

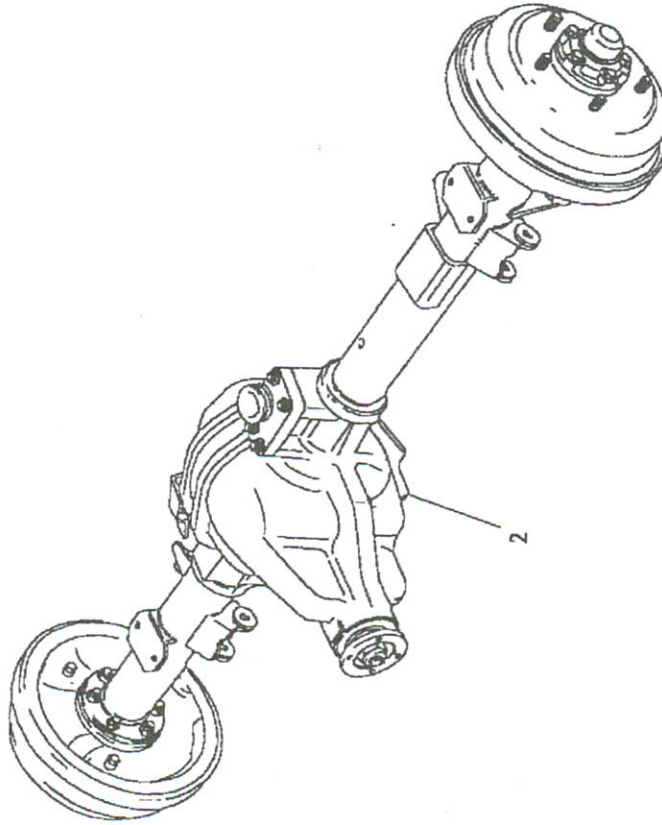
Model DEFENDER 110 1987 onwards
 Page AFEXEA1A

1 -----
 REAR AXLE - REAR AXLE ASSEMBLY

Ill. Part No.	Description	Qty	Remarks
Vehicles with front disc and rear drum brakes			
Upto VIN 930434 - 110, 930545 - 130			
1	FTC2352 Axle assembly rear	1	21S
2	FTC3721 Housing assembly	1	Note(1)
1	FTC2353 Axle assembly rear	1	Note(2)
2	FTC2212 Housing assembly	1	Note(1)

Note(1)
 Note(2)

Axle assembly rear, less axle shafts, hubs and brakes.
 Heavy duty 3.54 ratio axle 24S suffix B, Defender 110 over 3050kg and all Defender 130

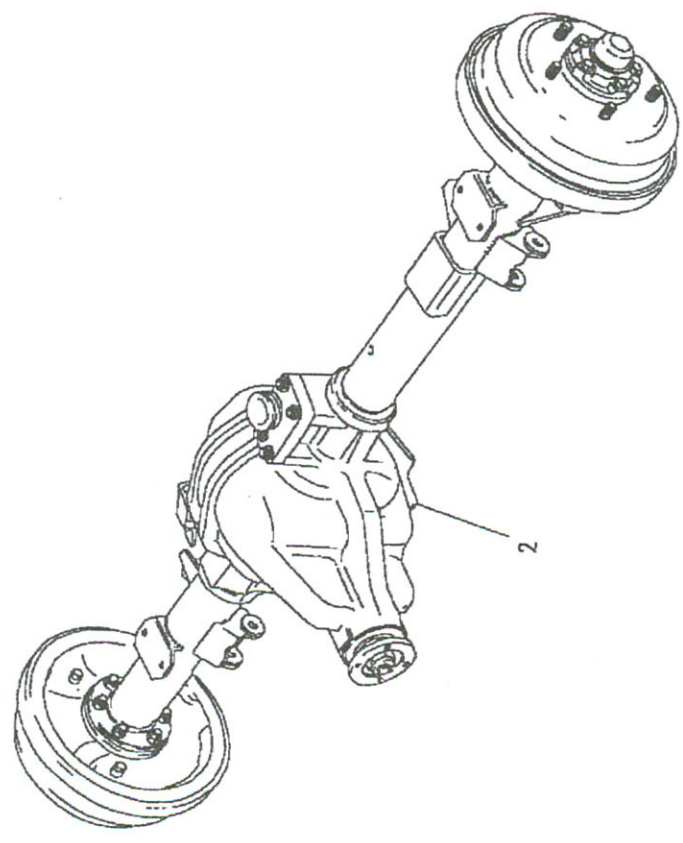




Model DEFENDER 110 1987 onwards
Page AFE XEA1A

REAR AXLE - REAR AXLE ASSEMBLY

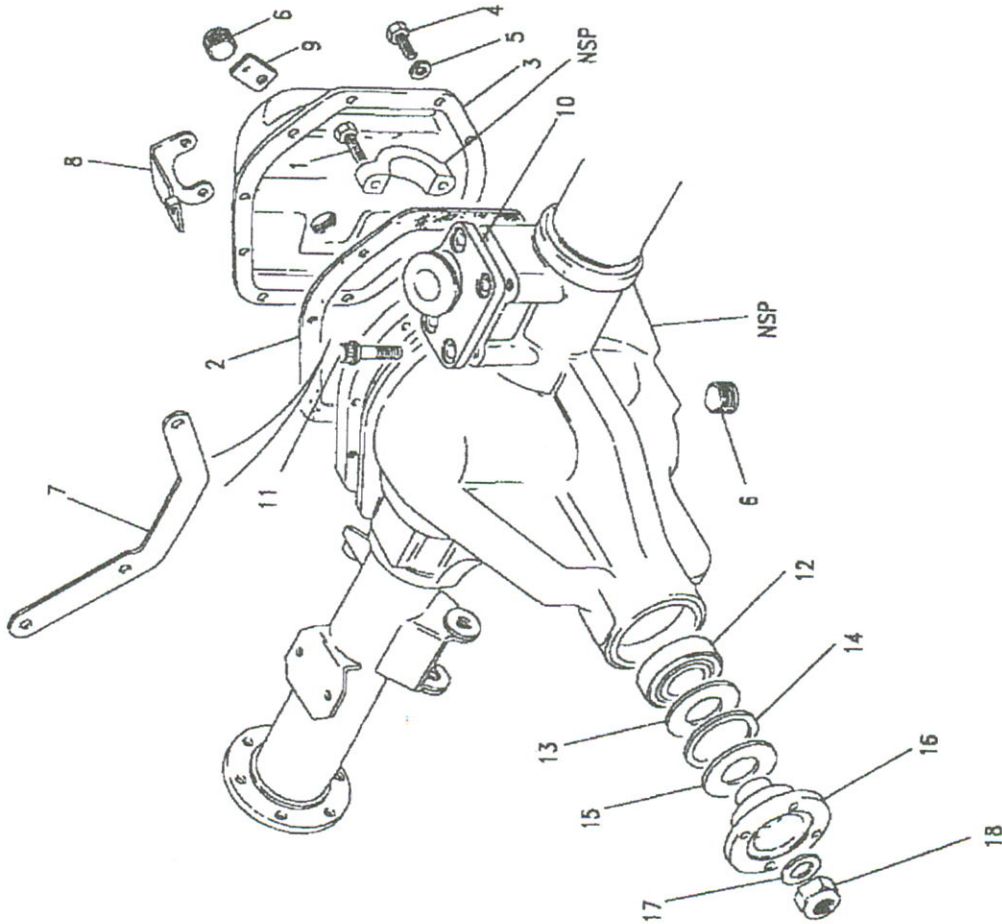
Ill. Part No.	Description	Qty	Remarks
Vehicles with front and rear disc brakes			
Defender 110 - 4 Cylinder - From VIN LA930435			
1	FTC3304 Axle assembly rear	1	39S
2	FTC3721 Housing assembly	1	
Defender 110 - V8 - From VIN LA930435			
1	FTC3304 Axle assembly rear	1	39S
2	FTC3721 Housing assembly	1	
Defender 110 V8 Heavy Duty - From VIN LA930435			
1	FTC3232 Axle assembly rear	1	38S
2	FTC3722 Housing assembly	1	
Defender 130 - From VIN LA930546			
1	FTC3232 Axle assembly rear	1	38S
2	FTC3722 Housing assembly	1	



Model DEFENDER 110 1987 onwards
Page AFEXEC1A

REAR AXLE - AXLE CASE REAR

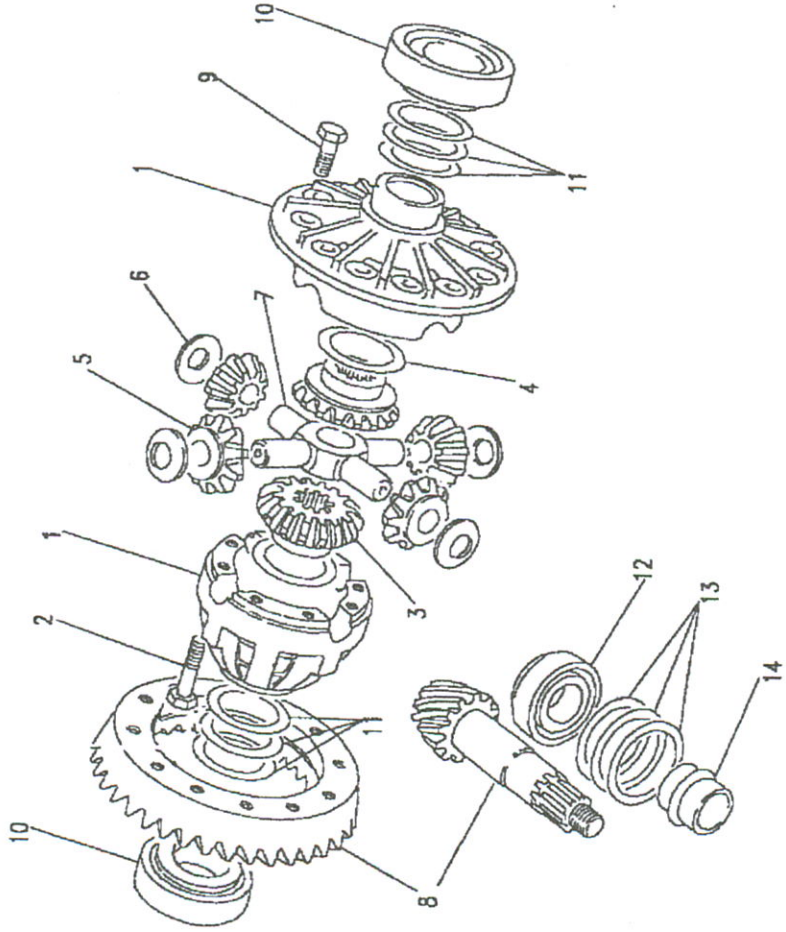
Ill. Part No.	Description	Qty	Remarks
1	Bolt-diff bearing cap	4	
2	Gasket	1	
3	Cover	1	
4	Bolt	10	
5	Lock washer	10	
6	Filter/drain plug	2	
7	Flitch	1	
8	Bracket-3 way	1	
9	Plate-brake pipe	1	
10	Bracket-ball joint	1	
11	Special bolt	4	
12	Bearing pinion	1	
13	Oil thrower	1	
14	Gasket	1	
15	Oil seal	1	
16	Flange	1	
17	Washer	1	
18	Lock nut	1	



Model DEFENDER 110 1987 onwards
 Page AFEXEE1A

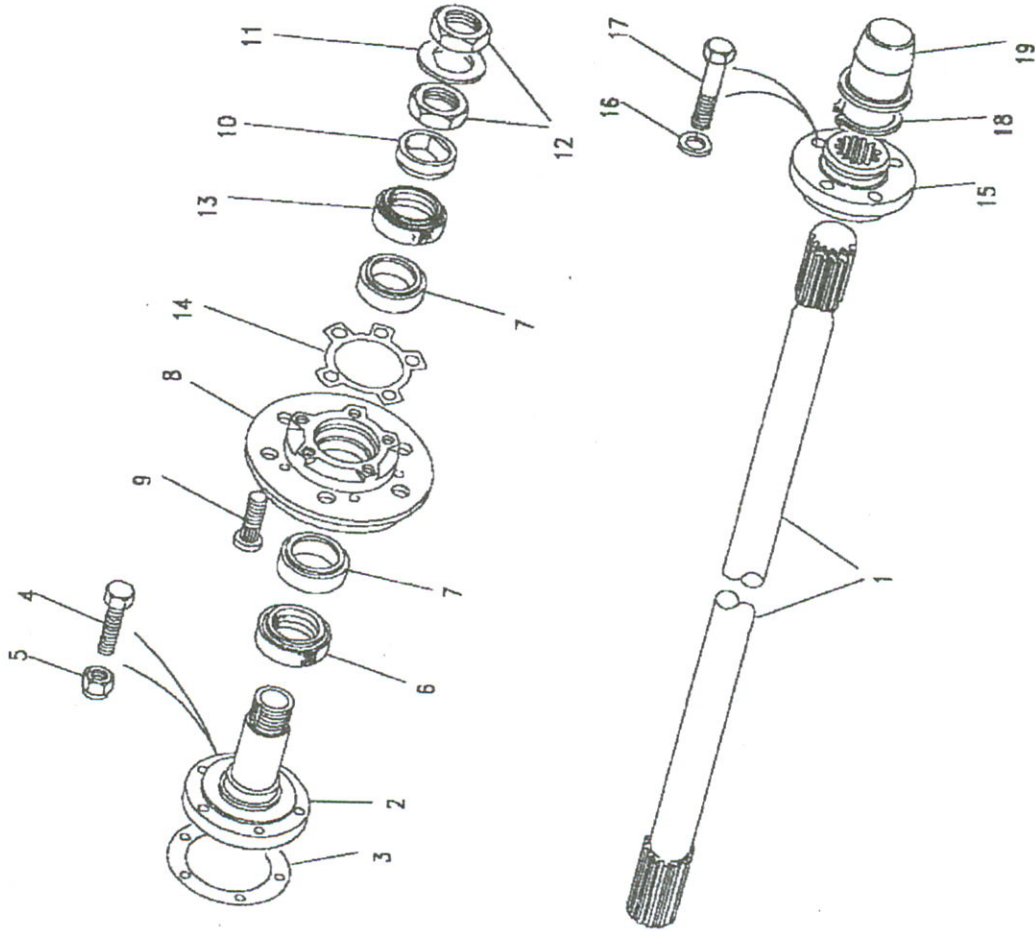
REAR AXLE - DIFFERENTIAL

Ill. Part No.	Description	Qty	Remarks
1	AEU1489	1	
2	607165	8	Case differential
3	RTC4488	1	Bolt
4	607166	2	Kit gear differential
5	607169	2	Differential gear
6	607167	4	Washer thrust
7	607168	4	Differential wheel
8	90607170	4	Washer thrust
9	AEU1488	1	Cross shaft
10	RTC773	1	Crownwheel and pinion
11	607187	12	Bolt
12	607188	2	Bearing differential
13	607189	2	Shim 0.003"
14	607190	2	Shim 0.005"
15	607191	2	Shim 0.010"
16	607192	2	Shim 0.030"
17	607180	1	Bearing pinion
18	607177	1	Shim 0.003"
19	607178	2	Shim 0.005"
20	607179	2	Shim 0.010"
21	607197	1	Spacer collapsible



Model DEFENDER 110 1987 onwards
Page AFEXE11A

REAR AXLE - AXLE SHAFTS AND HUBS



Qty	Remarks
1	NLA use FTC3649
1	Asbestos free
2	
2	
2	
12	
12	
2	
2	From 21S10028C
2	From 24S00522A
4	
2	
10	
2	
4	
2	
2	
2	
2	
5	
10	
2	
2	

Qty Remarks

Description

Vehicles with front disc and rear drum brakes

Upto VIN 930434 - 110, 930545 - 130

1 FRC2454 Shaft drive rear RH

2 FRC2455 Shaft drive rear LH

3 FRC8540 Hub bearing sleeve

4 FRC3136 Joint washer

5 FTC3649 Joint washer

6 FRC7257 Bolt

7 NY110041L Nut nylon

8 FRC8221 Oil seal

9 FTC2783 Oil seal hub

10 FTC2783 Oil seal hub

11 RTC3429 Bearing

12 FRC8555 Hub assembly

13 FRC6137 Stud

14 FRC8227 Spacer

15 FRC8700 Lock nut

16 FRC8002 Locker

17 FRC8222 Oil seal

18 FRC3988 Joint washer

19 FRC5806 Driving member

20 WL110001L Washer spring

21 FC110107L Bolt

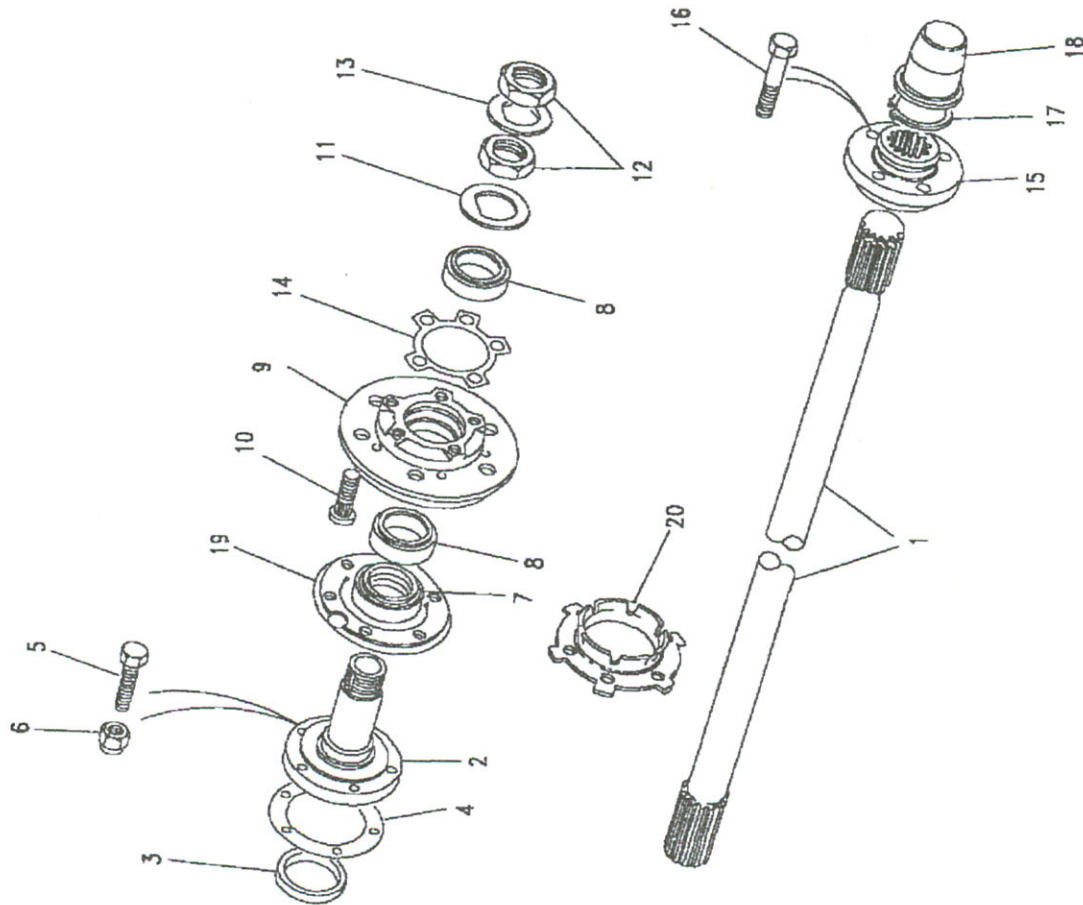
22 549473 Circlip

23 FRC4377 Hub cap

Model DEFENDER 110 1987 onwards
Page AFEXE12A

REAR AXLE - AXLE SHAFTS AND HUBS

Ill. Part No.	Description	Qty	Remarks
Vehicles with front and rear disc brakes			
From VIN LA930435 - 110, LA930546 - 130			
1	FTC1724 Shaft axle RH	1	
2	FTC1725 Shaft axle LH	1	
3	FTC1740 Axle stub	2	
4	FRC3145 Oil seal	2	
4	FRC3136 Joint washer	2	NLA use FTC3649
5	FTC3649 Joint washer	2	Asbestos free
5	BX110111L Bolt fixing	8	
	SX1110301 Screw	4	
	BX110071L Bolt M10	4	Note(1)
6	NY110041L Nut	4	
7	FTC2783 Oil seal hub	12	
8	RTC3429 Bearing	2	
9	FTC942 Hub assembly	4	
10	FRC3926 Stud	2	
11	FTC3185 Washer stub axle	10	
12	FRC8700 Nut stub axle	2	
13	FTC3179 Lockwasher	4	
14	571752 Joint washer	2	
15	FTC859 Hub driving member	2	
16	BX110095M Bolt m/encapsulated	2	Note(2)
17	549473 Circlip	10	
18	FTC943 Cap hub	2	
19	FTC1378 Mudshield Stub Axle	2	
20	FRC2310 Plate locking	2	



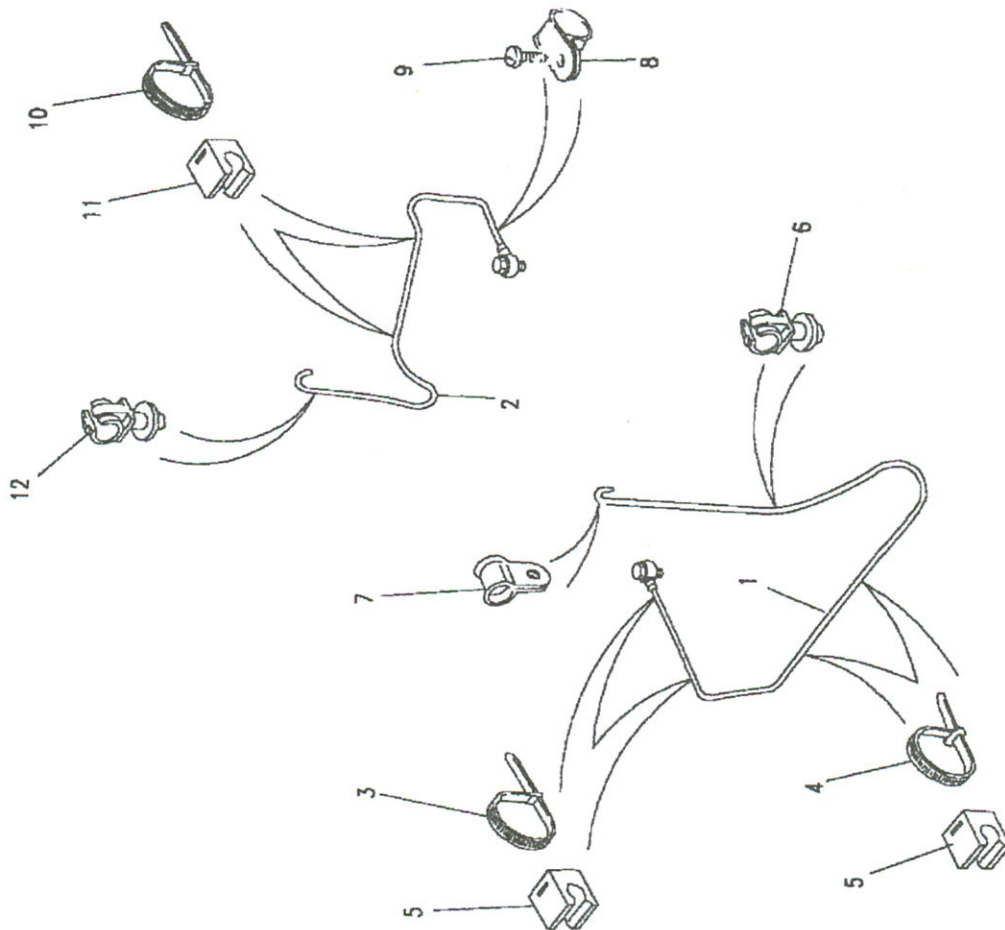
Note(1) Alternative if SX110301 is too short.
 Note(2) Pre-impregnated with adhesive.



Model DEFENDER 110 1987 onwards
Page AFEXGA1A

AXLES - REMOTE BREATHERS

Ill. Part No.	Description	Qty	Remarks
Vehicles with front disc and rear drum brakes			
Upto VIN 930434 - 110, 930545 - 130			
1	FTC2175 Breather remote front	1	
	595478 Banjo bolt	1	
	232039 Copper washer	2	
2	FTC2176 Breather remote rear	1	
	595478 Banjo bolt	1	
	232039 Copper washer	2	
Fixings for front breather			
3	594594 Tie	2	
4	568680 Cleat	2	
5	NRC9246 Clip	4	
6	79123 Clip	1	
7	BAU1689 Clip	1	
Fixings for rear breather			
8	ATU1017L Clip	1	
9	79004 Screw	1	
10	568680 Cleat	2	
11	NRC9246 Clip	2	
12	79123 Clip	1	

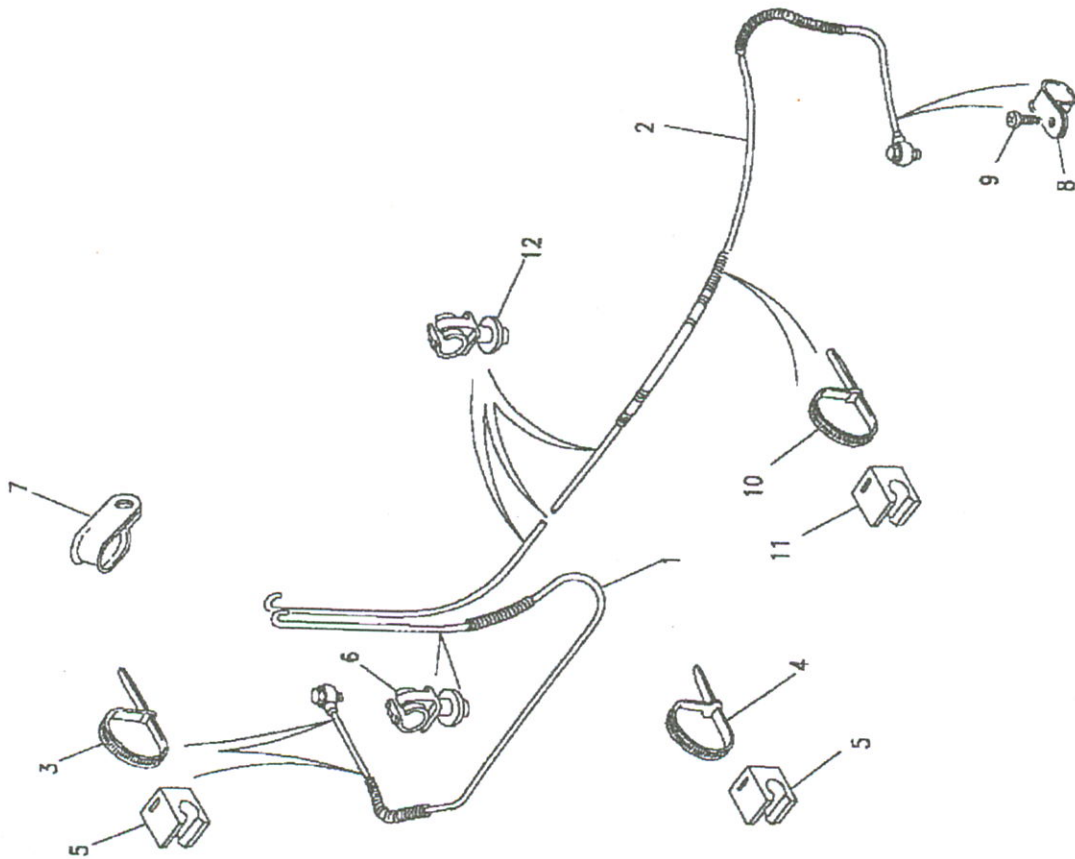




Model DEFENDER 110 1987 onwards
Page AFEXGA2A

AXLES - ALTERNATIVE REMOTE BREATHERS

Ill. Part No.	Description	Qty	Remarks
Vehicles with front disc and rear drum brakes			
Upto VIN 930434 - 110, 930545 - 130			
1	Breather remote front	1	Upto HA473072
	Breather remote front	1	From HA473073
	Banjo bolt	1	
	Copper washer	2	
2	Breather remote rear	1	Upto HA473072
	Breather remote rear	1	From HA473073
	Banjo bolt	1	
	Copper washer	2	
Fixings for front breather			
3	Tie	2	
4	Cleat	2	
5	Clip	4	
6	Clip	1	
7	Clip	1	
Fixings for rear breather			
8	Clip	1	
9	Screw	1	
10	Cleat	2	
11	Clip	2	
12	Clip	3	

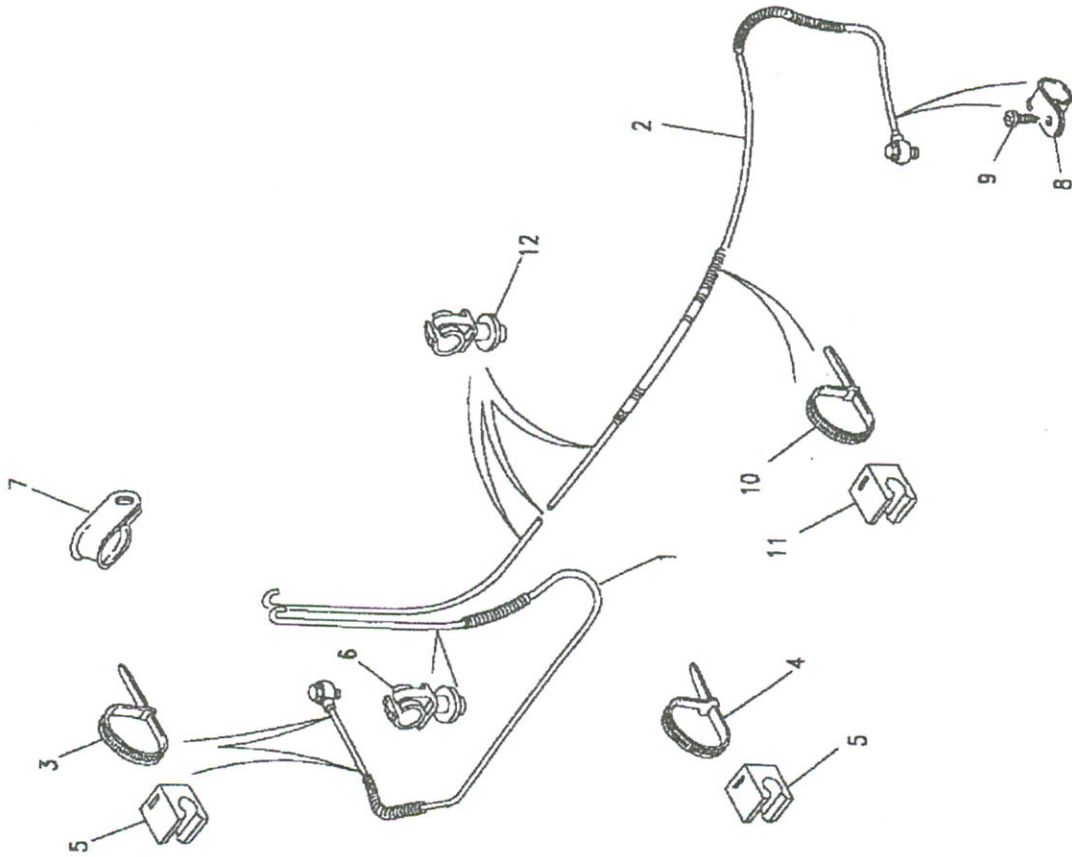




Model DEFENDER 110 1987 onwards
Page AFEXGA3A

AXLES - REMOTE BREATHERS

Ill. Part No.	Description	Qty	Remarks
Vehicles with front and rear disc brakes			
From VIN LA930435 - 110, LA930546 - 130			
1	FTC2177 Breather remote front	1	
	595478 Banjo bolt	1	
	FTC3904 Copper washer	2	
2	FTC2178 Breather remote rear	1	Up to LA937639
	FTC3904 Breather remote rear	1	From LA937640
	595478 Banjo bolt	1	
	FTC3904 Copper washer	2	
Fixings for front breather			
3	594594 Tie	2	
4	568680 Cleat	2	
5	NRC9246 Clip	4	
6	79123 Clip single	1	
7	622324 Clip	1	
Fixings for rear breather			
8	ATU1017L Clip	1	
9	79004 Screw	1	
10	568630 Cleat	2	
11	NRC9246 Clip	2	
12	79123 Clip	3	





DEFENDER 110 1987 onwards

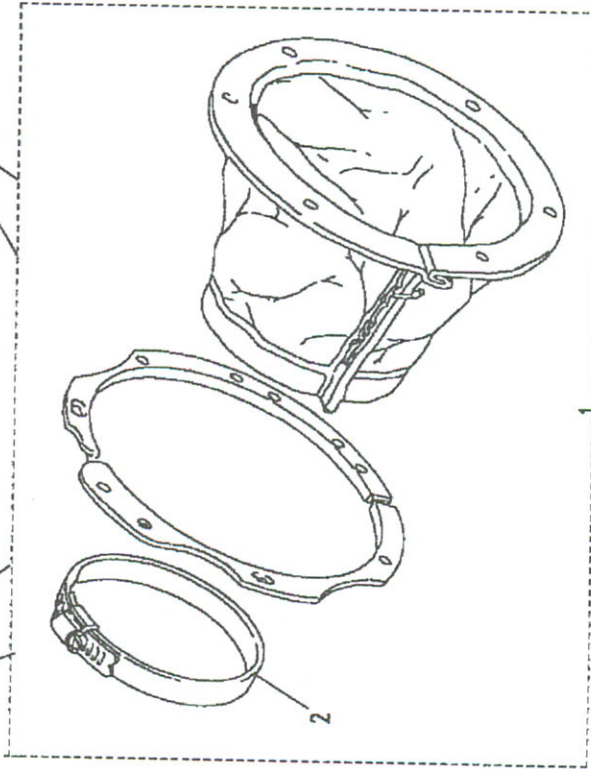
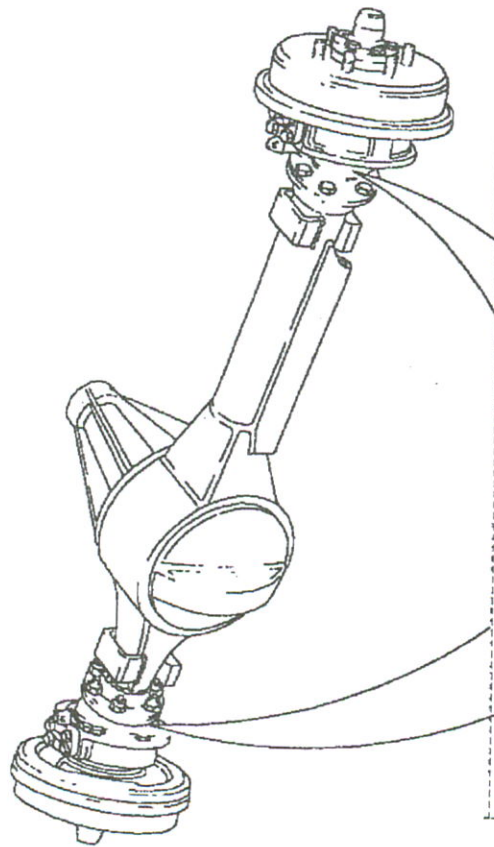
432

AXLES AND SUSPENSION

Model DEFENDER 110 1987 onwards
Page AFEXGC1A

FRONT AXLE - GAITER KIT

III. Part No.	Description	Qty	Remarks
1	Only used up to VIN LA930434 RTC3826 Kit gaiter	1	
2	RTC3519 Clip hose	2	



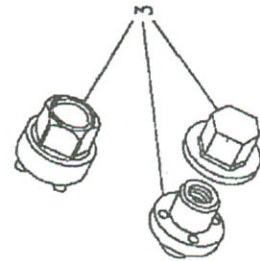
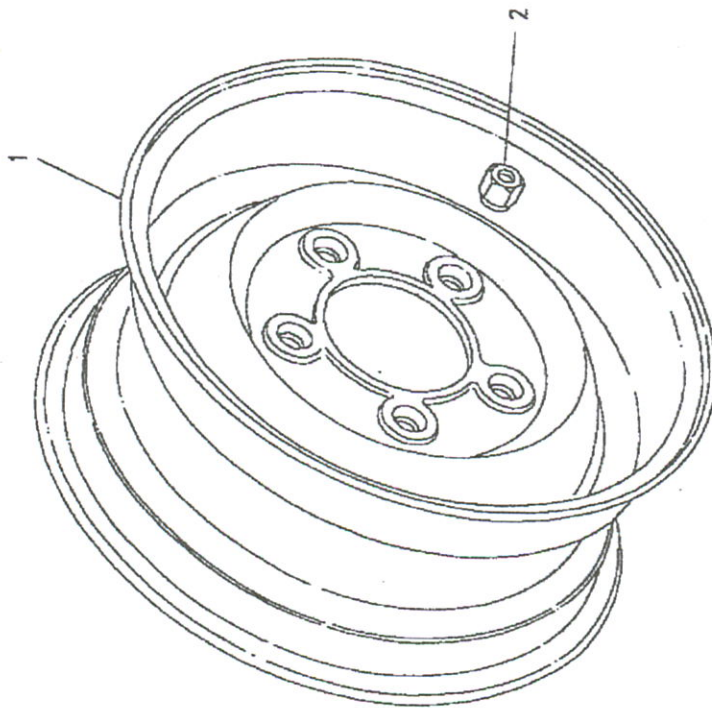


Model DEFENDER 110 1987 onwards
Page AFEXGE1A

AXLES - ROAD WHEEL

Ill. Part No.	Description	Qty	Remarks
Defender 110 1 NRC7578PM	Wheel road	5	Note(1)
Defender 130 1 ANR1534PM	Wheel road	5	Note(2)
Defender 110 and 130 2 90577473 3 RTC9535	Wheel nut 16mm Wheel nut locking	20 1	Set of 5

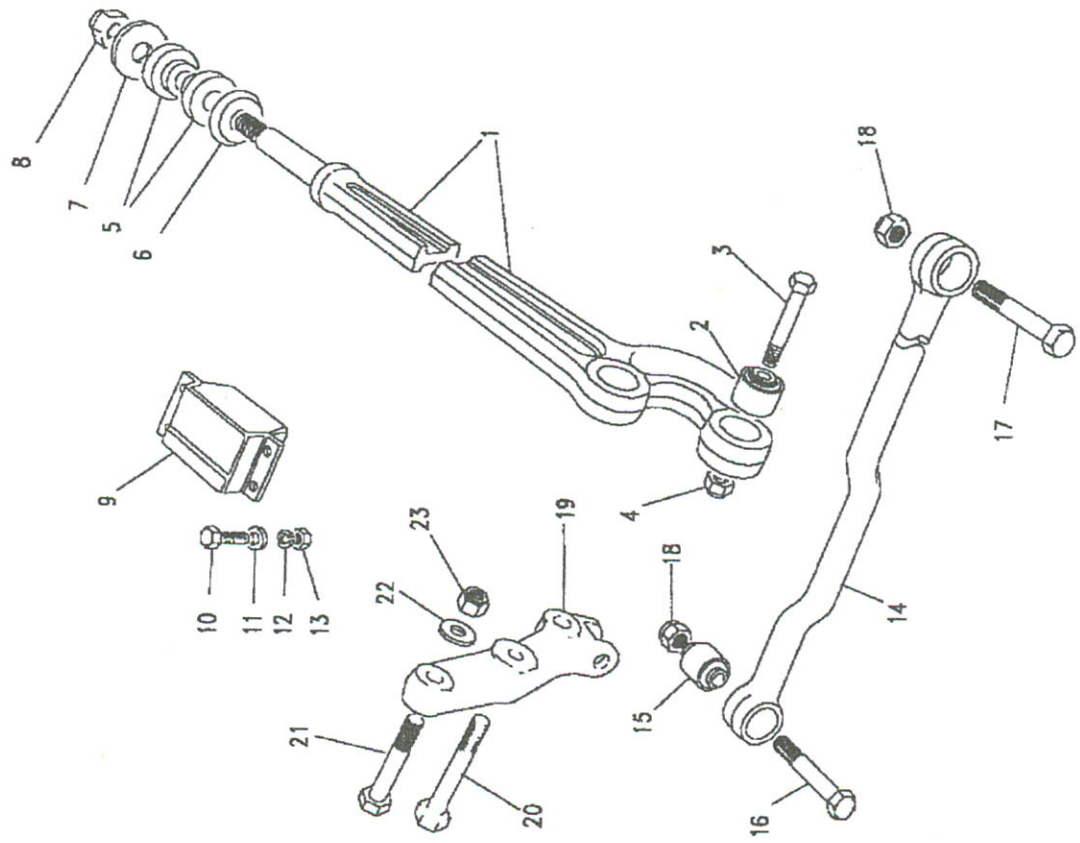
Note(1) 5.5F x 16 x 33mm inset
Note(2) 6.5L x 16 x 20.6mm inset



Model DEFENDER 110 1987 onwards
Page AFEXIA1A

FRONT SUSPENSION - RADIUS ARM & LINKS

Ill. Part No.	Description	Qty	Remarks
Defender 110			
1	NTC2705 Arm radius	2	Note(1)
	NTC7331 Arm radius	2	Note(2)
2	NTC7307 Bush	4	Note(1)
	NTC6781 Bush	4	Note(2)
3	BH610281L Bolt	4	Note(1)
	BX116201L Bolt	4	Note(2)(3)
	BH116207 Bolt	4	Note(4)
4	NY610041 Nut nyloc	4	Note(1)
	NY116051L Nut nyloc	4	Note(2)(3)
	NV116047 Nut nyloc	4	Note(4)
Defender 130			
1	NTC2705 Arm radius	2	Note(1)
	NTC7331 Arm radius	2	Note(2)
2	NTC7307 Bush	4	Note(1)
	NTC6781 Bush	4	Note(2)
3	BH610281L Bolt	4	Note(1)
	BX116201L Bolt	4	Note(2)(3)
	BH116207 Bolt	4	Note(4)
4	NY610041 Nut nyloc	4	Note(1)
	NY116051L Nut nyloc	4	Note(2)(3)
	NV116047 Nut nyloc	4	Note(4)
5	NRC4514 Bush	4	
6	NRC4515 Washer dished	2	



Note(1) Up to LA930434
Note(2) From LA930435
Note(3) Up to LA944441
Note(4) From LA944442



Model DEFENDER 110 1987 onwards
Page AFEXIA1A

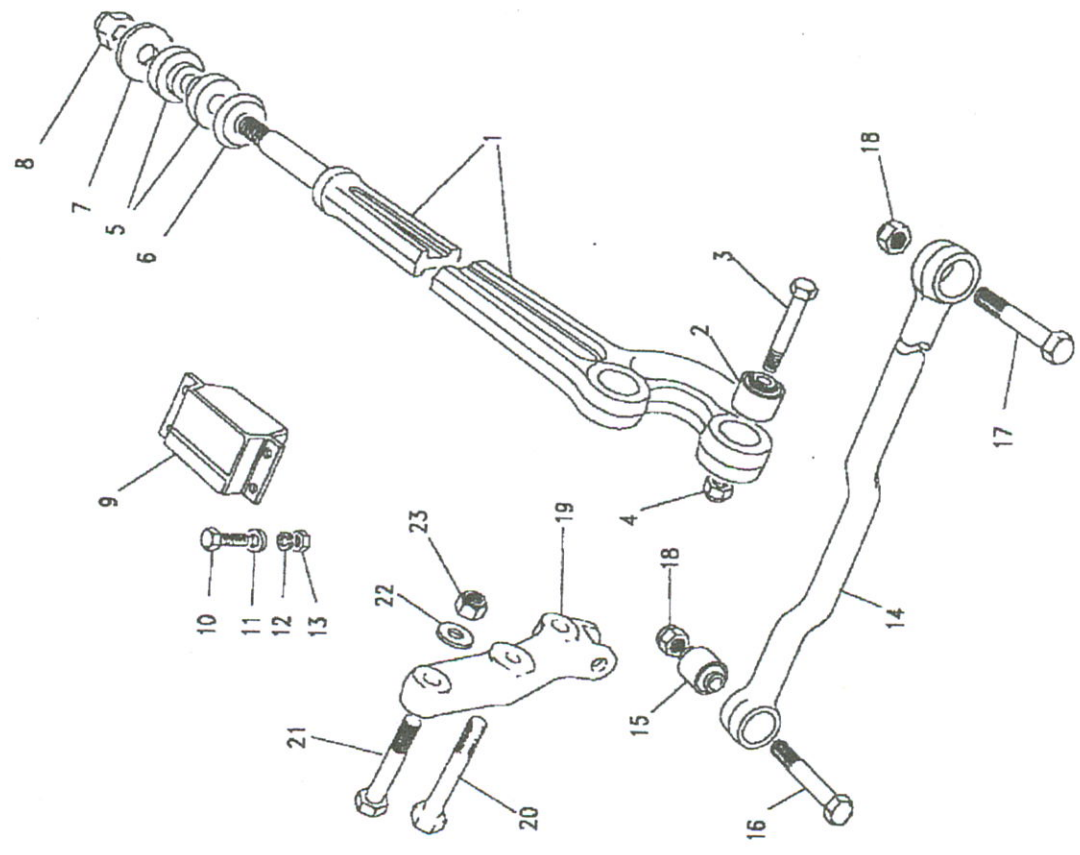
FRONT SUSPENSION - RADIUS ARM & LINKS

Ill. Part No.	Description	Qty	Remarks
7	Washer plain	2	
8	Nut nyloc	2	
9	Bump stop	2	
10	Screw	4	
11	Washer plain	4	
12	Washer spring	4	
13	Nut	4	
14	Rod panhard	1	
15	Bush rubber	2	Upto MA941556
16	Bush rubber	2	From MA941557
17	Bolt	1	Note(1)
18	Bolt	1	Note(2)
19	Bolt	1	Note(1)
20	Nut nyloc	1	Note(2)
21	Nut nyloc	2	Note(1)
22	Arm mounting RH RHD	2	Note(2)
23	Arm mounting LH LHD	1	
	Bolt	1	
	Bolt	1	
	Washer plain	1	
	Nut	2	
	Spacer bump stop front LH	1	
	Bolt	2	
	Washer plain	2	
	Washer spring	2	
	Nut	2	

Defender 130 3500Kg

- RRC2281
- FB108101
- WA108051L
- WL108001L
- FN108041L

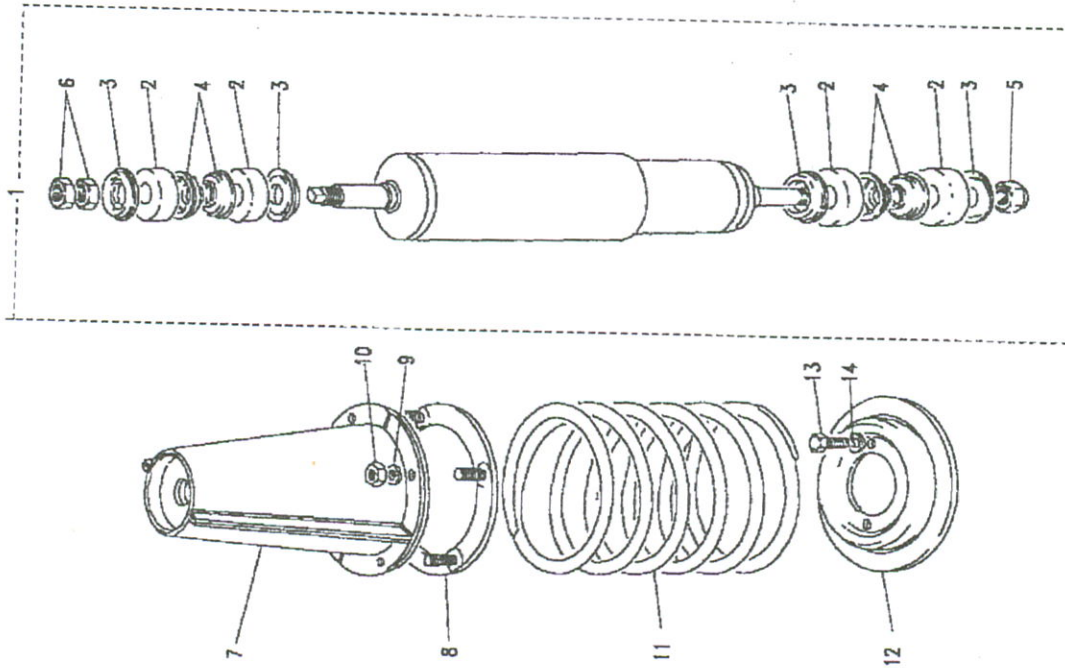
Note(1) Upto LA944441
Note(2) From LA944442



Model DEFENDER 110 1987 onwards
 Page AFEXIC1A

FRONT SUSPENSION - SHOCK ABSORBERS & ROAD SPRING

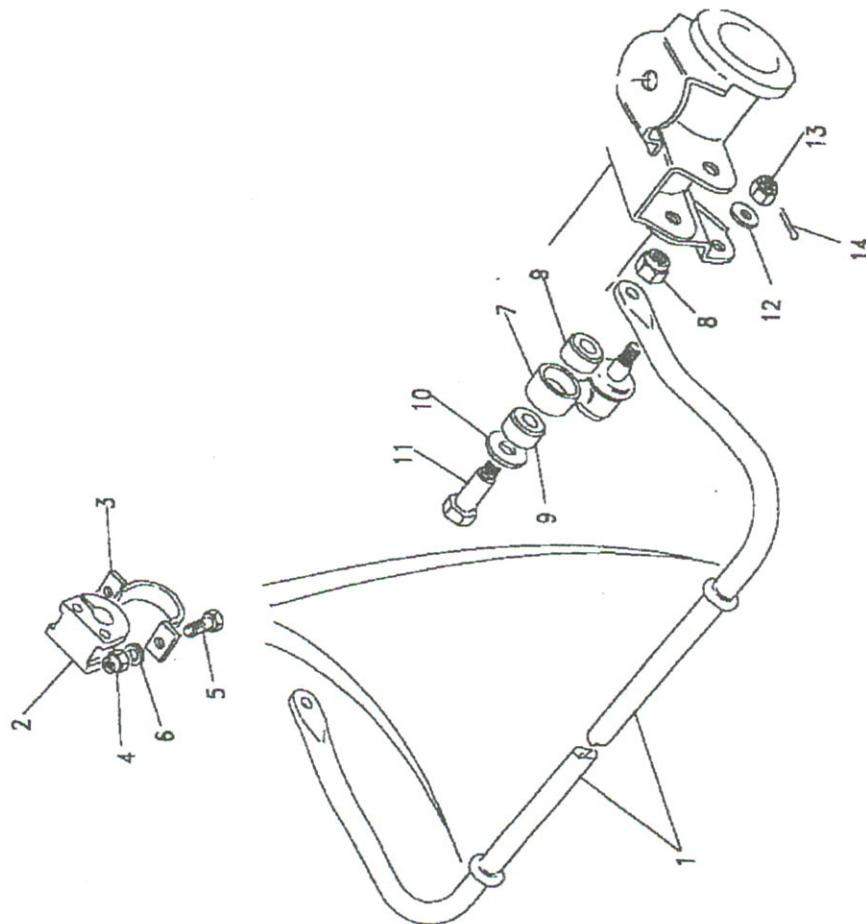
Ill. Part No.	Description	Qty	Remarks
1	RTC4637 Kit shock absorber	2	Upto VIN HA475249
2	STC290 Kit shock absorber	2	From VIN HA475250
3	552818 Cushion rubber	8	
4	500746 Washer retaining	8	
5	NRC4365 Washer guide	8	
6	NY608041L Nut nyloc	2	Upto VIN HA475249
	NV608041L Nut	2	Alternative
	NT608041L Lock nut	4	Upto VIN HA475249
	NTC4571 Nut	4	Upto VIN HA475249
7	NRC6372 Bracket-shock absorber	4	Upto VIN HA475249
8	572087 Ring securing	2	Upto VIN HA475249
9	WM600051L Washer spring	2	From VIN HA475250
10	NH605041L Nut	8	
		8	
Defender 110			
11	NRC8044 Spring front driver	1	Standard
	NRC8045 Spring front passenger	1	Standard
	NRC9448 Spring front driver	1	Heavy Duty
	NRC9449 Spring front passenger	1	Heavy Duty
Defender 130			
11	NRC9448 Spring front driver	1	
	NRC9449 Spring front passenger	1	
12	NRC9700 Seat spring	2	
13	SH110251L Screw	4	
14	WM110001L Washer spring	4	



Model DEFENDER 110 1987 onwards
Page AFEXIE1A

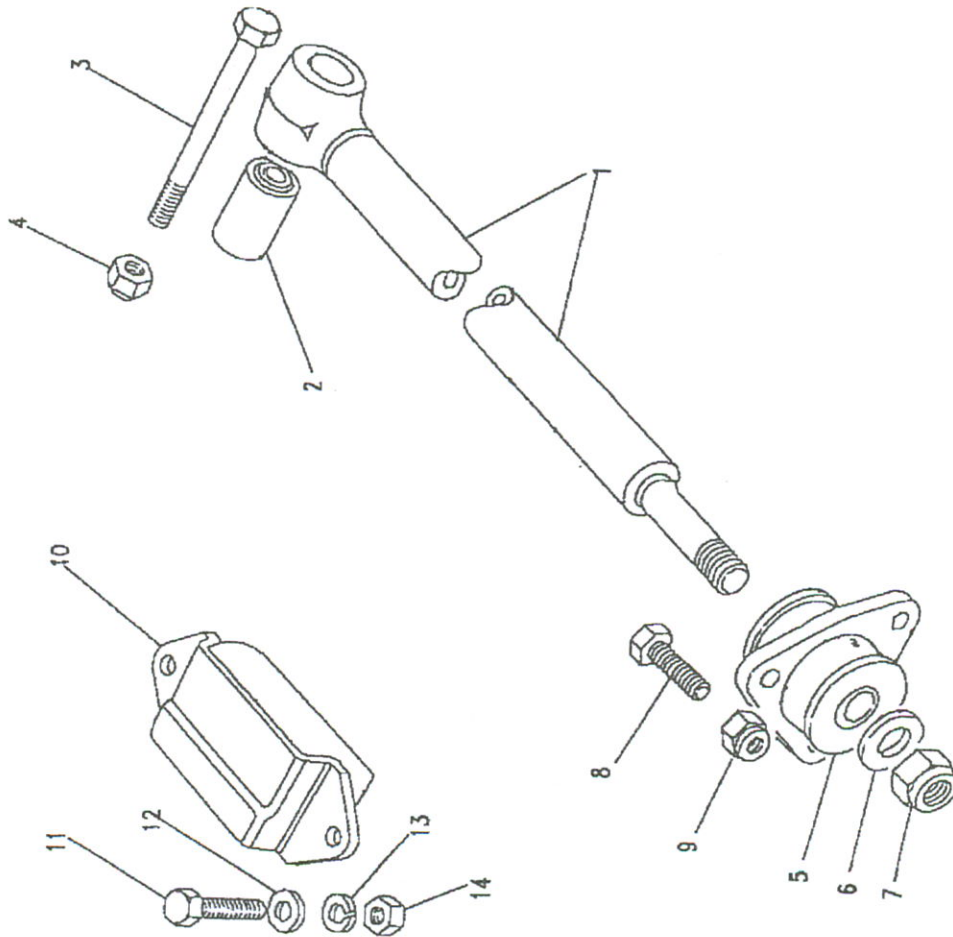
FRONT SUSPENSION - ANTI-ROLL BAR

Ill. Part No.	Description	Qty	Remarks
Defender 130 3500Kg			
1	NTC6837	1	Anti-roll bar front
2	NTC6828	2	Bush
3	NTC6776	2	Strap
4	NY110041L	4	Nut
5	SH110351L	4	Screw
6	WA110061L	4	Washer
7	NTC1888	4	Ball joint assembly
8	NV116041	2	Nut
9	552819	4	Bush
10	264024	2	Washer plain
11	NTC8202	2	Pin
12	WC112081L	2	Washer plain
13	NC112041	2	Nut
14	PS105251	2	Pin split



Model DEFENDER 110 1987 onwards
 Page AFEXKA1A

REAR SUSPENSION - BOTTOM LINK



Ill. Part No.	Description	Qty	Remarks
1	Link bottom (solid)	2	Note (1)
2	Link bottom (hollow)	2	From VIN HA470437
3	Bush	2	
4	Bolt	2	
5	Nut	2	
6	Kit mounting rubber	1	
7	Mounting rubber	1	Upto VIN JA910738
8	Washer plain	2	From VIN JA910739
9	Nut nyloc	2	
10	Bolt	2	
11	Nut nyloc	6	
12	Bump stop	6	
13	Screw	2	
14	Washer plain	4	
	Washer spring	4	
	Nut	4	

Note(1)

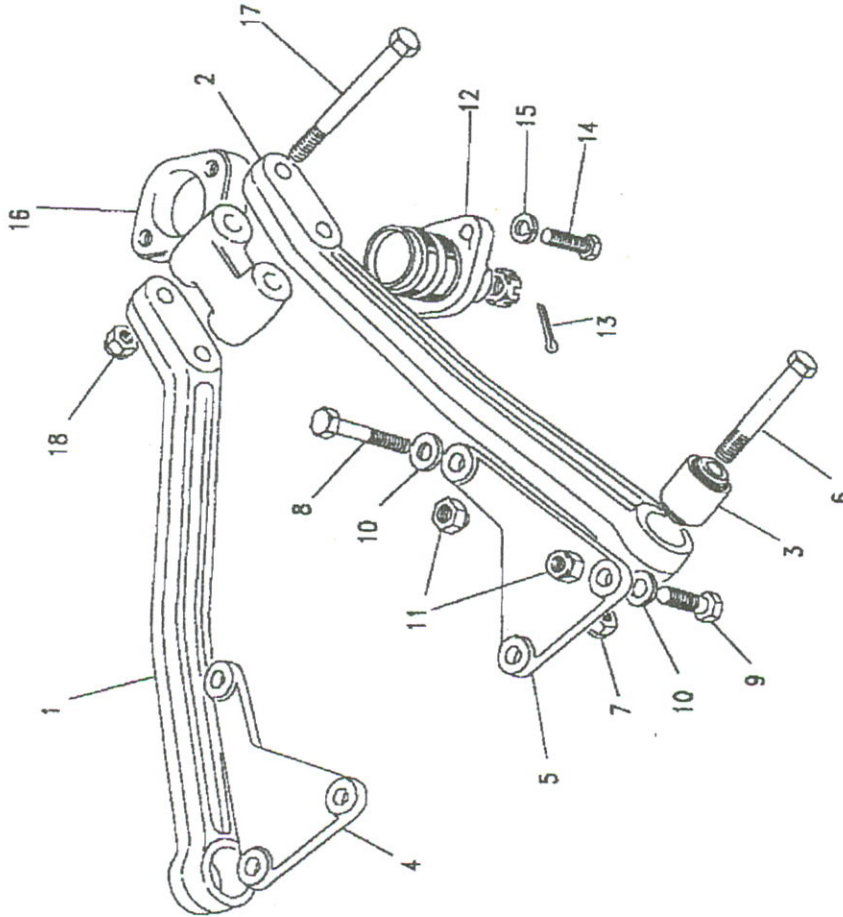
Upto VIN HA470436 - No longer available - use NTC8328 which must be fitted in pairs

Model DEFENDER 110 1987 onwards
 Page AFEXKA2A

REAR SUSPENSION - TOP LINK, FULCRUM, BALL JOINT

Ill. Part No.	Description	Qty	Remarks
16	Bracket fulcrum	1	Note(1)(Imperial) Upto VIN KA930263
ANR3037	Bracket fulcrum	1	Note(1)(Metric) From VIN KA930264
17	Bolt	2	
18	Nut nyloc	2	

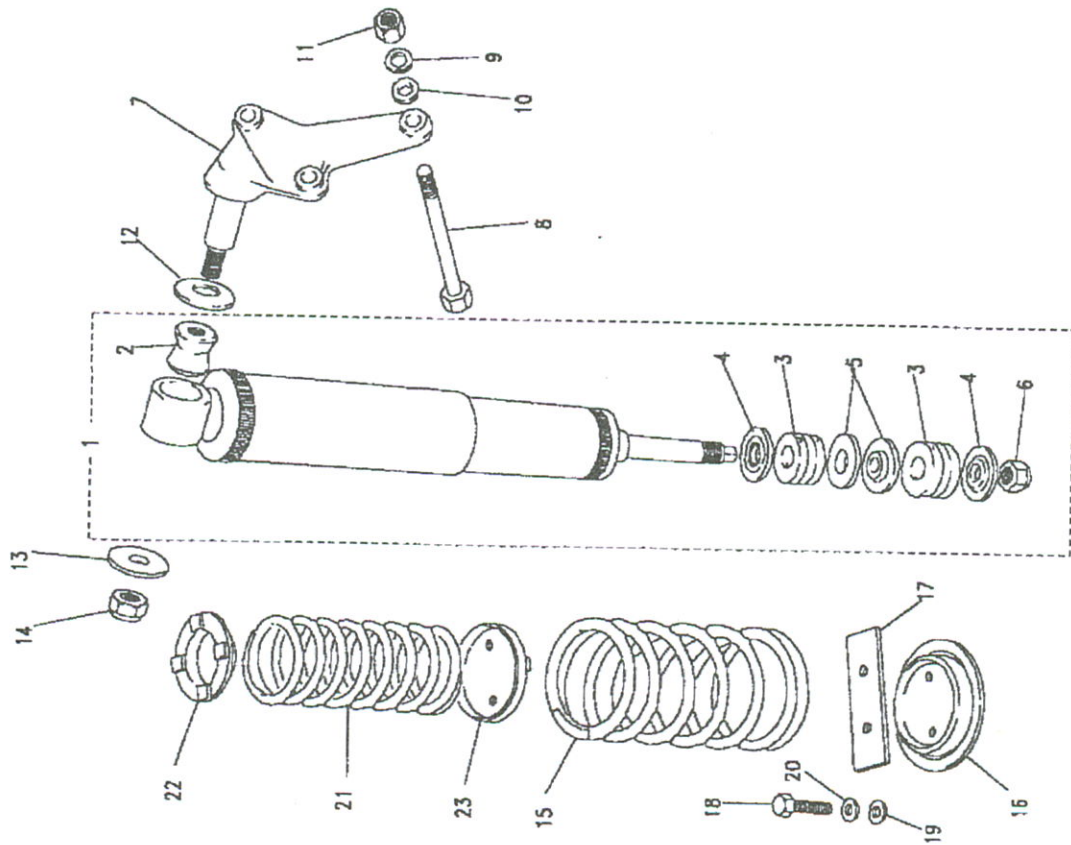
Note(1) Not fitted with self levelling unit.



Model DEFENDER 110 1987 onwards
Page AFEXKC1A

REAR SUSPENSION - SHOCK ABSORBER & ROAD SPRING

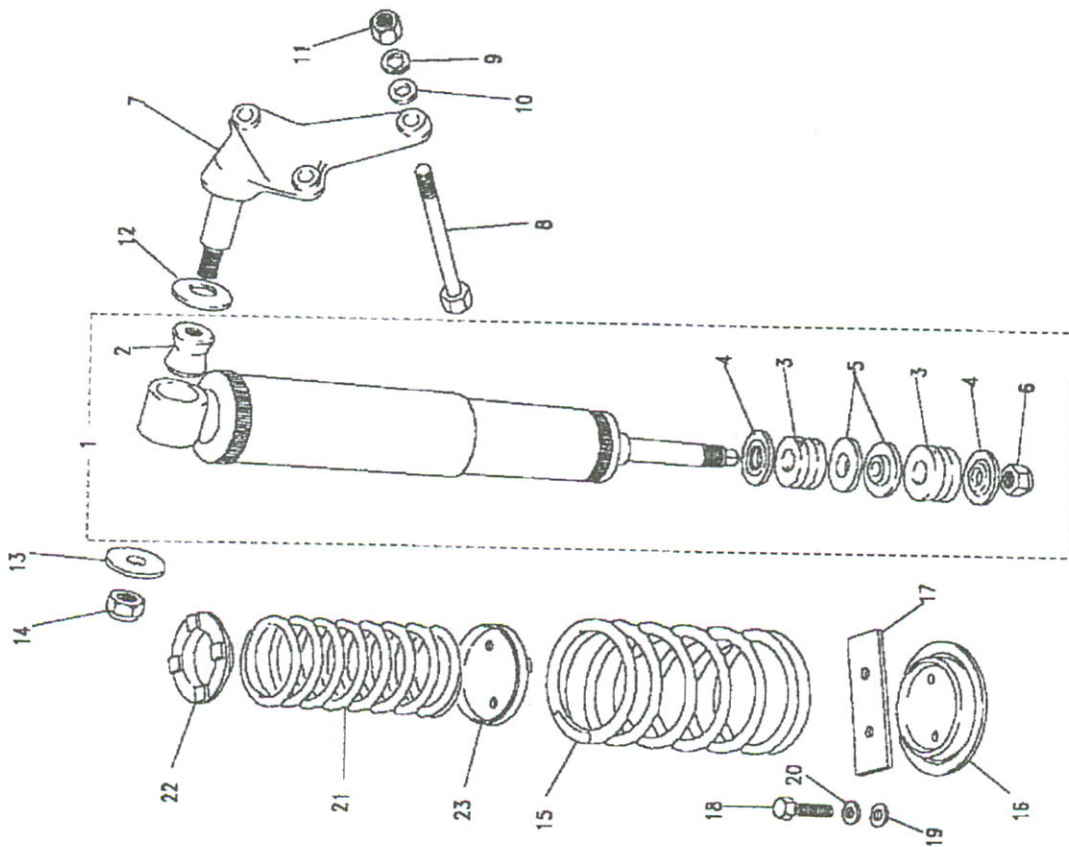
Ill. Part No.	Description	Qty	Remarks
Levelled suspension			
1 RTC4638	Kit shock absorber	2	Upto VIN HA473822
STC291	Kit shock absorber	2	From VIN HA473823
Non levelled suspension			
1 RTC4639	Kit shock absorber	2	Upto VIN HA478284
STC292	Kit shock absorber	2	From VIN HA478285
Defender 130 3500Kg			
1 STC293	Kit shock absorber	2	Heavy Duty
2 NRC5593	Bush rubber	2	
3 552818	Cushion rubber	4	
4 500746	Washer retaining	4	
5 NRC6235	Washer guide	4	
6 NY608041L	Nut	4	
NV608041L	Nut	2	Use on RTC4638/39
NTC4571	Nut	2	Alternative
7 NRC7981	Bracket shock absorber	2	
8 BH110221L	Bolt	6	
9 WM110001L	Washer spring	6	
10 WC110061L	Washer plain	6	
11 NH110041L	Nut	6	
12 NRC5602	Retainer inner	6	
13 NRC5603	Retainer outer	2	
14 NY112041L	Nut	2	



Model DEFENDER 110 1987 onwards
 Page AFEXKC1A

REAR SUSPENSION - SHOCK ABSORBER & ROAD SPRING

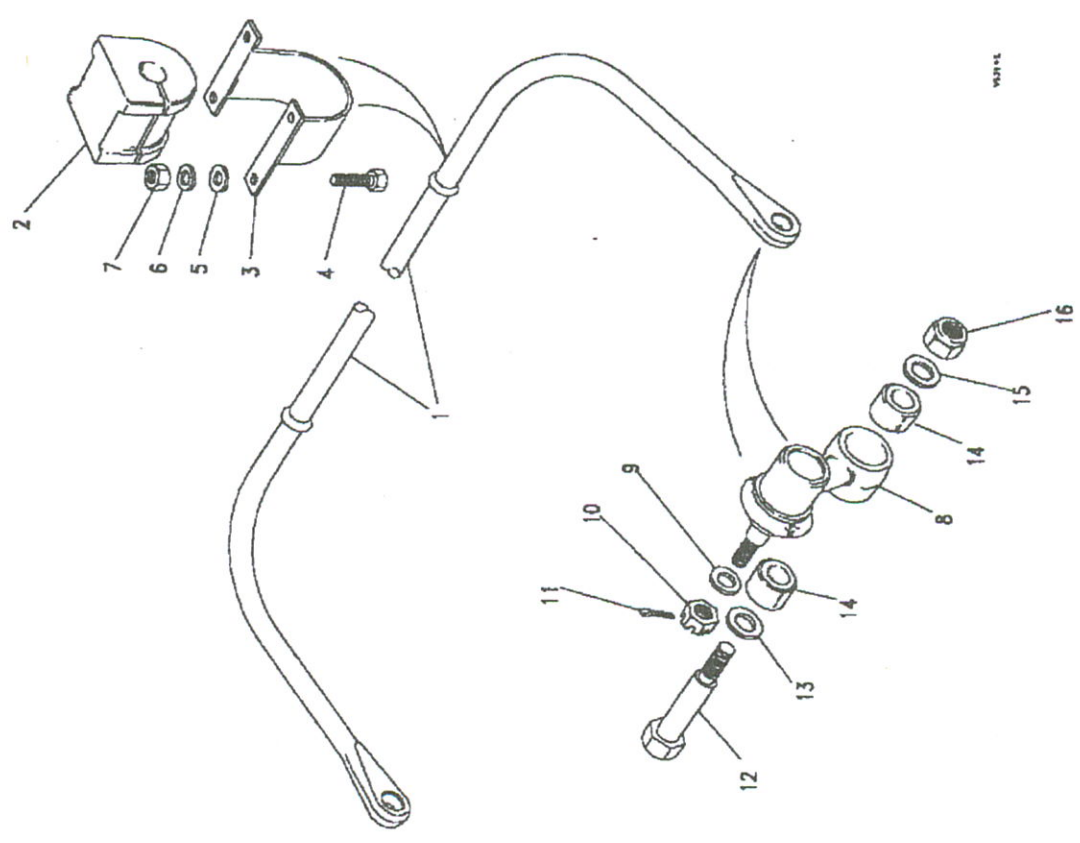
Ill. Part No.	Description	Qty	Remarks
Defender 110 - Levelled Suspension			
15 NRC6388	Spring rear driver	1	Standard
NRC7000	Spring rear passenger	1	Standard
Defender 110 - Non Levelled Suspension			
15 NRC6389	Spring rear driver	1	Heavy duty
NRC6904	Spring rear passenger	1	Heavy duty
Defender 130			
15 NRC6389	Spring rear driver	1	
NRC6904	Spring rear passenger	1	
16 NRC4317	Seat	2	
17 NRC4318	Retainer	2	
18 SH110251L	Screw	4	
19 WA110061L	Washer plain	8	
20 WM110001L	Washer spring	4	
Defender 130 - 3500kg			
21 RRC3266	Helper spring	2	
22 RRC3352	Retainer upper	2	
23 RRC3355	Retainer lower	2	
18 FS110301L	Screw	4	
19 WA110001L	Washer plain	4	





Model DEFENDER 110 1987 onwards
Page AFEXKE1A

REAR SUSPENSION - ANTI ROLL BAR



Ill. Part No.	Description	Qty	Remarks
1	Anti roll bar	1	
2	Bush	2	
3	Strap	2	
4	Screw	8	
5	Washer plain	8	
6	Washer spring	8	
7	Nut	8	
8	Ball joint and link assy	2	
9	Washer	2	
10	Nut	2	
11	Pin split	2	
12	Pin-anti roll bar	2	
13	Washer	2	
14	Bush	2	
15	Washer plain	2	
16	Nut	2	

Model DEFENDER 110 1987 onwards
 Page AFEXKG1A

REAR SUSPENSION - LEVELLING UNIT - OPTIONAL

Ill. Part No.	Description	Qty	Remarks
1	Leveling unit	1	
2	Ring spring	1	
3	Gaiter-upper	1	
4	Gaiter-lower	1	
5	Ring spring-large	1	
6	Ring spring-small	1	
7	Dirt seal	1	
8	Fulcrum bracket imperial	1	Upto VIN KA930263
9	Fulcrum bracket metric	1	From VIN KA930264
10	Housing	1	
11	Ball joint	2	
12	Bolt	4	
13	Washer	4	
14	Nut nyloc	4	
15	Strap	1	
16	Strap-additional	1	
17	Screw	1	
18	Washer spring	1	
19	Washer plain	1	
20	Nut	1	
21	Nutsert	1	
22	Washer spring	1	
	Flange screw	1	

