



MASTER INDEX

INTRODUCTION PAGES
ALPHABETICAL INDEX
ENGINE
ENGINE
ENGINE
ENGINE
ENGINE
ENGINE
GEARBOX
GEARBOX
TRANSFER BOX
TRANSFER BOX
AXLES AND SUSPENSION
STEERING
VEHICLE AND ENGINE CONTROLS
BRAKES
FUEL SYSTEM AND AIR CLEANER
EXHAUST SYSTEM
COOLING/HEATING
COOLING/HEATING
COOLING/HEATING
COOLING/HEATING
BODY ELECTRICAL
BODY AND CHASSIS
INTERIOR TRIM
SEATS
STOWAGE
ACCESSORIES - PAINTS
NUMERICAL INDEX

PAGES
1 - 7
8 - 16
17 - 66
67 - 119
120 - 166
167 - 209
210 - 245
246 - 299
300 - 326
327 - 344
345 - 359
360 - 378
379 - 397
398 - 444
445 - 471
472 - 486
487 - 517
518 - 579
580 - 593
594 - 637
638 - 641
642 - 649
650 - 655
656 - 666
667 - 740
741 - 909
910 - 955
956 - 1036
1037 - 1046
1047 - 1074
1076 - 1151

GROUP E

AXLES AND SUSPENSION

AXLES AND SUSPENSION
FRONT PROPSHAFT
REAR PROPSHAFT
FRONT AXLE ASSEMBLY
FRONT AXLE CASE
FRONT DIFFERENTIAL
DRIVE SHAFTS
SWIVEL PIN HOUSING
FRONT HUB
REAR AXLE ASSEMBLY
AXLE CASE REAR
DIFFERENTIAL
AXLE SHAFTS AND HUBS
REMOTE BREATHERS
ALTERNATIVE REMOTE BREATHERS
REMOTE BREATHERS
GAITER KIT
ROAD WHEEL
RADIUS ARM & LINKS
SHOCK ABSORBERS & ROAD SPRING
ANTI-ROLL BAR
BOTTOM LINK
TOP LINK, FULCRUM, BALL JOINT
SHOCK ABSORBER & ROAD SPRING
ANTI ROLL BAR
LEVELLING UNIT - OPTIONAL

399
400 - 401
402 - 403
404 - 405
406 - 413
414 - 416
417 - 419
420 - 422
423 - 424
425
426
427 - 428
429
430
431
432
433
434 - 435
436
437
438
439 - 440
441 - 442
443
444



Model DEFENDER 110 1987 onwards
Page AFEXAA1A

AXLES - FRONT PROPSHAFT

Ill. Part No.	Description	Qty	Remarks
Defender 110 & 130			
1	Propellor shaft front	1	Note(1)
FRC8390	Propellor shaft front	1	Note(2)(3)
FRC8386			
All Variants			
2	Universal joint	2	
3	Circlip	8	
4	Nipple grease	2	
5	Nipple grease	1	
6	Bolt	4	Note(3)
7	Nut	8	
8	Grommet assembly	1	

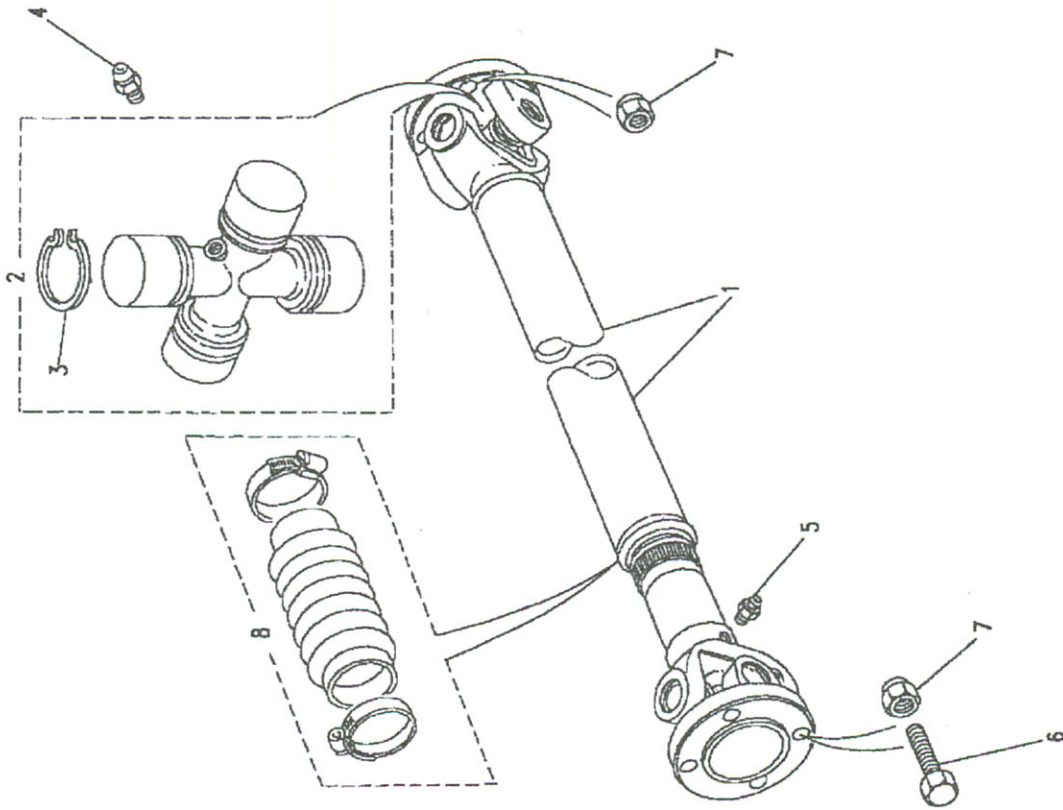
Note(1)
Note(2)
Note(3)
Note(4)

4 Cylinder

All V8

TDI from MA939976

Fixing bolt at transfer box - see page 368

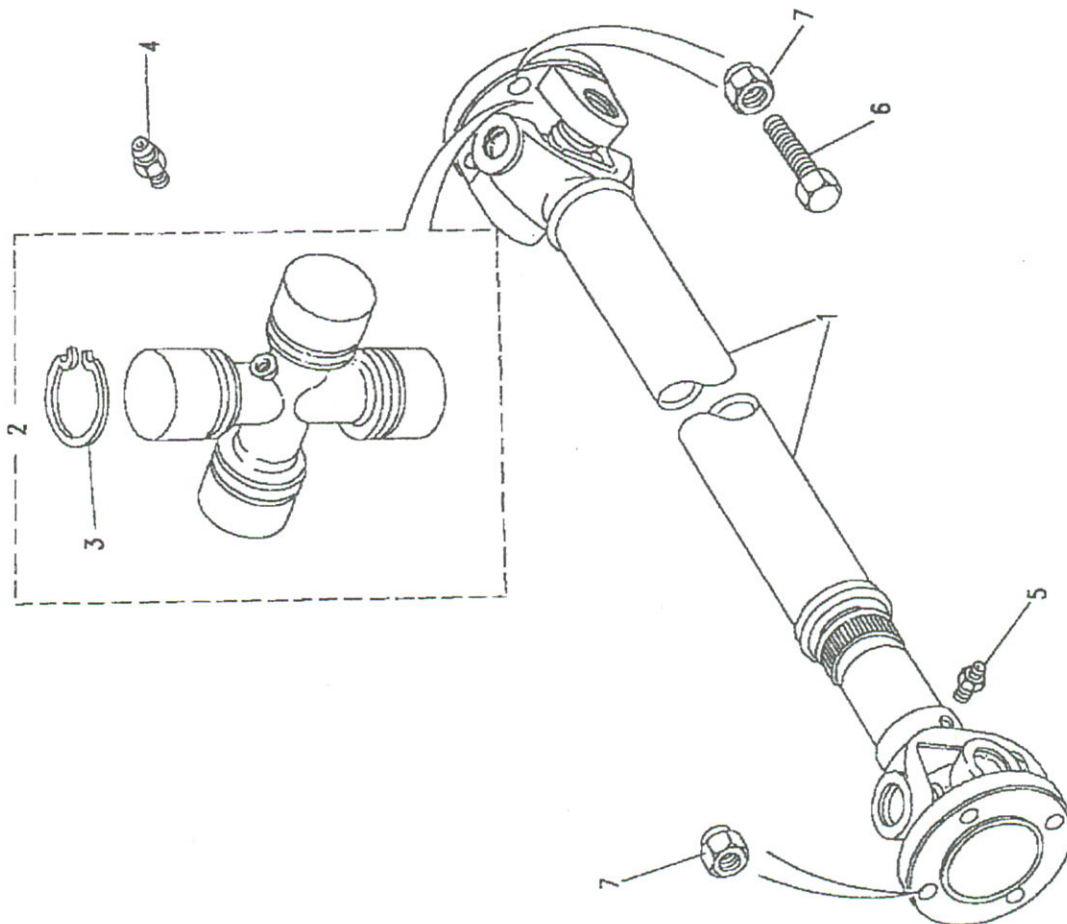


Model DEFENDER 110 1987 onwards
Page AFEXAC1A

AXLES - REAR PROPSHAFT

Ill. Part No.	Description	Qty	Remarks
Vehicles with front disc and rear drum brakes			
Defender 110			
1 FRC8391	Propeller shaft rear	1	4 Cylinder Upto VIN KA925786
FTC3245	Propeller shaft rear	1	4 Cylinder From VIN KA925787
FRC8389	Propeller shaft rear	1	V8
Defender 130			
1 FTC1250	Propeller shaft rear	1	4 Cylinder
RRC2303	Propeller shaft rear	1	V8
FTC1249	Propeller shaft rear	1	Upto 4.6.89 V8 LT85 From 5.6.89
Vehicles with front and rear disc brakes			
Defender 110			
1 FTC3245	Propeller shaft rear	1	4 Cylinder
FRC8389	Propeller shaft rear	1	V8 Note(1)
FTC3905	Propeller shaft rear	1	V8 Note(2)
FTC3905	Propeller shaft rear	1	300TDi

Note(1) Up to LA937639
Note(2) From LA937640

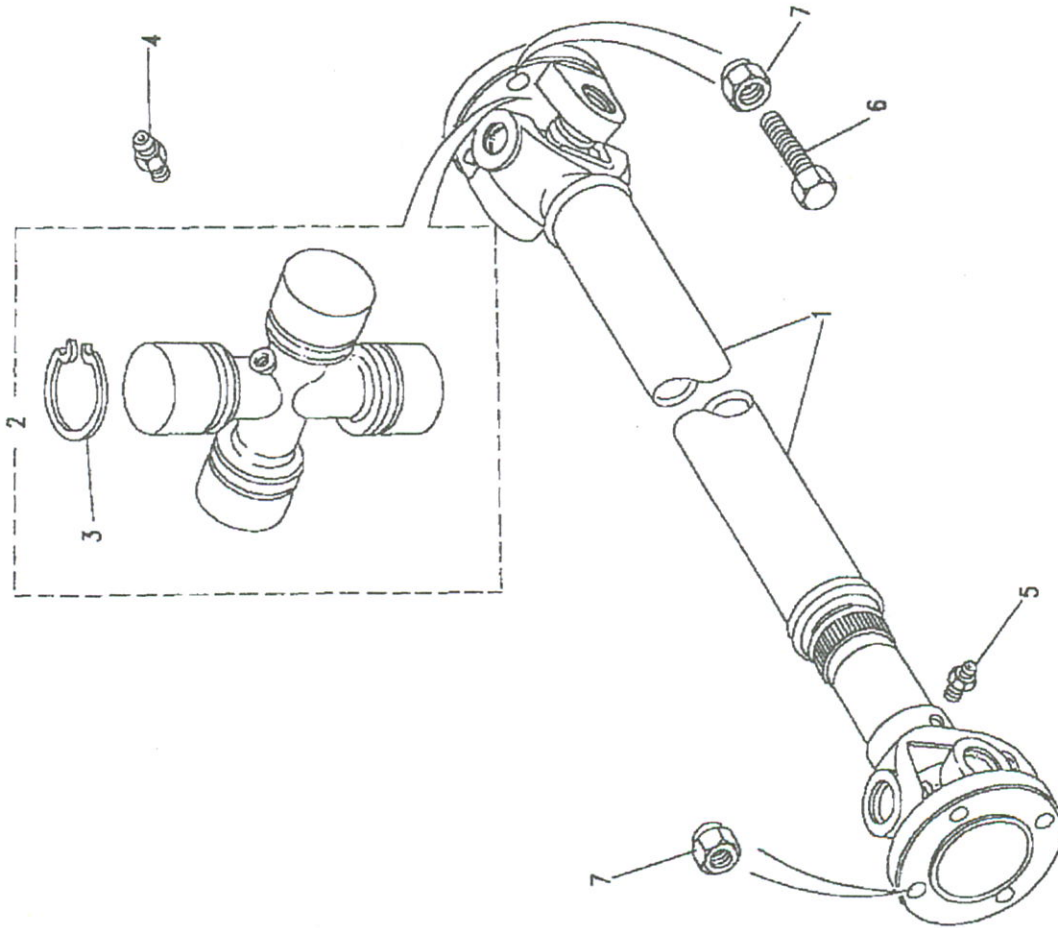


Model DEFENDER 110 1987 onwards
Page AFEXAC1A

AXLES - REAR PROPSHAFT

Ill. Part No.	Description	Qty	Remarks
Defender 130			
1	Propeller shaft rear	1	
All Derivatives			
2	Universal joint	2	
3	Circlip	8	
4	Nipple grease	2	
5	Nipple grease	1	
6	Bolt	4	Note(1)
7	Nut	8	

Note(1) Fixing bolt at transfer box - see page 369

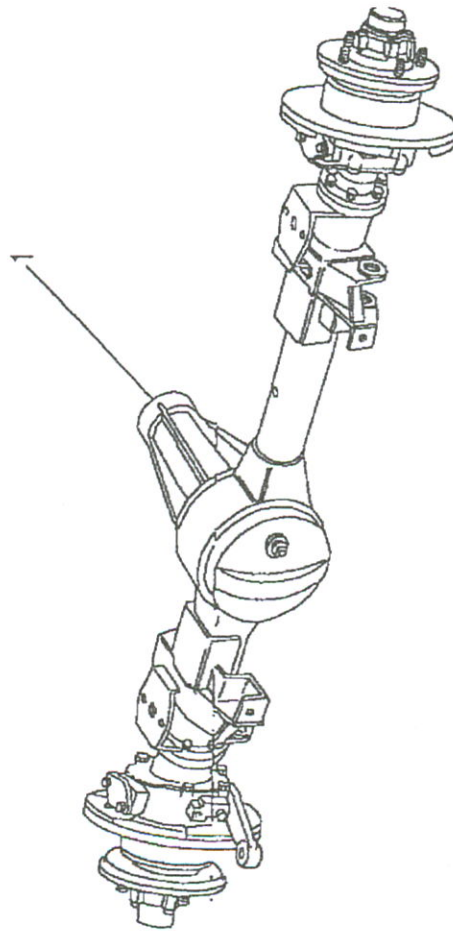




Model DEFENDER 110 1987 onwards
Page AFEXCA1A

FRONT AXLE - FRONT AXLE ASSEMBLY

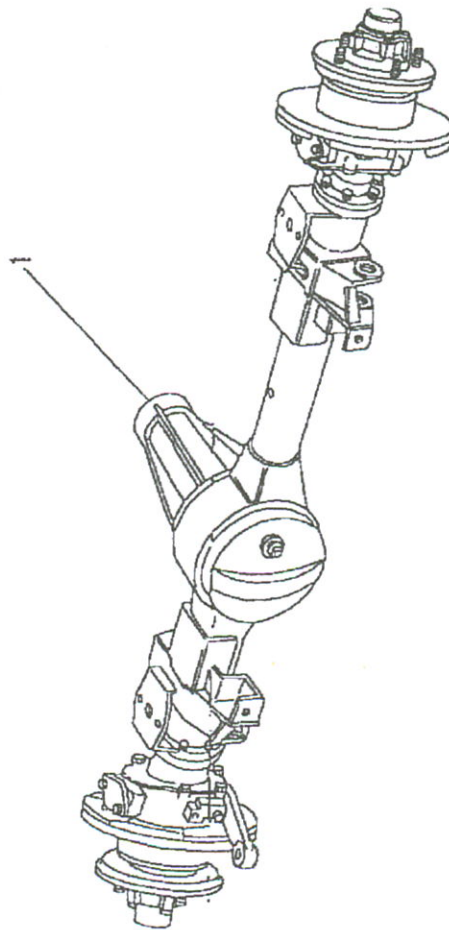
Ill. Part No.	Description	Qty	Remarks
Vehicles with front disc and rear drum brakes			
Upto VIN 930434 - 110,	930545 - 130		
1 FRC8782	Axle assembly front-RHS	1	Upto 20L77036C
FTC3280	Axle assembly front-RHS	1	From 20L77037C
FRC8783	Axle assembly front-LHS	1	Upto 21L56452C
FTC3281	Axle assembly front-LHS	1	From 21L56453C



Model DEFENDER 110 1987 onwards
Page AFEXCA2A

FRONT AXLE - FRONT AXLE ASSEMBLY

Ill. Part No.	Description	Qty	Remarks
Vehicles with front and rear disc brakes			
Defender 110 4 Cylinder - From VIN LA930435			
1	FTC3300	1	63L
	FTC3301	1	64L
Defender 110 V8 - From VIN LA930435			
1	FTC3300	1	63L
	FTC3301	1	64L
Defender 130 - From VIN LA930546			
1	FTC3300	1	63L
	FTC3301	1	64L





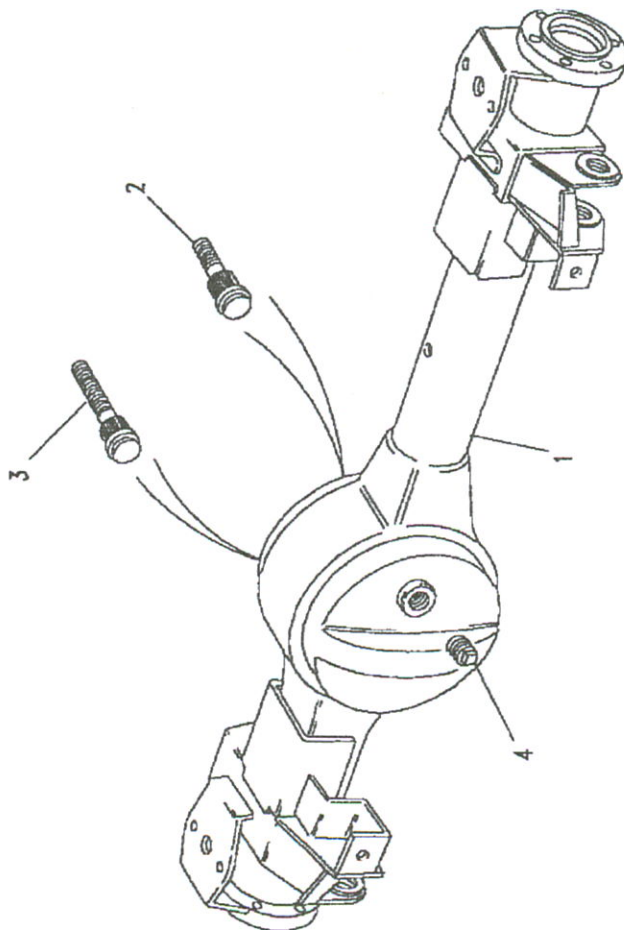
Model DEFENDER 110 1987 onwards
Page AFEXCC1A

FRONT AXLE - FRONT AXLE CASE

Ill. Part No.	Description	Qty	Remarks
---------------	-------------	-----	---------

Vehicles with front disc and rear drum brakes

- | | | | |
|-------------------------------------|---------|-----------------|---|
| Upto VIN 930434 - 110. 930545 - 130 | | | |
| 1 | FRC4307 | Axle case front | 1 |
| 2 | 561195 | Stud | 4 |
| 3 | 561196 | Stud | 6 |
| 4 | 608246 | Plug oil level | 2 |





DEFENDER 110 1987 onwards

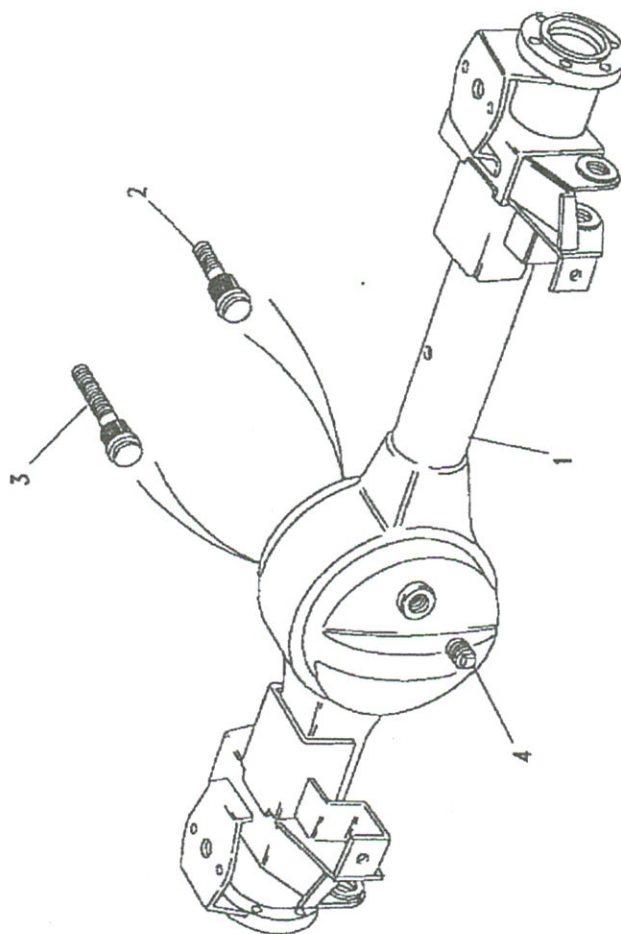
405

AXLES AND SUSPENSION

Model DEFENDER 110 1987 onwards
Page AFEXCC2A

FRONT AXLE - FRONT AXLE CASE

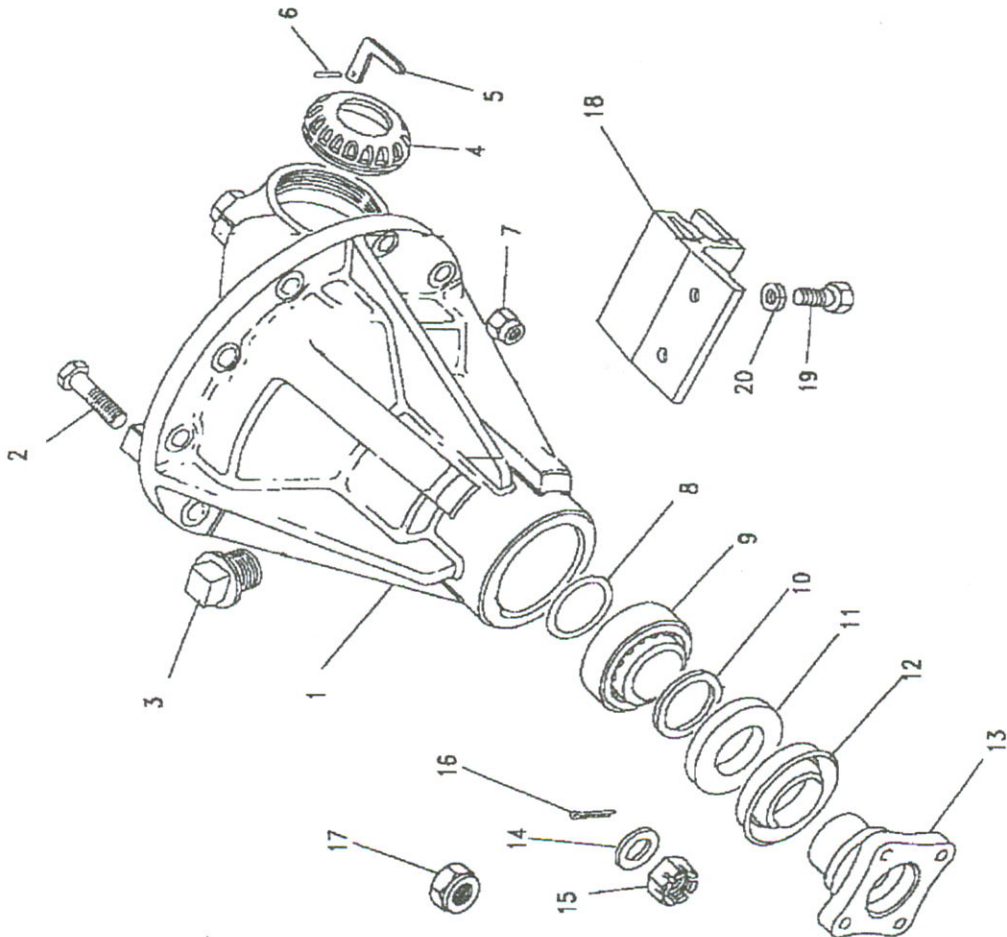
Ill. Part No.	Description	Qty	Remarks
Vehicles with front and rear disc brakes			
From VIN LA930435 - 110, LA930546 - 130			
1	FTC4413	1	
2	561195	4	Upto 64L04631A
3	561196	4	From 64L04632A
4	608246	6	
		2	Plug oil level



Model DEFENDER 110 1987 onwards
 Page AFEXCE1A

FRONT AXLE - FRONT DIFFERENTIAL

Ill. Part No.	Description	Qty	Remarks
Vehicles with front disc and rear drum brakes			
Upto VIN 930434 - 110, 930545 - 130			
1	FRC8521 Differential assembly	1	Use FTC782N
2	FTC782N Differential assembly	1	Upto VIN JA917433
3	FTC2750 Differential assy 3.54:1	1	From VIN JA917434
4	FRC5690 Differential assembly	1	Rebuild
5	BH112101L Housing pinion	1	
6	608246 Set bolt	4	
7	FRC5204 Filler plug	1	
8	FRC5661 Lock ring	1	
9	576159 Locking tab	2	
10	NY606041L Spring pin	2	
11	FRC1193 Nut nyloc	10	
12	FRC1195 Shim 0.060"	2	
13	FRC1197 Shim 0.062"	2	
14	FRC1199 Shim 0.064"	2	
15	FRC1201 Shim 0.066"	2	
16	FRC1203 Shim 0.068"	2	
17	539718 Shim 0.070"	2	
18	539720 Shim 0.072"	2	
19	539722 Shim 0.074"	2	
20	539724 Shim 0.076"	2	
21	539724 Shim 0.078"	2	



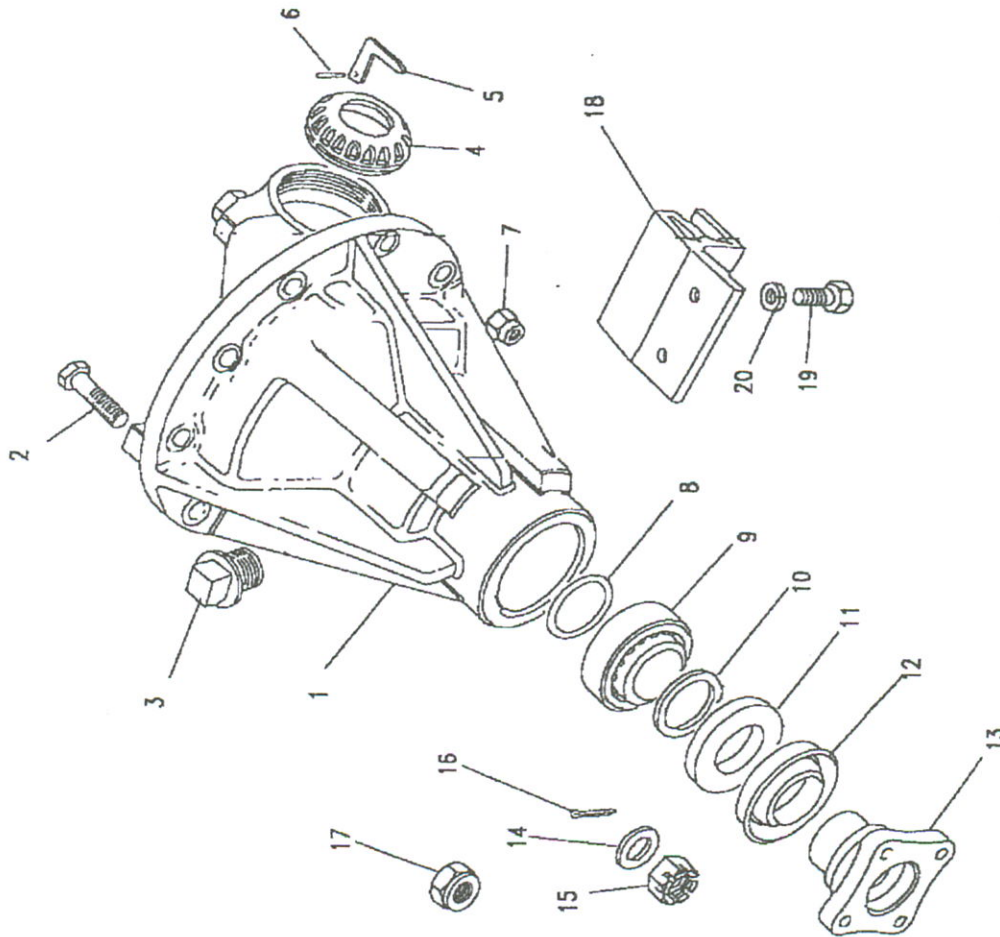
Model DEFENDER 110 1987 onwards
Page AFEXCE1A

FRONT AXLE - FRONT DIFFERENTIAL

Ill. Part No.	Description	Qty	Remarks
9	Bearing pinion	1	Note(1)
10	Spacer	1	Note(2)
11	Oil seal	1	Note(3)
12	Mud Shield	1	Note(4,5)
13	Flange	1	
14	Washer plain	1	
15	Nut castle	1	
16	Nut nyloc	1	
17	Pin split	1	
18	Bracket-Track Rod Protect	1	
19	Bolt	2	
20	Washer spring	2	

Note(1)
 Note(2)
 Note(3)
 Note(4)
 Note(5)

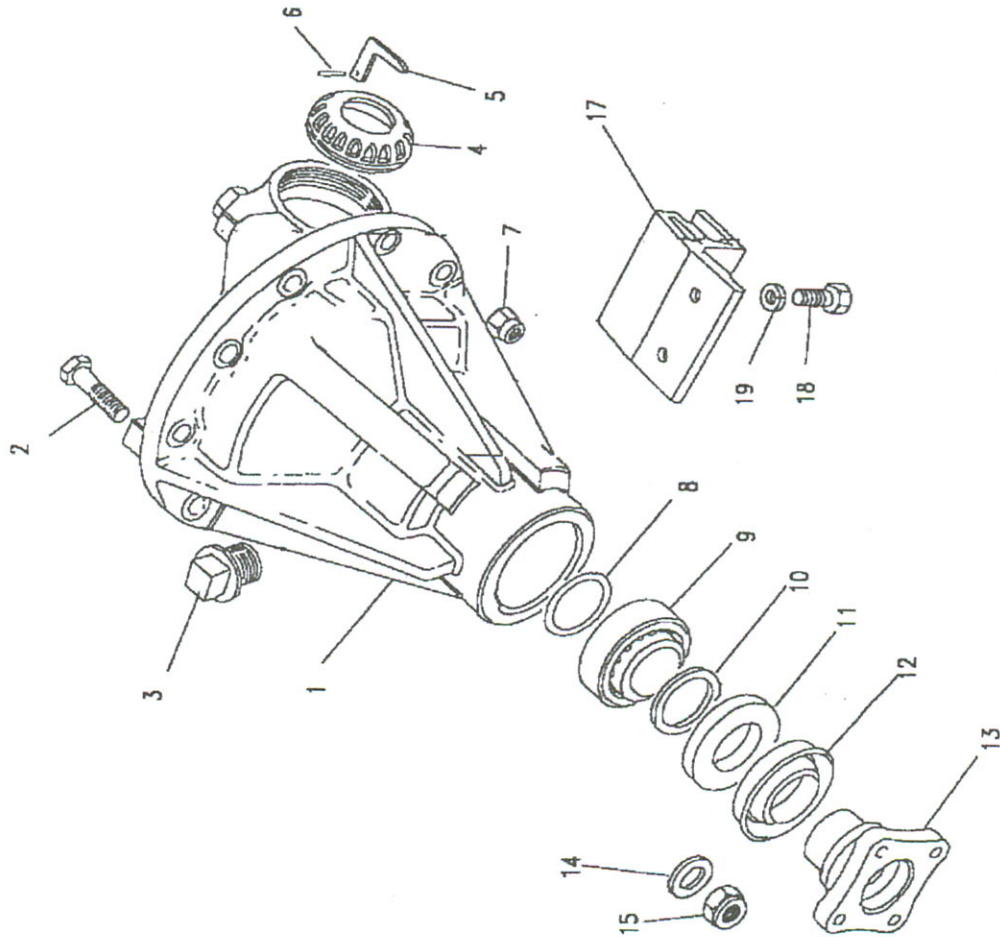
Use on Differential Assembly FRC8521
 Use on Differential Assembly FTC782N
 Up to LA929665
 From LA929666
 Used with FTC3620



Model DEFENDER 110 1987 onwards
Page AFEXCE2A

FRONT AXLE - FRONT DIFFERENTIAL

Ill. Part No.	Description	Qty	Remarks
Vehicles with front and rear disc brakes			
From VIN LA930435 - 110, LA930546 - 130			
1	Differential assembly	1	Rebuild
2	Differential assembly	1	
3	Housing pinion	1	
4	Set bolt	4	
5	Filler plug	1	
6	Lock ring	2	
7	Locking tab	2	
	Spring pin	2	
	Nut nyloc	10	



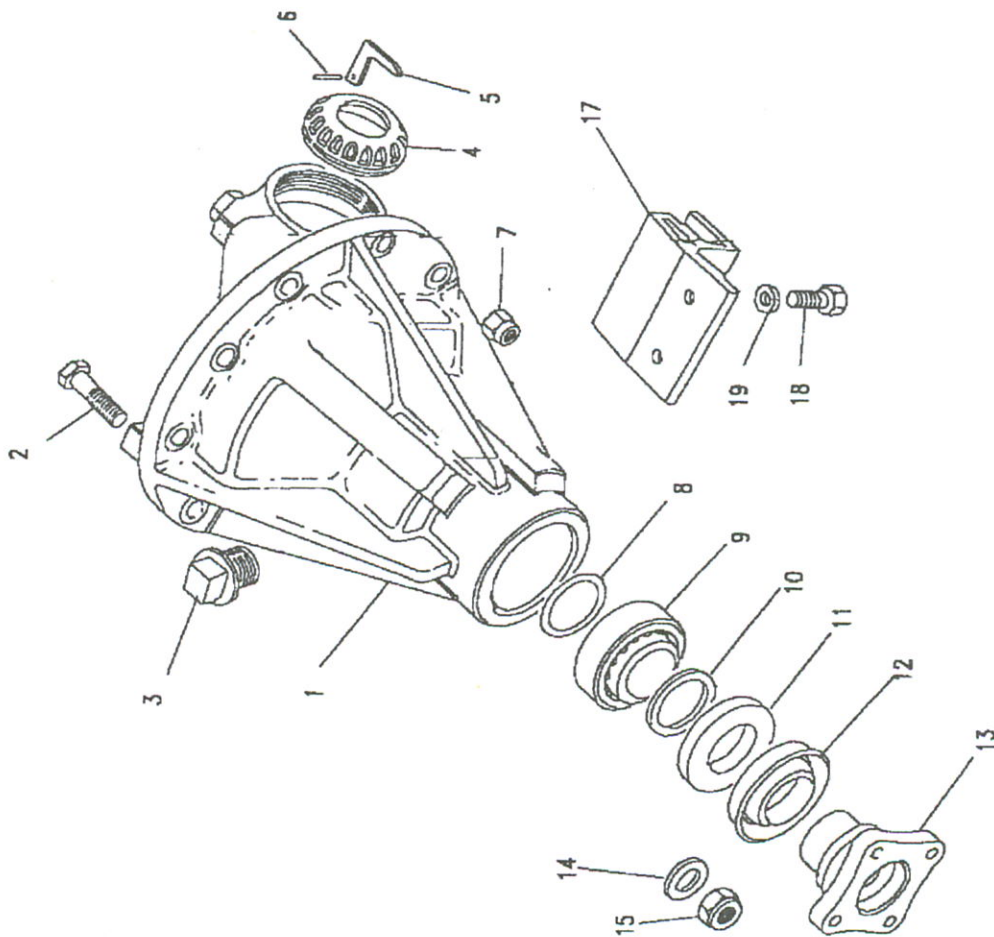
Selective Shim - tail pinion bearing A/R

8	FTC3869	2.155mm
	FTC3871	2.105mm
	FTC3873	2.080mm
	FTC3875	2.005mm
	FTC3877	1.955mm
	FTC3879	1.905mm
	FTC3881	1.855mm
	FTC3883	1.805mm
	FTC3885	1.755mm
	FTC3887	1.705mm
	FTC3889	1.655mm
	FTC3891	1.605mm
	FTC3893	1.555mm
	FTC3895	1.505mm

Model DEFENDER 110 1987 onwards
Page AFEXCE2A

FRONT AXLE - FRONT DIFFERENTIAL

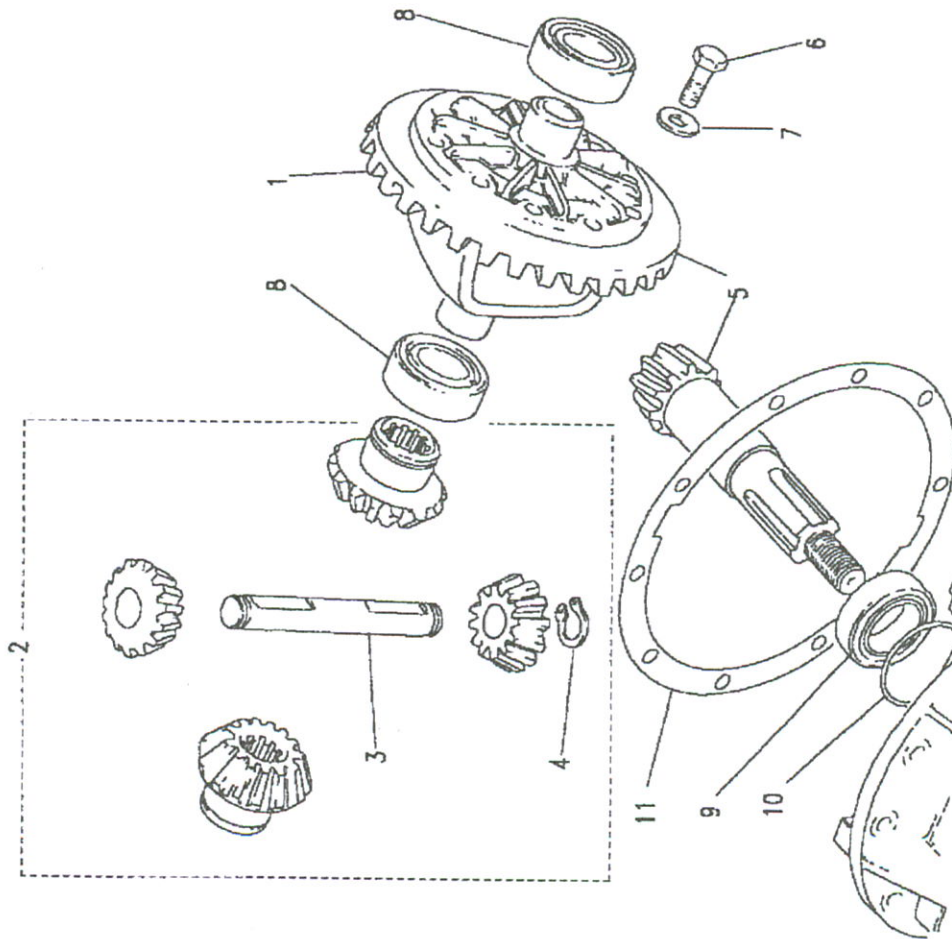
Ill. Part No.	Description	Qty	Remarks
9	Bearing pinion	1	
10	Spacer	1	
11	Oil seal	1	
12	Mud Shield	1	
13	Flange	1	
14	Washer plain	1	
15	Nut nyloc	1	
16	Bracket-Track Rod Protect	1	
17	Bolt	2	
18	Washer spring	2	



Model DEFENDER 110 1987 onwards
 Page AFEXCG1A

FRONT AXLE - FRONT DIFFERENTIAL

Ill. Part No.	Description	Qty	Remarks
Vehicles with front disc and rear drum brakes			
Upto VIN 930434 - 110, 930545 - 130			
1	FRC2933 Case differential	1	
2	STC851 Kit gear differential	1	
3	599945 Cross shaft	1	
4	CCN110L Circlip	2	
5	594493 Crownwheel and pinion	1	Note(1) (3)
6	FTC781 Crownwheel and pinion	1	Note(2)
7	593692 Bolt	10	
8	593693 Washer plain	10	
9	RTC2726 Bearing differential	2	
10	539706 Bearing pinion	1	
	549230 Shim 0.038"	1	
	549232 Shim 0.040"	1	
	549234 Shim 0.042"	1	
	549236 Shim 0.044"	1	
	549238 Shim 0.046"	1	
	549240 Shim 0.048"	1	
	549242 Shim 0.050"	1	
	549244 Shim 0.052"	1	
	549246 Shim 0.054"	1	
	549248 Shim 0.056"	1	
	549250 Shim 0.058"	1	
	549252 Shim 0.060"	1	



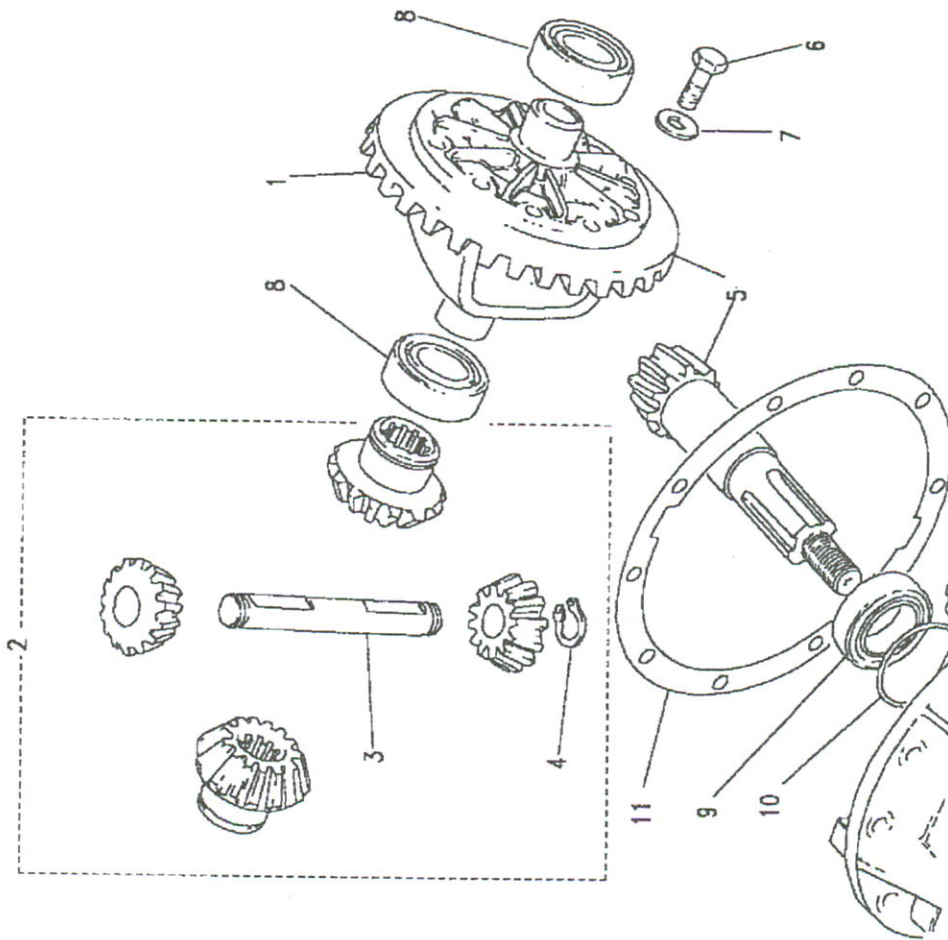
Model DEFENDER 110 1987 onwards
 Page AFEXCG1A

FRONT AXLE - FRONT DIFFERENTIAL

Ill. Part No.	Description	Qty	Remarks
10	Shim 0.062"	1	
	Shim 0.063"	1	
	Shim 0.064"	1	
	Shim 0.065"	1	
11	Joint washer	1	Note(4)

Note(1)
 Note(2)
 Note(3)
 Note(4)

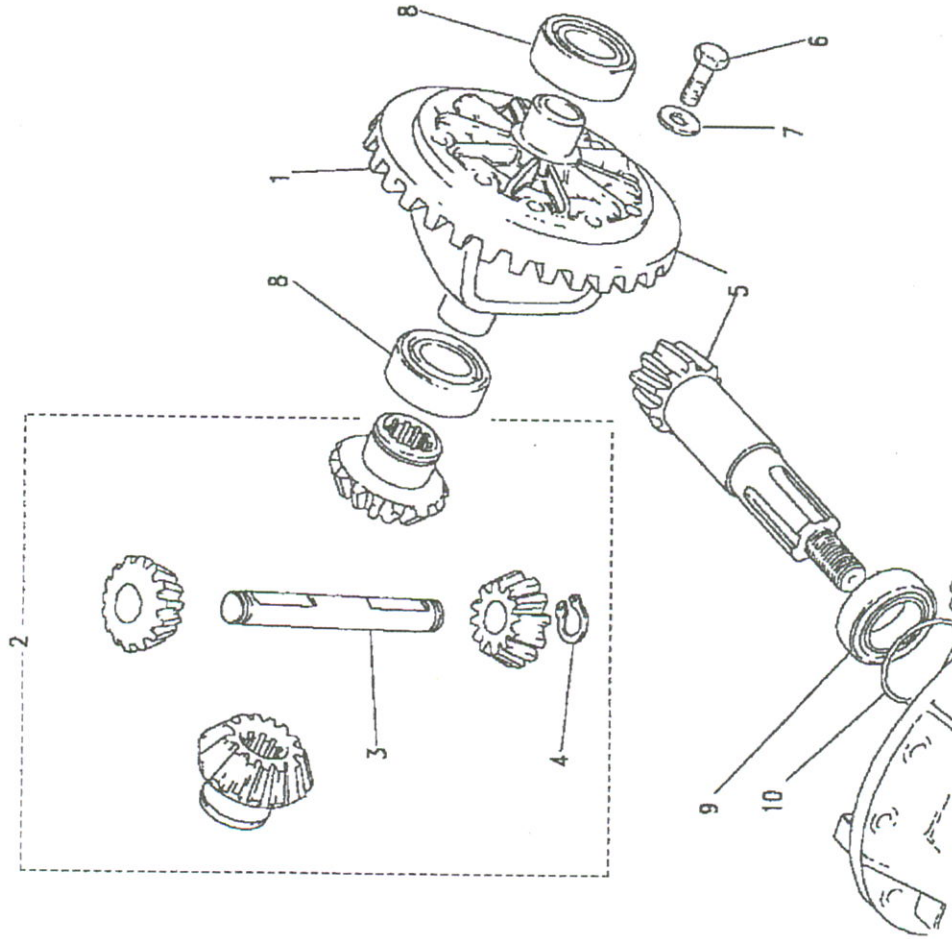
Use on Differential Assembly FRC8521
 Use on Differential Assembly FTC782N
 Use FTC781 plus FRC3002
 From Axle 20L73298C RHS 21L54972C LHS RTV sealant used not a gasket



Model DEFENDER 110 1987 onwards
 Page AFEXCG2A

FRONT AXLE - FRONT DIFFERENTIAL

Ill. Part No.	Description	Qty	Remarks
Vehicles with front and rear disc brakes			
From VIN LA930435 - 110, LA930546 - 130			
1	FRC2933 Case differential	1	Suffix A/B
	FTC3269 Case differential	1	Suffix C
2	STC851 Kit gear differential	1	Suffix A/B
	FTC3267 Wheel differential	2	Suffix C
	FTC3268 Pinion differential	2	Suffix C
3	599945 Cross shaft	1	
4	CCN110L Circlip	2	
5	FTC781 Crownwheel and pinion	1	Suffix A/B
	FTC3620 Crownwheel and pinion	1	Suffix C
6	593692 Bolt	10	Suffix A/B
	FTC3586 Bolt	10	Suffix C
7	593693 Washer plain	10	
8	RTC2726 Bearing differential	2	Suffix A/B
	STC1602 Bearing differential	2	Suffix C
9	539706 Bearing pinion	1	

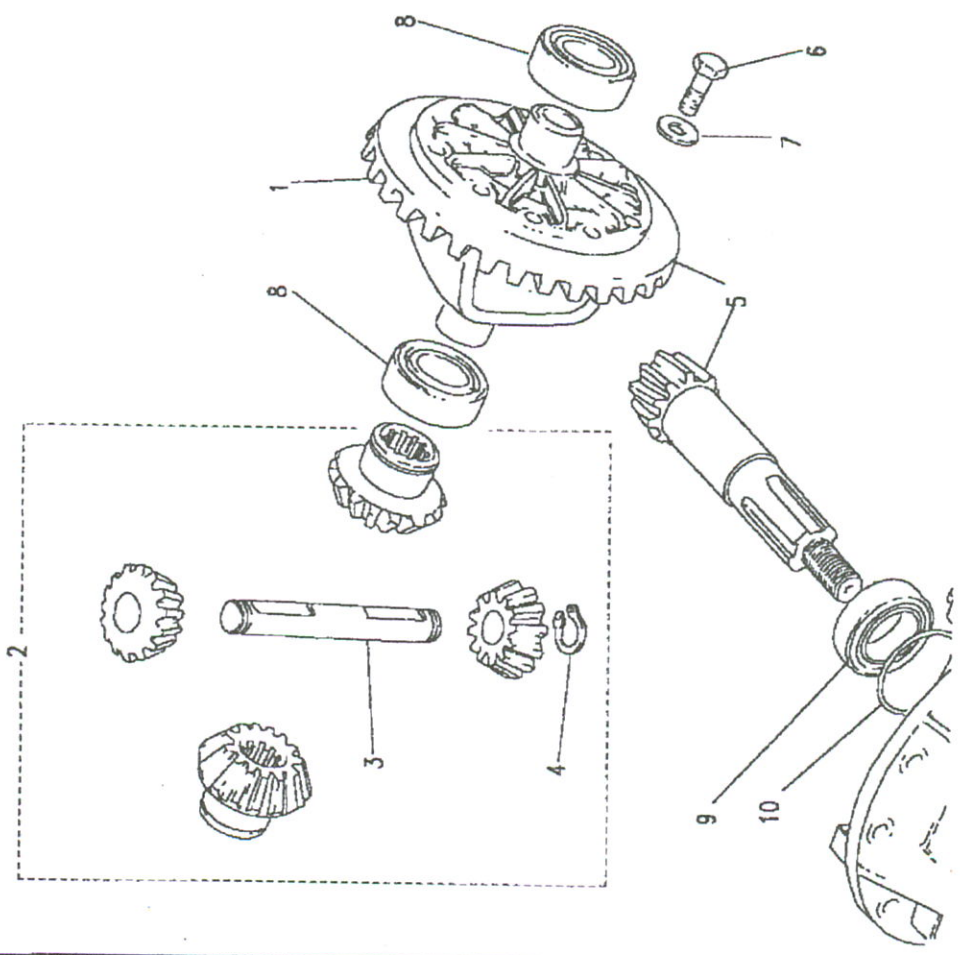


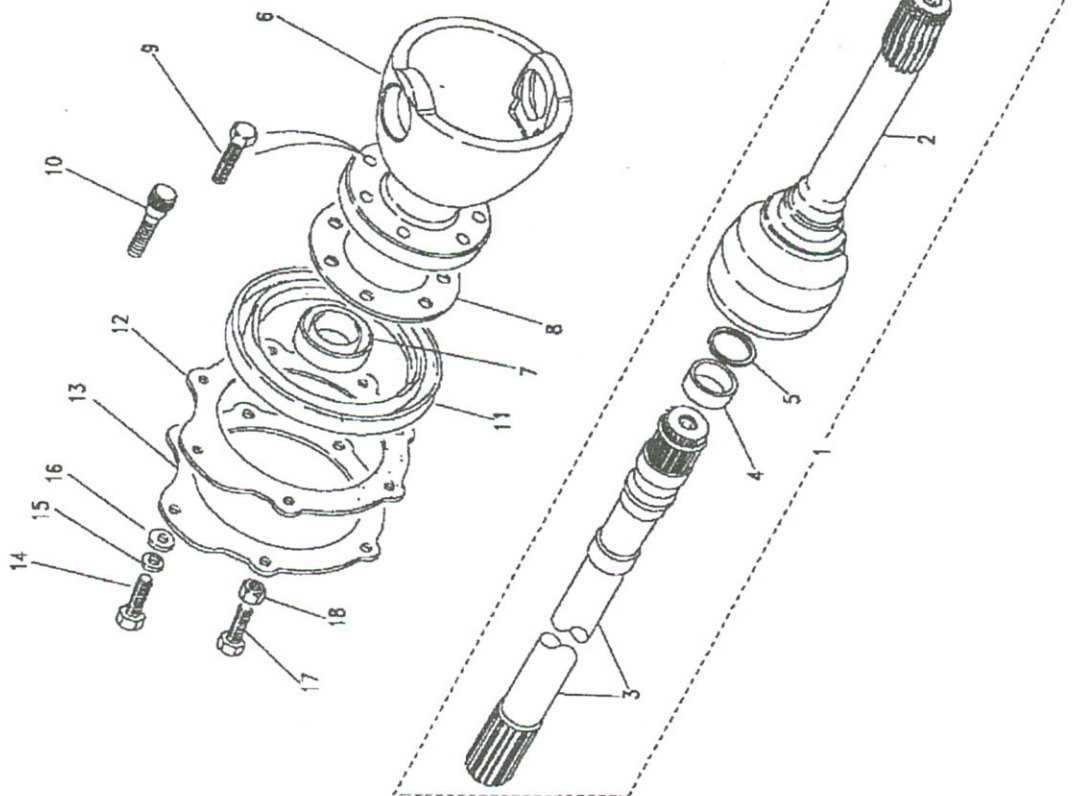


Model DEFENDER 110 1987 onwards
Page AFEXCG2A

FRONT AXLE - FRONT DIFFERENTIAL

III. Part No.	Description	Qty	Remarks
10	Selective Shim - pinion bearing head - A/R		
FTC3853	1.548mm		
FTC3855	1.498mm		
FTC3857	1.448mm		
FTC3859	1.398mm		
FTC3861	1.348mm		
FTC3863	1.298mm		
FTC3865	1.248mm		
FTC3867	1.198mm		



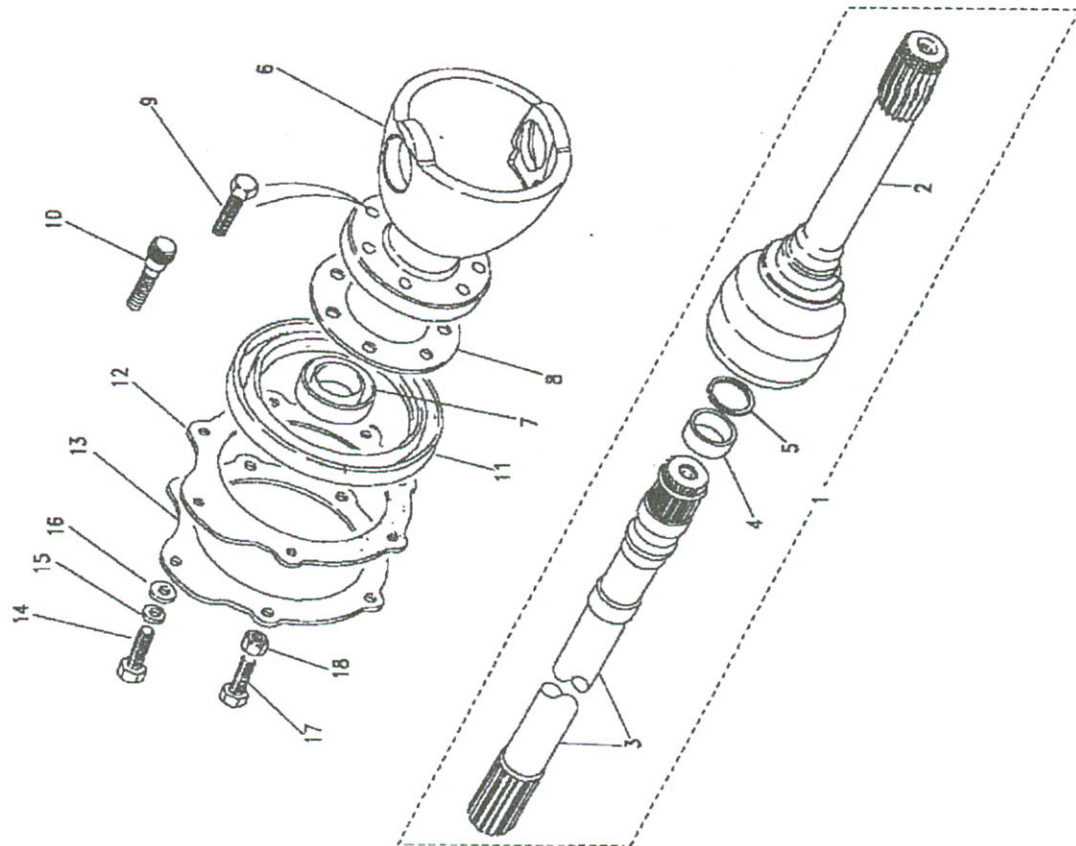


Model DEFENDER 110 1987 onwards
Page AFEXG11A

FRONT AXLE - DRIVE SHAFTS

Ill. Part No.	Description	Qty	Remarks
Vehicles with front disc and rear drum brakes			
Upto VIN 930434 - 110, 930545 - 130			
1	FRC3890 Halfshaft assembly RH	1	Note(1)
	FRC3891 Halfshaft assembly LH	1	Note(1)
	FTC1332 Halfshaft assembly RH	1	Note(2)
	FTC1333 Halfshaft assembly LH	1	Note(2)
2	AEU2522 Constant velocity joint	2	Note(1)
	RTC6862 Constant velocity joint	2	Note(2)
3	AEU2520 Halfshaft RH	1	Note(1)
	AEU2521 Halfshaft LH	1	Note(1)
	RTC6754 Halfshaft RH	1	Note(2)
	RTC6755 Halfshaft LH	1	Note(2)
4	FTC254 Spacer	2	Note(1)
	RTC5841 Spacer	2	Note(2)
5	RTC4820 Circlip	2	Note(1)
	STC579 Circlip	2	Note(2)
6	FRC2644 Housing bearing	2	
7	571718 Oil Seal	2	
8	FRC2349 Joint Washer	2	
	FTC3646 Joint washer	2	NLA use FTC3646 Asbestos free

Note(1) Upto 20L48865 RHS, 21L33355 LHS
Note(2) From 20L48866 RHS, 21L33356 LHS



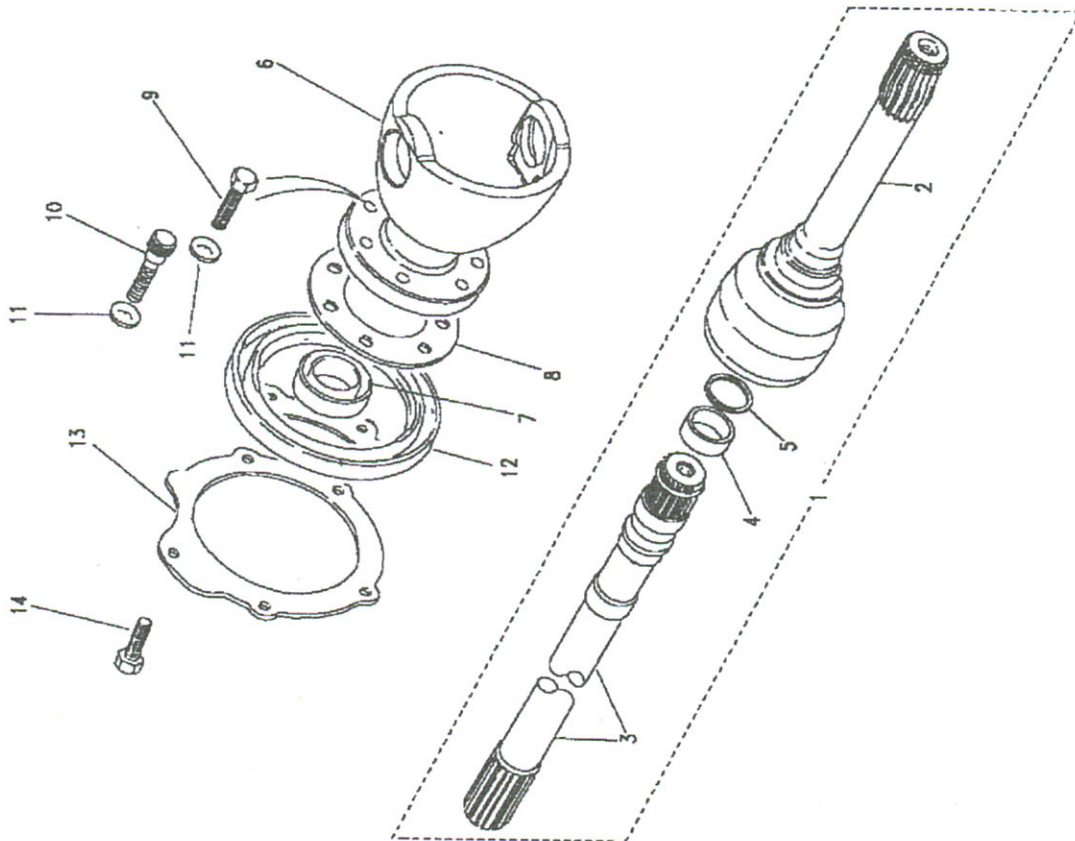
Model DEFENDER 110 1987 onwards
Page AFEXC11A

FRONT AXLE - DRIVE SHAFTS

Ill. Part No.	Description	Qty	Remarks
9	Bolt swivel housing	12	
10	Dowel Bolt	2	
	Washer	14	
11	Oil Seal	2	Note(1)
	Oil seal	2	Note(2)
12	Joint Washer	2	
13	Retaining Plate	2	
14	Bolt	14	
15	Washer spring	14	
16	Washer plain	14	
17	Bolt lock	2	
18	Lock nut	2	

Note(1)
Note(2)

Upto 20L74081C RHS, 21L55147C LHS, 24L00953C RHS
 From 20L74082C RHS, 21L55148C LHS, 24L00954C RHS



Model DEFENDER 110 1987 onwards
Page AFEXC12A

FRONT AXLE - DRIVE SHAFTS

Ill. Part No.	Description	Qty	Remarks
Vehicles with front and rear disc brakes			
From VIN LA930435 - 110, LA930546 - 130			
1	FTC3148 Halfshaft assembly RH	1	NSP
2	FTC3149 Halfshaft assembly LH	1	NSP
3	Constant velocity joint	1	NSP
4	Halfshaft RH	1	NSP
5	Halfshaft LH	1	NSP
6	Spacer	2	
7	Circlip	2	
8	Housing bearing	2	
9	Oil Seal	2	
10	Joint Washer	2	
11	Joint Washer	2	
12	Bolt swivel housing	12	NLA use FTC3646
13	Dowel Bolt	2	Asbestos free
14	Washer	14	
15	Oil Seal	2	
16	Plate retaining	2	
17	Bolt	12	

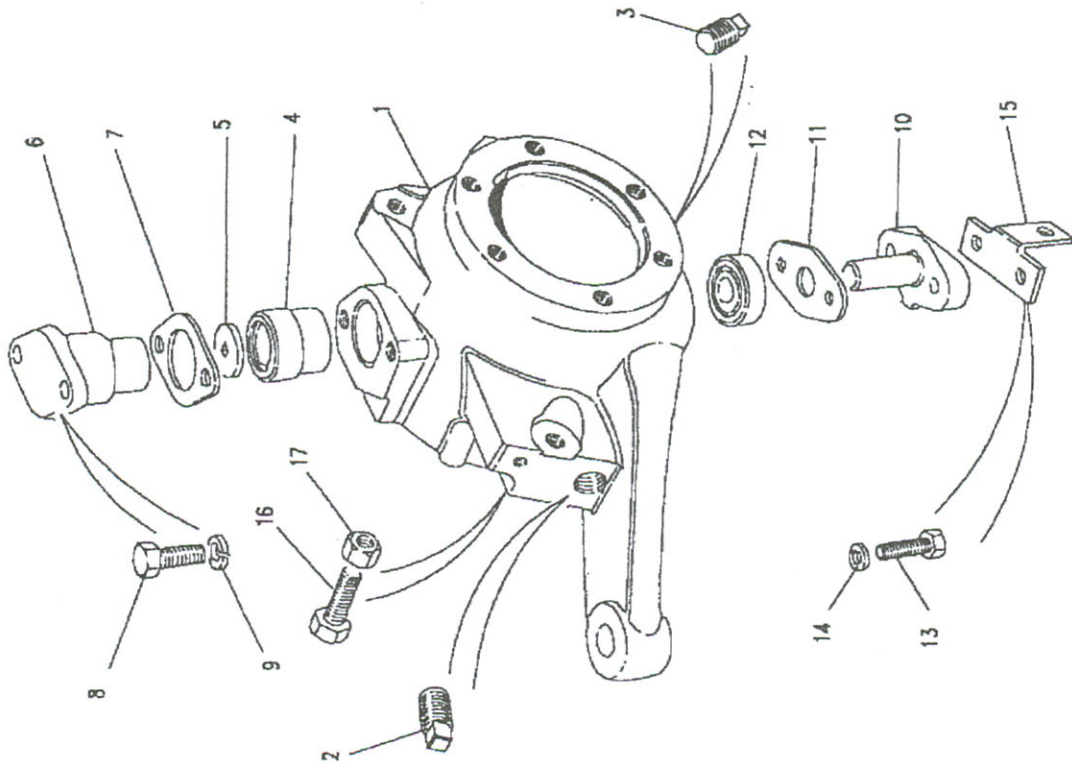


Model DEFENDER 110 1987 onwards
Page AFEXCK1A

FRONT AXLE - SWIVEL PIN HOUSING

III. Part No. Description
Vehicles with front disc and rear drum brakes

Part No.	Description	Qty	Remarks
Upto VIN 930434 - 110, 930545 - 130			
1	FRC4838 Housing swivel pin-RH RHS	1	Upto VIN JA909205
	FRC4839 Housing swivel pin-LH RHS	1	Upto VIN JA909205
	FRC4840 Housing swivel pin-RH LHS	1	Upto VIN JA909205
	FRC4841 Housing swivel pin-LH LHS	1	Upto VIN JA909205
1	FTC2528 Housing swivel pin-RH RHS	1	From VIN JA909206
	FTC2529 Housing swivel pin-LH RHS	1	From VIN JA909206
	FTC2530 Housing swivel pin-RH LHS	1	From VIN JA909206
	FTC2531 Housing swivel pin-LH LHS	1	From VIN JA909206
2	3291 Filler plug	2	
3	3290 Drain plug	2	
4	FRC2916 Housing and bush	2	
5	FRC2906 Washer thrust	2	
6	FRC3511 Swivel pin upper	2	
7	FRC2883 Shim 0.075mm	2	
	FRC2884 Shim 0.130mm	2	
	FRC2885 Shim 0.250mm	2	
	FRC2886 Shim 0.750mm	2	
8	BX110071M Bolt M10 m/encap	4	Note(1)
9	WL110001 Washer spring	4	
10	FRC2894 Swivel pin lower	1	NLA use FTC3647
11	FRC2897 Joint washer	1	Asbestos free
	FTC3647 Joint washer	1	
12	606666 Bearing	1	
13	BH108061M Flange Bolt	1	Note(1)
14	WL108001L Washer spring	4	
15	FRC3725 Bracket retaining	2	
16	AFU1234 Bolt lock	1	steering stop
17	NT112041 Lock nut	2	



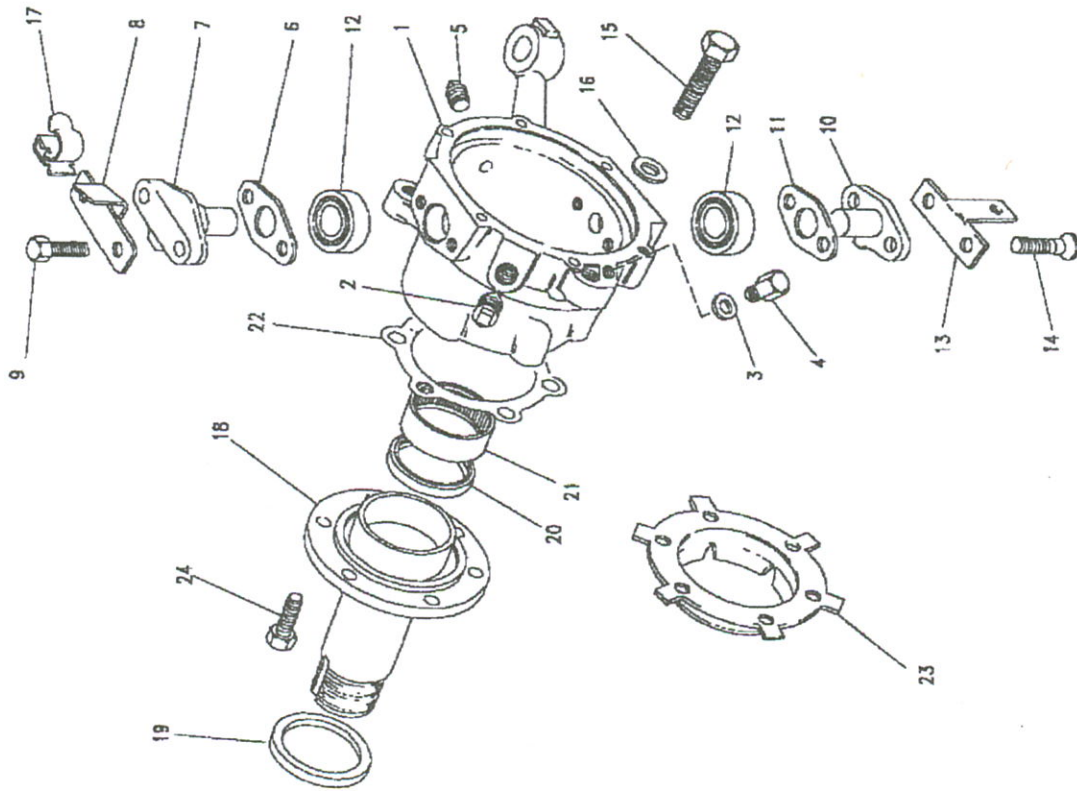
Note(1) Pre-impregnated with adhesive.



Model DEFENDER 110 1987 onwards
Page AFEXCK2A

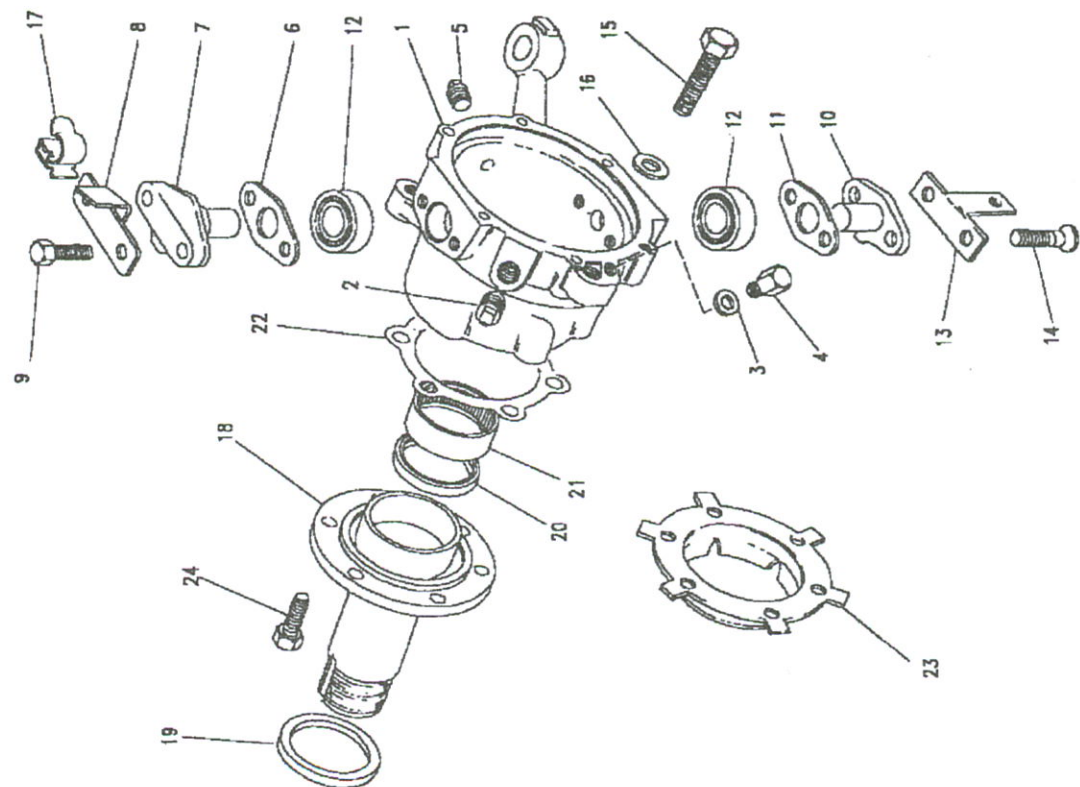
FRONT AXLE - SWIVEL PIN HOUSING

Ill. Part No.	Description	Qty	Remarks
Vehicles with front and rear disc brakes			
From VIN LA930435 - 110, LA930546 - 130			
1	FTC3308 Housing swivel pin-RH	1	RHS
	FTC3309 Housing swivel pin-LH	1	RHS
	FTC3310 Housing swivel pin-RH	1	LHS
	FTC3311 Housing swivel pin-LH	1	LHS
2	3292 Plug oil filler	2	
3	230511 Joint washer	2	
4	236070 Plug oil drain	2	
5	FTC3670 Plug oil level	2	
6	FRC2883 Shim 0.075"	2	
	FRC2884 Shim 0.130"	2	
	FRC2885 Shim 0.250"	2	
	FRC2886 Shim 0.750"	2	
7	FTC2882 Swivel pin upper	2	
8	90576928 Washer locking	2	Note(1)
9	BX110071M Bolt M10 m/encap	4	
10	FRC2894 Swivel pin lower	2	NLA use FTC3647
11	FRC2897 Joint washer	2	Asbestos free
	FTC3647 Joint washer	2	



Model DEFENDER 110 1987 onwards
Page AFEXCK2A

FRONT AXLE - SWIVEL PIN HOUSING



Ill. Part No.	Description	Qty	Remarks
12	Bearing	4	
13	Bracket retaining	2	
14	Screw	4	
15	Flange Bolt	4	Note(1)
16	Washer spring	4	
17	Clip retaining	2	
18	Axle stub	2	
19	Thrust ring	2	
20	Oil seal	2	Note(2)
21	Oil seal	2	Note(3)
22	Bearing	2	
23	Joint washer	2	NLA use FTC3648
24	Joint washer	2	Asbestos free
25	Plate locking	2	
26	Bolt	12	Note(1)

Note(1)
 Note(2)
 Note(3)

Pre-impregnated with adhesive.
 Up to 20L77036C - RHS & 21L56452C - LHS
 From 20L77037C - RHS & 21L56453C - LHS

Model DEFENDER 110 1987 onwards
Page AFEXCM1A

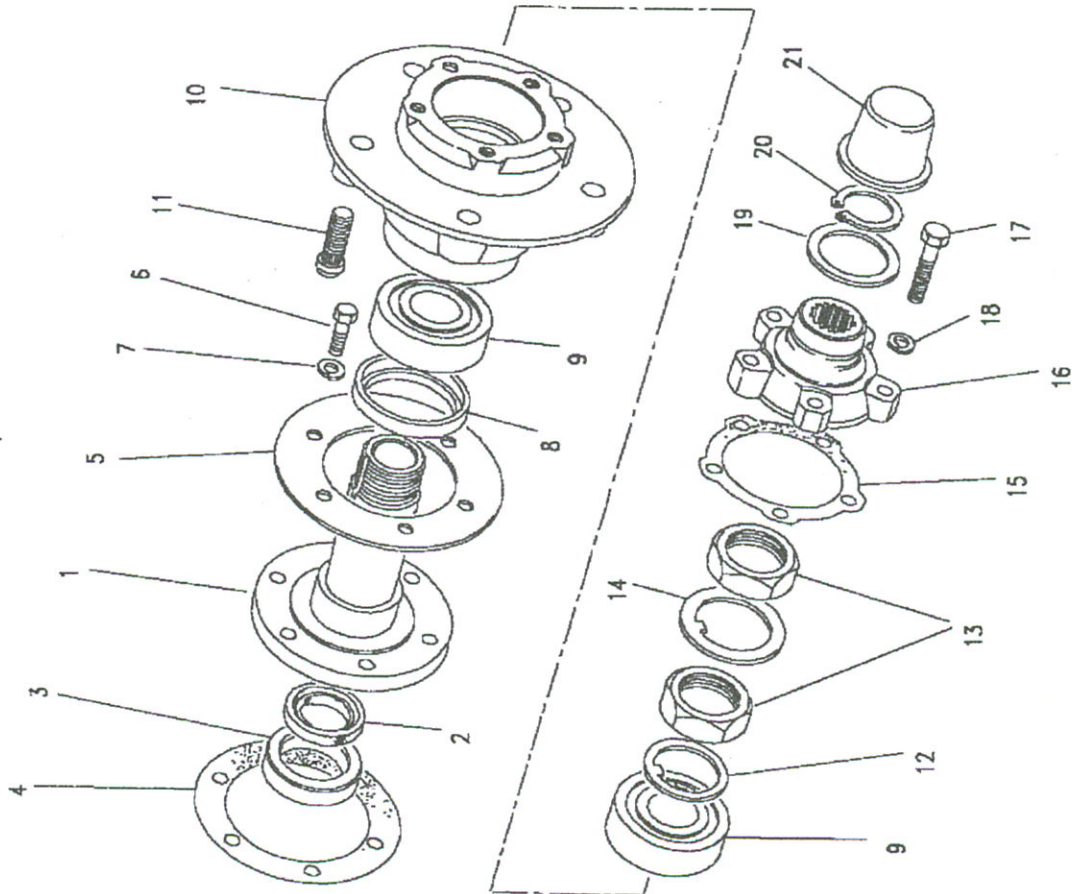
FRONT AXLE - FRONT HUB

Ill. Part No. Description Qty Remarks

Vehicles with front disc and rear drum brakes

Upto VIN 930434 - 110, 930545 - 130

1	FRC4320	Axle stub	2	
2	FRC3099	Oil seal	2	
3	FRC4319	Bush stub axle	2	
4	FTC3648	Joint washer	2	
5	FRC2310	Plate locking	2	
6	SX110251M	Bolt	12	
7	WL110001L	Washer spring	12	
8	FRC8221	Oil seal	2	
	FTC2783	Oil seal hub	1	From Note(1) From 6/7/92
9	RTC3429	Bearing	2	
10	FRC6139	Hub assembly	2	
11	FRC6137	Stud	10	
12	217352	Key washer	2	
13	FRC8700	Lock nut	4	
14	217353	Locker	2	
15	FRC3988	Joint washer	2	
16	FRC5806	Driving member	2	
17	AFU1181	Bolt hub	10	NLA use FC110107L
	FC110107L	Bolt hub	10	
18	WL110001L	Washer spring	10	



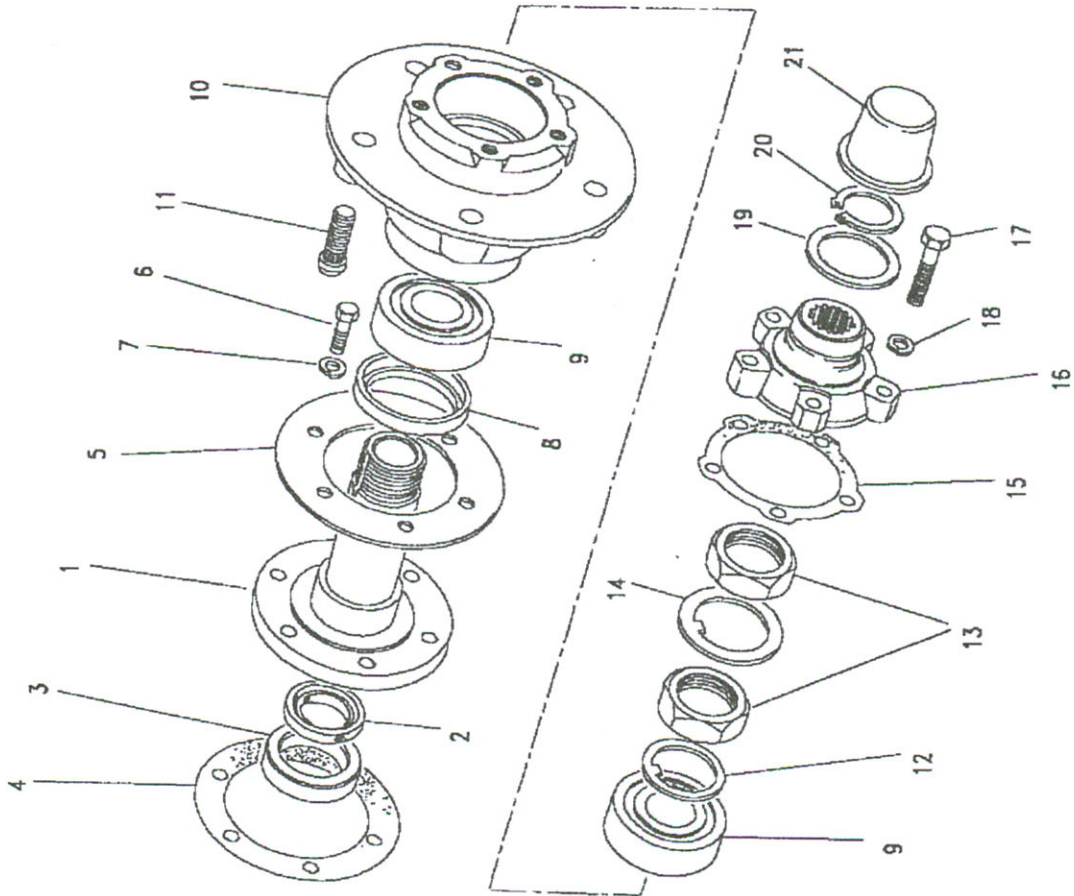


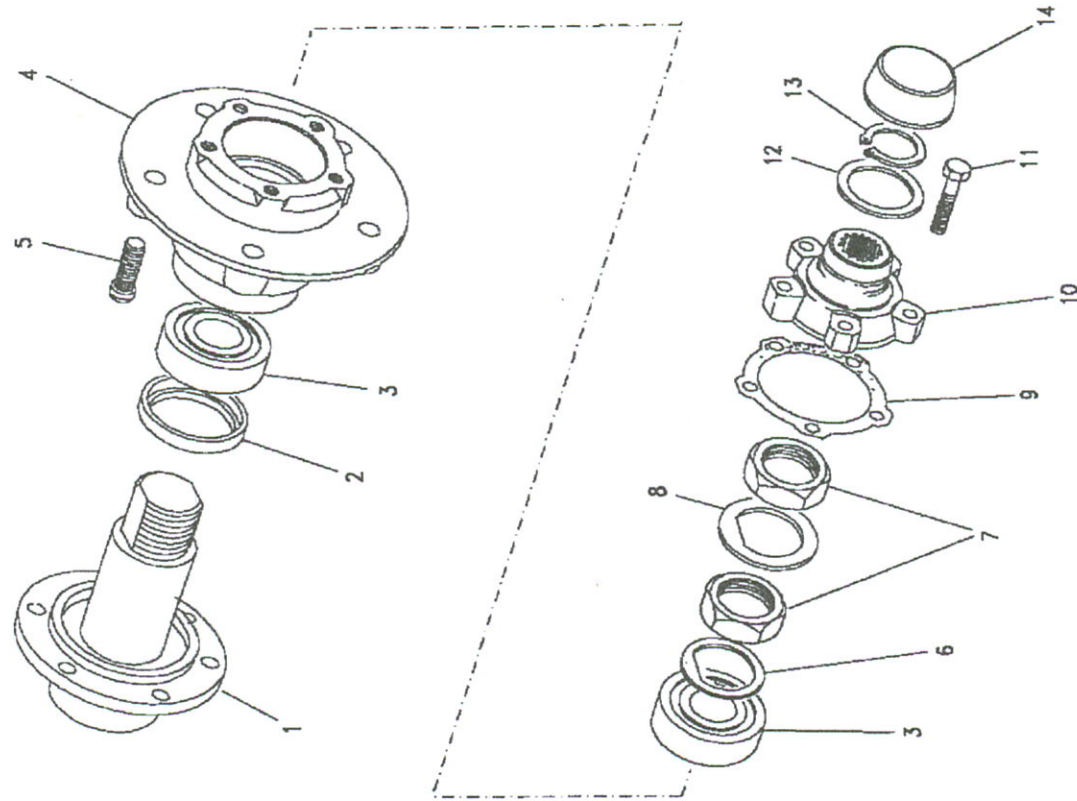
Model DEFENDER 110 1987 onwards
Page AFEXCM1A

FRONT AXLE - FRONT HUB

III. Part No.	Description	Qty	Remarks
19	FRC6782 Shim 0.45mm	4	
	FRC6783 Shim 0.60mm	4	
	FRC6784 Shim 0.75mm	4	
	FRC6785 Shim 0.90mm	4	
	FRC6786 Shim 1.05mm	4	
	FRC6787 Shim 1.20mm	4	
	FRC6788 Shim 1.35mm	4	
	FRC6789 Shim 1.50mm	4	
20	FRC6790 Shim 1.65mm	4	
21	549473 Circlip	2	
	FRC4377 Hub cap	2	

Note(1) From Axle No 20L70576C RHS, 21L52061C LHS





Model DEFENDER 110 1987 onwards
Page AFEXCM2A

FRONT AXLE - FRONT HUB

Ill. Part No.	Description	Qty	Remarks
Vehicles with front and rear disc brakes			
From VIN LA930435 - 110, LA930546 - 130			
1	FTC3183 Axle stub	2	Note(1)
2	FTC2783 Oil seal inner	2	
3	RTC3429 Bearing	4	
4	FTC942 Hub assembly	2	
5	FRC5926 Stud	10	
6	FTC3185 Washer stub axle	2	
7	FRC8700 Nut	4	
8	FTC3179 Washer lock	2	
9	571752 Washer joint	2	
10	FTC859 Hub driving member	2	
11	BX110095M Bolt m/encapsulated	10	Note(2)
12	FRC6782 Shim 0.045mm	2	
	FRC6783 Shim 0.060mm	2	
	FRC6784 Shim 0.075mm	2	
	FRC6785 Shim 0.090mm	2	
	FRC6786 Shim 1.05mm	2	
	FRC6787 Shim 1.20mm	2	
	FRC6788 Shim 1.35mm	2	
	FRC6789 Shim 1.50mm	2	
	FRC6790 Shim 1.65mm	2	
13	549473 Circlip	2	
14	FTC943 Cap hub	2	

Note(1) Also shown on page AFEXCK
 Note(2) Pre-impregnated with adhesive.