



# DEFENDER 110 1987 onwards

379

# TRANSFER BOX

## MASTER INDEX

INTRODUCTION PAGES  
 ALPHABETICAL INDEX  
 ENGINE  
 ENGINE  
 ENGINE  
 ENGINE  
 ENGINE  
 ENGINE  
 GEARBOX  
 GEARBOX  
 GEARBOX  
 TRANSFER BOX  
 TRANSFER BOX  
 AXLES AND SUSPENSION  
 STEERING  
 VEHICLE AND ENGINE CONTROLS  
 BRAKES  
 FUEL SYSTEM AND AIR CLEANER  
 EXHAUST SYSTEM  
 COOLING/HEATING  
 COOLING/HEATING  
 COOLING/HEATING  
 COOLING/HEATING  
 COOLING/HEATING  
 BODY ELECTRICAL  
 BODY AND CHASSIS  
 INTERIOR TRIM  
 SEATS  
 STOWAGE  
 ACCESSORIES - PAINTS  
 NUMERICAL INDEX

PAGES  
 1 - 7  
 8 - 16  
 17 - 66  
 67 - 119  
 120 - 166  
 167 - 209  
 210 - 245  
 246 - 299  
 300 - 326  
 327 - 344  
 345 - 359  
 360 - 378  
 379 - 397  
 398 - 444  
 445 - 471  
 472 - 486  
 487 - 517  
 518 - 579  
 580 - 593  
 594 - 637  
 638 - 641  
 642 - 649  
 650 - 655  
 656 - 666  
 667 - 740  
 741 - 909  
 910 - 955  
 956 - 1036  
 1037 - 1046  
 1047 - 1074  
 1076 - 1151

GROUP D  
 TRANSFER BOX  
 TRANSFER BOX  
 TRANSFER ASSEMBLY - LT85  
 HOUSING - LT85  
 SPEEDO HOUSING - LT85  
 DIFFERENTIAL - LT85  
 MAINSHAFT - LT85  
 INTERMEDIATE SHAFT - LT85  
 FRONT FLANGE - LT85  
 FRONT OUTPUT SHAFT - LT85  
 REAR FLANGE - LT85  
 HIGH LOW GEARS - LT85  
 GEAR CHANGE - LT85  
 ROD ASSEMBLY - LT85  
 GASKET KIT - LT85  
 TRANSMISSION BRAKE - LT85

380  
 381 - 382  
 383 - 384  
 385  
 386  
 387  
 388  
 389 - 390  
 391  
 392  
 393 - 394  
 395  
 396  
 397



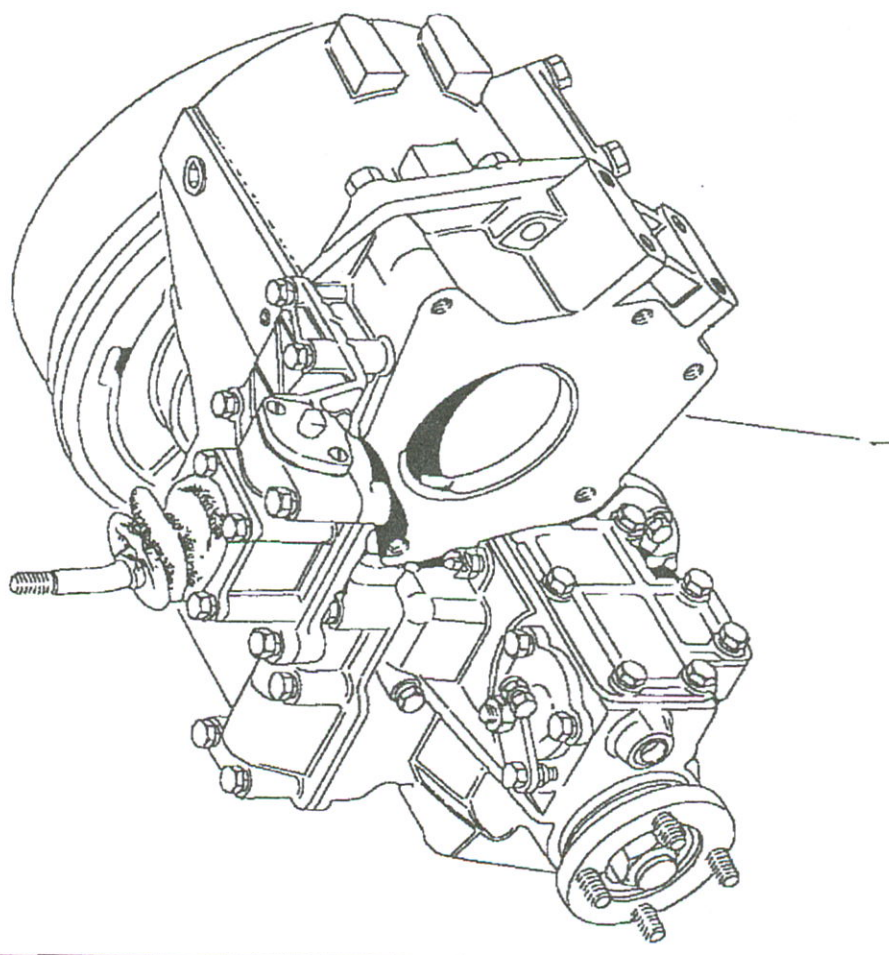


**Model** DEFENDER 110 1987 onwards  
**Page** AFDCAA1A

**TRANSFER GEARBOX - TRANSFER ASSEMBLY - LT85**

Ill. Part No.	Description	Qty	Remarks
1 FRC9468N	Transfer assembly	1	Note(1)

Note(1) Serial Number 25D fitted to LT85 gearbox



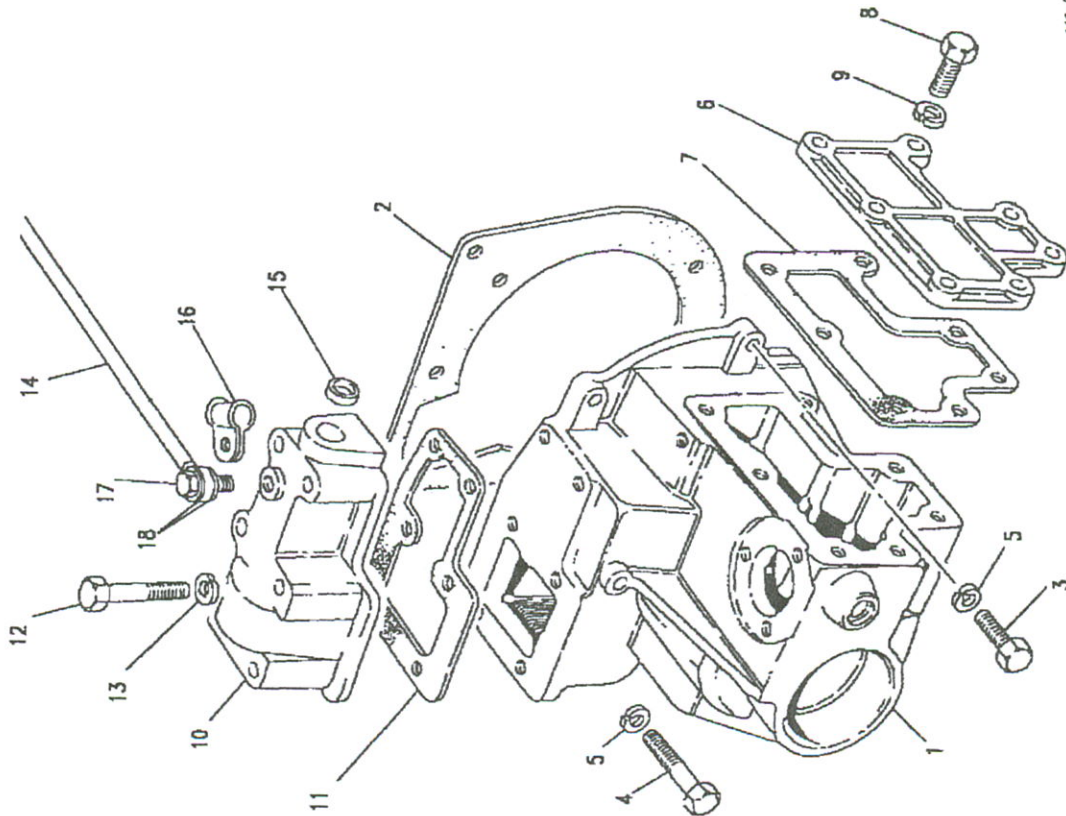


Model DEFENDER 110 1987 onwards  
Page AFDCCA1A

TRANSFER GEARBOX - HOUSING - LT85

Ill. Part No.	Description	Qty	Remarks
1	FRC8299 Housing front output	1	Note(1)
2	FTC4178 Housing front output	1	Note(2)
3	FRC6103 Washer joint	1	Note(3)
4	FS108301L BH108181L Flange Bolt	7	
5	WA108051L Washer	1	
6	FRC6104 Cover-Front	8	
7	FRC6105 Washer joint	1	Note(3)
8	SH108251L Screw	1	
9	WA108051L Washer	7	
10	FRC6106 Housing cross shaft	1	
11	FRC7998 Washer joint	1	Note(3)
12	BH108111L Bolt	1	
13	FB108111L Bolt flanged	6	
14	WA108051L Washer	6	
15	FRC167 Pipe breather	1	
16	BAU1689 Clip-pipe-single	1	

Note(1) Up to 28D327047E (paper gasket type)  
Note(2) From 28D327048E (liquid gasket type)  
Note(3) Part of gasket kit RTC3890



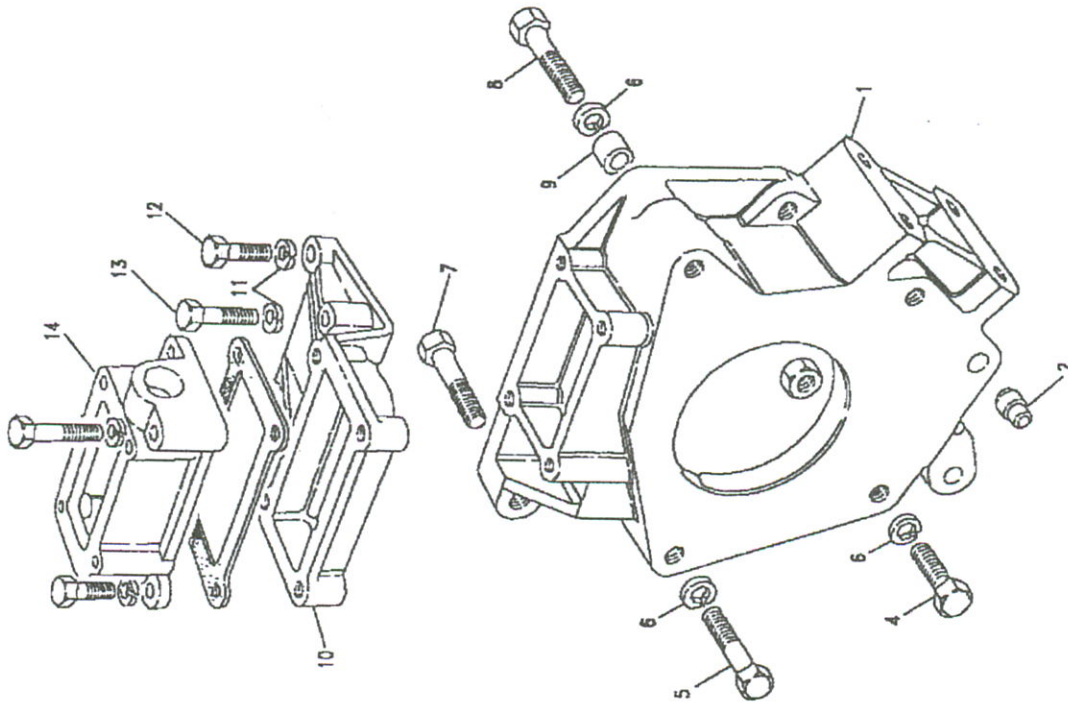
vs 372B/A



**Model** DEFENDER 110 1987 onwards  
**Page** AFDCCA2A

**TRANSFER GEARBOX - HOUSING - LT85**

Ill. Part No.	Description	Qty	Remarks
1	FRC5622	1	Housing extension
2	571134	1	Pin dowel
3	NH110041L	2	Nut
4	FRC5053	1	Screw
5	SH110401L	3	Screw
6	WL110001L	12	Washer
7	BH110081L	3	Bolt
8	BH110091L	1	Screw
9	FRC2482	1	Dowel hollow
10	FRC8558	1	Housing remote
11	WL108001L	4	Washer
12	SH108251L	2	Screw
13	BH108111L	2	Bolt MBX55
14	FB108111L	2	Bolt flanged MBX55
	FRC8751	1	Housing cross shaft

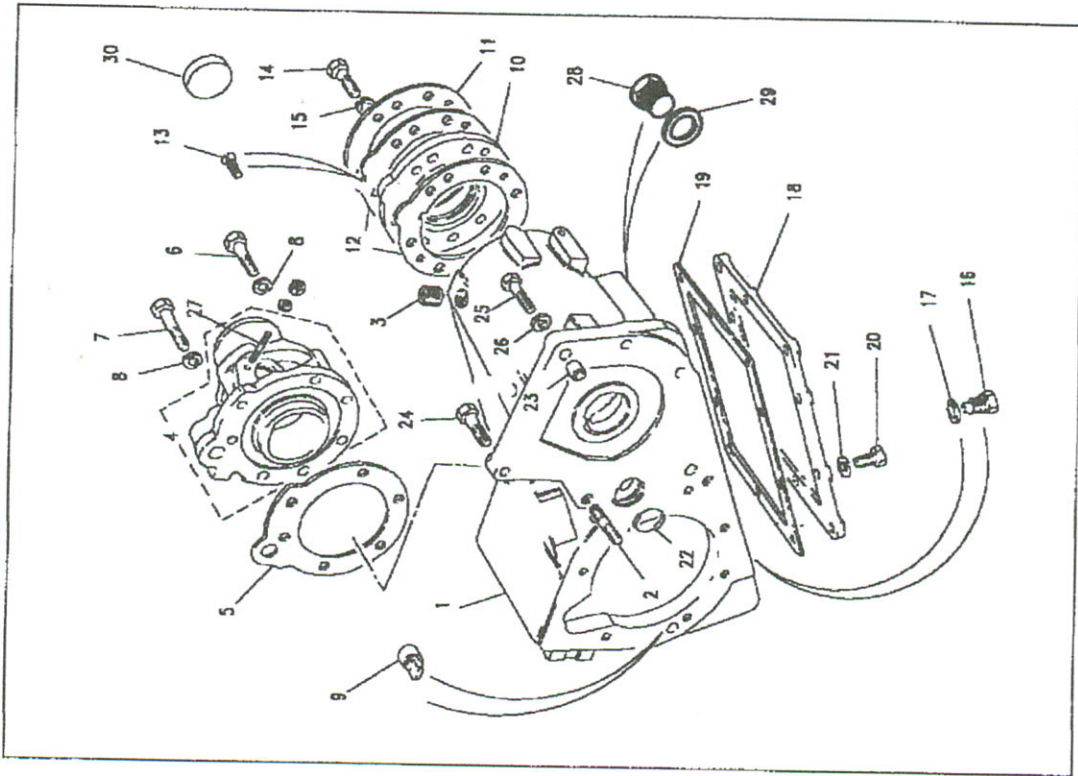


Model DEFENDER 110 1987 onwards  
 Page AFDCEA1A

TRANSFER GEARBOX - SPEEDO HOUSING - LT85

Ill. Part No.	Description	Qty	Remarks
1	Housing transfer assy	1	
2	Stud	2	
3	Plug-oil filler	2	
4	Housing speedo assy	1	Note(1)
5	Housing speedometer	1	Note(2)
6	Washer joint	1	Note(3)
7	Screw	5	
8	Screw	1	
9	Washer	6	
10	Dowel	1	
11	Housing	1	
12	Cover-power take-off	1	
13	Shim	1	
14	Washer joint	1	
15	Bolt	2	Note(3)
16	Bolt	2	
17	Washer	6	
18	Plug drain	6	
19	Washer-drain plug	1	Note(3)

Note(1) Up to 22D309416E  
 Note(2) From 22D309417E (no gasket used)  
 Note(3) Part of gasket kit RTC3890

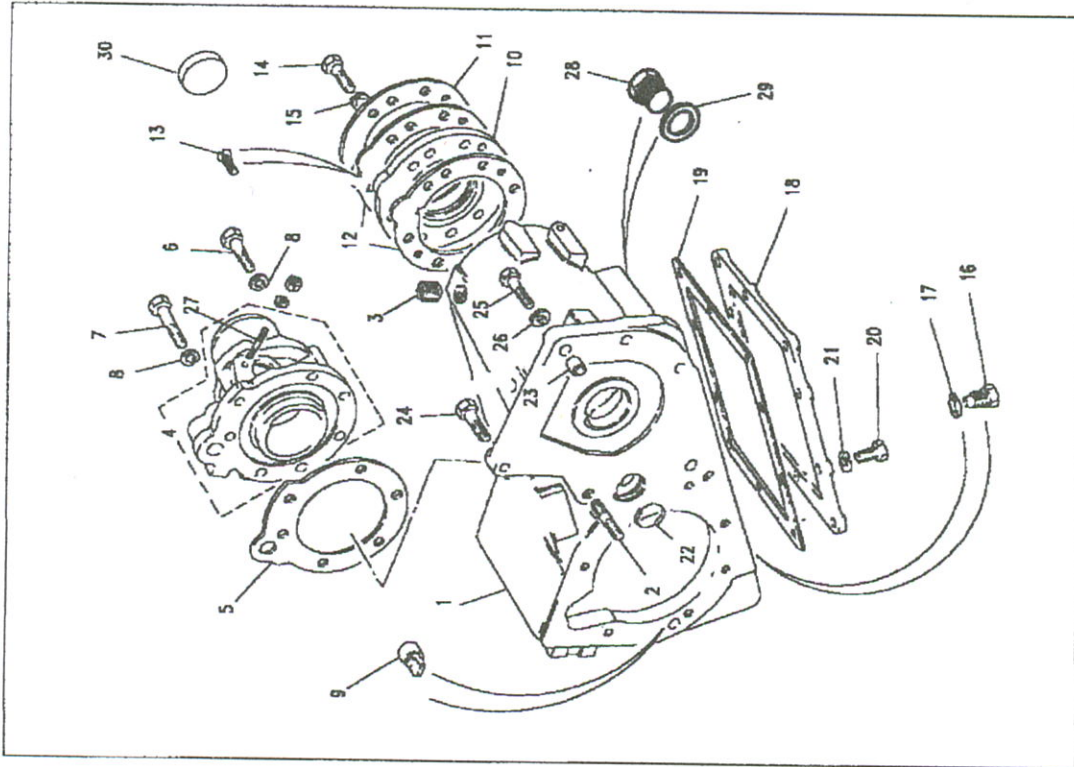


Model DEFENDER 110 1987 onwards  
Page AFDCEA1A

TRANSFER GEARBOX - SPEEDO HOUSING - LT85

Ill. Part No.	Description	Qty	Remarks
18	FRC5415	1	
19	FRC5416	1	Note(1)
20	FB108061	10	
21	WA108051L	10	
22	FRC8282	1	Note(1)
23	FRC2482	1	
24	BH110081L	3	
25	BH110091L	1	
26	WL110001L	6	
27	571536	1	
28	SH214141	1	
29	232042	1	
30	602146	1	

Note(1) Part of gasket kit RTC3890

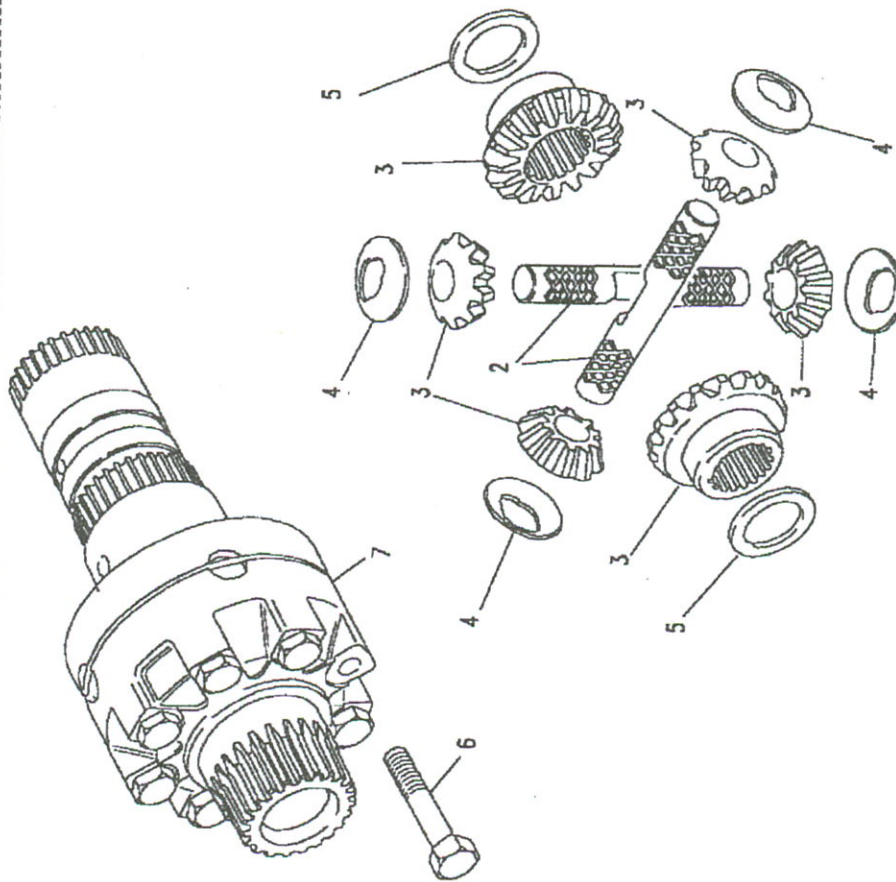




Model DEFENDER 110 1987 onwards  
 Page AFDCGA1A

TRANSFER GEARBOX - DIFFERENTIAL - LT85

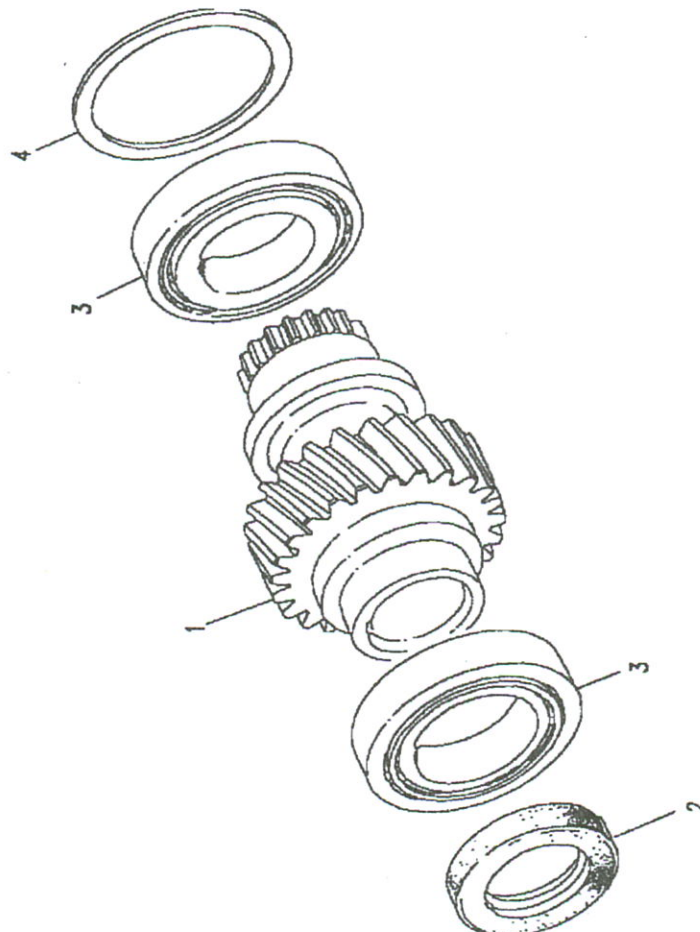
Ill. Part No.	Description	Qty	Remarks
1	FRC7926 Differential assembly	1	
2	RTC3397 Kit cross shaft	1	
3	RTC4490 Gears balanced set	1	
4	FRC6968 Washer thrust	4	
5	SELECTIVE THRUST WASHER		
	1.05mm	A/R	
	1.15mm	A/R	
	1.25mm	A/R	
	1.35mm	A/R	
	1.45mm	A/R	
6	BH110121L Bolt-differential case	8	
7	FRC7499 Ring retainer	1	



Model DEFENDER 110 1987 onwards  
 Page AFDCIA1A

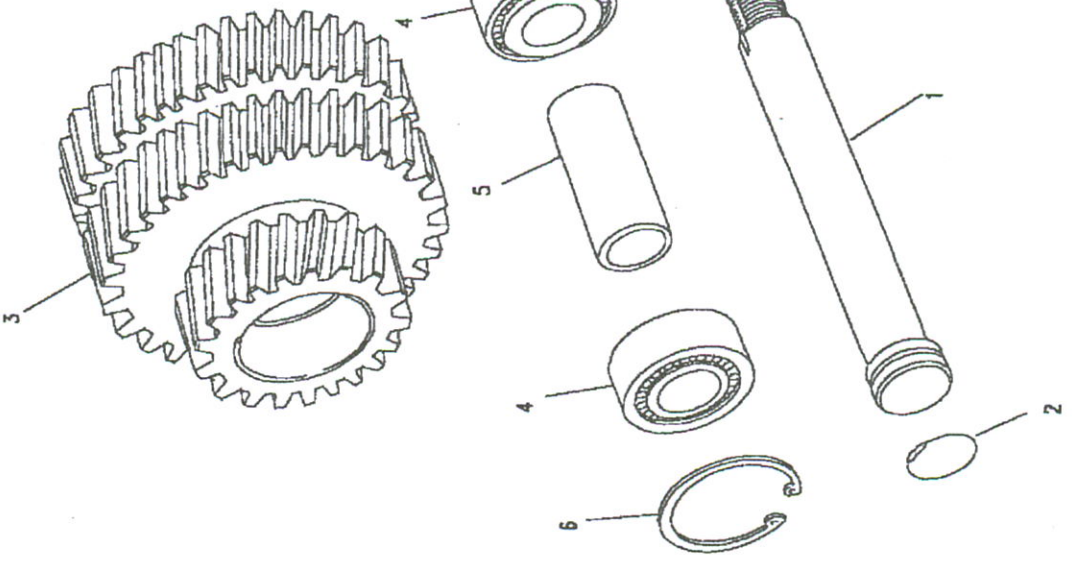
TRANSFER GEARBOX - MAINSHAFT - LT85

Ill. Part No.	Description	Qty	Remarks
1	Gear mainshaft	1	
2	Seal oil	1	Note(1)
3	Bearing	2	
4	SELECTIVE SHIMS		
	3.20	A/R	
	3.25	A/R	
	3.30	A/R	
	3.35	A/R	
	3.40	A/R	
	3.45	A/R	
	3.50	A/R	
	3.55	A/R	
	3.60	A/R	
	3.65	A/R	
	3.70	A/R	
	3.75	A/R	
	3.80	A/R	
	3.85	A/R	
	3.90	A/R	
	3.95	A/R	
	4.00	A/R	



Note(1) Part of gasket kit RTC3890





Model DEFENDER 110 1987 onwards  
 Page AFDCIA2A

TRANSFER GEARBOX - INTERMEDIATE SHAFT - LT85

Ill. Part No.	Description	Qty	Remarks
1	Intermediate shaft	1	
2	O'ring-shaft	1	Note(1)
3	Gear inter	1	
4	Bearing	2	
5	Spacer collapsible	1	
6	Circlip	2	
7	Plate-anti rotation	1	
8	Nut-anti rotation	1	
9	Nut-intermediate shaft	1	
10	Screw	1	
	Washer	1	

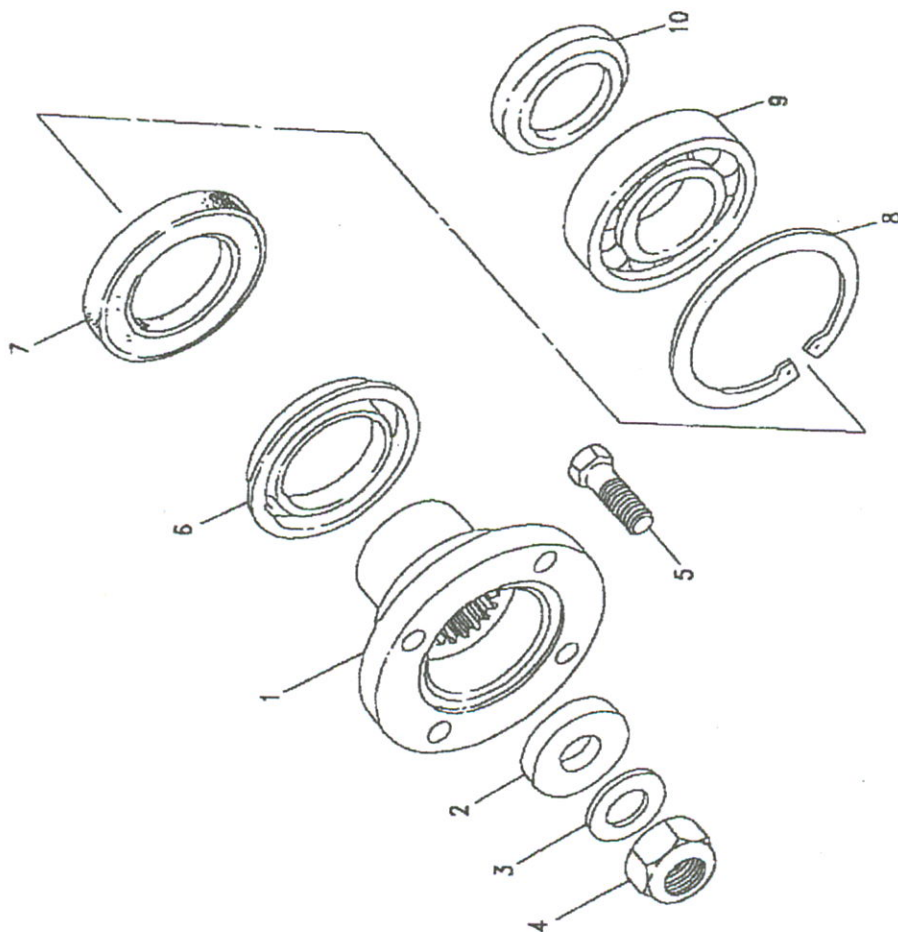
Note(1) Part of gasket kit RTC3890

Model DEFENDER 110 1987 onwards  
 Page AFDCIA3A

TRANSFER GEARBOX - FRONT FLANGE - LT85

Ill. Part No.	Description	Qty	Remarks
1	Flange-front output	1	
2	Washer sealing	1	Note(1)
3	Washer-shaft	1	
4	Nut-shaft	1	
5	Bolt-flange	4	
6	Mudshield	1	
7	Seal oil	1	Note(1)
8	Circlip	1	
9	Bearing	1	
10	Spacer	1	

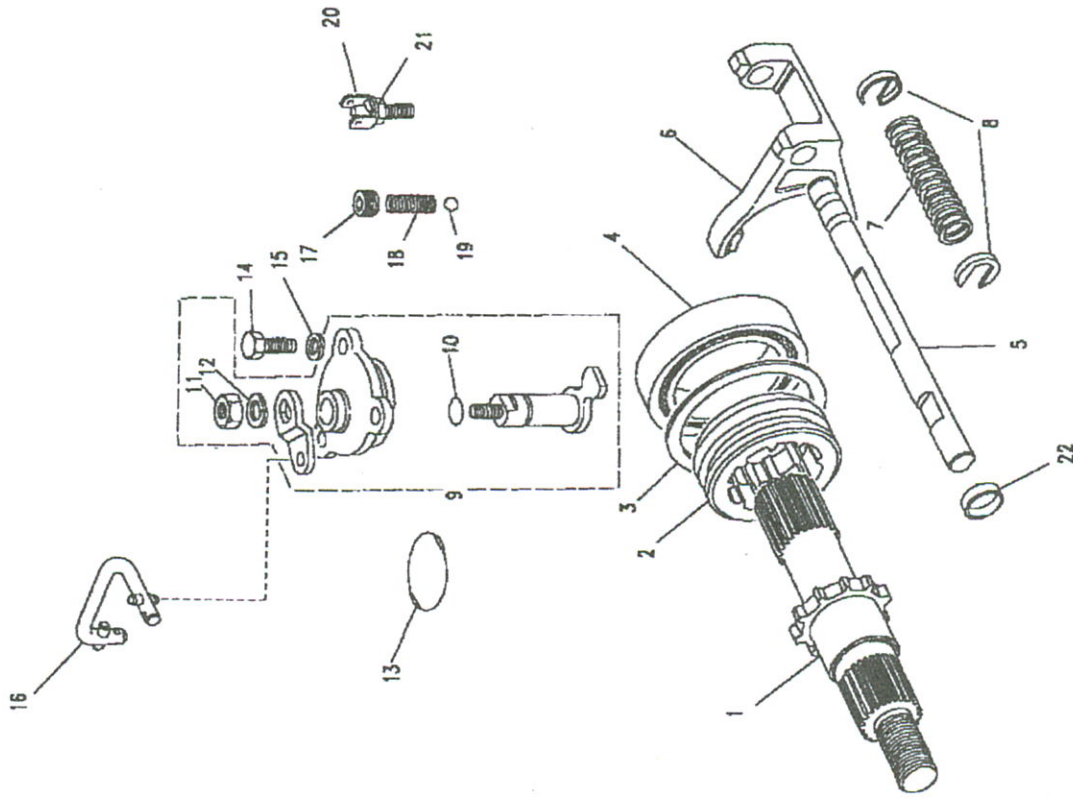
Note(1) Part of gasket kit RTC3890



Model DEFENDER 110 1987 onwards  
 Page AFDC/A5A

TRANSFER GEARBOX - FRONT OUTPUT SHAFT - LT85

III. Part No.	Description	Qty	Remarks
1	Shaft front output	1	
2	Dog clutch-front drive	1	
3	O'ring-dog clutch	1	
	SELECTIVE SHIMS		
FTC726	2.00mm	1	
FTC278	Washer	1	
FTC730	2.10mm	1	
FTC732	2.15mm	1	
FTC734	2.20mm	1	
FTC736	2.25mm	1	
FTC738	2.30mm	1	
FTC740	2.35mm	1	
FTC742	2.40mm	1	
FTC744	2.45mm	1	
FTC746	2.50mm	1	
FTC748	2.55mm	1	
FTC750	2.60mm	1	
FTC752	Shim	1	
FTC754	2.70mm	1	
FTC756	2.75mm	1	
FTC758	2.80mm	1	
FTC760	Shim 2.85mm	1	
FTC762	2.90mm	1	
FTC764	2.95mm	1	
FTC766	3.00mm	1	
FTC768	3.05mm	1	
FTC770	3.10mm	1	
FTC772	3.15mm	1	
FTC774	3.20mm	1	
FTC776	3.25mm	1	

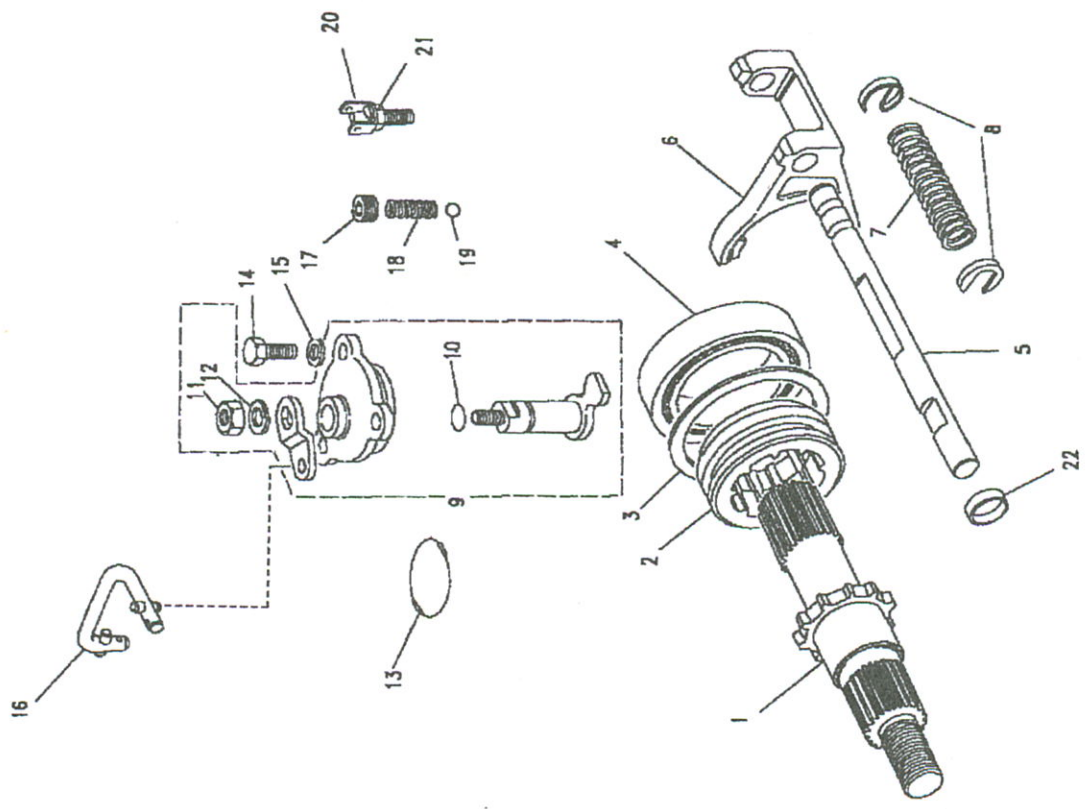




Model DEFENDER 110 1987 onwards  
 Page AFDCIA5A

TRANSFER GEARBOX - FRONT OUTPUT SHAFT - LT85

Ill. Part No.	Description	Qty	Remarks
4	Bearing-taper	1	
5	Shaft selector-diff lock	1	
6	Fork selector-diff lock	1	
7	Spring-diff lock	1	
8	Clip-spring	2	
9	Housing assembly	1	
10	'O'ring	1	
11	Nut	1	
12	Washer	1	
13	'O'ring	1	
14	Screw	3	
15	Washer	3	
16	Link connecting assembly	1	
17	Plug-detent	1	
18	Spring-detent	1	
19	Ball-detent	1	
20	Switch-diff lock	1	
21	Lock nut-switch	1	
22	Plug-selector shaft	1	

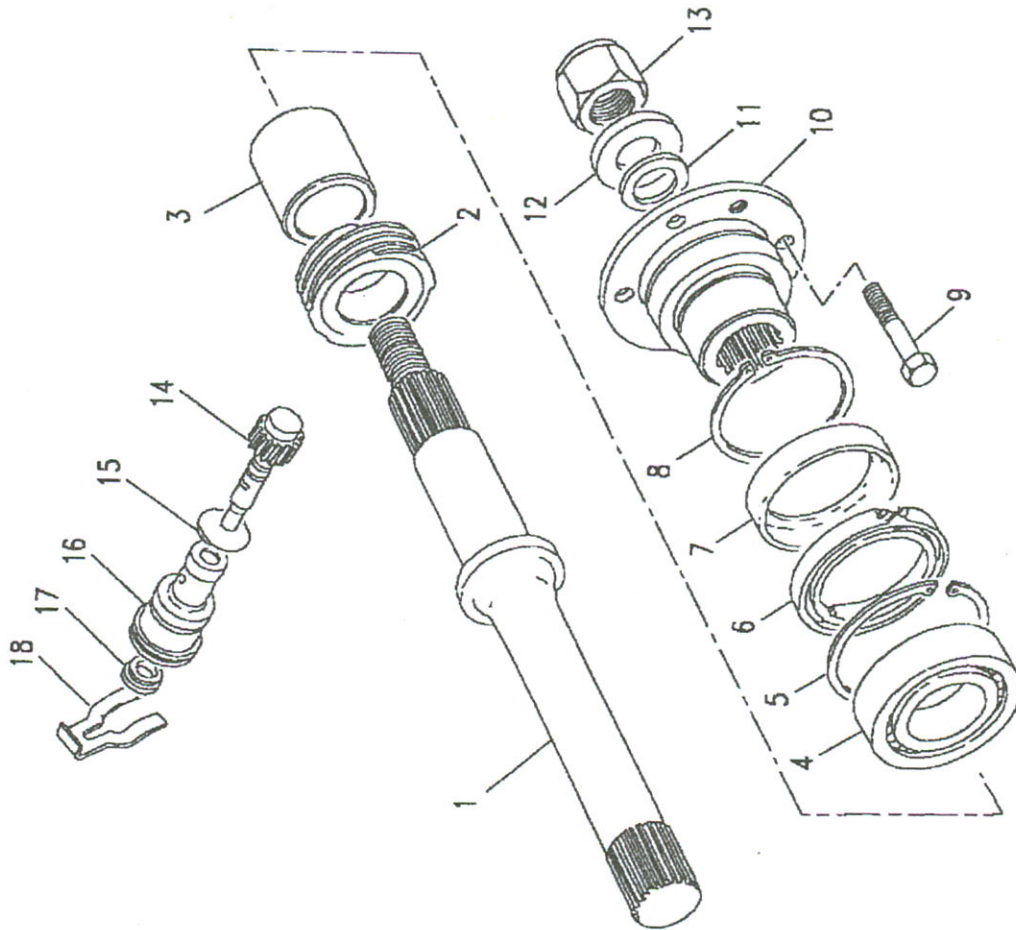


**Model** DEFENDER 110 1987 onwards  
**Page** AFDCIA4A.

**TRANSFER GEARBOX - REAR FLANGE - LT85**

Ill. Part No.	Description	Qty	Remarks
1	Shaft-rear output	1	
2	Worm speedo	1	
3	Spacer-speedo worm	1	
4	Bearing	1	
5	Circlip	1	
6	Seal oil	1	Note(1)
7	Shield oil	1	
8	Circlip	1	
9	Bolt	1	
10	Flange-rear output	1	
11	Washer sealing	1	Note(1)
12	Washer	1	
13	Nut	1	
14	Gear speedo drive	1	
15	'O'ring	1	Note(1)
16	Housing-speedo spindle	1	
17	Seal oil	1	Note(1)
18	Plate-retaining	1	

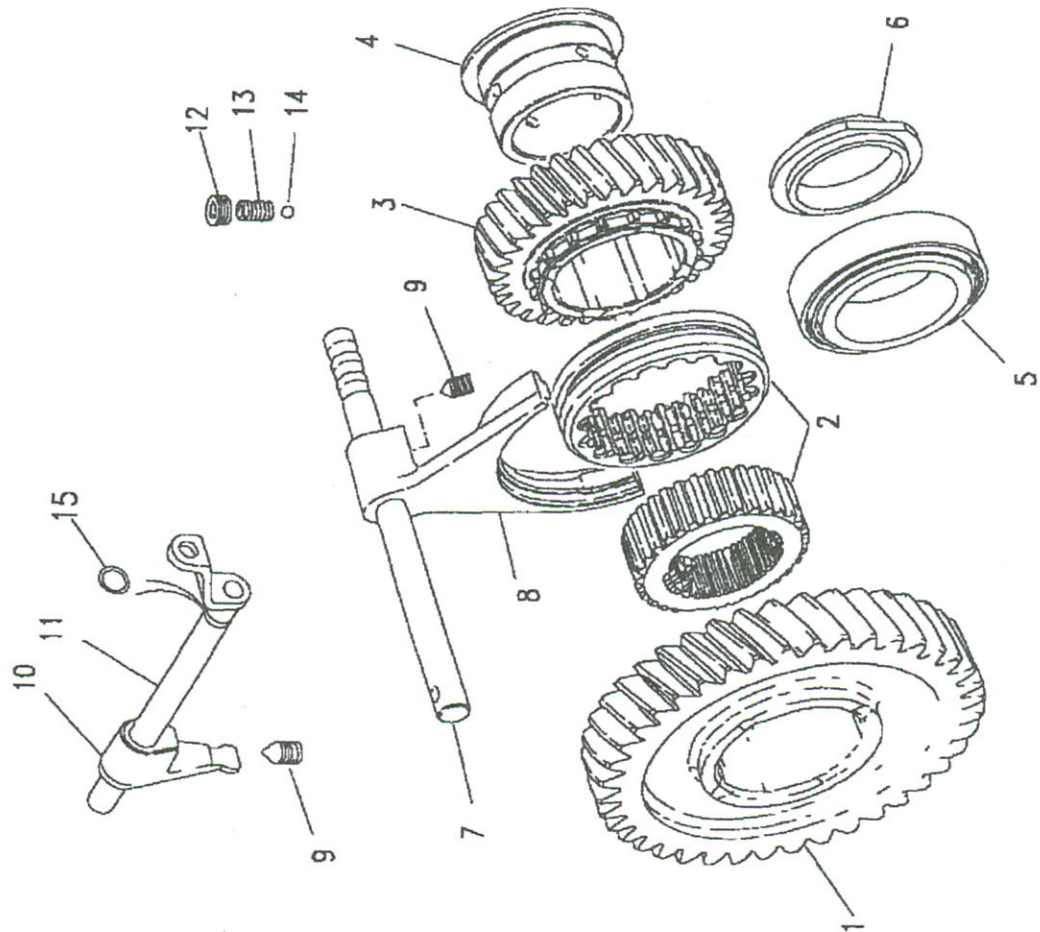
Note(1) Part of gasket kit RTC3890





Model DEFENDER 110 1987 onwards  
Page AFDCKA1A

TRANSFER GEARBOX - HIGH LOW GEARS - LT85



Ill. Part No.	Description	Qty	Remarks
1	FRC7434 Gear low	1	
2	RTC4373 Sleeve and hub assembly	1	
3	FRC7885 Gear-high output	1	
4	FRC7441 Bush	1	
5	606474 Bearing	1	
6	FRC7970 Nut-bearing retainer	1	
7	FRC9513 Shaft selector-high/low	1	
8	FTC2859 Fork-high/low selector	1	
9	FRC7018 Screw-selector forks	2	
10	FRC7929 Selector finger	1	
11	FRC8899 Arm operating-high/low	1	
12	FRC9548 Plug-detent	1	
13	FRC9546 Spring-detent	1	
14	571146 Ball-detent	1	
15	FRC5575 O ring	2	Note(1)

Note(1) Part of gasket kit RTC3890



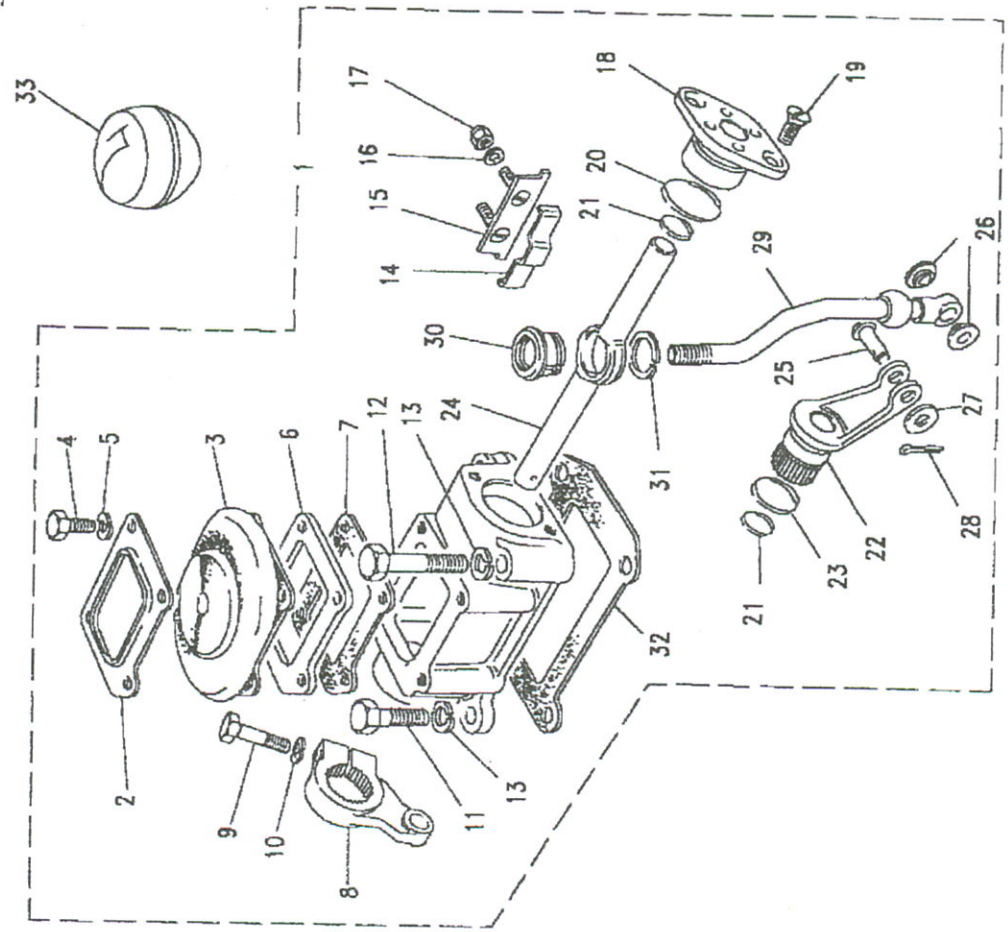


Model DEFENDER 110 1987 onwards  
Page AFDGMA1A

TRANSFER GEARBOX - GEAR CHANGE - LT85

Ill. Part No.	Description	Qty	Remarks
1	Gear change assembly	1	
2	Plate	1	
3	Grommet	1	
4	Screw m6 x 20	4	
5	Washer	4	
6	Gate plate	1	
7	Gasket	1	Note(1)
8	Arm operating	1	
9	Bolt	1	
10	Washer	1	
11	Screw	2	
12	Bolt flanged	2	
13	Washer-spring	4	
14	Detent-spring	1	
15	Retainer-spring	1	
16	Washer	2	
17	Nut	2	
18	Cover end	1	

Note(1) Part of gasket kit RTC3890



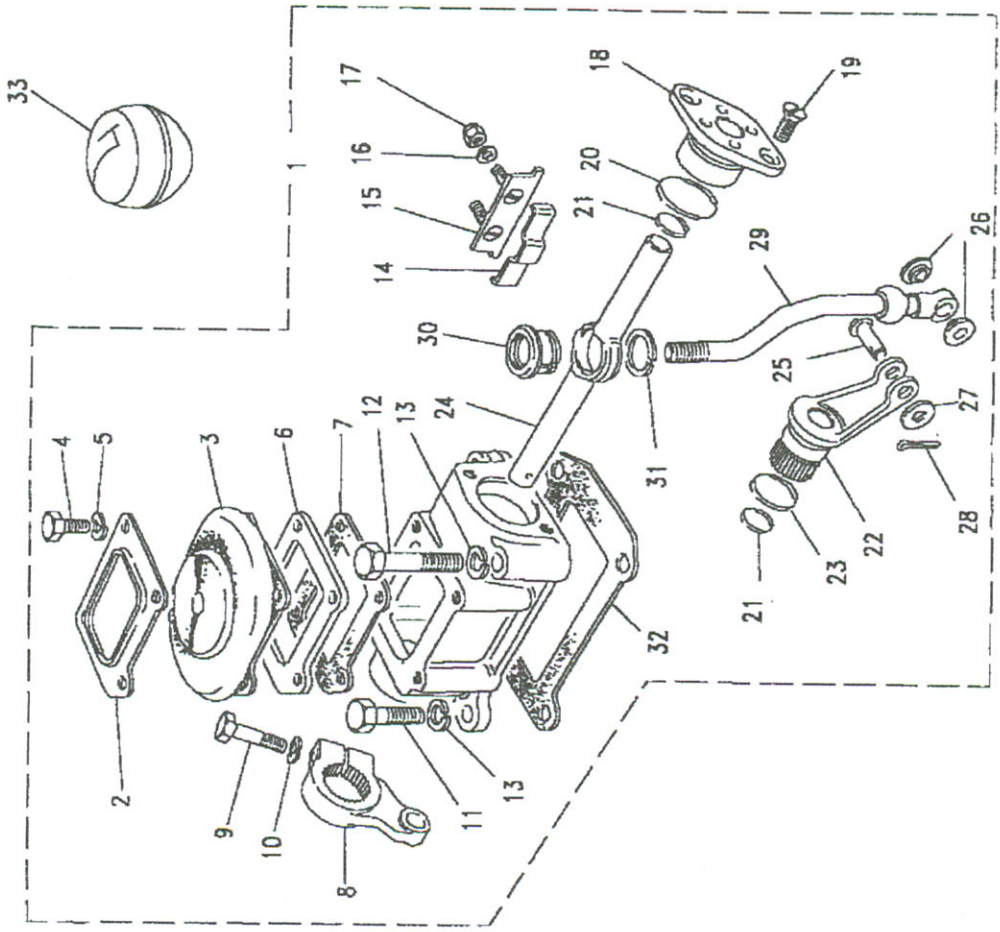


Model DEFENDER 110 1987 onwards  
Page AFDCMA1A

TRANSFER GEARBOX - GEAR CHANGE - LT85

Ill. Part No.	Description	Qty	Remarks
19	Screw	2	
20	'O'ring	1	Note(1)
21	'O'ring	2	Note(1)
22	Arm crank	1	
23	'O'ring	1	Note(1)
24	Cross shaft	1	
25	Clevis pin	1	
26	Bush	2	
27	Washer	1	
28	Split pin	1	
29	Lever	1	
30	Seat-gear lever	1	
31	Circlip	1	
32	Gasket	1	Upto 20D299332E
	Gasket	1	From 20D299333E
	Plug-housing	1	
	Knob	1	Note(2)
	Knob	1	Note(3)

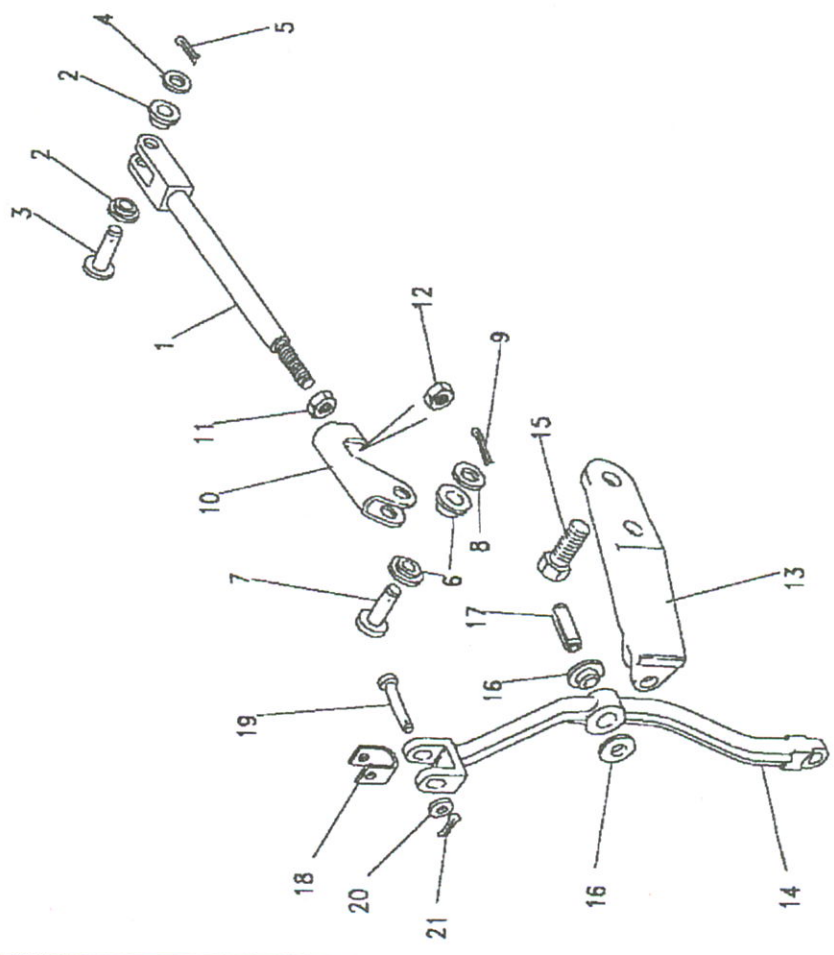
Note(1) Part of gasket kit RTC3890  
Note(2) Up to LA935624  
Note(3) From LA935625



Model DEFENDER 110 1987 onwards  
 Page AFDCMA2A

TRANSFER GEARBOX - ROD ASSEMBLY - LT85

Ill. Part No.	Description	Qty	Remarks
1	Rod connecting assembly	1	
2	Bush	2	
3	Clevis pin	1	
4	Washer	1	
5	Split pin	1	
6	Bush	2	
7	Clevis pin	1	
8	Washer	1	
9	Split pin	1	
10	Clevis-high/low	1	
11	Nut	1	
12	Nut	1	
13	Bracket pivot-lever	1	
14	Lever-cross shaft/diff	1	
15	Screw	2	
16	Bush	2	
17	Pin-spirol roll	1	
18	Nylon strip	1	
19	Clevis pin	1	
20	Washer	1	
21	Split pin	1	







DEFENDER 110 1987 onwards

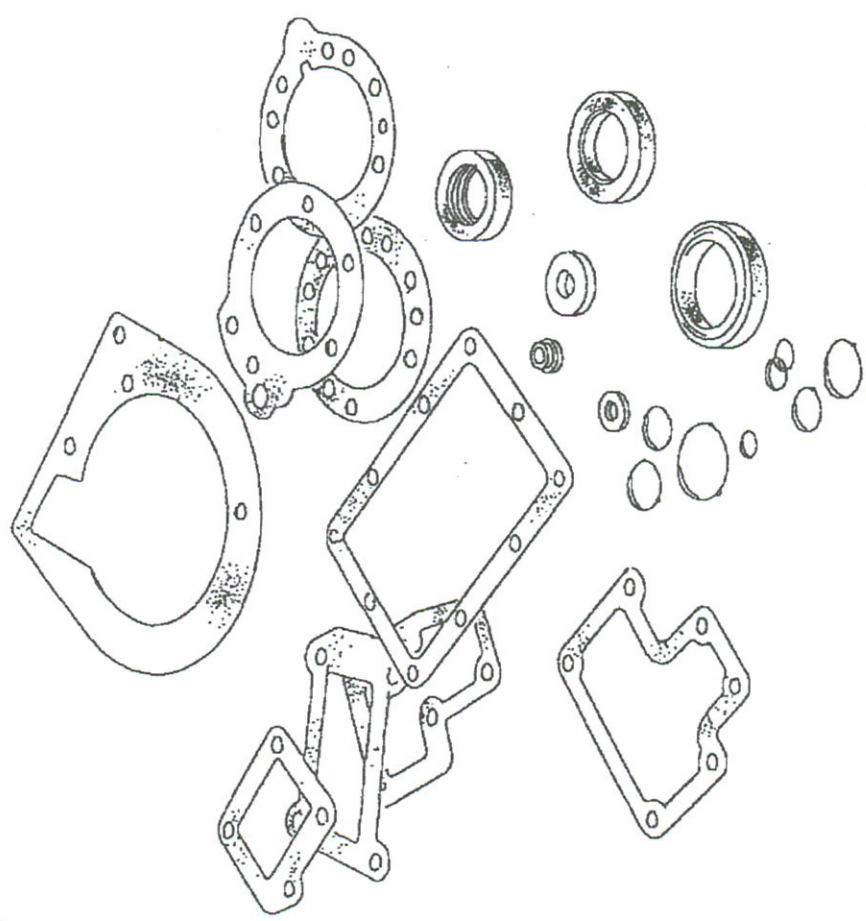
396

TRANSFER BOX

Model DEFENDER 110 1987 onwards  
Page AFDCPA1A

TRANSFER GEARBOX - GASKET KIT - LT85

Ill. Part No.	Description	Qty	Remarks
1 RTC3890	Kit gasket and seal	1	



75 6973

1



**Model** DEFENDER 110 1987 onwards  
**Page** AFDCRA1A

**TRANSFER GEARBOX - TRANSMISSION BRAKE - LT85**

Ill. Part No.	Description	Qty	Remarks
1	Back plate	1	)
2	Brake shoe set	1	) Upto JULY 1989
3	Adjuster assembly	1	)
	Kit-adjuster	1	)
1	Back plate	1	) From JULY 1989
2	Brake shoe set	1	)
3	Adjuster assembly	1	)
	Kit-adjuster	1	)
4	Expander assembly	1	Note(1)
	Kit-expander	1	
5	Drawlink-with locknut	1	OLD TYPE
6	Spring-shoe return(green)	2	Upto JULY 1989
6	Spring-shoe return set	1	From JULY 1989
7	Cover dust	1	
8	Plate-locking	1	
9	Plate-packing	1	
10	Plate-spring	1	
11	Bolt	2	
12	Washer	2	
13	Brake drum	1	
14	Screw-fixing drum	2	
15	Screw	4	
16	Oil catcher	1	Note(1)
17	Expander assembly	1	NEW TYPE
18	Drawlink	1	

Note(1)

When ordering AEU2734 the NEW TYPE drawlink will be supplied.

