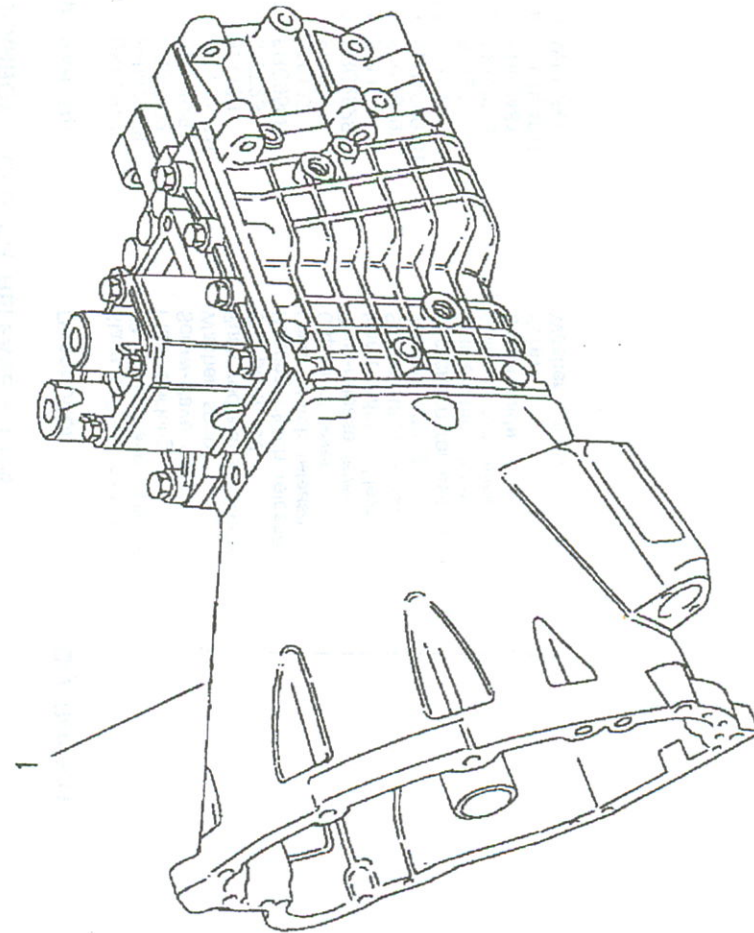


Model DEFENDER 110 1987 onwards
Page AFCGAA1A

GEARBOX - GEARBOX ASSEMBLY - LT85



III. Part No.	Description	Qty	Remarks
1	Gearbox assembly	1	Note(1)
FTC322N	Gearbox-reconditioned	1	22C only
FRC7904R	Gearbox-reconditioned	1	20C only

Note(1) Gearbox Number 20C00001/22C00001



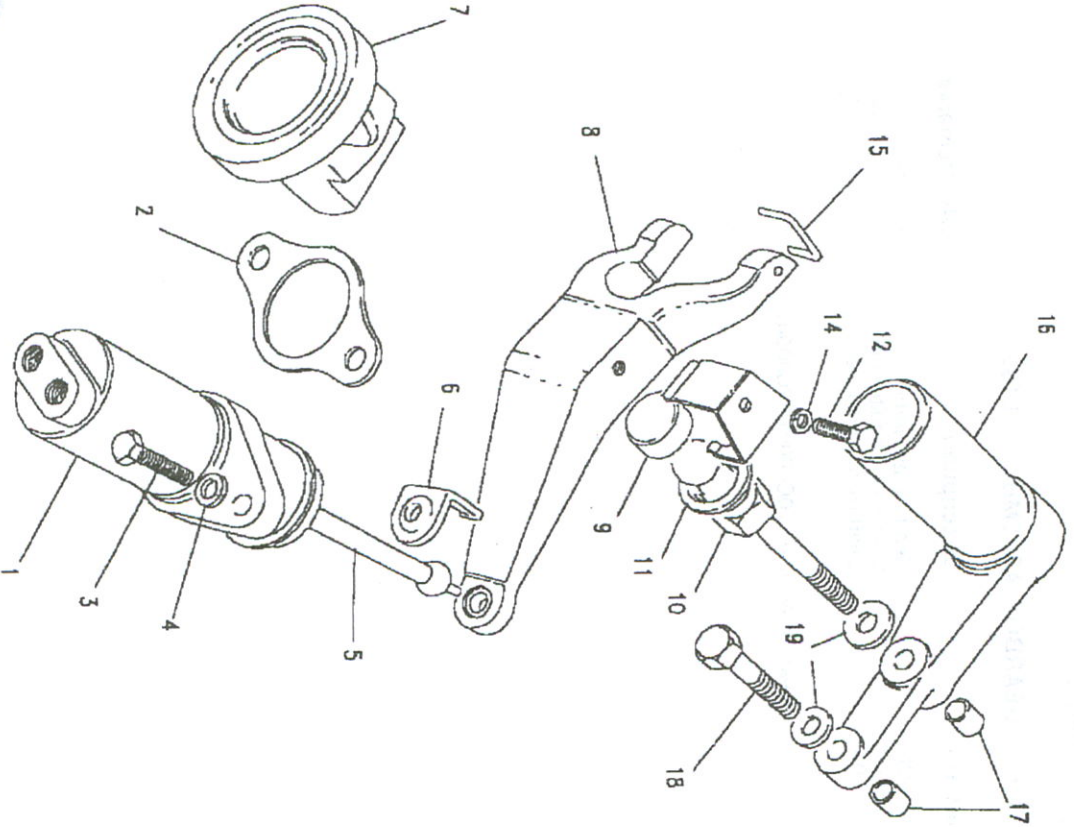
DEFENDER 110 1987 onwards

347

GEARBOX

Model DEFENDER 110 1987 onwards
Page AFCGCA1A

GEARBOX - CLUTCH RELEASE - LT85



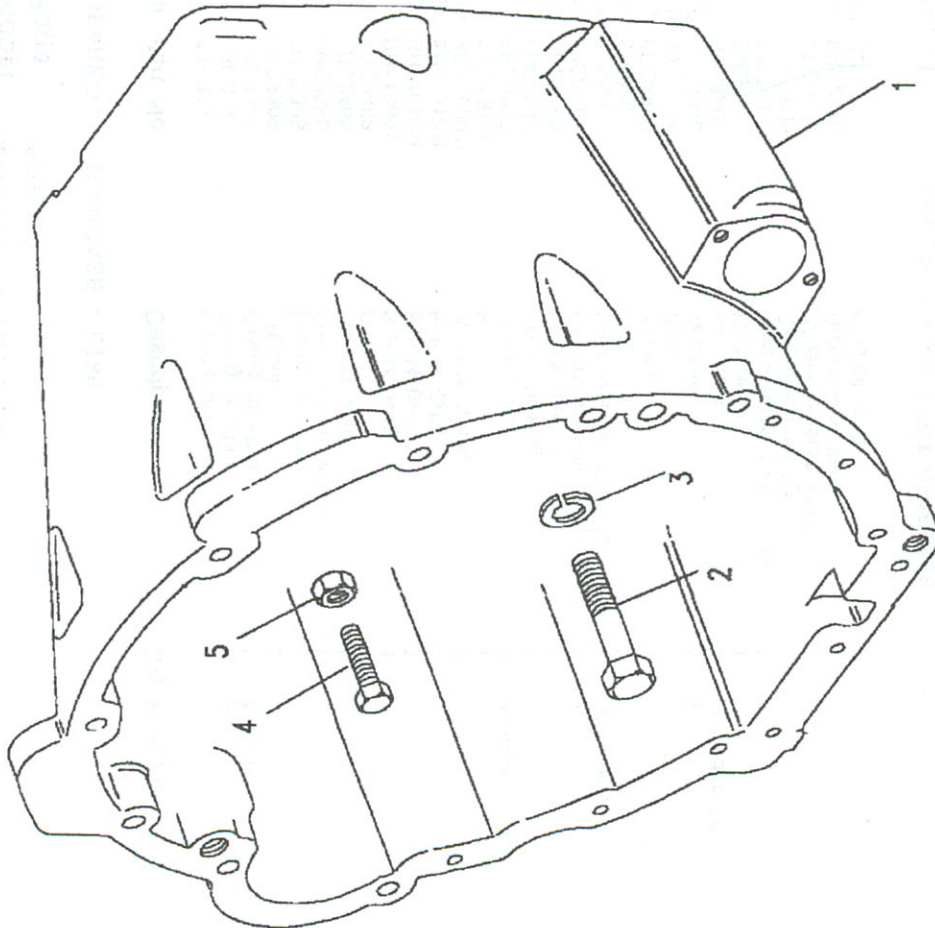
III. Part No.	Description	Qty	Remarks
1 UKC8677L	Slave cylinder-clutch	1	
2 BHM7063L	Kit repair-slave cylinder	1	
3 FRC2402	Plate backing	1	
4 SH108251L	Screw-slave cylinder	2	
5 WL108001L	Washer spring	2	
6 571180	Push rod-slave cylinder	1	
7 576723	Clip-push rod	1	
8 FRC9568	Bearing clutch release	1	
9 576137	Lever clutch release	1	
10 FRC2975	Cap-pivot lever	1	
11 FRC2528	Pivot-release lever	1	
12 571161	Insert-clutch rail/lever	1	
13 SH106101L	Screw-clutch rail/lever	1	
14 WM106001L	Washer spring	1	
15 571163	Clip-clutch release lever	1	
16 576203	Staple-clutch lever	1	
17 FRC4803	Guide-clutch release	1	
18 FRC2481	Dowel-guide	2	
19 SH108401L	Screw	1	
WL108001L	Washer spring	2	



Model DEFENDER 110 1987 onwards
Page AFCGEA1A

GEARBOX - BELL HOUSING - LT85

III. Part No.	Description	Qty	Remarks
1	FRC8529	1	
2	BH112141L	6	
3	WL112001L	6	
4	SH106301L	1	
5	NH106041L	1	
	3290	1	Plug WADING





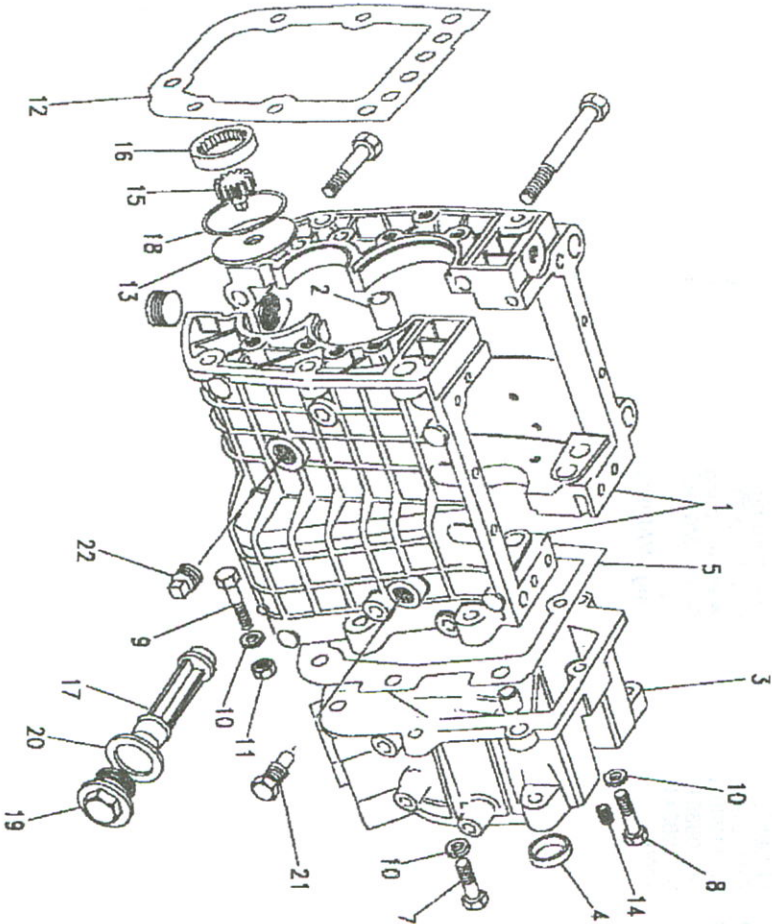
DEFENDER 110 1987 onwards

349

GEARBOX

Model DEFENDER 110 1987 onwards
Page AFCGEA2B

GEARBOX - GEARCASE - LT85



III. Part No.	Description	Qty	Remarks
1	FRC3731 Casing gearbox	1	20C
	FRC8397 Casing gearbox	1	22C
	FRC9524 Casing gearbox	1	Note(1)
2	FRC2309 Dowel	2	
3	FRC5306 Extension case	1	
4	FRC2365 Seal oil extension case	1	
5	FRC2465 Washer joint	1	
6	FRC2482 Dowel	2	
7	BH110091L Bolt-M10x45	3	
8	BH110101L Bolt-M10x50	3	
9	BH110121L Bolt-M10x60	2	
10	NH110041L Washer spring	8	
11		1	
12	FRC3073 Nut	2	Note(2)
13	FRC2542 Washer joint	1	
14	FRC3166 Plate blanking	1	
15	90571086 Screw grub	1	
16	591227 Gear-internal-oil pump	1	
17	576220 Filter	1	20C only
18	FRC2468 Gear-external-oil pump	1	
19	90571104 'O'ring	1	
20	FRC4810 Plug	1	
	51C820 Washer	1	
	608246 Kit gears	1	Asbestos free
	571944 Plug drain	1	
	PRC1039 Plug-reverse switch hole	1	
	FRC5674 Switch-reverse light	1	
	FRC5674 Washer-reverse switch	1	
21	FRC2370 Bolt-reverse lever	1	
22	3292 Plug-oil level	1	

Note(1) Prefix 22C but with SPLIT GEARCASE
Note(2) Use only 1 washer with SPLIT GEARCASE

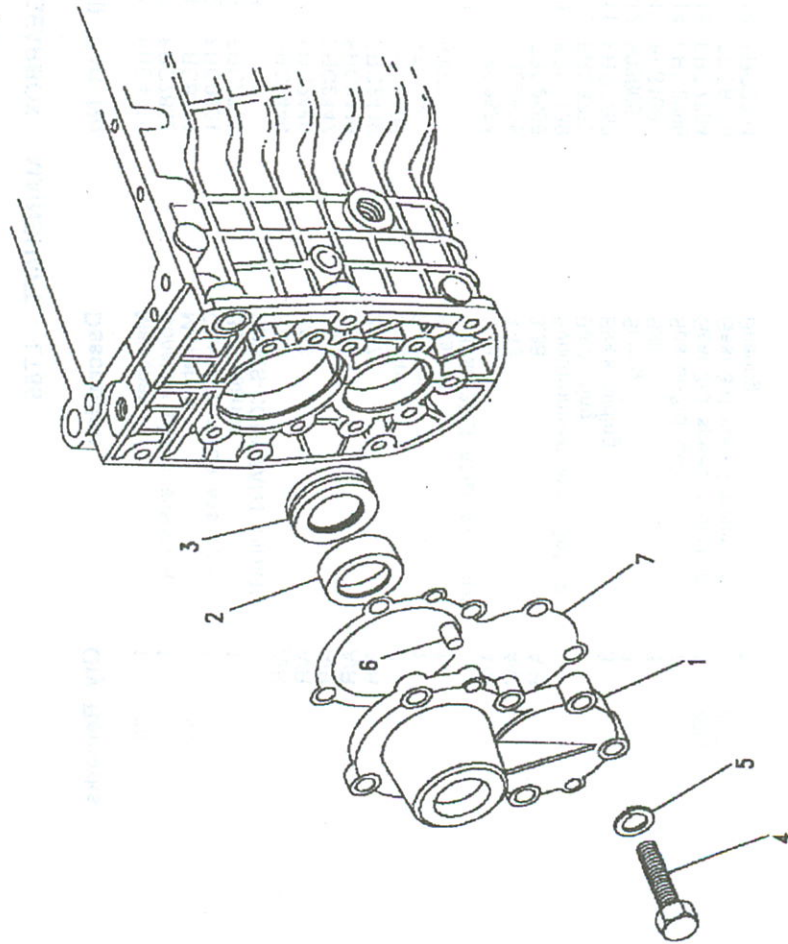


Model DEFENDER 110 1987 onwards
Page AFCGIA1A

GEARBOX - FRONT COVER - LT85

Ill. Part No.	Description	Qty	Remarks
1	FRC4875 Cover front assembly	1	20C
2	FRC9620 Cover front assembly	1	22C
3	GS108081L Screw grub	1	20C
4	FRC2361 Seal oil	1	
5	591394 Ring oil pick up	1	
6	SH108401L Screw	8	
7	WL108001L Washer spring	8	
	Dowel-front cover	2	
	Washer joint-front cover	1	20C
	Washer joint-front cover	1	Note(1)

Note(1) Prefix 22C - Washer has hole at the top only



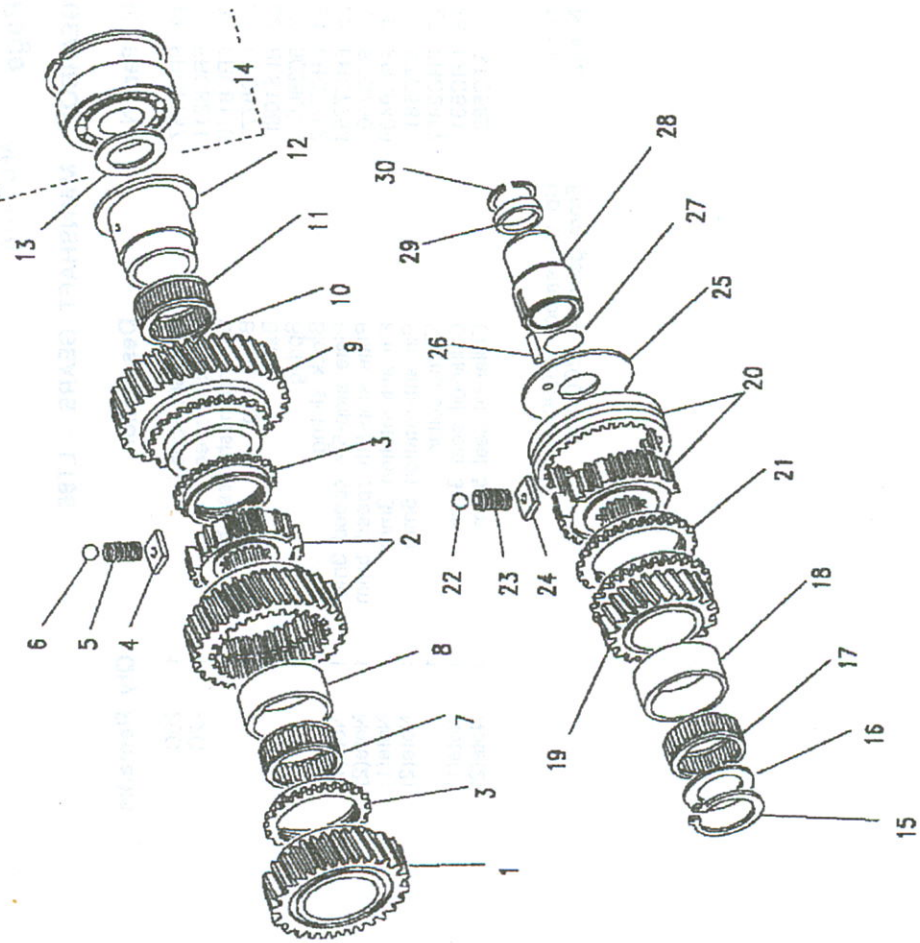


Model DEFENDER 110 1987 onwards
Page AFGIC1A

GEARBOX - MAINSHAFT GEARS - LT85

III. Part No.

Part No.	Description	Qty	Remarks
1	FRC7763 Gear-2nd speed mainshaft	1	20C
2	FRC8209 Gear-2nd speed mainshaft	1	22C
3	FRC8129 Synchronesh assy 1st/2nd	1	Note(1)
4	FRC9556 Synchronesh assy 1st/2nd	1	Note(2)
5	FRC8777 Baulk ring	2	
6	FRC7752 Block sliding	3	
7	503805 Spring	3	
8	BLS108L Ball	3	
9	FRC2334 Bearing	1	
10	FRC3898 Spacer-2nd speed	1	
11	FRC7761 Gear-1st speed mainshaft	1	20C
12	FRC8208 Gear-1st speed-mainshaft	1	22C
13	FRC3897 Bearing	1	
14	FRC2334 Bush-1st speed	1	
15	FRC8422 Shim 1st speed bush	1	
16	FRC8400 1.15mm	A/R	
17	FRC8401 1.20mm	A/R	
18	FRC8402 1.25mm	A/R	
19	FRC8403 1.30mm	A/R	
20	FRC8404 1.35mm	A/R	
21	FRC8405 1.40mm	A/R	
22	FRC8406 1.45mm	A/R	
23	Ball bearing	1	
24	Circlip	1	
25	Washer thrust-5th gear	1	
26	Needle bearing	1	
27	Spacer-5th gear	1	



Note(1) Prefix 20C and up to Prefix 22C00193
Note(2) Prefix 22C00194 onwards



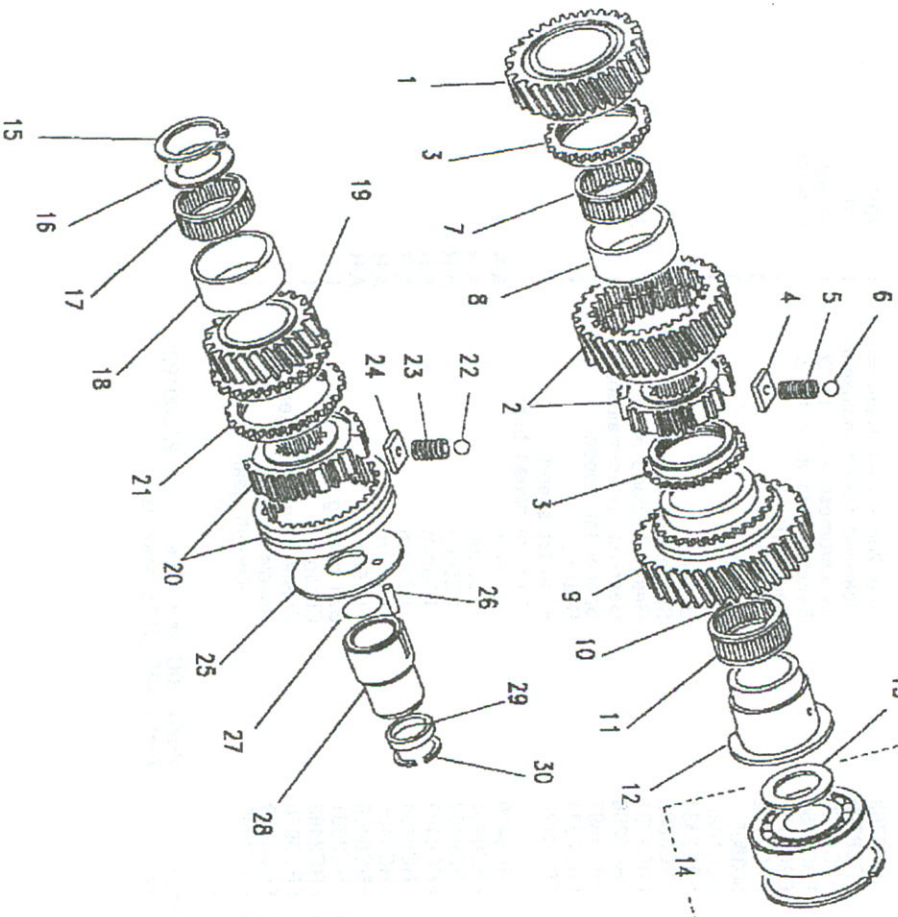
DEFENDER 110 1987 onwards

353

GEARBOX

Model DEFENDER 110 1987 onwards
Page AFCGIC1A

GEARBOX - MAINSHAFT GEARS - LT95



III. Part No.	Description	Qty	Remarks
19	FRC7757	1	20C
20	FRC8211	1	22C
21	FRC8176	1	
22	FRC8777	1	
23	BL5108L	3	
24	503805	3	
25	FRC7752	3	
26	FRC7753	1	Note(1)
27	STC700	1	Note(2)
28	FRC8409	1	Note(1)
	STC581	1	Note(2)
	FRC2457	1	
	FRC5317	1	
	STC582	1	Note(1)

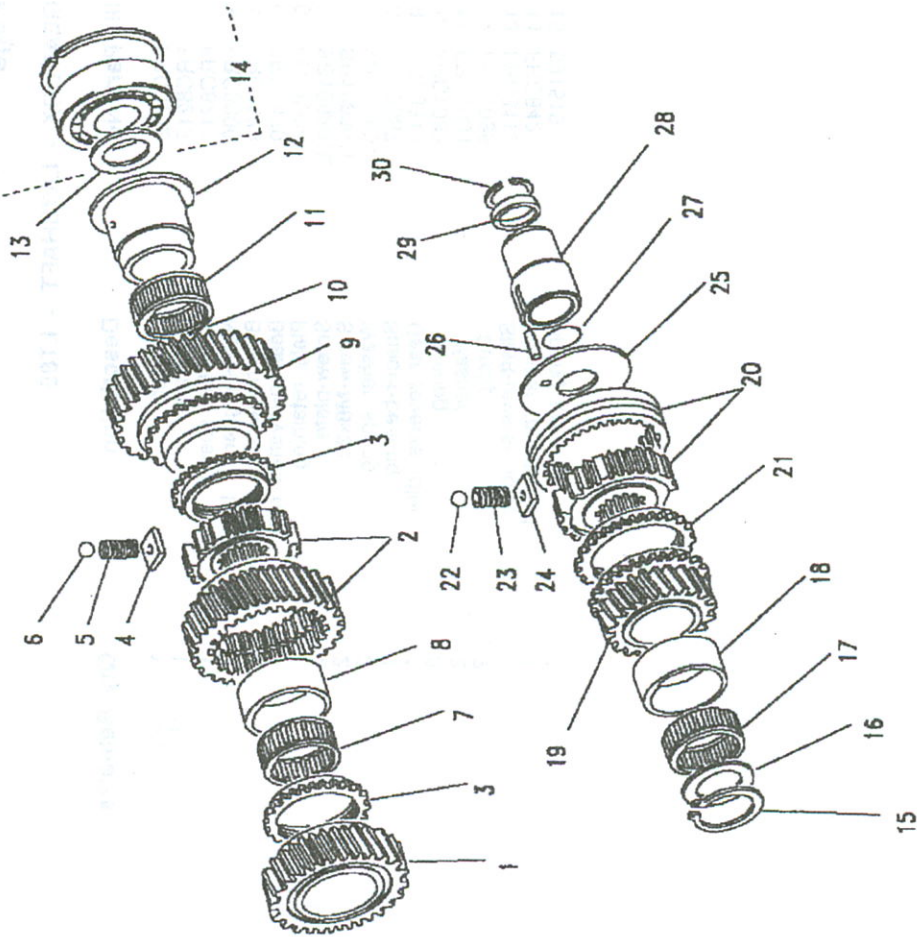
Note(1) Up to gearbox 22C00845
Note(2) From gearbox 22C00846



Model DEFENDER 110 1987 onwards
Page AFGGIC1A

GEARBOX - MAINSHAFT GEARS - LT85

Ill. Part No.	Description	Qty	Remarks
29	SUPPORT WASHER	A/R	
FRC5602	4.25	A/R	
FRC5603	4.30	A/R	
FRC5604	4.35	A/R	
FRC5605	4.40	A/R	
FRC5606	4.45	A/R	
FRC5607	4.50	A/R	
FRC5608	4.55	A/R	
FRC5609	4.60	A/R	
FRC5610	4.65	A/R	
FRC5611	4.70	A/R	
FRC5612	4.75	A/R	
FRC5613	4.80	A/R	
FRC5614	4.85	A/R	
FRC5615	4.90	A/R	
FRC5616	4.95	A/R	
FRC4494	Ring snap collar	1	





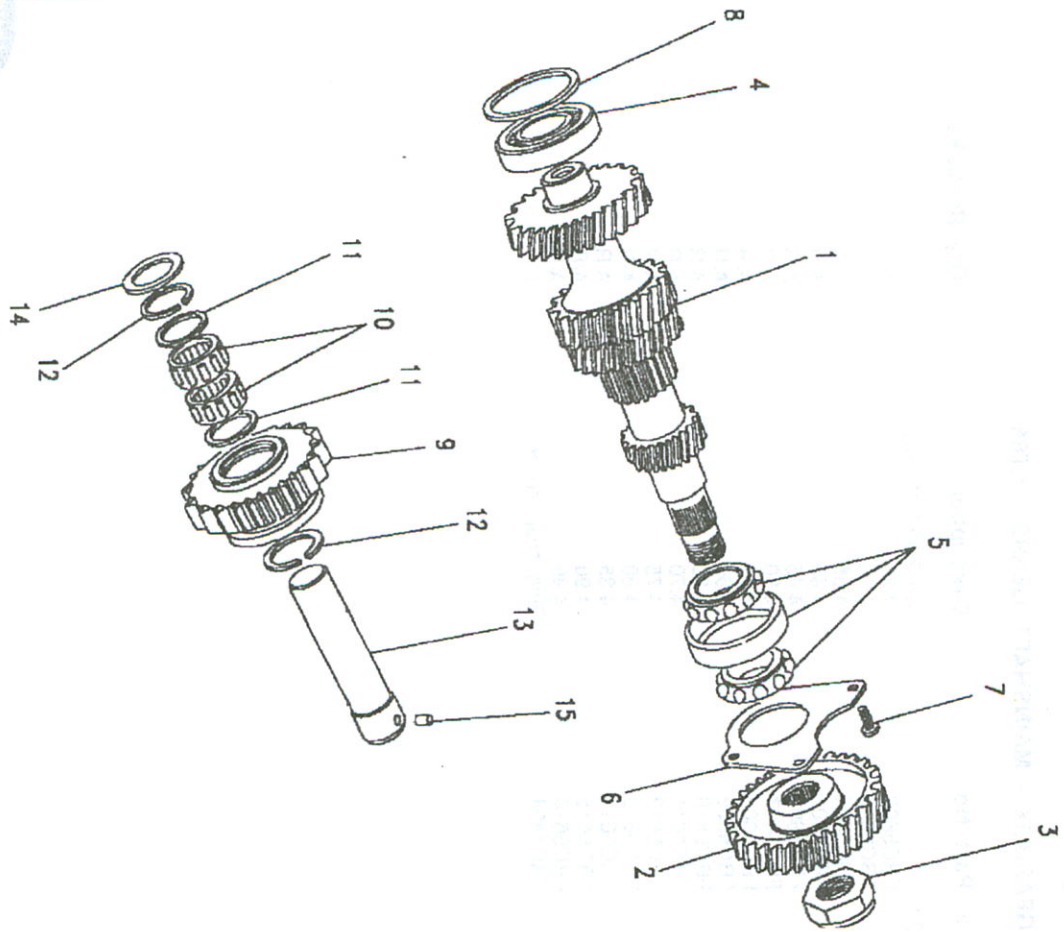
DEFENDER 110 1987 onwards

355

GEARBOX

Model DEFENDER 110 1987 onwards
Page AFCGIE1A

GEARBOX - LAYSHAFT - LT85



III. Part No.	Description	Qty	Remarks
1 FRC3732	Layshaft	1	20C
2 FRC8213	Layshaft	1	22C
3 FRC8211	Gear-5th speed	1	
4 FRC3806	Nut-5th gear to layshaft	1	
5 FRC2578	Bearing-layshaft front	1	
6 FRC2470	Bearing-layshaft rear	1	
7 FRC8380	Plate retaining	1	
8 SB108201L	Screw-plate	2	
9 SH108301L	Screw-MBx30	2	
10 WLL108001L	Washer spring	2	
11 FRC3987	Washer	1	
12 FRC3319	Spacer-bearing	1	
13 FRC1032	Gear reverse idler	1	
14 FRC1034	Bearing	2	
15 FRC1035	Washer	2	
16 FRC3112	Circlip	1	
17 FRC8421	Shaft-reverse idler	1	
18 591519	Washer thrust-shaft	1	
	Spring pin-shaft	1	

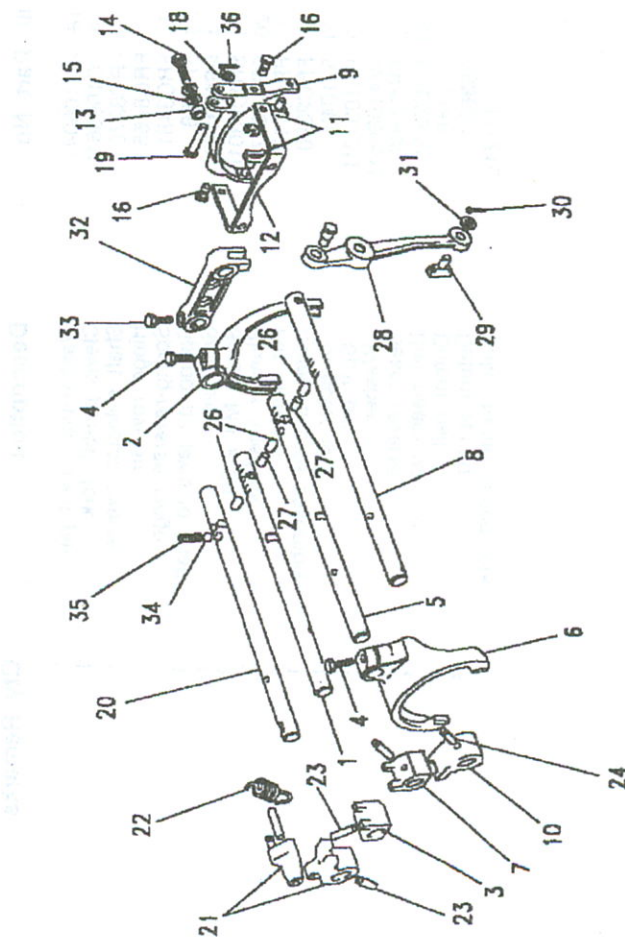




Model DEFENDER 110 1987 onwards
Page AFCGKA1A

GEARBOX - SELECTOR AND SHAFTS - LT85

Ill. Part No.	Description	Qty	Remarks
1	Shaft selector 1st/2nd	1	
2	Fork selector 1st/2nd	1	
3	Jaw selector 1st/2nd	1	
4	Bolt 1st/2nd	1	
5	Shaft selector 3rd/4th	1	
6	Fork selector 3rd/4th	1	
7	Jaw selector 3rd/4th	1	
8	Shaft selector 5th	1	
9	Fork selector 5th	1	
10	Jaw selector 5th	1	
11	Pad swivel-5th fork	2	
12	Bracket pivot 5th fork	1	
13	Dowel-bracket	2	
14	Screw M8x30	2	
15	Washer plain	2	
16	Pivot pin-5th fork	2	
17	Circlip-pivot pin	2	





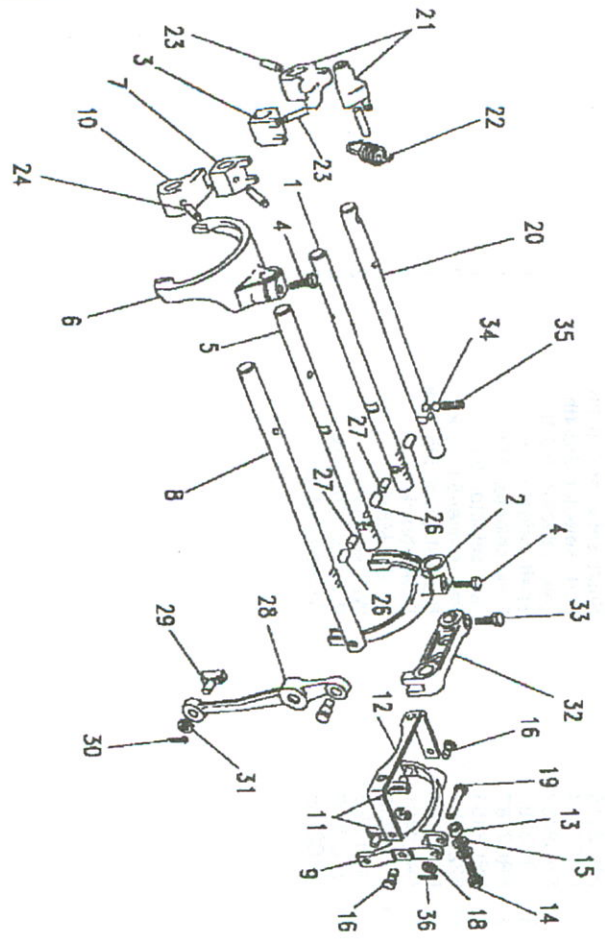
DEFENDER 110 1987 onwards

357

GEARBOX

Model DEFENDER 110 1987 onwards
Page AFCGKA1A

GEARBOX - SELECTOR AND SHAFTS - LT85 - CONTINUED



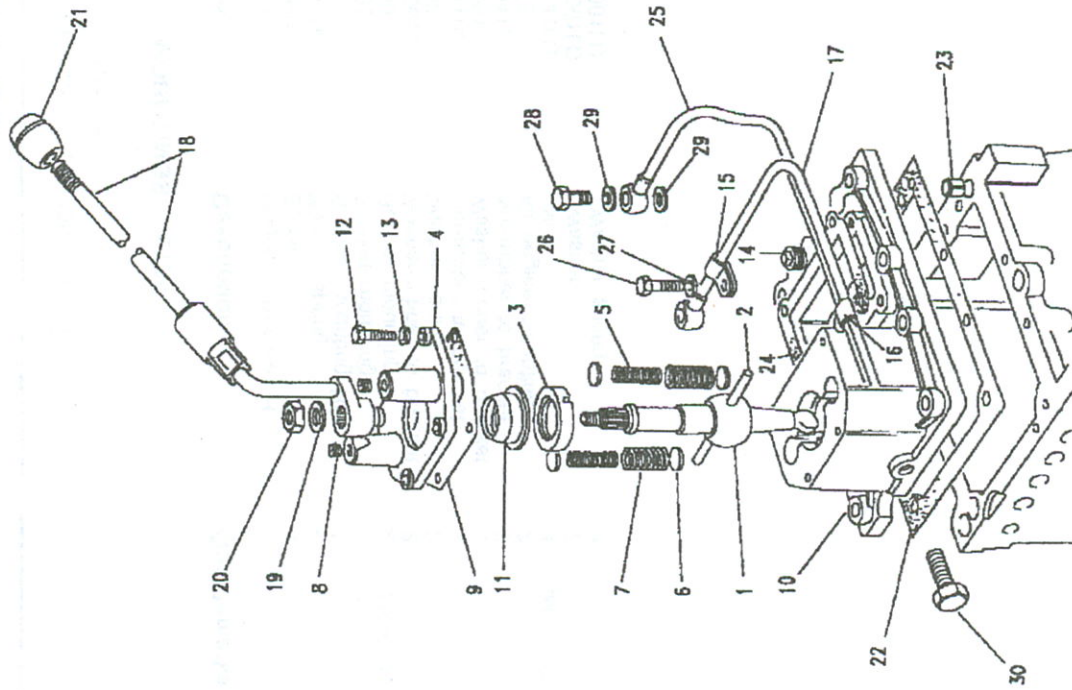
III. Part No.	Description	Qty	Remarks
18 WA106041L	Washer-plain-pivot pin	1	
19 PC106561L	Clevis pin-5th fork	1	
20 FRC8270	Shaft selector-reverse	1	
21 FRC8455	Hinge reverse	1	
22 FRC3481	Spring-reverse hinge	1	
23 571158	Spring pin-jaws to shaft	4	
24 PS103121L	Split pin	1	
25 SH108301L	Screw M8 x 30	2	
26 FRC2577	Plunger interlock	3	
27 FRC3117	Pin interlock	2	
28 FRC2390	Lever reverse assembly	1	
29 571043	Lever reverse assembly	1	
30 PS103121L	Split pin	1	
31 WA108051L	Washer	1	
32 FRC2368	Beam reverse	1	
33 FRC2370	Bolt beam reverse	1	
34 571146	Detent ball	4	
35 583802	Detent spring	4	
36 PS103121L	Split pin-5th speed fork	1	



Model DEFENDER 110 1987 onwards
Page AFCGKC1A

GEARBOX - GEAR LEVER - LT85

Ill. Part No.	Description	Qty	Remarks
1	FRC8250 Gear lever-LOWER	1	
2	FRC2622 Pin locating-gear lever	2	
3	FRC2612 Seat-gear lever lower	1	
4	FRC2583 Spring housing-gearchange	1	
5	FRC2587 Spring-bias-inner	2	
6	FRC2623 Disc-bias springs	4	
7	FRC3146 Spring-bias-outer	2	
8	GS112141L Screw grub-bias adjusting	2	
9	FRC2648 Washer joint	1	
10	FRC5698 Cover top-gearbox	1	
11	FRC8271 Grommet gear lever lower	1	
12	SH108251L Screw M6x25	4	
13	WL106001L Washer spring	4	
14	3292 Plug-filler-top cover	1	
15	BAU1689 Clip-single-breather pipe	1	
16	622324 Clip-double-breather pipe	1	
17	FRC9430 Breather to G/BOX	1	
18	FRC8863 Gear lever-UPPER	1	
19	WA110061L Washer	1	
20	NY110041L Nut	1	
21	FRC8722 Knob-gear lever	1	
22	FRC2487 Washer joint-top cover	1	
23	FRC2626 Spring pin-top cover	1	
24	FTC4036 Gasket-gear change	1	
25	FRC9429 Breather to T/BOX	1	
26	SH108401L Screw	8	
27	WL108001L Washer	8	
28	595478 Bolt banjo	2	
29	232039 Washer sealing	2	
30	Plug blanking	1	





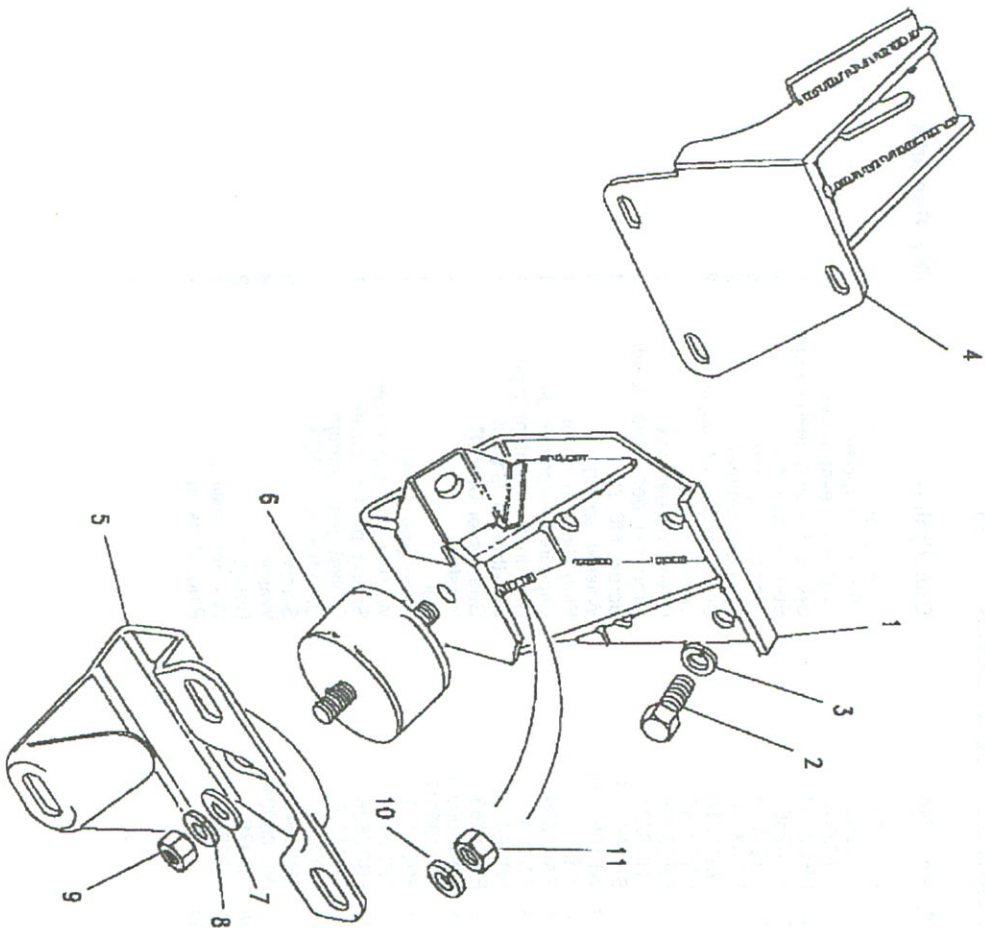
DEFENDER 110 1987 onwards

359

GEARBOX

Model DEFENDER 110 1987 onwards
Page AFCGMA1A

GEARBOX - MOUNTINGS - LT85



Ill. Part No.	Description	Qty	Remarks
1	NRC9501	1	
2	SH112251L	4	Mounting Bracket-LH
3	WL112001L	4	Screw
4	NTG1201	4	Washer spring
5	90575585	1	Bracket mounting RH
6	NTG5900	2	Bracket mounting
7	WD110061L	2	Rubber mounting
8	WL600061L	2	Washer-rubber to bracket
9	NH606041L	2	Washer spring
10	WL600061L	2	Nut-rubber to bracket
11	NH606041L	2	Washer-rubber to bracket
	RTC6115	2	Nut-rubber to bracket
	NH110041LD	4	Nut
	WC110061LD	4	Washer
	WL110001LD	4	Washer spring

IMPERIAL

METRIC

