

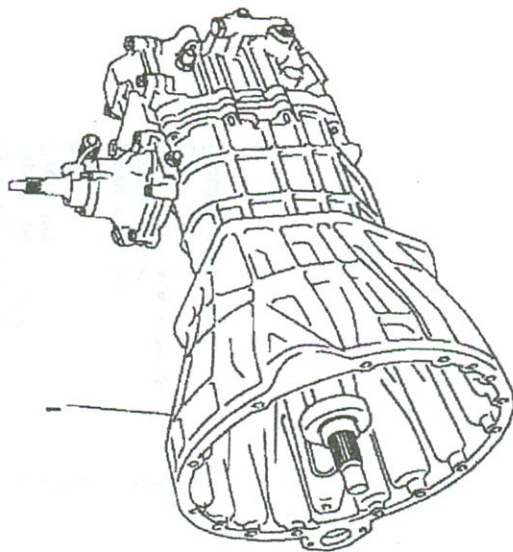
**Model** DEFENDER 110 1987 onwards  
**Page** AFCFAA1A

**GEARBOX - 5 SPEED - MANUAL**

Ill. Part No.	Description	Qty	Remarks
STC1546N	Gearbox assembly TDI	1	Note(1)
STC1547N	Gearbox assembly V8	1	Note(2)
STC1548N	Gearbox assy V8 Cooled	1	Note(3)
STC1549N	Gearbox assy 4 cyl P/D	1	Note(4)

Note(1)  
 Note(2)  
 Note(3)  
 Note(4)

Prefix 56A, suffix J  
 Prefix 60A, suffix J  
 Prefix 61A, suffix J  
 Prefix 50A, suffix J





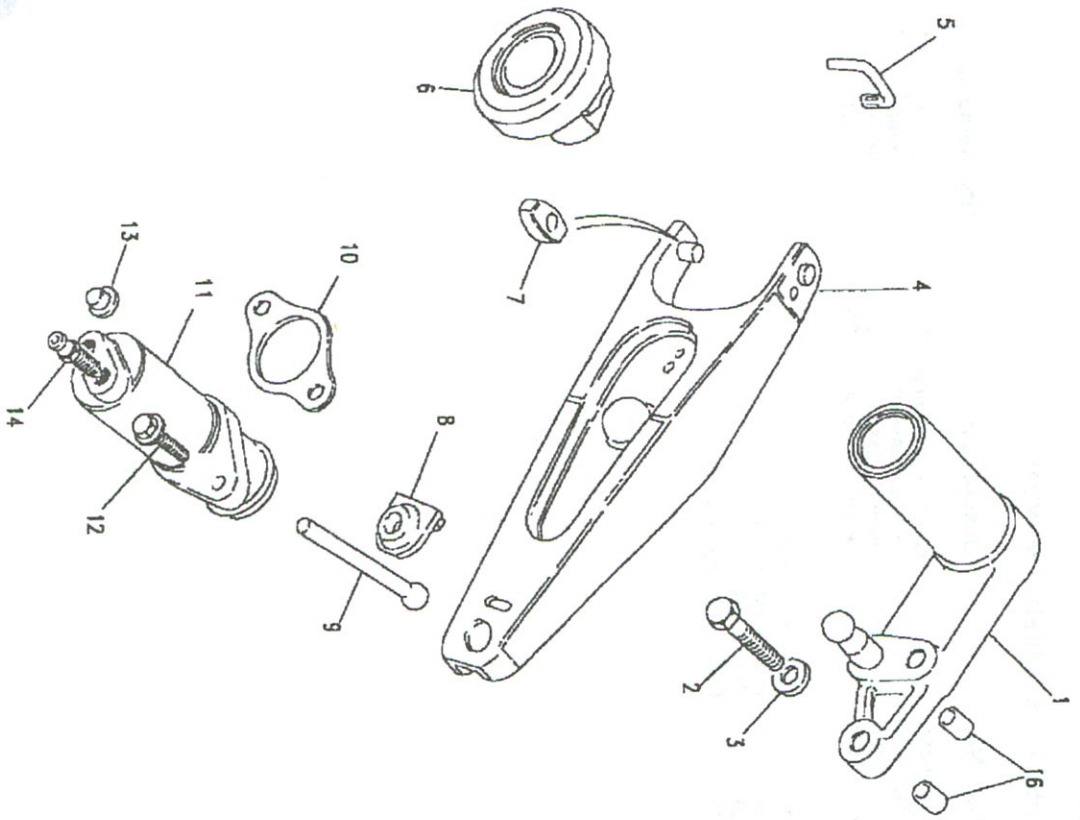
DEFENDER 110 1987 onwards

329

GEARBOX

Model DEFENDER 110 1987 onwards  
Page AFCFCA1A

GEARBOX - CLUTCH RELEASE MECHANISM - 4CYL PETROL R380



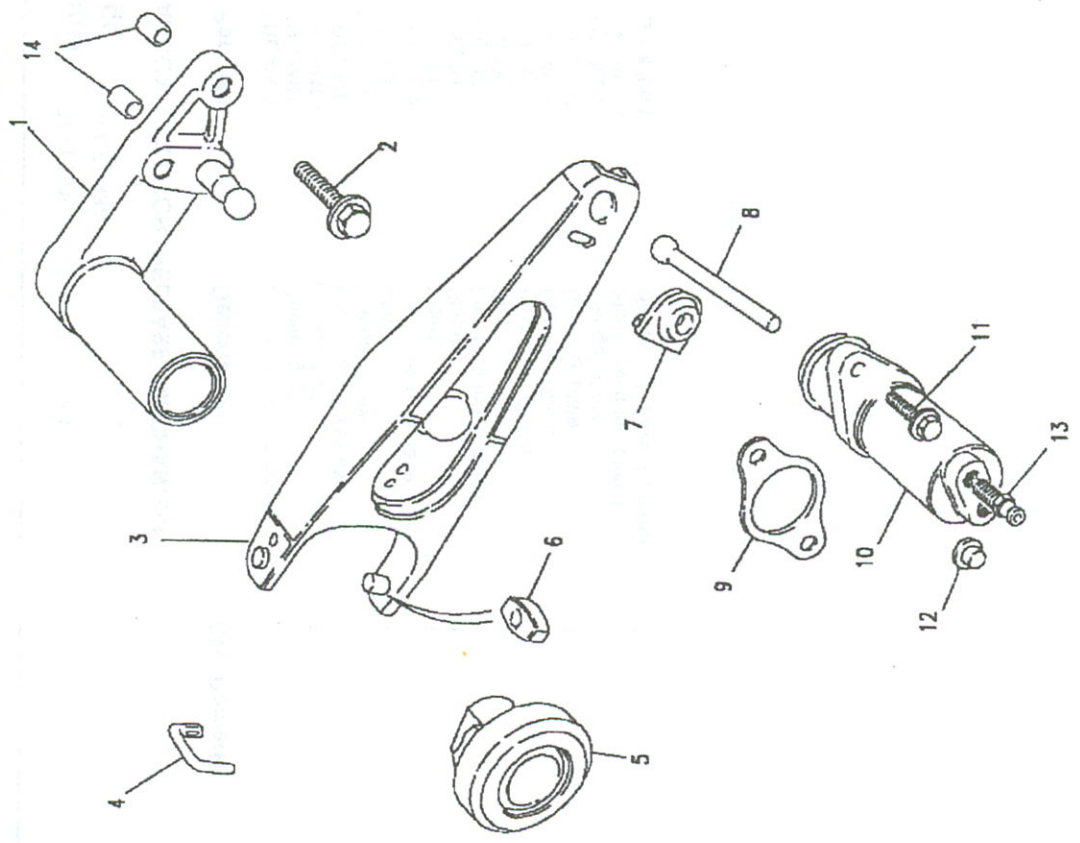
III. Part No.	Description	Qty	Remarks
1	FTC4177	1	Bearing clutch
2	FTC4173	1	Lever clutch release
3	FRC5255	2	Slipper pad clutch
4	FTC4174	1	Pivot plate
5	FB108061	2	Bolt
6	FRC3416	1	Staple
7	FRC8531	1	Slave cylinder clutch
8	FS108251	2	Flange screw
9	FTC4229	1	Push rod slave cylinder
10	FRC3327	1	Clip
11	NRC7441	1	Bracket jump hose



Model DEFENDER 110 1987 onwards  
 Page AFCFCA2A

III. GEARBOX - CLUTCH RELEASE MECHANISM - TDI

III. Part No.	Description	Qty	Remarks
1	FTC1271	1	Guide release bearing
2	FB108101	2	Flange bolt
3	FTC2957	1	Lever clutch release
4	FRC3416	1	Staple
5	FRC9588	1	Bearing clutch
6	FRC5255	2	Slipper pad clutch
7	FRC3327	1	Clip
8	FTC3912	1	Push rod clutch
9	FRC2402	1	Backing plate
10	FTC3911	1	Slave cylinder clutch
11	FB108161L	1	Flange bolt
12	594091	2	Dust cap
13	606733	1	Bleed screw
14	FRC2481	2	Dowel guide





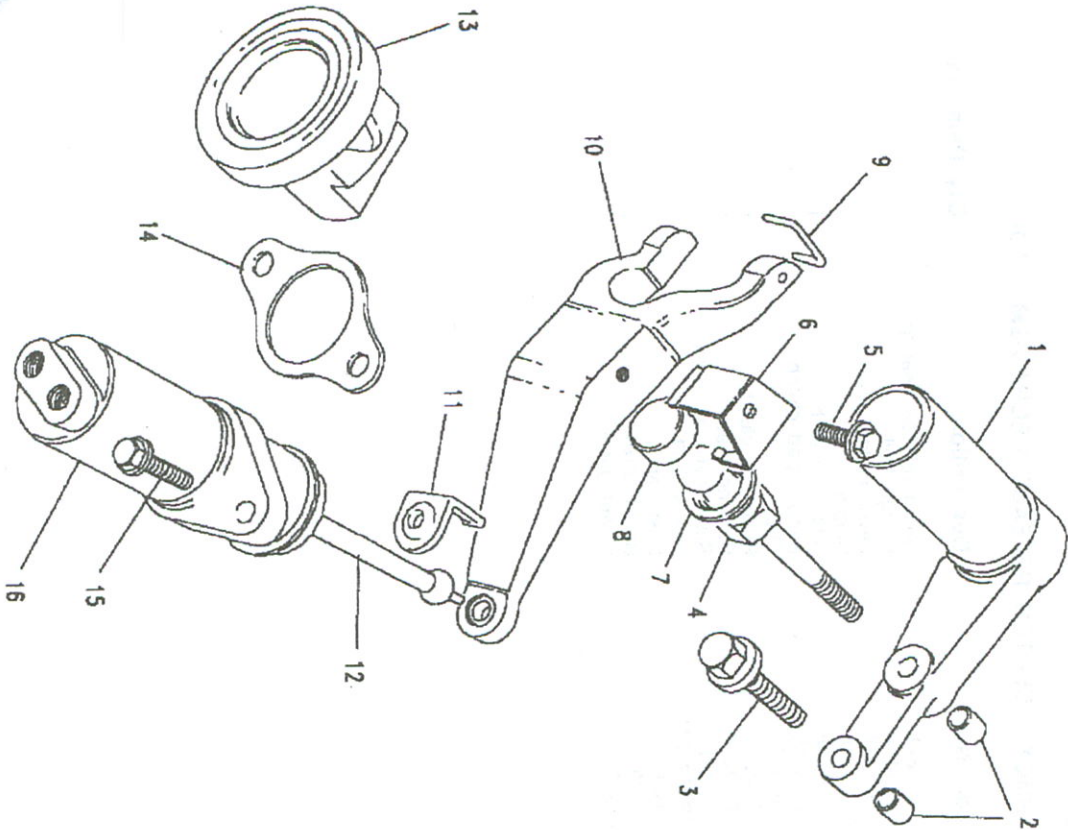
DEFENDER 110 1987 onwards

331

GEARBOX

Model DEFENDER 110 1987 onwards  
Page AFCFCGA3A

GEARBOX - CLUTCH RELEASE MECHANISM - V8

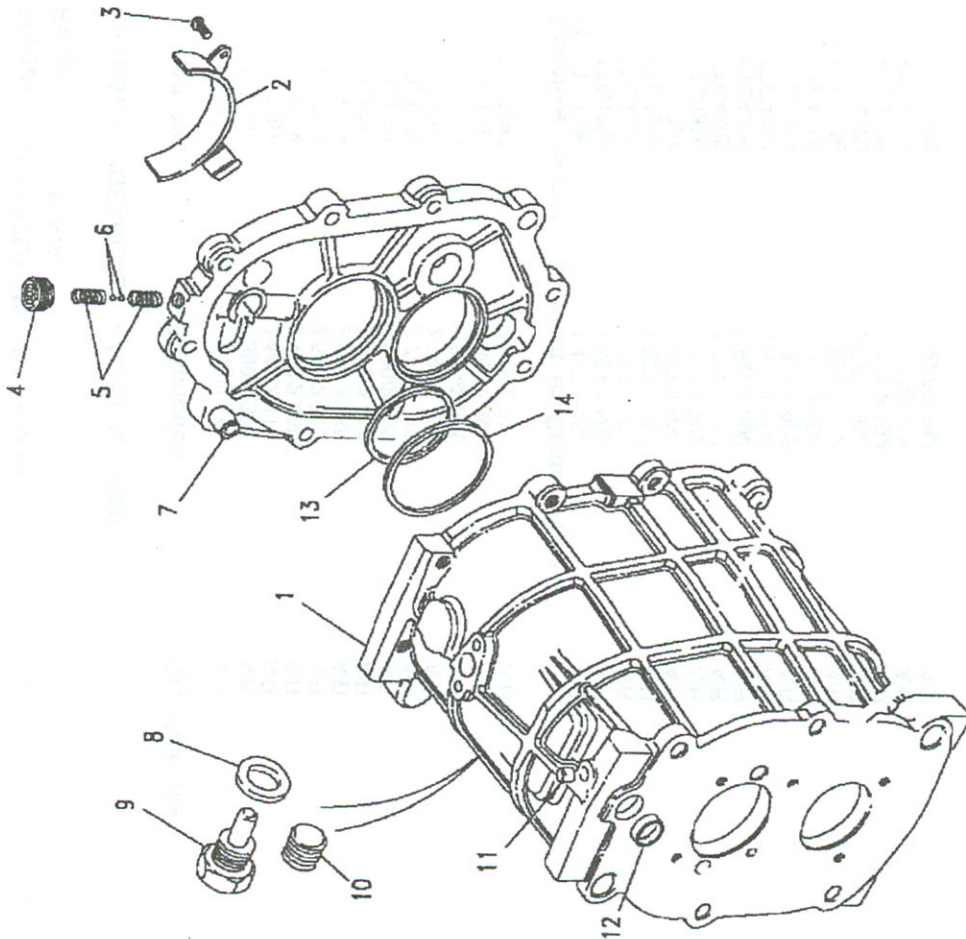


Ill. Part No.	Description	Qty	Remarks
1	FRC4803	1	Guide release bearing
2	FRC2481	2	Dowel guide
3	FB108101	1	Flange bolt
4	FRC2528	1	Pivot clutch release
5	FS106101L	1	Flange screw
6	571163	1	Clip
7	FRC2975	1	Cap clutch release lever
8	571161	1	Insert
9	576203	1	Staple
10	576137	1	Lever clutch release
11	576723	1	Clip
12	571160	1	Push rod clutch
13	FRC9568	1	Bearing clutch
14	FRC2402	1	Backing plate
15	FS108251	2	Flange screw
16	UKC8677L	2	Slave cylinder clutch
	BHM7063L	1	Repair kit slave cylinder



Model DEFENDER 110 1987 onwards  
Page AFCFEA1A

GEARBOX - GEARCASE - MANUAL R380

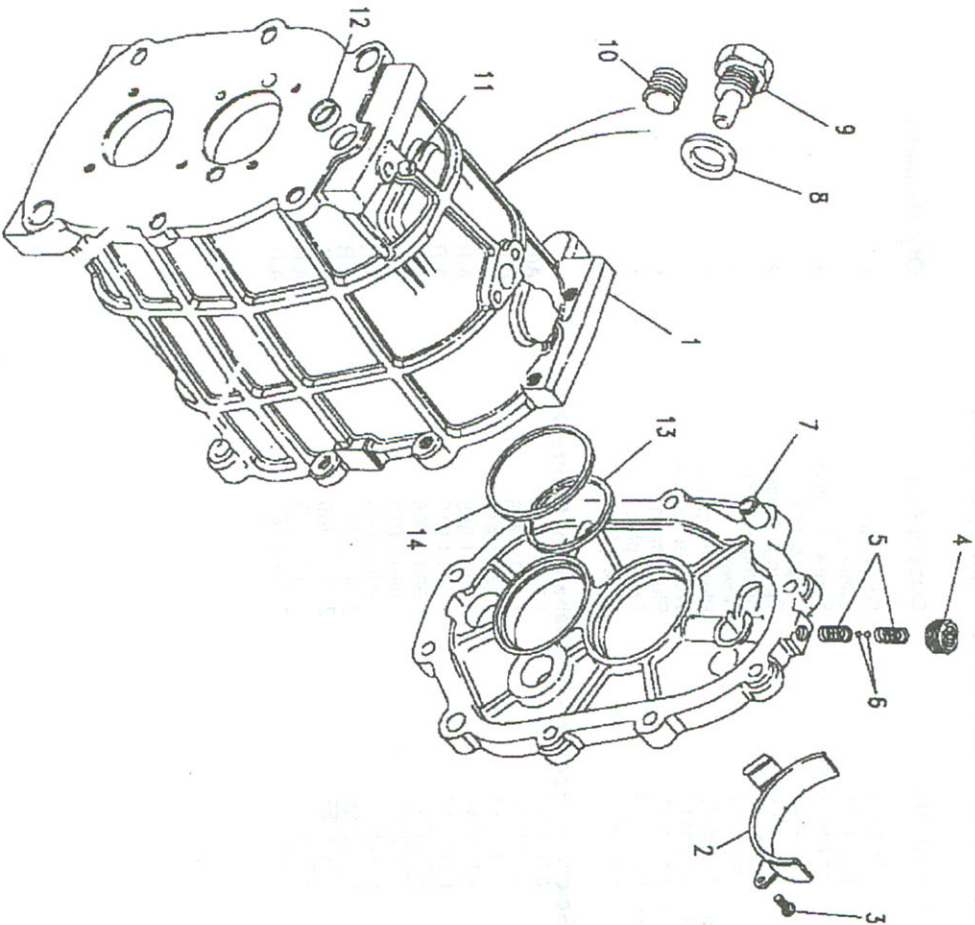


Ill. Part No.	Description	Qty	Remarks
1	FTC3848 Gearcase	1	
2	FTC4131 Baffle plate	1	
3	FS106161ML Screw flanged	2	
4	FTC4108 Plug screw	1	
5	FTC3382 Spring detent	2	
6	BLS112L Spring detent	2	
7	UKG170L Dowel	2	
8	FRC6145 Plug magnetic	1	
9	FTC4112 Washer copper	1	
10	FTC4056 Plug drain	1	
11	FRC9803 Core plug	1	
12	UKC30L Core plug	1	
<b>Selective Spacer - Mainshaft in Centre Plate</b>			
13	FTC3739 1.740/1.715	A/R	
	FTC3741 1.790/1.765	A/R	
	FTC3743 1.840/1.815	A/R	
	FTC3745 1.890/1.865	A/R	
	FTC3747 1.940/1.915	A/R	
	FTC3749 1.990/1.965	A/R	
	FTC3751 2.040/2.015	A/R	
	FTC3753 2.090/2.065	A/R	
	FTC3755 2.140/2.115	A/R	
	FTC3757 2.190/2.165	A/R	
	FTC3759 2.240/2.215	A/R	
	FTC3761 2.290/2.265	A/R	



Model DEFENDER 110 1987 onwards  
Page AFCFEA1A

GEARBOX - GEARCASE - MANUAL R380



III. Part No.	Description	Qty	Remarks
FTC3763	2.340/2.315	A/R	
FTC3765	2.390/2.365	A/R	
FTC3767	2.440/2.415	A/R	
FTC3769	2.490/2.465	A/R	
FTC3771	2.540/2.515	A/R	
FTC3773	2.590/2.565	A/R	
FTC3775	2.640/2.615	A/R	
FTC3777	2.690/2.665	A/R	
FTC3779	2.740/2.715	A/R	
FTC3781	2.790/2.765	A/R	
FTC3783	2.840/2.815	A/R	
FTC3785	2.890/2.865	A/R	
FTC3787	2.940/2.915	A/R	

Selective Spacer - Layshaft in Centre Plate

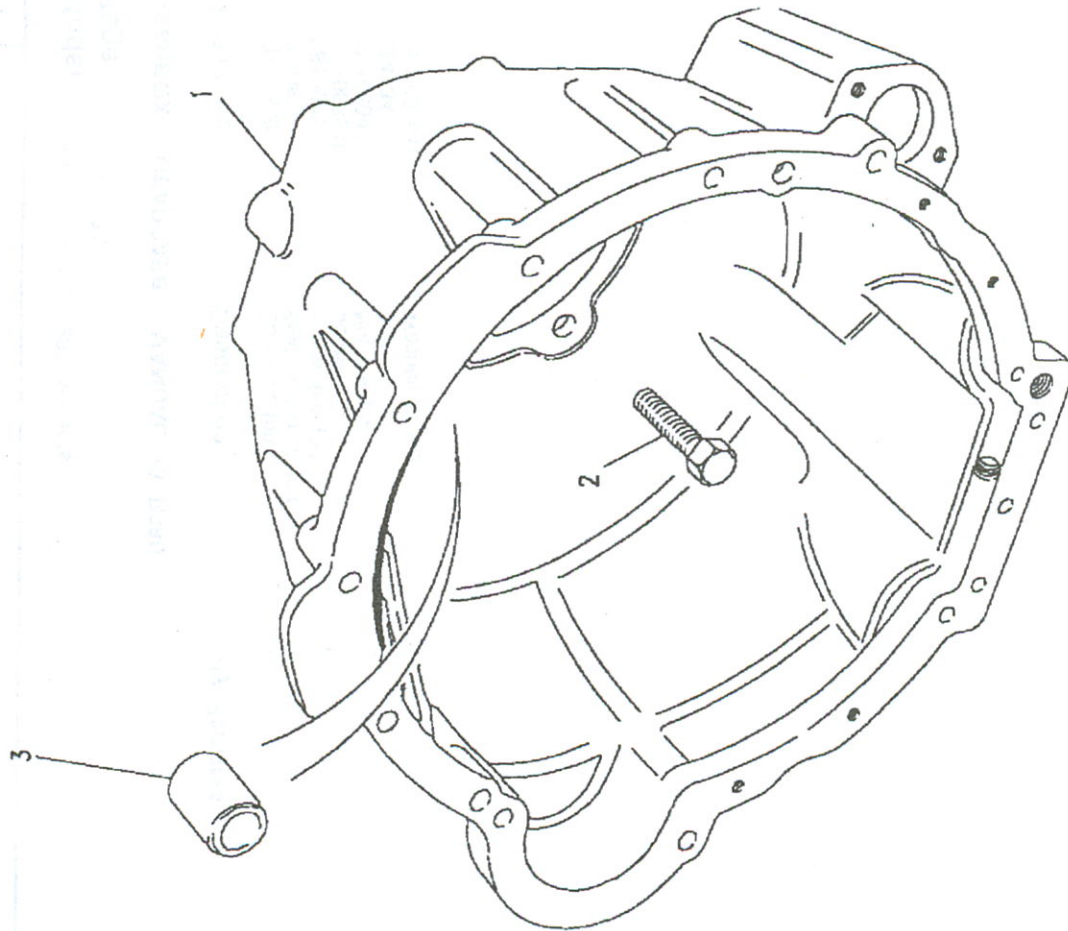
14	FTC4296	1.477/1.452	A/R	
	FTC4298	1.527/1.502	A/R	
	FTC4300	1.577/1.552	A/R	
	FTC4302	1.627/1.602	A/R	
	FTC4304	1.677/1.652	A/R	
	FTC4306	1.727/1.702	A/R	
	FTC4308	1.777/1.752	A/R	
	FTC4310	1.827/1.802	A/R	
	FTC4312	1.877/1.852	A/R	
	FTC4314	1.927/1.902	A/R	
	FTC4316	1.977/1.952	A/R	
	FTC4318	2.027/2.002	A/R	
	FTC4320	2.077/2.052	A/R	
	FTC4322	2.127/2.102	A/R	
	FTC4324	2.177/2.152	A/R	
	FTC4326	2.227/2.202	A/R	



**Model** DEFENDER 110 1987 onwards  
**Page** AFCFEA2A

**GEARBOX - BELL HOUSING - MANUAL R380**

III. Part No.	Description	Qty	Remarks
1	FTC3921 Bell housing	1	TDI
	FTC3922 Bell housing	1	V8
	FTC4018 Bell housing	1	4Cyl petrol
2	FS112401 Plug	1	
3	UKC25L Screw	6	
		2	
<b>Fixings - Gearbox to Engine - TDI</b>			
	BH110221L Bolt	4	
	FN110041 Nut flanged	9	
	SH108141L Screw	1	
	WA110061 Washer plain	4	
	571134 Dowel	2	
	622324 Clip breather	1	
<b>Fixings - Gearbox to Engine - V8</b>			
	BH506161L Bolt	8	
	PRC2978 Bracket mounting	1	
	586440 Clip cable	1	
	NH105041L Nut	1	
	SH105161L Screw	1	
	WA105001L Washer plain	2	
	WL105001L Washer spring	1	
<b>Fixings - Gearbox to Engine - 4 Cylinder Petrol</b>			
	FN110041 Nut flanged	11	





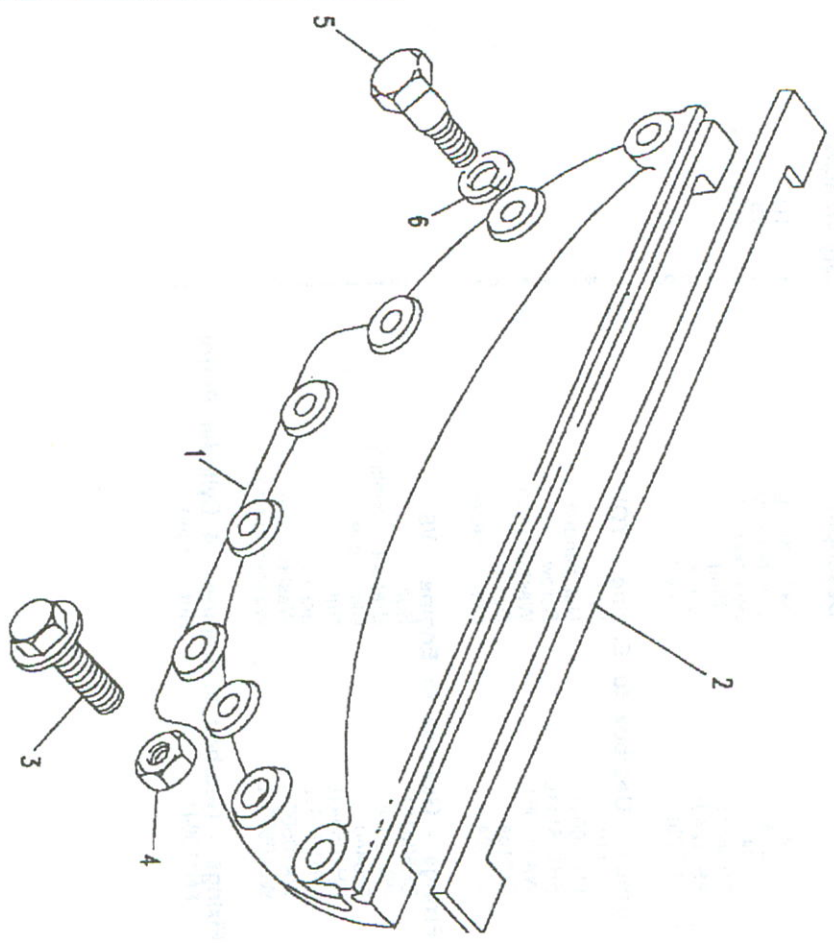
DEFENDER 110 1987 onwards

335

GEARBOX

Model DEFENDER 110 1987 onwards  
Page AFCFEA3A

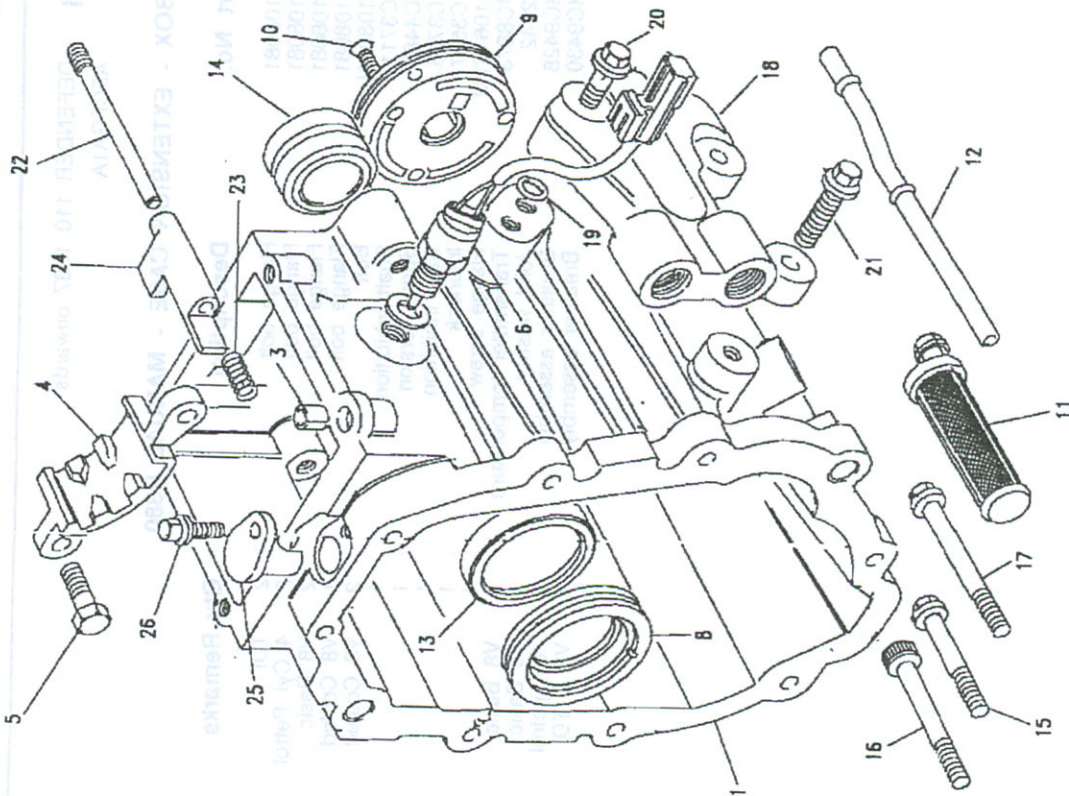
GEARBOX - GEARCASE - MANUAL V8 R380



III. Part No.	Description	Qty	Remarks
1	FRC2859 Cover bottom	1	
2	594087 Seal bottom cover	1	
3	FS106251 Screw flanged	2	
3	SH106351L Screw	5	
4	FN106041 Nut flanged	5	
5	594134 Bolt	2	
6	WL108001L Washer spring	2	



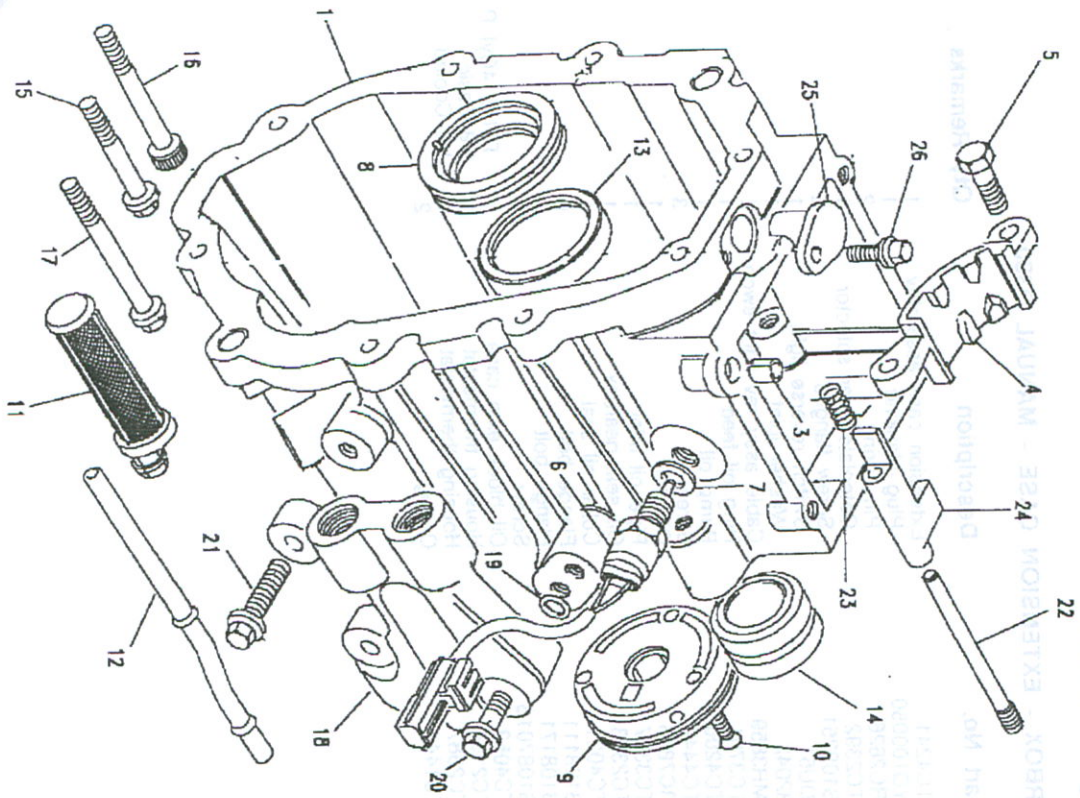




Model DEFENDER 110 1987 onwards  
Page AFCFGA1A

GEARBOX - EXTENSION CASE - MANUAL R380

Ill. Part No.	Description	Qty	Remarks
1	Extension case assembly	1	
2	Plug blanking	1	
3	Pin spring	2	
4	Gateplate gear selector	1	
5	Screw flanged	2	
6	Switch reverse light	1	
7	Washer joint	1	
8	Cable assy rev light swch	1	
9	Ring oil feed	1	
10	Pump oil	1	
11	Screw	3	
12	Oil filter	1	
13	Pipe oil inlet	1	
14	Oil seal gearbox	1	
15	Collar oil seal	6	
16	Flange bolt	2	
17	Flange bolt	2	
18	Screw	1	
19	Oil block extn case	1	TDI & 4Cyl P
20	Housing thermostat	1	V8 Basic
21	Housing thermostat	1	V8 Cooled
22	O ring	2	



Model DEFENDER 110 1987 onwards  
Page AFCFGA1A

GEARBOX - EXTENSION CASE - MANUAL R380

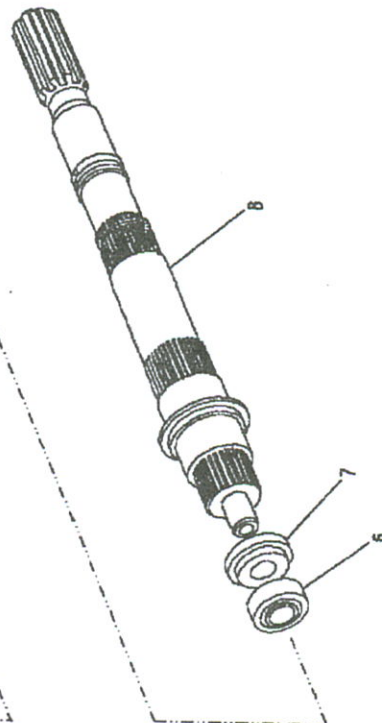
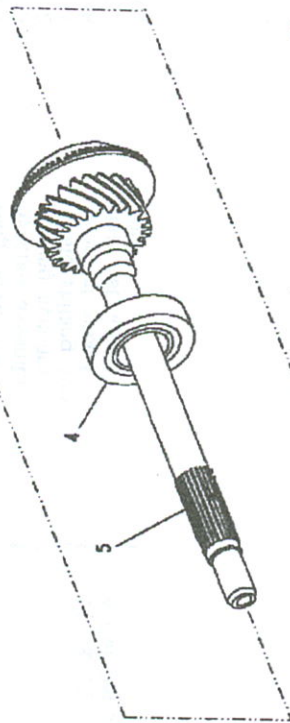
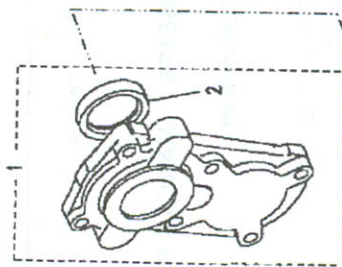
III. Part No.	Description	Qty	Remarks
20	FB108081 Flange bolt	2	TDI
	FB108081 Flange bolt	2	4 Cyl Petrol
	FB108081 Flange bolt	2	V8 Basic
	FB108081 Flange bolt	1	V8 Cooled
	FB108081 Flange bolt	2	V8 Cooled
21	FS108301L Bolt	1	
22	FTC3711 Shaft inhibition	1	
23	FTC4483 Spring torsion	1	
24	FTC3713 Cam inhibition	1	
25	FTC3587 Interlock	1	
26	FS106161M Flange screw	1	V8 Basic
27	PRC8873 Transmitter temperature	1	V8 Basic
28	232042 Joint washer	1	V8 Basic
29	FRC9428 Breather assembly	1	4cyl petrol
	FRC9430 Breather assembly	1	V8 & TDI



Model DEFENDER 110 1987 onwards  
Page AFCFIA1A

GEARBOX - MAINSHAFT - MANUAL R380

Ill. Part No.	Description	Qty	Remarks
1	FTC4238 Cover assembly front	1	4 Cyl Petrol
2	FTC3696 Cover assembly front	1	TDI & V8
3	UKC1060L Oil seal	1	
4	FS108251M Screw	6	
5	STC1628 Bearing	1	
6	FTC3368 Shaft pinion P4	1	
7	FTC3927 Shaft pinion TDI	1	
8	FTC3928 Shaft pinion V8	1	
	UKC8L Bearing	1	
	FTC2737 Spacer	1	
	FTC3703 Mainshaft	1	





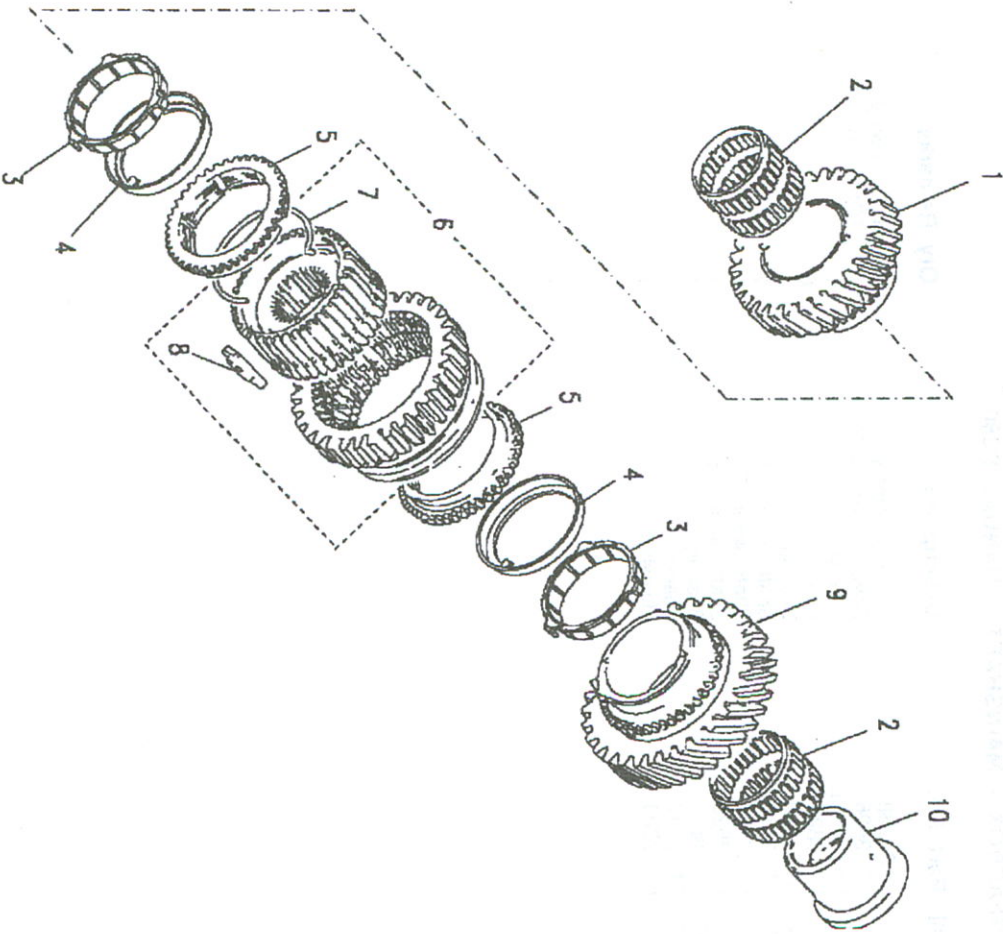
DEFENDER 110 1987 onwards

339

GEARBOX

Model DEFENDER 110 1987 onwards  
Page AFCFIC1A

GEARBOX - MAINSHAFT GEARS - MANUAL R380



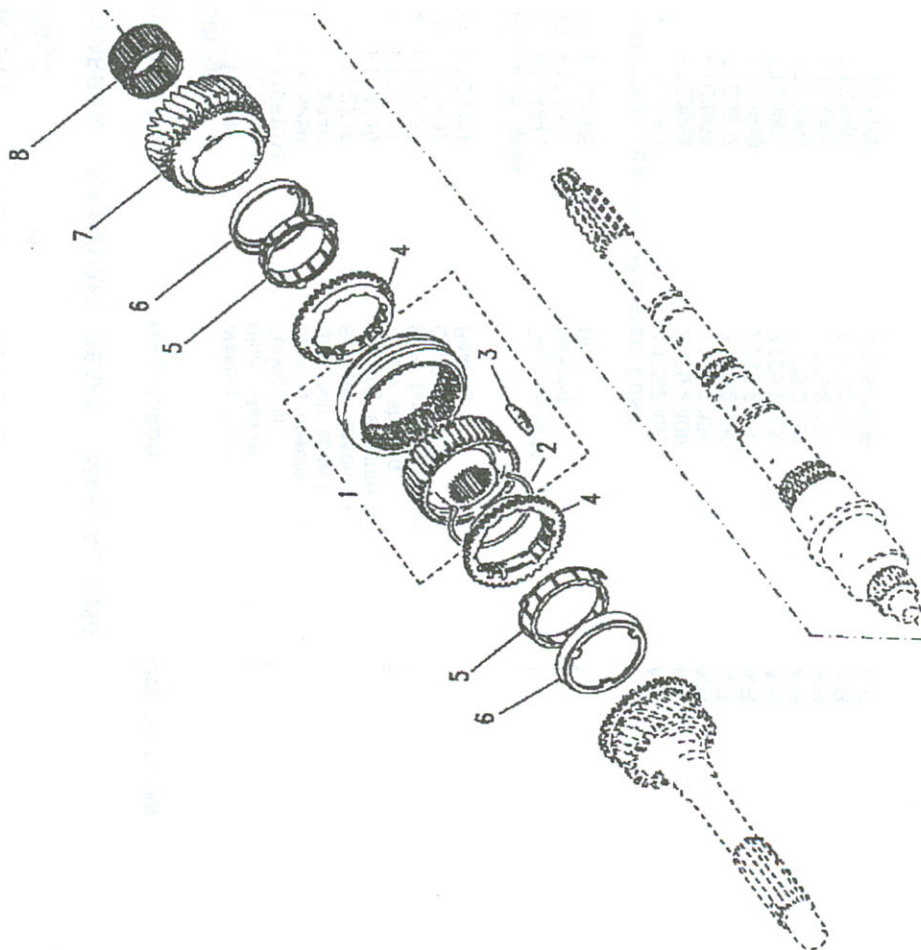
Ill. Part No.	Description	Qty	Remarks
<b>1st and 2nd gears</b>			
1	FTC2714	1	
2	FTG1311	2	Gear 2nd speed Bearing
3	FTC2397	2	Ring synchro inner
4	FTG2396	2	Ring synchro middle
5	FTC3584	2	Ring baulk gearbox
6	FTG2733	1	Synchro assembly
7	FTG4172	2	Spring synchro
8	FTG4171	3	Plate shifting synchro
9	FTG2948	1	Gear 1st speed
10	FTC2005	1	Gear 1st speed Bush
			TDI & V8 4 Cyl Petrol



Model DEFENDER 110 1987 onwards  
 Page AFCFIC2A

GEARBOX - MAINSHAFT GEARS - MANUAL R380

III. Part No.	Description	Qty	Remarks
1	Synchro assembly	1	
2	Spring synchro	2	
3	Plate shifting synchro	3	
4	Ring baulk gearbox	2	
5	Ring baulk middle	2	
6	Ring baulk inner	2	
7	Gear 3rd speed	1	
8	Bearing	1	





DEFENDER 110 1987 onwards

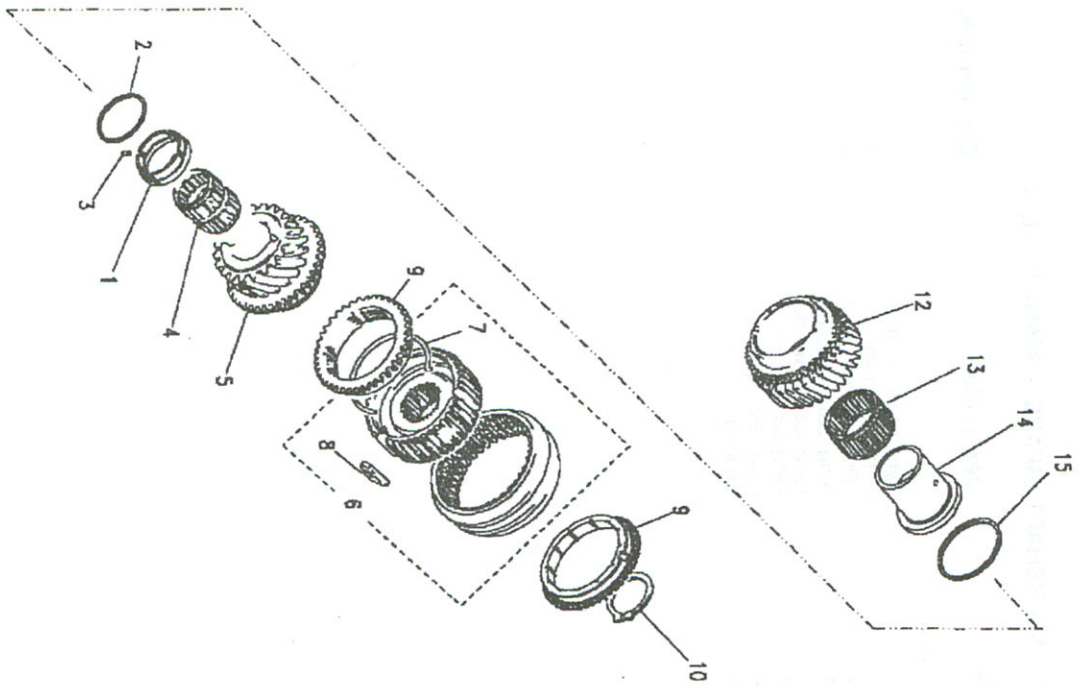
341

GEARBOX

Model DEFENDER 110 1987 onwards  
Page AFCFIC3A

GEARBOX - MAINSHAFT GEARS - MANUAL R380

III. Part No.	Description	Qty	Remarks
<b>5th gear</b>			
1 FTC3699	Washer thrust	1	
2 FTC3700	Ring retainer	1	
3 PA108101L	Spring pin	1	
4 FRC5280	Bearing needle	1	
5 FTC2946	Gear 5th speed	1	
6 FTC2727	Synchro assembly	1	
7 FTC4245	Spring synchro	2	
8 FTC4171	Plate shifting	3	
9 FTC2731	Ring baulk gearbox	2	
10 FTC3697	Circlip	1	
11 FTC3371	Bearing	1	
<b>Reverse gear</b>			
12 FTC4242	Gear reverse	1	
13 FTC1311	Bearing	1	
14 FTC2005	Bush	1	
<b>Selective spacer - Reverse bush</b>			
15 FTC3951	2.475/2.450	AR	
FTC3953	2.425/2.400	AR	
FTC3955	2.375/2.350	AR	
FTC3957	2.325/2.300	AR	
FTC3959	2.275/2.250	AR	
FTC3961	2.225/2.200	AR	
FTC3963	2.175/2.150	AR	
FTC3965	2.125/2.100	AR	
FTC3967	2.075/2.050	AR	
FTC3969	2.025/2.000	AR	

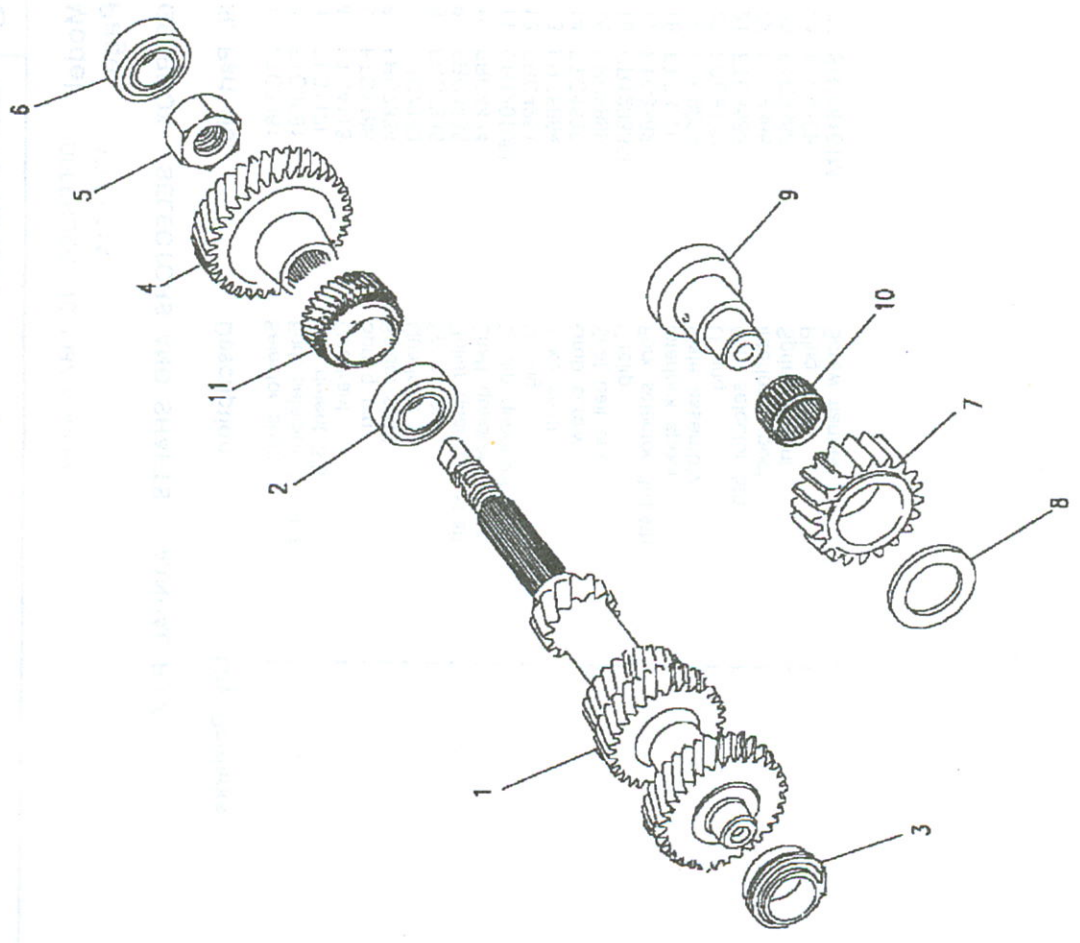




Model DEFENDER 110 1987 onwards  
Page AFCFIE1A

GEARBOX - LAYSHAFT - MANUAL R380

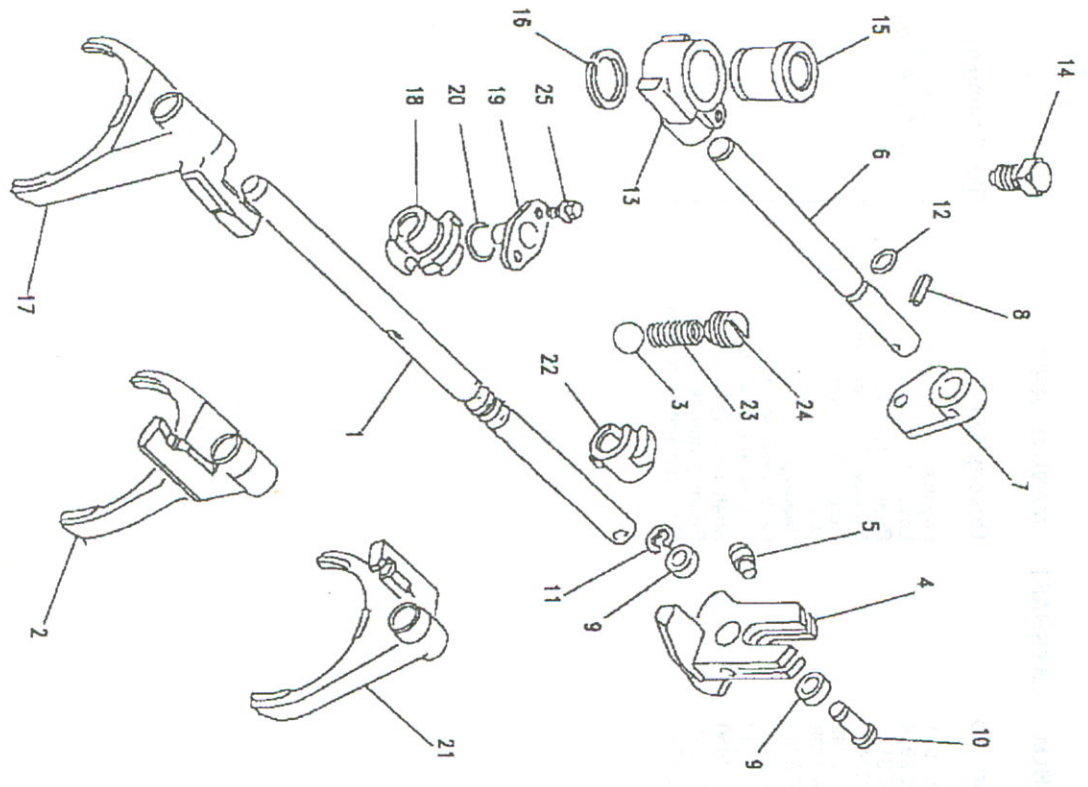
Ill. Part No.	Description	Qty	Remarks
1	Layshaft	1	TDI & V8
2	Layshaft	1	4 Cyl Petrol
3	Bearing layshaft rear	1	
4	Bearing layshaft front	1	
5	Gear 5th speed	1	
6	Nut	1	
7	Bearing	1	
8	Gear reverse idler	1	
9	Spacer rev idler front	1	
10	Shaft reverse idler	1	
11	Bearing needle	1	
11	Gear assembly reverse	1	





Model DEFENDER 110 1987 onwards  
Page AFCFKA1A

GEARBOX - SELECTORS AND SHAFTS - MANUAL R380



Ill. Part No.	Description	Qty	Remarks
1	FTC3361	1	Selector shaft
2	FTC3581	1	Fork selector 1st/2nd
3	BLS112L	2	Ball detent 3/8
4	FTC4113	1	Quadrant
5	FTC1488	1	Spring pin
6	FRC7334	1	Select shaft
7	FRC7333	1	Quadrant
8	FRC7335	1	Spring pin
9	FRC4435	1	Roller quadrant shaft
10	FRC4434	1	Shaft quadrant roller
11	CR120105L	1	Circlip quadrant shaft
12	FRC4951	1	O ring
13	FRC5864	1	Yoke shaft
14	FTC4536	1	Grub screw
15	FRC5859	1	Seat ball end
16	CR120335L	1	Circlip
17	FTC3582	1	Fork selector 3rd/4th
18	FTC3370	1	Interlock spool
19	FRC8239	1	Plate assembly
20	FRC9170	1	O ring
21	FTC3583	1	Fork selector 5th
22	FTC2885	1	Interlock spool
23	FTC3382	2	Spring detent
24	FTC4108	1	Plug screw
25	SH106161M	2	Screw flanged

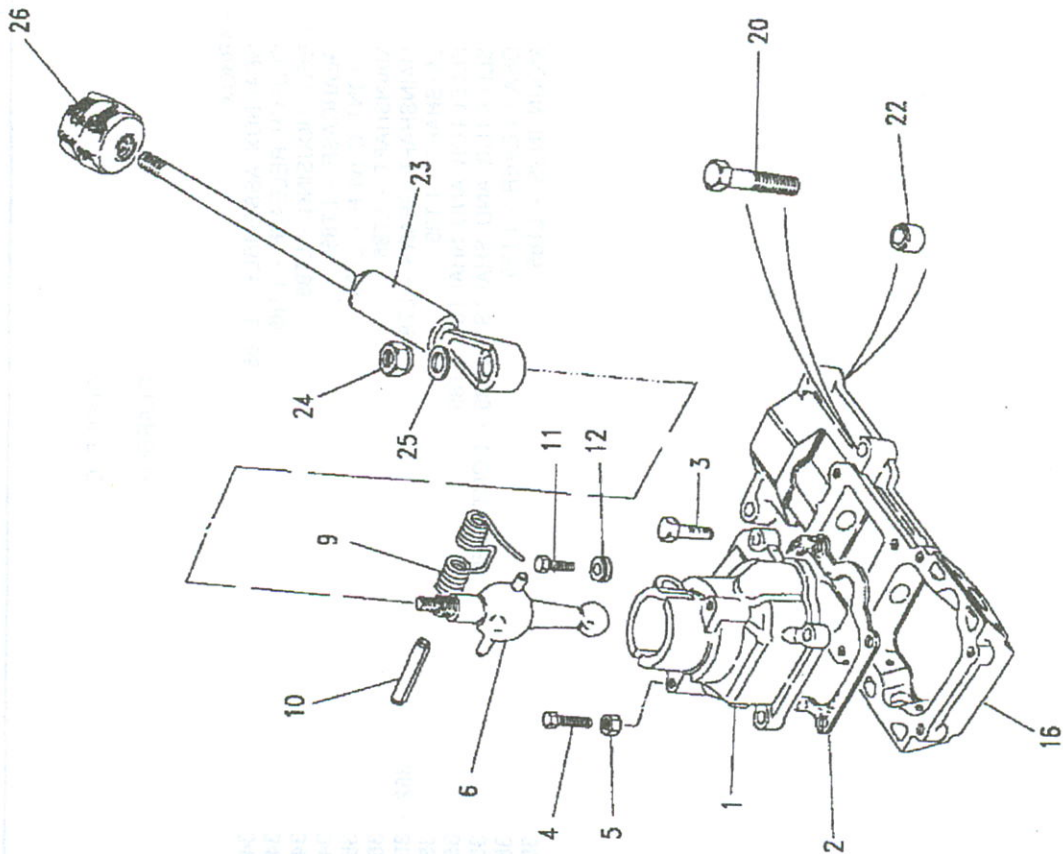




**Model** DEFENDER 110 1987 onwards  
**Page** AFCFKC1A

**GEARBOX - GEAR LEVER - MANUAL R380**

Ill. Part No.	Description	Qty	Remarks
1	FRC7155 Housing gear lever	1	
2	FTC4510 Joint washer housing	1	
3	FS108251L Screw flanged	4	
4	FS106201L Flange screw	2	
5	NH106041L Nut	2	
6	FRC8724 Gear lever lower	1	
7	22G1988L Plunger	1	
8	22G1989L Plunger	1	
9	FRC7414 Torsion spring	1	
10	PA120801L Roll pin	1	
11	FS106161 Screw	1	
12	FRC7886 Retaining washer	1	
13	FRC7160 Grommet	1	
14	AFU4173 Tie securing grommet	1	
15	BTR1698 Gaiter	1	
16	FTC3915 Housing gear change	1	
17	GS110501 Grubscrew 5th speed stop	1	
18	FN110041L Nut flanged	1	
19	597586 Plug	1	
20	FB108081L Bolt flanged	3	
21	FB108111L Bolt flanged	3	
22	FRC2626 Pin spring	2	
23	FRC7860 Gear lever RH steering	1	
24	FRC7493 Gear lever LH steering	1	
25	NY110041L Nut nylon	1	
26	WC110061L Washer plain	1	
26	BTR9270 Knob gearchange	1	





MASTER INDEX

INTRODUCTION PAGES	PAGES
ALPHABETICAL INDEX	1 - 7
ENGINE	8 - 16
ENGINE	17 - 66
ENGINE	67 - 119
ENGINE	120 - 166
ENGINE	167 - 209
ENGINE	210 - 245
ENGINE	246 - 299
ENGINE	300 - 326
GEARBOX	327 - 344
GEARBOX	345 - 359
GEARBOX	360 - 378
TRANSFER BOX	379 - 397
TRANSFER BOX	398 - 444
AXLES AND SUSPENSION	445 - 471
STEERING	472 - 486
VEHICLE AND ENGINE CONTROLS	487 - 517
BRAKES	518 - 579
FUEL SYSTEM AND AIR CLEANER	580 - 593
EXHAUST SYSTEM	594 - 637
COOLING/HEATING	638 - 641
COOLING/HEATING	642 - 649
COOLING/HEATING	650 - 655
COOLING/HEATING	656 - 666
COOLING/HEATING	667 - 740
BODY ELECTRICAL	741 - 909
BODY AND CHASSIS	910 - 955
INTERIOR TRIM	956 - 1036
SEATS	1037 - 1046
STOWAGE	1047 - 1074
ACCESSORIES - PAINTS	1075 - 1151
NUMERICAL INDEX	

GROUP C  
GEARBOX

GEARBOX		
GEARBOX ASSEMBLY - LT85		346
CLUTCH RELEASE - LT85		347
BELL HOUSING - LT85		348
GEARCASE - LT85		349
FRONT COVER - LT85		350
MAINSHAFT - LT85		351
MAINSHAFT GEARS - LT85	352 -	354
LAYSHAFT - LT85		355
SELECTOR AND SHAFTS - LT85		356
SELECTOR AND SHAFTS - LT85 - CONTINUED		357
GEAR LEVER - LT85		358
MOUNTINGS - LT85		359

