



DEFENDER 110 1987 onwards

211

ENGINE

Model DEFENDER 110 1987 onwards
Page AFBNA01A

ENGINE - ENGINE STRIPPED - 300 TDI

Ill. Part No.	Description	Qty	Remarks
1 STC1736N	Engine stripped assembly	1	

Note(1) Engine less ancillary equipment

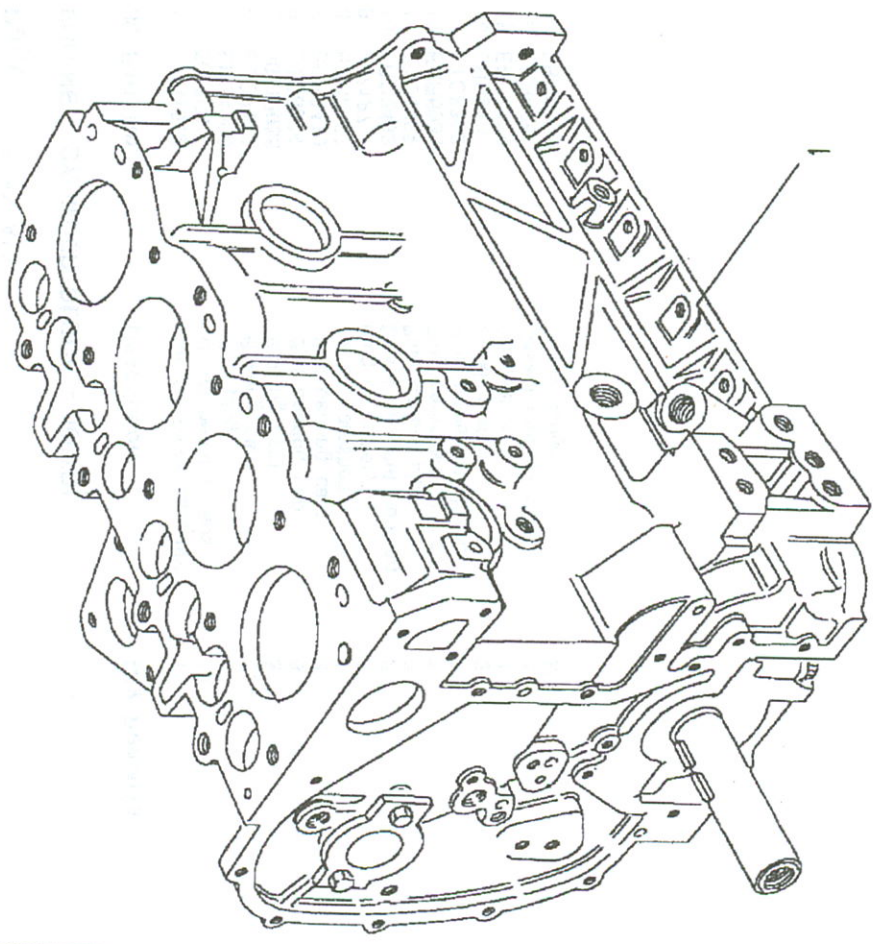




Model DEFENDER 110 1987 onwards
Page AFBNAE1A

ENGINE - SHORT ENGINE - 300TDI

Ill. Part No.	Description	Qty	Remarks
1 STC1675	Engine short assembly	1	





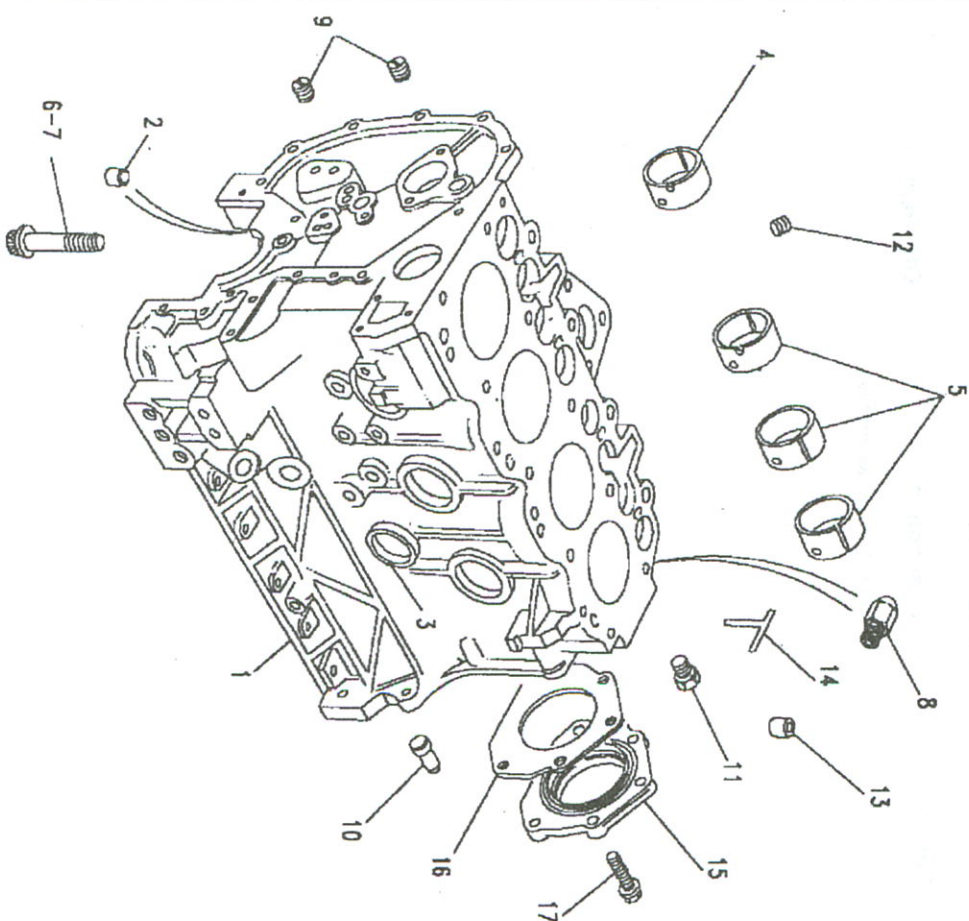
DEFENDER 110 1987 onwards

213

ENGINE

Model DEFENDER 110 1987 onwards
Page AFBNBA1A

ENGINE - CYLINDER BLOCK - 300TD1



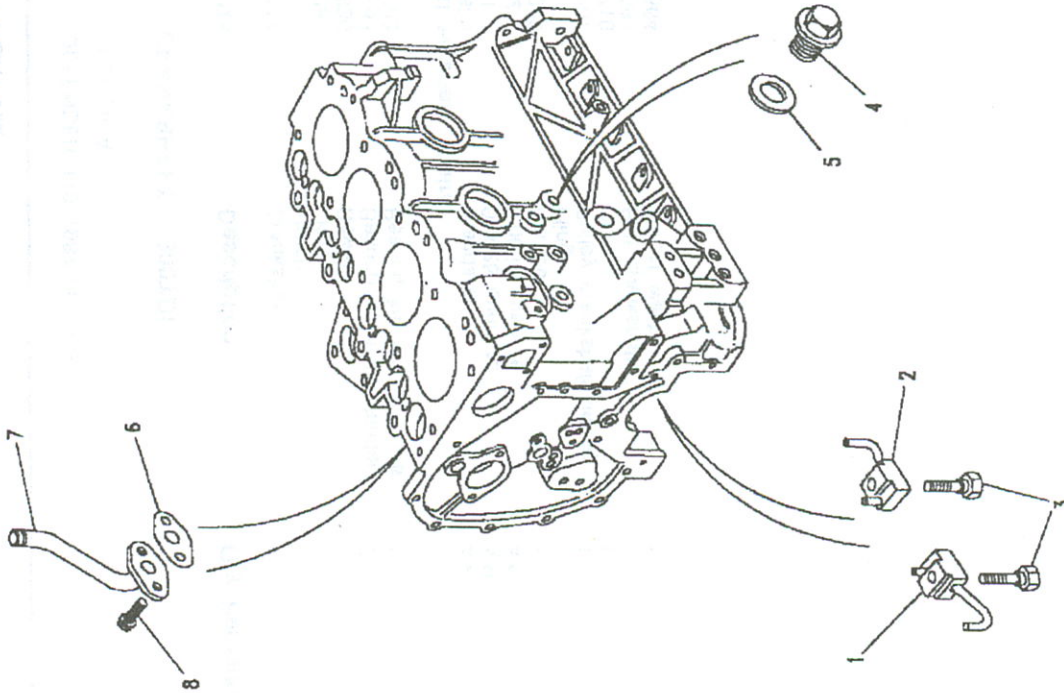
Ill. Part No.	Description	Qty	Remarks
1	ERR1919	1	Cylinder block assembly
2	501593	10	Dowel bearing caps
3	ERC4996	6	Cup plug
4	ETC8442	1	Bearing cam
5	90519055	3	Bearing cam
6	ETC8074	8	Bolt bearing cap
7	ERR3419	2	Bolt bearing cam
8	ERR2767	1	Jet oil camshaft
9	247127	2	Plug oil gallery
10	FRC2482	2	Dowel flywheel housing
11	ETC4922	2	Plug gallery pipe
12	ERR5034	2	Plug camshaft oil feed
13	ETC8352	3	Ring dowel head/block
14	ERR913	2	Packing strip
15	ERR4179	2	Oil seal rear
16	ERR4861	1	Gasket rear oil seal
17	FS108251L	1	Screw flange



Model DEFENDER 110 1987 onwards
Page AFBNBA2A

ENGINE - JET ADAPTORS - 300TDI

Ill. Part No.	Description	Qty	Remarks
1	ETC6531	2	Oil jet assy No1 & 3 cyl
2	ETC6532	2	Oil jet assy No2 & 4 cyl
3	ETC5592	4	Valve relief
4	ERC9410	1	Plug drain
5	AFU1882L	1	Washer joint
6	ERR1094	1	Drain pipe oil
7	ERR1653	1	Gasket drain pipe
8	FS108201	2	Screw flange





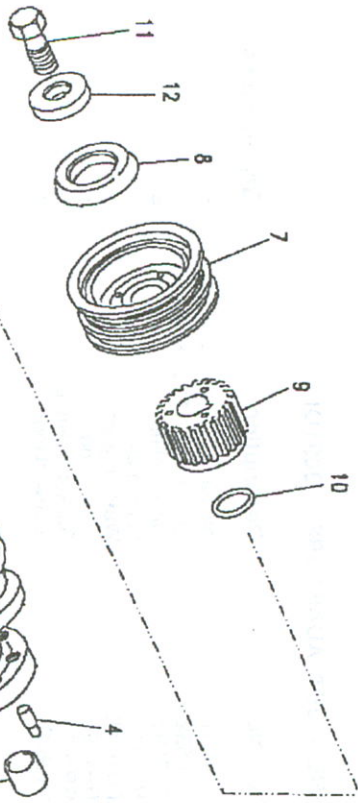
DEFENDER 110 1987 onwards

215

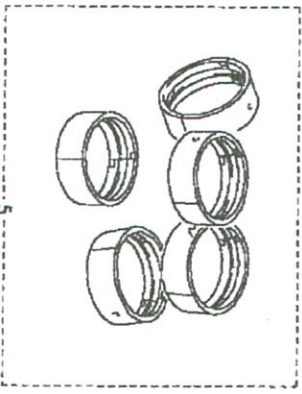
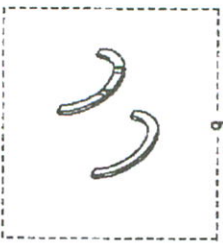
ENGINE

Model DEFENDER 110 1987 onwards
Page AFBNCA1A

ENGINE - CRANKSHAFT - 300TDI



III. Part No.	Description	Qty	Remarks
1	ERR2112 Crankshaft	1	
2	8566L Bush	1	
3	ERR3987 Key	2	
4	ERR1630 Dowel	1	
5	RTC4783 Bearing kit main standard	1	
	RTC478310 Bearing kit main 010 u/s	1	
Kit thrust washer - pairs			
6	RTC2825 Standard	A/R	
	538131 0.0025 oversize	A/R	
	538132 0.0050 oversize	A/R	
7	ERR2220 Damper	1	
8	ERR2100 Flinger	1	
9	ERR4707 Pulley crankshaft timing	1	
10	ERR4710 O ring	1	
11	ERR5087 Bolt crankshaft	1	
12	ERR1564 Thrust washer	1	



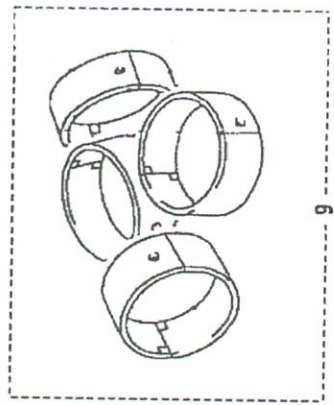
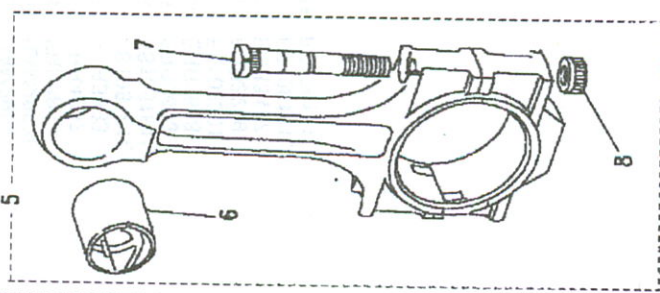
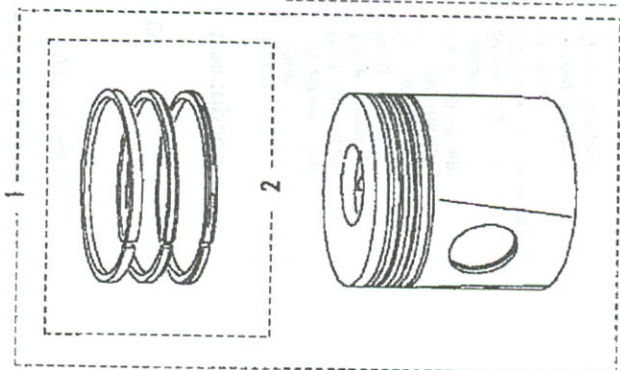


Model DEFENDER 110 1987 onwards
Page AFBNCC1A

ENGINE - PISTON & RINGS - 300TDI

Ill. Part No.	Description	Qty	Remarks
1	ERR2410	4	
2	STC958	4	Piston assembly standard
3	ERR703	4	Kit piston rings
4	266945	4	Gudgeon pin
5	ERR2418	8	Circlip
6	ERR2419	4	Con rod assembly
7	ETC7357	4	Bush
8	ETC8191	4	Bolt
		8	Nut

Bearing kit - conn rod - engine set
 9
 RTC2993 Standard
 RTC299310 0.010 oversize





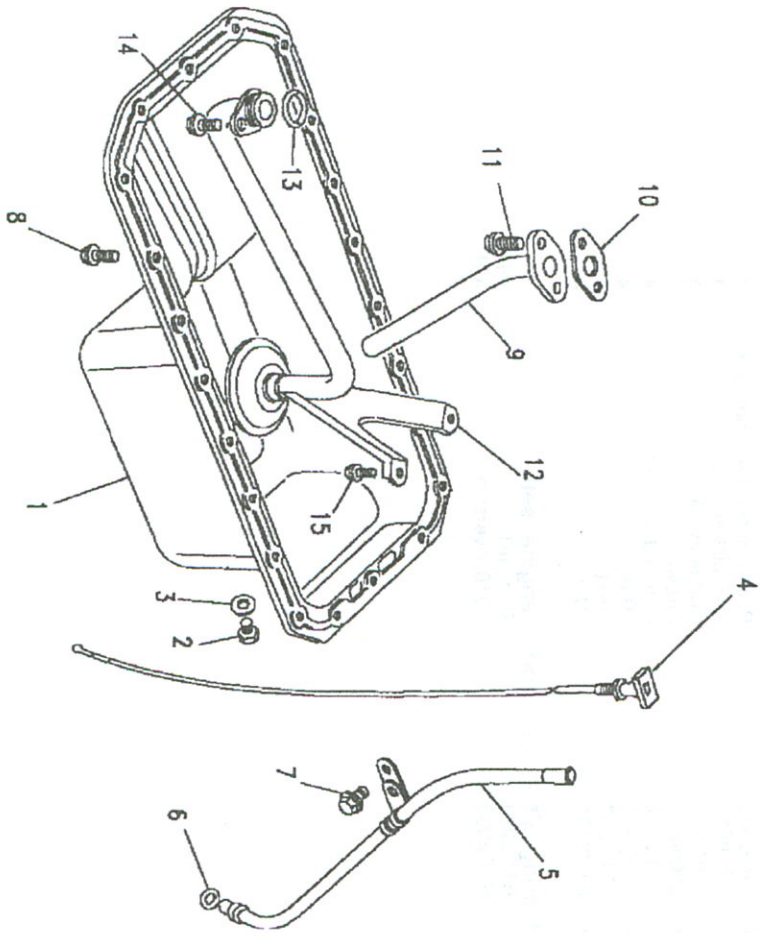
DEFENDER 110 1987 onwards

217

ENGINE

Model DEFENDER 110 1987 onwards
Page AFBNDATA1A

ENGINE - SUMP - 300TDI



III. Part No.	Description	Qty	Remarks
1	Sump	1	
2	Plug	1	
3	Washer joint	1	
4	Rod oil level	1	
5	Tube dipstick	1	
6	Ring sealing	1	
7	Screw flange	1	
8	FS108161L	22	
9	ERR3683	1	
10	ERR1653	1	
11	FS108201	1	
12	ERR3299	2	
13	ERR3417	1	
14	FS108161L	1	
15	FS106161	1	

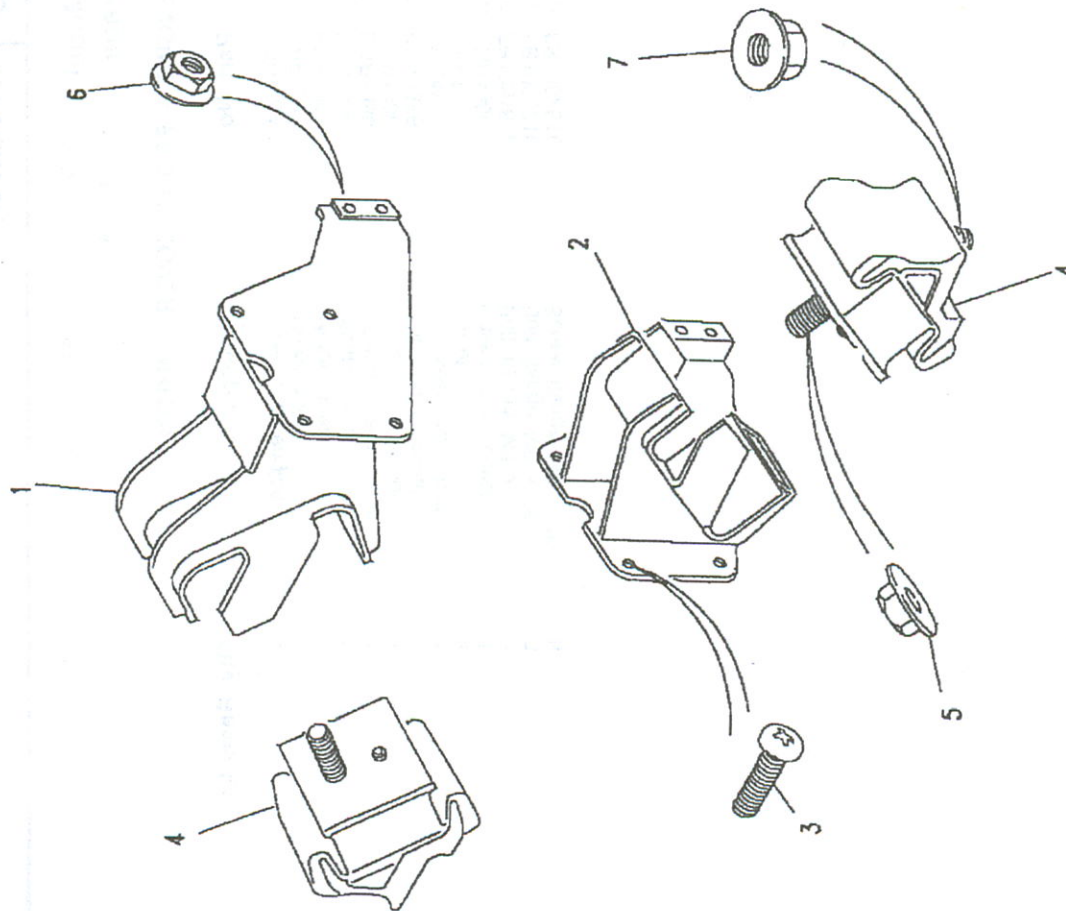




Model DEFENDER 110 1987 onwards
Page AFBND01A

ENGINE - MOUNTINGS - DIESEL 300TDI

Ill. Part No.	Description	Qty	Remarks
1	ANR2868	1	Bracket mounting RH
2	NTC9415	1	Bracket mounting LH
3	SH112201	8	Screw M12 x 20
4	NTC9416	2	Mounting rubber
5	FX112041L	2	Nut flanged M12
6	FX110041L	2	Nut flanged M10
7	FX112041L	2	Nut flanged M12





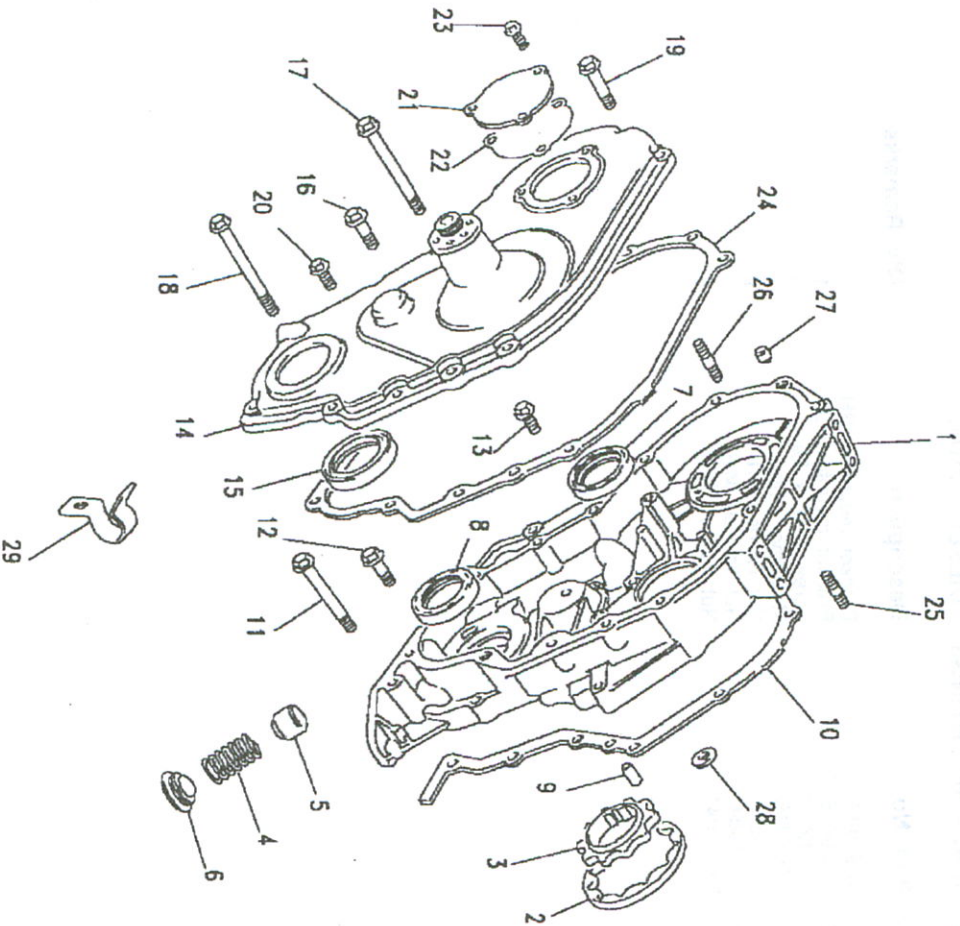
DEFENDER 110 1987 onwards

219

ENGINE

Model DEFENDER 110 1987 onwards
Page AFBNEA1A

ENGINE - FRONT COVER - 300TDI



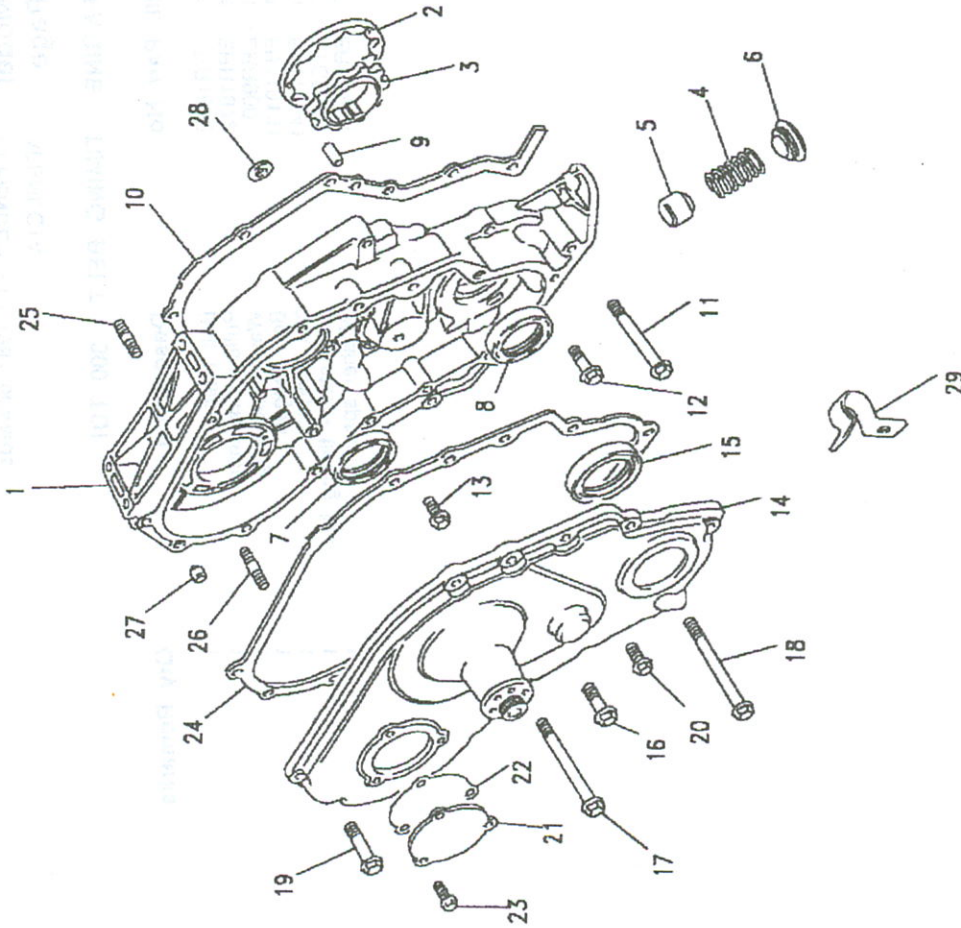
III. Part No.	Description	Qty	Remarks
1	ERR4864	1	Cover front engine
2	ERR1040	1	Rotor outer
3	ERR1041	1	Rotor inner
4	ERR1084	1	Spring relief valve
5	ERR1095	1	Plunger relief valve
6	ERR1086	1	Plug relief plunger
7	ERR3356	1	Oil seal camshaft
8	ERR4575	1	Oil seal crankshaft
9	6395L	4	Dowel
10	ERR4860	1	Gasket front cover
11	FB108161L	1	Bolt flange M8 x 80
12	FB108071L	2	Bolt flange M8 x 35
13	FS108251L	3	Screw flange M8 x 25



Model DEFENDER 110 1987 onwards
Page AFBNEA1A

ENGINE - FRONT COVER - 300TDI

Ill. Part No.	Description	Qty	Remarks
14	ERR4578	1	Cover front engine
15	ERR4576	1	Oil seal crankshaft
16	FB108071L	5	Bolt flange M8 x 35
17	FB108081L	2	Bolt flange M8 x 40
18	FB108201L	2	Bolt flange M8 x 100
19	FB108221	2	Bolt flange M8 x 110
20	FB108101	2	Bolt flange M8 x 50
21	FS108251L	1	Screw flange M8 x 25
22	ERR1560	1	Cover plate
23	ERR1561	1	Gasket cover plate
24	FS108121	3	Screw flange M8 x 12
25	ERR4120	1	Gasket cover plate
26	TE108061L	3	Stud
27	ERR3286	1	Stud M10 x 25
28	ERR2344	1	Dowel front cover
29	ERR4824	2	Joint washer Clip hose





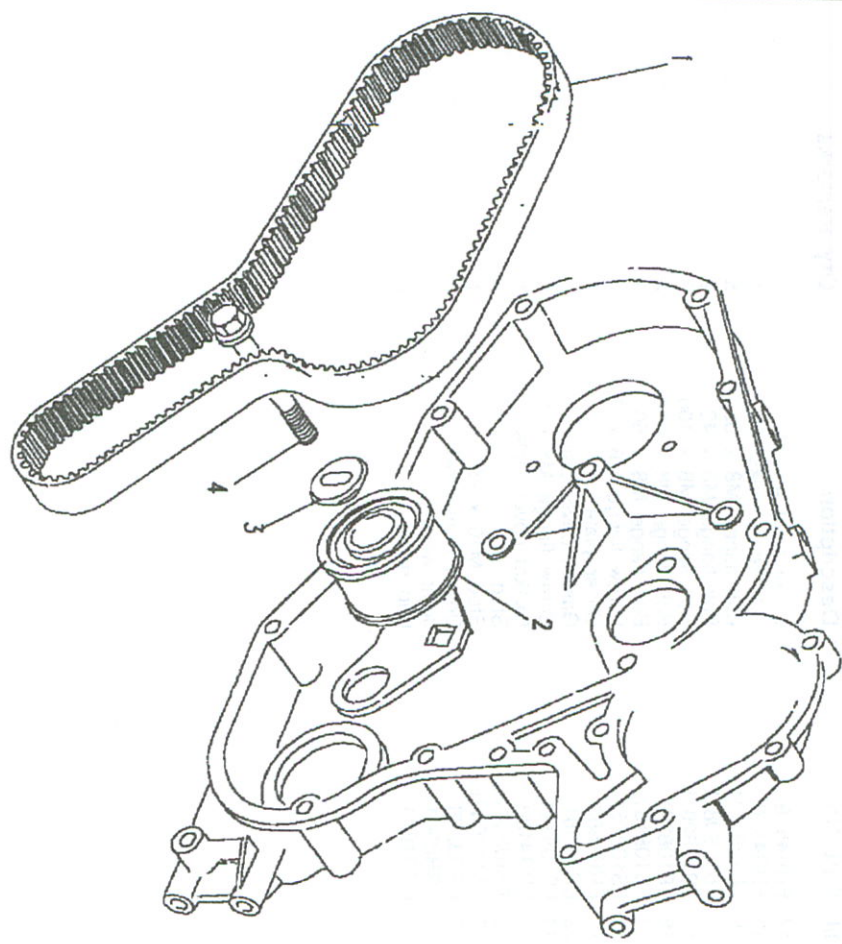
DEFENDER 110 1987 onwards

221

ENGINE

Model DEFENDER 110 1987 onwards
Page AFBNEC1A

ENGINE - TIMING BELT - 300 TDI



Ill. Part No.	Description	Qty	Remarks
1	ERR1092	1	
2	ERR1972	1	Belt timing
3	ERR900	1	Pulley tensioner
4	FB110131	1	Washer packing
5	FN110041	1	Bolt flanged
6	ETC8560	1	Nut flanged
7	ERR1973	1	Idler static-timing belt
		1	Washer spacing



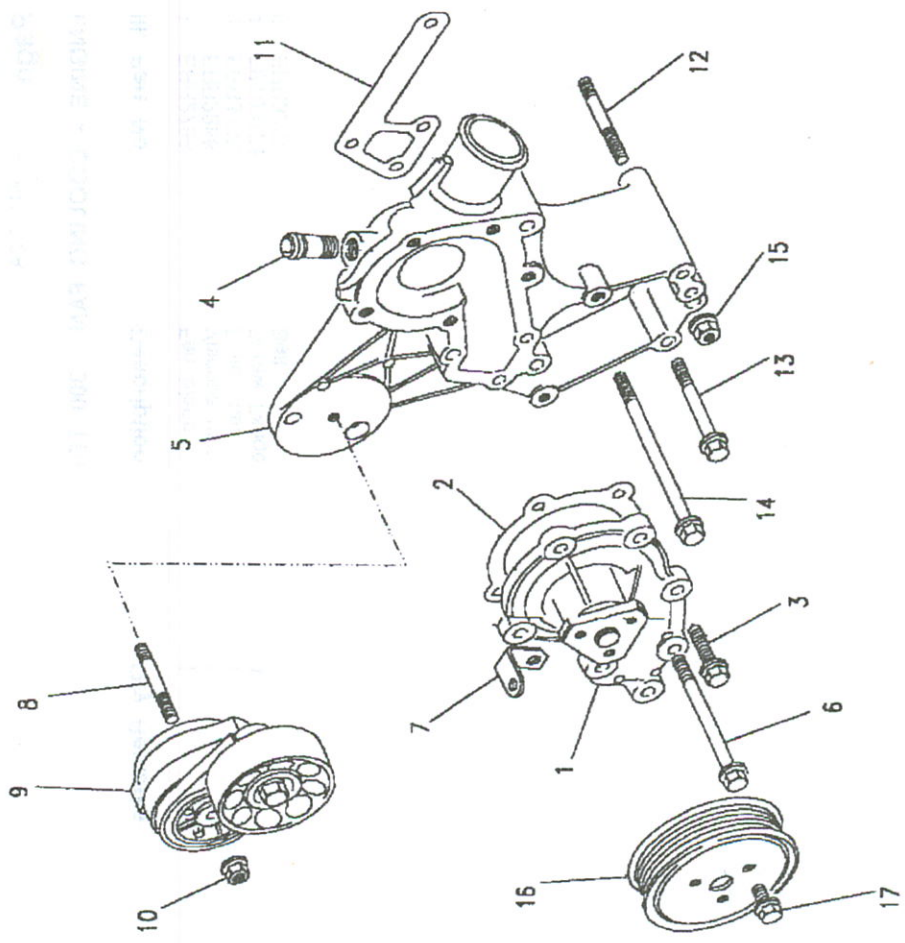


Model DEFENDER 110 1987 onwards
Page AFBNEE1A

ENGINE - WATER PUMP - 300TDI

Ill. Part No.

Qty	Remarks	Description	Part No.
1		Pump water	STC1086
1		Gasket	ERR3284
5		Screw flange	FS108301
1		Pipe stub	ERR3622
1		Bracket mounting	ERR3736
3		Bolt flange pump to brkt	FB108241
3		Bracket bypass hose	ERR5259
1		Hose by pass	ERR5099
1		Stud	TE110151
1		Tensioner auxiliary	ERR4708
1		Nut flange	FN110041
1		Gasket water in to block	ERR2378
1		Stud	ERR4404
1		Bolt flange	FB108131
1		Bolt flange	FB108261
2		Nut flange	FX110041
1		Pulley water pump	ERR3734
3		Screw flange	FS108121





DEFENDER 110 1987 onwards

223

ENGINE

Model DEFENDER 110 1987 onwards
Page AFBNEG2A

ENGINE - COOLING FAN - 300 TDI

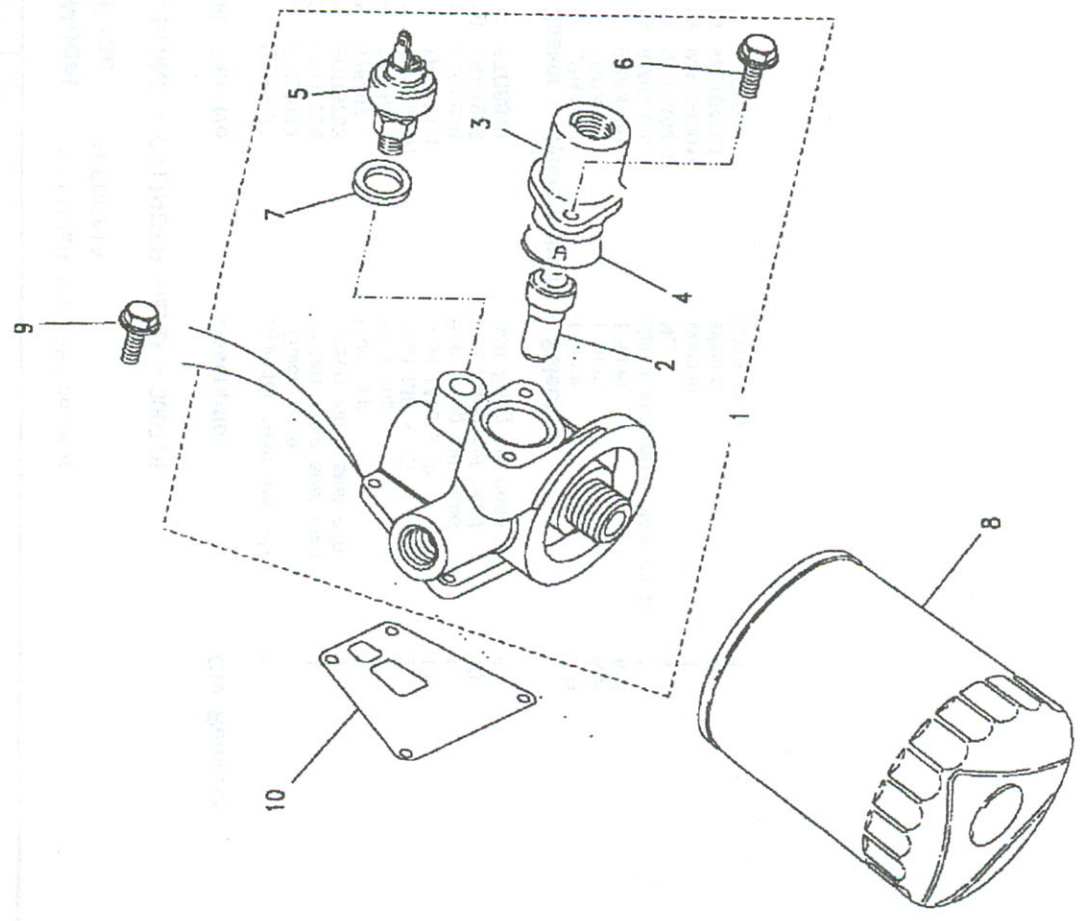
Ill. Part No.	Description	Qty	Remarks
1 ERR2789	Fan blade	1	
2 ERR2286	Viscous unit	1	
3 ERR3735	Pulley fan	1	
4 FS108121	Screw flange	4	
5 ERR3287	Belt	1	



Model DEFENDER 110 1987 onwards
 Page AFBNFC1A

ENGINE - OIL FILTER - 300TDI

III. Part No.	Description	Qty	Remarks
1	Adaptor assy oil filter	1	
2	Bulb thermostat	1	
3	Adaptor	1	
4	O Ring	1	
5	Switch oil pressure	1	
6	Screw flange	2	
7	Washer joint	1	
8	Element oil filter	1	
9	Screw flange	4	
10	Gasket	1	





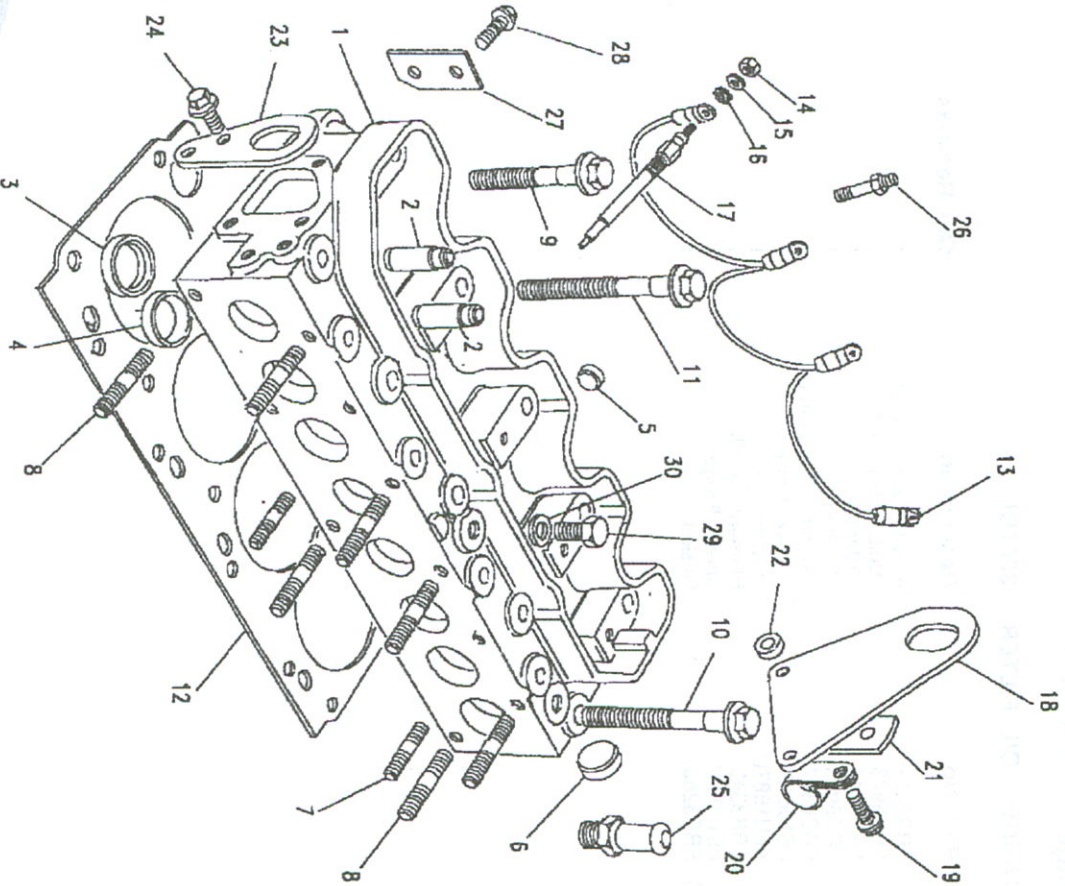
DEFENDER 110 1987 onwards

225

ENGINE

Model DEFENDER 110 1987 onwards
Page AFBNGA1A

ENGINE - CYLINDER HEAD - 300TDI



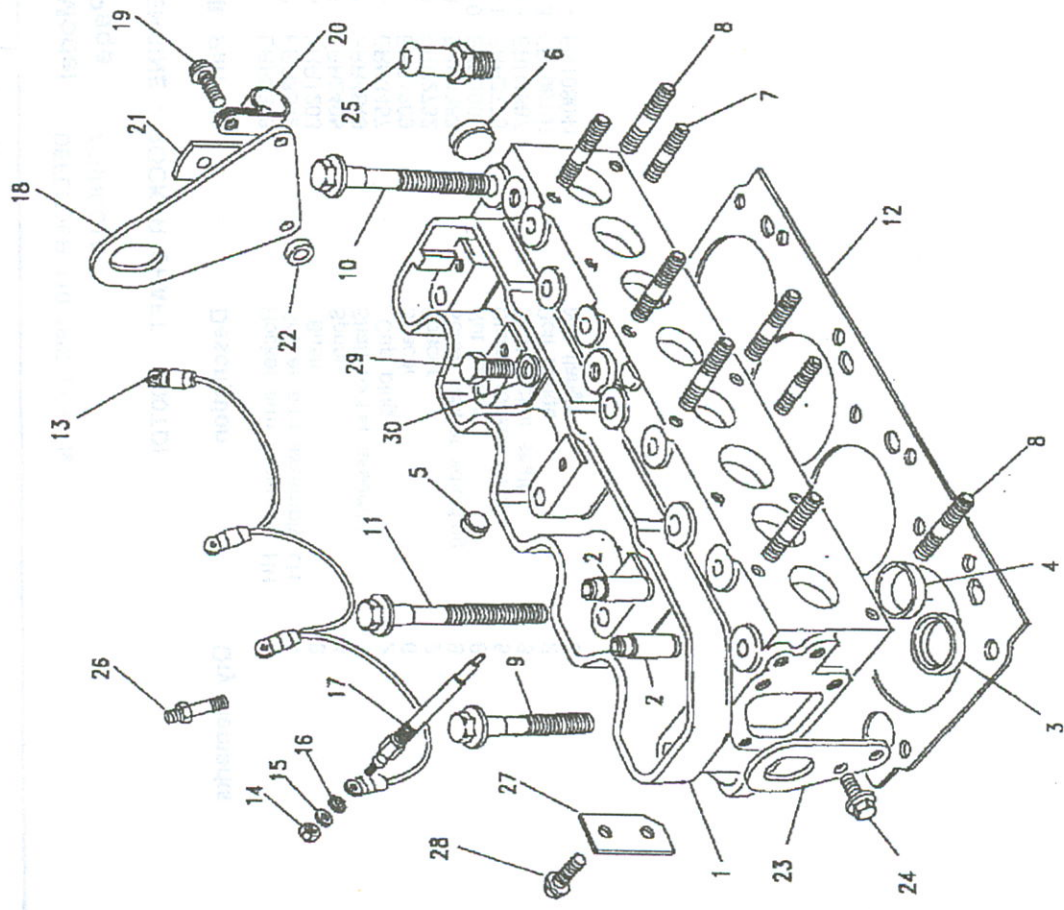
Ill. Part No.	Description	Qty	Remarks
1	ERRR5027	1	Cylinder head assembly
2	ETC8003	8	Guide-valve
3	ERRR2396	4	Insert valve seat inlet
4	ERRR3753	4	Insert valve seat exh
5	525497	1	Plug cup
6	524765	1	Plug cup
7	TE108051L	1	Stud M8 x 25
8	TE110071	2	Stud M10 x 35
9	ETC8808	10	Bolt fixing cyl head
10	ERRR1939	4	Bolt fixing cyl head
11	ETC8810	10	Bolt fixing cyl head
Gasket - Cylinder head - Selective			
12	ERRR4537	1	1.3mm
	ERRR4538	1	1.4mm
	ERRR4539	1	1.5mm
13	AMFR2425	1	Cable assembly glow plugs
14	NH104041L	4	Nut
15	WA104001L	4	Washer
16	WE104001L	4	Washer
17	ETC8847	4	Glow plug



Model DEFENDER 110 1987 onwards
 Page AFBNGA1A

ENGINE - CYLINDER HEAD - 300TDI

Ill. Part No.	Description	Qty	Remarks
18	ETC8036	1	
19	FS108251	2	Bracket lifting rear
20	CP108251	1	Screw flange
21	PRC2879	1	P Clip
22	390939	1	Bracket harness
23	ETC8031	1	Spacer
24	FS108201	1	Bracket lifting front
25	624091	2	Screw flange
26	ERR1019	1	Adaptor
27	ERC9404	4	Stud injector clamp
28	FS108161	1	Bracket retaining
29	ETC5577	1	Screw flange
30	FRC4808	1	Plug Washer joint





DEFENDER 110 1987 onwards

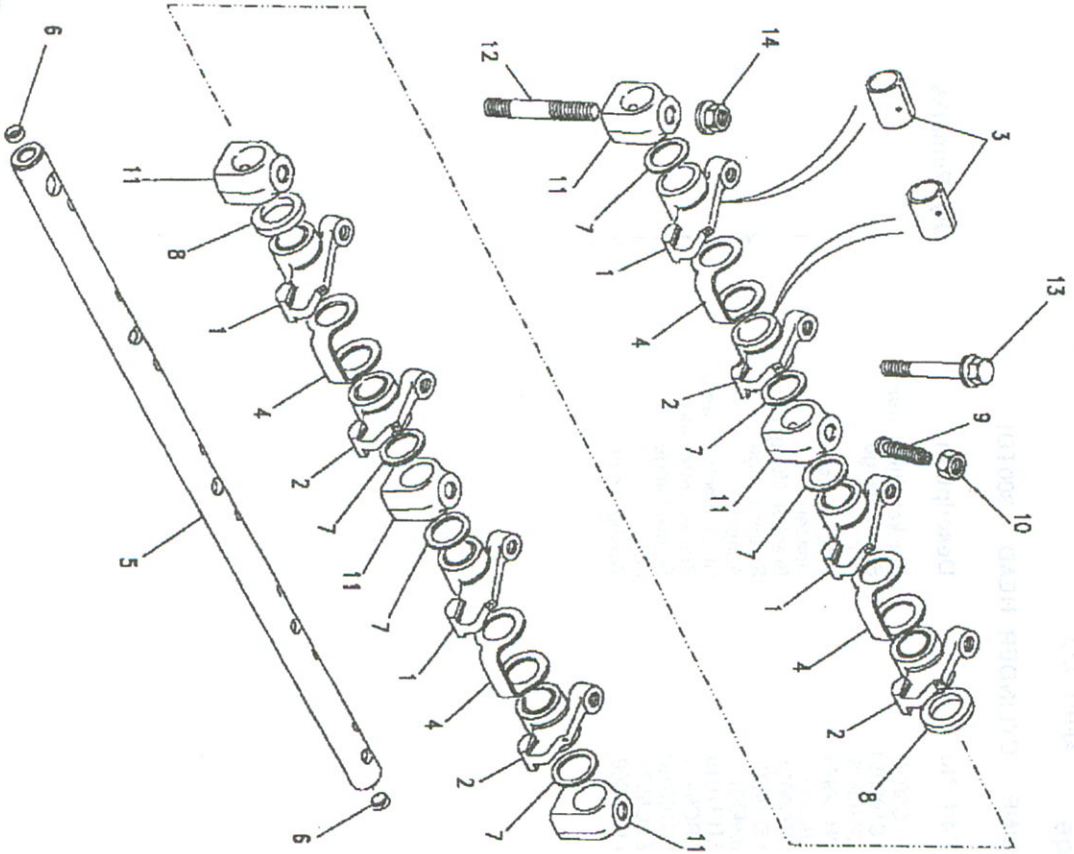
227

ENGINE

Model DEFENDER 110 1987 onwards
Page AFBNGC1A

ENGINE - ROCKER SHAFT - 300TDI

Ill. Part No.	Description	Qty	Remarks
1	ERRR3343	4	Rocker arm assembly RH
2	ERRR3342	4	Rocker arm assembly LH
3	ERRR1203	8	Bush
4	ERRR2405	4	Spring
5	ERRR4648	1	Shaft rocker assembly
6	ERRR3457	2	Cup plug
7	ERRR1209	2	Spacer
8	ERRR2732	6	Spacer
9	ERRR4683	2	Screw tappet adjusting
10	ERRR560	8	Nut locker
11	ERRR3779	8	Clamp rocker shaft
12	ERRR4687	5	Slud rocker shaft
13	FB108101	2	Bolt flange
14	FN108041	2	Nut flange

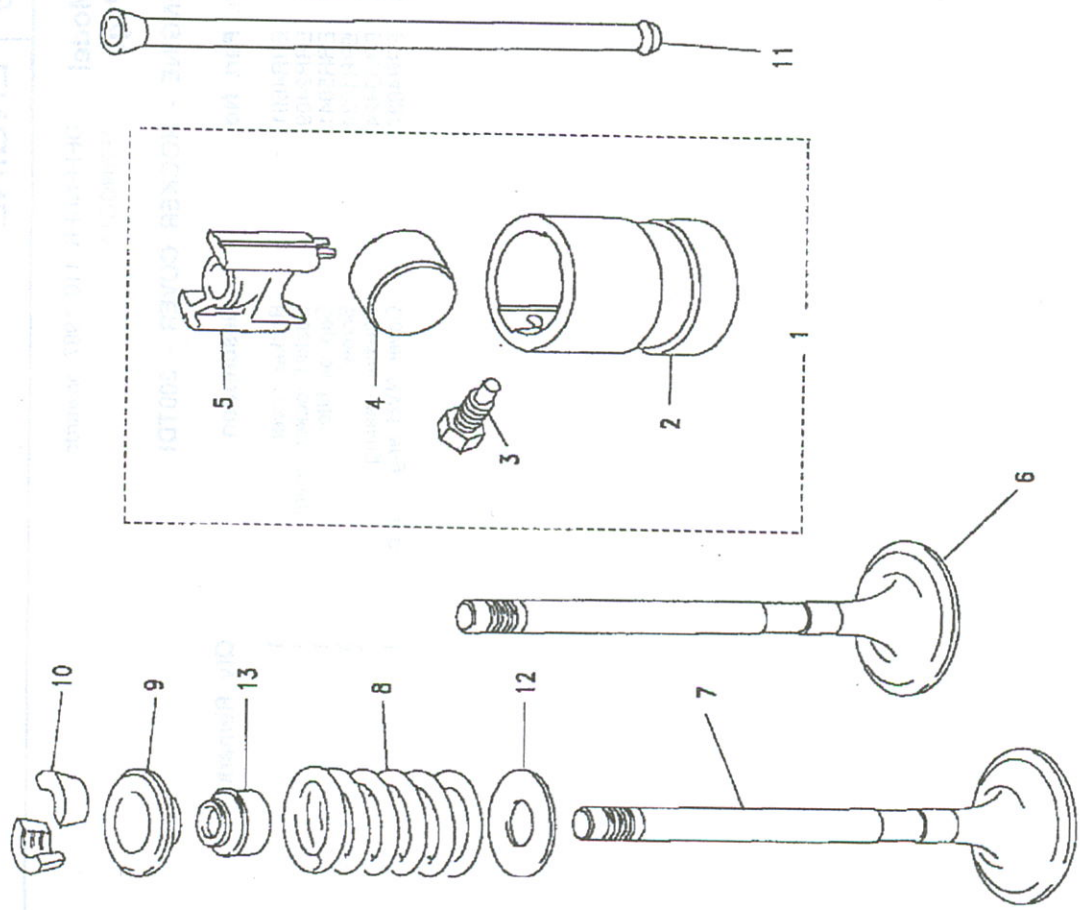




Model DEFENDER 110 1987 onwards
Page AFBNGE1A

III. Part No. Description Qty Remarks

Part No.	Description	Qty	Remarks
1	Tappet assembly	8	
2	Guide	8	
3	Set bolt	8	
4	Washer tappet guide	8	
5	Slide	8	
6	Valve inlet	4	
7	Valve exhaust	4	
8	Spring valve	8	
9	Cup valve spring	8	
10	Cotter valve spring	16	
11	Push rod	8	
12	Seat valve spring	8	
13	Seal valve stem	8	
14	Cap valve stem protection	8	





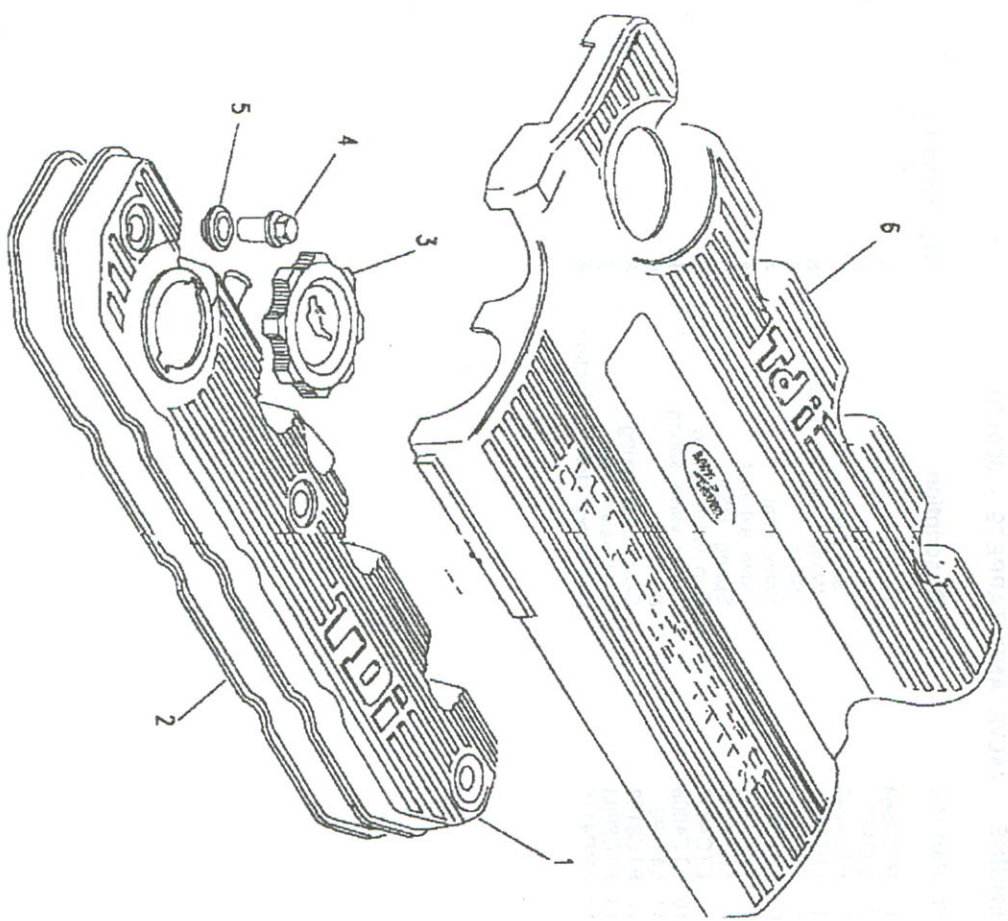
DEFENDER 110 1987 onwards

229

ENGINE

Model DEFENDER 110 1987 onwards
Page AFBNG1A

ENGINE - ROCKER COVER - 300TDI



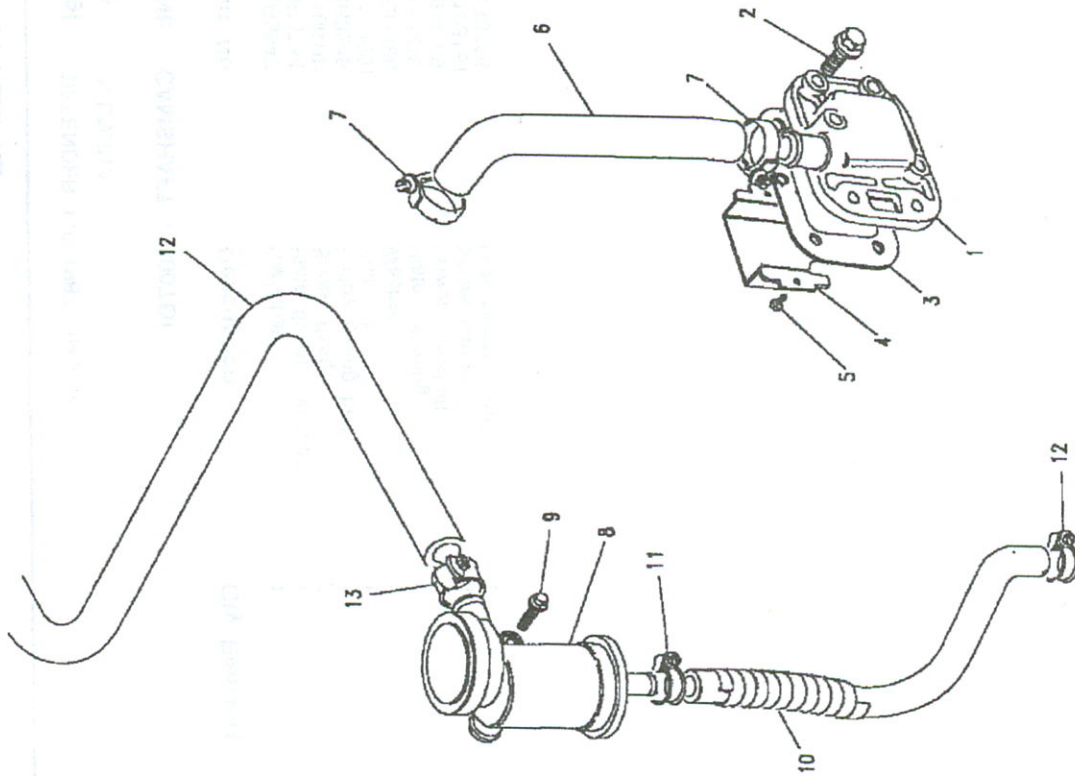
III. Part No.	Description	Qty	Remarks
1	ERR4691 Rocker cover	1	
2	ERR2409 Gasket rocker cover	1	
3	ERR5041 Cap oil filler	1	
4	ERR4834 Screw	3	
5	ERR3424 Washer sealing	3	
6	ERR4632 Cover NVH engine top	1	



Model DEFENDER 110 1987 onwards
 Page AFBNGG2A

ENGINE - CYCLONE BREATHER - 300TDI

III. Part No.	Description	Qty	Remarks
1	ERR4706	1	Cover side breather
2	FS108251	3	Screw flange
3	ERR2026	1	Gasket side cover
4	ERR874	1	Baffle plate
5	79027	1	Screw
6	ERR3084	1	Hose side to rocker cover
7	CN100258	1	Clip hose
8	ERR1471	2	Breather cyclone
9	FB106111L	1	Bolt flange
10	ERR1351	1	Hose cyclone oil drain
11	CN100208L	1	Clip hose
12	ERR4926	2	Hose cyclone to a/cleaner
13	CN100258	2	Clip hose





DEFENDER 110 1987 onwards

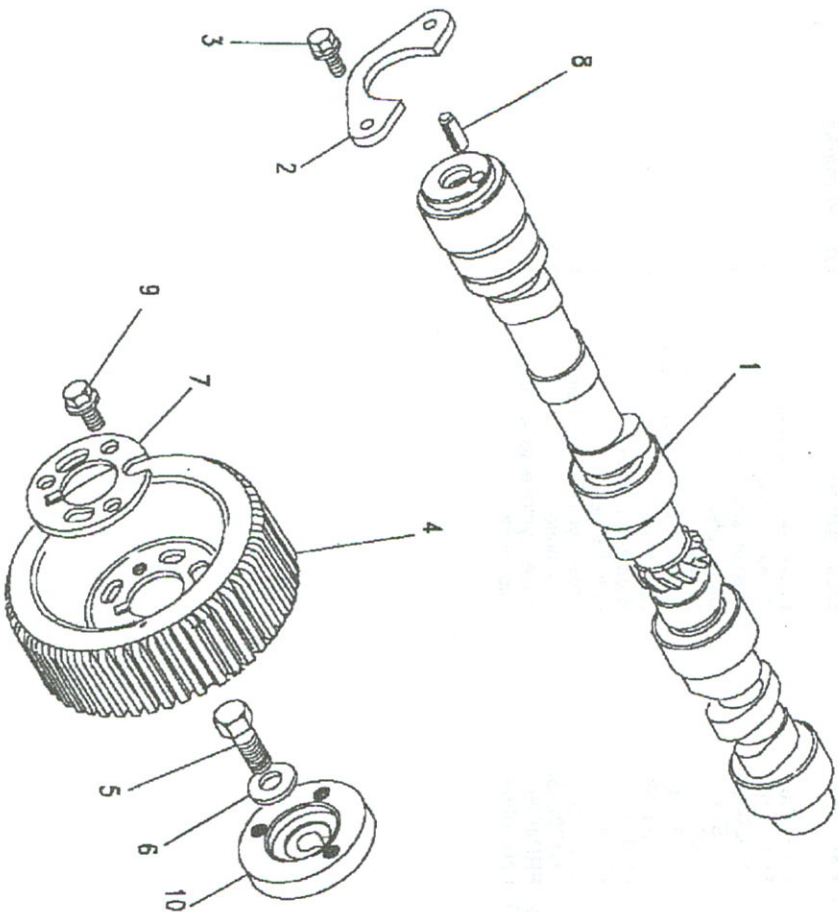
231

ENGINE

Model DEFENDER 110 1987 onwards
Page AFBNG11A

ENGINE - CAMSHAFT - 300TDI

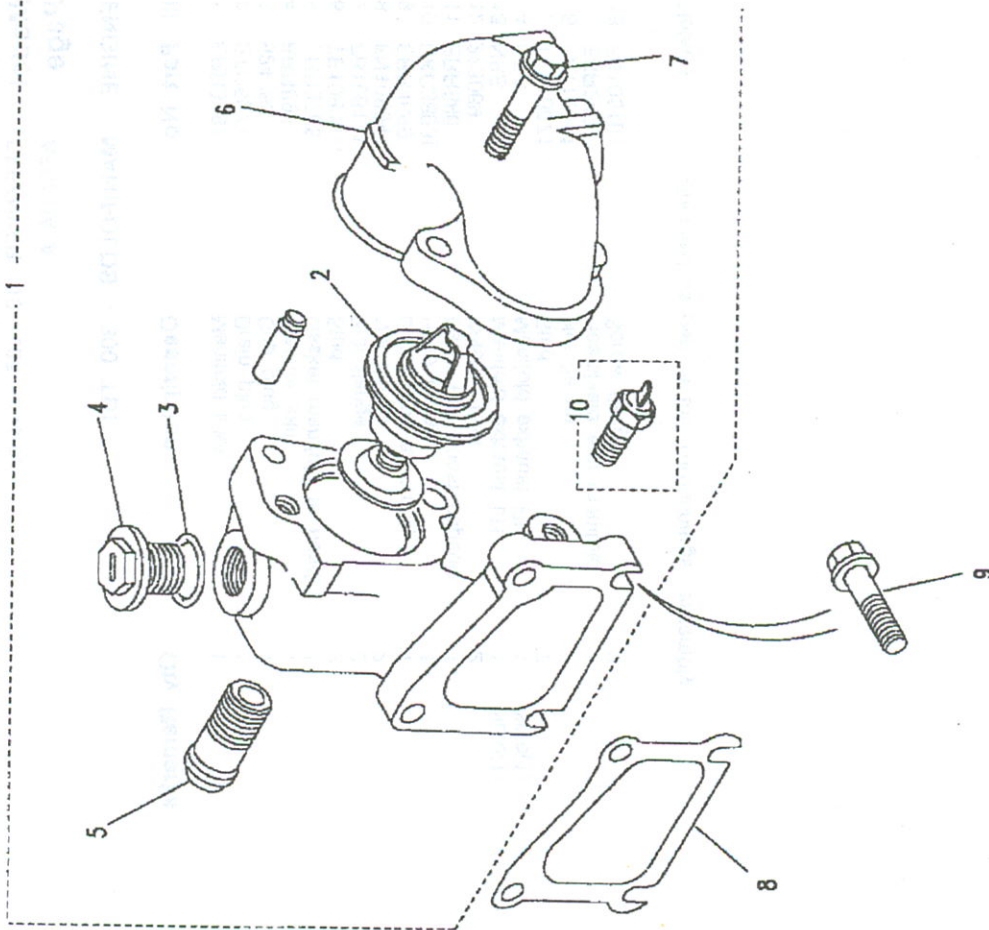
III. Part No.	Description	Qty	Remarks
1	ERR3547 Camshaft	1	
2	ERR3754 Plate thrust camshaft	1	
3	FS106161 Screw flange	2	
4	ERR3545 Pulley timing belt	1	
5	BX112091 Bolt	1	
6	BDU1496 Washer	1	
7	ERR2216 Plate retaining	1	
8	ERR4709 Dowel camshaft	1	
9	FS108161 Screw flange	1	
10	ERR3756 Hub camshaft pulley	3	



Model DEFENDER 110 1987 onwards
Page AFBNGK1A

ENGINE - THERMOSTAT - 300TDI

III. Part No.	Description	Qty	Remarks
1	ERR3479 Housing thermostat	1	
2	ERR5098 Housing thermostat	1	Air con
3	ERR3291 Thermostat	1	
4	ERR4685 O Ring	1	
5	ERR4686 Plug coolant filler	1	
6	ERR3622 Pipe stub	1	
7	ERR3737 Connection water outlet	1	
8	ERR3738 Connection water outlet	1	Air con
9	FS108251 Screw flanged	2	
10	ERR3490 Gasket outlet to housing	1	
	AMR1425 Sender temperature	4	Green
	AMR3321 Sender temperature	1	Black





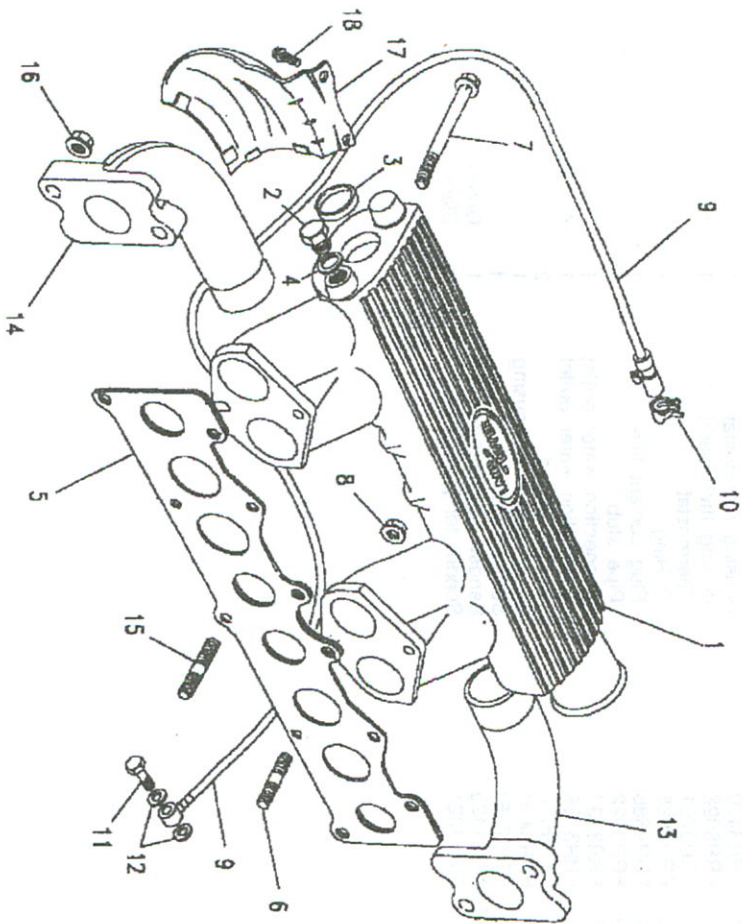
DEFENDER 110 1987 onwards

233

ENGINE

Model DEFENDER 110 1987 onwards
Page AFBNH1A1A

ENGINE - MANIFOLDS - 300 TDI



III. Part No.	Description	Qty	Remarks
1 ERR3481	Manifold inlet	1	
2 ETC5577	Drain plug	1	
3 524785	Cup plug	1	
4 ERR894	Washer joint	1	
5 ERR3785	Gasket manifold to head	1	
6 TE108051L	Stud	2	
7 FB108171	Nut flange	2	
8 FN108041	Boost pipe assembly	1	
9 ERR4699	Hose clamp	1	
10 UKC3803L	Banjo bolt boost capsule	1	
11 ERR886	Washer joint	2	
12 273069	Manifold exhaust LH	1	Note(1)
13 NSS	Manifold exhaust RH	1	Note(1)
14 NSS	Stud	7	
15 TE110071	Nut flange	7	
16 FX110041	Heatshield exh manifold	1	
17 ESR2422	Screw flange	2	
18 FS105101			

Note(1)

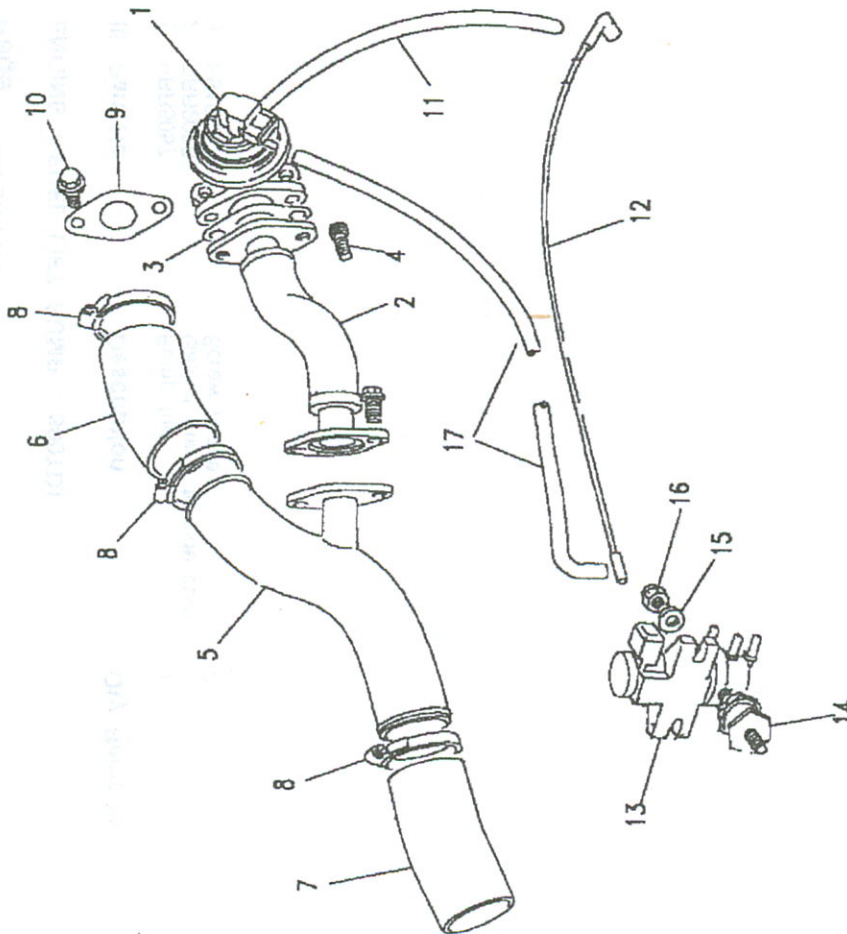
Supplied as part of the Turbocharger assembly



Model DEFENDER 110 1987 onwards
Page AFBNHE1A

ENGINE - EXHAUST GAS RECIRCULATING - 300TDI

Ill. Part No.	Description	Qty	Remarks
1	Valve EGR	1	
2	Tube delivery EGR	1	
3	Gasket EGR pipe to valve	1	
4	Screw socket	2	
5	Tube EGR mixing	1	
6	Hose intercooler EGR tube	1	
7	Hose EGR tube to in man	1	
8	Clip hose	3	
9	Gasket EGR to inlet man	1	
10	Screw flanged	2	
11	Pipe solenoid to EGR val	1	
12	Hose to air cleaner	1	
13	Modulator EGR valve	1	
14	Mounting flexible	2	
15	Nut nyloc M6	2	
16	Washer plain	2	
17	Pipe EGR vlv to modulator	1	





DEFENDER 110 1987 onwards

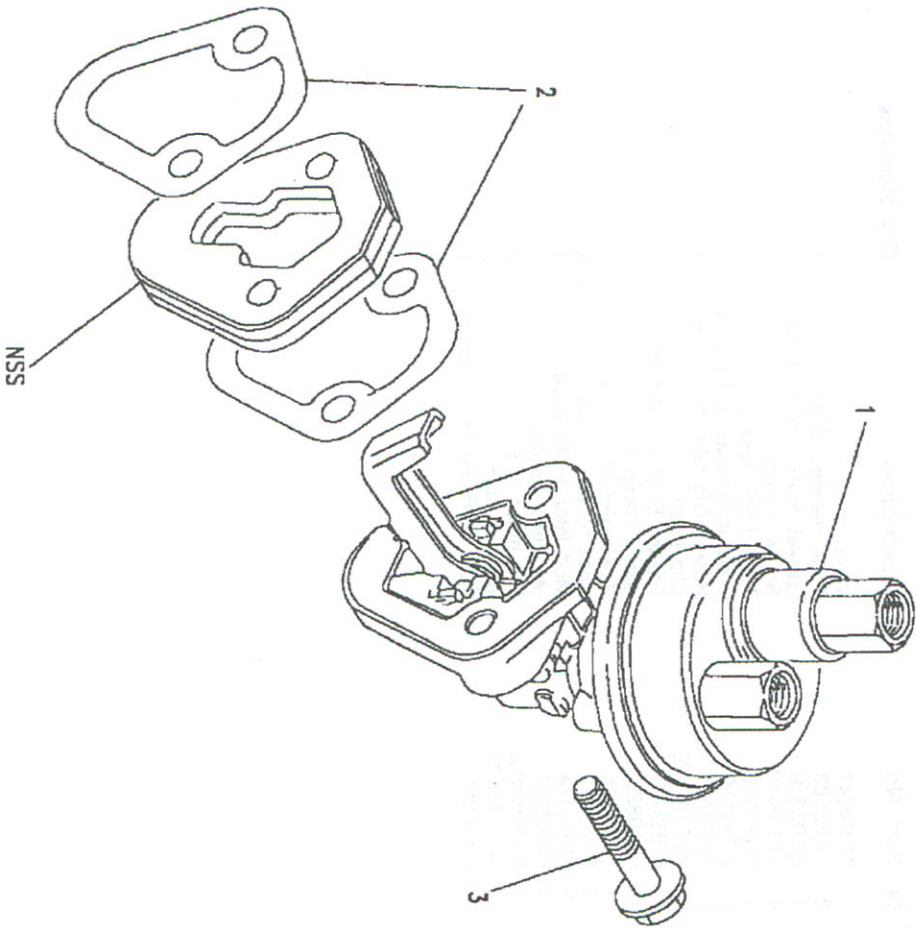
235

ENGINE

Model DEFENDER 110 1987 onwards
Page AFBNK1A1A

ENGINE - FUEL LIFT PUMP - 300TDI

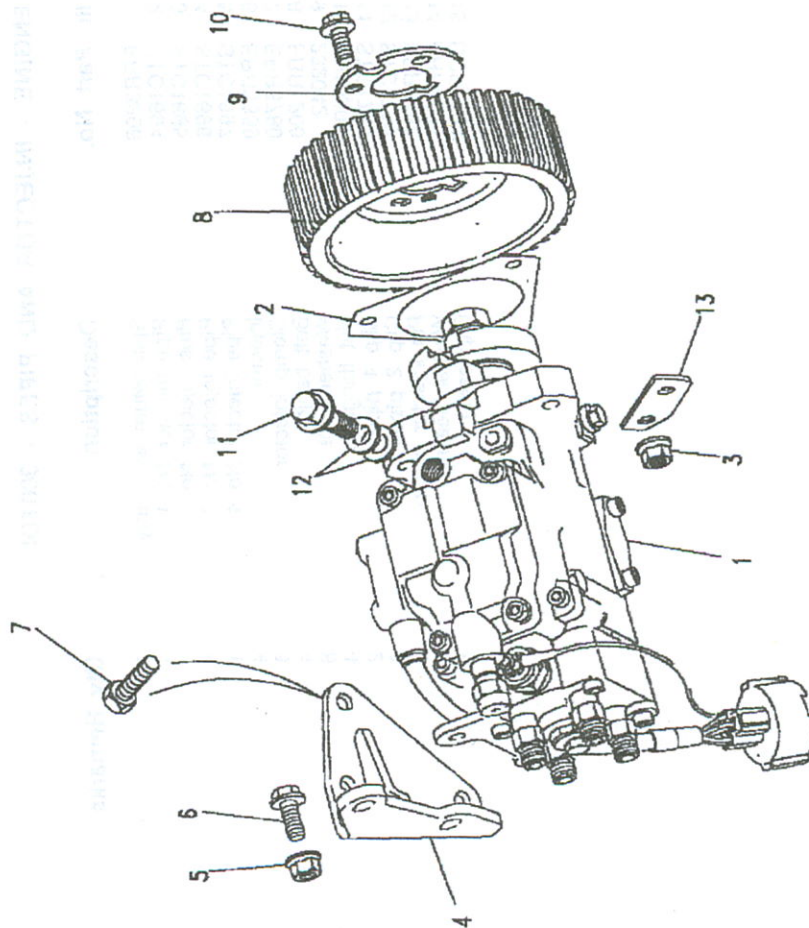
Ill. Part No.	Description	Qty	Remarks
1	Pump fuel	1	
2	Gasket pump to side cover	1	
3	Screw flange	2	



Model DEFENDER 110 1987 onwards
Page AFBKNC1A

ENGINE - INJECTION PUMP - 300TDI

III. Part No.	Description	Qty	Remarks
1	Pump fuel injection	1	
2	Switch fuel cut off	1	
3	Gasket	1	
4	Nut flanged	3	
5	Bracket FIE	1	
6	Nut flanged	2	
7	Screw flanged	3	
8	Bolt flanged	3	
9	Pulley	1	
10	Plate retaining pulley	1	
11	Screw flanged	3	
12	Bolt banjo	1	
13	Washer copper	2	
	Bracket	1	





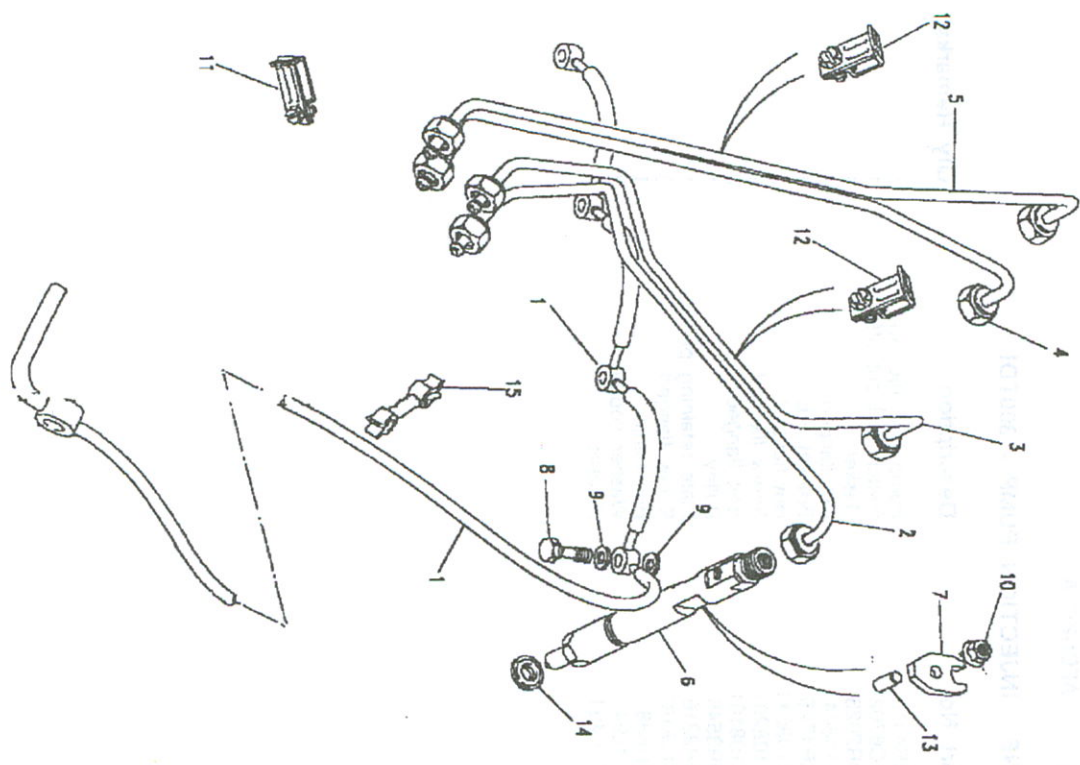
DEFENDER 110 1987 onwards

237

ENGINE

Model DEFENDER 110 1987 onwards
Page AFBNKE1A

ENGINE - INJECTOR AND PIPES - 300TDI



Ill. Part No.	Description	Qty	Remarks
1	ERR3306	1	Spill return assembly
2	STC1694	1	Pipe injector No 1
3	STC1695	1	Pipe injector No 2
4	STC1696	1	Pipe injector No 3
5	STC1697	1	Pipe injector No 4
6	ERR3339	1	Injector
7	ERR3780	4	Clamp injector
8	ERR1200	4	Clamp injector
9	232042	4	Bolt banjo
10	FN108041	4	Washer joint
11	STC1738	8	Nut flanged
12	STC1739	4	Clip 4 pipes
13	ERR3468	2	Clip 2 pipes
14	ERR4621	2	Pin injector clamp
15	DCP7384L	4	Washer sealing
		4	Clip cable



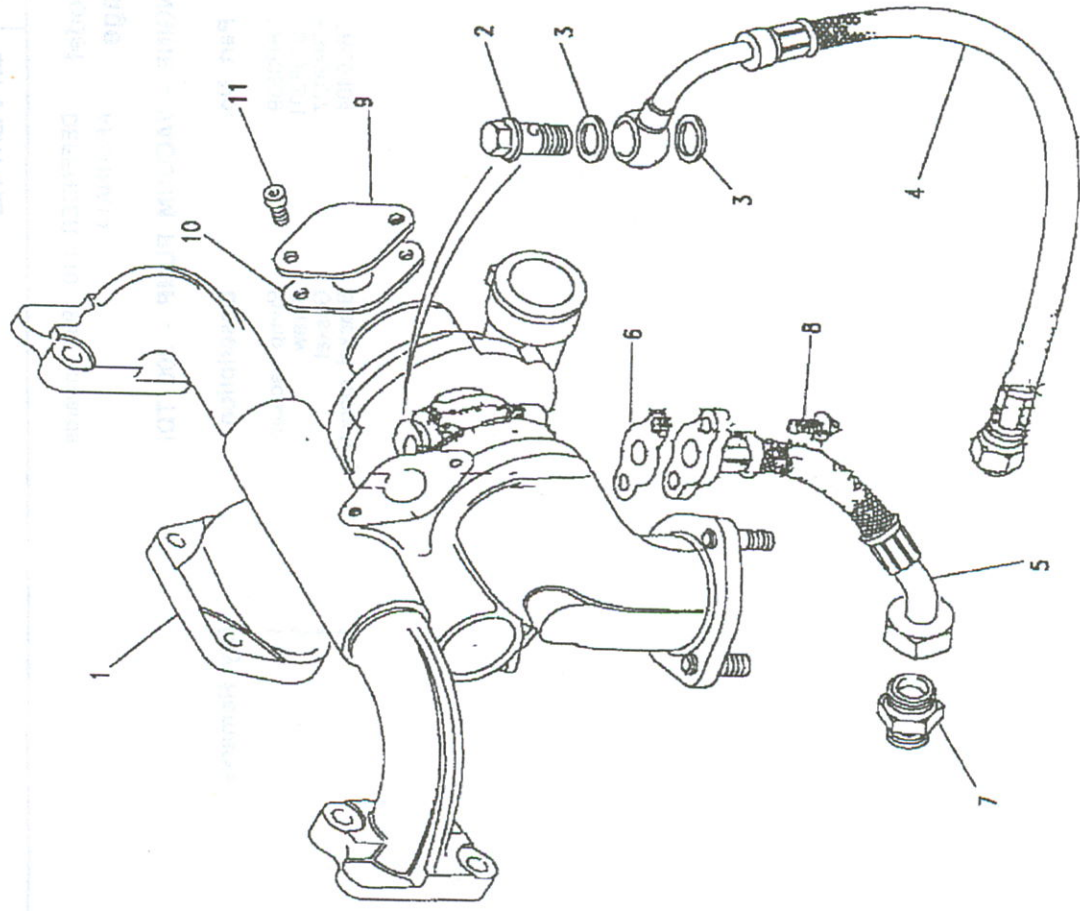
Model DEFENDER 110 1987 onwards
Page AFBNLA1A

ENGINE - TURBOCHARGER - 300TDI

Ill. Part No.	Description	Qty	Remarks
1	Turbocharger & exh man	1	
2	Bolt banjo oil feed	1	
3	Washer joint	2	
4	Pipe turbo oil feed	1	
5	Pipe oil drain	1	
6	Gasket oil drain pipe	1	
7	Adaptor oil drain	1	
8	Screw flange	2	
9	Plate blanking turbo	1	Note(1)
10	Gasket blanking plate	1	
11	Screw socket	2	

Note(1)

Not required when vehicle is fitted with Exhaust Gas Recirculation system





DEFENDER 110 1987 onwards

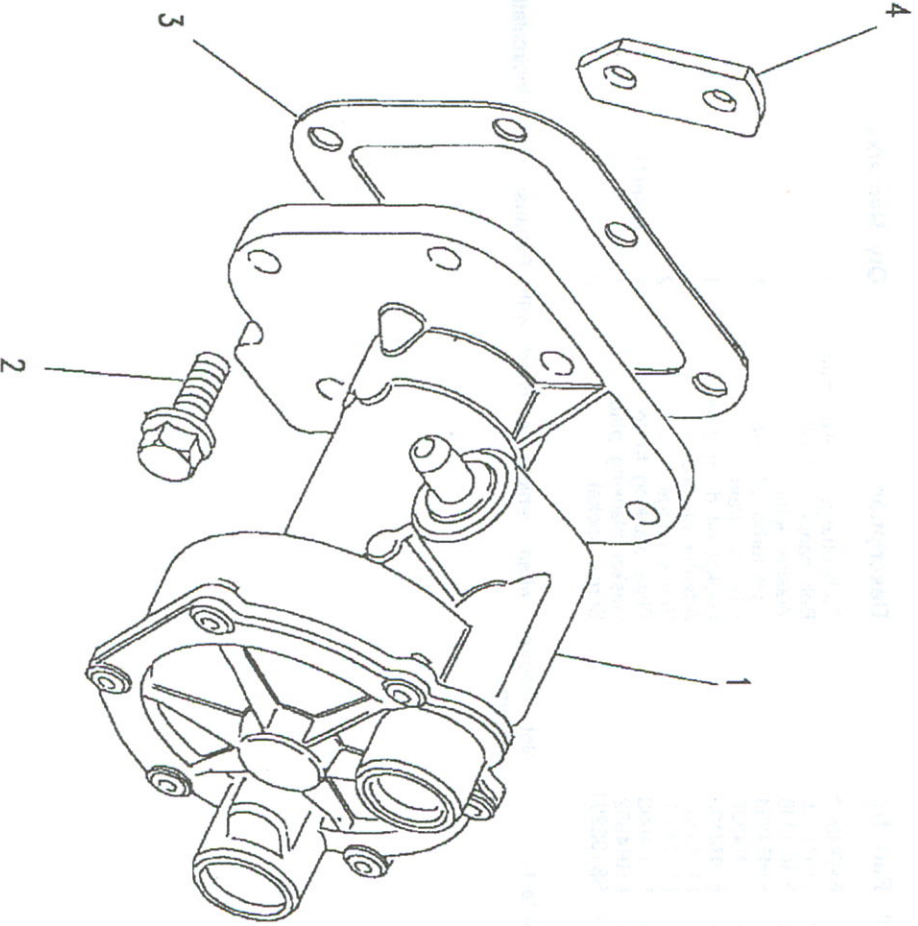
239

ENGINE

Model DEFENDER 110 1987 onwards
Page AFBNN1A1A

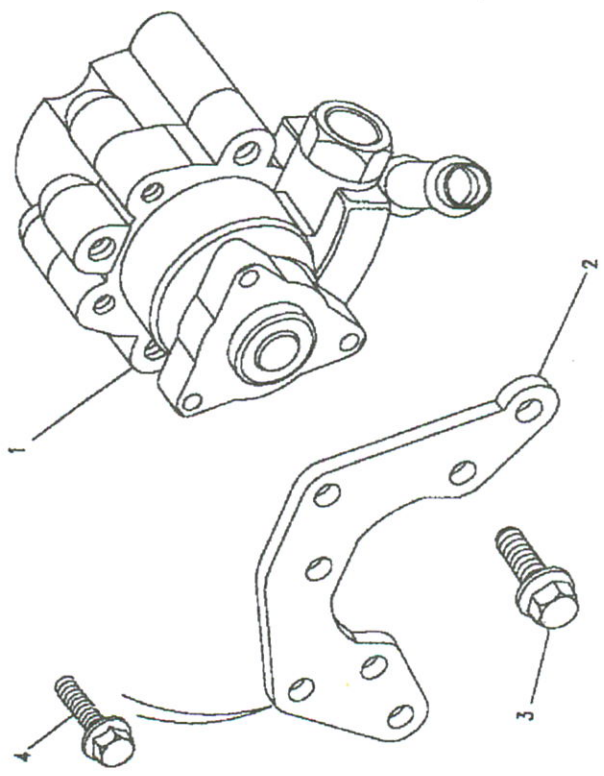
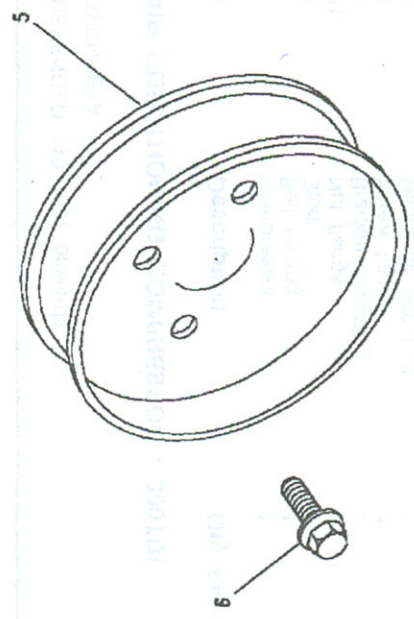
ENGINE - VACUUM PUMP - 300 TDI

Ill. Part No.	Description	Qty	Remarks
1	Pump vacuum	1	
2	Screw	5	
3	Gasket	1	
4	Bracket mounting	1	



Model DEFENDER 110 1987 onwards
 Page AFBNNC1A
ENGINE - POWER STEERING PUMP - 300 TDI

Ill. Part No.	Description	Qty	Remarks
1	Pump power steering	1	
2	Bracket mounting	1	
3	Screw flange	3	
4	Screw flange	4	
5	Pulley pump	1	
6	Screw flange	3	





DEFENDER 110 1987 onwards

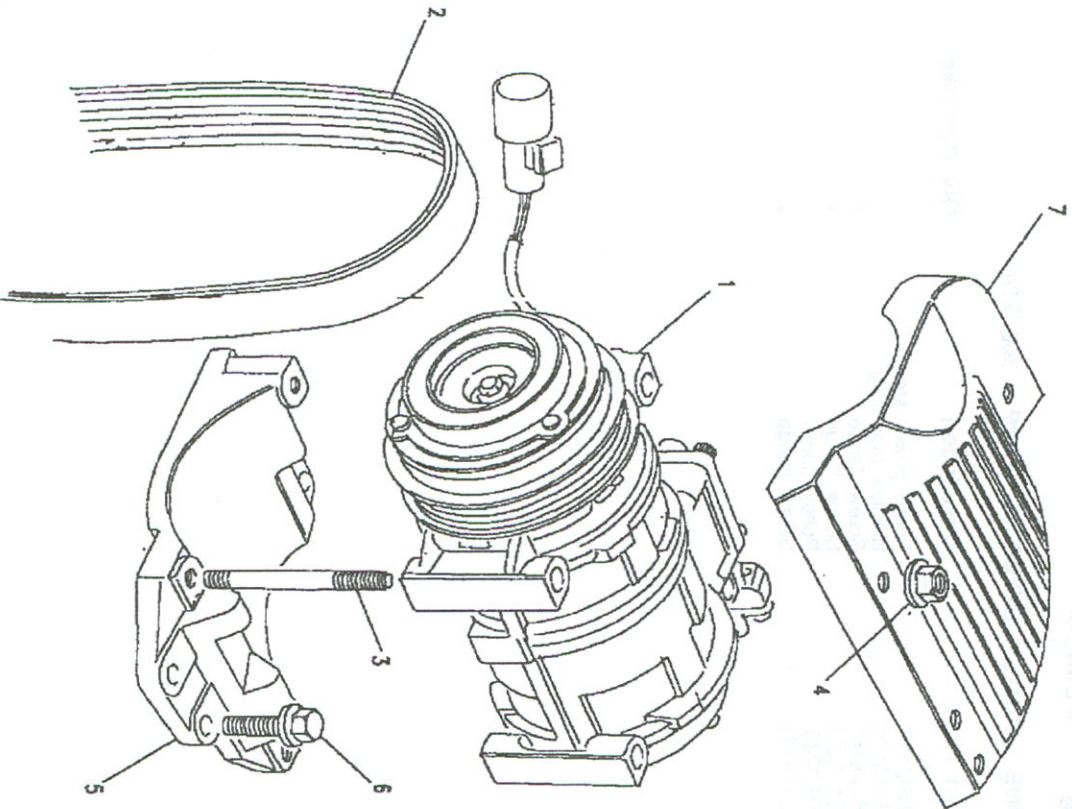
241

ENGINE

Model DEFENDER 110 1987 onwards
Page AFBNNE1A

ENGINE - AIR CONDITIONING COMPRESSOR - 300TDI

Ill. Part No.	Description	Qty	Remarks
1	BTR8505	1	Compressor
2	ERR2215	1	Belt driving
3	TE108221	3	Stud
4	FN108041L	3	Nut flange
5	ERR4638	1	Bracket mounting
6	FS110301	4	Screw flange
7	ERR4639	1	Guard air con belt
8	FN108041L	3	Nut flange

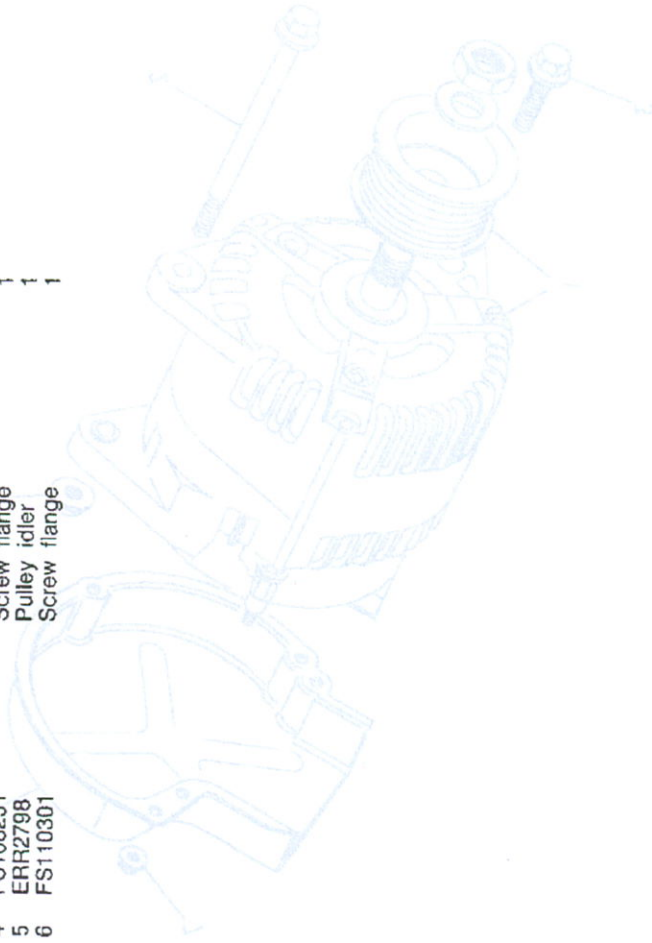
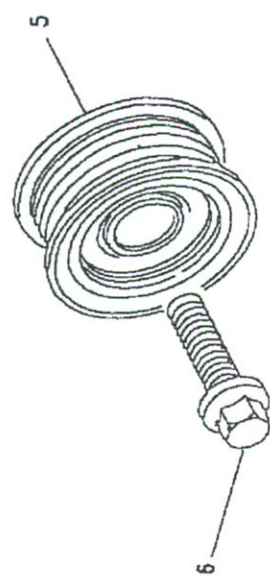
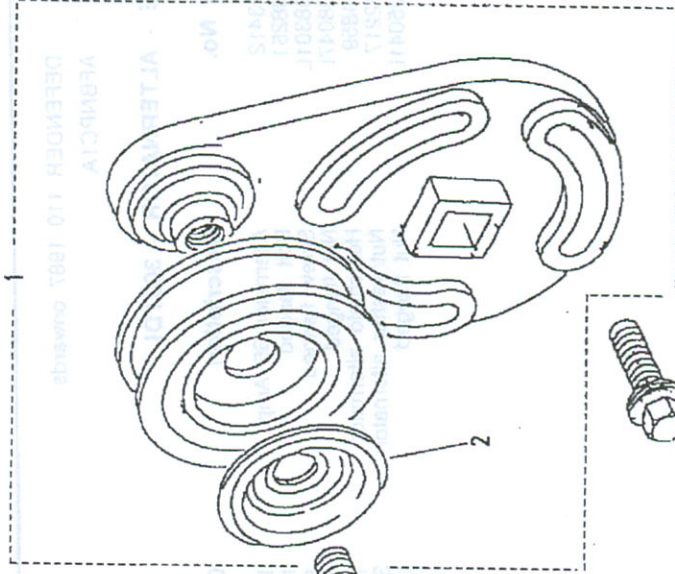




Model DEFENDER 110 1987 onwards
Page AFBNNE2A

ENGINE - AIR CONDITIONING IDLERS - 300TDI

III. Part No.	Description	Qty	Remarks
1	Tensioner belt	1	
2	Dust cover	1	
3	Screw flange	1	
4	Screw flange	1	
5	Pulley idler	1	
6	Screw flange	1	





DEFENDER 110 1987 onwards

243

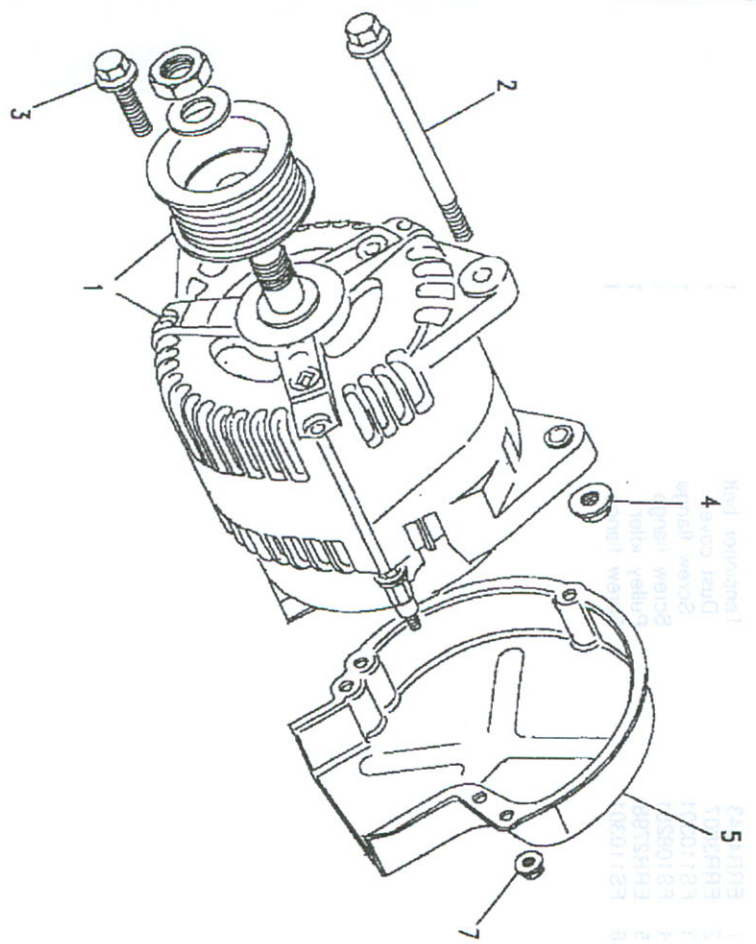
ENGINE

ИСТОК - ВРАЏИ ДИНОЦИТНОС РИ - ЕНГИНЕ

систем ВЦ

покривањ

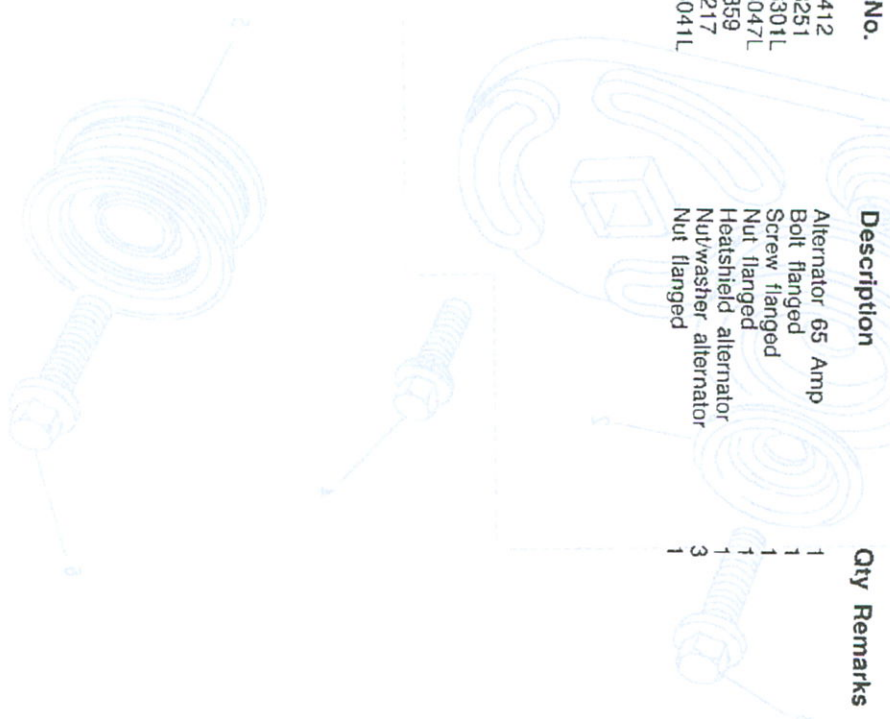
ови табл



Model DEFENDER 110 1987 onwards
 Page AFBNPC1A
 ENGINE - ALTERNATOR - 300TDI

III. Part No.	
1	AMR3412
2	FB108251
3	FS108301L
4	FX108047L
5	ERR44859
6	AMR2217
7	FN105041L

Description	Qty	Remarks
Alternator 65 Amp	1	
Bolt flanged	1	
Screw flanged	1	
Nut flanged	1	
Heatshield alternator	1	
Nut/washer alternator	3	
Nut flanged	1	





DEFENDER 110 1987 onwards

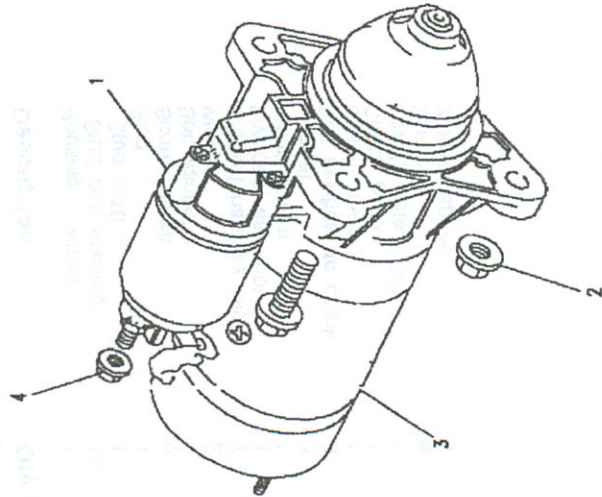
244

ENGINE

Model DEFENDER 110 1987 onwards
Page AFBNPE1A

ENGINE - STARTER MOTOR - 300TDI

III. Part No.	Description	Qty	Remarks
1 ERR5009	Starter motor	1	
2 FN110041L	Nut flanged	1	
3 FS110301L	Screw flanged	2	
4 FN108041L	Nut	1	





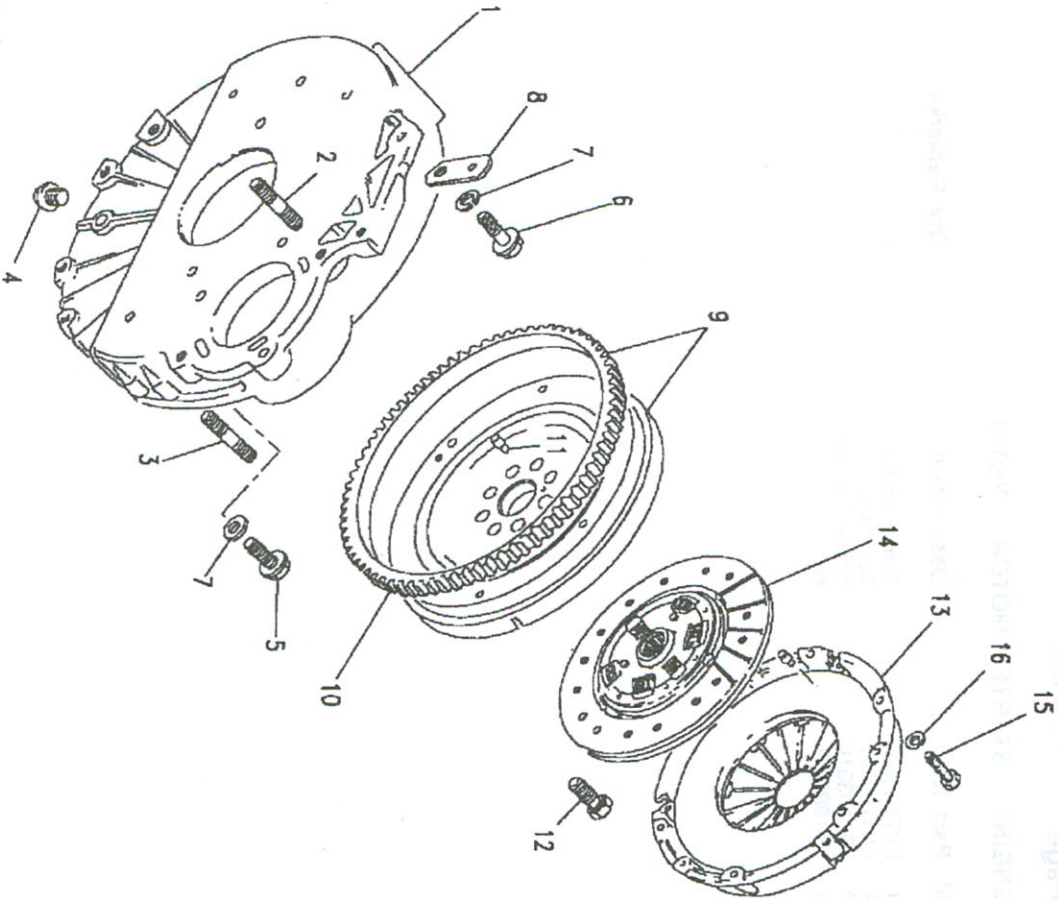
DEFENDER 110 1987 onwards

245

ENGINE

Model DEFENDER 110 1987 onwards
Page AFBNRA1A

ENGINE - FLYWHEEL & CLUTCH - 300 TDI



Ill. Part No.	Description	Qty	Remarks
1	ERR4723 Housing flywheel	1	
2	TE110061L Stud bell housing	13	
3	TE110051 Stud m10 x 25	1	
4	ERC7295 Plug	1	
5	FS110301 Screw flange	6	
6	FB110071 Bolt flange	2	
7	WA110061L Washer	2	
8	ERC9404 Bracket harness clip	2	
9	ERR719 Flywheel assembly	1	
10	568431 Ring starter	1	
11	502116 Dowel	3	
12	ERR4574 Bolt flywheel to crank	8	
13	FTO575 Clutch cover	1	
14	FTC2149 Clutch plate	1	
15	FTC1994 Clutch plate (130)	1	
16	SX108201L Screw	6	
	WL108001L Washer spring	6	





DEFENDER 110 1987 onwards

246

ENGINE

MASTER INDEX

INTRODUCTION PAGES
 ALPHABETICAL INDEX
 ENGINE
 ENGINE
 ENGINE
 ENGINE
 ENGINE
 ENGINE
 GEARBOX
 GEARBOX
 GEARBOX
 TRANSFER BOX
 TRANSFER BOX
 AXLES AND SUSPENSION
 STEERING
 VEHICLE AND ENGINE CONTROLS
 BRAKES
 FUEL SYSTEM AND AIR CLEANER
 EXHAUST SYSTEM
 COOLING/HEATING
 COOLING/HEATING
 COOLING/HEATING
 COOLING/HEATING
 COOLING/HEATING
 BODY ELECTRICAL
 BODY AND CHASSIS
 INTERIOR TRIM
 SEATS
 STOWAGE
 ACCESSORIES - PAINTS
 NUMERICAL INDEX

PAGES
 1 - 7
 8 - 16
 17 - 66
 67 - 119
 120 - 166
 167 - 209
 210 - 245
 246 - 299
 300 - 326
 327 - 344
 345 - 359
 360 - 378
 379 - 397
 398 - 444
 445 - 471
 472 - 486
 487 - 517
 518 - 579
 580 - 593
 594 - 637
 638 - 641
 642 - 649
 650 - 655
 656 - 666
 667 - 740
 741 - 909
 910 - 955
 956 - 1036
 1037 - 1046
 1047 - 1074
 1076 - 1151

GROUP B

ENGINE

ENGINE

ENGINE COMPLETE - V8 CARB 248
 ENGINE STRIPPED - V8 CARB 249
 ENGINE SHORT - V8 CARB 250
 CYLINDER BLOCK - V8 CARB 251 - 252
 CRANKSHAFT - V8 CARB 253
 PISTON & RINGS - V8 CARB 254
 SUMP - V8 CARB 255
 MOUNTING - V8 CARB 256
 FRONT COVER - V8 CARB 257
 WATER PUMP - NON VISCOUS - V8 CARB 258
 WATER PUMP - VISCOUS - V8 CARB 259
 COOLING FAN - V8 CARB 260 - 261
 DRIVE BELTS - V8 CARB 262 - 263
 OIL PUMP - V8 CARB 264
 CYLINDER HEAD - V8 CARB 265 - 266
 VALVES & TAPPETS - V8 CARB 267
 ROCKER COVER - V8 CARB 268
 CAMSHAFT - V8 CARB 269
 INLET MANIFOLD - V8 CARB 270
 THERMOSTAT & HOUSING - V8 CARB 271
 GASKETS INLET MANIFOLD - V8 CARB 272
 EXHAUST MANIFOLD - V8 CARB 273
 HEATSHIELD - V8 CARB 274
 CARBURETTER - V8 CARB 275
 CARBURETTER ADAPTORS - V8 CARB 276
 FLAME TRAP - V8 CARB 277
 AIR INLETS - V8 CARB - NON DETOXED 278
 AIR INLETS - V8 CARB - DETOXED 279
 BREATHERS - V8 CARB 280
 THROTTLE LINKAGE - V8 CARB 281
 GASKET KITS - V8 CARB 282
 POWER STEERING PUMP 283 MOUNTINGS - V8 CARB 283
 AIRCON COMPRESSOR - V8 CARB 284 - 285
 COMPRESSOR FIXINGS - V8 CARB 286
 AIR CONDITIONING - V8 CARB 287
 DISTRIBUTOR - V8 CARB 288
 IGNITION COIL - V8 CARB 289
 ALTERNATOR - V8 CARB 290 - 291





DEFENDER 110 1987 onwards

247

ENGINE

ALTERNATOR FIXINGS - V8 CARB - NON AIR CON
 ALTERNATOR FIXINGS - V8 CARB - WITH AIR CON
 ALTERNATOR FIXINGS - V8 CARB
 STARTER MOTOR - V8 CARB
 FLYWHEEL & CLUTCH - V8 CARB

292 - 293
 294 - 295
 296
 297 - 298
 299

982			
983			
984			
985			
986			
987			
988			
989			
990			
991			
992			
993			
994			
995			
996			
997			
998			
999			
1000			
1001			
1002			
1003			
1004			
1005			
1006			
1007			
1008			
1009			
1010			
1011			
1012			
1013			
1014			
1015			
1016			
1017			
1018			
1019			
1020			
1021			
1022			
1023			
1024			
1025			
1026			
1027			
1028			
1029			
1030			
1031			
1032			
1033			
1034			
1035			
1036			
1037			
1038			
1039			
1040			
1041			
1042			
1043			
1044			
1045			
1046			
1047			
1048			
1049			
1050			
1051			
1052			
1053			
1054			
1055			
1056			
1057			
1058			
1059			
1060			
1061			
1062			
1063			
1064			
1065			
1066			
1067			
1068			
1069			
1070			
1071			
1072			
1073			
1074			
1075			
1076			
1077			
1078			
1079			
1080			
1081			
1082			
1083			
1084			
1085			
1086			
1087			
1088			
1089			
1090			
1091			
1092			
1093			
1094			
1095			
1096			
1097			
1098			
1099			
1100			

