

Parts Catalogue
Land Rover One Ten
1987 Model Year



PART NO RTC9932CE

AUGUST 1994.



**GENUINE
PARTS**



DEFENDER 110 1987 onwards

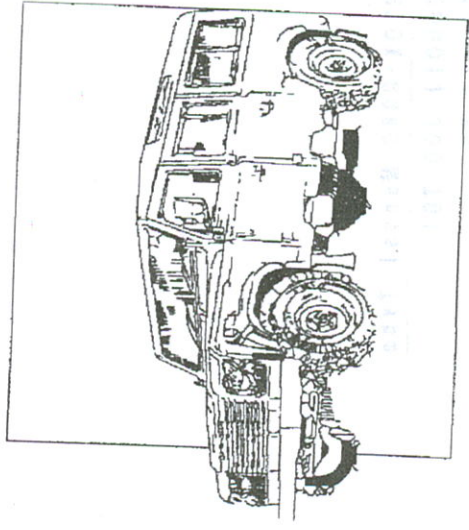
1

INTRODUCTION PAGES

PARTS CATALOGUE

Part No. RTC9932 CE

Aug 1994



Whilst every effort is made to ensure the accuracy of the particulars contained in this Catalogue, modifications and vehicle specification changes may affect the information specified. No responsibility is accepted for the incorrect supply of parts or any other consequence that may arise as a result of information in this Catalogue not being in accord with modifications or vehicle specification changes which are subsequent to the date of this catalogue. Also no responsibility is accepted for the incorrect supply of parts or any other consequence that may arise as a result of any misinterpretation of the information specified in this Catalogue.

C LAND ROVER UK LTD 1994

All rights reserved. No part of this publication may be reproduced, stored in a retrieval system or transmitted, in any form, electronic, mechanical, photocopying, recording or other means without prior written permission from Land Rover Parts Ltd.

DEFENDER 110





DEFENDER 110 1987 onwards

2

INTRODUCTION PAGES

SERIAL NUMBER IDENTIFICATION

ENGINES-Diesel

12J00001C 2.5 N.A

19J00001C 2.5 Turbo

11L00001 200 TDI 1991 MY

16L00001A 300 TDI 1995 MY
ENGINES-Petrol

20G00001 3.5 Litre V8 8.13.1 CR NON DETOXED

24G00001 3.5 Litre V8 8.13.1 CR DETOXED

17H00001C 2.5

GEARBOX-LT85 Manual Type

20C00001 5 Speed V8 Carb

22C00001 5 Speed V8 Carb

GEARBOX-LT77 Manual Type

50A00001 5 Speed 4 Cylinder

GEARBOX-LT77S Manual Type

56A00001 5 Speed 200 TDI 1991 MY

60A00001 5 Speed V8

61A00001 5 Speed V8 with Oil Cooler

TRANSFER GEARBOX-LT230T Type

20D00001 4 Cylinder Petrol/Diesel

22D00001 4 Cylinder Diesel Turbo

25D00001 V8 Petrol

TRANSFER GEARBOX-LT230T Type used on

LT77S GEARBOX

32D00001 4 Cylinder Petrol/Diesel and V8

GEARBOX-R380 Manual Type

50A00001J 300 TDI

60A00001J V8

81A00001J V8 COOLED

50A00001J 4Cyl (Not TDI)





DEFENDER 110 1987 onwards

3

INTRODUCTION PAGES

AXLE SERIAL NUMBERS

FRONT

20L00001A RHS

21L00001A LHS

63L00001A RHS

64L00001A LHS

REAR

21S00001A

38S00001A HEAVY DUTY

39S00001A STANDARD





DEFENDER 110 1987 onwards

4

INTRODUCTION PAGES

VIN CODE	ENGINE	GEARBOX	STEERING
HOOD/CAB/HARDTOP			
SALLDHDAD7**	2.5 PETROL	5 SPEED	RH STG
SALLDHDAD8**	2.5 DIESEL	5 SPEED	LH STG
SALLDHAC7**	2.5 DIESEL	5 SPEED	RH STG
SALLDHAB7**	2.5 DIESEL	5 SPEED	RH STG
SALLDHAC8**	2.5 DIESEL	5 SPEED	LH STG
SALLDHAB8**	2.5 DIESEL	5 SPEED	LH STG
SALLDHAV7**	3.5 PETROL	5 SPEED	LH STG
SALLDHAV8**	3.5 PETROL	5 SPEED	LH STG

STATION WAGON	ENGINE	GEARBOX	STEERING
SALLDHMD7**	2.5 PETROL	5 SPEED	RH STG
SALLDHMD8**	2.5 DIESEL	5 SPEED	LH STG
SALLDHMC7**	2.5 DIESEL	5 SPEED	RH STG
SALLDHMB7**	2.5 DIESEL	5 SPEED	RH STG
SALLDHMC8**	2.5 DIESEL	5 SPEED	LH STG
SALLDHMB8**	2.5 DIESEL	5 SPEED	LH STG
SALLDHMV7**	3.5 PETROL	5 SPEED	RH STG
SALLDHMV8**	3.5 PETROL	5 SPEED	LH STG

HIGH CAPACITY PICK-UP	ENGINE	GEARBOX	STEERING
SALLDHHHD7**	2.5 PETROL	5 SPEED	RH STG
SALLDHHHD8**	2.5 DIESEL	5 SPEED	LH STG
SALLDHHHC7**	2.5 DIESEL	5 SPEED	RH STG
SALLDHHHB7**	2.5 DIESEL	5 SPEED	RH STG
SALLDHHHC8**	2.5 DIESEL	5 SPEED	LH STG
SALLDHHHB8**	2.5 DIESEL	5 SPEED	LH STG
SALLDHHV7**	3.5 PETROL	5 SPEED	RH STG
SALLDHHV8**	3.5 PETROL	5 SPEED	LH STG

** BA - 87 MODEL YEAR
 ** EA - 88 MODEL YEAR
 ** FA - 89 MODEL YEAR
 ** GA - 90 MODEL YEAR





DEFENDER 110 1987 onwards

5

INTRODUCTION PAGES



DEFENDER 110 VEHICLE IDENTIFICATION NUMBERING
FROM INTRODUCTION OF 1991 MODEL YEAR

VIN CODE	ENGINE	GEARBOX	STEERING
REGULAR			
SALLDHAD7**	2.5 PETROL	5 SPEED	RH STG
SALLDHAD8**	2.5 PETROL	5 SPEED	LH STG
SALLDHAC7**	2.5 DIESEL	5 SPEED	RH STG
SALLDHAC8**	2.5 DIESEL	5 SPEED	LH STG
SALLDHAF7**	200 TDI	5 SPEED	RH STG
SALLDHAF8**	200 TDI	5 SPEED	LH STG
SALLDHAV7**	3.5 PETROL	5 SPEED	RH STG
SALLDHAV8**	3.5 PETROL	5 SPEED	LH STG
STATION WAGON			
SALLDHMD7**	2.5 PETROL	5 SPEED	RH STG
SALLDHMD8**	2.5 PETROL	5 SPEED	LH STG
SALLDHMC7**	2.5 DIESEL	5 SPEED	RH STG
SALLDHMC8**	2.5 DIESEL	5 SPEED	LH STG
SALLDHMF7**	200 TDI	5 SPEED	RH STG
SALLDHMF8**	200 TDI	5 SPEED	LH STG
SALLDHMV7**	3.5 PETROL	5 SPEED	RH STG
SALLDHMV8**	3.5 PETROL	5 SPEED	LH STG
HIGH CAPACITY PICK-UP			
SALLDHD7**	2.5 PETROL	5 SPEED	RH STG
SALLDHD8**	2.5 PETROL	5 SPEED	LH STG
SALLDHC7**	2.5 DIESEL	5 SPEED	RH STG
SALLDHC8**	2.5 DIESEL	5 SPEED	LH STG
SALLDHF7**	200 TDI	5 SPEED	RH STG
SALLDHF8**	200 TDI	5 SPEED	LH STG
SALLDHHV7**	3.5 PETROL	5 SPEED	RH STG
SALLDHHV8**	3.5 PETROL	5 SPEED	LH STG

DEFENDER 130 VEHICLE IDENTIFICATION NUMBERING
FROM INTRODUCTION OF 1991 MODEL YEAR

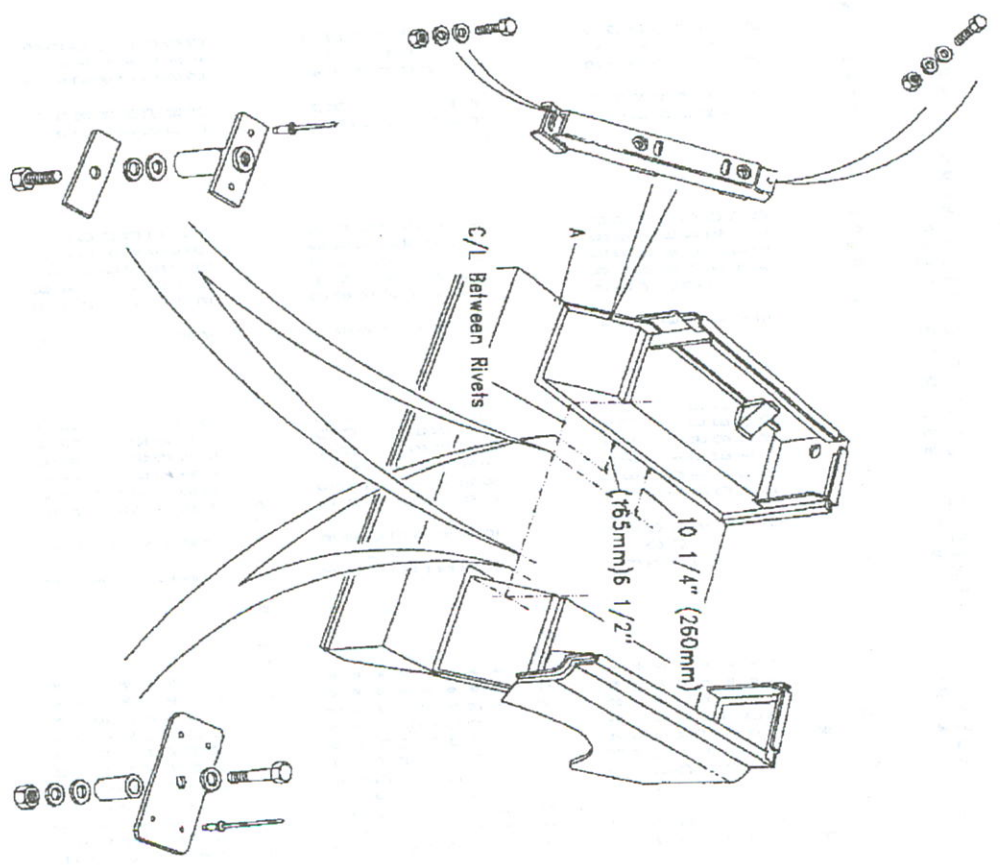
VIN CODE	ENGINE	GEARBOX	STEERING
REGULAR			
SALLDKAF7**	200 TDI	5 SPEED	RH STG
SALLDKAF8**	200 TDI	5 SPEED	LH STG
SALLDKAV7**	3.5 PETROL	5 SPEED	RH STG
SALLDKAV8**	3.5 PETROL	5 SPEED	LH STG
HIGH CAPACITY PICK-UP			
SALLDKHF7**	200 TDI	5 SPEED	RH STG
SALLDKHF8**	200 TDI	5 SPEED	LH STG
SALLDKHV7**	3.5 PETROL	5 SPEED	RH STG
SALLDKHV8**	3.5 PETROL	5 SPEED	LH STG

** HA-91 MODEL YEAR
** JA-92 MODEL YEAR
** KA-93 MODEL YEAR
** LA-94 MODEL YEAR
** MA-95 MODEL YEAR



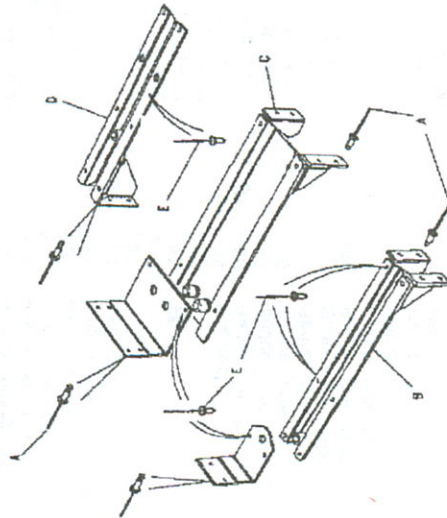
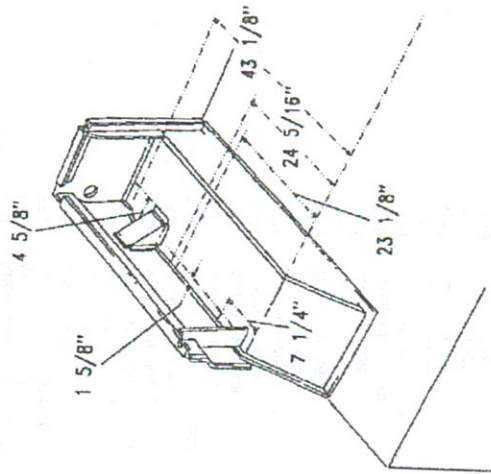
FITTING INSTRUCTION FOR INTERMEDIATE SEAT BELT MOUNTINGS LOWER - LR 110

- 1.0 Jack up rear of vehicle, support on stands, remove road wheels.
- 2.0 Fold intermediate seats forward (or remove) and remove rear load space mat or carpet.
- 3.0 Outer Lower Mounting:
Remove existing bolt (A), floor to bodyframe and ensure a full 5/16" clearance.
- 3.1 Fit bracket (347844) under wheelarch and temporarily secure at lower end using bolt (SH605081L) and nut (SH605041L). Ensure that the slots in the bracket are located over the outer pair of pop rivets.
- 3.2 Drill upper fixing hole 5/16" from under wheelarch and fit bolt (255227) to locate bracket.
- 3.3 Mark position of lower seat belt fixing point on the underside of the wheelarch. Remove bracket and drill seat belt fixing with 1/4" pilot hole and then open up to 5/8".
- 3.4 Refit bracket using bolt (SH605081L) 1 off at lower fixing and bolt (255227) 1 off at the upper fixing. Secure using plain washer (38301), spring washer (WM600051L) and nut (NH605041L).
- 4.0 Floor Mounting:
Locate step in wheelbox and draw a vertical line down to floor. Find mid point between rivets in floor and draw a line across the floor.
- 4.1 Measure 6 1/2" and 10 1/4" from either side of wheelarch and mark position. Drill 1/4" pilot holes through floor and crossmember.
- 4.2 On outer holes open up to 5/8" through floor skin only, open pilot holes to 5/16" in crossmember. On inner holes open up to 5/8" through floor and crossmember.
- 4.3 In outer holes fit spacers, screws, washers and nuts and tighten. Place anchor point tube in inner holes, drill holes 5/16" for rivets and rivet to floor.
- 4.4 From under vehicle fit screws, washer and tabwashers. Tighten screw and bend tabwasher over screws and crossmember.
- 5.0 Replace rear mat or carpet and replace seats.
- 6.0 Replace road wheels and remove vehicle from stands.



FITTING INSTRUCTIONS FOR REAR INWARD FACING SEAT BELT MOULDINGS LR110

- 1.0 Remove inward facing seals.
- 2.0 Jack up vehicles, support on stands and remove rear road wheels.
- 3.0 Remove rear light covers and the rear foot retaining strap from wheelarch.
- 4.0 Check stiffeners and open holes for monobolts ref A on illustration to 17/64".
- 5.0 Mark position for stiffeners as follows:
 Front Stiffener (B)
 From step in wheelarch box measure 7 1/4", draw a line from wheelarch inner edge to bodyside. Measure 1.5/8" from bodyside and drill 1/4" pilot hole.
 Centre Stiffener (C)
 From step in wheelarch box measure 23 1/8" and 24.5/16", draw a line from wheelarch inner edge to bodyside. Measure 1.5/8" from bodyside and drill 1/4" pilot holes.
 Rear Stiffener (D)
 From step in wheelarch box measure 43 1/8" draw a line from wheelarch inner edge to bodyside. Measure 4.5/8" from bodyside and drill 1/4" pilot hole.
- 5.3 Open up pilot holes to 5/8" and deburr.
- 5.0 Front and Centre Stiffener.
 From under vehicle position stiffeners to wheelarch box, locate angle bracket and use 7/16" UNF bolt and washer to position stiffeners, drill holes 17/64" for monobolts Ref A, deburr and rivet up.
- 6.1 Rear Stiffener.
 From under wheelarch of rear of vehicle remove rubber protector for rear lamp wiring, trim 1/4" to 1/2" from top of protector to allow stiffener to fit body. Remove excess sealer as required and refit rubber protector. Position stiffener to wheelarch box, use 7/16" UNF bolt and washer to position stiffener, drill 3/16" holes for rivets, deburr and rivet, drill holes 17/64" for monobolts deburr and rivet up.
- 7.0 Remove 7/16" bolts and repeat operations for opposite wheelarch.
- 8.0 Refit light covers and re-position foot retaining strap to forward edge of centre angle bracket.
 Fit seatbelts with long end of belt in centre fixings and tighten.
- 9.0 Refit seats - Road wheels and remove vehicle from stands.





DEFENDER 110 1987 onwards

9

ALPHABETICAL INDEX

C - Continued

Camshaft - 300tdi	231	Centre - county - type b - note(1)	973 - 974	Cooling fan - v8 carb	260 - 261	Cushion cloth	964
Canister charcoal	576	Centre - county - 1988 my onwards	978 - 979	Cooling fan - 300 tdi	223	Cushion cloth	966
Canister charcoal	577	Centre power take off	1051 - 1062	Corner bracket rh	833	Cushion cloth	968
Cap centre	578	Channel checks/trap rh	789	Cover aux instruments	727	Cushion cloth	971
Cap expansion tank	446	Channel drain rh	900	Cover battery access	760	Cushion cloth	973
Cap expansion tank-9psi	621	Channel side drain rh	900	Cover bumper protection	747	Cushion cloth	976
Cap fuel filler	525	Channel top drain rh	746	Cover centre	760	Cushion cloth	979
Cap fuel filler	526	Chassis fittings	743 - 745	Cover dash side lh	927	Cushion cloth	985
Capping corner lh	824	Chassis frame	692 - 694	Cover floor lh rhs	952	Cushion cloth	959
Capping front panel	834	Chassis harness	799	Cover floor rh rhs	762	Cushion vinyl	966
Capping rh	833	Checklink	800	Cover fuel tank access	915	Cyclone breather - 300tdi	230
Capping rh	842	Checklink rh	790	Cover fusebox	513	Cyclone breather assembly - 2.5 d	96
Car care	1068	Child seat belt retention	794	Cover handbrake	514	Cyclone breather assembly - 200 t	189
Carburettor - v8 carb	275	Child seat	1035	Cover handbrake	921	Cylinder block - v8 carb	251 - 252
Carburettor - 2.5 petrol	47	Chock roadwheel	1042	Cover lock-black	930	Cylinder block - 2.5 diesel	72 - 74
Carburettor adaptors - v8 carb	276	Choke cable	491	Cover rear quarter panel	933	Cylinder block - 2.5 diesel turbo	124 - 126
Carburettor fixings - 2.5 petrol	51	Cigar lighter, dash harness	713	Cover rear quarter panel	1070	Cylinder block - 2.5 petrol	22 - 23
Carpet dash centre	46	Clack and oil gauges	726	Cover spare wheel	783	Cylinder block - 300tdi	171
Carpet dash centre	924	Closer inner wing	784	Cover suspension	749	Cylinder head - v8 carb	213
Carpet front floor lh	944	Clutch housing - 1l77/1l77s	304	Cover tailboard hinge	953	Cylinder head - 2.5 diesel	265 - 266
Carpet front floor rh	943	Clutch master cylinder and pipes	479 - 480	Cover toe panel	762	Cylinder head - 2.5 diesel	91 - 92
Carpet heelboard	943	Clutch pedal	475 - 477	Cover transfer case	755	Cylinder head - 2.5 petrol	140 - 141
Carpet intermediate floor	950	Clutch release - 1l85	347	Cover tunnel	722	Cylinder head - 2.5 petrol	37 - 38
Carpet rear floor	951	Clutch release mechanism - tdi	330	Cowl	604	Cylinder head - 300tdi	184 - 185
Carpet seatbase front rh	946	Clutch release mechanism - v8	331	Cowl fan-engine	603	Cylinder wheel rh	225 - 226
Carpet seatbase top	948	Clutch release mechanism - v8 - l	303	Cowl fan-radiator	832		509
Carpet toe panel	950	Clutch release mechanism - 4cyl - l	302	Cowl fuel filler	824		
Carpet tunnel	943	Clutch release mechanism - 4cyl p	329	Cowl side fuel filler	253		
Carpets - front floor	943 - 945	Coil ignition	59	Crankshaft - v8 carb	76		
Carpets - intermediate floor	950	Column steering	447	Crankshaft - 2.5 diesel turbo	128		
Carpets - rear floor	951	Column top support	450	Crankshaft - 2.5 petrol	25		
Carpets - seatbase	946 - 949	Compressor fixings - v8 carb	286	Crankshaft - 2.5 petrol	174		
Carrier	515	Compressor fixings - 2.5 diesel	109	Crankshaft - 300tdi	215		
Carrier spare wheel	515	Compressor fixings - 2.5 petrol	158	Cross brace rh	773		
Case differential	392	Compressor fixings - 200 tdi	56	Crossmember	830		
Case differential	410	Condenser	203	Crossmember	837		
Case differential	412	Condenser - rh/rhs	636	Crossmember body	850		
Casing rear end door-black	426	Connector	636	Crossmember body mounting	830		
Catch bonnet	920	Connector	504	Crossmember detachable	846		
Catch overcentre	773	Constant velocity joint	505	Crossrod eye end-rhs	746		
Catch overcentre	760	Control assembly	414	Crownwheel and pinion	847		
Catch tank	762	Control heater	660	Crownwheel and pinion	745		
Catch tank	573	Control heater	627	Cubby box - from vin 456100	462		
Catch tank	575	Control ventilator	663	Cubby box - from vin 456100	410		
Centre - county - type a	579	Cooler and frame - v8 1l77 gearbox	752		412		
	965 - 966		612		917		





D - Continued

Diff case	412	Electronic unit egr	718	Eyebrow black	874	Flywheel & clutch - v8 carb	299
Diff case	426	Engine complete - v8 carb	248	Eyebrow th	784	Flywheel & clutch - 2.5 diesel	118 - 119
Differential	426	Engine complete - 2.5 diesel	69			Flywheel & clutch - 2.5 diesel tu	165 - 166
Differential - 185	385	Engine complete - 2.5 diesel turb	121			Flywheel & clutch - 2.5 petrol	66
Differential - 4cyl/177s	365	Engine complete - 2.5 petrol	19			Flywheel & clutch - 200 tdi	209
Differential assembly	406	Engine complete - 200 tdi	168			Flywheel & clutch - 300 tdi	245
Dim dip unit	716	Engine harness - diesel	703			Folding step - rear end door	878 - 879
Dim dip unit, glow plug timer	706	Engine harness - diesel turbo and	704			Folding step - side doors - not g	989 - 992
Diode	507	Engine harness - v8	700			Forward facing - individual type	981 - 988
Disc brake	510	Engine harness - 2.5 petrol	705			Frame assembly sunroof	872
Distributor - v8 carb	288	Engine harness - 300tdi	28			Frame hood	903
Distributor - 2.5 petrol	58	Engine mountings - 2.5 petrol	177			Frame mounting	611
Door lh	788	Engine mountings - 200 tdi	250			Frame side th	795
Door lh	803	Engine short - v8 carb	71			Frame side th	795
Door pull	806	Engine short - 2.5 diesel	123			Fresh air duct - lhs	658
Door pull	796	Engine short - 2.5 diesel turbo	21			Fresh air duct - rhs	587 - 589
Door rear end th	792	Engine short - 2.5 petrol	170			Front - diesel turbo	591
Door rear side th	788	Engine short - 200 tdi	249			Front - tdi	583 - 584
Door th	791	Engine stripped - v8 carb	70			Front - v8	581 - 582
Door seal front th	581	Engine stripped - 2.5 diesel	122			Front - 4 cyl petrol & nat asp di	402 - 403
Downpipe	587	Engine stripped - 2.5 diesel turb	20			Front axle assembly	404 - 405
Downpipe	591	Engine stripped - 2.5 petrol	169			Front axle case	493 - 494
Downpipe	583	Engine stripped - 200 tdi	211			Front brake pipes	499 - 501
Downpipe lh	900 - 901	Engine stripped - 300 tdi	577			Front brake pipes lhd	496
Drain channels - full length hood	262 - 263	Evap loss - regular and station w	574			Front brake pipes lhd	498
Drive belts - v8 carb	414 - 416	Evap loss - station wagon - singl	575			Front brake pipes lhd	495
Drive shafts	967 - 969	Evap loss - station wagon - singl	579			Front brake pipes rhd	497
Driver - county - type b - note(1	420	Evap loss single fuel tank - dele	570			Front brake pipes rhd	507 - 508
Driving member	427	Evaporative loss - 4 cylinder pe	578			Front brakes	747
Driving member	451	Evaporative loss - hcpu	576			Front bumper & bumperettes	350
Drop arm-rhs	455	Evaporative loss - hcpu - single	572			Front cover - 185	80 - 81
Drop arm-rhs	509	Evaporative loss - v8 petrol	573			Front cover - v8 carb	80 - 81
Drum brake	553	Evaporative loss - hcpu	640			Front cover - 2.5 diesel	132 - 133
Duct air	555	Evaporator	644			Front cover - 2.5 diesel turbo	29 - 30
Duct air	569	Evaporator	637			Front cover - 2.5 petrol	178
Duct air	661	Evaporator assembly	637			Front cover - 200 tdi	219 - 220
Duct air	554	Evaporator assembly - rhs	234			Front cover - 300tdi	406 - 413
Duct air inlet	660	Exhaust gas recirculating - 300td	273			Front door	802 - 803
Duct assembly	654	Exhaust manifold - v8 carb	273			Front door - glass & window regul	789 - 790
Duct heater lh	625	Expansion manifold	619 - 622			Front door - hinges and door chec	807 - 809
		Expansion tank	1073			Front door - lock mechanism	791
		Extension bracket th	307			Front door - seals	788
		Extension case - 177 - up to suif	309			Front door clinched assembly	388
		Extension case - 177/177s - con	308			Front flange - 185	366
		Extension case - 177/177s from	336 - 337			Front flange - 4cyl/177s	952
		Extension case - manual r380	1069			Front floor covers - rubber	
		Extinguisher fire with	522 - 523				
		Extra fuel tank - pick up	524 - 525				
		Extra fuel tank - station wagon					

F





DEFENDER 110 1987 onwards

ALPHABETICAL INDEX

Pump windshield wash	736	Rear side door	919	Rod panhard	435	Shaft steering	448
Pump windshield wash	738	Rear side door - frame and seals	795	Roil over bar - high capacity pic	909	Shock absorber & road spring	442
		Rear side door - glass & regulator	804	Roil - hard top and station wagon	867 - 869	Shock absorbers & road spring	436
		Rear side door - hinges and door	793 - 794	Roil - truck cab	870 - 871	Short engine - 300ltd	212
		Rear side door - lock mechanism	810	Roil assembly	870	Shoulder anchorage rh	1034
		Rear side door - lock mechanism	810 - 812	Roil trim - defender 130 - 1991 m	936	Shoulder anchorage rh	449
		Rear side door - clinched assembly	792	Rope cleat	831	Shroud-upper	449
		Rear wash wipe	739	Rotating towing pintle	1057	Side cover - 2.5 diesel	75
Radiator	596	Rear wash wipe and heated rear wi	710			Side cover - 2.5 diesel turbo	127
Radiator & intercooler hoses - 20	598	Receiver drier	636			Side cover - 200 ldi	173
Radiator	607	Recovery ring and lifting handle	749			Side covers - 2.5 petrol	24
Radiator batle plate	772	Reflector	676			Side repeater lamps	673
Radiator grille	769 - 770	Reflector, fog lamp, reverse lam	676 - 677			Silencer	593
Radiator hoses	605 - 606	Regulator rear th	806			Silencer exhaust	585
Radiator hoses - v8	608 - 609	Regulator rh	697			Silencer exhaust	590
Radiator, intercooler & oil coole	599 - 602	Relay	717			Silencer exhaust	592
Radio cassette	727	Relay dash harness	714			Silencer exhaust	592
Radio cassette & loudspeakers - 1	727	Remote breathers	429			Sill bracket lh	763
Radio cassette & loudspeakers - u	434	Remote breathers	507			Sill bracket lh	766
Radius arm & links	569	Repair kit calliper	431			Sill bracket rh	763
Raised air cleaner - 200ltd	568	Repair kit cylinder wheel	509			Sill panel front rh	763
Raised air cleaner - 4 cylinder	568	Reservoir	730			Sill panel front rh	766
Raised diesel turbo	590	Reservoir	731			Sill panel rear rh	763
Rear - petrol and nat asp diesel	585	Reservoir	732			Sill panel rear rh	766
Rear - tdi	592	Reservoir	733			Sill panel rear rh	763
Rear - 200ltd	593	Reservoir	734			Sill panel rear rh	763
Rear axle assembly	423 - 424	Reservoir	736			Sill panel rear rh	763
Rear body lower - high capacity p	844 - 854	Reservoir	737			Sill panel rear rh	763
Rear body lower - non station wag	828 - 835	Reservoir	737			Sill panels - except station wago	763 - 765
Rear body lower - station wagon	836 - 843	Reservoir	464			Sill panels - station wagon	766 - 768
Rear body upper - hard top	855 - 859	Reservoir windshield wash	737			Sill seal	791
Rear body upper - station wagon	860 - 866	Resonator	559			Socket trailer	1058
Rear body upper - station wagon	502 - 506	Retainer spare wheel	891			Socket trailer	1060
Rear brake pipes	748	Retention kit	507			Solenoid	533
Rear bumperettes and lifting ring	510	Rh/h - county - 1988my onwards -	975			Spare wheel carrier - bonnet	891
Rear disc brakes	509	Ring recovery	749			Spare wheel carrier - rear end do	892
Rear drum brakes	796 - 798	Ring recovery/flushing	749			Spare wheel cover	1070 - 1072
Rear end door	920 - 921	Road wheel	433			Spare wheel stowage interior	1044 - 1046
Rear end door - locking mechanism	813 - 814	Rocker cover - v8 card	268			Speaker assembly	727
Rear end door check mechanism	799 - 800	Rocker cover - 2.5 diesel	95			Speedo housing - 1177/1177s	383 - 384
Rear eyebrows	874 - 875	Rocker cover - 2.5 diesel	144			Speedo housing - 4cyl/1177s	363 - 364
Rear flange - 1185	391	Rocker cover - 200 tdi	41			Speedometer mph	724
Rear flange - 4cyl/1177s	369	Rocker cover - 300ltd	188			Split charge facility - from vin	708
Rear floor cover - non carpet	954	Rocker shaft - 2.5 diesel	229			Split charge facility - up to vin	706 - 707
Rear floor cover - facing seats	1034	Rocker shaft - 2.5 diesel	142			Spring front driver	436
Rear forward facing seats - cent	1022 - 1023	Rocker shaft - 200 ldi	186			Spring rear driver	442
Rear forward facing seats - outer	1025	Rocker shaft - 300ltd	227			Spring rear passenger	442
Rear inward facing seats	1036	Rockers - 2.5 petrol	39			Squab cloth	965
Rear inward facing seats	674 - 675	Rod assembly - 1185	395			Squab cloth	973
Rear lamps - stop/tail, indicator	876	Rod assembly - 4cyl/1177s	375				
Rear lamps protection	531						
Rear pipes - single tank - petrol	400						
Rear propshaft	401						





DEFENDER 110 1987 onwards

15

ALPHABETICAL INDEX

S - Continued

Squab cloth	978	Support wing	781	Tap fuel	545	Top capping rh	842
Squab cloth	982	Supports and slides - basic seats	957	Tape-front door rh	885	Top link, fulcrum, ball joint	439 - 440
Squab driver seat	985	Suppressor	705	Tape-rear side door rh	885	Torsion bar rh	790
Squab lock - forward facing indiv	995 - 996	Switch brake light	478	Tape body strobe lh	884	Torsion bar rh	793
Squab rh cloth	963	Switch choke	481	Tape bodyside lh	884	Towing ball and bracket	1050 - 1051
Squab rh cloth	975	Switch fuel change over	545	Tape front 'defender'	882	Towing ball and bracket - h.c.p.u	1052 - 1053
Squab rh cloth	967	Switch fuel changeover	712	Tape front door lh	884	Towing hook	1055
Squab rh cloth	970	Switch handbrake	514	Tape front door rh	887	Towing jaw	1054
Squab vinyl	965	Switch hazard warning	712	Tape rear 'defender 110'	882	Towing pintle	1056
Starter - 2.5 petrol	65	Switch high pressure	636	Tape rear quarter rh	885	Track rod assembly	462
Starter motor - v8 carb	297 - 298	Switch hrv	714	Tape rear side door lh	884	Trailer socket	462
Starter motor - 2.5 diesel	116 - 117	Switch ignition	711	Tape rear side door rh	884	Transfer assembly - lt85	1053 - 1060
Starter motor - 2.5 diesel turbo	163 - 164	Switch illuminated	665	Tape rear side door rh	887	Transfer assembly - 4cyl lt77s	361
Starter motor - 200 tdi	207 - 208	Switch indicator horn dip	679	Tapps - 2.5 diesel	544	Transmission brake - l85	397
Starter motor - 300tdi	244	Switch interior light	712	Terminal	707	Transmission brake - 4cyl/lt77s	378
Station wagon - bodyside - from n	922 - 923	Switch interior light	712	Terminal post	707	Transmission brake - 4cyl/lt77s	377
Station wagon - roof - from nole	931 - 932	Switch master light	183	Terminal post	707	Trim 'a' post rh	928
Station wagon - roof and side	928	Switch oil pressure	712	Thermostat	641	Trim 'a' post rh	934
Station wagon - roof and side - u	929	Switch rear fog lamp	677	Thermostat & housing - v8 carb	271	Trim 'a' post rh	936
Station wagon - up to vin 314267	930	Switch reverse lamp	713	Thermostat housing - 2.5 diesel	98	Trim 'b' post lh	933
Stay centre	765	Switch rvw	641	Thermostat housing - 2.5 diesel t	146	Trim 'b' post rh	934
Stay front	765	Switch vacuum	645	Thermostat housing - 2.5 petrol	43	Trim 'bc' post	929
Stay rh	783	Switch volt sensitive	708	Thermostat housing - 200 tdi	191	Trim 'd' post rh	922
Stay rh	830	Switch wash wipe	712	Throttle linkage - v8 carb	281	Trim a post rh	932
Stay rh	839	Switches	711 - 712	Tie bar-rhs	452	Trim bc post	922
Steering box	451	Swivel pin housing	417 - 419	Tie tube	907	Trim cantrail rh	928
Steering box-rhs	455	Swivel pin lower	417	Tie tube front	903	Trim front pillar	922
Steering column shroud	449	Swivel pin upper	417	Tie tube rear	905	Trim panel bodyside rh	922
Steering track rods	462 - 463	Tail pipe	592	Timer glow plug	903	Trim panel rear end rh	923
Steering wheel and column	446 - 448	Tail pipe	593	Timing belt - 2.5 diesel	716	Trim rear lower	934
Step assembly rear	880	Tailboard - lower hinged	817	Timing belt - 200 tdi	82	Trim rear pillar rh	936
Step side	877	Tailboard - side hinged	816	Timing belt - 300 tdi	134	Trim rear pillar rh	934
Strirup step - side doors	877	Tailboard assembly	817 - 820	Timing chain - 2.5 petrol	221	Trim rear quarter rh	936
Striker bonnet	775	Tailgate	816	Toe panel gusset bracket	31	Trim ring sunroof	872
Striker lock	809	Tailgate - high capacity pick up	821 - 822	Tool curtain	841	Trim sidelight upper	929
Subframe & side rh	812	Tank expansion	619	Tool curtain - 1991my	1039	Turbo charger - 2.5 diesel turbo	151 - 152
Subframe & side rhs	964	Tank fuel	621	Tool locker	1040	Turbo charger - 200 tdi	196 - 197
Sump - v8 carb	967	Tank fuel	520	Tool stowage - pick up, truck cab	1038	Turbocharger - 300tdi	238
Sump - 2.5 diesel	255	Tank vacuum	522	Tools	1041	Twin tanks-petrol-4 cyl and v8	532
Sump - 2.5 diesel turbo	78	Tap fuel	544	Top capping rh	833		
Sump - 2.5 petrol	130						
Sump - 300tdi	27						
Sump/ladder frame - 200 tdi	217						
Sunroof	176						
Sunvisor rh	872 - 873						
Survivors	937 - 938						

U

Under bonnet fuse box - from ma93
Universal joint





U - Continued

Universal joint 401
 Universal joint 448
 Upper crash pad 911 - 912

V

Vacuum hose 489
 Vacuum hose 490
 Vacuum hose 491
 Vacuum hoses - air conditioning - 648
 Vacuum hoses & reservoir - frsh/h 491
 Vacuum pipes - carburettor - 2.5 491
 Vacuum pump - 2.5 diesel 105
 Vacuum pump - 2.5 diesel turbo 154
 Vacuum pump - 200 tdi 199
 Vacuum pump - 300 tdi 239
 Vacuum tank 492
 Valve air temp control 557
 Valve air temp control 557
 Valve and tappets - 300tdi 228
 Valve check 554
 Valve discharge 636
 Valve dump 625
 Valve eqr 234
 Valve non return 534
 Valve non return 555
 Valve non return 557
 Valve non return 491
 Valve one way 493
 Valve pdwa 493
 Valve pdwa/hcr 572
 Valve pressure/vacuum 649
 Valve water control 652
 Valve water control 653
 Valve water control 654
 Valve water control 655
 Valve water control 267
 Valves & tappets - v8 carb 143
 Valves & tappets - 2.5 diesel tur 40
 Valves & tappets - 2.5 petrol 187
 Valves and tappets - 200 tdi 626
 Valve assembly - rhs

W

Water pump - non viscous - v8 car 258
 Water pump - viscous - v8 carb 259
 Water pump - 2.5 diesel 83 - 84
 Water pump - 2.5 diesel - noise r 86
 Water pump - 2.5 diesel turbo air 136
 Water pump - 2.5 diesel turbo non 135
 Water pump - 2.5 diesel with 65 a 85
 Water pump - 2.5 petrol - air con 33
 Water pump - 2.5 petrol - basic 32
 Water pump - 200 tdi 180
 Water pump - 300tdi 222
 Water pump - 300tdi 646
 Wheel blower motor 729
 Wheel box 433
 Wheel road 446
 Wheel steering 1042
 Wheel steering 446
 Wheel steering 1064
 Wheelguard fh 1065
 Wheelguard fh 1066
 Wheelguards - hcgu 1064
 Wheelguards - standard pick up - 1065
 Wheelguards - standard 825
 Window assembly 858
 Window assembly fh 863
 Window assembly fh 863
 Window assembly fh 786
 Windscreen 787
 Windscreen 786
 Windscreen frame 731
 Windscreen wash - air con 731
 Windscreen wash - non air con 730
 Windscreen 729
 Windscreen wipers 777
 Wing front fh
 5 speed - manual 328





DEFENDER 110 1987 onwards

17

ENGINE

MASTER INDEX

INTRODUCTION PAGES ALPHABETICAL INDEX

ENGINE
ENGINE
ENGINE
ENGINE
ENGINE
ENGINE
GEARBOX
GEARBOX
GEARBOX
TRANSFER BOX
TRANSFER BOX
AXLES AND SUSPENSION
STEERING
VEHICLE AND ENGINE CONTROLS
BRAKES
FUEL SYSTEM AND AIR CLEANER
EXHAUST SYSTEM
COOLING/HEATING
COOLING/HEATING
COOLING/HEATING
COOLING/HEATING
COOLING/HEATING
BODY ELECTRICAL
BODY AND CHASSIS
INTERIOR TRIM
SEATS
STORAGE
ACCESSORIES - PAINTS
NUMERICAL INDEX

PAGES
1 - 7
8 - 16
17 - 66
67 - 119
120 - 166
167 - 209
210 - 245
246 - 299
300 - 326
327 - 344
345 - 359
360 - 378
379 - 397
398 - 444
445 - 471
472 - 486
487 - 517
518 - 579
580 - 593
594 - 637
638 - 641
642 - 649
650 - 655
656 - 666
667 - 740
741 - 909
910 - 955
956 - 1036
1037 - 1046
1047 - 1074
1076 - 1151

GROUP B

ENGINE

ENGINE
ENGINE COMPLETE - 2.5 PETROL
ENGINE STRIPPED - 2.5 PETROL
ENGINE SHORT - 2.5 PETROL
CYLINDER BLOCK - 2.5 PETROL
SIDE COVERS - 2.5 PETROL
CRANKSHAFT - 2.5 PETROL
PISTON AND RINGS - 2.5 PETROL
SUMP - 2.5 PETROL
ENGINE MOUNTINGS - 2.5 PETROL
FRONT COVER - 2.5 PETROL
TIMING CHAIN - 2.5 PETROL
WATER PUMP - 2.5 PETROL - BASIC
WATER PUMP - 2.5 PETROL - AIR CONDITIONING
OIL PUMP - 2.5 PETROL
OIL FILTER - 2.5 PETROL
OIL FILTER WITH OIL COOLER - 2.5 PETROL
CYLINDER HEAD - 2.5 PETROL
ROCKERS - 2.5 PETROL
VALVES & TAPPETS - 2.5 PETROL
ROCKER COVER - 2.5 PETROL
CAMSHAFT - 2.5 PETROL
THERMOSTAT HOUSING - 2.5 PETROL
MANIFOLDS - 2.5 PETROL
CARBURETTORS - 2.5 PETROL
CARBURETTER - 2.5 PETROL
HAND THROTTLE - 2.5 PETROL
VACUUM PIPES - CARBURETTER - 2.5 PETROL
FUEL PIPES - 2.5 PETROL
CARBURETTER FIXINGS - 2.5 PETROL
GASKET KITS - 2.5 PETROL
POWER STEERING PUMP - 2.5 PETROL
AIRCON COMPRESSOR - 2.5 PETROL
COMPRESSOR FIXINGS - 2.5 PETROL
AIRCON IDLER PULLEY - 2.5 PETROL
DISTRIBUTOR - 2.5 PETROL
IGNITION COIL - 2.5 PETROL
ALTERNATOR - 2.5 PETROL
ALTERNATOR - 2.5 PETROL - AIR CON

19
20
21
22 - 23
24
25
26
27
28
29 - 30
31
32
33
34
35
36
37 - 38
39
40
41
42
43
44 - 45
46
47
48
49
50
51
52
53
54 - 55
56
57
58
59
60 - 61
62 - 63





DEFENDER 110 1987 onwards

18

ENGINE

ALTERNATOR FIXINGS - 2.5 PETROL
STARTER - 2.5 PETROL
FLYWHEEL & CLUTCH - 2.5 PETROL

64
65
66

80
79
78
77
76
75
74
73
72
71
70
69
68
67
66
65
64
63
62
61
60
59
58
57
56
55
54
53
52
51
50
49
48
47
46
45
44
43
42
41
40
39
38
37
36
35
34
33
32
31
30
29
28
27
26
25
24
23
22
21
20
19
18
17
16
15
14
13
12
11
10
9
8
7
6
5
4
3
2
1

1. 1987 onwards
2. 1987 onwards
3. 1987 onwards
4. 1987 onwards
5. 1987 onwards
6. 1987 onwards
7. 1987 onwards
8. 1987 onwards
9. 1987 onwards
10. 1987 onwards
11. 1987 onwards
12. 1987 onwards
13. 1987 onwards
14. 1987 onwards
15. 1987 onwards
16. 1987 onwards
17. 1987 onwards
18. 1987 onwards
19. 1987 onwards
20. 1987 onwards
21. 1987 onwards
22. 1987 onwards
23. 1987 onwards
24. 1987 onwards
25. 1987 onwards
26. 1987 onwards
27. 1987 onwards
28. 1987 onwards
29. 1987 onwards
30. 1987 onwards
31. 1987 onwards
32. 1987 onwards
33. 1987 onwards
34. 1987 onwards
35. 1987 onwards
36. 1987 onwards
37. 1987 onwards
38. 1987 onwards
39. 1987 onwards
40. 1987 onwards
41. 1987 onwards
42. 1987 onwards
43. 1987 onwards
44. 1987 onwards
45. 1987 onwards
46. 1987 onwards
47. 1987 onwards
48. 1987 onwards
49. 1987 onwards
50. 1987 onwards
51. 1987 onwards
52. 1987 onwards
53. 1987 onwards
54. 1987 onwards
55. 1987 onwards
56. 1987 onwards
57. 1987 onwards
58. 1987 onwards
59. 1987 onwards
60. 1987 onwards
61. 1987 onwards
62. 1987 onwards
63. 1987 onwards
64. 1987 onwards
65. 1987 onwards
66. 1987 onwards

