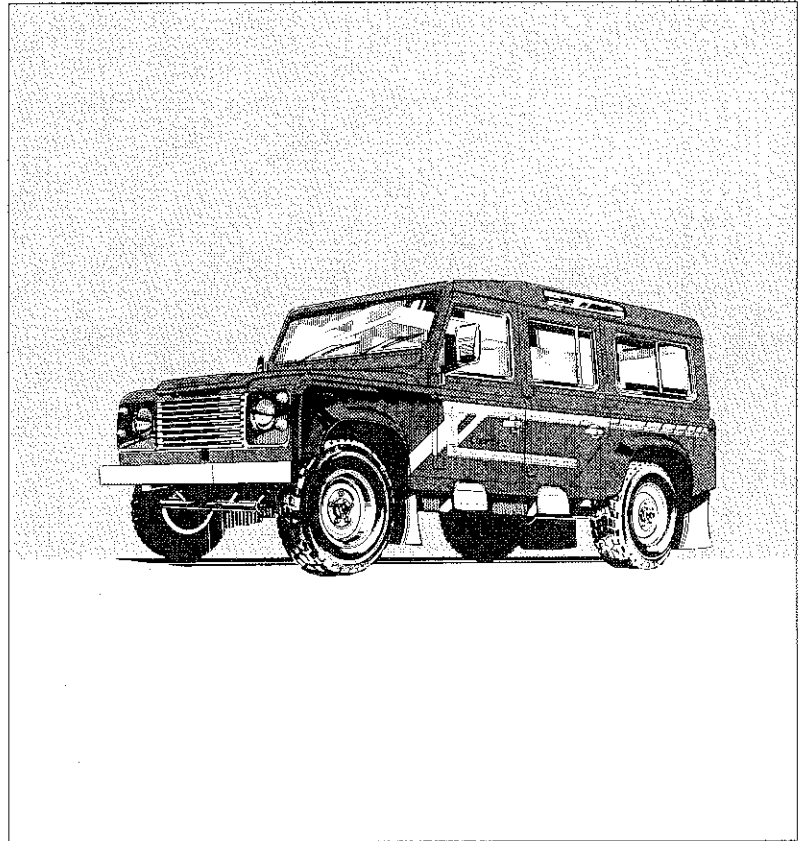


**Parts Catalogue**  
**Land Rover One Ten**

**1987 Model Year**



PART NO RTC9932CE

AUGUST 1994.



**GENUINE  
PARTS**



DEFENDER 110 1987 onwards

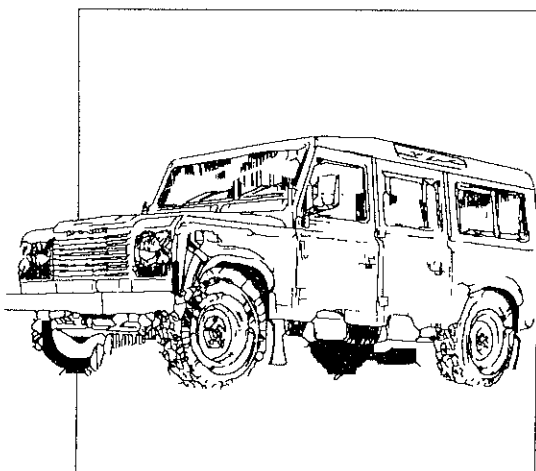
1

INTRODUCTION PAGES

## PARTS CATALOGUE

Part No. RTC9932 CE

Aug 1994



Whilst every effort is made to ensure the accuracy of the particulars contained in this Catalogue, modifications and vehicle specification changes may affect the information specified. No responsibility is accepted for the incorrect supply of parts or any other consequence that may arise as a result of information in this Catalogue not being in accord with modifications or vehicle specification changes which are subsequent to the date of this catalogue. Also no responsibility is accepted for the incorrect supply of parts or any other consequence that may arise as a result of any misinterpretation of the information specified in this Catalogue.

© LAND ROVER UK LTD 1994

All rights reserved. No part of this publication may be reproduced, stored in a retrieval system or transmitted, in any form, electronic, mechanical, photocopying, recording or other means without prior written permission from Land Rover Parts Ltd.

## DEFENDER 110



SERIAL NUMBER IDENTIFICATIONENGINES-Diesel

12J00001C 2.5 N.A

19J00001C 2.5 Turbo

11L00001 200 TDI 1991 MY

16L00001A 300 TDI 1995 MY

ENGINES-Petrol

20G00001 3.5 Litre V8 8.13.1 CR NON DETOXED

24G00001 3.5 Litre V8 8.13.1 CR DETOXED

17H00001C 2.5

GEARBOX-LT85 Manual Type

20C00001 5 Speed V8 Carb

22C00001 5 Speed V8 Carb

GEARBOX-LT77 Manual Type

50A00001 5 Speed 4 Cylinder

GEARBOX-LT77S Manual Type

56A00001 5 Speed 200 TDI 1991 MY

60A00001 5 Speed V8

61A00001 5 Speed V8 with Oil Cooler

TRANSFER GEARBOX-LT230T Type

20D00001 4 Cylinder Petrol/Diesel

22D00001 4 Cylinder Diesel Turbo

25D00001 V8 Petrol

TRANSFER GEARBOX-LT230T Type used onLT77S GEARBOX

32D00001 4 Cylinder Petrol/Diesel and V8

GEARBOX-R380 Manual Type

50A00001J 300 TDI

60A00001J V8

61A00001J V8 COOLED

50A00001J 4Cyl (Not TDI)





# AXLE SERIAL NUMBERS

## FRONT

20L00001A RHS

21L00001A LHS

63L00001A RHS

64L00001A LHS

## REAR

21S0001A

38S00001A HEAVY DUTY

39S00001A STANDARD





VIN CODE	ENGINE	GEARBOX	STEERING
HOOD/CAB/HARDTOP			
SALLDHAD7**	2.5 PETROL	5 SPEED	RH STG
SALLDHAD8**	2.5 PETROL	5 SPEED	LH STG
SALLDHAC7**	2.5 DIESEL	5 SPEED	RH STG
SALLDHAB7**	2.5 DIESEL TURBO	5 SPEED	RH STG
SALLDHAC8**	2.5 DIESEL	5 SPEED	LH STG
SALLDHAB8**	2.5 DIESEL TURBO	5 SPEED	LH STG
SALLDHAV7**	3.5 PETROL	5 SPEED	RH STG
SALLDHAV8**	3.5 PETROL	5 SPEED	LH STG

## STATION WAGON

SALLDHMD7**	2.5 PETROL	5 SPEED	RH STG
SALLDHMD8**	2.5 PETROL	5 SPEED	LH STG
SALLDHMC7**	2.5 DIESEL	5 SPEED	RH STG
SALLDHMB7**	2.5 DIESEL TURBO	5 SPEED	RH STG
SALLDHMC8**	2.5 DIESEL	5 SPEED	LH STG
SALLDHMB8**	2.5 DIESEL TURBO	5 SPEED	LH STG
SALLDHMV7**	3.5 PETROL	5 SPEED	RH STG
SALLDHMV8**	3.5 PETROL	5 SPEED	LH STG

## HIGH CAPACITY PICK-UP

SALLDHH7**	2.5 PETROL	5 SPEED	RH STG
SALLDHH8**	2.5 PETROL	5 SPEED	LH STG
SALLDHC7**	2.5 DIESEL	5 SPEED	RH STG
SALLDHB7**	2.5 DIESEL TURBO	5 SPEED	RH STG
SALLDHC8**	2.5 DIESEL	5 SPEED	LH STG
SALLDHB8**	2.5 DIESEL TURBO	5 SPEED	LH STG
SALLDHHV7**	3.5 PETROL	5 SPEED	RH STG
SALLDHHV8**	3.5 PETROL	5 SPEED	LH STG

\*\* BA - 87 MODEL YEAR

\*\* EA - 88 MODEL YEAR

\*\* FA - 89 MODEL YEAR

\*\* GA - 90 MODEL YEAR



DEFENDER 110 VEHICLE IDENTIFICATION NUMBERING  
FROM INTRODUCTION OF 1991 MODEL YEAR

VIN CODE	ENGINE	GEARBOX	STEERING
REGULAR			
SALLDHAD7**	2.5 PETROL	5 SPEED	RH STG
SALLDHAD8**	2.5 PETROL	5 SPEED	LH STG
SALLDHAC7**	2.5 DIESEL	5 SPEED	RH STG
SALLDHAC8**	2.5 DIESEL	5 SPEED	LH STG
SALLDHAF7**	200 TDI	5 SPEED	RH STG
SALLDHAF8**	200 TDI	5 SPEED	LH STG
SALLDHAV7**	3.5 PETROL	5 SPEED	RH STG
SALLDHAV8**	3.5 PETROL	5 SPEED	LH STG

## STATION WAGON

SALLDHMD7**	2.5 PETROL	5 SPEED	RH STG
SALLDHMD8**	2.5 PETROL	5 SPEED	LH STG
SALLDHMC7**	2.5 DIESEL	5 SPEED	RH STG
SALLDHMC8**	2.5 DIESEL	5 SPEED	LH STG
SALLDHMF7**	200 TDI	5 SPEED	RH STG
SALLDHMF8**	200 TDI	5 SPEED	LH STG
SALLDHMV7**	3.5 PETROL	5 SPEED	RH STG
SALLDHMV8**	3.5 PETROL	5 SPEED	LH STG

## HIGH CAPACITY PICK-UP

SALLDHH7**	2.5 PETROL	5 SPEED	RH STG
SALLDHH8**	2.5 PETROL	5 SPEED	LH STG
SALLDHH7**	2.5 DIESEL	5 SPEED	RH STG
SALLDHH8**	2.5 DIESEL	5 SPEED	LH STG
SALLDHH7**	200 TDI	5 SPEED	RH STG
SALLDHH8**	200 TDI	5 SPEED	LH STG
SALLDHH7**	3.5 PETROL	5 SPEED	RH STG
SALLDHH8**	3.5 PETROL	5 SPEED	LH STG

DEFENDER 130 VEHICLE IDENTIFICATION NUMBERING  
FROM INTRODUCTION OF 1991 MODEL YEAR

VIN CODE	ENGINE	GEARBOX	STEERING
REGULAR			
SALLDKAF7**	200 TDI	5 SPEED	RH STG
SALLDKAF8**	200 TDI	5 SPEED	LH STG
SALLDKAV7**	3.5 PETROL	5 SPEED	RH STG
SALLDKAV8**	3.5 PETROL	5 SPEED	LH STG

## HIGH CAPACITY PICK-UP

SALLDKHF7**	200 TDI	5 SPEED	RH STG
SALLDKHF8**	200 TDI	5 SPEED	LH STG
SALLDKHV7**	3.5 PETROL	5 SPEED	RH STG
SALLDKHV8**	3.5 PETROL	5 SPEED	LH STG

\*\* HA-91 MODEL YEAR

\*\* JA-92 MODEL YEAR

\*\* KA-93 MODEL YEAR

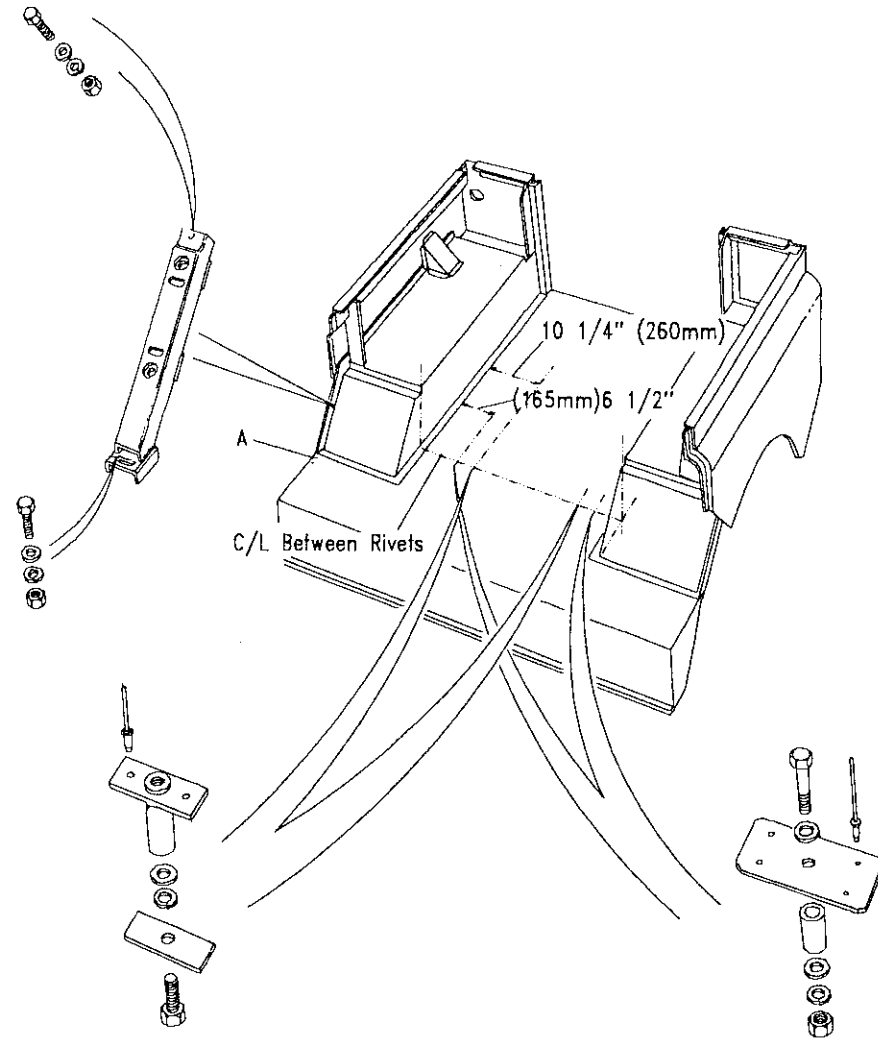
\*\* LA-94 MODEL YEAR

\*\* MA-95 MODEL YEAR



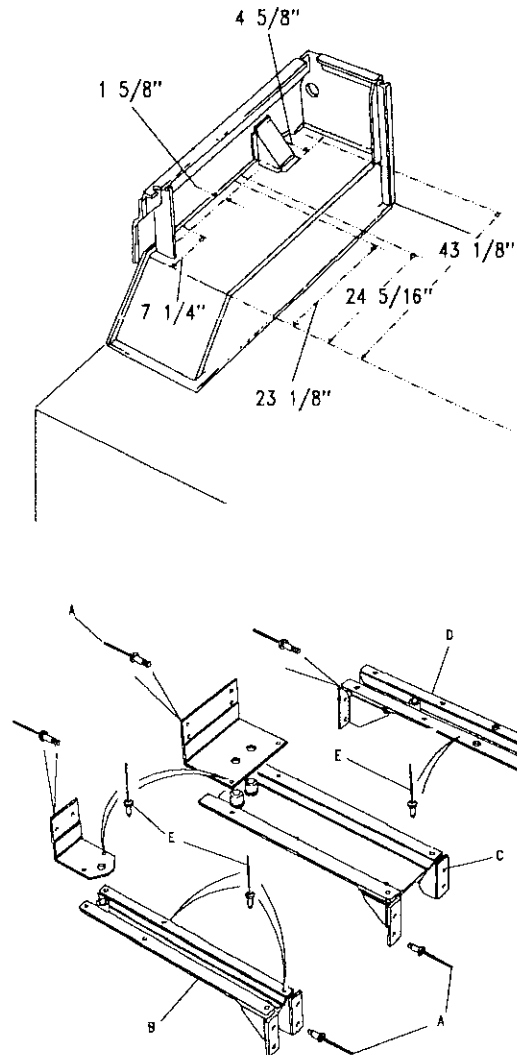
FITTING INSTRUCTION FOR INTERMEDIATE SEAT BELT MOUNTINGS LOWER – LR 110

- 1.0 Jack up rear of vehicle, support on stands, remove road wheels.
- 2.0 Fold intermediate seats forward (or remove) and remove rear load space mat or carpet.
- 3.0 Outer Lower Mounting:  
Remove existing bolt (A), floor to bodyframe and ensure a full 5/16" clearance.
- 3.1 Fit bracket (347844) under wheelarch and temporarily secure at lower end using bolt (SH605081L) and nut (SH605041L). Ensure that the slots in the bracket are located over the outer pair of pop rivets.
- 3.2 Drill upper fixing hole 5/16" from under wheelarch and fit bolt (255227) to locate bracket.
- 3.3 Mark position of lower seat belt fixing point on the underside of the wheelarch. Remove bracket and drill seat belt fixing with 1/4" pilot hole and then open up to 5/8".
- 3.4 Refit bracket using bolt (SH605081L) 1 off at lower fixing and bolt (255227) 1 off at the upper fixing. Secure using plain washer (3830L), spring washer (WM600051L) and nut (NH605041L).
- 4.0 Floor Mounting.  
Locate step in wheelbox and draw a vertical line down to floor. Find mid point between rivets in floor and draw a line across the floor.
- 4.1 Measure 6.1/2" and 10.1/4" from either side of wheelarch and mark position. Drill 1/4" pilot holes through floor and crossmember.
- 4.2 On outer holes open up to 5/8" through floor skin only, open pilot holes to 5/16" in crossmember. On inner holes open up to 5/8" through floor and crossmember.
- 4.3 In outer holes fit spacers, screws, washers and nuts and tighten. Place anchor point tube in inner holes, drill holes 3/16" for rivets and rivet to floor.
- 4.4 From under vehicle fit screws, washer and tabwashers. Tighten screw and bend tabwasher over screws and crossmember.
- 5.0 Replace rear mat or capel and replace seats.
- 6.0 Replace road wheels and remove vehicle from stands.



FITTING INSTRUCTIONS FOR REAR INWARD FACING SEAT BELT MOULDINGS LR110

- 1.0 Remove inward facing seats.
- 2.0 Jack up vehicles, support on stands and remove rear road wheels.
- 3.0 Remove rear light covers and the rear tool retaining strap from wheelarch.
- 4.0 Check stiffeners and open holes for monobolts ref A on illustration to 17/64".
- 5.0 Mark position for stiffeners as follows:  
 Front Stiffener (B)  
 From step in wheelarch box measure 7 1/4", draw a line from wheelarch inner edge to bodyside. Measure 1.5/8" from bodyside and drill 1/4" pilot hole.
- 5.1 Centre Stiffener (C)  
 From step in wheelarch box measure 23.1/8" and 24.5/16", draw a line from wheelarch inner edge to bodyside. Measure 1.5/8" from bodyside and drill 1/4" pilot holes.
- 5.2 Rear Stiffener (D)  
 From step in wheelarch box measure 43.1/8" draw a line from wheelarch inner edge to bodyside. Measure 4.5/8" from bodyside and drill 1/4" pilot hole.
- 5.3 Open up pilot holes to 5/8" and deburr.
- 6.0 Front and Centre Stiffener.  
 From under vehicle position stiffeners to wheelarch box, locate angle bracket and use 7/16" UNF bolt and washer to position stiffeners, tighten bolt, drill 3/16" holes for rivets ref E, deburr and rivet, drill holes 17/64" for monobolts Ref A, deburr and rivet up.
- 6.1 Rear Stiffener.  
 From under wheelarch at rear of vehicle remove rubber protector for rear lamp wiring, trim 1/4" to 1/2" from top of protector to allow stiffener to fit body. Remove excess sealer as required and refit rubber protector. Position stiffener to wheelarch box, use 7/16" UNF bolt and washer to position stiffener, drill 3/16" holes for rivets, deburr and rivet, drill holes 17/64" for monobolts deburr and rivet up.
- 7.0 Remove 7/16" bolts and repeat operations for opposite wheelarch.
- 8.0 Refit light covers and re-position tool retaining strap to forward edge of centre angle bracket.  
 Fit seatbelts with long end of belt in centre fixings and tighten.
- 9.0 Refit seats - Road wheels and remove vehicle from stands.





**A**

Accelerator cable	474 - 475	Alternator - 2.5 diesel turbo	160
Accelerator pedal	473	Alternator - 2.5 diesel turbo - a	161
Adaptor assembly	554	Alternator - 2.5 petrol	60 - 61
Adaptor assembly bypass	615	Alternator - 2.5 petrol - air con	62 - 63
Additional floor covers - upto vi	955	Alternator - 200 tdi	205
Adjuster kit brake	509	Alternator - 300tdi	243
Aerial	727	Alternator fixings - v8 carb	296
Air cleaner - diesel naturally as	559 - 560	Alternator fixings - v8 carb - no	292 - 293
Air cleaner - diesel turbo	561 - 562	Alternator fixings - v8 carb - wi	294 - 295
Air cleaner - v8 petrol	551 - 552	Alternator fixings - 2.5 diesel	115
Air cleaner - 200tdi	563	Alternator fixings - 2.5 petrol	64
Air cleaner - 300tdi	564 - 565	Angle mounting	854
Air cleaner - 4 cylinder petrol	550	Angle mounting rear	829
Air cleaner assembly	550	Angle protection rh	834
Air cleaner assembly	551	Angle protection rh	843
Air cleaner assembly	559	Angle reinforcing	846
Air cleaner assembly	561	Anti-freeze 1 ltr	1067
Air cleaner assembly	563	Anti-roll bar front	437
Air cleaner assembly	568	Anti roll bar	443
Air cleaner assembly	569	Anti roll bar	443
Air conditioning - v8 carb	287	Anti-roll bar	437
Air conditioning compressor - 300	241	Antiluce cotter	834
Air conditioning electrics	697 - 698	Arm mounting rh rhd	435
Air conditioning electrics - rhs	699	Arm radius	434
Air conditioning idlers - 300tdi	242	Arm radius	434
Air duct insulation - lhs	662	Arm wiper	729
Air inlets - v8 carb - detoxe	279	Arm wiper	739
Air inlets - v8 carb - non detoxe	278	Arm wiper and blade	739
Air inlets v8 stromberg carbs non	553	Ash tray	913
Air inlets v8 su carbs non detoxe	554	Axle assembly front-rhs	402
Air intake - diesel turbo & 200td	566	Axle assembly rear	423
Air intake - 300tdi	567	Axle case front	404
Air temperature control	555 - 558	Axle case front	405
Aircon compressor - v8 carb	284 - 285	Axle case rear	425
Aircon compressor - 2.5 diesel	107 - 108	Axle shafts and hubs	427 - 428
Aircon compressor - 2.5 diesel -	156	Axle stub	420
Aircon compressor - 2.5 diesel tu	157		
Aircon compressor - 2.5 petrol	54 - 55		
Aircon compressor - 200 tdi	201 - 202		
Aircon idler pulley - 2.5 diesel	110		
Aircon idler pulley - 2.5 diesel	159		
Aircon idler pulley - 2.5 petrol	57		
Aircon idler pulley - 200 tdi	204		
Alternative remote breathers	430		
Alternator - v8 carb	290 - 291		
Alternator - 2.5 diesel	111 - 112		
Alternator - 2.5 diesel - air con	113		
Alternator - 2.5 diesel- air con	114		

**B**

Backrest	1011
Badge 'v8' lh	884
Badge front wing 'tdi'	887
Badge grille	881
Badge grille	882
Badge grille	882
Badge rear-'turbo'	884
Badge rear 'land rover'	882
Badge rear 'turbo'	885
Baffle	926
Ball joint	439
Ball joint	439

Ball joint	444	Bracket support no 1	746
Ball joint and link assy	443	Bracket support no 2	746
Ball joint assembly	437	Bracket support tailboard	744
Ball joint kit	452	Bracket towing jaw	1050
Ball joint kit	455	Brake fluid	1067
Ball joint kit lh	462	Brake master cylinder & servo - u	488 - 489
Ball joint kit rh	462	Brake master cylinder and servo -	490
Ball towing 50mm	1050	Brake pedal	478
Ball towing 50mm	1053	Brakeshoe axle set	509
Bar protection underride	747	Breathers - v8 carb	280
Bar roll over	909	Bulb	669
Barrel lock and keys	526	Bulb	670
Barrel lock and keys	807	Bulkhead	845
Barrel lock and keys	813	Bump stop	435
Barrel lock and keys	815	Bump stop	438
Barrel lock and keys	815	Bump stop rh	846
Baseplate	615	Bumper front	747
Basic - vinyl	958 - 962	Bumperette front	747
Battery	681 - 682	Bumperette rh	748
Battery cables	683 - 685		
Battery tray	759		
Bell housing - lt85	348		
Bell housing - manual r380	334		
Blade wiper	729		
Blade wiper	739		
Body rear lower assembly	828		
Body rear lower assembly	836		
Body rear lower assembly	844		
Body rear lower assembly	828		
Bodyside & wheelarch rh	848		
Bodyside assembly rh	828		
Bodyside panel rh	884 - 889		
Bodytapes	775		
Bonnet	775		
Bonnet	939		
Bonnet insulation	776		
Bonnet props	774		
Bonnet release	438		
Bottom link	878		
Brace	407		
Bracket-track rod protect	409		
Bracket-track rod protect	852		
Bracket anchor front	1034		
Bracket anchorage	440		
Bracket fulcrum	746		
Bracket mounting body	852		
Bracket mounting front rh	853		
Bracket mounting inner	853		
Bracket mounting outer	852		
Bracket mounting rear rh	1044		
Bracket mounting rear rh	450		
Bracket spare wheel mntng			
Bracket support			

**C**

Cab	934 - 935
Cab base assembly	823
Cab base assembly	823 - 824
Cab rear panel	825 - 827
Cable-glow plug timer	696
Cable accelerator rhs	474
Cable bonnet release	774
Cable choke	481
Cable control	663
Cable control - blend	628
Cable control - distrib'n	628
Cable control - outlet	627
Cable fuel shutoff	709
Cable hand throttle	482
Cable handbrake	515
Cable main fans	697
Cable relay extension	697
Cable speedometer rhs	724
Cable speedometer upper	740
Cable split charge	708
Cable tailboard	835
Caliper brake lh	507
Caliper brake rh	507
Camshaft - v8 carb	269
Camshaft - 2.5 diesel	97
Camshaft - 2.5 diesel turbo	145
Camshaft - 2.5 petrol	42
Camshaft - 200 tdi	190





## C - Continued

Camshaft - 300tdi	231	Centre - county - type b - note(1	973 - 974	Cooling fan - v8 carb	260 - 261	Cushion cloth	964
Canister charcoal	576	Centre - county - 1988my onwards	978 - 979	Cooling fan - 300 tdi	223	Cushion cloth	966
Canister charcoal	577	Centre power take off	1061 - 1062	Corner bracket rh	833	Cushion cloth	968
Canister charcoal	578	Channel checkstrap rh	789	Cover aux instruments	727	Cushion cloth	971
Cap centre	446	Channel drain rh	904	Cover battery access	760	Cushion cloth	973
Cap expansion tank	621	Channel side drain rh	900	Cover bumper protection	747	Cushion cloth	976
Cap expansion tank-9psi	619	Channel top drain rh	900	Cover centre	760	Cushion cloth	979
Cap fuel filler	525	Chassis fittings	746	Cover dash side lh	927	Cushion cloth	985
Cap fuel filler	526	Chassis frame	743 - 745	Cover floor lh rhs	952	Cushion driver seat	959
Capping corner lh	824	Chassis harness	692 - 694	Cover floor rh rhs	952	Cushion vinyl	966
Capping front panel	834	Checklink	799	Cover fuel tank access	762	Cyclone breather - 300tdi	230
Capping rh	833	Checklink	800	Cover fusebox	915	Cyclone breather assembly - 2.5 d	96
Capping rh	842	Checklink rh	790	Cover handbrake	513	Cyclone breather assembly - 200 t	189
Car care	1068	Checklink rh	794	Cover handbrake	514	Cylinder block - v8 carb	251 - 252
Carburettor - v8 carb	275	Child seat belt retention	1035	Cover lock-black	921	Cylinder block - 2.5 diesel	72 - 74
Carburettor - 2.5 petrol	47	Chock roadwheel	1042	Cover rear quarter panel	930	Cylinder block - 2.5 diesel turbo	124 - 126
Carburettor adaptors - v8 carb	276	Choke cable	481	Cover rear quarter panel	933	Cylinder block - 2.5 petrol	22 - 23
Carburettor fixings - 2.5 petrol	51	Cigar lighter, dash harness	713	Cover spare wheel	1070	Cylinder block - 200 tdi	171
Carburettors - 2.5 petrol	46	Clack and oil gauges	726	Cover suspension	783	Cylinder block - 300tdi	213
Carpet dash centre	924	Closer inner wing	784	Cover tailboard hinge	749	Cylinder head - v8 carb	265 - 266
Carpet dash centre	924	Clutch housing - lt77/lt77s	304	Cover toe panel	953	Cylinder head - 2.5 diesel	91 - 92
Carpet front floor lh	944	Clutch master cylinder and pipes	479 - 480	Cover tools access	762	Cylinder head - 2.5 diesel turbo	140 - 141
Carpet front floor rh	943	Clutch pedal	476 - 477	Cover transfer case	755	Cylinder head - 2.5 petrol	37 - 38
Carpet heelboard	950	Clutch release - lt85	347	Cover tunnel	952	Cylinder head - 200 tdi	184 - 185
Carpet intermediate floor	950	Clutch release mechanism - tdi	330	Cowl	722	Cylinder head - 300tdi	225 - 226
Carpet rear floor	951	Clutch release mechanism - v8	331	Cowl fan-engine	604	Cylinder wheel rh	509
Carpet seatbase front rh	946	Clutch release mechanism - v8 - l	303	Cowl fan-radiator	603		
Carpet seatbase top	948	Clutch release mechanism - 4cyl - l	302	Cowl fuel filler	832		
Carpet toe panel	950	Clutch release mechanism - 4cyl - p	329	Cowl side fuel filler	824		
Carpet tunnel	943	Coil ignition	59	Crankshaft - v8 carb	253		
Carpets - front floor	943 - 945	Column steering	447	Crankshaft - 2.5 diesel	76	Damper steering kit	463
Carpets - intermediate floor	950	Column top support	450	Crankshaft - 2.5 diesel turbo	128	Dash assembly	750 - 751
Carpets - rear floor	951	Compressor fixings - v8 carb	286	Crankshaft - 2.5 petrol	25	Dash trim	924 - 927
Carpets - seatbase	946 - 949	Compressor fixings - 2.5 diesel	109	Crankshaft - 200 tdi	174	Dash ventilator - air con	753
Carrier	515	Compressor fixings - 2.5 diesel t	158	Crankshaft - 300tdi	215	Dash ventilator - non air con	752
Carrier	515	Compressor fixings - 2.5 petrol	56	Cross brace rh	773	De icer	1068
Carrier spare wheel	892	Compressor fixings - 200 tdi	203	Crossmember	830	Decals - from 1991 model year	882 - 883
Case differential	410	Condenser	636	Crossmember	837	Decals - up to 1991 model year	881
Case differential	412	Condenser - rhs/lhs	636	Crossmember	846	Deflector rh	788
Case differential	426	Connector	504	Crossmember body	746	Deflector rh	792
Casing rearend door-black	920	Connector	505	Crossmember body mounting	847	Delay unit	735
Catch bonnet	773	Constant velocity joint	414	Crossmember detachable	745	Delay unit	736
Catch overcentre	760	Control assembly	660	Crossrod eye end-rhs	462	Delay unit	737
Catch overcentre	762	Control heater	627	Crownwheel and pinion	410	Delay unit wash/wipe	717
Catch tank	573	Control heater	663	Crownwheel and pinion	412	Demister and flaps	666
Catch tank	575	Control heater	663	Crownwheel and pinion	426	Demisters and outlet flaps	629
Catch tank	579	Control ventilator	752	Cubby box - from vin 456100	917	Diaphragm and tunnel panels	754 - 755
Centre - county - type a	965 - 966	Cooler and frame - v8 lt77 gearbo	612	Cubby box - upto vin 456099	916	Diff case	410

## D





## D - Continued

Diff case	412	Electronic unit egr	718	Eyebrow black	874	Flywheel & clutch - v8 carb	299
Diff case	426	Engine complete - v8 carb	248	Eyebrow rh	784	Flywheel & clutch - 2.5 diesel	118 - 119
Differential	426	Engine complete - 2.5 diesel	69			Flywheel & clutch - 2.5 diesel tu	165 - 166
Differential - lt85	385	Engine complete - 2.5 diesel turb	121			Flywheel & clutch - 2.5 petrol	66
Differential - 4cyl/lt77s	365	Engine complete - 2.5 petrol	19	<b>F</b>		Flywheel & clutch - 200 tdi	209
Differential assembly	406	Engine complete - 200 tdi	168			Flywheel & clutch - 300 tdi	245
Dim dip unit	716	Engine harness - diesel	703	Facia assembly	660	Folding step - rear end door	380
Dim dip unit, glow plug timer	716	Engine harness - diesel turbo and	704	Facia assembly	665	Folding step - side doors - not g	878 - 879
Diode	706	Engine harness - v8	701 - 702	Facia panel - lhs	665	Forward facing - individual type	989 - 992
Disc brake	507	Engine harness - 2.5 petrol	700	Facia panel assembly - rhs	660	Forward facing split seat	981 - 988
Disc brake	510	Engine harness - 300tdi	705	Facia plate	714	Frame assembly sunroof	872
Distributor - v8 carb	288	Engine mountings - 2.5 petrol	28	Facia plate - from ma939976	715	Frame hood	903
Distributor - 2.5 petrol	58	Engine mountings - 200 tdi	177	Facia plate - up to ta939975	714	Frame mounting	611
Door lh	788	Engine short - v8 carb	250	Fan cowl	603 - 604	Frame side rh	795
Door pull	803	Engine short - 2.5 diesel	71	Filler fuel	526	Frame side rh	795
Door pull	806	Engine short - 2.5 diesel turbo	123	Filter - diesel and diesel turbo	546	Fresh air duct - lhs	661
Door rear end	796	Engine short - 2.5 petrol	21	Filter - 200tdi	547	Fresh air duct - rhs	658
Door rear side rh	792	Engine short - 200 tdi	170	Filter - 300tdi	548	Front - diesel turbo	587 - 589
Door rh	788	Engine stripped - v8 carb	249	Filter and pipes - v8 petrol	530	Front - tdi	591
Door seal front rh	791	Engine stripped - 2.5 diesel	70	Filter assembly fuel	546	Front - v8	583 - 584
Downpipe	581	Engine stripped - 2.5 diesel turb	122	Filter assembly fuel	547	Front - 4 cyl petrol & nat asp di	581 - 582
Downpipe	587	Engine stripped - 2.5 petrol	20	Filter assembly fuel	548	Front axle assembly	402 - 403
Downpipe	591	Engine stripped - 200 tdi	169	Filter fuel	529	Front axle case	404 - 405
Downpipe lh	583	Engine stripped - 300 tdi	211	Filter fuel	530	Front brake pipes	493 - 494
Drain channels - full length hood	900 - 901	Evap loss - regular and station w	577	Finisher assembly	665	Front brake pipes	499 - 501
Drive belts - v8 carb	262 - 263	Evap loss - station wagon - singl	574	Finisher assembly	665	Front brake pipes lhd	496
Drive shafts	414 - 416	Evap loss - station wagon - singl	575	Finisher blanking rh	625	Front brake pipes lhd	498
Driver - county - type b - note(1	967 - 969	Evap loss single fuel tank - defe	579	Finisher dash ventilator	753	Front brake pipes rhd	495
Driving member	420	Evaporative loss - 4 cylinder pe	570	Finisher grille lh	625	Front brake pipes rhd	497
Driving member	427	Evaporative loss - defender 130	578	Finisher rh	780	Front brakes	507 - 508
Drop arm-rhs	451	Evaporative loss - hcpu	576	Finisher tail pipe	592	Front bumper & bumperettes	747
Drop arm-rhs	455	Evaporative loss - hcpu - single	573	Finisher tail pipe	593	Front cover - lt85	350
Drum brake	509	Evaporative loss - v8 petrol	571 - 572	Fire extinguisher	1069	Front cover - v8 carb	257
Duct air	553	Evaporator	640	Fixings alternator - 2.5 diesel t	162	Front cover - 2.5 diesel	80 - 81
Duct air	555	Evaporator	644	Fixings alternator - 200 tdi	206	Front cover - 2.5 diesel turbo	132 - 133
Duct air	569	Evaporator assembly	637	Flame trap	554	Front cover - 2.5 petrol	29 - 30
Duct air	661	Evaporator assembly - rhs	637	Flame trap - v8 carb	277	Front cover - 200 tdi	178
Duct air inlet	554	Exhaust gas recirculating - 300td	234	Flaps heater outlet	629	Front cover - 300tdi	219 - 220
Duct assembly	660	Exhaust manifold - v8 carb	273	Flasher unit - 2 pin	717	Front differential	406 - 413
Duct heater lh	625	Expansion tank	619 - 622	Flasher unit - 3 pin	717	Front door	918
		Extension bracket rh	1073	Flasher units - relays - delay un	717	Front door - glass & window regul	802 - 803
		Extension case - lt77 - up to suf	307	Floor	845	Front door - hinges and door chec	789 - 790
		Extension case - lt77/lt77s - con	309	Floor intermediate	838	Front door - lock mechanism	807 - 809
		Extension case - lt77/lt77s from	308	Front plate front rh	756	Front door - seals	791
		Extension case - manual r380	336 - 337	Floor plate rear interm	757	Front door clinched assembly	788
<b>E</b>		Extinguisher fire with	1069	Floor plates	756 - 757	Front flange - lt85	388
Elbow	554	Extra fuel tank - pick up	522 - 523	Fluid auto trans	1067	Front flange - 4cyl/lt77s	368
Elbow air inlet	553	Extra fuel tank - station wagon	524 - 525	Fluid system - rhs	647	Front floor covers - rubber	952
Elbow air inlet	555						
Elbow air inlet rh	557						





## F - Continued

Front hub	420 - 422
Front lamps - side and indicator	672
Front output shaft - lt85	389 - 390
Front output shaft - 4cyl/lt77s	370 - 371
Front plate rhs	752
Front plate lhs	753
Front propshaft	399
Front seat centre	1021
Front seat outer	1016
Front seat outer	1018
Front seat outer ma939976 on	1017
Front seats - anchorage rail.	1026
Front seats - base assy.	1033
Front seats - harness guide.	1027
Front seats - inertia reel mounti	1029
Front seats - seatbase.	1031
Front seats - shoulder anchorage.	1028
Front seats - shoulder.	1032
Front seats - station wagon	1030
Front seats outer	1019 - 1020
Front slay	767
Front wings	777 - 781
Front wings - wheelarch and eyebr	782 - 785
Front/rear screen wash	732
Front/rear screen wash - air con	733
Fuel filler	573
Fuel filler	574
Fuel filler - rear and side tank	526 - 527
Fuel filter - 2.5 diesel	103
Fuel level unit	523
Fuel level unit	525
Fuel level unit - petrol	521
Fuel lift pump - 300tdi	235
Fuel pipes - 2.5 petrol	50
Fuel pipes - 300tdi	543
Fuel pump - 2.5 diesel	100
Fuel pump - 2.5 diesel turbo	148
Fuel pump - 200 tdi	193
Fulcrum bracket imperial	444
Fuse box	698
Fuse box	713
Fuse box underbonnet	691
Fuse 20a - yellow	691
Fuse 5 amp	688

## G

G valve	503
G valve	504
G valve	506
Gaiter	755
Gaiter kit	432
Gasket kit - lt77	326
Gasket kit - lt85	396
Gasket kit - 2.5 diesel	104
Gasket kit - 2.5 diesel turbo	153
Gasket kit - 4cyl/lt77s	376
Gasket kits - v8 carb	282
Gasket kits - 2.5 petrol	52
Gasket kits - 200 tdi	198
Gaskets inlet manifold - v8 carb	272
Gauge battery condition	724
Gauge fuel	724
Gauge oil pressure	726
Gauge oil temperature	726
Gauge water temperature	724
Gear change - lt85	393 - 394
Gear change - 4cyl/lt77s	373 - 374
Gear lever - lt77/lt77s	323
Gear lever - lt77/lt77s - continu	324
Gear lever - lt85	358
Gear lever - manual r380	344
Gearbox assembly - lt77/lt77s	301
Gearbox assembly - lt85	346
Gearcase - lt77 - up to suffix e	305
Gearcase - lt77/lt77s from suffix	306
Gearcase - lt85	349
Gearcase - manual r380	332 - 333
Gearcase - manual v8 r380	335
Glass clear	802
Glass clear	804
Glass rear quarter clear	804
Glow plug	184
Grab handle	921
Grab handle	928
Grab handle	932
Grab rail	980
Grab rail	980
Grille	770
Grille air intake	566
Grille top panel and braces	773
Grommet assembly	399

Guard hand/chaff	771
Guide seat belt	922

## H

Halfshaft assembly rh	414
Halfshaft assembly rh	416
Hand throttle - 2.5 petrol	48
Hand throttle control	482 - 483
Hand throttle control	484
Hand throttle linkage	484 - 486
Hand/chaff guard	771
Handbrake assembly-rhs	511
Handbrake cable	515 - 517
Handbrake lever	511 - 513
Handbrake lever - australia	514
Handle door outer rh	807
Handle door outer rh	810
Handle grab	936
Handle lifting	749
Handle window regulator	803
Handle window regulator	806
Hard top	933
Harness	695 - 696
Harness	696
Harness	696
Harness aircon	699
Harness and resistor	626
Harness chassis	692
Harness dash rww/hrw	713
Harness engine	706
Harness engine - 65a	708
Harness heater control	627
Harness instrument	709
Harness lighting	699
Harness pdwa switch	709
Harness rear end door	710
Harness rear tank	693
Harness seat belt warning	740
Harness twin tank	695
Harness twin tank	695
Harness vacuum	648
Head restraint cloth	964
Head restraint cloth	969
Head restraint cloth	972
Header rail	901
Headlamp and screen wash - non ai	734 - 735
Headlamp and windscreen wash - ai	736
Headlamp/front/rear screen wash	737 - 738
Headlamps - lucas - up to ka92261	669
Headlamps - wipac - from ka922615	670
Headlamps with levelling - lhs on	671
Headlining	934
Headlining front	931
Headlining front	933
Headlining front	936
Headlining intermediate	928
Headlining intermediate	931
Headlining rear	928
Headlining rear	932
Headlining rear	936
Heat insulation - turbo diesel	940 - 941
Heater	623 - 625
Heater components	626
Heater controls	627 - 628
Heater controls - lhs	663
Heater kit-rhs	623
Heater kit-rhs	623
Heater kit-rhs	623
Heater pipes - tdi - lhs	653
Heater pipes - v8	632
Heater pipes - v8 - lhs	655
Heater pipes - v8 - rhs	654
Heater pipes - 200tdi	633 - 634
Heater pipes - 300tdi	635
Heater pipes - 4 cyl petrol 630 d	630
Heater pipes - 4 cyl petrol 631 d	631
Heater pipes - 4 cylinder - lhs	652
Heater pipes - 4 cylinder - rhs	649
Heater/cooler assembly	640
Heater/cooler assembly	644
Heater/cooler assembly - lhs	640 - 646
Heatshield	591
Heatshield	591
Heatshield - v8 carb	274
Heatshield exhaust	581
Heatshield exhaust	584
Heatshield exhaust	587
Heatshield slave cylinder	589
Helper spring	442
High low gears - lt85	392
High low gears - 4cyl/lt77s	372
Hinge door lower rh	789
Hinge door rh	793
Hinge door upper rh	789





## H - Continued

Hinge upper	798	Hose liquid	647	<b>J</b>	Lead clock illumination	709	
Hood	893	Hose suction	647		Levelling unit	444	
Hood	893	Hose top	605		Levelling unit - optional	444	
Hood	895	Hose top	607	Jack side lift	1042	Lid ventilator rh	752
Hood	897	Hose top	608	Jaw towing	1054	Light unit	669
Hood	897	Hose vacuum	648	Jet adaptors - 200 tdi	172	Lining rear end	928
Hood	898	Housing - lt85	381 - 382	Jet adaptors - 300tdi	214	Lining rear end	932
Hood	898	Housing - 4cyl/lt77s	362			Link bottom (solid)	438
Hood - full length	893 - 894	Housing swivel pin-rh rhs	417	<b>K</b>		Link top rh	439
Hood - high capacity pick up	898 - 899	Hub assembly	420			Lock assembly	813
Hood - three quarter length - bul	897	Hub assembly	427	Key blank	807	Louvre	660
Hood - three quarter length - cab	895 - 896			Kit crossmember fitting	744	Lubricants	1067
Hoodstick front	902			Kit gaiter	432		
Hoodstick front	903			Kit lamp guard rear	1063	<b>M</b>	
Hoodstick front	905			Kit master cylinder	479	Main fuel tank	520 - 521
Hoodstick intermediate	902	<b>I</b>		Kit master cylinder	488	Main harness - note(1)	686 - 690
Hoodstick intermediate	903	Ignition coil - v8 carb	289	Kit master cylinder	490	Mainshaft - lt77/lt77s	310
Hoodstick intermediate	905	Ignition coil - 2.5 petrol	59	Kit seat belt mounting	1034	Mainshaft - lt77/lt77s - continue	311
Hoodstick intermediate	907	Indicator restriction	560	Kit servo repair	488	Mainshaft - lt85	351
Hoodstick rear	902	Indicator restriction	562	Kit shock absorber	436	Mainshaft - lt85	386
Hoodstick rear	903	Injection pump - 200 tdi	194	Kit shock absorber	441	Mainshaft - manual r380	338
Hoodstick rear	905	Injection pump - 300tdi	236	Kit trimmer screw	669	Mainshaft - 4cyl/lt77s	366
Hoodstick rear	907	Injector and pipes - 2.5 diesel	102			Mainshaft gears - lt77	312 - 313
Hoodsticks - full length hood	902	Injector and pipes - 300tdi	237	<b>L</b>		Mainshaft gears - lt77/lt77s	314 - 316
Hoodsticks - high capacity pick u	907	Injector pump - 2.5 diesel	101	Ladder rack	908	Mainshaft gears - lt85	352 - 354
Hoodsticks - 3/4 hood - bulkhead	905 - 906	Injector pump - 2.5 diesel turbo	149	Ladder rack - high capacity pick	908	Mainshaft gears - manual r380	339 - 341
Hoodsticks - 3/4 hood - cab fixin	903 - 904	Injectors and pipes - 2.5 diesel	150	Lamp fog	676	Manifold - 2.5 diesel turbo	147
Hook	901	Injectors and pipes - 200 tdi	195	Lamp guards	1063	Manifolds - 2.5 diesel	99
Hook safety	775	Inlet manifold - v8 carb	270	Lamp indicator	672	Manifolds - 2.5 petrol	44 - 45
Hook towing	1055	Inline fuse	698	Lamp indicator	674	Manifolds - 200 tdi	192
Horn	719	Instrument harness	709	Lamp interior	674	Manifolds - 300 tdi	233
Horn	719 - 721	Instrument panel and cowl	722 - 723	Lamp interior	678	Manual steering box - adwest	454
Horn low note	720	Instruments	724 - 725	Lamp reversing	679	Manual steering box - gemmer	451 - 453
Hose assembly	636	Insulation bonnet	939	Lamp side	674	Master cylinder brake	488
Hose assembly	640	Insulation dash centre	924	Lamp side repeater	676	Master cylinder brake	490
Hose assembly	644	Insulation dash centre	924	Lamp stop/tail	672	Master cylinder clutch	479
Hose bleed	605	Insulation wheelarch	939	Lashing bracket	673	Mat front rh	955
Hose bleed	607	Interior lamp - from ha455596 up	679	Latch door rh	674	Mat intermediate	955
Hose bleed	608	Interior lamp - from ma939976	680	Latch door rh	807	Mat intermediate floor	953
Hose bottom	605	Interior lamp - up to ha455595	678	Layshaft - lt77 - upto suffix e i	317 - 318	Mat rear	955
Hose bottom	608	Intermediate floor cover - non ca	953	Layshaft - lt77/lt77s from suffix	319 - 320	Mat rear cab floor	954
Hose brake	493	Intermediate shaft - lt85	387	Layshaft - lt85	355	Mat rear floor	954
Hose clutch	480	Intermediate shaft - 4cyl/lt77s	367	Layshaft - manual r380	342	Matrix	626
Hose discharge	636	Inward facing - defender 130	1015			Mirror arm	890
Hose expansion tank	606	Inward facing - individual	1011 - 1014			Mirror glass	890
Hose heater	630	Inward facing - three seater bench	1004 - 1010			Mirror head	890
Hose heater	632	Inward facing - two seater bench	997 - 1003				
Hose heater	633						



**M - Continued**

Mirror interior 890  
 Mirrors - interior and exterior 890  
 Modulator egr valve 234  
 Module warning lamp 725  
 Motor and rotor - rhs 626  
 Motor blower 637  
 Motor blower 641  
 Motor blower 641  
 Motor blower 646  
 Motor fan 636  
 Motor vacuum 658  
 Motor wiper front 729  
 Motor wiper rear - imos 739  
 Moulding 446  
 Mounting - v8 carb 256  
 Mountings - diesel 300tdi 218  
 Mountings - lt77/lt77s 325  
 Mountings - lt85 359  
 Mountings - 2.5 diesel 79  
 Mountings - 2.5 diesel turbo 131  
 Mud flap pair front 1073  
 Mud flaps 1073 - 1074  
 Mud shield 876  
 Mudshield brake lh 507  
 Mudshield brake rh 507  
 Mudshield rh 510

**N**

Nametape front 881  
 Nametape rear 881  
 Nozzle rh 629  
 Nozzle rh 666

**O**

Oil cooler 610  
 Oil cooler and mounting frame 610 - 611  
 Oil engine 5 litres 1067  
 Oil filter - 2.5 diesel 89  
 Oil filter - 2.5 diesel turbo 139  
 Oil filter - 2.5 diesel with oil 90  
 Oil filter - 2.5 petrol 35  
 Oil filter - 200 tdi 183  
 Oil filter - 300tdi 224  
 Oil filter with oil cooler - 2.5 36

Oil gear 1067  
 Oil pump - v8 carb 264  
 Oil pump - 2.5 diesel 87 - 88  
 Oil pump - 2.5 diesel turbo 137 - 138  
 Oil pump - 2.5 petrol 34  
 Oil pump - 200 tdi 181 - 182  
 Outer - county - type a 963 - 964  
 Outlet flaps assy lhs 666  
 Outrigger front rh 744  
 Overspeed monitor unit 740

**P**

Pad bumper protection 747  
 Pad insulation 755  
 Pad sound deadening 762  
 Paint 1048 - 1049  
 Panel bodyside upper lh 855  
 Panel bodyside upper rh 855  
 Panel bodyside upper rh 860  
 Panel cover rh 832  
 Panel cover rh 840  
 Panel diaphragm 754  
 Panel extension rh 760  
 Panel extension rh 838  
 Panel glass sunroof 872  
 Panel grille 769  
 Panel grille top 773  
 Panel inner rh 788  
 Panel inner rh 792  
 Panel inner rh 850  
 Panel instrument 723  
 Panel mounting rh 777  
 Panel nose rh 777  
 Panel outer rh 778  
 Panel outer rh 778  
 Panel outer rh 778  
 Panel rear cab 825  
 Panel rear end rh 829  
 Panel toebox trim rh 924  
 Panel toebox trim rh 925  
 Panel tunnel 754  
 Panel valance front rh 850  
 Panel waterdam rh 794  
 Parcel tray 915  
 Parcel tray & heater duct 914 - 915  
 Passenger - county - type b - not 970 - 972

Pedal accelerator 473  
 Pedal assembly brake 478  
 Pedal assembly clutch 476  
 Pedal box 476  
 Pedal box 478  
 Phase tap protection unit 705  
 Pintle towing 1056  
 Pintle towing rotating 1057  
 Pipe-pump to strg box 466  
 Pipe-pump to strg box 466  
 Pipe-reservoir to pump 465  
 Pipe-strg box to reserv 468  
 Pipe assembly 480  
 Pipe assembly feed 613  
 Pipe assembly feed 614  
 Pipe assembly feed 616  
 Pipe assembly feed 617  
 Pipe assembly return 613  
 Pipe assembly return 614  
 Pipe assembly return 617  
 Pipe assembly rhs 479  
 Pipe brake 495  
 Pipe brake 496  
 Pipe brake 496  
 Pipe brake 498  
 Pipe brake 502  
 Pipe brake from g valve 503  
 Pipe brake primary 493  
 Pipe brake rh 495  
 Pipe brake rh 497  
 Pipe brake rh 502  
 Pipe brake secondary 493  
 Pipe brake to g valve 503  
 Pipe exhaust extension 586  
 Pipe exhaust intermediate 588  
 Pipe extension 593  
 Pipe flexible 616  
 Pipe heater 632  
 Pipe heater 633  
 Pipe intercooler 607  
 Pipes 614  
 Pipes - diesel and diesel turbo 534  
 Pipes - diesel - with - sedimento 540  
 Pipes - diesel - with sedimentor 541 - 542  
 Pipes - diesel - without sediment 536 - 539  
 Pipes - note(1) 613  
 Pipes - v8 - from vin fa429128 617  
 Pipes - v8 - upto vin fa429127 615 - 616  
 Pipes - v8 lt77 gearbox 618  
 Pipes - 200tdi - from vin ha45564 535  
 Pipes,solenoid-twin tanks-petrol 533  
 Piston & rings - v8 carb 254  
 Piston and rings - 2.5 petrol 26  
 Piston 216 rings - 300tdi 216  
 Pistons - 2.5 diesel 77  
 Pistons - 2.5 diesel turbo 129  
 Pistons and rings - 200 tdi 175  
 Plate baffle rh 772  
 Plate clamping 891  
 Plate cover 761  
 Plenum chamber - lhs 664  
 Plenum chamber assembly 659  
 Plenum chamber assembly 664  
 Plenum 659 defrosters - rhs 659  
 Polish wax 1068  
 Power steering box - adwest 457 - 461  
 Power steering box - gemmer 455 - 456  
 Power steering pipes - from vin j 470 - 471  
 Power steering pipes - upto vin j 465 - 469  
 Power steering pump - 2.5 diesel 106  
 Power steering pump - 2.5 diesel 155  
 Power steering pump - 2.5 petrol 53  
 Power steering pump - 200 tdi 200  
 Power steering pump - 300 tdi 240  
 Power steering pump 283 mountings 283  
 Power steering reservoir 464  
 Power take-off centre 1061  
 Printed circuit 725  
 Prop bonnet 776  
 Prop bonnet 776  
 Propellor shaft front 399  
 Propellor shaft rear 400  
 Pump fuel 521  
 Pump fuel 523  
 Pump headlamp wash 734  
 Pump headlamp wash 736  
 Pump headlamp wash 737  
 Pump rear screen 734  
 Pump rear screen wash 733  
 Pump rear screen wash 737  
 Pump screenwash 730  
 Pump screenwash 731  
 Pump screenwash 732  
 Pump windscreen wash 733  
 Pump windscreen wash 734





Pump windscreen wash	736	Rear side door	919	Rod panhard	435	Shaft steering	448
Pump windscreen wash	738	Rear side door - frame and seals	795	Roll over bar - high capacity pic	909	Shock absorber & road spring	441 - 442
		Rear side door - glass & regulator	804 - 806	Roof - hard top and station wagon	867 - 869	Shock absorbers & road spring	436
		Rear side door - hinges and doorc	793 - 794	Roof - truck cab	870 - 871	Short engine - 300tdi	212
<b>R</b>		Rear side door - lock mechanism	810 - 812	Roof assembly	870	Shoulder anchorage rh	1034
		Rear side door clinched assembly	792	Roof trim - defender 130 - 1991 m	936	Shroud-lower	449
Radiator	596	Rear wash wipe	739	Rope cleat	831	Shroud-upper	449
Radiator	596 - 598	Rear wash wipe and heated rear wi	710	Rotating towing pintle	1057	Side cover - 2.5 diesel	75
Radiator & intercooler hoses - 20	607	Receiver drier	636			Side cover - 2.5 diesel turbo	127
Radiator baffle plate	772	Recovery ring and lifting handle	749			Side cover - 200 tdi	173
Radiator grille	769 - 770	Reflector	676	<b>S</b>		Side covers - 2.5 petrol	24
Radiator hoses	605 - 606	Reflectors, fog lamp, reverse lam	676 - 677	Seal rear end door	801	Side repeater lamps	673
Radiator hoses - v8	608 - 609	Regulator rear rh	806	Seals - rear end door	801	Silencer	593
Radiator, intercooler & oil coole	599 - 602	Regulator rh	803	Seat assembly	978	Silencer exhaust	585
Radio cassette	727	Relay	697	Seat assembly centre	965	Silencer exhaust	590
Radio cassette & loudspeakers - f	728	Relay	717	Seat assembly centre	973	Silencer exhaust	590
Radio cassette & loudspeakers - u	727	Relay dash harness	714	Seat assembly long	984	Silencer exhaust	592
Radius arm & links	434 - 435	Remote breathers	429	Seat assembly rh	963	Sill bracket lh	763
Raised air cleaner - 200tdi	569	Remote breathers	431	Seat assembly rh	975	Sill bracket lh	766
Raised air cleaner - 4 cylinder	568	Repair kit caliper	507	Seat assembly short	981	Sill bracket rh	763
Rear - diesel turbo	590	Repair kit cylinder wheel	509	Seat assembly slatted	1015	Sill bracket rh	766
Rear - petrol and nat asp diesel	585 - 586	Reservoir	730	Seat assy rhs	967	Sill panel front rh	763
Rear - tdi	592	Reservoir	732	Seat assy rhs	970	Sill panel front rh	766
Rear - 200tdi	593	Reservoir	733	Seat base	758	Sill panel rear lh	763
Rear axle assembly	423 - 424	Reservoir	734	Seat base	758	Sill panel rear lh	766
Rear body lower - high capacity p	844 - 854	Reservoir	736	Seat base	758 - 759	Sill panel rear rh	763
Rear body lower - non station wag	828 - 835	Reservoir	737	Seat base rear	758	Sill panel rear rh	763
Rear body lower - station wagon	836 - 843	Reservoir assembly	464	Seat belt and overspeed warning s	740	Sill panel rear rh	766
Rear body upper - hard top	855 - 859	Reservoir windscreen wash	737	Seat belt rh	1016	Sill panels - except station wago	763 - 765
Rear body upper - station wagon	860 - 866	Resonator	559	Seat frame	957	Sill panels - station wagon	766 - 768
Rear brake pipes	502 - 506	Retainer spare wheel	891	Seat lock - forward facing indivi	994	Sill seal	791
Rear bumperettes and lifting ring	748	Retention kit	507	Seat lock - rear forward facing s	993	Socket trailer	1058
Rear disc brakes	510	Rh/lh - county - 1988my onwards -	975 - 977	Seat slide rh control	957	Socket trailer	1058
Rear drum brakes	796 - 798	Ring lifting towing	747	Seatbase fittings	760 - 762	Socket trailer	1060
Rear end door	920 - 921	Ring recovery	749	Seatbase insulation	942	Solenoid	533
Rear end door - locking mechanism	813 - 814	Ring recovery/lashing	749	Sedimentor	549	Spare wheel carrier - bonnet	891
Rear end door check mechanism	799 - 800	Road wheel	433	Sedimentors - optional - diesel	549	Spare wheel carrier - rear end do	892
Rear eyebrows	874 - 875	Rocker cover - v8 carb	268	Selector and shafts - lt85	356	Spare wheel cover	1070 - 1072
Rear flange - lt85	391	Rocker cover - 2.5 diesel	95	Selector and shafts - lt85 - cont	357	Spare wheel stowage interior	1044 - 1046
Rear flange - 4cyl/lt77s	369	Rocker cover - 2.5 diesel turbo	144	Selectors and shafts - lt77/lt77s	321	Speaker assembly	727
Rear floor cover - non carpet	954	Rocker cover - 2.5 petrol	41	Selectors and shafts - lt77/lt77s	322	Speedo housing - lt85	383 - 384
Rear forward facing seats	1034	Rocker cover - 200 tdi	188	Selectors and shafts - manual r38	343	Speedo housing - 4cyl/lt77s	363 - 364
Rear forward facing seats - centr	1024	Rocker cover - 300tdi	229	Sensor	555	Speedometer mph	724
Rear forward facing seats - outer	1022 - 1023	Rocker shaft - 2.5 diesel	93	Sensor	557	Split charge facility - from vin	708
Rear inward facing seats	1025	Rocker shaft - 2.5 diesel turbo	142	Sensor vehicle speed	740	Split charge facility - up to vin	706 - 707
Rear inward facing seats	1036	Rocker shaft - 200 tdi	186	Separator & filter - 4 cyl petrol	528 - 529	Spring front driver	436
Rear lamps - stop/tail, indicator	674 - 675	Rocker shaft - 300tdi	227	Separator vapour	528	Spring rear driver	442
Rear lamps protection	876	Rockers - 2.5 petrol	39	Servo assembly	488	Spring rear passenger	442
Rear pipes - single tank - petrol	531	Rod assembly - lt85	395	Servo assembly	490	Squab cloth	965
Rear propshaft	400 - 401	Rod assembly - 4cyl/lt77s	375	Shaft drive rear rh	427	Squab cloth	973





## S - Continued

Squab cloth	978	Support wing	781	Tap fuel	545	Top capping rh	842
Squab cloth	982	Supports and slides - basic seats	957	Tape-front door rh	885	Top link, fulcrum, ball joint	439 - 440
Squab cloth	985	Suppressor	705	Tape-rear side door rh	885	Torsion bar rh	790
Squab driver seat	958	Switch brake light	478	Tape body strobe lh	884	Torsion bar rh	793
Squab lock - forward facing indiv	995 - 996	Switch choke	481	Tape bodyside lh	884	Towing ball and bracket	1050 - 1051
Squab rh cloth	963	Switch fuel change over	545	Tape front 'defender'	882	Towing ball and bracket - h.c.p.u	1052 - 1053
Squab rh cloth	975	Switch fuel changeover	712	Tape front door lh	884	Towing hook	1055
Squab rhs cloth	967	Switch handbrake	514	Tape front door rh	887	Towing jaw	1054
Squab rhs cloth	970	Switch hazard warning	712	Tape rear 'defender 110'	882	Towing pintle	1056
Squab vinyl	965	Switch high pressure	636	Tape rear quarter rh	885	Track rod assembly	462
Starter - 2.5 petrol	65	Switch hrw	714	Tape rear side door lh	884	Trailer socket	1058 - 1060
Starter motor - v8 carb	297 - 298	Switch ignition	711	Tape rear side door rh	887	Transfer assembly - lt85	380
Starter motor - 2.5 diesel	116 - 117	Switch illuminated	665	Tappets - 2.5 diesel	94	Transfer assembly - 4cyl lt77s	361
Starter motor - 2.5 diesel turbo	163 - 164	Switch indicator horn dip	712	Taps - dual tanks option - diesel	544 - 545	Transmission brake - lt85	397
Starter motor - 200 tdi	207 - 208	Switch interior light	679	Terminal	707	Transmission brake - 4 cyl/lt77s	378
Starter motor - 300tdi	244	Switch interior light	712	Terminal post	707	Transmission brake - 4cyl/lt77s	377
Station wagon - bodyside - from n	922 - 923	Switch master light	712	Terminal post	708	Trim 'a' post rh	928
Station wagon - roof - from note(	931 - 932	Switch oil pressure	183	Thermostat	641	Trim 'a' post rh	934
Station wagon - roof and side -	928	Switch rear fog lamp	712	Thermostat & housing - v8 carb	271	Trim 'a' post rh	936
Station wagon - roof and side - u	929	Switch reverse lamp	677	Thermostat - 300tdi	232	Trim 'b' post lh	936
Station wagon - up to vin 314267	930	Switch rww	713	Thermostat housing - 2.5 diesel	98	Trim 'b' post rh	933
Stay centre	765	Switch vacuum	641	Thermostat housing - 2.5 diesel t	146	Trim 'b' post rh	934
Stay front	765	Switch vacuum	645	Thermostat housing - 2.5 petrol	43	Trim 'bc' post	929
Stay rh	783	Switch volt sensitive	708	Thermostat housing - 200 tdi	191	Trim 'd' post rh	929
Stay rh	830	Switch wash wipe	712	Throttle linkage - v8 carb	281	Trim a post rh	922
Stay rh	839	Switches	711 - 712	Tie bar-rhs	452	Trim bc post	922
Steering box	451	Swivel pin housing	417 - 419	Tie tube	902	Trim cantrail rh	932
Steering box-rhs	455	Swivel pin lower	417	Tie tube	907	Trim cantrail rh interm	928
Steering column shroud	449	Swivel pin upper	417	Tie tube front	903	Trim front pillar	922
Steering track rods	462 - 463			Tie tube front	905	Trim panel bodyside rh	922
Steering wheel and column	446 - 448			Tie tube rear	903	Trim panel rear end rh	923
Step assembly rear	880			Tie tube rear	905	Trim rear lower	934
Step side	877			Timer glow plug	716	Trim rear lower	936
Stirrup step - side doors	877			Timing belt - 2.5 diesel	82	Trim rear pillar rh	934
Striker bonnet	775	Tail pipe	592	Timing belt - 2.5 diesel turbo	134	Trim rear pillar rh	936
Striker lock	809	Tail pipe	593	Timing belt - 200 tdi	179	Trim rear quarter rh	929
Striker lock	812	Tailboard	817	Timing belt - 300 tdi	221	Trim ring sunroof	872
Subframe & slide rh	964	Tailboard - lower hinged	816	Timing chain - 2.5 petrol	31	Trim sidelight upper	929
Subframe & slide rhs	967	Tailboard - side hinged	817 - 820	Toe panel gusset bracket	841	Turbo charger - 2.5 diesel turbo	151 - 152
Sump - v8 carb	255	Tailboard assembly	816	Tool curtain	1039	Turbo charger - 200 tdi	196 - 197
Sump - 2.5 diesel	78	Tailgate	821	Tool curtain	1040	Turbocharger - 300tdi	238
Sump - 2.5 diesel turbo	130	Tailgate - high capacity pick up	821 - 822	Tool curtain - 1991my	1039	Twin tanks-petrol-4 cyl and v8	532
Sump - 2.5 petrol	27	Tank expansion	619	Tool curtain - 1991my	1040		
Sump - 300tdi	217	Tank expansion	621	Tool locker	759		
Sump/ladder frame - 200 tdi	176	Tank fuel	520	Tool stowage - pick up, truck cab	1038		
Sunroof	872 - 873	Tank fuel	522	Tool stowage - station wagon	1041		
Sunvisor rh	937	Tank fuel	524	Tools	1042 - 1043	Under bonnet fuse box - from ma93	691
Sunvisors	937 - 938	Tank vacuum	648	Top capping rh	833	Universal joint	399
		Tap fuel	544				

## T

## U





**U - Continued**

Universal joint 401  
 Universal joint 448  
 Upper crash pad 911 - 912

**V**

Vacuum hose 489  
 Vacuum hose 490  
 Vacuum hose 491  
 Vacuum hoses - air conditioning - 492  
 Vacuum hoses - air conditioning - 491  
 Vacuum pipes & reservoir - rhs/lh 648  
 Vacuum pipes - carburetter - 2.5 49  
 Vacuum pump - 2.5 diesel 105  
 Vacuum pump - 2.5 diesel turbo 154  
 Vacuum pump - 200 tdi 199  
 Vacuum pump - 300 tdi 239  
 Vacuum tank 492  
 Valve air temp control 555  
 Valve air temp control 557  
 Valve and tappets - 300tdi 228  
 Valve check 554  
 Valve discharge 636  
 Valve dump 625  
 Valve egr 234  
 Valve non return 534  
 Valve non return 555  
 Valve non return 557  
 Valve one way 491  
 Valve pdwa 493  
 Valve pdwa/pcr 493  
 Valve pressure/vacuum 572  
 Valve water control 649  
 Valve water control 652  
 Valve water control 653  
 Valve water control 654  
 Valve water control 655  
 Valves & tappets - v8 carb 267  
 Valves & tappets - 2.5 diesel tur 143  
 Valves & tappets - 2.5 petrol 40  
 Valves and tappets - 200 tdi 187  
 Volute assembly - rhs 626

**W**

Water pump - non viscous - v8 car 258  
 Water pump - viscous - v8 carb 259  
 Water pump - 2.5 diesel 83 - 84  
 Water pump - 2.5 diesel - noise r 86  
 Water pump - 2.5 diesel turbo air 136  
 Water pump - 2.5 diesel turbo non 135  
 Water pump - 2.5 diesel with 65 a 85  
 Water pump - 2.5 petrol - air con 33  
 Water pump - 2.5 petrol - basic 32  
 Water pump - 200 tdi 180  
 Water pump - 300tdi 222  
 Wheel blower motor 646  
 Wheel box 729  
 Wheel road 433  
 Wheel steering 446  
 Wheelbrace 1042  
 Wheelguard rh 1064  
 Wheelguard rh 1065  
 Wheelguards - hcpu 1066  
 Wheelguards - standard pick up - 1064  
 Wheelguards - standard pick up - 1065  
 Window assembly 825  
 Window assembly rh 858  
 Window assembly rh 863  
 Windscreen 786 - 787  
 Windscreen frame 786  
 Windscreen wash - air con 731  
 Windscreen wash - non air con 730  
 Windscreen wipers 729  
 Wing front rh 777

**3**

300tdi 718

**5**

5 speed - manual 328





## MASTER INDEX

	PAGES
INTRODUCTION PAGES	1 - 7
ALPHABETICAL INDEX	8 - 16
ENGINE	17 - 66
ENGINE	67 - 119
ENGINE	120 - 166
ENGINE	167 - 209
ENGINE	210 - 245
ENGINE	246 - 299
GEARBOX	300 - 326
GEARBOX	327 - 344
GEARBOX	345 - 359
TRANSFER BOX	360 - 378
TRANSFER BOX	379 - 397
AXLES AND SUSPENSION	398 - 444
STEERING	445 - 471
VEHICLE AND ENGINE CONTROLS	472 - 486
BRAKES	487 - 517
FUEL SYSTEM AND AIR CLEANER	518 - 579
EXHAUST SYSTEM	580 - 593
COOLING/HEATING	594 - 637
COOLING/HEATING	638 - 641
COOLING/HEATING	642 - 649
COOLING/HEATING	650 - 655
COOLING/HEATING	656 - 666
BODY ELECTRICAL	667 - 740
BODY AND CHASSIS	741 - 909
INTERIOR TRIM	910 - 955
SEATS	956 - 1036
STOWAGE	1037 - 1046
ACCESSORIES - PAINTS	1047 - 1074
NUMERICAL INDEX	1076 - 1151

## GROUP B

## ENGINE

## ENGINE

ENGINE COMPLETE - 2.5 PETROL	19
ENGINE STRIPPED - 2.5 PETROL	20
ENGINE SHORT - 2.5 PETROL	21
CYLINDER BLOCK - 2.5 PETROL	22 - 23
SIDE COVERS - 2.5 PETROL	24
CRANKSHAFT - 2.5 PETROL	25
PISTON AND RINGS - 2.5 PETROL	26
SUMP - 2.5 PETROL	27
ENGINE MOUNTINGS - 2.5 PETROL	28
FRONT COVER - 2.5 PETROL	29 - 30
TIMING CHAIN - 2.5 PETROL	31
WATER PUMP - 2.5 PETROL - BASIC	32
WATER PUMP - 2.5 PETROL - AIR CONDITIONING	33
OIL PUMP - 2.5 PETROL	34
OIL FILTER - 2.5 PETROL	35
OIL FILTER WITH OIL COOLER - 2.5 PETROL	36
CYLINDER HEAD - 2.5 PETROL	37 - 38
ROCKERS - 2.5 PETROL	39
VALVES & TAPPETS - 2.5 PETROL	40
ROCKER COVER - 2.5 PETROL	41
CAMSHAFT - 2.5 PETROL	42
THERMOSTAT HOUSING - 2.5 PETROL	43
MANIFOLDS - 2.5 PETROL	44 - 45
CARBURETTORS - 2.5 PETROL	46
CARBURETTER - 2.5 PETROL	47
HAND THROTTLE - 2.5 PETROL	48
VACUUM PIPES - CARBURETTER - 2.5 PETROL	49
FUEL PIPES - 2.5 PETROL	50
CARBURETTER FIXINGS - 2.5 PETROL	51
GASKET KITS - 2.5 PETROL	52
POWER STEERING PUMP - 2.5 PETROL	53
AIRCON COMPRESSOR - 2.5 PETROL	54 - 55
COMPRESSOR FIXINGS - 2.5 PETROL	56
AIRCON IDLER PULLEY - 2.5 PETROL	57
DISTRIBUTOR - 2.5 PETROL	58
IGNITION COIL - 2.5 PETROL	59
ALTERNATOR - 2.5 PETROL	60 - 61
ALTERNATOR - 2.5 PETROL - AIR CON	62 - 63





DEFENDER 110 1987 onwards

18

ENGINE

ALTERNATOR FIXINGS - 2.5 PETROL  
STARTER - 2.5 PETROL  
FLYWHEEL & CLUTCH - 2.5 PETROL

64  
65  
66





DEFENDER 110 1987 onwards

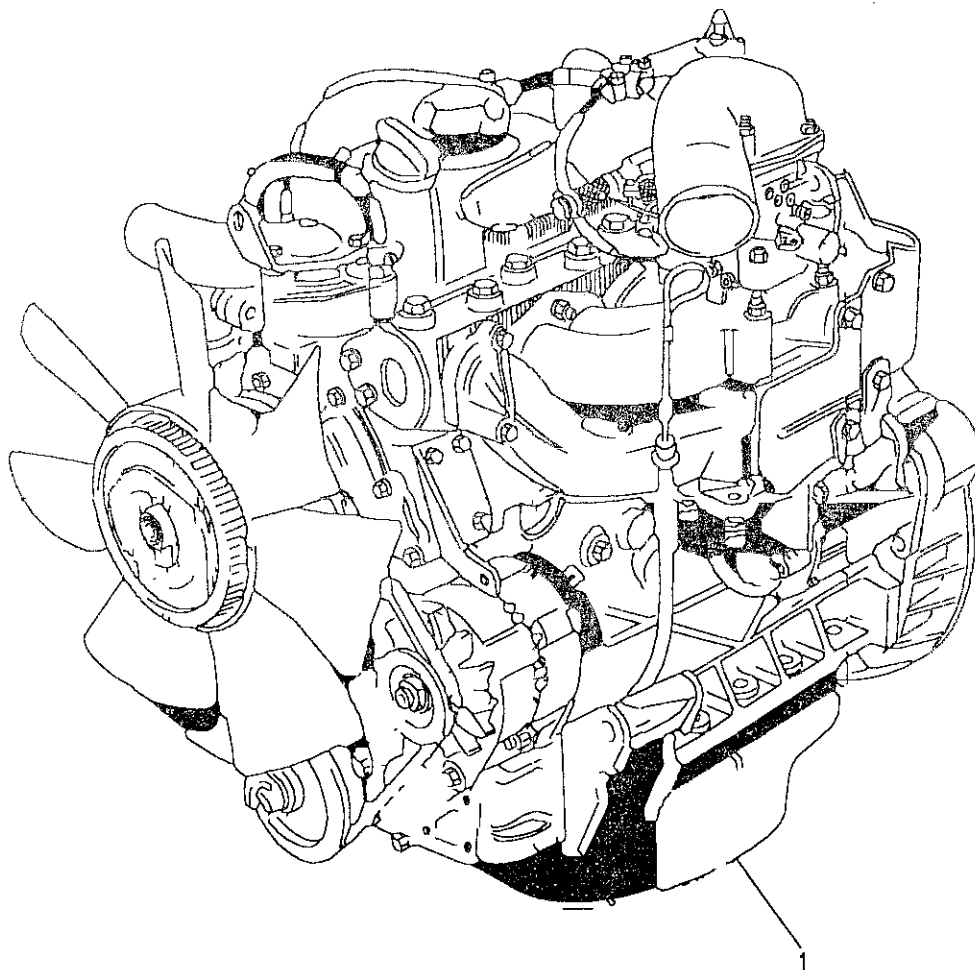
19

ENGINE

**Model** DEFENDER 110 1987 onwards  
**Page** AFBFAA1A

**ENGINE - ENGINE COMPLETE - 2.5 PETROL**

Ill. Part No.	Description	Qty	Remarks
1 ETC5900N	Engine complete assembly	1	17H00001C



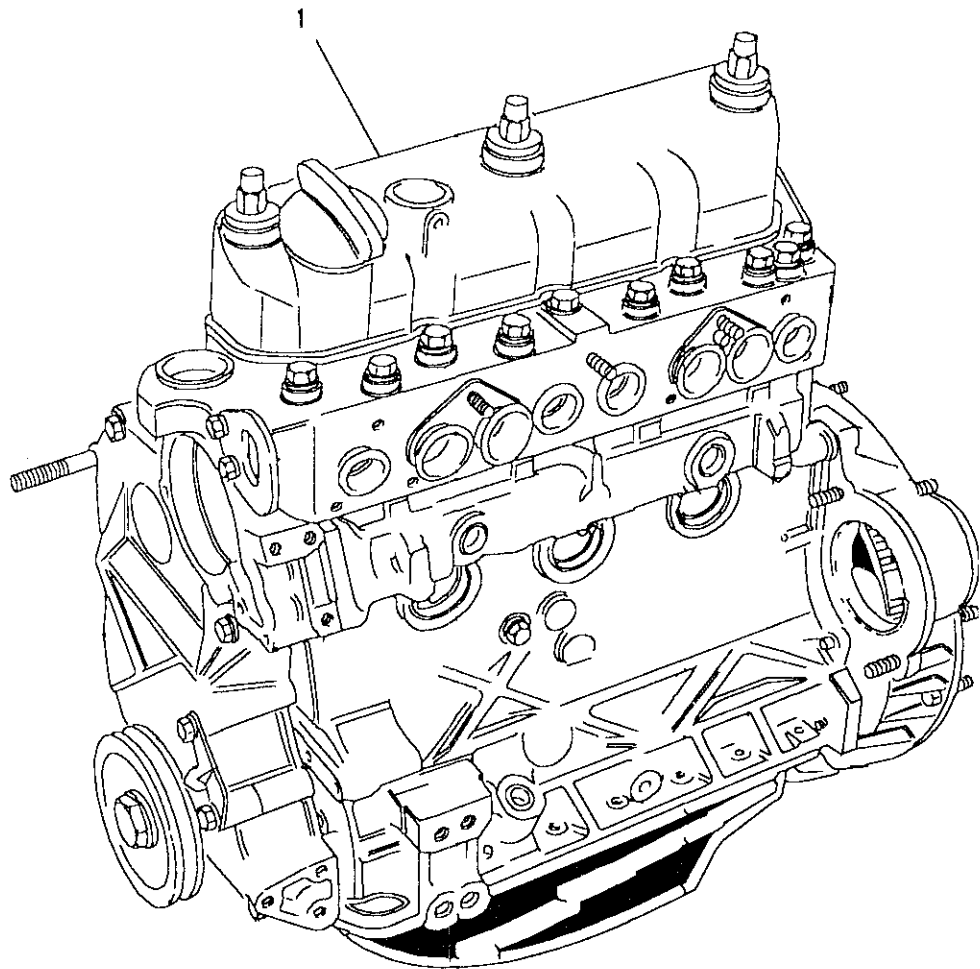
**Model** DEFENDER 110 1987 onwards

**Page** AFBFAC1A

**ENGINE - ENGINE STRIPPED - 2.5 PETROL**

III. Part No.	Description	Qty	Remarks
1 RTC4595R	Engine stripped assy	1	Note(1)
RTC6800N	Engine stripped assy	1	
RTC6800R	Engine stripped-recon	1	Note(2)

Note(1) Reconditioned engine only available up to eng-No17H25700C  
 Note(2) Reconditioned engine only available from eng-No17H25701C





DEFENDER 110 1987 onwards

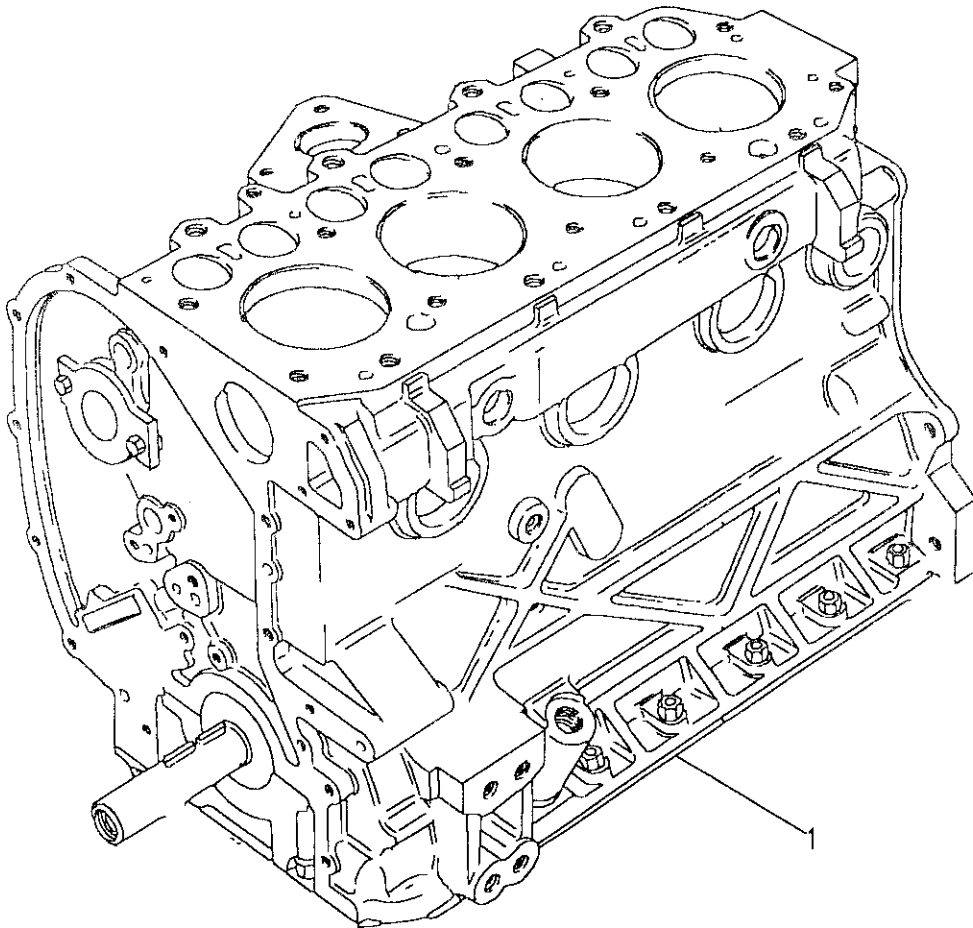
21

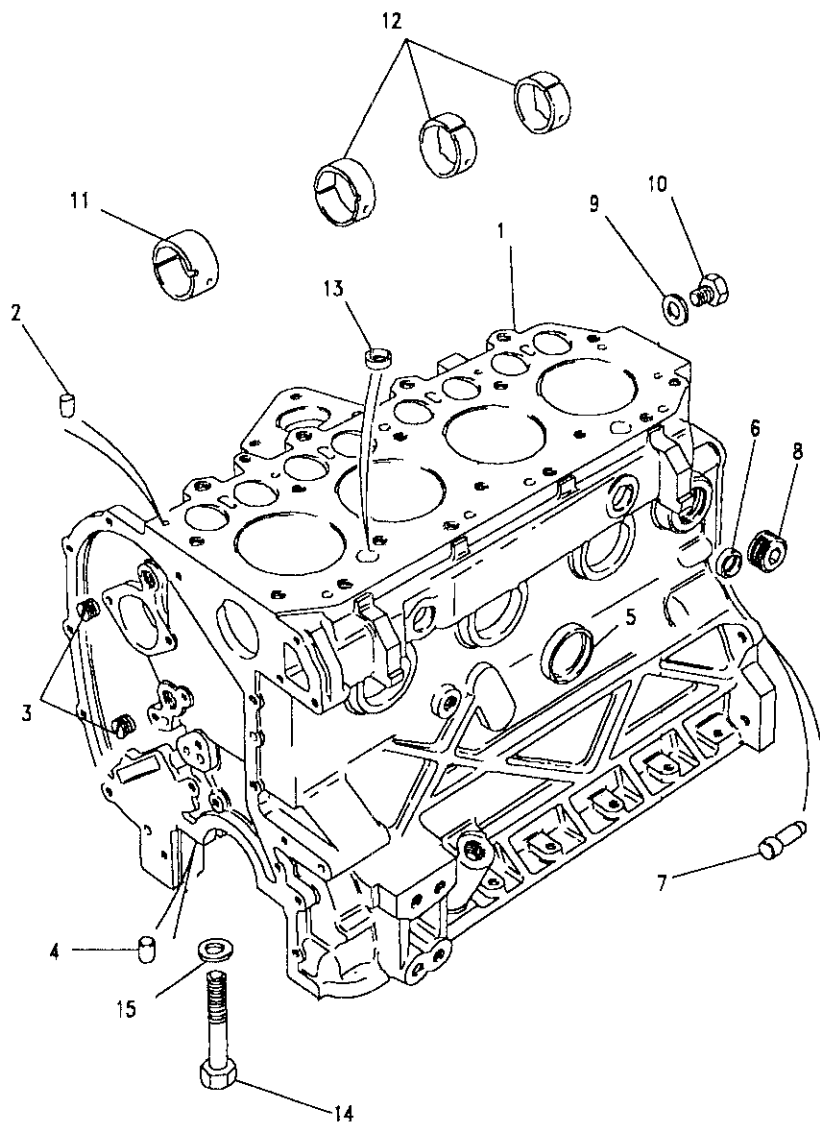
ENGINE

Model DEFENDER 110 1987 onwards  
Page AFBFAE1A

ENGINE - ENGINE SHORT - 2.5 PETROL

III. Part No.	Description	Qty	Remarks
1 RTC6793	Engine short assembly	1	



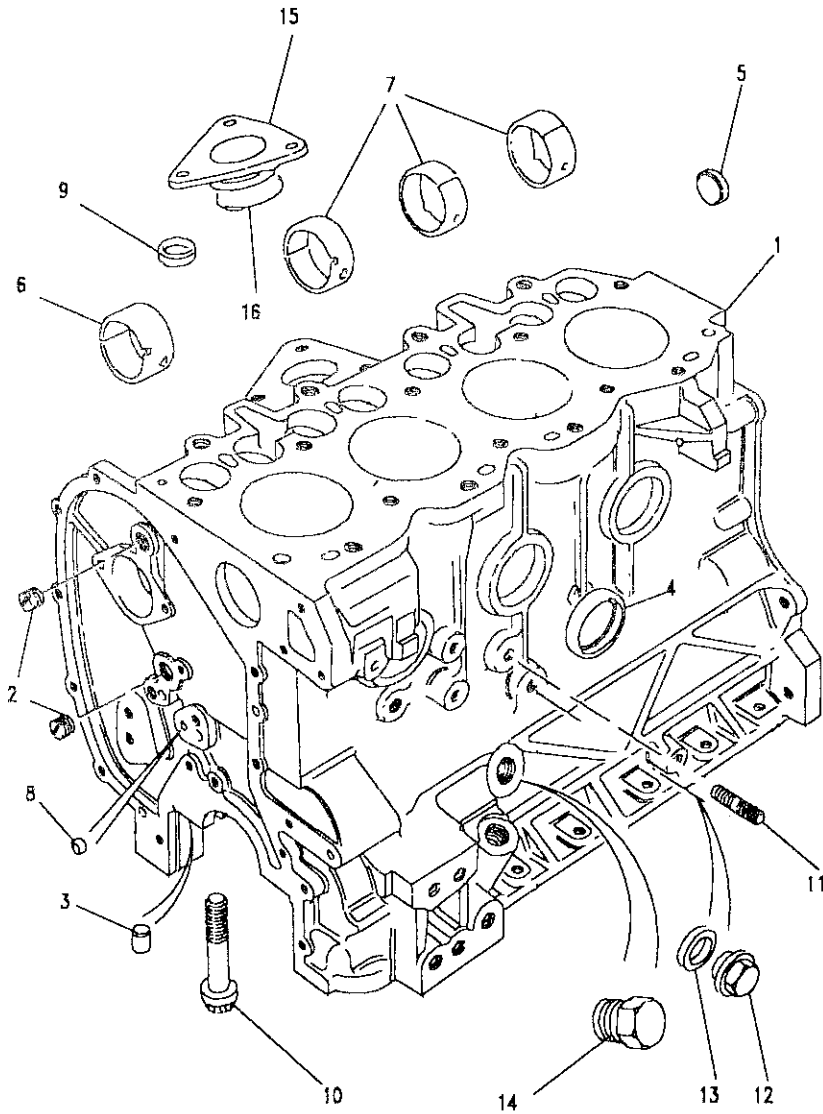


**Model** DEFENDER 110 1987 onwards  
**Page** AFBFBA1A

**ENGINE - CYLINDER BLOCK - 2.5 PETROL**

III. Part No.	Description	Qty	Remarks
1	RTC3985	1	Cylinder block assembly
2	247965	1	Plug-tappet hole feed
3	247127	2	Plug-oil gallery
4	501593	10	Dowel-bearing cap
5	ERC4996	6	Cup plug-side/ends
6	597586	3	Cup plug-water rail
7	ERC4644	2	Dowel-flywheel housing
8	527269	1	Plug-immersion heater
9	243959	2	Washer joint
10	ETC4922	2	Plug-gallery pipe
11	90519054	1	Bearing-camshaft-front
12	90519055	3	Bearing-camshaft-inter/R
13	ERC4995	2	Cup plug-top
14	ETC7596	10	Bolt flanged head
15	504006	10	Washer-main bearing cap
	ERR5034	3	Plug-camshaft oil feed

Note(1) This block used up to 17H25700C



**Model** DEFENDER 110 1987 onwards  
**Page** AFBFBA2A

**ENGINE - CYLINDER BLOCK - 2.5 PETROL**

III. Part No.	Description	Qty	Remarks
1 ERR477	Cylinder block assembly	1	Note(1)
2 247127	Plug-oil gallery	3	
3 501593	Dowel-bearing caps	10	
4 ERC4996	Cup plug-sides/ends	6	
5 597586	Cup plug-water rail ends	3	
6 ETC8442	Bearing-camshaft front	1	
7 90519055	Bearing-camshaft inter/R	3	
8 ETC4529	Cup plug	1	
9 ERC4995	Cup plug	2	
10 ETC8074	Bolt-main bearing cap	10	
11 TE108031L	Stud-starter motor	1	
12 ETC5577	plug drain	1	
13 213961	Washer joint	1	
14 ETC8362	Plug-turbo drain	1	
15 ERR586	Adaptor-cylinder block	1	
16 ERR531	O ring-adaptor	1	
ERC9188	Liner cylinder	4	
ERR5034	Tapered plug	3	

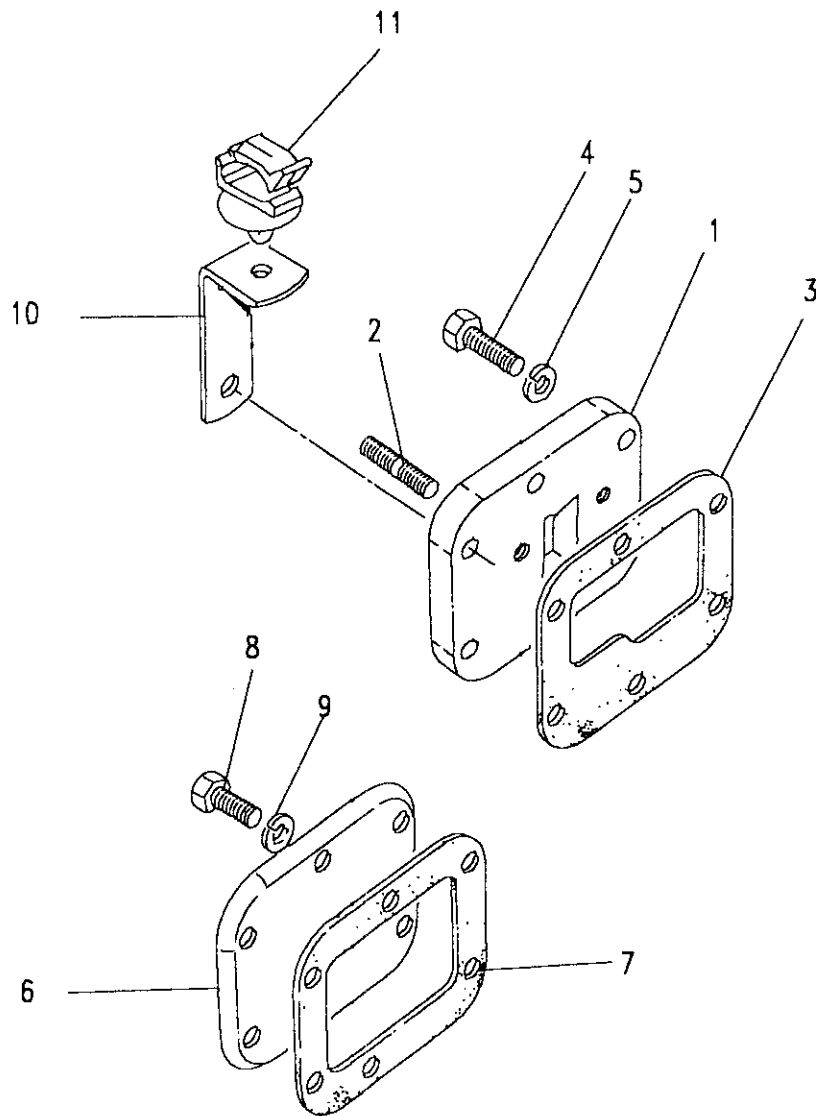
Note(1) This block used from 17H25701C





**Model** DEFENDER 110 1987 onwards  
**Page** AFBFBC1A

**ENGINE - SIDE COVERS - 2.5 PETROL**



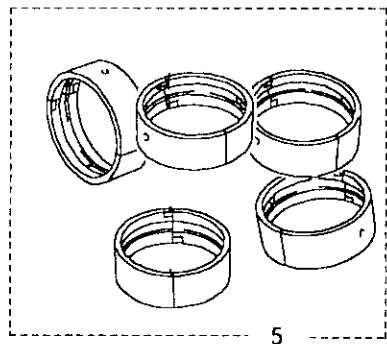
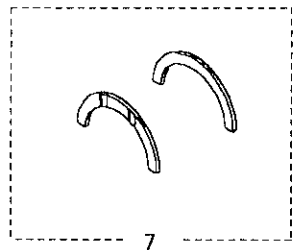
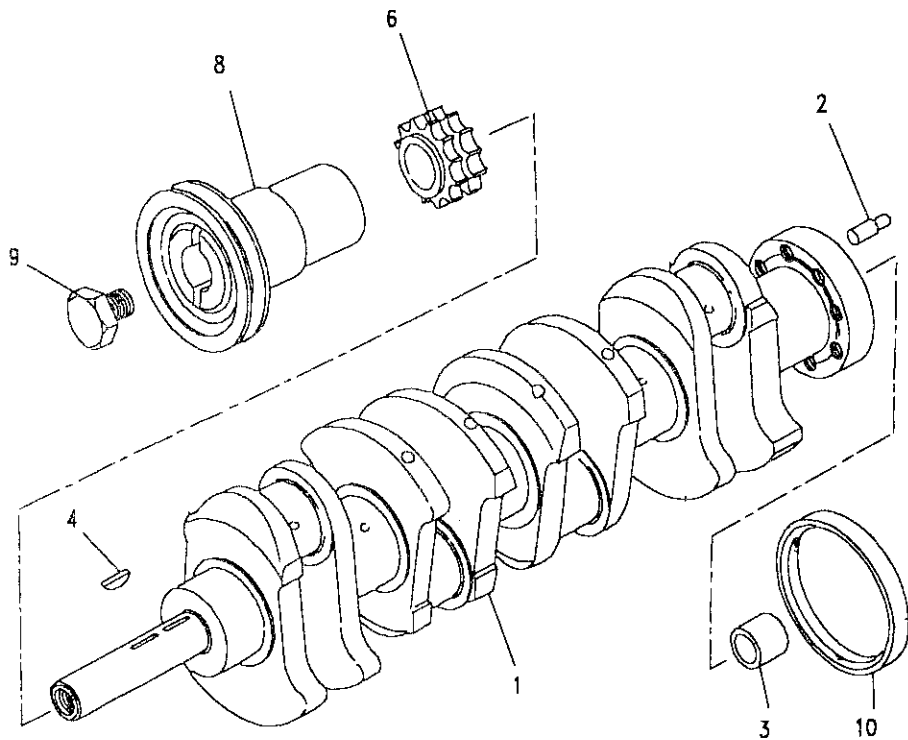
III. Part No.	Description	Qty	Remarks
1	ETC4799	1	Plate cover
2	TE108041L	2	Stud
3	247554	1	Washer joint
4	FS108201L	6	Screw flanged
5	WL108001L	6	Washer spring
6	ERC2869	1	Cover side front
7	ERR3605	1	Gasket side cover engine
8	FS108201L	6	Screw flanged
9	WL108001L	6	Washer spring
10	ERC9480	1	Bracket
11	AFU1090L	1	Clip



DEFENDER 110 1987 onwards

25

ENGINE

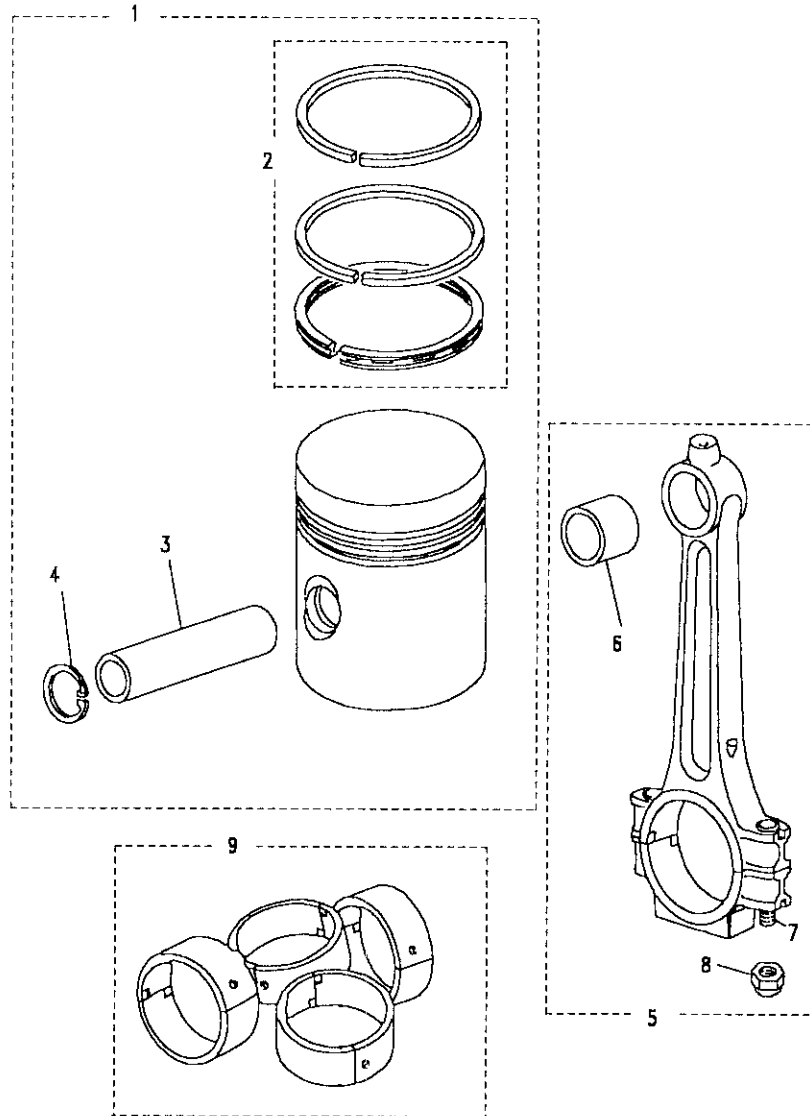


Model DEFENDER 110 1987 onwards  
Page AFBFCA1A

ENGINE - CRANKSHAFT - 2.5 PETROL

Ill. Part No.	Description	Qty	Remarks
1	ETC8829 ERR1181 Crankshaft	1	
2	ERC4658 Dowel	1	FromAUG1989
3	8566L Bush	1	
4	235770 Key-chainwheel	1	
5	RTC2992 RTC299210 RTC4783 RTC478310 Bearing set main	A/R	Upto17H25700C
		A/R	
		1	From17H25701C
		1	
6	568333 Chainwheel	1	
7	RTC2825 538131 538132 538134 Washer thrust standard	A/R	
		A/R	
		A/R	
		A/R	
8	ERC5349 ERC5128 ERC5127 ERC7089 Pulley BASIC	1	
		1	
		1	
		1	
9	ETC7934 ERR605 ERR705 Bolt-crankshaft pulley	1	
		1	)FromAUG1989
		1	)
10	ERR1535 Washer thrust-crankshaft Seal oil main	1	





**Model** DEFENDER 110 1987 onwards  
**Page** AFBFCC1A

**ENGINE - PISTON AND RINGS - 2.5 PETROL**

III. Part No.	Description	Qty	Remarks
1	RTC4734S	4	Piston assembly
	RTC473420	4	Piston assembly 0.020"o/s
2	STC199	4	Kit piston ring std
	STC19920	4	Kit piston ring o/s
3	ETC5994	4	Gudgeon pin
4	265175	8	Circlip
5	ERR595	4	Con rod
6	528004	4	Bush
7	ETC7357	8	Bolt
8	ETC8191	8	Nut conn rod

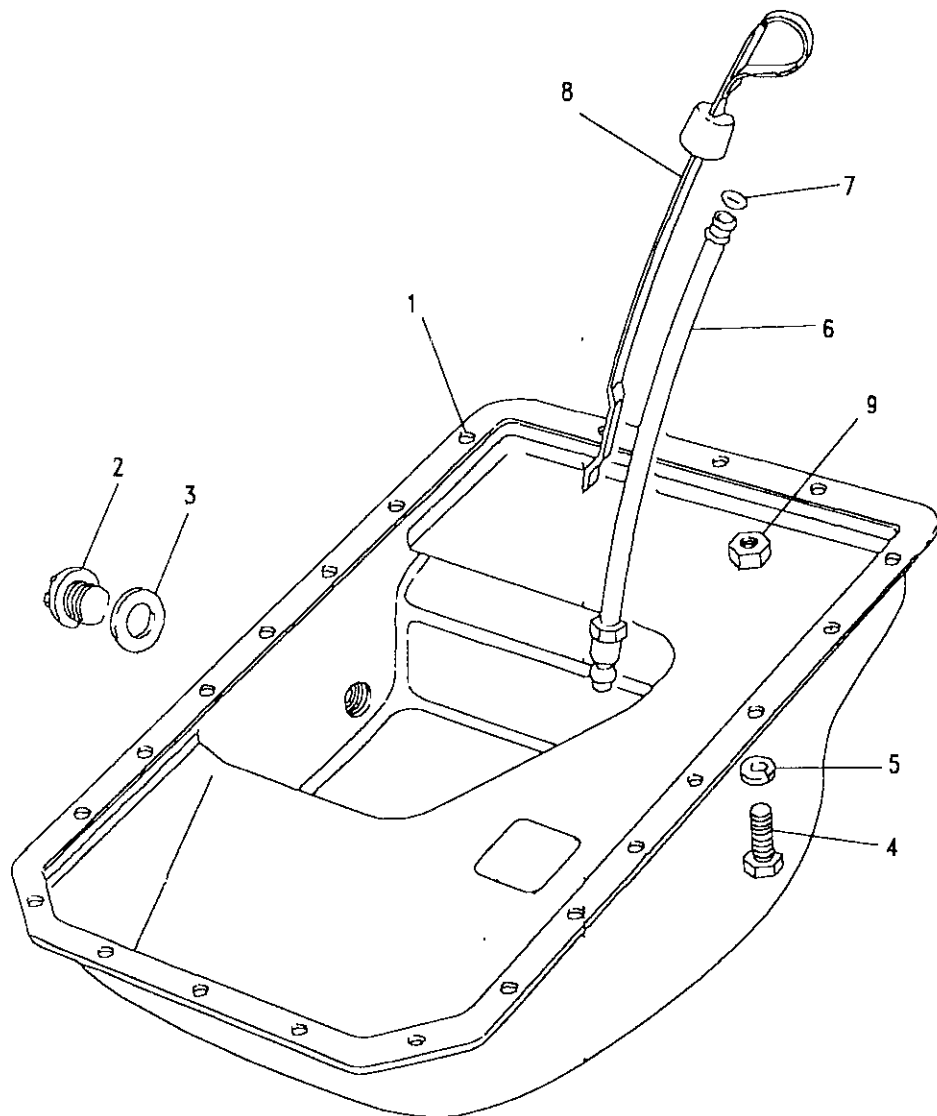
**Con Rod Bearing: Engine Set**

9	RTC2993	1	Bearing set big end
	RTC299310	1	Bearing set big end o/s

**Model** DEFENDER 110 1987 onwards  
**Page** AFBFDA1A

**ENGINE - SUMP - 2.5 PETROL**

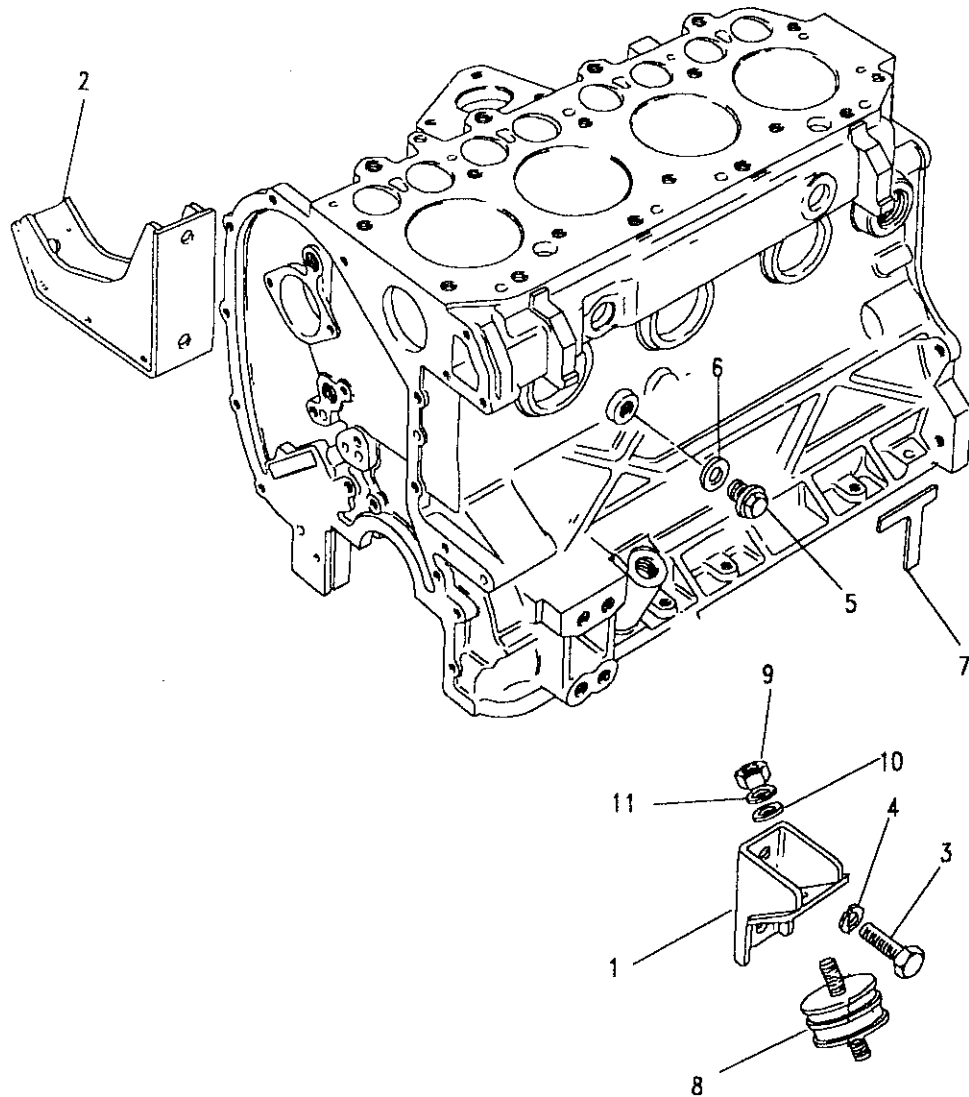
III. Part No.	Description	Qty	Remarks
1	ERR4716	1	Sump
2	599552	1	Plug drain
3	FRC4808	1	Washer joint
4	SH108161L	22	Screw
5	WL108001L	22	Washer spring
6	ERC8980	1	Tube-dipstick
7	532387	1	Ring sealing
8	ETC7867	1	Dipstick
9	NH108041L	1	Nut M8



**Model** DEFENDER 110 1987 onwards  
**Page** AFBFDC1A

**ENGINE - ENGINE MOUNTINGS - 2.5 PETROL**

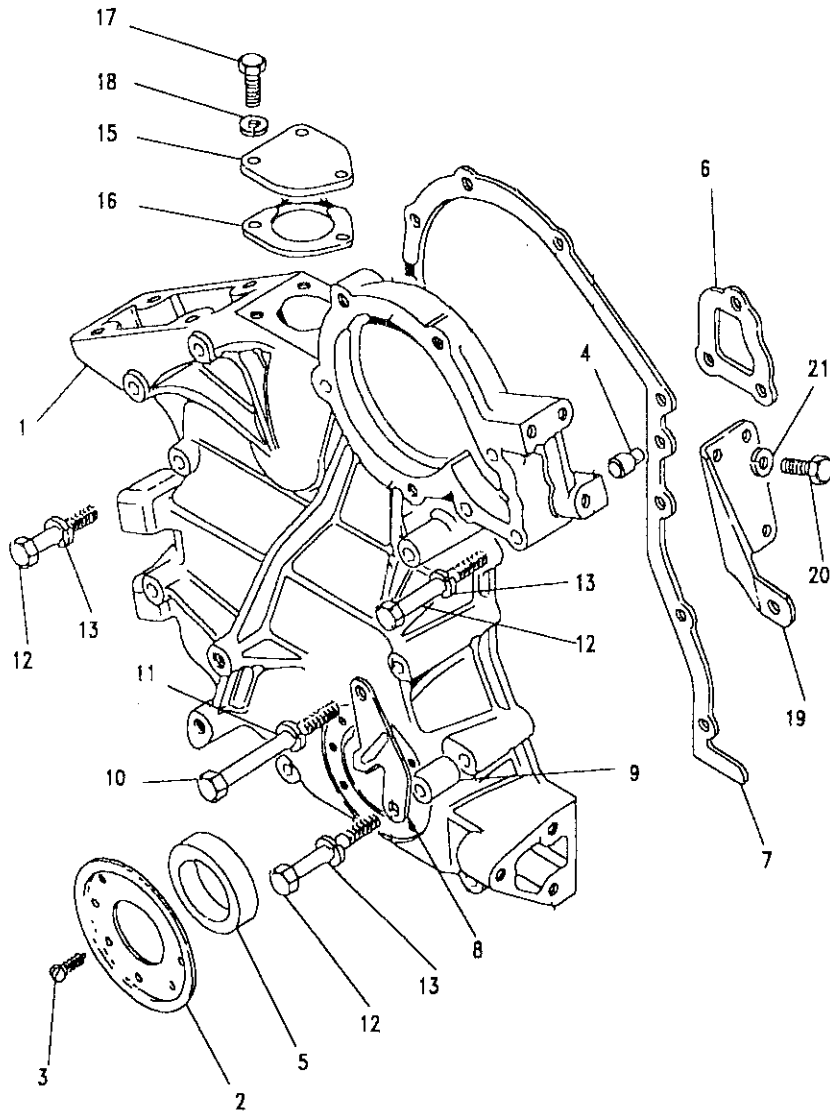
III. Part No.	Description	Qty	Remarks
1	NRC5434	1	Mounting foot-RH
2	NRC9557	1	Mounting foot-LH
3	SH112251L	4	Screw
4	WL112001L	4	Washer spring
5	ERC9410	1	Plug drain
6	AFU1882L	1	Washer joint-plug
7	ERC5086	2	Packing strip
8	ANR1808	2	Mounting rubber
9	NH110041L	4	Nut-rubber to foot
10	WC110061L	2	Washer-rubber to foot
11	WL110001L	4	Washer-spring-rubber





Model DEFENDER 110 1987 onwards  
Page AFBFEA1A

ENGINE - FRONT COVER - 2.5 PETROL



III. Part No.	Description	Qty	Remarks
1	ETC6081	1	
	ETC7947	1	AIR CON
2	247766	1	
3	AB606061L	8	
4	6395L	2	
5	ETC5187	1	
6	ERR1607	1	
7	538039	1	
8	ERC5361	1	
9	ERC6869	1	
10	ERC8964	1	
11	WL108001L	1	
12	ETC4994	1	
	BH108151L	1	NON AIR CON
	BH108105L	6	
13	WL108001L	8	
	WA108051L	1	
12	ETC4995	1	
	ERC9468	1	
	BH108131L	1	
	BH108151L	1	
	BH108105L	2	
	BH108201L	1	
	ERC8964	2	AIR CON
13	WL108001L	9	
14	NH108041L	1	
15	574469	1	
16	542636	1	
17	FS106201L	3	
18	WL106001L	3	

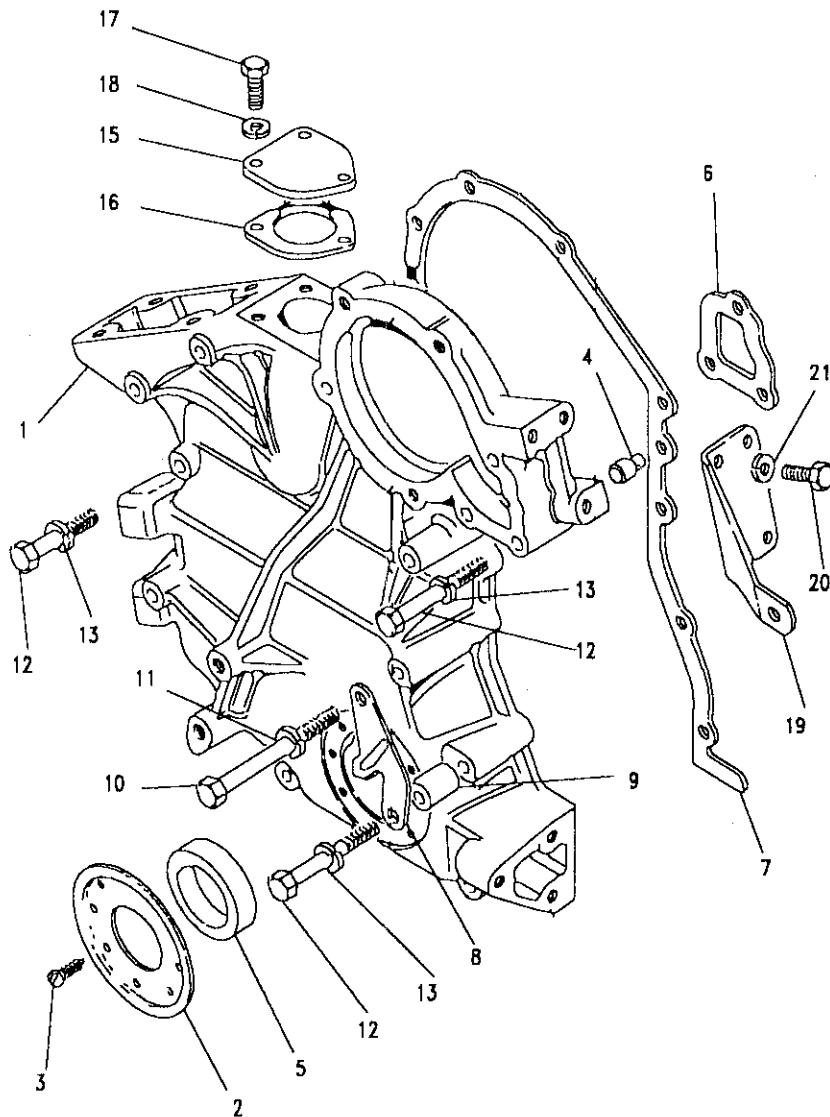




Model DEFENDER 110 1987 onwards  
Page AFBFEA1A

ENGINE - FRONT COVER - 2.5 PETROL

III. Part No.	Description	Qty	Remarks
19	ERC6479	1	
20	FS108201L	3	
21	WL108001L	3	
ERC9404	Bracket-harness clip	2	) Alternatives
AFU1090L	Clip	2	
SH108161L	Screw	2	)
RTC3772	Tie cable	2	





DEFENDER 110 1987 onwards

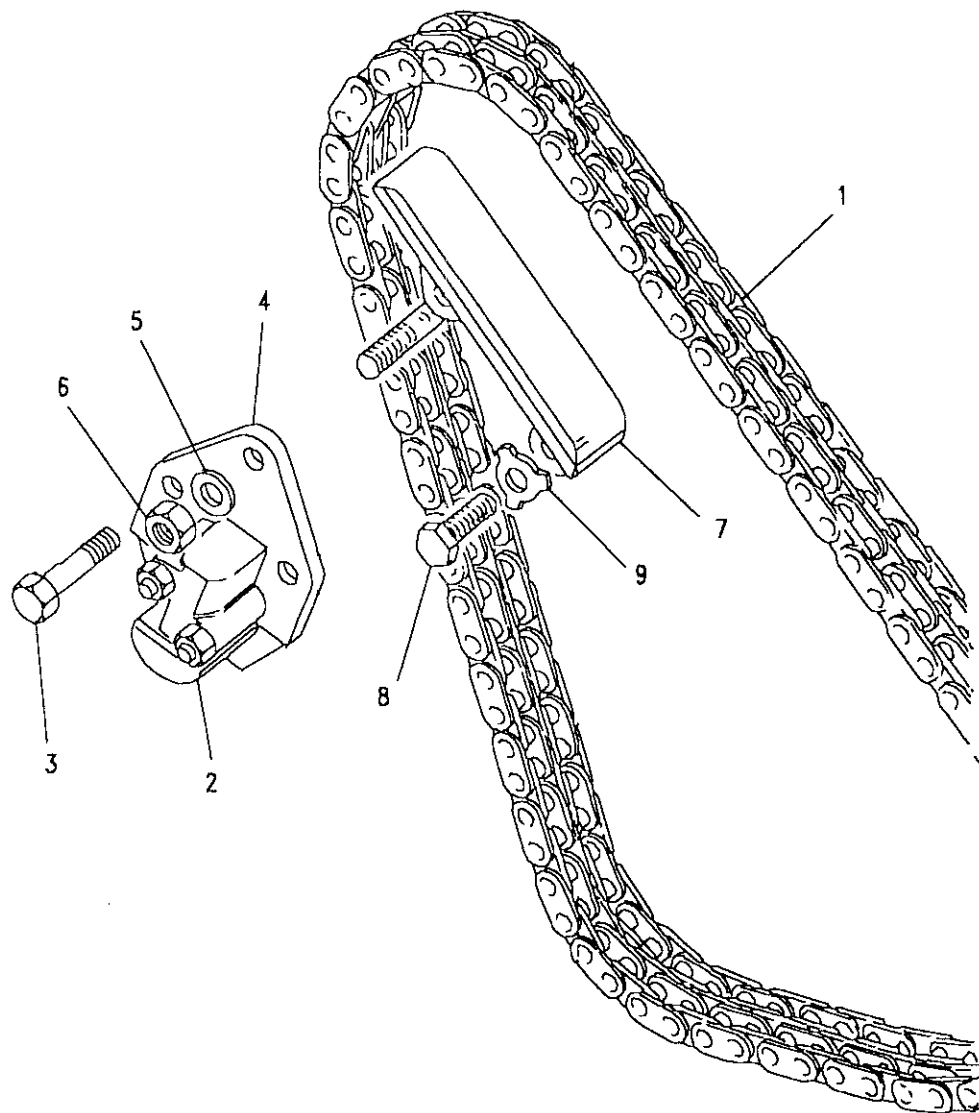
31

ENGINE

Model DEFENDER 110 1987 onwards  
Page AFBFEC1A

ENGINE - TIMING CHAIN - 2.5 PETROL

III. Part No.	Description	Qty	Remarks
1 ETC5191	Chain timing	1	
2 ETC5190	Tensioner-timing chain	1	
3 FS108201L	Screw flanged	2	
4 TE108051L	Stud	1	
5 WA108051L	Washer	3	
6 NH108041L	Nut	1	
7 275234	Damper vibration	1	
8 SH106121L	Screw	2	
9 557523	Washer lock	2	



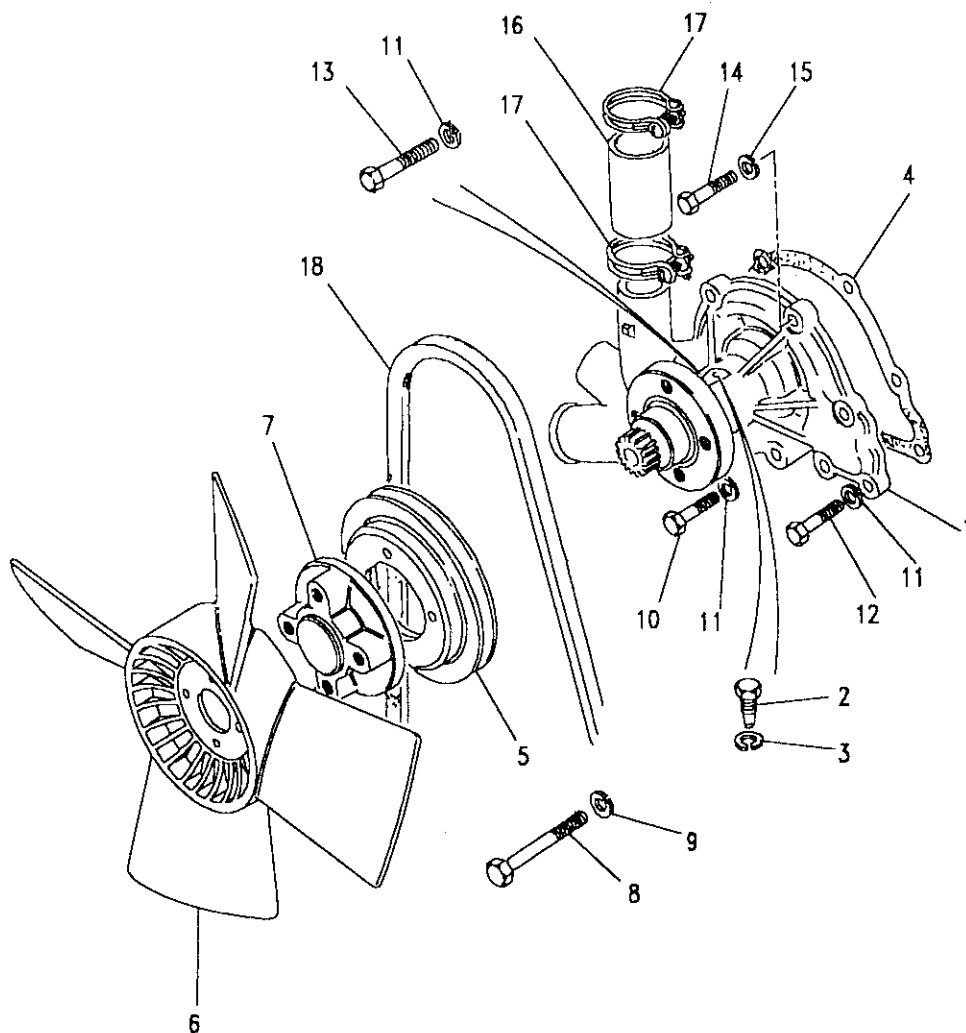


Model DEFENDER 110 1987 onwards

Page AFBFEE1A

ENGINE - WATER PUMP - 2.5 PETROL - BASIC

III. Part No.	Description	Qty	Remarks
1	STC637	1	Pump water
2	ERC5600	1	Screw special
3	WL106001L	1	Washer spring
4	ERC5655	1	Gasket
5	ERC5578	1	Pulley-single groove
6	ERC5545	1	Fan assembly
7	ERC7489	1	Spacer
8	FB108111L	4	Bolt flanged
9	WL108001L	4	Washer spring
10	BH108161L	2	Bolt-pump to block
11	WL108001L	4	Washer spring
12	BH108171L	1	Bolt-pump to block
13	BH108151L	1	Bolt-pump to block
14	FS108301L	3	Bolt
15	WL108001L	3	Washer spring
16	ERC5654	1	Hose-by pass to outlet
17	CN100408L	2	Clip hose
18	ETC7939	1	Belt fan

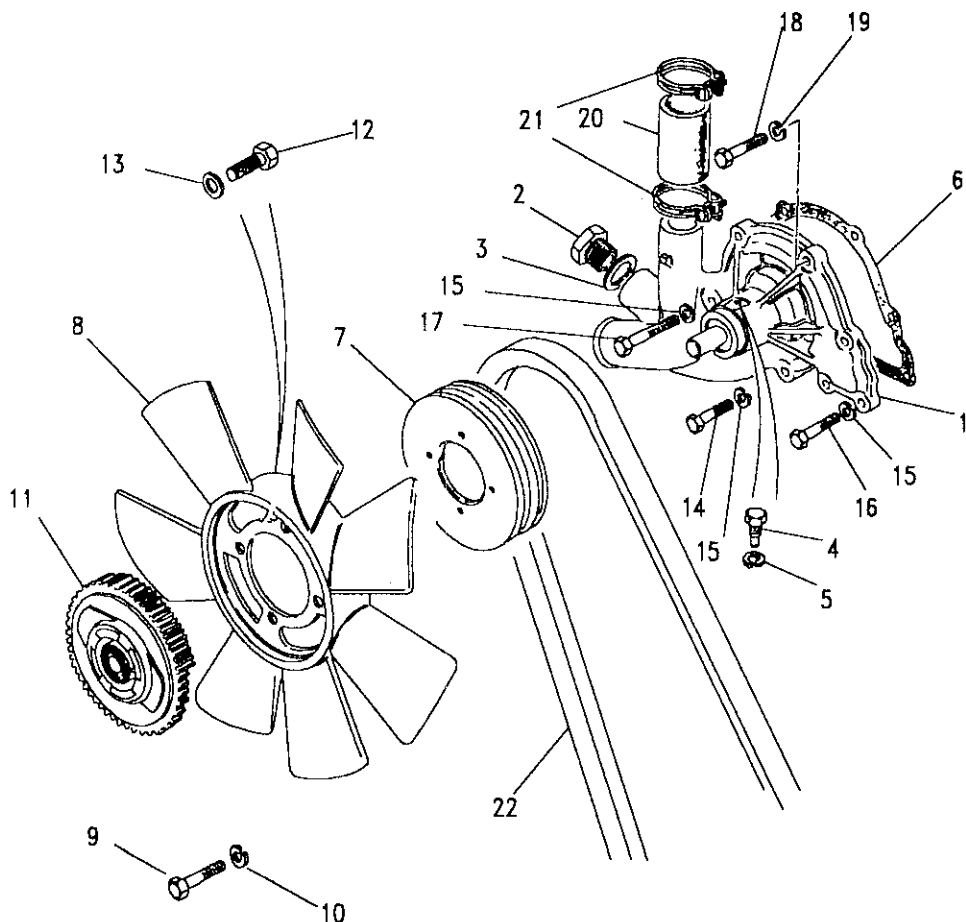


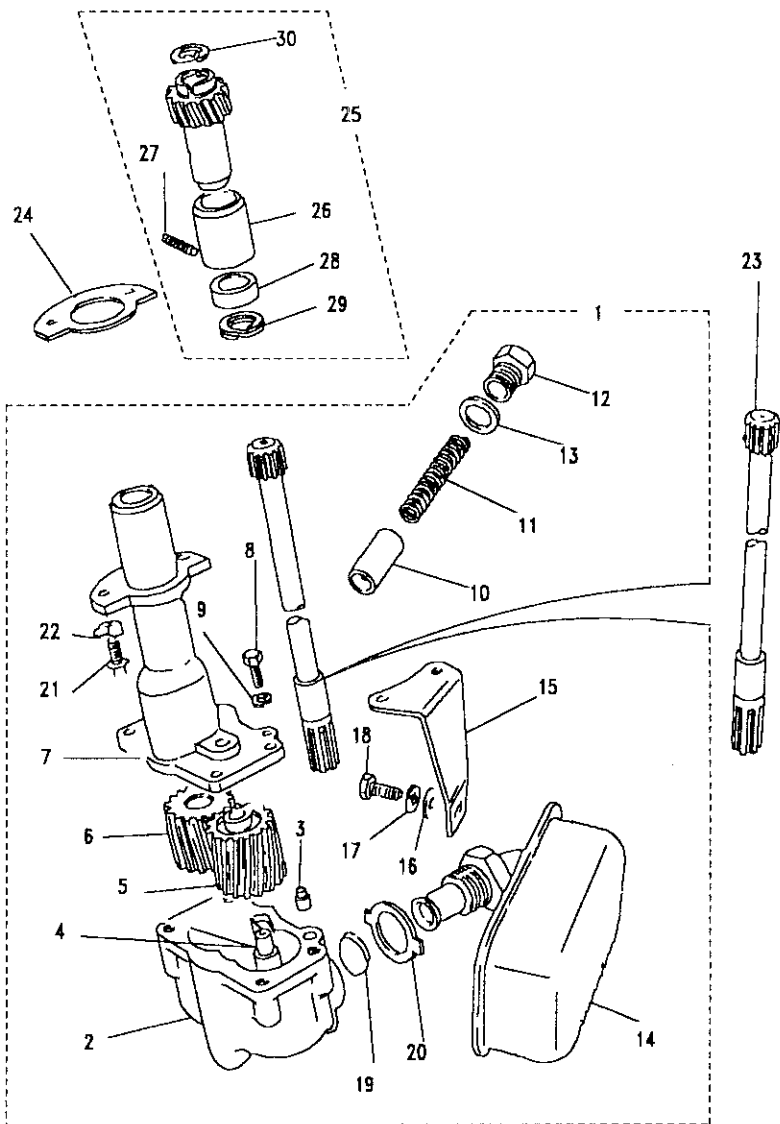
Model DEFENDER 110 1987 onwards

Page AFBFEE2A

ENGINE - WATER PUMP - 2.5 PETROL - AIR CONDITIONING

III. Part No.	Description	Qty	Remarks
1	STC640	1	A133Alternator
	STC635	1	A127Alternator
2	ERC7312	1	
3	232046	1	
4	ERC5600	1	
5	WL106001L	1	
6	ERC5655	1	
7	ERC8890	1	
8	ERC7834	1	
9	BH106051L	4	
10	WL106001L	4	
11	ERC5708	1	
12	ERC5709	4	
13	4589L	4	
14	BH108161L	2	
15	WL108001L	4	
16	BH108171L	1	
17	BH108151L	1	
18	BH108161L	3	
19	WL108001L	3	
20	ERC5654	1	
21	CN100408L	2	
22	ETC7939	1	



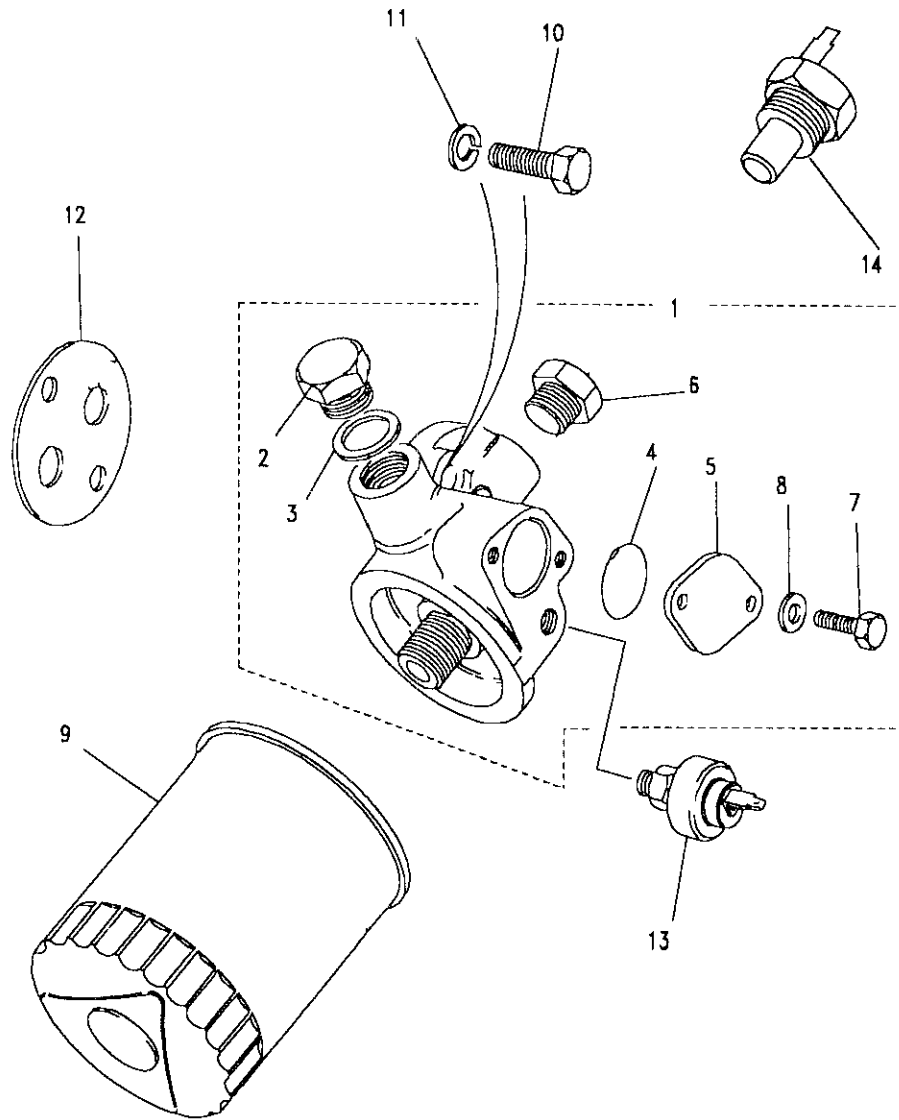


Model DEFENDER 110 1987 onwards

Page AFBFFA1A

ENGINE - OIL PUMP - 2.5 PETROL

III. Part No.	Description	Qty	Remarks
1	ERR1117	1	Pump oil assembly
2		1	Body oil pump assembly
3	236257	2	Dowel
4	ERR1063	1	Spindle idler wheel
5	ERR1088	1	Wheel idler
6	ERC9706	1	Wheel driver
7		1	Cover oil pump
8	FS108201L	4	Screw flanged
9	WL108001L	4	Washer spring
10	ETC4880	1	Plunger-oil relief
11	564456	1	Spring-oil relief
12	564455	1	Plug end-oil relief
13	232044	1	Washer joint-oil relief
14	ERC7530	1	Filter
15	ERC7940	1	Bracket support
16	WA108051L	1	Washer-filter
17	WL108001L	1	Washer spring
18	FS108201L	1	Screw flanged
19	244488	1	'O'ring
20	244487	1	Lock washer
21	SH108251L	2	Bolt
22	247665	2	Lock washer
23	ERR850	1	Shaft
24	ERR3606	1	Gasket oil pump
25	ETC6139	1	Drive assembly
26	522745	1	Bush
27	ETC6142	1	Locating screw
28	ETC6137	1	Washer thrust
29	ETC6138	1	Locking ring
30	247742	1	Circlip



**Model** DEFENDER 110 1987 onwards  
**Page** AFBFFA2A

**ENGINE - OIL FILTER - 2.5 PETROL**

III. Part No.	Description	Qty	Remarks
1	ETC5347	1	Note(1)
2	RTC6851	1	
3	213961	1	
4	ERC5913	1	
5	ERC9884	1	
6	ETC4021	1	Note(2)
7	SH106141L	2	
8	WA106041L	2	
9	ERR3340	1	
10	SH110301L	2	
11	WL110001L	2	
12	ERR4934	1	
13	PRC6387	1	
14	PRC2505	1	Note(2)

Note(1)  
Note(2)

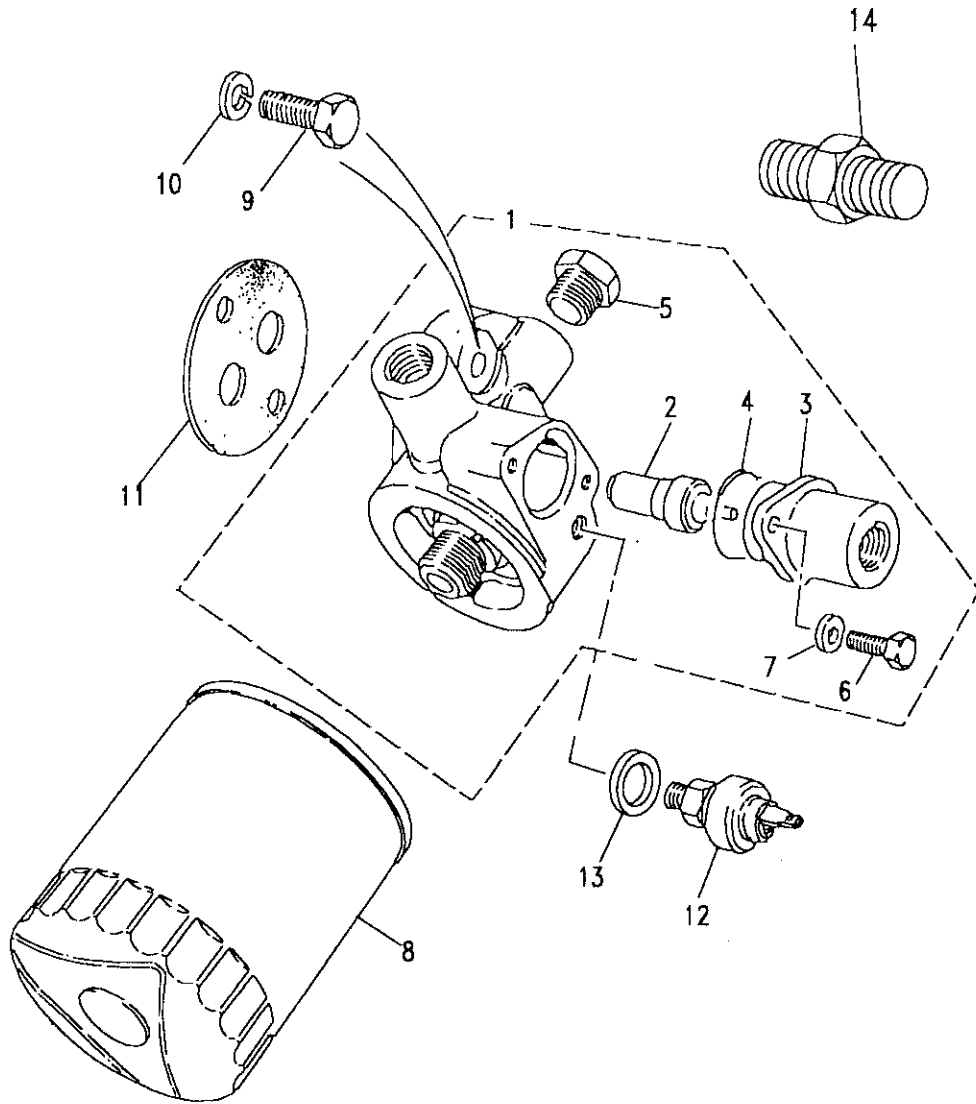
ETC5347 is interchangeable with ETC6519(includes filter)  
Remove ETC4021 when fitting PRC2505

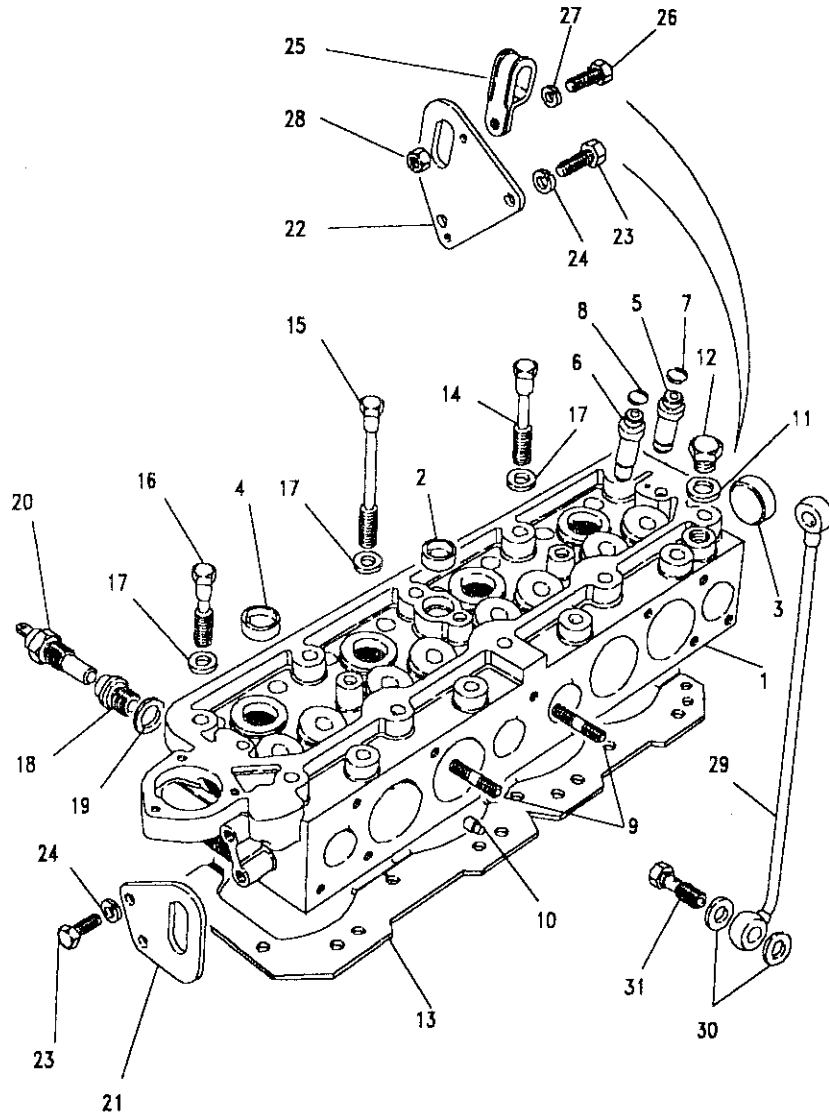
Model DEFENDER 110 1987 onwards  
 Page AFBFFA3A

ENGINE - OIL FILTER WITH OIL COOLER - 2.5 PETROL

Ill. Part No.	Description	Qty	Remarks
1	ERR1347	1	Adaptor assembly filter
2	ERC5923	1	Bulb thermostat
3	ETC4022	1	Adaptor
4	ERC5913	1	O ring
5	ETC4021	1	Plug Note(1)
6	SH106141L	2	Screw
7	WA106041L	2	Washer
8	ERR3340	1	Element-oil filter
9	SH110301L	2	Screw-filter to block
10	WL110301L	2	Washer-filter to block
11	ERR4934	1	Gasket oil filter housing
12	PRC6387	1	Switch-oil pressure
13	232039	1	Washer joint-switch
14	NRC8618	1	Coupling
	PRC2505	1	Transmitter-oil temp Note(1)

Note(1) Remove ETC4021 when fitting PRC2505





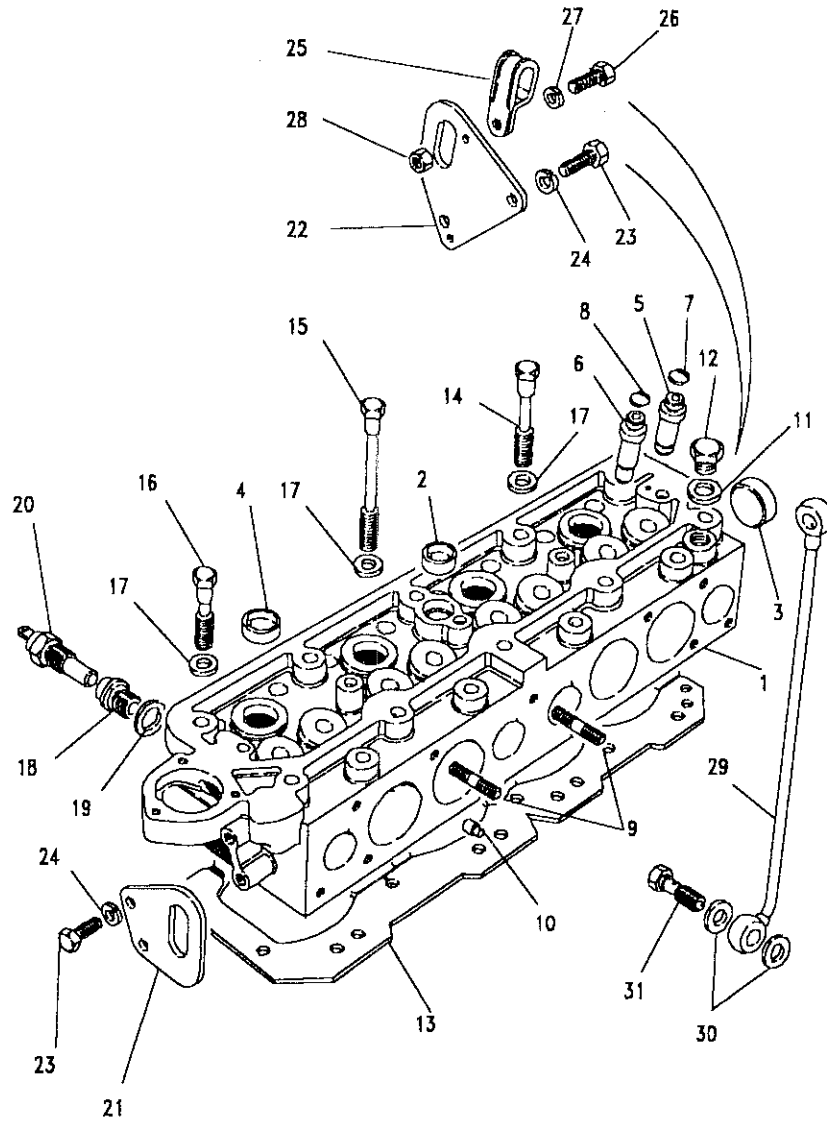
**Model** DEFENDER 110 1987 onwards  
**Page** AFBFGA1A

**ENGINE - CYLINDER HEAD - 2.5 PETROL**

III. Part No.	Description	Qty	Remarks
1	ETC5412	1	Cylinder head assembly
2	525497	1	Cup plug
3	524765	1	Cup plug
4	549702	4	Cup plug
5	568686	4	Guide valve-inlet
6	568687	4	Guide valve-exhaust
	ETC6278	4	Insert-valve seat
7	ERR1510	4	Seal-inlet valve
8	ETC4751	4	Seal-exhaust valve
9	TE108051L	3	Stud
10	213700	2	Dowel
11	AFU1890L	1	Washer joint
12	ERC9448	1	Plug
13	ERC6380	1	Gasket
14	247051	9	Bolt 4.562"
15	279648	4	Bolt 2.312"
16	554621	5	Bolt 4.125"

Model DEFENDER 110 1987 onwards  
 Page AFBFGA1A

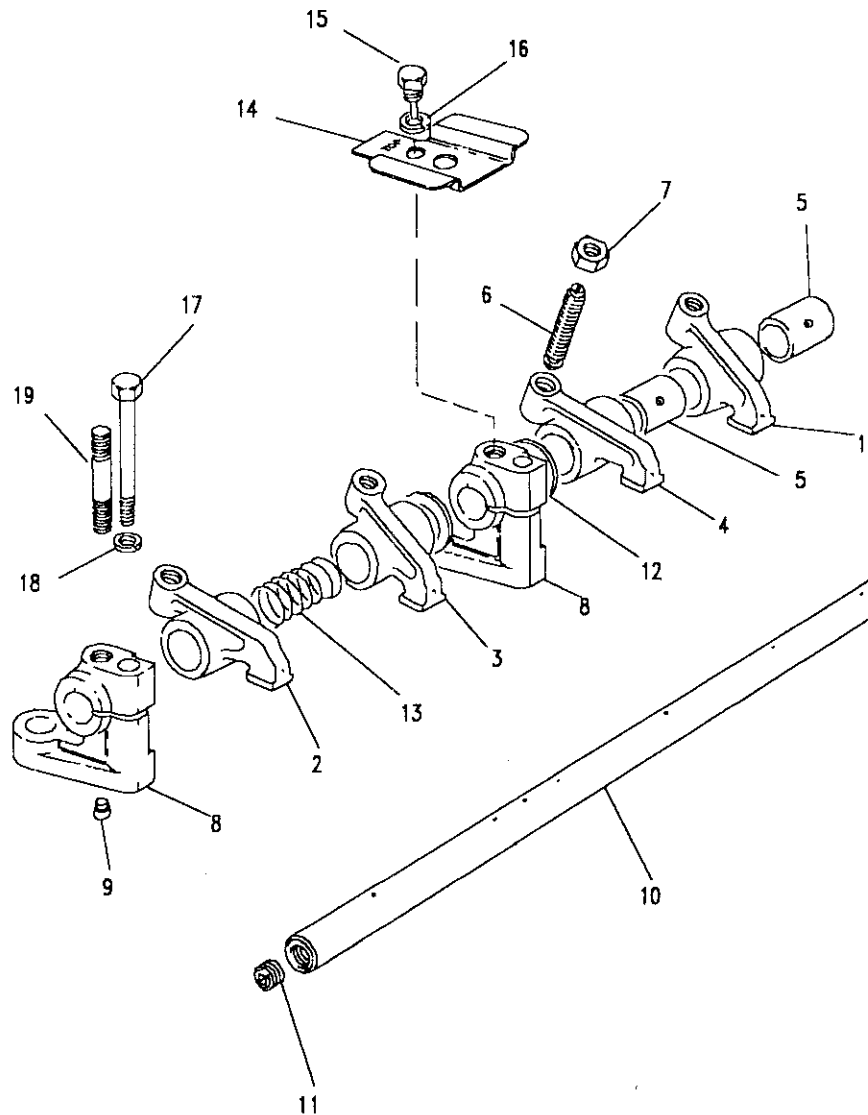
ENGINE - CYLINDER HEAD - 2.5 PETROL



III. Part No.	Description	Qty	Remarks
17 ERC6821	Washer	18	
18 ERC8973	Adaptor-water temp	1	UptoAPRIL1989
19 AFU1890L	Washer joint	1	
20 PRC2505	Transmitter water	1	UptoAPRIL1989
PRC6663	Transmitter water	1	FromAPRIL1989
21 ERC2254	Bracket lifting-front	1	
22 ETC7135	Bracket lifting-rear	1	
23 FS108201L	Screw flanged	4	
24 WL108001L	Washer spring	4	
25 543589	Clip	1	
26 SH104121L	Screw	1	
27 WA104001L	Washer	1	
28 NH104041L	Nut	1	
29 275679	Pipe oil feed	1	
30 ETC6510	Washer joint	4	
31 ETC4498	Bolt banjo	2	

**Model** DEFENDER 110 1987 onwards  
**Page** AFBFGC1A

**ENGINE - ROCKERS - 2.5 PETROL**



III. Part No.	Description	Qty	Remarks
1	ERC9103	2	Rocker arm assembly RH
2	ERC9102	2	Rocker arm assembly LH
3	ERC9107	2	Rocker arm assembly RH
4	ERC9106	2	Rocker arm assembly LH
5	247614	8	Bush
6	ERC9054	8	Screw adjusting
7	NT108041L	8	Locknut
8	ERC9138	5	Bracket pedestal
9	277956	3	Ring dowel
10	ERC6341	1	Shaft rocker
11	ERC6337	2	Plug
12	525389	6	Washer plain
13	247040	4	Spring
14	ERC9278	1	Baffle plate-breather
15	ETC4460	1	Screw-locating
16	WL108001L	1	Washer spring
17	BH108151L	5	Bolt
18	WL108001L	5	Washer spring
19	TE108081L	3	Stud



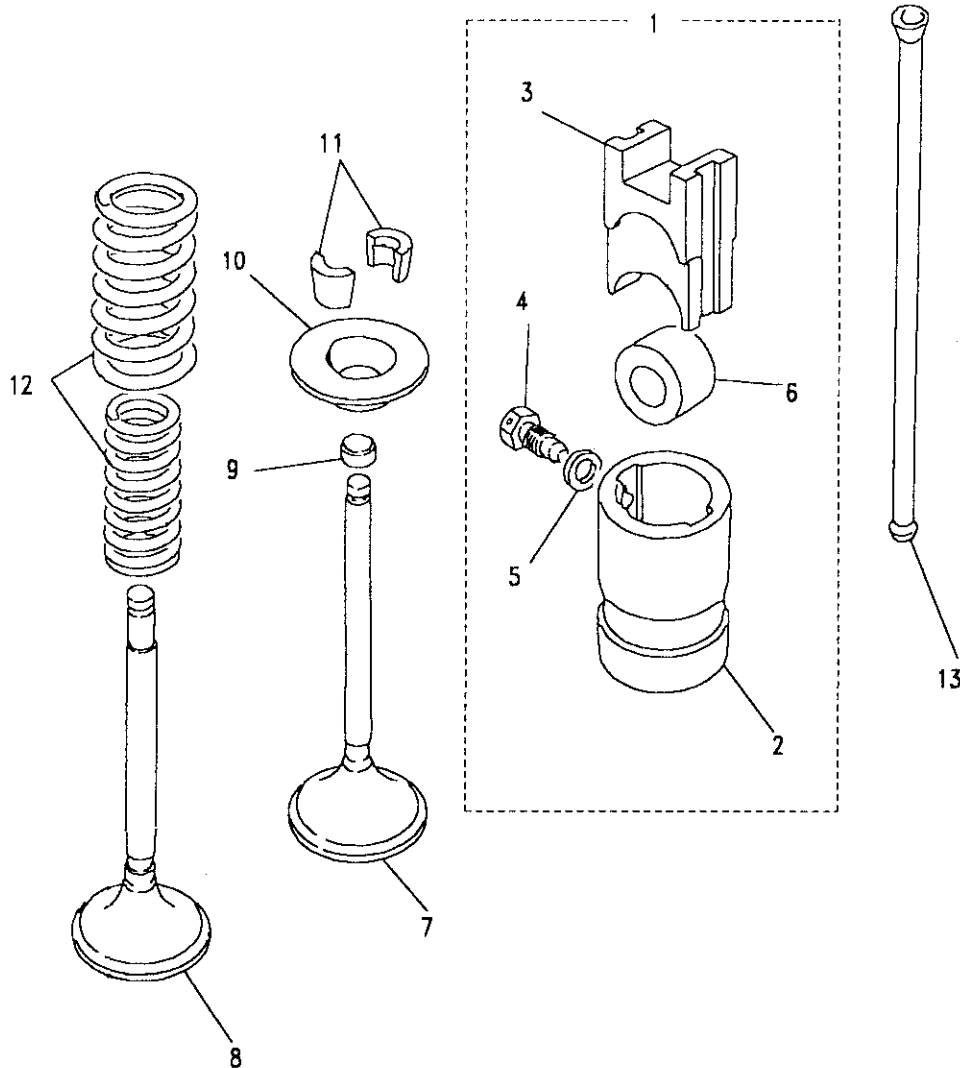
**Model** DEFENDER 110 1987 onwards

**Page** AFBFGE1A

**ENGINE - VALVES & TAPPETS - 2.5 PETROL**

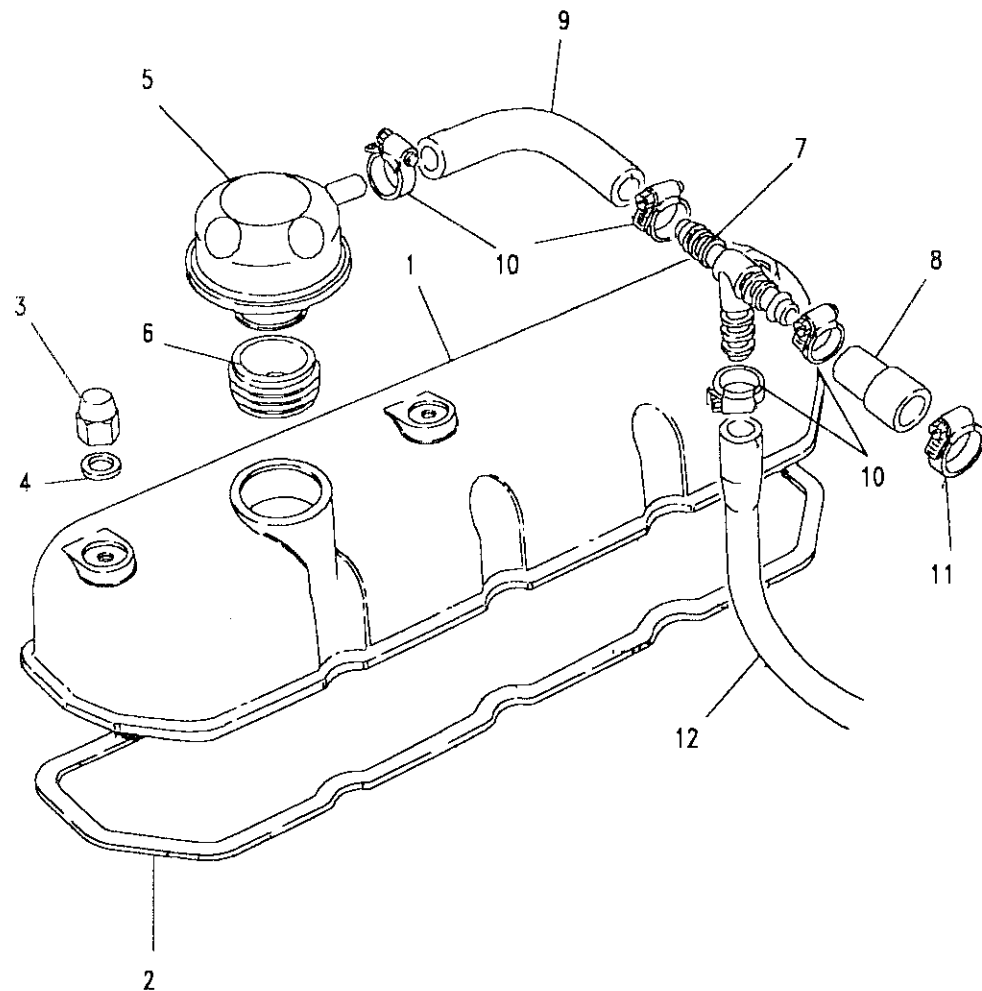
III. Part No.	Description	Qty	Remarks	
1	507829	8	Tappet assembly	
2	502473	8	Guide tappet	
3	ERR607	8	Tappet slide	
4	ETC4246	8	Bolt	
5	273069	8	Washer plain	
6	ERR561	8	Roller follower	
7	ETC4067	4	Valve inlet	
8	ETC5866	4	Valve exhaust	
9	ERR4175	8	Cap-valve stem protection	Note(1)
10	ETC4068	8	Cup-valve spring	
11	ETC4069	16	Cotter split halves	
12	ERR4640	8	Valve spring	
13	546798	8	Push rod	

Note(1) ERR1158 can be fitted if there is excessive wear on stem



**Model** DEFENDER 110 1987 onwards  
**Page** AFBFGG1A

**ENGINE - ROCKER COVER - 2.5 PETROL**



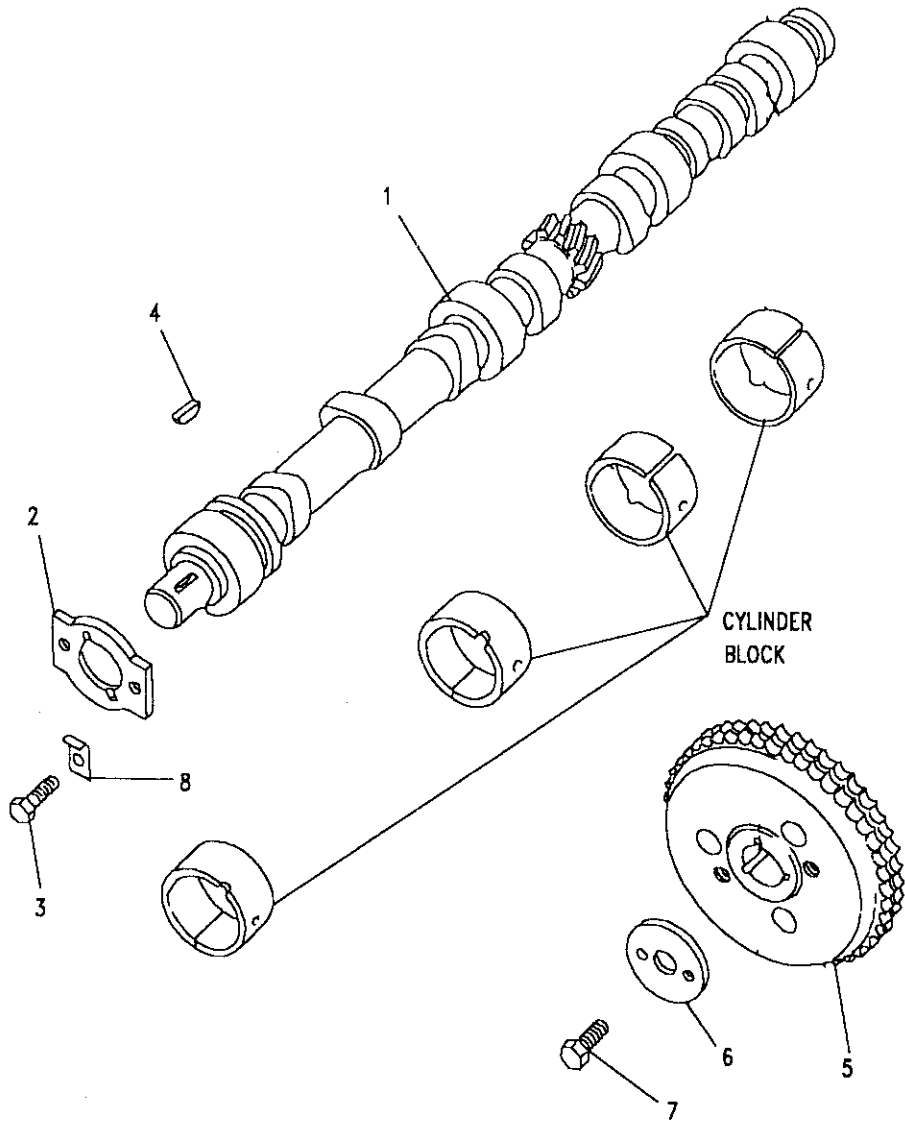
III. Part No.	Description	Qty	Remarks
1	ETC5955	1	Rocker cover
2	ERR4933	1	Gasket rocker cover
3	ERC9220	3	Nut domed
4	273069	3	Washer sealing
5	ERR1454	1	Breather silencer assy
6	ERR736	1	O ring breather
7	ERC6200	1	Tee piece
8	ERC9032	1	Hose-tee piece to elbow
9	ERC9031	1	Hose-rocker to tee piece
10	CN100208L	4	Clip-hose
11	CN100148L	1	Clip-hose
12	ERC9033	1	Hose-tee piece to carb

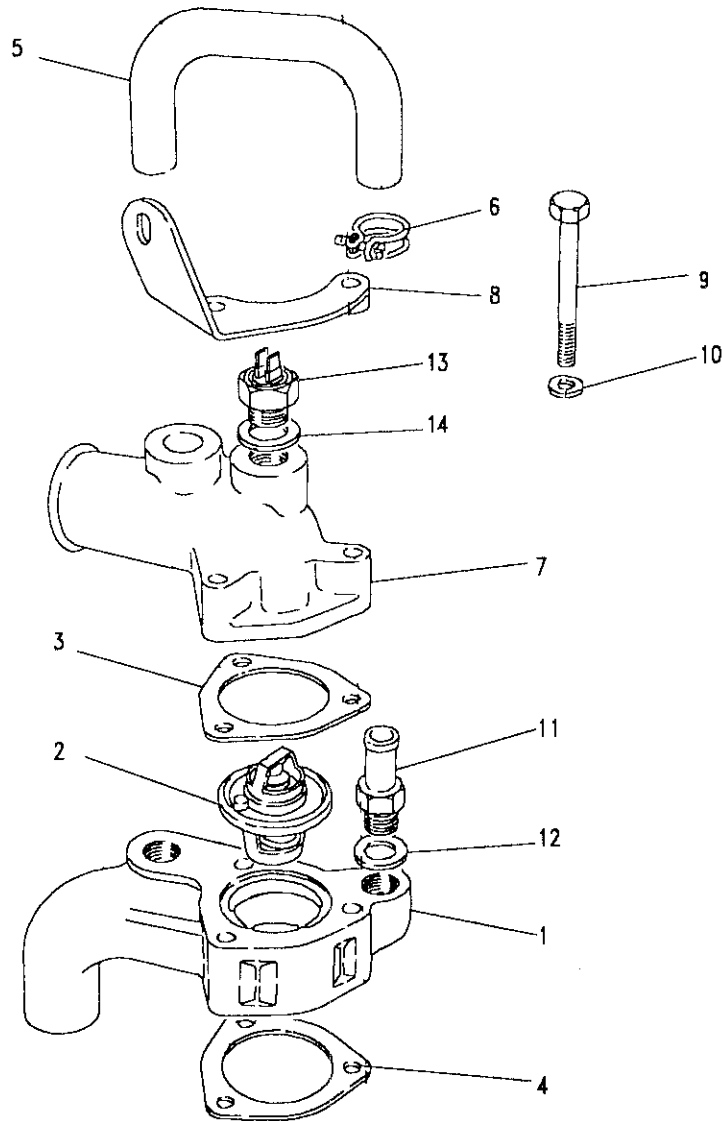
**Model** DEFENDER 110 1987 onwards

**Page** AFBFGI1A

**ENGINE - CAMSHAFT - 2.5 PETROL**

III. Part No.	Description	Qty	Remarks
1 ETC7128	Camshaft	1	
2 ERC1561	Plate thrust	1	
3 FS106167	Screw	2	
4 230313	Key woodruff	1	
5 ETC5172	Chainwheel	1	
6 ETC4140	Washer retaining	1	
7 BX110071L	Bolt retaining	1	
8 2995	Locker	2	

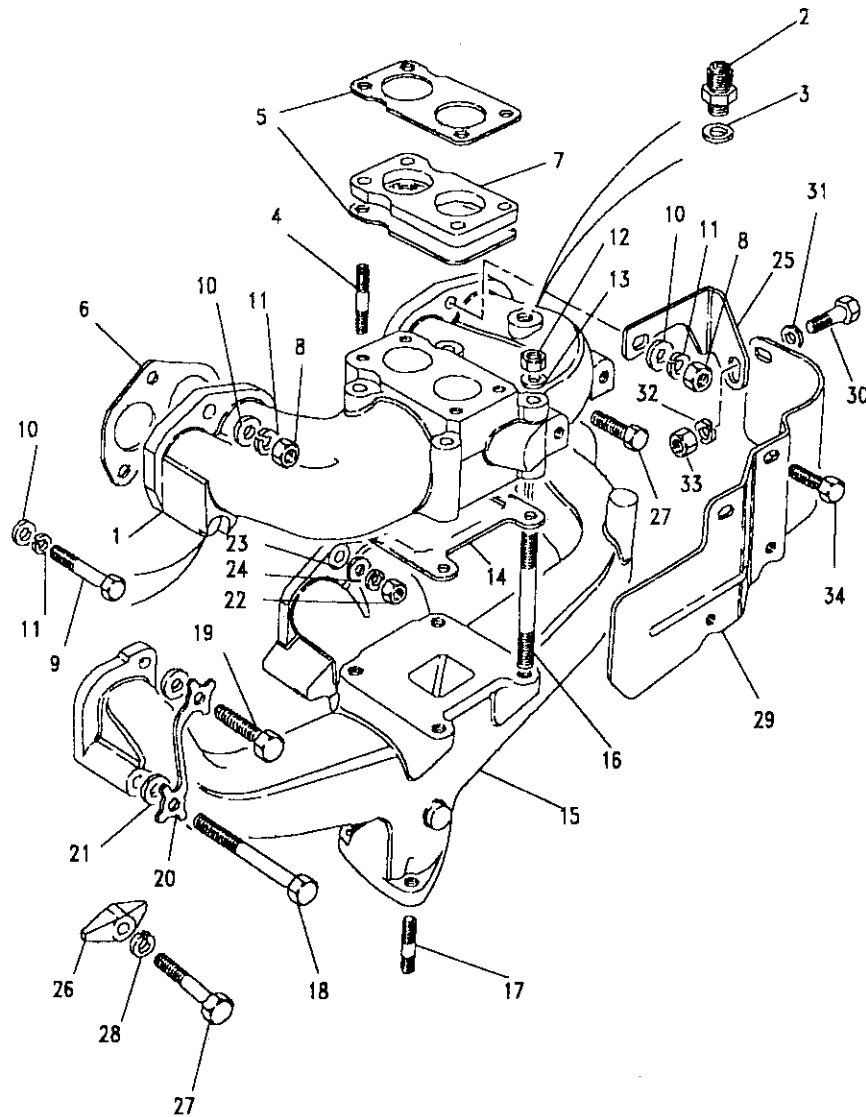




**Model** DEFENDER 110 1987 onwards  
**Page** AFBFGK1A

**ENGINE - THERMOSTAT HOUSING - 2.5 PETROL**

III. Part No.	Description	Qty	Remarks
1 ERC8758	Housing thermostat	1	
2 602687	Thermostat 82o	1	
ETC4761	Thermostat 74o	1	Optional
3 ERR3682	Gasket thermostat housing	1	
4 247874	Washer joint	1	
5 ERC7510	Hose-thermo housing	1	
6 CN100258L	Clip-Hose	2	
7 ETC5967	Water outlet connector	1	NON AIR CON
ETC5958	Water outlet connector	1	AIR CON
8 ETC5965	Bracket-cowl mounting	1	
9 BH106151L	Bolt	3	
10 WL106001L	Washer joint	3	
11 624091	Adaptor-thermo housing	2	
12 243959	Washer joint	2	
13 PRC3366	Switch-temp/sensor blue	1	)
PRC3541	Switch-Temp/sensor red	1	)AIR CON
14 C457593	Washer	2	)

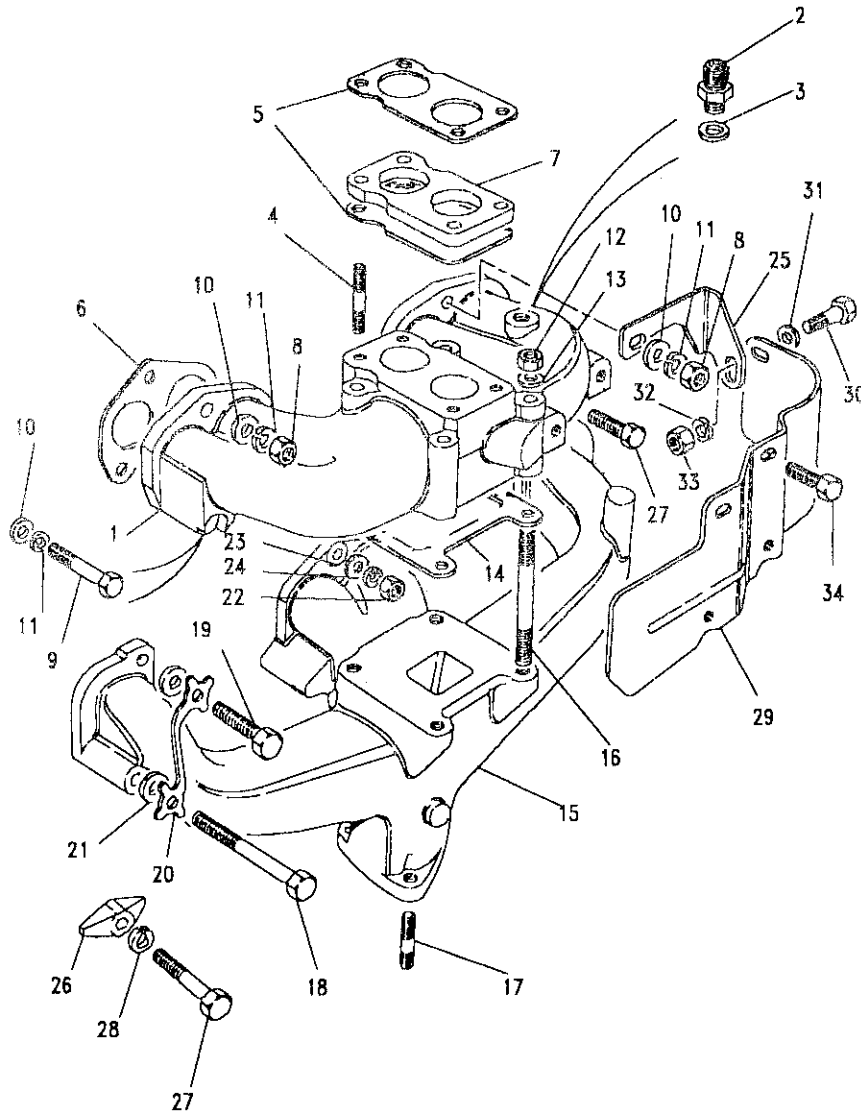


Model DEFENDER 110 1987 onwards  
 Page AFBFHA1A

ENGINE - MANIFOLDS - 2.5 PETROL

III. Part No.	Description	Qty	Remarks
1	ERC9069 Manifold inlet	1	
2	513171 Adaptor-servo	1	
	ETC6929 Banjo assembly	1	Note(1)
3	243958 Washer joint	1	
4	TE108081L Stud-carb to inlet/man	4	
	NH108041L Nut-carb to inlet/man	4	
	WL108001L Washer spring	4	
5	ERC8645 Washer joint	2	
	ERR4385 Joint washer	1	From Jan 94
6	564307 Washer joint	2	
7	ERC8460 Packing piece	1	
	ERR4386 Insulator heat	1	From Jan 94
8	NH108041L Nut-manifold to head	2	
9	BH108105L Bolt-manifold to head	2	
10	587405 Washer-manifold to head	4	
11	WL108001L Washer spring	4	
12	NH108041L Nut-manifold to manifold	4	
13	WA108051L Washer	4	
14	ERC8124 Washer joint	1	
	ERR4387 Gasket manifold	1	From Jan 94
15	ETC5330 Manifold exhaust	1	

Note(1) Vehicles with charcoal canister only



Model DEFENDER 110 1987 onwards  
 Page AFBFHA1A

ENGINE - MANIFOLDS - 2.5 PETROL

III. Part No.	Description	Qty	Remarks
16	TE108131L Stud-manifold to manifold	4	
17	AFU1848L Stud-exhaust pipe	3	
18	BH108141L Bolt-manifold to head	2	
19	SH108301L Screw-manifold to head	2	
20	596490 Locking plate	2	
21	587405 Washer-manifold to head	4	
22	NH108041L Nut-centre flange to head	1	
23	587405 Washer	1	
24	WL108001L Washer spring	1	
25	ETC5040 Bracket-heat shield	1	
26	564308 Clamp-manifold to head	2	
27	BH108141L Bolt-manifold to head	2	
28	WL108001L Washer spring	2	
29	ERC8712 Shield-exhaust manifold	1	
30	FS108207L Bolt-shield to manifold	1	
31	WA108051L Washer	4	
32	WL108001L Washer spring	3	
33	NH108041L Nut-shield to manifold	1	
34	SH108141L Screw-shield to manifold	2	
	ERC8722 Bolt-shield to manifold	2	

Model DEFENDER 110 1987 onwards  
Page AFBFIA1A

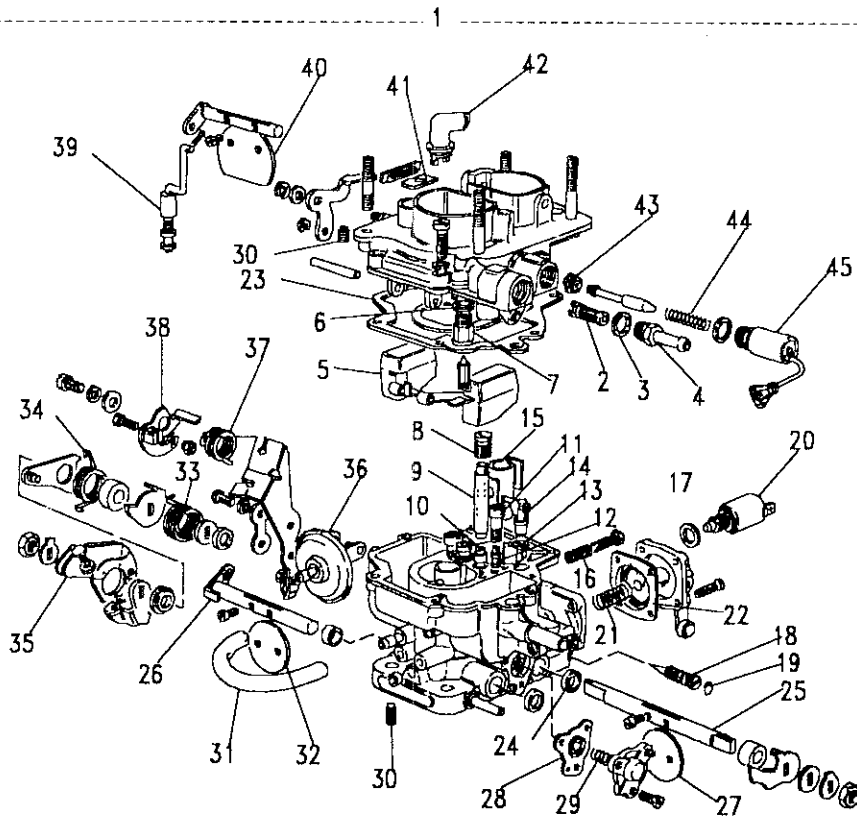
ENGINE - CARBURETTORS - 2.5 PETROL

III. Part No.

Description

Qty Remarks

1	ETC6350	Carburettor twin choke	1	Upto17H08822C
	ETC7144	Carburettor twin choke	1	From17H08823C
2	RTC4421	Filter	1	NLA
3	RTC4420	Washer	1	NLA
4	RTC4419	Fuel-inlet	1	
5	AEU2583	Float	1	
6	RTC4896	Gasket-needle valve	1	NLA
7	AEU2584	Needle valve	1	NLA
8	AEU2565	Jet air correction-prime	1	
	RTC4858	Jet air correction-sec	1	
9	AEU2566	Emulsion tube-primary	1	
	RTC4857	Emulsion tube-secondary	1	
10	RTC4852	Jet main-primary/sec	2	
11	AEU2582	Jet idle holder	1	
12	RTC4849	Jet idle-primary	1	
	AEU2580	Jet idle-secondary	1	
13	RTC4897	'O' ring	1	
14	AEU2578	Jet pump	1	NLA
15	AEU2585	Auxiliary venturi(PRI)	1	
	RTC4859	Auxiliary venturi(SEC)	1	
16	AEU2577	Spring-idle speed screw	1	
17	RTC4898	Screw idle speed	1	
18	RTC4899	Screw idle mixture	1	NLA
19	RTC4900	'O' ring-mixture screw	1	NLA
20	RTC4850	Solenoid-idle cut off	1	
21	AEU2575	Spring pump	1	
22	RTC4901	Diaphragm pump	1	NLA
23		Gasket	1	NLA
24	RTC4903	Seal shaft	3	NLA

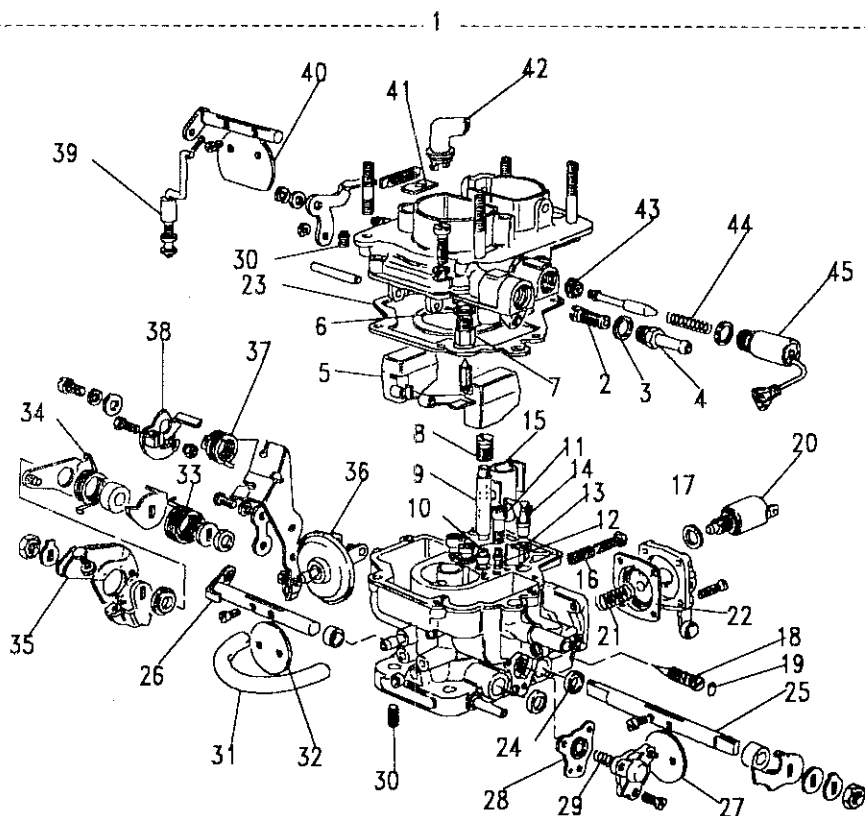


Model DEFENDER 110 1987 onwards

Page AFBFIA1A

ENGINE - CARBURETTER - 2.5 PETROL

III. Part No.	Description	Qty	Remarks
25	AEU2573 Shaft primary	1	NLA
26	AEU2570 Shaft secondary	1	NLA
27	AEU2574 Plate throttle	1	NLA
28	RTC4860 Diaphragm	1	NLA
29	RTC4851 Spring valve	1	
30	AEU2579 Screw-secondary adjust	1	
	AEU2579 Screw-choke setting	1	
31	RTC4904 Tube	1	
32	AEU2571 Plate throttle	1	NLA
33	AEU2569 Spring	1	
34	AEU2564 Spring	1	
35	RTC4853 Lever throttle	1	
36	AEU2560 Capsul	1	
37	AEU2564 Spring	1	
38	AEU2563 Cam fast idle	1	
39	AEU2562 Link choke	1	
40	AEU2558 Plate choke	1	
41	RTC4906 Seal dust	1	NLA
42	RTC4861 ELbow vent	1	
43	RTC3665 Seal valve	1	
44	RTC4908 Spring	1	
45	RTC3663 Solenoid	1	
	RTC5970 Kit repair	1	
	RTC5863 Kit overhaul	1	

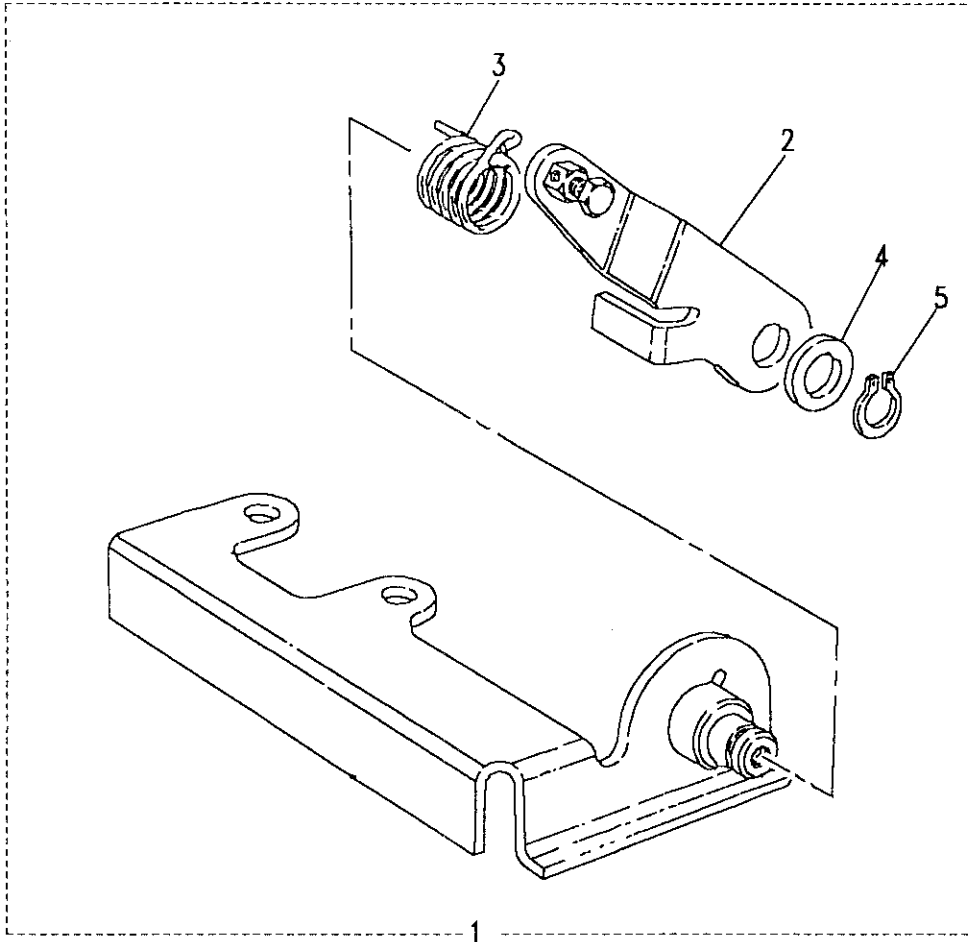


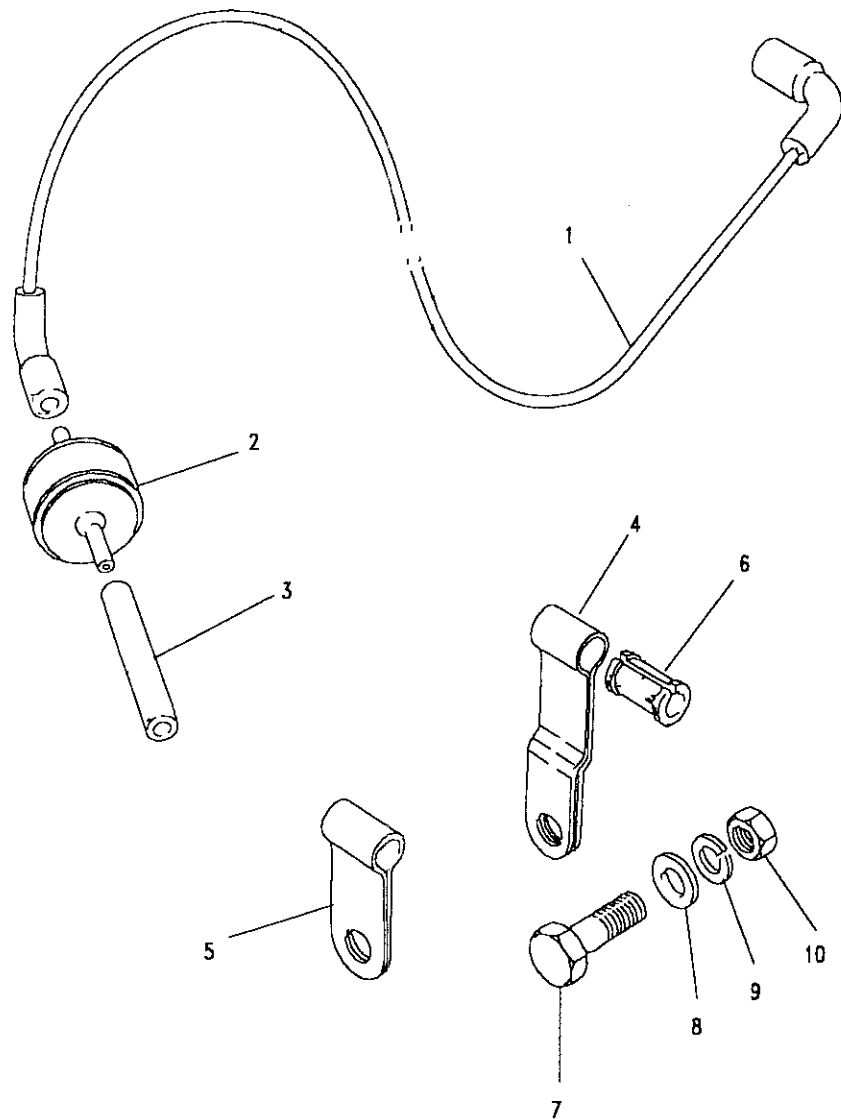


**Model** DEFENDER 110 1987 onwards  
**Page** AFBFIA2A

**ENGINE - HAND THROTTLE - 2.5 PETROL**

Ill. Part No.	Description	Qty	Remarks
1	ERC9708	1	Bracket assembly-hand
2	ERC9693	1	Lever assembly
3	ERC9704	1	Spring
4	WB600071L	1	Washer plain
5	CR120115L	1	Circlip





**Model** DEFENDER 110 1987 onwards  
**Page** AFBFIC1A

**ENGINE - VACUUM PIPES - CARBURETTER - 2.5 PETROL**

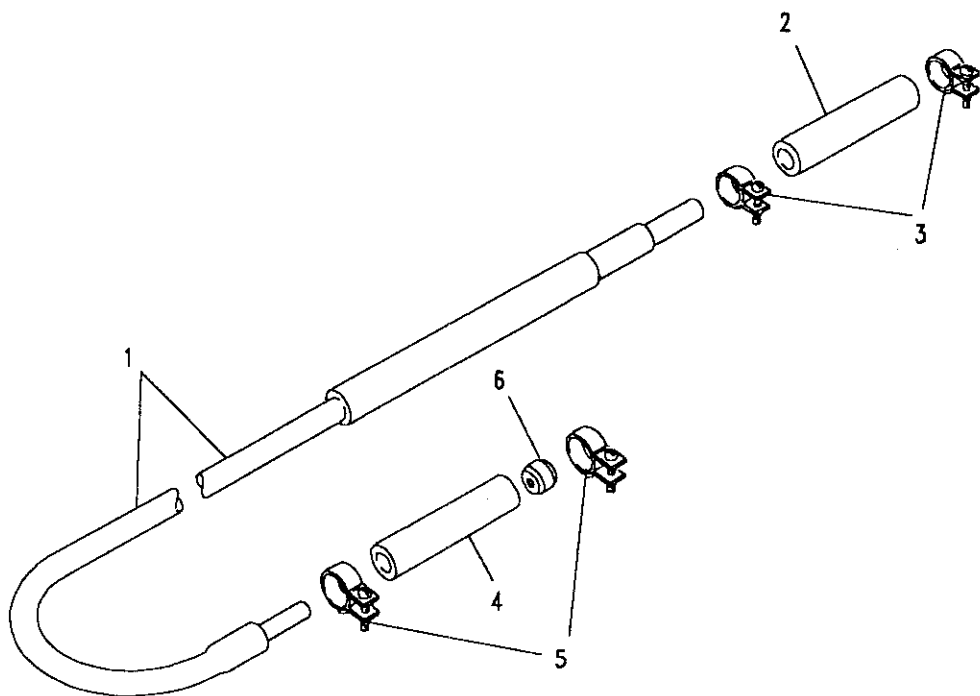
III. Part No.	Description	Qty	Remarks
1	ERC9294	1	Pipe assy vacuum advance
2	ERC8119	1	Valve-vacuum delay
3	ERC6996	1	Hose-distributor to valve
4	512646	1	Clip pipe
5	214228	1	Clip pipe
6	214229	2	Grommet-clip
7	SH604051L	1	Screw
8	RTC609	1	Washer
9	WM600041L	1	Washer spring
10	NH604041L	1	Nut

**Model** DEFENDER 110 1987 onwards

**Page** AFBFIE1A

**ENGINE - FUEL PIPES - 2.5 PETROL**

III. Part No.	Description	Qty	Remarks
1 ETC5027	Pipe fuel assembly	1	
2 ETC6155	Hose connector-fuel pipe	1	
3 EAC32151	Clip hose-connector	2	
4 ETC6156	Connector hose-fuel pipe	1	
5 EAC32151	Hose clip-connector	2	
6 ETC6243	Restrictor	1	



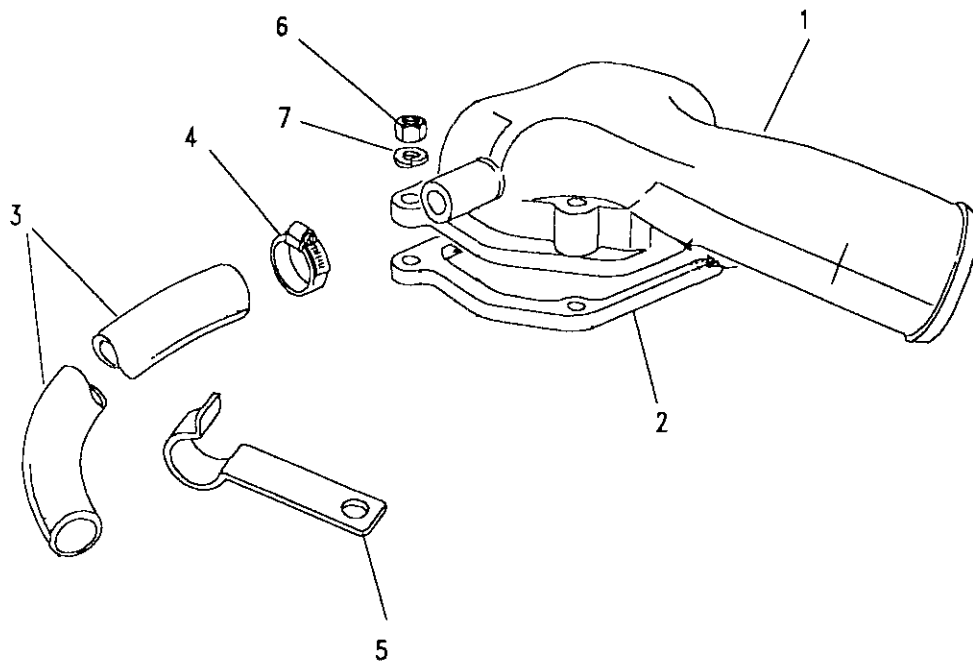


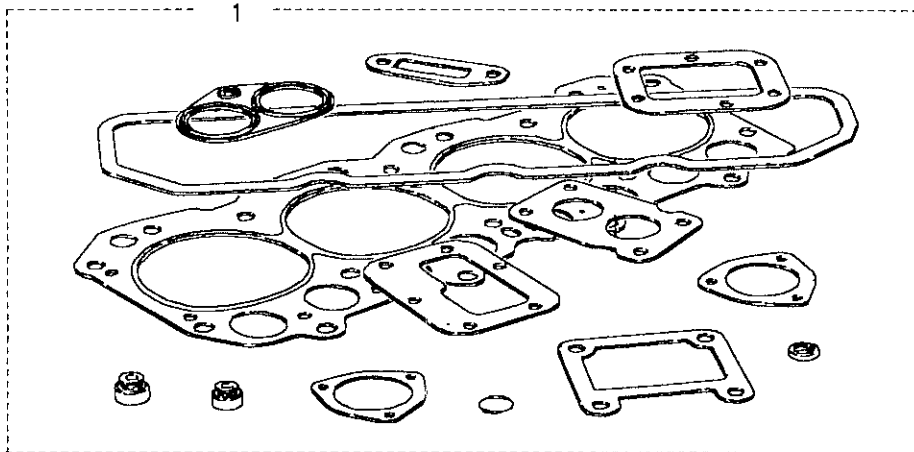
Model DEFENDER 110 1987 onwards

Page AFBFIG1A

ENGINE - CARBURETTER FIXINGS - 2.5 PETROL

III. Part No.	Description	Qty	Remarks
1 ERR539	Elbow air inlet	1	
2 ERC7922	Gasket-elbow	1	
ERR4384	Gasket elbow	1	From Jan 94
3 ERC298	Hose-carburetter vent	1	
4 AAU1979	Clip hose	1	
5 ETC4959	Clip hose	1	
6 NH105041L	Nut-elbow to carb	4	
7 WL105001L	Washer-elbow to carb	4	

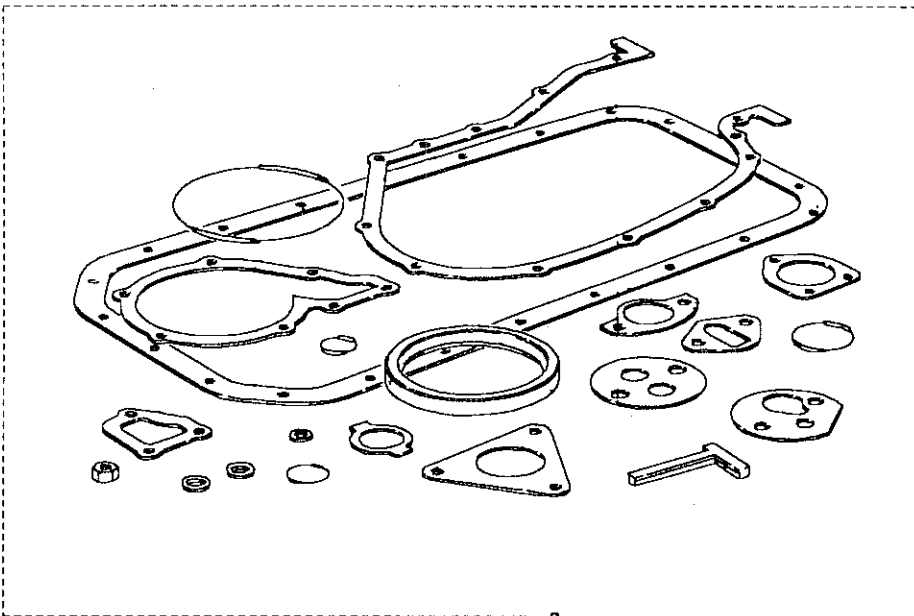




**Model** DEFENDER 110 1987 onwards  
**Page** AFBFMA1A

**ENGINE - GASKET KITS - 2.5 PETROL**

III. Part No.	Description	Qty	Remarks
1 RTC2889	Kit gasket/seals-decarb	1	
STC1640	Kit gasket cylinder head	1	From Jan 94
2 RTC2890	Kit gasket/seals-overhaul	1	
STC1467	Kit gasket overhaul	1	From Jan 94

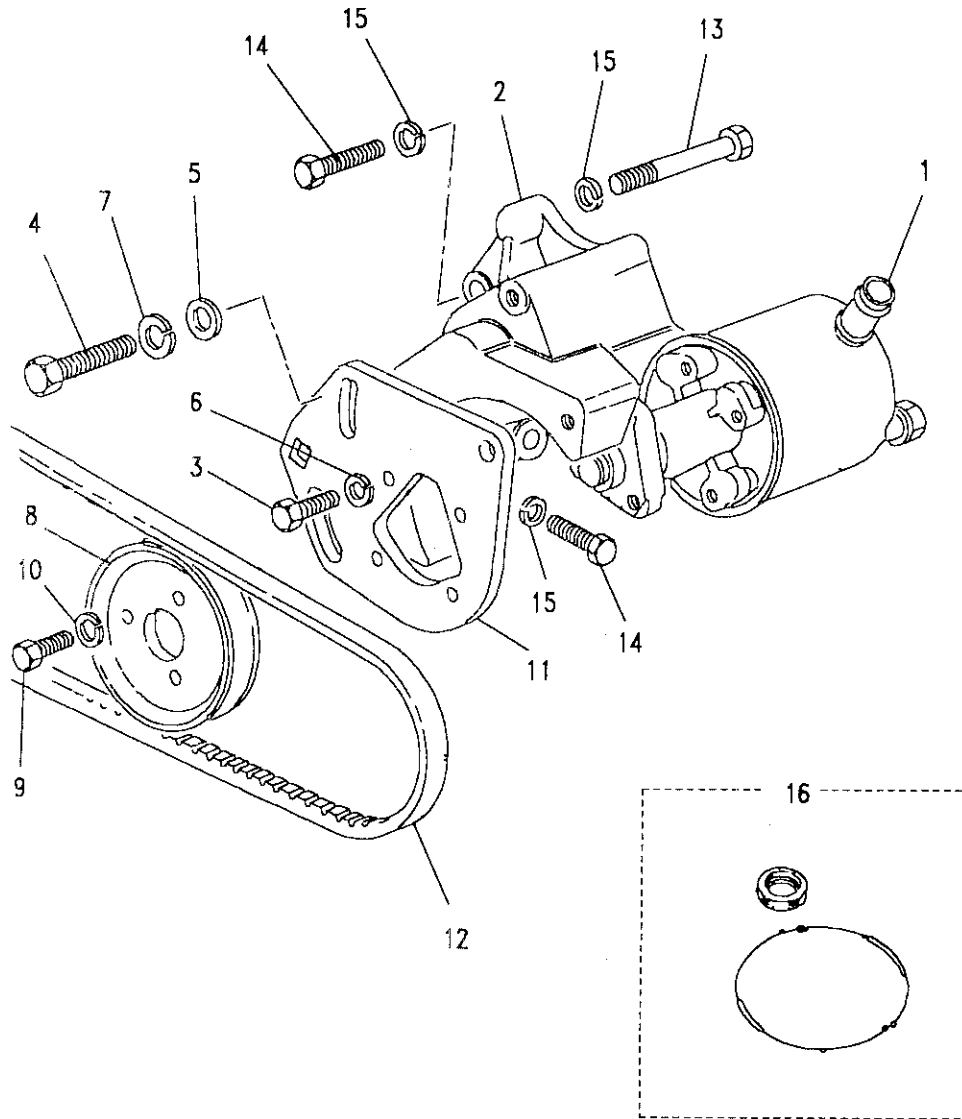


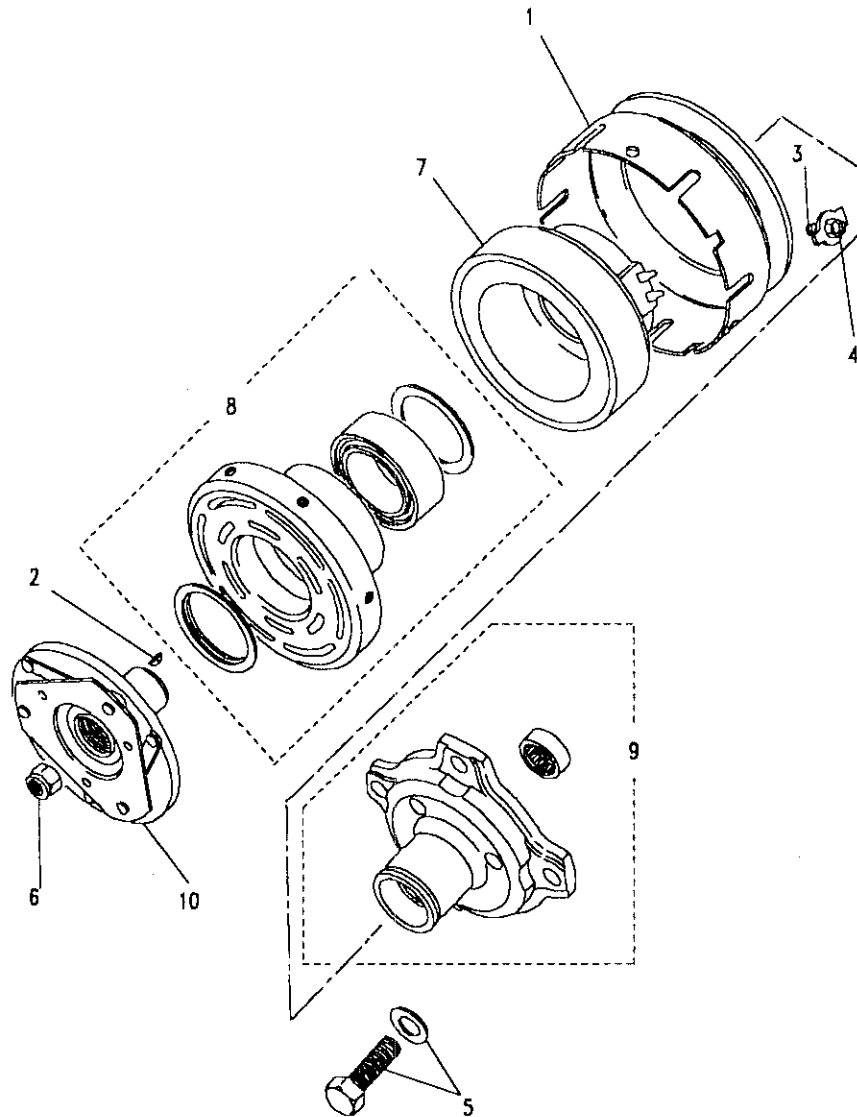
2

**Model** DEFENDER 110 1987 onwards  
**Page** AFBFNC1A

**ENGINE - POWER STEERING PUMP - 2.5 PETROL**

Ill. Part No.	Description	Qty	Remarks
1	ETC9077	1	)UptoJUNE1989
	RTC5674	1	
	RTC5675	1	
1	NTC8287	1	)fromJUNE1989
			)UptoJULY1992
1	NTC9070	1	From JULY1992
2	ERC6974	1	UptoJUNE1989
	ETC8854	1	FromJUNE1989
3	FS106201L	4	
4	SH108251L	3	
5	WA108051L	2	
6	WL106001L	4	
7	WL108001L	3	
8	ETC5783	1	
9	SH108141L	3	
10	WL108001L	3	
11	ERR1976	1	Upto JULY1992
	ERR2605	1	From JULY1992
12	ETC5815	1	
13	BH108181L	1	
14	SH108251L	3	
	SH108301L	1	
15	WL108001L	5	
16	RTC5935	1	
	STC1633	1	





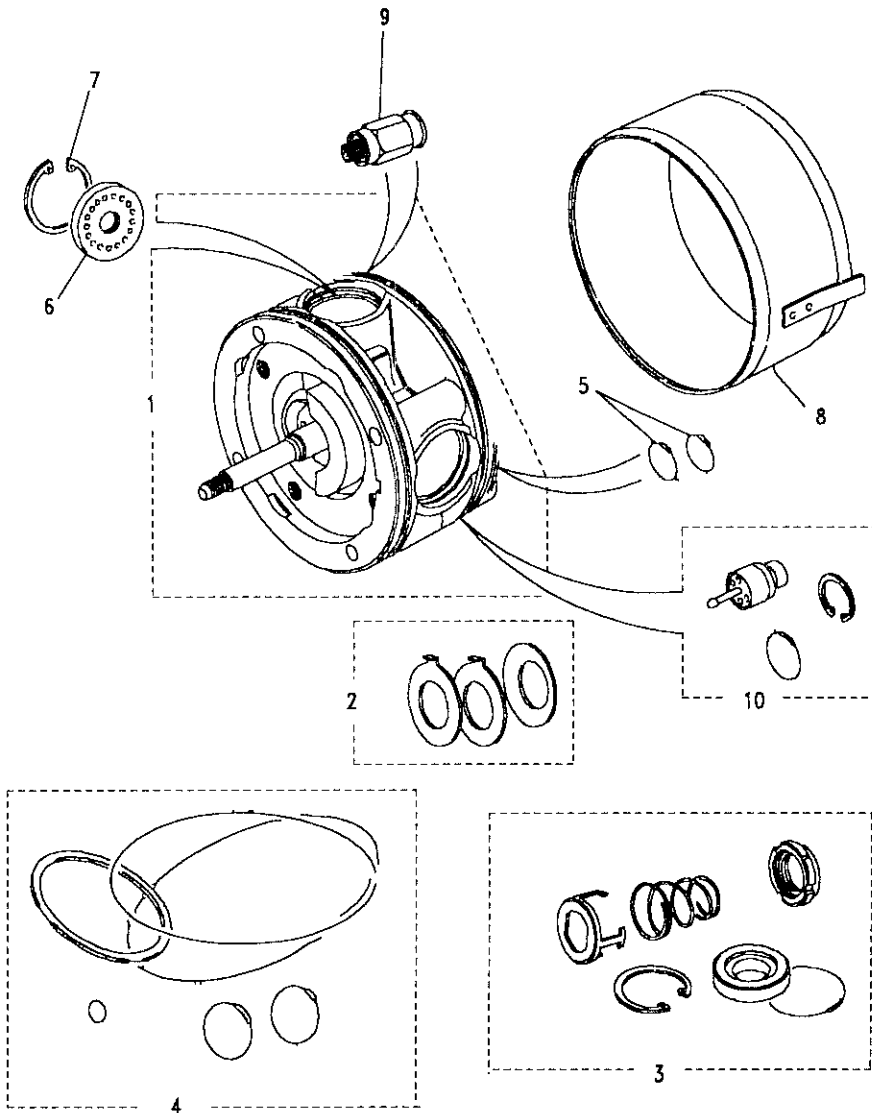
Model DEFENDER 110 1987 onwards

Page AFBFNE1A

ENGINE - AIRCON COMPRESSOR - 2.5 PETROL

III. Part No.	Description	Qty	Remarks
BTR9419	Compressor assembly	1	Note(2)
ERC6480	Compressor assembly	1	Note(1)
1 AEU1782	Pulley rim	1	
2 AEU1694	Key-clutch hub	1	
3 AEU1780	Screw-rim mounting	6	
4 AEU1779	Washer-rim mounting	6	
5 AEU1784	Screw and washer assy	4	
6 AEU1775	Nut-shaft	1	
7 AEU1778	Coil and housing assy	1	
8 AEU1777	Rotor and bearing assy	1	
9 AEU1785	Front head/bearing assy	1	
10 AEU1776	Clutch assembly	1	

Note(1) Up to VIN MA949374  
 Note(2) From VIN MA949375



**Model** DEFENDER 110 1987 onwards  
**Page** AFBFNE2A

**ENGINE - AIRCON COMPRESSOR - 2.5 PETROL**

III. Part No.	Description	Qty	Remarks
BTR9419	Compressor assembly	1	Note(2)
ERC6480	Compressor assembly	1	Note(1)
1 AEU1792	Kit-cylinder and shaft	1	
2 AEU1791	Kit-thrust washers	1	
3 AEU1790	Kit-shaft seal	1	
4 AEU1192	Kit O rings	1	
5 AEU1690	O ring-ports	2	
6 AEU1788	Plate valve assembly	4	
7 AEU1787	Ring retaining	4	
8 AEU1786	Shell assembly	1	
9 AEU1689	Valve pressure release	1	
10 AEU1688	Kit-superhead switch	1	
ERC6072	Belt-driving twin belt	2	
ETC4371	Belt-driving single belt	1	
AEU1691	Oil-525 visco/2pt(1136ml)	A/R	

Note(1)  
 Note(2)

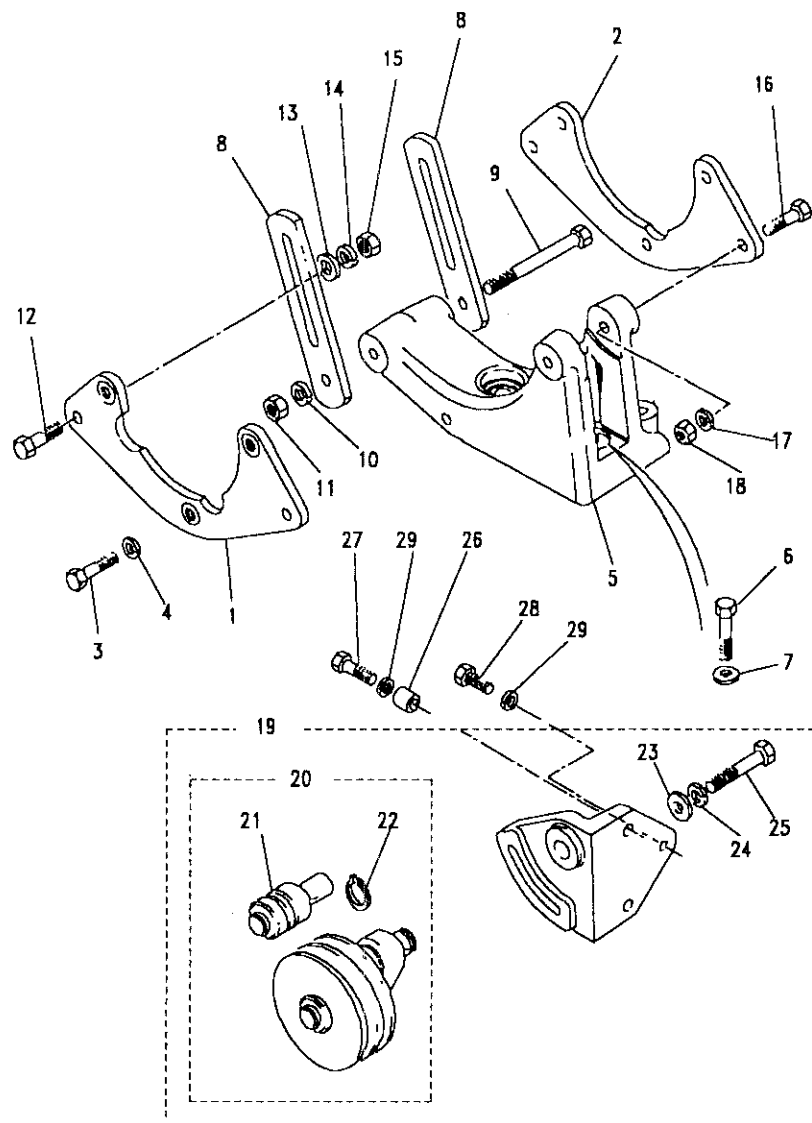
Up to VIN MA949374  
 From VIN MA949375





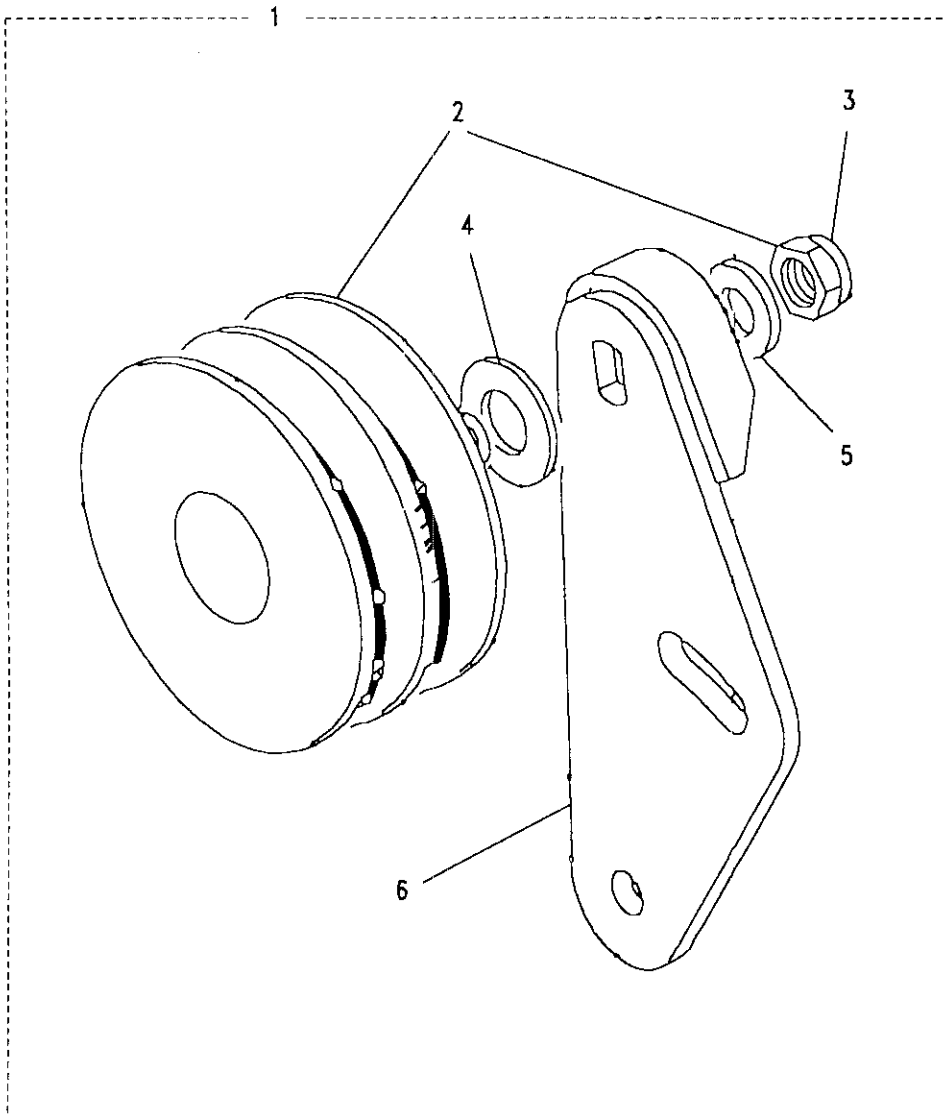
Model DEFENDER 110 1987 onwards  
Page AFBFNE3A

## ENGINE - COMPRESSOR FIXINGS - 2.5 PETROL



III. Part No.	Description	Qty	Remarks
1	ERC7082	1	plate mounting-front
2	ERC5152	1	Plate mounting-rear
3	BH110201L	3	Bolt-compressor to plate
4	WL110001L	3	Washer spring
5	ERC5151	1	Bracket-mounting compress
6	BH110101L	4	Bolt-bracket to cover
7	WA110061L	4	Washer plain
8	ERC5155	2	Link-adjusting
9	BH108181L	1	Bolt-link to bracket
10	WL108001L	1	Washer spring
11	NH108041L	1	Nut
12	SH108251L	2	Screw-link to plate
13	WA108051L	2	Washer
14	WL108001L	2	Washer spring
15	NH108041L	2	Nut
16	FB108081L	2	Bolt-bracket to plates
17	WL108001L	2	Washer spring
18	NH108041L	2	Nut
19	ERC5386	1	Idler assembly
20	ERC5387	1	Idler arm assembly
21	90613049	1	Bearing idler
22	CR120171L	1	Circlip
23	WC108051L	1	Washer-idler arm clamp
24	WL108001L	1	Washer spring
25	FB108081L	1	Bolt-idler arm clamp
26	ERC6071	2	Dowel hollow
27	FS108301L	2	Bolt
28	SH108251L	1	Screw
29	WL108001L	3	Washer spring



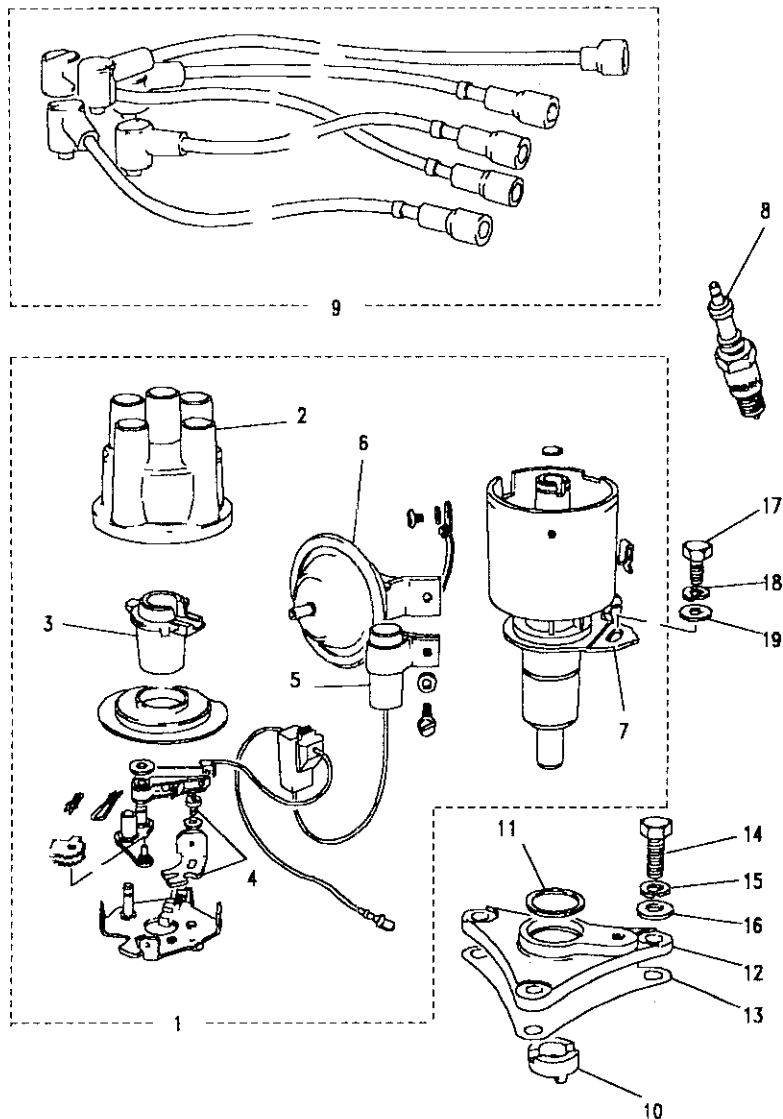


**Model** DEFENDER 110 1987 onwards

**Page** AFBFNE4A

**ENGINE - AIRCON IDLER PULLEY - 2.5 PETROL**

III. Part No.	Description	Qty	Remarks
1 ETC7756	Pulley damper assembly	1	
2 554971	Pulley	1	
3 RTC6077	Nut	1	
4 4095	washer plain	1	
5 WB108051L	Washer plain	1	
6 ETC4212	Plate mounting	1	



Model DEFENDER 110 1987 onwards

Page AFBFPA1A

ENGINE - DISTRIBUTOR - 2.5 PETROL

III. Part No.	Description	Qty	Remarks
1 ETC5835	Distributor	1	Note(1)
2 RTC3278	Cap	1	
3 RTC3614	Rotor arm	1	
4 RTC6627	Contact set	1	Note(2)
RTC5947	Contact set	1	Note(3)
5 RTC3474	Capacitor	1	
6 AEU1034	Vacuum unit	1	
7 245003	Plate clamping	1	
8 RTC3812	Spark plug	4	
9 ERC3256	Lead ignition set	1	
10 549611	Drive coupling	1	
11 52278	Washer cork	1	
12 ETC4466	Adaptor	1	
13 247212	Washer joint	1	
14 FS108207L	Screw	3	
15 WL108001L	Washer spring	3	
16 WA108051L	Washer	3	
17 FS106167	Screw	1	
18 WL106001L	Washer spring	1	
19 WB106041L	Washer	1	

Note(1)

LUCAS number 42618

Note(2)

Sliding contact-replace at 24000 miles(40000 KMS) or 2 years

Note(3)

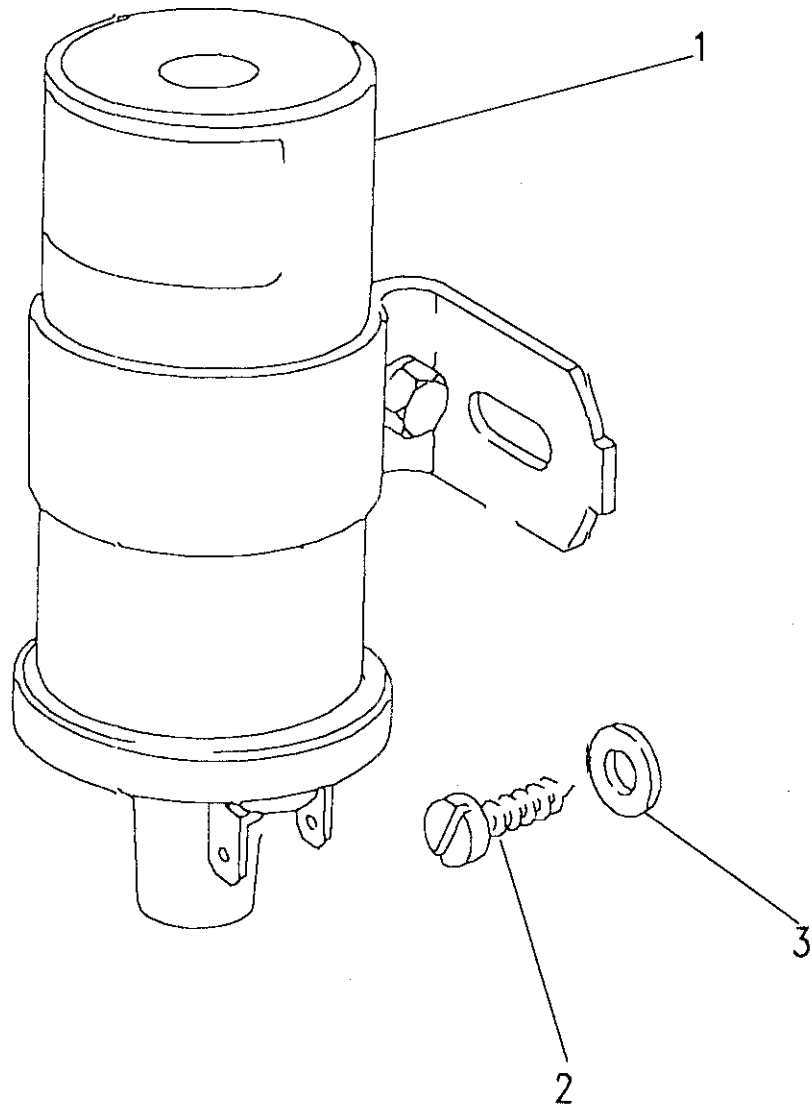
Fixed contact type-replace at 12000 miles(20000 KMS) or 1 year



DEFENDER 110 1987 onwards

59

ENGINE



**Model** DEFENDER 110 1987 onwards  
**Page** AFBFPA2A

**ENGINE - IGNITION COIL - 2.5 PETROL**

III. Part No.	Description	Qty	Remarks
1	RTC5629	Coil ignition	1
2	AB614061L	Screw	2
3	WJ106007	Washer plain	2



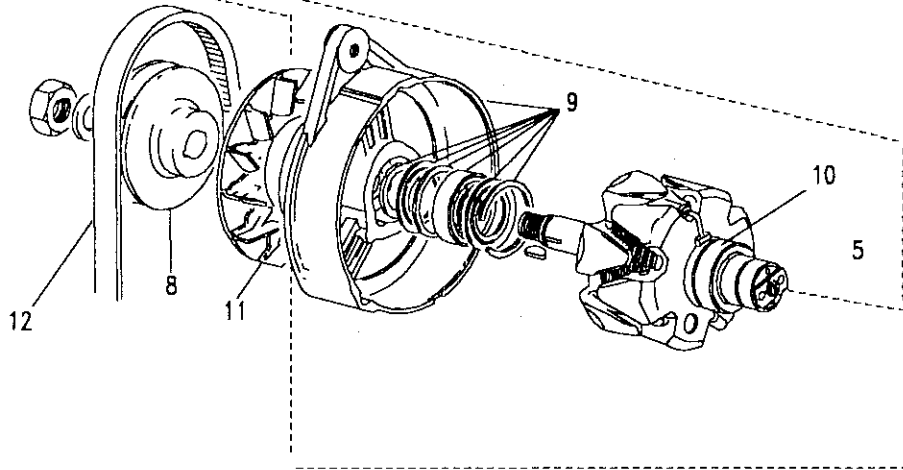
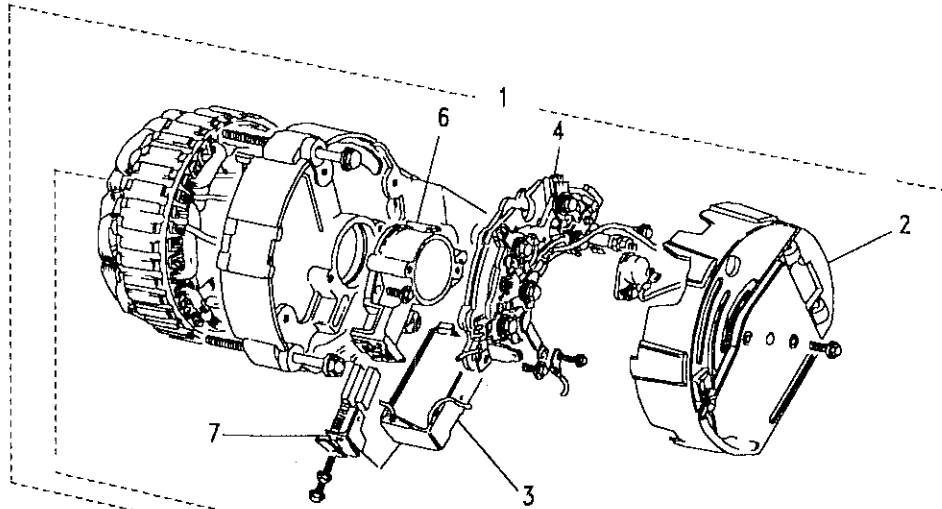
Model DEFENDER 110 1987 onwards

Page AFBFPC1A

ENGINE - ALTERNATOR - 2.5 PETROL

III. Part No.	Description	Qty	Remarks
1	RTC5083E	1	Note(1)
2	AEU2507	1	
3	AEU3076	1	
4	BAU1825	1	
5	BAU2193	1	
6	BAU2195	1	
7	RTC3215	1	
8	568788	1	
9	18G8619L	1	
10	AEU1532	1	
11	C37222L	1	
12	ETC7939	1	
	AEU1706	1	
	AEU1710	1	
	AEU1942	1	

Note(1) LUCAS number LRA356

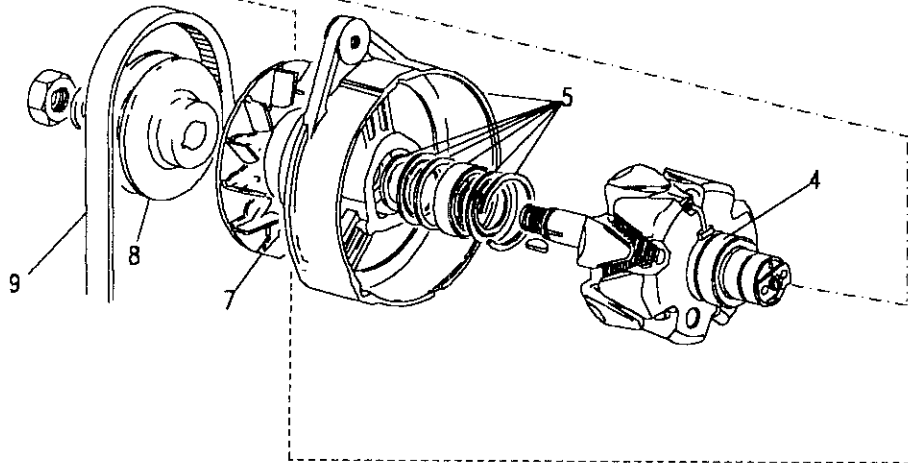
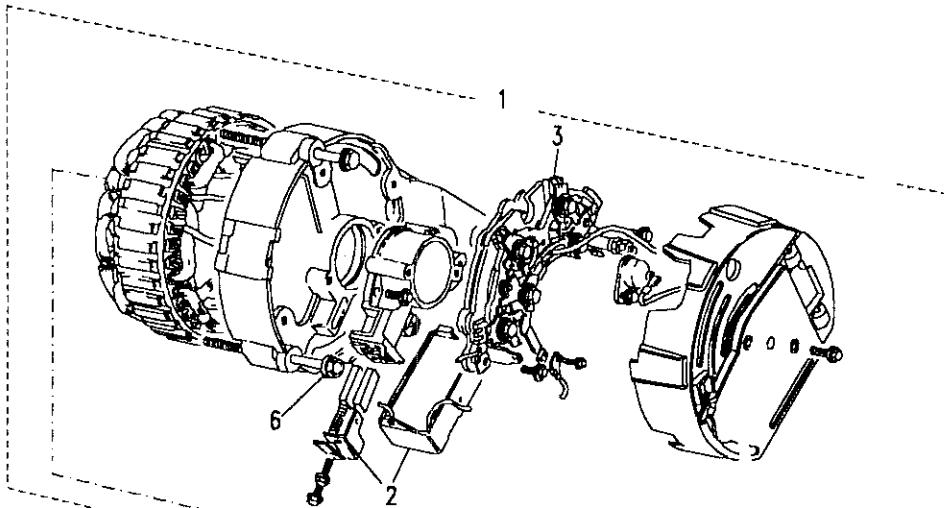


**Model** DEFENDER 110 1987 onwards  
**Page** AFBFPC2A

**ENGINE - ALTERNATOR - 2.5 PETROL**

III. Part No.	Description	Qty	Remarks
1	RTC5682N	1	Note(1)
	RTC5682E	1	
2	RTC5670	1	
3	RTC5684	1	
4	RTC5926	1	
5	RTC5687	1	
6	RTC5925	1	
7	RTC5685	1	
8	RTC5686	1	
9	ETC7939	1	
	RTC5689	1	

Note(1) LUCAS number 24199

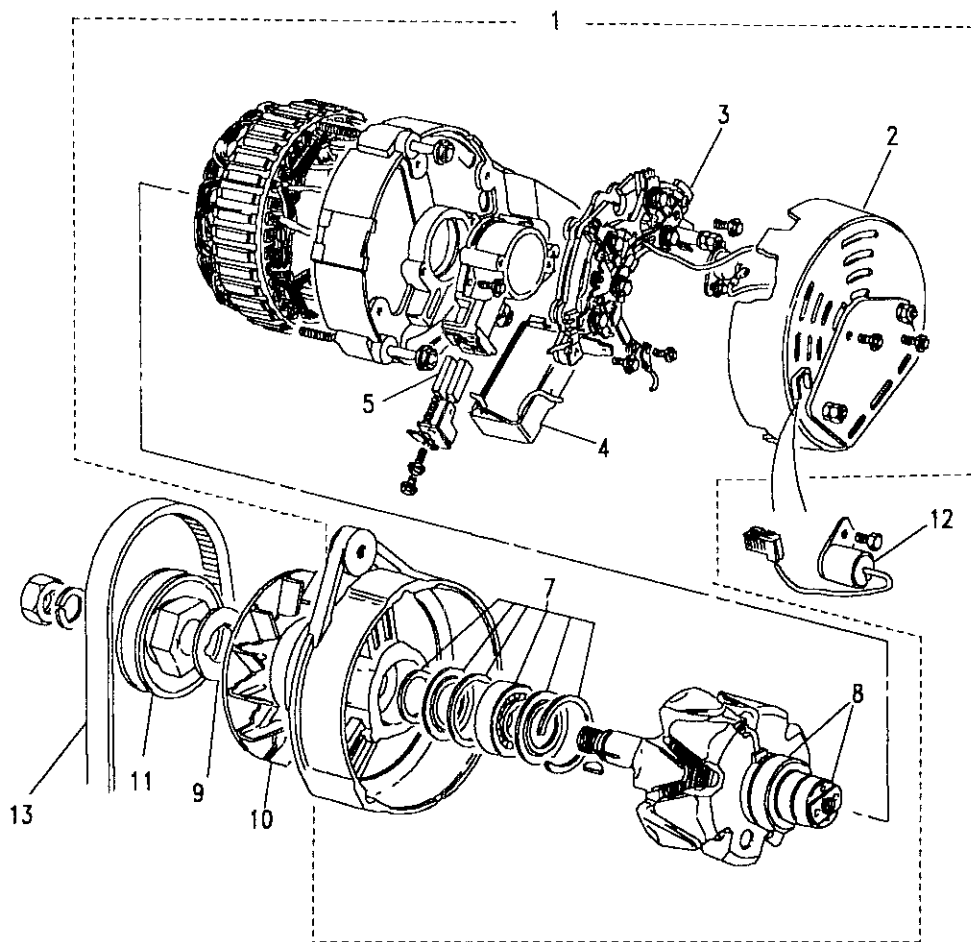


Model DEFENDER 110 1987 onwards  
 Page AFBFPC3A

ENGINE - ALTERNATOR - 2.5 PETROL - AIR CON

Ill. Part No.	Description	Qty	Remarks
1	RTC5218E	1	Note(1)
2	AEU1725	1	
3	AEU1915	1	
4	AEU1527	1	
5	RTC3292	1	
6	STC130	1	
7	AEU1726	1	
8	AEU1532	1	
9	AEU1710	1	
	ERC8987	1	
10	ADU4928L	1	
11	ERC8986	1	
12	AEU1616	1	
13	ETC7939	1	
	AEU1706	1	
	AEU1708	1	
	AEU1709	1	

Note(1) LUCAS number LRA406



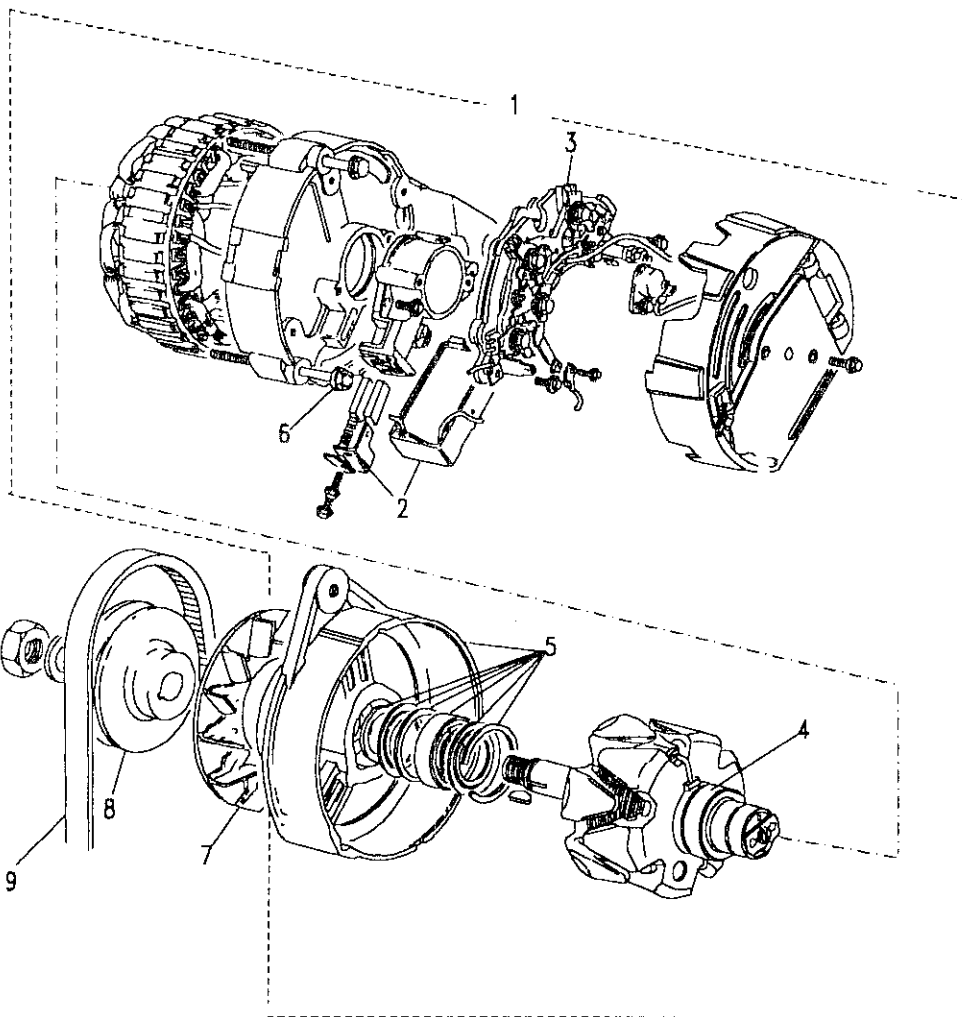
Model DEFENDER 110 1987 onwards

Page AFBFPC4A

ENGINE- ALTERNATOR - 2.5 PETROL - AIR CON

III. Part No.	Description	Qty	Remarks
1	RTC5680N	1	Note(1)
	RTC5680E	1	
2	RTC5670	1	
3	RTC5671	1	
4	RTC5926	1	
5	RTC5687	1	
6	RTC5925	1	
7	AAU2249L	1	
8	RTC5686	1	
9	ETC7939	1	
	RTC5689	1	

Note(1) LUCAS number 24220



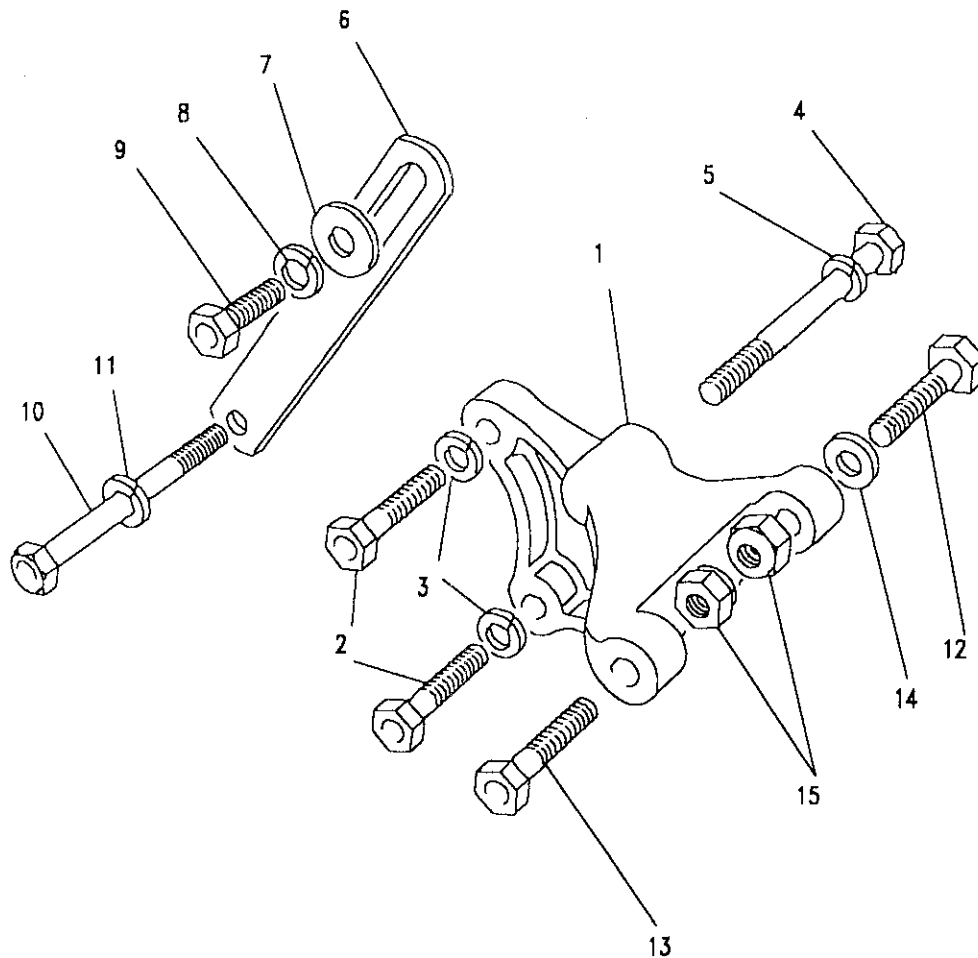


**Model** DEFENDER 110 1987 onwards  
**Page** AFBFPC5A

**ENGINE - ALTERNATOR FIXINGS - 2.5 PETROL**

Ill. Part No.	Description	Qty	Remarks	
1	ETC4357	1	Bracket-alternator	
2	SH108301L	2	Screw-bracket to block	
3	WL108001L	2	Washer spring	
4	BH108161L	1	Bolt-bracket to block	
5	WL108001L	1	Washer spring	
6	ERC5139	1	Link adjusting	Note(1)
	ERC6266	1	Link adjusting	Note(2)
7	2266L	1	Washer-link to alternator	
8	WL108001L	1	Washer link	
9	SH108251L	1	Screw-link to alternator	
10	BH108201L	1	Bolt-link to block	
11	WL108001L	1	Washer spring	
12	FB108081L	1	Bolt flanged	
13	BH108091L	1	Bolt	
14	WC108051L	1	Washer	
15	NY108041L	2	Nut nyloc	

Note(1) Use with A115 & A133 type alternator  
 Note(2) Use with A127 type alternator





DEFENDER 110 1987 onwards

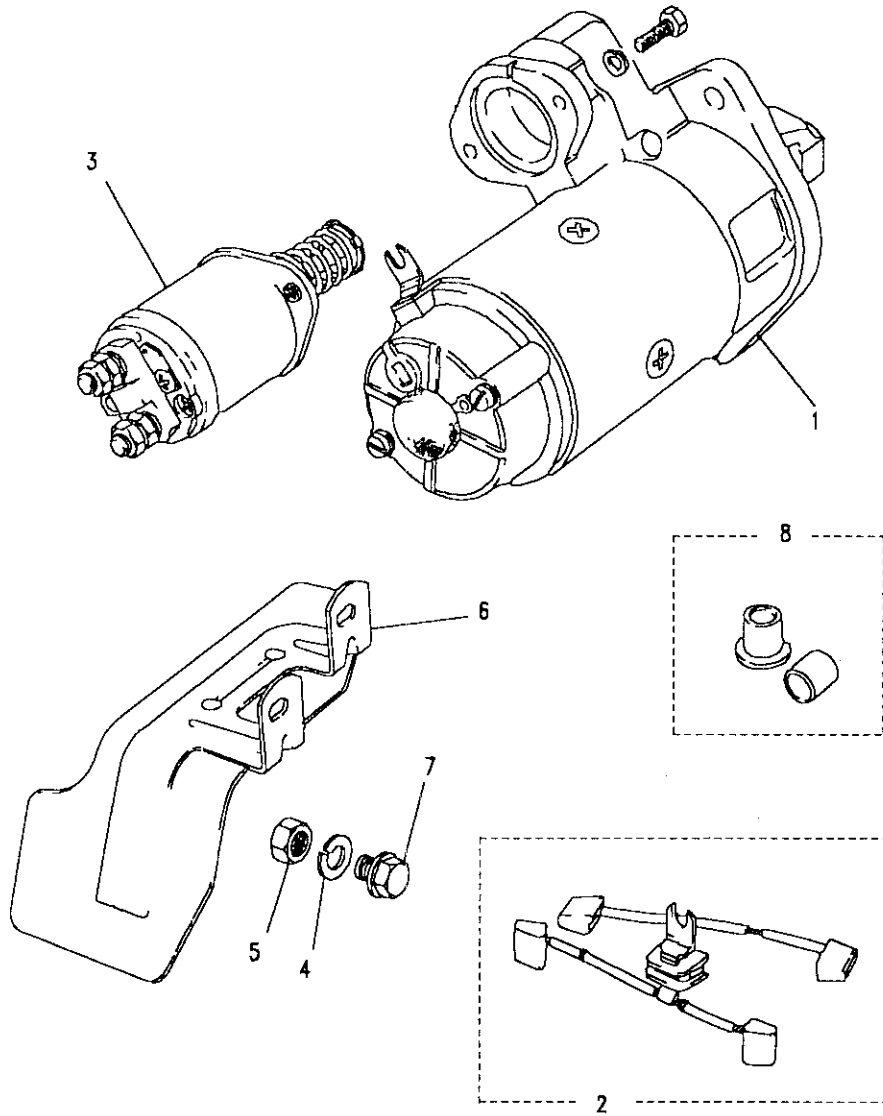
65

ENGINE

**Model** DEFENDER 110 1987 onwards  
**Page** AFBFPE1A

**ENGINE - STARTER - 2.5 PETROL**

Ill. Part No.	Description	Qty	Remarks
1	PRC6613N NAD10040	1	Upto17H26367C
	Starter motor-26800	1	From17H26368C
2	RTC5048	1	
	Kit brush	1	
3	RTC5049	1	
	Solenoid	1	
	Drive assembly	1	
4	WL110001L	2	
	Washer spring	2	
5	NH110041L	2	
	Nut-fixing starter	2	
6	ETC4133	1	
	Heat Shield Assembly	1	
7	ERC8722	2	
	Bolt-shield to exh/man	2	
8	RTC5563	1	
	Kit-bush	1	
	608395	1	
	Kit-retention	1	
	RTC5577	1	
	Kit-sundry parts	1	



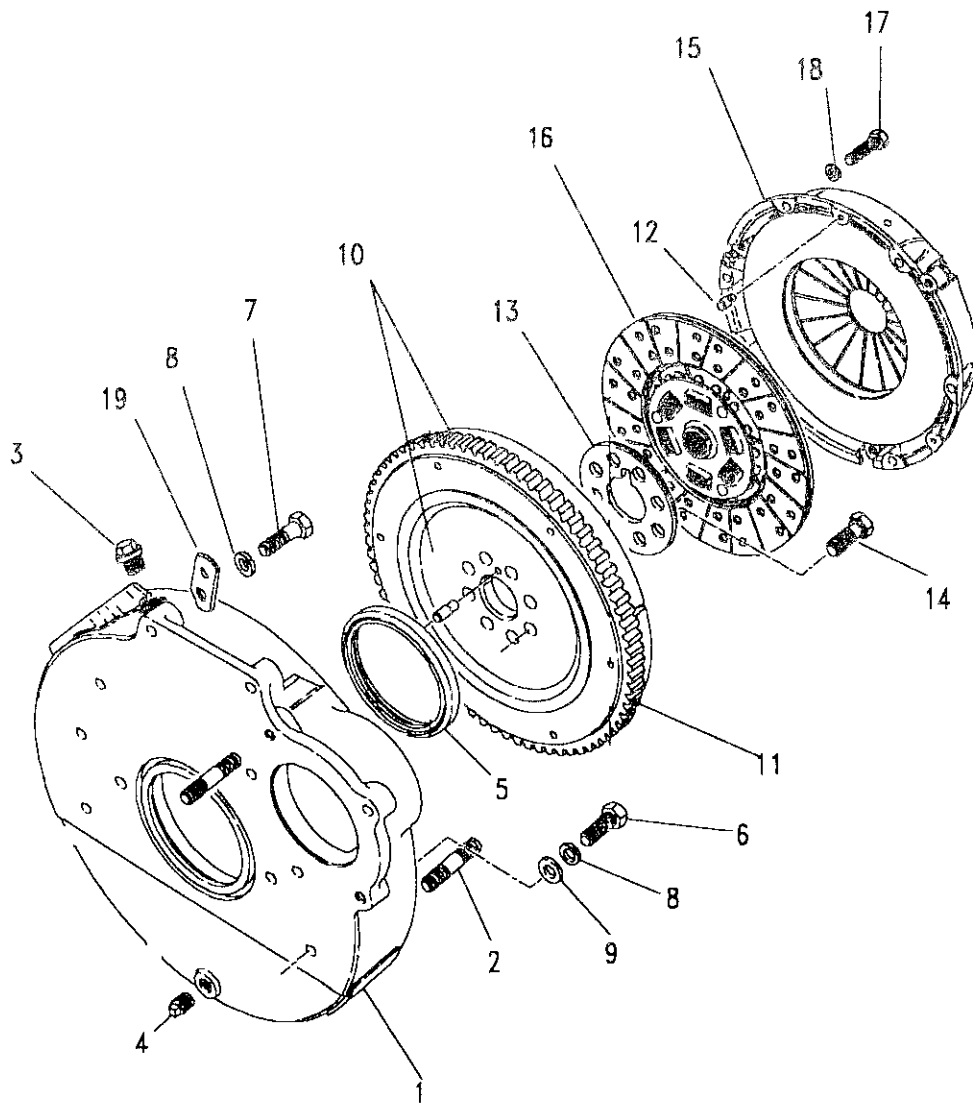
Model DEFENDER 110 1987 onwards  
 Page AFBFRA1A

ENGINE - FLYWHEEL & CLUTCH - 2.5 PETROL

iii. Part No. Description Qty Remarks

iii. Part No.	Description	Qty	Remarks
1	ETC6394	1	Housing flywheel assembly
2	TE110061L	13	Stud-bell housing
3	ERC7295	1	Plug
	NH110041L	11	Nut
4	ERC7295	1	Plug drain-fly/hsg
5	ERR1535	1	Seal oil main
	ERR2532	1	Seal oil main
			Upto17H22797C From17H22798C
6	SH110301L	6	Bolt
7	BX110071L	2	Bolt
8	WL110001L	2	Washer spring
9	WA110061L	6	Washer plain
10	ERC6408	1	Flywheel starter ring
11	ERC5293	1	Ring starter
12	502116	3	Dowel-clutch
13	ERC4658	1	Plate reinforcement
			Note(1)
14	ERC6551	8	Bolt-fly/crankshaft
	ERR4574	8	Bolt-fly/crankshaft
			Note(1)
15	576557	1	Cover clutch
16	FRC2671	1	Plate clutch
	FTC159	1	Plate clutch-asb/free
	FTC3196	1	Plate clutch-asb/free
	STC8359	1	Kit clutch
	576557	1	Cover
	FTC159	1	Plate
	FRC9568	1	Bearing
17	SX108201L	6	Bolt set
18	WL108001L	6	Washer spring
19	ERC9404	2	Bracket-clip to housing
	AFU1090L	2	Clip

Note(1) Only fitted up to Dec 93. The reinforcing plate was found to serve no useful purpose. If replacing use shortscrews ERR4574.





## MASTER INDEX

	PAGES
INTRODUCTION PAGES	1 - 7
ALPHABETICAL INDEX	8 - 16
ENGINE	17 - 66
ENGINE	67 - 119
ENGINE	120 - 166
ENGINE	167 - 209
ENGINE	210 - 245
ENGINE	246 - 299
GEARBOX	300 - 326
GEARBOX	327 - 344
GEARBOX	345 - 359
TRANSFER BOX	360 - 378
TRANSFER BOX	379 - 397
AXLES AND SUSPENSION	398 - 444
STEERING	445 - 471
VEHICLE AND ENGINE CONTROLS	472 - 486
BRAKES	487 - 517
FUEL SYSTEM AND AIR CLEANER	518 - 579
EXHAUST SYSTEM	580 - 593
COOLING/HEATING	594 - 637
COOLING/HEATING	638 - 641
COOLING/HEATING	642 - 649
COOLING/HEATING	650 - 655
COOLING/HEATING	656 - 666
BODY ELECTRICAL	667 - 740
BODY AND CHASSIS	741 - 909
INTERIOR TRIM	910 - 955
SEATS	956 - 1036
STOWAGE	1037 - 1046
ACCESSORIES - PAINTS	1047 - 1074
NUMERICAL INDEX	1076 - 1151

## GROUP B

## ENGINE

## ENGINE

ENGINE COMPLETE - 2.5 DIESEL	69
ENGINE STRIPPED - 2.5 DIESEL	70
ENGINE SHORT - 2.5 DIESEL	71
CYLINDER BLOCK - 2.5 DIESEL	72 - 74
SIDE COVER - 2.5 DIESEL	75
CRANKSHAFT - 2.5 DIESEL	76
PISTONS - 2.5 DIESEL	77
SUMP - 2.5 DIESEL	78
MOUNTINGS - 2.5 DIESEL	79
FRONT COVER - 2.5 DIESEL	80 - 81
TIMING BELT - 2.5 DIESEL	82
WATER PUMP - 2.5 DIESEL	83 - 84
WATER PUMP - 2.5 DIESEL WITH 65 AMP ALTERNATOR	85
WATER PUMP - 2.5 DIESEL - NOISE REDUCTION PACKAGE	86
OIL PUMP - 2.5 DIESEL	87 - 88
OIL FILTER - 2.5 DIESEL	89
OIL FILTER - 2.5 DIESEL WITH OIL COOLER	90
CYLINDER HEAD - 2.5 DIESEL	91 - 92
ROCKER SHAFT - 2.5 DIESEL	93
TAPPETS - 2.5 DIESEL	94
ROCKER COVER - 2.5 DIESEL	95
CYCLONE BREATHER ASSEMBLY - 2.5 DIESEL	96
CAMSHAFT - 2.5 DIESEL	97
THERMOSTAT HOUSING - 2.5 DIESEL	98
MANIFOLDS - 2.5 DIESEL	99
FUEL PUMP - 2.5 DIESEL	100
INJECTOR PUMP - 2.5 DIESEL	101
INJECTOR AND PIPES - 2.5 DIESEL	102
FUEL FILTER - 2.5 DIESEL	103
GASKET KIT - 2.5 DIESEL	104
VACUUM PUMP - 2.5 DIESEL	105
POWER STEERING PUMP - 2.5 DIESEL	106
AIRCON COMPRESSOR - 2.5 DIESEL	107 - 108
COMPRESSOR FIXINGS - 2.5 DIESEL	109
AIRCON IDLER PULLEY - 2.5 DIESEL	110
ALTERNATOR - 2.5 DIESEL	111 - 112
ALTERNATOR - 2.5 DIESEL - AIR CON	113
ALTERNATOR - 2.5 DIESEL - AIR CON	114





DEFENDER 110 1987 onwards

68

ENGINE

ALTERNATOR FIXINGS - 2.5 DIESEL	115
STARTER MOTOR - 2.5 DIESEL	116 - 117
FLYWHEEL & CLUTCH - 2.5 DIESEL	118 - 119





DEFENDER 110 1987 onwards

69

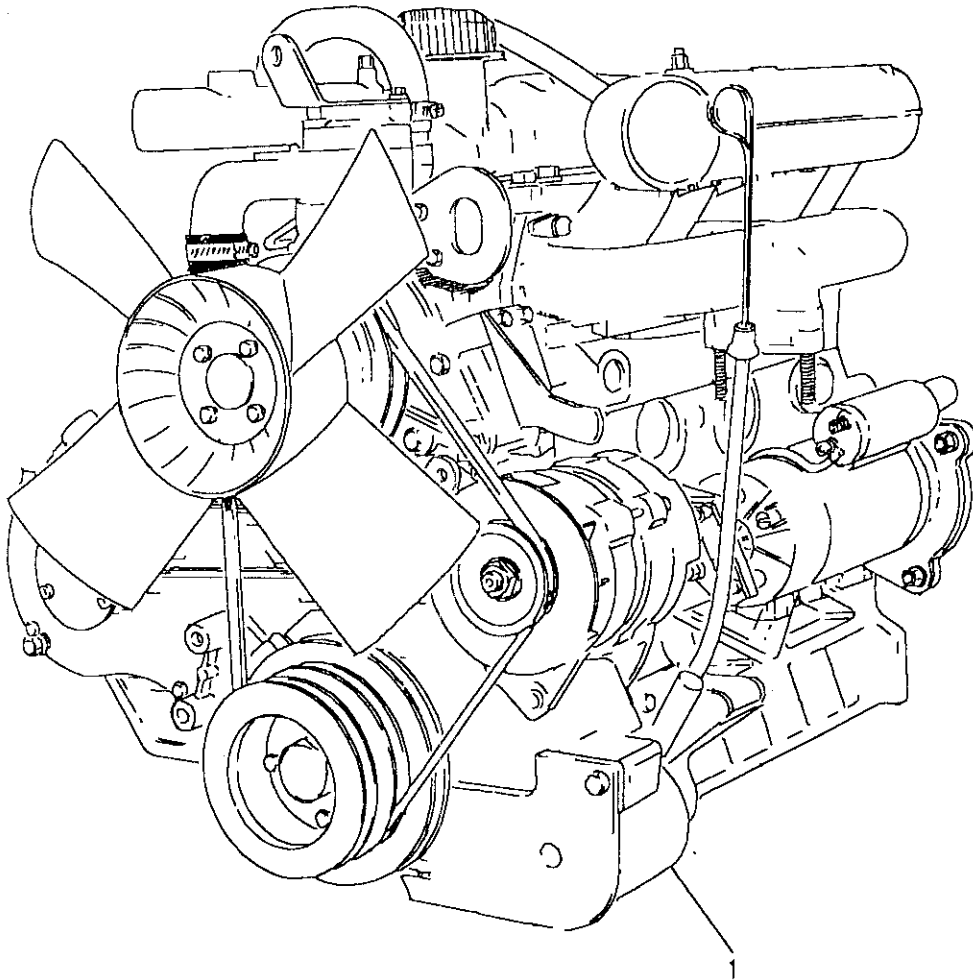
ENGINE

**Model** DEFENDER 110 1987 onwards  
**Page** AFBGAA1A

**ENGINE - ENGINE COMPLETE - 2.5 DIESEL**

III. Part No.	Description	Qty	Remarks
1 STC1257	Engine complete assembly	1	12J00001C

Note(1) Engine fitted with 65 amp alternator. If replacing an engine fitted with a 45 amp alternator also fit new harness PRC6082, if the vehicle is fitted with air conditioning the new harness is PRC6081.





DEFENDER 110 1987 onwards

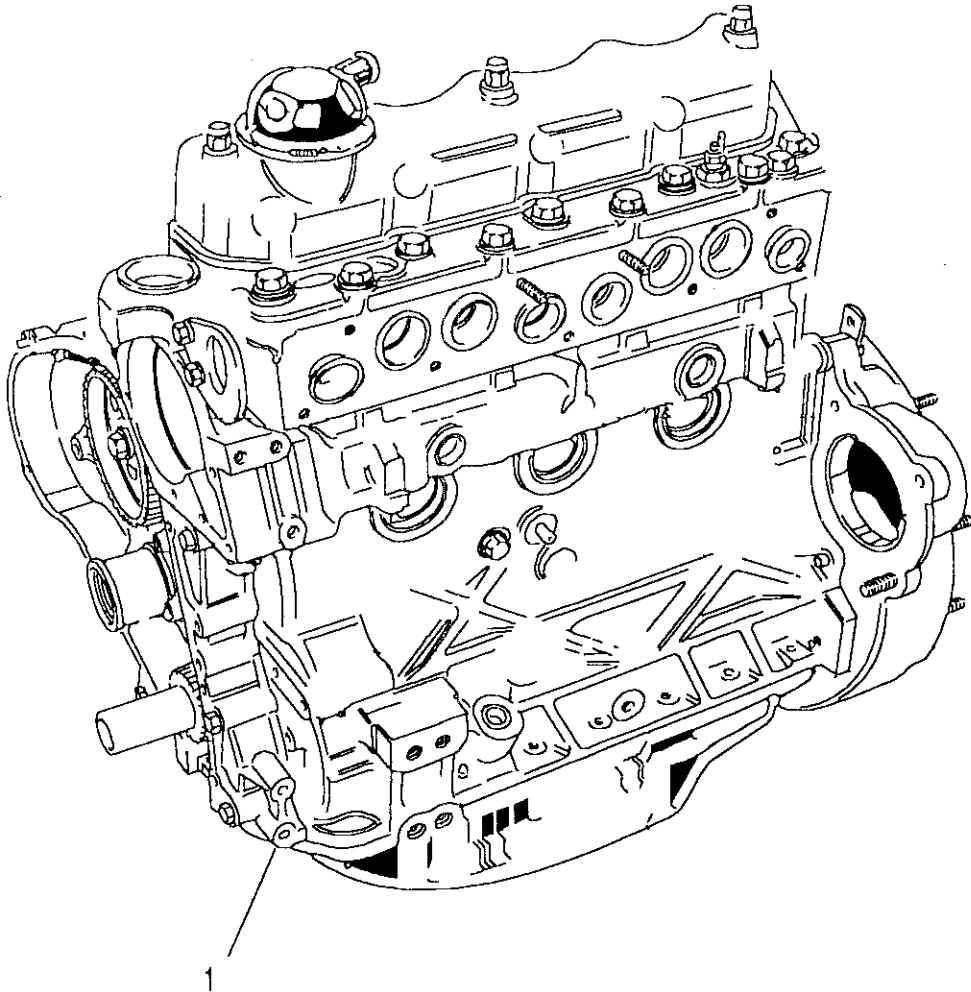
70

ENGINE

**Model** DEFENDER 110 1987 onwards  
**Page** AFBGAC1A

**ENGINE - ENGINE STRIPPED - 2.5 DIESEL**

III. Part No.	Description	Qty	Remarks
1 RTC6801N	Engine stripped assy	1	
RTC4059E	Engine stripped-exchange	1	Upto12J43824C
RTC6801R	Engine stripped-recon	1	From12J43825C





DEFENDER 110 1987 onwards

71

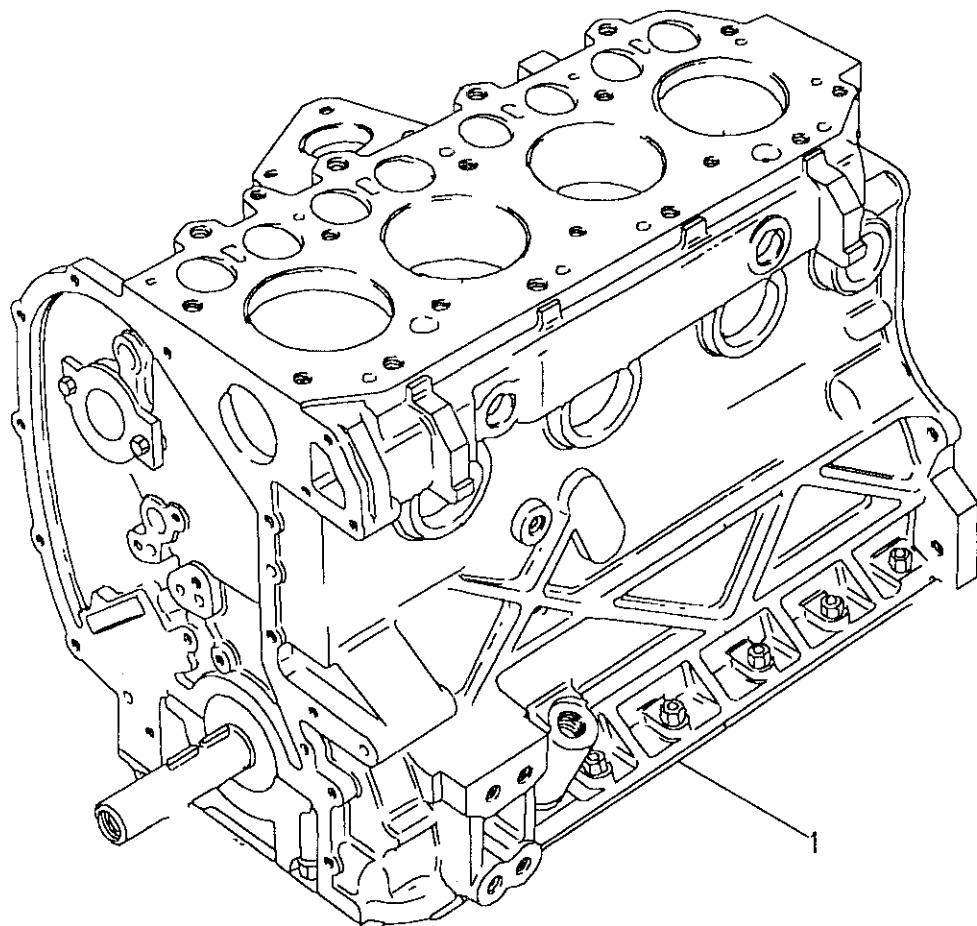
ENGINE

**Model** DEFENDER 110 1987 onwards

**Page** AFBGAE1A

**ENGINE - ENGINE SHORT - 2.5 DIESEL**

III. Part No.	Description	Qty	Remarks
1 RTC6794	Engine short assembly	1	





Model DEFENDER 110 1987 onwards

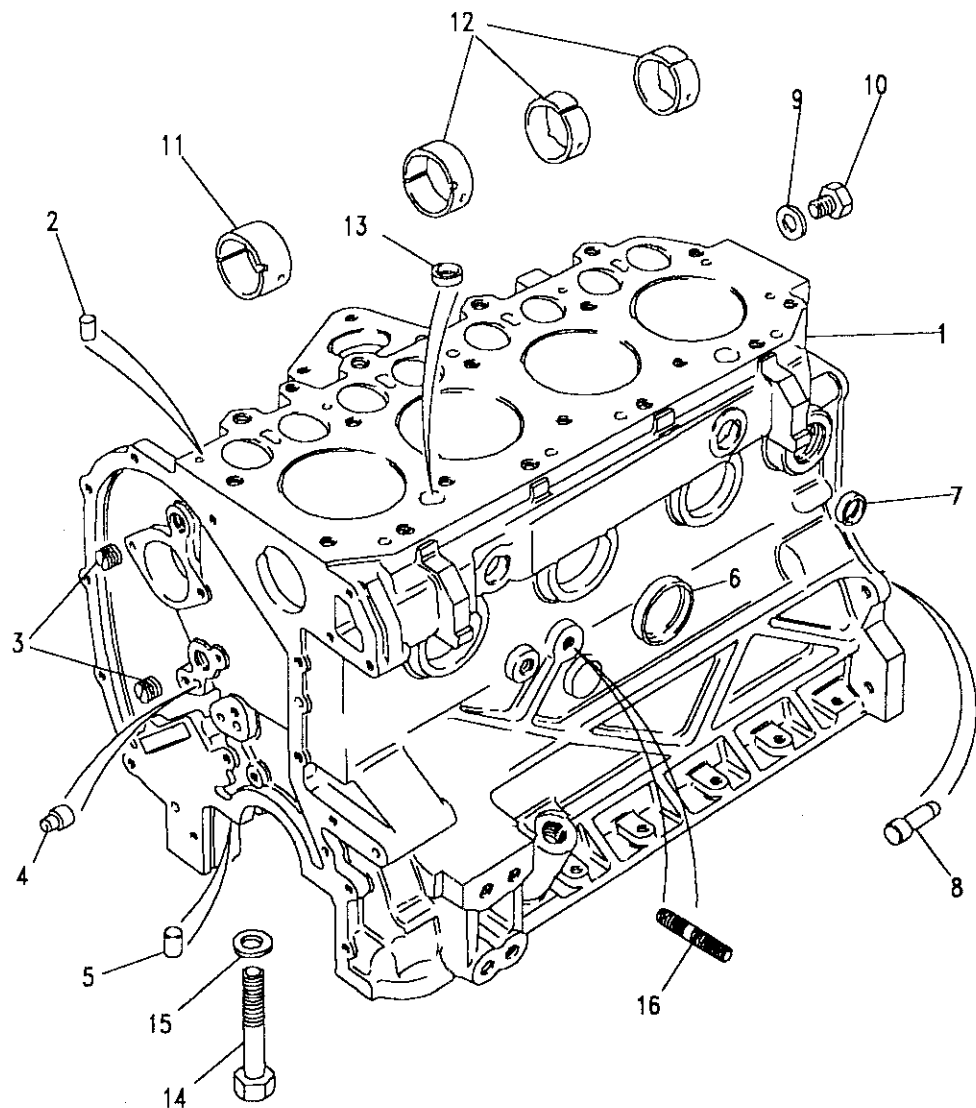
Page AFBGBA1A

ENGINE - CYLINDER BLOCK - 2.5 DIESEL

III. Part No.	Description	Qty	Remarks
1	RTC2991	1	Cylinder block assembly
2	247965	1	Plug-tappet feed hole
3	247127	2	Plug-oil gallery-front
4	ETC4529	1	Cup plug-ft face
5	501593	10	Dowel - bearing caps
6	ERC4996	6	Cup plug-side/ends
7	597586	3	Cup plug-water rail/ends
8	ERC4644	2	Dowel-flywheel housing
9	243959	1	Washer joint-gallery pip
10	536577	2	Plug-gallery pipe rear
11	90519054	1	Bearing-camshaft front
12	90519055	3	Bearing camshaft
13	ERC4995	2	Cup plug-top
14	247755	10	Bolt-main bearing cap
	ETC7596	10	Bolt flanged head
15	504006	10	Washer-main bearing cap
	ERR5034	3	Plug-Camshaft Oil Feed
16	TE108031L	1	Stud-M8 X 15

Note(1)

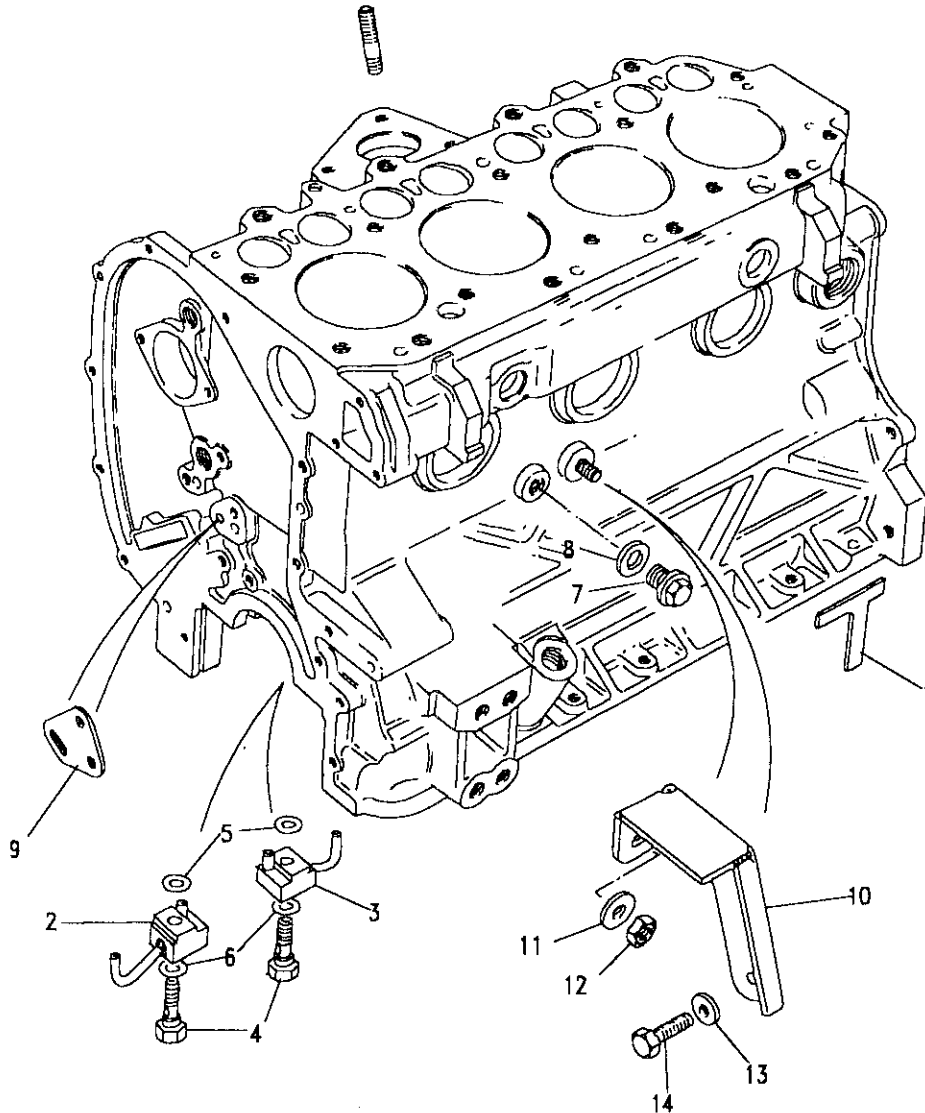
This block used Upto 12J43824C page 74

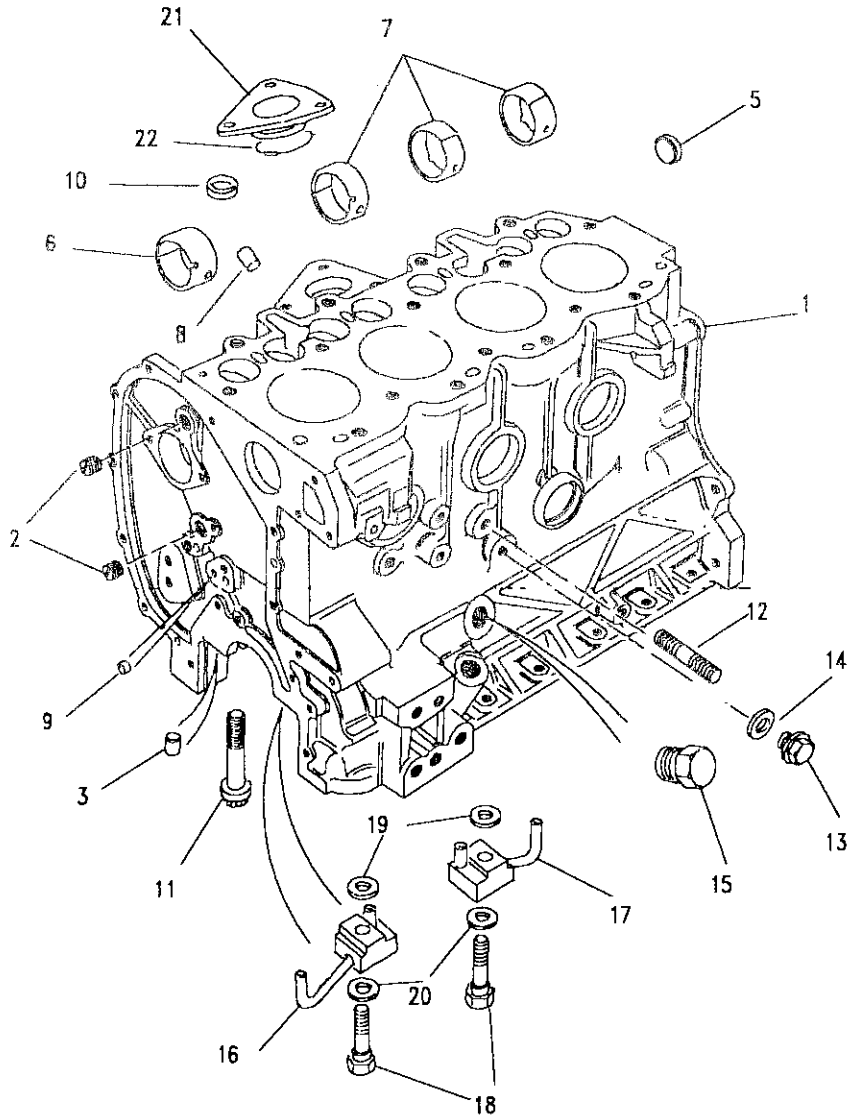


Model DEFENDER 110 1987 onwards  
 Page AFBGBA2A

ENGINE - CYLINDER BLOCK - 2.5 DIESEL

III. Part No.	Description	Qty	Remarks
1	ERC5086	2	Strip packing
2	ETC6531	2	Jet assembly No1&No3 cyl
3	ETC6532	2	Jet assembly No2&No4 cyl
4	ETC5592	4	Valve relief
5	AFU1879L	4	Washer joint
6	AFU1887L	4	Washer joint
7	ERC9410	1	Plug-drain
8	AFU1882L	1	Washer joint-drain plug
9	ERC8864	1	Gasket
10	ETC4697	1	Bracket-starter support
11	WC108051L	1	Washer plain-M8
12	NH108041L	1	Nut-M8
13	WA106041L	2	Washer plain-M6
14	FS106167	2	Screw-M6 X 16mm





**Model** DEFENDER 110 1987 onwards  
**Page** AFBGBA3A

**ENGINE - CYLINDER BLOCK - 2.5 DIESEL**

III. Part No.	Description	Qty	Remarks
1 ERR478	Cylinder block assembly	1	Note(1)
2 247127	Plug-oil gallery	2	
3 501593	Dowel-bearing caps	10	
4 ERC4996	Cup plug-sides/ends	6	
5 597586	Cup plug-water rail ends	3	
6 ETC8442	Bearing-camshaft front	1	
7 90519055	Bearing-camshaft	3	
8 ERR5034	Plug camshaft oil feed	3	
9 ETC4529	Cup plug	1	
10 ERC4995	Cup plug	2	
11 ETC8074	Bolt-main bearing cap	10	
12 TE108031L	Stud-starter motor	1	
13 ETC5577	Plug drain	1	
14 213961	Washer joint	1	
15 ETC8362	Plug-turbo drain	1	
16 ETC6531	Jet assembly No1&No3 cyl	2	
17 ETC6532	Jet assembly No2&No4 cyl	2	
18 ETC5592	Valve relief assembly	4	
19 AFU1879L	Washer joint-oil squirt	4	
20 AFU1887L	Washer joint-oil squirt	4	
21 ERR586	Adaptor-cylinder block	1	
22 ERR531	O ring-adaptor	1	
ERC9188	Liner cylinder	4	

Note(1) This block used from 12J43825C page 72





DEFENDER 110 1987 onwards

75

ENGINE

Model DEFENDER 110 1987 onwards

Page AFBGBC1A

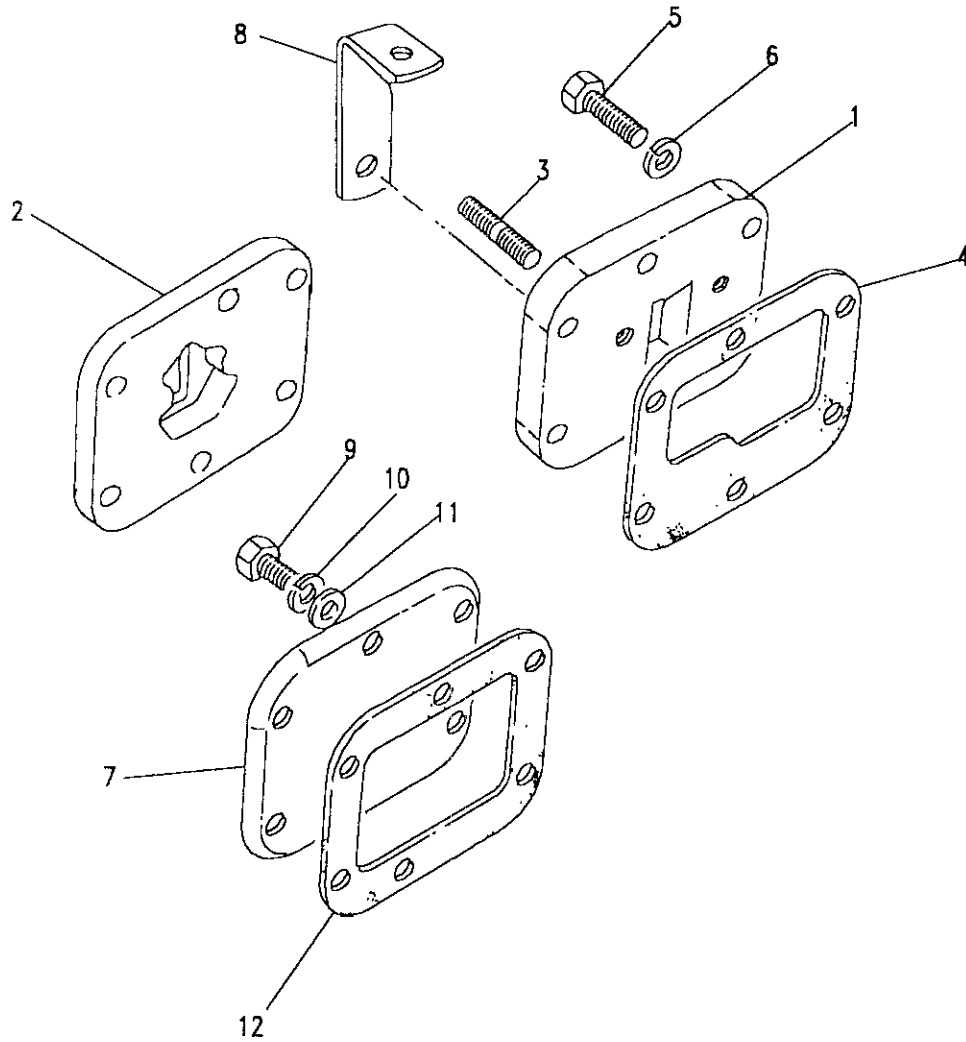
ENGINE - SIDE COVER - 2.5 DIESEL

III. Part No.

Description

Qty Remarks

1	ERC9073	Plate cover	1	Upto 12J39054C
2	ETC7929	Plate cover	1	From 12J39055C
3	TE108041L	Stud	2	Upto 12J39054C
4	ERR1475	Washer joint	1	
5	SH108251L	Screw cover to block	6	
6	WL108001L	Washer	6	
7	541010	Cover side	1	
8	ERC9480	Bracket	1	
9	FS108201L	Screw flanged	3	
	SH108251L	Screw	3	
10	WA108051L	Washer plain	3	
11	WL108001L	Washer spring	6	
12	ERR3605	Gasket side cover engine	1	



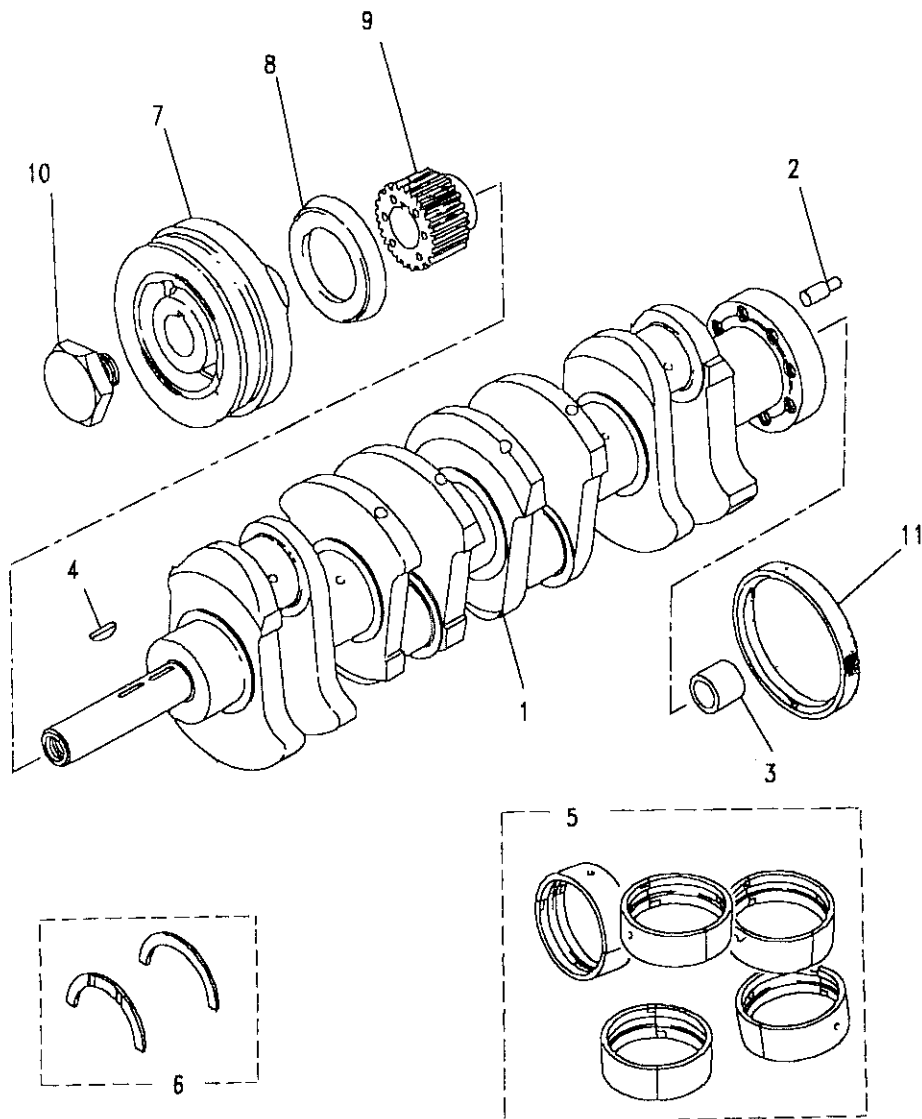
Model DEFENDER 110 1987 onwards

Page AFBGCA1A

ENGINE - CRANKSHAFT - 2.5 DIESEL

III. Part No.	Description	Qty	Remarks
1	ETC8829	1	UptoAUG1989
	ERR1181	1	FromAUG1989
2	ERR1630	1	
3	8566L	1	
4	235770	2	
5	RTC2992	1	}Upto12J43824C
	RTC299210	1	
	RTC4783	1	
	RTC478310	1	
	KIT-THRUST WASHER-PAIRS		
6	RTC2825	A/R	
	538131	A/R	
	538132	A/R	
	538134	A/R	
7	ETC4077	1	BASIC
	ETC4105	1	Note(1)
	ERC6860	1	
	ERC6859	1	
	ERC6861	1	
	SH108251L	4	
	WL108001L	4	
8	ETC4390	1	
9	ERC9765	1	
10	ETC7934	1	
	ERR605	1	}FromAUG1989
	ERR705	1	
11	ERR1535	1	

Note(1) Use with appropriate pulley when AIR CON or P.A.S.is fitted

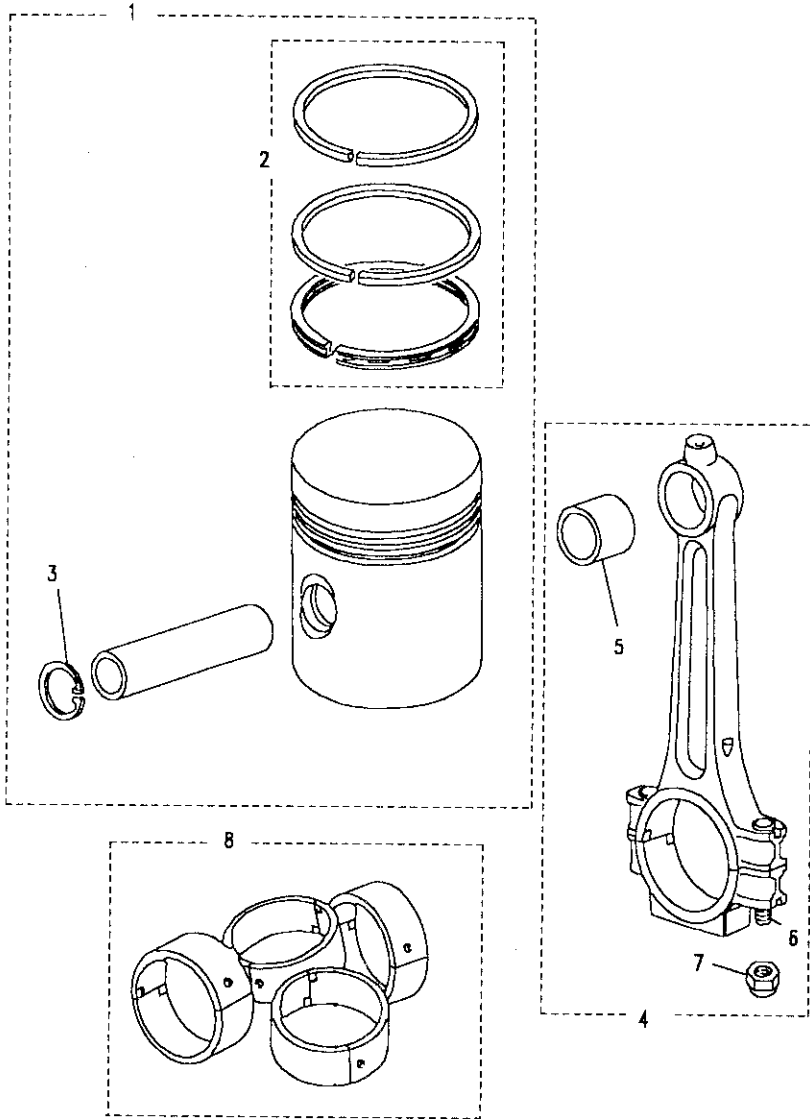




DEFENDER 110 1987 onwards

77

ENGINE



**Model** DEFENDER 110 1987 onwards  
**Page** AFBGCC1A

**ENGINE - PISTONS - 2.5 DIESEL**

Ill. Part No.	Description	Qty	Remarks
1	RTC6442S	4	)Hepworth & )Grandidge
	RTC644220	4	
2	RTC4778S	4	Kit piston rings std
	RTC477820	4	
3	266945	8	Circlip
4	ERR593	4	Con rod assembly
5	247583	4	Bush-gudgeon pin
6	ETC7357	8	Bolt-con rod
7	ETC8191	8	Nut conn rod
<b>Con Rod Bearing: Engine Set</b>			
8	RTC2993	1	Bearing set big end
	RTC299310	1	Bearing set big end
	ERC9188	4	Liner-cylinder 0.010 o/s

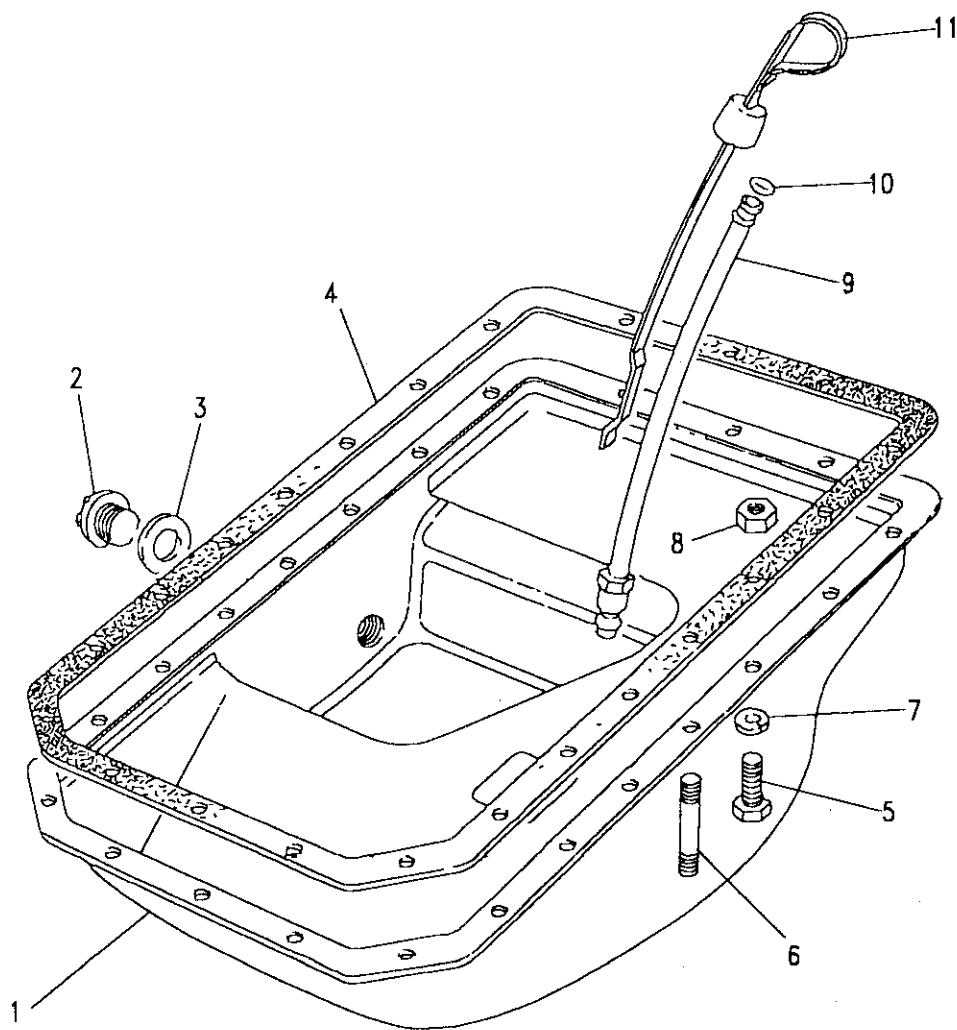


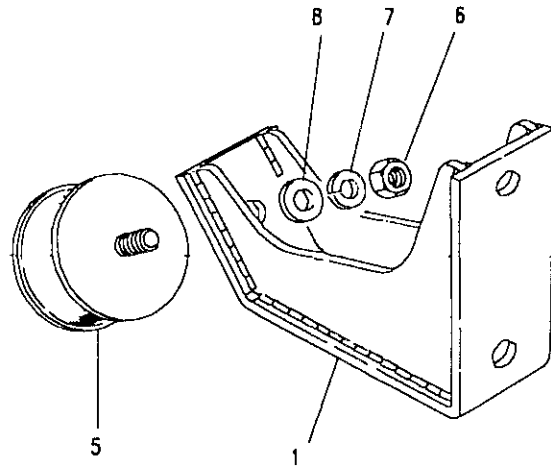
Model DEFENDER 110 1987 onwards

Page AFBGDA1A

ENGINE - SUMP - 2.5 DIESEL

III. Part No.	Description	Qty	Remarks
1	ERR4716	1	Sump crankcase
2	599552	1	Plug drain
3	FRC4808	1	Washer joint
4	546841	1	Washer joint
5	SH108161L	21	Screw M8x16
6	TE108031L	1	Stud M8
7	WL108001L	22	Washer spring
8	NH108041L	1	Nut M8
9	ERC8980	1	Tube-dipstick
10	532387	1	Ring sealing tube
11	ETC7867	1	Dipstick



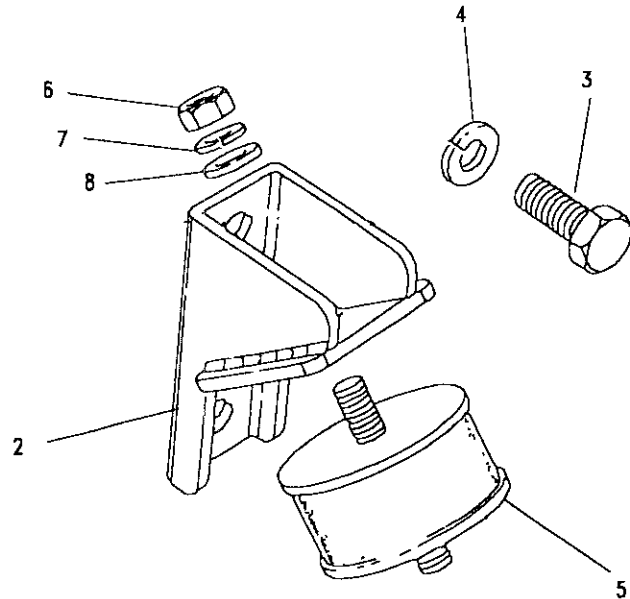


Model DEFENDER 110 1987 onwards  
Page AFBGDC1A

ENGINE - MOUNTINGS - 2.5 DIESEL

III. Part No.	Description	Qty	Remarks
1	NRC5434 Mounting foot-RH	1	
2	NRC9557 Mounting foot-LH	1	
3	SH112251L Screw-foot to block	4	
4	WL112001L Washer-foot to block	4	
5	NRC9560 Rubber engine mounting	2	Note(1)
	ANR1808 Mounting rubber	2	Note(2)
6	NH110041L Nut-rubber to foot	4	
7	WC110061L Washer-rubber to foot	2	
8	WL110001L Washer-rubber to foot	4	

Note(1) Up to chassis JA920703  
Note(2) from chassis JA920703

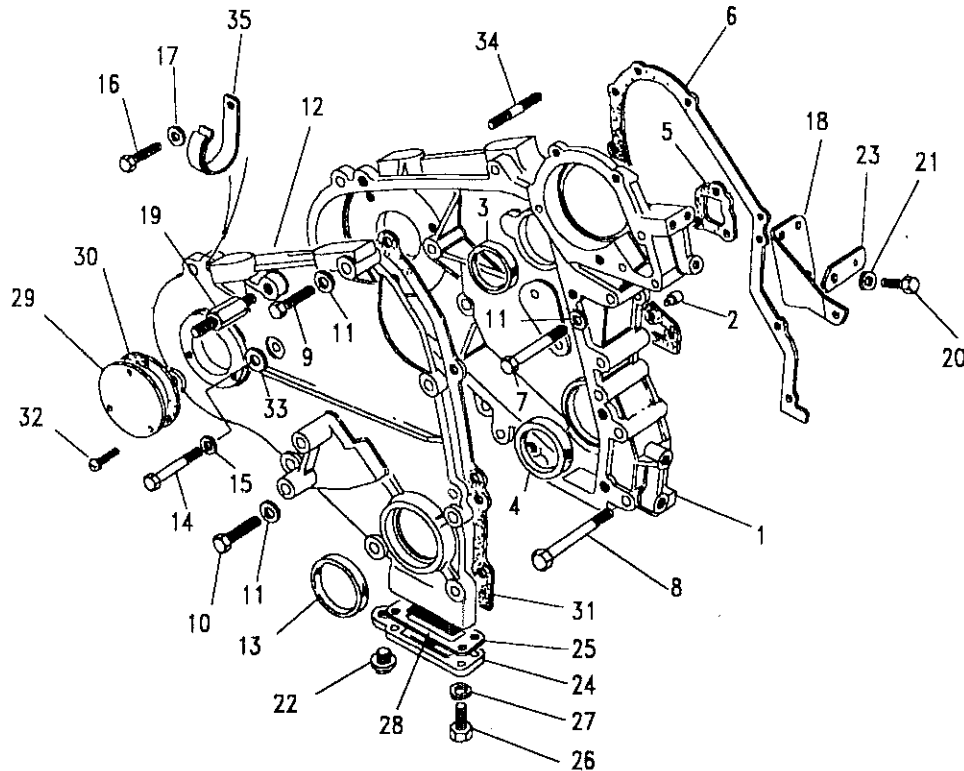






Model DEFENDER 110 1987 onwards  
Page AFBGEA1A

## ENGINE - FRONT COVER - 2.5 DIESEL



Ill. Part No.	Description	Qty	Remarks
1	ETC4421	1	NON AIR CON
	ETC5672	1	AIR CON
2	6395L	4	
3	ETC5064	1	
4	ETC5065	1	
5	ERR1607	1	
6	538039	1	
7	BH108111L	1	
8	FB108121L	4	
9	BH108201L	1	
10	BH108251L	2	
11	WA108051L	8	
12	ETC4422	1	NON AIR CON
	ETC5675	1	AIR CON
13	ETC4154	1	
14	BH108131L	1	
15	WA108051L	1	
16	SH108251L	7	
17	WA108051L	7	
18	ERC6479	1	
19	ETC4996	1	
20	FS108201L	3	
21	WL108001L	3	
22	ERC7295	1	
23	RTC3772	1	

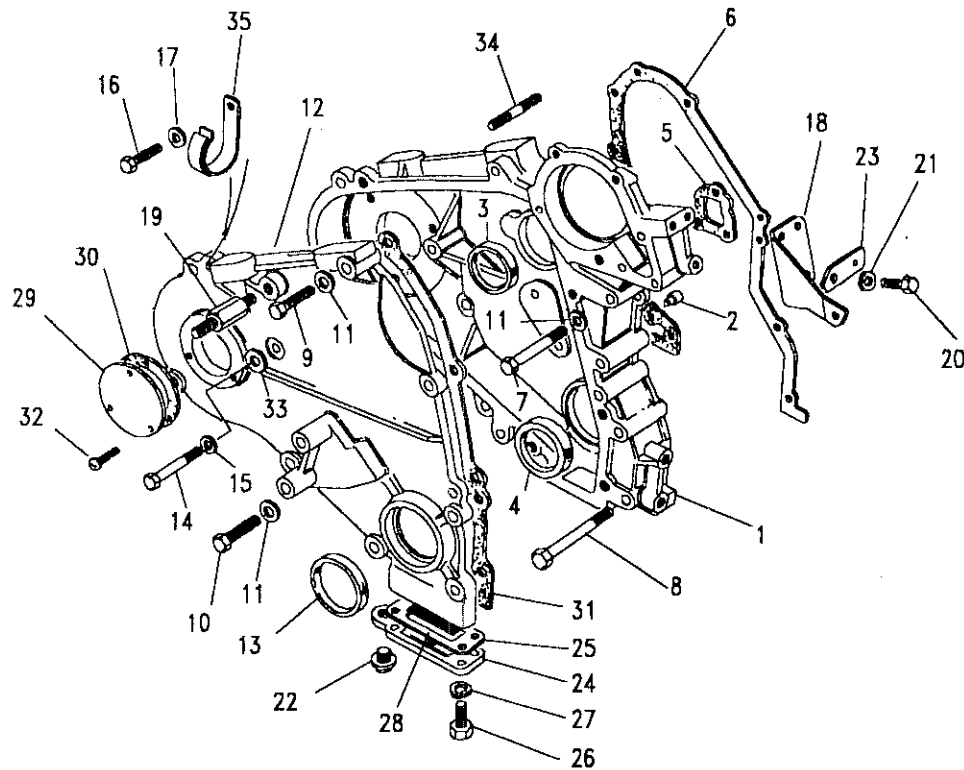




Model DEFENDER 110 1987 onwards  
Page AFBGEA1A

ENGINE - FRONT COVER - 2.5 DIESEL

III. Part No.	Description	Qty	Remarks
24	ETC4058	1	Plate drain
25	ERR3615	1	Gasket front cover
26	FS106201L	4	Screw-plate to cover
27	WA106041L	4	Washer-plate to cover
28	ETC4063	1	Strainer
29	ERC9199	1	Cover plate
30	ERR3614	1	Gasket cover plate
31	ERR3616	1	Gasket front cover
32	SE106121L	3	Screw
33	ERR3604	1	Gasket front cover
34	ETC4873	3	Stud-DPS to front cover
35	ETC4630	1	Bracket mounting





DEFENDER 110 1987 onwards

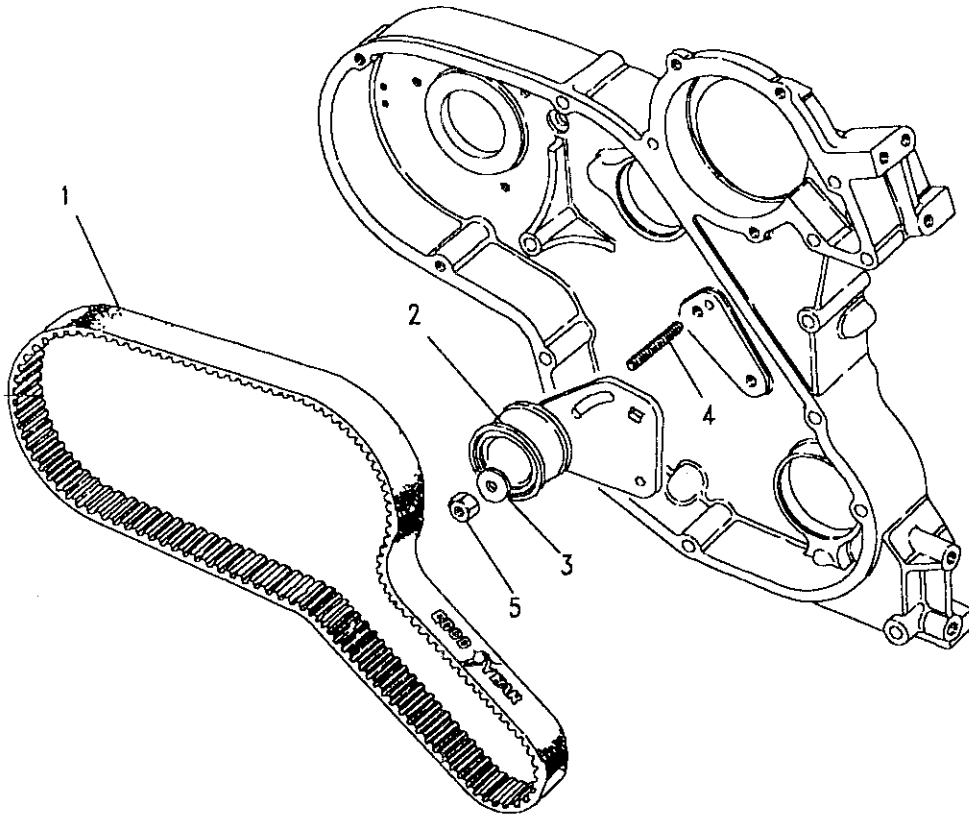
82

ENGINE

**Model** DEFENDER 110 1987 onwards  
**Page** AFBGEC1A

**ENGINE - TIMING BELT - 2.5 DIESEL**

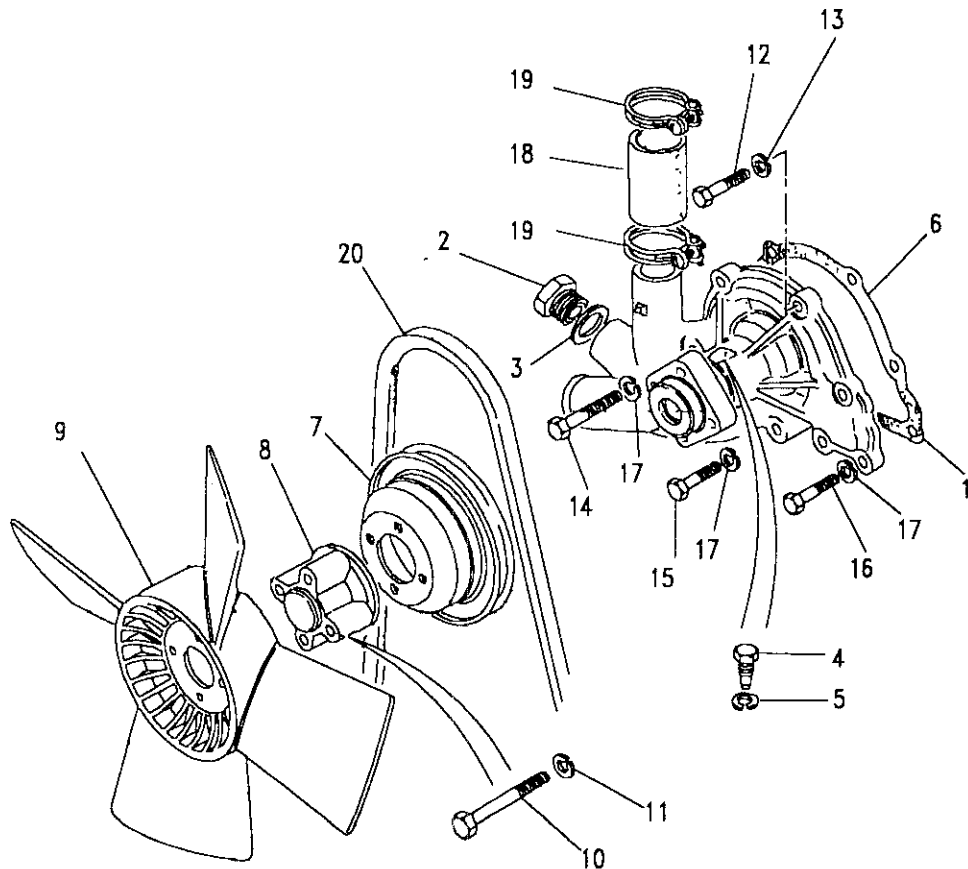
III. Part No.	Description	Qty	Remarks
1 ETC7333	Belt timing	1	
2 ERC8861	Tensioner assembly	1	
3 4594L	Washer	2	
4 TE108061L	Stud	2	
5 NY108041L	Nut	2	



Model DEFENDER 110 1987 onwards  
 Page AFBGEE1A

ENGINE - WATER PUMP - 2.5 DIESEL

III. Part No.	Description	Qty	Remarks
1	STC637	1	BASIC
2	ERC7312	1	
3	232046	1	
4	ERC5600	1	
5	WL106001L	1	
6	ERC5655	1	
7	ERC5578	1	
8	ERC7489	1	
9	ERC5545	1	
10	FB108111L	4	
11	WL108001L	4	
12	FB108061L	3	
13	WL108001L	3	
14	BH108151L	1	
15	BH108161L	2	
16	BH108171L	1	
17	WL108001L	4	
18	ERC5654	1	
19	CN100408L	2	
20	ETC7939	1	

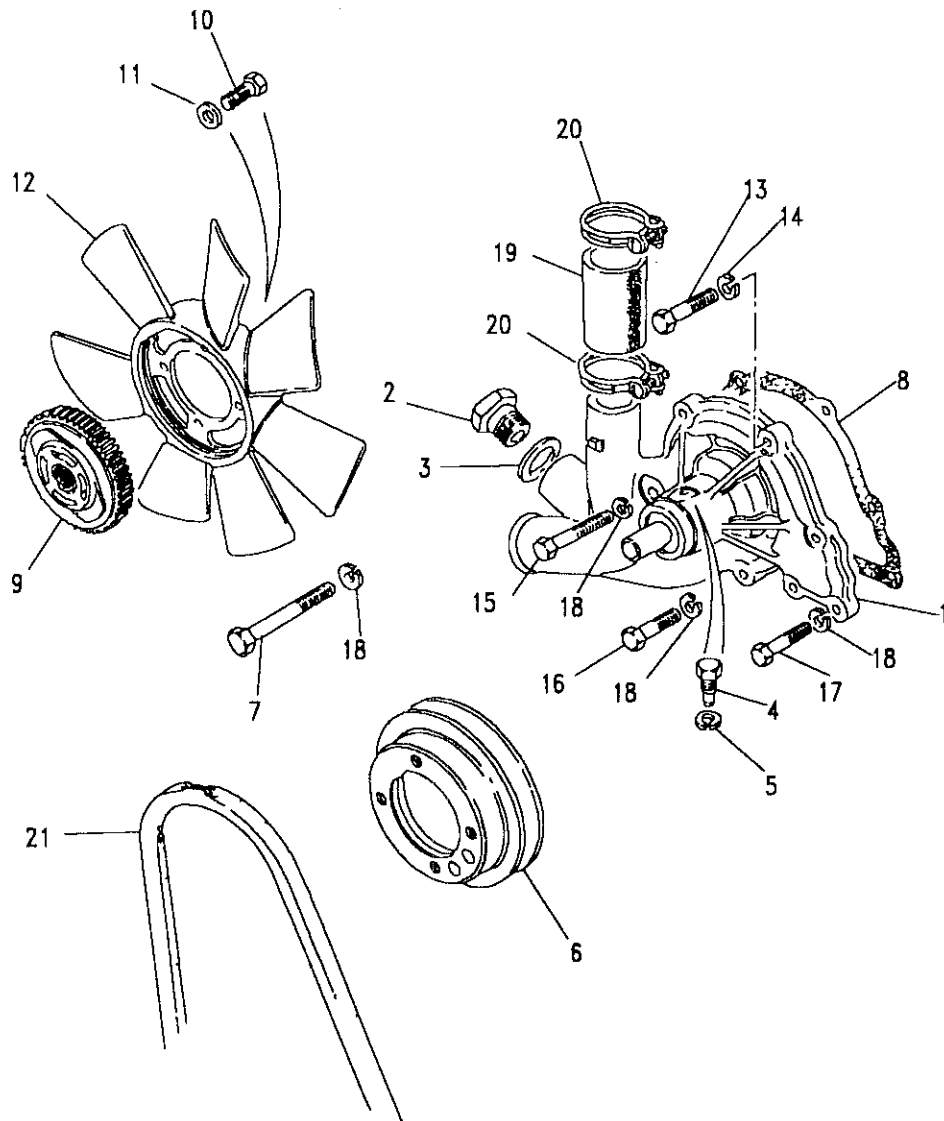


Model DEFENDER 110 1987 onwards

Page AFBGEE2A

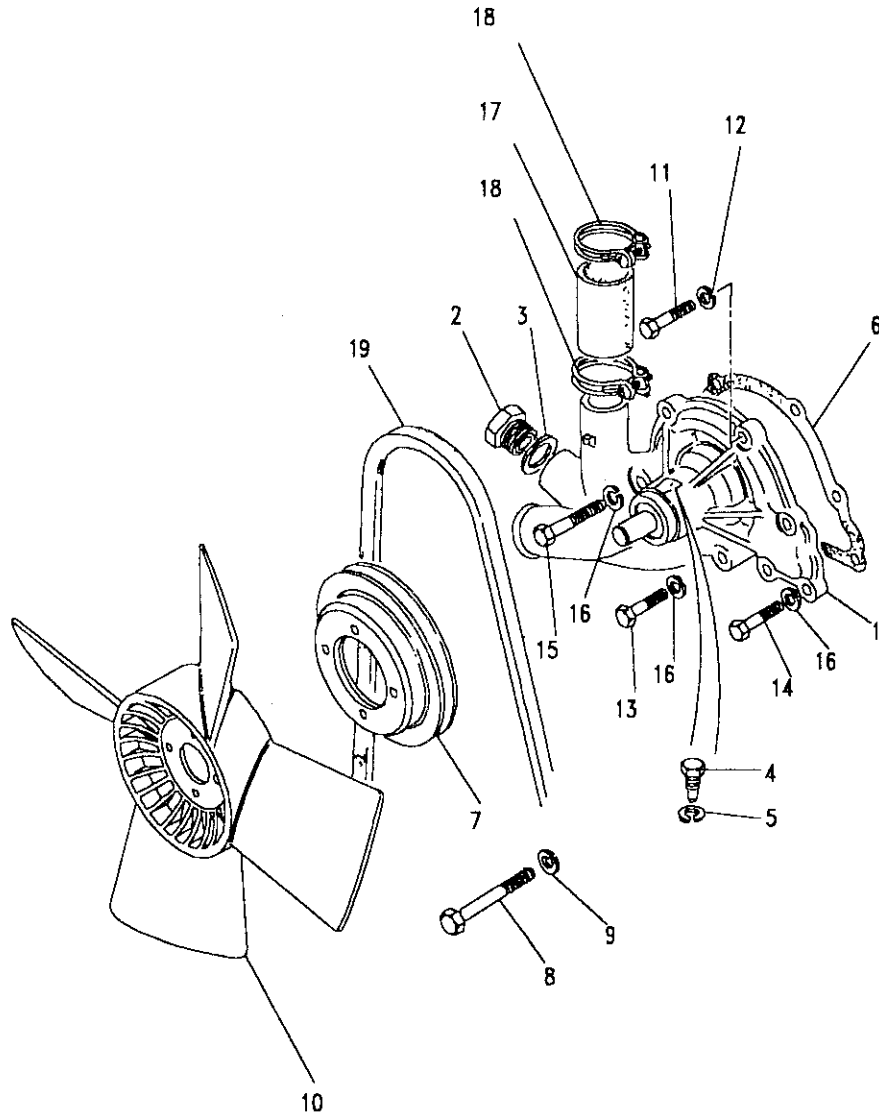
ENGINE - WATER PUMP - 2.5 DIESEL

Ill. Part No.	Description	Qty	Remarks
1	STC635	1	AIR CON
2	ERC7312	1	
3	232046	1	
4	ERC5600	1	
5	WL106001L	1	
6	ETC4457	1	
7	BH106051L	4	
8	ERC5655	1	
9	ERC5708	1	
10	ERC5709	4	
11	4589L	4	
12	ERR3380	1	
13	FB108061	3	
14	WL108001L	3	
15	BH108151L	1	
16	BH108161L	2	
17	BH108171L	1	
18	WL108001L	8	
19	ERC5654	1	
20	CN100408L	2	
21	ETC7939	1	



**Model** DEFENDER 110 1987 onwards  
**Page** AFBGEE3A

**ENGINE - WATER PUMP - 2.5 DIESEL WITH 65 AMP ALTERNATOR**

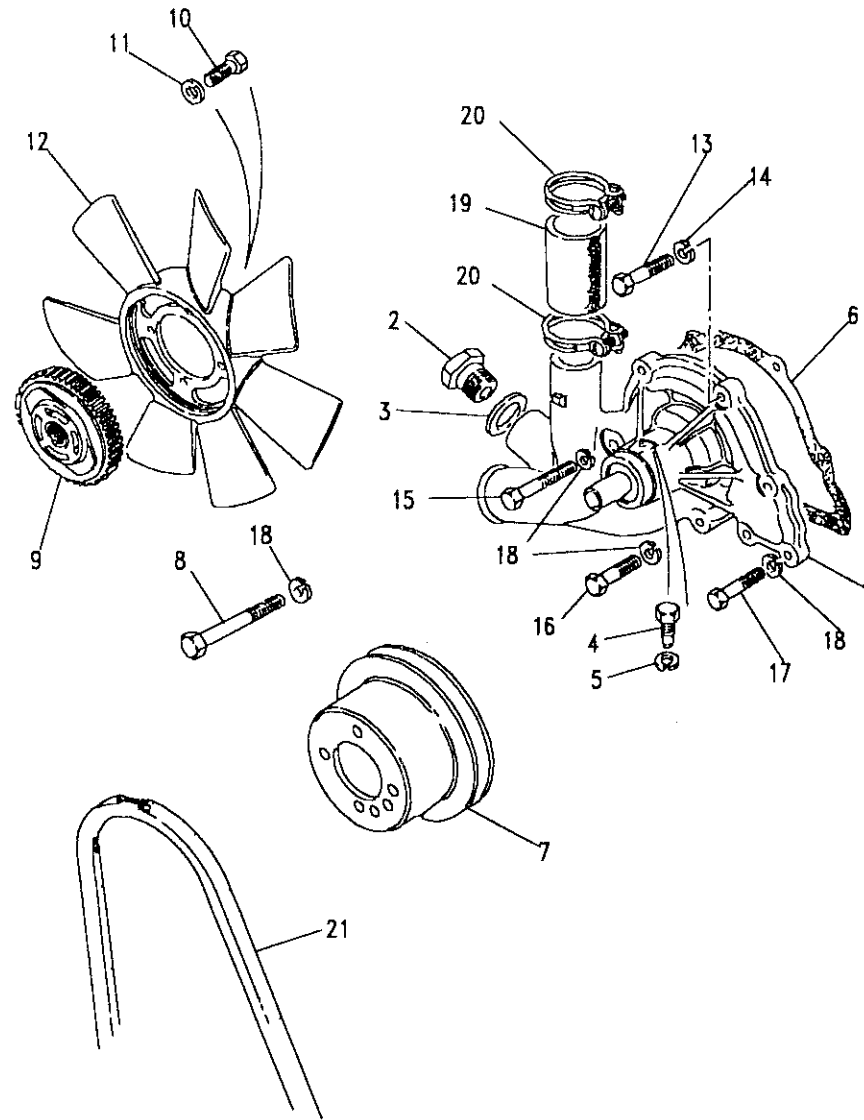


III. Part No.	Description	Qty	Remarks
1	STC637	1	Pump water assembly
2	ERC7312	1	plug-water pump
3	232046	1	Washer joint
4	ERC5600	1	Bolt-special
5	WL106001L	1	Washer spring
6	ERC5655	1	Gasket
7	ETC4650	1	Pulley
8	BH106051L	4	Bolt-pulley to hub
9	WL106001L	4	Washer spring
10	ERC5545	1	Fan
11	FB108061	3	Bolt-pump to cover
12	WL108001L	3	Washer spring
13	BH108151L	1	Bolt-pump to cover
14	BH108161L	2	Bolt-pump to cover
15	BH108171L	1	Bolt-pump to cover
16	WL108001L	4	Washer spring
17	ERC5654	1	Hose-by-pass pipe
18	CN100408L	2	Clip hose
19	ETC7939	1	Belt fan



Model DEFENDER 110 1987 onwards  
 Page AFBGEE4A

ENGINE - WATER PUMP - 2.5 DIESEL - NOISE REDUCTION PACKAGE



III. Part No.	Description	Qty	Remarks
1	STC635	1	Pump water assembly
2	ERC7312	1	Plug-water pump
3	232046	1	Washer joint
4	ERC5600	1	Bolt-special
5	WL106001L	1	Washer spring
6	ERC5655	1	Gasket
7	ETC4785	1	Pulley
8	BH106051L	4	Bolt-pulley to hub
9	ERC5708	1	Viscous unit
10	ERC5709	4	Bolt-viscous unit
11	4589L	4	Washer-viscous unit
12	ERC7834	1	Fan
13	FB108061	3	Bolt-pump to cover
14	WL108001L	3	Washer spring
15	BH108151L	1	Bolt-pump to cover
16	BH108161L	2	Bolt-pump to cover
17	BH108171L	1	Bolt-pump to cover
18	WL108001L	8	Washer spring
19	ERC5654	1	Hose-by-pass
20	CN100408L	2	Clip-hose
21	ETC7939	1	Belt fan

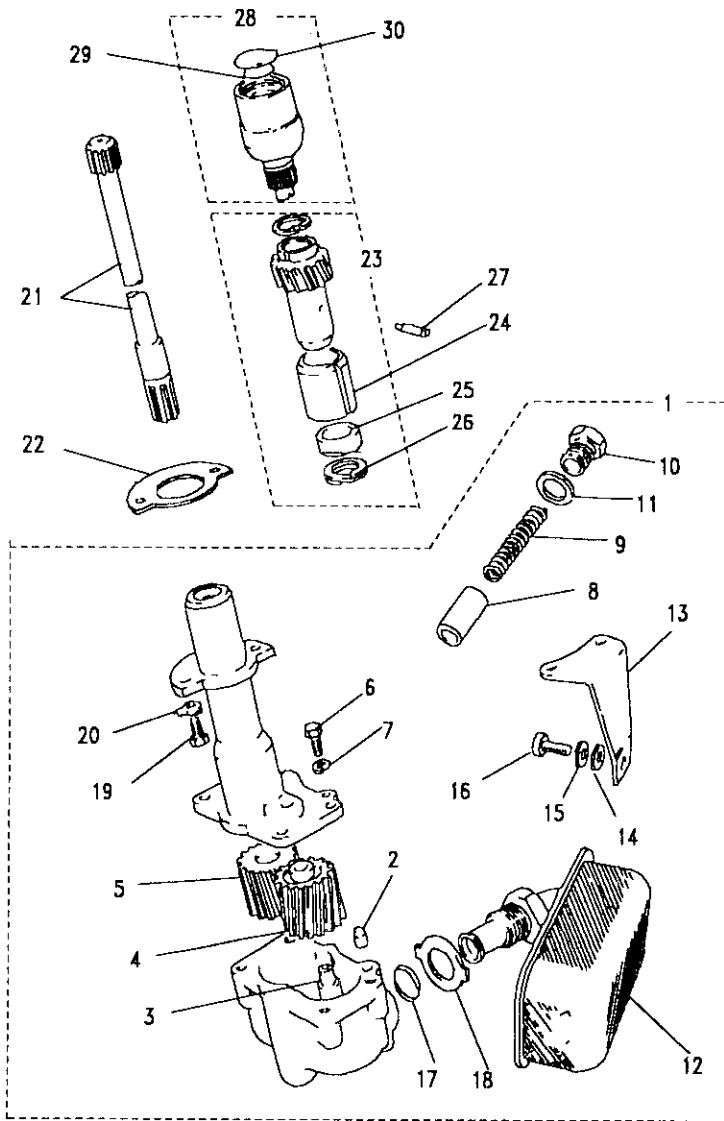




Model DEFENDER 110 1987 onwards

Page AFBGFA1A

ENGINE - OIL PUMP - 2.5 DIESEL



III. Part No.	Description	Qty	Remarks
1	ERR1117	1	Pump oil assembly
2	236257	2	Dowel
3	ERR1063	1	Spindle-idler wheel
4	ERR1088	1	Idler wheel assembly
5	ERC9706	1	Drive wheel
6	FS108201L	4	Screw flanged
7	WL108001L	4	Washer spring
8	ETC4880	1	Plunger-oil relief
9	564456	1	Spring-oil relief
10	564455	1	Plug-oil relief
11	232044	1	Washer joint
12	ERC7530	1	Filter
13	ERC7940	1	Bracket-support
14	WA108051L	1	Washer
15	WL108001L	1	Washer spring
16	FS108201L	1	Screw



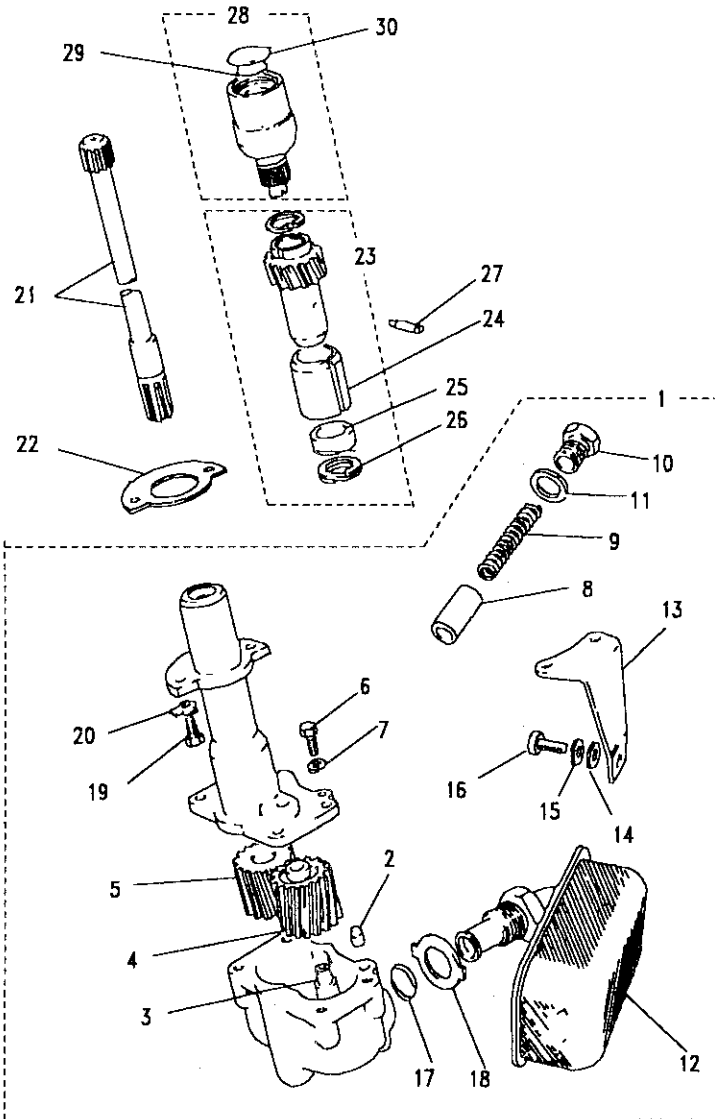


**Model** DEFENDER 110 1987 onwards  
**Page** AFBGFA1A

**ENGINE - OIL PUMP - 2.5 DIESEL**

Ill. Part No.	Description	Qty	Remarks
17	244488	1	'O' ring
18	244487	1	Lock washer
19	SH108251L	2	Screw
20	247665	2	Lock washer
21	ERR850	1	Shaft drive
22	ERR3606	1	Gasket oil pump
23	ETC6139	1	Gear-bush-assembly
24	522745	1	Bush
25	ETC6137	1	Washer thrust
26	ETC6138	1	Ring locking
27	ETC6142	1	Screw-locating shaft
28	ETC4706	1	Coupling
29	RTC6167	1	O ring-inner
30	RTC6168	1	O ring-outer

Note(1) Remove plug before assembly DRIVE SHAFT & COUPLING



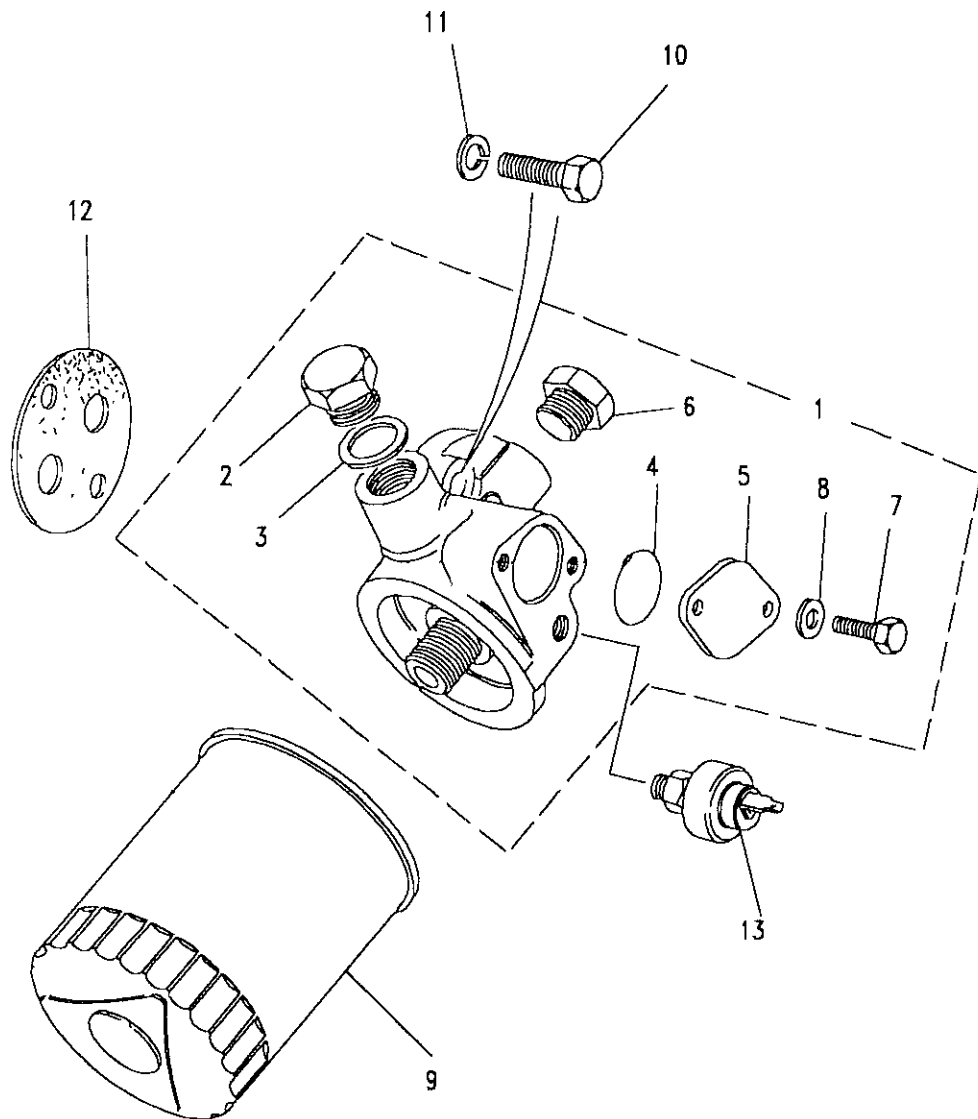
**Model** DEFENDER 110 1987 onwards

**Page** AFBGFA2A

**ENGINE - OIL FILTER - 2.5 DIESEL**

III. Part No.	Description	Qty	Remarks	
1	ETC5347	1	Note(1)	
2	RTC6851	1	Plug	
3	213961	1	Washer	
4	ERC5913	1	O ring	
5	ERC9884	1	plate end	
6	ETC4021	1	Plug	
7	SH106141L	2	Screw	
8	WA106041L	2	Washer	
9	ERR3340	1	Element oil filter	
10	SH110301L	2	Screw-filter to block	
11	WL110001L	2	Washer-filter to block	
12	ERR4934	1	Gasket oil filter housing	
13	PRC6387	1	Switch oil pressure	
	PRC4043	1	Transmitter oil pressure	)
	ETC4033	1	Adaptor-O.P. switch	) OPTIONAL
	ETC4034	1	Banjo-O.P. switch	)
	PRC4372	1	Transmitter temperature	)

Note(1) ETC5347 is interchangeable with ETC6519(includes filter)

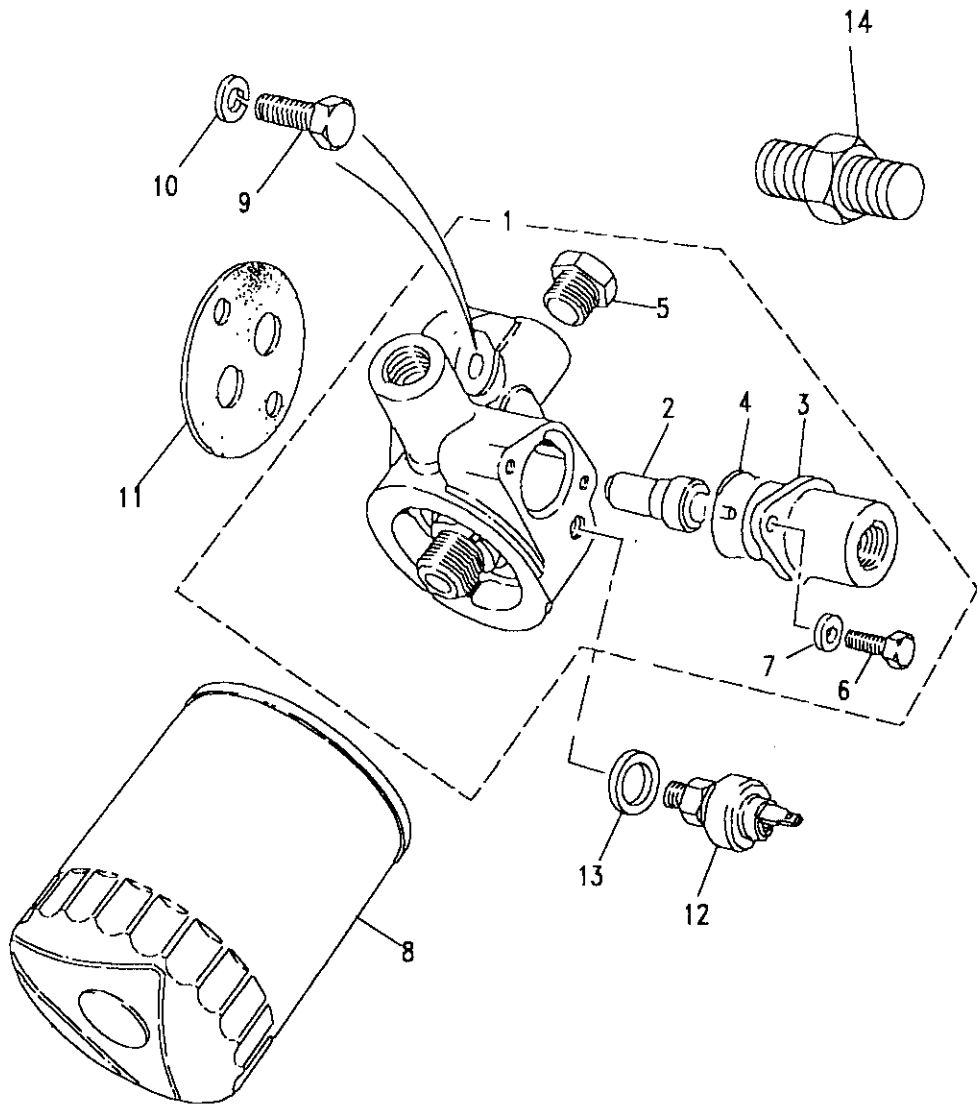




Model DEFENDER 110 1987 onwards  
 Page AFBGFA3A

ENGINE - OIL FILTER - 2.5 DIESEL WITH OIL COOLER

III. Part No.	Description	Qty	Remarks	
1	ERR1347	1	Adaptor oil assembly	
2	ERC5923	1	Bulb thermostat	
3	ETC4022	1	Adaptor	
4	ERC5913	1	O ring	
5	ETC4021	1	Plug	
6	SH106141L	2	Screw	
7	WA106041L	2	Washer	
8	ERR3340	1	Element-oil filter	
9	SH110301L	2	Screw-filter to block	
10	WL110001L	2	Washer-filter to block	
11	ERR4934	1	Gasket oil filter housing	
12	PRC6387	1	Switch oil pressure	
13	232039	1	Washer joint-switch	
14	NRC8618	1	Coupling	
	PRC4043	1	Transmitter	} OPTIONAL
	ETC4033	1	Adaptor-oil pressure	
	ETC4034	1	Banjo-oil pressure switch	
	PRC4372	1	Transmitter temperature	



Model DEFENDER 110 1987 onwards

Page AFBGGA1A

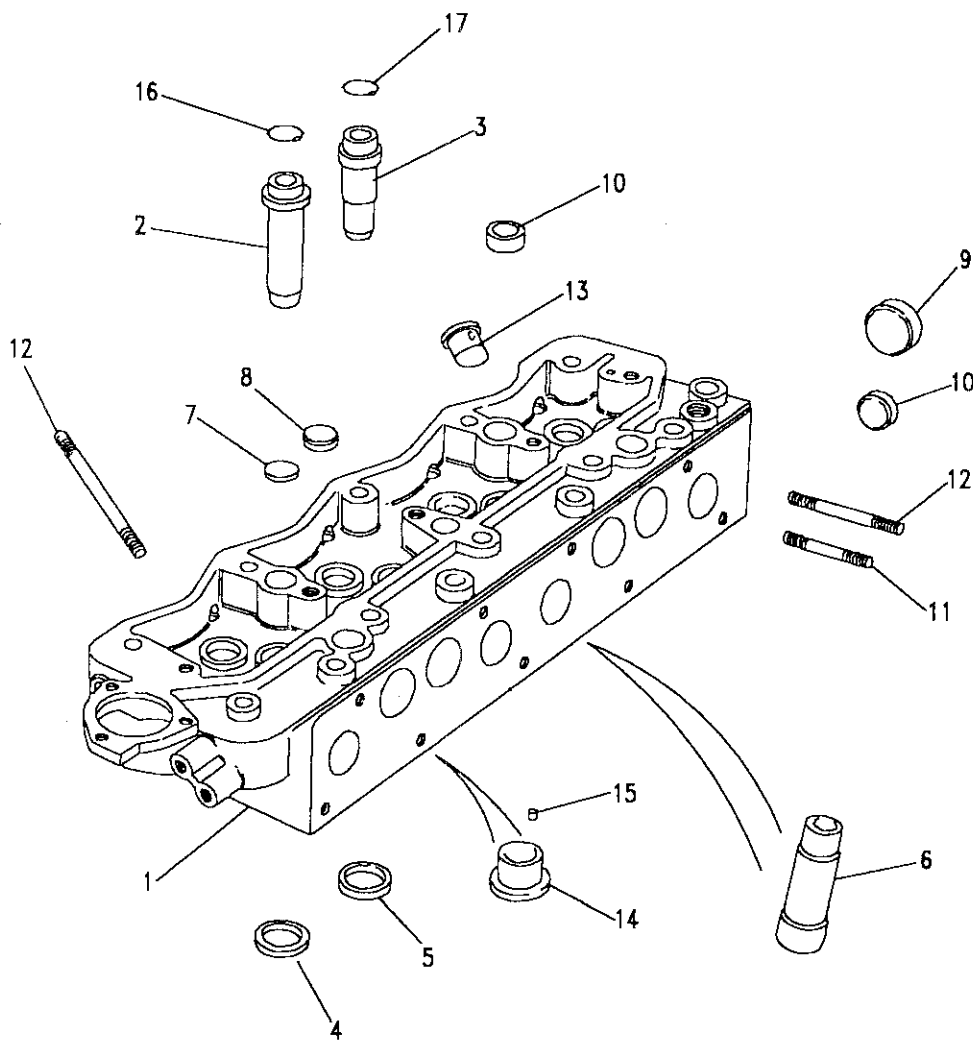
ENGINE - CYLINDER HEAD - 2.5 DIESEL

III. Part No.

Description

Qty Remarks

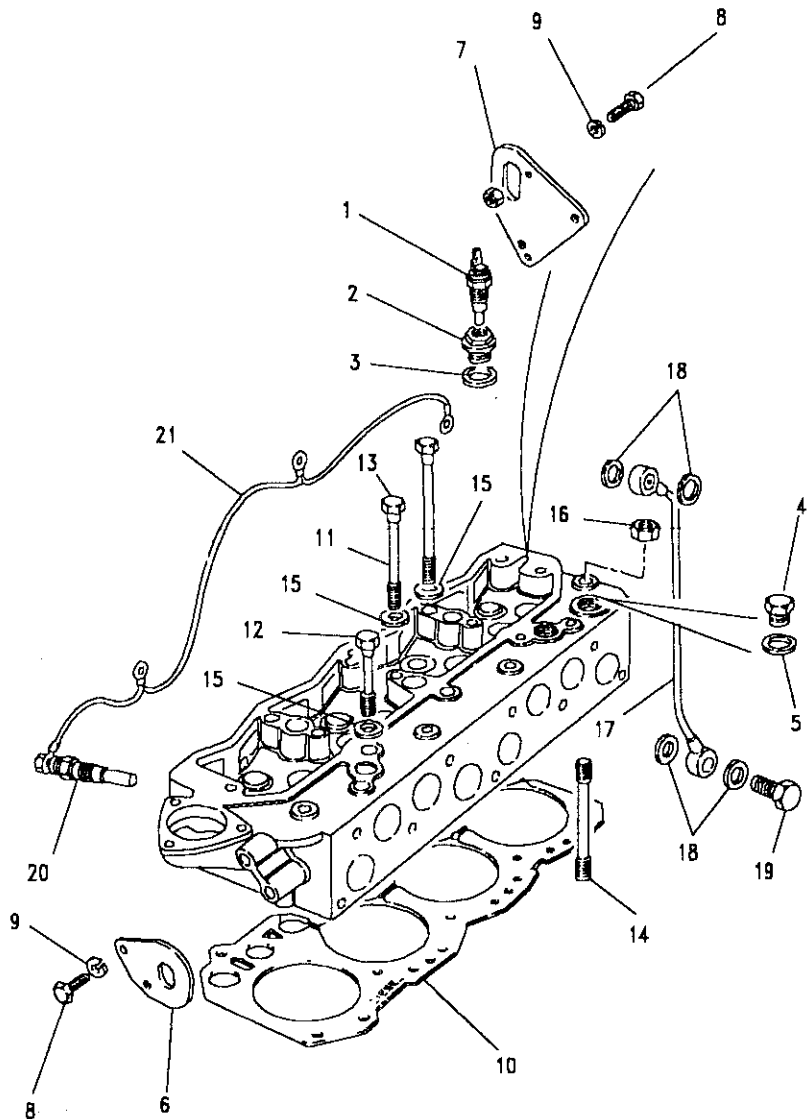
1	ETC4649	Cylinder head assembly	1	UptoAPRIL1989
	STC803	Cylinder head assembly	1	FromAPRIL1989
2	568688	Guide valve inlet	4	
3	SFR47	Guide valve exhaust	4	
4	ERC9631	Insert-valve seat-Exh	4	
5	ETC4643	Insert-valve seat-inlet	4	
6	ERC8663	Tube-push rod	8	
7	250830	Plug-welch	2	
8	525497	Plug-cup	9	
9	524765	Plug-cup	1	
10	602289	Plug-cup	2	
11	TE108051L	Stud-manifold fixing	5	
12	TE108071L	Stud	12	
13	ERC9501	Shroud-injector	4	
14	ETC8620	Hot plug	4	
15	PA105101L	Peg locating-hot plug	4	
16	ERR1510	Seal-inlet valve	4	
17	ETC4751	Seal-exhaust valve	4	





**Model** DEFENDER 110 1987 onwards  
**Page** AFBGGA2A

**ENGINE - CYLINDER HEAD - 2.5 DIESEL**



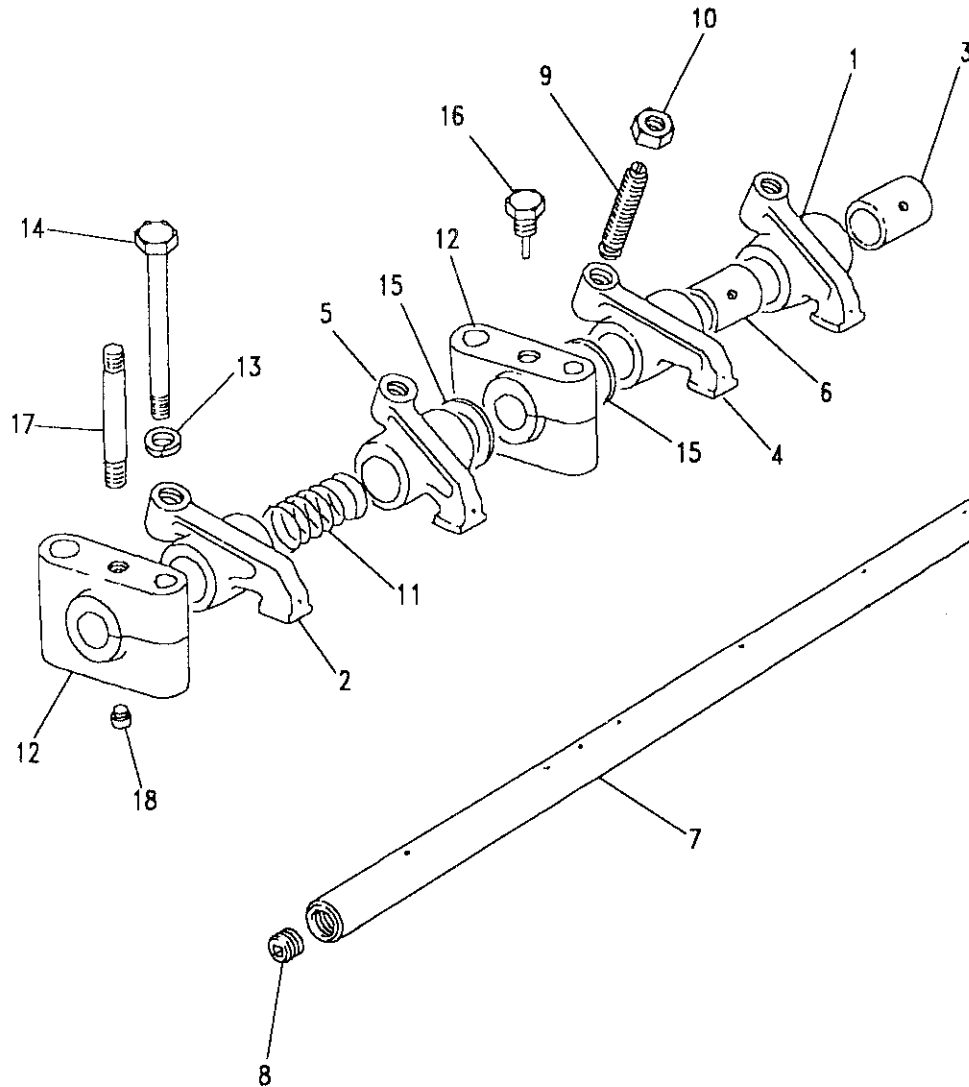
III. Part No.	Description	Qty	Remarks
1	PRC2505	1	UptoAPRIL1989
	PRC6663	1	FromAPRIL1989
2	ERC9432	1	UptoAPRIL1989
3	10802070	1	
4	ERC9448	1	
	RTC6851	1	FromAPRIL1989
5	AFU1890L	1	
	243960	1	FromAPRIL1989
6	ERC2254	1	
7	ETC7135	1	
8	FS108207	4	
9	WL108001L	4	
10	ERR3618	1	
11	247051	9	
12	247683	2	
13	247723	5	
14	90518466	2	
15	ERC6821	18	
16	NH608061L	2	
17	275679	1	
18	ETC6510	4	
19	ETC4498	2	
20	ERC8450	4	
21	PRC6295	1	



**Model** DEFENDER 110 1987 onwards  
**Page** AFBGGC1A

**ENGINE - ROCKER SHAFT - 2.5 DIESEL**

III. Part No.	Description	Qty	Remarks
1	ERC9060	2	Rocker arm exhaust RH
2	ERC9059	2	Rocker arm exhaust LH
3	247738	4	Bush-exhaust rockers
4	ERC9056	2	Rocker arm inlet RH
5	ERC9055	2	Rocker arm inlet LH
6	247737	4	Bush-inlet rockers
7	ERC6341	1	Shaft
8	ERC6337	2	Plug-shaft
9	ERC9054	8	Screw-tappet adjuster
10	NT108041L	8	Locknut-M8
11	247040	4	Spring
12	ERC9137	5	Bracket-rocker shaft
13	WL108001L	5	Washer spring
14	FB108111L	5	Bolt flanged
15	247153	8	Washer-rocker shaft
16	ETC4460	1	Screw-shaft location
17	TD108091L	3	Stud-M8-rocker cover
18	277956	3	Dowel-rocker

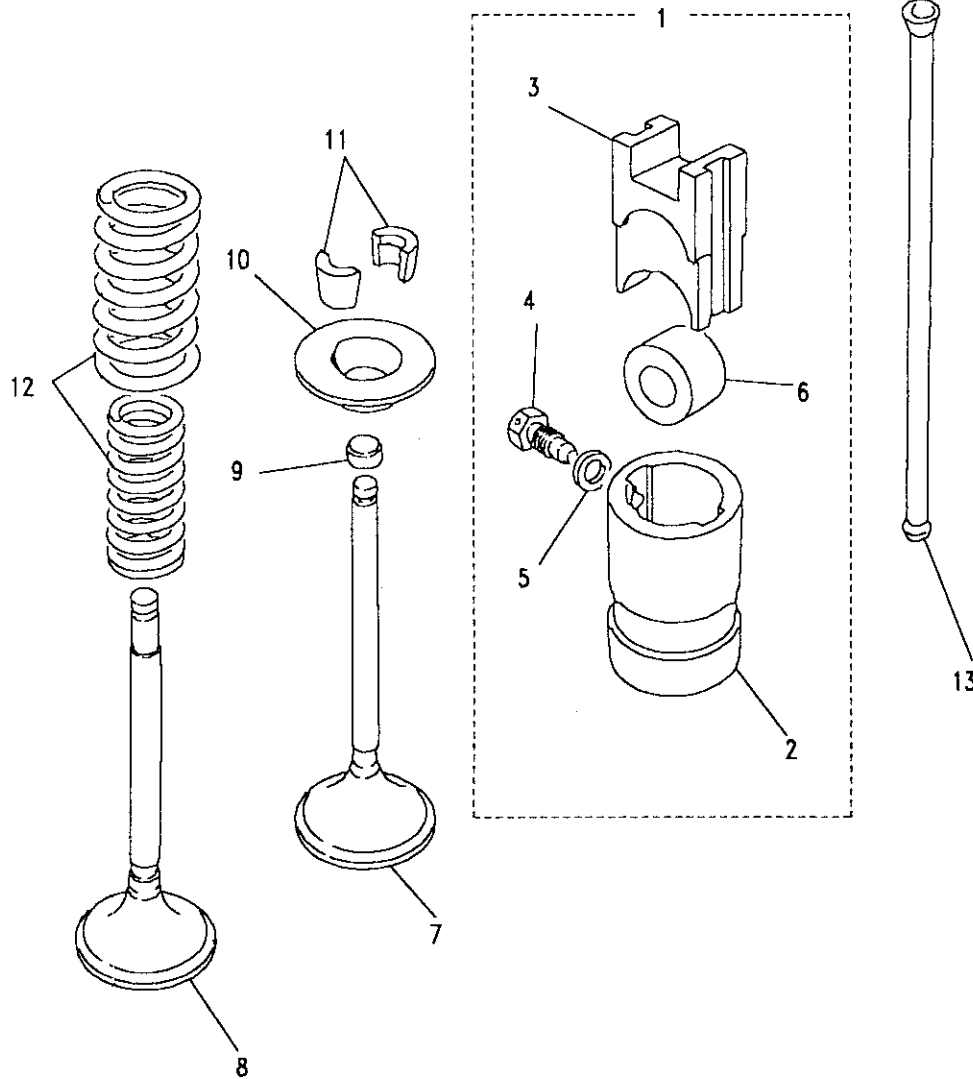


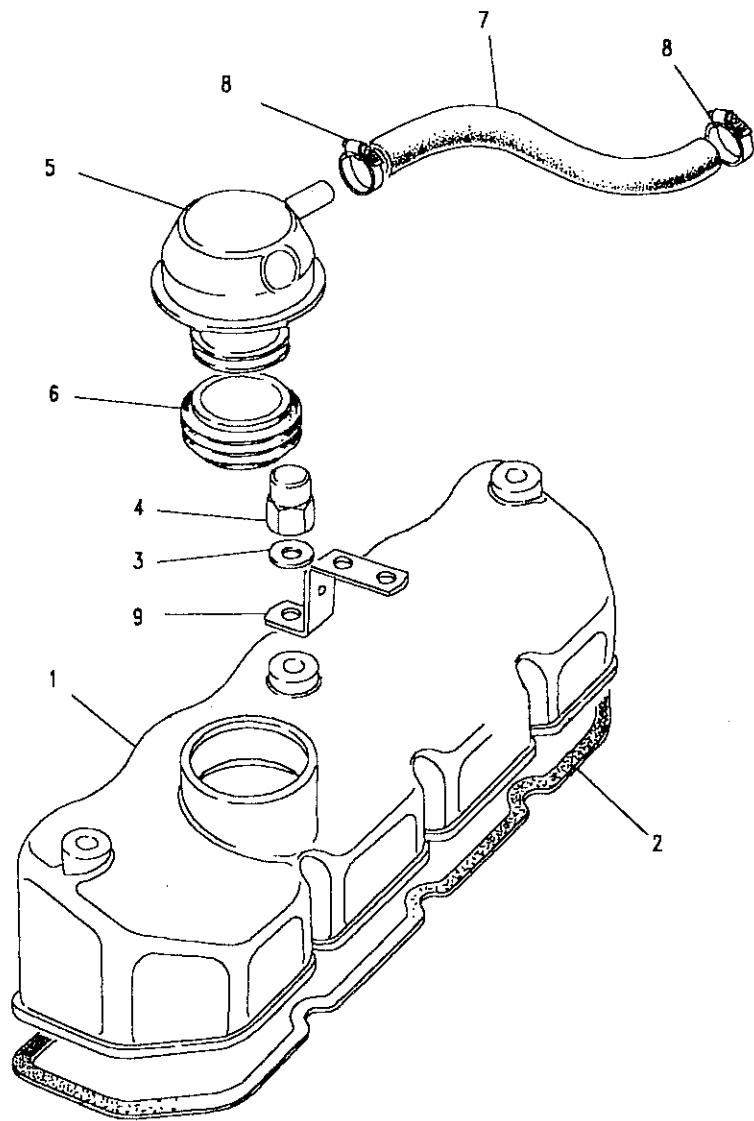
Model DEFENDER 110 1987 onwards  
 Page AFBGGE1A

ENGINE - TAPPETS - 2.5 DIESEL

Ill. Part No.	Description	Qty	Remarks
1	507829 Tappet assembly	8	
2	502473 Guide tappet	8	
3	ERR607 Tappet slide	8	
4	ETC4246 Bolt-set	8	
5	273069 Washer-tappet guide	8	
6	ERR561 Roller follower	8	
7	ETC5739 Valve-inlet	4	
8	ETC5740 Valve-exhaust	4	
9	ERR4175 Cap valve cylinder head	8	Note(1)
10	ETC4068 Cup-valve springs	8	
11	ETC4069 Cotter split	16	
12	ERR4640 Valve spring	8	
13	546799 Push rod	8	

Note(1) ERR1158 can be fitted if valve stem or rockers are worn





Model DEFENDER 110 1987 onwards

Page AFBGGG1A

ENGINE - ROCKER COVER - 2.5 DIESEL

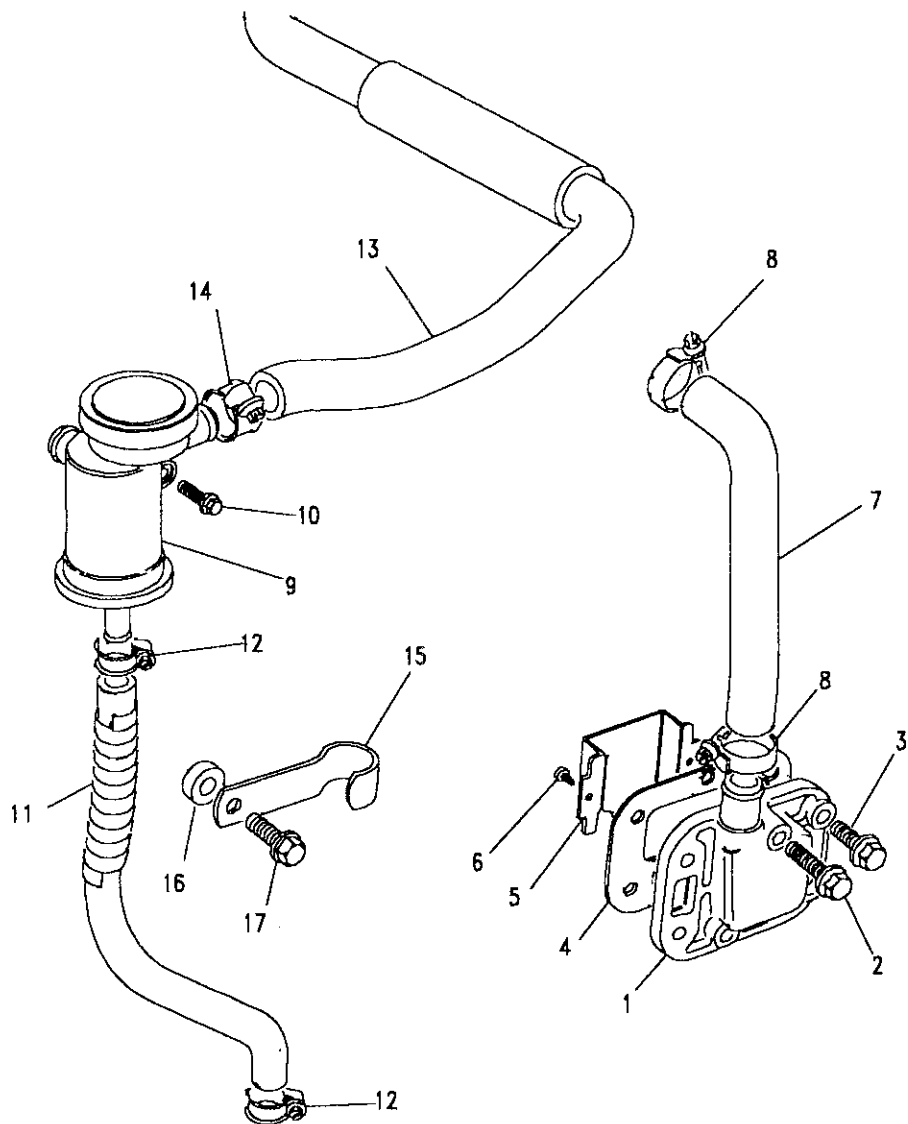
III. Part No.	Description	Qty	Remarks
1	ETC6924	1	Rocker cover assembly
2	ETC6438	1	Gasket-cover to cylinder
3	273069	3	Washer joint
4	ERC9220	3	Nut-dome-M8
5	ERR1454	1	Breather filter
	ERR737	1	Breather filter
6	ERR736	1	'O' ring
7	ERC9728	1	Hose breather to manifold
	ETC7969	1	Hose breather to manifold
8	RTC3499	2	Clip hose
9	ETC5588	1	Bracket



**Model** DEFENDER 110 1987 onwards  
**Page** AFBGGG2A

**ENGINE - CYCLONE BREATHER ASSEMBLY - 2.5 DIESEL**

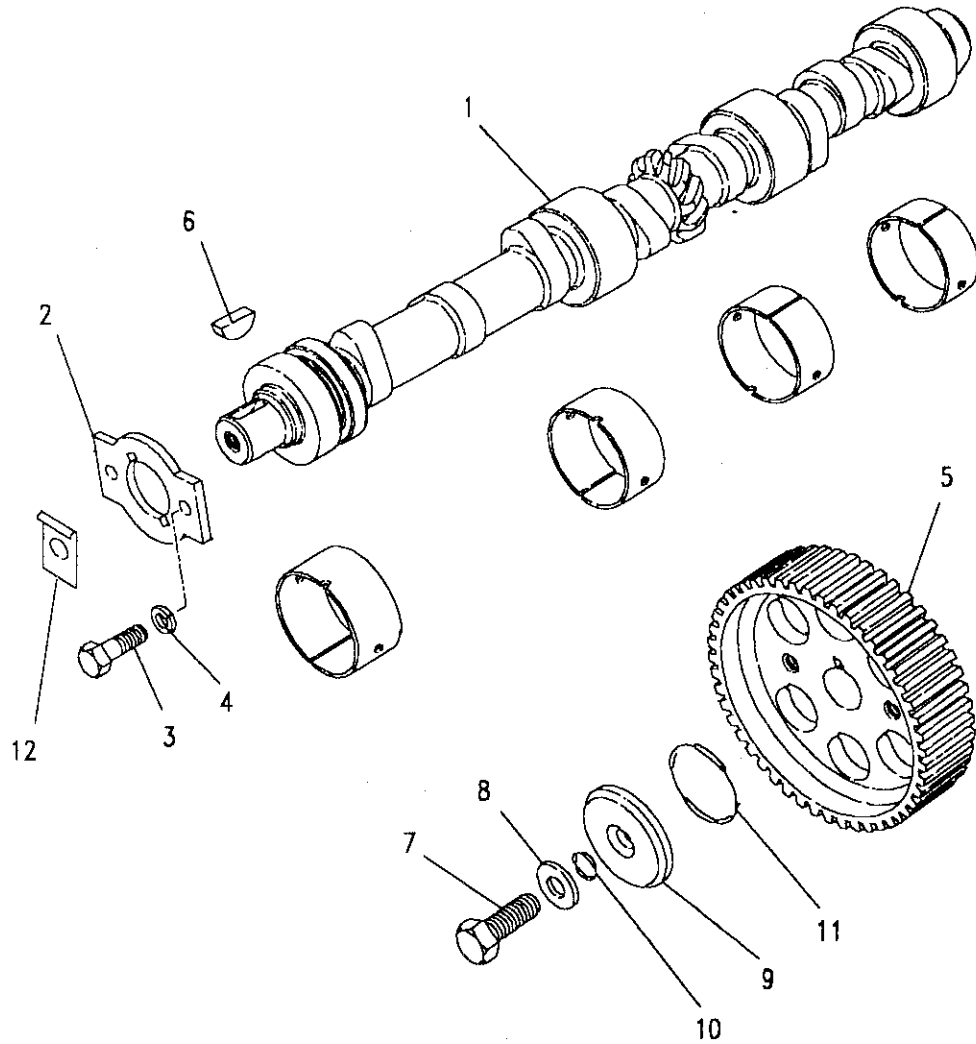
Ill. Part No.	Description	Qty	Remarks
1	ERR506	1	Cover side breather assy
2	FB108081L	1	Bolt flanged
3	FS108251L	5	Screw flange M8x25
4	247555	1	Gasket-side cover
5	ERR874	1	Baffle plate-side cover
6	79026	1	Screw No6
7	ERR877	1	Hose-side to rock/cover
8	CN100258L	2	Clip-worm-hose
9	ERR1471	1	Breather cyclone
10	FB106121L	2	Screw flange M6x60
11	ERR1605	1	Hose-cyclone oil drain
12	CN100208L	2	Clip-worm-hose
13	ERR1729	1	Hose-cyclone to air/clean
14	CN100258L	2	Clip-worm-hose
15	ERR878	1	Clip-oil drain hose
16	ERR879	1	Spacer-clip-oil drain
17	SH110201L	1	Screw flange M10x20

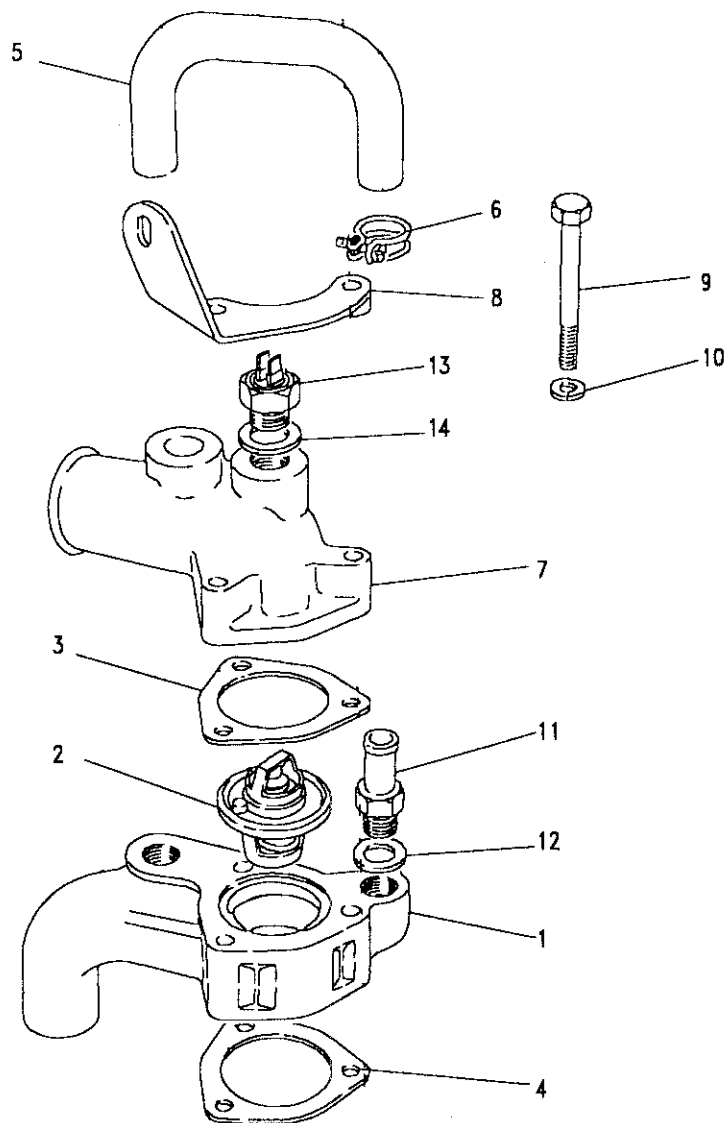


Model DEFENDER 110 1987 onwards  
 Page AFBGG11A

ENGINE - CAMSHAFT - 2.5 DIESEL

III. Part No.	Description	Qty	Remarks
1	ETC7128 Camshaft	1	
2	ERC1561 Plate thrust-camshaft	1	
3	FS106167 Screw	2	
4	WL106001L Washer spring	2	
5	ETC4014 Pulley	1	
6	230313 Key woodruff	1	
7	BX110071L Bolt	1	
8	ETC4670 Washer	1	
9	ERC8847 Plate retaining	1	
10	ERC8849 'O' ring	1	
11	ETC4076 'O' ring	1	
12	2995 Locker	2	





**Model** DEFENDER 110 1987 onwards  
**Page** AFBGGK1A

### ENGINE - THERMOSTAT HOUSING - 2.5 DIESEL

III. Part No.	Description	Qty	Remarks
1 ERC8758	Thermostat housing	1	
2 602687	Thermostat 82o	1	
ETC4761	Thermostat 74o	1	OPTIONAL
3 ERR3682	Gasket thermostat housing	1	
4 247874	Gasket-thermo housing	1	
5 ERC7510	Hose-connecting adaptors	1	
6 CN100258L	Clip hose	2	
7 ETC5967	Outlet water connector	1	BASIC
ETC5958	Outlet water connector	1	AIR CON
8 ETC5965	Bracket-cowl mounting	1	
9 BH106151L	Bolt	3	
10 WL106001L	Washer spring	3	
11 624091	Adaptor	2	
12 243959	Washer joint	2	
13 PRC3366	Switch-temperature sensor	1	Note(1)
PRC3541	Switch-temperature sensor	1	Note(2)
14 C457593L	Washer-copper	2	

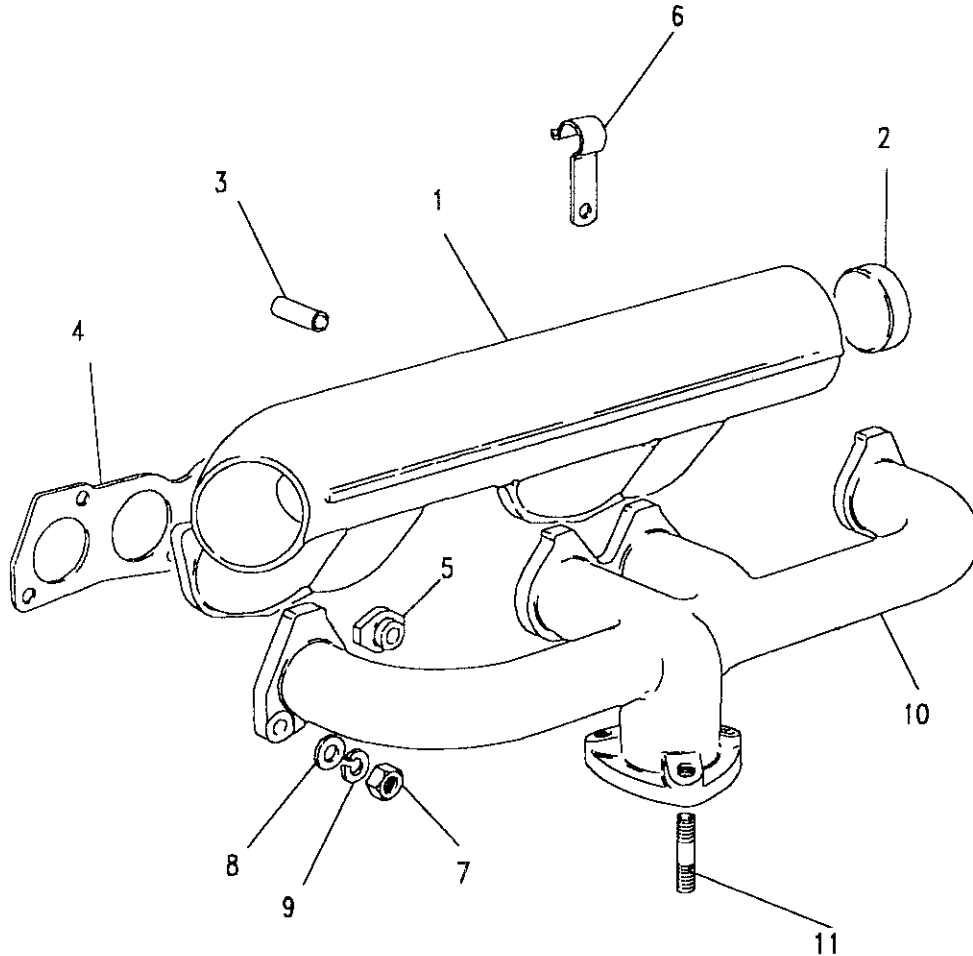
Note(1) Identified by GREEN paint  
 Note(2) Identified by RED paint



**Model** DEFENDER 110 1987 onwards  
**Page** AFBGHA1A

**ENGINE - MANIFOLDS - 2.5 DIESEL**

III. Part No.	Description	Qty	Remarks
1 ERC6939	Manifold inlet	1	Upto 12J42593C
ERR362	Manifold inlet	1	From 12J42594C
2 525428	Plug-cup	1	
3 ERC6047	Tube	1	
4 ETC5312	Gasket-manifold to head	1	Upto12J48876C
ETC7750	Gasket-manifold to head	1	From12J48877C
5 564308	Clamp-manifold to head	4	
6 574654	Clip-manifold clamp	1	
7 NH108041L	Nut	9	
8 WA108051L	Washer plain	9	
9 WL108001L	Washer spring	9	
10 ETC5331	Manifold exhaust	1	
11 AFU1848L	Stud	3	





DEFENDER 110 1987 onwards

100

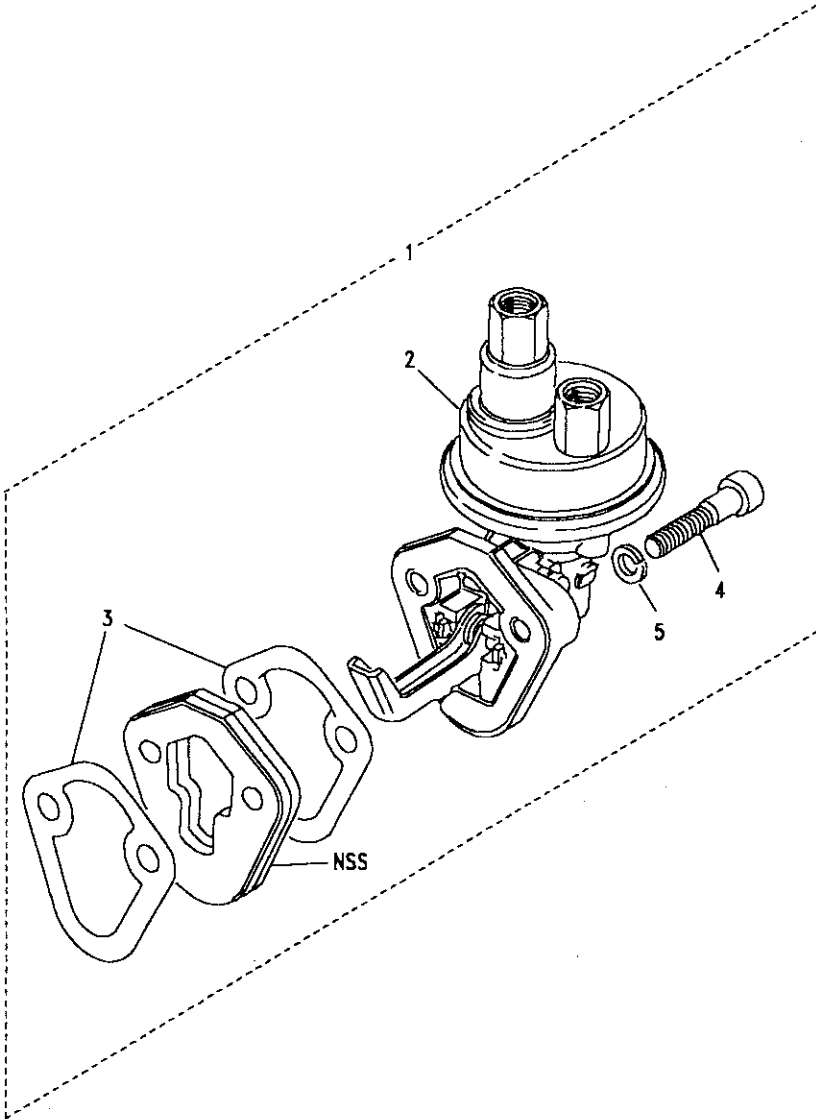
ENGINE

**Model** DEFENDER 110 1987 onwards  
**Page** AFBGKA1A

**ENGINE - FUEL PUMP - 2.5 DIESEL**

III. Part No.	Description	Qty	Remarks
1 ETC7869	Pump fuel	1	Note(1)
2 ETC7970	Gasket-fuel pump/side cov	2	
ERR2028	Gasket fuel pump	2	From Jan 94
3 SS108301L	Socket screw	2	
4 WA108051L	Washer	2	

Note(1) Use RTC6180 fuel pump kit up to 12J39054C





DEFENDER 110 1987 onwards

101

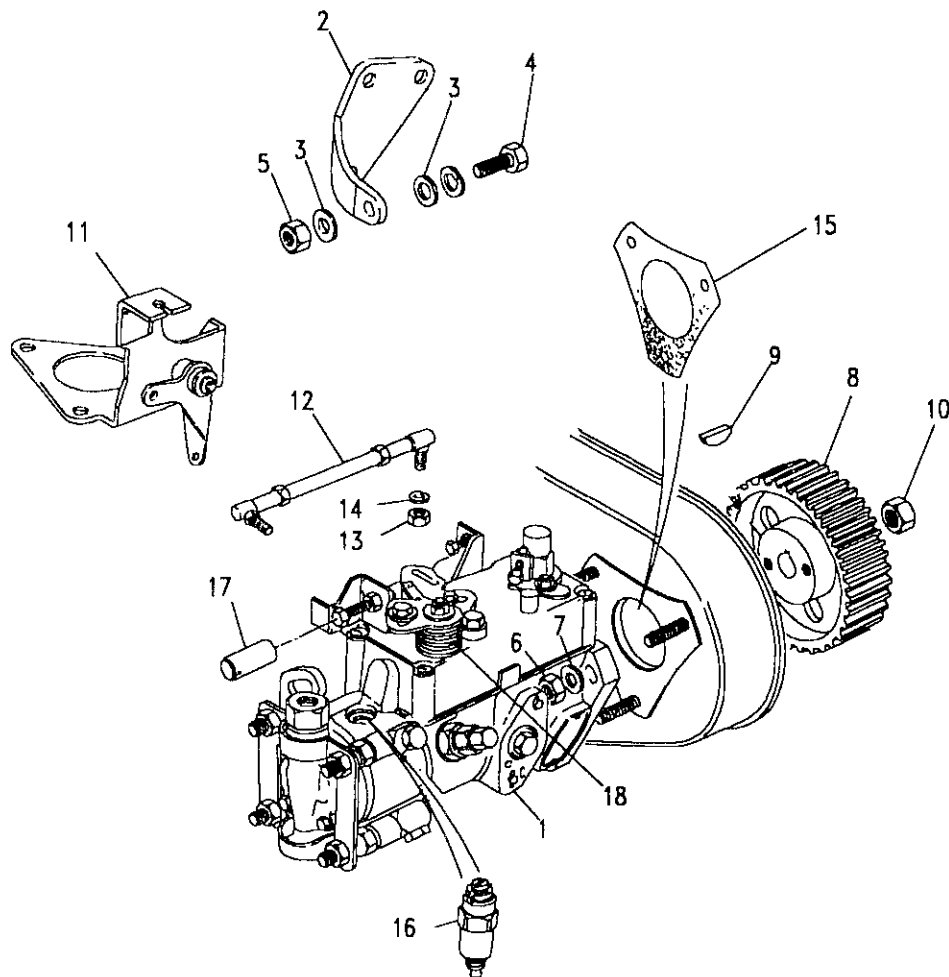
ENGINE

Model DEFENDER 110 1987 onwards

Page AFBGKC1A

ENGINE - INJECTOR PUMP - 2.5 DIESEL

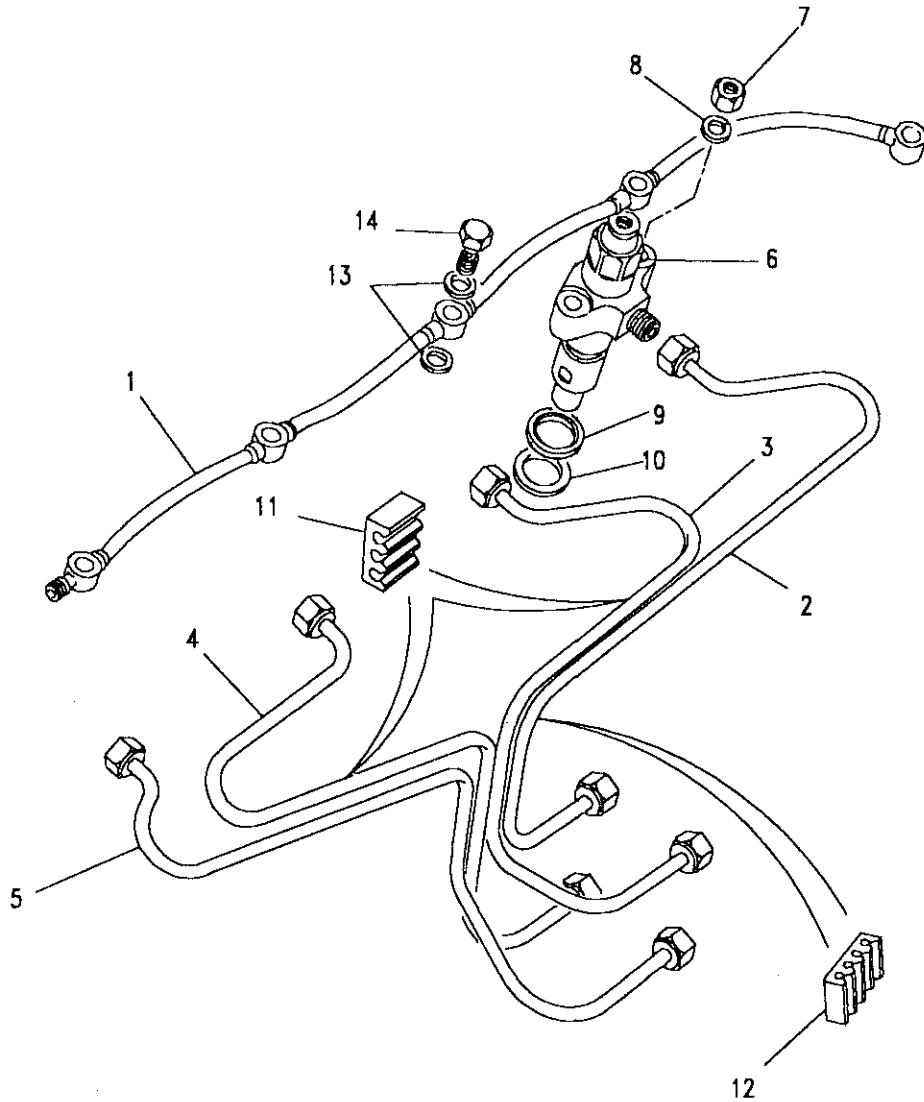
III. Part No.	Description	Qty	Remarks
1	ERC6761	1	
	ERC6761E	1	Exchange
2	ETC4070	1	
3	WA108051L	2	
4	SH108251L	1	
5	NY108041L	1	
6	NY108041L	3	
7	WA108051L	3	
8	ETC5717	1	
9	RTC5077	1	
10	NH112041L	1	
11	ETC6675	1	
12	ETC4417	1	
13	NH105041L	2	
14	WA105001L	2	
15	ERR3617	1	
16	BAU4611L	1	
17	ETC4752	1	
18	RTC5891	1	





Model DEFENDER 110 1987 onwards  
Page AFBGKE1A

ENGINE - INJECTOR AND PIPES - 2.5 DIESEL



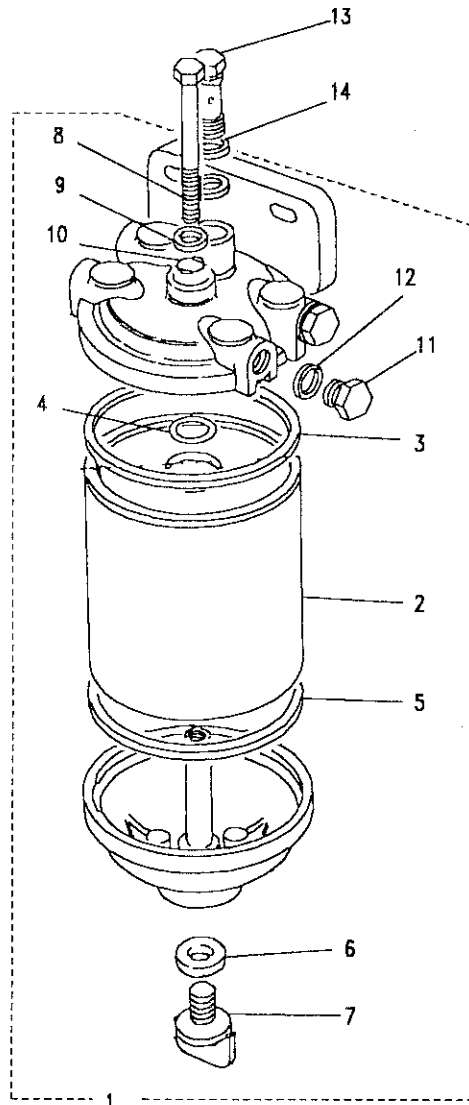
III. Part No.	Description	Qty	Remarks
1	ERC4480	1	
2	ETC4291	1	
3	ETC4292	1	
4	ETC4293	1	
5	ETC4294	1	
6	ERR1266	4	
	564332E	4	Exchange
	247726	4	
7	NH108041L	8	
8	WL108001L	8	
9	247179	4	
10	12H220L	4	
11	ETC4156	2	
12	ETC4308	1	
13	273069	8	
14	273521	3	
	563195	1	





Model DEFENDER 110 1987 onwards  
Page AFBGKG1A

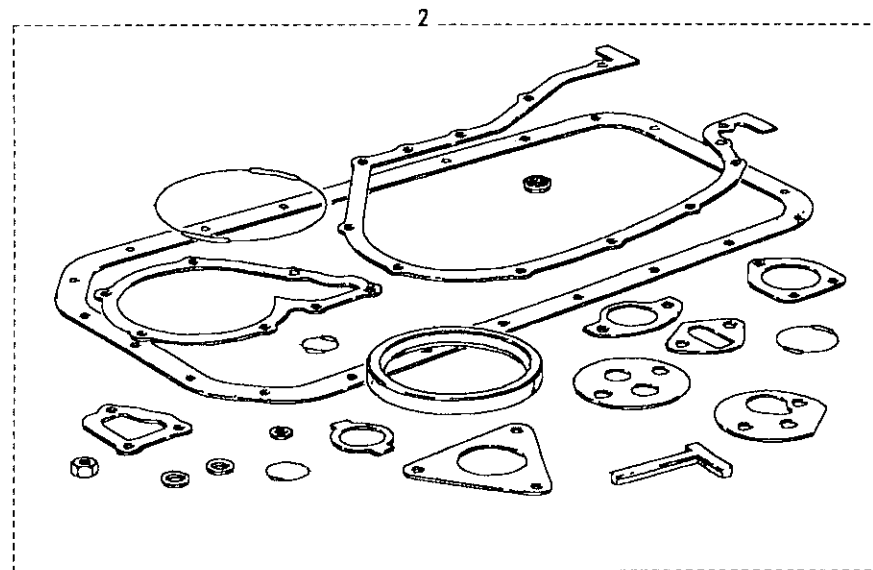
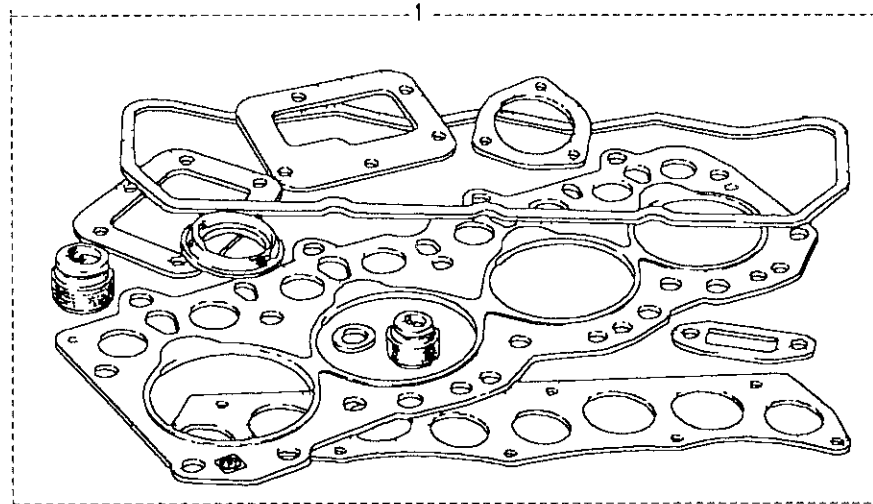
ENGINE - FUEL FILTER - 2.5 DIESEL



III. Part No.	Description	Qty	Remarks
1	563190	1	Filter fuel
2	90517711	1	Element
3	AAU9903	1	Seal-element-top
4	37H575L	1	Seal-element-top-small
5	AAU9902	1	Seal-element-bottom
6	605013	1	Seal-drain plug
7	605012	1	Plug drain
8	37H8119L	1	Bolt
9	522940	1	Washer-bolt
10	37H770L	1	O ring-bolt
11	517689	1	Plug-blanking
12	517706	1	Washer-plug
13	13H1515L	1	Boit-banjo
14	517976	2	Washer-joint-banjo bolt
15	SH108301L	2	Bolt-to Dash
16	WL108001L	2	Washer-spring-to dash
17	WA108051L	2	Washer-to dash
18	ATU1005L	2	Supercert-to dash







**Model** DEFENDER 110 1987 onwards  
**Page** AFBGMA1A

**ENGINE - GASKET KIT - 2.5 DIESEL**

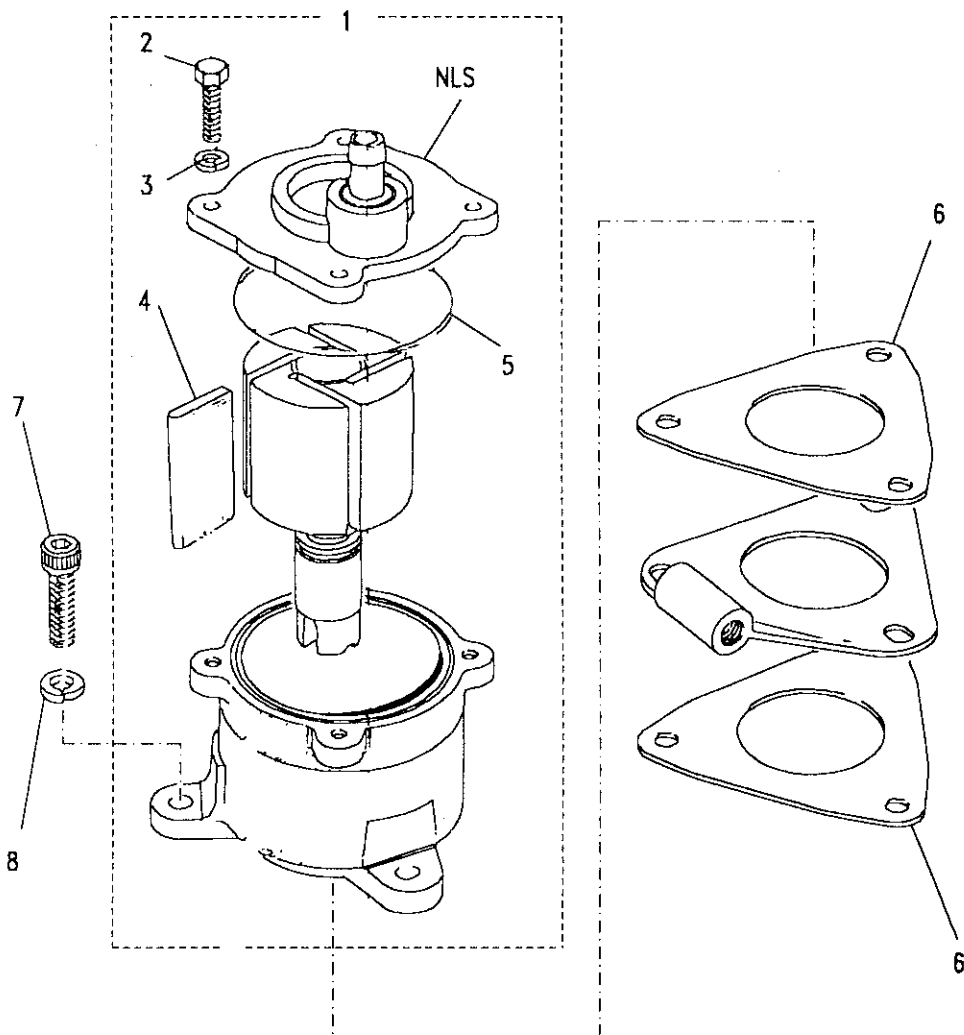
III. Part No.	Description	Qty	Remarks
1 STC1562	Kit gasket cylinder head	1	
2 STC1559	Kit gasket overhaul	1	



Model DEFENDER 110 1987 onwards  
Page AFBGNA1A

ENGINE - VACUUM PUMP - 2.5 DIESEL

III. Part No.	Description	Qty	Remarks
1	ERR535	1	Pump vacuum assembly
2	AEU2720	4	Bolt
3	WL106001L	4	Washer
4	AEU2718	4	Blades rotor
5	AEU2719	1	O ring
6	ETC4616	2	Gasket
7	SS108301L	3	Bolt
8	WM600051L	3	Washer





Model DEFENDER 110 1987 onwards

Page AFBGNC1A

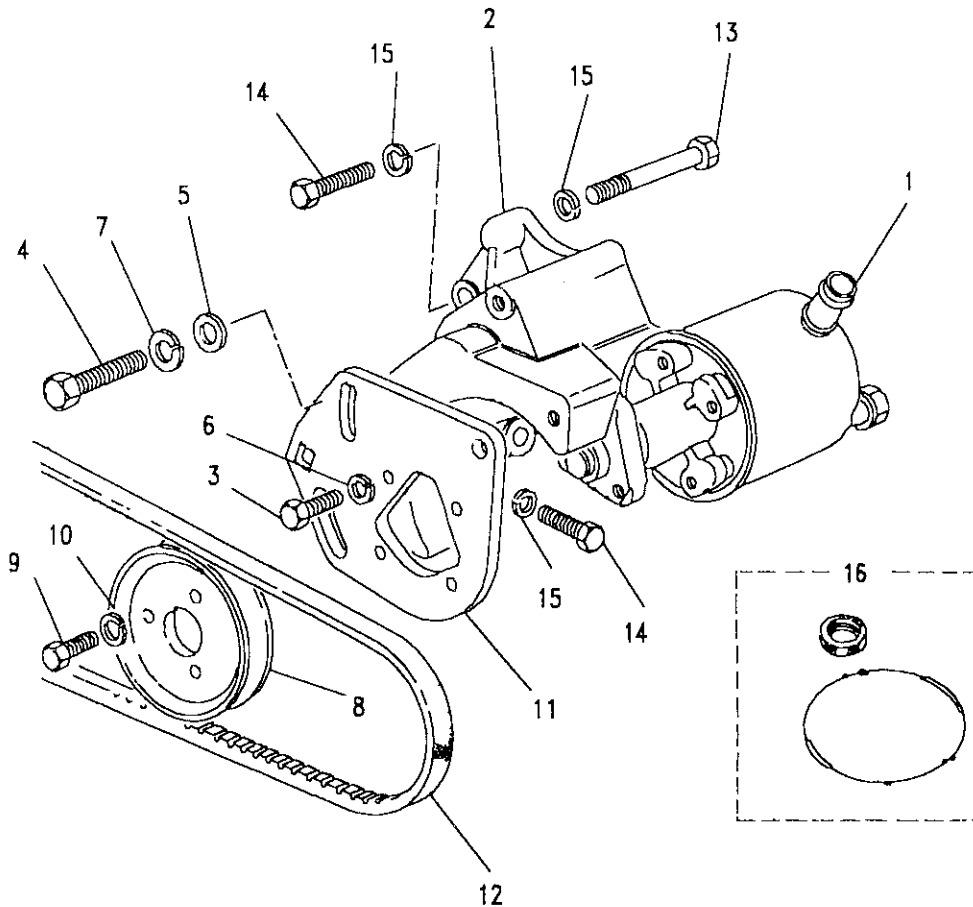
## ENGINE - POWER STEERING PUMP - 2.5 DIESEL

## III. Part No.

## Description

## Qty Remarks

1	ETC9077	Pump power steering	1	)UptoJUNE1989
	RTC5674	Barjo	1	)
	RTC5675	Washer sealing	1	)
1	NTC8287	Pump power steering	1	)FromJUNE1989
				)UptoJULY1992
1	NTC9070	Pump power steering	1	FromJULY1992
2	ERC6974	Bracket	1	UptoJUNE1989
	ETC8854	Bracket	1	FromJUNE1989
3	FS106201L	Screw-pump to bracket	4	
4	SH108251L	Screw-pump to bracket	3	
5	WA108051L	Washer-pump to bracket	2	
6	WL106001L	Washer spring	4	
7	WL108001L	Washer spring	3	
8	ETC5783	Pulley	1	
9	SH108141L	Screw-pulley to pump	3	
10	WL108001L	Washer plain	3	
11	ERR1976	Plate mounting	1	UptoJULY1992
	ERR2605	Plate mounting	1	FromJULY1992
12	ETC5815	Belt-power steering pump	1	
13	BH108181L	Bolt	1	
14	SH108251L	Screw	2	
	SH108301L	Screw	1	
15	WL108001L	Washer spring	4	
	RTC5935	Kit seal (ETC9077)	1	
	STC1633	Kit seal (NTC9070)	1	



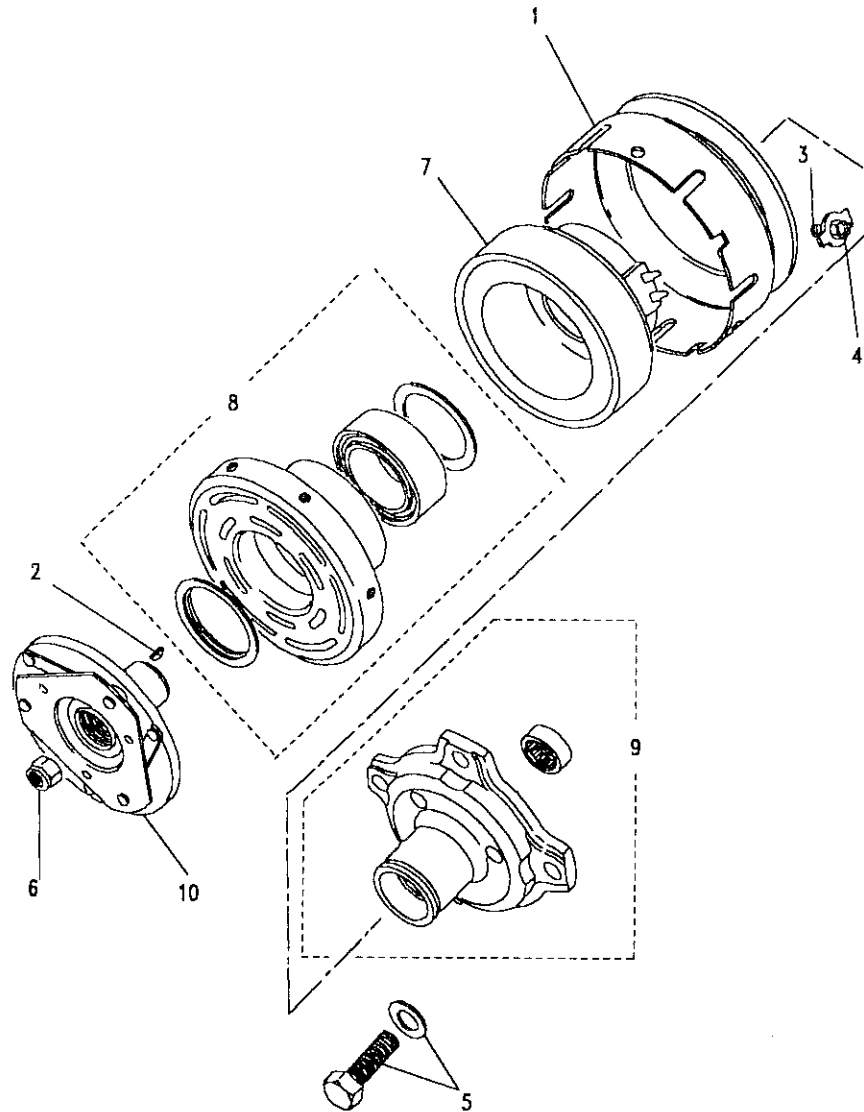


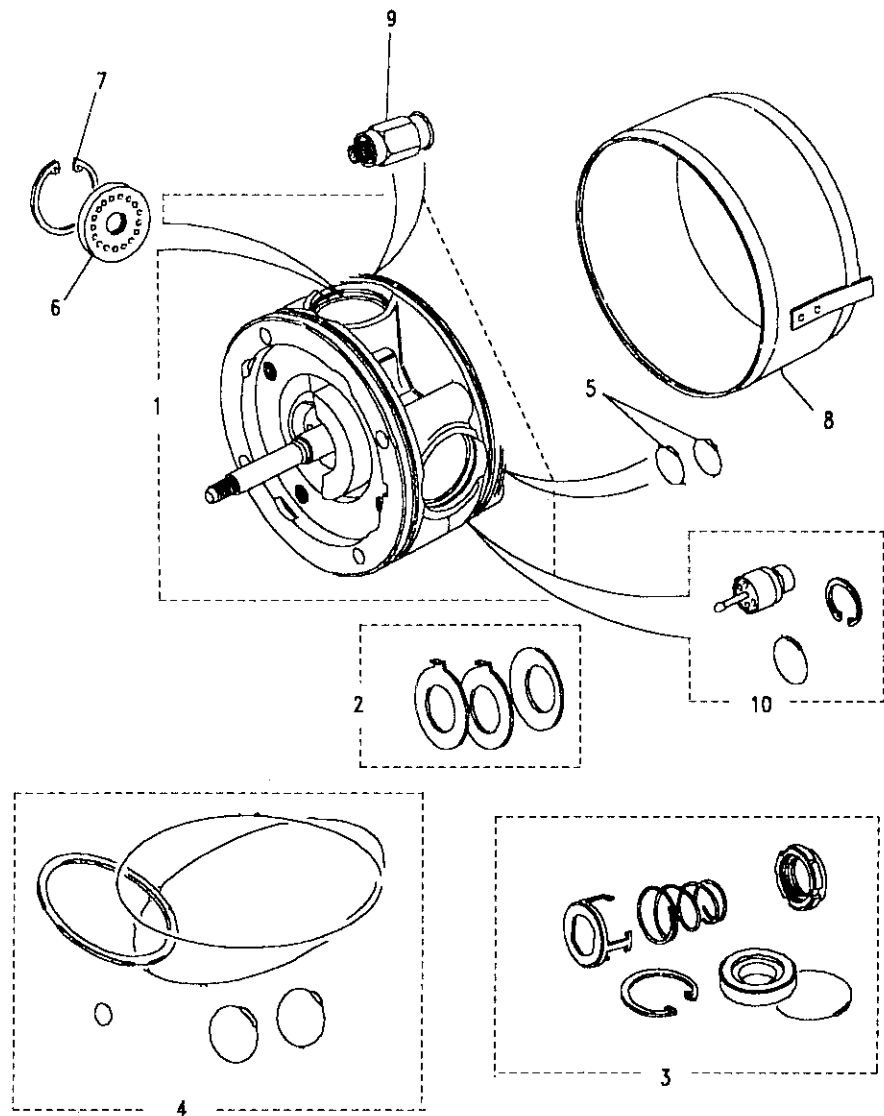
Model DEFENDER 110 1987 onwards  
Page AFBGNE1A

ENGINE - AIRCON COMPRESSOR - 2.5 DIESEL

III. Part No.	Description	Qty	Remarks
BTR9419	Compressor assembly	1	Note(2)
ERC6480	Compressor assembly	1	Note(1)
1 AEU1782	Pulley rim	1	
2 AEU1694	Key-clutch hub	1	
3 AEU1780	Screw-rim mounting	6	
4 AEU1779	Washer-rim mounting	6	
5 AEU1784	Screw and washer assy	4	
6 AEU1775	Nut-shaft	1	
7 AEU1778	Coil and housing assy	1	
8 AEU1777	Rotor and Bearing Assemb	1	
9 AEU1785	Front Head/bearing assy	1	
10 AEU1776	Clutch assembly	1	

Note(1) Up to VIN MA949374  
Note(2) From VIN MA949375





**Model** DEFENDER 110 1987 onwards  
**Page** AFBGNE2A

**ENGINE - AIRCON COMPRESSOR - 2.5 DIESEL**

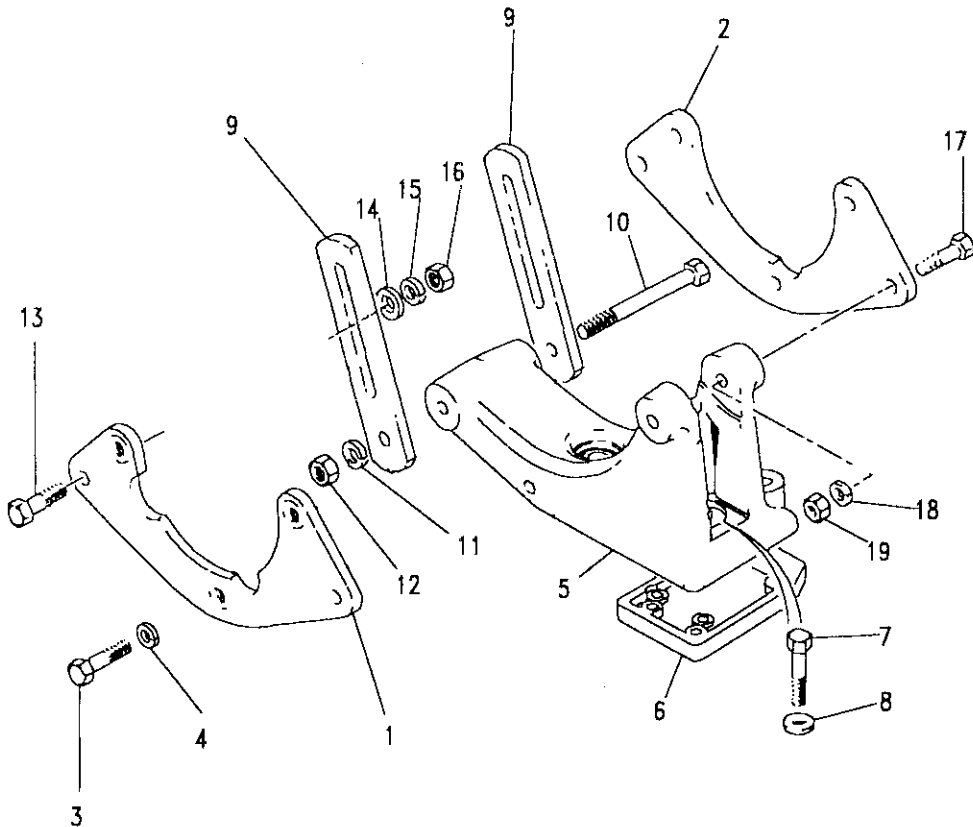
III. Part No.	Description	Qty	Remarks
BTR9419	Compressor assembly	1	Note(2)
ERC6480	Compressor assembly	1	Note(1)
1 AEU1792	Kit-cylinder and shaft	1	
2 AEU1791	Kit-thrust washers	1	
3 AEU1790	Kit-shaft seal	1	
4 AEU1192	Kit-'O' rings	1	
5 AEU1690	'O' ring-ports	2	
6 AEU1788	Plate valve assembly	4	
7 AEU1787	Ring retaining	4	
8 AEU1786	Shell assembly	1	
9 AEU1689	Valve pressure release	1	
10 AEU1688	Kit-superheat switch	1	
ETC4371	Belt-timing	1	
AEU1691	Oil-525 Visc/2pt-(1136ml)	A/R	

Note(1) Up to VIN MA949374  
 Note(2) From VIN MA949375

Model DEFENDER 110 1987 onwards  
 Page AFBGNE3A

ENGINE - COMPRESSOR FIXINGS - 2.5 DIESEL

Ill. Part No.	Description	Qty	Remarks
1	ERC7082	1	Plate mounting-front
2	ERC5152	1	Plate mounting-rear
3	BH110201L	3	Bolt-compressor to plate
4	WL110001L	3	Washer spring
5	ETC4882	1	Bracket-mounting
6	ETC4197	1	Adaptor plate-bracket
7	BH110101L	4	Bolt-bracket to cover
8	WA110061L	4	Washer plain
9	ERC5155	2	Link-adjusting
10	BH108181L	1	Bolt-link to bracket
11	WL108001L	1	Washer spring
12	NH108041L	1	Nut
13	SH108251L	2	Screw-link to plate
14	WA108051L	2	Washer
15	WL108001L	2	Washer spring
16	NH108041L	2	Nut
17	FB108081L	2	Bolt-bracket topPlates
18	WL108001L	2	Washer spring
19	NH108041L	2	Nut





DEFENDER 110 1987 onwards

110

ENGINE

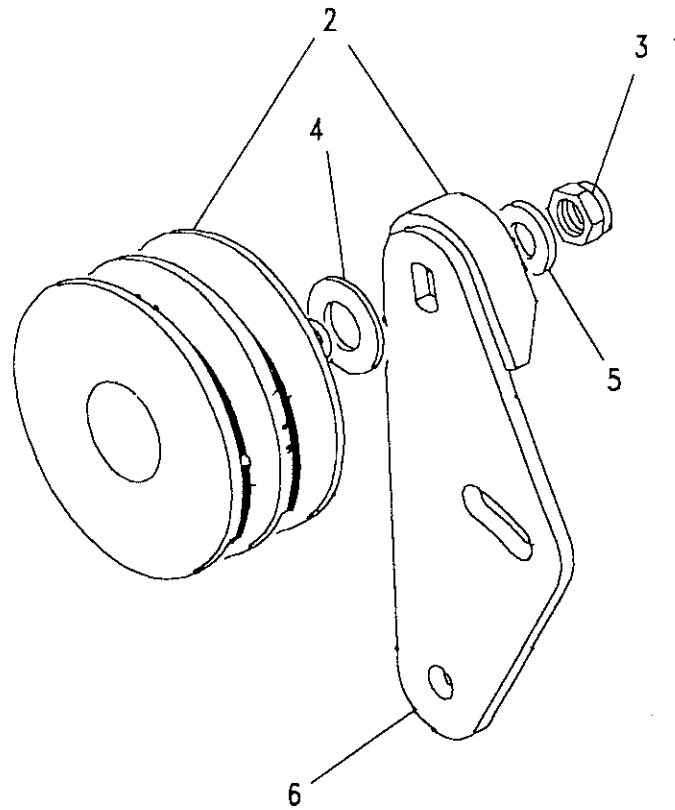
Model DEFENDER 110 1987 onwards

Page AFBGNE4A

ENGINE - AIRCON IDLER PULLEY - 2.5 DIESEL

III. Part No.	Description	Qty	Remarks
1 ETC7756	Pulley damper assembly	1	Note(1)
2 554971	Pulley	1	
3 RTC6077	Nut	1	
4 4095	Washer plain	1	
5 WB108051L	Washer plain	1	
6 ETC4212	Plate mounting	1	

Note(1) ETC7756 cost saving double groove pulley-single fitted on track



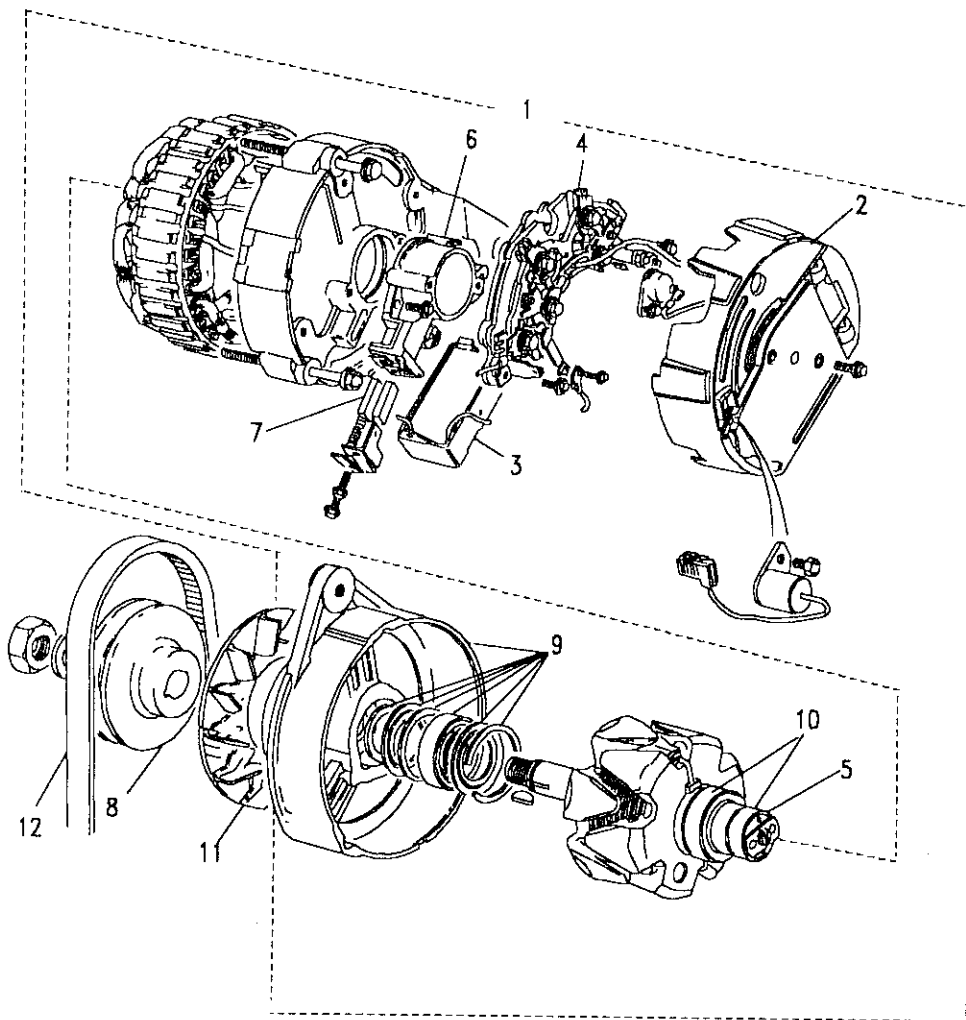
Model DEFENDER 110 1987 onwards

Page AFBGPC1A

ENGINE- ALTERNATOR - 2.5 DIESEL

III. Part No.	Description	Qty	Remarks
1	RTC5083E	1	Note(1)
2	AEU2507	1	
3	AEU3076	1	
4	BAU1825	1	
5	BAU2193	1	
6	BAU2195	1	
7	RTC3215	1	
8	568788	1	
9	18G8619L	1	
10	AEU1532	1	
11	C37222L	1	
12	ETC7939	1	
	AEU1706	1	
	AEU1710	1	
	AEU1942	1	

Note(1) LUCAS number LRA356





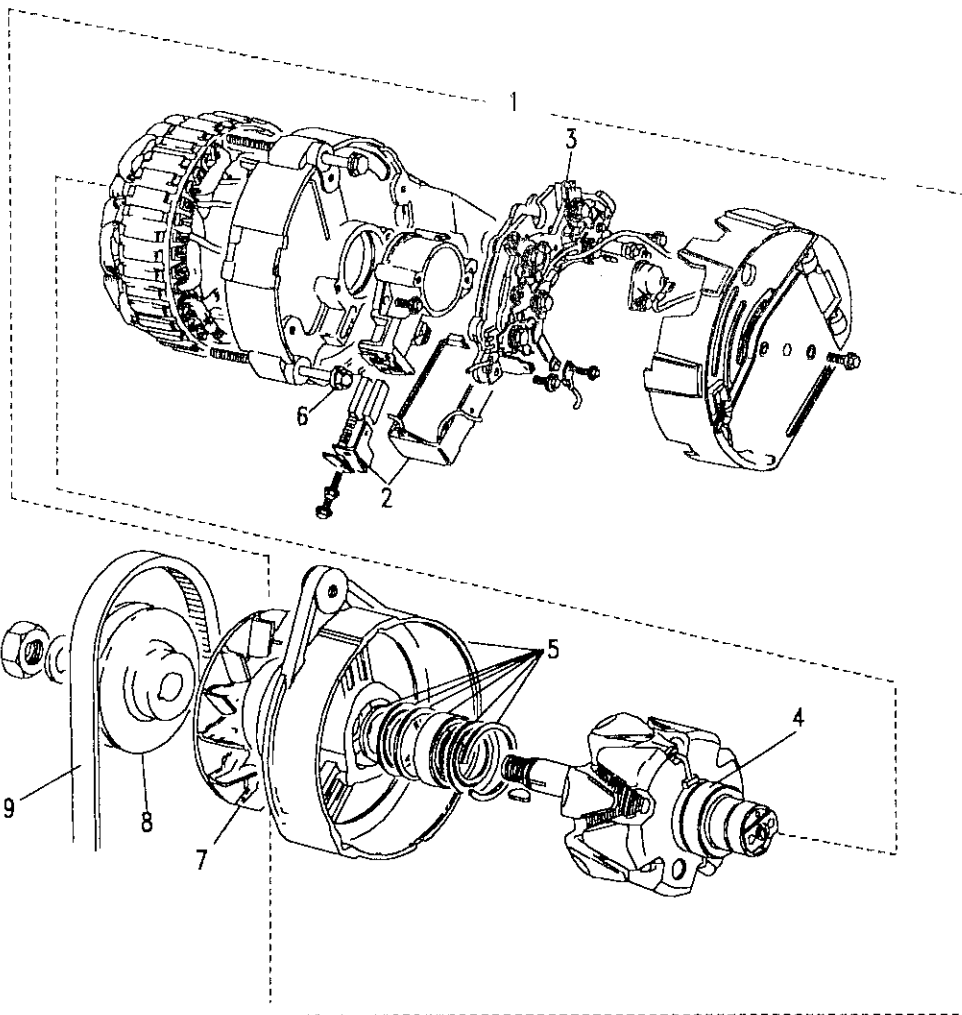
Model DEFENDER 110 1987 onwards

Page AFBGPC2A

ENGINE- ALTERNATOR - 2.5 DIESEL

III. Part No.	Description	Qty	Remarks
1	RTC5682N RTC5682E	1	Note(1)
2	RTC5670	1	
3	RTC5684	1	
4	RTC5926	1	
5	RTC5687	1	
6	RTC5925	1	
7	RTC5685	1	
8	RTC5686	1	
9	ETC7939	1	
	RTC5689	1	

Note(1) LUCAS number 24199

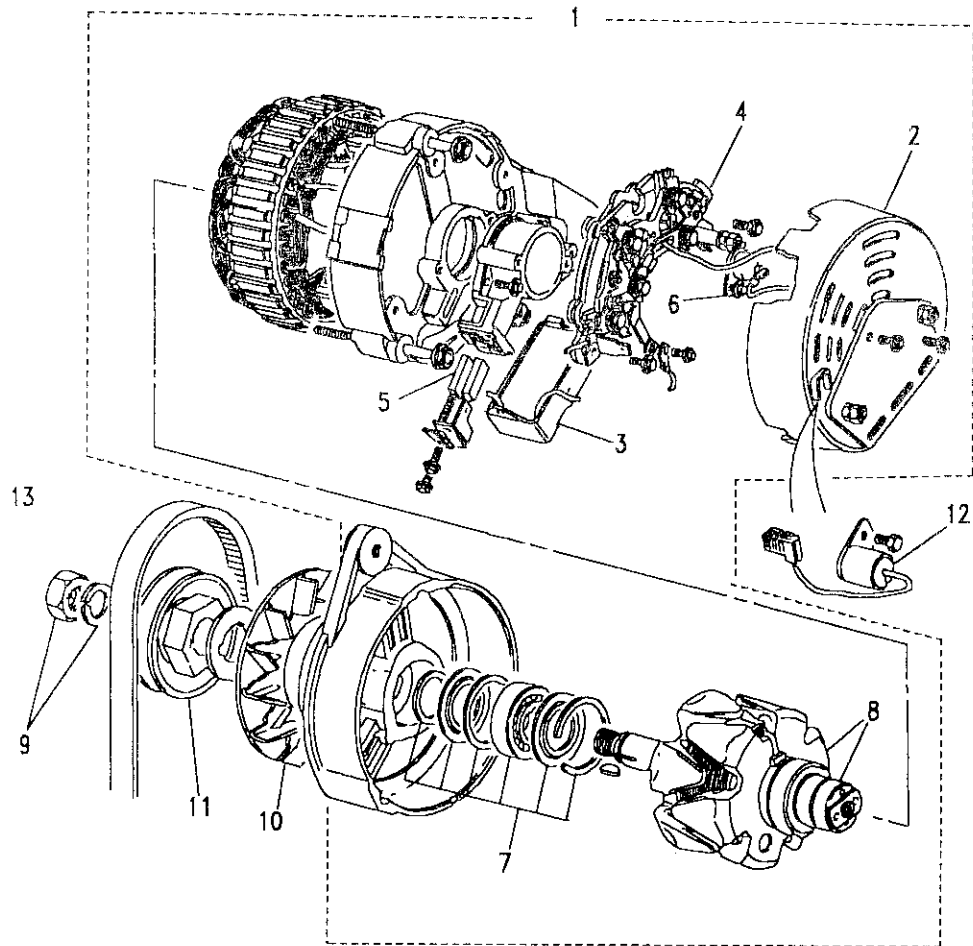


Model DEFENDER 110 1987 onwards  
 Page AFBGPC3A

ENGINE- ALTERNATOR - 2.5 DIESEL - AIR CON

III. Part No.	Description	Qty	Remarks
1	RTC5218E	1	Note(1)
2	AEU1725	1	
3	AEU3076	1	
4	AEU1527	1	
5	RTC3292	1	
6	STC130	1	
7	AEU1726	1	
8	AEU1532	1	
9	AEU1710	1	
10	ADU4928L	1	
	ERC8987	1	
11	ERC8986	1	
12	AEU1616	1	
13	ETC7939	1	
	AEU1706	1	
	AEU1708	1	
	AEU1709	1	

Note(1) LUCAS number LRA406

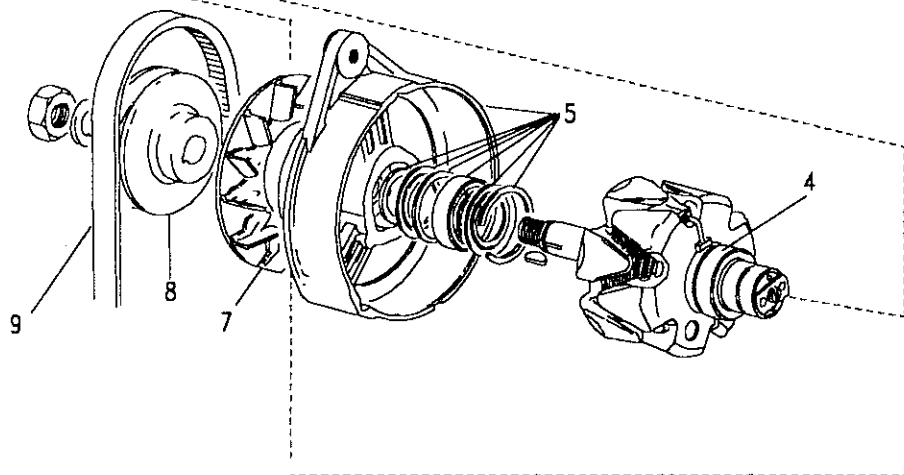
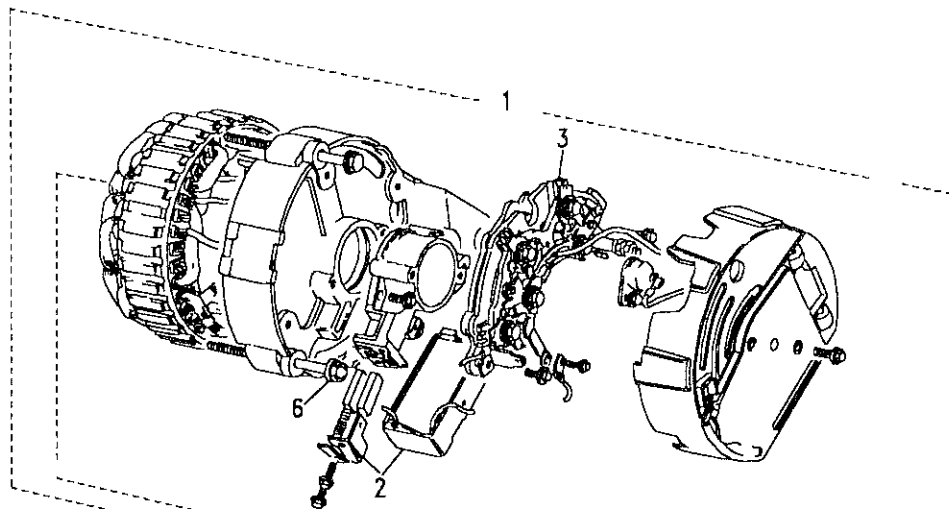


Model DEFENDER 110 1987 onwards  
 Page AFBGPC4A

ENGINE - ALTERNATOR - 2.5 DIESEL- AIR CON

III. Part No.	Description	Qty	Remarks
1	RTC5680N RTC5680E	1	Note(1)
2	RTC5670	1	Regulator and brush box
3	RTC5671	1	Rectifier
4	RTC5926	1	Bearing-slip ring end
5	RTC5687	1	Bracket
6	RTC5925	1	Kit-through bolts
7	AAU2249L	1	Fan
8	RTC5686	1	Pulley
9	ETC7939	1	Belt fan
	RTC5689	1	Spacer-Pulley

Note(1) LUCAS number 24220

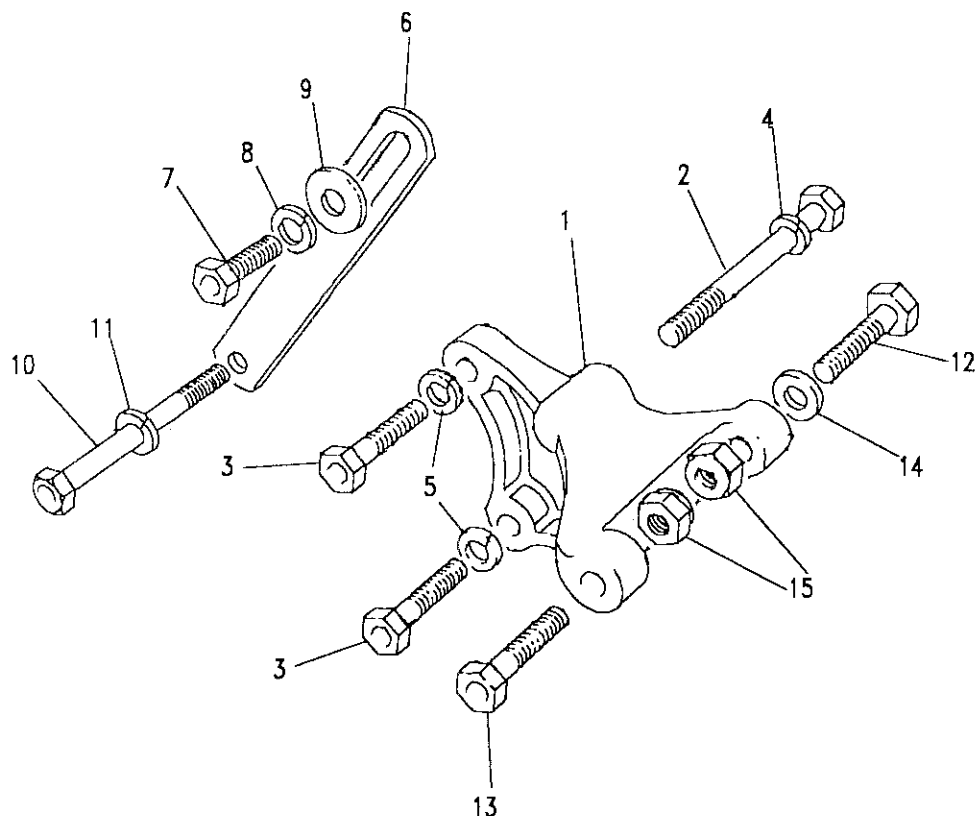


Model DEFENDER 110 1987 onwards  
Page AFBGPC5A

ENGINE- ALTERNATOR FIXINGS - 2.5 DIESEL

III. Part No.	Description	Qty	Remarks
1	ETC4357	1	Bracket-mounting
2	BH108161L	1	Bolt-bracket to block
3	SH110301L	2	Bolt-bracket to block
4	WL108001L	1	Washer
5	WL108001L	2	Washer
6	ERC5139	1	Link-adjusting
	ERC6266	1	Link adjusting
7	FS108201L	1	Screw-link to alternator
8	WL108001L	1	Washer spring
9	2266L	1	Washer
10	ERC8964	1	Bolt-link to block
11	WL108001L	1	Washer spring
12	FB108081L	1	Bolt-bracket to block
13	BH108091L	1	Bolt-bracket to block
16	ERC7974	1	Spacer
14	WC108051L	1	Washer
15	NY108041L	2	Nut nyloc

Note(1) Use with A115 and A113 type ALTERNATORS  
Note(2) Use with A127 type ALTERNATORS





DEFENDER 110 1987 onwards

116

ENGINE

Model DEFENDER 110 1987 onwards

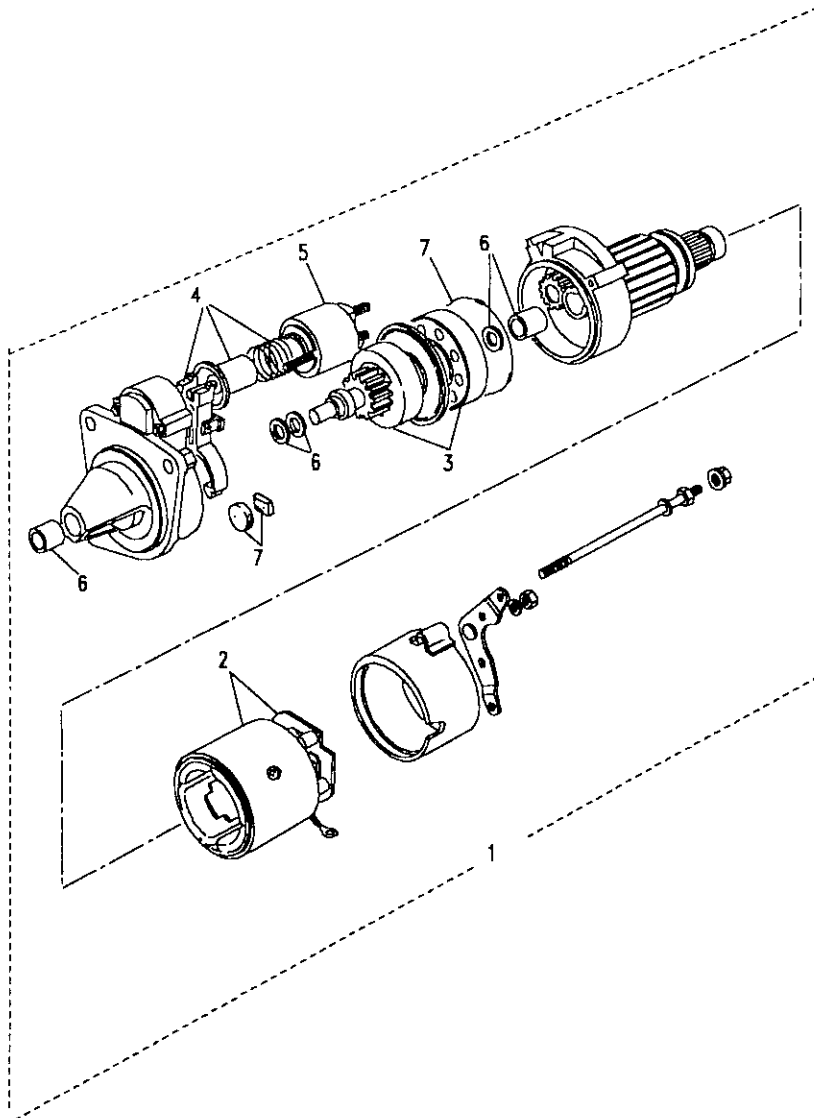
Page AFBGPE1A

ENGINE-STARTER MOTOR - 2.5 DIESEL

III. Part No. Description Qty Remarks

Used up to 12J52162C

1	PRC5109	Starter motor-D9R91	1
	PRC5109E	Starter motor-exchange	1
2	RTC4981	Inductor with brush	1
3	RTC4982	Pinion drive assembly	1
4	RTC4979	Lever shift assembly	1
5	RTC4978	Solenoid	1
6	RTC4980	Kit repair	1
7	RTC4983	Kit gasket	1
	PRC5538	Cable earth	1
	SH110301L	Screw-starter to flywheel	1
	NH110041L	Nut-starter	2
	WL110001L	Washer spring	3
	BH110091L	Bolt-starter to flywheel	4





DEFENDER 110 1987 onwards

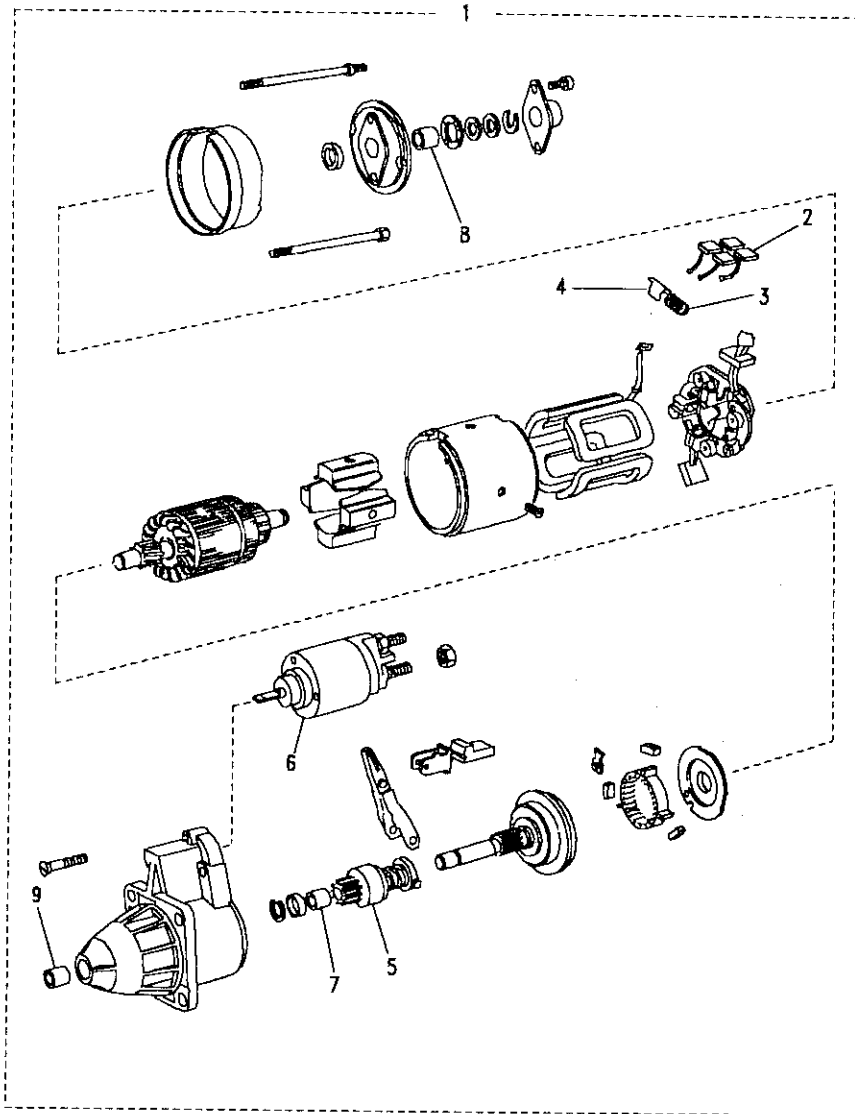
117

ENGINE

Model DEFENDER 110 1987 onwards  
Page AFBGPE2A

ENGINE-STARTER MOTOR - 2.5 DIESEL

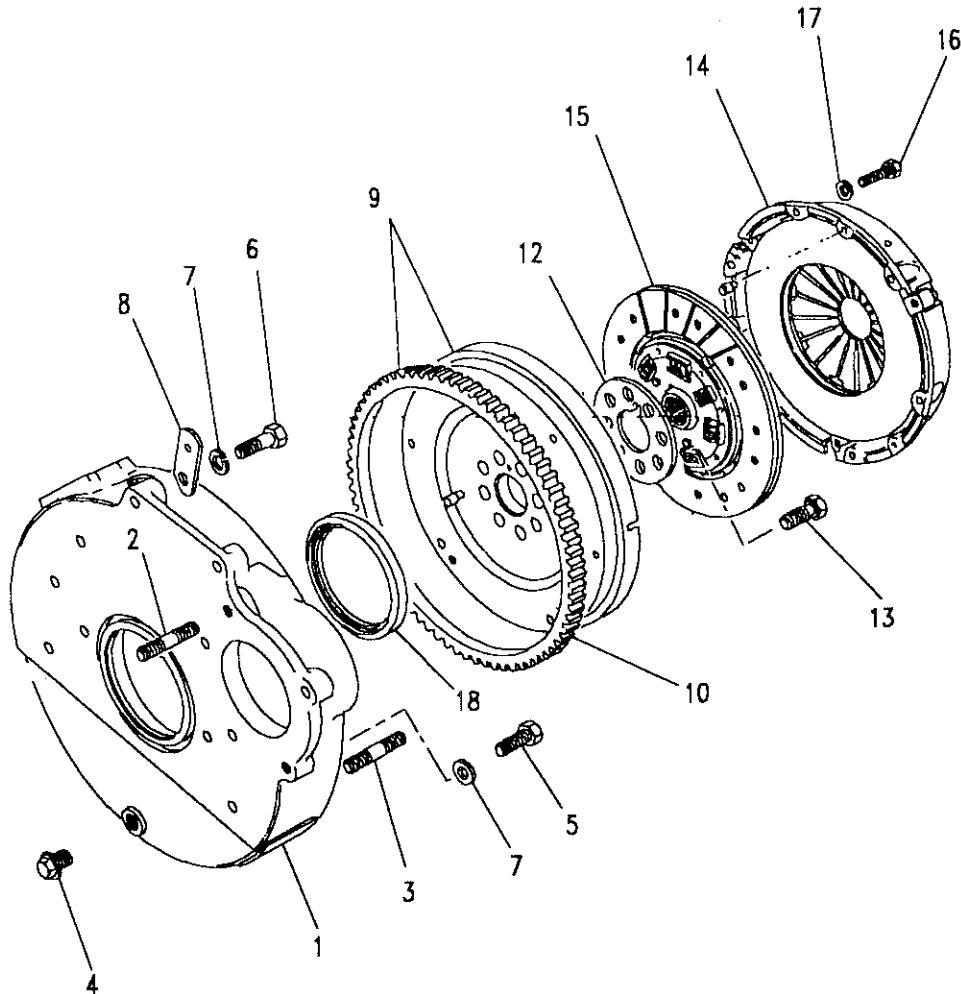
III. Part No.	Description	Qty	Remarks
<b>Used from 12J52163C</b>			
1	ERR5009	1	Starter motor
2	STC1246	1	Brush set
3	STC1254	4	Spring
4	STC1247	4	Guide brush
5	STC1244	1	Drive assembly
6	STC1245	1	Solenoid
7	STC1250	2	Bush
8	STC1251	1	Bush
9	STC1255	1	Bush



**Model** DEFENDER 110 1987 onwards  
**Page** AFBGRA1A

**ENGINE - FLYWHEEL & CLUTCH - 2.5 DIESEL**

III. Part No.	Description	Qty	Remarks
1	ETC7336	1	UptoJAN1993
	ERR3920	1	FromJAN1993
2	TE110061L	11	
3	ERC9240	1	
4	ERC7295	2	
	NH110041L	11	
5	SH110301L	6	
6	BH110091L	2	
7	WA110061L	8	
8	ERC9404	2	
9	ETC5780	1	
10	568431	1	
11	502116	3	

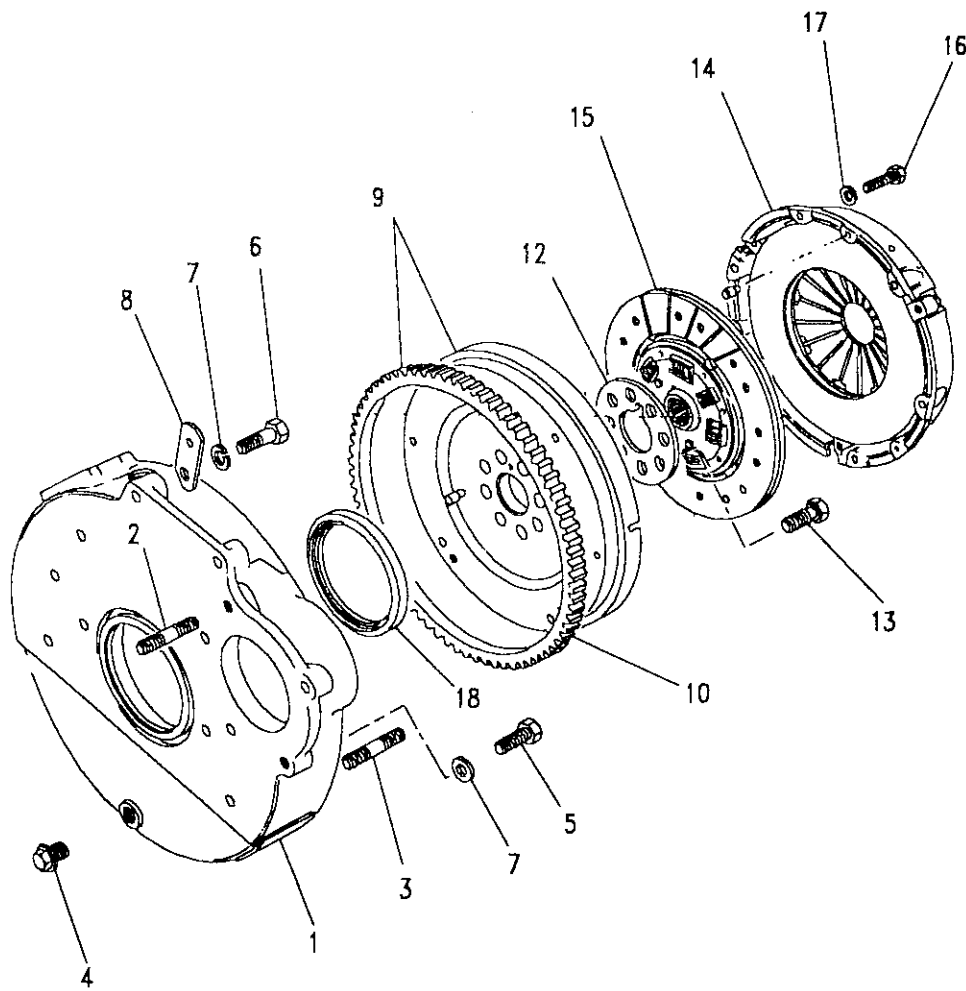


**Model** DEFENDER 110 1987 onwards  
**Page** AFBGRA1A

**ENGINE - FLYWHEEL & CLUTCH - 2.5 DIESEL**

III. Part No.	Description	Qty	Remarks
12 ERC4658	Plate reinforcement	1	Note(1)
13 ERC6551	Bolt-flywheel to crank	8	Note(1)
ERR4574	Bolt-flywheel to crank	8	From Dec 93
14 FTC575	Cover clutch	1	
15 FTC2149	Plate clutch	1	
STC8358	Kit clutch	1	
FTC575	Cover	1	
FTC2149	Plate	1	
FRC9568	Bearing	1	
16 SX108201L	Screw	6	
17 WL108001L	Washer spring	6	
18 ERR2532	Seal oil	1	

Note(1) Only fitted up to Dec 93. The reinforcing plate was found to serve no useful purpose. If replacing use shorter screws.







## MASTER INDEX

	PAGES
INTRODUCTION PAGES	1 - 7
ALPHABETICAL INDEX	8 - 16
ENGINE	17 - 66
ENGINE	67 - 119
ENGINE	120 - 166
ENGINE	167 - 209
ENGINE	210 - 245
ENGINE	246 - 299
GEARBOX	300 - 326
GEARBOX	327 - 344
GEARBOX	345 - 359
TRANSFER BOX	360 - 378
TRANSFER BOX	379 - 397
AXLES AND SUSPENSION	398 - 444
STEERING	445 - 471
VEHICLE AND ENGINE CONTROLS	472 - 486
BRAKES	487 - 517
FUEL SYSTEM AND AIR CLEANER	518 - 579
EXHAUST SYSTEM	580 - 593
COOLING/HEATING	594 - 637
COOLING/HEATING	638 - 641
COOLING/HEATING	642 - 649
COOLING/HEATING	650 - 655
COOLING/HEATING	656 - 666
BODY ELECTRICAL	667 - 740
BODY AND CHASSIS	741 - 909
INTERIOR TRIM	910 - 955
SEATS	956 - 1036
STOWAGE	1037 - 1046
ACCESSORIES - PAINTS	1047 - 1074
NUMERICAL INDEX	1076 - 1151

## GROUP B

## ENGINE

## ENGINE

ENGINE COMPLETE - 2.5 DIESEL TURBO	121
ENGINE STRIPPED - 2.5 DIESEL TURBO	122
ENGINE SHORT - 2.5 DIESEL TURBO	123
CYLINDER BLOCK - 2.5 DIESEL TURBO	124 - 126
SIDE COVER - 2.5 DIESEL TURBO	127
CRANKSHAFT - 2.5 DIESEL TURBO	128
PISTONS - 2.5 DIESEL TURBO	129
SUMP - 2.5 DIESEL TURBO	130
MOUNTINGS - 2.5 DIESEL TURBO	131
FRONT COVER - 2.5 DIESEL TURBO	132 - 133
TIMING BELT - 2.5 DIESEL TURBO	134
WATER PUMP - 2.5 DIESEL TURBO NON AIR CON	135
WATER PUMP - 2.5 DIESEL TURBO AIR CON	136
OIL PUMP - 2.5 DIESEL TURBO	137 - 138
OIL FILTER - 2.5 DIESEL TURBO	139
CYLINDER HEAD - 2.5 DIESEL TURBO	140 - 141
ROCKER SHAFT - 2.5 DIESEL TURBO	142
VALVES & TAPPETS - 2.5 DIESEL TURBO	143
ROCKER COVER - 2.5 DIESEL TURBO	144
CAMSHAFT - 2.5 DIESEL TURBO	145
THERMOSTAT HOUSING - 2.5 DIESEL TURBO	146
MANIFOLD - 2.5 DIESEL TURBO	147
FUEL PUMP - 2.5 DIESEL TURBO	148
INJECTOR PUMP - 2.5 DIESEL TURBO	149
INJECTORS AND PIPES - 2.5 DIESEL TURBO	150
TURBO CHARGER - 2.5 DIESEL TURBO	151 - 152
GASKET KIT - 2.5 DIESEL TURBO	153
VACUUM PUMP - 2.5 DIESEL TURBO	154
POWER STEERING PUMP - 2.5 DIESEL TURBO	155
AIRCON COMPRESSOR - 2.5 DIESEL - TURBO	156
AIRCON COMPRESSOR - 2.5 DIESEL TURBO	157
COMPRESSOR FIXINGS - 2.5 DIESEL TURBO	158
AIRCON IDLER PULLEY - 2.5 DIESEL TURBO	159
ALTERNATOR - 2.5 DIESEL TURBO	160
ALTERNATOR - 2.5 DIESEL TURBO - AIR CON	161
FIXINGS ALTERNATOR - 2.5 DIESEL TURBO	162
STARTER MOTOR - 2.5 DIESEL TURBO	163 - 164
FLYWHEEL & CLUTCH - 2.5 DIESEL TURBO	165 - 166



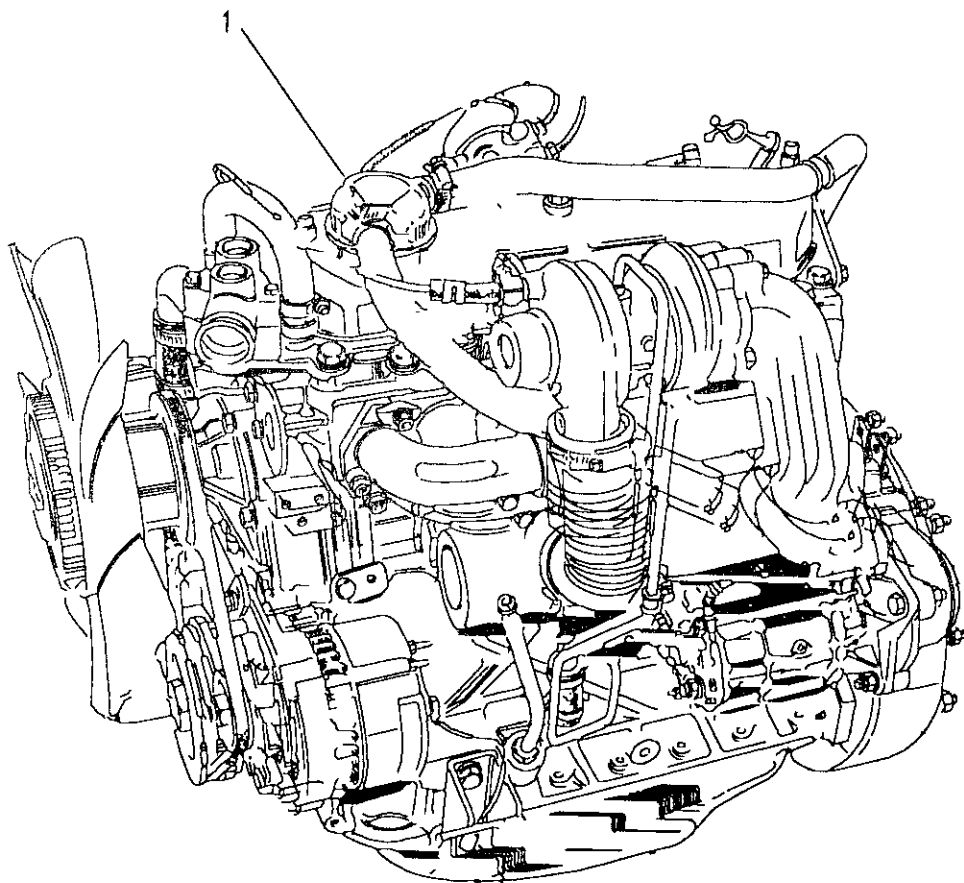
Model DEFENDER 110 1987 onwards

Page AFBHAA1A

ENGINE - ENGINE COMPLETE - 2.5 DIESEL TURBO

III. Part No.	Description	Qty	Remarks
1 ETC5700	Engine complete assembly	1	Note(1)
ETC6881	Engine complete assembly	1	Note(2)
ETC6882	Engine complete assembly	1	Note(3)
ETC6883	Engine complete assembly	1	Note(4)
ETC6884	Engine complete assembly	1	Note(5)
ETC6885	Engine complete assembly	1	Note(6)
ETC6886	Engine complete assembly	1	Note(7)
ETC6887	Engine complete assembly	1	Note(8)

- Note(1) Serial Number 19J00001C BASIC-UK/EUROPE
- Note(2) Serial Number 19J00001C with P.A.S.-UK/EUROPE
- Note(3) Serial Number 19J00001C with AIR CON-UK/EUROPE
- Note(4) Serial Number 19J00001C with P.A.S.& AIR CON-UK/EUROPE
- Note(5) Serial Number 19J00001C BASIC-REST OF WORLD
- Note(6) Serial Number 19J00001C with P.A.S.-REST OF WORLD
- Note(7) Serial Number 19J00001C with AIR CON-REST OF WORLD
- Note(8) Serial Number 19J00001C with P.A.S.& AIR CON-REST OF WORLD

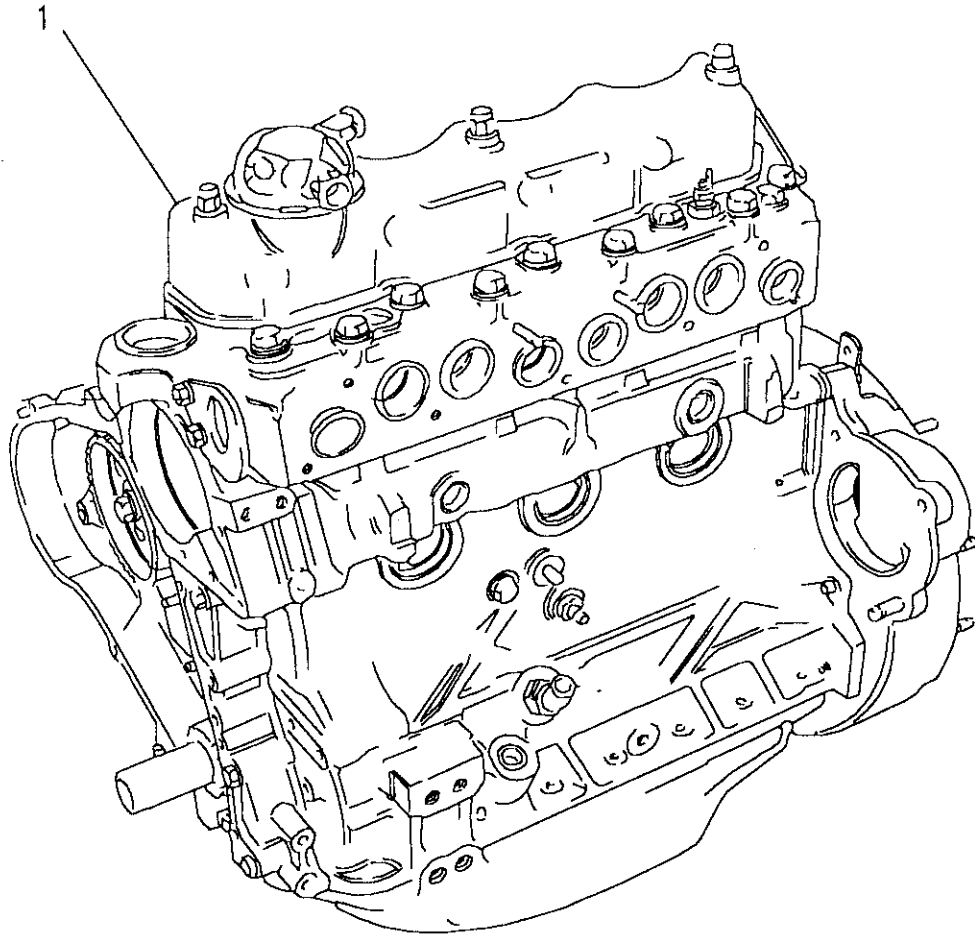


**Model** DEFENDER 110 1987 onwards  
**Page** AFBHAC1A

**ENGINE - ENGINE STRIPPED - 2.5 DIESEL TURBO**

III. Part No.	Description	Qty	Remarks
1 RTC6802N	Engine stripped assy	1	
RTC5265R	Engine stripped-recon	1	Note(1)
RTC6802R	Engine stripped-recon	1	Note(2)

Note(1) Reconditioned unit available up to engine No 19J15451C  
 Note(2) Reconditioned unit available from engine No 19J15452C





DEFENDER 110 1987 onwards

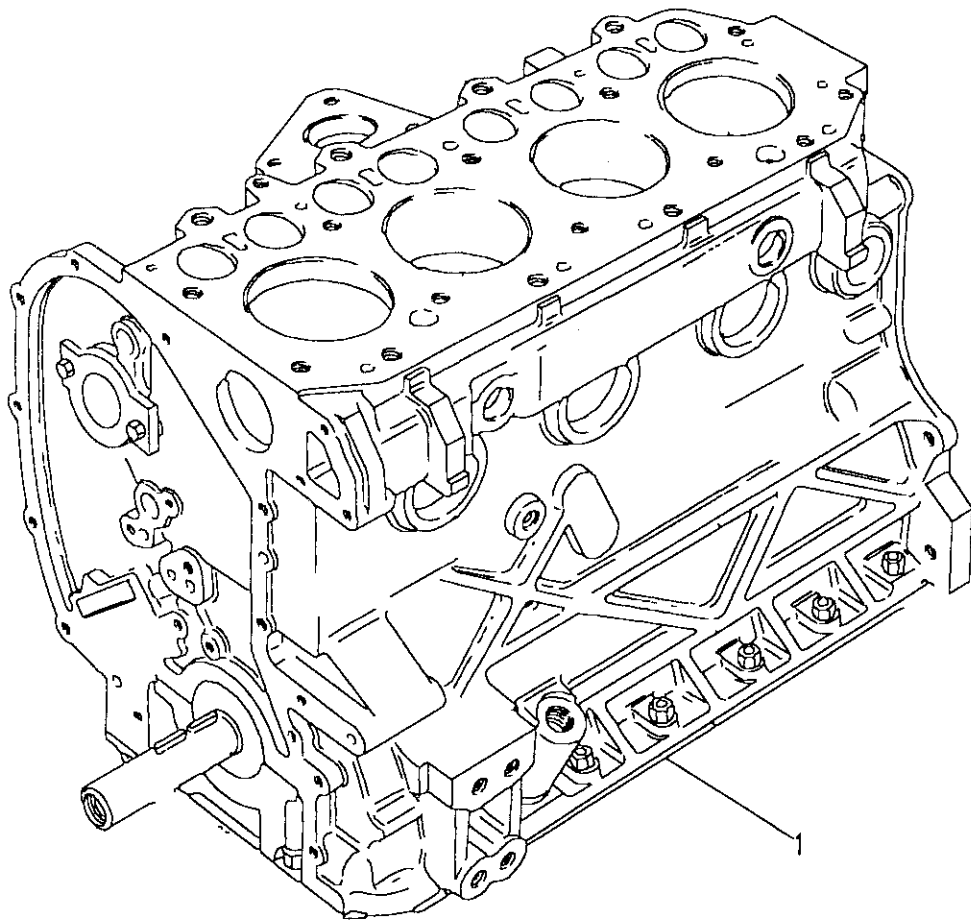
123

ENGINE

Model DEFENDER 110 1987 onwards  
Page AFBHAE1A

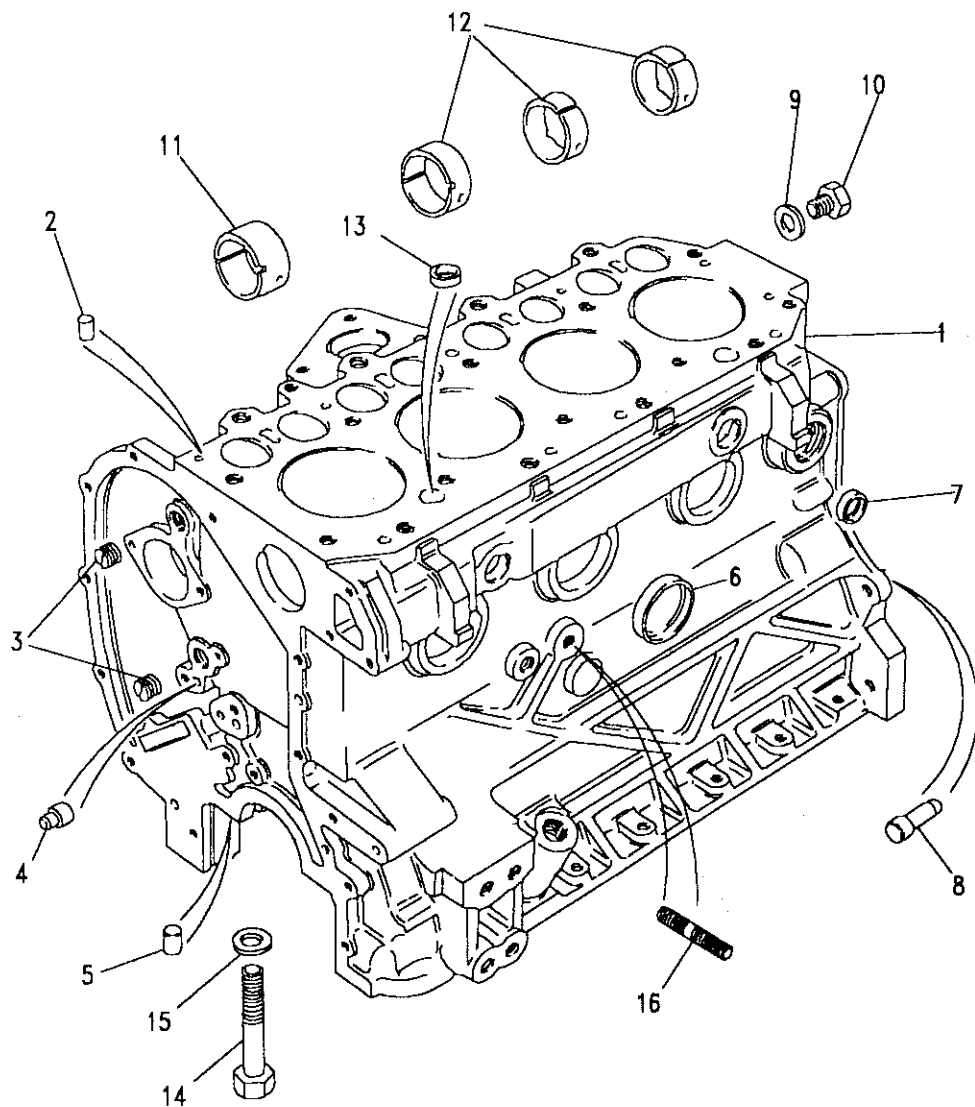
ENGINE - ENGINE SHORT - 2.5 DIESEL TURBO

III. Part No.	Description	Qty	Remarks
1 RTC6795	Engine short assembly	1	



Model DEFENDER 110 1987 onwards  
 Page AFBHBA1A

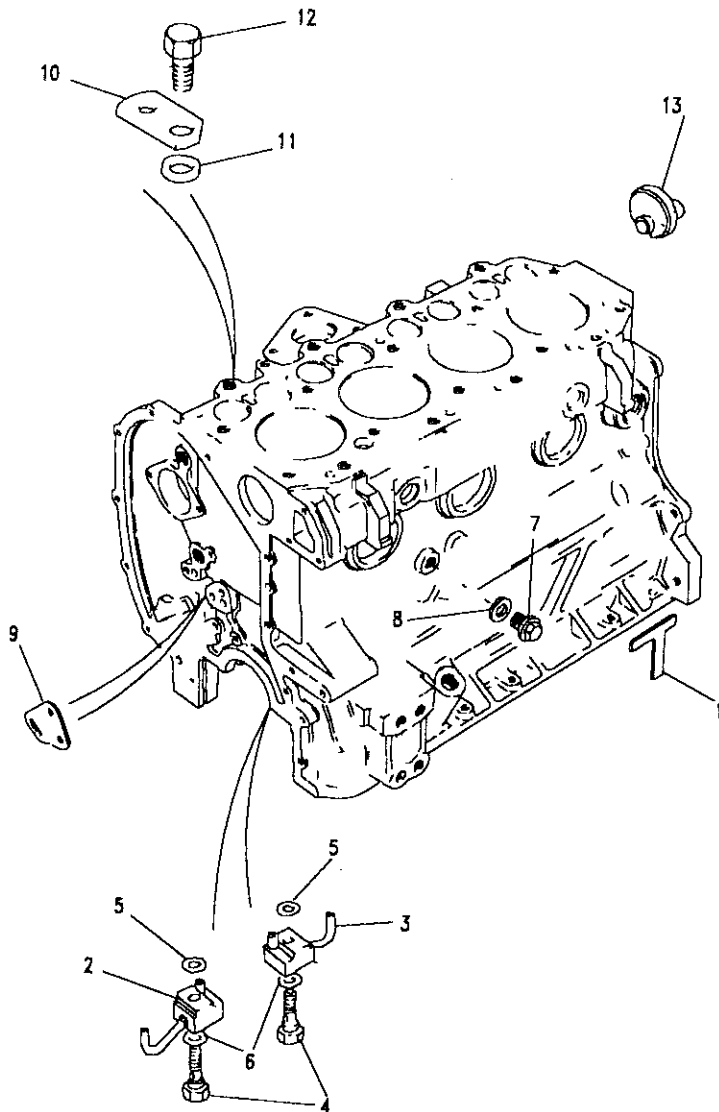
ENGINE - CYLINDER BLOCK - 2.5 DIESEL TURBO



III. Part No.	Description	Qty	Remarks
1	ETC8767 Cylinder block assembly	1	Note(1)
2	247965 Plug-tappet feed hole	1	
3	247127 Plug-oil gallery	2	
4	ETC4529 Cup plug	1	
5	501593 Dowel-bearing caps	10	
6	ERC4996 Cup plug-side/ends	5	
7	597586 Cup plug-water rail-ends	3	
8	ERC4644 Dowel flywheel housing	2	
9	243959 Washer joint	2	
10	536577 Plug-gallery pipe	2	
11	90519054 Bearing-camshaft-front	1	
12	90519055 Bearing-camshaft	3	
13	ERC4995 Cup plug-top	2	
14	ETC7596 Bolt flanged	10	
15	504006 Washer-main bearing cap	10	
	ERR5034 Plug-camshaft oil feed	3	
16	TE108031L Stud-starter motor	1	

Note(1)

This block used up to 19J27514C page 126

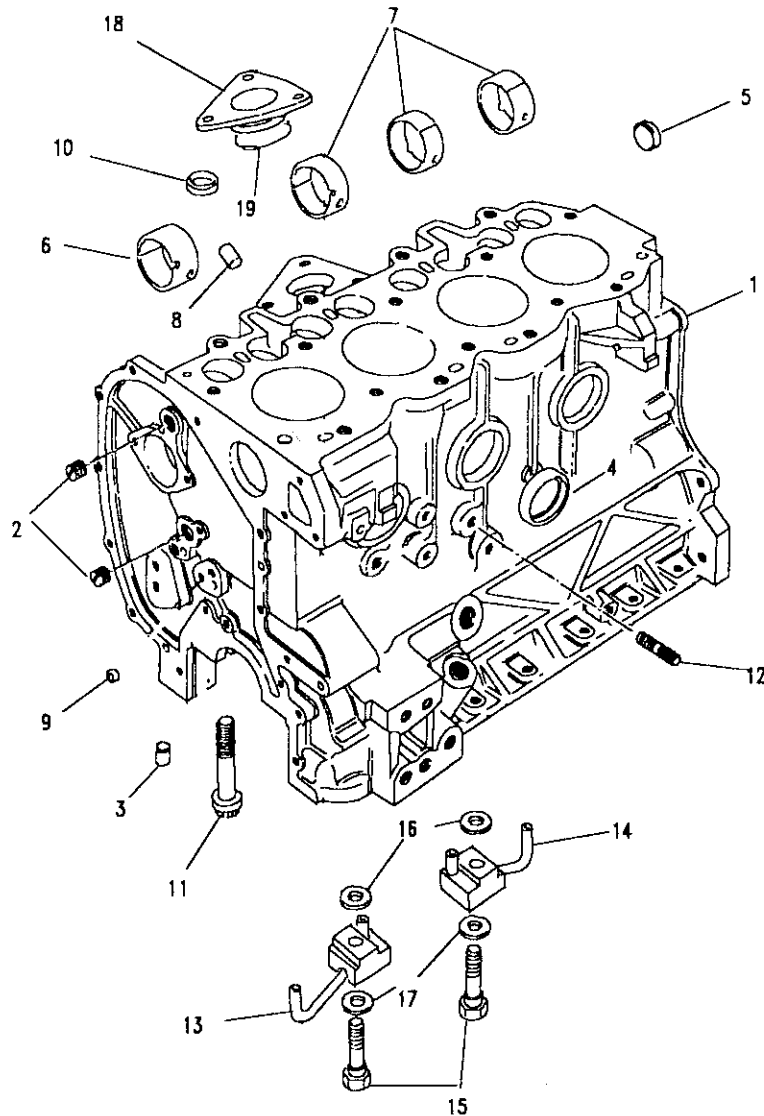


Model DEFENDER 110 1987 onwards  
 Page AFBHBA2A

ENGINE - CYLINDER BLOCK - 2.5 DIESEL TURBO

iii. Part No.	Description	Qty	Remarks
1	ERC5086	2	Strip packing
2	ETC6531	2	Jet assembly No1&No3 cyl
3	ETC6532	2	Jet assembly No2&No4 cyl
4	ETC5592	4	Valve relief
5	AFU1879L	4	Washer joint
6	AFU1887L	4	Washer joint
7	ERC9410	4	Plug drain
8	AFU1882L	1	Washer joint
9	ERC8864	1	Gasket
10	ERC9404	1	Bracket-cable clip
11	WA108051L	1	Washer-bracket to block
12	SH108161L	1	Screw-bracket to block
13	ETC8530	1	Breather assembly
	ETC5755	1	Adaptor-oil feed to turbo





**Model** DEFENDER 110 1987 onwards  
**Page** AFBHBA3A

**ENGINE - CYLINDER BLOCK - 2.5 DIESEL TURBO**

III. Part No.	Description	Qty	Remarks
1	ERR479	1	Cylinder block assembly
2	247127	2	Plug-oil gallery
3	501593	10	Dowel-bearing caps
4	ERC4996	6	Cup plug-sides/ends
5	597586	3	Cup plug-water rail ends
6	ETC8442	1	Bearing-camshaft front
7	90519055	3	Bearing-camshaft
8	ERR5034	3	Plug Camshaft oil feed
9	ETC4529	1	Cup plug
10	ERC4995	2	Cup plug
11	ETC8074	10	Bolt-main bearing cap
12	TE108031L	1	Stud-starter motor
13	ETC6531	2	Jet assembly No1&No3 cyl
14	ETC6532	2	Jet assembly No2&No4 cyl
15	ETC5592	4	Valve relief
16	AFU1879L	4	Washer joint
17	AFU1887L	4	Washer joint
18	ERR586	1	Adaptor-cylinder block
19	ERR531	1	O ring-adaptor

Note(1)

This block used from 19J27515C page 124



DEFENDER 110 1987 onwards

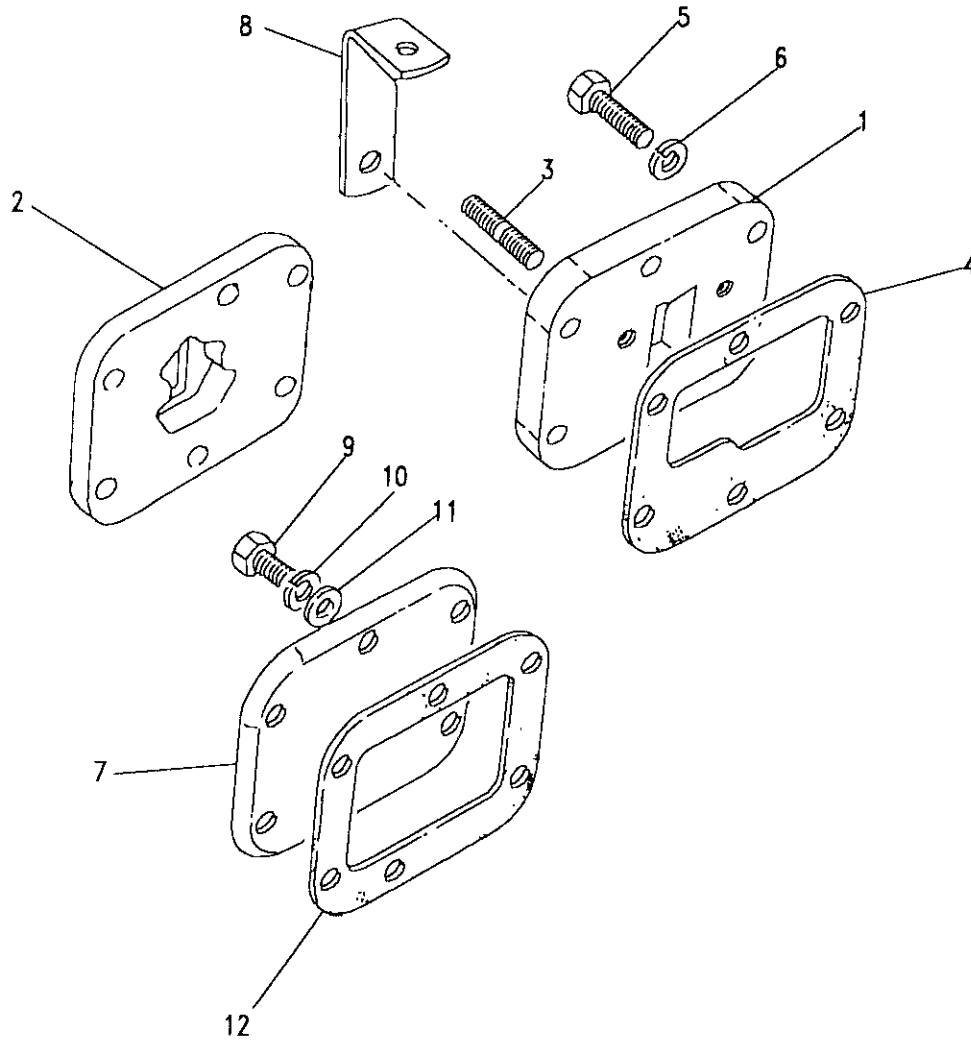
127

ENGINE

Model DEFENDER 110 1987 onwards  
Page AFBHBC1A

ENGINE - SIDE COVER - 2.5 DIESEL TURBO

III. Part No.	Description	Qty	Remarks
1	ERC9073	1	Upto19J14097C
2	ETC7929	1	From19J14098C
3	TE108041L	1	
4	ERR1475	2	
5	SH108251L	1	
6	WL108001L	6	
7	541010	6	
8	ERC9480	1	
9	FS108207L	1	
10	SH108251L	3	
11	WA108051L	3	
12	WL108001L	6	
	ERR3605	1	







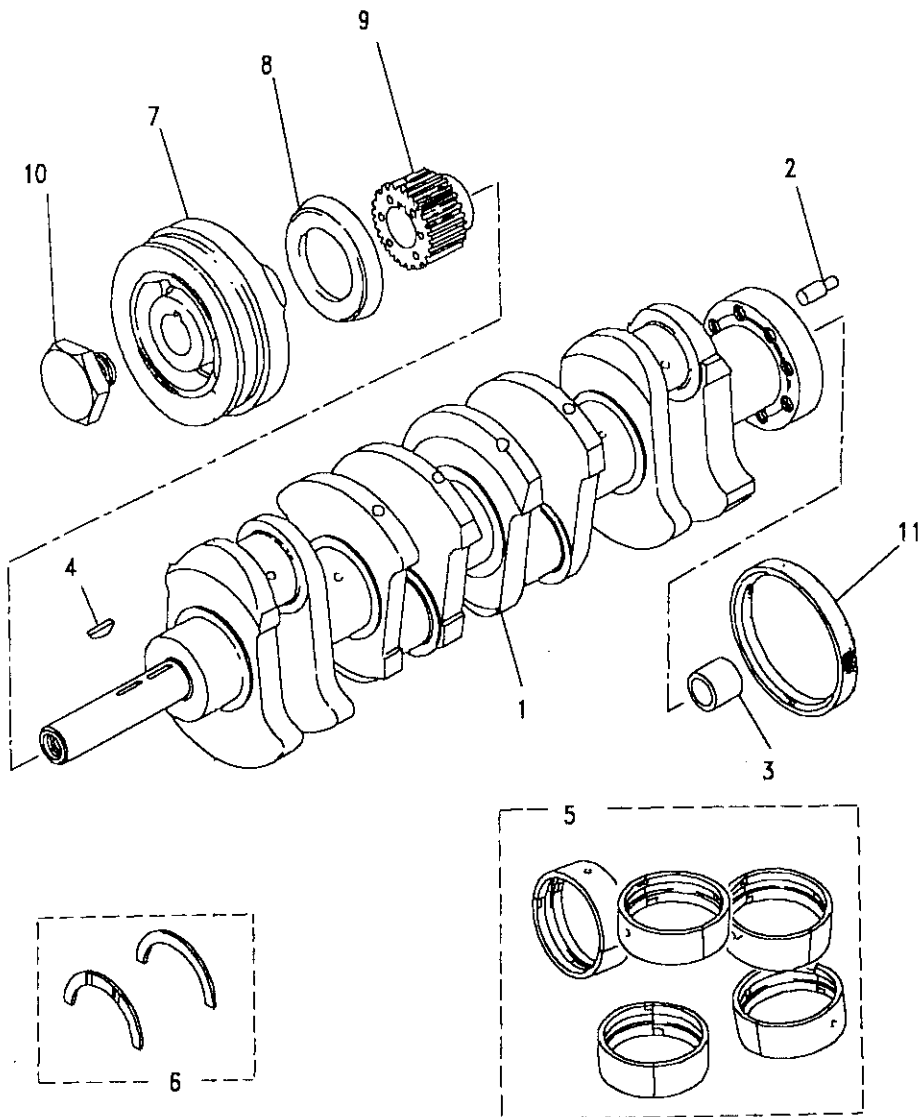
Model DEFENDER 110 1987 onwards

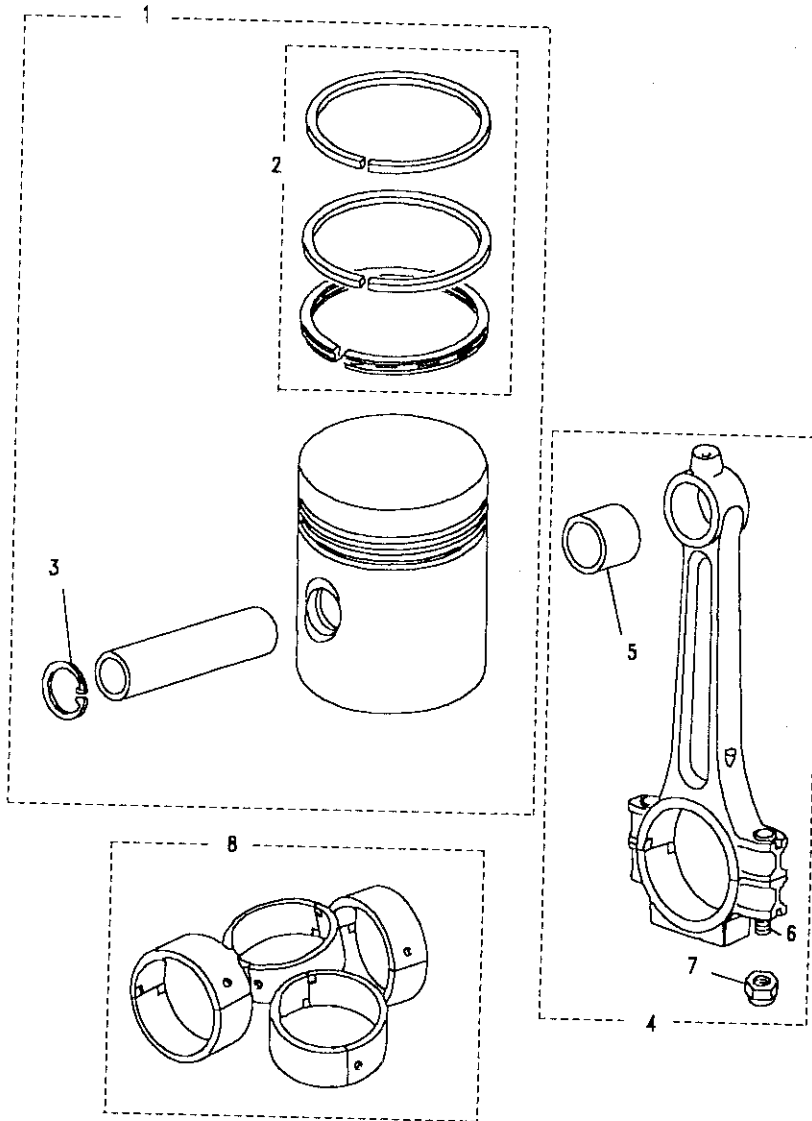
Page AFBHCA1A

ENGINE - CRANKSHAFT - 2.5 DIESEL TURBO

Ill. Part No.	Description	Qty	Remarks
1	ETC8829 ERR1181	1	Crankshaft 1 UptoAUG1989
2	ERR1630	1	Dowel crankshaft 1 FromAUG1989
3	8566L	1	Bush crankshaft
4	235770	2	Key
5	RTC4783 RTC478310	1	Bearing set main 1
6	RTC2825 538131 538132 538134	A/R	Washer thrust standard A/R Washer thrust 0025" A/R Washer thrust 0050" A/R Washer thrust 010"
7	ETC4077 ETC4105	1	Damper & pulley assy 1 BASIC
8	ERC6860	1	Pulley air con 1 Note(1)
9	ERC6859	1	Pulley air con/PAS
10	ETC7934 ERR605	1	Bolt crankshaft 1
11	ERR705 ERR2532	1	Washer thrust crankshaft 1 )FromAUG1989 Seal oil crankshaft rear 1 )

Note(1) Use with appropriate pulley when AIR CON or P.A.S.is fitted





**Model** DEFENDER 110 1987 onwards  
**Page** AFBHCC1A

### ENGINE - PISTONS - 2.5 DIESEL TURBO

III. Part No.	Description	Qty	Remarks
1	ETC8676	4	Piston assy standard
	RTC599320	4	Piston assy 0.020" o/s
2	RTC6174S	4	Kit piston rings std
	RTC617420	4	Kit piston rings 0.020"
3	266945	4	Circlip
4	ERR593	8	Con rod assembly
5	247583	4	Bush-gudgeon pin
6	ETC7357	4	Bolt-conn rod
7	ETC8191	8	Nut conn rod
<b>Con Rod Bearing: Engine Set</b>			
8	RTC2993	1	Bearing set big end
	RTC299310	1	Bearing set big end 0.010 o/s

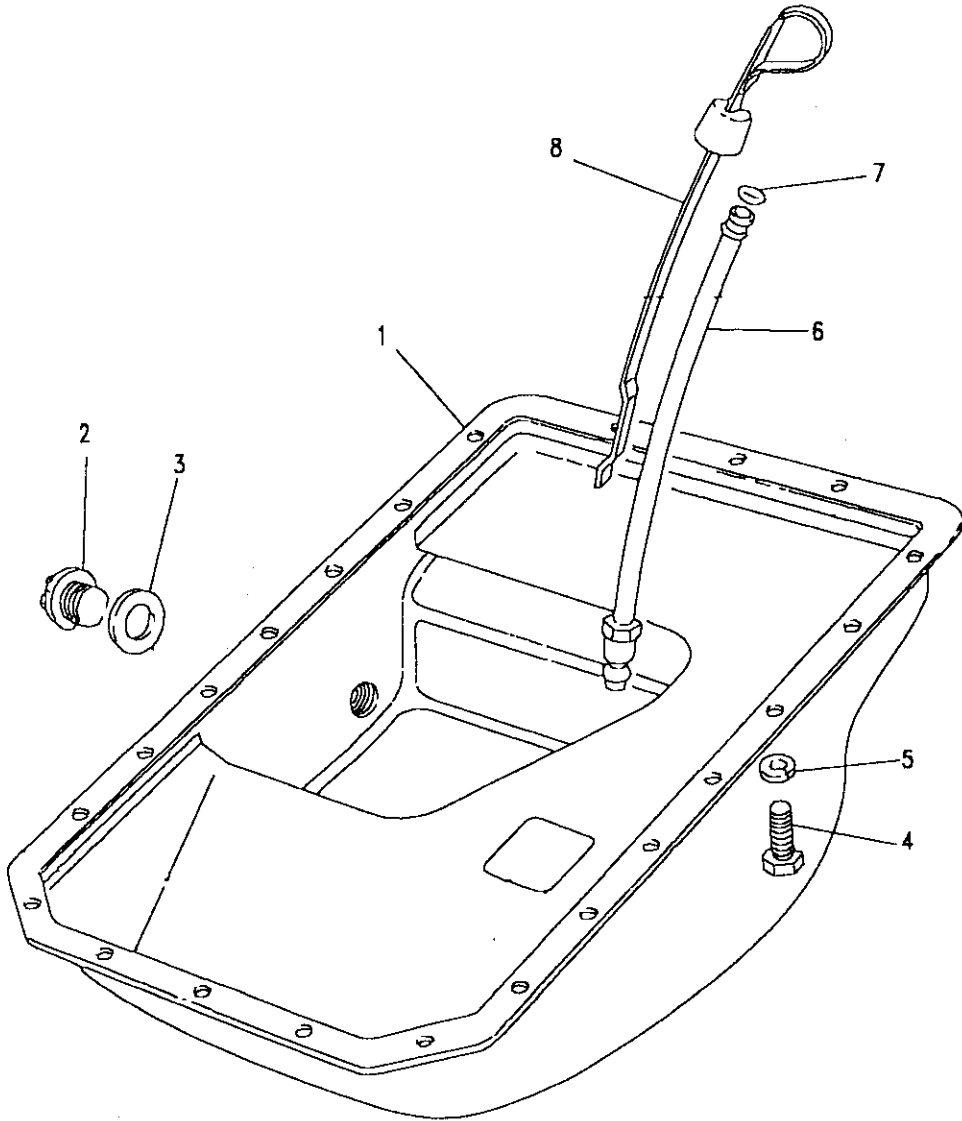


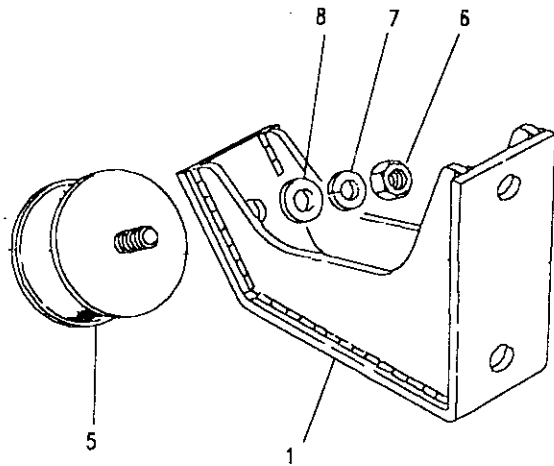


Model DEFENDER 110 1987 onwards  
Page AFBHDA1A

ENGINE - SUMP - 2.5 DIESEL TURBO

Ill. Part No.	Description	Qty	Remarks
1	ERR4716	1	Sump-crankcase
2	599552	1	Plug drain
3	FRC4808	1	Washer joint-Plug
4	SH108161L	22	Screw
5	WL108001L	22	Washer spring
6	ERC8980	1	Tube-dipstick
7	532387	1	Ring sealing-tube
8	ETC7867	1	Dipstick



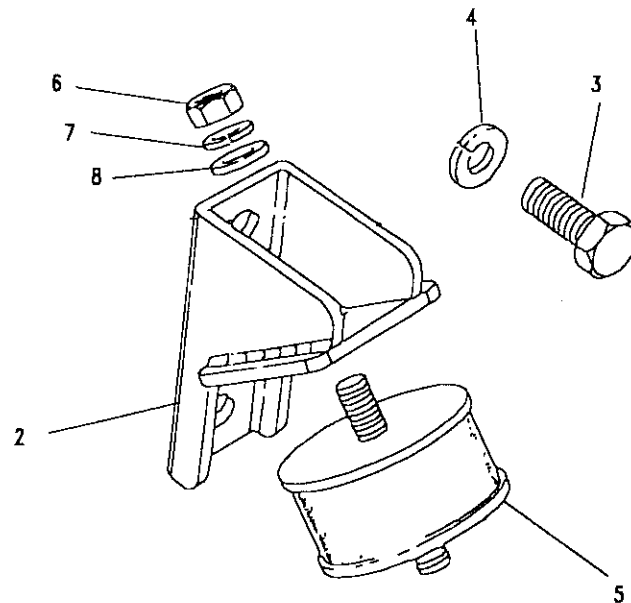


Model DEFENDER 110 1987 onwards  
Page AFBHDC1A

ENGINE - MOUNTINGS - 2.5 DIESEL TURBO

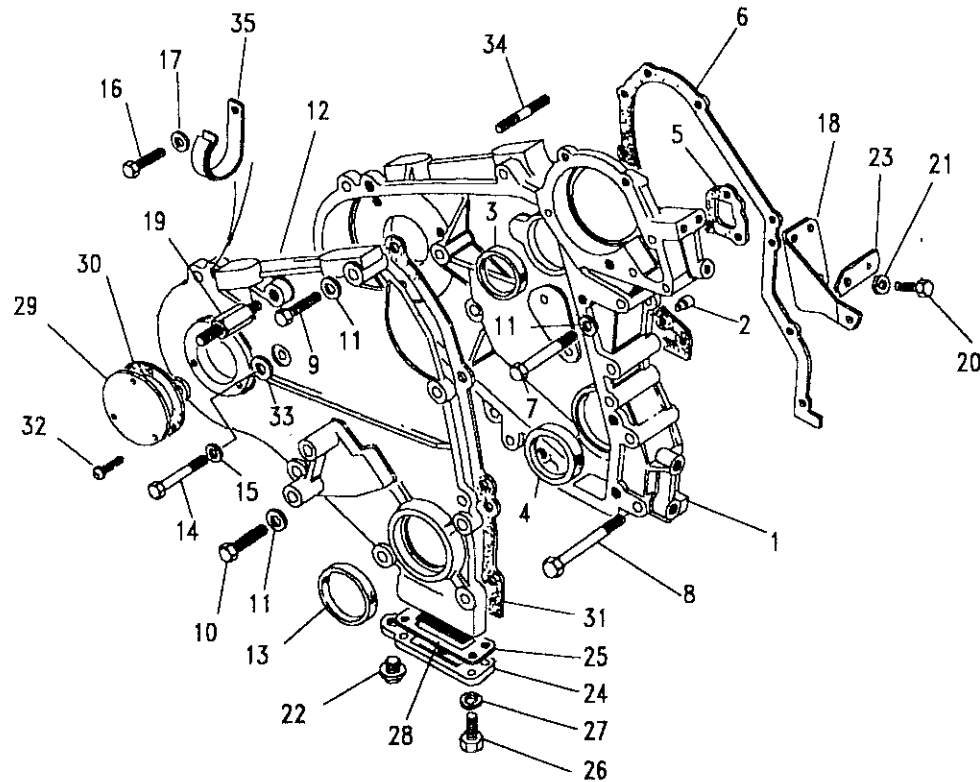
III. Part No.	Description	Qty	Remarks
1	NRC5434	1	Mounting foot-RH
2	NRC9557	1	Mounting foot-LH
3	SH112251L	4	Screw-foot to block
4	WL112001L	4	Washer-foot to block
5	NRC9560	4	Rubber engine mounting
	ANR1808	2	Mounting rubber
6	NH110041L	1	Nut-rubber to foot
7	WC110061L	4	Washer-rubber to foot
8	WL110001L	2	Washer-rubber to foot
		1	Note(1)
		1	Note(2)

Note(1) Up to chassis JA920702  
Note(2) From chassis JA920703



Model DEFENDER 110 1987 onwards  
 Page AFBHEA1A

ENGINE - FRONT COVER - 2.5 DIESEL TURBO



III. Part No.	Description	Qty	Remarks
1	ETC4421	1	NON AIR CON
	ETC5672	1	AIR CON
2	6395L	1	
3	ETC5064	1	
4	ETC5065	1	
5	ERR1607	1	
6	538039	1	
7	BH108111L	1	
8	FB108121L	4	
9	BH108201L	1	
10	BH108251L	2	
11	WA108051L	8	
12	ETC4422	1	NON AIR CON
	ETC5675	1	AIR CON
13	ETC4154	1	
14	BH108131L	1	
15	WA108051L	1	
16	SH108121L	1	
	SH108251L	1	
17	WA108051L	7	
18	ERC6479	1	
19	ETC4996	1	
20	FS108201L	3	
21	WL108001L	3	
22	ERC7295	1	
23	ERC9404	1	

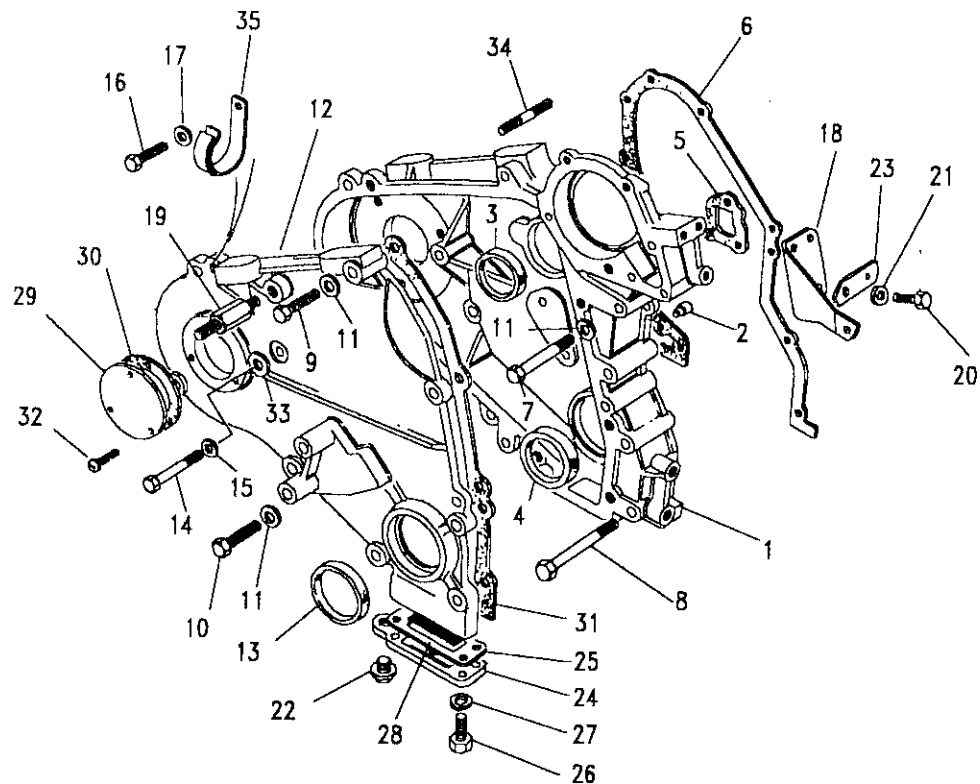


Model DEFENDER 110 1987 onwards

Page AFBHEA1A

## ENGINE - FRONT COVER - 2.5 DIESEL TURBO

Ill. Part No.	Description	Qty	Remarks
24	ETC4058	1	Drain plate
25	ERR3615	1	Gasket front cover
26	FS106201L	4	Screw-plate to cover
27	WA106041L	4	Washer-plate to cover
28	ETC4063	1	Strainer
29	ERC9199	1	Plate cover
30	ERR3614	1	Gasket cover plate
31	ERR3616	1	Gasket front cover
32	SE106121L	3	Screw
33	ERR3604	1	Gasket front cover
34	ETC4873	3	Stud-DPS to front cover
35	ETC4630	1	Bracket mounting

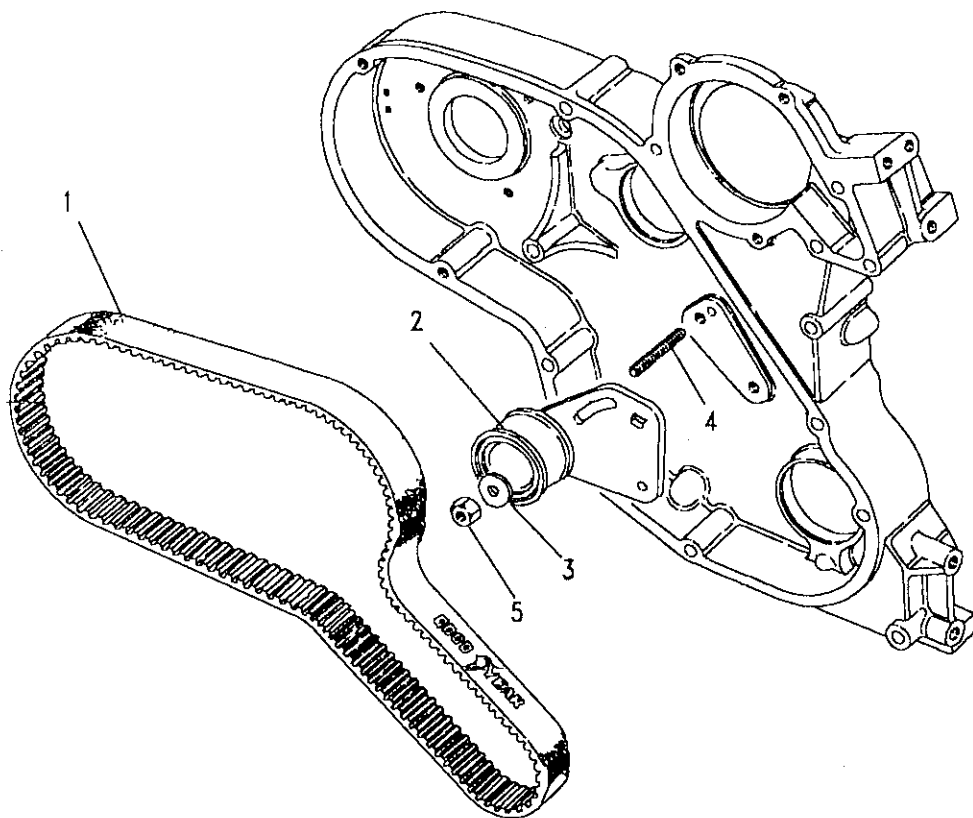




Model DEFENDER 110 1987 onwards  
Page AFBHEC1A

ENGINE - TIMING BELT - 2.5 DIESEL TURBO

III. Part No.	Description	Qty	Remarks
1	ETC7333	1	Belt timing
2	ERC8861	1	Tensioner assembly
3	4594L	2	Washer
4	TE108061L	2	Stud
5	NY108041L	2	Nut





DEFENDER 110 1987 onwards

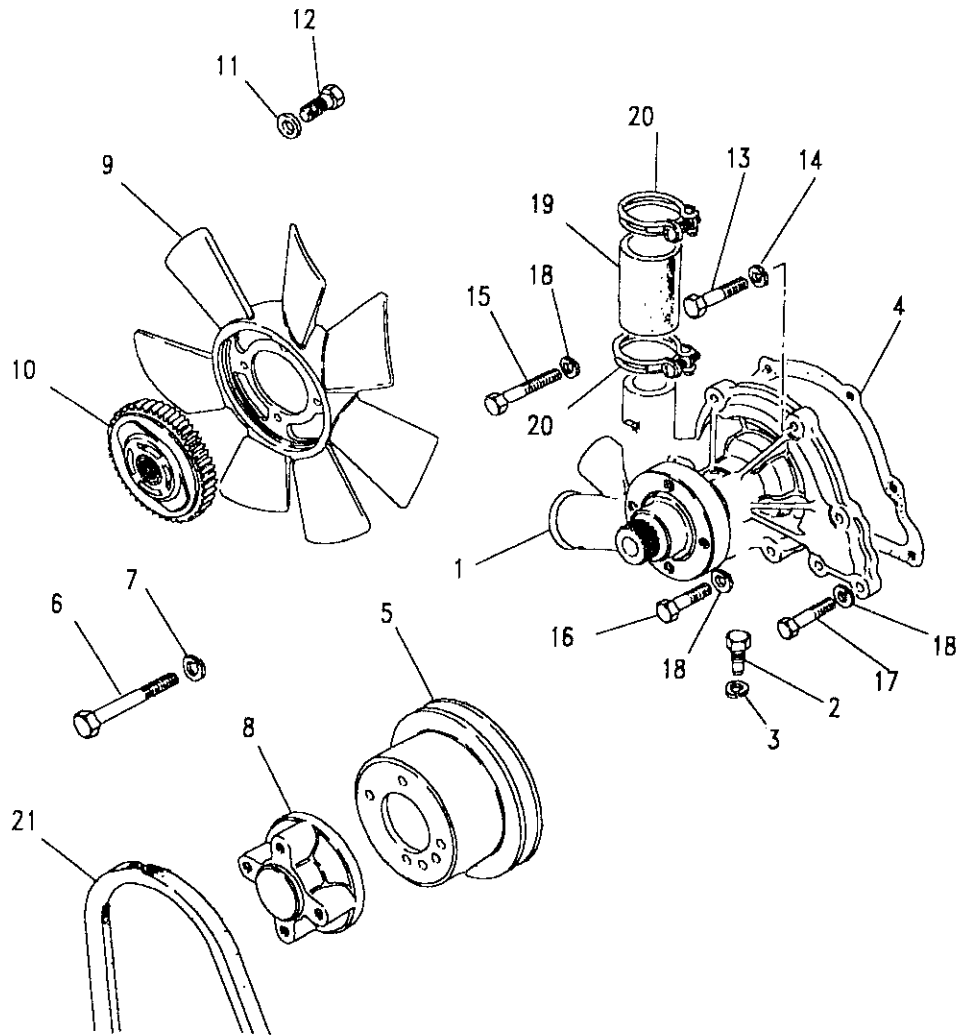
135

ENGINE

Model DEFENDER 110 1987 onwards  
Page AFBHEE1A

ENGINE - WATER PUMP - 2.5 DIESEL TURBO NON AIR CON

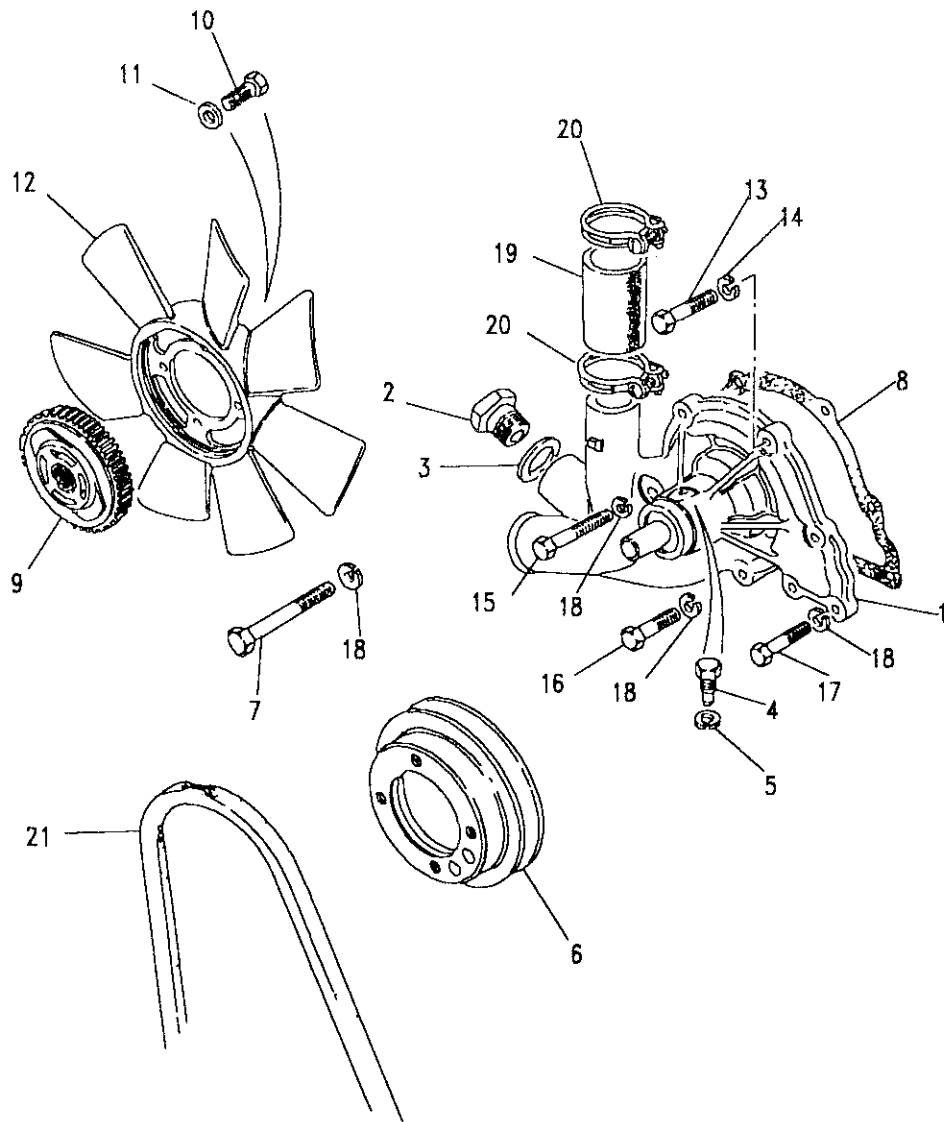
Ill. Part No.	Description	Qty	Remarks
1	STC635	1	Pump water assembly
2	ERC5600	1	Bolt
3	WL106001L	1	Washer spring
4	ERC5655	1	Gasket
5	ETC4785	1	Pulley
6	SH108161L	1	Screw
7	WL108001L	4	Washer spring
8	ERC7489	4	Spacer-pump to fan
9	ERR3380	1	Fan blade
10	ETC7238	1	Viscous unit
11	4589L	1	Washer
12	ERC5709	4	Bolt
9	ETC6852	4	Fan-11 blade
10	ETC6841	1	Viscous unit
11	587405	1	Washer
12	SH505051L	4	Bolt
13	FB108061	4	Bolt
14	WL108001L	3	Washer spring
15	BH108151L	3	Bolt
16	BH108161L	1	Bolt
17	BH108171L	2	Bolt
18	WL108001L	1	Washer spring
19	ERC5654	4	Hose-by pass outlet
20	CN100408L	1	Clip-hose
21	ETC7939	2	Belt fan
		1	





Model DEFENDER 110 1987 onwards  
 Page AFBHEE2A

ENGINE - WATER PUMP - 2.5 DIESEL TURBO AIR CON



III. Part No.	Description	Qty	Remarks	
1	STC635	1	Pump water assembly	
2	ERC7312	1	Plug	
3	232046	1	washer joint	
4	ERC5600	1	Bolt special	
5	WL106001L	1	Washer spring	
6	ETC4457	1	Pulley	
7	BH106051L	4	Bolt-pulley to hub	
8	ERC5655	1	Gasket	
9	ETC7238	1	Viscous unit	
9	ETC8586	1	Viscous unit-TAXI	) UK/EUROPE
10	ERC5709	4	Bolt	)
11	4589L	4	Washer	)
12	ERR3380	1	Fan-7 blade	)
9	ETC6841	1	Viscous unit	)
10	SH505051L	4	Bolt	) R.O.W.
11	587405	4	Washer	)
12	ETC6852	1	Fan-11 blade	)
13	FB108061	3	Bolt	)
14	WL108001L	3	Washer spring	)
15	BH108151L	1	Bolt	)
16	BH108161L	2	Bolt	)
17	BH108171L	1	Bolt	)
18	WL108001L	4	Washer spring	)
19	ERC5654	1	Hose-by pass water outlet	)
20	CN100408L	2	Clip-hose	)
21	ETC7939	1	Belt fan	)



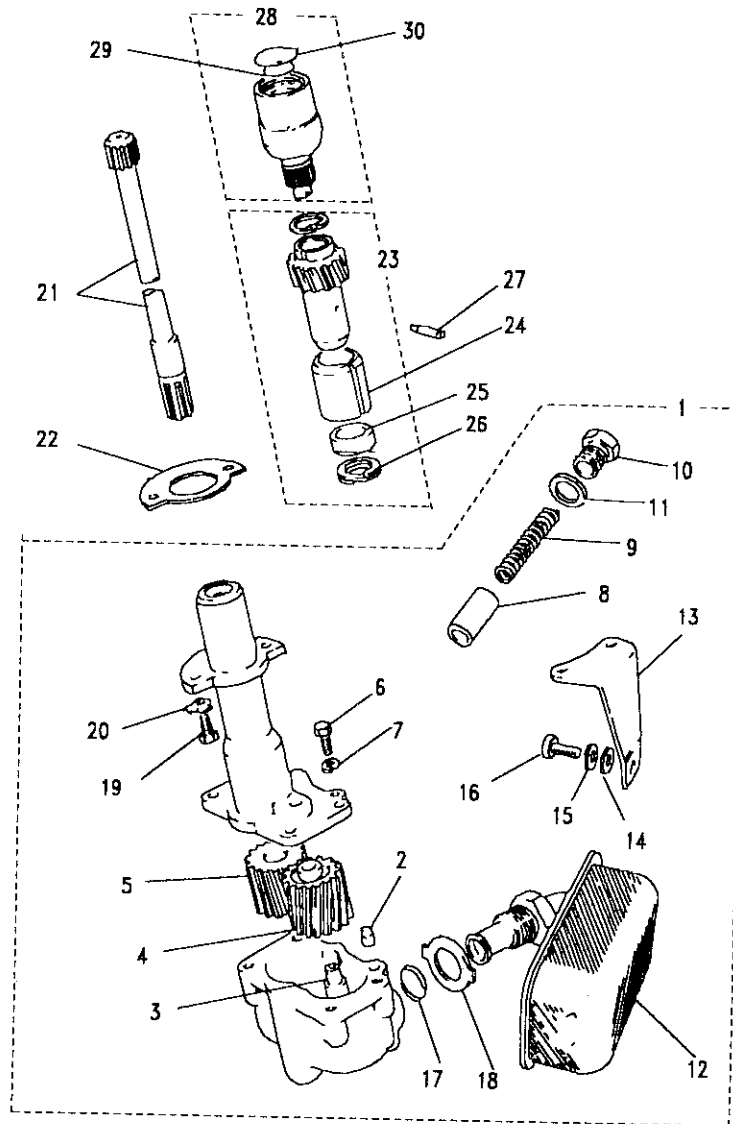
DEFENDER 110 1987 onwards

137

ENGINE

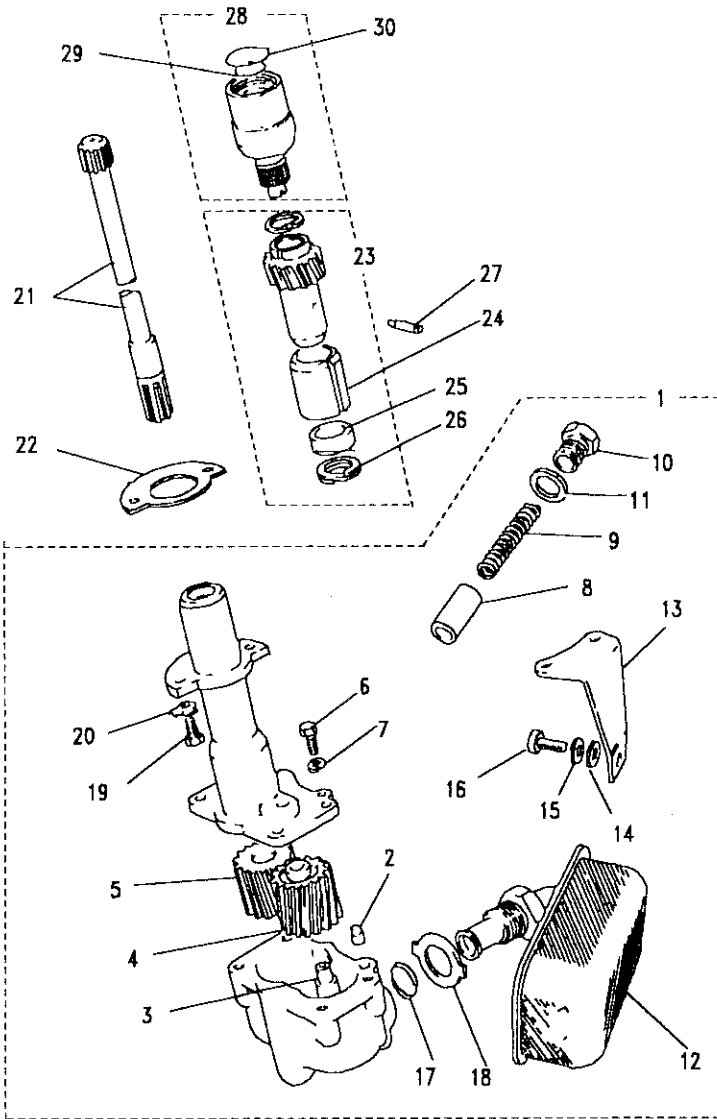
Model DEFENDER 110 1987 onwards  
Page AFBHFA1A

ENGINE - OIL PUMP - 2.5 DIESEL TURBO



III. Part No.	Description	Qty	Remarks
1 ERR1117	Pump oil assembly	1	
2 236257	Dowel	2	
3 ERR1063	Spindle-idler wheel	1	
4 ERR1088	Idler wheel	1	
5 ERC9706	Drive wheel	1	
6 FS108201L	Screw-cover to block	4	
7 WL108001L	Washer spring	4	
8 ETC4880	Plunger-oil relief	1	
9 564456	Spring-oil relief	1	
10 564455	Plug-oil relief	1	
11 232044	Washer joint	1	
12 ERC7530	Filter	1	
13 ERC7940	Bracket support-filter	1	
14 WA108051L	Washer	1	
15 WL108001L	Washer spring	1	
16 FS108201L	Screw flanged	1	



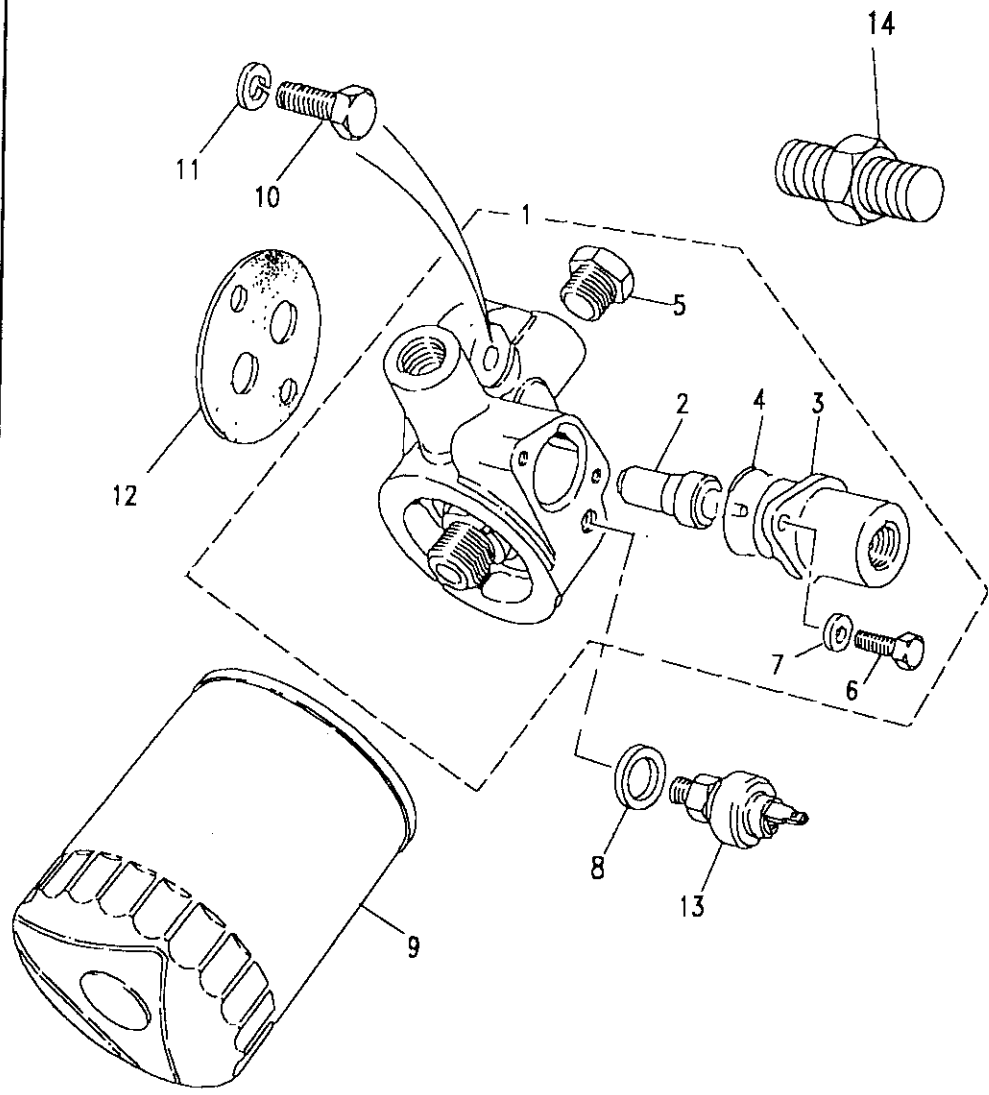


**Model** DEFENDER 110 1987 onwards  
**Page** AFBHFA1A

**ENGINE - OIL PUMP - 2.5 DIESEL TURBO**

III. Part No.	Description	Qty	Remarks
17 244488	'O'ring	1	
18 244487	Washer lock	1	
19 SH108251L	Screw	2	
20 247665	Washer lock	2	
21 ERR850	Shaft	1	
22 ERR3606	Gasket oil pump	1	
23 ETC6139	Gear-bush-assembly	1	Note(1)
24 522745	Bush	1	
25 ETC6137	Washer thrust	1	
26 ETC6138	Ring locking	1	
27 ETC6142	Screw-locating shaft	1	
28 ETC4706	Coupling	1	
29 RTC6167	O ring-inner	1	
30 RTC6168	O ring-outer	1	

Note(1) Remove plug before assembling DRIVE SHAFT & COUPLING



**Model** DEFENDER 110 1987 onwards  
**Page** AFBHFA2A

**ENGINE - OIL FILTER - 2.5 DIESEL TURBO**

III. Part No.	Description	Qty	Remarks
1	ERR1347	1	Adaptor oil assembly
2	ERC5923	1	Thermostat bulb
3	ETC4022	1	Adaptor
4	ERC5913	1	'O' ring
5	ETC4021	1	Plug
	PRC4372	1	Transmitter
6	SH106141L	1	Screw
7	WA106041L	2	Washer
8	ERR3340	2	Filter oil
9	SH110301L	1	Oil
10	WL110001L	2	Screw
11	ERR3607	2	Washer spring
12	PRC6387	1	Gasket oil filter housing
13	232039	1	Switch-oil pressure
14	NRC8618	1	Washer joint-switch
	PRC4043	1	Coupling
	ETC4033	1	Transmitter
	ETC4034	1	Adaptor-oil pressure
		1	Banjo-oil pressure switch

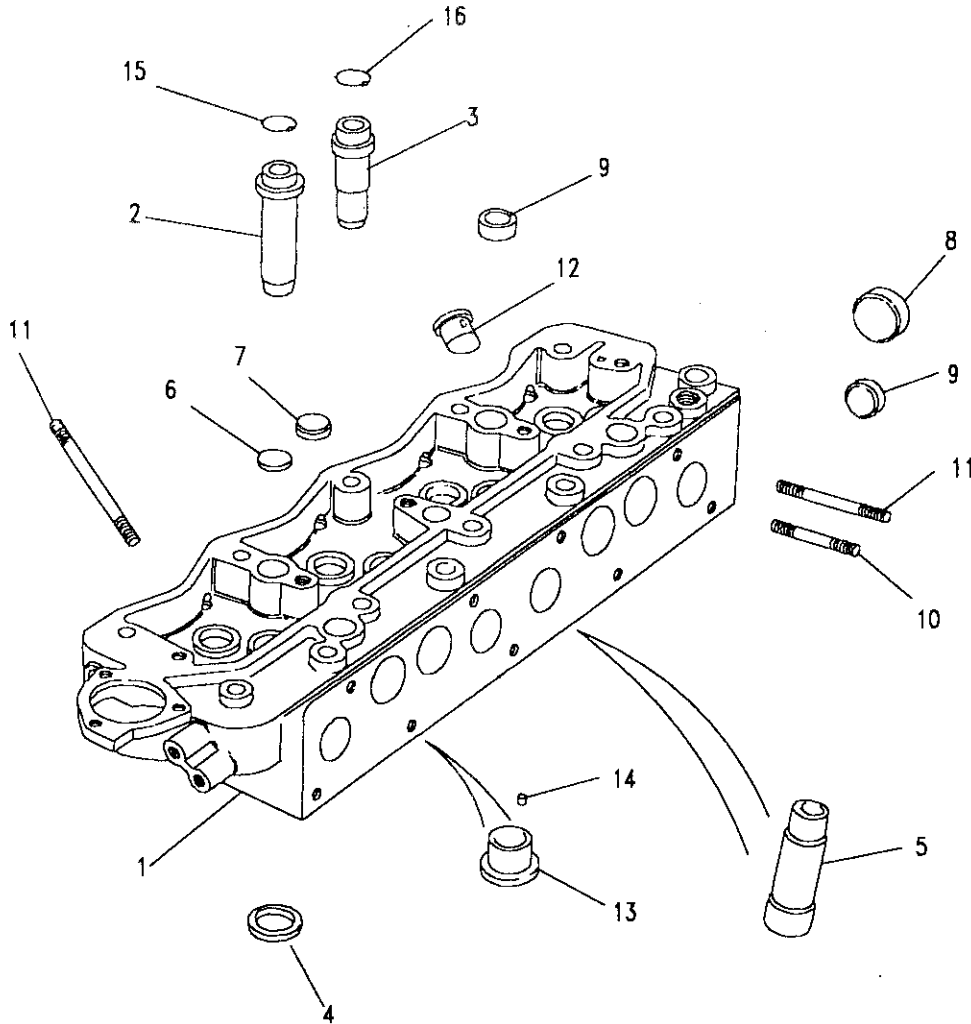
OPTIONAL

} OPTIONAL



**Model** DEFENDER 110 1987 onwards  
**Page** AFBHGA1A

**ENGINE - CYLINDER HEAD - 2.5 DIESEL TURBO**

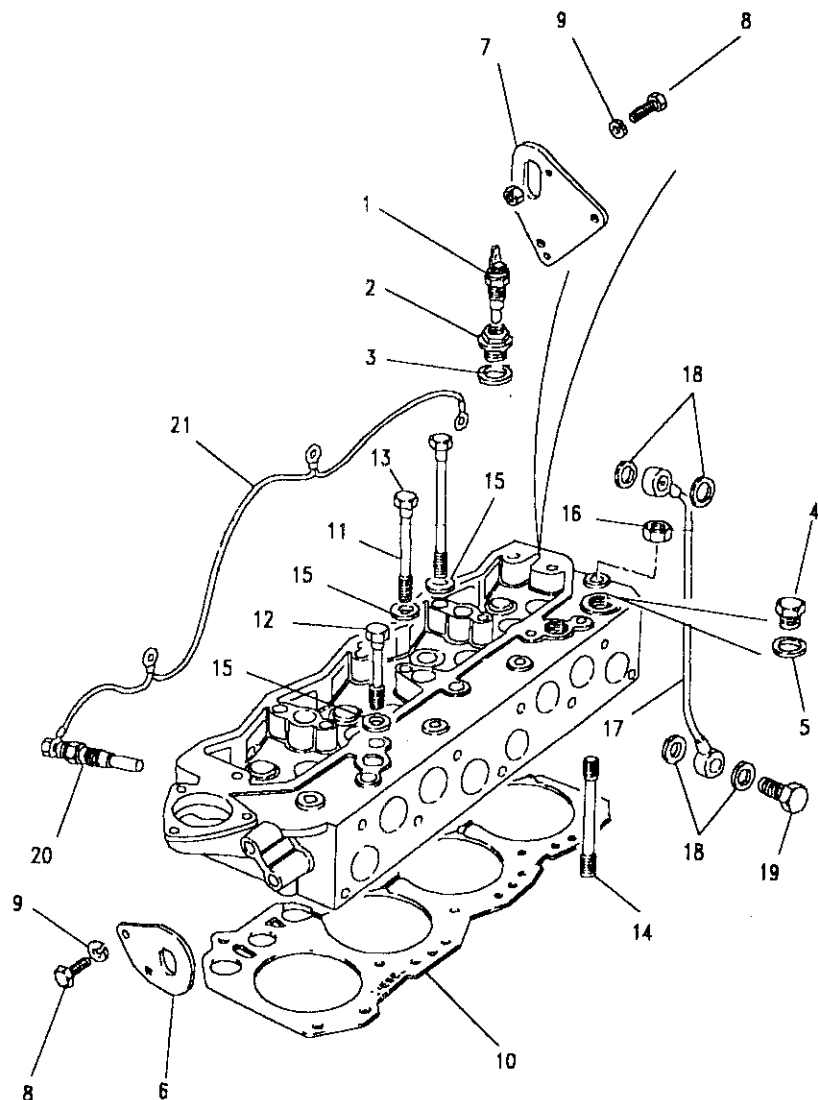


III. Part No.	Description	Qty	Remarks
1	ETC4649 STC803 Cylinder head assembly	1	Upto 19J25183C
2	568688 ERR2861 Guide valve-inlet	4	From 19J25184C
3	568689 ERR2860 Guide valve-exhaust	4	Note(1)
4	ERC9631 ERR3081 Insert-valve seat-exh	4	Note(1)
5	ERC8663 ETC4643 ERR3082 Insert-valve seat-inlet	4	Note(1)
6	250830 Welch plug	2	
7	525497 Cup plug	9	
8	524765 Cup plug	1	
9	602289 Cup plug	2	
10	ETC7190 Stud-manifold	1	
11	TE108071L Stud	8	
12	ERC9501 Shroud injector	4	
13	ERR1223 Hot plug	4	
14	PA105101L Peg locating-hot plug	4	
15	ERR1510 Seal-inlet valve	4	
16	ETC4751 Seal-exhaust valve	4	

Note(1) Fitted from November 1992

Model DEFENDER 110 1987 onwards  
 Page AFBHGA2A

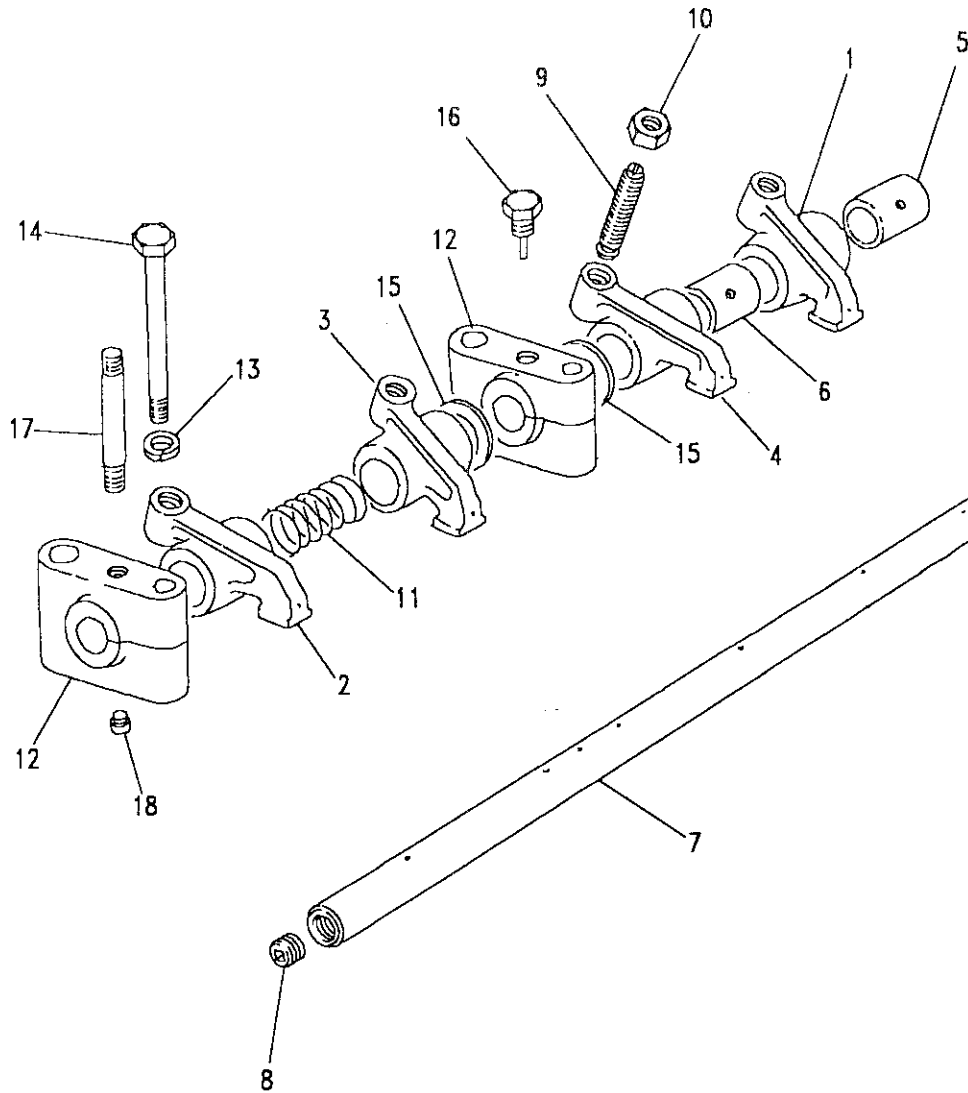
ENGINE - CYLINDER HEAD - 2.5 DIESEL TURBO



III. Part No.	Description	Qty	Remarks
1	PRC2505	1	Transmitter-water temp
	PRC6663	1	Transmitter-water temp
2	ERC9432	1	Adaptor-transmitter
3	10802070	1	Washer-adaptor
4	ERC9448	1	Plug-rear heater hole
	RTC6851	1	Plug
5	AFU1890L	1	Washer joint-plug
	243960	1	Washer joint
6	ERC2254	1	Bracket lifting-front
7	ETC5816	1	Bracket lifting-rear
8	FS108207L	4	Screw-bracket to head
9	WL108001L	4	Washer spring
10	ERR3618	1	Gasket cylinder head
11	247051	9	Bolt head to block
12	247683	2	Bolt head to block
13	247723	5	Bolt head to block
14	90518466	2	Stud head to block
15	ERC6821	18	Washer-head to block
16	NH608061L	2	Nut head to block
17	275679	1	Pipe-oil lead to rockers
18	ETC6510	4	Washer joint
19	ETC4498	2	Bolt banjo
20	ERC8450	4	Glow plug
21	PRC6295	1	Cable assembly-glow plugs

Model DEFENDER 110 1987 onwards  
 Page AFBHGC1A

ENGINE - ROCKER SHAFT - 2.5 DIESEL TURBO



III. Part No.	Description	Qty	Remarks
1	ERC9060	2	Rocker arm exhaust RH
2	ERC9059	2	Rocker arm exhaust LH
3	247738	4	Bush-exhaust rockers
4	ERC9056	2	Rocker arm inlet RH
5	ERC9055	2	Rocker arm inlet LH
6	247737	4	Bush-inlet rockers
7	ERC6341	1	Shaft
8	ERC6337	2	Plug-shaft
9	ERC9054	8	Screw-tappet adjuster
10	NT108041L	8	Lock Nut-M8
11	247040	4	Spring
12	ERC9137	5	Bracket-rocker shaft
13	WL108001L	5	Washer spring
14	FB108111L	5	Bolt flanged
15	247153	8	Washer-rocker shaft
16	ETC4460	1	Screw-shaft location
17	TD108091L	3	Stud-M8-rocker cover
18	277956	3	Dowel-rocker

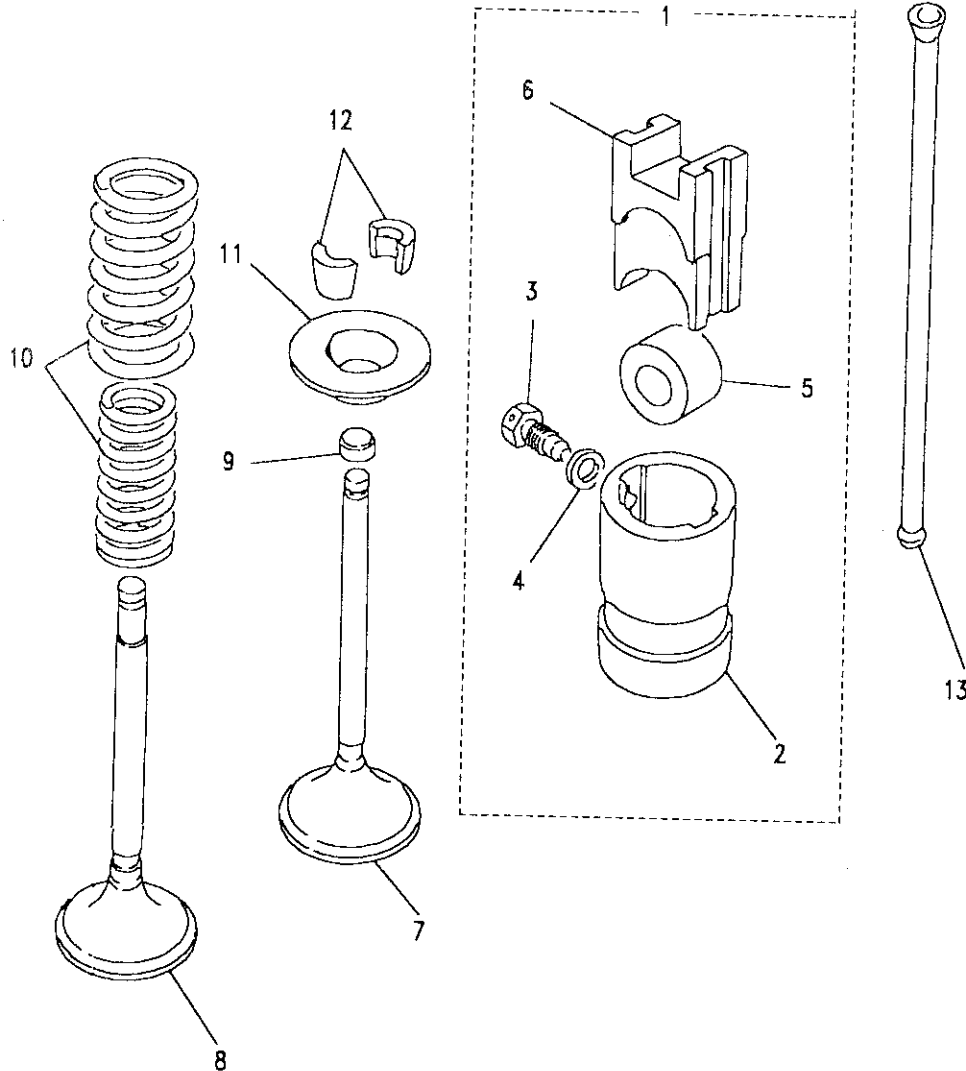


Model DEFENDER 110 1987 onwards  
Page AFBHGE1A

ENGINE - VALVES & TAPPETS - 2.5 DIESEL TURBO

III. Part No.	Description	Qty	Remarks
1 507829	Tappet assembly	8	
2 502473	Guide tappet	8	
3 ETC4246	Set bolt	8	
4 273069	Washer-tappet guide	8	
5 ERR561	Roller follower	8	
6 ERR607	Tappet slide	8	
7 ETC5739	Valve inlet	4	
8 ETC5740	Valve exhaust	4	
9 ERR4175	Cap-valve stem	8	Note(1)
10 ERR4640	Valve spring	8	
11 ETC4068	Cup-valve-spring	8	
12 ETC4069	Cotter split	16	
13 546799	Push rod	8	

Note(1) ERR1158 can be fitted if valve stem or rockers are worn



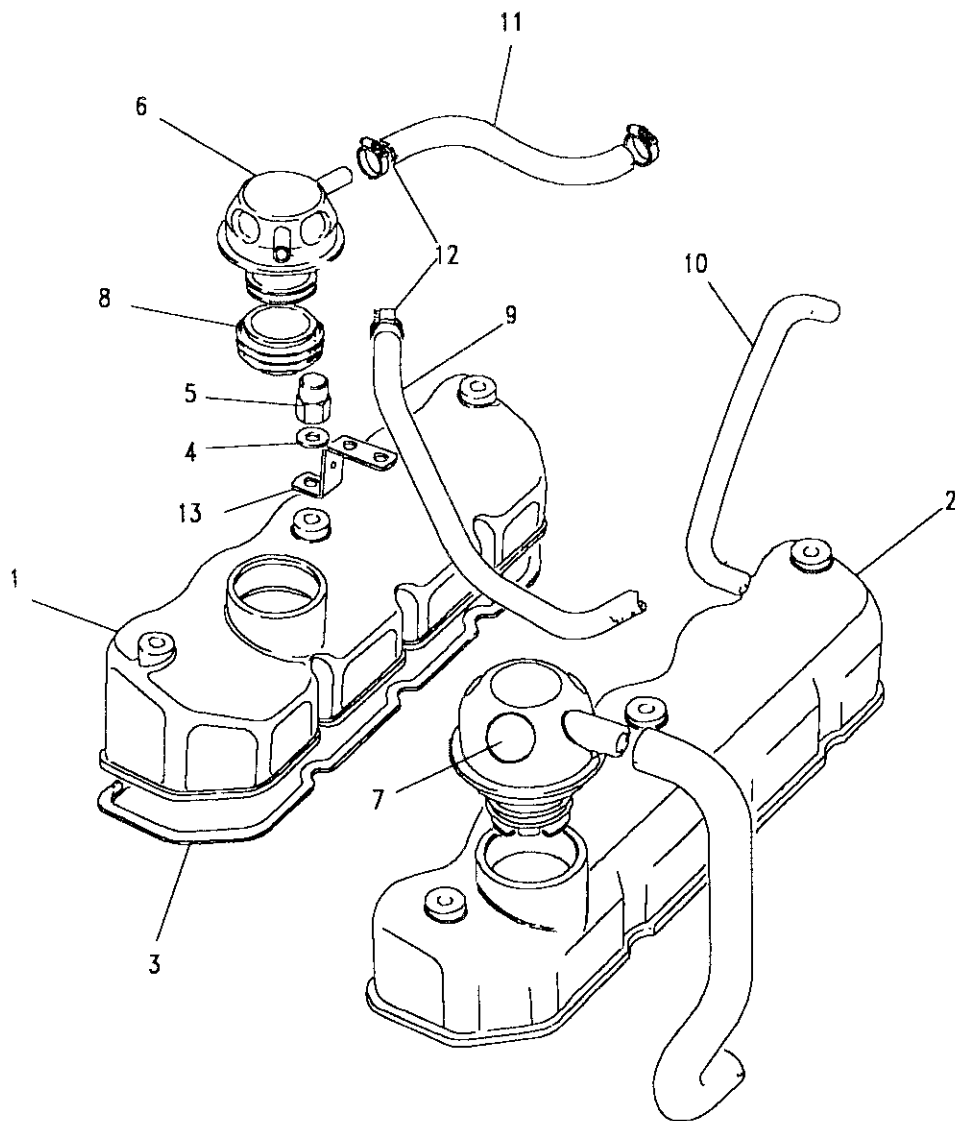


Model DEFENDER 110 1987 onwards  
 Page AFBHGG1A

ENGINE - ROCKER COVER - 2.5 DIESEL TURBO

III. Part No.	Description	Qty	Remarks
1	ETC6924	1	Upto 19J15451C
2	ETC8600	1	From 19J15452C
3	ETC6438	1	
4	273069	3	
5	ERC9220	3	
6	ETC7774	1	Upto 19J15451C
7	ERR737	1	From 19J15452C
8	ERC8049	1	Upto 19J15451C
	ERR736	1	From 19J15452C
9	ETC7187	1	Upto 19J15451C
10	ETC8636	1	From 19J15452C
11	ETC7059	1	
	RRC5728	1	Note(1)
12	CJ600224	2	
13	ETC5588	1	

Note(1) For vehicles with raised air intake





DEFENDER 110 1987 onwards

145

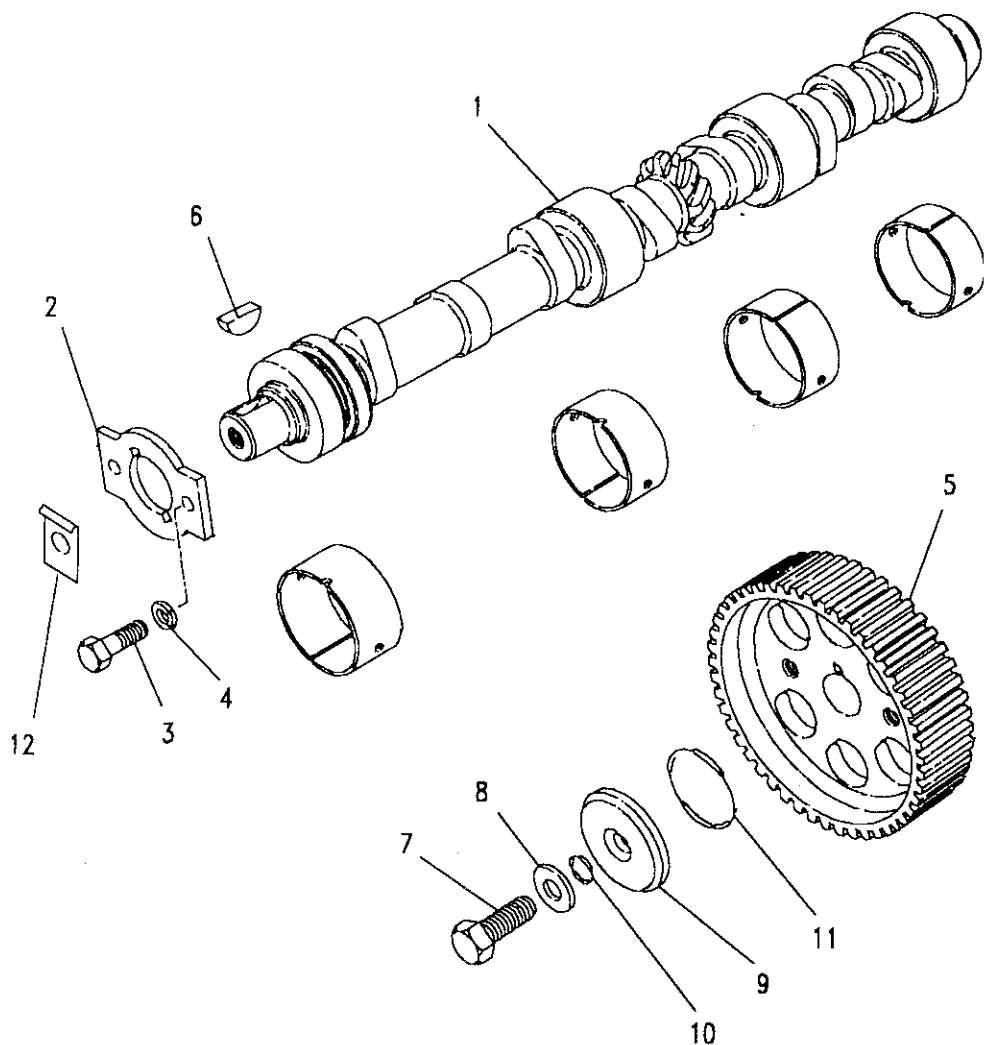
ENGINE

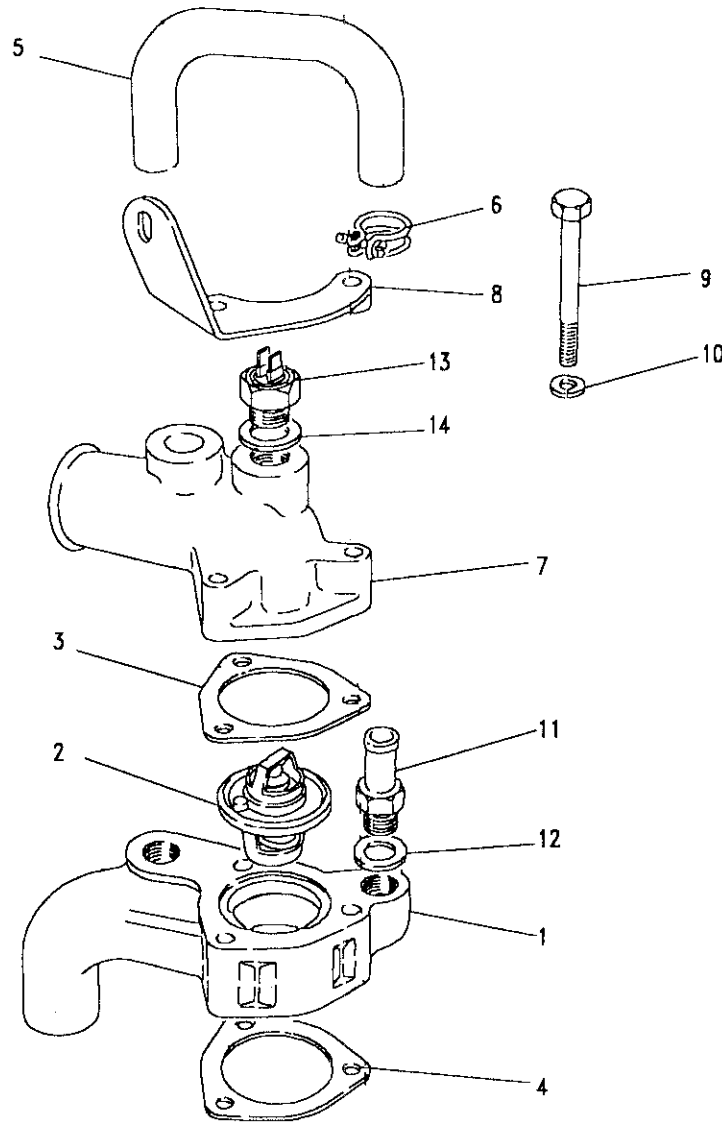
Model DEFENDER 110 1987 onwards

Page AFBHG1A

ENGINE - CAMSHAFT - 2.5 DIESEL TURBO

III. Part No.	Description	Qty	Remarks
1	ETC7128 Camshaft	1	
2	ERC1561 Plate thrust-camshaft	1	
3	FS108167 Screw-plate to block	2	
4	WL106001L Spring Washer	2	
5	ETC4014 Pulley	1	
6	230313 Key woodruff	1	
7	BX110071L Bolt	1	
8	ETC4670 Washer	1	
9	ERC8847 Plate-retaining	1	
10	ERC8849 'O' ring	1	
11	ETC4076 'O' ring	1	
12	2995 Locker	2	





**Model** DEFENDER 110 1987 onwards  
**Page** AFBHGK1A

**ENGINE - THERMOSTAT HOUSING - 2.5 DIESEL TURBO**

III. Part No.	Description	Qty	Remarks
1 ERC8758	Housing thermostat	1	
2 602687	Thermostat 82o	1	
ETC4761	Thermostat 74o	1	OPTIONAL
3 ERR3682	Gasket thermostat housing	1	
4 247874	Gasket-thermo housing	1	
5 ERC7510	Hose-connecting adaptors	1	
6 CN100258L	Clip-hose	2	
7 ETC5967	Outlet water connector	1	NON AIR CON
ETC5958	Outlet water connector	1	AIR CON
8 ETC5965	Bracket-cowl mounting	1	
9 BH106151L	Bolt-cover to head	3	
10 WL106001L	Washer spring	3	
11 624091	Adaptor	2	
12 243959	Washer joint	2	
13 PRC3359	Switch-temperature sensor	1	Note(1)
PRC3505	Switch-temperature sensor	1	Note(2)
14 C45759L	Washer-switches	2	

Note(1) Identified by GREEN paint

Note(2) Identified by RED paint



DEFENDER 110 1987 onwards

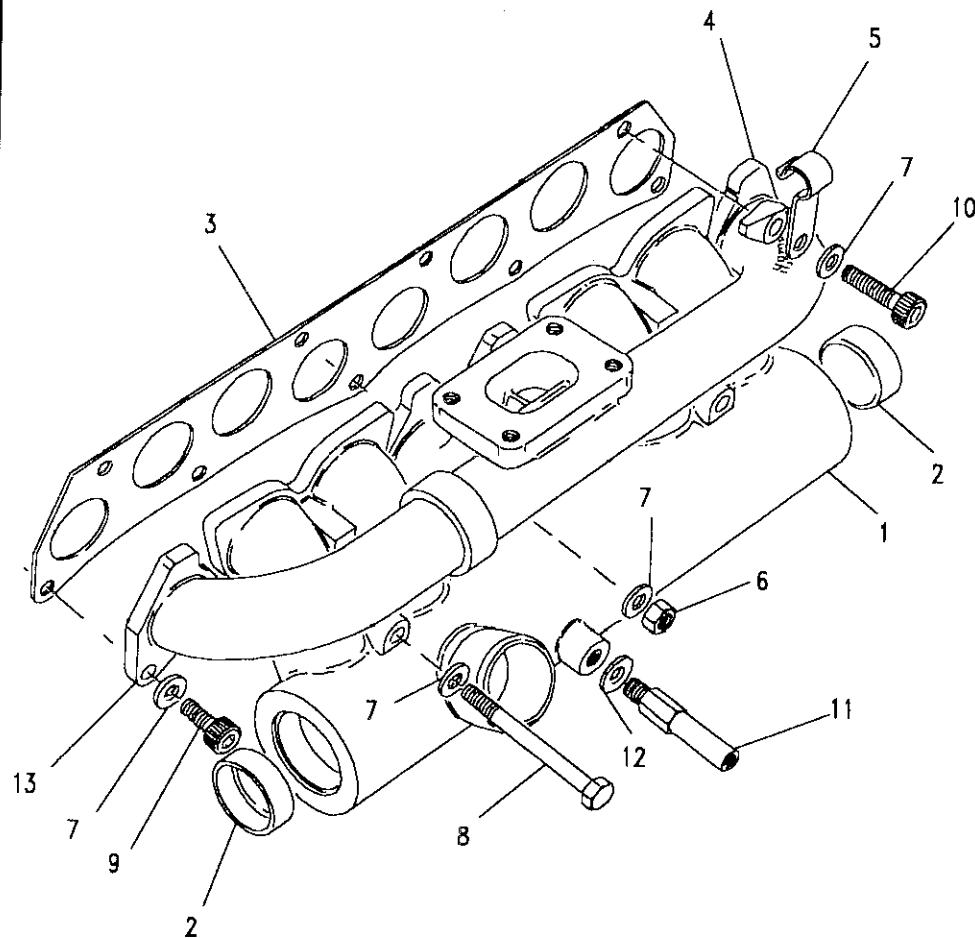
147

ENGINE

Model DEFENDER 110 1987 onwards

Page AFBHHA1A

ENGINE - MANIFOLD - 2.5 DIESEL TURBO



Ill. Part No.	Description	Qty	Remarks
1	ETC6492 Manifold inlet	1	
2	525428 Cup Plug	2	
3	ETC7750 Gasket-manifold to head	1	
4	564308 Clamp-manifold to head	4	
5	574654 Clip-manifold clamp	1	
6	NH108065L Nut	2	
7	WA108051L Washer	9	
8	ETC6910 Bolt	2	
9	ETC7917 Screw socket M8x35mm	3	
10	ETC7503 Spacer	3	Note(1)
11	ETC7917 Screw socket M8x35mm	2	
12	ETC7395 Bolt support-heat shield	1	
13	WJ108001L Washer	2	
	ETC7633 Manifold exhaust	1	
	ETC6970 Stud	2	
	NH108065L Nut	2	

Note(1) Only used on engines up to 19J15397C



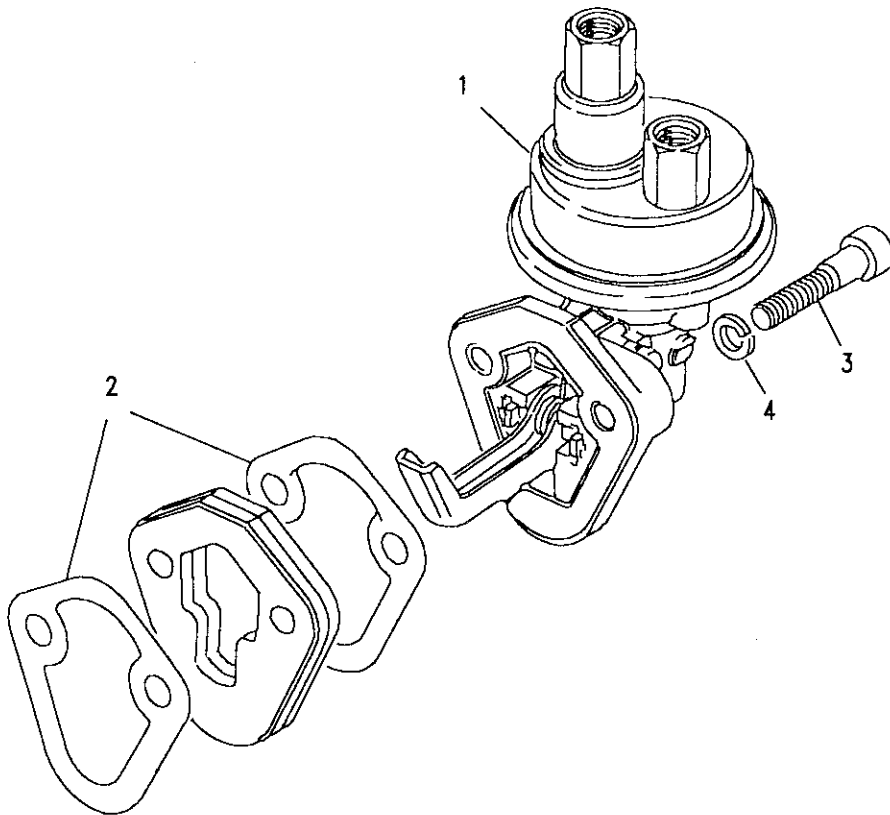


**Model** DEFENDER 110 1987 onwards  
**Page** AFBHKA1A

**ENGINE - FUEL PUMP - 2.5 DIESEL TURBO**

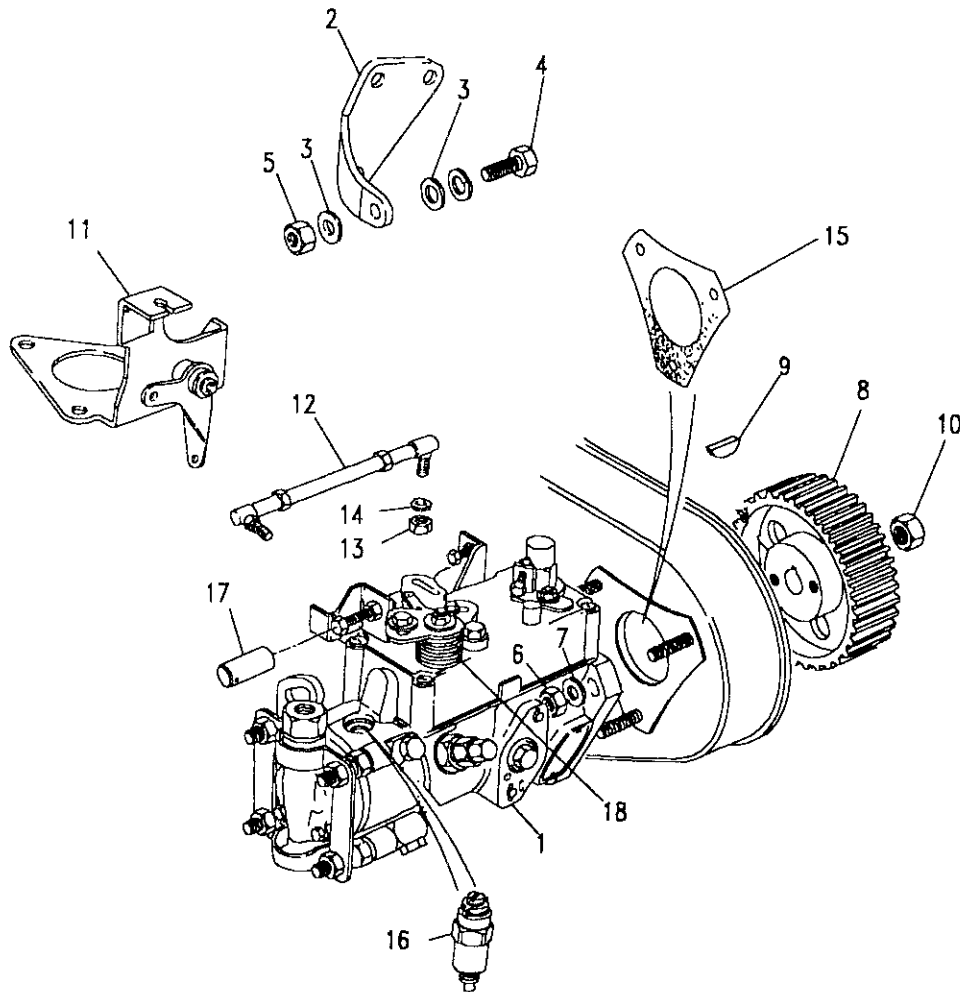
III. Part No.	Description	Qty	Remarks
1 ETC7869	Pump fuel	1	Note(1)
2 ETC7970	Gasket-fuel pump/side cov	2	
ERR2028	Gasket fuel pump	2	From Dec 93
3 SS108301L	Screw socket	2	
4 WA108051L	Washer	2	

Note(1) Use RTC6180 Fuel Pump Kit up to 19J14097C



Model DEFENDER 110 1987 onwards  
 Page AFBHKC1A

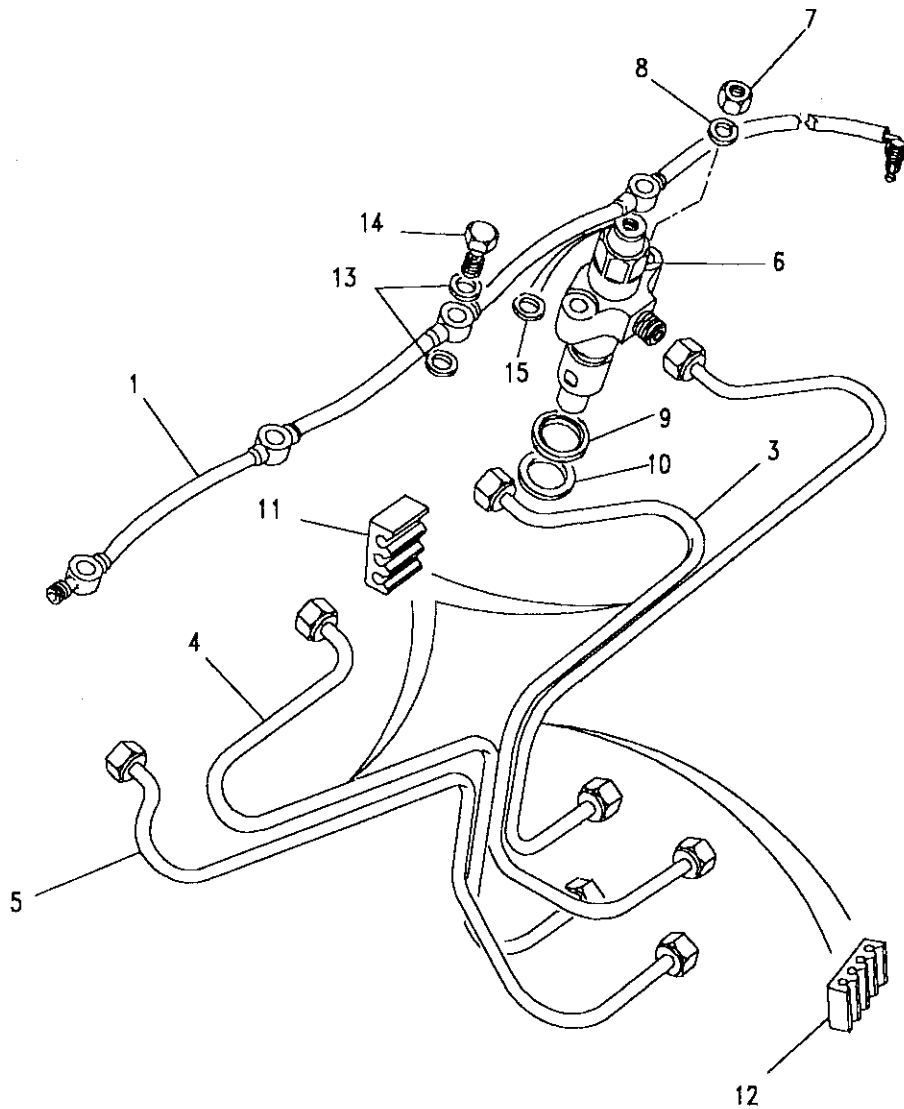
ENGINE - INJECTOR PUMP - 2.5 DIESEL TURBO



III. Part No.	Description	Qty	Remarks
1	ETC7136	1	Pump distributor
	ETC7136E	1	Pump distributor-exchange
2	ETC4070	1	Bracket support-pump
3	WA108051L	1	Washer-pump to bracket
4	SH108251L	2	Screw-pump to bracket
5	NY108041L	1	Nut-pump to bracket
6	NH108041L	1	Nut
7	WA108051L	3	Washer
8	ETC5717	3	Pulley
9	RTC5077	1	Key-pulley
10	NH112041L	1	Nut-fixing pulley
11	ETC6675	1	Lever throttle assembly
12	ETC4417	1	Link throttle assembly
13	NH105041L	1	Nut
14	WA105001L	2	Washer
15	ERR3617	3	Gasket injection pump
16	BAU4611L	1	Switch-fuel cut off
17	ETC4752	1	Sleeve-locking speed stop
	ETC7091	2	Bolt banjo
	517976	2	Washer joint
18	RTC5891	1	Spring-throttle return

Model DEFENDER 110 1987 onwards  
 Page AFBHKE1A

ENGINE - INJECTORS AND PIPES - 2.5 DIESEL TURBO



III. Part No.	Description	Qty	Remarks
1	ERR1259	1	Note(1)
2	ETC4291	1	Pipe-injector No.1
3	ETC4292	1	Pipe-injector No.2
4	ETC4293	1	Pipe-injector No.3
5	ETC4294	1	Pipe-injector No.4
6	ERR1266	4	Injector
	564332E	4	Injector exchange
	247726	4	Nozzle
7	NH108041L	8	Nut
8	WL108001L	8	Washer spring
9	12H220L	4	Washer
10	247179	4	Washer joint
11	ETC4156	2	Clip-injector pipes
12	ETC4308	1	Clip-injector pipes
13	273069	8	Washer joint
14	273521	4	Banjo-injectors
15	517976	4	Washer joint-banjos

Note(1) ERR1259 screws directly into the pump-olive and male nut.



DEFENDER 110 1987 onwards

151

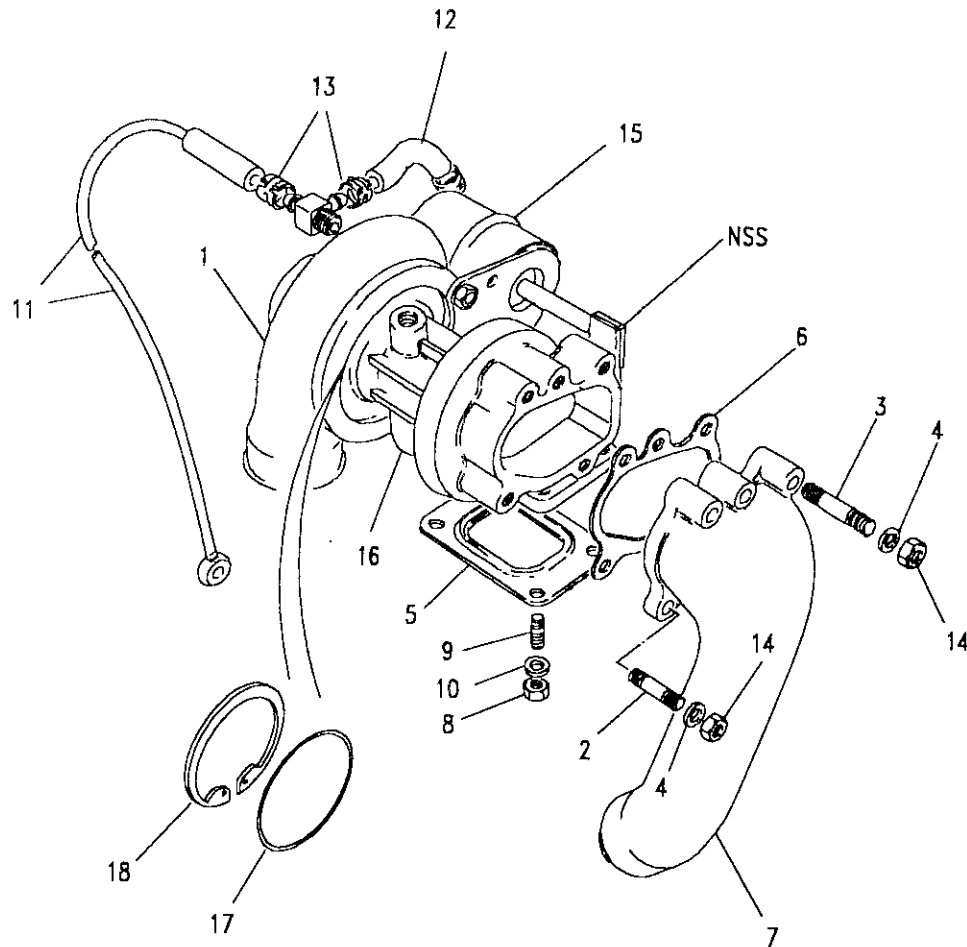
ENGINE

Model DEFENDER 110 1987 onwards  
Page AFBHLA1B

ENGINE - TURBO CHARGER - 2.5 DIESEL TURBO

III. Part No.	Description	Qty	Remarks
1	STC99N	1	Turbo charger
	STC99E	1	Turbo Charger - exchange
2	RTC6094	1	Stud-M8x32
3	RTC6093	1	Stud-M8x48
	ERR1125	4	Bolt banjo-turbo/charger
	FRC4808	1	Washer joint
4	WA108051L	2	Washer-stud
5	ETC5710	5	Gasket-turbo to exhaust
6	ETC5898	1	Gasket
7	ETC7058	1	Elbow-exhaust outlet
8	ETC7184	1	Nut
9	ETC7667	4	Nut
10	WA108051L	4	Washer
	ETC7186	4	Lockplate-fix/exh-man
11	ETC7331	2	Pipe assembly
	ERR1260	1	Pipe assembly
12	RTC5099	1	Hose-comp/to actuator
13	UKC3803L	1	Hose band
14	NH108041L	3	Nut-turbo exhaust outlet
15	RTC6543	4	Actuator assembly
16	RTC6540	1	Housing centre
17	RTC6541	1	O ring
18	RTC6542	1	Snap ring

Upto 19J35152C  
From 19J35153C

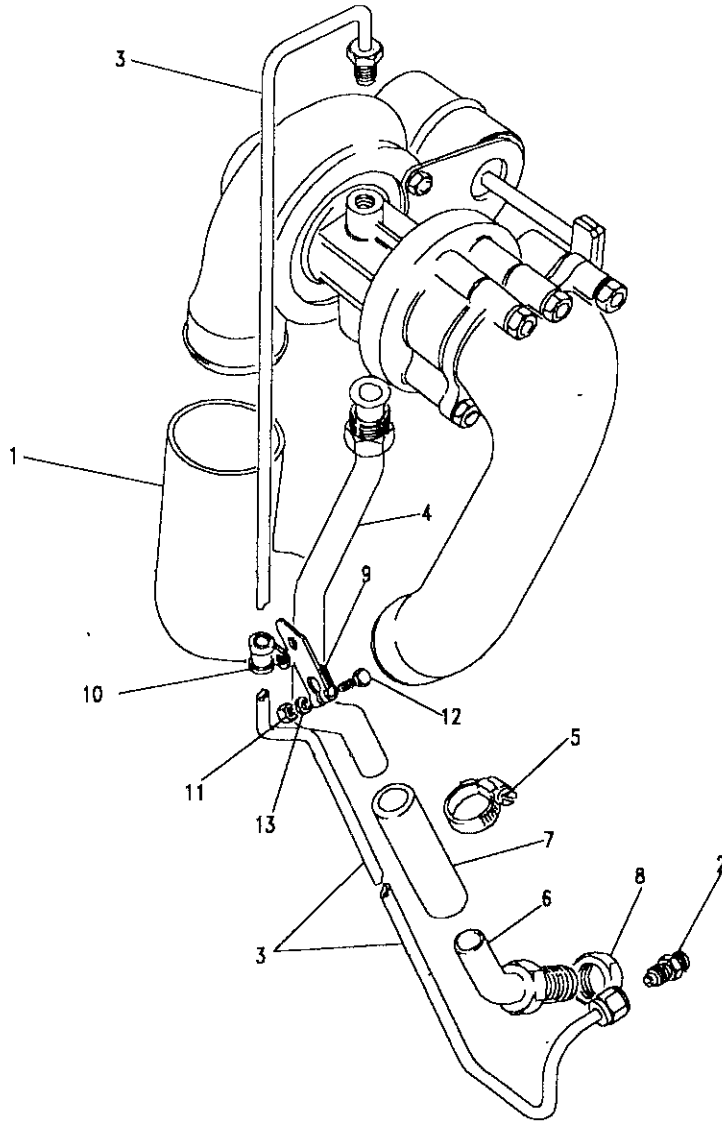






Model DEFENDER 110 1987 onwards  
Page AFBHLA2A

ENGINE - TURBO CHARGER - 2.5 DIESEL TURBO



Ill. Part No.	Description	Qty	Remarks
1	ETC5752 Hose	1	
2	ETC5755 Adaptor	1	
	ETC8820 Adaptor	1	From19J29574C
3	ETC7207 Pipe oil feed	1	
	ERR3495 Pipe oil inlet	1	
4	ETC7654 Pipe oil drain	1	
	ERR3494 Pipe oil drain	1	
5	CN100258L Clip hose	2	
6	ETC6640 Adaptor	1	
	ERR335 Adaptor	1	)From19J29574CC
	ERR896 Washer	1	
	CP110161 P Clip	1	
7	ETC6663 Hose-oil drain	1	
	UKC3796L Clamp hose	1	
8	ETC6669 Lock nut	1	
9	ETC8666 Bracket-oil feed pipe	1	
	ETC7351 Bracket-oil feed pipe	1	From19J29574C
10	ETC7558 Clip cable	1	
	ETC8843 Clip cable	1	From19J29574C
11	NH105041L Nut	1	
12	SH105251L Screw	1	
13	WA105001L Washer	1	

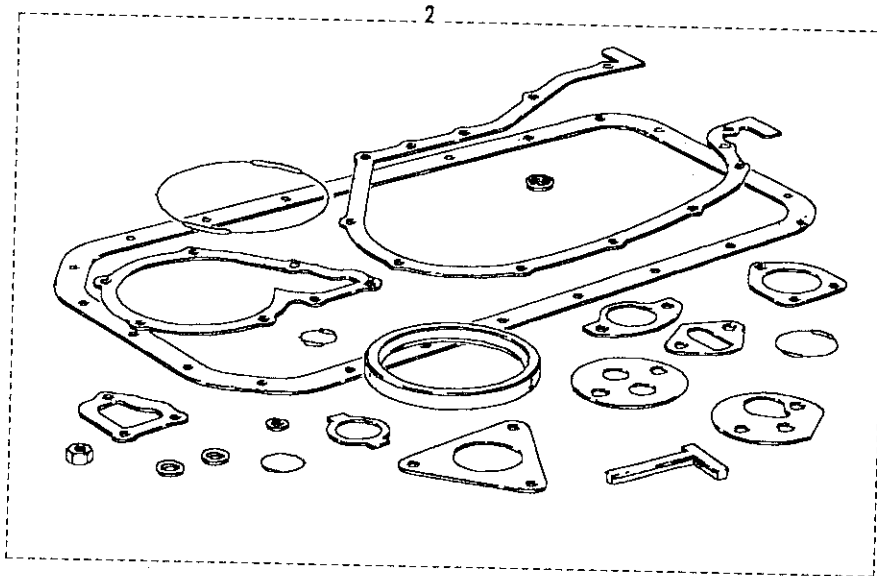
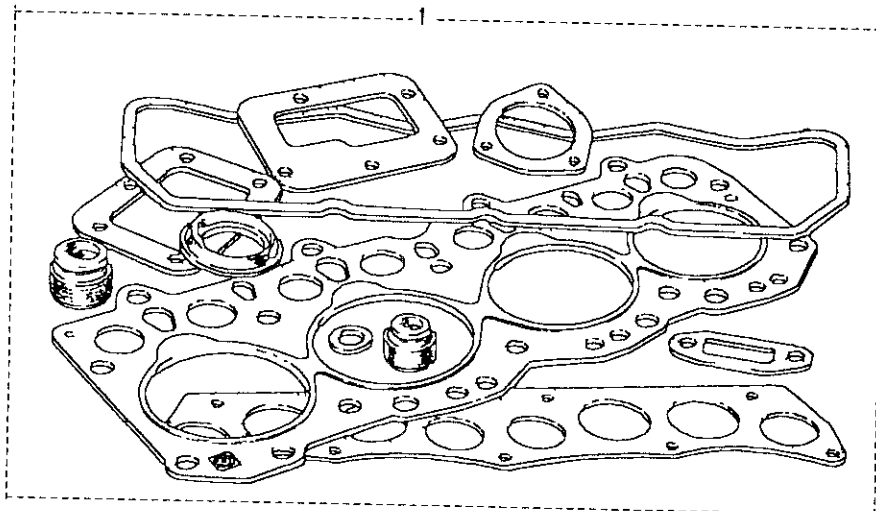




DEFENDER 110 1987 onwards

153

ENGINE



Model DEFENDER 110 1987 onwards  
Page AFBHMA1A

**ENGINE - GASKET KIT - 2.5 DIESEL TURBO**

III. Part No.	Description	Qty	Remarks
1 RTC5774	Kit gasket decarbonising	1	
2 RTC5775	Kit gasket overhaul	1	
STC1558	Kit gasket overhaul	1	Asbestos free

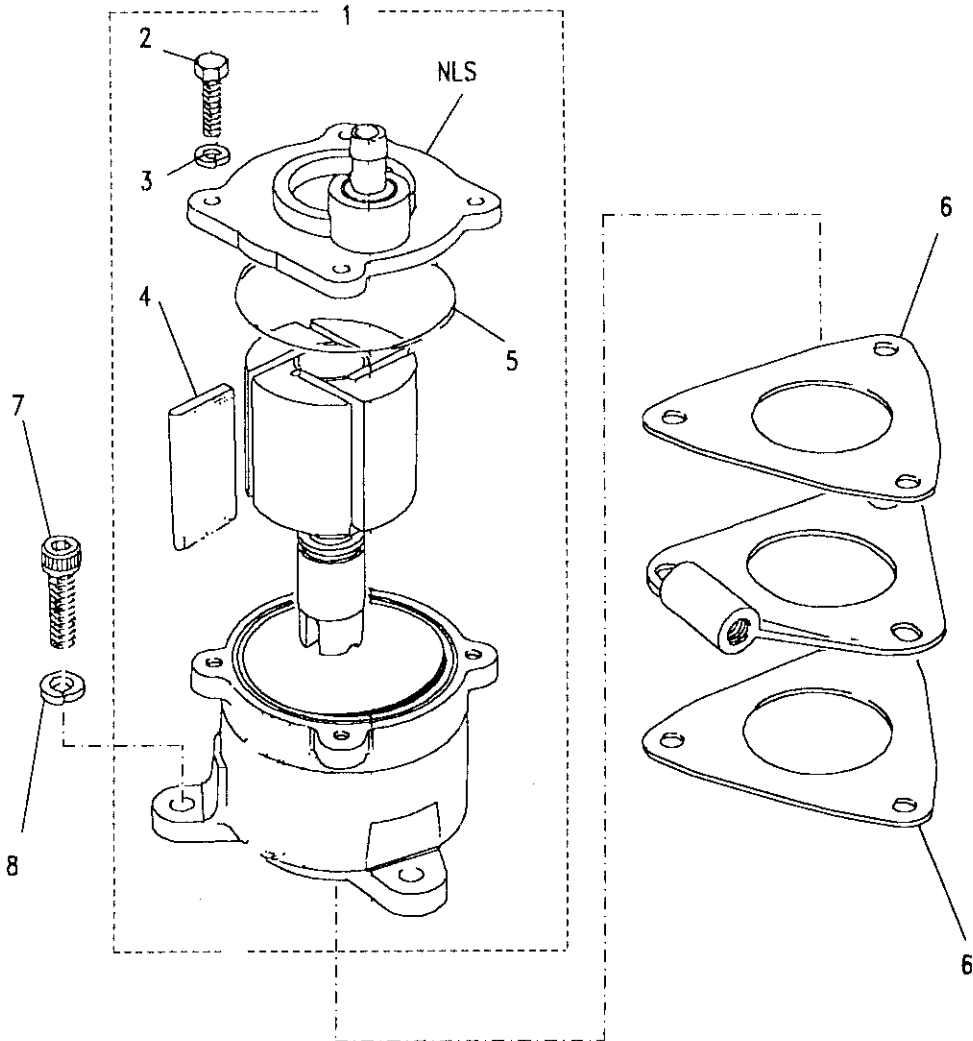




Model DEFENDER 110 1987 onwards  
Page AFBHNA1A

ENGINE - VACUUM PUMP - 2.5 DIESEL TURBO

III. Part No.	Description	Qty	Remarks
1	ERR535	1	Pump vaccum assembly
2	AEU2720	4	Bolt
3	WL106001L	4	Washer-spring-end/plate/
4	AEU2718	4	Blades rotor
5	AEU2719	1	O ring-end plate to body
6	ETC4616	2	Gasket
7	SS108301L	3	Bolt
8	WM600051L	3	Washer

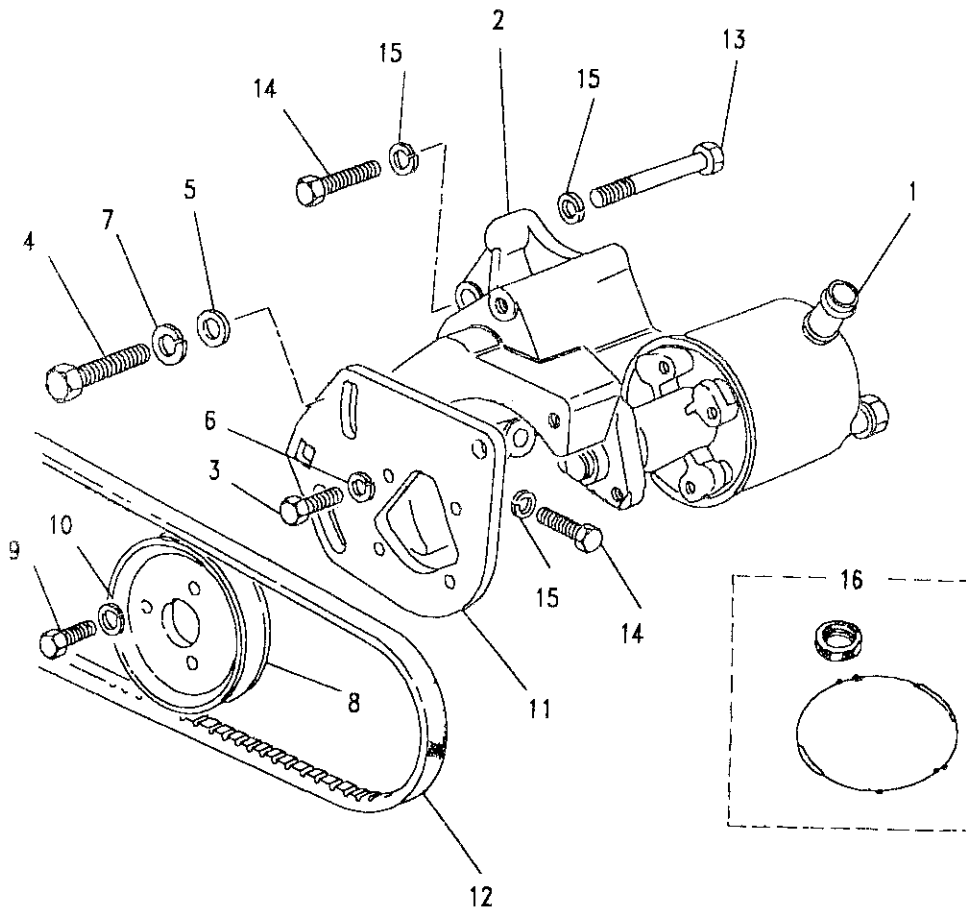




Model DEFENDER 110 1987 onwards  
Page AFBHNC1A

## ENGINE - POWER STEERING PUMP - 2.5 DIESEL TURBO

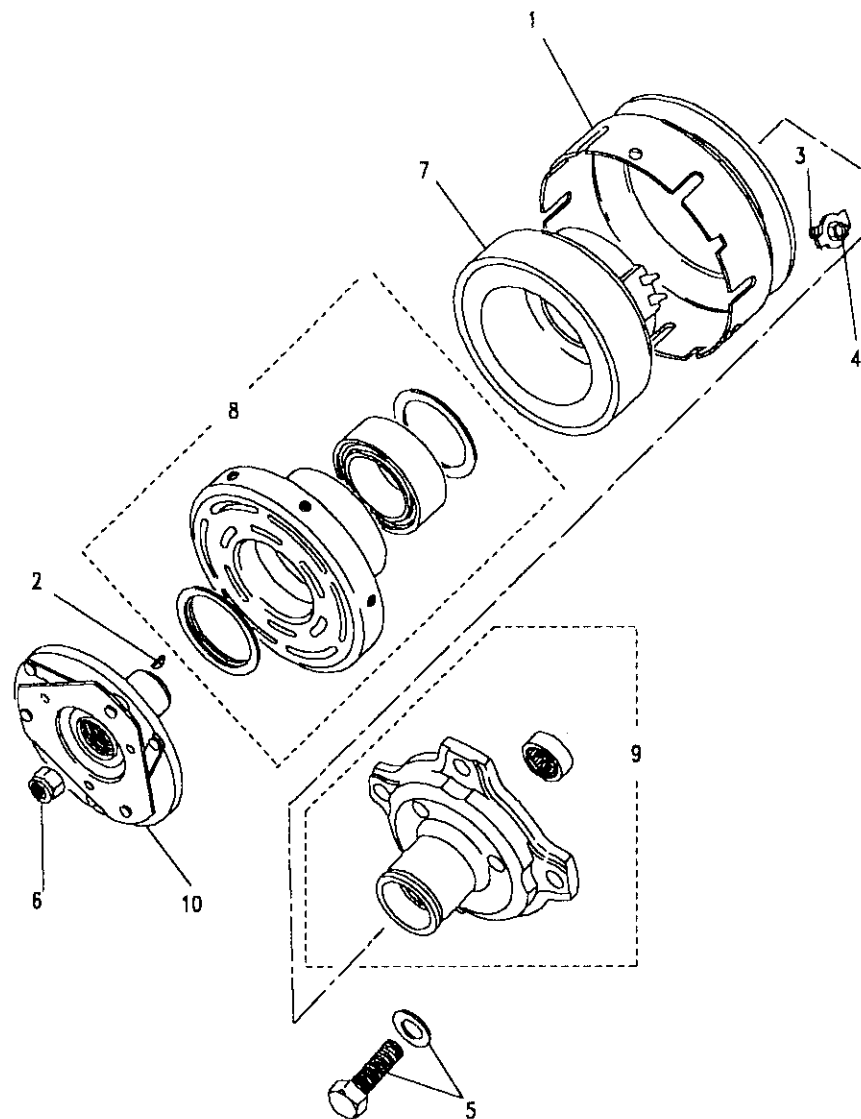
III. Part No.	Description	Qty	Remarks
1 ETC9077	Pump power steering	1	)Upto19J27245C
RTC5674	Banjo	1	)
RTC5675	Washer seating	1	)
1 NTC8287	Pump power steering	1	)From )19J27246c
1 NTC9070	Pump power steering	1	)Upto JULY 92
2 ERC6974	Bracket	1	From JULY1992
ETC8854	Bracket	1	Upto19J27245C
3 FS106201L	Screw-pump to bracket	4	From19J27246C
4 SH108251L	Screw-pump to bracket	3	
5 WA108051L	Washer-pump to bracket	2	
6 WL106001L	Washer spring	4	
7 WL108001L	Washer spring	3	
8 ETC5783	Pulley	1	
9 SH108141L	Screw-pulley to pump	3	
10 WL108001L	Washer spring	3	
11 ERR1976	Plate mounting	1	Upto JULY 1992
ERR2605	Plate mounting	1	From JULY 1992
12 ETC5815	Belt-power steering pump	1	
13 BH108181L	Bolt	1	
14 SH108251L	Screw	2	
SH108301L	Screw	1	
15 WL108001L	Washer spring	4	
16 RTC5935	Kit seal (ETC9077)	1	
STC1633	Kit seal (NTC9070)	1	



Model DEFENDER 110 1987 onwards  
 Page AFBHNE1A

**ENGINE - AIRCON COMPRESSOR - 2.5 DIESEL - TURBO**

III. Part No.	Description	Qty	Remarks
ERC6480	Compressor assembly	1	
1 AEU1782	Pulley	1	
2 AEU1694	Key-clutch hub	1	
3 AEU1780	Screw-rim mounting	6	
4 AEU1779	Washer-rim mounting	6	
5 AEU1784	Screw	4	
6 AEU1775	Nut-shaft	1	
7 AEU1778	Coil	1	
8 AEU1777	Rotor	1	
9 AEU1785	Bearing assembly	1	
10 AEU1776	Clutch assembly	1	

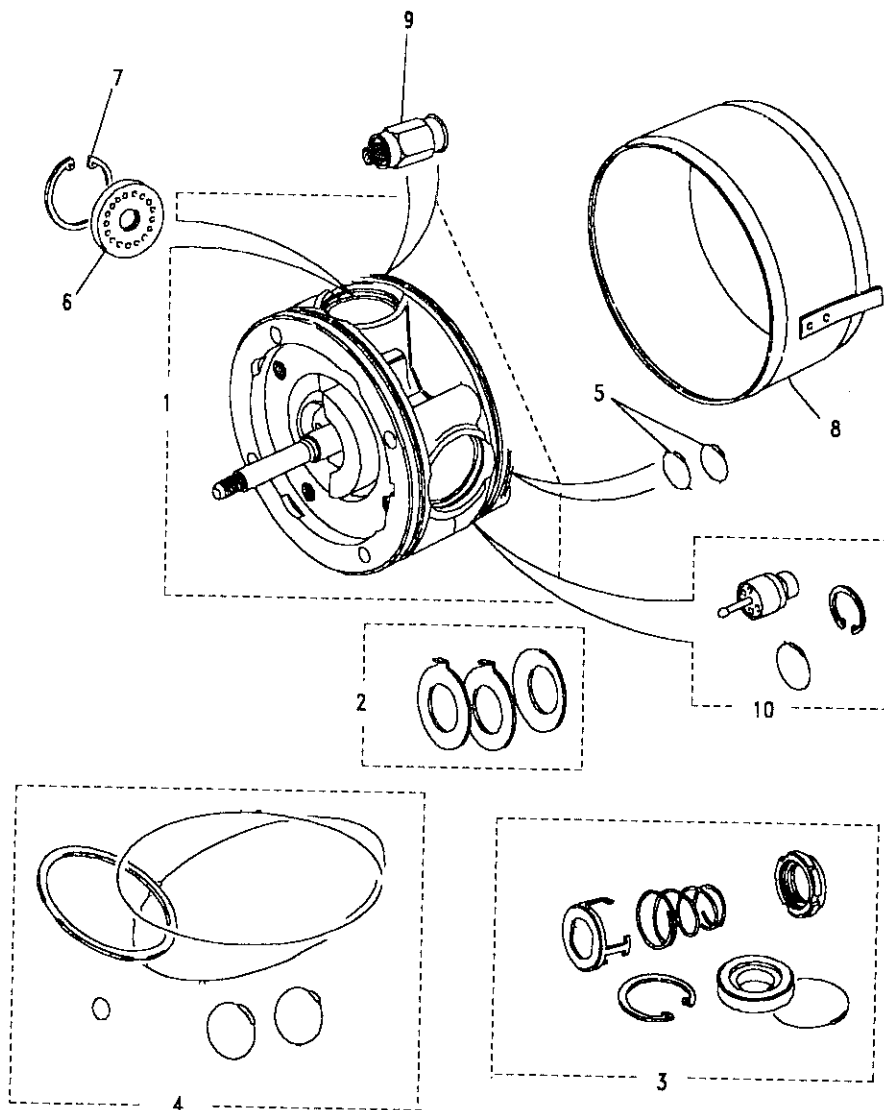




Model DEFENDER 110 1987 onwards  
Page AFBHNE2A

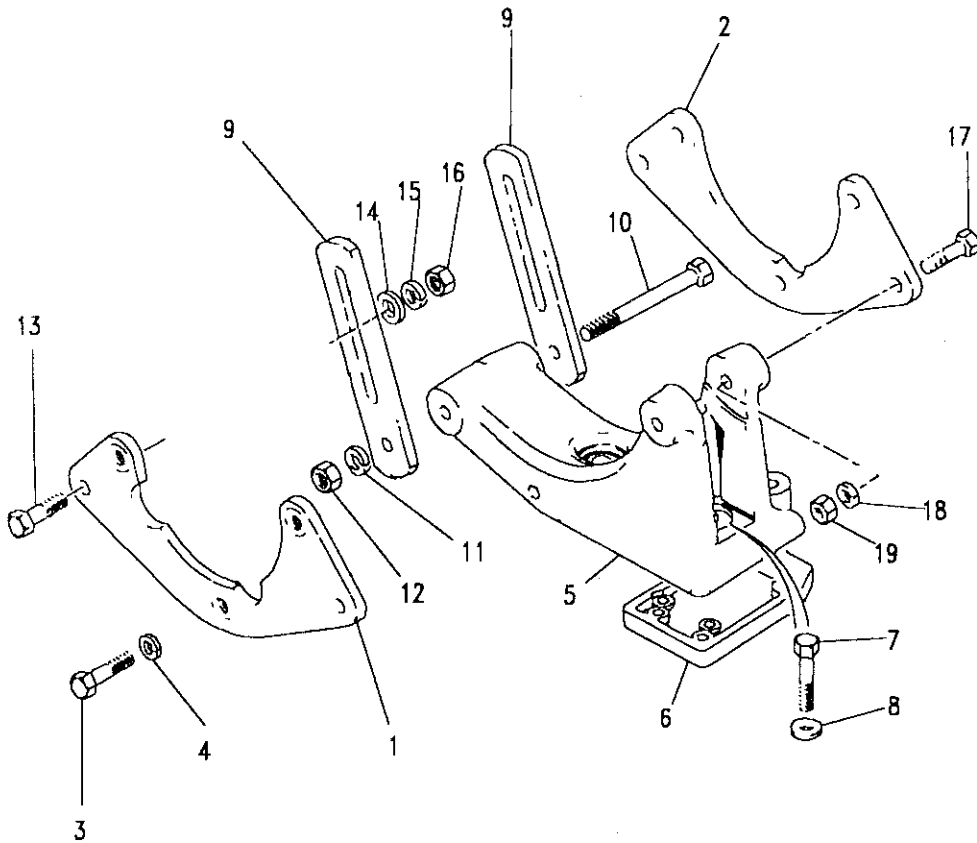
ENGINE - AIRCON COMPRESSOR - 2.5 DIESEL TURBO

III. Part No.	Description	Qty	Remarks
ERC6480	Compressor assembly	1	
1 AEU1792	Kit-cylinder/shaft assy	1	
2 AEU1791	Kit-thrust washers	1	
3 AEU1790	Kit-shaft seal	1	
4 AEU1192	Kit-'O'rings	1	
5 AEU1690	'O'rings	2	
6 AEU1788	Valve plate assembly	4	
7 AEU1787	Ring retaining	4	
8 AEU1786	Shell assembly	1	
9 AEU1689	Valve pressure	1	
10 AEU1688	Kit-superheat switch	1	
ETC4371	Belt-driving	1	
AEU1691	Oil-525 Vis/2pt-(1136ml)	A/R	



Model DEFENDER 110 1987 onwards  
 Page AFBHNE3A

ENGINE - COMPRESSOR FIXINGS - 2.5 DIESEL TURBO



III. Part No.	Description	Qty	Remarks
1	ERC7082	1	Plate mounting-front
2	ERC5152	1	Plate mounting-rear
3	BH110201L	3	Bolt-compressor to plate
4	WL110001L	3	Washer spring
5	ETC4882	1	Bracket
6	ETC4197	1	Plate adaptor-bracket
7	BH110101L	4	Bolt-bracket to cover
8	WA110061L	4	Washer
9	ERC5155	2	Link adjuster
10	BH108181L	1	Bolt-link to bracket
11	WL108001L	1	Washer spring
12	NH108041L	1	Nut
13	SH108251L	2	Screw-link to plate
14	WA108051L	2	Washer
15	WL108001L	2	Washer spring
16	NH108041L	2	Nut
17	FB108081L	2	Bolt-bracket to plate
18	WL108001L	2	Washer spring
19	NH108041L	2	Nut



DEFENDER 110 1987 onwards

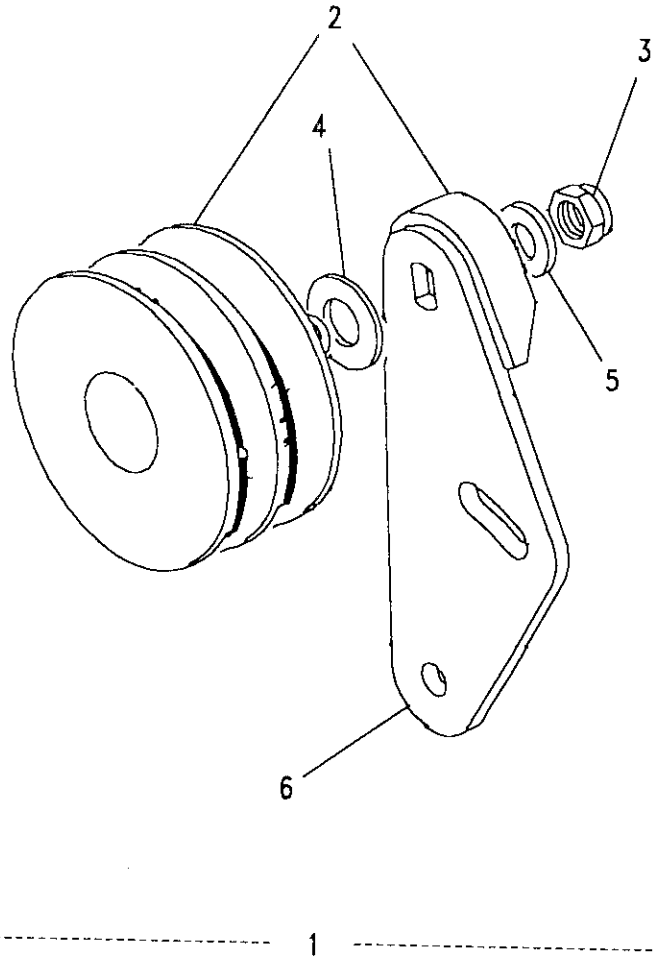
159

ENGINE

Model DEFENDER 110 1987 onwards  
Page AFBHNE4A

ENGINE - AIRCON IDLER PULLEY - 2.5 DIESEL TURBO

III. Part No.	Description	Qty	Remarks
1 ETC7756	Pulley damper assembly	1	
2 554971	Pulley	1	
3 RTC6077	Nut	1	
4 4095	Washer plain	1	
5 WB108051L	Washer plain	1	
6 ETC4212	Plate mounting	1	



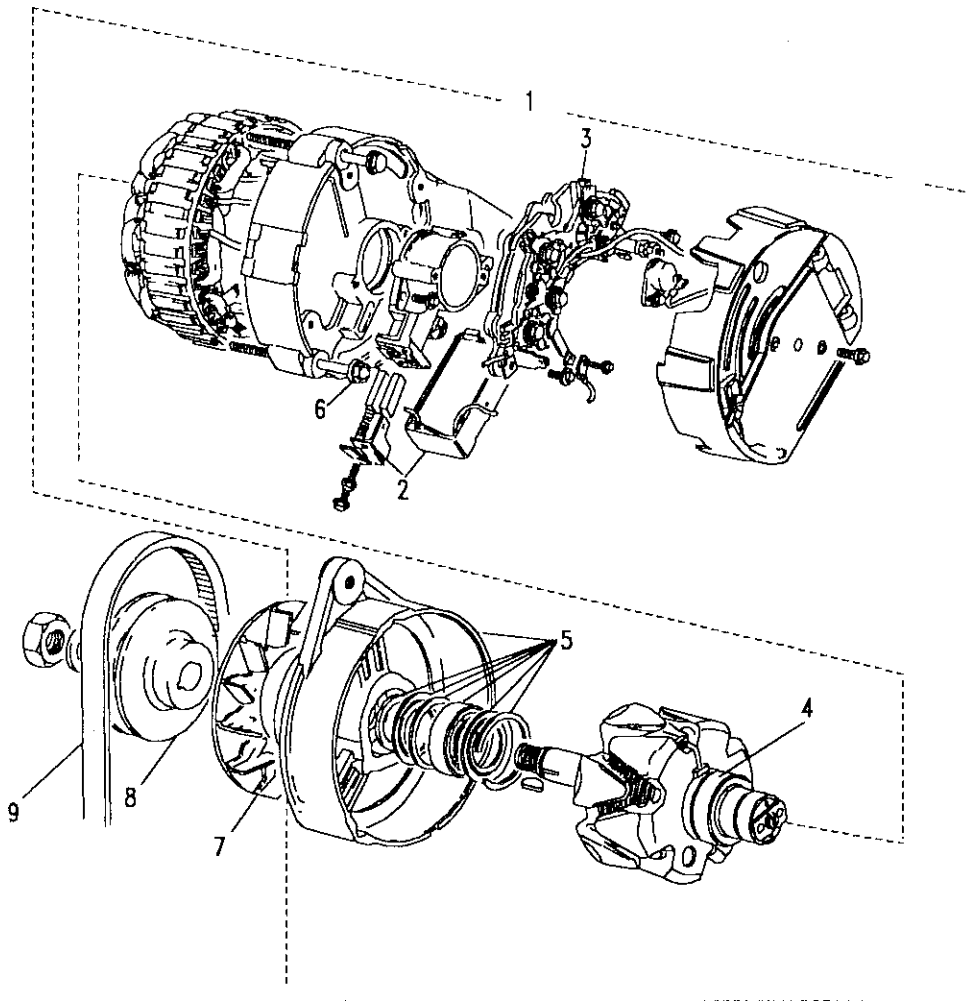


Model DEFENDER 110 1987 onwards  
 Page AFBHPC1A

**ENGINE - ALTERNATOR - 2.5 DIESEL TURBO**

III. Part No.	Description	Qty	Remarks
1	RTC5682N	1	Note(1)
	RTC5682E	1	
2	RTC5670	1	
3	RTC5684	1	
4	RTC5926	1	
5	RTC5687	1	
6	RTC5925	1	
7	RTC5685	1	
8	RTC5686	1	
9	ETC7939	1	
	RTC5689	1	

Note(1) LUCAS number 24199



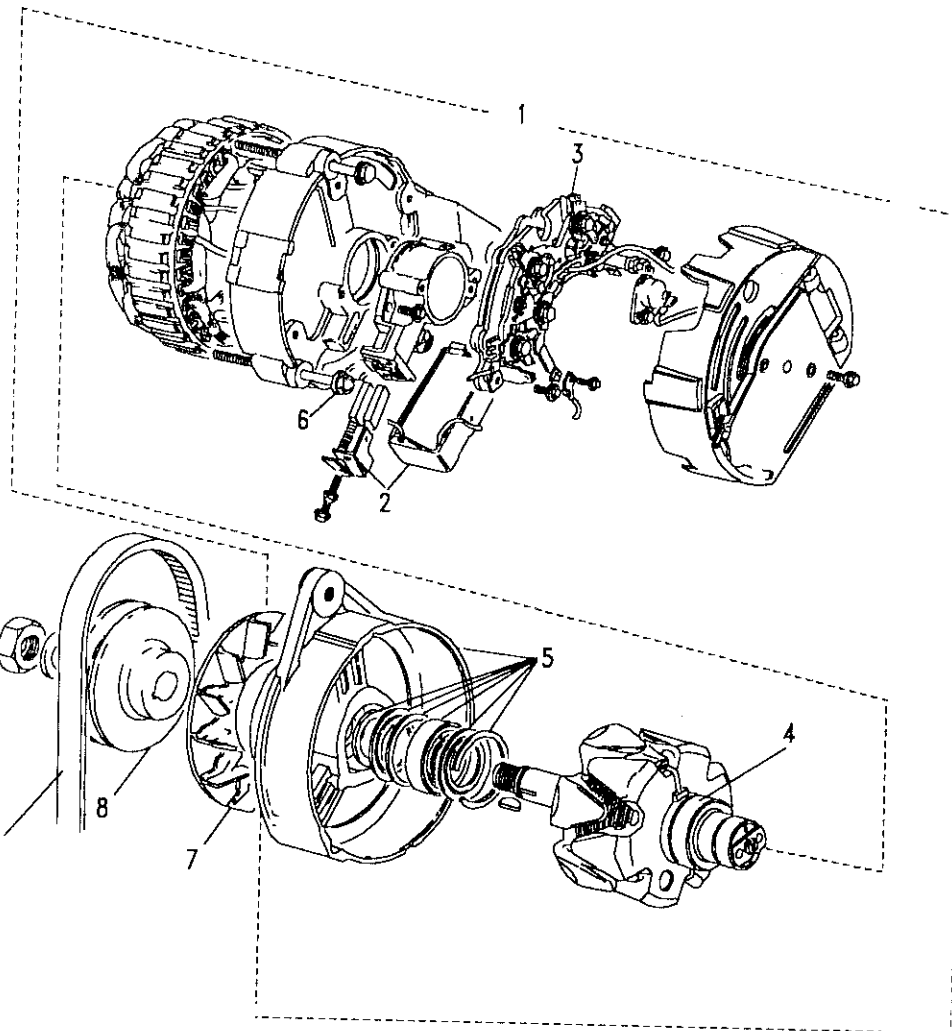


Model DEFENDER 110 1987 onwards  
Page AFBHPC2A

ENGINE - ALTERNATOR - 2.5 DIESEL TURBO - AIR CON

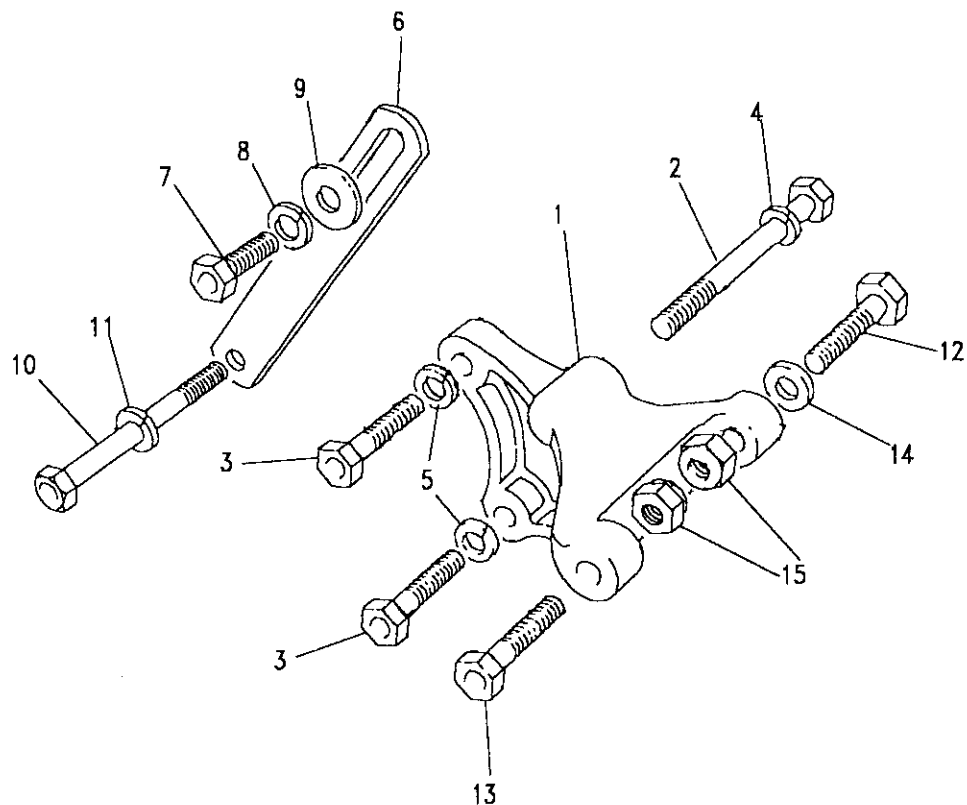
III. Part No.	Description	Qty	Remarks
1	RTC5680N	1	Note(1)
	RTC5680E	1	
2	RTC5670	1	
3	RTC5671	1	
4	RTC5926	1	
5	RTC5687	1	
6	RTC5925	1	
7	AAU2249L	1	
8	RTC5686	1	
9	ETC7939	1	
	RTC5689	1	

Note(1) LUCAS number 24220



**Model** DEFENDER 110 1987 onwards  
**Page** AFBHPC3A

**ENGINE - FIXINGS ALTERNATOR - 2.5 DIESEL TURBO**



III. Part No.	Description	Qty	Remarks
1	ETC4357	1	Bracket-mounting
2	BH108161L	1	Bolt-bracket to block
3	SH110301L	2	Bolt-bracket to block
4	WL108001L	1	Washer spring
5	WL108001L	2	Washer spring
6	ERC6266	1	Link-adjusting
7	FS108207L	1	Screw-link to alternator
8	WL108001L	1	Washer spring
9	2266L	1	Washer
10	ERC8964	1	Bolt-link to block
11	WL108001L	1	Washer spring
12	FB108081L	1	Bolt-bracket to block
13	BH108091L	1	Bolt-bracket to block
	ERC7974	1	Spacer
14	WC108051L	1	Washer
15	NY108041L	2	Nut nyloc



DEFENDER 110 1987 onwards

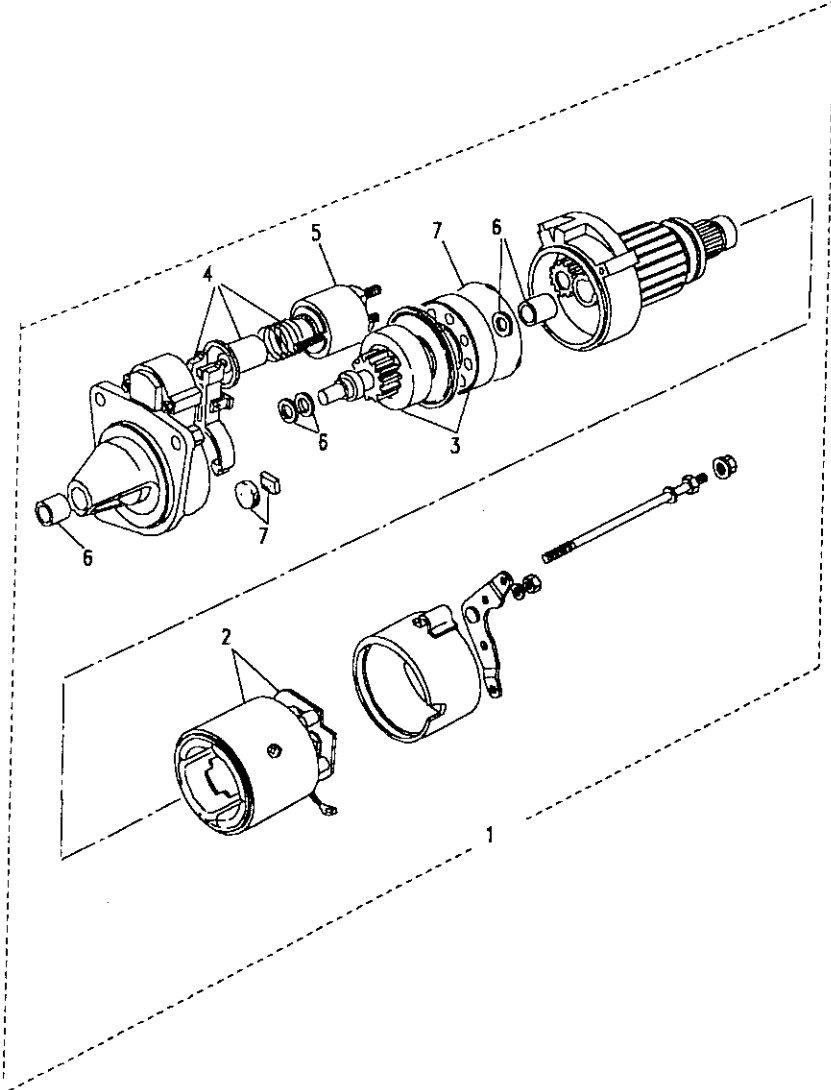
163

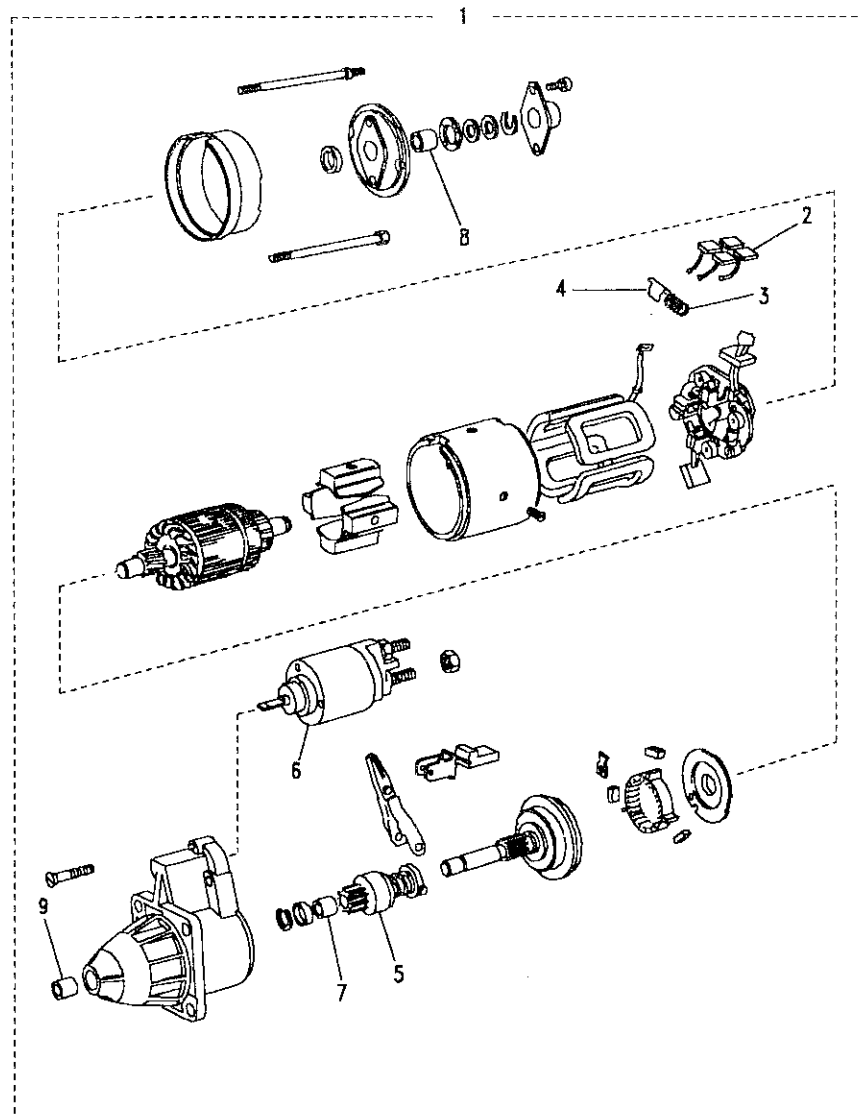
ENGINE

Model DEFENDER 110 1987 onwards  
Page AFBHPE1A

ENGINE - STARTER MOTOR - 2.5 DIESEL TURBO

III. Part No.	Description	Qty	Remarks
<b>Used up to JAN 1993</b>			
1	PRC5109N	1	Starter motor
	PRC5109E	1	Starter motor exchange
2	RTC4981	1	Inductor
3	RTC4982	1	Pinion drive assembly
4	RTC4979	1	Lever shift assembly
5	RTC4978	1	Solenoid
6	RTC4980	1	Kit repair
7	RTC4983	1	Kit gasket
	PRC5538	1	Earth cable
	SH110301L	1	Screw-starter to flywheel
	NH110041L	2	Nut-starter to flywheel
	WL110001L	3	Washer spring
	BH110091L	4	Bolt-starter to flywheel





Model DEFENDER 110 1987 onwards

Page AFBHPE2A

ENGINE - STARTER MOTOR - 2.5 DIESEL TURBO

III. Part No.	Description	Qty	Remarks
---------------	-------------	-----	---------

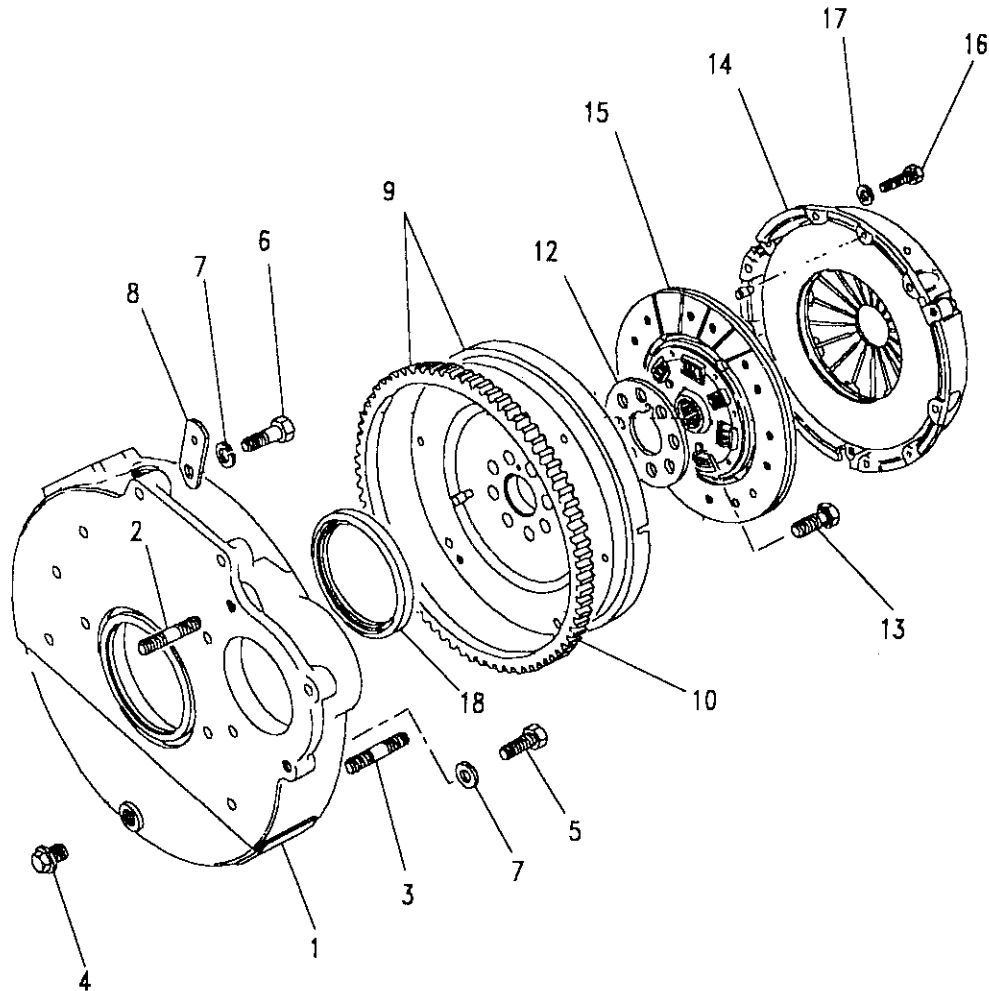
Used from JAN 1993

1	ERR5009	1	Starter motor
2	STC1246	1	Brush set
3	STC1254	4	Spring compression
4	STC1247	4	Guide brush
5	STC1244	1	Drive assembly
6	STC1245	1	Solenoid
7	STC1250	2	Bush
8	STC1251	1	Bush
9	STC1255	1	Bush



Model DEFENDER 110 1987 onwards  
Page AFBHRA1A

## ENGINE - FLYWHEEL &amp; CLUTCH - 2.5 DIESEL TURBO

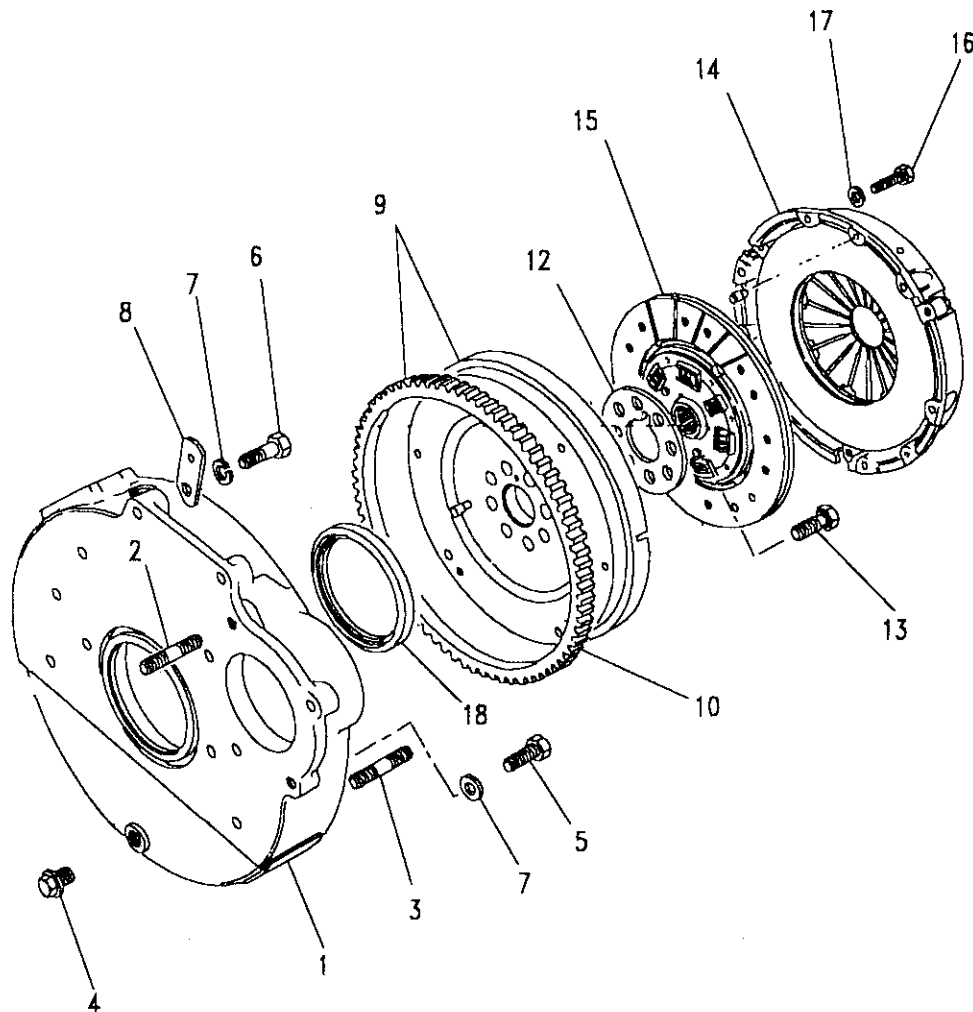


III. Part No.	Description	Qty	Remarks
1	ETC7336	1	Housing flywheel assembly
2	TE110061L	11	Stud-bell housing
3	ERC9240	1	Stud-starter motor
4	ERC7295	1	Plug
5	SH110301L	6	Screw-housing to block
6	BH110091L	2	Bolt-housing to block
7	WA110061L	8	Washer-housing to block
8	ERC9404	2	Bracket-harness clip
9	ETC5780	1	Flywheel assembly
10	568431	1	Starter ring
11	502116	3	Dowel



**Model** DEFENDER 110 1987 onwards  
**Page** AFBHRA1A

**ENGINE - FLYWHEEL & CLUTCH - 2.5 DIESEL TURBO**



III. Part No.	Description	Qty	Remarks
12 ERC4658	Plate reinforcement	1	Note(1)
13 ERC6551	Bolt-flywheel to crank	8	Note(1)
ERR4574	Bolt flywheel	8	From Dec 93
14 FTC575	Cover clutch	1	
15 FTC2149	Plate clutch	1	
STC8358	Kit clutch	1	
FTC575	Cover	1	
FTC2149	Plate	1	
FRC9568	Bearing	1	
16 SX108201L	Screw	6	
17 WL108001L	Washer spring	6	
18 ERR2532	Seal oil	1	

Note(1) Only fitted up to Dec 93. The reinforcing plate was found to serve no useful purpose. If replacing use shorter screws ERR4574



## MASTER INDEX

	PAGES	GROUP B
INTRODUCTION PAGES	1 - 7	ENGINE
ALPHABETICAL INDEX	8 - 16	
ENGINE	17 - 66	ENGINE
ENGINE	67 - 119	ENGINE COMPLETE - 200 TDI 168
ENGINE	120 - 166	ENGINE STRIPPED - 200 TDI 169
ENGINE	167 - 209	ENGINE SHORT - 200 TDI 170
ENGINE	210 - 245	CYLINDER BLOCK - 200 TDI 171
ENGINE	246 - 299	JET ADAPTORS - 200 TDI 172
GEARBOX	300 - 326	SIDE COVER - 200 TDI 173
GEARBOX	327 - 344	CRANKSHAFT - 200 TDI 174
GEARBOX	345 - 359	PISTONS AND RINGS - 200 TDI 175
TRANSFER BOX	360 - 378	SUMP/LADDER FRAME - 200 TDI 176
TRANSFER BOX	379 - 397	ENGINE MOUNTINGS - 200 TDI 177
AXLES AND SUSPENSION	398 - 444	FRONT COVER - 200 TDI 178
STEERING	445 - 471	TIMING BELT - 200 TDI 179
VEHICLE AND ENGINE CONTROLS	472 - 486	WATER PUMP - 200 TDI 180
BRAKES	487 - 517	OIL PUMP - 200 TDI 181 - 182
FUEL SYSTEM AND AIR CLEANER	518 - 579	OIL FILTER - 200 TDI 183
EXHAUST SYSTEM	580 - 593	CYLINDER HEAD - 200 TDI 184 - 185
COOLING/HEATING	594 - 637	ROCKER SHAFT - 200 TDI 186
COOLING/HEATING	638 - 641	VALVES AND TAPPETS - 200 TDI 187
COOLING/HEATING	642 - 649	ROCKER COVER - 200 TDI 188
COOLING/HEATING	650 - 655	CYCLONE BREATHER ASSEMBLY - 200 TDI 189
COOLING/HEATING	656 - 666	CAMSHAFT - 200 TDI 190
BODY ELECTRICAL	667 - 740	THERMOSTAT HOUSING - 200 TDI 191
BODY AND CHASSIS	741 - 909	MANIFOLDS - 200 TDI 192
INTERIOR TRIM	910 - 955	FUEL PUMP - 200 TDI 193
SEATS	956 - 1036	INJECTION PUMP - 200 TDI 194
STOWAGE	1037 - 1046	INJECTORS AND PIPES - 200 TDI 195
ACCESSORIES - PAINTS	1047 - 1074	TURBO CHARGER - 200 TDI 196 - 197
NUMERICAL INDEX	1076 - 1151	GASKET KITS - 200 TDI 198
		VACUUM PUMP - 200 TDI 199
		POWER STEERING PUMP - 200 TDI 200
		AIRCON COMPRESSOR - 200 TDI 201 - 202
		COMPRESSOR FIXINGS - 200 TDI 203
		AIRCON IDLER PULLEY - 200 TDI 204
		ALTERNATOR - 200 TDI 205
		FIXINGS ALTERNATOR - 200 TDI 206
		STARTER MOTOR - 200 TDI 207 - 208
		FLYWHEEL & CLUTCH - 200 TDI 209







DEFENDER 110 1987 onwards

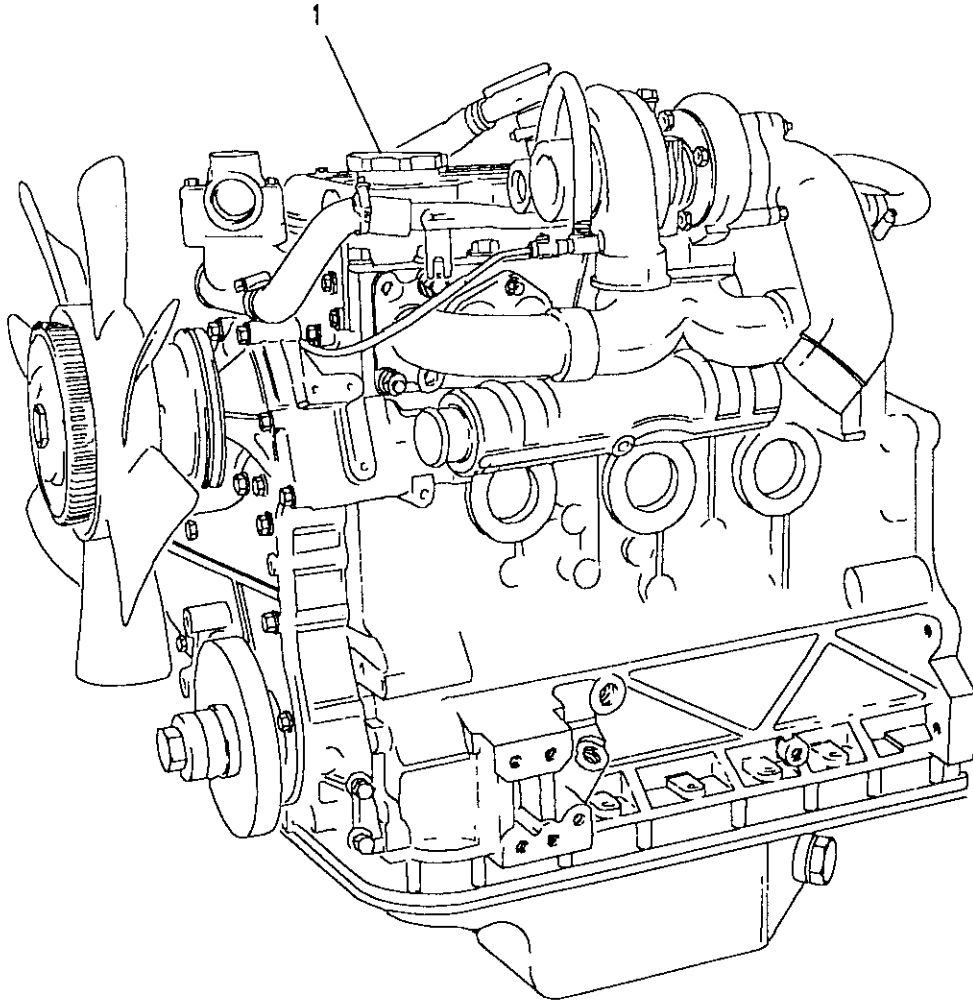
168

ENGINE

**Model** DEFENDER 110 1987 onwards  
**Page** AFBMAA1A

**ENGINE - ENGINE COMPLETE - 200 TDI**

III. Part No.	Description	Qty	Remarks
1 STC308	Engine complete assembly	1	11L00001



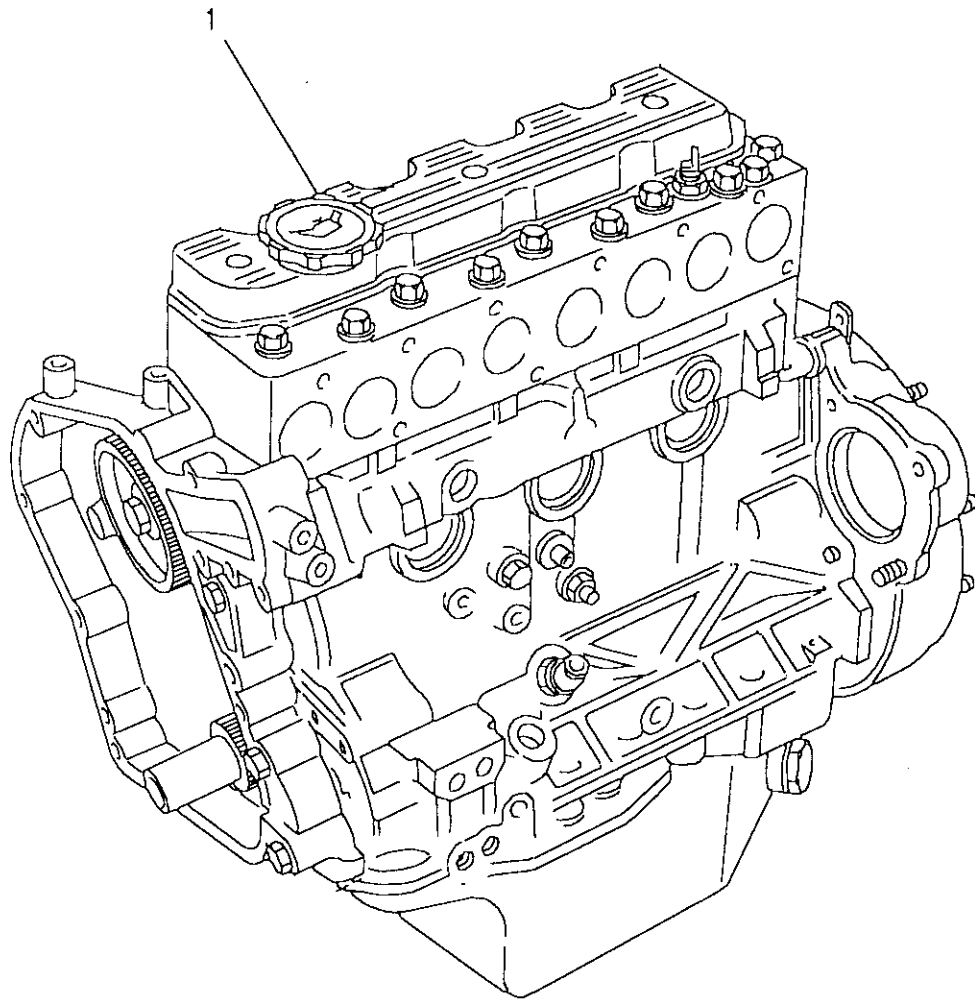


**Model** DEFENDER 110 1987 onwards  
**Page** AFBMAC1A

**ENGINE - ENGINE STRIPPED - 200 TDI**

III. Part No.	Description	Qty	Remarks
1 STC309N	Engine stripped assembly	1	11L00001
STC309R	Engine stripped-RECON	1	

Note(1) Engine less ancillary equipment





DEFENDER 110 1987 onwards

170

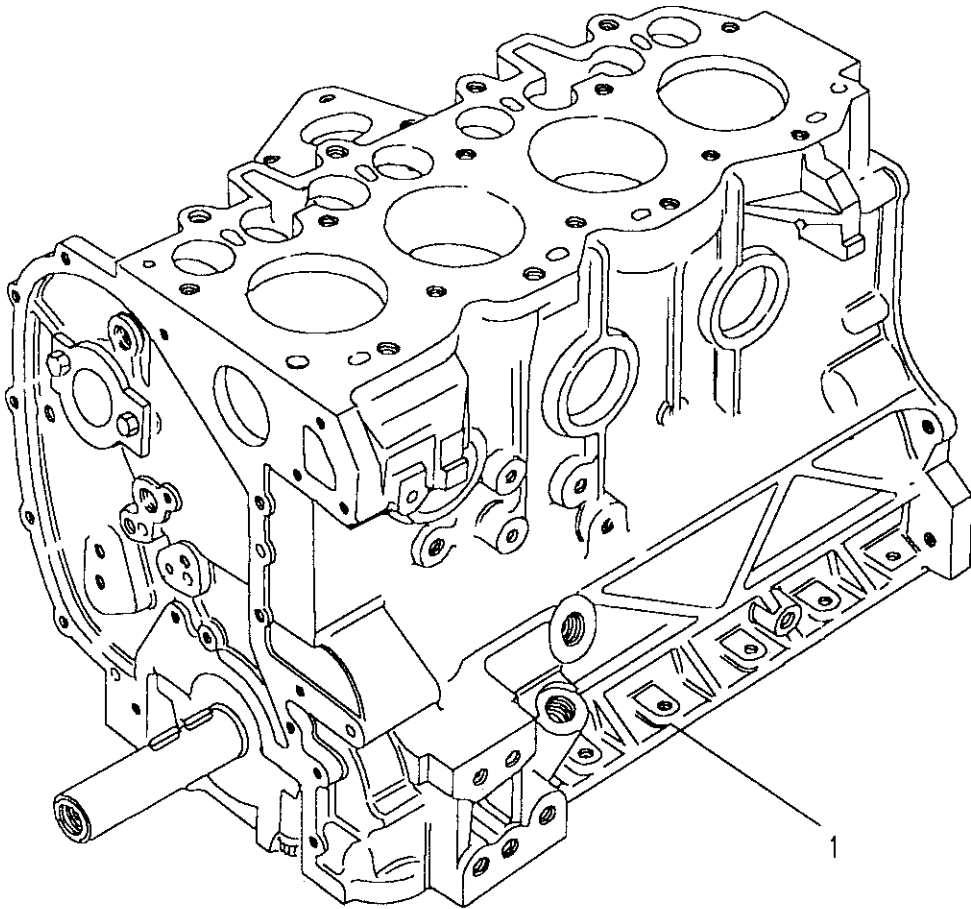
ENGINE

**Model** DEFENDER 110 1987 onwards  
**Page** AFBMAE1A

**ENGINE - ENGINE SHORT - 200 TDI**

III. Part No.	Description	Qty	Remarks
1 RTC6635	Engine short assembly	1	11L0000A

Note(1) Cyl block/Crank/Main bearings/Con rod/Pistons

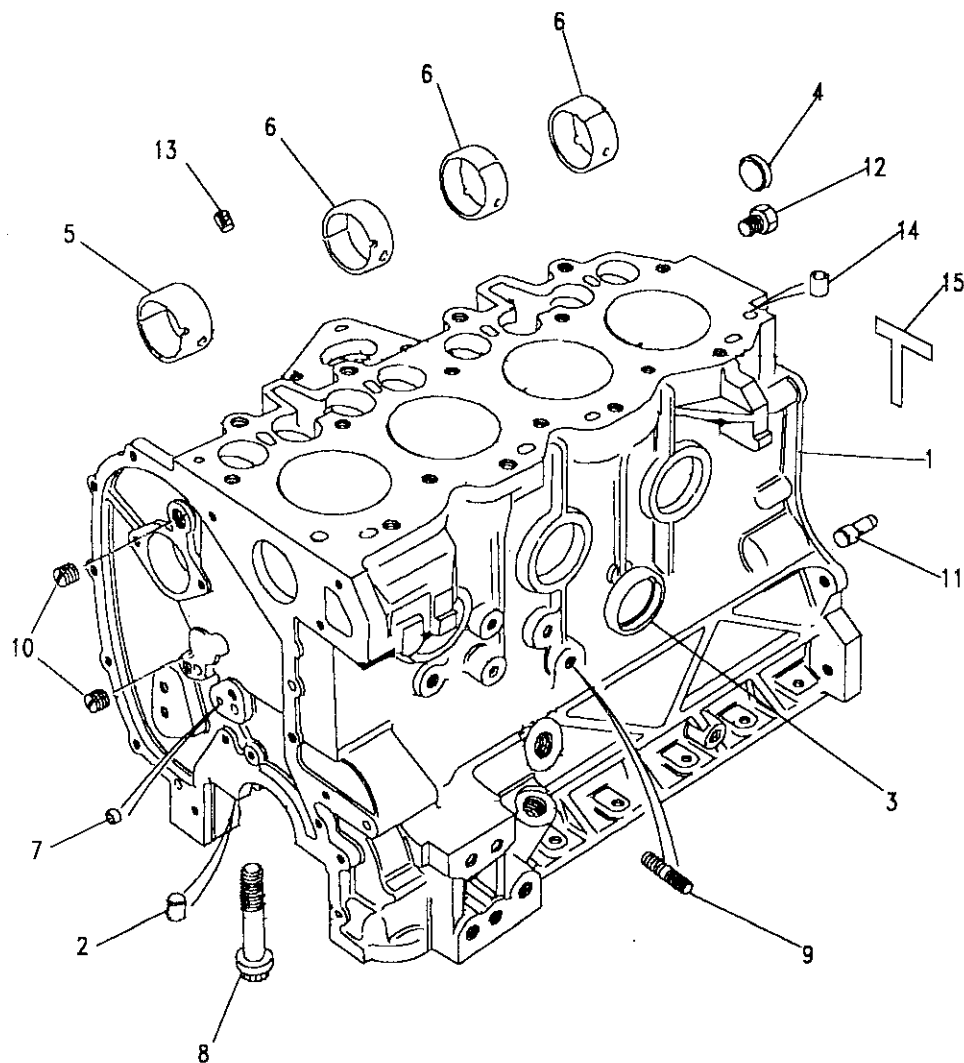


**Model** DEFENDER 110 1987 onwards  
**Page** AFBMBA1A

**ENGINE - CYLINDER BLOCK - 200 TDI**

III. Part No.	Description	Qty	Remarks
1	ERR3	1	Cylinder block assembly
2	501593	10	Dowel-bearing caps
3	ERC4996	6	Cup plug
4	597586	1	Cup plug
5	ETC8442	1	Bearing-cam
6	90519055	3	Bearing-cam
7	ETC4529	1	Plug-cup
8	ETC8074	10	Bolt-main bearing cap
9	TE108031L	1	Stud-starter motor
10	247127	1	Plug-oil gallery
11	ERC4644	2	Dowel flywheel housing
12	ETC4922	1	Plug-gallery pipe
13	ERR5034	3	Plug camshaft oil feed
14	ETC8352	2	Ring-dowel head/block
15	ERR913	2	Packing Strip

Note(1) Part of gasket kit STC363



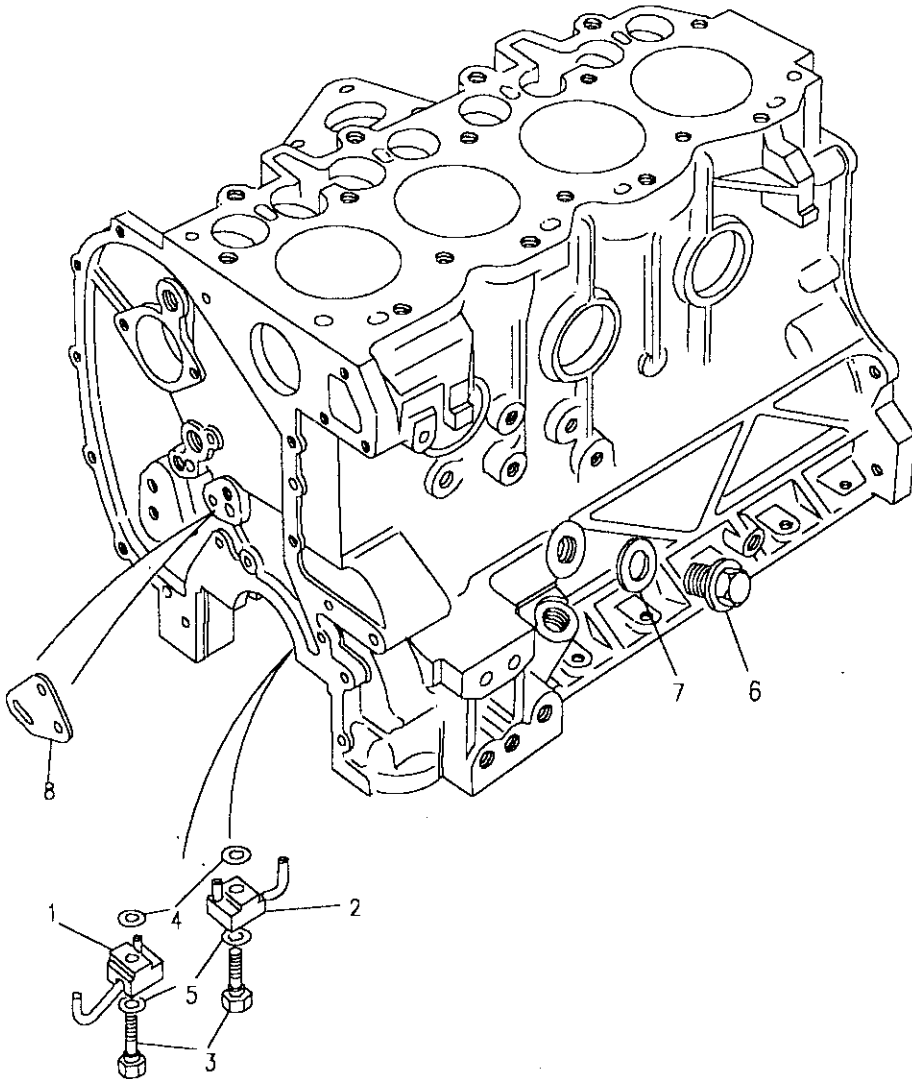


Model DEFENDER 110 1987 onwards  
Page AFBMBA2A

ENGINE - JET ADAPTORS - 200 TDI

III. Part No.	Description	Qty	Remarks
1 ETC6531	Jet assembly No1&No3 cyl	2	
2 ETC6532	Jet assembly No2&No4 cyl	2	
3 ETC5592	Valve relief	4	
4 AFU1879L	Washer joint	4	Note(1)
5 AFU1887L	Washer joint	4	Note(1)
6 ERC9410	Plug drain	1	
7 AFU1882L	Washer joint	1	Note(1)
8 ERC8864	Gasket	1	Note(1)(2)

Note(1) Part of gasket kit STC363  
Note(2) No longer fitted



156692



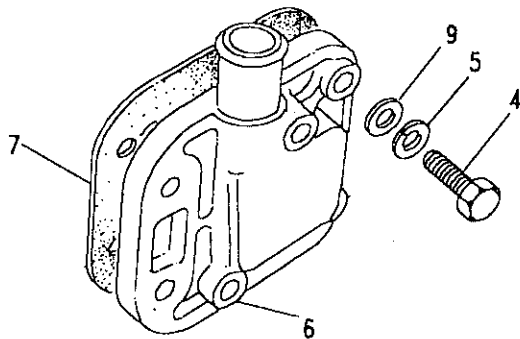
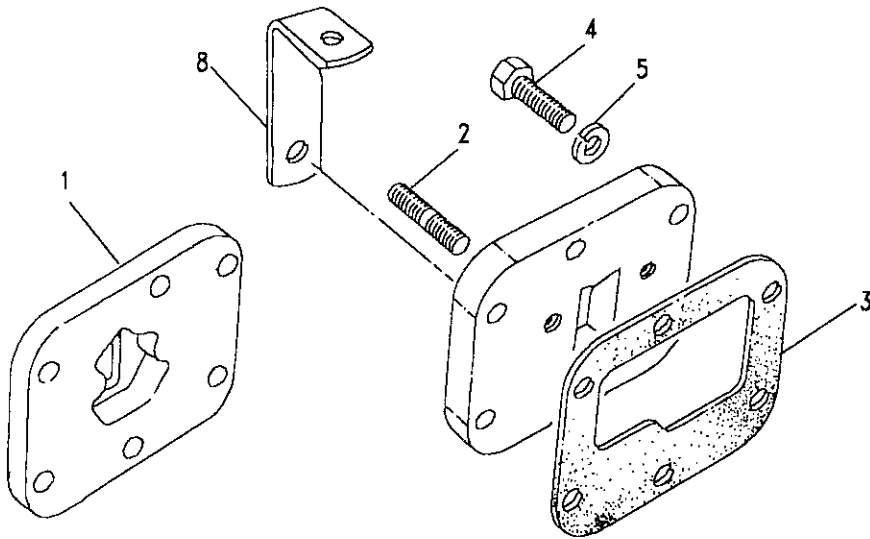


Model DEFENDER 110 1987 onwards  
Page AFBMBC1A

ENGINE - SIDE COVER - 200 TDI

III. Part No.	Description	Qty	Remarks
1	ETC7929 Plate cover	1	
2	TE108041L Stud	2	
3	ERR1475 Washer joint	1	Note(1)
4	FS108251L Screw	9	
5	WL108001L Washer spring	12	
6	ERR506 Cover side	1	
7	247555 Gasket side cover engine	1	
	ERR3605 Gasket side cover engine	1	Asbestos free
8	ERC9480 Bracket-harness clip	1	
9	WA108051L Washer plain	3	

Note(1) Part of gasket kit STC363



756829



Model DEFENDER 110 1987 onwards

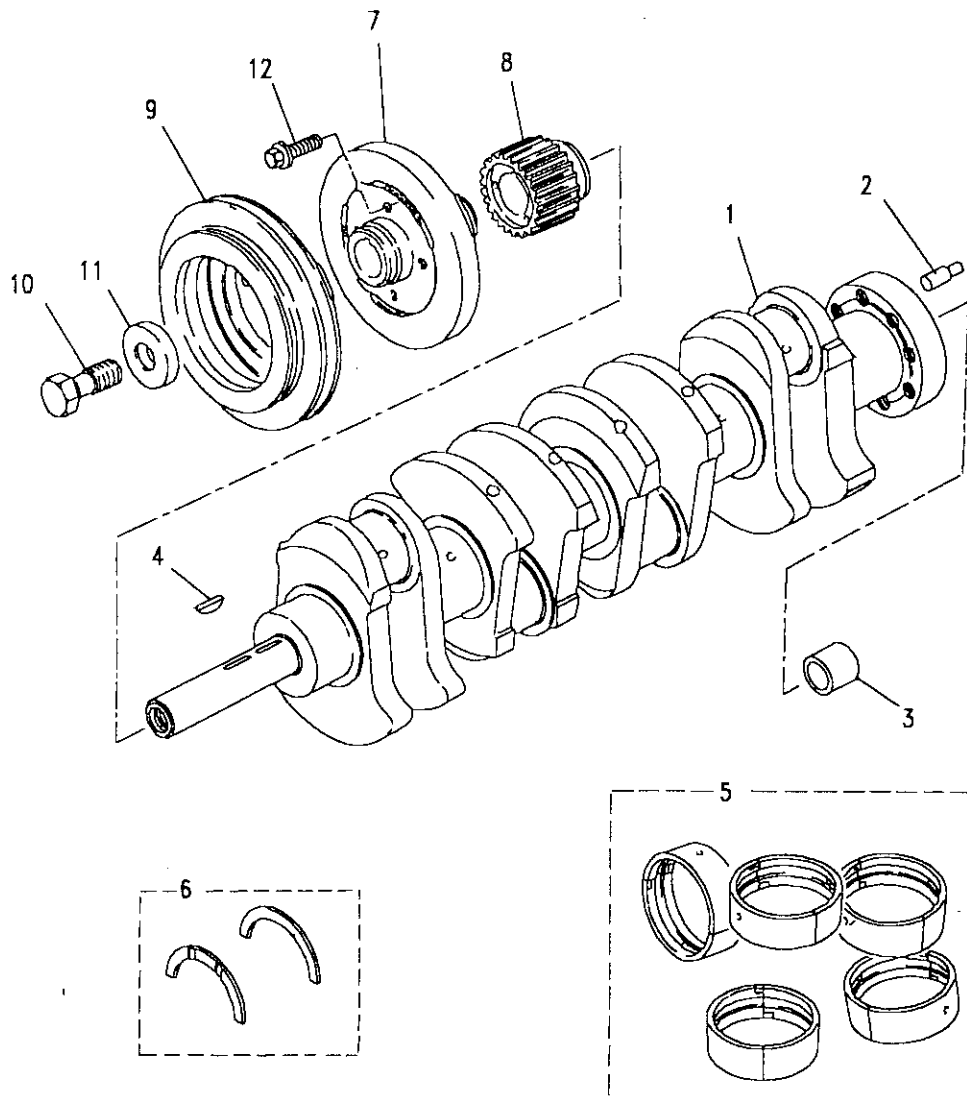
Page AFBMCA1A

ENGINE - CRANKSHAFT - 200 TDI

III. Part No.	Description	Qty	Remarks
1	ERR1181 Crankshaft	1	
2	ERR1630 Dowel crankshaft	1	
3	8566L Bush-crankshaft	1	
4	235770 Key	2	
5	RTC4783 Bearing kit-main	1	
	RTC478310 Bearing kit-main-010"	1	
	KIT-THRUST WASHER-PAIRS		
6	RTC2825 Standard	A/R	
	538131 0.0025" oversize	A/R	
	538132 0.0050" oversize	A/R	
	538134 0.010" oversize	A/R	
7	ETC4077 Damper & pulley assembly	1	BASIC
	ERR751 Damper & flinger assy	1	AIR CON & PAS
	ETC4390 Flinger-t/v damper	1	
8	ERR1642 Pulley-crankshaft timing	1	
9	ERC6861 Pulley-PAS	1	)Note(1)
	ERC6859 Pulley-AIR CON & PAS	1	)
10	ERR605 Bolt-crankshaft	1	
11	ERR705 Washer thrust	1	
12	FS108201L Screw flange M8x20	4	

Note(1) When power steering or air conditioning is fitted use ERR751 torsional vibration damper and bolt together with appropriate pulley

Note(2) From DEC1992 ERR3093 replaces ERC6861/ERC6859 this must be used with fan ERR3380.





**Model** DEFENDER 110 1987 onwards  
**Page** AFBMCC1A

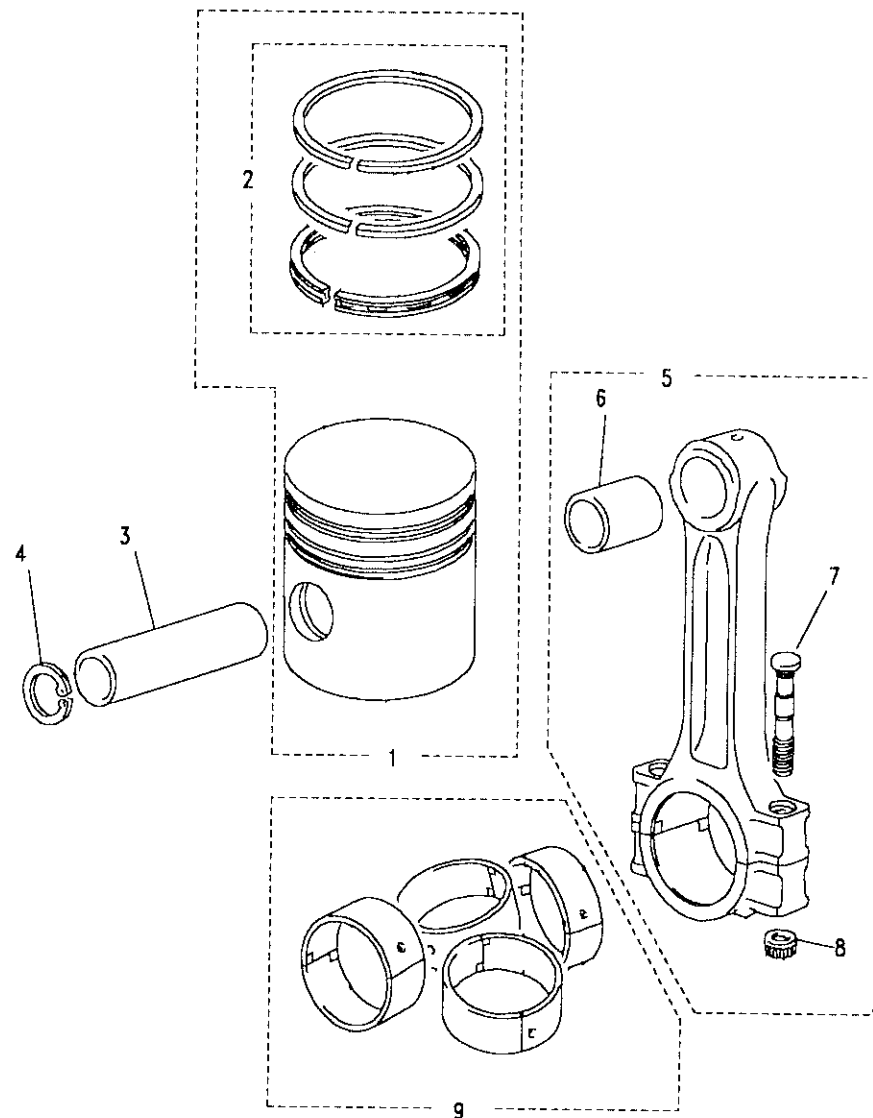
**ENGINE - PISTONS AND RINGS - 200 TDI**

III. Part No.	Description	Qty	Remarks
1 ERR1390	Piston assembly GX	4	Note(1)
1 ERR1391	Piston assembly GY	4	Note(2)
2 RTC6457	Kit piston ring	4	
3 ERR703	Gudgeon pin	4	
4 266945	Circlip	2	
5 ETC8086	Connecting rod assembly	4	
6 ETC7286	Bush	4	
7 ETC7357	Bolt	2	
8 ETC8191	Nut conn rod	2	

**Con Rod Bearing: Engine Set**

9 RTC2993	Bearing set big end	1	Standard
RTC299310	Bearing set big end	1	0.010"o/size

Note(1) Grade X Piston is For Cylinder Bore 90.487-90.475(see Note 3)  
 Note(2) Grade Y Piston is For Cylinder Bore 90.500-90.487(see Note 3)  
 Note(3) Pistons must be changed as complete sets.





**Model** DEFENDER 110 1987 onwards

**Page** AFBMDA1A

**ENGINE - SUMP/LADDER FRAME - 200 TDI**

III. Part No.	Description	Qty	Remarks
1 ERR1790	Sump-crankcase	1	
2 603659	Plug drain	1	
3 213961	Washer joint-plug	1	Note(1)
4 ETC7867	Rod oil level	1	
5 ERC8980	Tube dipstick	1	
6 236408	Olive	1	
7 532387	Ring seal	1	Note(1)
8 ERR1291	Ladder frame	1	Note(2)

**Ladder Frame to Block**

9 FB108251	Bolt flange M8x125	2	
10 FB108121L	Bolt flange M8x60	4	
11 FS108301L	Bolt	3	

**Sump to Ladder Frame/Block**

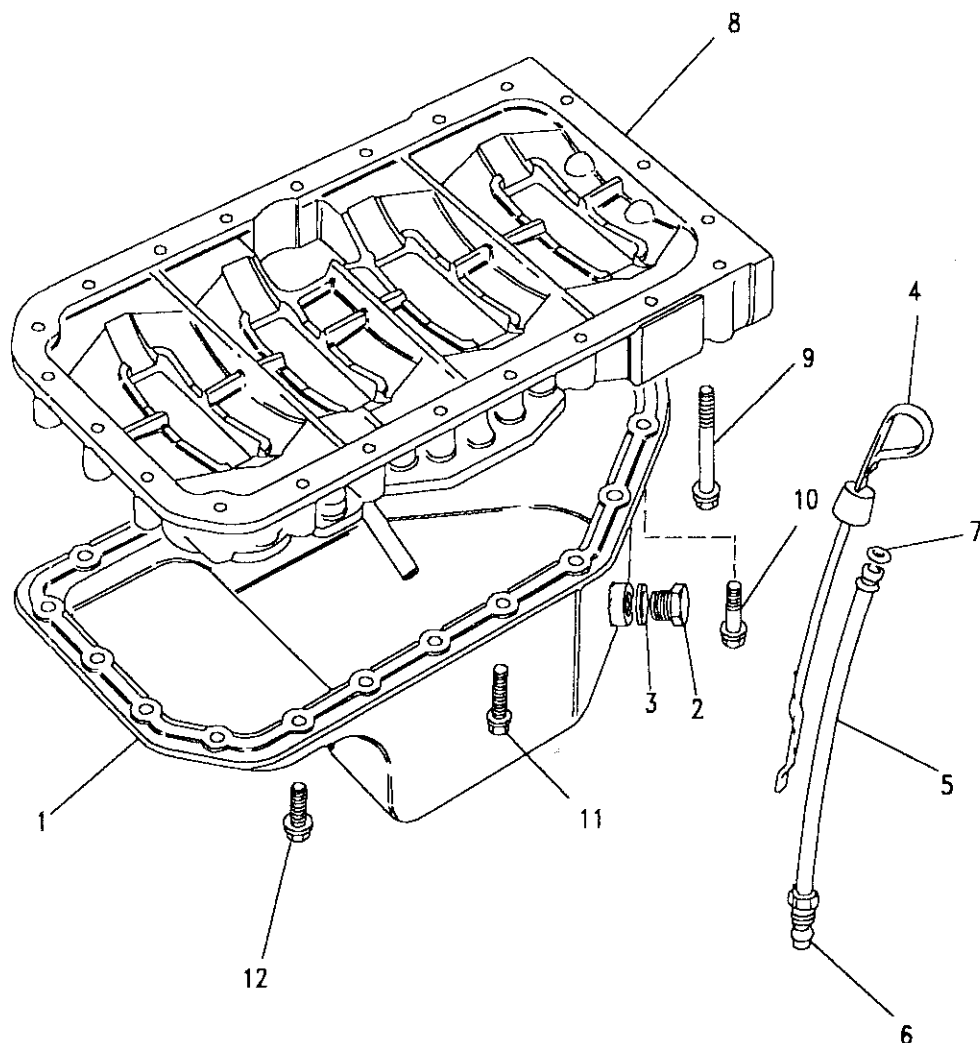
10 FB108121L	Bolt flange M8x60	12	
12 FS108251L	Screw flange M8x25	8	
STC611	Sealant-Hylomar 2000	1	Note(2)

Note(1)

Part of gasket kit STC363

Note(2)

Sealant to be used between ladder frame and sump

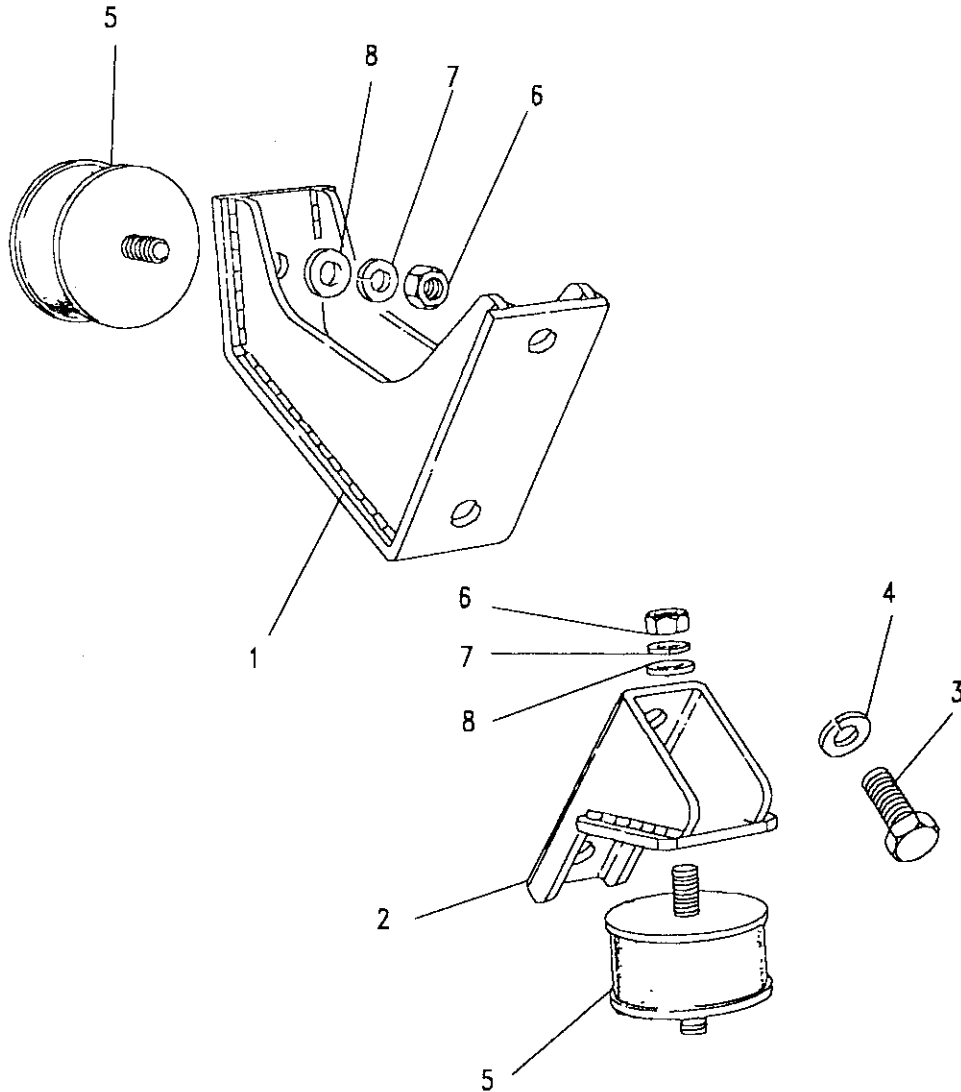




**Model** DEFENDER 110 1987 onwards  
**Page** AFBMDC1A

**ENGINE - ENGINE MOUNTINGS - 200 TDI**

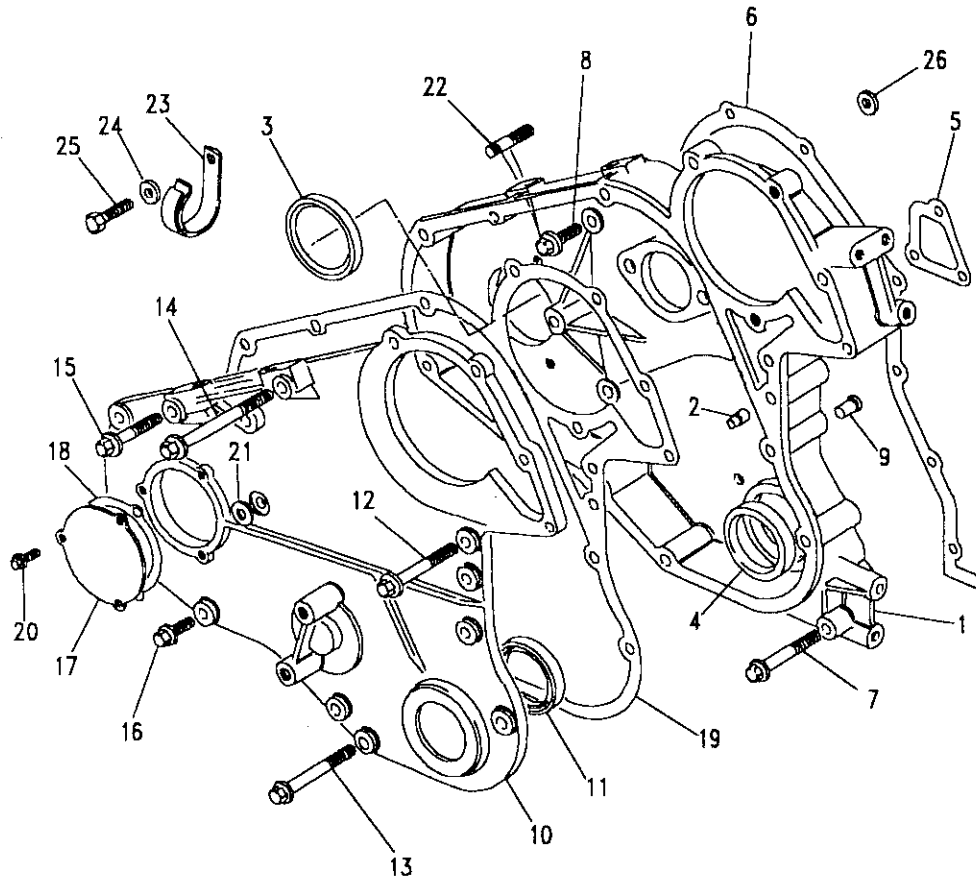
III. Part No.	Description	Qty	Remarks
1	NRC5434	1	Mounting foot-RH
2	NRC9557	1	Mounting foot-LH
3	SH112251L	4	Screw-foot to block
4	WL112001L	4	Washer-foot to block
5	ANR1808	2	Mounting rubber
6	NH110041L	4	Nut-rubber to foot
7	WC110061L	2	Washer-rubber to foot
8	WL110001L	4	Washer-rubber to foot



Model DEFENDER 110 1987 onwards

Page AFBME1A

ENGINE - FRONT COVER - 200 TDI



Ill. Part No.	Description	Qty	Remarks
1	ERR1273	1	NON AIR CON
	ERR1274	1	AIR CON
2	6395L	4	
3	ETC5064	1	Note(1)
4	ETC5065	1	Note(1)
5	ERR1607	1	Note(1)
6	538039	1	Note(1)
7	FB108131L	1	
8	FS108207L	2	
9	ERR2375	1	
10	ERR1253	1	NON AIR CON
	ERR1256	1	AIR CON
11	ETC4154	1	Note(1)
12	FB108141L	2	
13	FB108151L	4	
14	FB108201L	1	
15	FB108101	1	
16	FS108251L	3	
17	ERR25	1	
	ETC8853	1	
18	ERR635	1	Note(1)
19	ERR1553	1	Note(1)
20	SE106101L	3	
21	ERR3604	1	
22	TE108061L	3	
23	ETC4630	1	
24	WA108051L	1	
25	SH108121L	1	
26	ERR394	1	Note(1)

Note(1) Part of gasket kit STC363



DEFENDER 110 1987 onwards

179

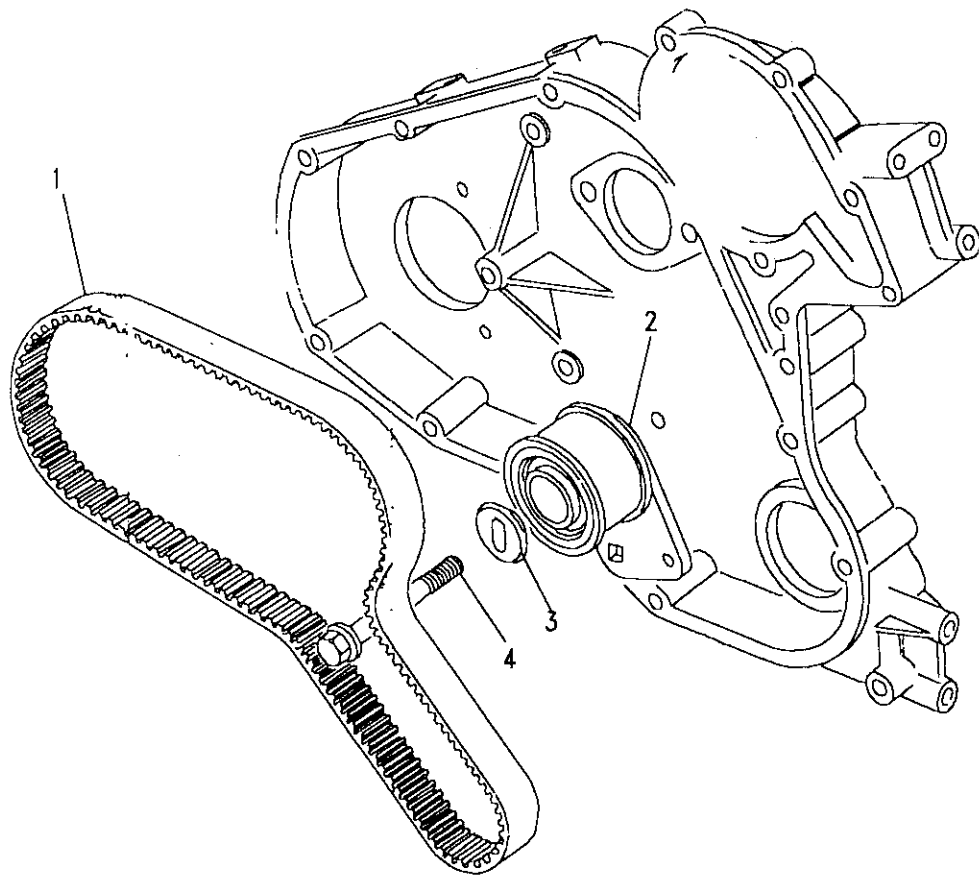
ENGINE

Model DEFENDER 110 1987 onwards

Page AFBMEC1A

ENGINE - TIMING BELT - 200 TDI

III. Part No.	Description	Qty	Remarks
1 ETC8550	Belt timing	1	
2 ERR2530	Tensioner assembly	1	
3 ERR900	Washer	1	
4 FB110141L	Bolt flange M10x70	1	



Model DEFENDER 110 1987 onwards

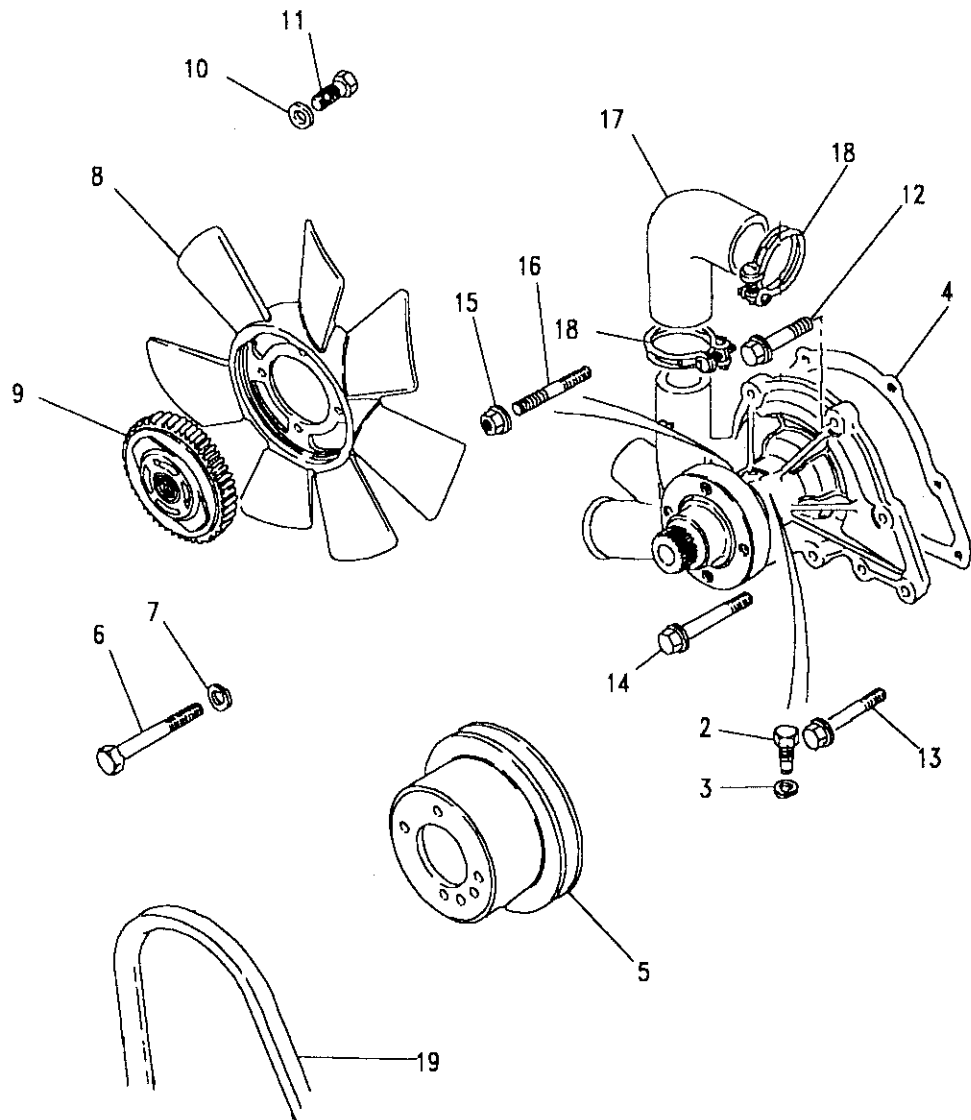
Page AFBMEE1A

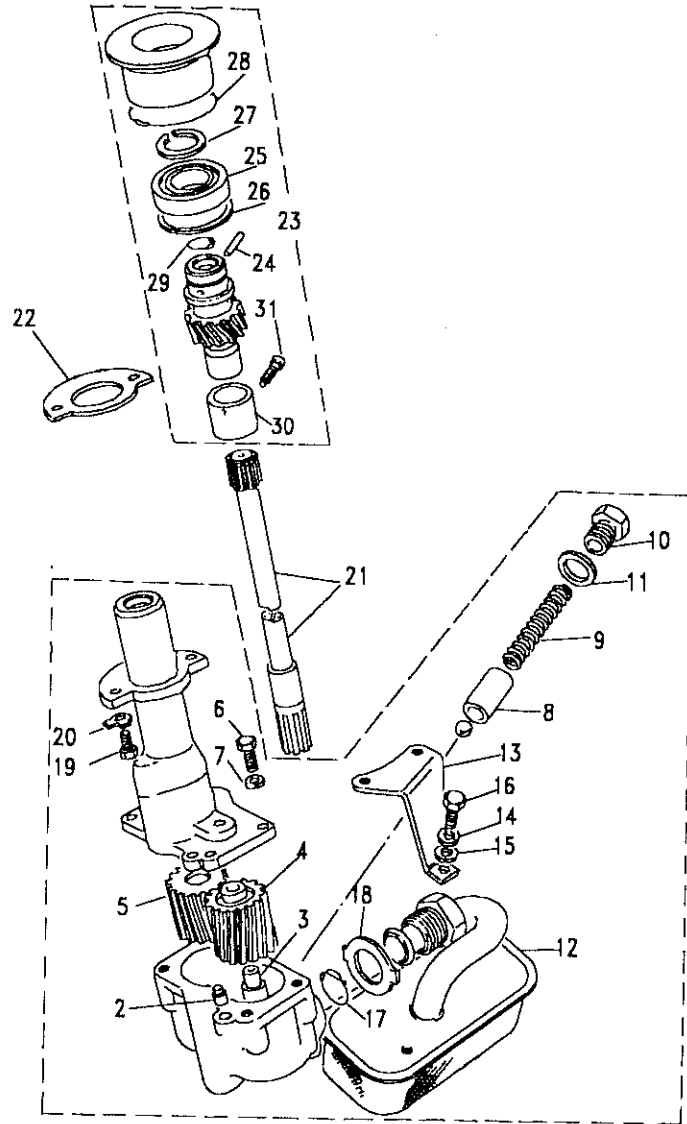
ENGINE - WATER PUMP - 200 TDI

III. Part No.	Description	Qty	Remarks
1	STC639	1	Pump water assembly
2	ERC5600	1	Bolt
3	WL106001L	1	Washer spring
4	ERC5655	1	Gasket
5	ETC4785	1	Pulley
6	FS108161L	4	Screw
7	WL108001L	4	Washer spring
8	ETC7554	1	Fan-7 blade
9	ERR3380	1	Fan
9	ETC7238	1	Viscous unit
10	4589L	4	Washer
11	ERC5709	4	Bolt
12	FB108071L	3	Bolt flange M8x35
13	FB108151L	1	Bolt flange M8x75
14	FB108171L	2	Bolt flange M8x85
15	FN108041L	1	Nut flange M8
16	TD108181	1	Stud M8x90
17	ERR1424	1	Hose-by pass outlet
18	CN100408L	2	Clip-hose
19	ETC7939	1	Belt fan

Note(1)  
Note(2)

Part of gasket kit STC363  
From DEC1992 use new fan with C/SHAFT pulley ERR3093.



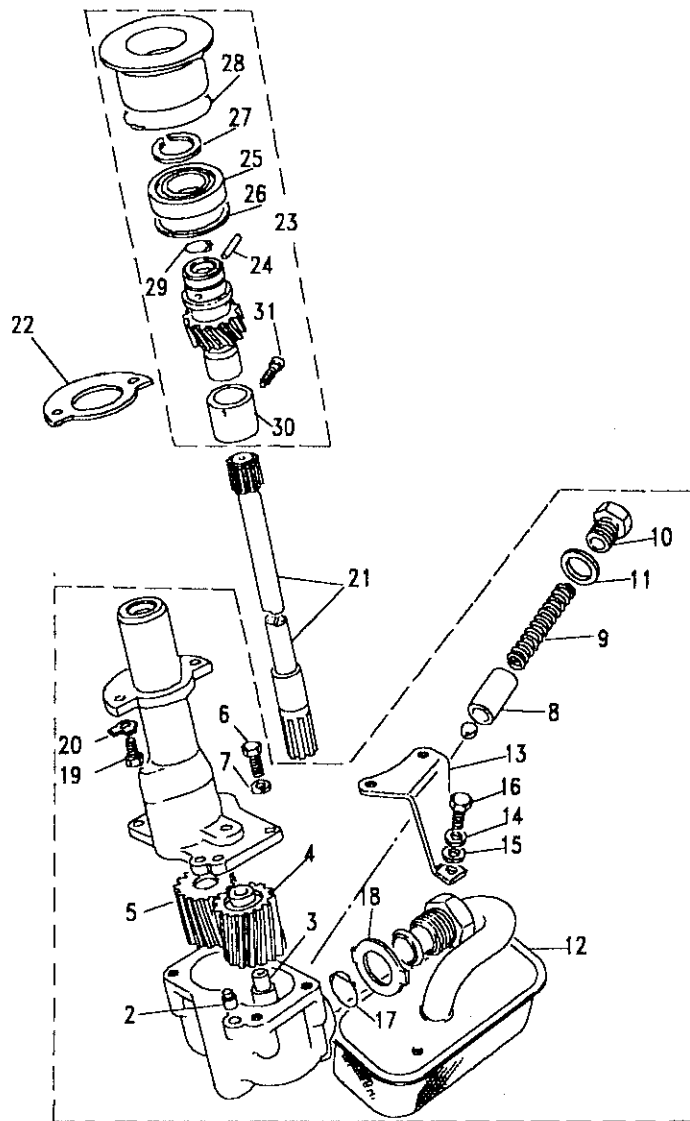


**Model** DEFENDER 110 1987 onwards  
**Page** AFBMFA1A

**ENGINE - OIL PUMP - 200 TDI**

III. Part No.	Description	Qty	Remarks
1 ERR1178	Pump oil assembly	1	
2 236257	Dowel	2	
3 ERR1063	Spindle-idler wheel	1	
4 ERR1088	Wheel idler	1	
5 ERC9706	Wheel drive	1	
6 FS108201L	Screw-cover to block	4	
7 WL108001L	Washer spring	4	
8 ETC4880	Plunger-oil relief	1	
9 564456	Spring-oil relief	1	
10 564455	Plug-oil relief	1	
11 232044	Washer joint	1	Note(1)
12 ERR1521	Filter	1	
13 ERR541	Bracket support	1	
14 WA108051L	Washer	1	
15 WL108001L	Washer spring	1	
16 FS108201L	Screw	1	
17 244488	O ring	1	Note(1)

Note(1) Part of gasket kit STC363



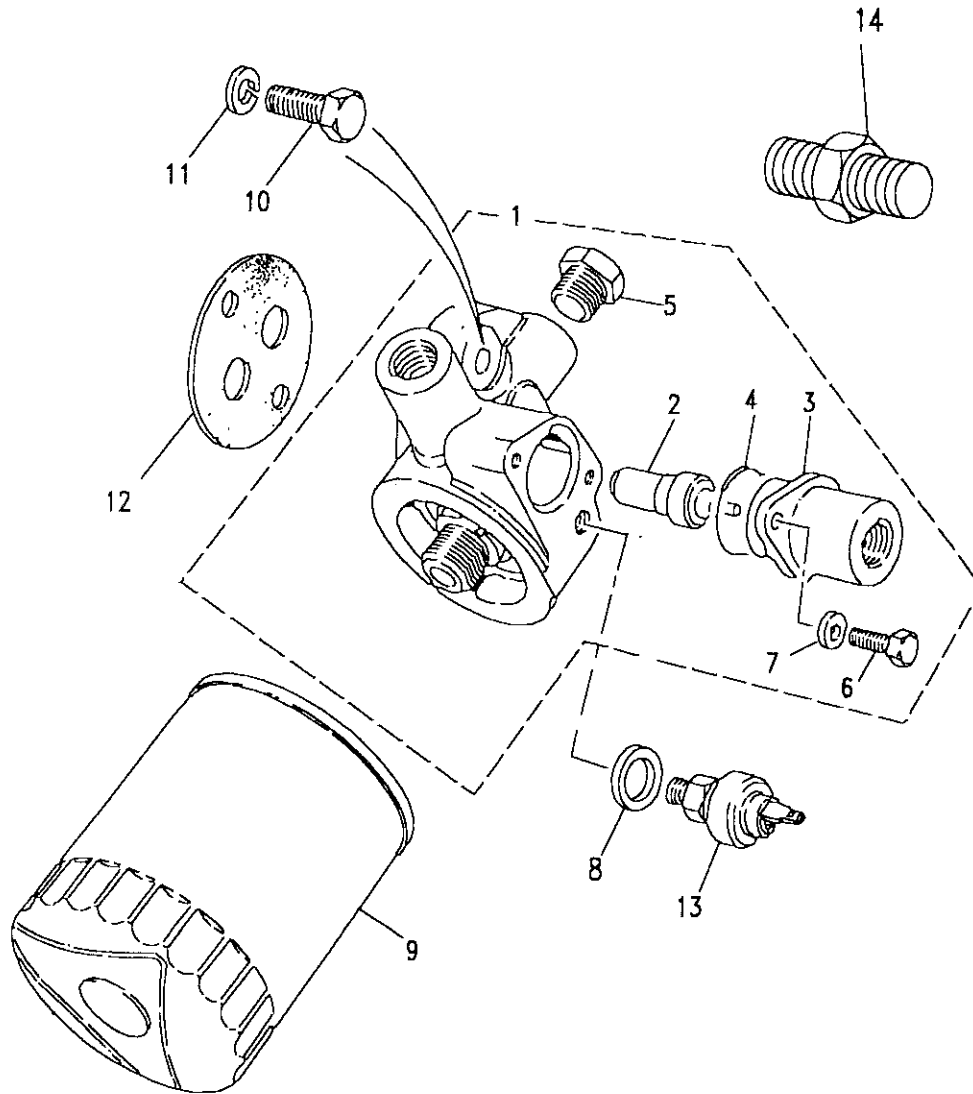
**Model** DEFENDER 110 1987 onwards

**Page** AFBMFA1A

**ENGINE - OIL PUMP - 200 TDI**

III. Part No.	Description	Qty	Remarks
18 244487	Washer locking	1	
19 FS108251L	Screw	2	
20 247665	Washer locking	2	
21 ERR850	Drive shaft	1	
22 ERR3606	Gasket	1	Note(1)
23 ERR928	Drive shaft assembly	1	
24 ERR309	Pin dowel	1	
25 ERR528	Bearing deep groove	1	
26 CR120305	Ring snap-external	1	
27 ERR530	Ring snap-internal	1	
28 ERR531	O ring bearing housing	1	Note(1)
29 ERR532	O ring	1	Note(1)
30 ERR500	Bush bottom V/D/S/ gear	1	
31 ERR848	Screw locking	1	

Note(1) Part of gasket kit STC363



**Model** DEFENDER 110 1987 onwards  
**Page** AFBMFA2A

**ENGINE - OIL FILTER - 200 TDI**

III. Part No.	Description	Qty	Remarks
1	ERR1299	1	Upto 11L25129A
	ERR3459	1	)From
	ERR2623	1	)11L25130A
1	ERR1299	1	
2	ERC5923	1	
3	ETC4022	1	
4	ERC5913	1	Note(1)
5	ETC4021	1	Upto 11L25129A
	ERR3458	1	From 11L25130A
6	SH106141L	2	
7	WA106041L	2	
8	ETC7398	2	Note(1)
9	ERR3340	1	
10	FS110301L	2	
11	WL110001L	2	
12	ETC5276	1	Note(1)
13	PRC6387	1	
14	NRC8618	2	

Note(1) Part of gasket kit STC363

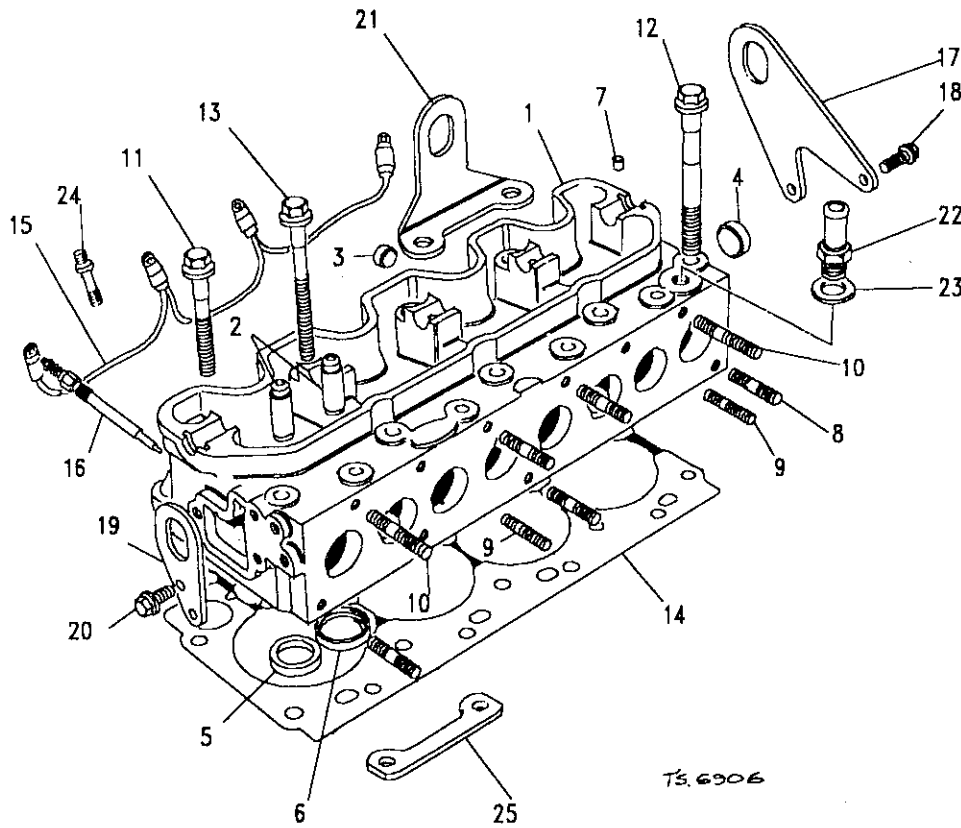


Model DEFENDER 110 1987 onwards  
 Page AFBMGA1A

ENGINE - CYLINDER HEAD - 200 TDI

III. Part No.	Description	Qty	Remarks	
1	RTC6896	1	Cylinder head assembly	
2	ETC8003	8	Guide valve	
3	525497	1	Plug cup	
4	524765	1	Plug cup	
5	ETC8002	4	Insert-valve seat	
6	ETC8001	4	Insert-valve seat	
7	ETC8194	1	Dowel-ring cyl/head	
8	TE110051L	5	Stud M10x25	
9	TE108051L	2	Stud M8x25	
10	TE110071L	2	Stud M10x35	
11	ETC8808	4	Bolt-short cyl/head	
12	ETC8809	10	Bolt-long cyl/head	
13	ETC8810	4	Bolt-M10 cyl/head	
14	ERR5261	1	Gasket-cyl head 1.3mm	Note(1)
	ERR5262	1	Gasket-cyl head 1.4mm	Note(1)
	ERR5263	1	Gasket-cyl head 1.5mm	Note(1)
15	PRC6947	1	Cable assy-glow plugs	Upto 11L33656A
	AMR2425	1	Cable assy-glow plugs	From 11L33657A
16	ETC8847	4	Glow plug	
17	ETC8036	1	Bracket-lifting rear	
18	FS108251L	2	Screw flange M8x25	

Note(1) Part of gasket kit STC362

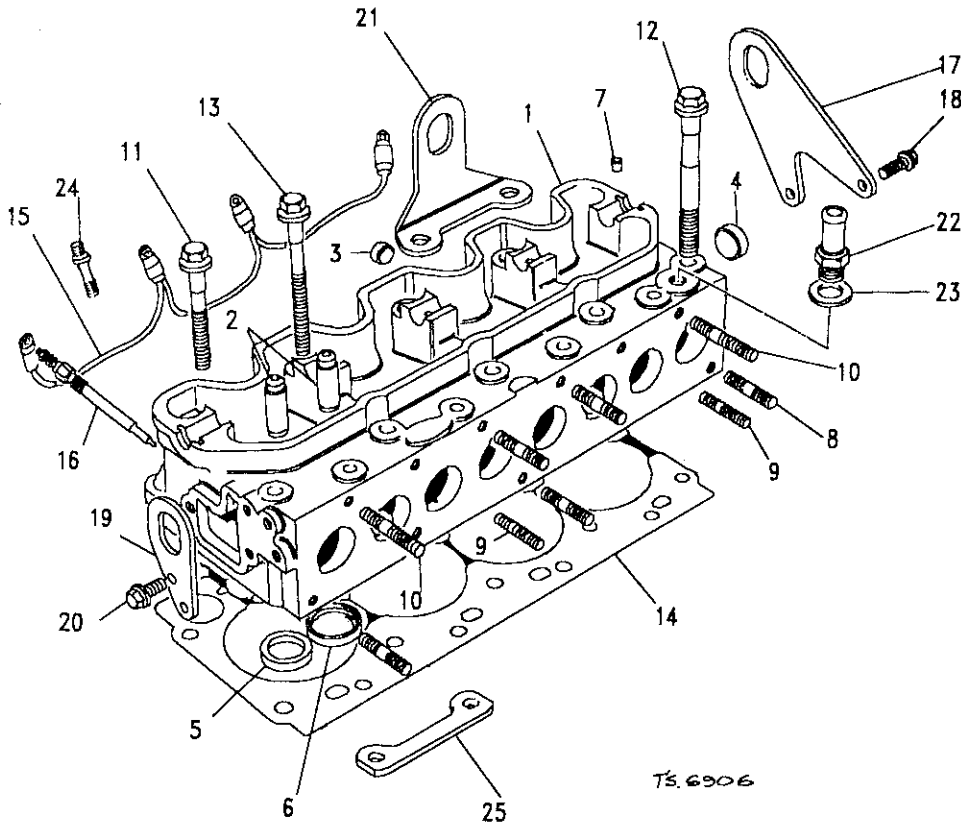


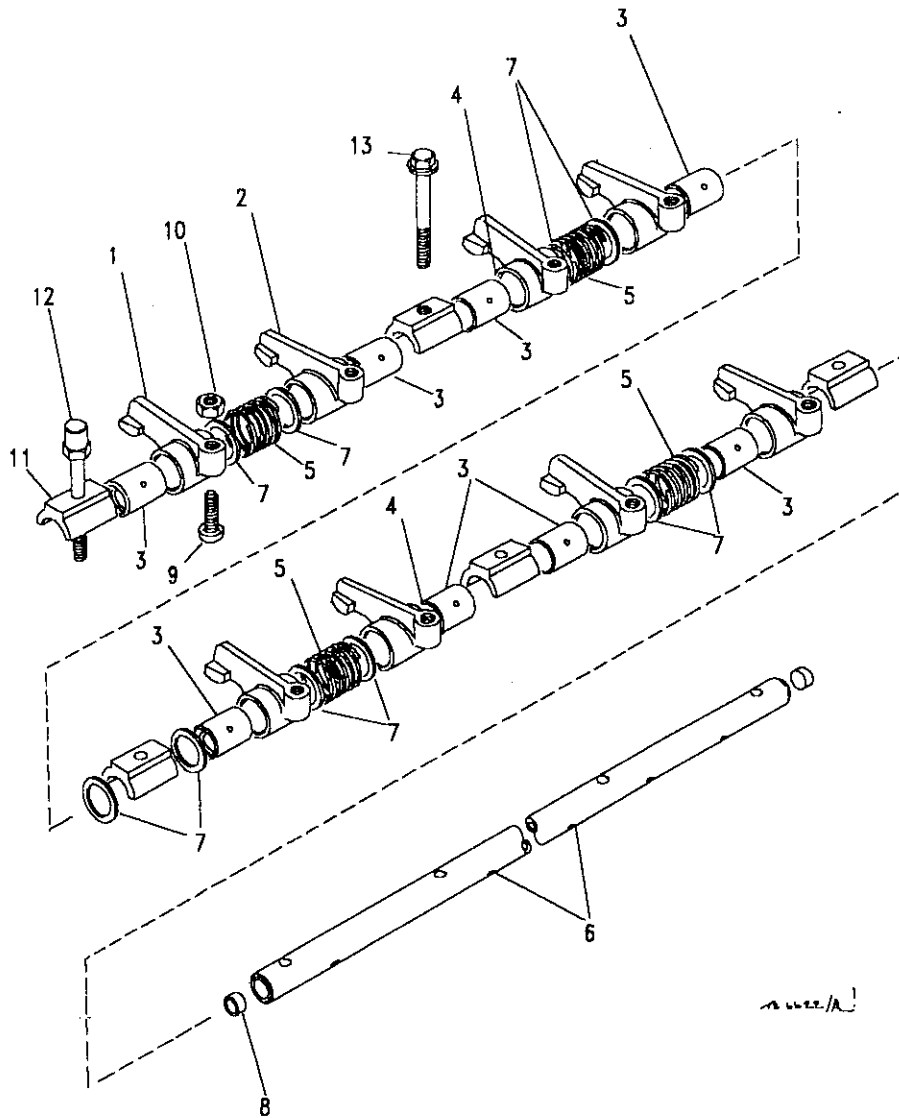
Model DEFENDER 110 1987 onwards  
 Page AFBMGA1A

ENGINE - CYLINDER HEAD - 200 TDI

III. Part No.	Description	Qty	Remarks
19 ETC8031	Bracket-lifting front	1	
20 FS108251L	Screw flange M8x25	2	
21 ERR978	Bracket engine lifting	1	
22 624091	Adaptor	1	
23 243959	Washer joint	1	
24 ERR1019	Stud-injector clamp	1	
25 ERR1536	Spacer-bracket	1	
26 ERR765	Plug rubber	2	Note(1)

Note(1) Part of gasket kit STC363





**Model** DEFENDER 110 1987 onwards  
**Page** AFBMGC1A

**ENGINE - ROCKER SHAFT - 200 TDI**

III. Part No.	Description	Qty	Remarks
1 ERR1202	Rocker arm assy RH	4	
2 ERR1201	Rocker arm assy LH	4	
3 ERR1203	Bush-rockers	8	
4 ERR1209	Washer rocker shaft	6	
5 ETC8095	Spring	4	
6 ERR1197	Shaft valve rockers	1	
ERR4682	Shaft rocker assembly	1	From Jan 94
7 ERR1210	Spacer-rocker shaft	10	
8 ETC8103	Plug-shaft	2	
9 ERR559	Screw tappet adjuster	8	
10 ERR560	Nut locker	8	
11 ERR1107	Clamp-rocker shaft	5	
12 ETC7530	Bolt-rocker shaft	3	
13 FB108101	Bolt flange	2	

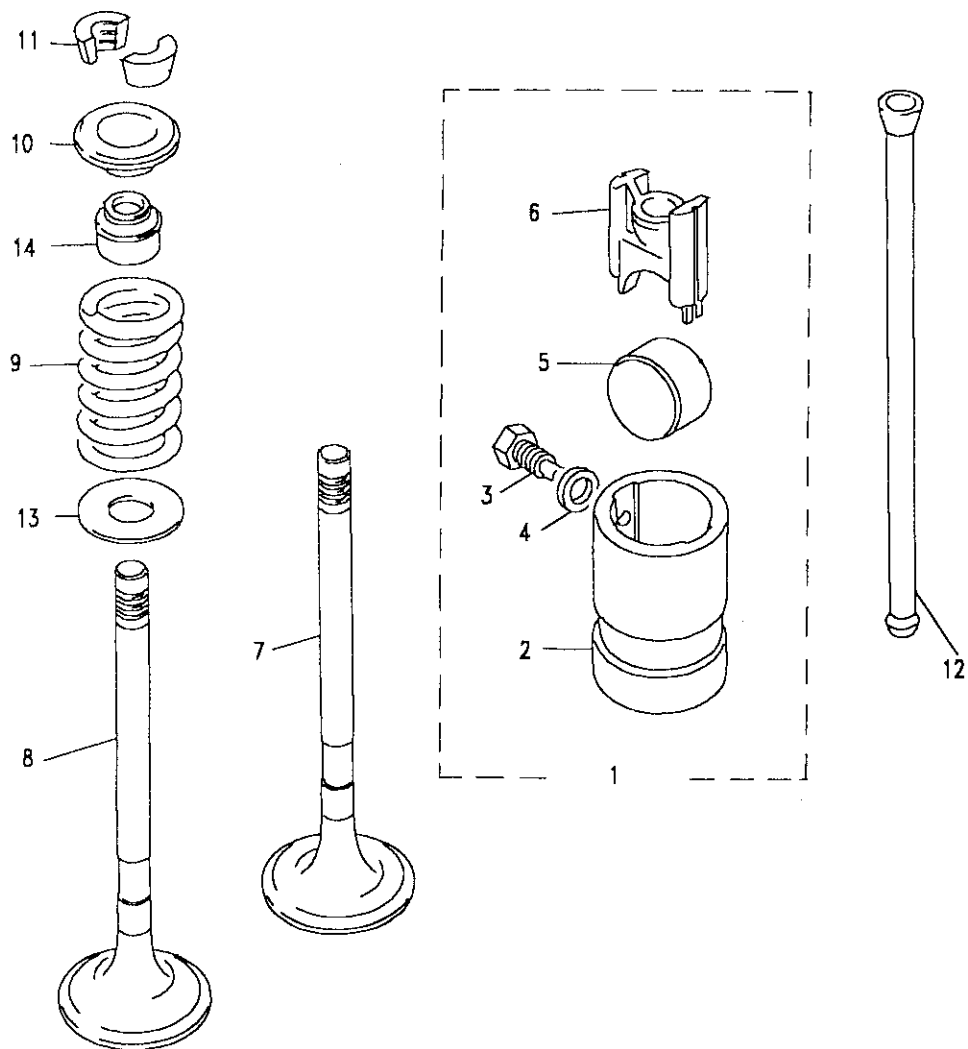


Model DEFENDER 110 1987 onwards  
Page AFBMGE1A

ENGINE - VALVES AND TAPPETS - 200 TDI

III. Part No.	Description	Qty	Remarks
1	RTC6564	8	
2	502473	1	
3	ETC4246	8	
4	273069	8	
5	ERR561	8	
6	ERR607	8	
7	ERR1157	4	
8	ERR1156	4	
9	ERR4640	8	
10	ETC4068	8	
11	ETC4069	16	
12	546799	8	
13	ETC8193	8	
14	ETC8663	8	Note(1)
	ERR4175	8	Note(2)

Note(1) Part of gasket kit STC362  
Note(2) ERR1158 can be fitted if valve stem or rockers are worn



13 153

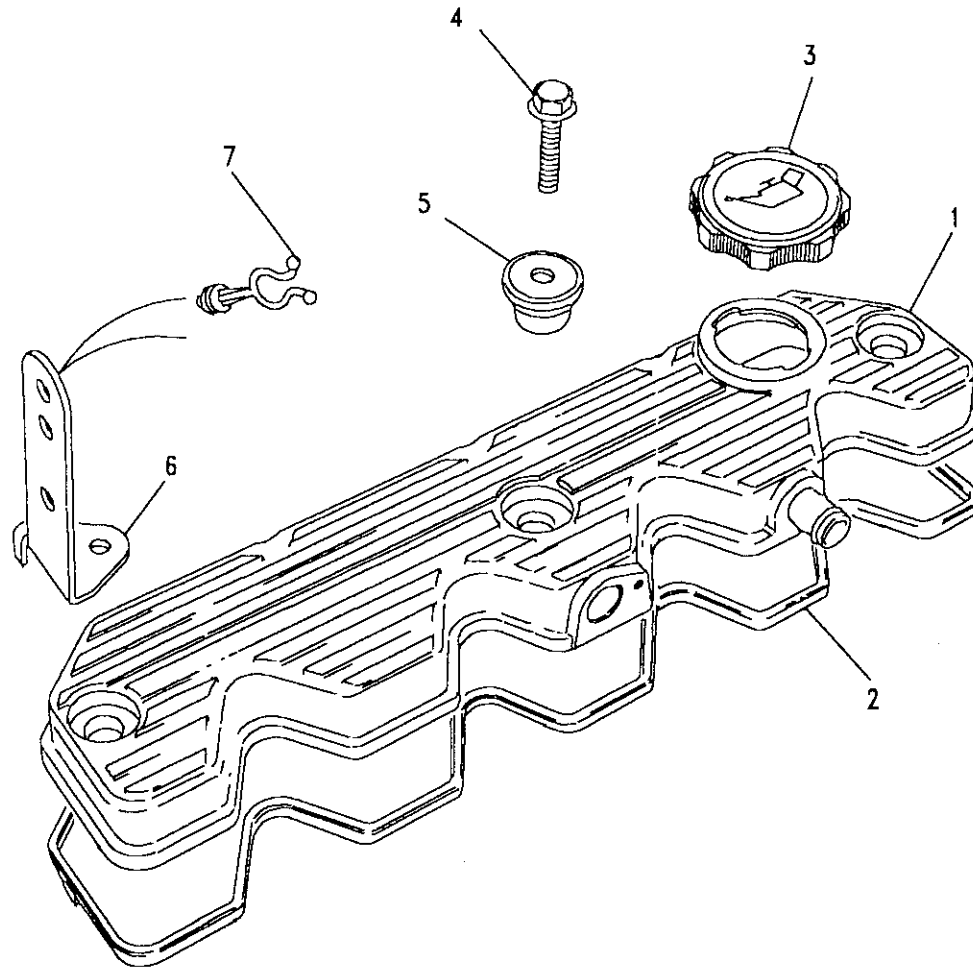


**Model** DEFENDER 110 1987 onwards  
**Page** AFBMGG1A

**ENGINE - ROCKER COVER - 200 TDI**

Ill. Part No.	Description	Qty	Remarks
1	ERR1530	1	Upto Apl 92
	ERR3368	1	From Apl 92
2	ERR2393	1	
3	ERR5041	1	
4	FS106255L	3	
5	ERR663	3	Note(1)
6	ERR1621	1	
7	NRC8332	1	

Note(1) Part of gasket kit STC362

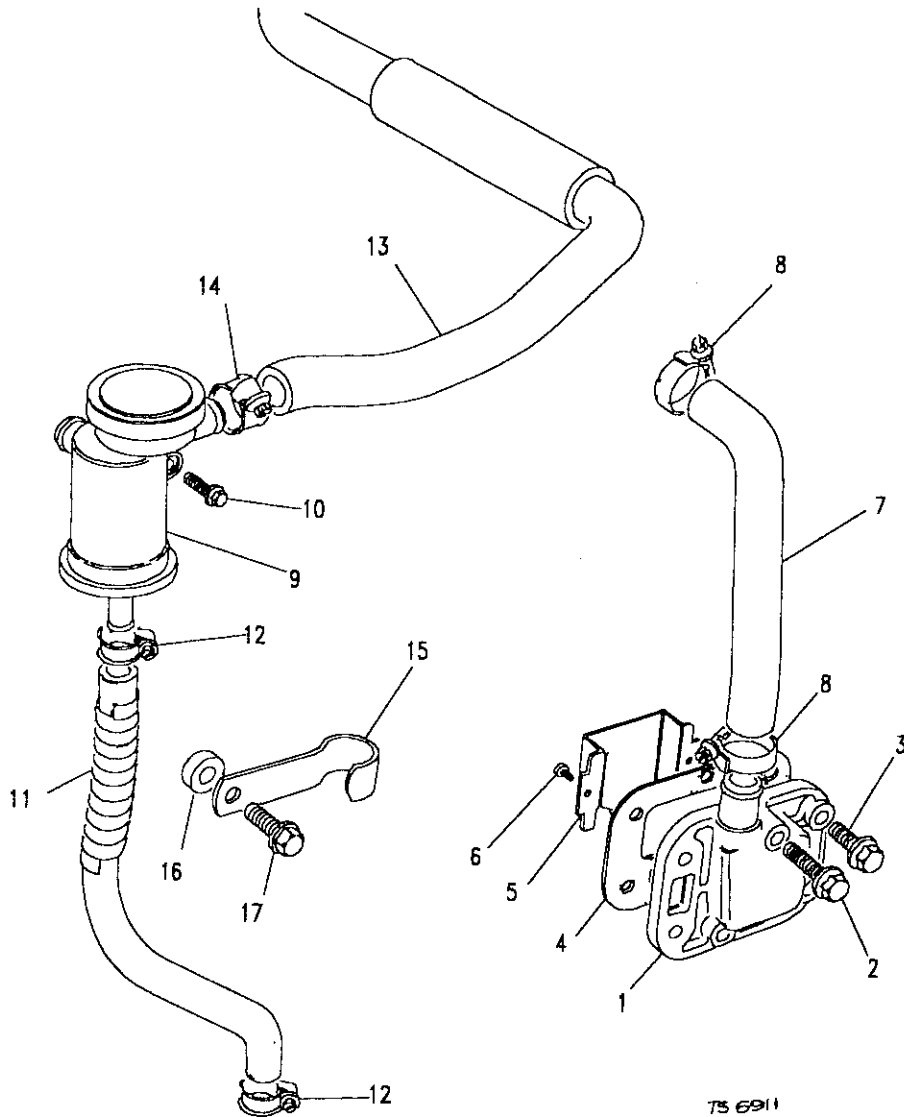


**Model** DEFENDER 110 1987 onwards  
**Page** AFBMGG2A

**ENGINE - CYCLONE BREATHER ASSEMBLY - 200 TDI**

Ill. Part No.	Description	Qty	Remarks
1 ERR506	Cover side breather assy	1	UptoAPRIL1992
541010	Cover side breather assy	1	FromAPRIL1992
2 FB108081L	Bolt flanged	1	
3 FS108251L	Screw flange M8x25	5	
4 247555	Gasket-side cover	1	
5 ERR874	Baffle plate-side cover	1	Note(1)
6 79026	Screw No6	1	Note(1)
7 ERR877	Hose-side to rock/cover	1	Note(1)
8 CN100258L	Clip-worm-hose	2	Note(1)
9 ERR1471	Breather cyclone	1	
10 FB106121L	Screw flange M6x60	2	
11 ERR1605	Hose-cyclone oil drain	1	
12 CN100208L	Clip-worm-hose	2	
13 ERR1729	Hose-cyclone to air/clean	1	
14 CN100258L	Clip-worm-hose	2	
15 ERR878	Clip-oil drain hose	1	
16 ERR879	Spacer-clip-oil drain	1	
17 SH110201L	Screw flange M10x20	1	

Note(1) Not used on ERR3368 rocker cover without breather side plate

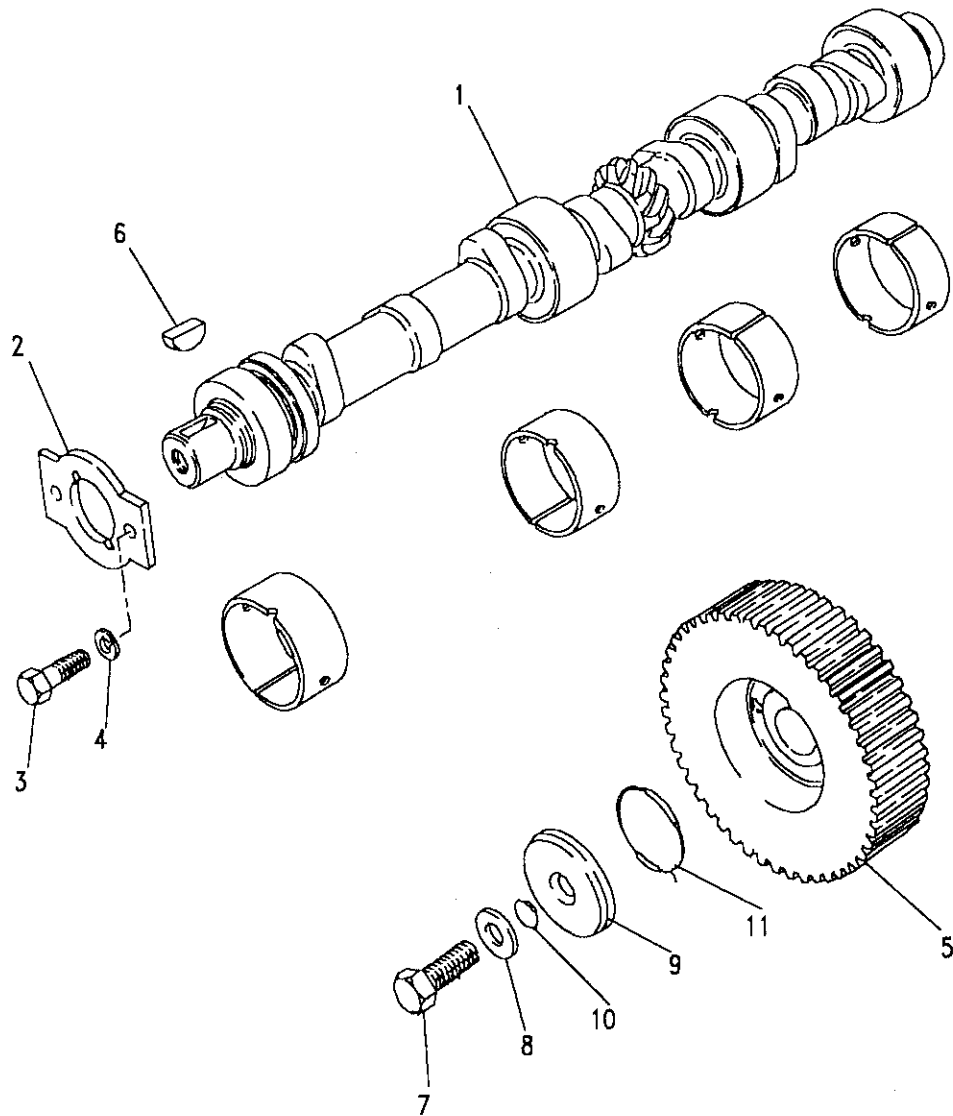


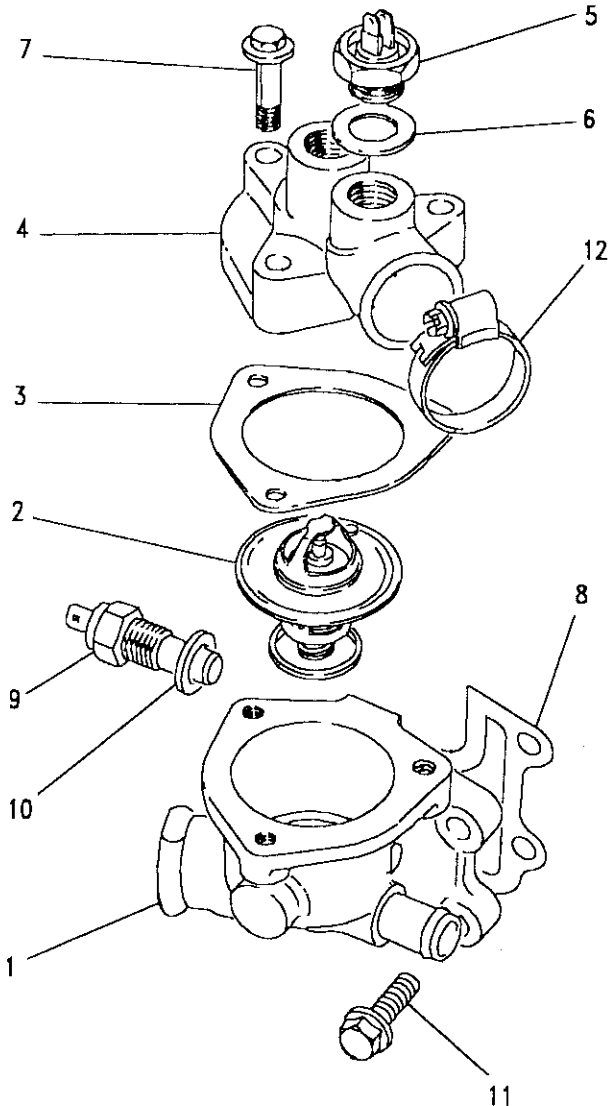
**Model** DEFENDER 110 1987 onwards  
**Page** AFBMGI1A

**ENGINE - CAMSHAFT - 200 TDI**

III. Part No.	Description	Qty	Remarks
1	ETC7128 Camshaft	1	
2	ERC1561 Plate thrust camshaft	1	
3	FS106167 Screw	2	
4	WL106001L Washer spring	2	
5	ERR666 Pulley	1	
6	230313 Key woodruff	1	
7	BX110071L Bolt	1	
8	ETC4670 Washer	1	
9	ERC8847 Plate-retaining	1	
10	ERC8849 O ring	1	Note(1)
11	ETC4076 O ring	1	Note(1)

Note(1) Part of gasket kit STC363





**Model** DEFENDER 110 1987 onwards  
**Page** AFBMGK1A

**ENGINE - THERMOSTAT HOUSING - 200 TDI**

III. Part No.	Description	Qty	Remarks
1 ERR1499	Thermostat housing	1	
2 ERR2803	Thermostat 88 degree	1	
3 ERR3682	Gasket thermostat housing	1	
4 ETC5967	Connection-water outlet	1	NON AIR CON
ETC5958	Connection-water outlet	1	AIR CON
BTR6141	Hose-by pass-no heater	1	
5 PRC3359	Switch-temperature sensor	1	
6 ERR696	Washer copper M14	1	Note(1)
7 FB106081L	Bolt flange M6x40	3	
8 ETC8007	Gasket-thermostat housing	1	Note(1)
9 PRC8593	Transmitter thermal	1	
10 90568054	Washer sealing	1	
11 FS108251L	Bolt flange-M8x25	3	
12 CJ600304L	Clip top hose	1	

Note(1) Part of gasket kit STC362

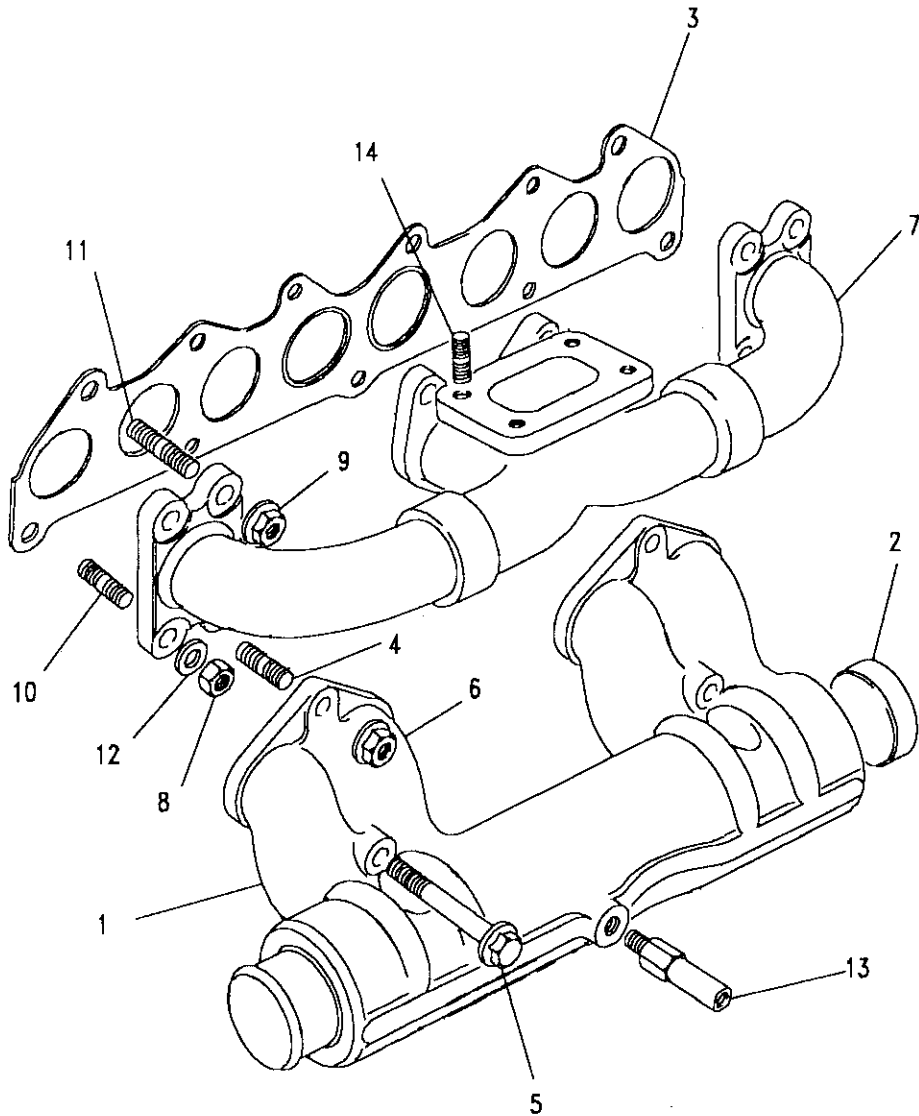


**Model** DEFENDER 110 1987 onwards  
**Page** AFBMHA1A

**ENGINE - MANIFOLDS - 200 TDI**

III. Part No.	Description	Qty	Remarks
1	ERR1435	1	
2	525428	1	
3	ERR1208	1	Note(1)
4	TE108051L	2	
5	FB108161L	2	
6	FN108041L	2	
7	ERR678	1	
8	ERR597	2	
9	NT110041L	2	
10	TE110051L	5	
11	TE110071L	2	
12	WA110061L	7	
13	ETC7395	1	
14	ERR551	4	

Note(1) Part of gasket kit STC362





DEFENDER 110 1987 onwards

193

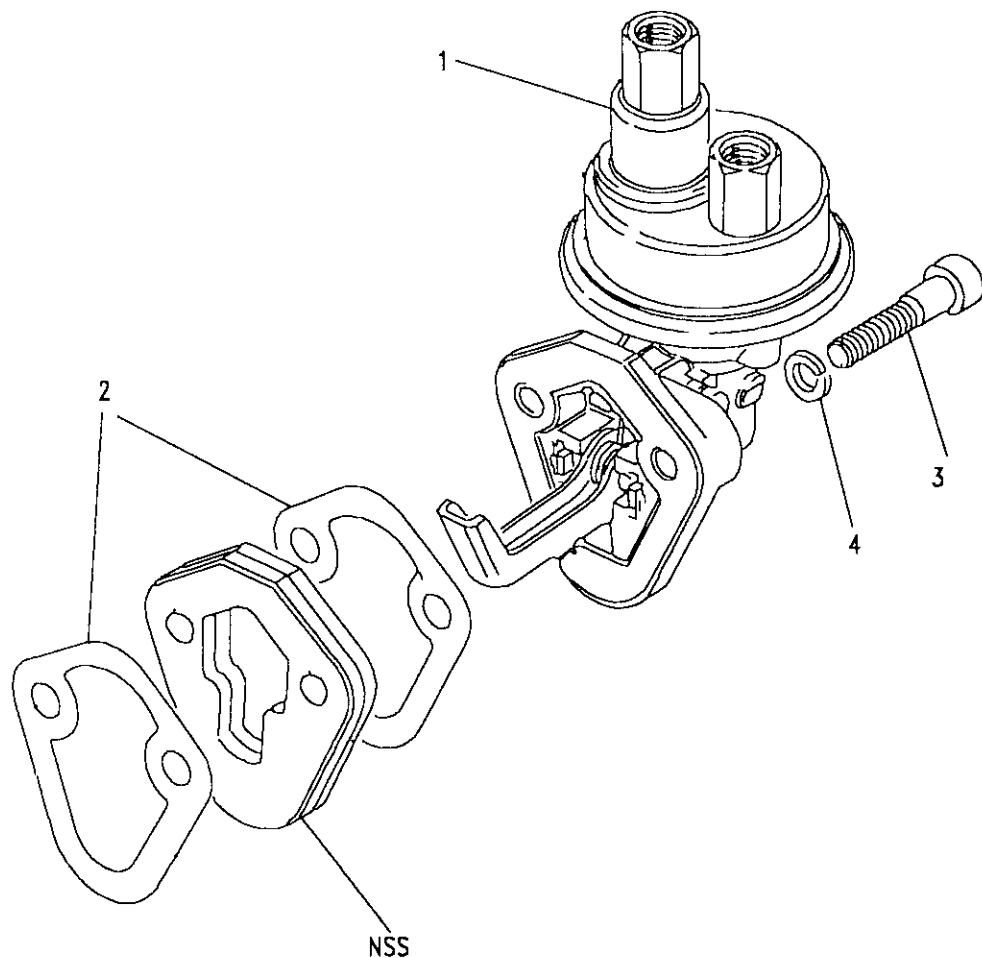
ENGINE

Model DEFENDER 110 1987 onwards  
Page AFBMKA1A

ENGINE - FUEL PUMP - 200 TDI

III. Part No.	Description	Qty	Remarks
1 ETC7869	Pump fuel	1	
2 ETC7970	Gasket fuel pump/side cov	2	Note(1)
ERR2028	Gasket fuel pump	2	From Jan 94
3 SS108301L	Screw socket	2	
4 WA108051L	Washer	2	

Note(1) Part of gasket kit STC363

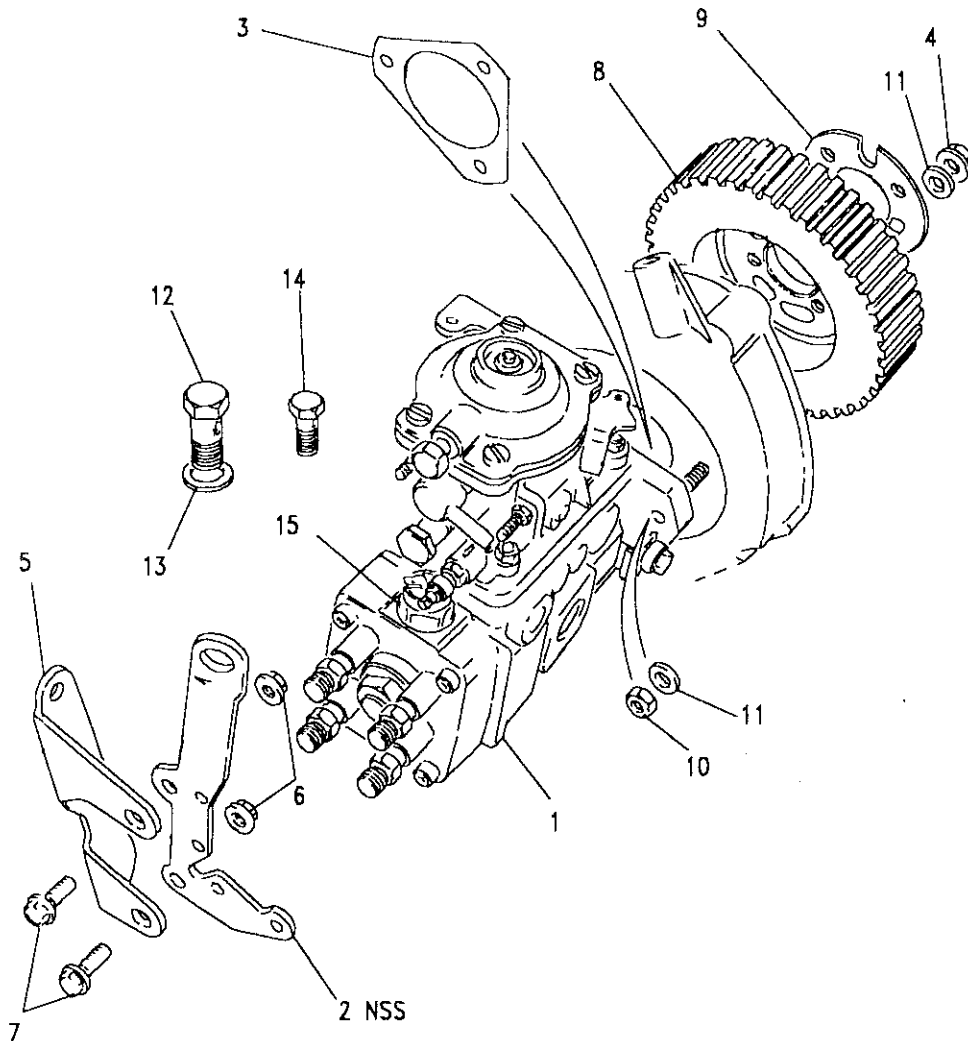


Model DEFENDER 110 1987 onwards  
 Page AFBMKC1A

ENGINE - INJECTION PUMP - 200 TDI

III. Part No.	Description	Qty	Remarks
1	ERR1333	1	Pump fuel injection
2	ERR1662	1	Bracket-F.I.E. abutment
3	ERR631	1	Gasket-fuel pump
4	FN108041L	3	Nut flange M8
5	ERR1662	1	Bracket-F.I.E.
6	FN108041L	2	Nut flange M8
7	FS108201L	2	Screw flange M8x20
8	ERR667	1	Pulley
9	ERR359	1	Plate retaining-pulley
10	FN108041L	3	Nut
11	WA108051L	6	Washer plain
12	ERR886	1	Bolt banjo
13	ERR894	2	Washer copper
14	ERR1125	1	Bolt banjo-fuel inlet
15	RTC6702	1	Switch fuel cut off
16	STC262	4	Adaptors-F.I.E. pump

Note(1) Not stocked separately - part of pump assembly  
 Note(2) Part of gasket kit STC363

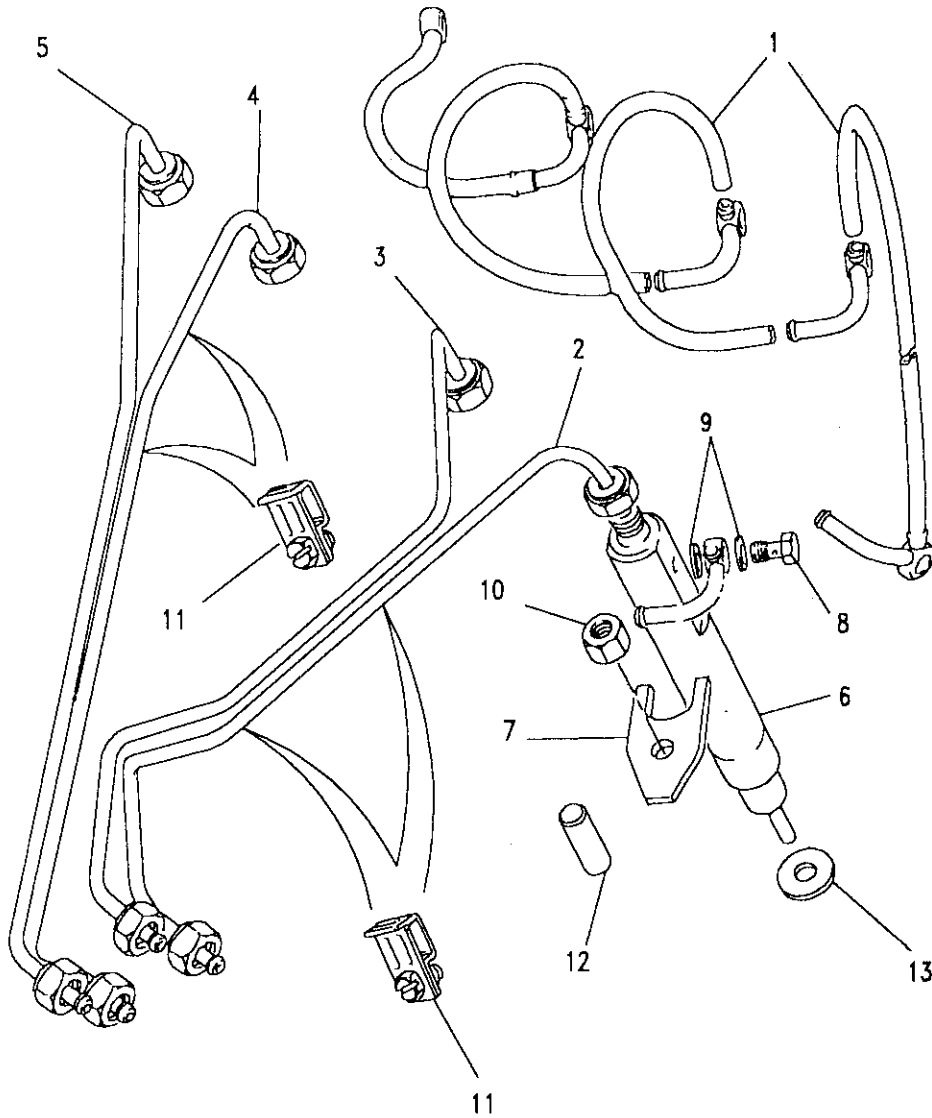


**Model** DEFENDER 110 1987 onwards  
**Page** AFBMKE1A

**ENGINE - INJECTORS AND PIPES - 200 TDI**

III. Part No.	Description	Qty	Remarks
1	ERR3652	1	Spill return assembly
2	STC793	1	Pipe-injectors No.1
3	STC794	1	Pipe-injectors No.2
4	STC795	1	Pipe-injectors No.3
5	STC796	1	Pipe-injectors No.4
6	ETC8412	4	Injectors
7	ERR1509	4	Clamp-injectors
8	ERR1200	4	Bolt banjo 6mm
9	ERR1304	8	Washer-copper
10	FN108041L	1	Nut
11	AEU2129L	4	Clip-2 pipes
12	ETC8470	4	Dowel-injector clamp
13	ERR4621	1	Washer-sealing injector

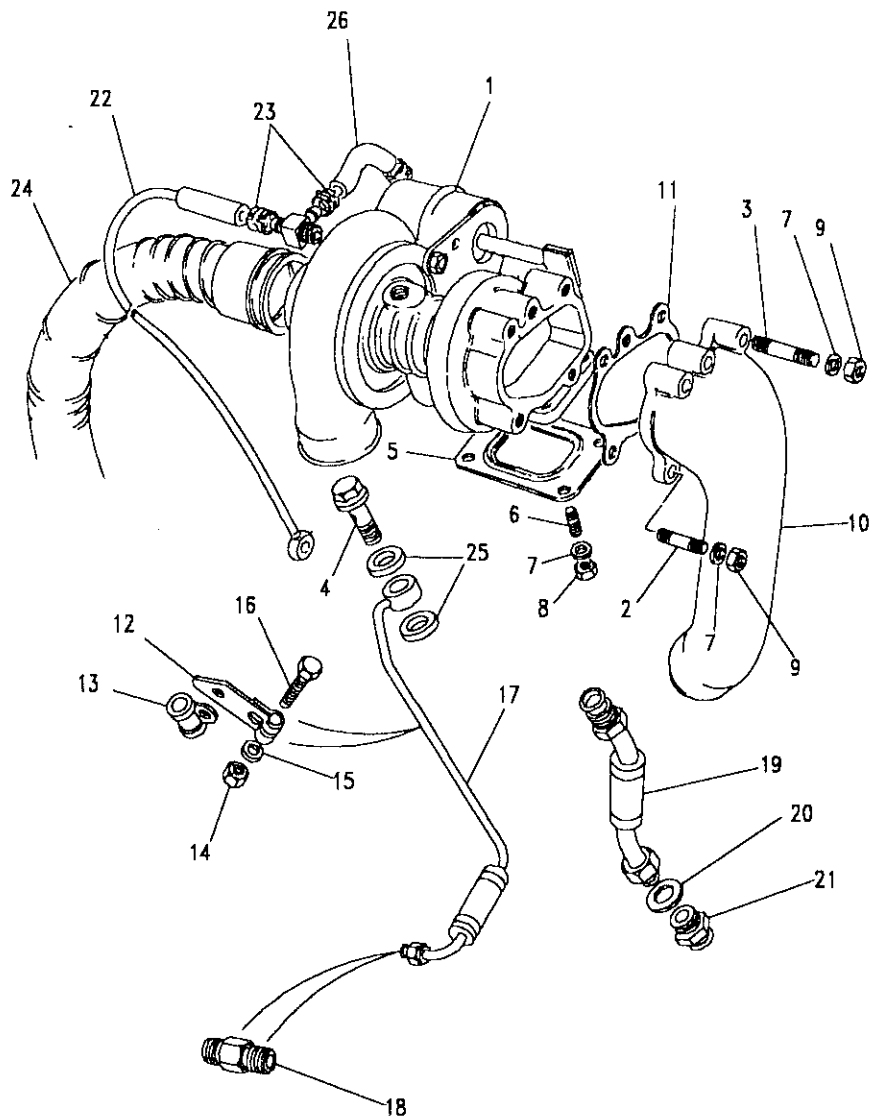
Note(1) Part of gasket kit STC362



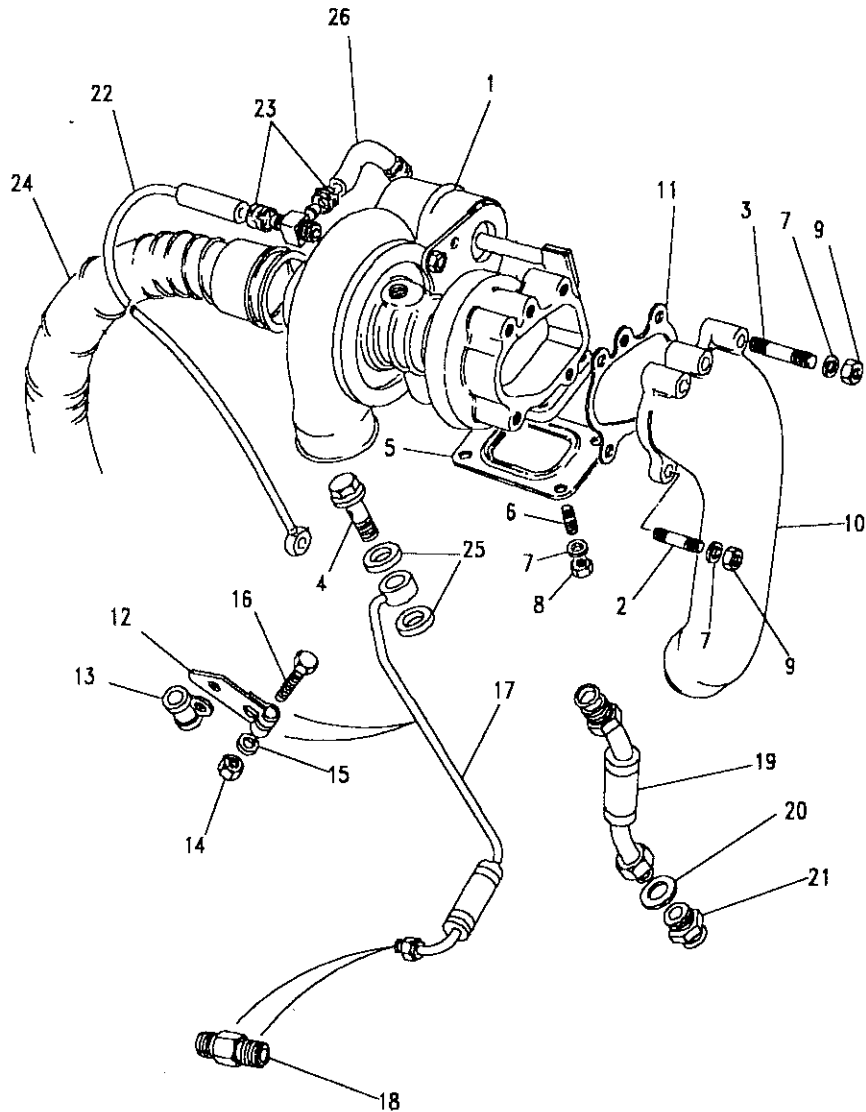
Model DEFENDER 110 1987 onwards

Page AFBMLA1A

ENGINE - TURBO CHARGER - 200 TDI



III. Part No.	Description	Qty	Remarks	
1	ETC8751	1	Turbo charger	
	ETC8751E	1	Turbo charger-exchange	
	STC960	1	Actuator	
2	RTC6094	1	Stud M8x32	
3	RTC6093	4	Stud M8x48	
4	ERR1125	1	Bolt-banjo-oil feed	
5	ETC5710	1	Gasket-turbo to exh/man	Note(1)
6	ERR551	4	Stud	
7	WA108051L	9	Washer M8	
8	ETC7184	4	Nut	
9	NH108065L	5	Nut M8	
10	ETC7058	1	Elbow-exhaust outlet	
11	ETC5898	1	Gasket-turbo to elbow out	Note(1)
12	ETC7351	1	Bracket-oil feed	
13	ETC8843	1	Clip cable	
14	NH105041L	1	Nut	
15	WA105001L	1	Washer	



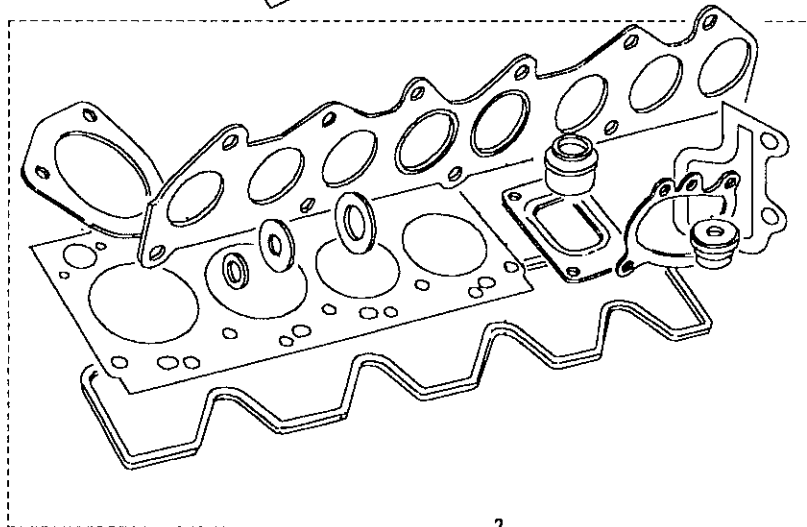
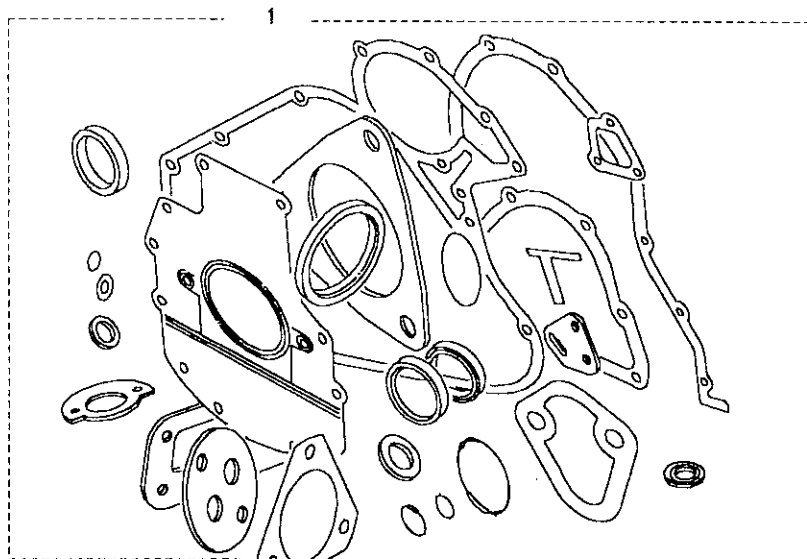
**Model** DEFENDER 110 1987 onwards  
**Page** AFBMLA1A

**ENGINE - TURBO CHARGER - 200 TDI**

III. Part No.	Description	Qty	Remarks
16 SH105251L	Screw	1	
17 ERR333	Pipe oil feed	1	UptoJAN1993
ERR3495	Pipe oil inlet	1	FromJAN1993
18 ETC8820	Adaptor oil feed	1	
19 ERR334	Pipe oil drain	1	UptoJAN1993
ERR3494	Pipe oil drain	1	FromJAN1993
20 ERR896	Washer-adaptor-oil drain	1	Note(1)
21 ERR335	Adaptor-oil drain	1	
22 ERR1458	Pipe-turbo to Inj/pump	1	
23 UKC3803L	Clamp-hose	2	
24 ESR415	Hose-turbo to cleaner	1	
25 FRC4808	Washer-sealing	2	
26 RTC5099	Hose-turbo-actuator	1	)
STC1896	Hose-turbo-actuator	1	)Note(2)

Note(1)  
 Note(2)

Part of gasket kit STC362  
 Alternatives, RTC5099 is a 90 degree formed hose 60mm long and  
 STC1896 is a loose hose 233mm long.



**Model** DEFENDER 110 1987 onwards  
**Page** AFBMMA1A

**ENGINE - GASKET KITS - 200 TDI**

III. Part No.	Description	Qty	Remarks
1 STC363	Kit gasket overhaul	1	
STC1557	Kit gasket overhaul	1	Asbestos free
STC1172	Kit gasket decarbonising	1	Note(1)

Note(1) Decarbonising gasket kit no longer includes cylinder head gasket. As this is now selective, select appropriate gasket to use in conjunction with the kit.



DEFENDER 110 1987 onwards

199

ENGINE

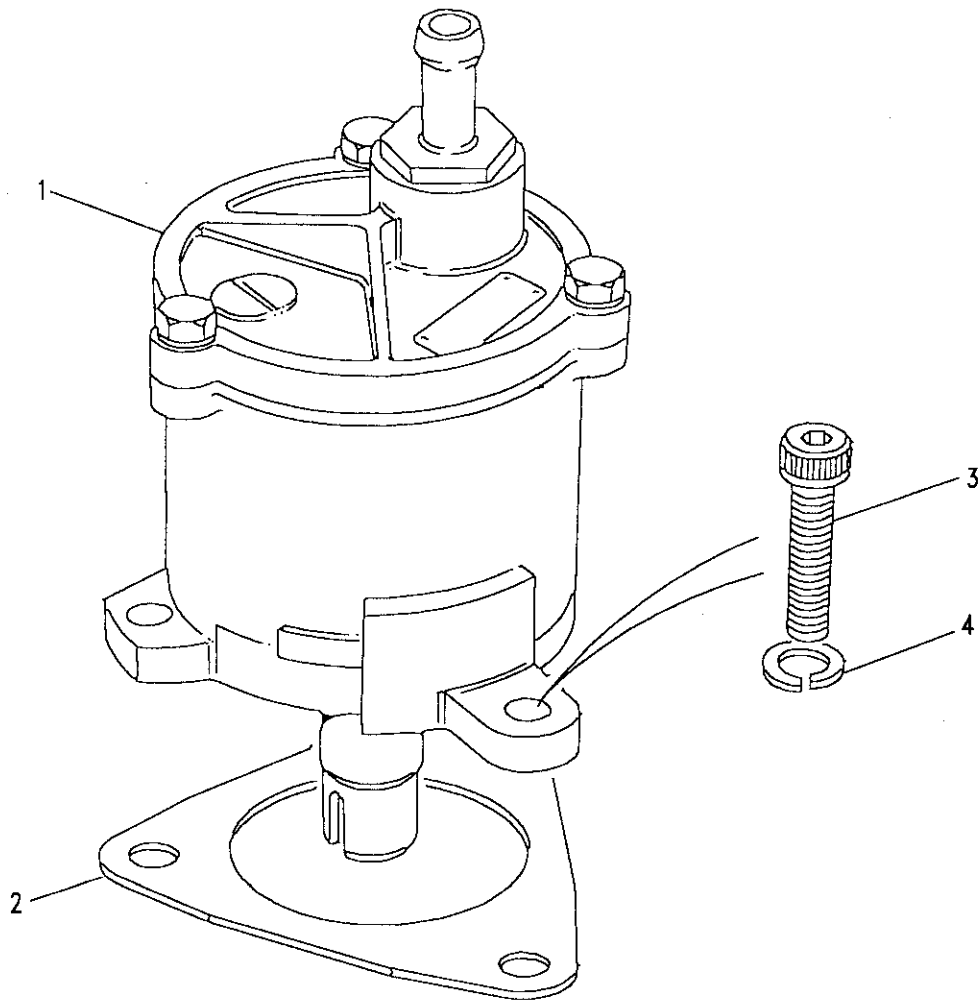
**Model** DEFENDER 110 1987 onwards

**Page** AFBMNA1A

**ENGINE - VACUUM PUMP - 200 TDI**

III. Part No.	Description	Qty	Remarks
1 ERR535	Pump vacuum assembly	1	
2 ETC4616	Gasket	1	Note(1)
3 SS108251L	Bolt M8x25	3	
4 WM600051L	Washer spring	3	

Note(1) Part of gasket kit STC363







Model DEFENDER 110 1987 onwards

Page AFBMNC1A

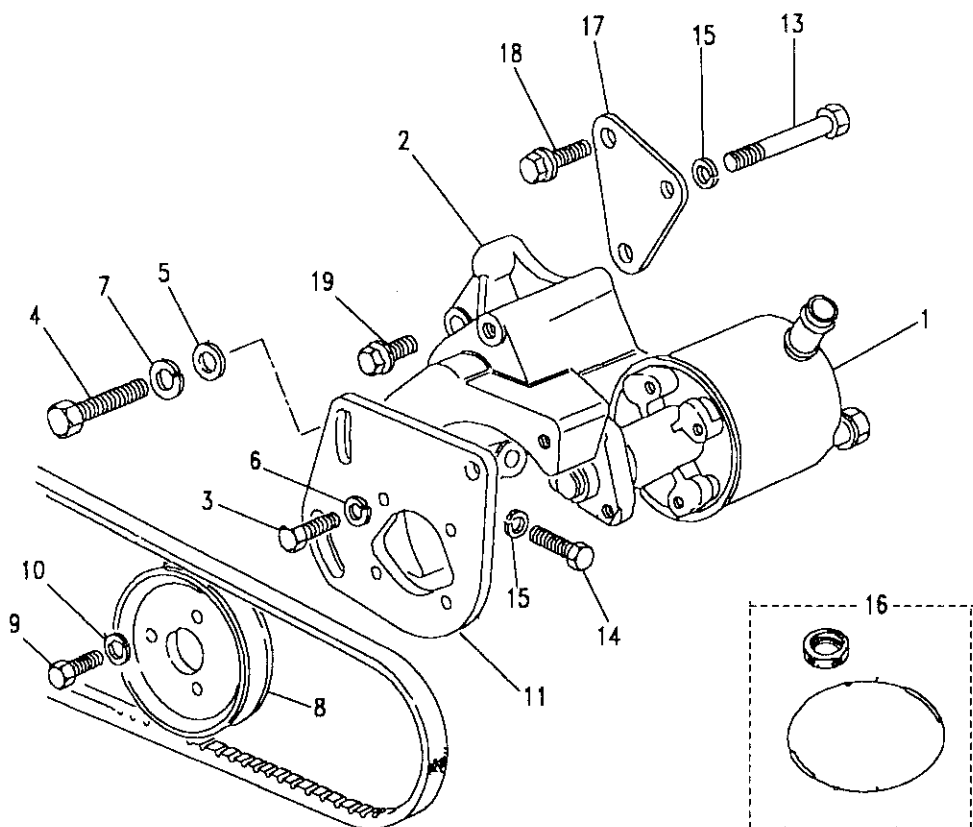
## ENGINE - POWER STEERING PUMP - 200 TDI

## III. Part No.

## Description

## Qty Remarks

1	NTC8287	Pump power steering	1	Upto 11L22454A
	NTC9070	Pump power steering	1	From 11L22455A
2	ETC8854	Bracket	1	
3	FS106201L	Screw-pump to bracket	4	
4	SH108251L	Screw-pump to bracket	3	
5	WA108051L	Washer-pump to bracket	2	
6	WL106001L	Washer spring	4	
7	WL108001L	Washer spring	3	
8	ETC5783	Pulley	1	
9	SH108141L	Screw-pulley to pump	3	
10	WL108001L	Washer spring	3	
11	ERR1976	Plate mounting	1	Upto 11L22454A
	ERR2605	Plate mounting	1	From 11L22455A
12	ETC5815	Belt-power steering pump	1	
13	BH108181L	Bolt	1	
14	SH108251L	Screw	2	
	SH108301L	Screw	1	
15	WL108001L	Washer spring	4	
16	RTC5935	Kit seal (NTC8287)	1	
	STC1633	Kit seal (NTC9070)	1	
17	ERR1264	Plate spacer	1	
18	FS108161L	Screw	1	
19	FS108301L	Bolt	1	





DEFENDER 110 1987 onwards

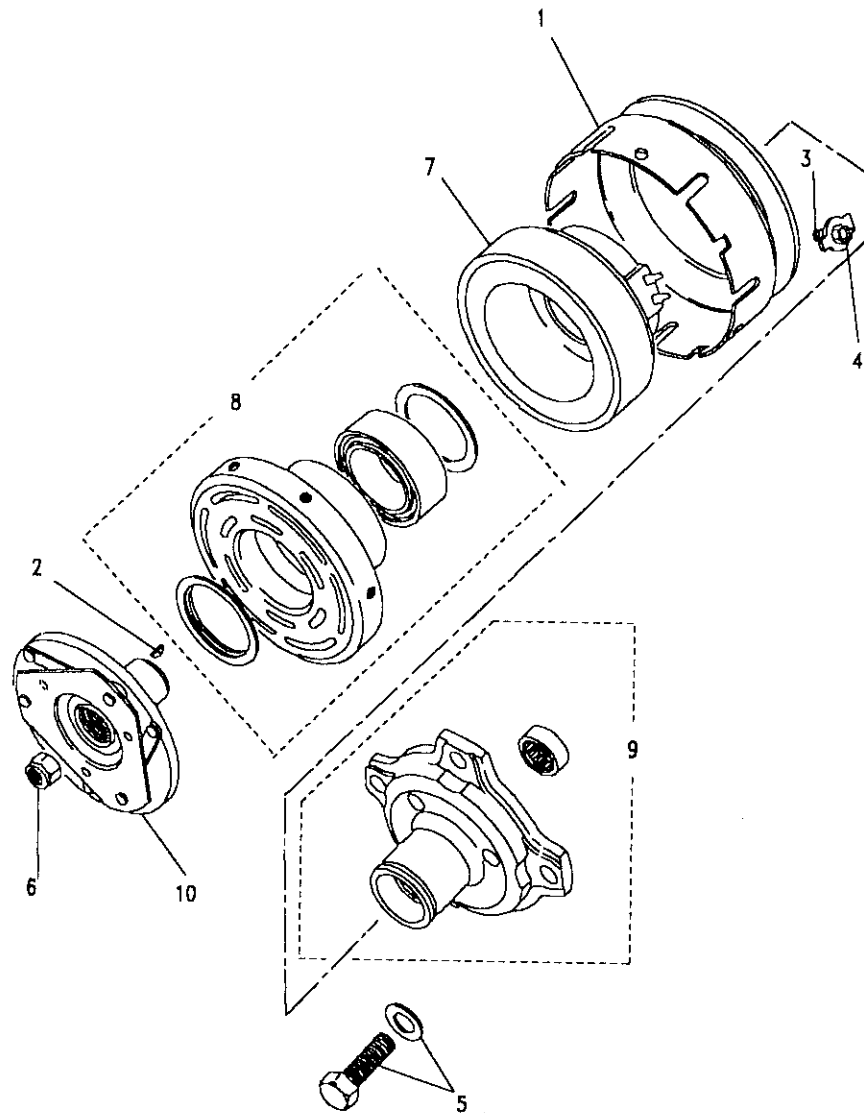
201

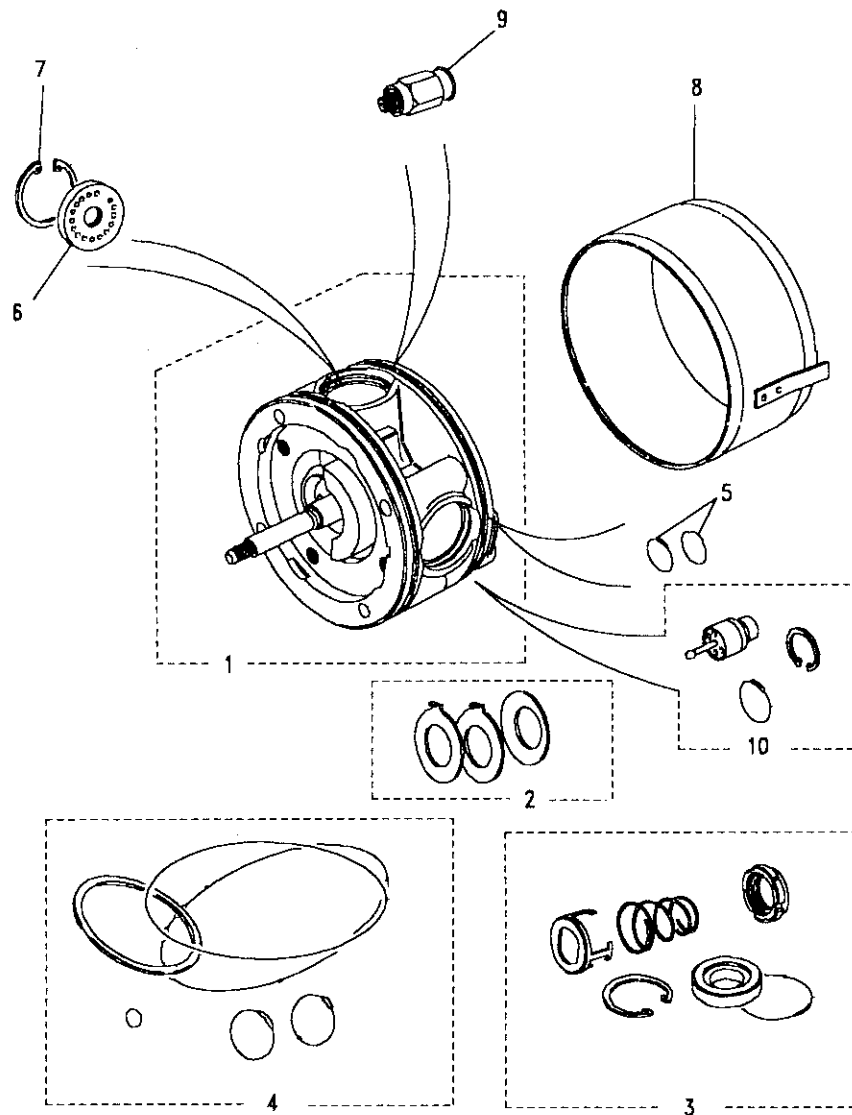
ENGINE

Model DEFENDER 110 1987 onwards  
Page AFBMNE1A

ENGINE - AIRCON COMPRESSOR - 200 TDI

III. Part No.	Description	Qty	Remarks
ERC6480	Compressor assembly	1	
1 AEU1782	Pulley rim	1	
2 AEU1694	Key-clutch hub	1	
3 AEU1780	Screw-rim mounting	6	
4 AEU1779	Washer-rim mounting	6	
5 AEU1784	Screw and washer Assy	4	
6 AEU1775	Nut-shaft	1	
7 AEU1778	Coil and housing assy	1	
8 AEU1777	Rotor and bearing assy	1	
9 AEU1785	Head front/bearing assy	1	
10 AEU1776	Clutch assembly	1	





Model DEFENDER 110 1987 onwards  
 Page AFBMNE2A

ENGINE - AIRCON COMPRESSOR - 200 TDI

III. Part No.	Description	Qty	Remarks
ERC6480	Compressor assembly	1	
1 AEU1792	Kit-cylinder/shaft assy	1	
2 AEU1791	Kit-thrust washers	1	
3 AEU1790	Kit-shaft seal	1	
4 AEU1192	Kit-'O' rings	1	
5 AEU1690	'O' ring	2	
6 AEU1788	Plate valve assembly	4	
7 AEU1787	Ring retaining	4	
8 AEU1786	Shell assembly	1	
9 AEU1689	Valve pressure release	1	
10 AEU1688	Kit-superheat switch	1	
ETC4371	Belt-driving	1	
AEU1691	Oil-525 Visco-2pt(1136ml)	A/R	



DEFENDER 110 1987 onwards

203

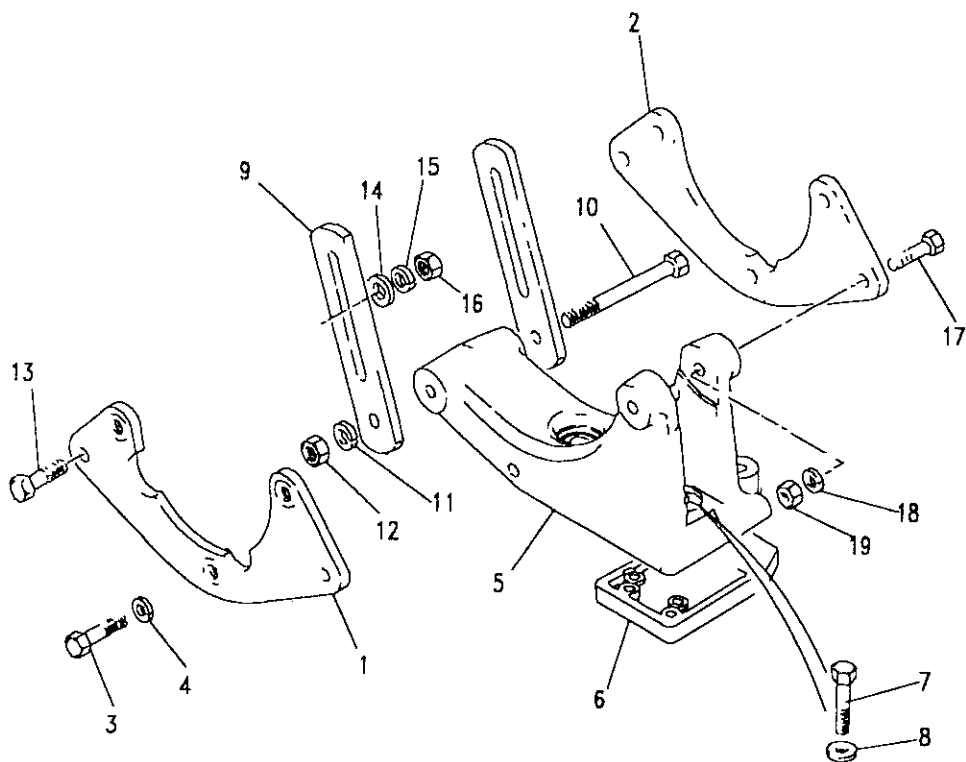
ENGINE

Model DEFENDER 110 1987 onwards

Page AFBMNE3A

ENGINE - COMPRESSOR FIXINGS - 200 TDI

III. Part No.	Description	Qty	Remarks
1	ERC7082	1	Plate mounting-front
2	ERC5152	1	Plate mounting-rear
3	BH110201L	3	Bolt-compressor to plate
4	WL110001L	3	Washer spring
5	ETC4882	1	Bracket-mounting
6	ETC4197	1	Plate adaptor-bracket
7	BH110101L	4	Bolt
8	WA110061L	4	Washer
9	ERC5155	2	Link adjusting
10	BH108181L	1	Bolt
11	WL108001L	1	Washer spring
12	NH108041L	1	Nut
13	SH108251L	2	Screw
14	WA108051L	2	Washer
15	WL108001L	2	Washer spring
16	NH108041L	2	Nut
17	FB108081L	2	Bolt flanged
18	WL108001L	2	Washer spring
19	NH108041L	2	Nut

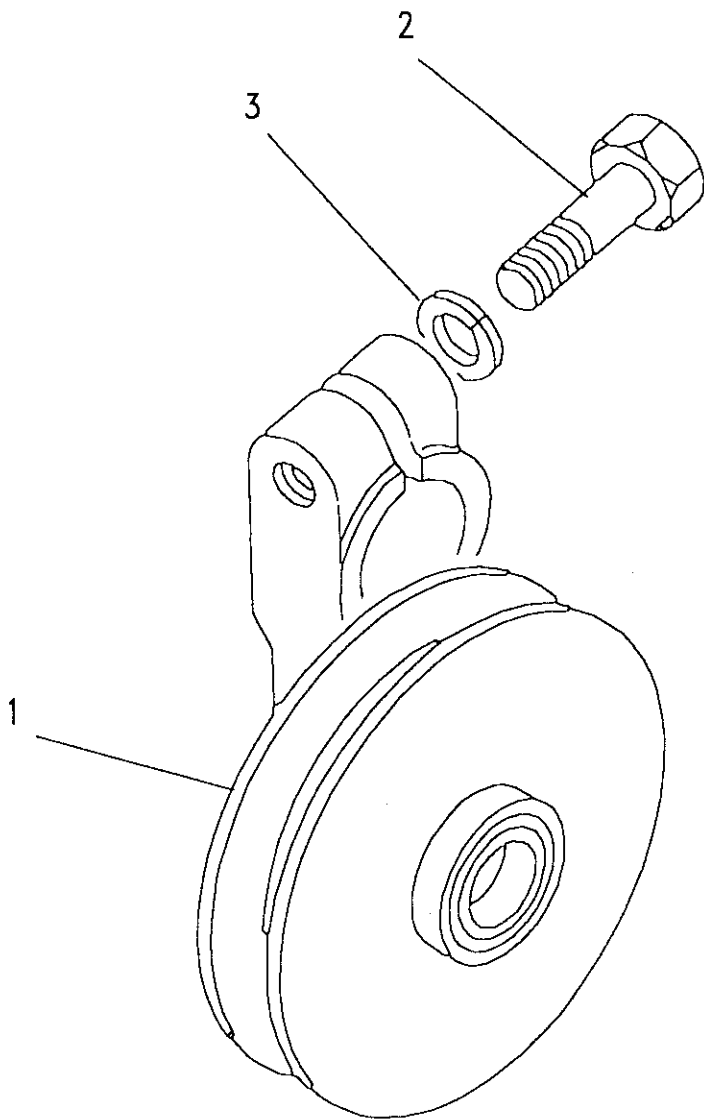




DEFENDER 110 1987 onwards

204

ENGINE



**Model** DEFENDER 110 1987 onwards

**Page** AFBMNE4B

**ENGINE - AIRCON IDLER PULLEY - 200 TDI**

III. Part No.	Description	Qty	Remarks
1 614718	Pulley damper assembly	1	
2 BH605101L	Bolt	1	
3 WM600051L	Washer	1	



Model DEFENDER 110 1987 onwards

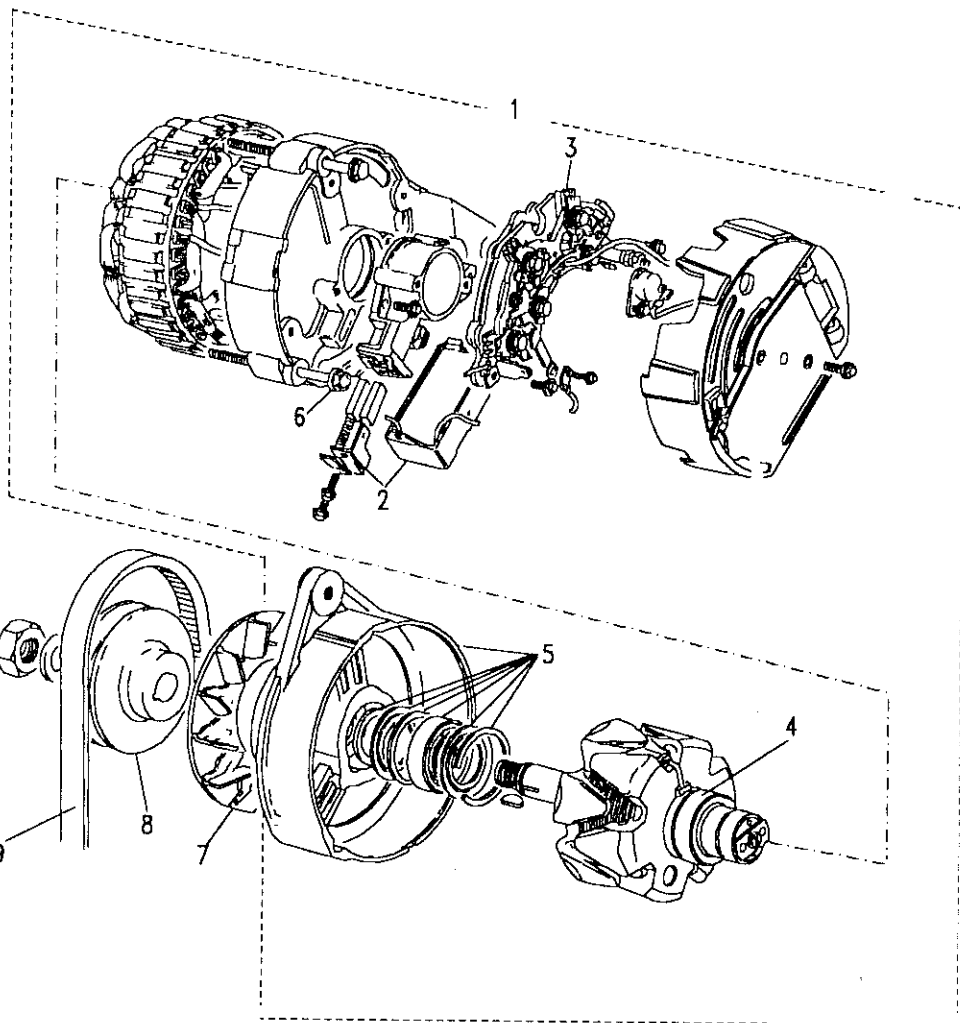
Page AFBMPC1A

ENGINE - ALTERNATOR - 200 TDI

III. Part No.	Description	Qty	Remarks
1	RTC5680N	1	Note(1)
	RTC5680E	1	
	RTC5682N	1	Note(2)
	RTC5682E	1	
2	RTC5670	1	
3	RTC5671	1	
4	RTC5926	1	
5	RTC5687	1	
6	RTC5925	1	
7	AAU2249L	1	
8	RTC5686	1	
9	ETC7939	1	
	RTC5689	1	

Note(1) Lucas number 24220

Note(2) Lucas number 24199

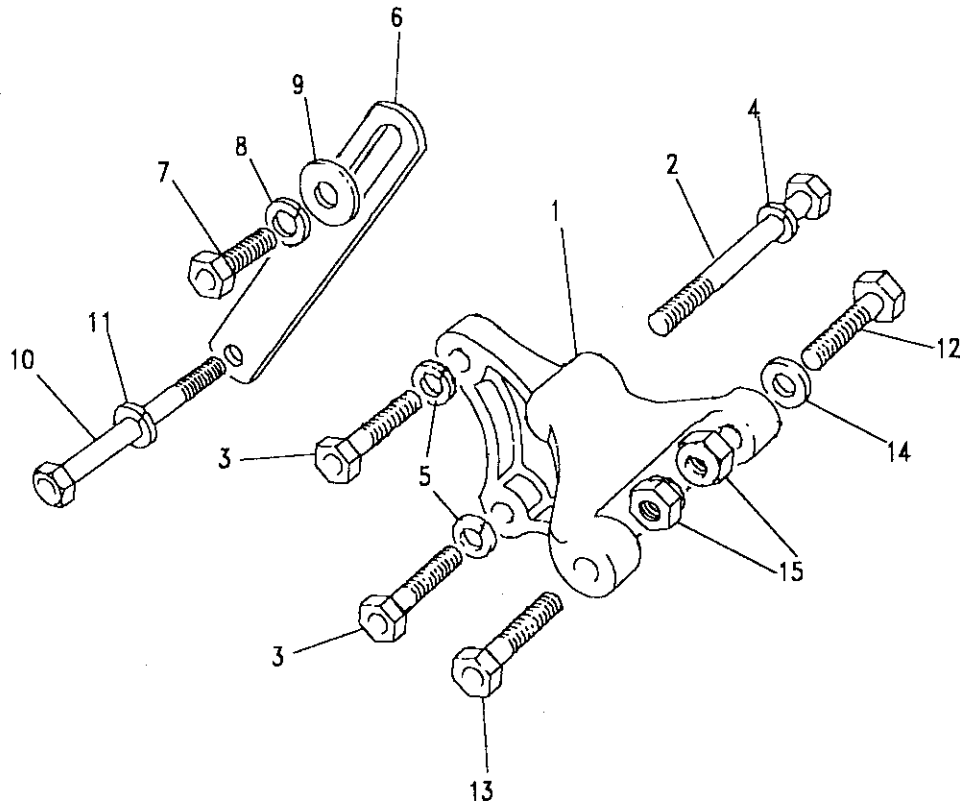


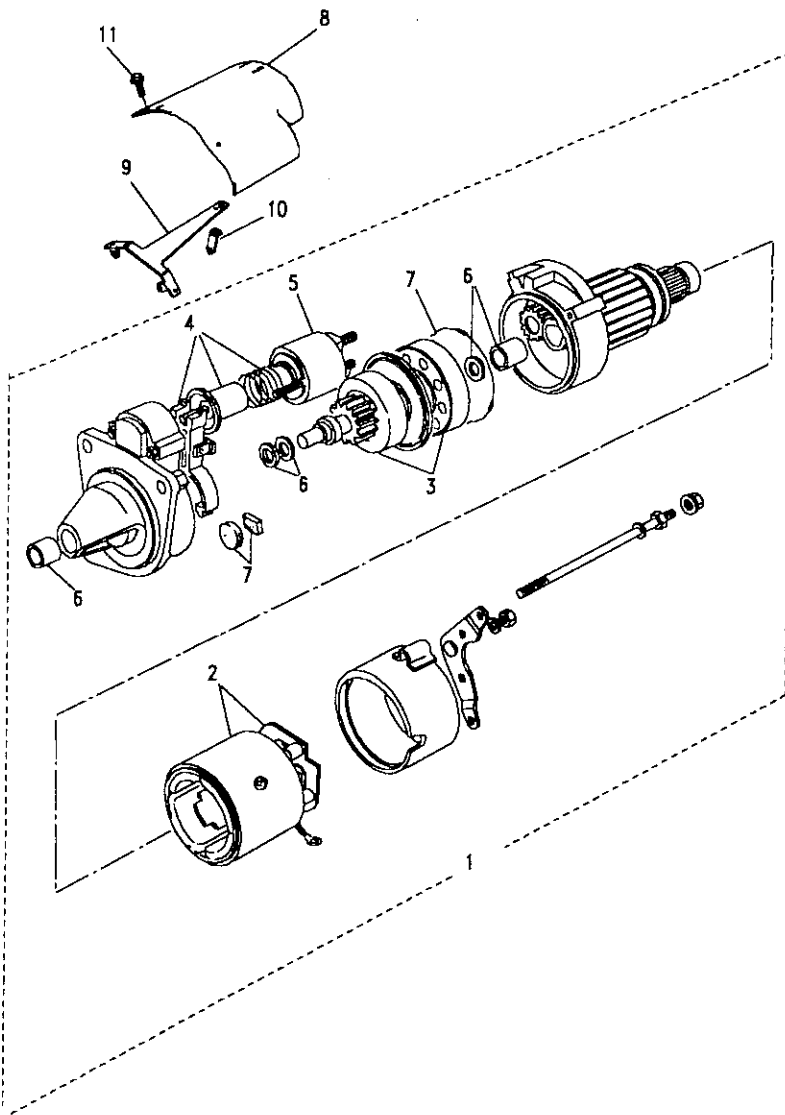


Model DEFENDER 110 1987 onwards  
 Page AFBMPC2A

ENGINE - FIXINGS ALTERNATOR - 200 TDI

III. Part No.	Description	Qty	Remarks
1	ETC4357	1	Bracket mounting
2	BH108161L	1	Bolt-bracket to block
3	SH110301L	2	Bolt-bracket to block
4	WL108001L	1	Washer spring
5	WL108001L	2	Washer spring
6	ERC6266	1	Link-adjusting
7	FS108201L	1	Screw-link to alternator
8	WL108001L	1	Washer spring
9	2266L	1	Washer
10	ERC8964	1	Bolt-link to block
11	WL108001L	1	Washer spring
12	FB108081L	1	Bolt-bracket to block
13	BH108091L	1	Bolt-bracket to block
	ERC7974	1	Spacer
14	WC108051L	1	Washer
15	NY108041L	2	Nut nyloc





**Model** DEFENDER 110 1987 onwards

**Page** AFBMPE1A

**ENGINE - STARTER MOTOR - 200 TDI**

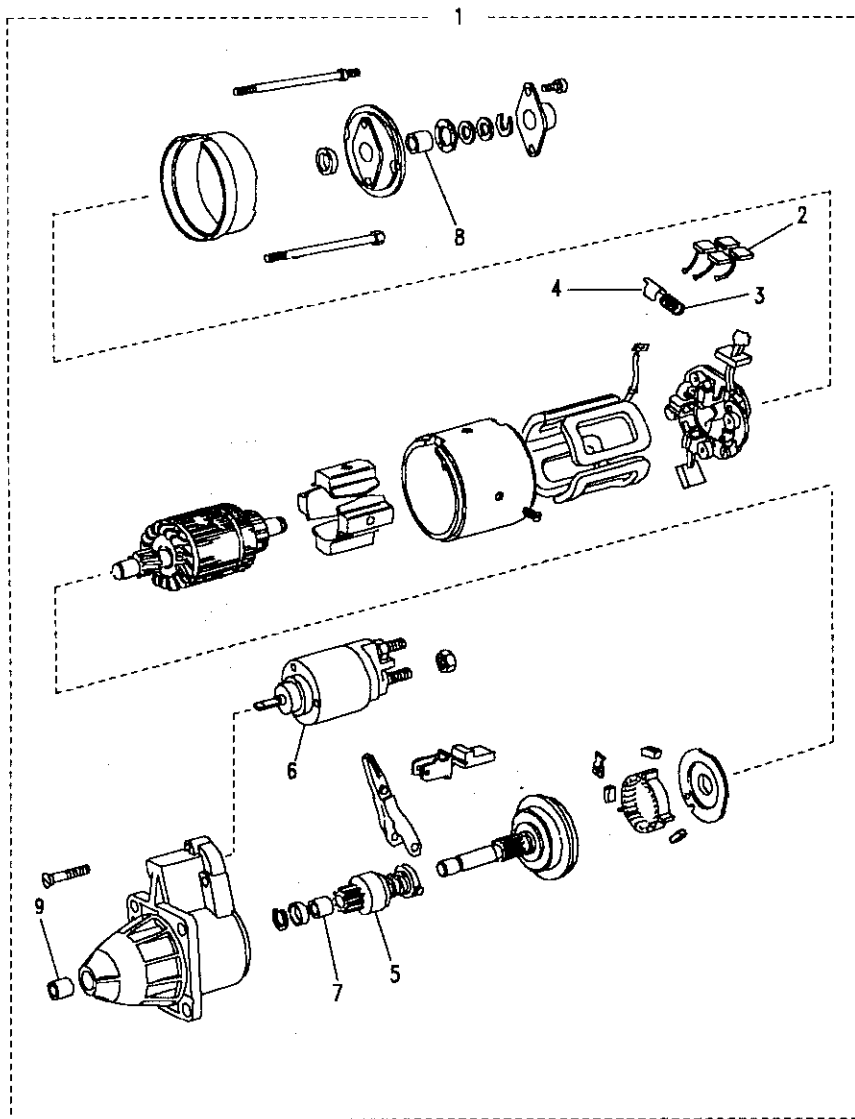
Ill. Part No.	Description	Qty	Remarks
<b>Used up to 11L24823A</b>			
1	PRC5109N PRC5109E	1	Starter motor
2	RTC4981	1	Starter motor-exchange
3	RTC4982	1	Inductor-brush holder
4	RTC4979	1	Pinion drive assembly
5	RTC4978	1	Lever shift assembly
6	RTC4980	1	Solenoid
7	RTC4983 PRC5538	1	Kit repair
		1	Kit gasket
		1	Cable earth
<b>Starter Heatshield</b>			
8	ERR806	1	Heatshield starter motor
9	ERR807	1	Bracket
10	ERR808	1	Bracket
11	FS105107	4	Screw
<b>Starter To Flywheel Housing</b>			
	FS110301L	1	Screw
	FN110041L	2	Nut flanged
	WL110001L	3	Washer spring
	BH110091L	1	Bolt-starter to flywheel



Model DEFENDER 110 1987 onwards  
 Page AFBMPE2A

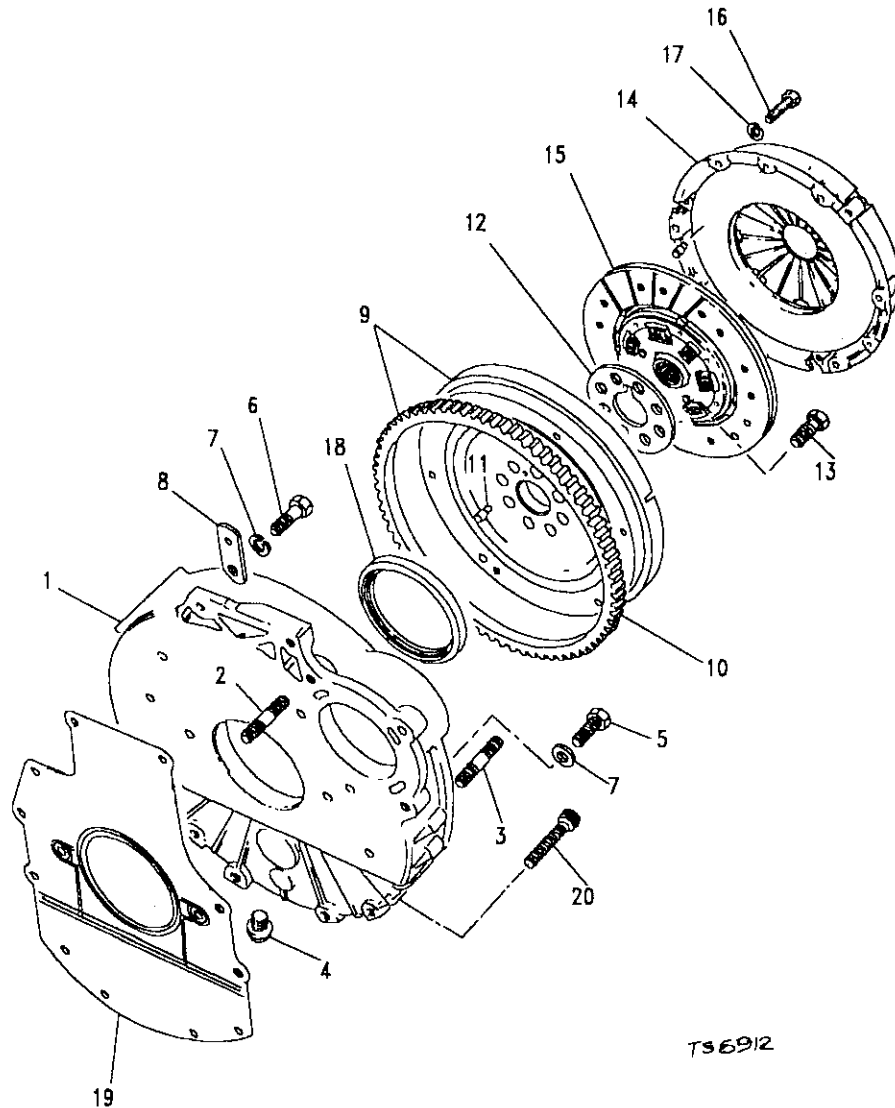
ENGINE - STARTER MOTOR - 200 TDI

Ill. Part No.	Description	Qty	Remarks
<b>Used from 11L24824A</b>			
1	ERR5009	1	Starter motor
2	STC1246	1	Brush set
3	STC1254	4	Spring compression
4	STC1247	4	Guide brush
5	STC1244	1	Drive assembly
6	STC1245	1	Solenoid
7	STC1250	2	Bush
8	STC1251	1	Bush
9	STC1255	1	Bush



**Model** DEFENDER 110 1987 onwards  
**Page** AFBMRA1A

**ENGINE - FLYWHEEL & CLUTCH - 200 TDI**



III. Part No.	Description	Qty	Remarks
1	ERR1330	1	Upto 60160A
	ERR3924	1	From 60161A
2	TE110061L	13	
3	ERC9240	1	
4	ERC7295	1	
5	FS110301L	6	
6	BH110091L	2	
7	WA110061L	6	
8	ERC9404	2	
9	ERR719	1	
10	568431	1	
11	502116	3	
12	ERC4658	1	Note(2)
13	ERC6551	8	Note(2)
	ERR4574	8	Note(2)
14	FTC575	1	
15	FTC2149	1	
	STC8358	1	
	FTC575	1	
	FTC2149	1	
	FRC9568	1	
	FTC1994	1	
16	SX108201L	6	
17	WL108001L	6	
18	ERR1535	1	Note(1)
19	ERR1440	1	Note(1)
20	SS110801	4	

Note(1)  
Note(2)

Part of gasket kit STC363  
 Plate deleted from June 93. If plate is not fitted use ERR4574

T36912



## MASTER INDEX

	PAGES
INTRODUCTION PAGES	1 - 7
ALPHABETICAL INDEX	8 - 16
ENGINE	17 - 66
ENGINE	67 - 119
ENGINE	120 - 166
ENGINE	167 - 209
ENGINE	210 - 245
ENGINE	246 - 299
GEARBOX	300 - 326
GEARBOX	327 - 344
GEARBOX	345 - 359
TRANSFER BOX	360 - 378
TRANSFER BOX	379 - 397
AXLES AND SUSPENSION	398 - 444
STEERING	445 - 471
VEHICLE AND ENGINE CONTROLS	472 - 486
BRAKES	487 - 517
FUEL SYSTEM AND AIR CLEANER	518 - 579
EXHAUST SYSTEM	580 - 593
COOLING/HEATING	594 - 637
COOLING/HEATING	638 - 641
COOLING/HEATING	642 - 649
COOLING/HEATING	650 - 655
COOLING/HEATING	656 - 666
BODY ELECTRICAL	667 - 740
BODY AND CHASSIS	741 - 909
INTERIOR TRIM	910 - 955
SEATS	956 - 1036
STOWAGE	1037 - 1046
ACCESSORIES - PAINTS	1047 - 1074
NUMERICAL INDEX	1076 - 1151

## GROUP B

## ENGINE

## ENGINE

ENGINE STRIPPED - 300 TDI	211
SHORT ENGINE - 300TDI	212
CYLINDER BLOCK - 300TDI	213
JET ADAPTORS - 300TDI	214
CRANKSHAFT - 300TDI	215
PISTON 216 RINGS - 300TDI	216
SUMP - 300TDI	217
MOUNTINGS - DIESEL 300TDI	218
FRONT COVER - 300TDI	219 - 220
TIMING BELT - 300 TDI	221
WATER PUMP - 300TDI	222
COOLING FAN - 300 TDI	223
OIL FILTER - 300TDI	224
CYLINDER HEAD - 300TDI	225 - 226
ROCKER SHAFT - 300TDI	227
VALVE AND TAPPETS - 300TDI	228
ROCKER COVER - 300TDI	229
CYCLONE BREATHER - 300TDI	230
CAMSHAFT - 300TDI	231
THERMOSTAT - 300TDI	232
MANIFOLDS - 300 TDI	233
EXHAUST GAS RECIRCULATING - 300TDI	234
FUEL LIFT PUMP - 300TDI	235
INJECTION PUMP - 300TDI	236
INJECTOR AND PIPES - 300TDI	237
TURBOCHARGER - 300TDI	238
VACUUM PUMP - 300 TDI	239
POWER STEERING PUMP - 300 TDI	240
AIR CONDITIONING COMPRESSOR - 300TDI	241
AIR CONDITIONING IDLERS - 300TDI	242
ALTERNATOR - 300TDI	243
STARTER MOTOR - 300TDI	244
FLYWHEEL & CLUTCH - 300 TDI	245





DEFENDER 110 1987 onwards

211

ENGINE

**Model** DEFENDER 110 1987 onwards  
**Page** AFBNAC1A

**ENGINE - ENGINE STRIPPED - 300 TDI**

III. Part No.	Description	Qty	Remarks
1 STC1736N	Engine stripped assembly	1	
Note(1)	Engine less ancillary equipment		





DEFENDER 110 1987 onwards

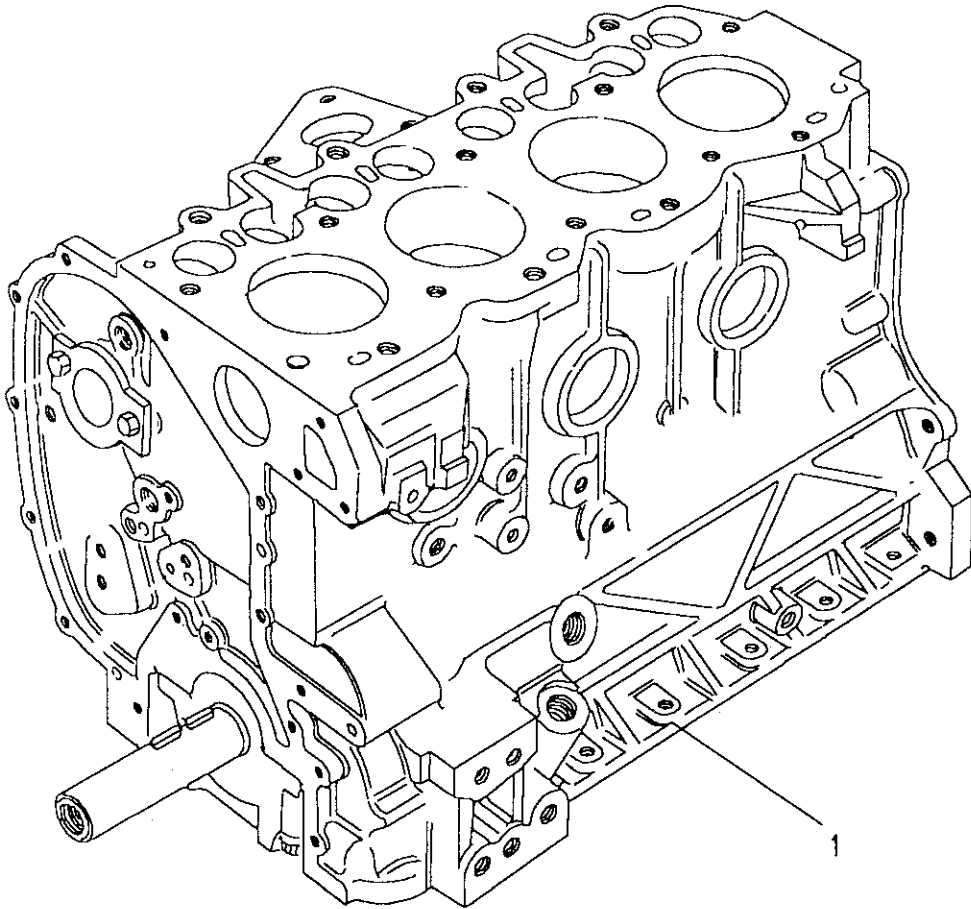
212

ENGINE

**Model** DEFENDER 110 1987 onwards  
**Page** AFBNAE1A

**ENGINE - SHORT ENGINE - 300TDI**

III. Part No.	Description	Qty	Remarks
1 STC1675	Engine short assembly	1	





Model DEFENDER 110 1987 onwards

Page AFBNBA1A

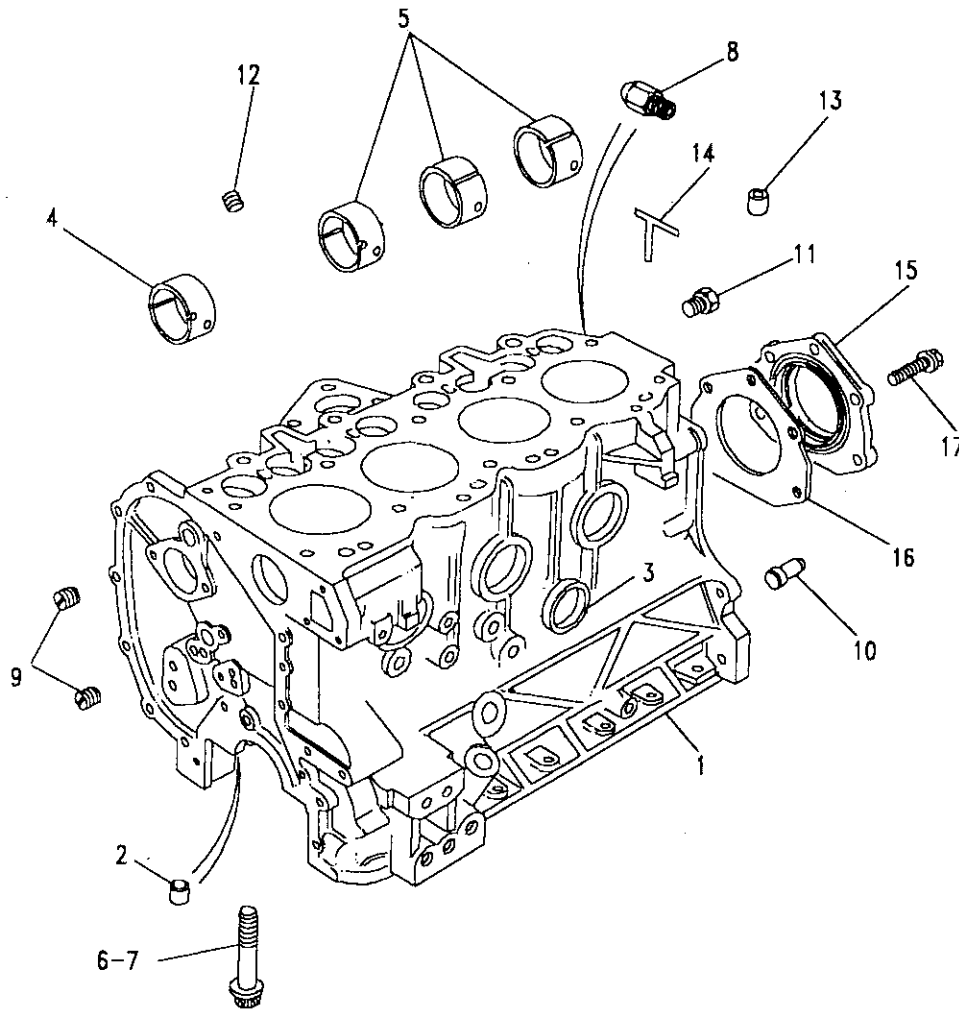
## ENGINE - CYLINDER BLOCK - 300TDI

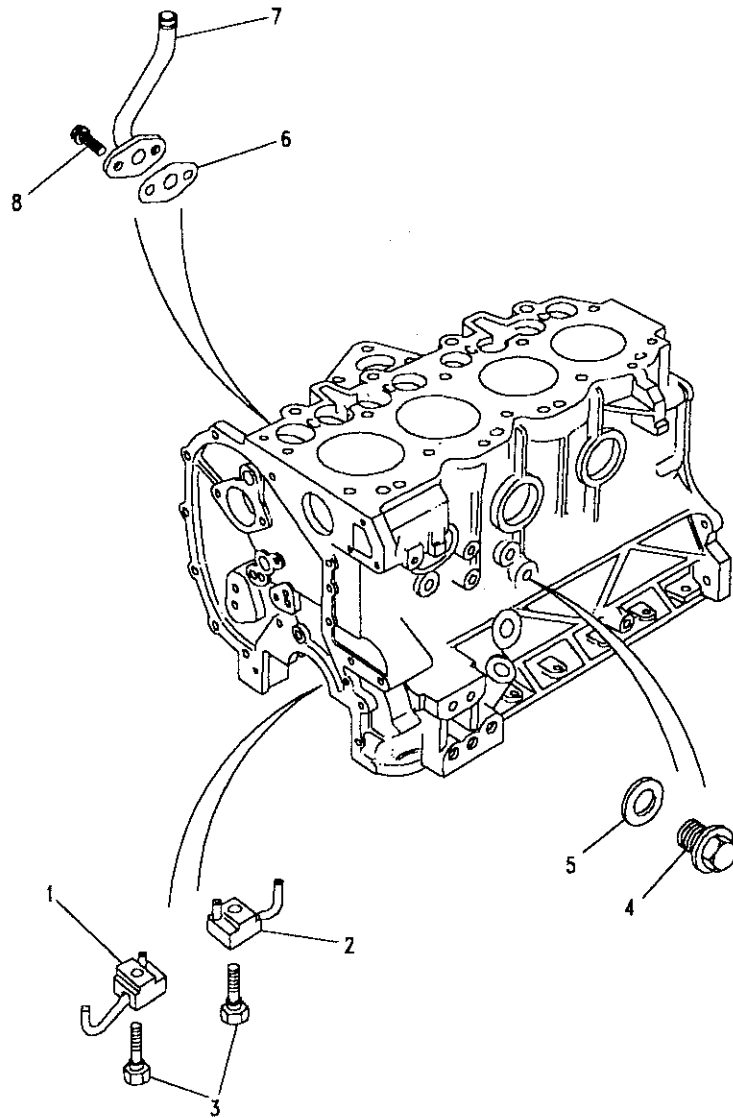
## III. Part No.

## Description

## Qty Remarks

1	ERR1919	Cylinder block assembly	1
2	501593	Dowel bearing caps	10
3	ERC4996	Cup plug	6
4	ETC8442	Bearing cam	1
5	90519055	Bearing cam	3
6	ETC8074	Bolt bearing cap	8
7	ERR3419	Bolt bearing cam	2
8	ERR2767	Jet oil camshaft	1
9	247127	Plug oil gallery	2
10	FRC2482	Dowel flywheel housing	2
11	ETC4922	Plug gallery pipe	2
12	ERR5034	Plug camshaft oil feed	3
13	ETC8352	Ring dowel head/block	2
14	ERR913	Packing strip	2
15	ERR4179	Oil seal rear	1
16	ERR4861	Gasket rear oil seal	1
17	FS108251L	Screw flange	5





Model DEFENDER 110 1987 onwards  
 Page AFBNBA2A

ENGINE - JET ADAPTORS - 300TDI

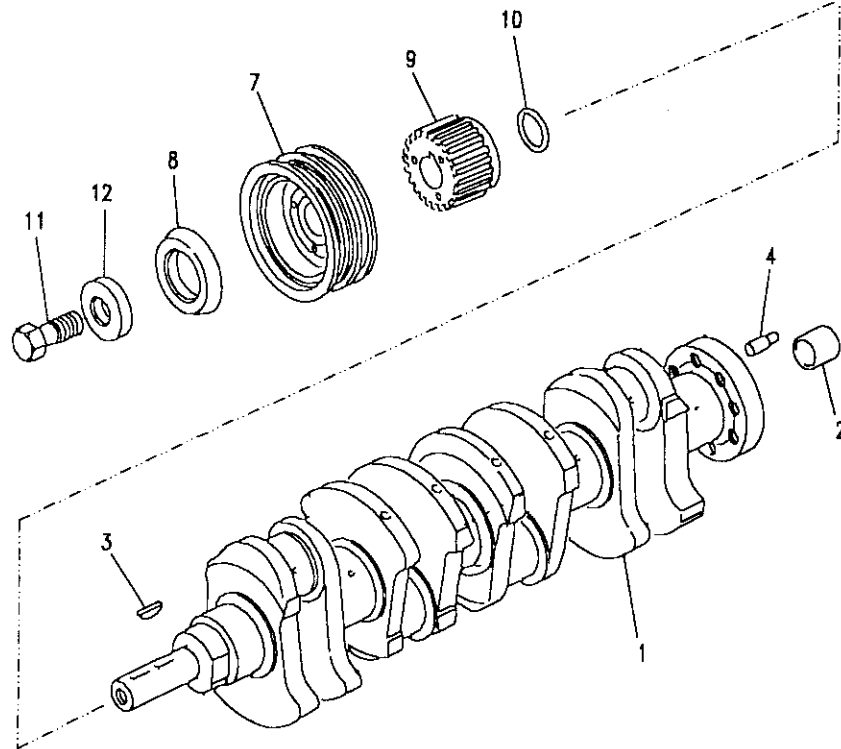
III. Part No.	Description	Qty	Remarks
1 ETC6531	Oil jet assy No1 & 3 cyl	2	
2 ETC6532	Oil jet assy No2 & 4 cyl	2	
3 ETC5592	Valve relief	4	
4 ERC9410	Plug drain	1	
5 AFU1882L	Washer joint	1	
6 ERR1094	Drain pipe oil	1	
7 ERR1653	Gasket drain pipe	1	
8 FS108201	Screw flange	2	



DEFENDER 110 1987 onwards

215

ENGINE



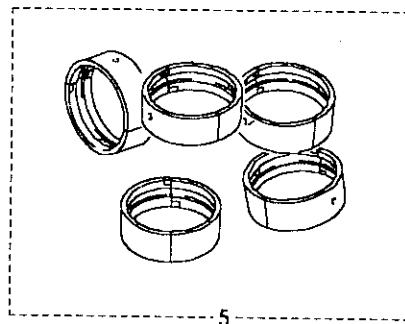
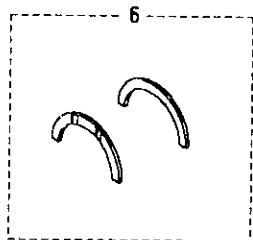
**Model** DEFENDER 110 1987 onwards  
**Page** AFBNCA1A

**ENGINE - CRANKSHAFT - 300TDI**

III. Part No.	Description	Qty	Remarks
1 ERR2112	Crankshaft	1	
2 8566L	Bush	1	
3 ERR3987	Key	2	
4 ERR1630	Dowel	1	
5 RTC4783	Bearing kit main standard	1	
RTC478310	Bearing kit main 010 u/s	1	

**Kit thrust washer - pairs**

6 RTC2825	Standard	A/R
538131	0.0025 oversize	A/R
538132	0.0050 oversize	A/R
7 ERR2220	Damper	1
8 ERR2100	Flinger	1
9 ERR4707	Pulley crankshaft timing	1
10 ERR4710	O ring	1
11 ERR5087	Bolt crankshaft	1
12 ERR1564	Thrust washer	1







Model DEFENDER 110 1987 onwards

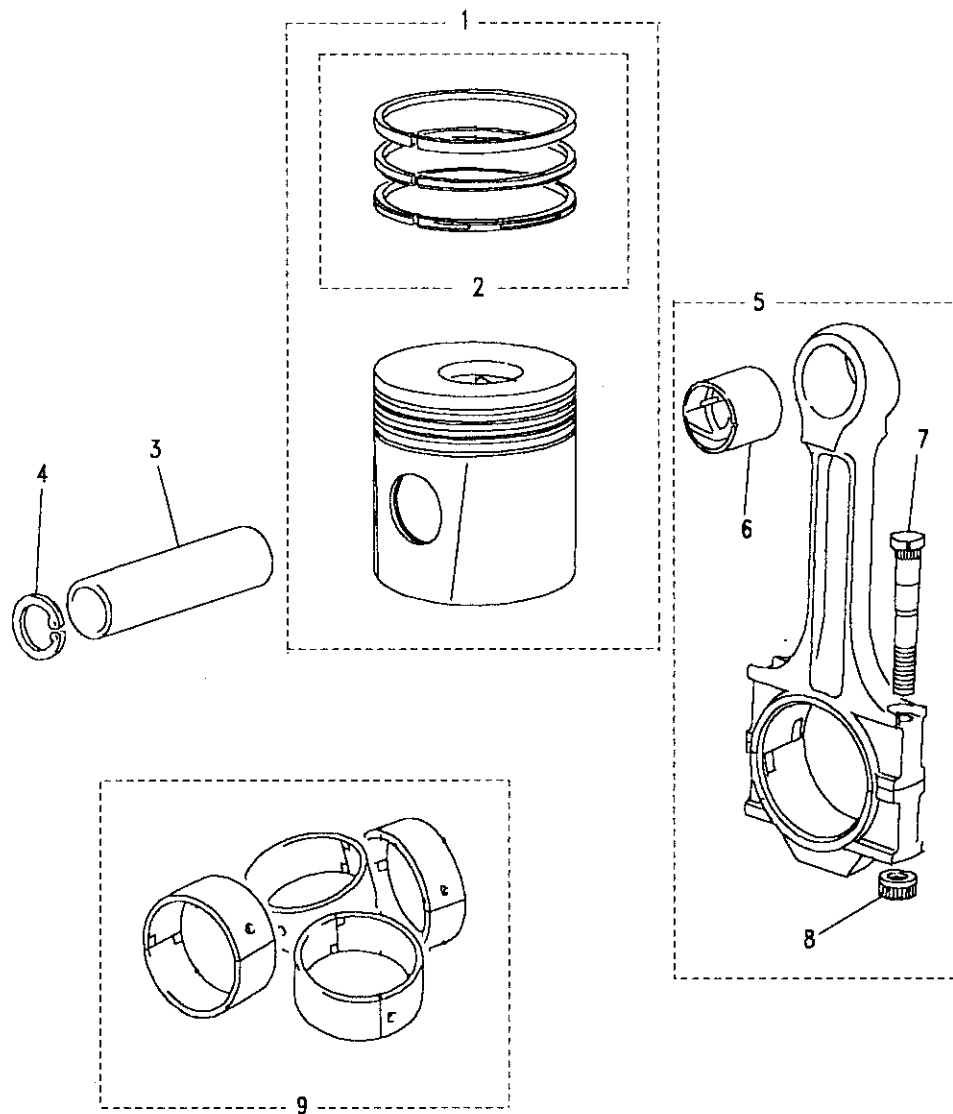
Page AFBNCC1A

ENGINE - PISTON & RINGS - 300TDI

Ill. Part No.	Description	Qty	Remarks
1	ERR2410	4	Piston assembly standard
2	STC958	4	Kit piston rings
3	ERR703	4	Gudgeon pin
4	266945	8	Circlip
5	ERR2418	4	Con rod assembly
6	ERR2419	4	Bush
7	ETC7357	8	Bolt
8	ETC8191	8	Nut

Bearing kit - conn rod - engine set

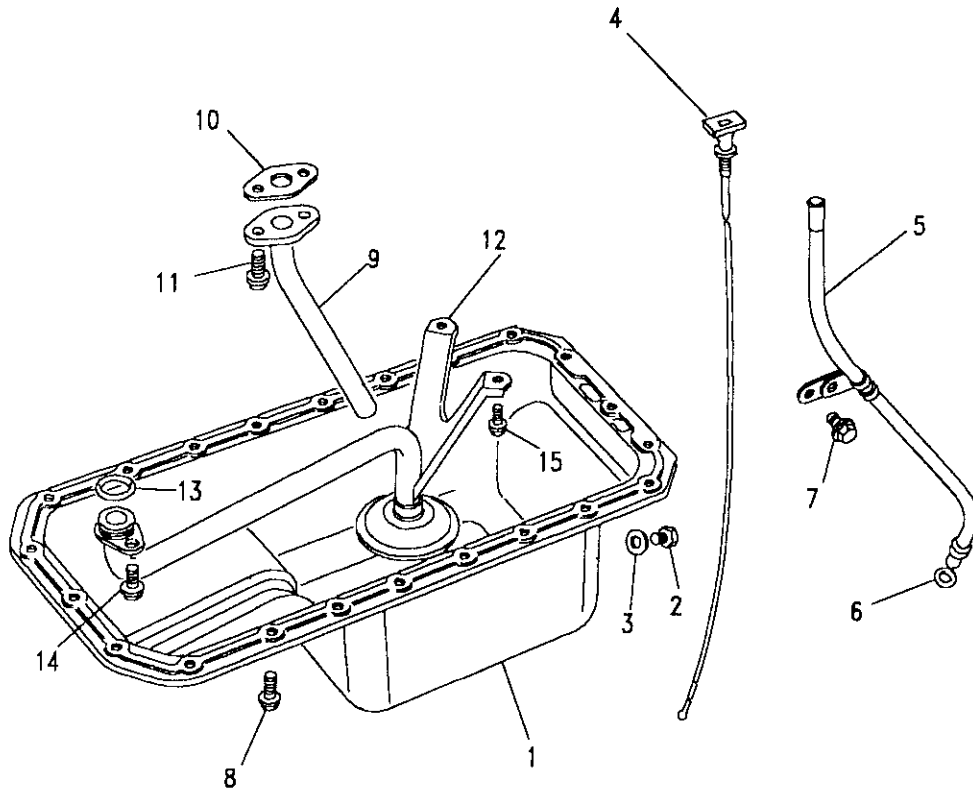
9	RTC2993	A/R	Standard
	RTC299310	A/R	0.010 oversize





Model DEFENDER 110 1987 onwards  
Page AFBNDA1A

ENGINE - SUMP - 300TDI



III. Part No.	Description	Qty	Remarks
1	ERR4696 Sump	1	
2	UAM2957 Plug	1	
3	UAM2857L Washer joint	1	
4	ERR3809 Rod oil level	1	
5	ERR4697 Tube dipstick	1	
6	ERR3683 Ring sealing	1	
7	FS108161L Screw flange	1	
8	FS108161L Screw flange	22	
9	ERR3633 Pipe oil drain	1	
10	ERR1653 Gasket	1	
11	FS108201 Screw flange	2	
12	ERR3299 Oil pick up assembly	1	
13	ERR3417 O Ring	1	
14	FS108161L Screw flange	1	
15	FS106161 Screw flange	1	

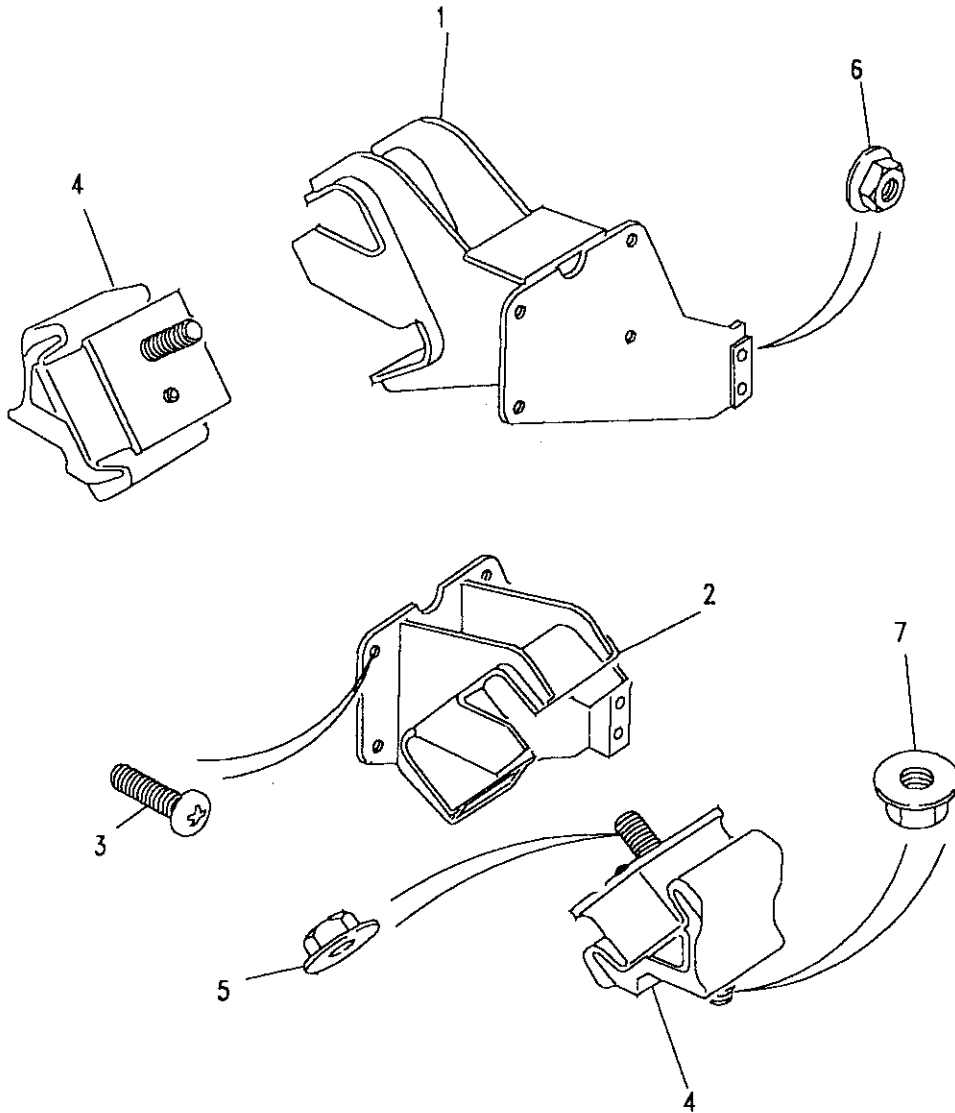




Model DEFENDER 110 1987 onwards  
Page AFBNDC1A

ENGINE - MOUNTINGS - DIESEL 300TDI

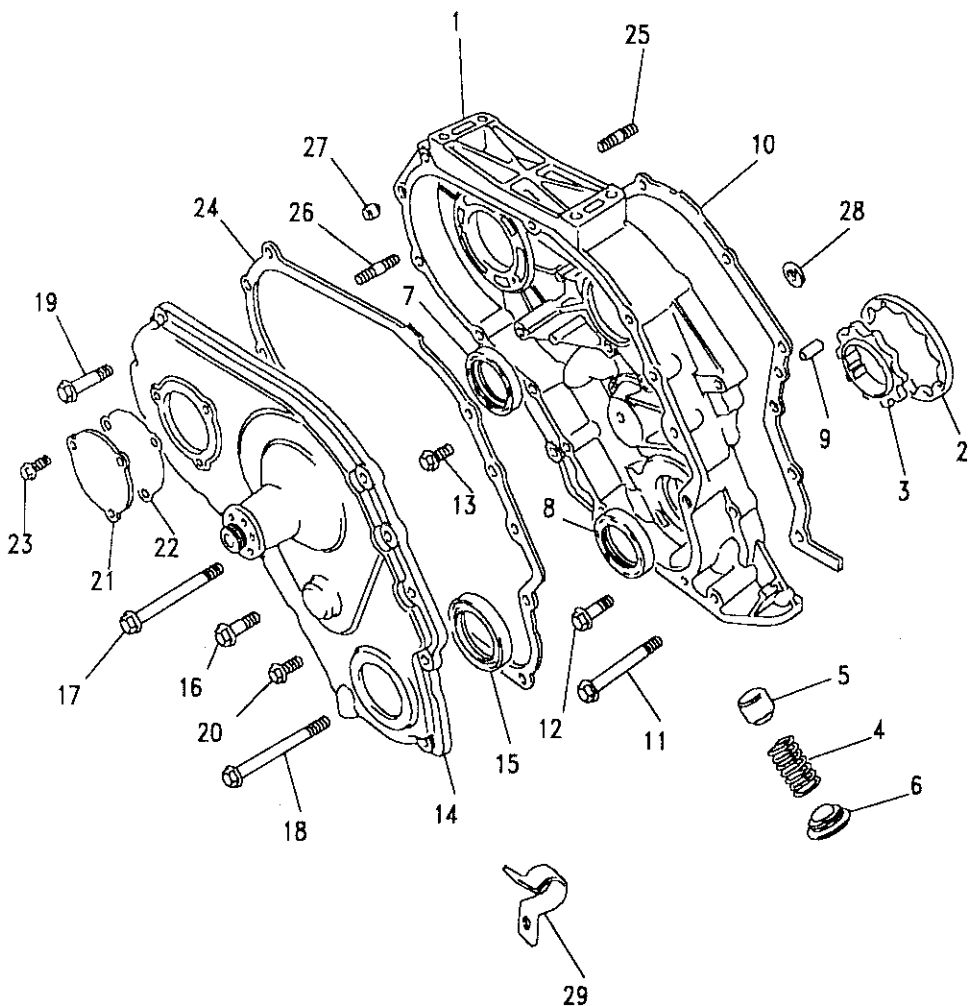
III. Part No.	Description	Qty	Remarks
1	ANR2868	1	Bracket mounting RH
2	NTC9415	1	Bracket mounting LH
3	SH112201	8	Screw M12 x 20
4	NTC9416	2	Mounting rubber
5	FX112041L	2	Nut flanged M12
6	FX110041L	2	Nut flanged M10
7	FX112041L	2	Nut flanged M12



**Model** DEFENDER 110 1987 onwards  
**Page** AFBNEA1A

**ENGINE - FRONT COVER - 300TDI**

III. Part No.	Description	Qty	Remarks
1	ERR4664	1	Cover front engine
2	ERR1040	1	Rotor outer
3	ERR1041	1	Rotor inner
4	ERR1084	1	Spring relief valve
5	ERR1085	1	Plunger relief valve
6	ERR1086	1	Plug relief plunger
7	ERR3356	1	Oil seal camshaft
8	ERR4575	1	Oil seal crankshaft
9	6395L	4	Dowel
10	ERR4860	1	Gasket front cover
11	FB108161L	2	Bolt flange M8 x 80
12	FB108071L	3	Bolt flange M8 x 35
13	FS108251L	5	Screw flange M8 x 25





DEFENDER 110 1987 onwards

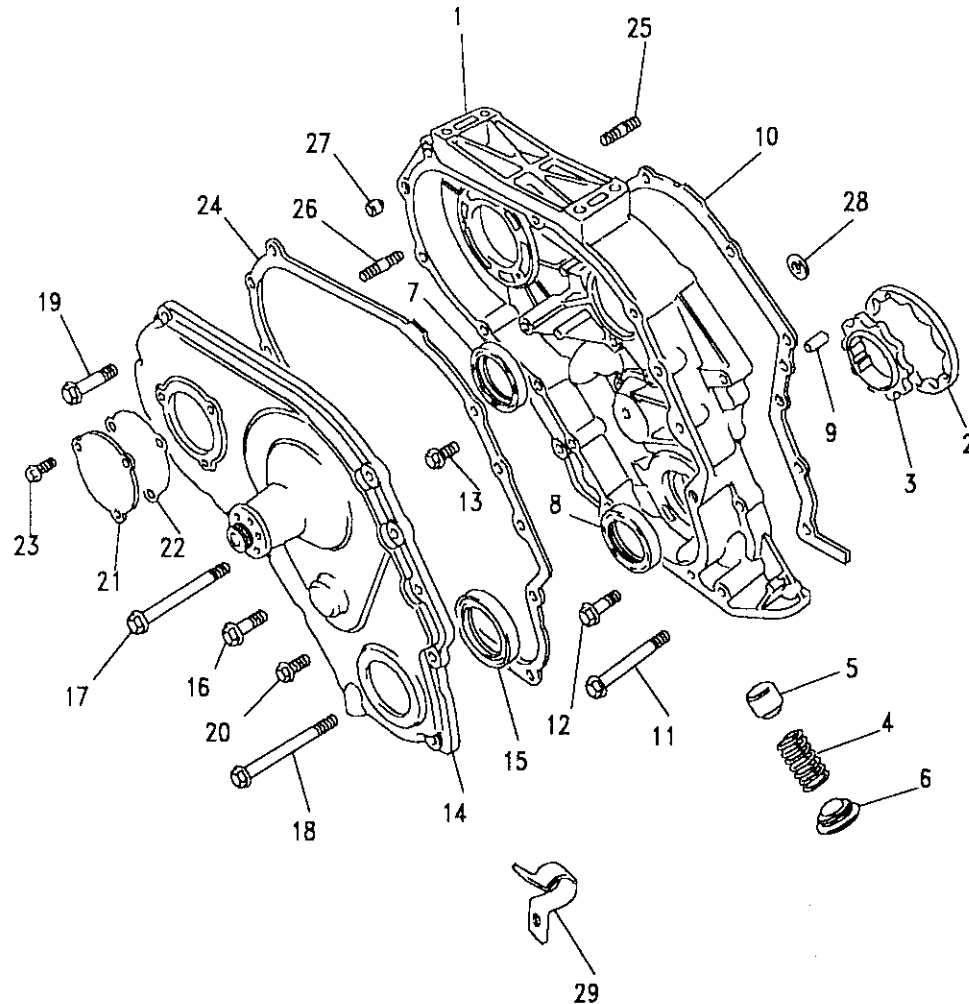
220

ENGINE

Model DEFENDER 110 1987 onwards  
Page AFBNEA1A

ENGINE - FRONT COVER - 300TDI

III. Part No.	Description	Qty	Remarks
14	ERR4578	1	Cover front engine
15	ERR4576	1	Oil seal crankshaft
16	FB108071L	5	Bolt flange M8 x 35
	FB108081L	2	Bolt flange M8 x 40
17	FB108201L	2	Bolt flange M8 x 100
18	FB108221	2	Bolt flange M8 x 110
19	FB108101	2	Bolt flange M8 x 50
20	FS108251L	1	Screw flange M8 x 25
21	ERR1560	1	Cover plate
22	ERR1561	1	Gasket cover plate
23	FS108121	3	Screw flange M8 x 12
24	ERR4120	1	Gasket cover plate
25	TE108061L	3	Stud
26	TE110051L	1	Stud M10 x 25
27	ERR3286	2	Dowel front cover
28	ERR2344	1	Joint washer
29	ERR4824	2	Clip hose





DEFENDER 110 1987 onwards

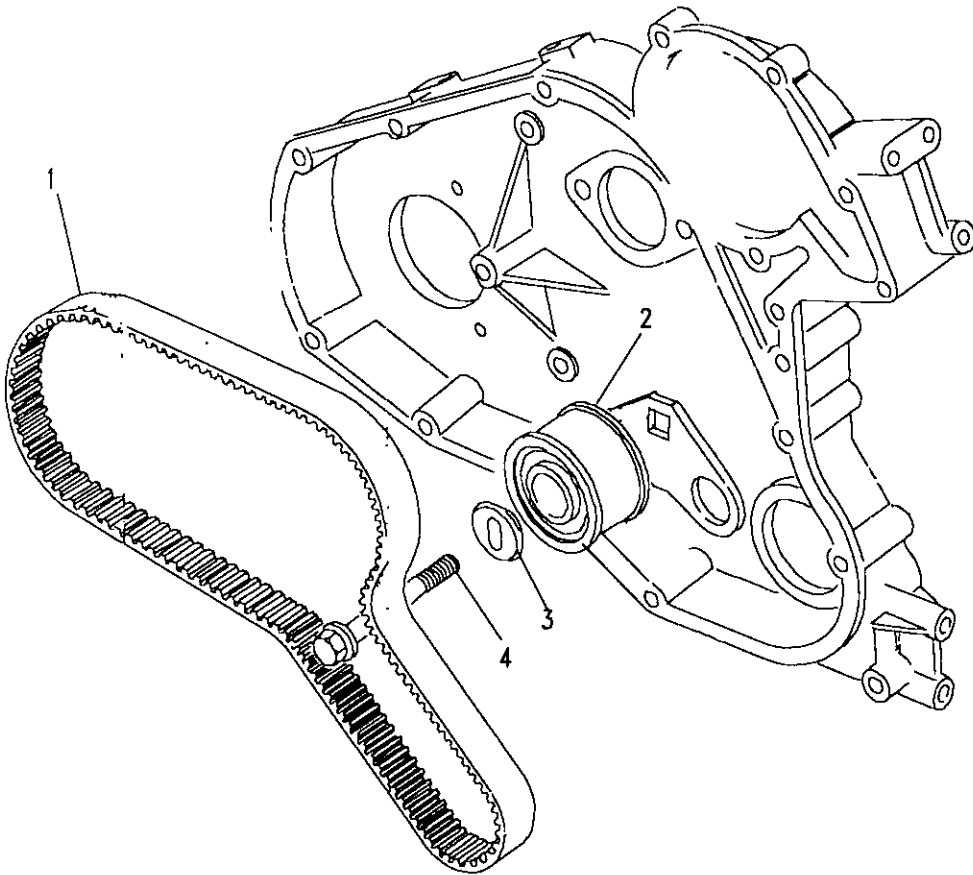
221

ENGINE

**Model** DEFENDER 110 1987 onwards  
**Page** AFBNEC1A

**ENGINE - TIMING BELT - 300 TDI**

III. Part No.	Description	Qty	Remarks
1	ERR1092	1	Belt timing
2	ERR1972	1	Pulley tensioner
3	ERR900	1	Washer packing
4	FB110131	1	Bolt flanged
5	FN110041	1	Nut flanged
6	ETC8560	1	Idler static- timing belt
7	ERR1973	1	Washer spacing

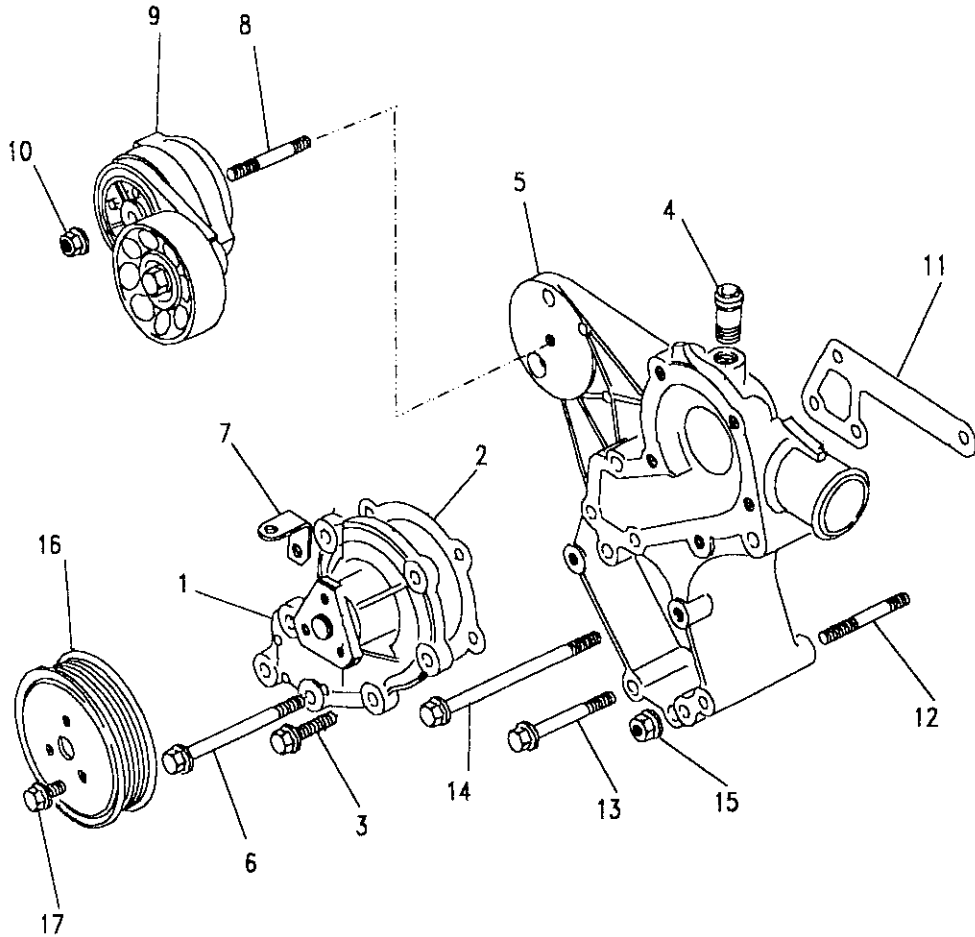




Model DEFENDER 110 1987 onwards  
Page AFBNEE1A

ENGINE - WATER PUMP - 300TDI

III. Part No.	Description	Qty	Remarks
1	STC1086	1	Pump water
2	ERR3284	1	Gasket
3	FS108301	5	Screw flange
4	ERR3622	1	Pipe stub
5	ERR3736	1	Bracket mounting
6	FB108241	3	Bolt flange pump to brkt
7	ERR5259	1	Bracket bypass hose
8	ERR5099	1	Hose by pass
9	TE110151	1	Stud
10	ERR4708	1	Tensioner auxiliary
11	FN110041	1	Nut flange
12	ERR2378	1	Gasket water in to block
13	ERR4404	1	Stud
14	FB108131	1	Bolt flange
15	FB108261	1	Bolt flange
16	FX110041	2	Nut flange
17	ERR3734	1	Pulley water pump
18	FS108121	3	Screw flange





DEFENDER 110 1987 onwards

223

ENGINE

**Model** DEFENDER 110 1987 onwards

**Page** AFBNEG2A

**ENGINE - COOLING FAN - 300 TDI**

III. Part No.	Description	Qty	Remarks
1 ERR2789	Fan blade	1	
2 ERR2266	Viscous unit	1	
3 ERR3735	Pulley fan	1	
4 FS108121	Screw flange	4	
5 ERR3287	Belt	1	



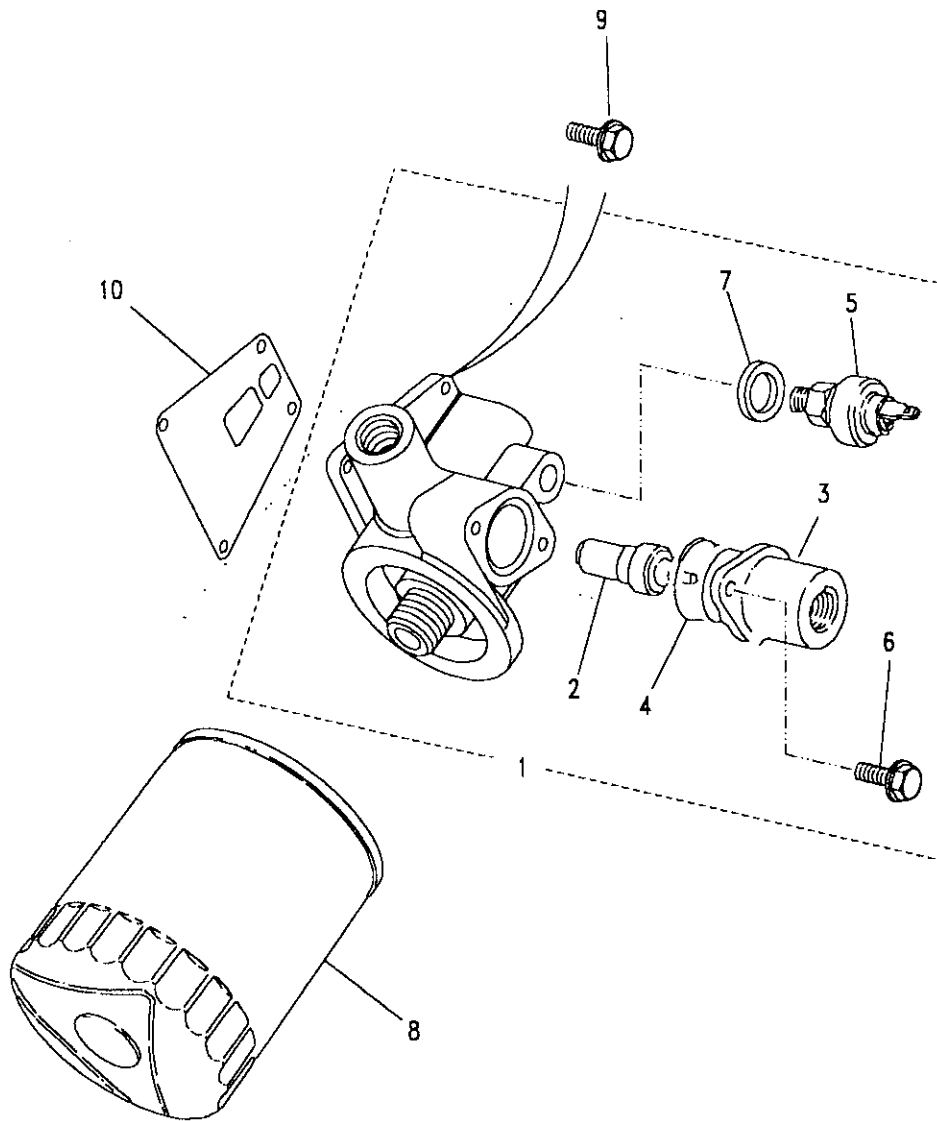




**Model** DEFENDER 110 1987 onwards  
**Page** AFBNFC1A

**ENGINE - OIL FILTER - 300TDI**

III. Part No.	Description	Qty	Remarks
1	ERR2317	1	Adaptor assy oil filter
2	ERC5923	1	Bulb thermostat
3	ERR2241	1	Adaptor
4	ERC5913	1	O Ring
5	PRC6387	1	Switch oil pressure
6	FS106161	2	Screw flange
7	AFU1887L	1	Washer joint
8	ERR3340	1	Element oil filter
9	FS110301	4	Screw flange
10	ERR3283	1	Gasket





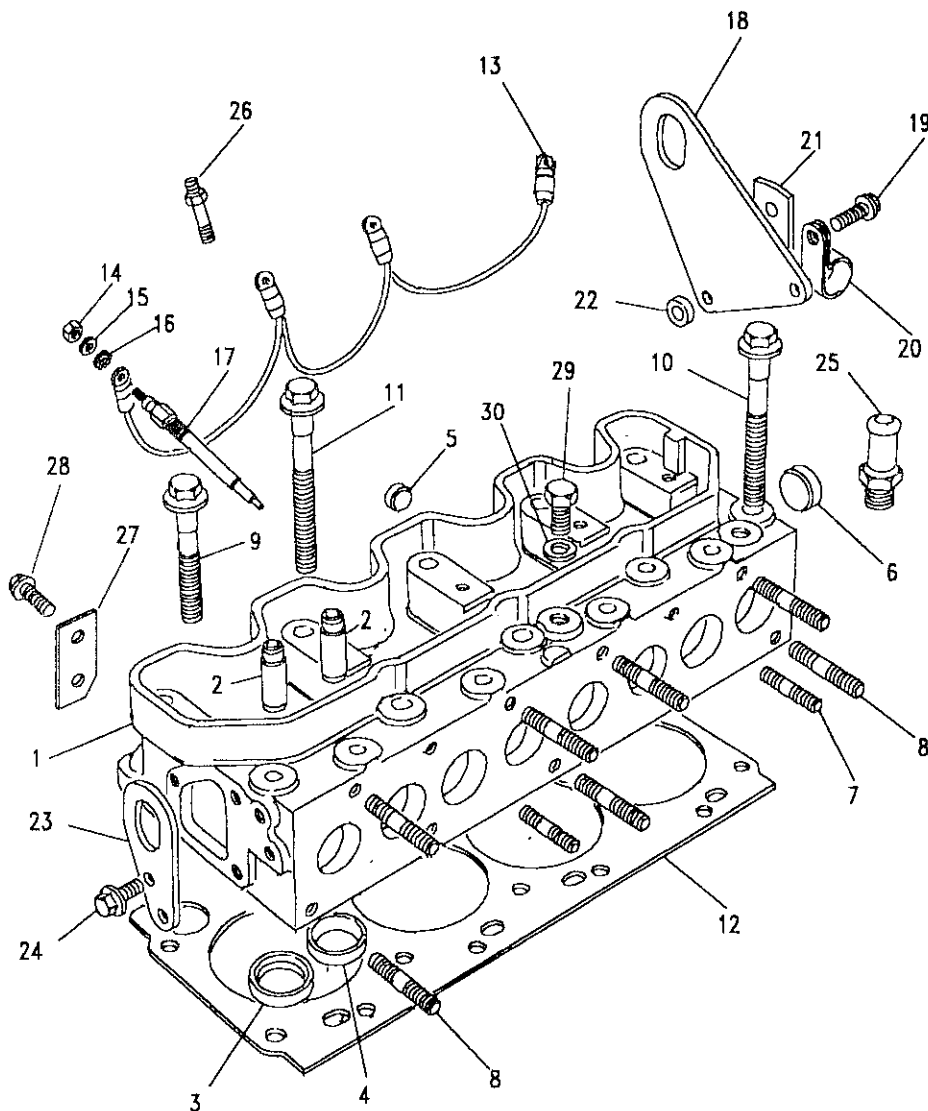
Model DEFENDER 110 1987 onwards  
Page AFBNGA1A

## ENGINE - CYLINDER HEAD - 300TDI

III. Part No.	Description	Qty	Remarks
1	ERR5027	1	Cylinder head assembly
2	ETC8003	8	Guide-valve
3	ERR2396	4	Insert valve seat inlet
4	ERR3753	4	Insert valve seat exh
5	525497	1	Plug cup
6	524765	1	Plug cup
7	TE108051L	2	Stud M8 x 25
8	TE110071	10	Stud M10 x 35
9	ETC8808	4	Bolt fixing cyl head
10	ERR1939	10	Bolt fixing cyl head
11	ETC8810	4	Bolt fixing cyl head

## Gasket - Cylinder head - Selective

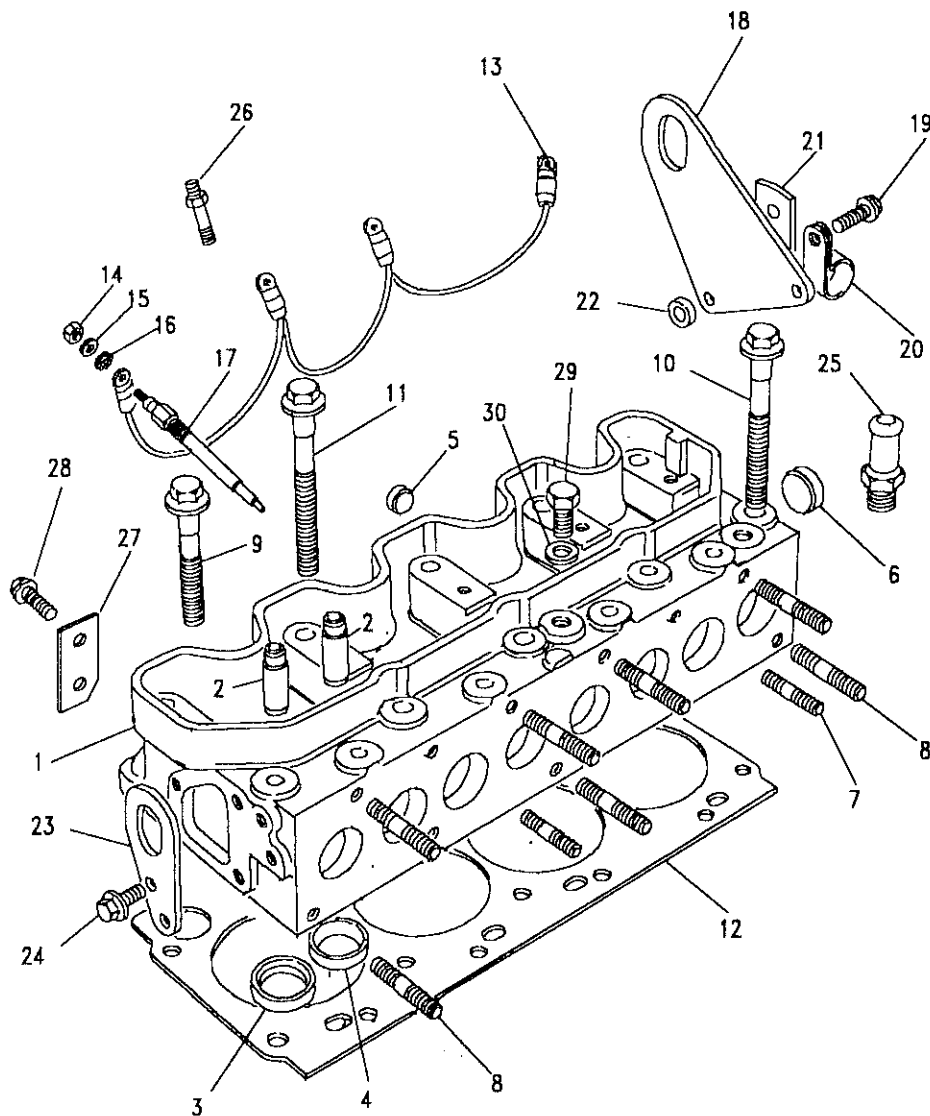
12	ERR4537	1.3mm	A/R
	ERR4538	1.4mm	A/R
	ERR4539	1.5mm	A/R
13	AMR2425	Cable assembly glow plugs	1
14	NH104041L	Nut	4
15	WA104001L	Washer	4
16	WE104001L	Washer	4
17	ETC8847	Glow plug	4

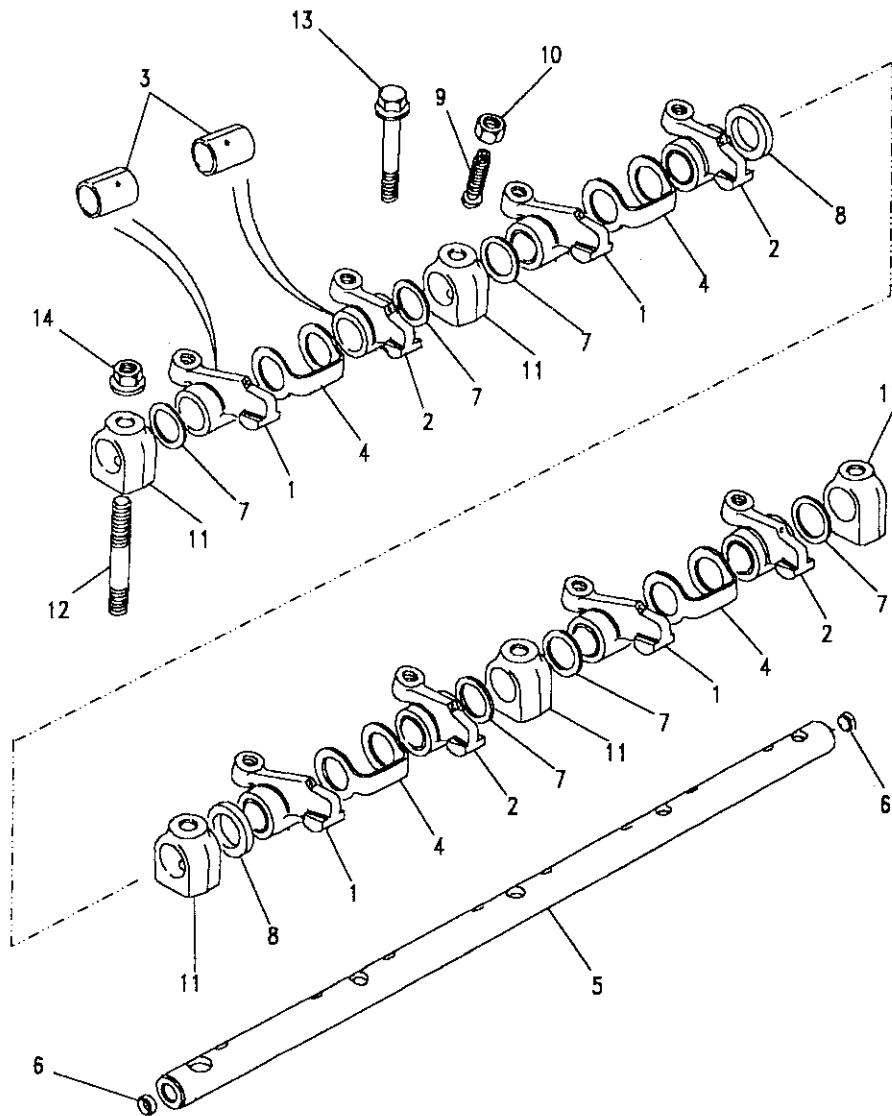


Model DEFENDER 110 1987 onwards  
 Page AFBNGA1A

ENGINE - CYLINDER HEAD - 300TDI

III. Part No.	Description	Qty	Remarks
18	ETC8036	1	Bracket lifting rear
19	FS108251	2	Screw flange
20	CP108251	1	P Clip
21	PRC2979	1	Bracket harness
22	390939	1	Spacer
23	ETC8031	1	Bracket lifting front
24	FS108201	2	Screw flange
25	624091	1	Adaptor
26	ERR1019	4	Stud injector clamp
27	ERC9404	1	Bracket retaining
28	FS108161	1	Screw flange
29	ETC5577	1	Plug
30	FRC4808	1	Washer joint

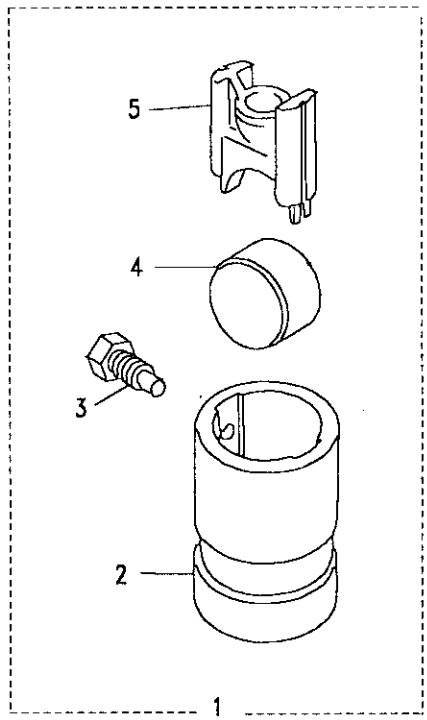
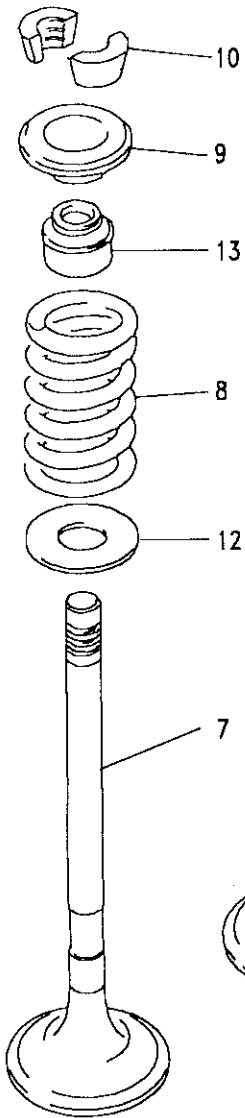




**Model** DEFENDER 110 1987 onwards  
**Page** AFBNGC1A

**ENGINE - ROCKER SHAFT - 300TDI**

III. Part No.	Description	Qty	Remarks
1	ERR3343	4	Rocker arm assembly RH
2	ERR3342	4	Rocker arm assembly LH
3	ERR1203	8	Bush
4	ERR2405	4	Spring
5	ERR4848	1	Shaft rocker assembly
6	ERR3457	2	Cup plug
7	ERR1209	6	Spacer
8	ERR2732	2	Spacer
9	ERR4883	8	Screw tappet adjusting
10	ERR560	8	Nut locker
11	ERR3779	5	Clamp rocker shaft
12	ERR4687	3	Stud rocker shaft
13	FB108101	2	Bolt flange
14	FN108041	3	Nut flange



Model DEFENDER 110 1987 onwards  
Page AFBNGE1A

ENGINE - VALVE AND TAPPETS - 300TDI

Ill. Part No.	Description	Qty	Remarks
1	RTC6564	8	Tappet assembly
2	502473	8	Guide
3	ETC4246	8	Set bolt
4	ERR561	8	Washer tappet guide
5	ERR607	8	Slide
6	ERR3777	4	Valve inlet
7	ERR1156	4	Valve exhaust
8	ERR4640	8	Spring valve
9	ETC4068	8	Cup valve spring
10	ETC4069	16	Cotter valve spring
11	546799	8	Push rod
12	ETC8193	8	Seat valve spring
13	ETC8663	8	Seal valve stem
14	ERR4175	8	Cap valve stem protection

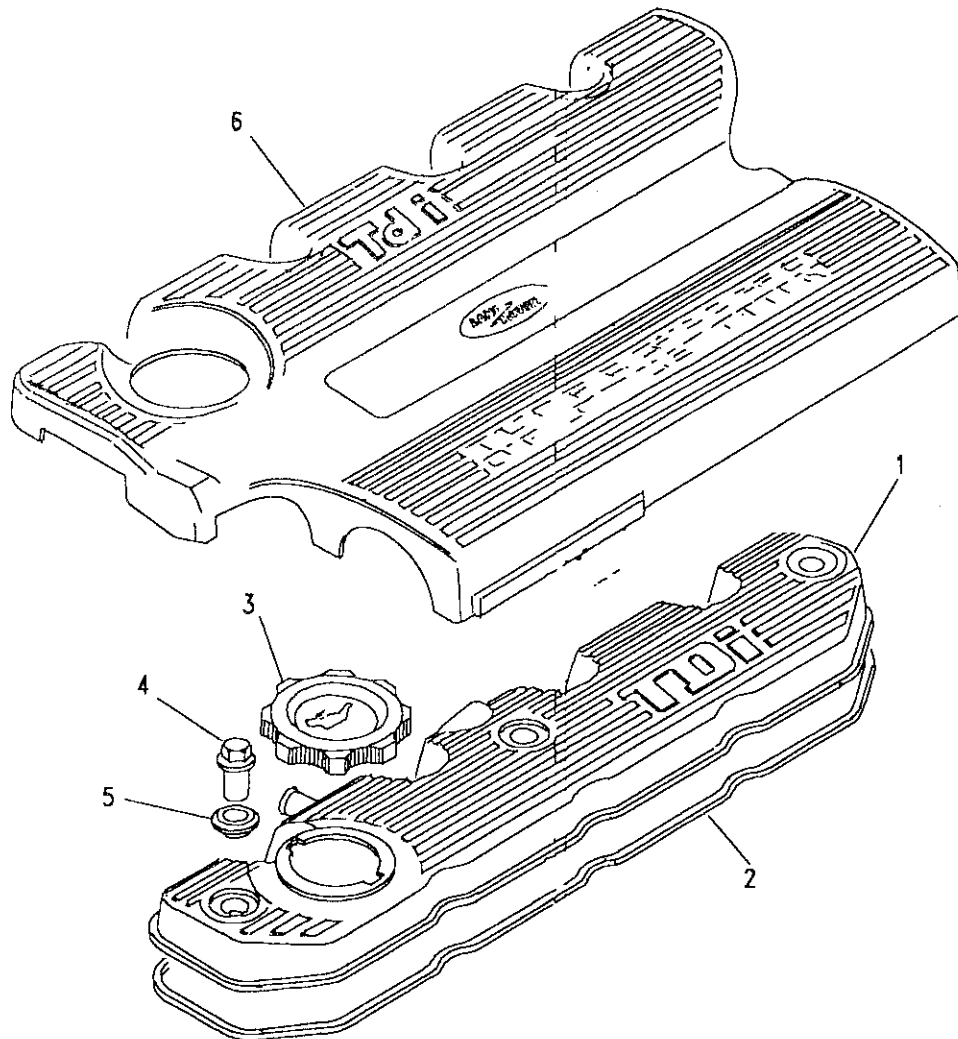




Model DEFENDER 110 1987 onwards  
Page AFBNGG1A

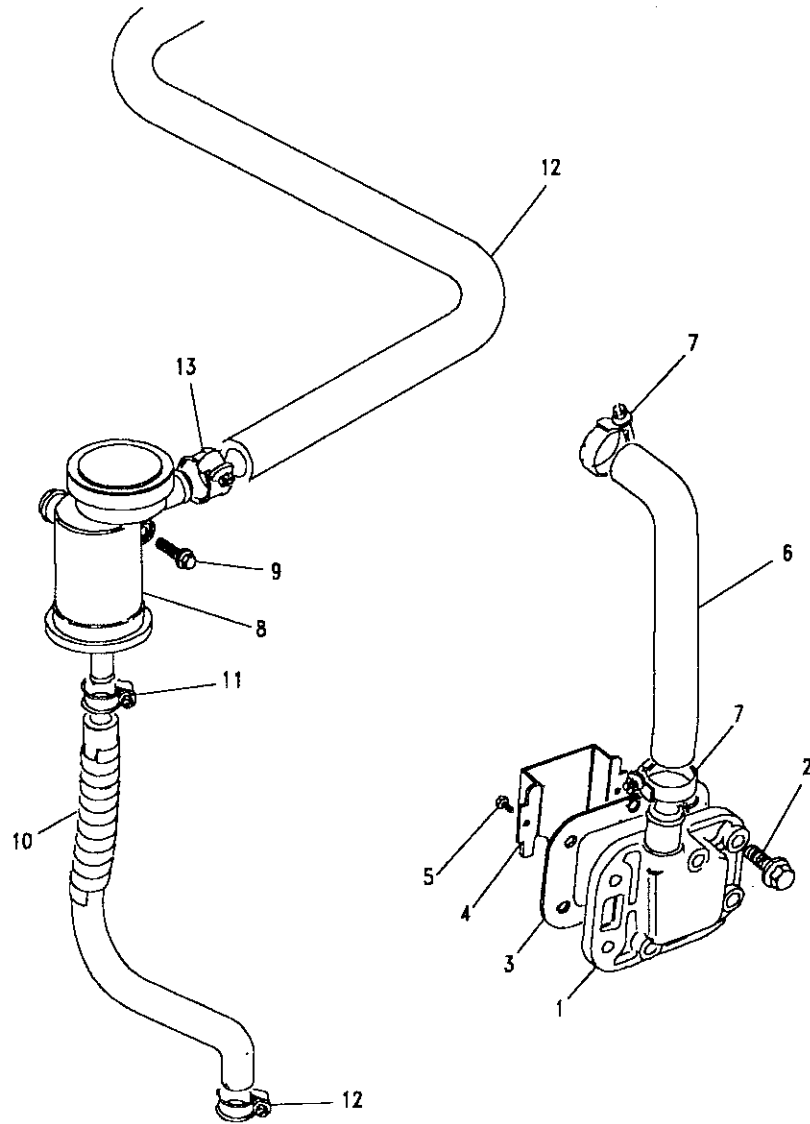
ENGINE - ROCKER COVER - 300TDI

III. Part No.	Description	Qty	Remarks
1	ERR4691	1	Rocker cover
2	ERR2409	1	Gasket rocker cover
3	ERR5041	1	Cap oil filler
4	ERR4834	3	Screw
5	ERR3424	3	Washer sealing
6	ERR4632	1	Cover NVH engine top



**Model** DEFENDER 110 1987 onwards  
**Page** AFBNGG2A

**ENGINE - CYCLONE BREATHER - 300TDI**



III. Part No.	Description	Qty	Remarks
1	ERR4706	1	Cover side breather
2	FS108251	3	Screw flange
3	ERR2026	1	Gasket side cover
4	ERR874	1	Baffle plate
5	79027	1	Screw
6	ERR3084	1	Hose side to rocker cover
7	CN100258	2	Clip hose
8	ERR1471	1	Breather cyclone
9	FB106111L	1	Bolt flange
10	ERR1351	1	Hose cyclone oil drain
11	CN100208L	2	Clip hose
12	ERR4926	1	Hose cyclone to a/cleaner
13	CN100258	2	Clip hose



DEFENDER 110 1987 onwards

231

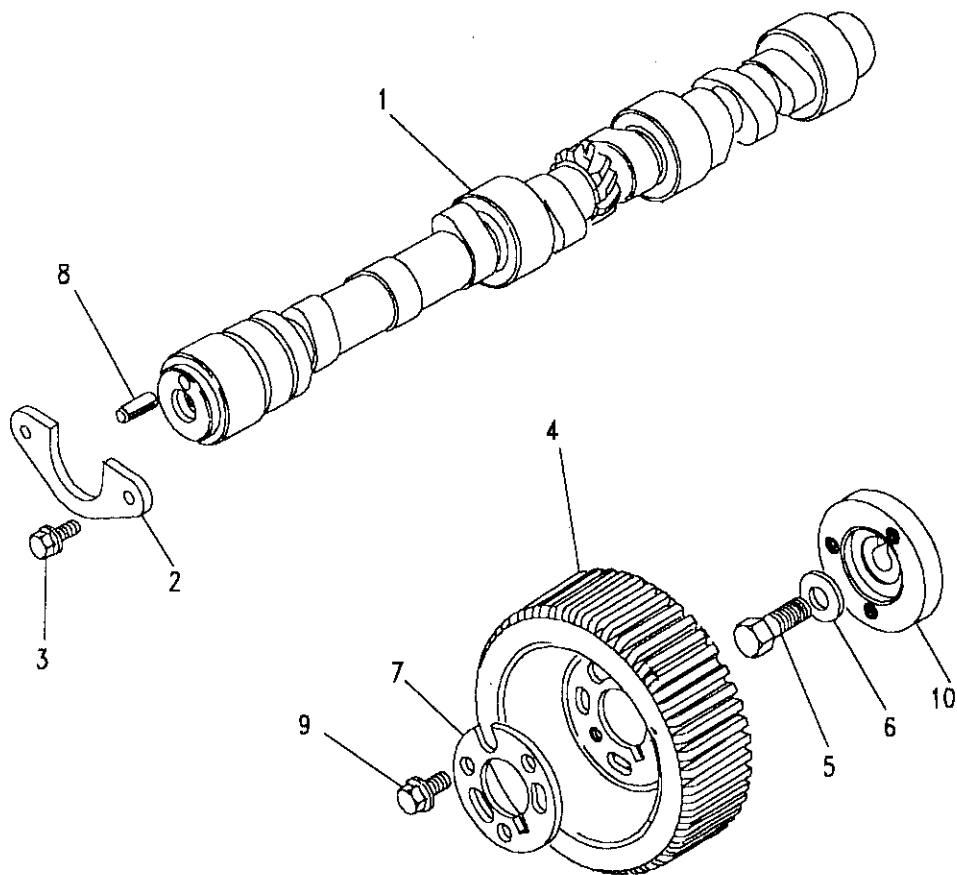
ENGINE

Model DEFENDER 110 1987 onwards

Page AFBNGI1A

ENGINE - CAMSHAFT - 300TDI

III. Part No.	Description	Qty	Remarks
1	Camshaft	1	
2	Plate thrust camshaft	1	
3	Screw flange	2	
4	Pulley timing belt	1	
5	Bolt	1	
6	Washer	1	
7	Plate retaining	1	
8	Dowel camshaft	1	
9	Screw flange	3	
10	Hub camshat pulley	1	

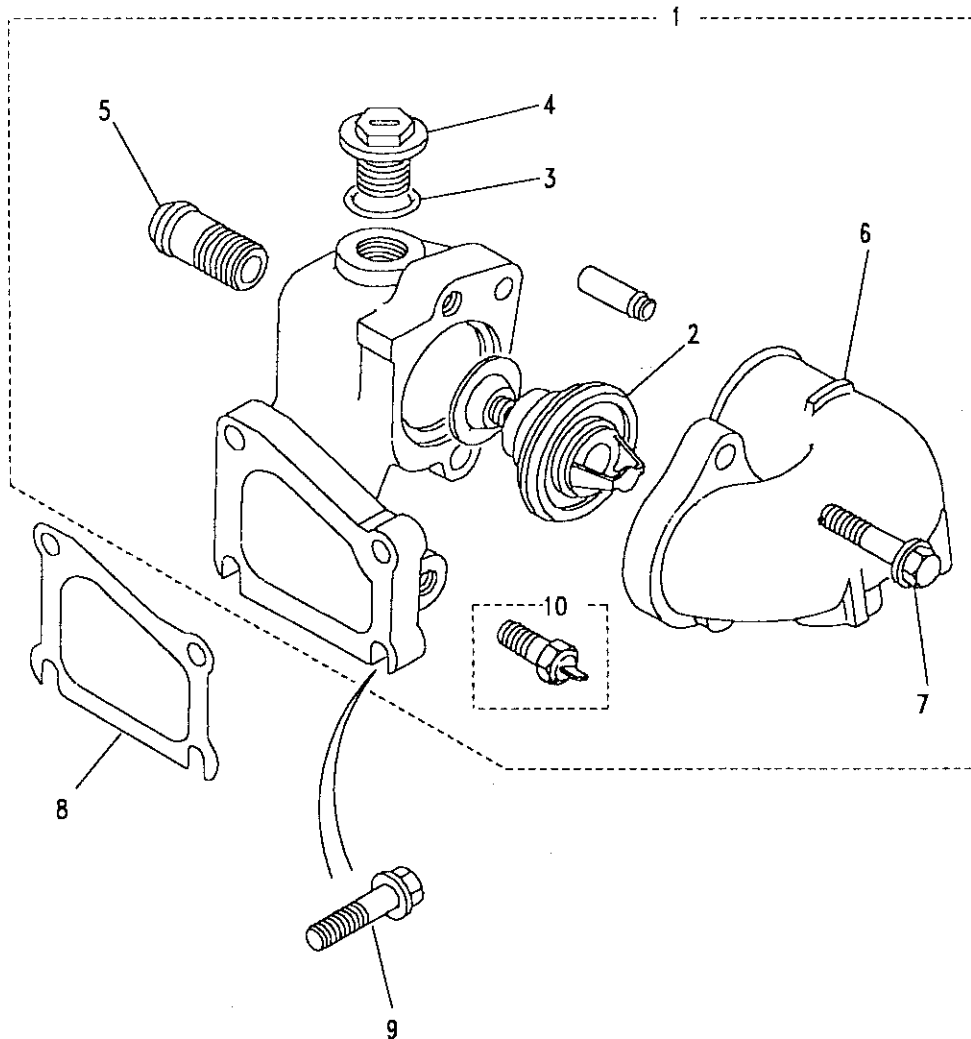




Model DEFENDER 110 1987 onwards  
 Page AFBNGK1A

ENGINE - THERMOSTAT - 300TDI

III. Part No.	Description	Qty	Remarks
1	ERR3479	1	
	ERR5098	1	Air con
2	ERR3291	1	
3	ERR4685	1	
4	ERR4686	1	
5	ERR3622	1	
6	ERR3737	1	
	ERR3738	1	Air con
7	FS108251	2	
8	ERR3490	1	
9	FS108251	4	
10	AMR1425	1	Green
	AMR3321	1	Black

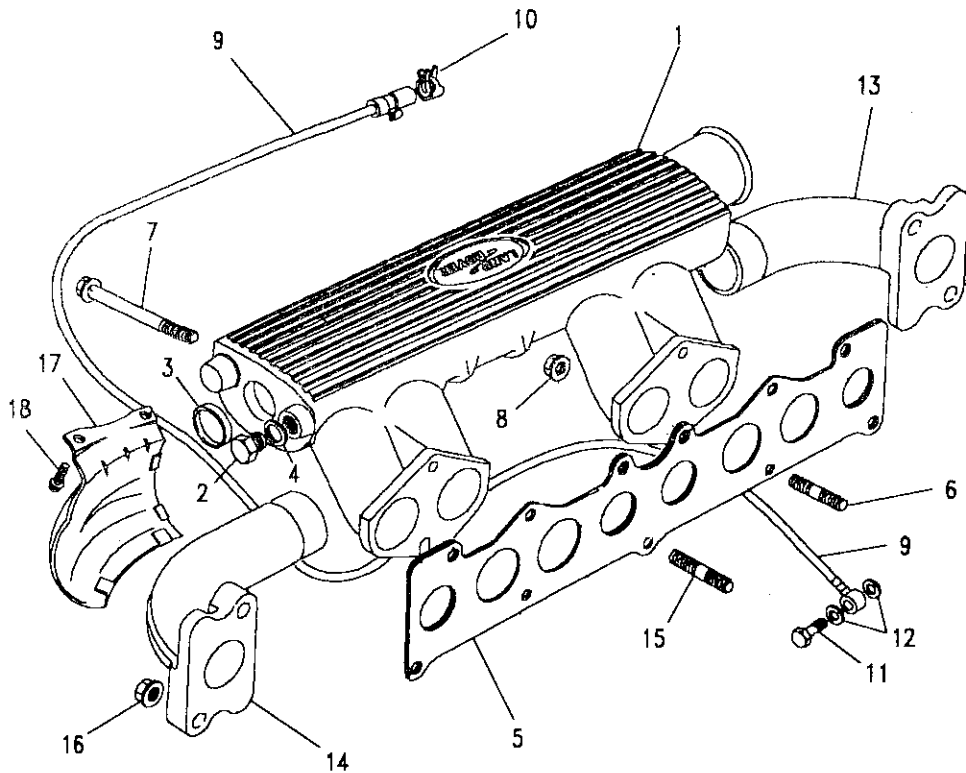


**Model** DEFENDER 110 1987 onwards  
**Page** AFBNHA1A

**ENGINE - MANIFOLDS - 300 TDI**

Ill. Part No.	Description	Qty	Remarks
1	ERR3481	1	Manifold inlet
2	ETC5577	1	Drain plug
3	524765	1	Cup plug
4	ERR894	1	Washer joint
5	ERR3785	1	Gasket manifold to head
6	TE108051L	2	Stud
7	FB108171	2	Bolt flange
8	FN108041	2	Nut flange
9	ERR4699	1	Boost pipe assembly
10	UKC3803L	1	Hose clamp
11	ERR886	1	Banjo bolt boost capsule
12	273069	2	Washer joint
13	NSS	1	Manifold exhaust LH
14	NSS	1	Manifold exhaust RH
15	TE110071	7	Stud
16	FX110041	7	Nut flange
17	ESR2422	1	Heatshield exh manifold
18	FS105101	2	Screw flange

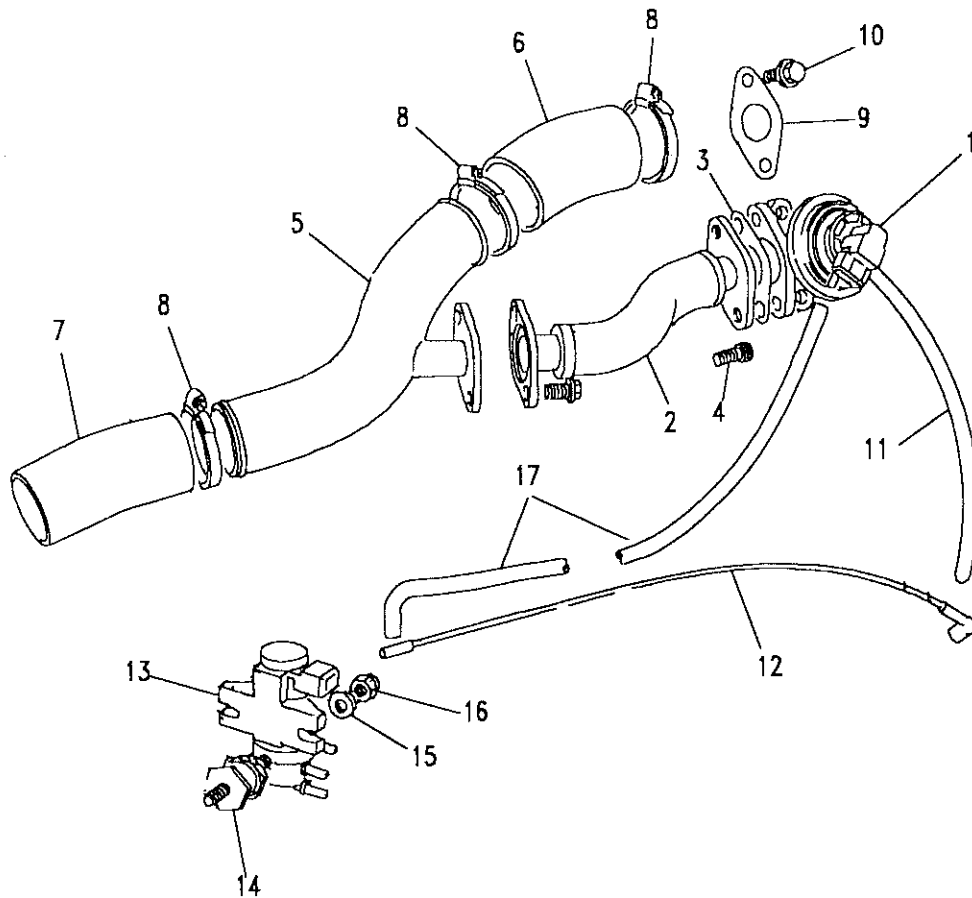
Note(1) Supplied as part of the Turbocharger assembly



Model DEFENDER 110 1987 onwards

Page AFBNHE1A

ENGINE - EXHAUST GAS RECIRCULATING - 300TDI



III. Part No.	Description	Qty	Remarks
1	ERR4047	1	Valve EGR
2	ERR3583	1	Tube delivery EGR
3	ERR3319	1	Gasket EGR pipe to valve
4	SS108201	2	Screw socket
5	ERR3579	1	Tube EGR mixing
6	ERR3580	1	Hose intercooler EGR tube
7	ERR3581	1	Hose EGR tube to in man
8	PYC101120	3	Clip hose
9	ERR3791	1	Gasket EGR to inlet man
10	FS108201L	2	Screw flanged
11	ESR3308	1	Pipe solenoid to EGR val
12	ERR4862	1	Hose to air cleaner
13	ERR3314	1	Modulator EGR valve
14	ERR2337	2	Mounting flexible
15	NY106041L	2	Nut nyloc M6
16	WA106001L	2	Washer plain
17	ERR5055	1	Pipe EGR vlv to modulator



DEFENDER 110 1987 onwards

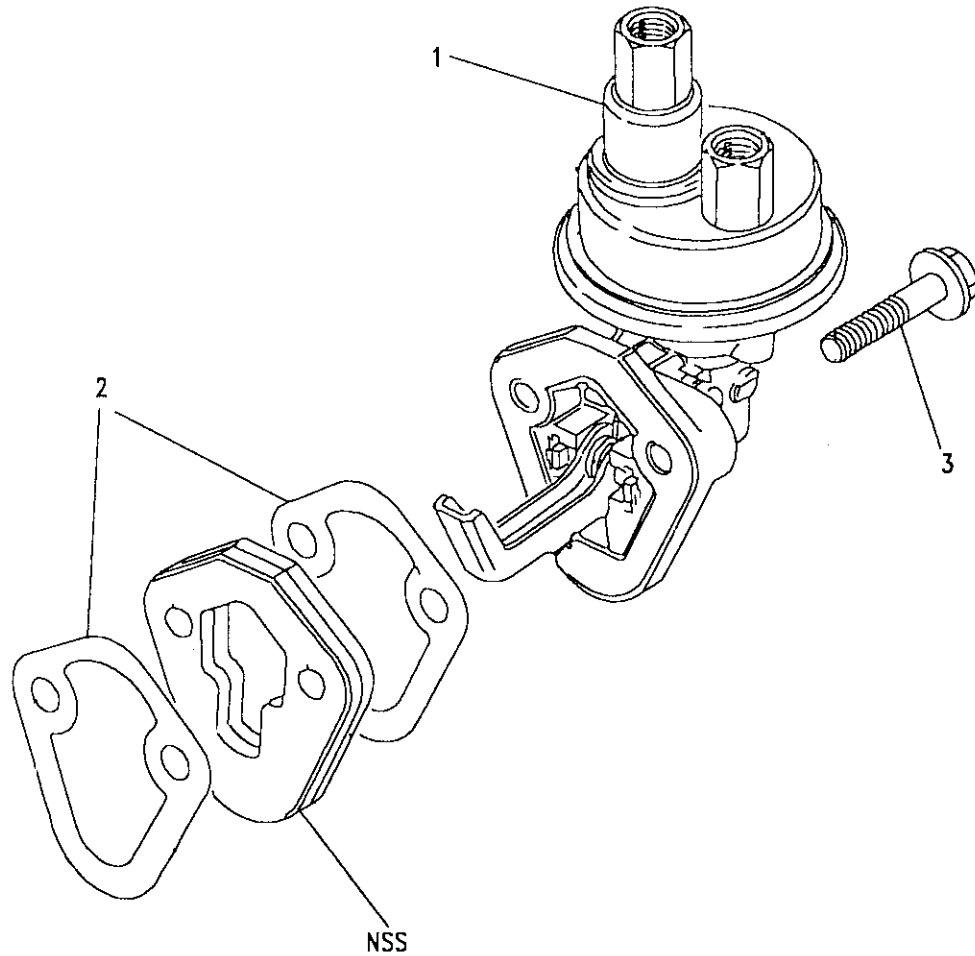
235

ENGINE

**Model** DEFENDER 110 1987 onwards  
**Page** AFBNKA1A

**ENGINE - FUEL LIFT PUMP - 300TDI**

Ill. Part No.	Description	Qty	Remarks
1	ERR5057	1	Pump fuel
2	ERR2028	1	Gasket pump to side cover
3	FS108301	2	Screw flange



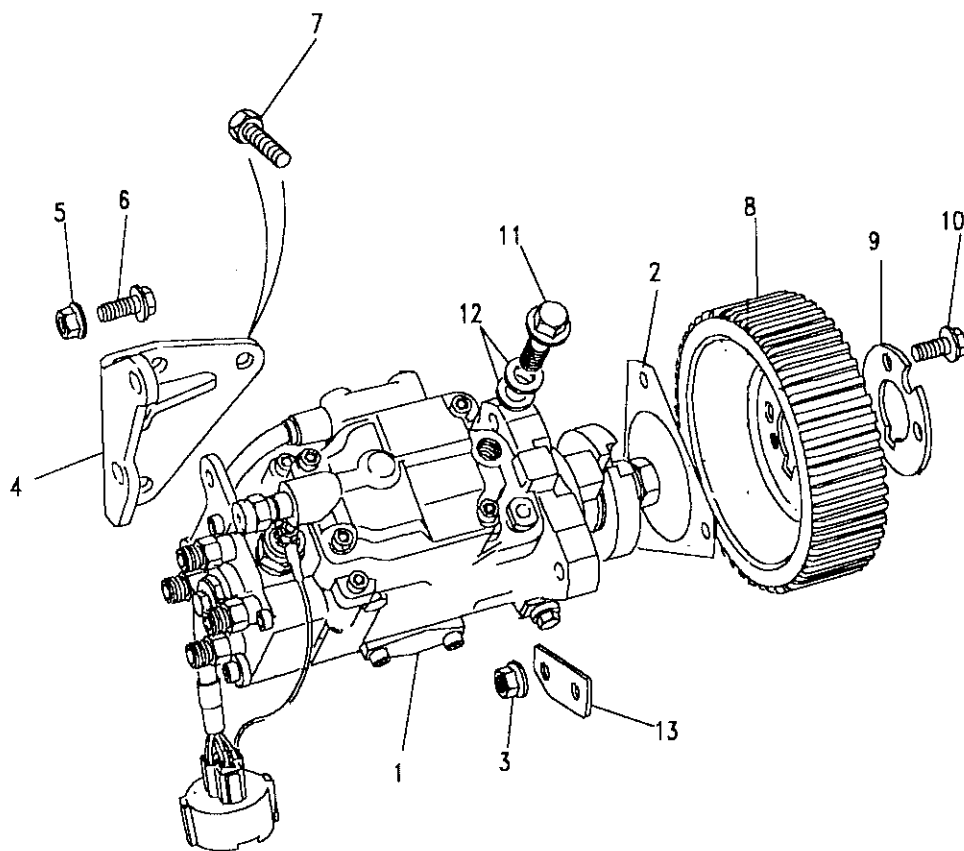


Model DEFENDER 110 1987 onwards

Page AFBNKC1A

## ENGINE - INJECTION PUMP - 300TDI

III. Part No.	Description	Qty	Remarks
1	ERR4419	1	Pump fuel injection
	RTC6702	1	Switch fuel cut off
2	ERR2023	1	Gasket
3	FN108041	3	Nut flanged
4	ERR4725	1	Bracket FIE
5	FN108041	2	Nut flanged
6	FS108201	2	Screw flanged
7	FB108101	3	Bolt flanged
8	ERR3545	1	Pulley
9	ERR2216	1	Plate retaining pulley
10	FS108161	3	Screw flanged
11	ERR886	1	Bolt banjo
12	ERR894	2	Washer copper
13	ERC9404	1	Bracket

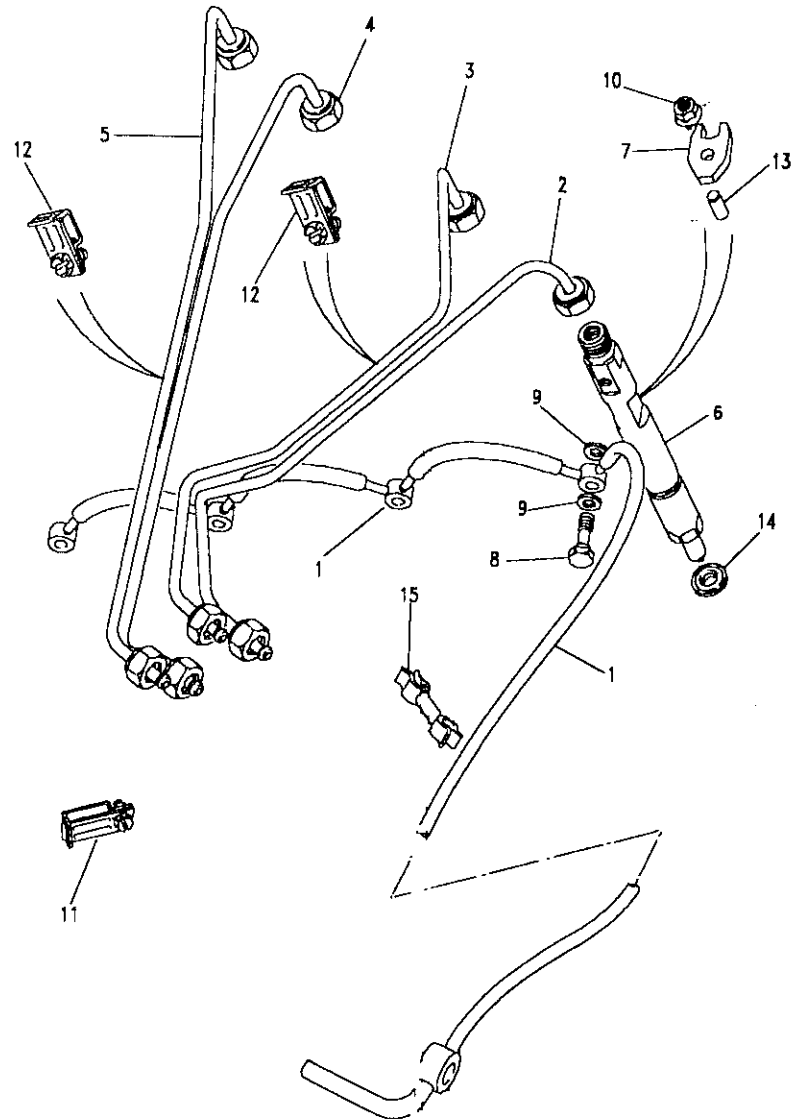




DEFENDER 110 1987 onwards

237

ENGINE



**Model** DEFENDER 110 1987 onwards  
**Page** AFBNKE1A

**ENGINE - INJECTOR AND PIPES - 300TDI**

III. Part No.	Description	Qty	Remarks
1	ERR3306	1	Spill return assembly
2	STC1694	1	Pipe injector No 1
3	STC1695	1	Pipe injector No 2
4	STC1696	1	Pipe injector No 3
5	STC1697	1	Pipe injector No 4
6	ERR3339	1	Injector
7	ERR3780	4	Clamp injector
8	ERR1200	4	Bolt banjo
9	232042	4	Washer joint
10	FN108041	8	Nut flanged
11	STC1738	4	Clip 4 pipes
12	STC1739	2	Clip 2 pipes
13	ERR3468	2	Pin injector clamp
14	ERR4621	4	Washer sealing
15	DCP7384L	4	Clip cable

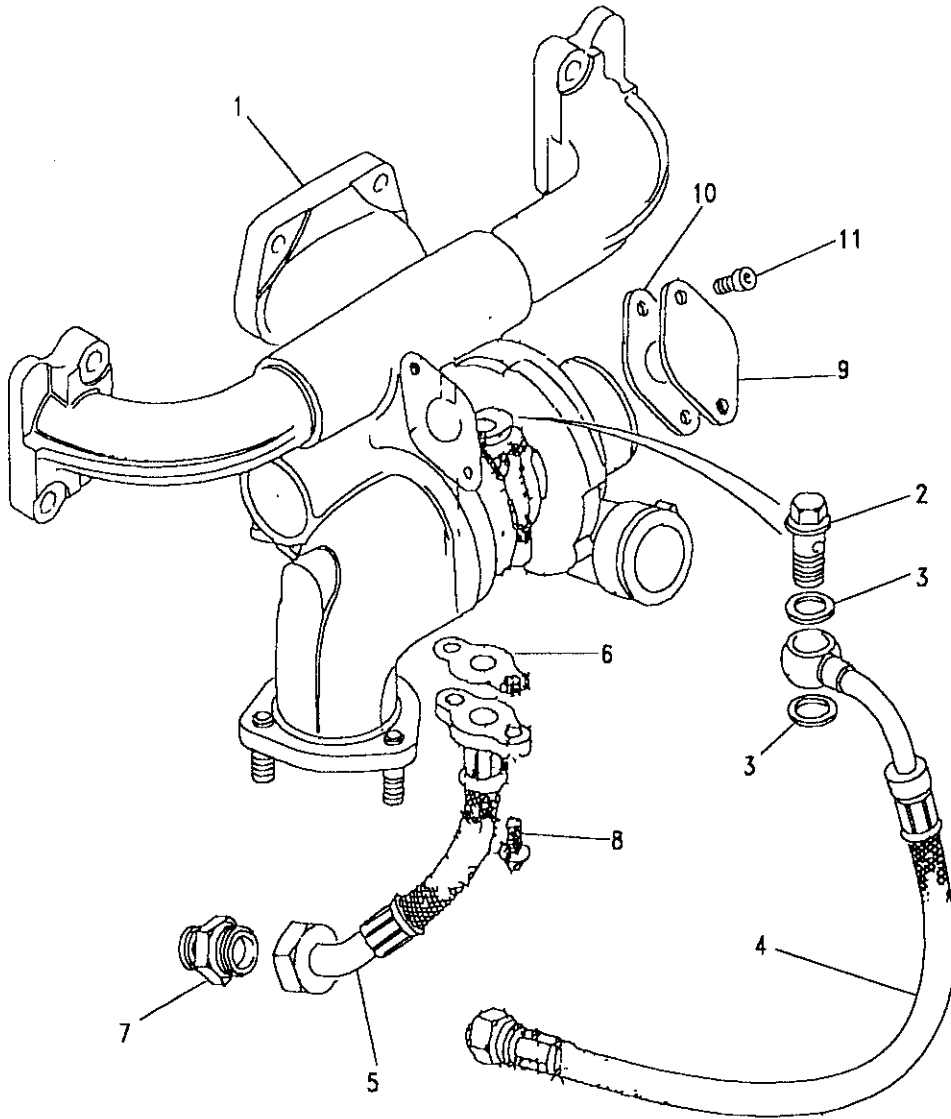


**Model** DEFENDER 110 1987 onwards  
**Page** AFBNLA1A

**ENGINE - TURBOCHARGER - 300TDI**

Ill. Part No.	Description	Qty	Remarks
1	ERR4802	1	Turbocharger & exh man
2	ERR1125	1	Bolt banjo oil feed
3	FRC4808	2	Washer joint
4	ERR4894	1	Pipe turbo oil feed
5	ERR4895	1	Pipe oil drain
6	ERR2109	1	Gasket oil drain pipe
7	ERR335	1	Adaptor oil drain
8	FS108201	2	Screw flange
9	ERR4698	1	Plate blanking turbo
10	ERR4852	1	Gasket blanking plate
11	SS108201	2	Screw socket

Note(1) Not required when vehicle is fitted with Exhaust Gas Recirculation system





DEFENDER 110 1987 onwards

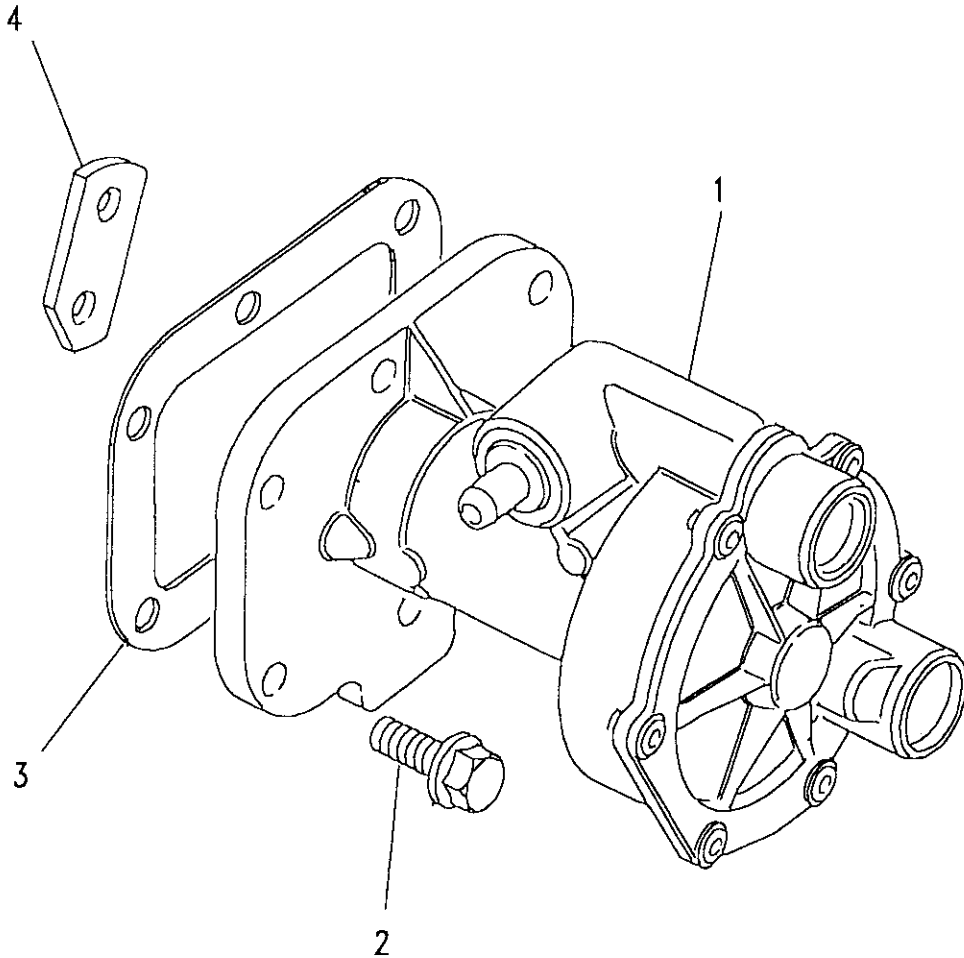
239

ENGINE

**Model** DEFENDER 110 1987 onwards  
**Page** AFBNNA1A

**ENGINE - VACUUM PUMP - 300 TDI**

III. Part No.	Description	Qty	Remarks
1	ERR3539	1	Pump vacuum
2	FS108201	5	Screw
3	ERR2027	1	Gasket
4	ERC9404	1	Bracket mounting







DEFENDER 110 1987 onwards

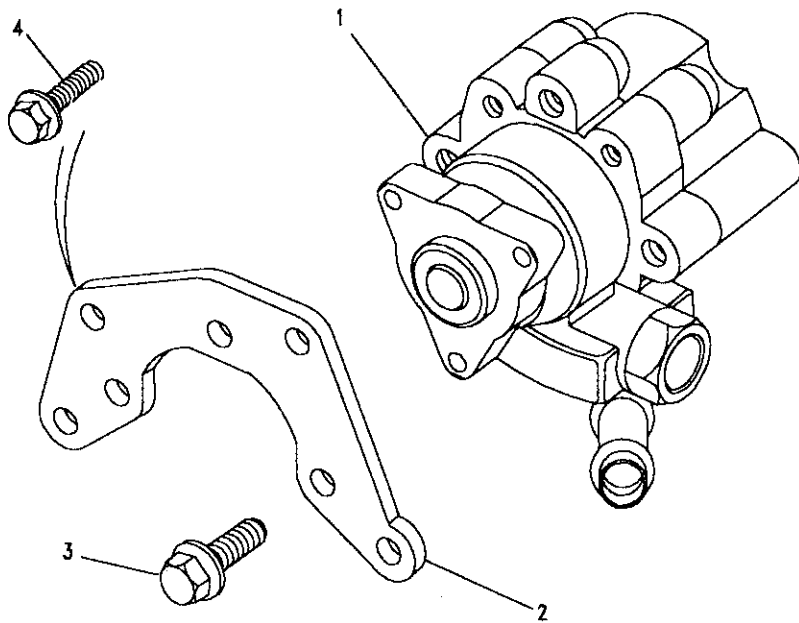
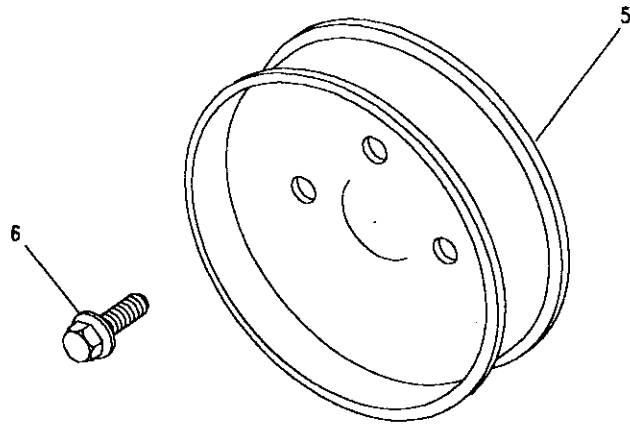
240

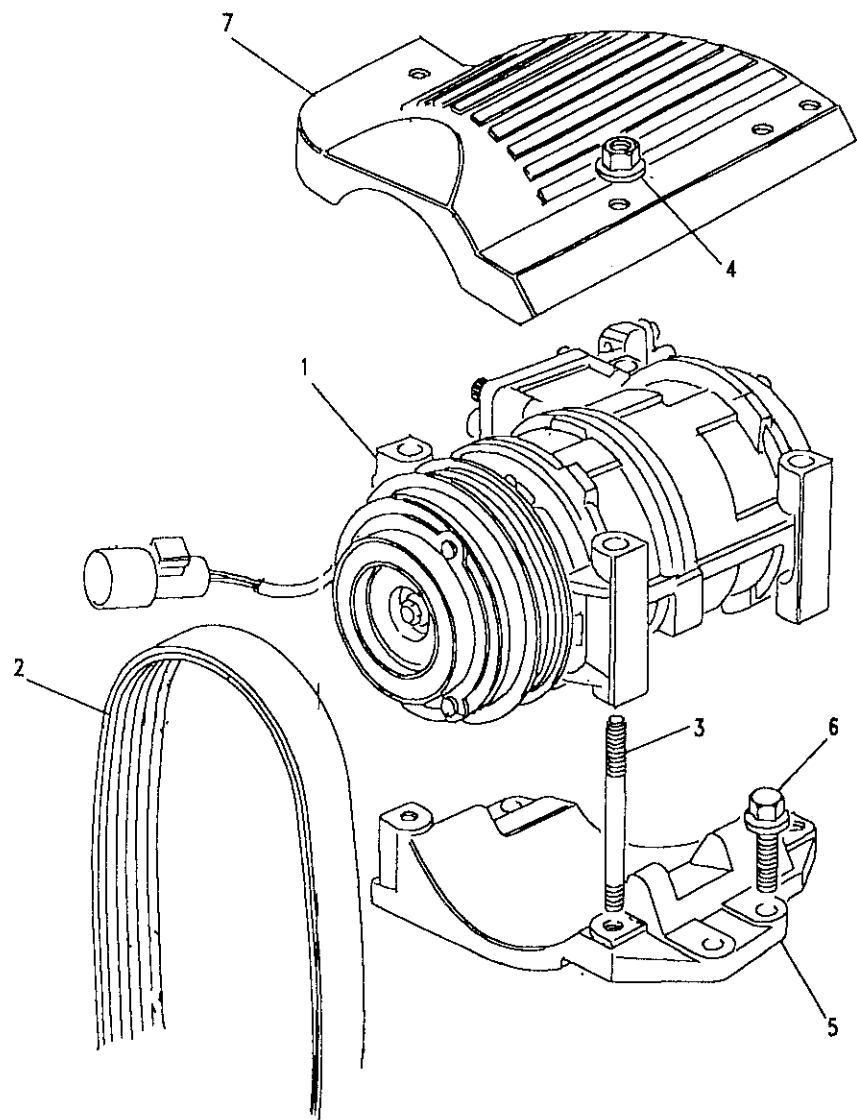
ENGINE

**Model** DEFENDER 110 1987 onwards  
**Page** AFBNNC1A

**ENGINE - POWER STEERING PUMP - 300 TDI**

III. Part No.	Description	Qty	Remarks
1	ANR2157	1	Pump power steering
2	ERR2228	1	Bracket mounting
3	FS108161	3	Screw flange
4	FS108201	4	Screw flange
5	ERR3733	1	Pulley pump
6	FS108121	3	Screw flange





**Model** DEFENDER 110 1987 onwards  
**Page** AFBNNE1A

**ENGINE - AIR CONDITIONING COMPRESSOR - 300TDI**

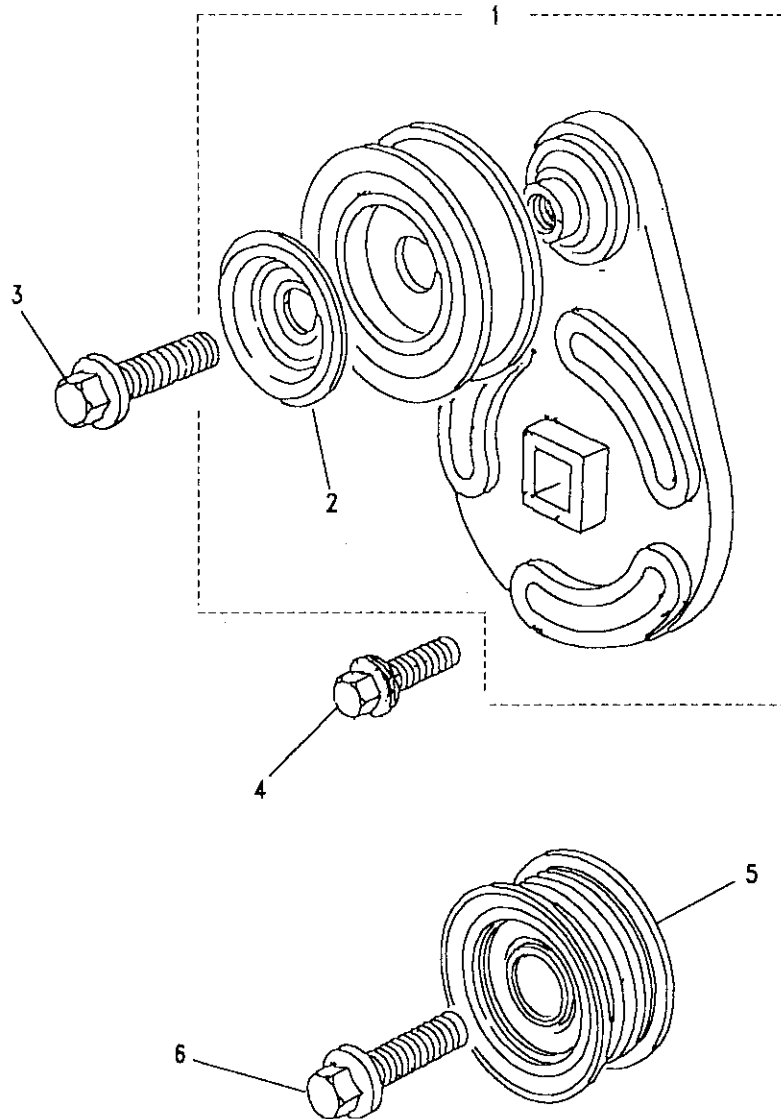
III. Part No.	Description	Qty	Remarks
1	BTR8505	1	Compressor
2	ERR2215	1	Belt driving
3	TE108221	3	Stud
4	FN108041L	3	Nut flange
5	ERR4638	1	Bracket mounting
6	FS110301	4	Screw flange
7	ERR4639	1	Guard air con belt
8	FN108041L	3	Nut flange



DEFENDER 110 1987 onwards

242

ENGINE



**Model** DEFENDER 110 1987 onwards  
**Page** AFBNNE2A

**ENGINE - AIR CONDITIONING IDLERS - 300TDI**

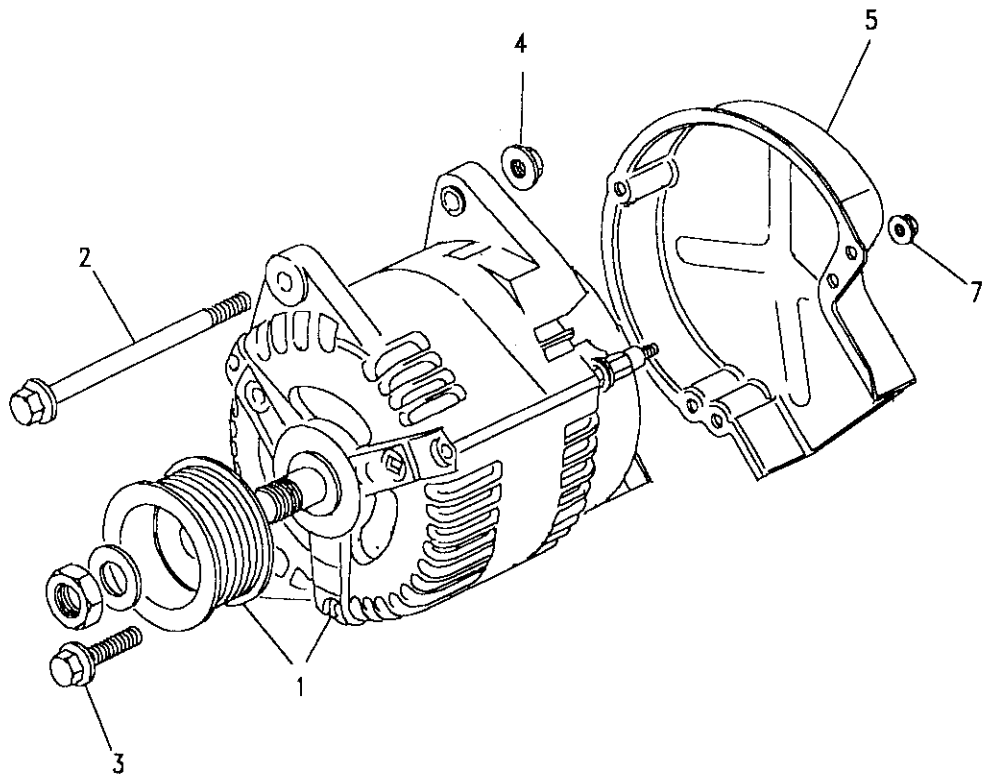
III. Part No.	Description	Qty	Remarks
1 ERR4543	Tensioner belt	1	
2 ERR3807	Dust cover	1	
3 FS110301	Screw flange	1	
4 FS108251	Screw flange	1	
5 ERR2798	Pulley idler	1	
6 FS110301	Screw flange	1	





Model DEFENDER 110 1987 onwards  
Page AFBNPC1A

ENGINE - ALTERNATOR - 300TDI



III. Part No.	Description	Qty	Remarks
1	AMR3412	1	Alternator 65 Amp
2	FB108251	1	Bolt flanged
3	FS108301L	1	Screw flanged
4	FX108047L	1	Nut flanged
5	ERR4859	1	Heatshield alternator
6	AMR2217	3	Nut/washer alternator
7	FN105041L	1	Nut flanged

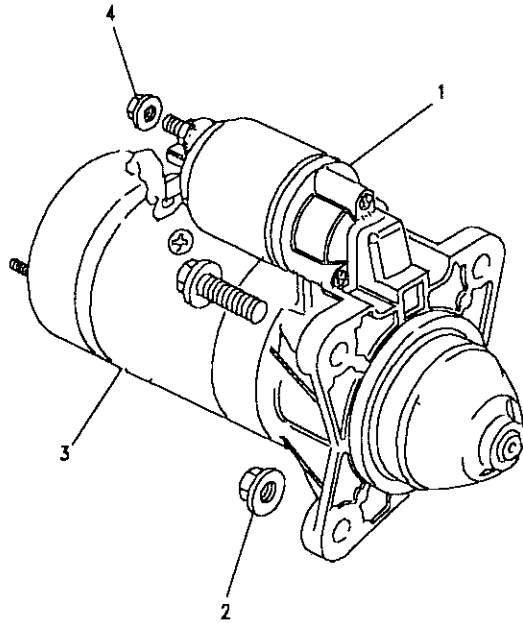




**Model** DEFENDER 110 1987 onwards  
**Page** AFBNPE1A

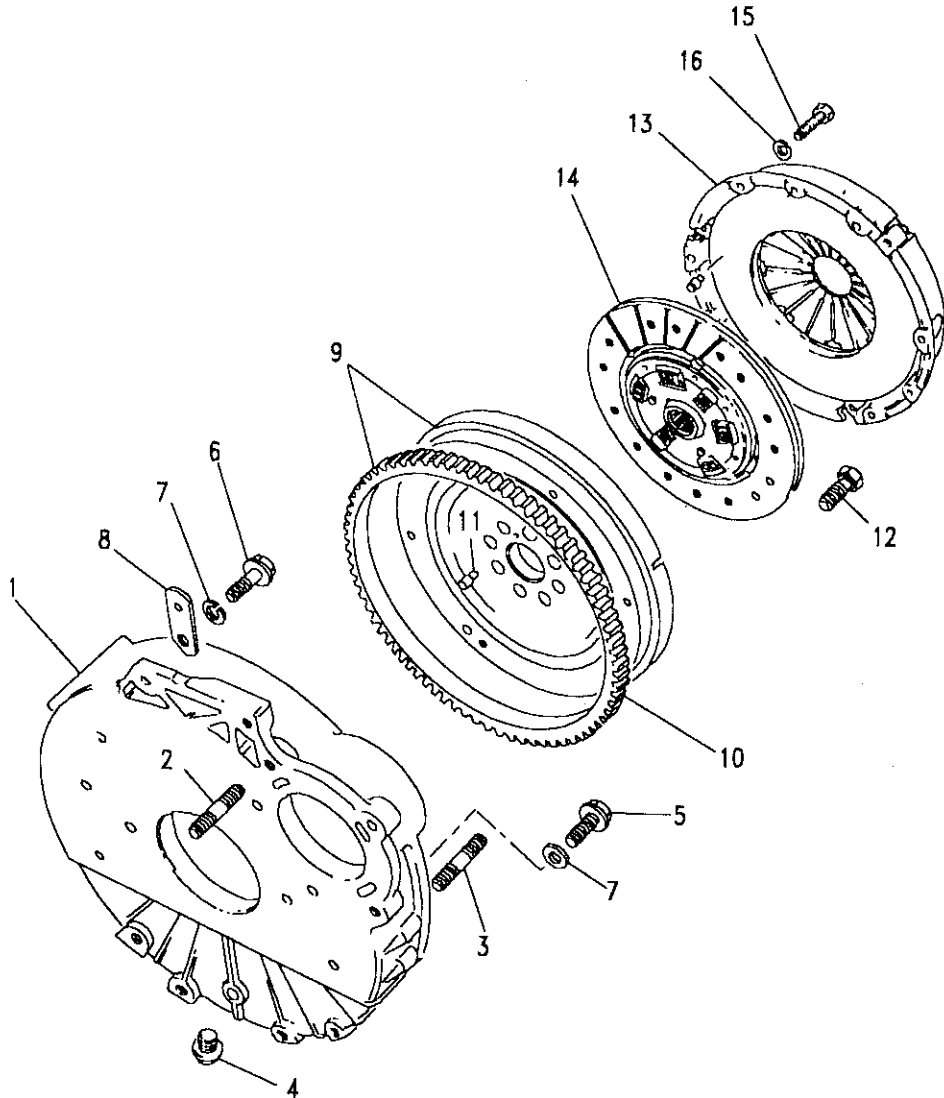
**ENGINE - STARTER MOTOR - 300TDI**

III. Part No.	Description	Qty	Remarks
1 ERR5009	Starter motor	1	
2 FN110041L	Nut flanged	1	
3 FS110301L	Screw flanged	2	
4 FN108041L	Nut	1	



**Model** DEFENDER 110 1987 onwards  
**Page** AFBNRA1A

**ENGINE - FLYWHEEL & CLUTCH - 300 TDI**



III. Part No.	Description	Qty	Remarks
1	ERR4723	1	Housing flywheel
2	TE110061L	13	Stud bell housing
3	TE110051	1	Stud m10 x 25
4	ERC7295	1	Plug
5	FS110301	6	Screw flange
6	FB110071	2	Bolt flange
7	WA110061L	2	Washer
8	ERC9404	2	Bracket harness clip
9	ERR719	1	Flywheel assembly
10	568431	1	Ring starter
11	502116	3	Dowel
12	ERR4574	8	Bolt flywheel to crank
13	FTC575	1	Clutch cover
14	FTC2149	1	Clutch plate
	FTC1994	1	Clutch plate (130)
15	SX108201L	6	Screw
16	WL108001L	6	Washer spring



## MASTER INDEX

	PAGES
INTRODUCTION PAGES	1 - 7
ALPHABETICAL INDEX	8 - 16
ENGINE	17 - 66
ENGINE	67 - 119
ENGINE	120 - 166
ENGINE	167 - 209
ENGINE	210 - 245
ENGINE	246 - 299
GEARBOX	300 - 326
GEARBOX	327 - 344
GEARBOX	345 - 359
TRANSFER BOX	360 - 378
TRANSFER BOX	379 - 397
AXLES AND SUSPENSION	398 - 444
STEERING	445 - 471
VEHICLE AND ENGINE CONTROLS	472 - 486
BRAKES	487 - 517
FUEL SYSTEM AND AIR CLEANER	518 - 579
EXHAUST SYSTEM	580 - 593
COOLING/HEATING	594 - 637
COOLING/HEATING	638 - 641
COOLING/HEATING	642 - 649
COOLING/HEATING	650 - 655
COOLING/HEATING	656 - 666
BODY ELECTRICAL	667 - 740
BODY AND CHASSIS	741 - 909
INTERIOR TRIM	910 - 955
SEATS	956 - 1036
STOWAGE	1037 - 1046
ACCESSORIES - PAINTS	1047 - 1074
NUMERICAL INDEX	1076 - 1151

## GROUP B

## ENGINE

## ENGINE

ENGINE COMPLETE - V8 CARB	248
ENGINE STRIPPED - V8 CARB	249
ENGINE SHORT - V8 CARB	250
CYLINDER BLOCK - V8 CARB	251 - 252
CRANKSHAFT - V8 CARB	253
PISTON & RINGS - V8 CARB	254
SUMP - V8 CARB	255
MOUNTING - V8 CARB	256
FRONT COVER - V8 CARB	257
WATER PUMP - NON VISCOUS - V8 CARB	258
WATER PUMP - VISCOUS - V8 CARB	259
COOLING FAN - V8 CARB	260 - 261
DRIVE BELTS - V8 CARB	262 - 263
OIL PUMP - V8 CARB	264
CYLINDER HEAD - V8 CARB	265 - 266
VALVES & TAPPETS - V8 CARB	267
ROCKER COVER - V8 CARB	268
CAMSHAFT - V8 CARB	269
INLET MANIFOLD - V8 CARB	270
THERMOSTAT & HOUSING - V8 CARB	271
GASKETS INLET MANIFOLD - V8 CARB	272
EXHAUST MANIFOLD - V8 CARB	273
HEATSHIELD - V8 CARB	274
CARBURETTER - V8 CARB	275
CARBURETTER ADAPTORS - V8 CARB	276
FLAME TRAP - V8 CARB	277
AIR INLETS - V8 CARB - NON DETOXED	278
AIR INLETS - V8 CARB - DETOXED	279
BREATHERS - V8 CARB	280
THROTTLE LINKAGE - V8 CARB	281
GASKET KITS - V8 CARB	282
POWER STEERING PUMP 283 MOUNTINGS - V8 CARB	283
AIRCON COMPRESSOR - V8 CARB	284 - 285
COMPRESSOR FIXINGS - V8 CARB	286
AIR CONDITIONING - V8 CARB	287
DISTRIBUTOR - V8 CARB	288
IGNITION COIL - V8 CARB	289
ALTERNATOR - V8 CARB	290 - 291





DEFENDER 110 1987 onwards

247

ENGINE

ALTERNATOR FIXINGS - V8 CARB - NON AIR CON	292 - 293
ALTERNATOR FIXINGS - V8 CARB - WITH AIR CON	294 - 295
ALTERNATOR FIXINGS - V8 CARB	296
STARTER MOTOR - V8 CARB	297 - 298
FLYWHEEL & CLUTCH - V8 CARB	299





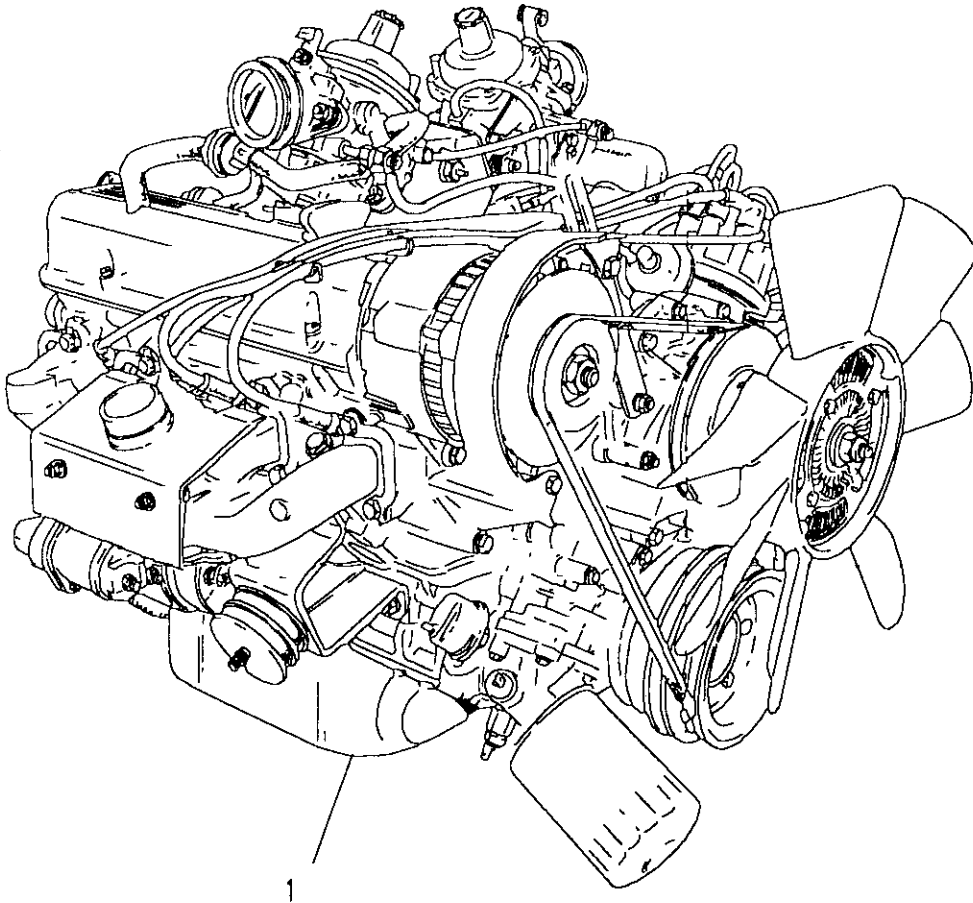


**Model** DEFENDER 110 1987 onwards  
**Page** AFBQAA1A

**ENGINE - ENGINE COMPLETE - V8 CARB**

III. Part No.	Description	Qty	Remarks
1 ETC8445	Engine complete assy	1	Note(1)

Note(1) Engine prefix 24G,engine is basic specification and does not include Air Con/Power Steering,engine is without Air Rails and Detoxed through the Carburetters.



**Model** DEFENDER 110 1987 onwards

**Page** AFBQAC1A

**ENGINE - ENGINE STRIPPED - V8 CARB**

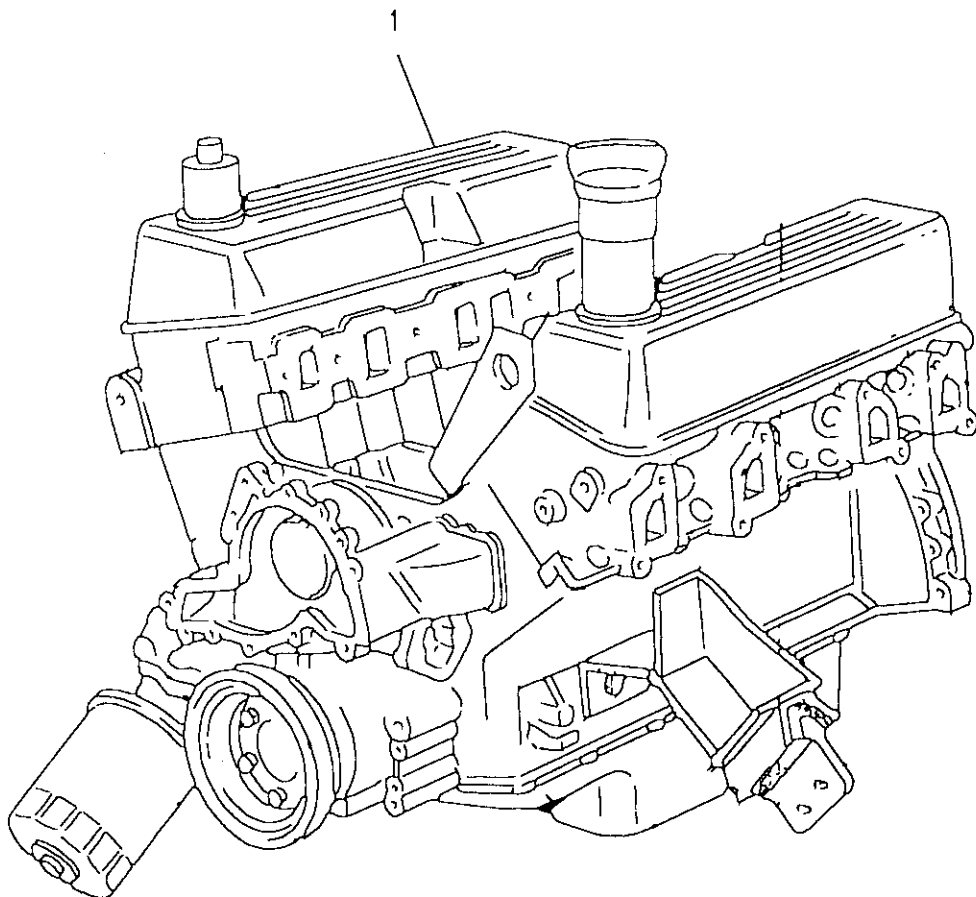
III. Part No.	Description	Qty	Remarks
1 RTC2972N	Engine stripped NON DETOX	1	Note(1)
RTC2972R	Engine stripped NON DETOX	1	Note(2)
RTC4608N	Engine stripped DETOXED	1	Note(3)
RTC5856N	Engine stripped DETOXED	1	Note(4)
RTC5856R	Engine stripped-recon	1	Note(3)
RTC3637R	Engine stripped-recon	1	Note(3)

Note(1) Prefix 20G, this engine to be used if 24G Non Air Rail required air rails not fitted when engine has SU-CARBS

Note(2) Prefix 20G

Note(3) Prefix 24G, if engine with 1/2 bore injection holes is required use RTC3637N, if engine with 5/8 bore injection holes is required use RTC5856N

Note(4) Prefix 24G also see note (1)





DEFENDER 110 1987 onwards

250

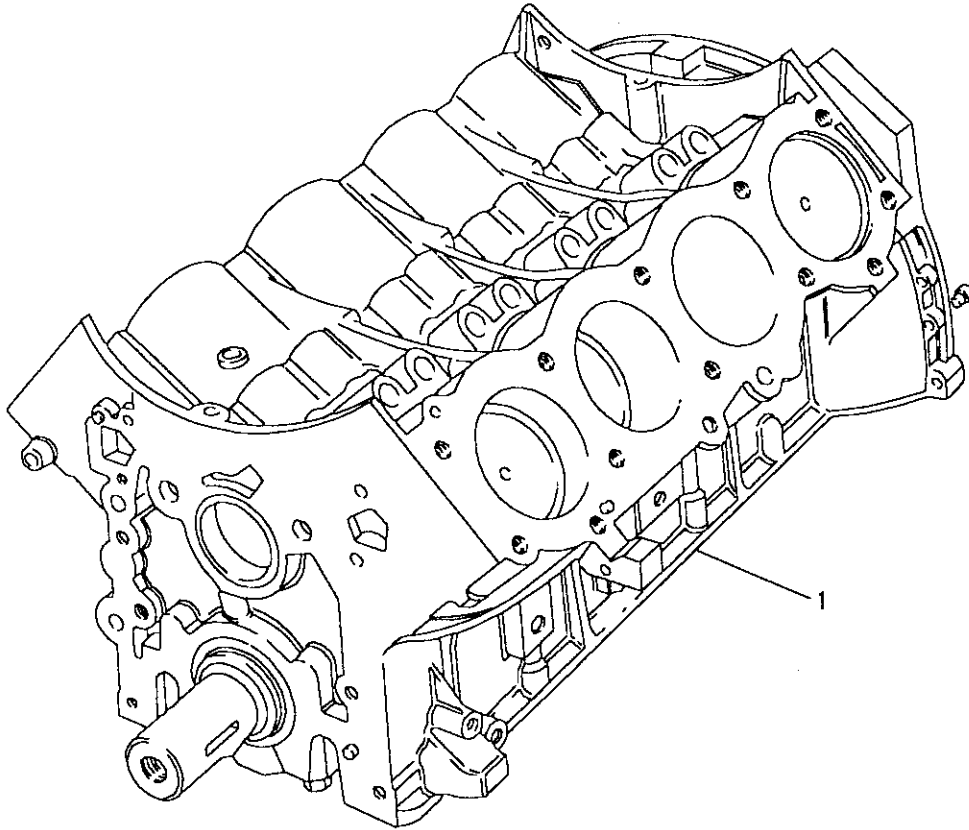
ENGINE

**Model** DEFENDER 110 1987 onwards  
**Page** AFBQAE1A

**ENGINE - ENGINE SHORT - V8 CARB**

Ill. Part No.	Description	Qty	Remarks
1 ETC7714	Engine short	1	Note(1)

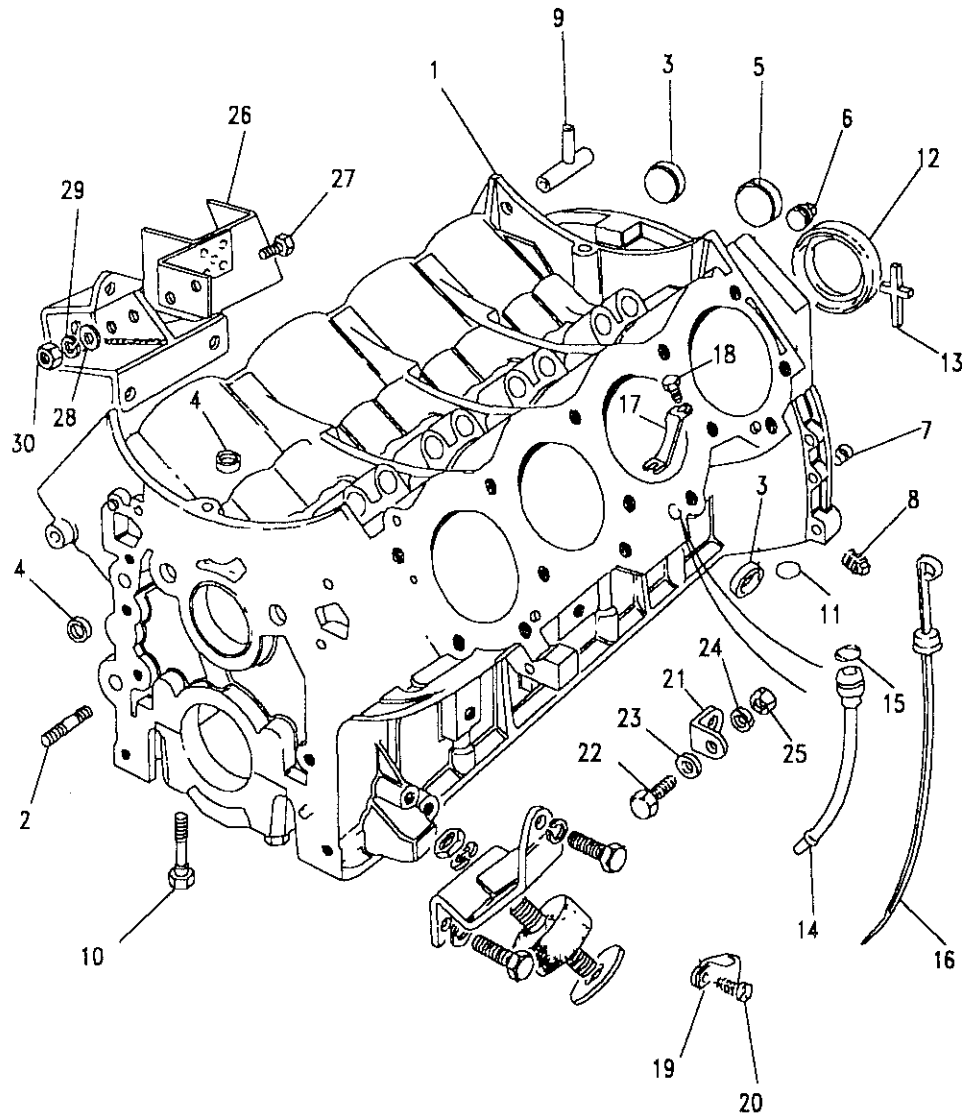
Note(1) Comprises Block,Piston,Crankshaft



**Model** DEFENDER 110 1987 onwards  
**Page** AFBQBA1A

**ENGINE - CYLINDER BLOCK - V8 CARB**

III. Part No.	Description	Qty	Remarks
1	ERC6934	1	Cylinder block assembly
2	252513	1	Stud-timing cover
3	602152	8	Plug
5	602146	1	Plug-cam bore
6	602212	2	Plug-tappet line-rear
7	602141	2	Dowel-flywheel housing
8	3290	2	Plug taper
9	ERC5761	1	Pipe assembly
10	602130	10	Bolt-main bearing cap
11	612898	2	Plug-rear block
12	ERR2640	1	Oil seal crankshaft
13	611089	2	Packing-oil seal

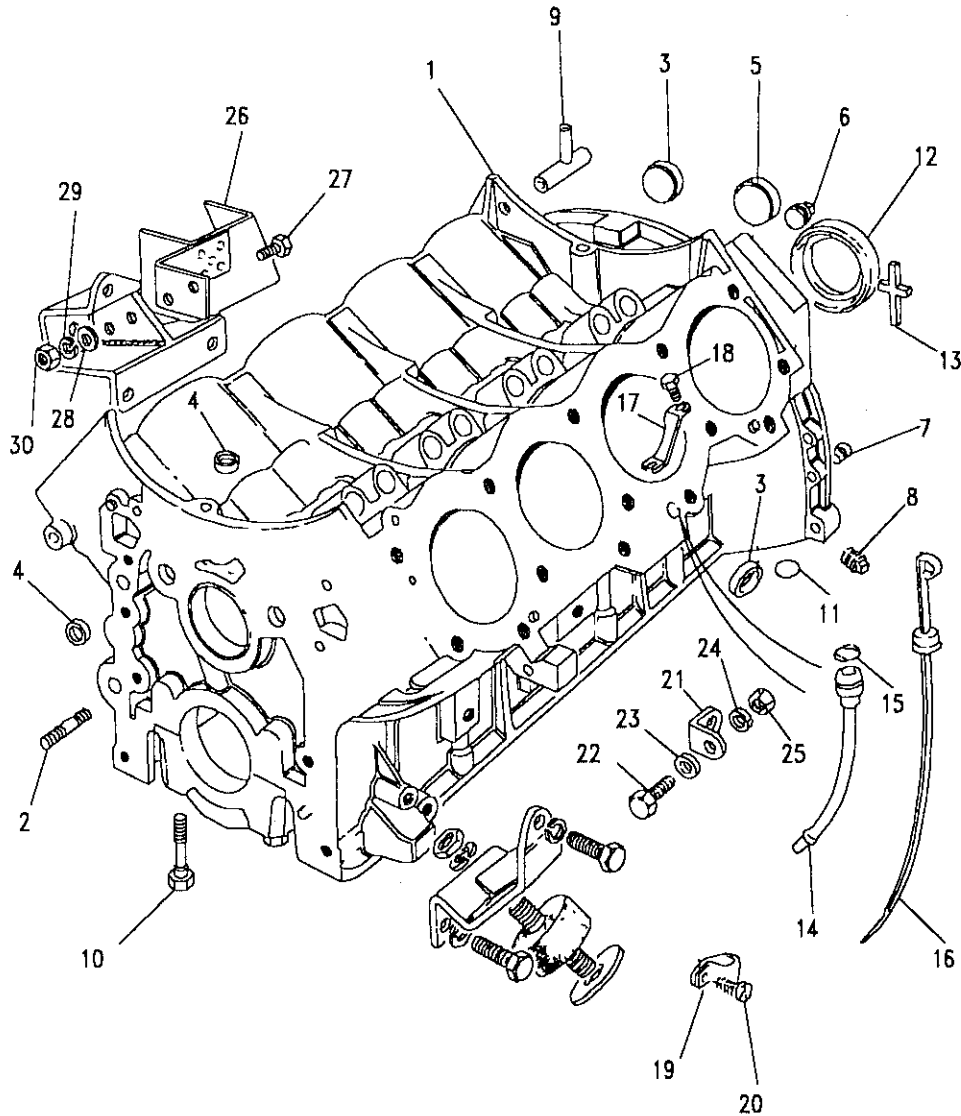




Model DEFENDER 110 1987 onwards  
Page AFBQBA1A

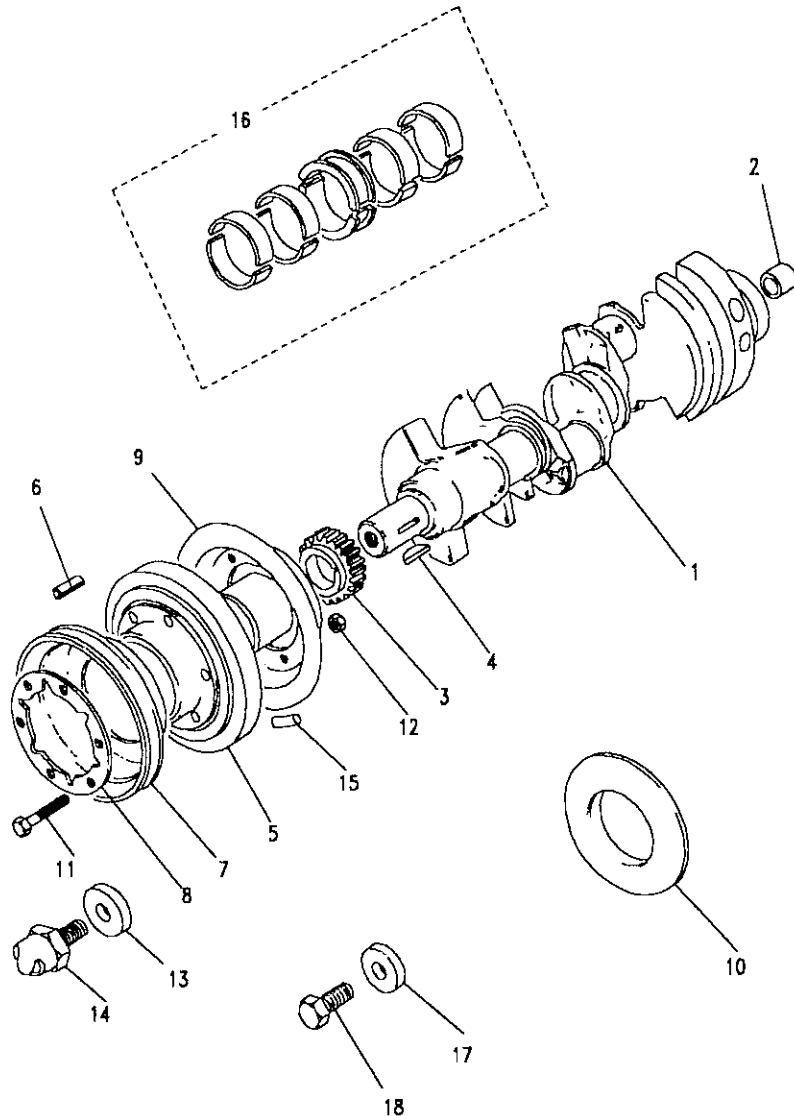
## ENGINE - CYLINDER BLOCK - V8 CARB

III. Part No.	Description	Qty	Remarks
14	ERR4556	1	
15	602545	1	
16	ERR1922L	1	
17	614585	1	
18	SH604031L	1	
19	610489	1	
20	78862	1	}
21	ERC2973	1	
22	257017	1	
23	WA702101L	1	}
24	WM702001L	1	
25	HN2005L	1	
26	NRC3301	1	
	577846	1	
27	BH106051L	4	
28	WA106041L	4	
29	WL106001L	4	
30	NH106041L	4	



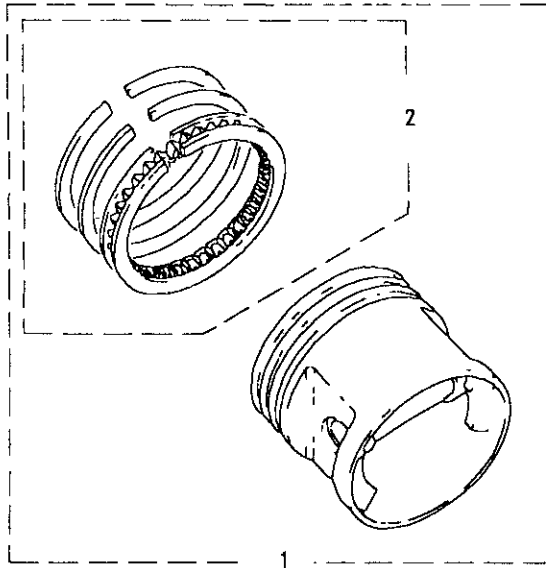
**Model** DEFENDER 110 1987 onwards  
**Page** AFBQCA1A

**ENGINE - CRANKSHAFT - V8 CARB**



Ill. Part No.	Description	Qty	Remarks
1 612989	Crankshaft	1	
2 549911	Spigot bush	1	
3 90602372	Sprocket	1	
4 90602025	Key sprocket crankshaft	1	
5 ETC7339	Damper	1	
6 603535	Spring pin	1	
7 611019	Pulley-basic	1	
ETC4369	Pulley front-p/steering	1	
ETC4354	Pulley front-air con	1	
ETC4330	Pulley rear-p/s & air con	1	
8 602587	Plate reinforcement	1	
9 603301	Rim balancing	1	
10 613671	Mud deflector	1	Note(1)
11 BH605121L	Bolt Basic and aircon	6	
BH605131L	Bolt-P.A.S.	6	
12 NH605041L	Nut	3	
13 602411	Washer	1	
14 610178	Starting dog	1	
15 ERC4877	Balance weight 0.18 oz	2	
ERC4878	Balance weight 0.36 oz	2	
ERC4879	Balance weight 0.54 oz	2	
ERC4880	Balance weight 0.72 oz	2	
16 RTC1718	Bearing set main standard	1	)
RTC171810	Bearing set main .010"o/s	1	)Note(2)
RTC171820	Bearing set main .020"o/s	1	)
17 ERC416	Washer	1	
18 ERC417	Bolt-damper to crankshaft	1	

Note(1) 613671 not needed when ERR1632 oil seal fitted (front cover)  
 Note(2) Later type does not have thrust plate on lower half of centre bearing, and is fully interchangeable

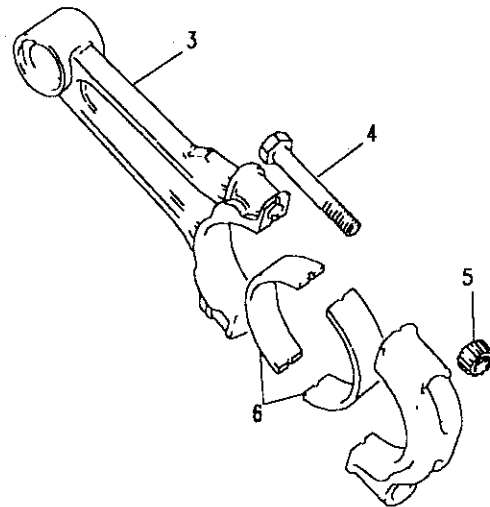


Model DEFENDER 110 1987 onwards  
Page AFBQCC1A

ENGINE - PISTON & RINGS - V8 CARB

III. Part No.	Description	Qty	Remarks
1 RTC2186S	Piston assembly standard	8	Note(1)
RTC218620	Piston assembly .020"o/s	8	Note(1)
2 RTC2408	Piston ring kit standard	8	
RTC240820	Piston ring kit .020"o/s	8	
3 602082	Con rod assembly	8	
4 602609	Bolt	16	
5 602061	Nut	16	
<b>Con Rod Bearing: Engine Set.</b>			
6 RTC2117	Bearing set big end	1	Standard
RTC211710	Bearing set big end	1	0.010"o/size
RTC211720	Bearing set big end	1	0.020"o/size

Note(1) Includes gudgeon pin and piston rings.

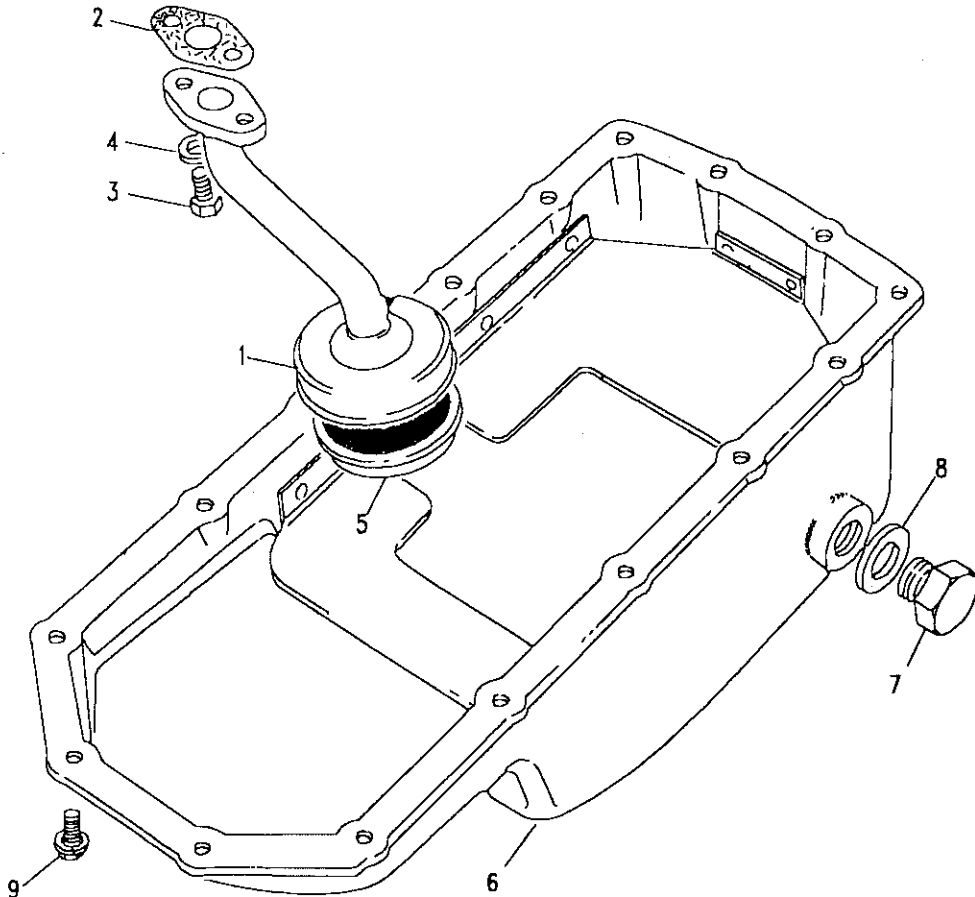


**Model** DEFENDER 110 1987 onwards  
**Page** AFBQDA1A

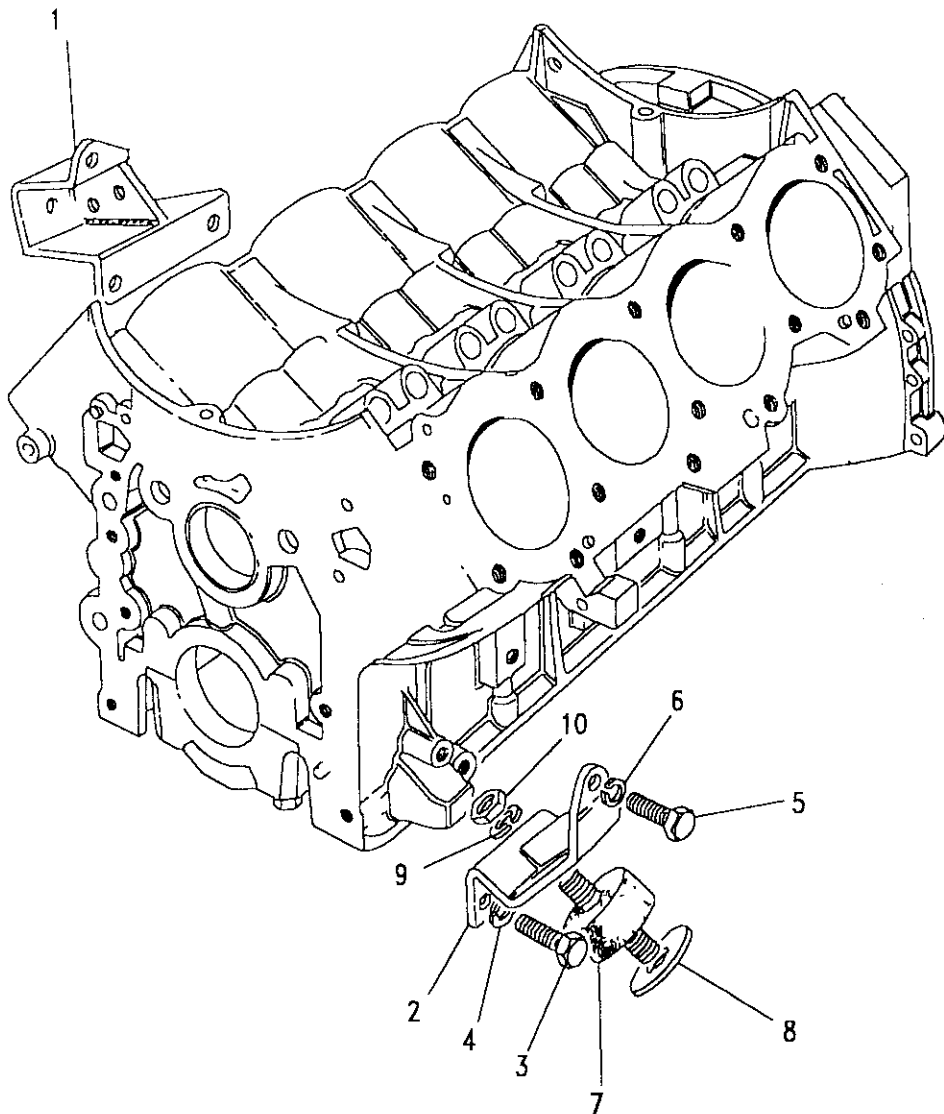
**ENGINE - SUMP - V8 CARB**

III. Part No.	Description	Qty	Remarks
1	ERR3677	1	Pipe oil suction
2	ERR3788	1	Gasket oil strainer
3	SH506081L	2	Screw
4	WM600041L	2	Washer spring
5	602070	1	Screen oil
6	ERR4633	1	Sump
7	603659	1	Plug drain
8	213961	1	Washer joint
9	602199	16	Screw

Note(1) No gasket-use RTV hylsil 102 Refer workshop manual-section 12







Model DEFENDER 110 1987 onwards  
 Page AFBQDC1A

**ENGINE - MOUNTING - V8 CARB**

III. Part No.	Description	Qty	Remarks
1	NRC1302	1	Mounting foot RH
2	NRC3314	1	Mounting foot LH
3	SH507091L	4	Screw
4	WM600071L	4	Washer spring
5	SH505071L	2	Screw
6	WM600051L	2	Washer spring
7	RTC6115	2	Kit engine mounting
8	WC110061L	2	Washer plain
9	WL110001L	4	Washer spring
10	NH110041L	4	Nut

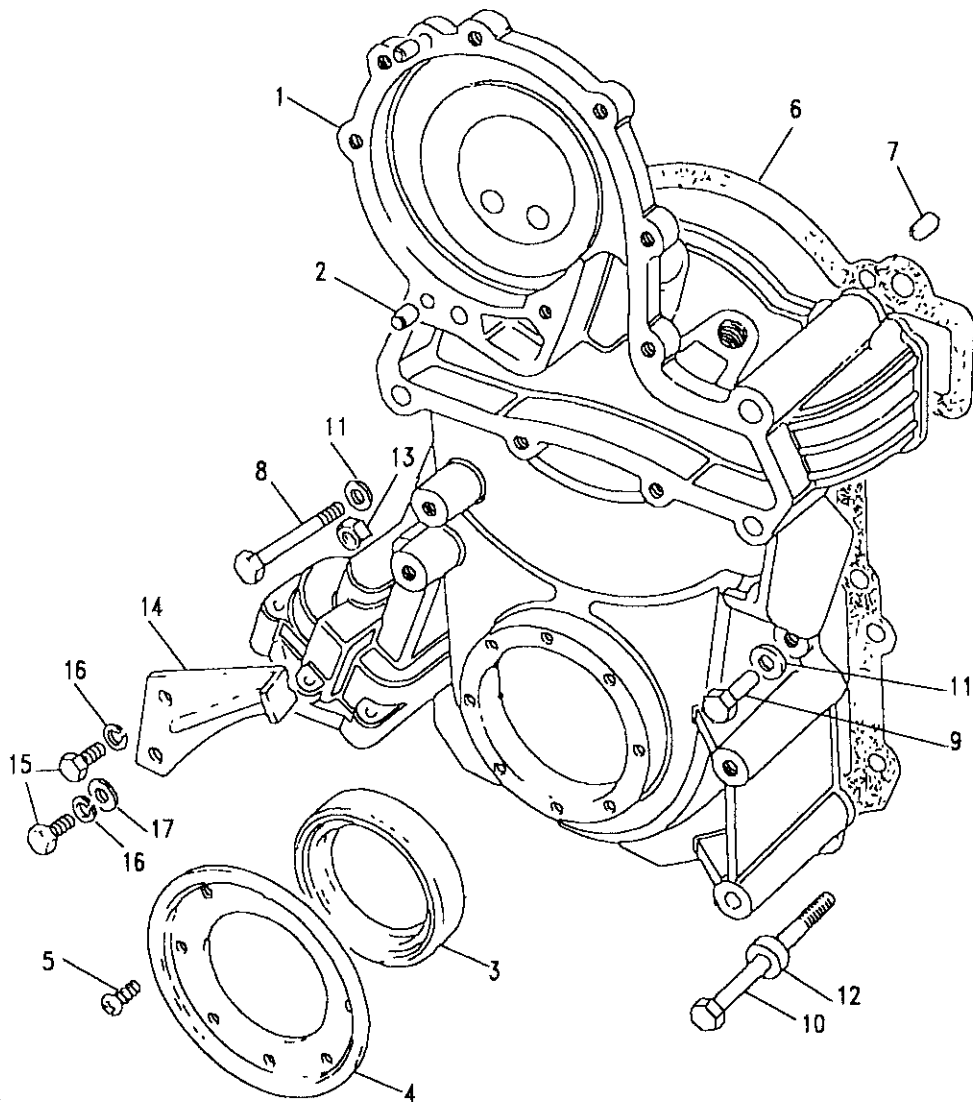
Model DEFENDER 110 1987 onwards

Page AFBQE1A

ENGINE - FRONT COVER - V8 CARB

III. Part No.	Description	Qty	Remarks
1	ETC7385	1	
2	602201	2	
3	ERR1632	1	
4	247766	1	)Note(1)
5	78782	8	
	154545	1	)
6	ERR4936	1	
7	90602202	2	
8	BH505241L	1	
9	SH505091L	2	
10	602388	1	
11	WA108051L	4	
12	4075L	1	
13	NH605041L	1	
14	ETC7345	1	
15	SH504051L	2	
16	WM600041L	2	
17	RTC609	1	

Note(1) Not to be used when new oil seal ERR1632 is fitted





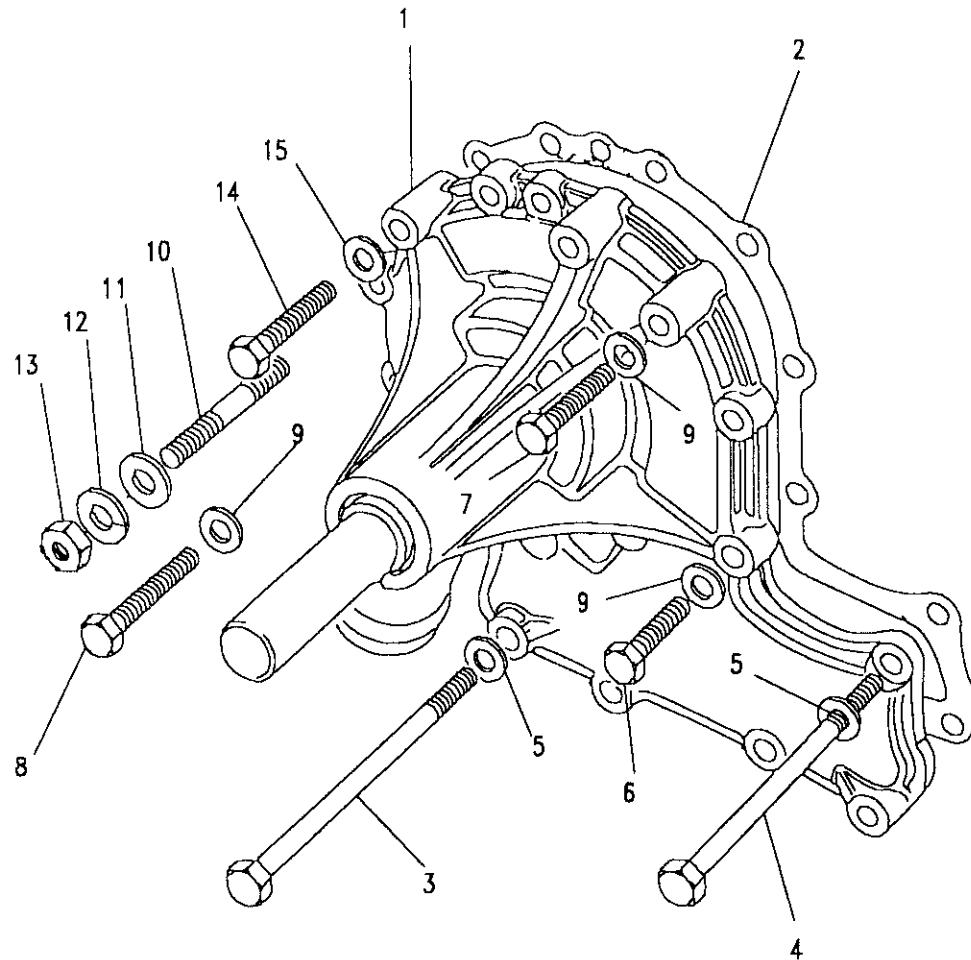
Model DEFENDER 110 1987 onwards

Page AFBQEE1A

ENGINE - WATER PUMP - NON VISCOUS - V8 CARB

III. Part No. Description Qty Remarks

1	STC1611	Pump water	1	
2	ERR2428	Gasket	1	
3	BH505401L	Bolt	3	
4	BH505381L	Bolt	1	
5	WA108051L	Washer plain	4	
6	BH504101L	Bolt	6	
7	BH504151L	Bolt	2	
8	BH504161L	Bolt	1	
9	WC106041L	Washer plain	9	
10	252516	Stud	1	
11	4421	Washer plain	1	
12	WM600051L	Washer spring	1	
13	NT605041L	Locknut	1	
14	BH505121L	Bolt	1	
15	WM600051L	Washer spring	1	





DEFENDER 110 1987 onwards

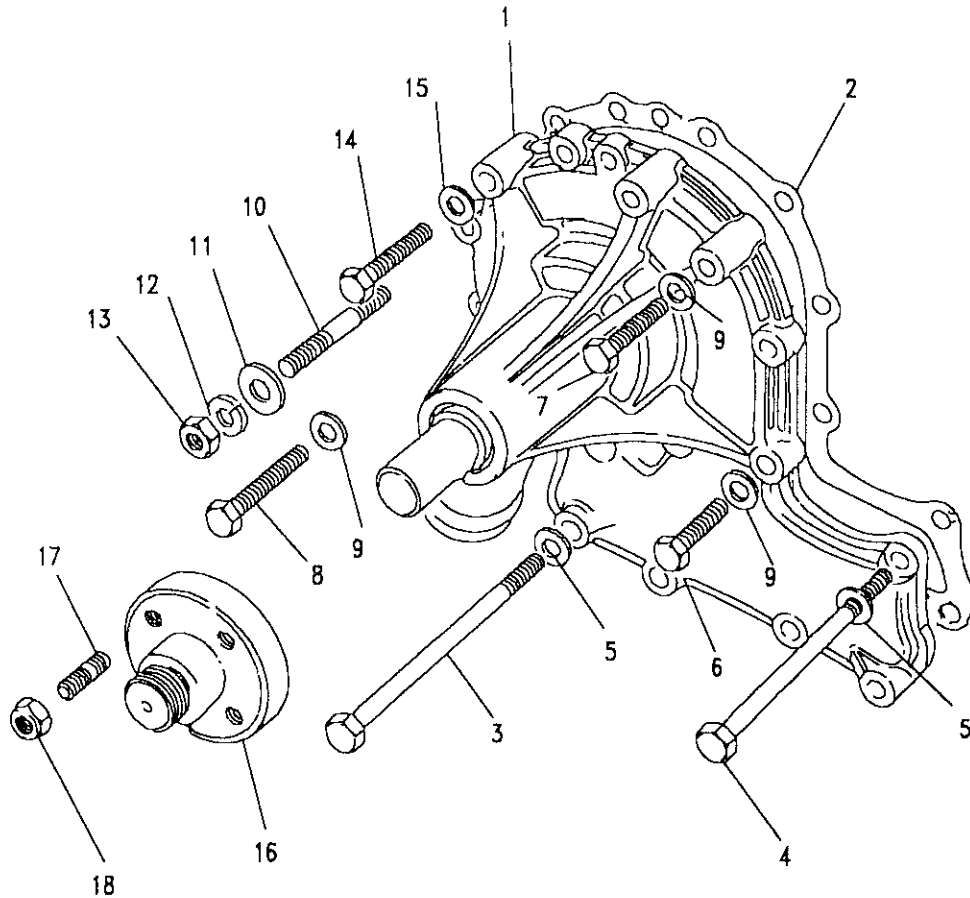
259

ENGINE

Model DEFENDER 110 1987 onwards

Page AFBQEE2A

ENGINE - WATER PUMP - VISCOUS - V8 CARB



III. Part No.	Description	Qty	Remarks
1	STC487	1	NON AIR CON
	STC488	1	AIR CON
2	ERR2428	1	Gasket
3	BH505401L	3	Bolt-non air con
	BH505401L	1	Bolt-air con
4	BH505381L	1	Bolt
5	WA108051L	4	Washer
6	BH504101L	6	Bolt
7	BH504151L	2	NON AIR CON
8	BH505161L	1	or P.A.S.
9	WC106041L	9	Washer
	BH504101L	2	Bolt
	BH505121L	2	AIR CON
	WM600051L	2	Spring Washer
	WC106041L	3	Washer
	BH504101L	4	Bolt
	BH504151L	2	P.A.S.
	BH504161L	1	Bolt
	WC106041L	7	Washer
10	252516	1	Stud-Pump to Timing Cover
11	4421	1	Washer
12	WM600051L	1	Washer spring
13	NT605041L	1	Locknut
14	BH505121L	1	Bolt
15	WM600051L	1	Washer spring
16	ERC5705	1	Hub assembly
17	TE108041L	1	Stud
18	NY108041L	4	Nut nyloc





DEFENDER 110 1987 onwards

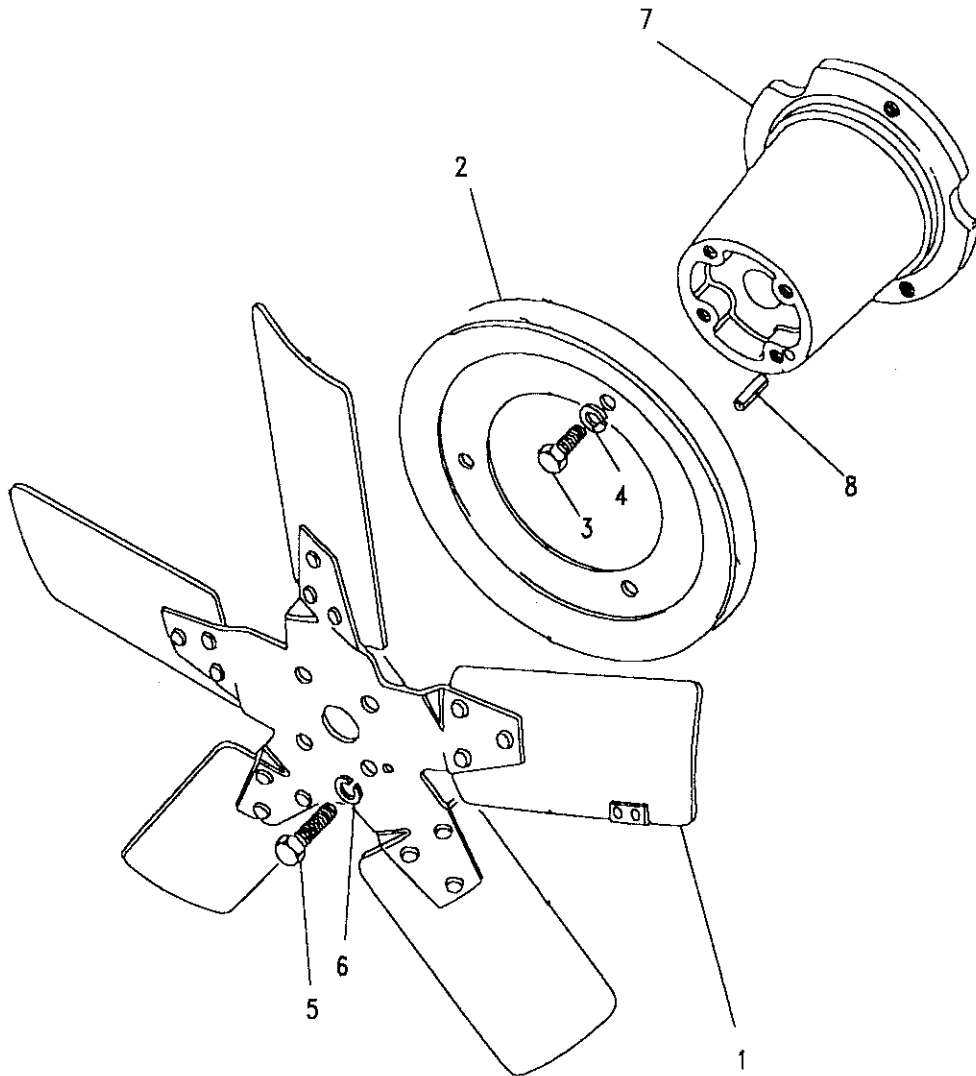
260

ENGINE

Model DEFENDER 110 1987 onwards  
Page AFBQEG1A

ENGINE - COOLING FAN - V8 CARB

III. Part No.	Description	Qty	Remarks
1 613087	Fan assembly 5 blade	1	
2 602582	Pulley	1	
3 SH504051L	Screw-pulley to hub	3	
4 WM600041L	Washer spring	3	
5 SH505061L	Screw-fan to pump	4	
6 WM600051L	Washer spring	4	
7 610578	Hub assembly	1	
8 603428	Spring pin	1	





DEFENDER 110 1987 onwards

261

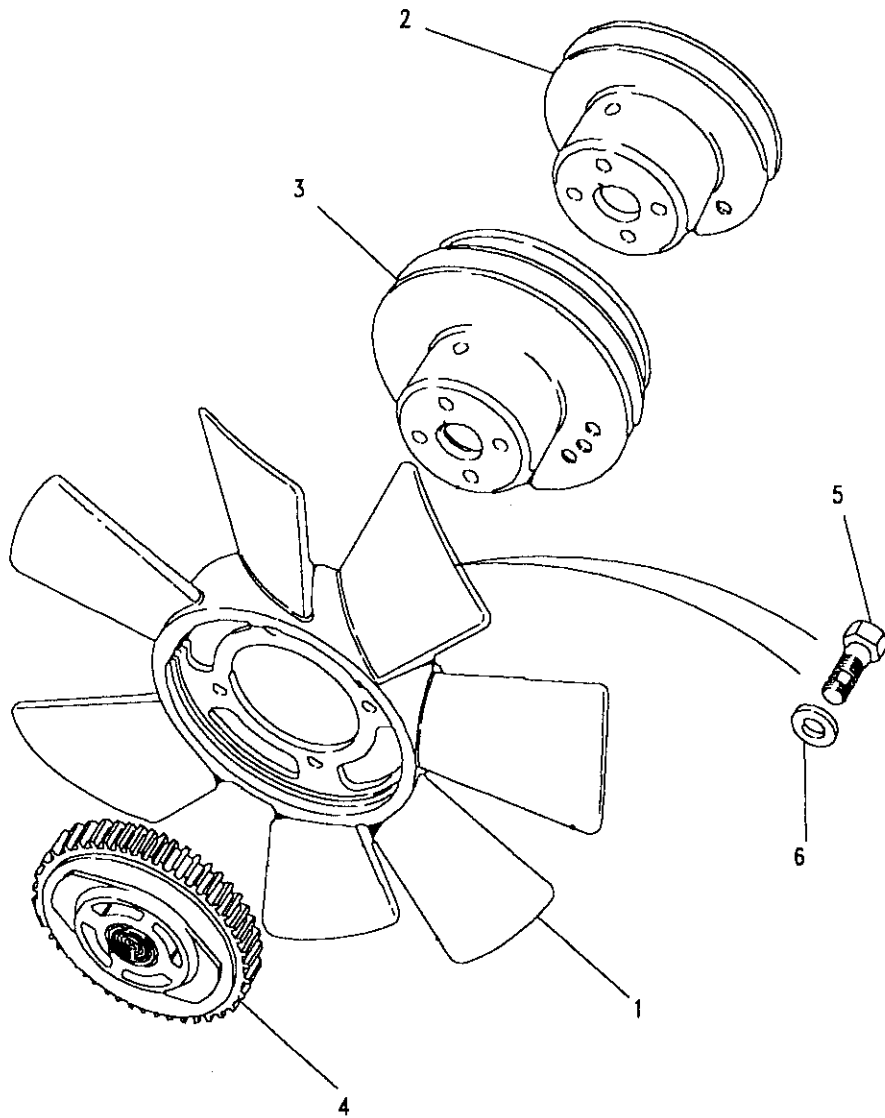
ENGINE

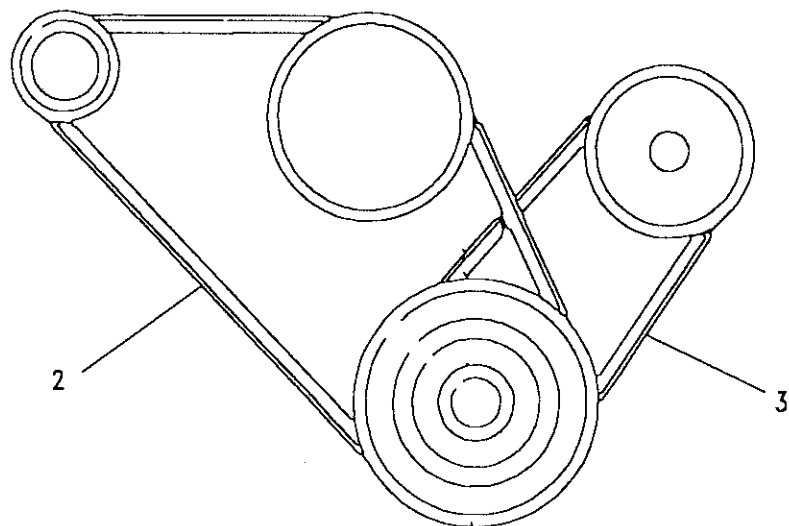
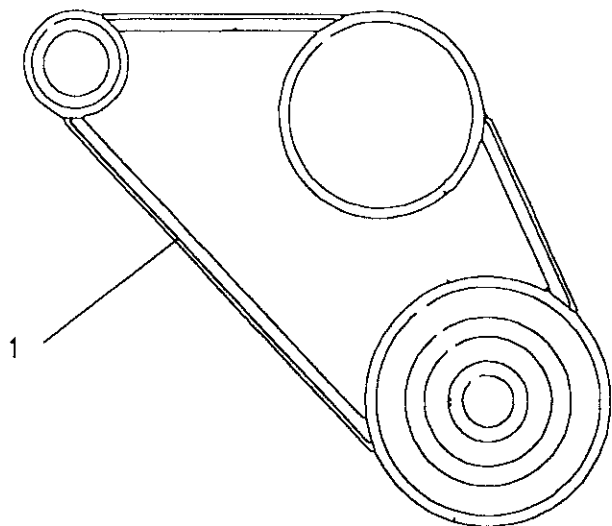
**Model** DEFENDER 110 1987 onwards  
**Page** AFBQEG2A

**ENGINE - COOLING FAN - V8 CARB**

III. Part No.	Description	Qty	Remarks
1 ETC7553L	Fan-7 blades	1	
ERC8164	Fan-11 blades	1	OPTIONAL
2 ERC5707	Pulley-single groove	1	
3 ERC6540	Pulley-twin groove	1	Note(1)
4 ERC5708	Viscous drive	1	
5 ERC5709	Bolt-fan to viscous drive	4	
6 4589L	Washer-fan to viscous	4	

Note(1) Used on AIR CON or POWER STEERING





**Model** DEFENDER 110 1987 onwards  
**Page** AFBQEG3A

**ENGINE - DRIVE BELTS - V8 CARB**

III. Part No.	Description	Qty	Remarks
1 ETC7394	Belt-driving-fan & alt	1	Note(1)
2 ETC7394	Belt-driving-fan & alt	1	
3 ERC675	Belt-driving-pump, P/S	1	

Note(1) Used on BASIC vehicles-with 45AMP alternators





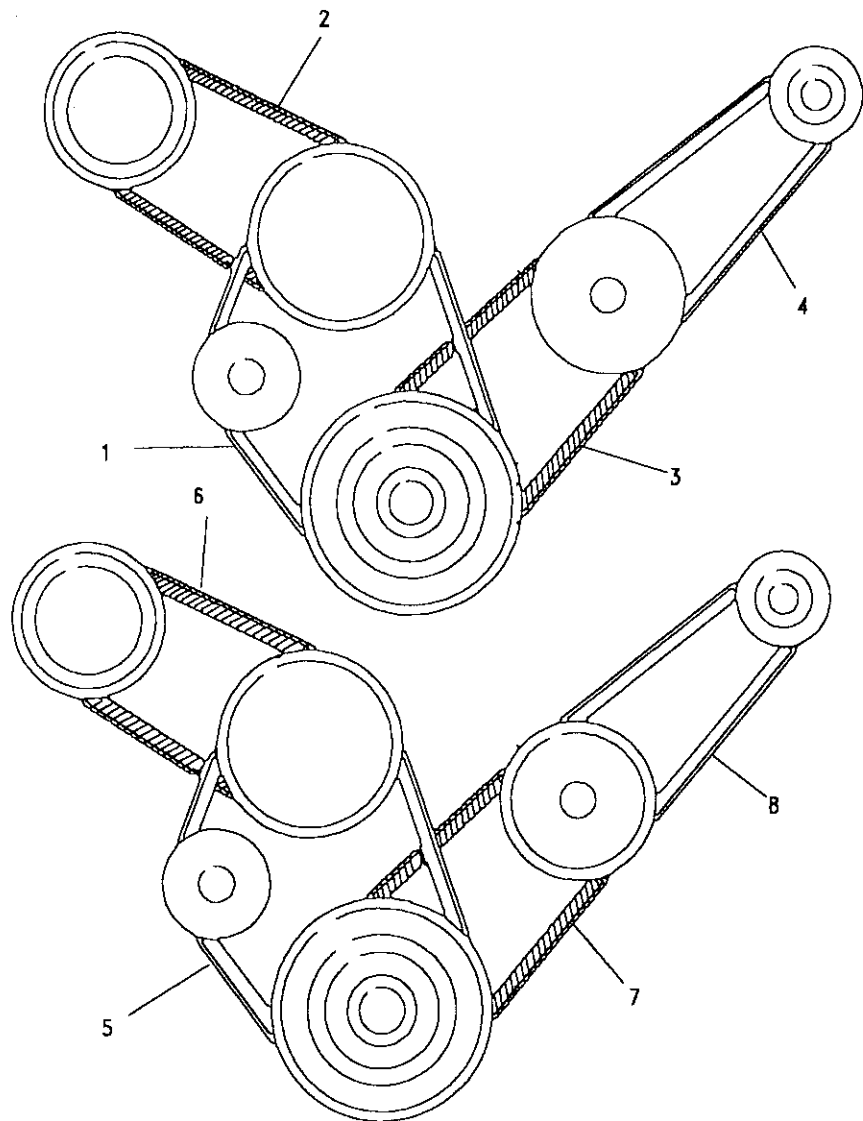
Model DEFENDER 110 1987 onwards  
Page AFBQEG4A

ENGINE - DRIVE BELTS - V8 CARB

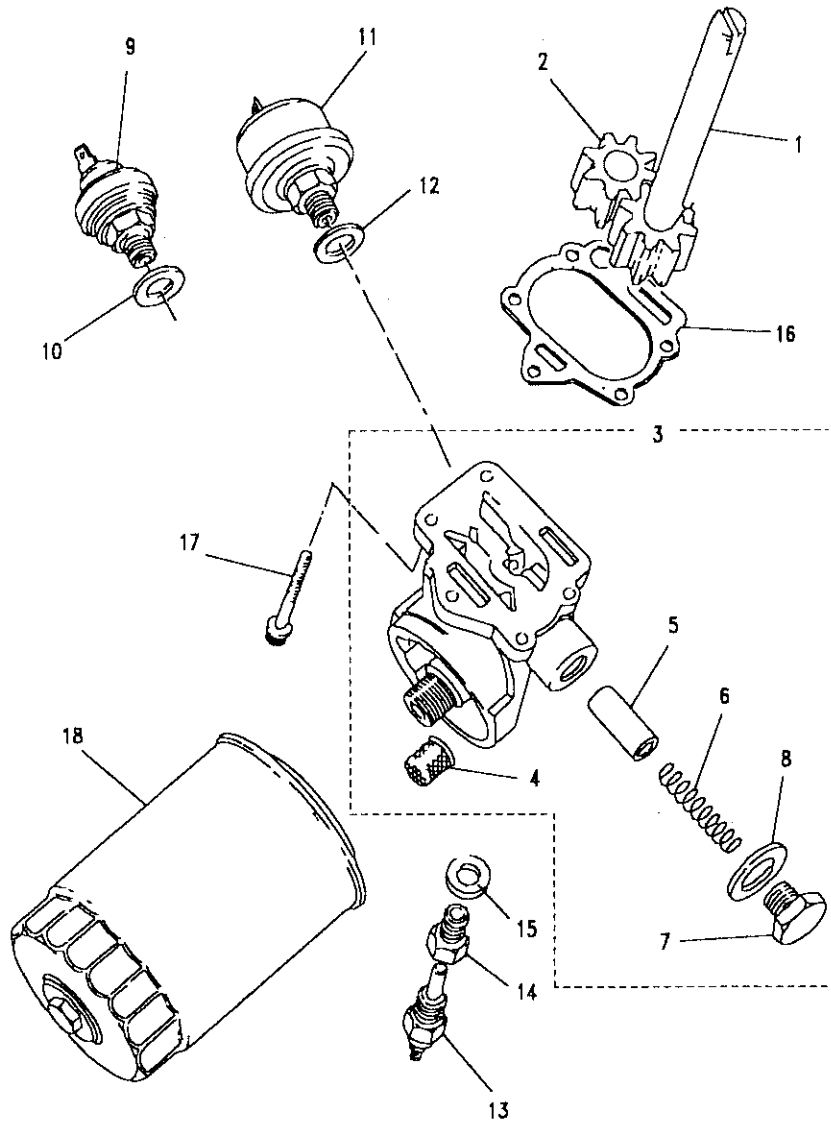
III. Part No.	Description	Qty	Remarks
1 614670	Belt-driving-fan	1	) Note(1)
2 603713	Belt-driving-air/comp	1	
3 ERC675	Belt-driving-idler	1	) Note(2)
4 ERR2073	Belt-driving-alternator	1	
5 614670	Belt-driving-fan	1	) Note(2)
6 603713	Belt-driving-air/comp	1	
7 ERC675	Belt-driving-pump, P/S	1	) Note(2)
8 ERR2073	Belt-driving-alternator	1	

Note(1)  
Note(2)

Used with AIR CONDITIONING  
Used with AIR CONDITIONING and POWER STEERING







**Model** DEFENDER 110 1987 onwards  
**Page** AFBQFA1A

**ENGINE - OIL PUMP - V8 CARB**

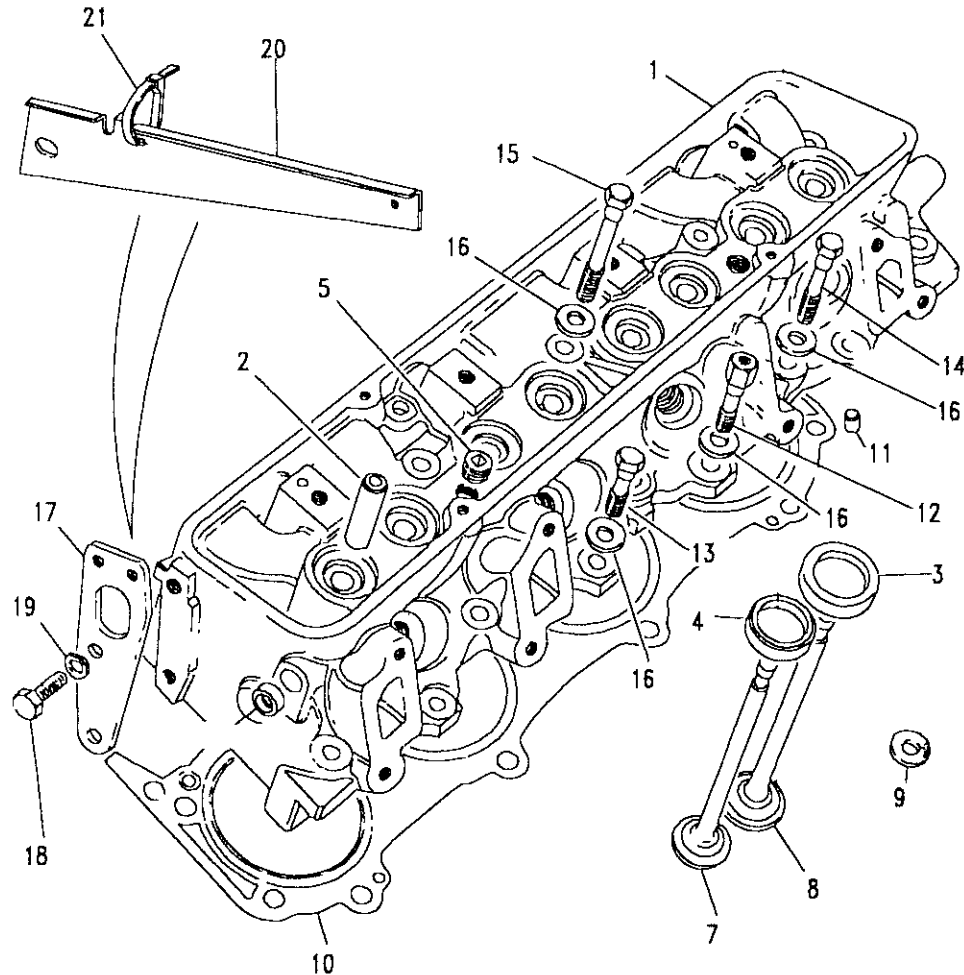
III. Part No.	Description	Qty	Remarks
1 ERC1351	Pump oil assembly	1	
2 614037	Gear	1	
3 ETC4276	Cover oil pump assy	1	
4 614202	Strainer	1	
5 90602064	Valve relief	1	
6 602067	Spring	1	
7 602071	Cap	1	
8 ETC8833	Washer joint	1	
9 PRC7204	Switch oil pressure	1	Upto JAN1993
AMR2092	Switch oil pressure	1	From JAN1993
10 243968	Washer joint	1	
11 DRC2479	Transducer oil pressure	1	
12 243967	Washer joint	1	
13 PRC2507	Transmitter oil temp	1	
14 611514	Adaptor-transmitter	1	
15 243968	Washer joint	1	
16 90602072	Gasket-pump to cover	1	Upto 13/4/1992
ERR1990	Gasket-pump to cover	1	From 13/4/1992
17 602912	Bolt	2	
602910	Bolt	3	
602913	Bolt	1	
18 ERR3340	Filter oil	1	
RTC4477	Kit repair-oil pump	1	

**Model** DEFENDER 110 1987 onwards  
**Page** AFBQGA1A

**ENGINE - CYLINDER HEAD - V8 CARB**

III. Part No.	Description	Qty	Remarks
1	ERC215	2	Note(1)
	ETC6471	2	Note(2)
	ERC3346L	2	Note(3)
	ERR3650	2	From Nov 91
	ERR4735	2	Note(4)
2	603554	16	
	ERR3648	16	From Nov 91
3	ERC224	8	
	ERC225	8	
4	ERC210	8	
	ERC211	8	
5	602123	4	
6	602289	4	
7	STC1122	8	
	ERR2551	8	From Nov 91
8	STC1121	8	
	ERR1780	8	From Nov 91
9	ERC7865	8	
	ERR1782	8	From Nov 91
10	603796	2	
11	602040	4	

Note(1) Engine Prefix 20G NON DETOXED  
 Note(2) Engine Prefix 24G DETOXED with air rails  
 Note(3) Engine Prefix 24G DETOXED without air rails  
 Note(4) From engine 24G13114A



**Model** DEFENDER 110 1987 onwards  
**Page** AFBQGA1A

**ENGINE - CYLINDER HEAD - V8 CARB**

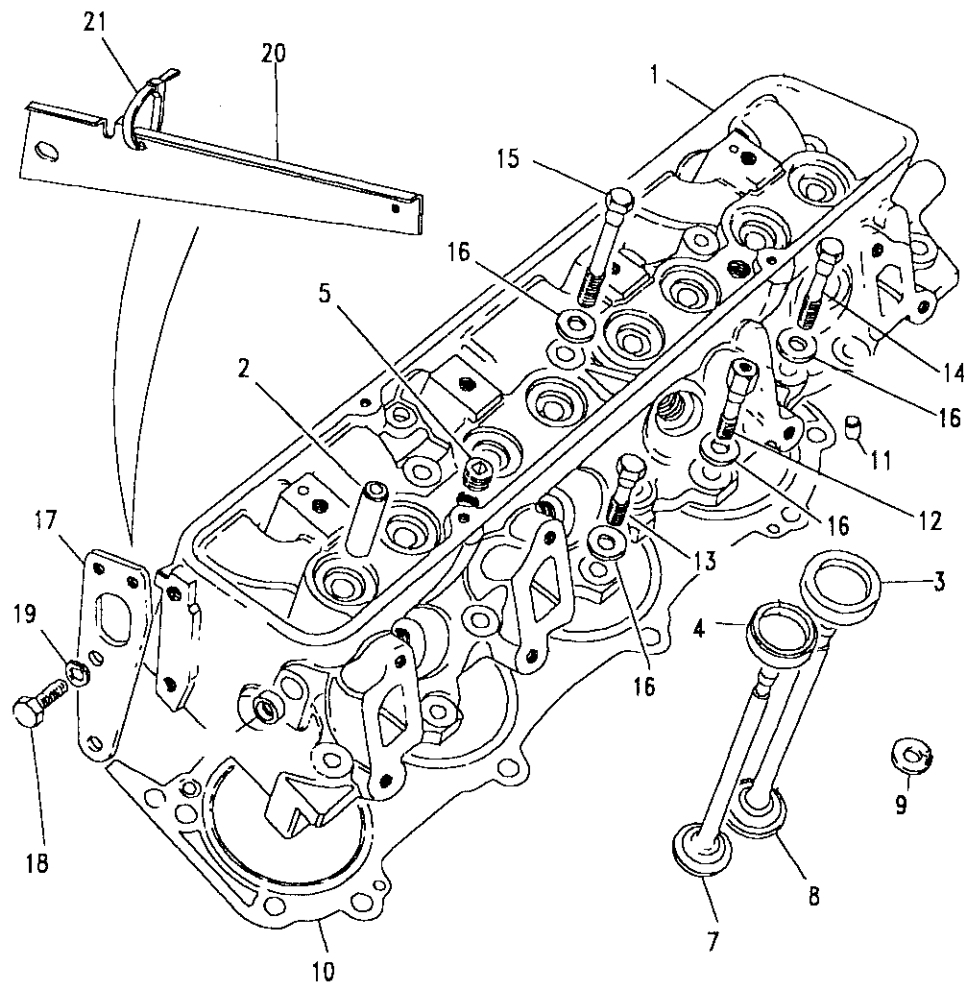
**III. Part No.**

**Description**

**Qty Remarks**

12	90614584	Bolt	1	
13	602191	Bolt	7	
14	602192	Bolt	14	NON AIR CON
	602192	Bolt	13	AIR CON
	ERR2943	Bolt flanged 66mm	13	Note(1)
15	602193	Bolt	6	
	ERR2944	Bolt flanged 96mm	6	Note(1)
16	602098	Washer plain	28	
	602098	Washer plain	1	)Note(1)
	602200	Stud 7/16unc x 2.71	1	)
17	603031	Bracket lifting-front LH	1	BASIC
	90611812	Bracket lifting-front LH	1	P.A.S.
18	SH506071L	Screw	2	)NON P.A.S.
19	WM600061L	Washer spring	2	)
	SH506071L	Screw	3	)AIR CON
	WM600061L	Washer spring	3	)and P.A.S.
	SA506081L	Screw	1	)
20	ERC2920	Bracket	1	)NON AIR CON
21	DRC1538	Strap	2	)
	ETC6474	Plug-pulsair	2	

Note(1) From engine 24G13114A

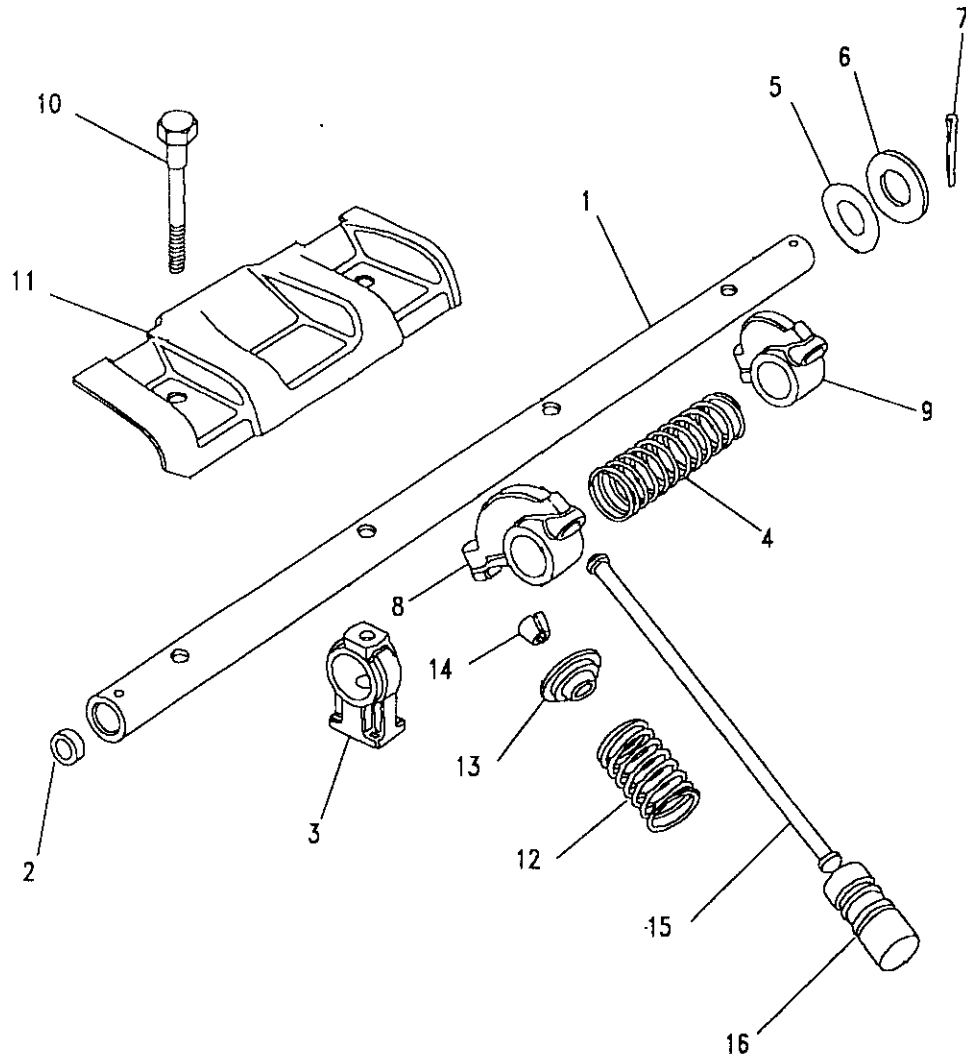


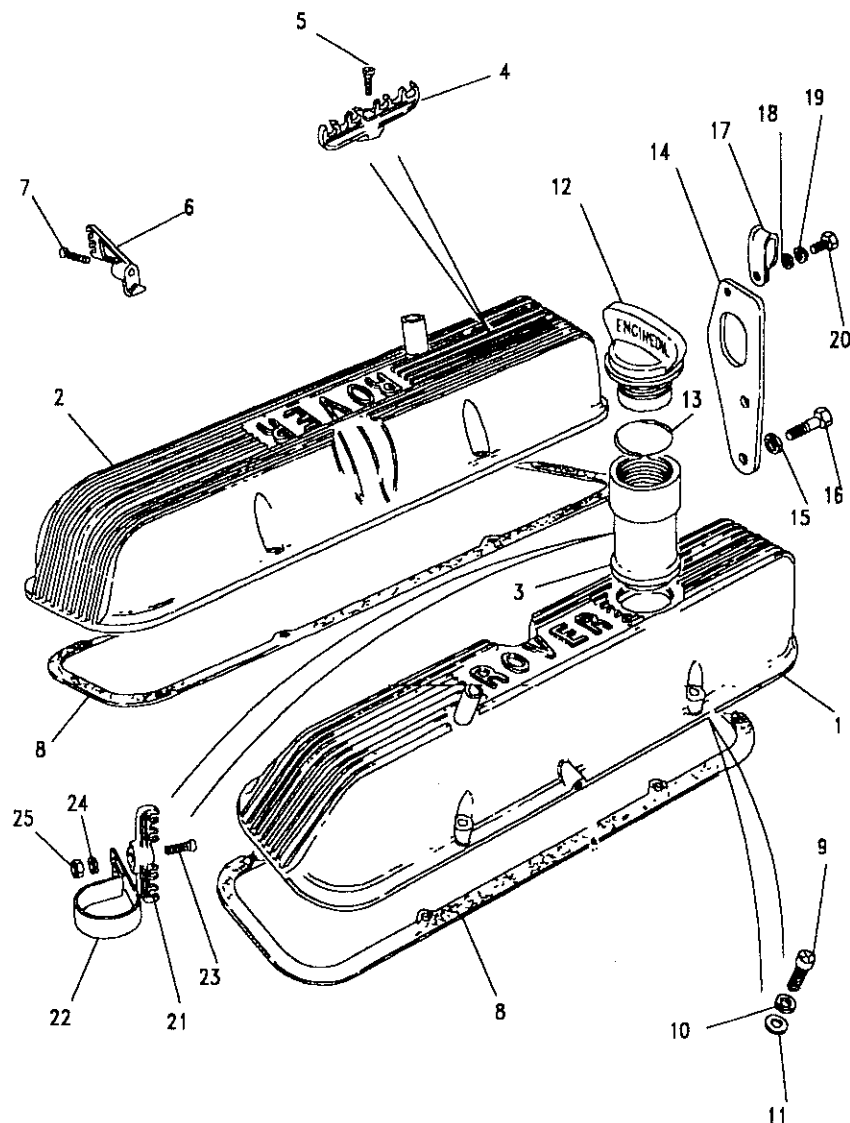
Model DEFENDER 110 1987 onwards

Page AFBQGC1A

ENGINE - VALVES & TAPPETS - V8 CARB

III. Part No.	Description	Qty	Remarks
1	611659L	2	Shaft rocker assembly
2	154545	4	Plug
3	603734	8	Bracket pedestal
4	602142	6	Spring
5	602148	4	Spring shafts end
6	602186	4	Washer
7	PS606101L	4	Split pin
8	602153	8	Valve rocker assy RH
9	602154	8	Valve rocker assy LH
10	602097	8	Bolt UNF
11	602172	2	Baffle oil
12	ERR4628	16	Spring valve
13	ERR1921	16	Cap valve spring
14	ERC1637	32	Cotter split
15	603378	16	Push rod-valves
16	ERC4949	16	Tappet hydraulic





Model DEFENDER 110 1987 onwards  
Page AFBQGG1A

## ENGINE - ROCKER COVER - V8 CARB

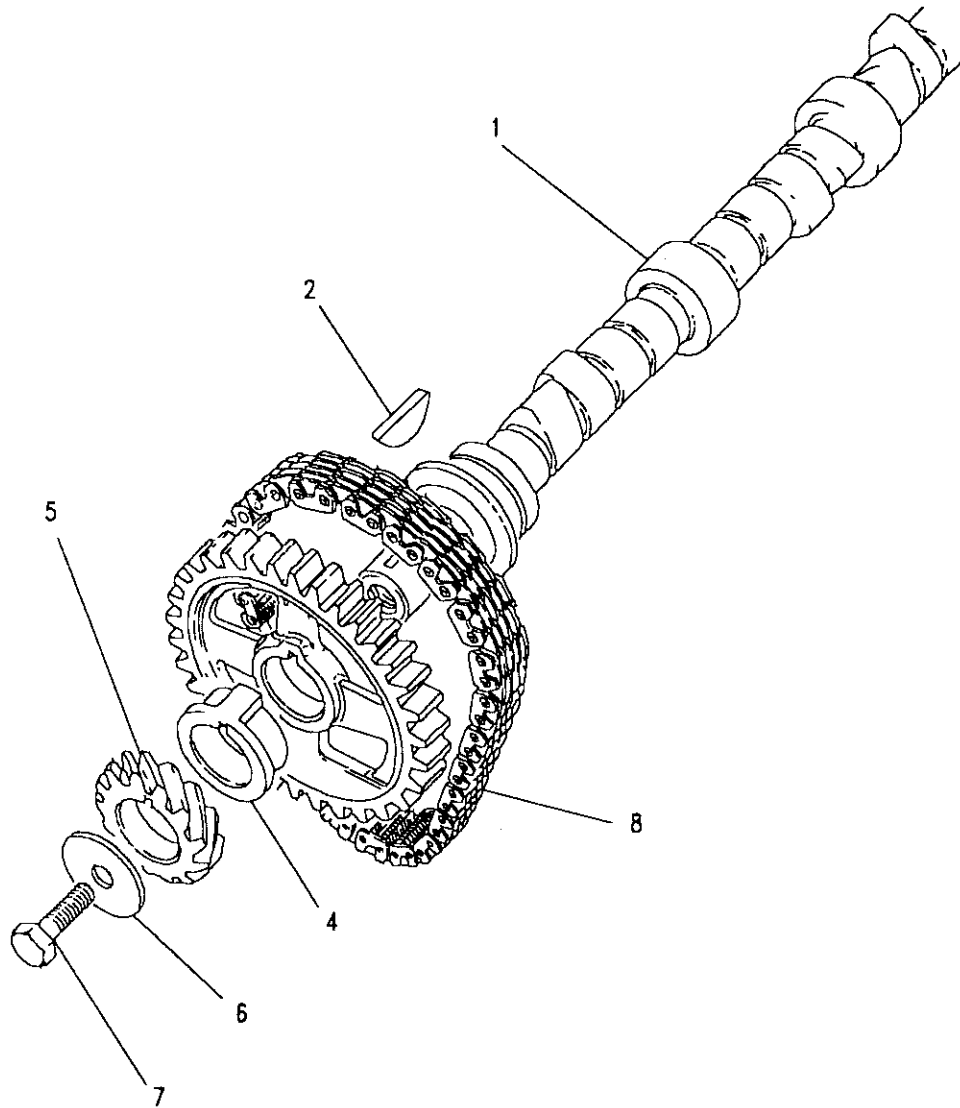
III. Part No.	Description	Qty	Remarks
1	RTC2348	1	Rocker cover RH
2	RTC2349	1	Rocker cover LH
3	ERC2989	1	Filler oil
4	ERC5512	1	Retainer HT cables
5	78862	1	Screw 10UNC x 0.562"
6	603675	1	Retainer HT cables
7	78861	1	Screw 10UNC x 0.625"
8	602512	2	Gasket cover/head
9	603127	4	Bolt
	SY504072L	4	Bolt
10	WM600041L	8	Washer spring
11	WB106041L	8	Washer plain
12	625038	1	Cap filler
13	564258	1	'O' ring cap
14	ERC614	1	Bracket lifting rear
15	WM600061L	2	Washer spring
16	SH506071L	2	Screw
17	586440	1	Clip cable
18	WM600041L	1	Washer spring
19	WB106041L	1	Washer plain
20	SH604041L	1	Screw
21	ERC2144	1	Spacer HT/LT leads
22	603184	1	Clip-leads to filler neck
23	78593	2	Screw 10UNF x 0.5"
24	WA702101L	2	Washer plain
25	HN2005L	2	Nut
	ERC5594	2	Bracket plug leads
	78861	2	Screw for bracket

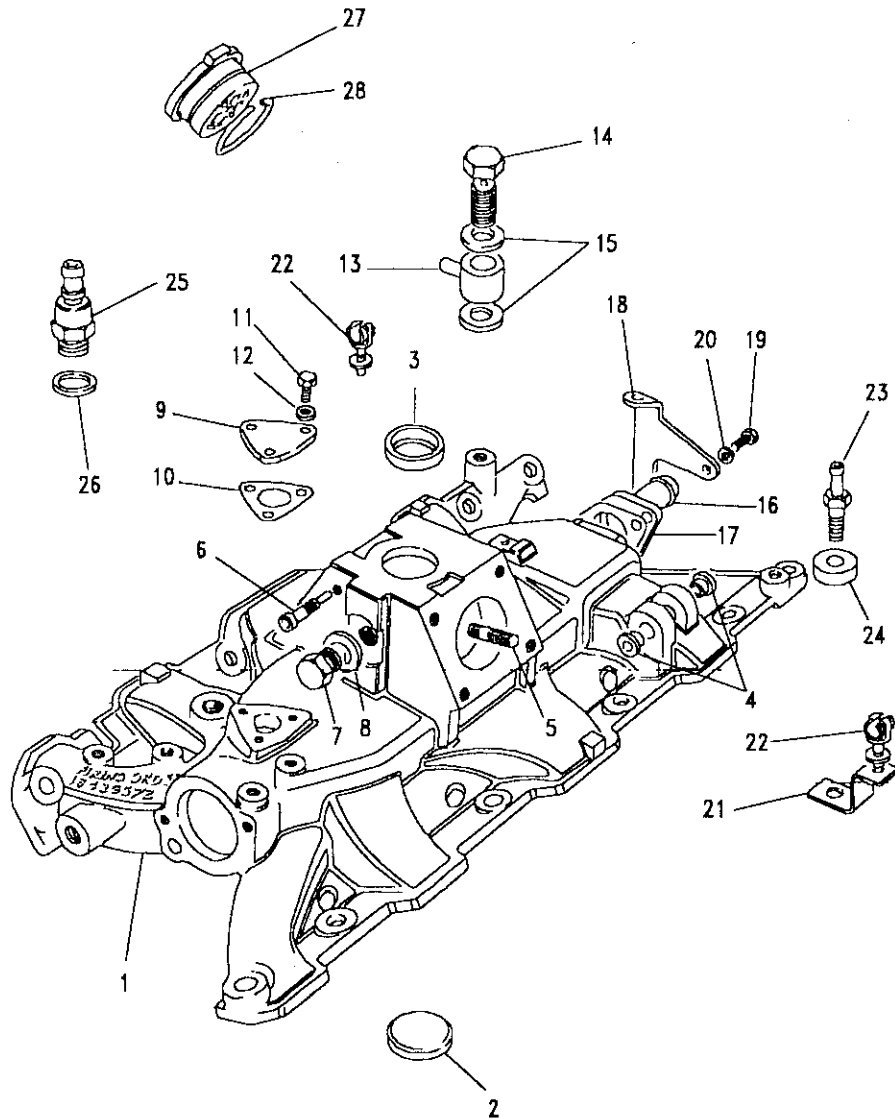


**Model** DEFENDER 110 1987 onwards  
**Page** AFBQG11A

**ENGINE - CAMSHAFT - V8 CARB**

III. Part No.	Description	Qty	Remarks
1 ETC6849	Camshaft	1	20G
ETC6850L	Camshaft	1	24G
2 ERC2838	Key camshaft	1	
3 610289	Chainwheel	1	
4 ERC2839	Spacer	1	
5 614188	Gear distributor drive	1	
6 ERC6552	Washer	1	
7 ERC5749	Bolt camshaft sprocket	1	
8 ERC7929	Chain timing	1	
RTC5918	Bearings camshaft set	1	

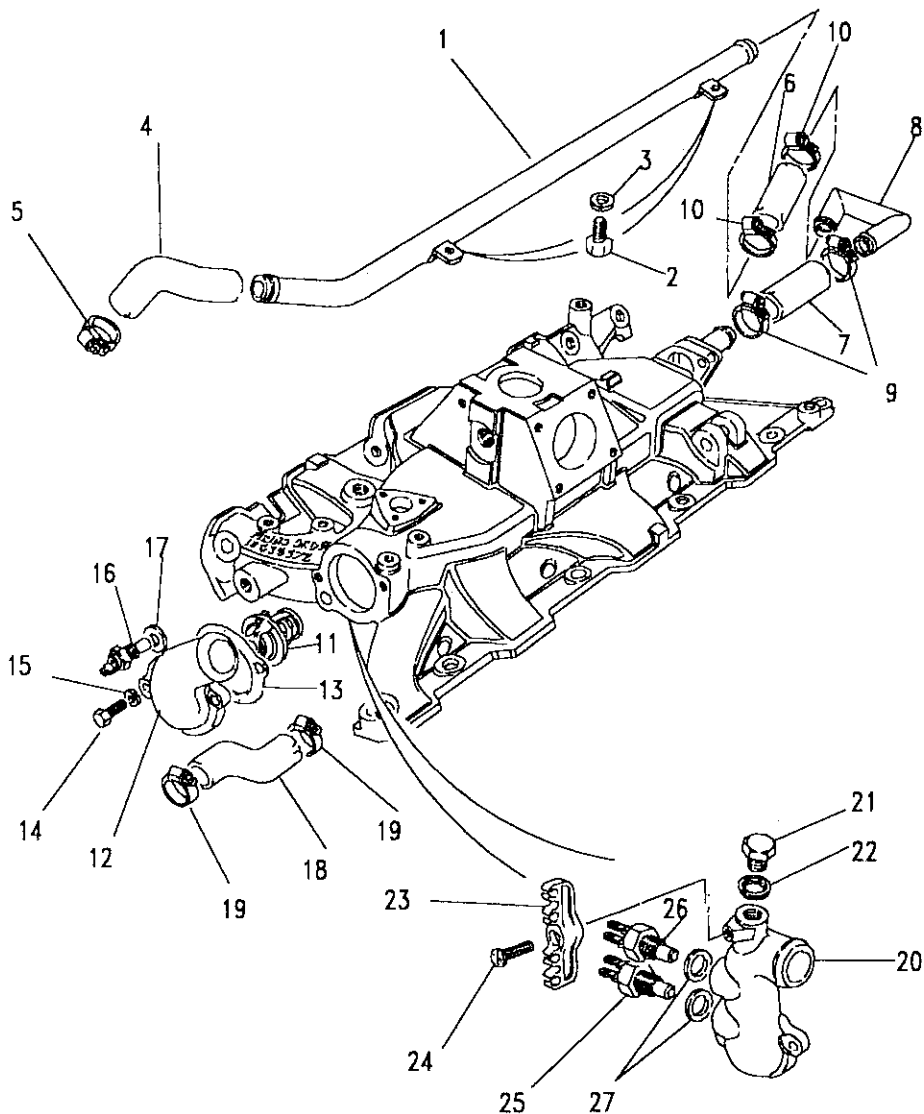




**Model** DEFENDER 110 1987 onwards  
**Page** AFBQHA1A

**ENGINE - INLET MANIFOLD - V8 CARB**

III. Part No.	Description	Qty	Remarks
1	ERC2135	1	Manifold inlet assembly
	ETC7915	1	Manifold inlet assembly
2	602152	1	Cup plug
3	ERC256	2	Cup plug
4	522932	2	Bush oilite accelerator
5	252514	8	Stud carburetters
6	ERC4820	1	Adaptor air bleed
7	603224	1	Plug blanking
8	232043	1	Washer joint
9	598006	1	Plate blanking
10	236022	1	Washer joint
11	257064	3	Screw 10UNC x 0.437
12	WM702001L	3	Washer spring
13	603277	1	Banjo vacuum signal
	610246	1	Banjo vacuum signal
14	534897	1	Bolt banjo
15	267604	2	Washer joint
16	ERC3561	1	Pipe water outlet
17	603441	1	Gasket
	ERR4935	1	Gasket water outlet conn
18	603561	1	Bracket
19	SH504061L	2	Screw
20	WM600041L	2	Washer spring
21	NRC2864	2	Bracket pipe clip
22	CRC1226	A/R	Clip fuel pipe
23	ERC2297	2	Peg air cleaner mounting
24	4594L	2	Washer plain
25	578620	1	Valve
26	232043	1	Washer joint
27	ERC3493	2	Restrictor
28	ERC3729	2	Ring spring



Model DEFENDER 110 1987 onwards

Page AFBQHA2A

ENGINE - THERMOSTAT & HOUSING - V8 CARB

III. Part No.	Description	Qty	Remarks
1	ERC2143	1	Pipe water outlet
2	SH504041L	2	Screw
3	WM600041L	2	Washer spring
4	ERC2320	1	Hose heater return
5	RTC3497	2	Clip hose
6	ERC3489	1	Hose outlet pipe
7	ERC3562	1	Hose return pipe
8	ERC3563	1	Adaptor manifold outlet
9	CJ600144L	2	Clip hose
10	RTC3497	2	Clip hose
11	602687	1	Thermostat 82o
12	ERC2139	1	Elbow water outlet
13	611786	1	Gasket
	ERR2429	1	Gasket
14	SH505091L	2	Screw
15	WM600051L	2	Washer spring
16	PRC2506	1	Transmitter water temp
	PRC4430	1	Transmitter water temp
17	90568054	1	Washer sealing
18	ERC2319	1	Hose by pass thermostat
19	RTC3497	2	Clip hose
20	ERC8639	1	Elbow water outlet
21	603224	1	Plug blanking
22	232043	1	Washer
23	603672	1	Retainer spark plug cable
24	AB610031L	1	Screw
25	PRC3505	1	Switch temp sensor fan
26	PRC3359	1	Switch temp/cut out
27	C457593L	2	Washer

NON AIR CON  
Upto FEB1991  
From FEB1991

HOT CLIMATE

AIR CON

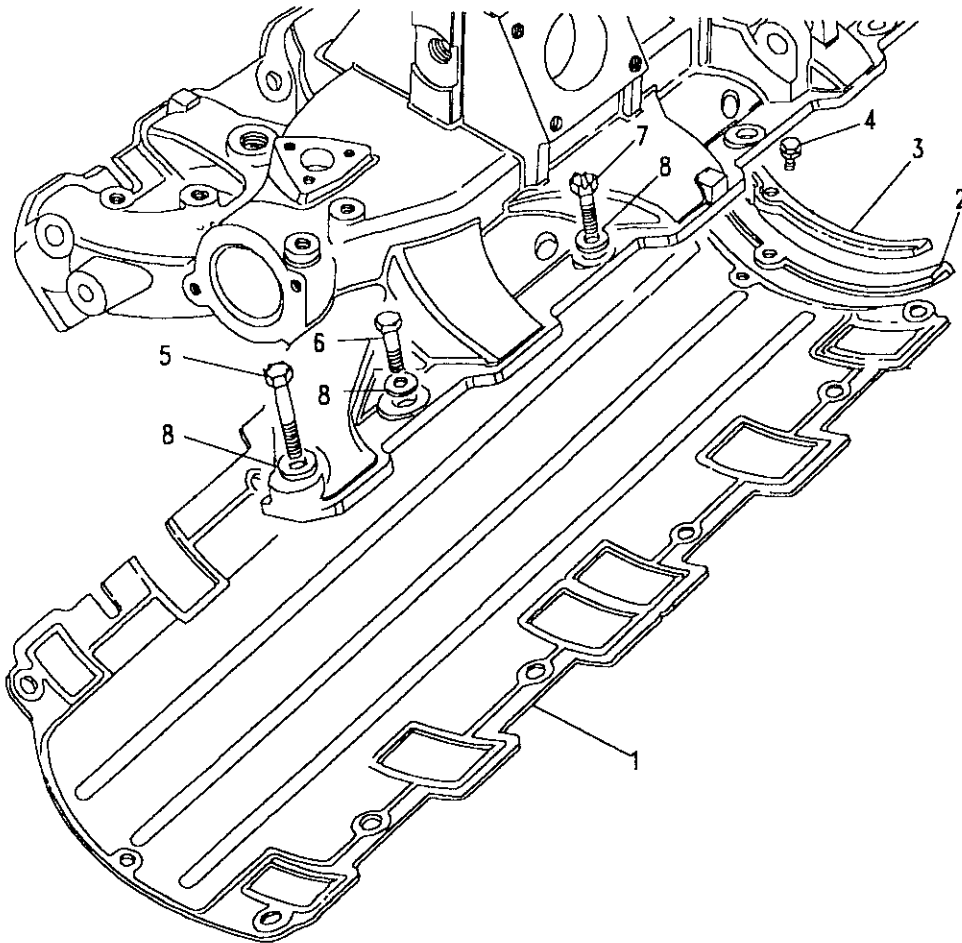




Model DEFENDER 110 1987 onwards  
Page AFBQHA3A

ENGINE - GASKETS INLET MANIFOLD - V8 CARB

III. Part No.	Description	Qty	Remarks
1 ERR4923	Gasket inlet manifold	1	
2 602099	Seal gasket ends	2	
3 602076	Clamp	2	
4 602236	Bolt clamp to block	2	
5 BH506161L	Bolt manifold to block	2	
6 BH506121L	Bolt manifold to block	6	
7 90611504	Bolt manifold to block	4	
8 2204L	Washer	12	



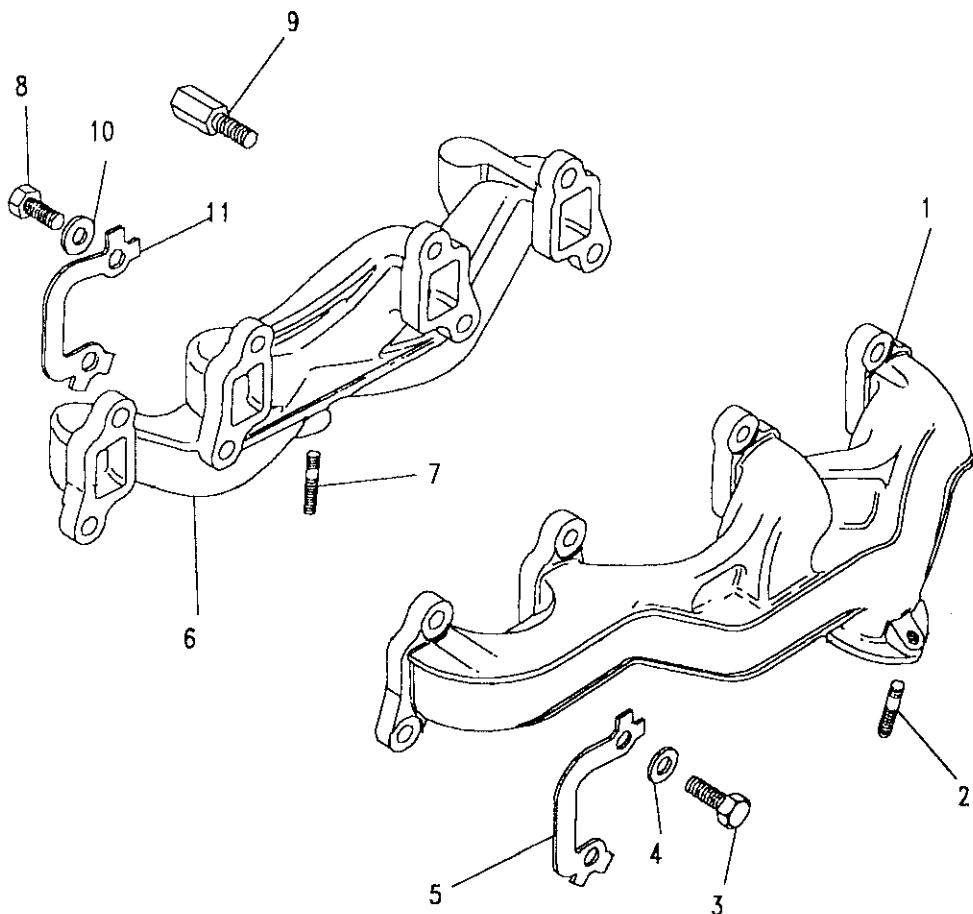
Model DEFENDER 110 1987 onwards

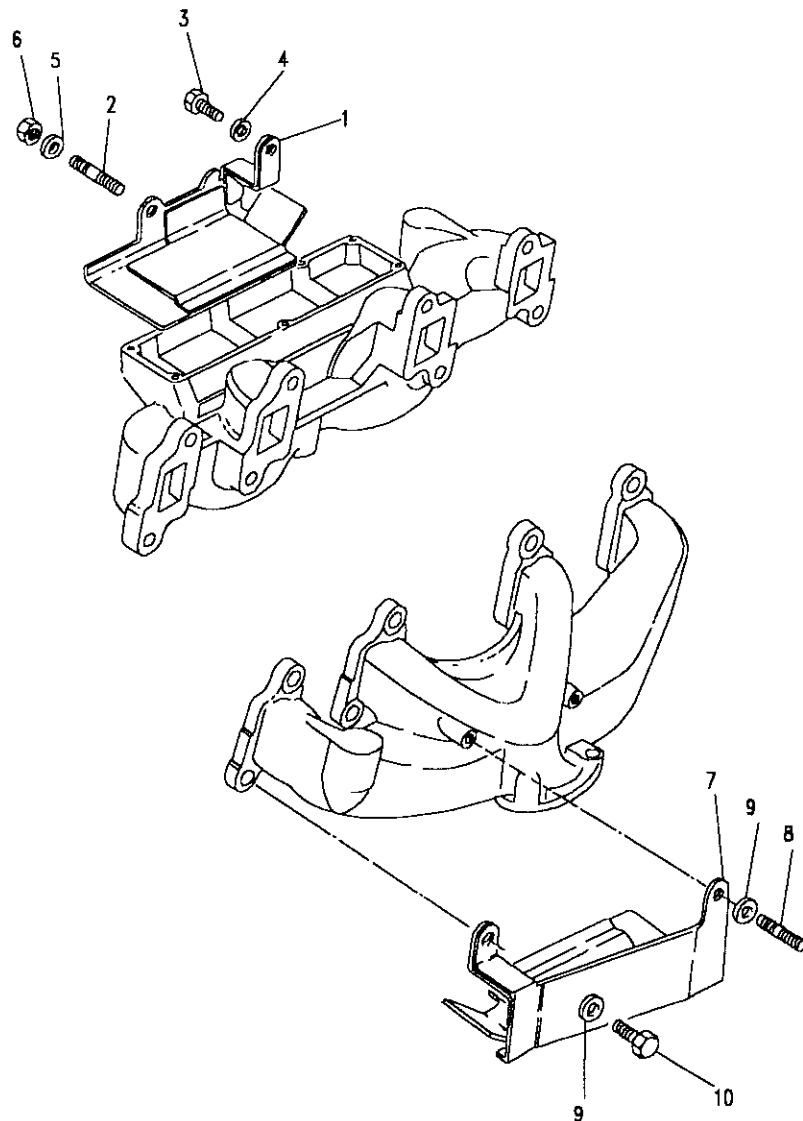
Page AFBQHC1A

ENGINE - EXHAUST MANIFOLD - V8 CARB

III. Part No.	Description	Qty	Remarks
1	ETC5329	1	Upto 24G06490B
	ERC5068	1	From 24G06491B
	ERR2535	1	Note(1)
2	252623	6	
	TE108051L	6	
3	SH506101L	8	
4	3036L	8	
5	ERC7321	4	
6	ETC6535	1	Upto 24G06490B
	ERC3102	1	From 24G06491B
	ERR2533	1	Note(1)
7	252623	3	
	TE108051L	3	
8	SH506101L	7	
9	614443	1	
10	3036L	8	
11	ERC7321	4	

Note(1) Latest type manifold with METRIC thread





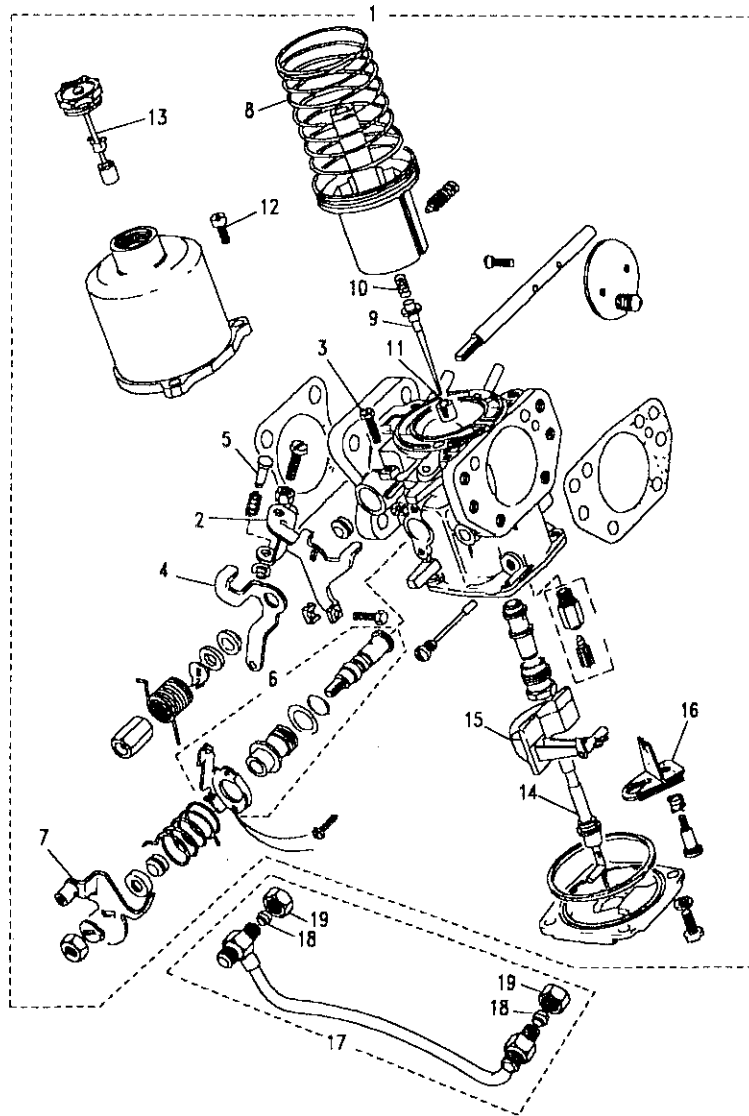
**Model** DEFENDER 110 1987 onwards  
**Page** AFBQHC2A

**ENGINE - HEATSHIELD - V8 CARB**

III. Part No.	Description	Qty	Remarks
1	ERC5875	1	Note(1)
2	ERC3690	1	
3	SH605051L	1	
4	RTC613	1	
5	RTC609	1	
6	NR604090L	1	
7	ERC5786	1	Note(2)
8	ERC3458	1	
9	RTC613	2	
10	SH605051L	1	

Note(1) For detoxed engine Prefix 24G  
 Note(2) For non-detoxed engine Prefix 20G

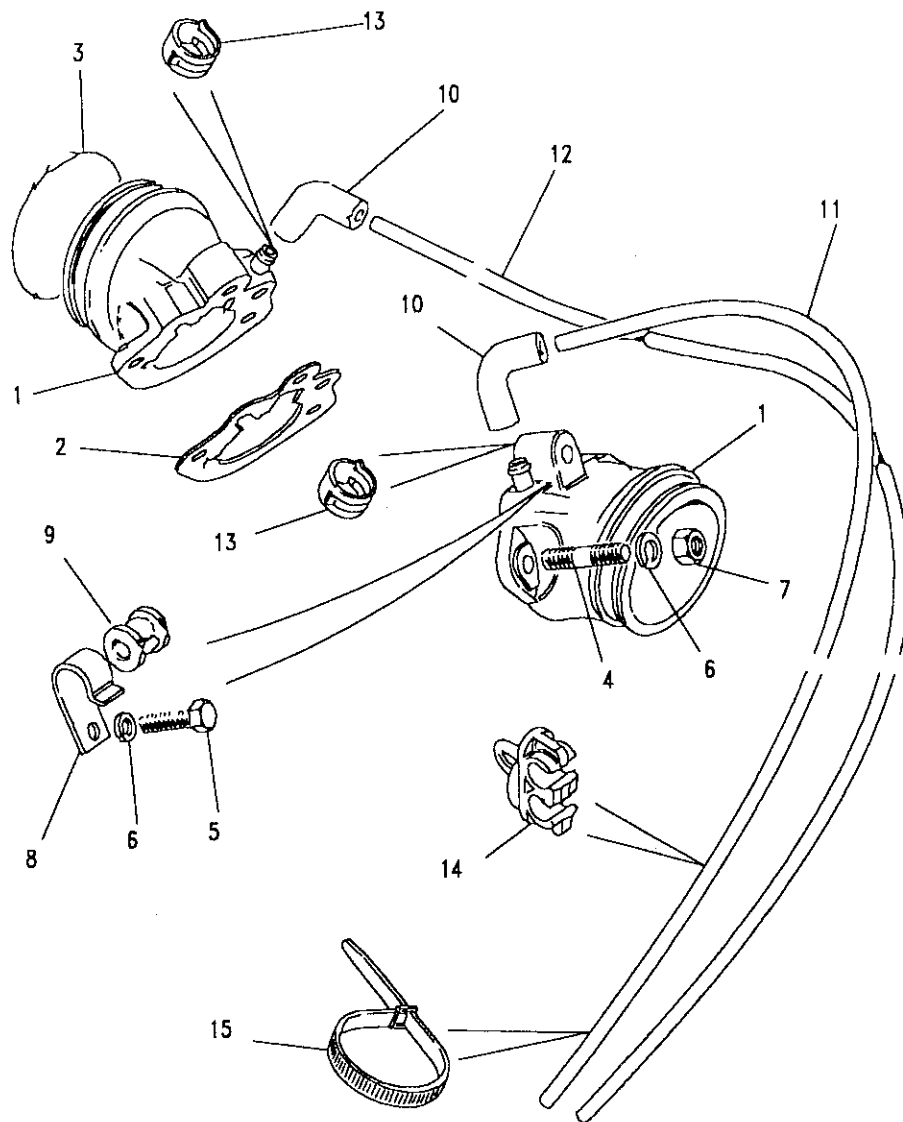




Model DEFENDER 110 1987 onwards  
 Page AFBQIA1A

ENGINE- CARBURETTER - V8 CARB

III. Part No.	Description	Qty	Remarks
1	ETC7122	1	Carburetter assembly LH
	ETC7123	1	Carburetter assembly RH
2	LZX2107L	1	Lever throttle assembly
3	JZX1303L	2	Screw fast idle
4	AUD4771L	2	Clip fast idle
5	JZX1181L	2	Screw slow run
6	STC509	1	Valve body assembly LH
	STC510	1	Valve body assembly RH
7	LZX1988L	1	Lever cam assembly LH
	LZX1989L	1	Lever cam assembly RH
8	AUD4398L	2	Spring piston (Yellow)
9	NZX8076L	2	Needle assembly
10	AUD3306L	2	Spring needle
11	JZX1039L	2	Guide needle
12	JZX1394L	6	Screw
13	LZX1505	2	Damper assembly
14	CUD2788L	1	Jet assembly LH carb
	CUD2785L	1	Jet assembly RH carb
15	LZX1600L	1	Float assembly LH carb
	RTC3566	1	Float assembly RH carb
16	CUD2399L	2	Bi metal assembly
17	ETC7127	1	Pipe fuel feed assembly
18	612064	2	Olive
19	534790	2	Nut
20	STC205	2	Needle and seat
	RTC6072	1	Kit seal SU-CARB
	WZX1505	1	Kit gasket SU-CARB



Model DEFENDER 110 1987 onwards  
 Page AFBQIC1A

**ENGINE - CARBURETTER ADAPTORS - V8 CARB**

III. Part No.	Description	Qty	Remarks
1 ETC7126	Adaptor air intake	2	
2 612435	Washer joint	2	
PKX100030	Gasket air duct	2	From Jan 94
3 602634	'O'ring	2	
4 TE505105L	Stud adaptor	4	
5 BH505111L	Bolt	2	
6 WM600051L	Washer spring	6	
7 NH605041L	Nut	4	
8 239600	Clip LH adaptor	1	
523203	Clip RH adaptor	1	
9 273370	Grommet LH adaptor	1	
10 577458	Elbow vent to intake	2	
11 NTC3793	Pipe vent LH	1	
12 NTC3794	Pipe vent RH	1	
13 UKC3803L	Band hose	2	
14 50641	P clip	1	
589254	Grommet	1	
15 NTC2292	Clip	1	
594594	Tie cable	1	



DEFENDER 110 1987 onwards

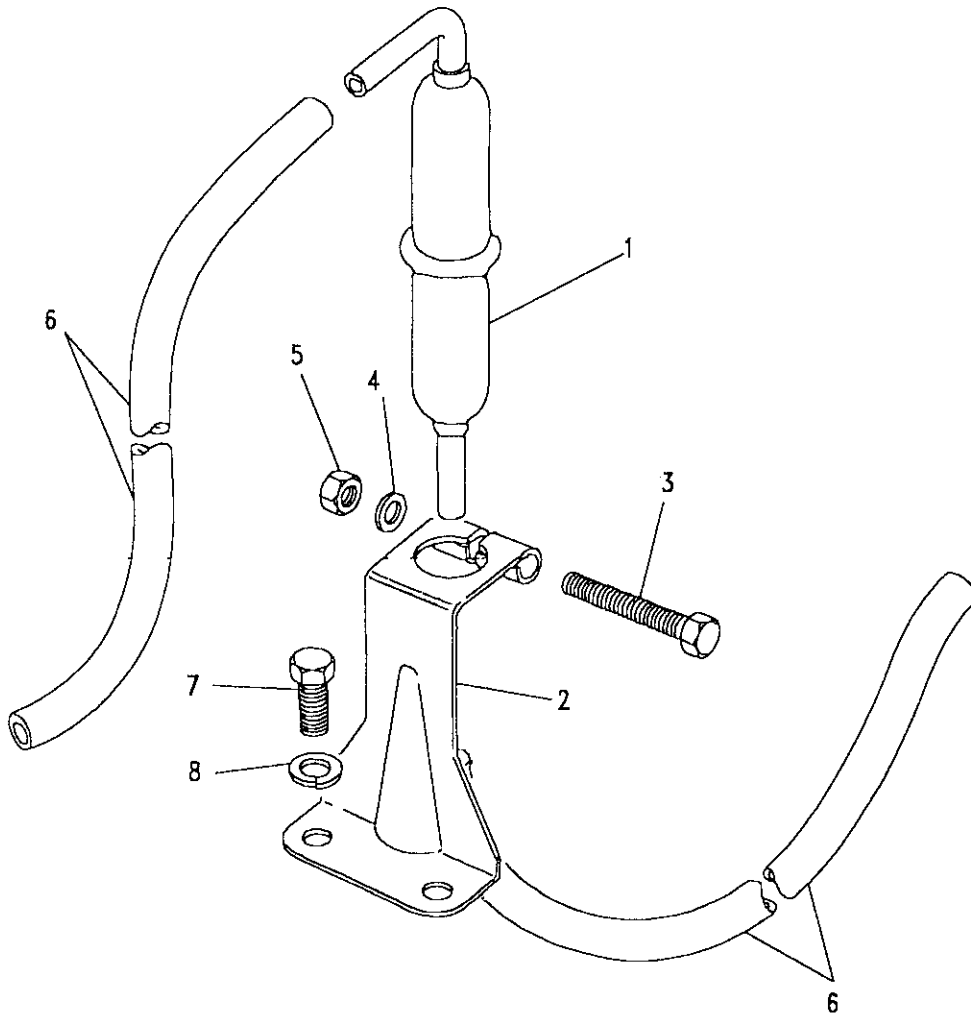
277

ENGINE

**Model** DEFENDER 110 1987 onwards  
**Page** AFBQIC2A

**ENGINE - FLAME TRAP - V8 CARB**

III. Part No.	Description	Qty	Remarks
1	ERC2042L	1	Fuel trap assembly
2	ERC4193	1	Clamp support
3	253942	1	Bolt
4	WA702101L	2	Washer
5	257071	1	Nut
6	614891	1	Pipe vacuum
7	SH504041L	2	Screw
8	WM600041L	2	Washer spring

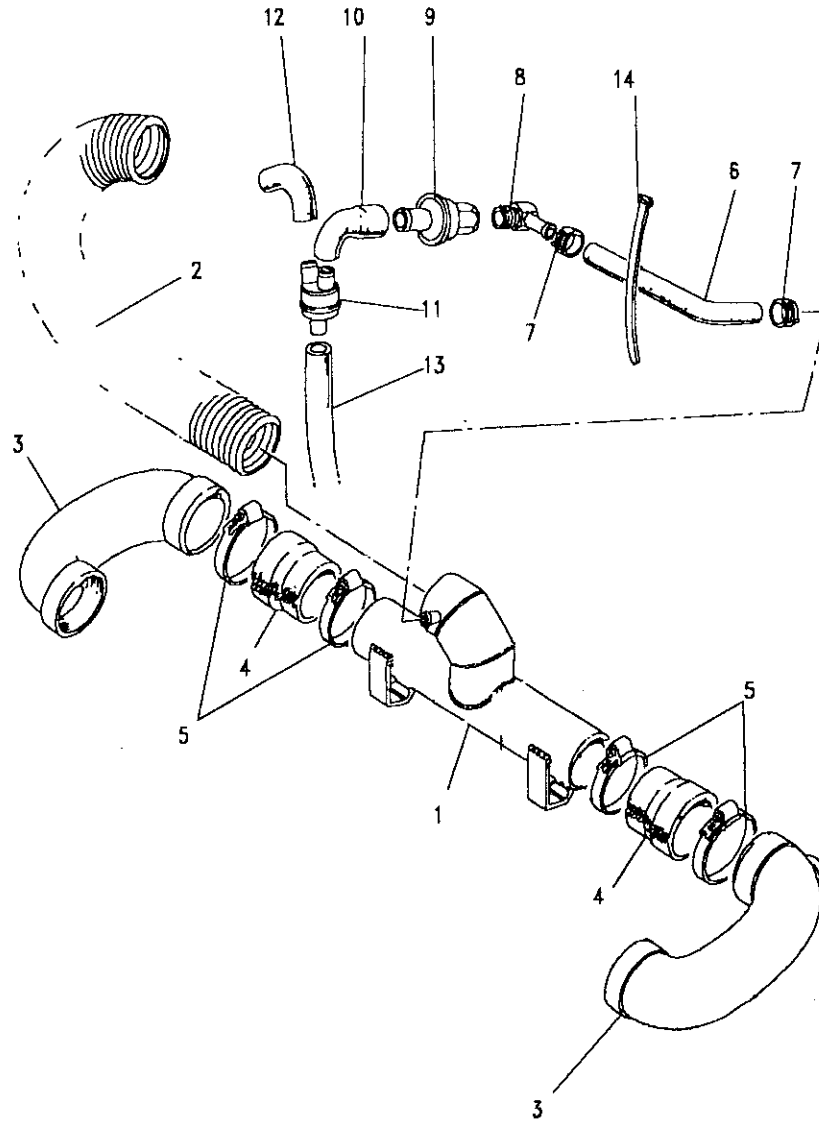


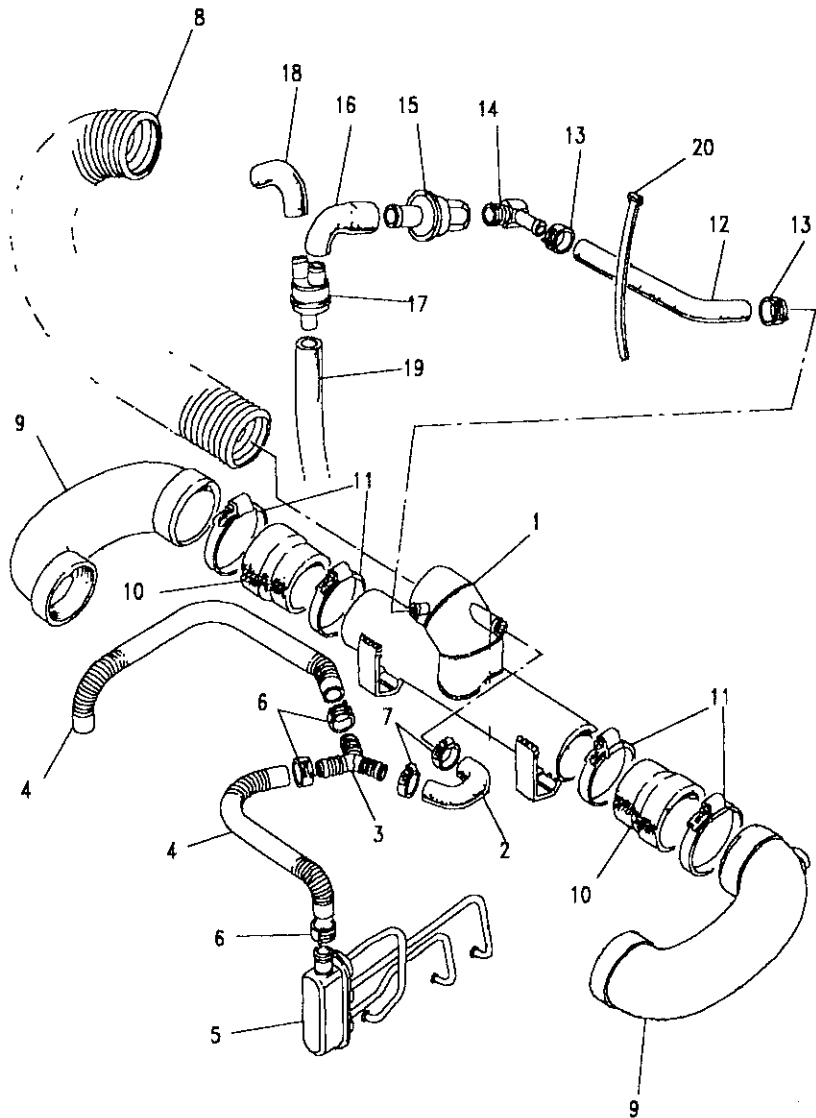


Model DEFENDER 110 1987 onwards  
Page AFBQIG1A

## ENGINE - AIR INLETS - V8 CARB - NON DETOXED

III. Part No.	Description	Qty	Remarks
1	ETC7193	1	Duct assembly
2	ERC3956	1	Hose air duct
3	ERC5247	2	Elbows carburetter
4	ERC3915	2	Hose air inlet
5	RTC3518	4	Clip hose
6	ETC7199	1	Hose breather
7	UKC3799L	2	Clamp hose
8	ETC7201	1	Adaptor assembly
9	ERC6878	1	Valve check
10	ETC7189	1	Hose breather
11	ETC7188	1	Flame trap
12	611092	1	Hose to rocker cover
13	611097	1	Hose to carburetter
14	594594	1	Tie cable





**Model** DEFENDER 110 1987 onwards  
**Page** AFBQIG2A

**ENGINE - AIR INLETS - V8 CARB - DETOXED**

Ill. Part No.	Description	Qty	Remarks
1	ETC7195 Duct assembly	1	)
2	ERC9398 Hose connection	1	)
3	ETC6579 Y connection	1	)Note(1)
4	ETC6581 Hose air flexible	2	)
5	ETC5989 Pulsair box assembly LH	1	)
	ETC5990 Pulsair box assembly RH	1	Note(1)(2)
	ETC6912 Pulsair box assembly RH	1	Note(1)(3)
	ETC6550 Steady pulsair box LH	1	Note(1)
	ETC6549 Steady pulsair box RH	1	Note(1)(2)
	ETC6249 Steady pulsair box RH	1	Note(1)(3)
	ETC7012 Steady pulsair box RH	1	Note(1)(3)
6	UKC3802L Clamo hose	4	)Note(1)
7	CN100308L Clip hose	2	)
8	ERC3956 Hose air	1	
9	ERC5247 Elbow carburetter	2	
10	ERC3915 Hose air inlet	2	
11	RTC3518 Clip hose	4	
12	ETC7199 Hose breather	1	
13	UKC3799L Clamp hose	2	
14	ETC7201 Adaptor assembly	1	
15	ERC6878 Valve check	1	
16	ETC7189 Hose breather	1	
17	ETC7188 Flame trap	1	
18	611092 Hose to rocker cover	1	
19	611097 Hose to carburetter	1	
20	594594 Tie cable	1	
	ETC5918 Tube injection	6	

Note(1) From VIN 328543 These Parts Deleted  
 Note(2) Except air con  
 Note(3) Air con only





DEFENDER 110 1987 onwards

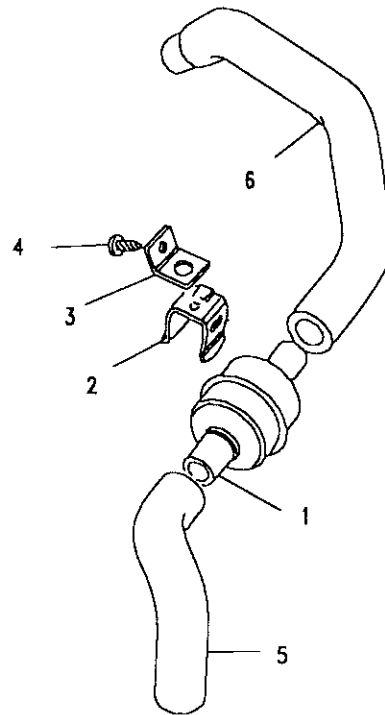
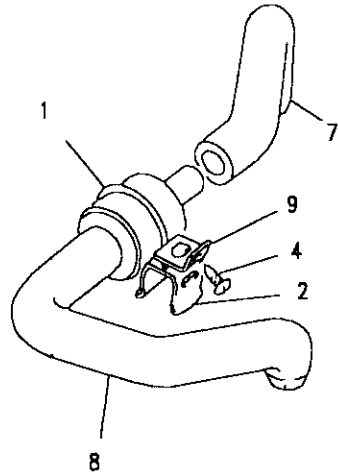
280

ENGINE

Model DEFENDER 110 1987 onwards  
Page AFBQIG3A

ENGINE - BREATHERS - V8 CARB

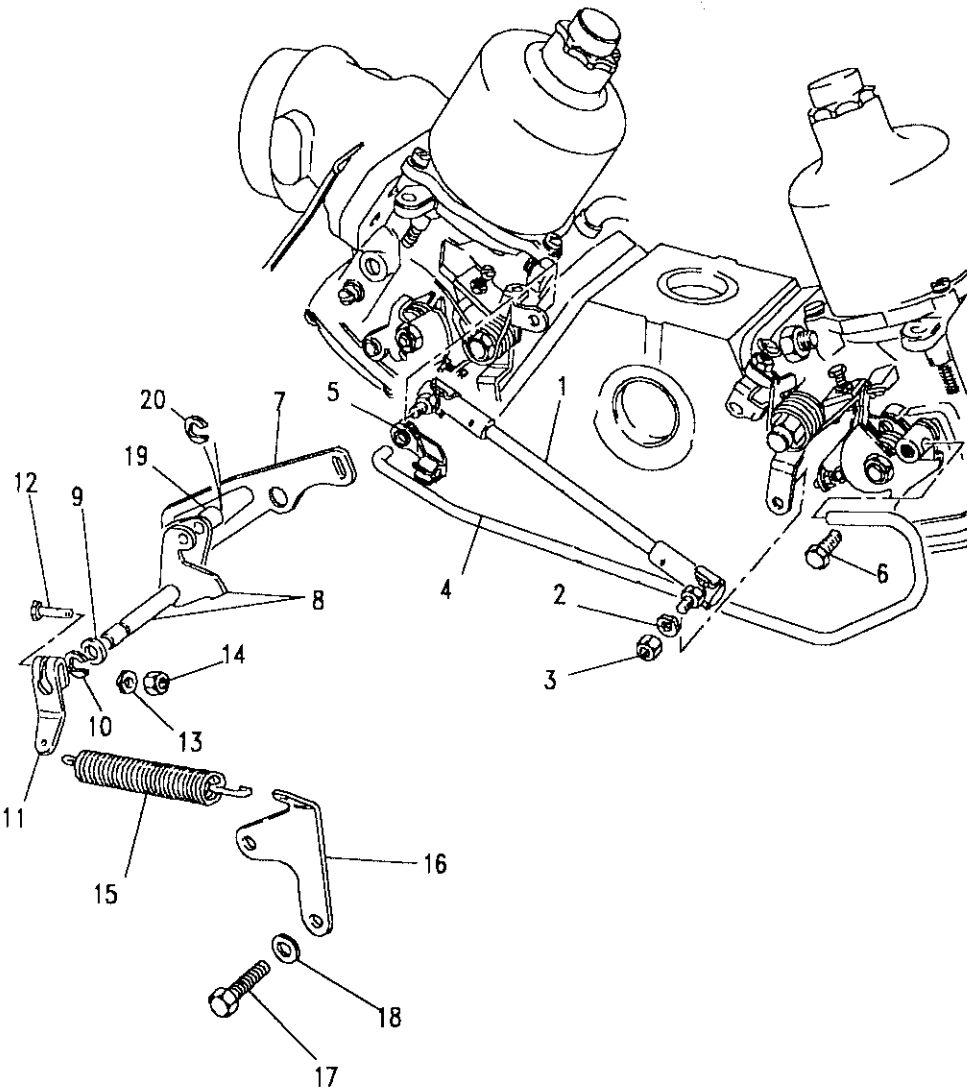
Ill. Part No.	Description	Qty	Remarks
1	603330	2	Flame trap
2	90513220	2	Clip
3	611351	1	Bracket
4	AB610031L	2	Screw
5	613718L	1	Hose breather/LH rocker
6	613402	1	Hose flame trap/LH carb
7	ERC3930	1	Hose breather/RH rocker
8	ERC3931	1	Hose flame trap/RH carb
9	ERC4670	1	Bracket



Model DEFENDER 110 1987 onwards  
 Page AFBQI1A

ENGINE - THROTTLE LINKAGE - V8 CARB

Ill. Part No.	Description	Qty	Remarks
1	ETC4728L	1	Link throttle carb
2	WM702001L	2	Washer spring
3	NH910011L	2	Nut 10UNF
4	ERC1161L	1	Rod choke lever
5	614538L	1	Clip linkage
6	SH910101	1	Screw
7	ETC7061	1	Lever cam throttle
8	ETC8513	1	Countershaft assembly
9	WA108051L	1	Washer
10	521453	1	Circlip
11	AUD2437L	1	Lever throttle spring
12	SH910241L	1	Screw
13	WA702101L	1	Washer
14	NH910241L	1	Nut
15	603622	1	Spring coun/shaft return
16	ERC8626	1	Bracket spring anchor
17	FS504047	1	Screw fixing bracket
18	WA106061L	1	Washer fixing bracket
19	ETC8511	1	Roller countershaft
20	521452	1	Circlip roller coun/shaft

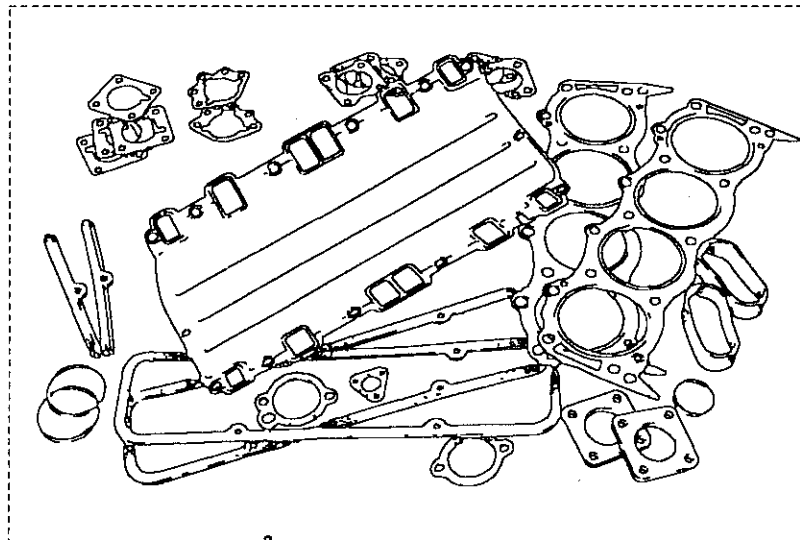
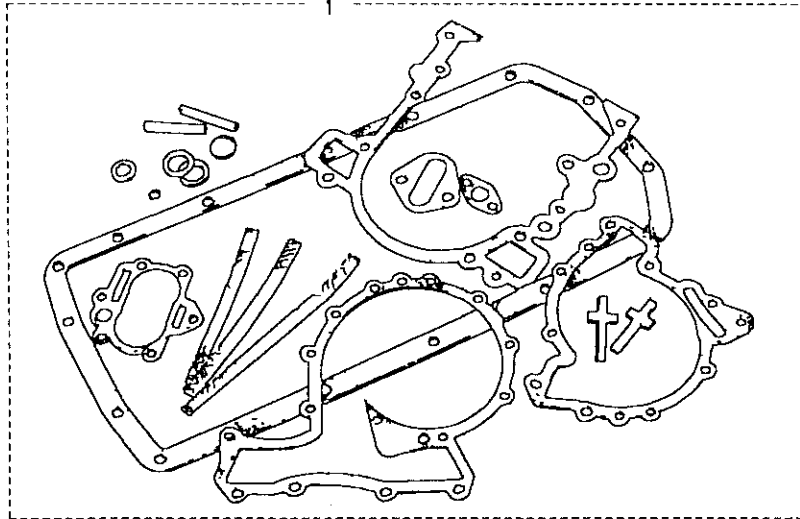




DEFENDER 110 1987 onwards

282

ENGINE



**Model** DEFENDER 110 1987 onwards  
**Page** AFBQMA1A

**ENGINE - GASKET KITS - V8 CARB**

III. Part No.	Description	Qty	Remarks
1 RTC2104	Kit gasket overhaul	1	
STC1639	Kit gasket overhaul	1	Asbestos free
2 RTC2913	Kit gasket decarbonising	1	
STC1566	Kit gasket cylinder head	1	Asbestos free





Model DEFENDER 110 1987 onwards

Page AFBQNC4A

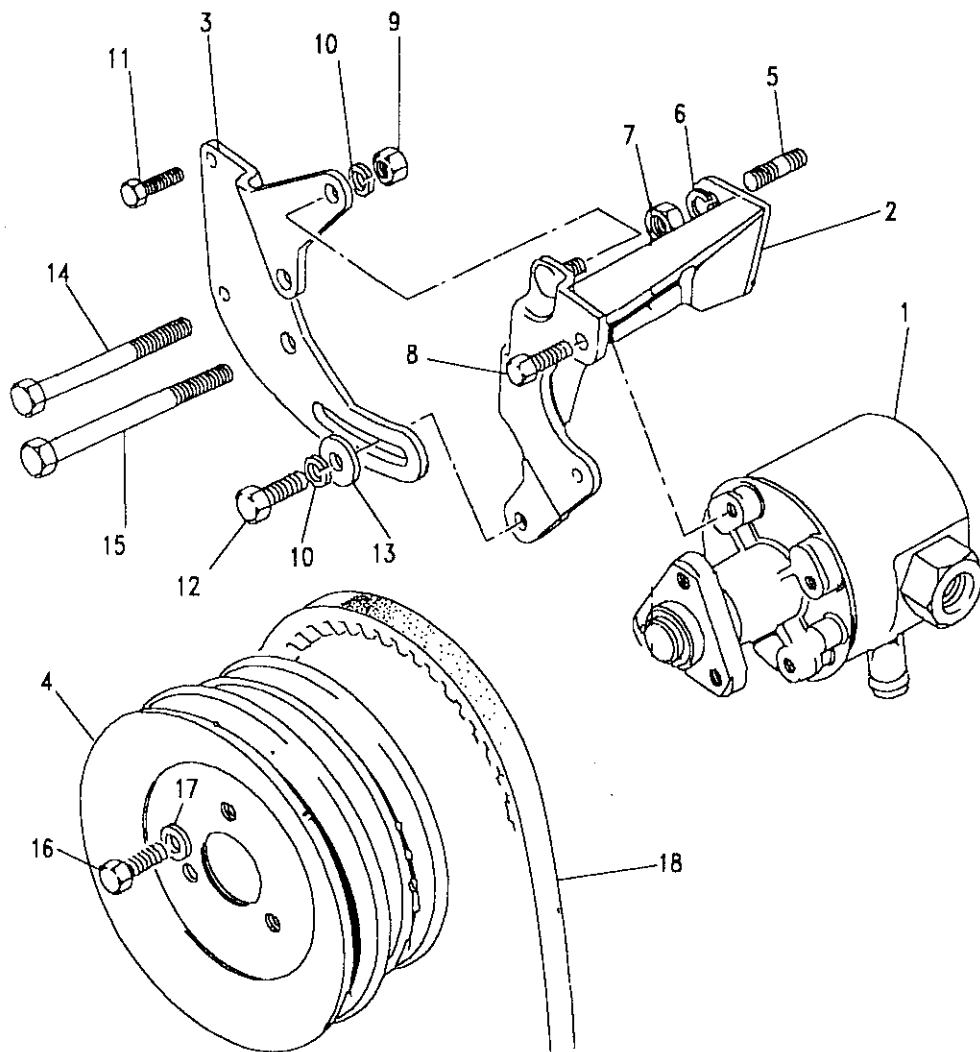
## ENGINE - POWER STEERING PUMP &amp; MOUNTINGS - V8 CARB

## III. Part No.

## Description

## Qty Remarks

1	ANR2003	Pump power steering	1	Upto24G10889
	RTC6760	Spacer	1	Upto24G10889
1	NTC9198	Pump power steering	1	From24G10890
2	ETC6486	Bracket mounting front	1	
3	ETC6607	Bracket adjusting pump	1	
4	ETC6647	Pulley single groove	1	NON AIR CON
	ETC5665	Pulley twin A133 alt	1	AIR CON
	ETC6408	Pulley twin A127 alt	1	AIR CON
5	TE506101L	Stud 3/8"UNF	1	
	SS506060	Screw socket	1	
6	WM600061L	Washer spring	1	
7	NH606045L	Nut 3/8"UNF	1	
8	FS106167L	Screw M6x16 long	3	
9	NH108041L	Nut M8	1	
10	WM600051L	Washer spring	3	
11	BH504121L	Bolt 1/4"UNCx1,1/2 long	2	
12	SH108251L	Screw M8x25 Lng	1	
13	4594L	Washer plain	1	
14	BH505401L	Bolt 5/16"UNCx4,3/4 long	1	
15	BH505401L	Bolt 5/16"UNCx5.00 Lng	1	
16	FS108201L	Screw	3	
17	WA108051L	Washer plain	3	
18	614106	Belt	1	
	554880	Key	1	)Centre Hole
	2217L	Washer Plain	1	)Pulley
	SH505071L	Screw Pulley/Pump	1	)Fixings
	RTC5935	Seal Kit (ETC6496)	1	
	STC1633	Kit seal	1	From Jan 94



Model DEFENDER 110 1987 onwards

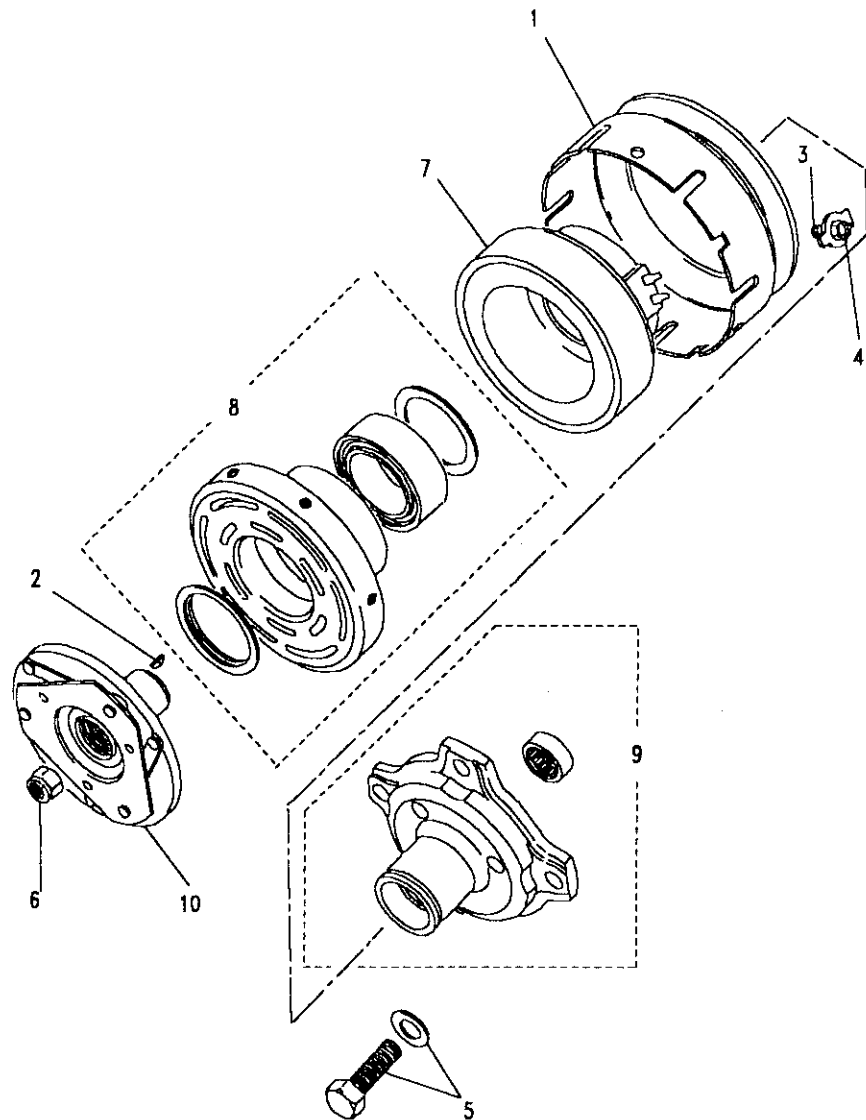
Page AFBQNE1A

ENGINE - AIRCON COMPRESSOR - V8 CARB

III. Part No.	Description	Qty	Remarks
BTR9419	Compressor assembly	1	Note(2)
ERC6480	Compressor assembly	1	Note(1)
1 AEU1782	Pulley rim	1	
2 AEU1694	Key clutch hub	1	
3 AEU1780	Screw rim mounting	6	
4 AEU1779	Washer rim mounting	6	
5 AEU1784	Screw and washer assy	4	
6 AEU1775	Nut shaft	1	
7 AEU1778	Coil and housing assy	1	
8 AEU1777	Rotor and bearing assy	1	
9 AEU1785	Front Head/bearing assy	1	
10 AEU1776	Clutch assembly	1	

Note(1) Up to VIN MA949374

Note(2) From VIN MA949375

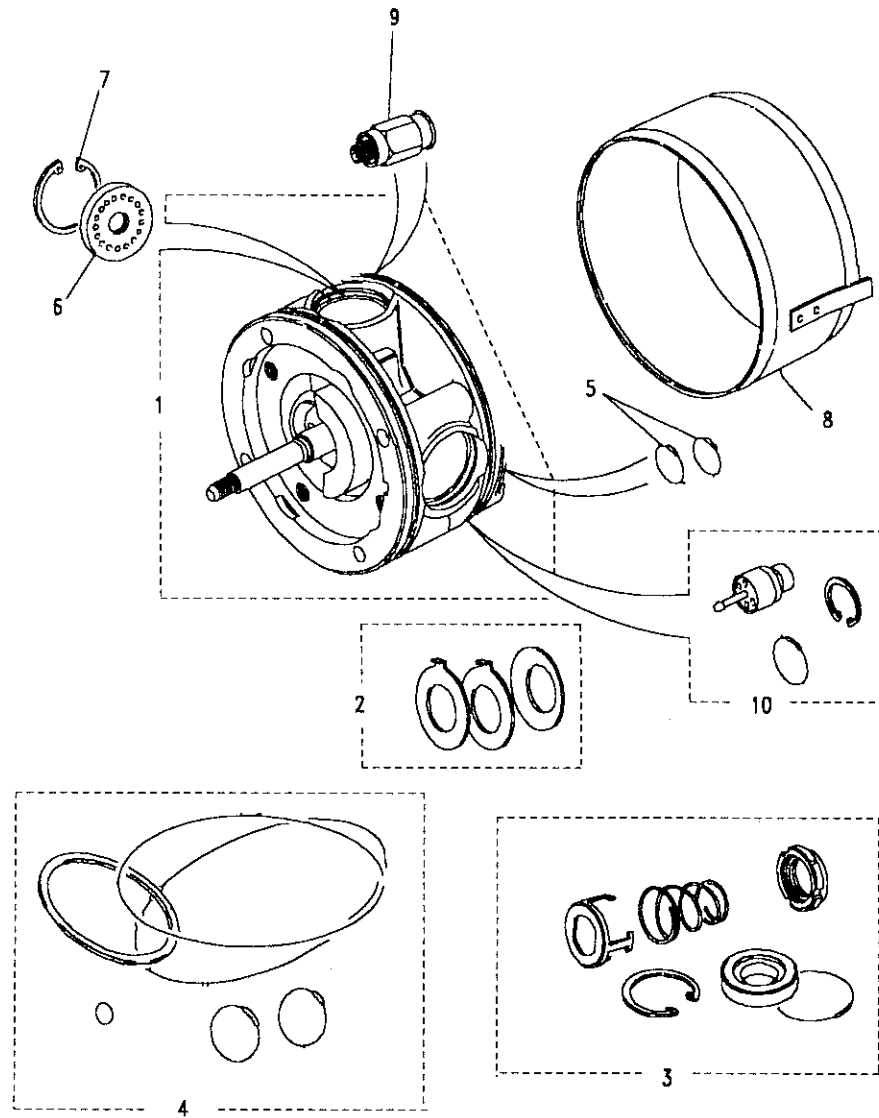




DEFENDER 110 1987 onwards

285

ENGINE



**Model** DEFENDER 110 1987 onwards  
**Page** AFBQNE2A

**ENGINE - AIRCON COMPRESSOR - V8 CARB**

III. Part No.	Description	Qty	Remarks
BTR9419	Compressor assembly	1	Note(2)
ERC6480	Compressor assembly	1	Note(1)
1 AEU1792	Kit cyl/shaft assy	1	
2 AEU1791	Kit thrust washer	1	
3 AEU1790	Kit shaft seal	1	
4 AEU1192	Kit 'O'rings	1	
5 AEU1690	'O'ring	2	
6 AEU1788	Valve plate assembly	4	
7 AEU1787	Ring retaining	4	
8 AEU1786	Shell assembly	1	
9 AEU1689	Valve pressure release	1	
10 AEU1688	Kit super heat switch	1	
603713	Belt driving	1	
AEU1691	Oil 525 visco 2pt(1136ml)	A/R	

Note(1) Up to VIN MA949374  
 Note(2) From VIN MA949375



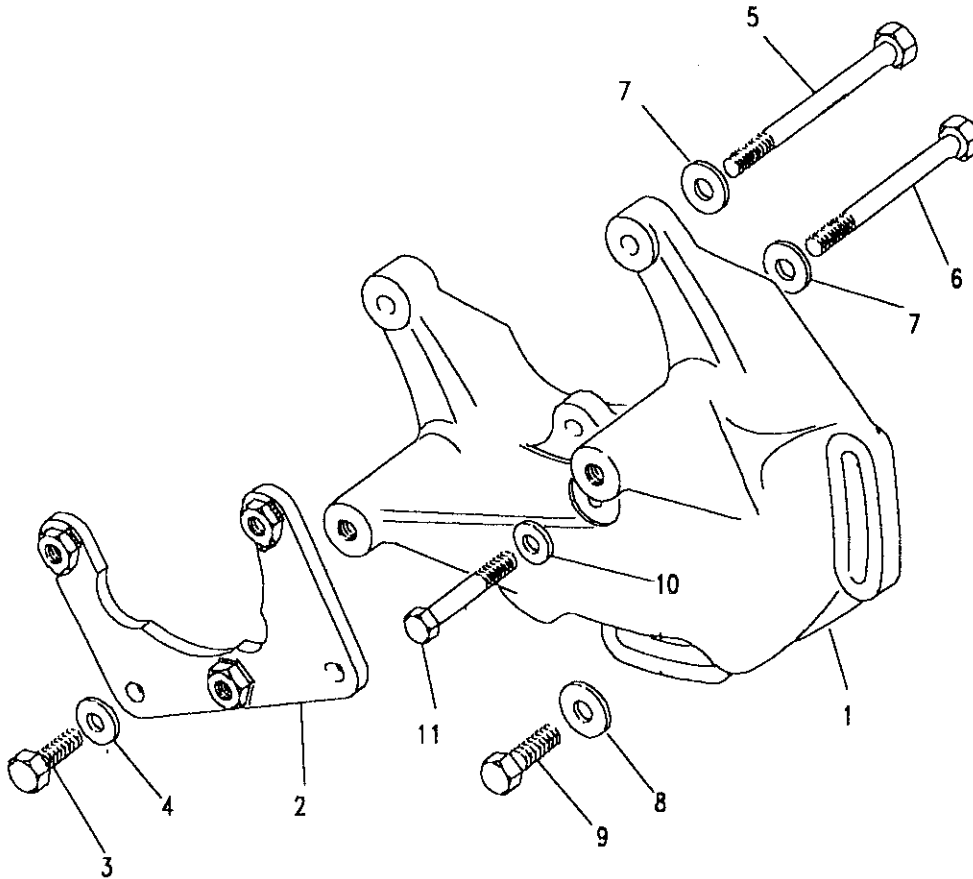


Model DEFENDER 110 1987 onwards

Page AFBQNE3A

## ENGINE - COMPRESSOR FIXINGS - V8 CARB

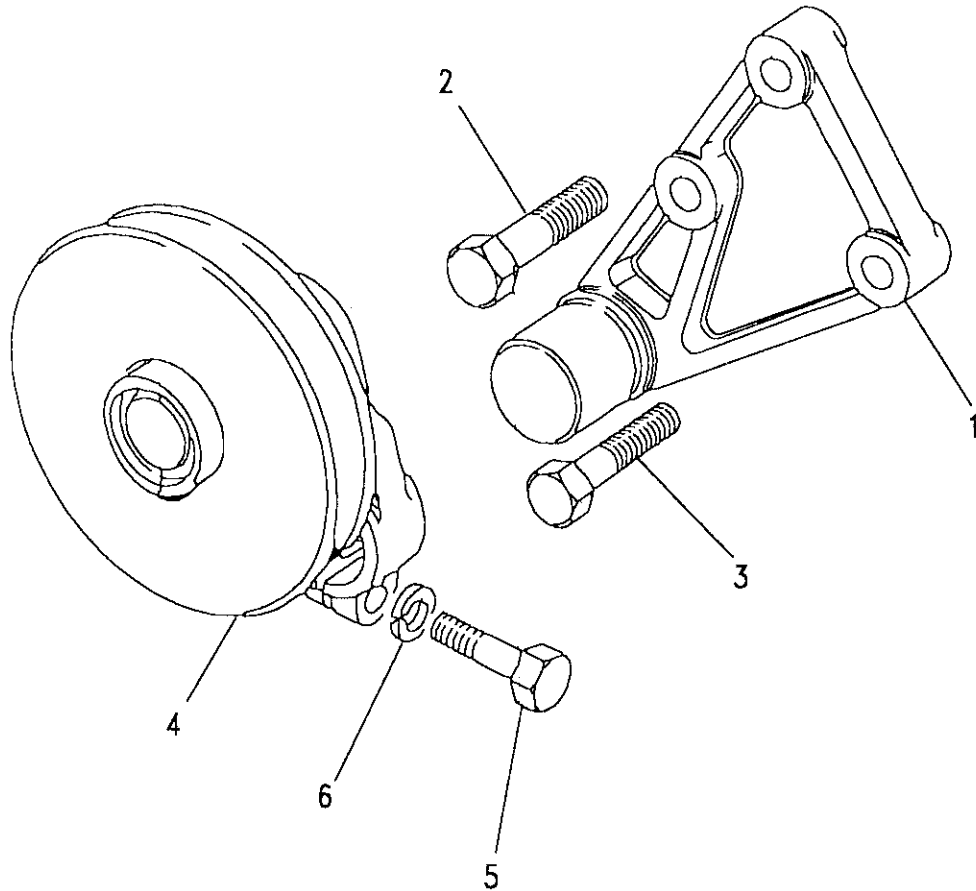
III. Part No.	Description	Qty	Remarks
1	ERR4524	1	Bracket mounting
2	ERC6545	1	Bracket mounting
3	SH110301L	2	Screw front
4	WA110061L	2	Washer plain
5	BH110241L	2	Bolt
6	BH110221L	2	Bolt
7	WA110061L	3	Washer plain
8	4067	2	Washer plain
9	BH506111L	2	Bolt
10	4866L	1	Washer plain
11	BH505201L	1	Bolt



**Model** DEFENDER 110 1987 onwards  
**Page** AFBQNE4A

**ENGINE - AIR CONDITIONING - V8 CARB**

III. Part No.	Description	Qty	Remarks
<b>Idler pulley and fixings</b>			
1 613540	Bracket - tensioner	1	
2 BH505441L	Bolt	2	
3 BH504151L	Bolt	2	
4 614718	Pulley idler	1	
614154	Bearing pulley	1	
5 BH605101L	Bolt	1	
6 WM600051L	Washer spring	1	







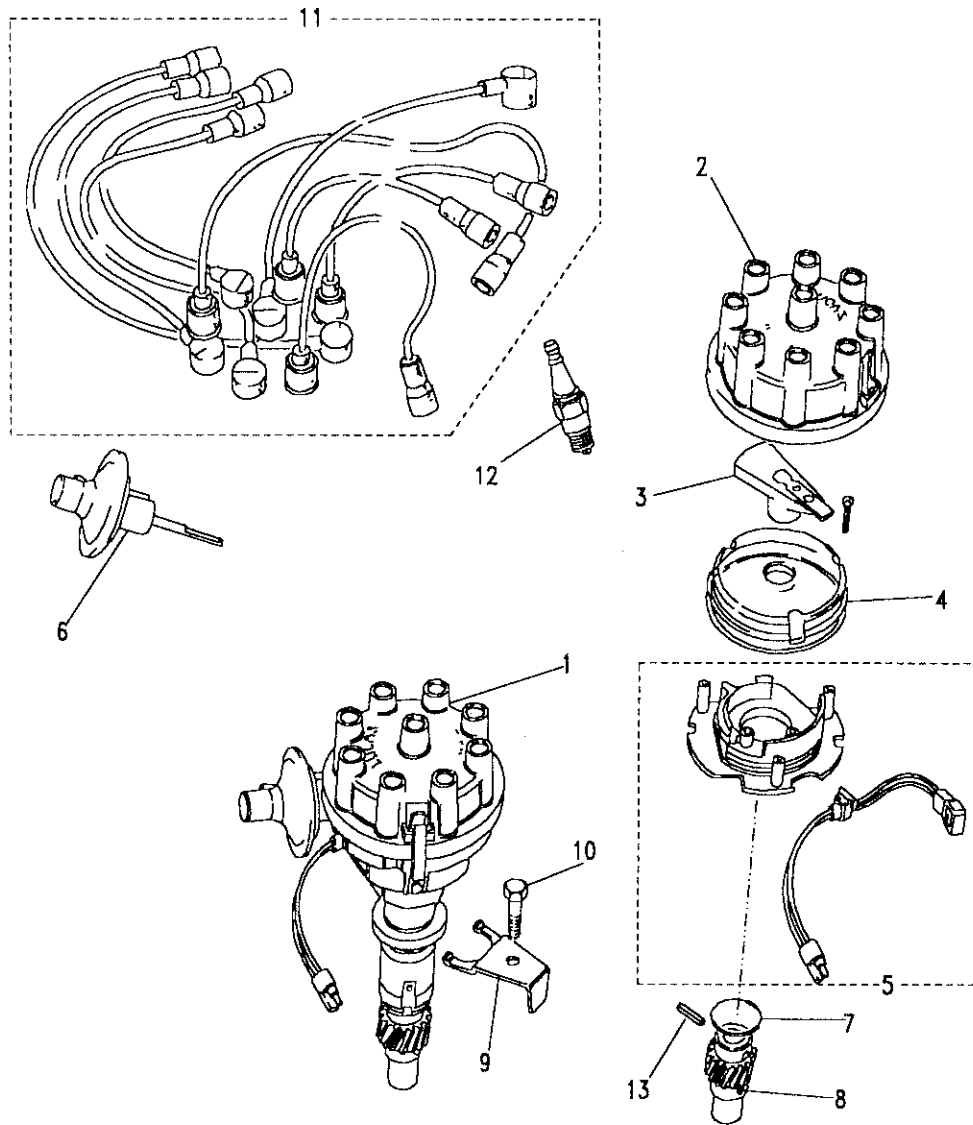
Model DEFENDER 110 1987 onwards

Page AFBQPA2A

ENGINE - DISTRIBUTOR - V8 CARB

III. Part No.	Description	Qty	Remarks
1	ETC6976	1	2 pin
	ERR4285	1	3 pin
	RTC5089	1	2 pin
	STC1184	1	3 pin
2	RTC3197	1	
3	STC1857	1	
4	RTC5971	1	
5	RTC5090	1	
6	RTC5092	1	
7	603446	1	
	STC1212	1	Note(1)
8	ERC1353	1	
	602953	1	
9	613857	1	
10	SH506121L	1	
11	ETC6484	1	
12	RTC3812	8	
	603672	1	Upto 24G03883B
	ETC8720	1	From 24G03884B
	603673	4	
13	602953	1	

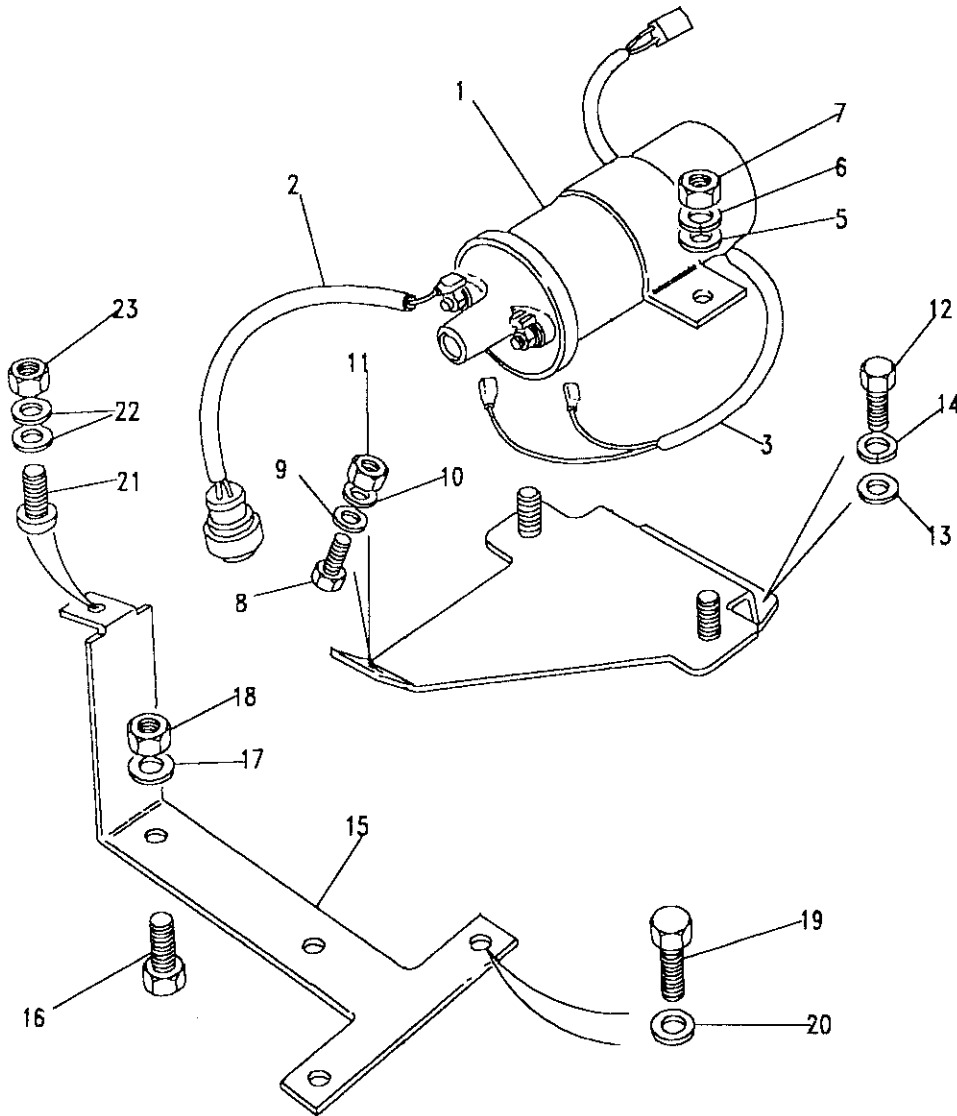
Note(1) When replacing 2 pin distributor or module for 3 pin also use this link lead.



**Model** DEFENDER 110 1987 onwards  
**Page** AFBQPA1A

**ENGINE - IGNITION COIL - V8 CARB**

Ill. Part No.	Description	Qty	Remarks
1	RTC5628	1	) Alternatives
	PRC6574	1	
2	PRC6141	1	
3	PRC6144	1	
4	PRC3131	1	
5	WA106041L	2	
6	WF106001L	2	
7	NH106041L	2	
8	SH106167	1	
9	WA106047L	1	
10	WL106047	1	
11	NH106047	1	
12	SE106167	2	
13	WA106047L	2	
14	WL106007L	2	
15	PRC6133	1	) AIR CON
16	FS108251L	2	
17	WA108051L	2	) RHD
18	FN108041L	2	
19	FS106167	1	
20	WA106041L	1	
21	SE106161L	1	
22	WA106041L	2	
23	NH106041L	1	



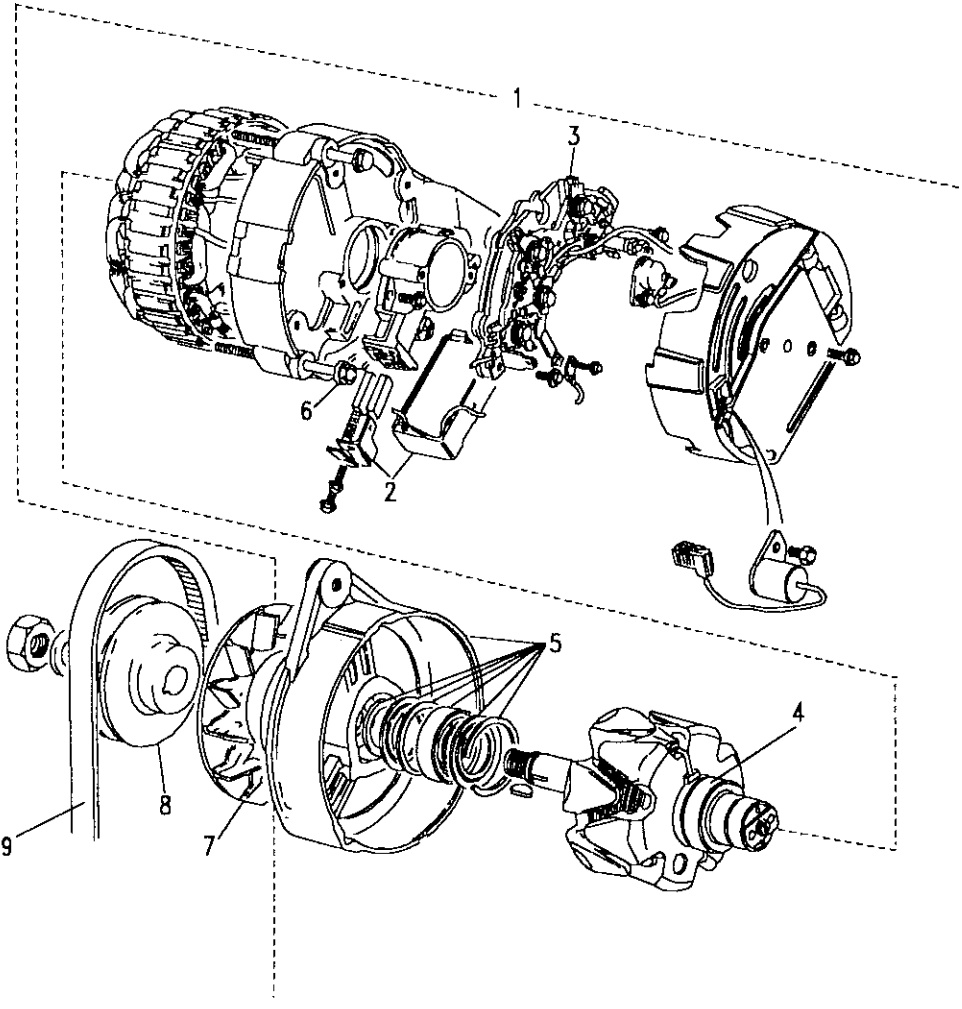


**Model** DEFENDER 110 1987 onwards  
**Page** AFBQPC1A

**ENGINE - ALTERNATOR - V8 CARB**

III. Part No.	Description	Qty	Remarks
1	RTC5683N	1	Note(1)
	RTC5683E	1	
2	RTC5044	1	Regulator and brush box
3	RTC5045	1	Rectifier
4	RTC5926	1	Bearing slip ring end
5	RTC5688	1	Bracket & bearing drive
6	RTC5925	1	Kit through bolts
7	RTC5685	1	Fan
8	RTC5686	1	Pulley
9	ETC7394	1	Belt fan
	RTC5689	1	Spacer pulley

Note(1) LUCAS No 24198

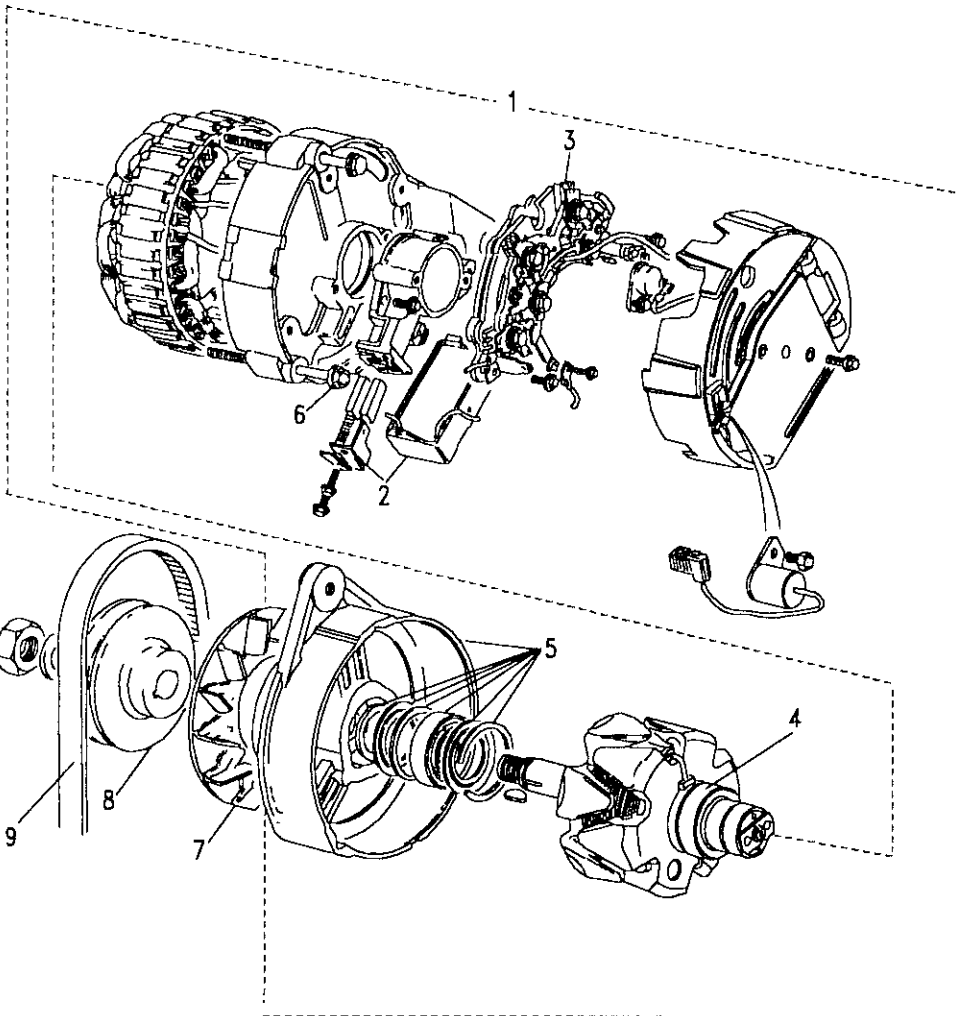


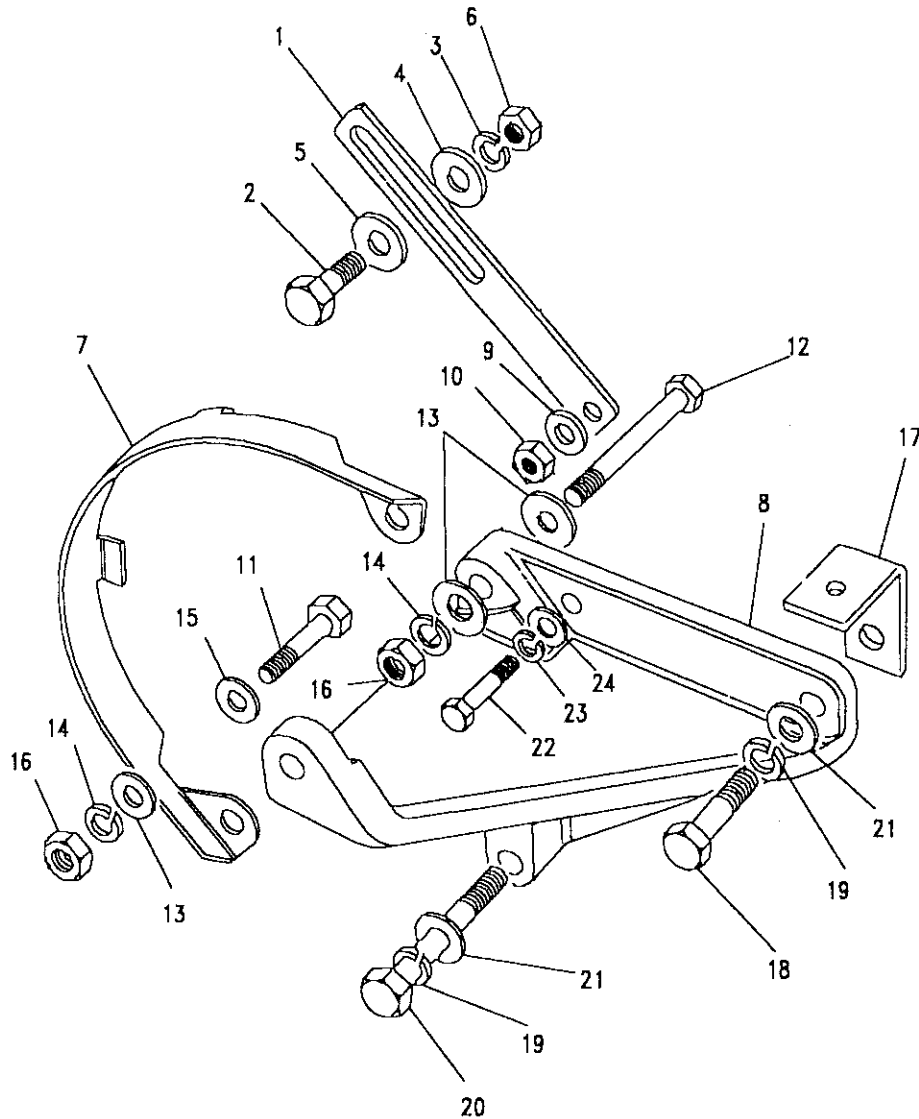
Model DEFENDER 110 1987 onwards  
 Page AFBQPC2A

ENGINE - ALTERNATOR - V8 CARB

III. Part No.	Description	Qty	Remarks
1	RTC5680N	1	Note(1)
	RTC5680E	1	
	RTC5681N	1	Note(2)
	RTC5681E	1	
2	RTC5670	1	
3	RTC5671	1	
4	RTC5926	1	
5	RTC5687	1	RH Fixing
	RTC5688	1	LH Fixing
6	RTC5925	1	
7	AAU2249L	1	
8	RTC5686	1	
9	ERR2073	1	
	RTC5689	1	

Note(1) LUCAS No 24220  
 Note(2) LUCAS No 24221





**Model** DEFENDER 110 1987 onwards  
**Page** AFBQPC3A

**ENGINE - ALTERNATOR FIXINGS - V8 CARB - NON AIR CON**

III. Part No.	Description	Qty	Remarks
<b>Used Up To 24G09105B</b>			
1	614939 Link adjusting	1	
2	FS108351L Screw M8x35mm	1	
3	WM600051L Washer spring	1	
4	2217L Washer plain	1	A133 ALT
	587405 Washer plain	1	A127 ALT
5	4868L Washer plain	1	
6	NH108041L Nut M8	1	
7	ETC7390 Guard fan	1	Upto 24G02919B
	ETC8441 Guard fan	1	)
	ERC5830 Grommet	2	)Note(1)
	ETC8559 Bush	2	)
8	ERR4519L Bracket mounting	1	
9	WM600051L Washer spring	1	
10	NT605041L Locknut	1	
11	BH605131L Bolt alternator/bracket	1	A133 ALT
12	BH605201L Bolt rear	1	A133 ALT
11	FB108081L Bolt alternator/bracket	1	A127 ALT
12	FB108121L Bolt rear	1	A127 ALT
13	WA108051L Washer plain	3	
14	WM600051L Washer spring	2	
15	4868L Washer plain	1	
16	NH605041L Nut	2	

Note(1) From 24G02920B Latest condition with bush and grommet



DEFENDER 110 1987 onwards

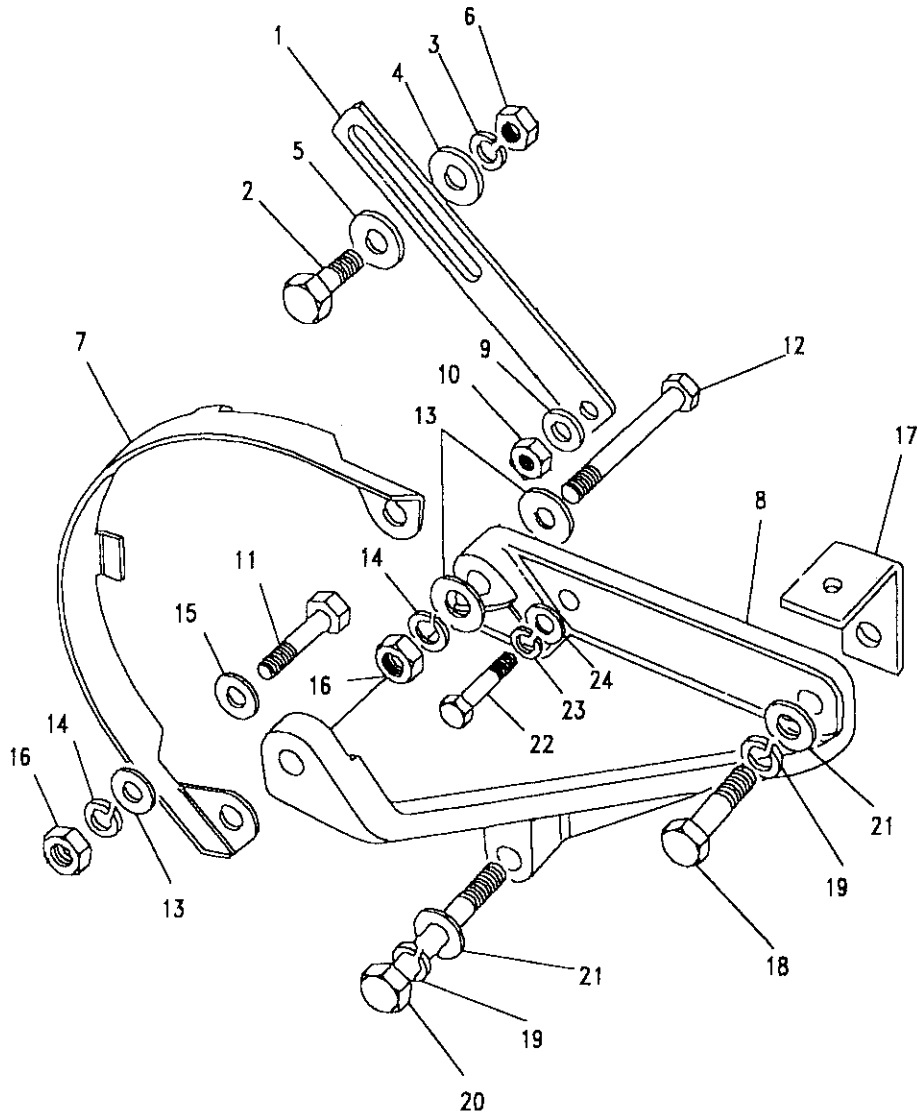
293

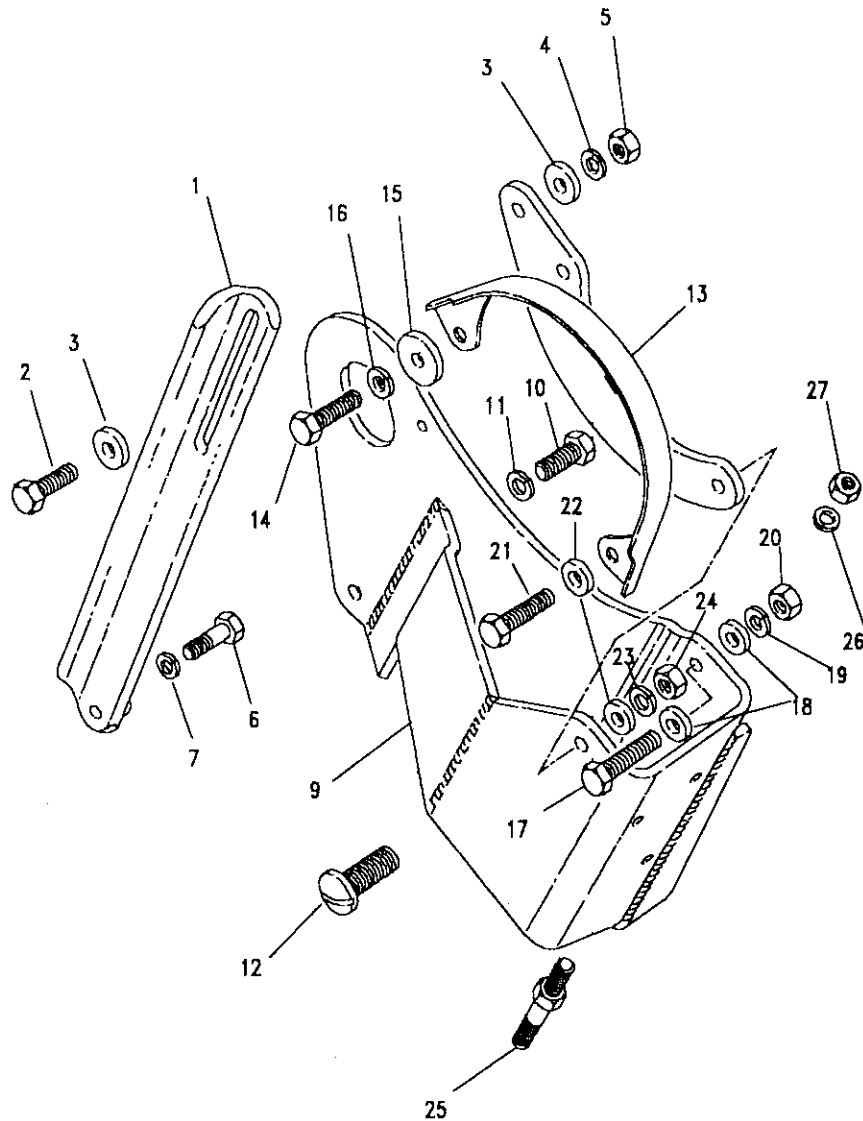
ENGINE

**Model** DEFENDER 110 1987 onwards  
**Page** AFBQPC3A

**ENGINE - ALTERNATOR FIXINGS - V8 CARB - NON AIR CON**

III. Part No.	Description	Qty	Remarks
17 613620	Clip support bracket	1	
18 BH506111L	Bolt bracket/head	2	
19 WM600061L	Washer spring	2	
20 BH506201L	Bolt	1	
21 3036L	Washer spring	3	
22 BH505111L	Bolt	1	
23 WM600051L	Washer spring	1	
24 WA108051L	Washer plain	1	





**Model** DEFENDER 110 1987 onwards  
**Page** AFBQPC4A

**ENGINE - ALTERNATOR FIXINGS - V8 CARB - WITH AIR CON**

III. Part No.	Description	Qty	Remarks
<b>Used Up to Engine 24G09105B</b>			
1	ERC7548	1	
2	FS108351L	1	
3	4866L	1	
4	WM600051L	1	
5	NH108041L	1	
6	BH605111L	1	
7	WL108001L	1	
8	ERC6547	1	
9	ERC6538	1	
10	SH506071L	1	
11	WM600061L	1	
12	SA506081L	1	
13	90613442	1	Upto 24G02919B
	ETC8440	1	)Note(1)
	ERC5830	2	
	ETC8559	2	)
14	SH108251L	1	
15	4594L	1	
16	WM600051L	1	

Note(1) From 24G02920B Latest condition with bush and grommet





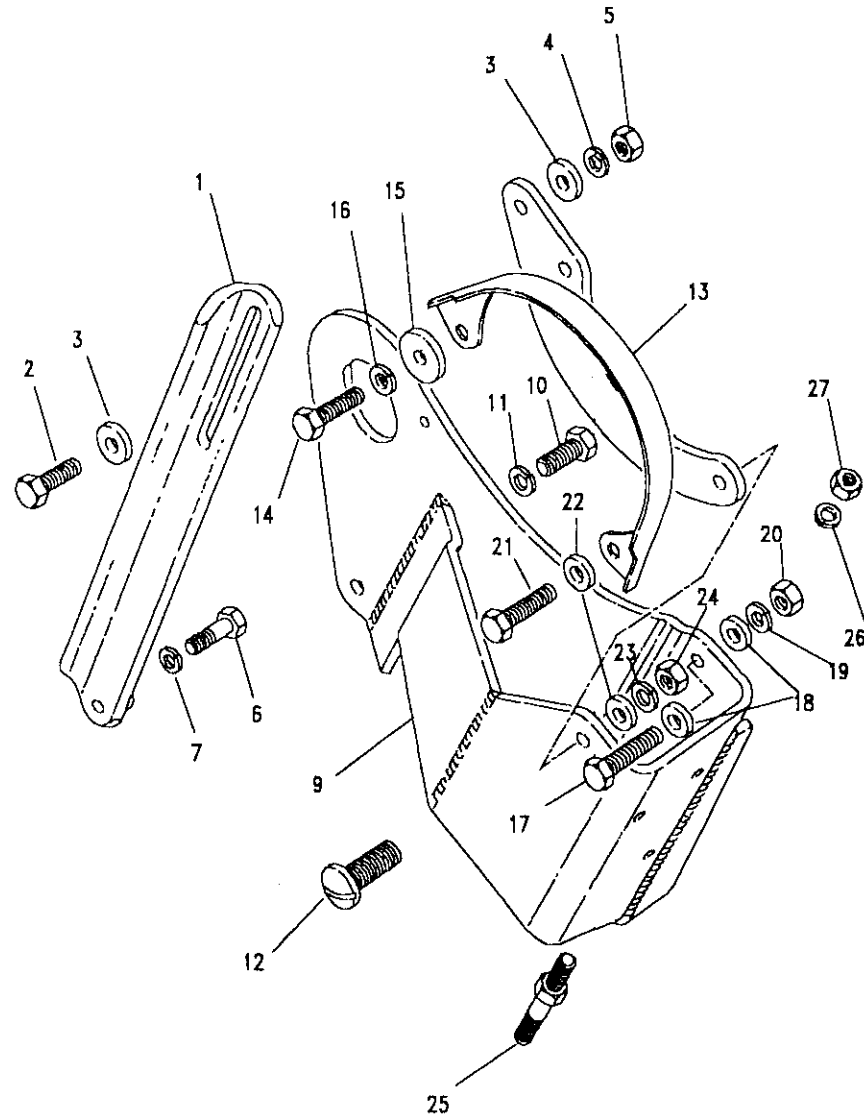
DEFENDER 110 1987 onwards

295

ENGINE

Model DEFENDER 110 1987 onwards  
Page AFBQPC4A

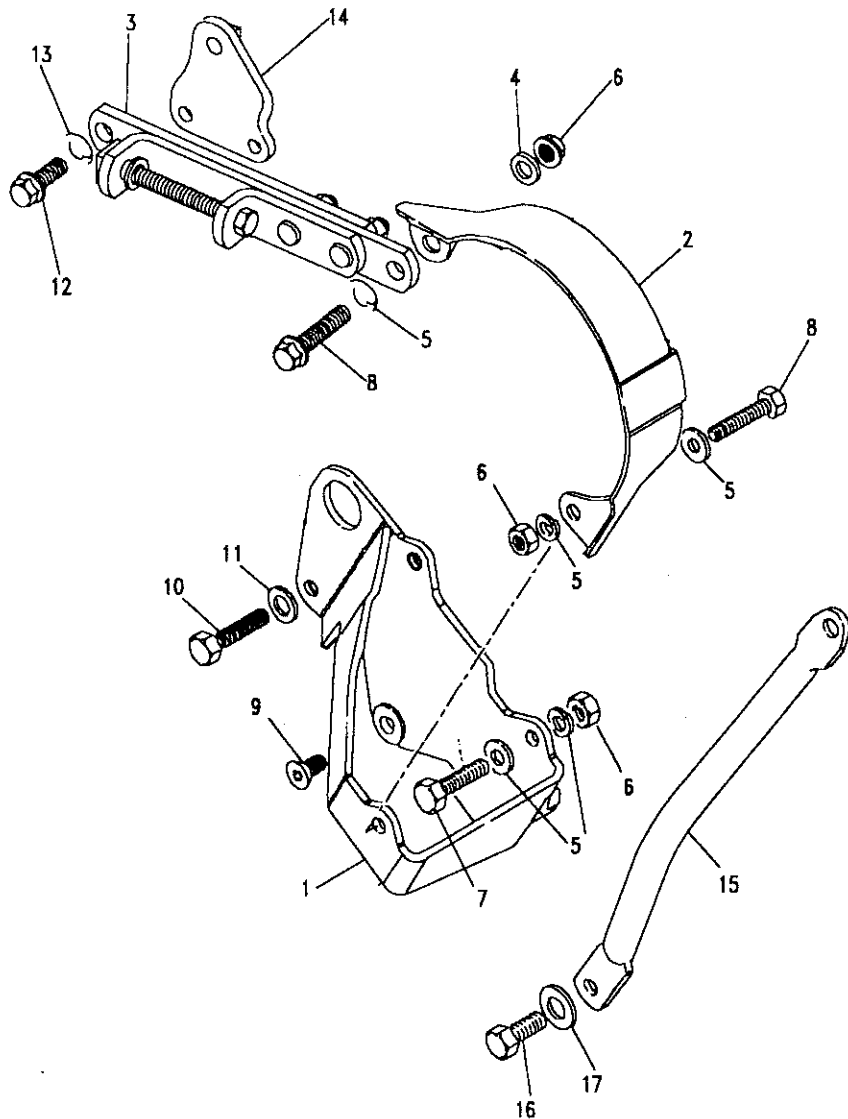
ENGINE - ALTERNATOR FIXINGS - V8 CARB - WITH AIR CON



III. Part No.	Description	Qty	Remarks
17	FB108081L Bolt front lug M8x40mm	1	
18	WA108051L Washer plain	2	
19	WM600051L Washer spring	1	
20	NH108041L Nut M8	1	
21	BH108091L Bolt rear lug M8x45mm	1	
22	WA108051L Washer plain	2	
23	WM600051L Washer spring	1	
24	NH108041L Nut M8	1	
25	602200 Bolt	1	
26	WM600061L Washer spring	1	
27	NH604041L Nut	1	







Model DEFENDER 110 1987 onwards

Page AFBQPC5A

ENGINE - ALTERNATOR FIXINGS - V8 CARB

III. Part No.	Description	Qty	Remarks
<b>Used from Engine 24G09106B</b>			
1	ETC5576	1	Mounting bracket
2	ETC8441	1	Fan guard (A127/65 Amp)
	ERC5830	2	Grommet
	ETC8559	2	Bush
3	ERR1574	1	Link adjuster
4	4594L	1	Spacer
5	WA108051L	8	Washer plain
6	NH108041L	3	Nut
7	SH108451L	1	Screw
8	SH108401L	2	Screw
9	ETC8765	1	Screw countersunk
10	SH506071L	1	Screw
11	WM600061L	1	Washer spring
12	FS108207L	1	Screw
13	WL108001L	1	Washer spring
14	ERR1885	1	Bracket
15	ETC8579	1	Strut alternator
16	SH506101L	1	Screw
17	WA110061L	1	Washer





DEFENDER 110 1987 onwards

297

ENGINE

**Model** DEFENDER 110 1987 onwards

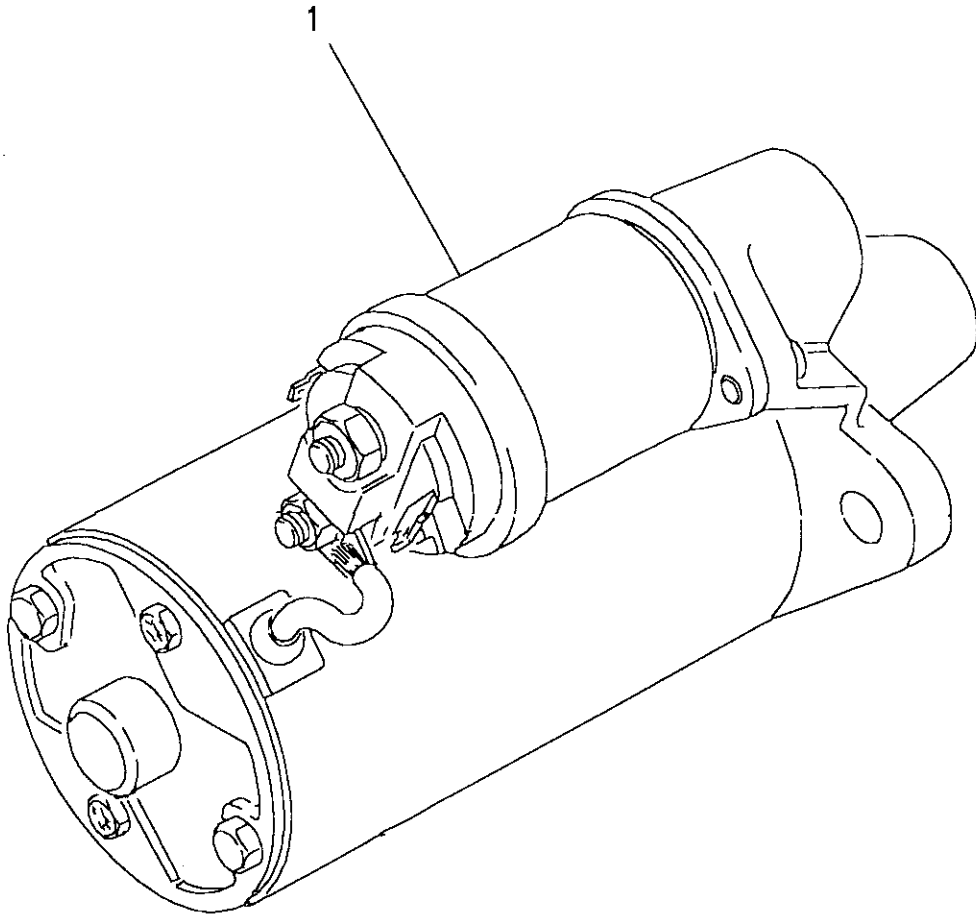
**Page** AFBQPE1A

**ENGINE - STARTER MOTOR - V8 CARB**

**III. Part No. Description Qty Remarks**

**Used up to JAN 1993**

1	RTC6061N	Starter motor M78R	1
	RTC5049	Solenoid	1
	RTC5700	Kit drive shaft	1
	RTC5048	Kit brushes	1
	RTC5563	Bush kit	1
	608395	Kit retention	1
	RTC5577	Kit sundry parts	1
	SS506121L	Screw starter/block	2
	WM600061L	Washer spring	2
	WA110061L	Washer plain	2

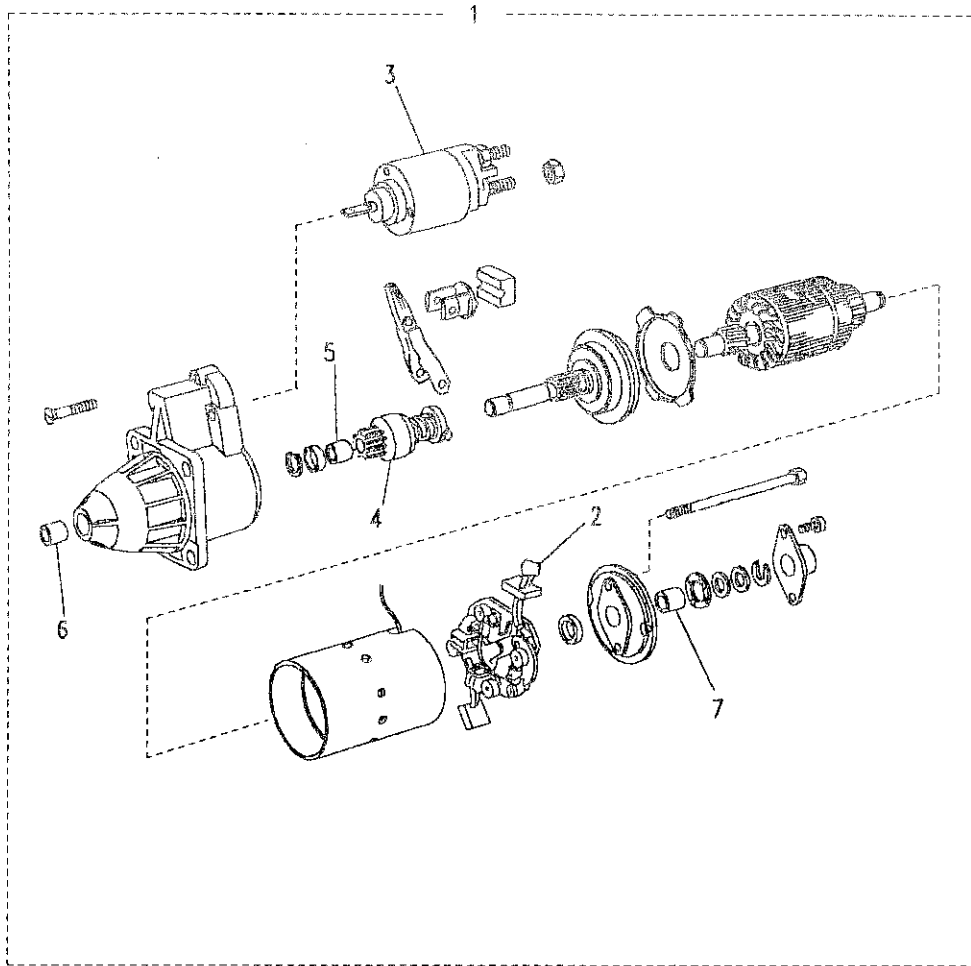




Model DEFENDER 110 1987 onwards  
Page AFBQPE2A

ENGINE - STARTER MOTOR - V8 CARB

III. Part No.	Description	Qty	Remarks
Used from JAN 1993			
1 NAD10038	Starter motor	1	
2 STC1243	Brush holder	1	
3 STC1242	Solenoid	1	
4 STC1241	Drive assembly	1	
5 STC1250	Bush	2	
6 STC1252	Bush	1	
7 STC1253	Bush	1	





Model DEFENDER 110 1987 onwards

Page AFBQRA1A

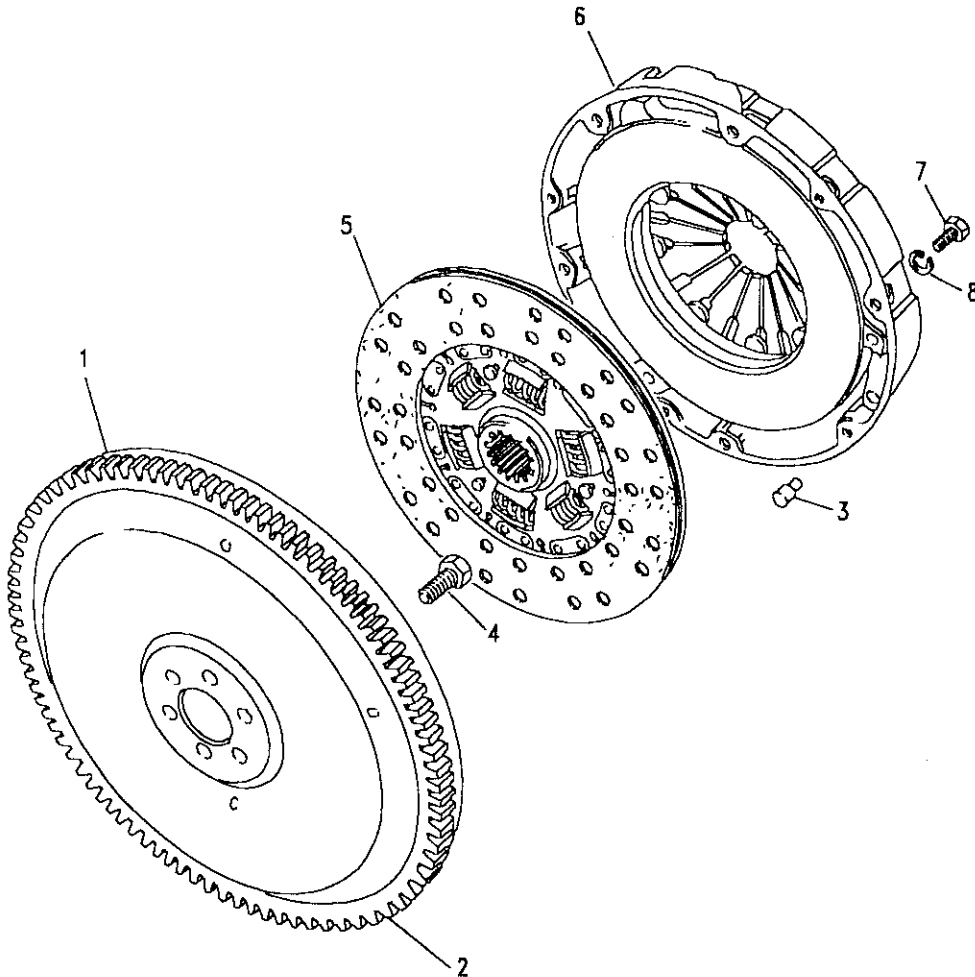
## ENGINE - FLYWHEEL &amp; CLUTCH - V8 CARB

## III. Part No.

## Description

## Qty Remarks

1	ERR2264	Flywheel assembly	1	
2	611323	Ring starter	1	
3	6395L	Dowel clutch	3	
4	SH607081L	Screw flywheel/crankshaft	6	
5	FRC6685	Clutch plate	1	
	FTC160	Clutch plate-asb/free	1	Upto24G11300
	FTC3197	Clutch plate-asb/free	1	From24G11301
6	576476	Clutch cover	1	
	STC8362	Kit clutch	1	
	FRC6685	Plate	1	
	576476	Cover	1	
	FRC9568	Bearing	1	
	STC8361	Kit clutch	1	)
	FTC160	Plate	1	)Asbestos
	576476	Cover	1	)Free
	FRC9568	Bearing	1	)
7	SH606061L	Screw clutch/flywheel	6	
8	WM600041L	Washer spring	6	
	AEU1750L	Lining package	1	





## MASTER INDEX

	PAGES		GROUP C
INTRODUCTION PAGES	1 - 7		
ALPHABETICAL INDEX	8 - 16		
ENGINE	17 - 66		
ENGINE	67 - 119		
ENGINE	120 - 166		
ENGINE	167 - 209		
ENGINE	210 - 245		
ENGINE	246 - 299		
ENGINE	300 - 326		
GEARBOX	327 - 344		
GEARBOX	345 - 359		
TRANSFER BOX	360 - 378		
TRANSFER BOX	379 - 397		
AXLES AND SUSPENSION	398 - 444		
STEERING	445 - 471		
VEHICLE AND ENGINE CONTROLS	472 - 486		
BRAKES	487 - 517		
FUEL SYSTEM AND AIR CLEANER	518 - 579		
EXHAUST SYSTEM	580 - 593		
COOLING/HEATING	594 - 637		
COOLING/HEATING	638 - 641		
COOLING/HEATING	642 - 649		
COOLING/HEATING	650 - 655		
COOLING/HEATING	656 - 666		
BODY ELECTRICAL	667 - 740		
BODY AND CHASSIS	741 - 909		
INTERIOR TRIM	910 - 955		
SEATS	956 - 1036		
STOWAGE	1037 - 1046		
ACCESSORIES - PAINTS	1047 - 1074		
NUMERICAL INDEX	1076 - 1151		
		GEARBOX	
		GEARBOX ASSEMBLY - LT77/LT77S	301
		CLUTCH RELEASE MECHANISM - 4CYL - LT77/LT77S	302
		CLUTCH RELEASE MECHANISM - V8 - LT77S	303
		CLUTCH HOUSING - LT77/LT77S	304
		GEARCASE - LT77 - UP TO SUFFIX E INCLUSIVE	305
		GEARCASE - LT77/LT77S FROM SUFFIX F	306
		EXTENSION CASE - LT77 - UP TO SUFFIX F INCLUSIVE	307
		EXTENSION CASE - LT77/LT77S FROM SUFFIX G	308
		EXTENSION CASE - LT77/LT77S - CONTINUED	309
		MAINSHAFT - LT77/LT77S	310
		MAINSHAFT - LT77/LT77S - CONTINUED	311
		MAINSHAFT GEARS - LT77	312 - 313
		MAINSHAFT GEARS - LT77/LT77S	314 - 316
		LAYSHAFT - LT77 - UPTO SUFFIX E INCLUSIVE	317 - 318
		LAYSHAFT - LT77/LT77S FROM SUFFIX F	319 - 320
		SELECTORS AND SHAFTS - LT77/LT77S	321
		SELECTORS AND SHAFTS - LT77/LT77S - CONTINUED	322
		GEAR LEVER - LT77/LT77S	323
		GEAR LEVER - LT77/LT77S - CONTINUED	324
		MOUNTINGS - LT77/LT77S	325
		GASKET KIT - LT77	326





DEFENDER 110 1987 onwards

301

GEARBOX

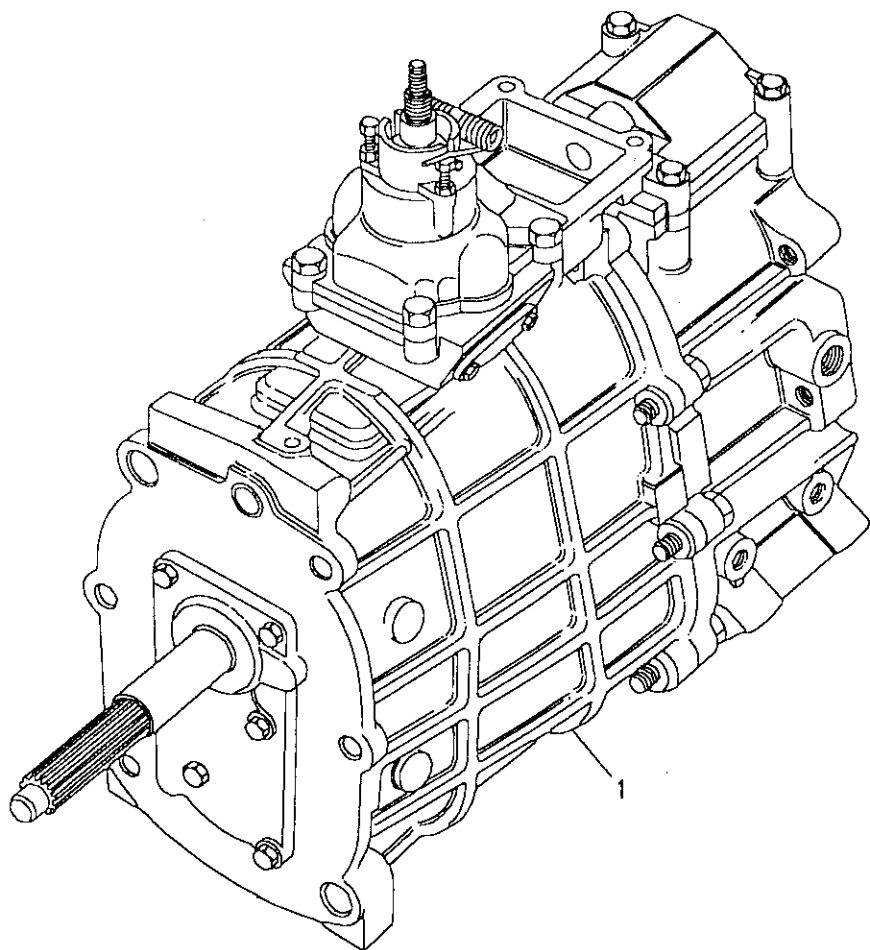
Model DEFENDER 110 1987 onwards

Page AFCDA1A

GEARBOX - GEARBOX ASSEMBLY - LT77/LT77S

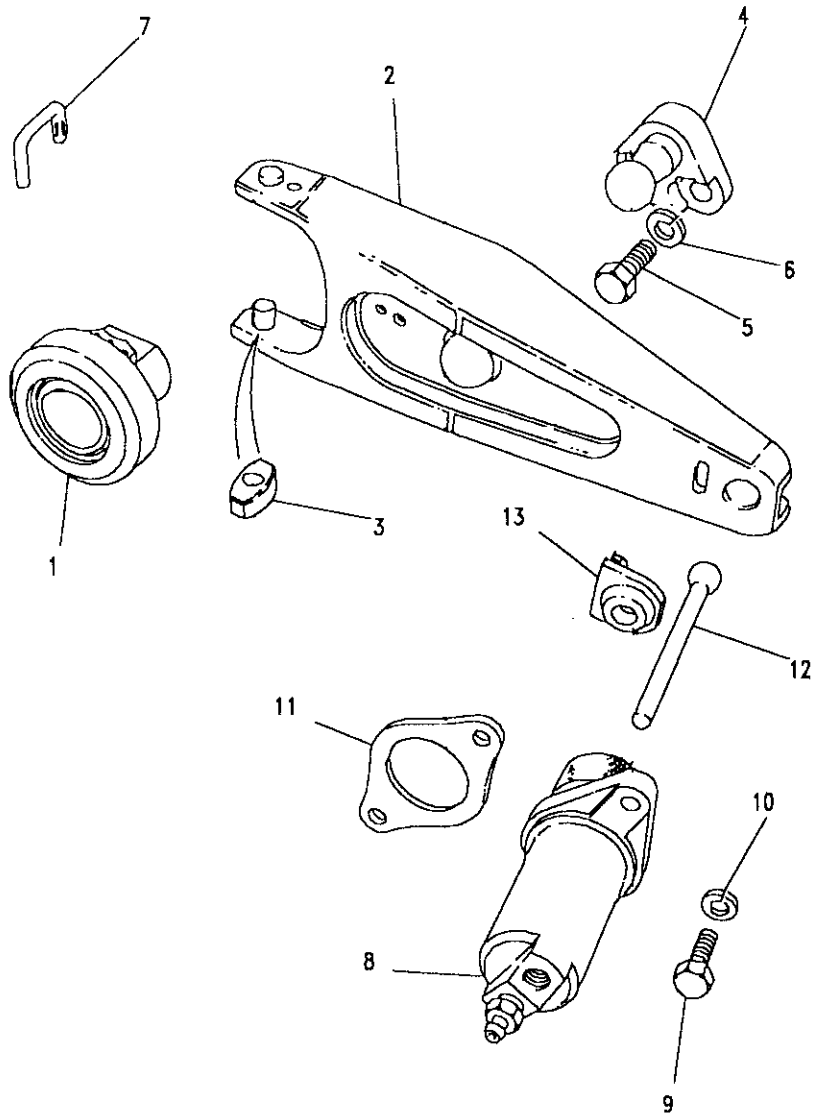
III. Part No.	Description	Qty	Remarks
1 FRC5928R	Gearbox assy RECON-LT77	1	Note(1)
RTC6999R	Gearbox assy RECON-LT77	1	Note(2)
RTC6868R	Gearbox assy RECON-LT77	1	Note(3)
STC1787N	Gearbox assy NEW-LT77S	1	Note(4)
STC1786N	Gearbox assy NEW-LT77S	1	Note(5)
STC1007R	Gearbox assy RECON-LT77S	1	
STC1004N	Gearbox assy NEW-LT77S	1	Note(6)
STC1005N	Gearbox assy NEW-LT77S	1	Note(7)

- Note(1) Serial Number 50A up to Suffix E
- Note(2) Serial Number 50A Suffix F
- Note(3) Serial Number 50A Suffix G
- Note(4) Serial Number 50A Suffix E.F.G.H
- Note(5) Serial Number 56A Suffix G.H.200 TDI
- Note(6) Serial Number 60A00001A for V8
- Note(7) Serial Number 61A00001A for V8 with OIL COOLER



T3503'





**Model** DEFENDER 110 1987 onwards  
**Page** AFCDCA1A

**GEARBOX - CLUTCH RELEASE MECHANISM - 4CYL - LT77/LT77S**

Ill. Part No.	Description	Qty	Remarks
1	FRC9568 Bearing clutch release	1	
2	FTC2957 Lever clutch release	1	
3	FRC5255 Slipper pad-clutch lever	2	
4	FRC5180 Plate pivot	1	
5	FS108301L Bolt	2	
6	WL108001L Washer spring	2	
7	FRC3416 Staple-lever to sleeve	1	
8	591231 Slave cylinder	1	Note(1)
9	SH108251L Screw	2	
10	WL108001L Washer spring	2	
11	591988 Plate backing	1	
12	FRC3417 Push rod-slave cylinder	1	
13	FRC3327 Clip-push rod to lever	1	

Note(1) Slave cylinder overhaul kit 8G8600L





DEFENDER 110 1987 onwards

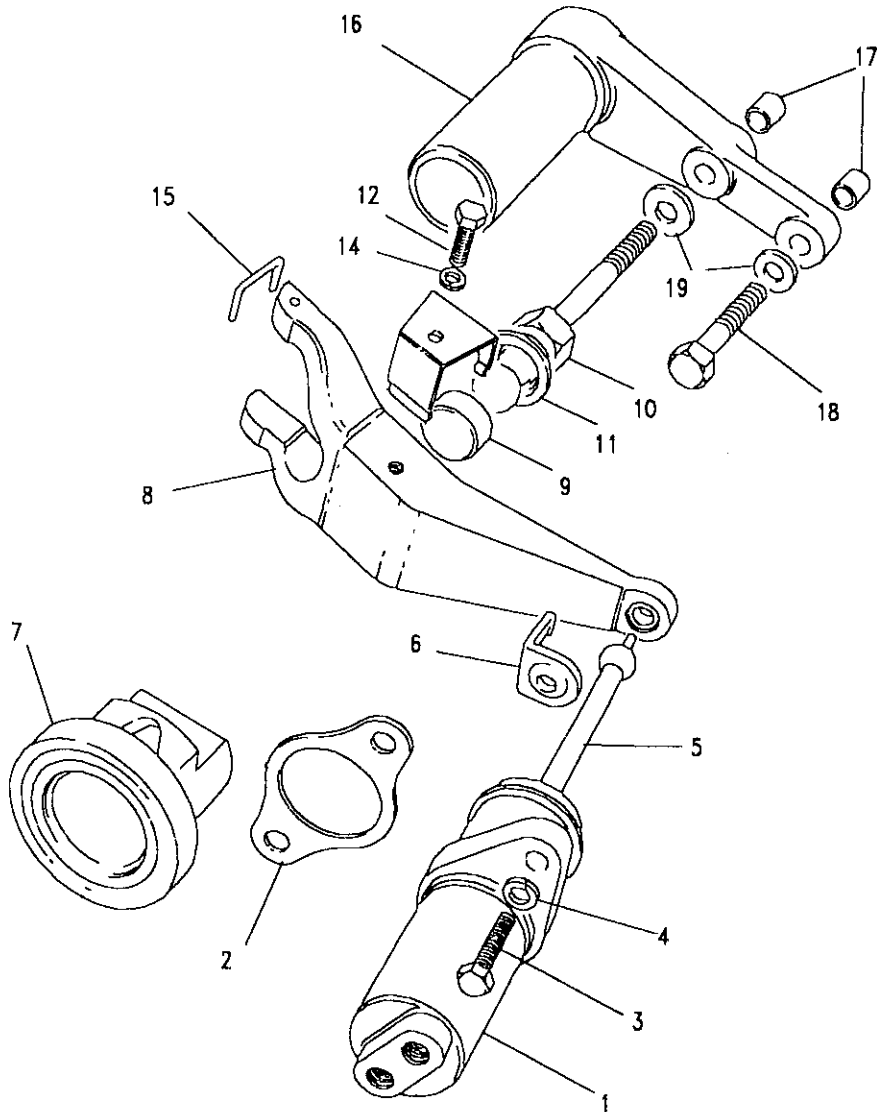
303

GEARBOX

Model DEFENDER 110 1987 onwards  
Page AFCDCA2A

**GEARBOX - CLUTCH RELEASE MECHANISM - V8 - LT77S**

III. Part No.	Description	Qty	Remarks
1	UKC8677L	1	Slave cylinder clutch
	BHM7063L	1	Kit repair slave cylinder
2	FRC2402	1	Plate backing
3	SH108251L	2	Screw
4	WL108001L	2	Washer spring
5	571160	1	Push rod
6	576723	1	Clip
7	FRC9568	1	Bearing clutch release
8	576137	1	Lever
9	FRC2975	1	Cap-pivot lever
10	FRC2528	1	Pivot
11	571161	1	Insert
12	SH106101L	1	Screw
13	WM106001L	1	Washer spring
14	571163	1	Clip
15	576203	1	Staple
16	FRC4803	1	Guide
17	FRC2481	2	Dowel
18	SH108401L	1	Screw
19	WL108001L	2	Washer spring







**Model** DEFENDER 110 1987 onwards  
**Page** AFCDEA1A

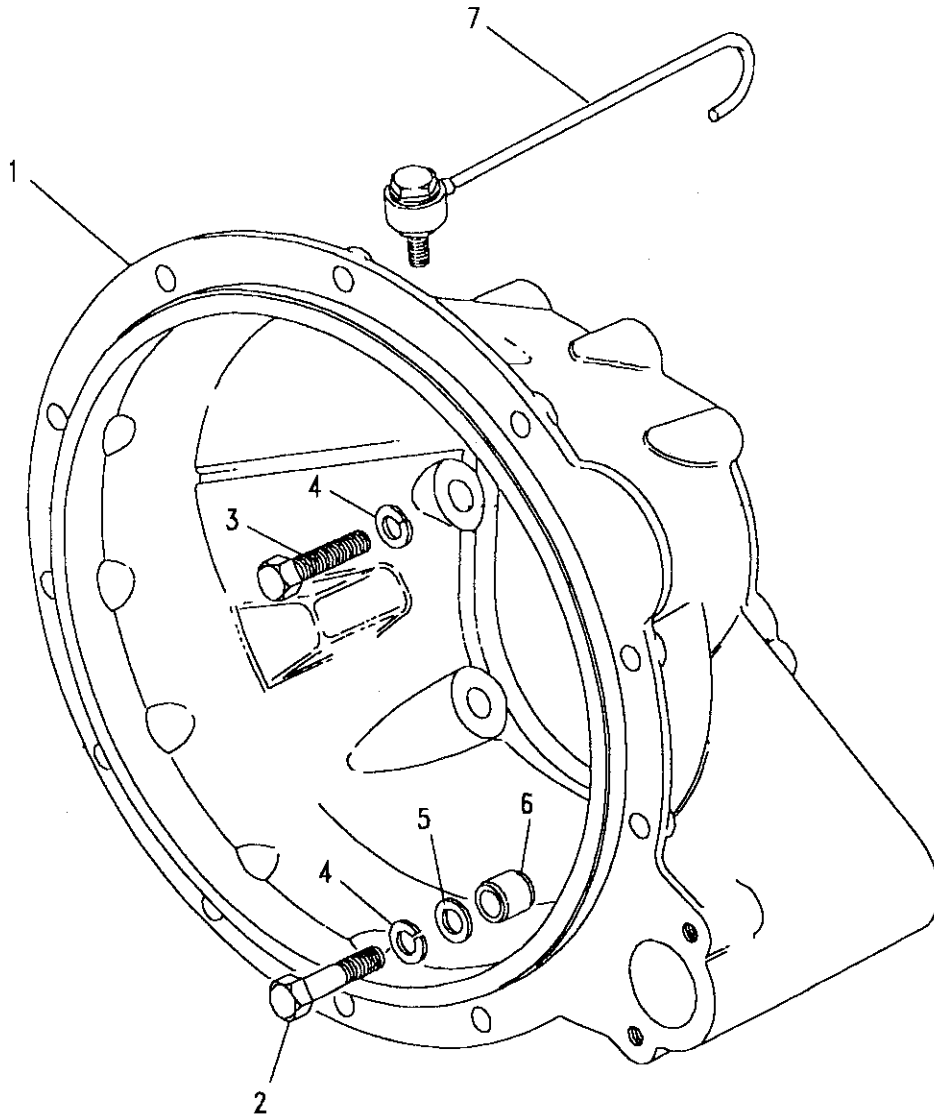
**GEARBOX - CLUTCH HOUSING - LT77/LT77S**

III. Part No.	Description	Qty	Remarks
1	FRC9865	1	Note(1)
	FRC6154	1	Note(2)
2	BH112091L	2	
3	SH112301L	4	
4	WL112001L	6	
5	WA112081L	2	
6	UKC25L	2	
	FRC8758	2	
7	FRC6375	1	Upto SEPT1987
	FRC9428	1	From SEPT1987

**Fixings Gearbox to Engine**

FN110041L	Nut flanged	11
WA110061L	Washer plain	11

Note(1) For gearbox Serial Number 50A and 56A  
 Note(2) For gearbox Serial Number 60A and 61A

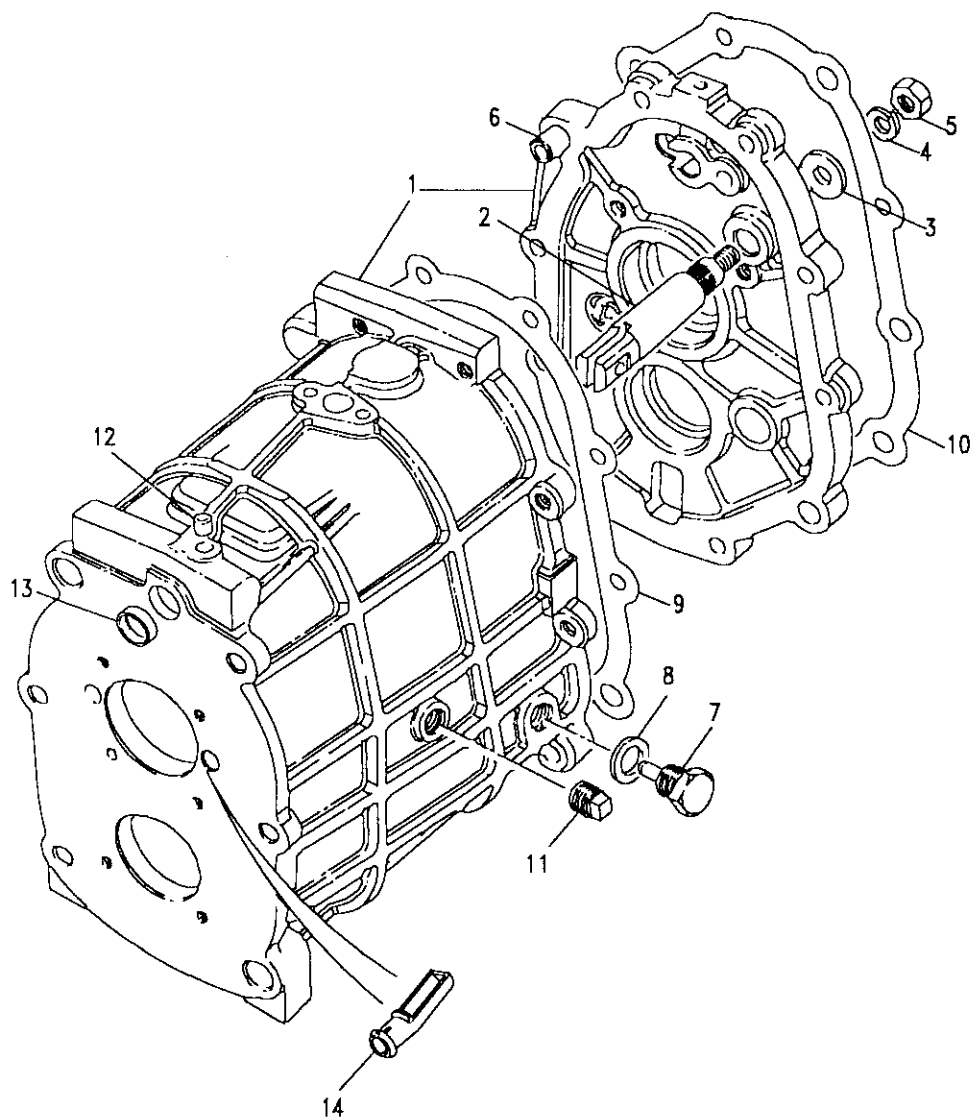


Model DEFENDER 110 1987 onwards

Page AFCDEA2A

GEARBOX - GEARCASE - LT77 - UP TO SUFFIX E INCLUSIVE

III. Part No.	Description	Qty	Remarks
1	STC471	1	Gearcase/centre plate
2	FRC8383	1	Pin-reverse lever
3	WA110061L	1	Washer
4	WL110001L	1	Washer spring
5	NH110041L	1	Nut
6	UKC170L	2	Dowell hollow
7	FRC6145	1	Plug drain
8	FTC4112	1	Washer copper
9	TKC1229L	1	Gasket-g/case to plate
10	TKC1235L	1	Gasket-plate to ext/hsg
11	3292	1	Plug-oil level
12	UKC24L	1	Plug core
13	UKC30L	1	Plug core
14	TKC5779L	1	Catcher oil
	FRC9803	1	Plug core
	UKC25L	1	Dowel





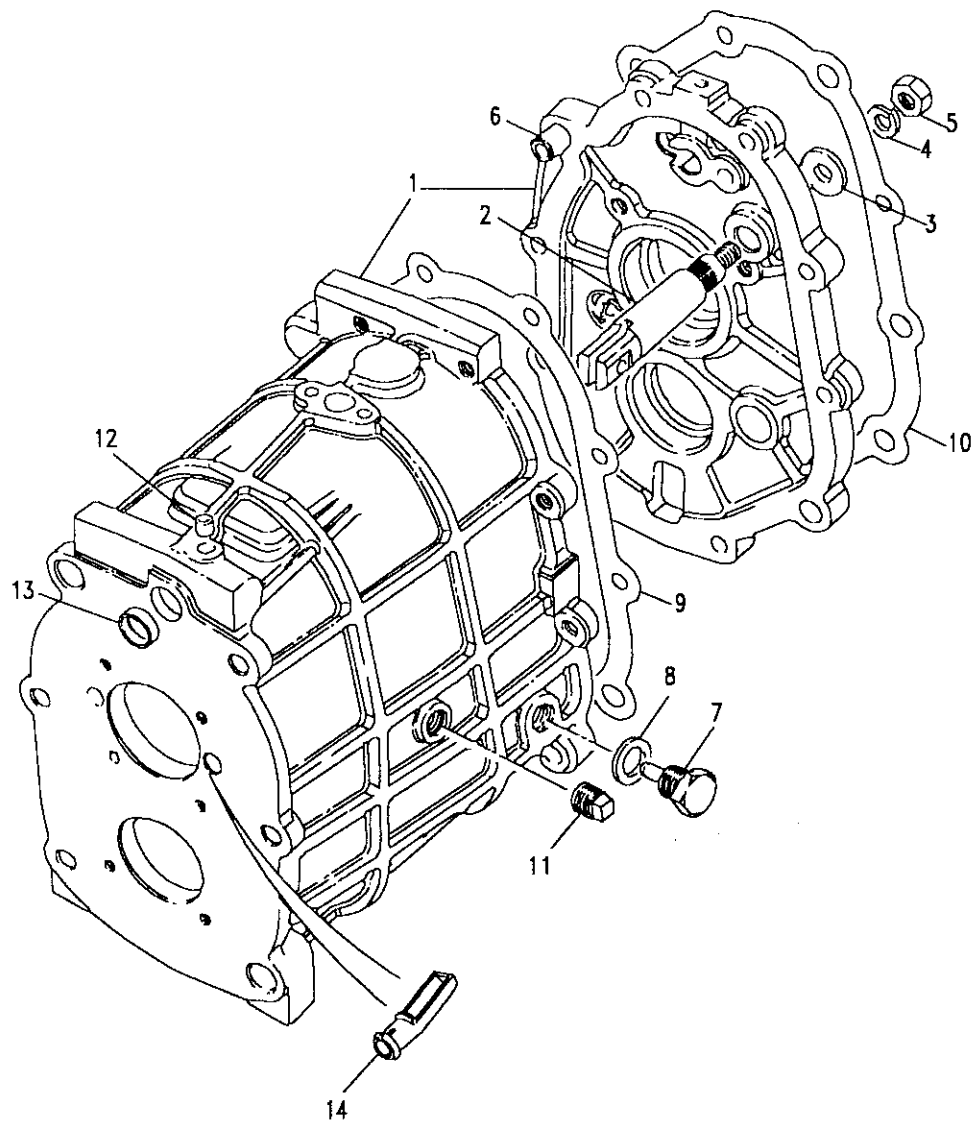
Model DEFENDER 110 1987 onwards

Page AFCDEA3A

## GEARBOX - GEARCASE - LT77/LT77S FROM SUFFIX F

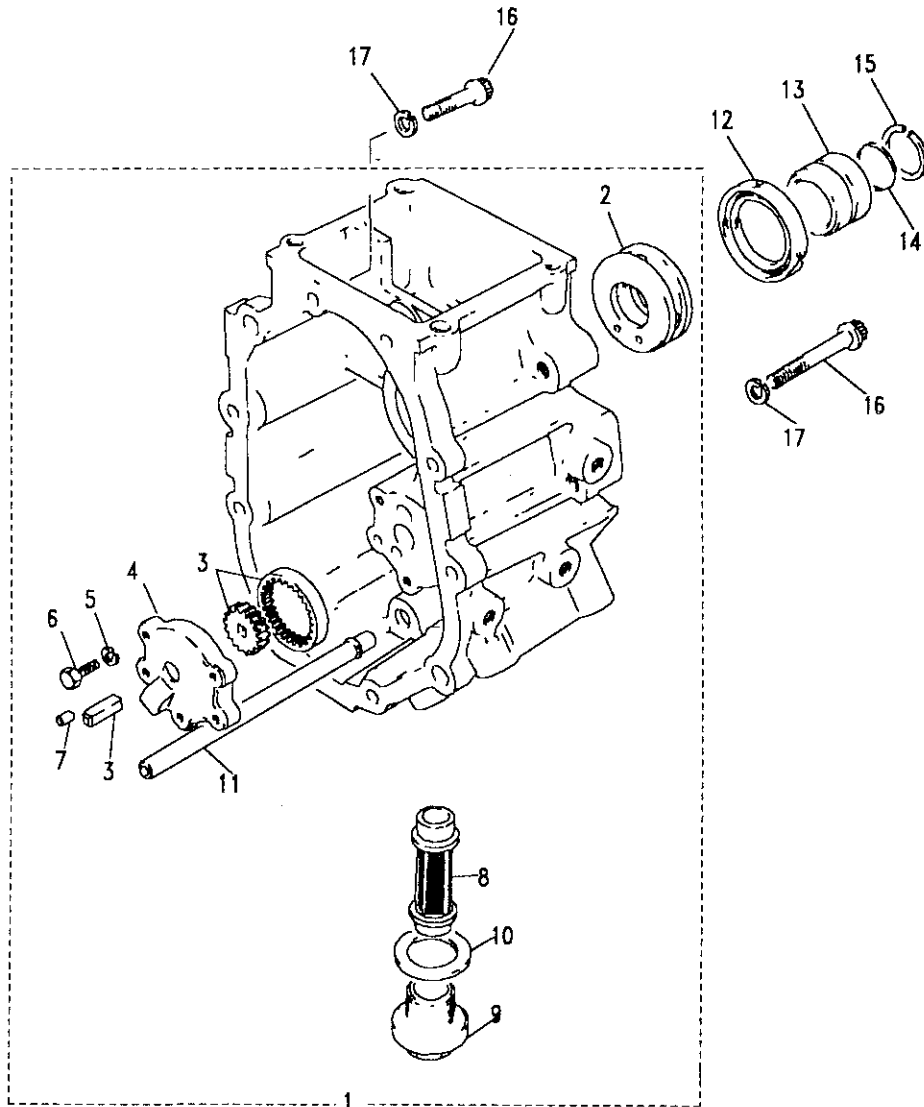
Ill. Part No.	Description	Qty	Remarks
1	STC1036 Gearcase/centre plate	1	Note(1)
6	UKC170L Dowel	2	
	FTC918 Gearcase/centre plate	1	Note(2)
	FTC2192 Gearcase/centre plate	1	Note(3)
2	FRC8383 Pin-reverse lever	1	
3	WA110061L Washer	1	
4	WL110001L Washer spring	1	
5	NH110041L Nut	1	
6	UKC170L Dowell hollow	2	
7	FRC6145 Plug drain	1	
8	FTC4112 Washer copper	1	
9	TKC1229L Gasket-g/case to plate	1	
10	TKC1235L Gasket-plate to ext/hsg	1	
11	3292 Plug-oil level	1	
12	UKC24L Catcher oil	1	
13	UKC30L Plug core	1	
14	TKC5779L Catcher oil	1	

Note(1) For gearbox Serial Number 50A Suffix F  
 Note(2) For gearbox Serial Number 50A 56A Suffix G  
 Note(3) For gearbox Serial Number 50A Suffix H and 56A,60A,61A



**Model** DEFENDER 110 1987 onwards  
**Page** AFCDGA1A

**GEARBOX - EXTENSION CASE - LT77 - UP TO SUFFIX F INCLUSIVE**



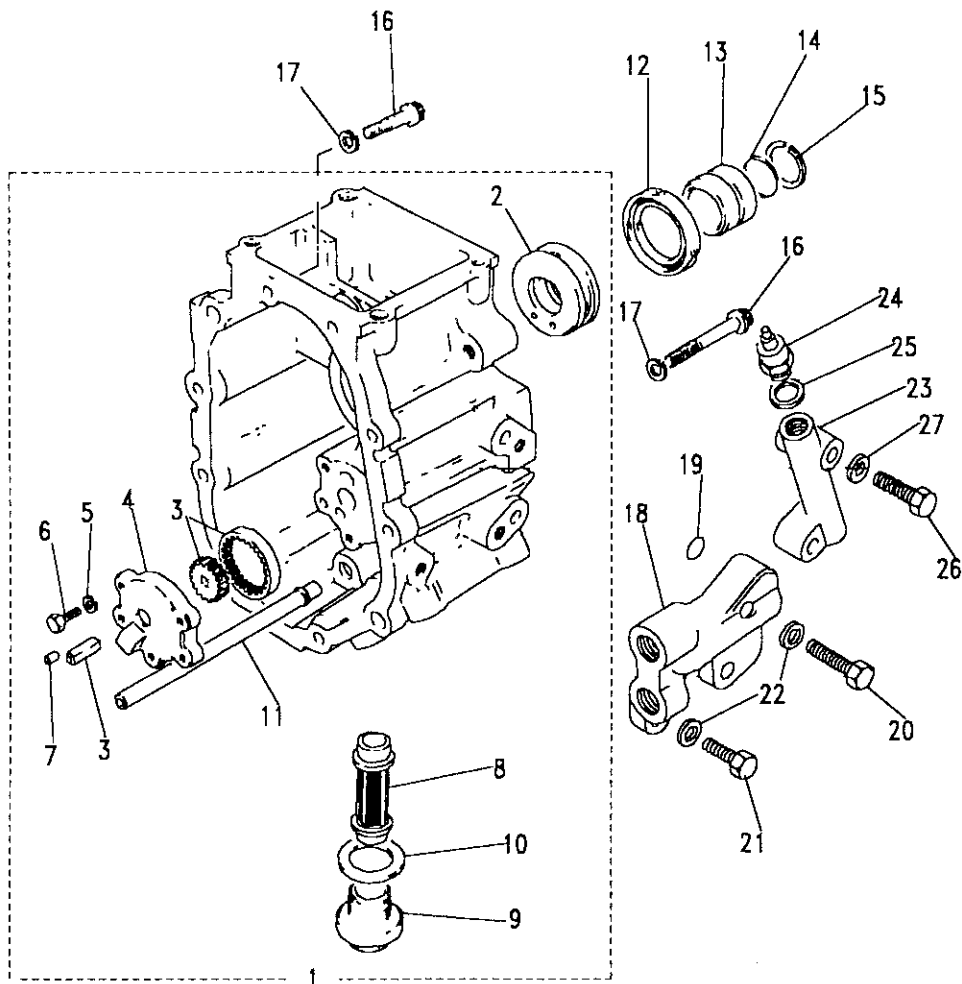
III. Part No.	Description	Qty	Remarks
1	FTC1518	1	Extension case/oil pump
2	FRC4449	1	Ring oil feed
3	RTC2057	1	Kit-pump gears and shaft
4	FRC6246	1	Body-oil pump
5	WL106001L	3	Washer spring
6	FS106201L	3	Screw
7	UKC2738L	2	Dowel
8	FRC6244	1	Filter
9	90571104	1	Plug-filter
10	FRC4810	1	Washer-plug
11	FRC8104	1	Pipe inlet pump
12	FRC2365	1	Seal oil extension case
13	FRC4493	1	Collar-oil seal
14	FRC4501	1	'O'ring-collar
15	FRC4494	1	Spring ring-collar
16	FB108101	2	Bolt-extension to gearbox
	FRC4282	8	Bolt-extension to gearbox
17	WL108001L	10	Washer spring

Model DEFENDER 110 1987 onwards

Page AFCDGA2A

GEARBOX - EXTENSION CASE - LT77/LT77S FROM SUFFIX G

III. Part No.	Description	Qty	Remarks
1	FTC1518	1	Note(1)
	FTC2102	1	Note(2)
	FTC2190	1	Note(3)
	FTC890	1	
	FTC1533	1	
2	FRC4449	1	
	FTC2210	1	Asbestos free
3	STC822	1	
4	FTC1403	1	
	FTC3623	1	Note(4)
5	WA106001L	3	
6	BH106061L	3	
7	UKC2738L	2	
8	FRC6244	1	
9	90571104	1	
10	FRC4810	1	
11	FRC8104	1	

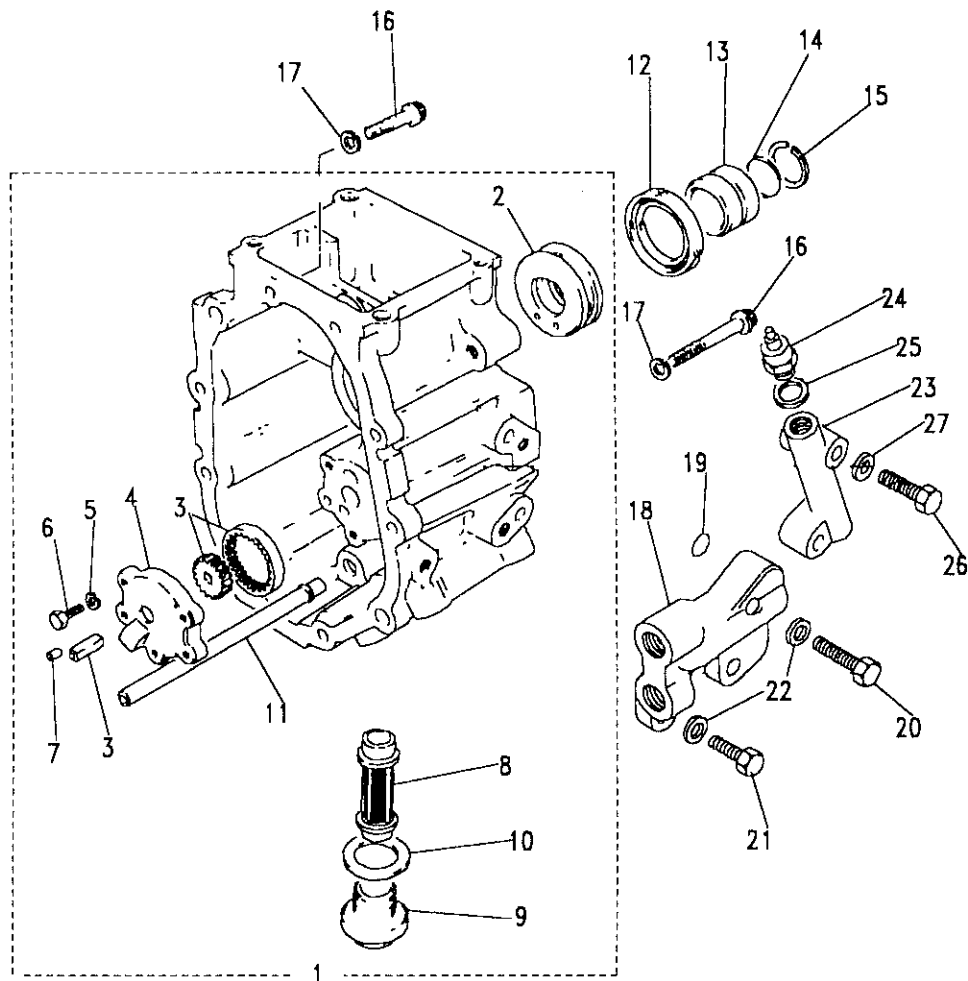


Model DEFENDER 110 1987 onwards  
Page AFCDGA2A

GEARBOX - EXTENSION CASE - LT77/LT77S - CONTINUED

III. Part No.	Description	Qty	Remarks
12	FRC2365	1	Seal oil extension case
13	FRC4493	1	Collar-oil seal
14	FRC4501	1	O ring-collar
15	FRC4494	1	Ring spring-collar
16	BH108105L	2	Bolt
	FRC4282	8	Bolt
17	WL108001L	10	Washer spring
18	FTC1404	1	Thermostat
19	FTC1441	2	O ring
20	SH108401L	1	Screw M8x40 long
21	SH108301L	2	Screw M8x30 long
22	WA108051L	3	Washer plain M8
23	FTC2104	1	Block oil extension case
24	PRC8873	1	Transmitter temp
25	232042	1	Washer joint copper
26	SH108401L	2	Screw M8x40 long
27	WA108051L	2	Washer plain M8

Note(1) For gearbox prefix 50A Suffix G & H and all prefix 56A  
 Note(2) For gearbox prefix 60A  
 Note(3) For gearbox prefix 61A  
 Note(4) From gearbox number 0207406H

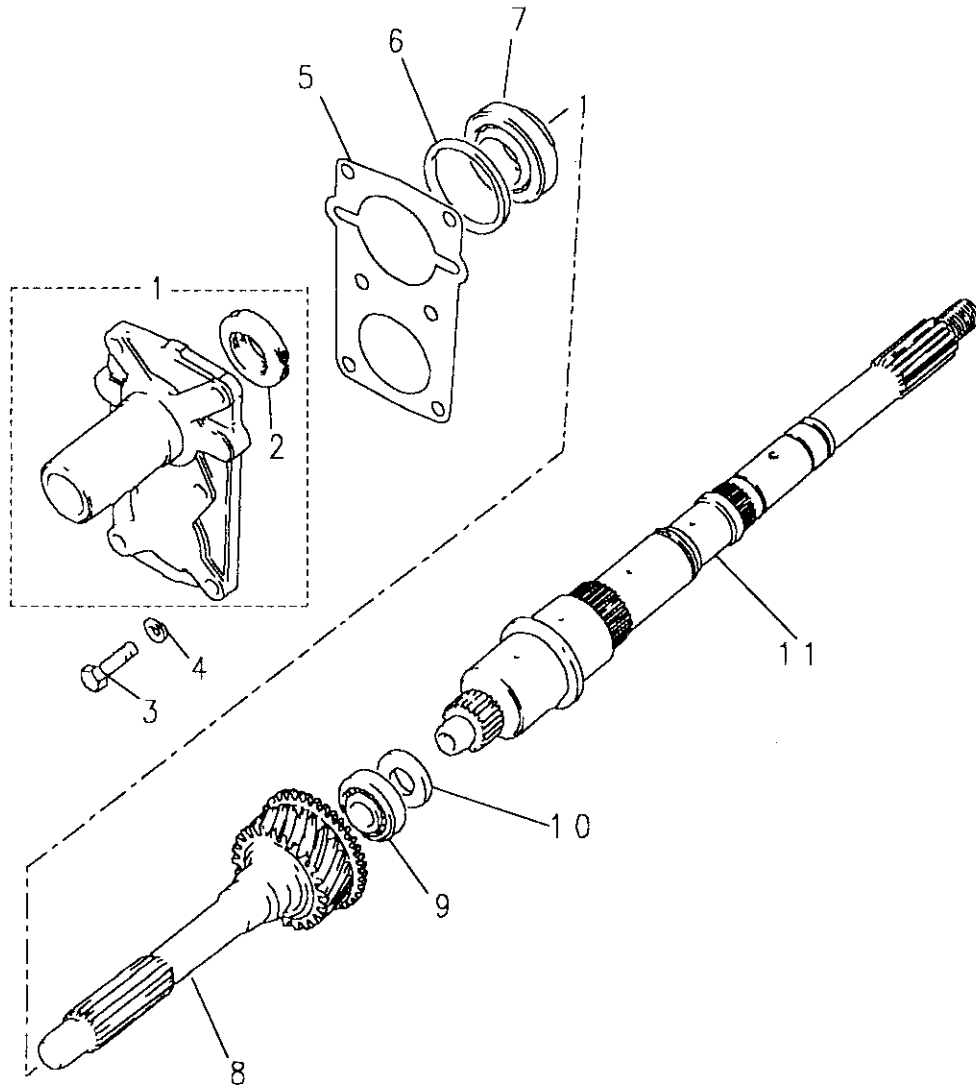




Model DEFENDER 110 1987 onwards  
Page AFCDIA1A

## GEARBOX - MAINSHAFT - LT77/LT77S

III. Part No.	Description	Qty	Remarks
1 FRC4856	Cover front assy	1	Upto Suf E incl
FTC311	Cover front assy	1	From Suf F
FTC1438	Cover front assy	1	Note(1)
FTC2822	Cover front assy	1	Note(3)
2 UKC1060L	Seal oil-front cover	1	
3 SH108251L	Screw	6	
4 WA108051L	Washer plain	6	
5 FRC4873	Gasket-frm/cov-g/case	1	Upto Suf E incl
FTC316	Gasket-frm/cov-g/case	1	From Suf F
6	SELECTIVE WASHERS		
FRC4327	1.51mm	A/R	
FRC4329	1.57mm	A/R	
FRC4331	1.63mm	A/R	
FRC4333	1.69mm	A/R	
FRC4335	1.75mm	A/R	
FRC4337	1.81mm	A/R	
FRC4339	1.87mm	A/R	
FRC4341	1.93mm	A/R	
FRC4343	1.99mm	A/R	
FRC4345	2.05mm	A/R	
FRC4347	2.11mm	A/R	
FRC4349	2.17mm	A/R	
FRC4351	2.23mm	A/R	
FRC4353	2.29mm	A/R	
FRC4355	2.35mm	A/R	
FRC4357	2.41mm	A/R	
FRC4359	2.47mm	A/R	
FRC4361	2.53mm	A/R	
FRC4363	2.59mm	A/R	
FRC4365	2.65mm	A/R	
FRC4367	2.71mm	A/R	
FRC4369	2.77mm	A/R	



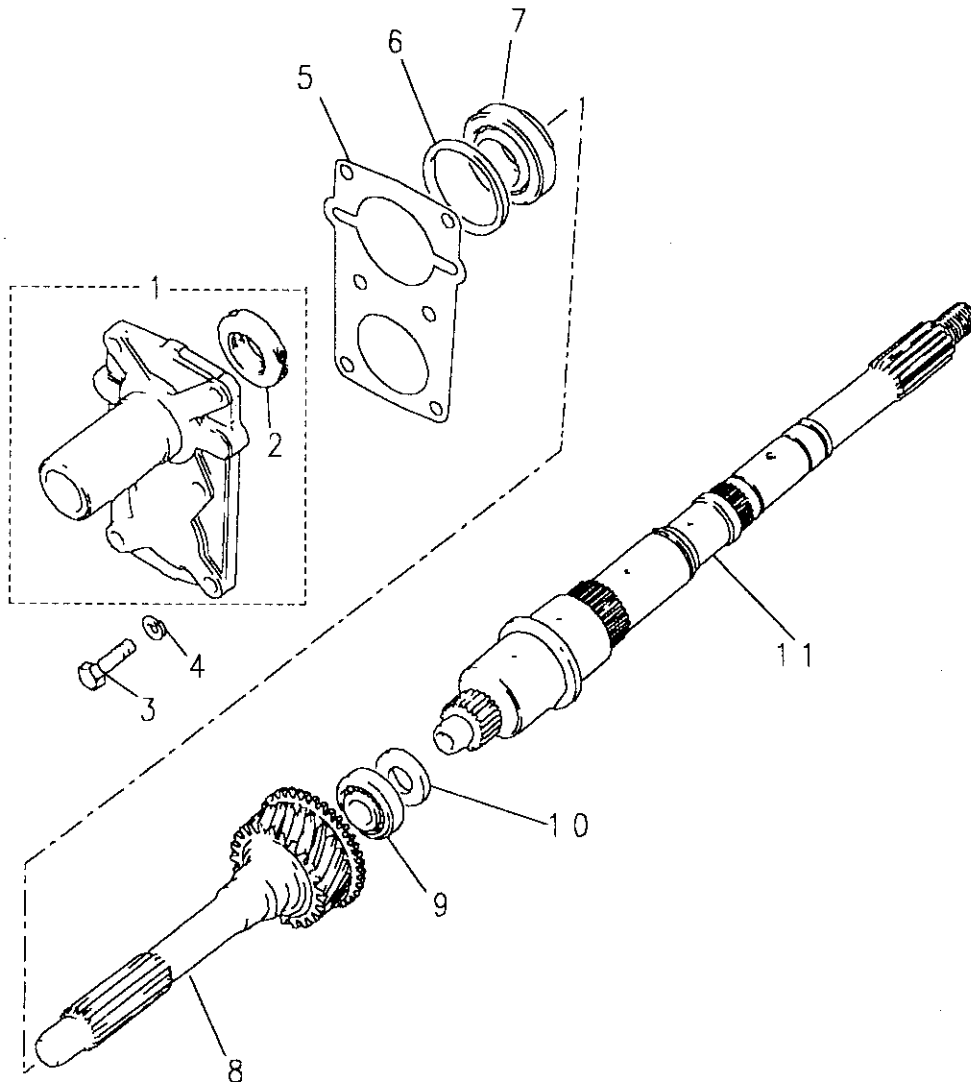


Model DEFENDER 110 1987 onwards  
Page AFCDIA1A

GEARBOX - MAINSHAFT - LT77/LT77S - CONTINUED

III. Part No.	Description	Qty	Remarks
7 RTC6751	Bearing	1	Suffix E.F
8 FRC4845	Shaft-constant pinion	1	50A Suffix E.F
FTC1406	Shaft-constant pinion	1	)50A
FTC1293	Disc synchro stop	1	)Suffix G.H
FTC1428	Shaft-constant pinion	1	)56A
FTC1112	Disc synchro stop	1	)Suffix G.H
FTC347	Shaft constant pinion	1	)60A 61A
FTC1293	Disc synchro stop	1	)Suffix H
FTC1420	Shaft constant pinion	1	TAXI
9 UKC8L	Bearing	1	
10 UKC37L	Spacer	1	
11 FRC5305	Mainshaft assembly	1	50A Suffix E.F
FTC1446	Mainshaft assembly	2	Note(2)
STC1889	Mainshaft assembly	2	Note(3)
FTC1282	Mainshaft assembly	2	Note(3)

Note(1) For gearbox Serial Number 50A Suffix G&H and 56A,60A,61A  
 Note(2) For gearbox Serial Number 50A 56A Suffix G  
 Note(3) For gearbox Serial Number 50A Suffix H and 56A,60A,61A up to gearbox number 0242819H  
 Note(4) For gearbox Serial Number 50A Suffix H and 56A,60A,61A from gearbox number 0242820H







Model DEFENDER 110 1987 onwards

Page AFCDIC1A

GEARBOX - MAINSHAFT GEARS - LT77

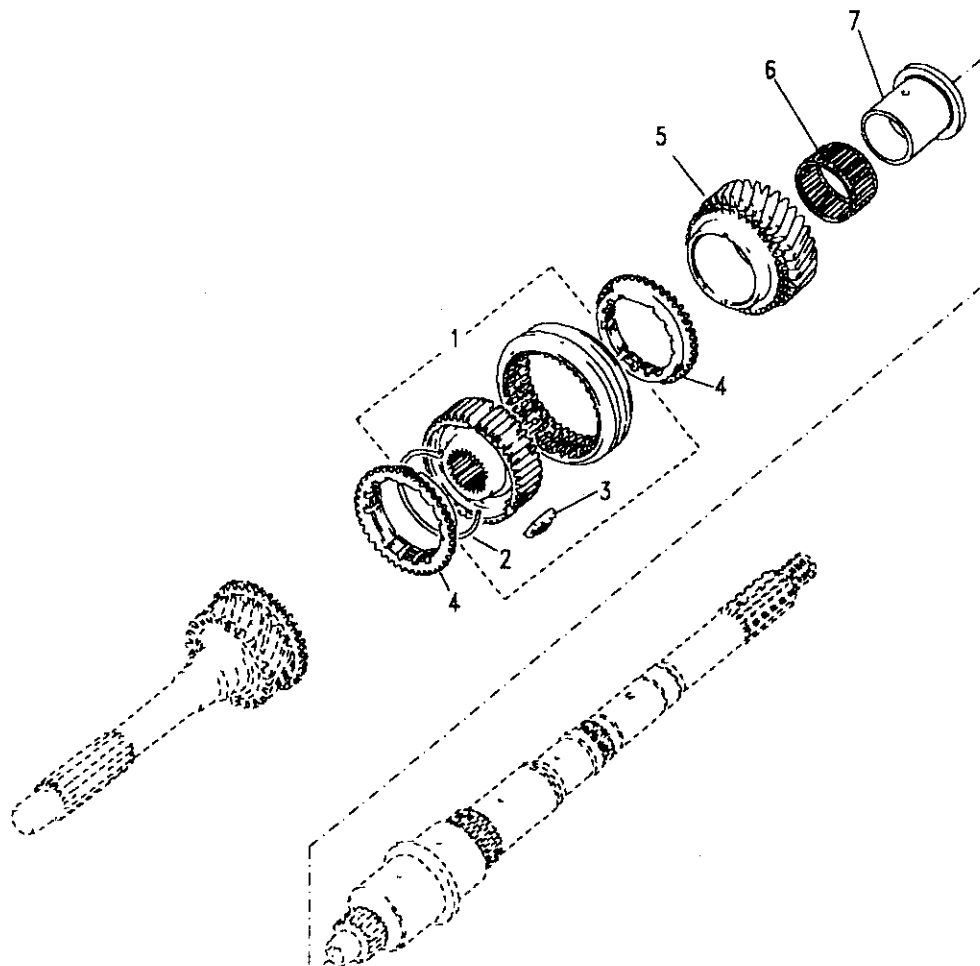
III. Part No.

Description

Qty Remarks

3rd and 4th gears

1	FRC9792	Synchro assembly	1	
2	UKC311L	Spring synchro	2	
3	UKC3530L	Plate shifting	3	
4	FRC8232	Baulk ring	2	
5	TKC6932L	Gear 3rd speed	1	Upto 50A suf F
	FTC358	Gear 3rd speed	1	50A,56A/suf G
	FTC2504	Gear 3rd speed	1	60A,61A/suf H
	FTC2505	Gear 3rd speed	1	50A,56A/suf H
6	FTC1313	Bearing	2	)50A,56A,60A
7	FTC1310	Bush mainshaft gear	1	)61A/suf H





DEFENDER 110 1987 onwards

313

GEARBOX

Model DEFENDER 110 1987 onwards

Page AFCDIC2A

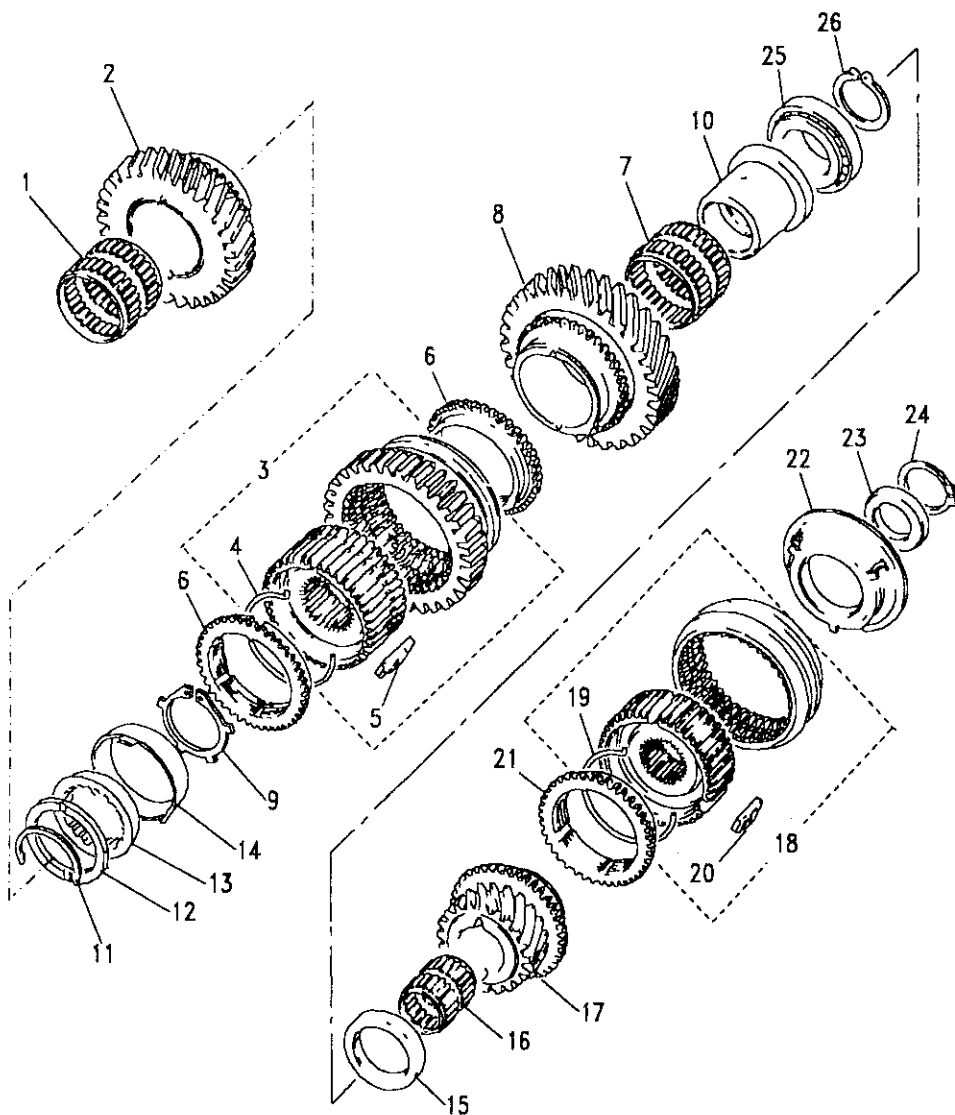
GEARBOX - MAINSHAFT GEARS - LT77

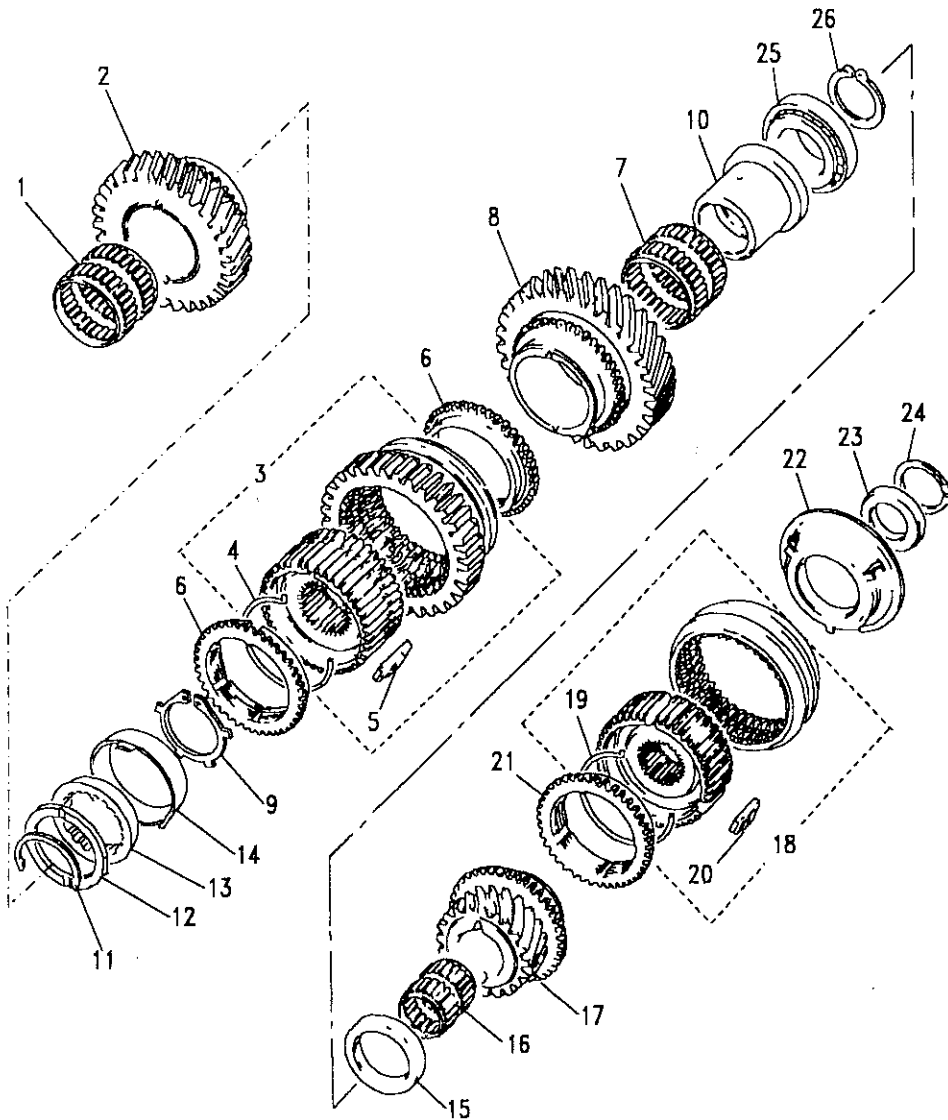
III. Part No. Description Qty Remarks

1st and 2nd gears

1	FRC5678 FTC1312	Bearing needle Bearing needle	2 2	50A,56A Suf-G incl )50A,56A,60A, )61A/Suf-H
2	FRC5279 FTC357 FTC2462	Gear 2nd speed Gear 2nd speed Gear 2nd speed	1 1 1	Upto 50A/Suf F incl 50A,56A Suf G )50A,56A,60A, )61A/Suf-H
3	FRC6670 FRC9386 FTC1361 STC8577	Synchro assembly Synchro assembly Synchro assembly Synchro assembly kit	1 1 1 1	Upto0173664 From0173665 50A,56A Suf-G )50A,56A,60A, )61A/Suf-H
4	UKC31L	Spring	2	)Upto
5	UKC3531L	Plate shifting	3	)50A,56A,
6	FRC8232	Baulk ring	2	)Suffix G incl
4	UKC31L	Spring	2	)50A,56A,60A,
5	FTC3373	Plate shifting	3	)61A/Suf-H
6	FTC2282	Baulk ring	2	)
5	FTC4011	Plate shifting synchro	3	) Note(1)
6	FTC4007	Baulk ring	2	)
7	FRC5679 FTC1311	Bearing needle Bearing needle	1 1	Up to Suf G Suffix H

Note(1) From gearbox 0242820H





**Model** DEFENDER 110 1987 onwards  
**Page** AFCDIC2A

**GEARBOX - MAINSHAFT GEARS - LT77/LT77S**

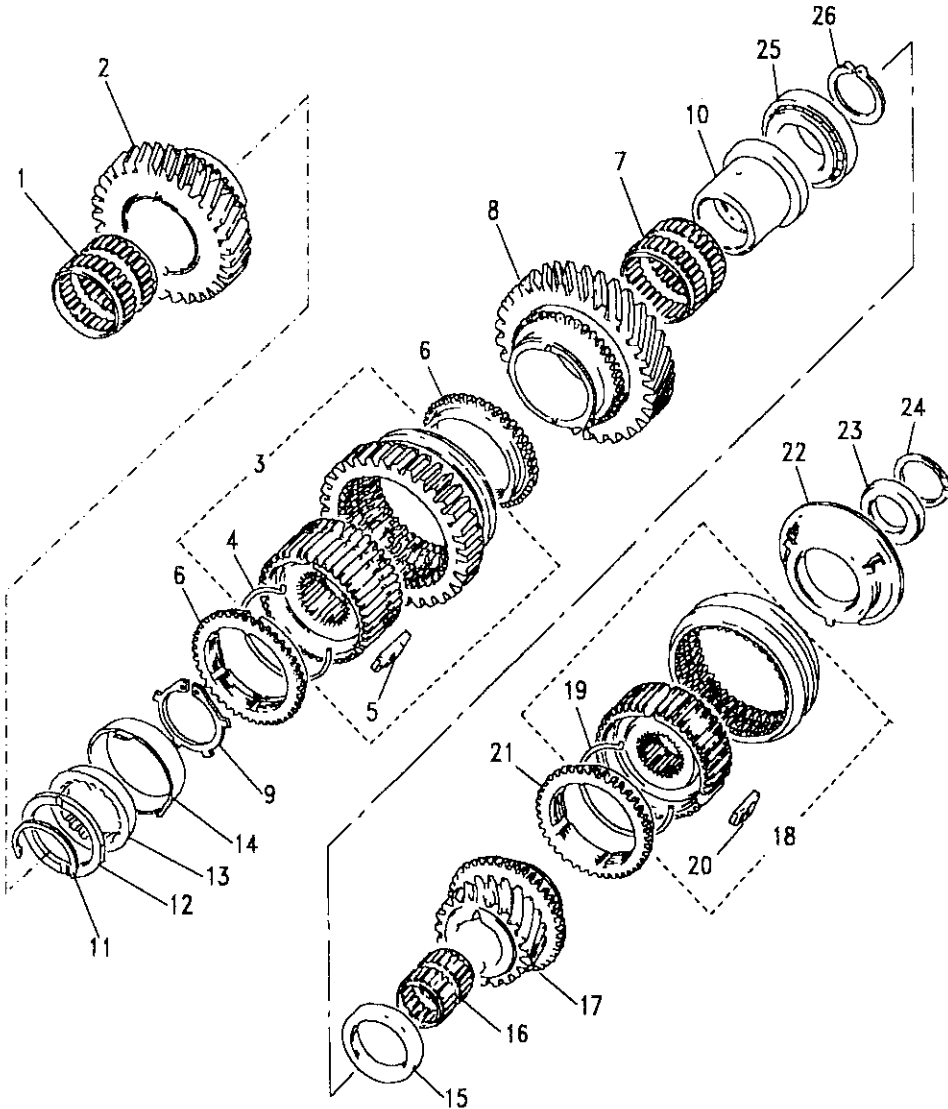
III. Part No.	Description	Qty	Remarks
8	FRC5253	1	Upto 50A/Suf F incl
	FTC2089	1	50A Suffix G
	FTC2090	1	56A Suffix G
	FTC1760	1	50A Suffix H
	FTC1989	1	)56A,60A,61A, )Suffix-H
	UKC37L	1	Spacer-synchro hub/pilot
9	FTC2084	2	Circlip-1st & 2nd hub
	FTC4009	2	Circlip
10			BUSH-1ST SPEED
	FRC5243	A/R	) Bush-1st speed
	FRC5244	A/R	)50A,56A,
	FRC5245	A/R	)Upto Suf G
	FRC5246	A/R	)inclusive
	FRC5247	A/R	)
10			BUSH-1ST SPEED
	FTC2005	1	) Bush 1st speed
	FTC2006	1	)50A,56A,60A,
	FTC2007	1	)61A/Suf-H
	FTC2008	1	) Bush 1st speed
	FTC2009	1	) Bush 1st speed
11	FTC1752	2	) Circlip-mainshaft
12	FTC1301	2	)50A,56A,60A,
13	FTC2283	2	)61A/Suf-H
14	FTC2284	2	) Ring dual line synchro
13	FTC4008	2	) Cone synchro inner
14	FTC4010	2	) Note(1) Ring dual line synchro

Note(1) From gearbox 0242820H

**Model** DEFENDER 110 1987 onwards  
**Page** AFCDIC2A

**GEARBOX - MAINSHAFT GEARS - LT77/LT77S**

III. Part No.	Description	Qty	Remarks
<b>5th gear</b>			
15 FRC4321	Collar 5th gear	1	Upto Suf F incl
FTC916	Collar 5th gear	1	From Suf G
16 FRC5280	Needle bearing	1	
17 RKC5098L	Gear 5th speed	1	Upto 50A/Suf F
FTC1791	Gear 5th speed	1	)50A,56A,60A, )61A/Suf-G&H
18 FRC9389	Synchro assembly	1	Upto 50A/Suf F
FTC1455	Synchro assembly	1	)50A,56A,60A, )61A/Suf-G&H
19 UKC31L	Spring	2	
20 UKC3530L	Plate shifting	3	
21 FRC8232	Baulk ring	1	
22 FRC5235	Plate support	1	

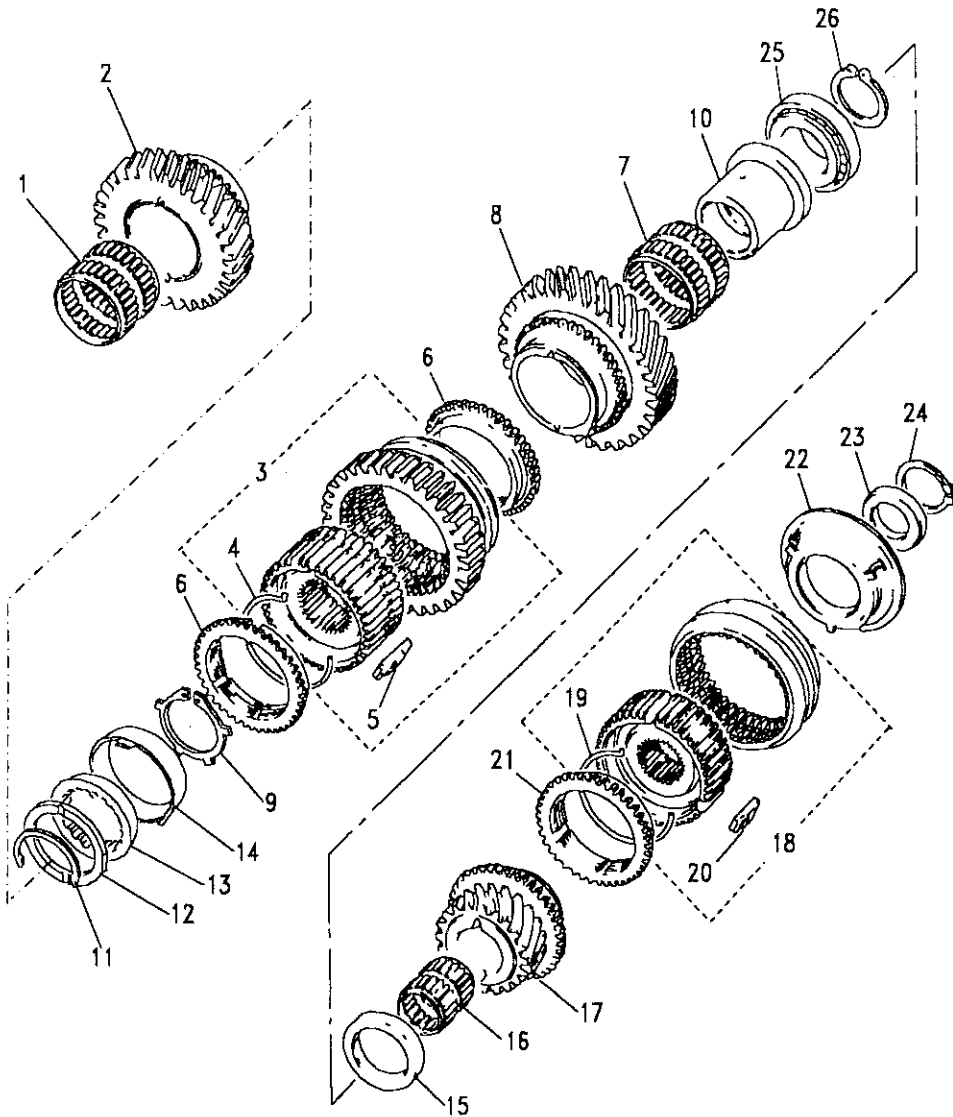




Model DEFENDER 110 1987 onwards  
Page AFCDIC2A

GEARBOX - MAINSHAFT GEARS - LT77/LT77S

III. Part No.	Description	Qty	Remarks
23	WASHER SUPPORT PLATE		
FRC5284	5.10mm	A/R	
FRC5286	5.16mm	A/R	
FRC5288	5.22mm	A/R	
FRC5290	5.28mm	A/R	
FRC5292	5.34mm	A/R	
FRC5294	5.40mm	A/R	
FRC5296	5.46mm	A/R	
FRC5298	5.52mm	A/R	
FRC5300	5.58mm	A/R	
FRC5302	5.64mm	A/R	
24	FRC9526	1	Circlip-Mainshaft
25	RTC2914	1	Bearing
26	FRC9812	1	Circlip





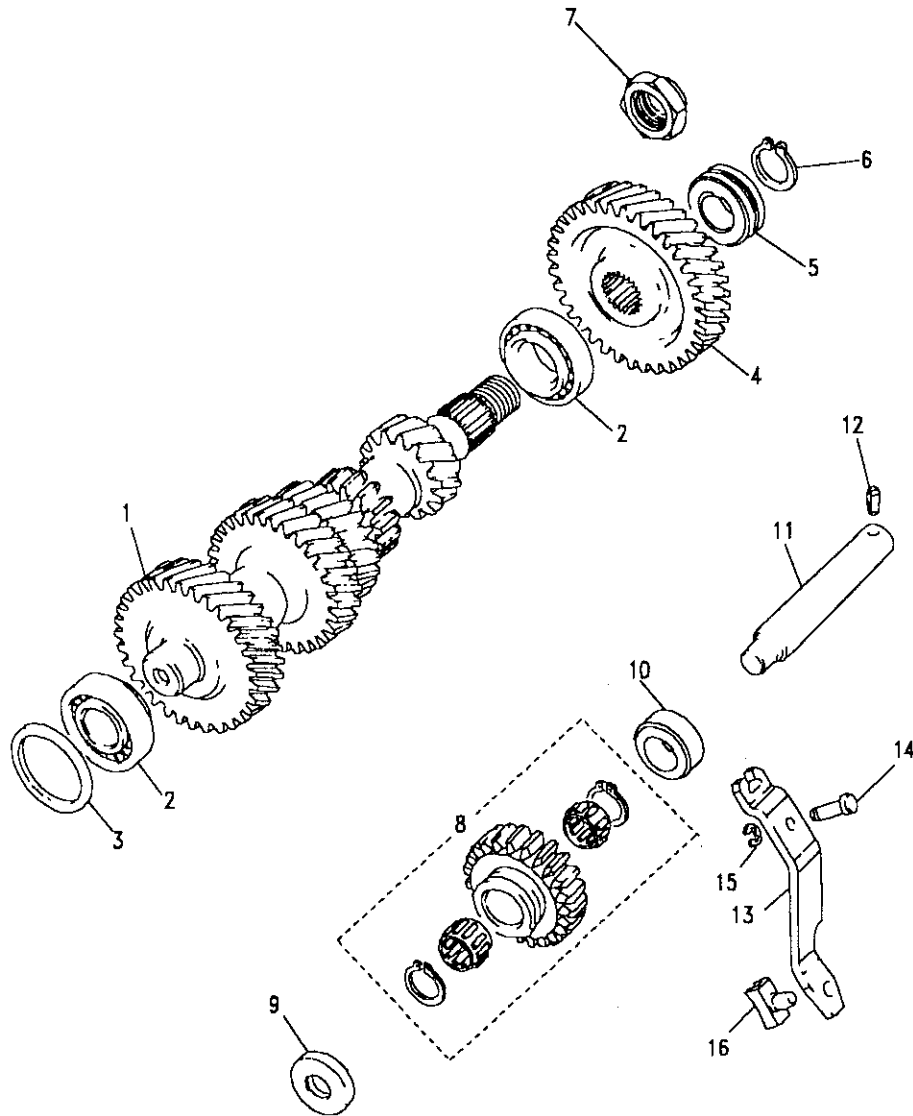
DEFENDER 110 1987 onwards

317

GEARBOX

**Model** DEFENDER 110 1987 onwards  
**Page** AFCDIE1A

**GEARBOX - LAYSHAFT - LT77 - UPTO SUFFIX E INCLUSIVE**



III. Part No.	Description	Qty	Remarks
1	FRC8141 Layshaft	1	
2	ULC1796L Bearing layshaft	2	
3	SELECTIVE WASHERS		
	TKC4633		1.69mm A/R
	TKC4635L		1.75mm A/R
	TKC4637		1.81mm A/R
	TKC4639		1.87mm A/R
	TKC4641		1.93mm A/R
	TKC4643L		1.99mm A/R
	TKC4645		2.05mm A/R
	TKC4647L		2.11mm A/R
	TKC4649		2.17mm A/R
	TKC4651L		2.23mm A/R
	TKC4653L		2.29mm A/R
	TKC4655L		2.35mm A/R
	TKC4657L		2.41mm A/R
	TKC4659L		2.47mm A/R
	TKC4661L		2.53mm A/R
	TKC4663L		2.59mm A/R

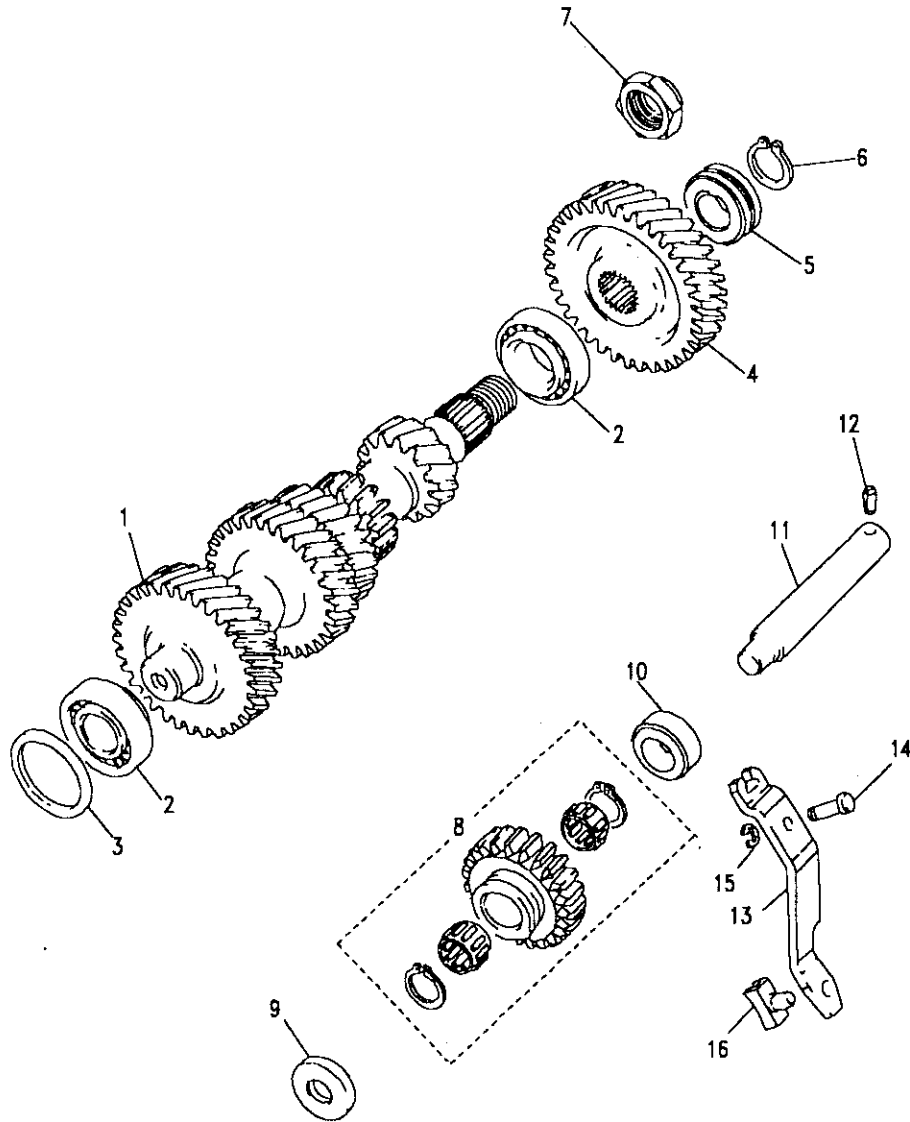




**Model** DEFENDER 110 1987 onwards  
**Page** AFCDIE1A

**GEARBOX - LAYSHAFT - LT77 - UPTO SUFFIX E INCLUSIVE**

Ill. Part No.	Description	Qty	Remarks
4	FRC5162	1	Gear 5th speed layshaft
5	UKC1689L	1	Washer-5th speed layshaft
6	UKC1690L	1	Circlip-gear/layshaft
7	FRC7214	1	Nut
8	FRC8285	1	Gear assembly reverse
9	FRC4947	1	Spacer
10	FRC5186	1	Spacer
11	FRC5095	1	Shaft reverse gear
12	UKC18L	1	Roll pin
13	FRC8246	1	Lever-reverse operating
14	FRC8382	1	Pivot-reverse lever
15	13H2023L	1	Circlip
16	FRC8384	1	Slipper pad-reverse gear

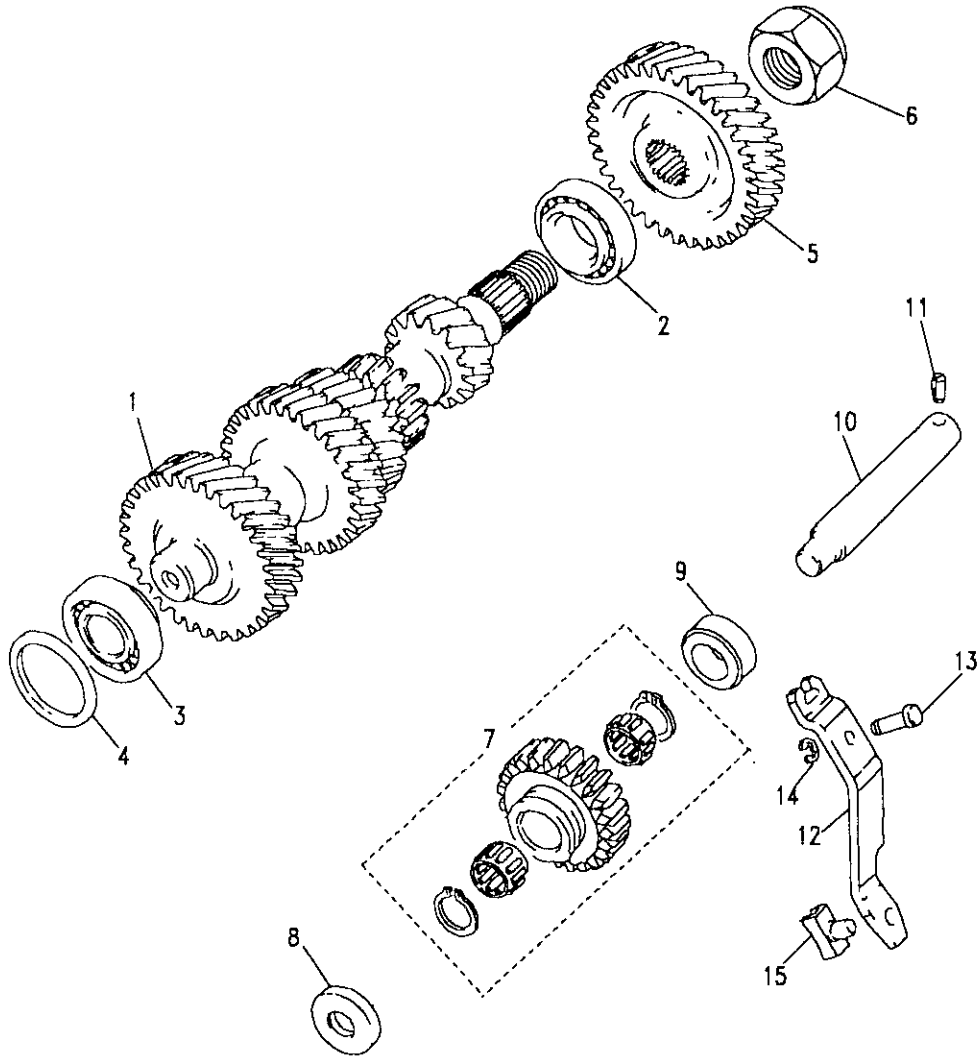


**Model** DEFENDER 110 1987 onwards  
**Page** AFCDIE2A

**GEARBOX - LAYSHAFT - LT77/LT77S FROM SUFFIX F**

III. Part No.	Description	Qty	Remarks
1	FRC9761	1	Note(1)
	FTC1416	1	Note(2)
	FTC1074	1	Note(3)
2	FTC317	1	Bearing-layshaft rear
3	FTC248	1	Bearing-layshaft front
4			SELECTIVE WASHERS
	FTC263	1	1.39mm
	FTC265	1	1.45mm
	FTC267	1	1.51mm
	FTC269	1	1.57mm
	FTC271	1	1.63mm
	FTC273	1	1.69mm
	FTC275	1	1.75mm
	FTC277	1	1.81mm
	FTC279	1	1.87mm
	FTC281	1	1.93mm
	FTC283	1	1.99mm
	FTC285	1	2.05mm
	FTC287	1	2.11mm
	FTC289	1	2.17mm
	FTC291	1	2.23mm
	FTC293	1	2.29mm
	FTC295	1	2.35mm

Note(1) For gearbox Serial Number 50A up to Suffix G  
 Note(2) For gearbox Serial Number 50A Suffix G&H  
 Note(3) For gearbox Serial Number 56A,60A,61A





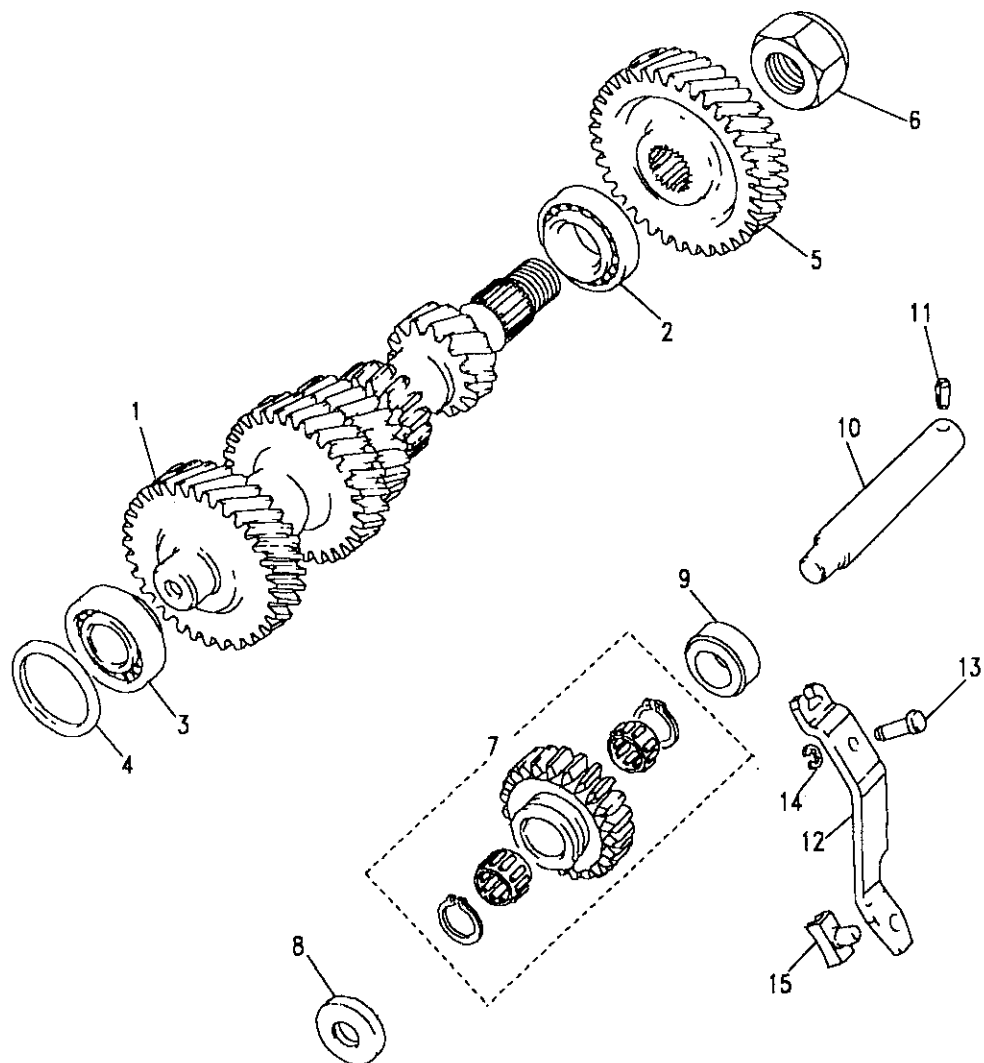


**Model** DEFENDER 110 1987 onwards  
**Page** AFCDIE2A

**GEARBOX - LAYSHAFT - LT77/LT77S FROM SUFFIX F**

III. Part No.	Description	Qty	Remarks
5	FRC9758	1	Note(1)
	FTC419	1	Note(2)
6	FRC7214	1	
7	FRC8285	1	
8	FRC4947	1	
9	FRC5186	1	
10	FRC5095	1	
11	UKC18L	1	
12	FRC8246	1	
13	FRC8382	1	
14	13H2023L	1	
15	FTC1435	1	

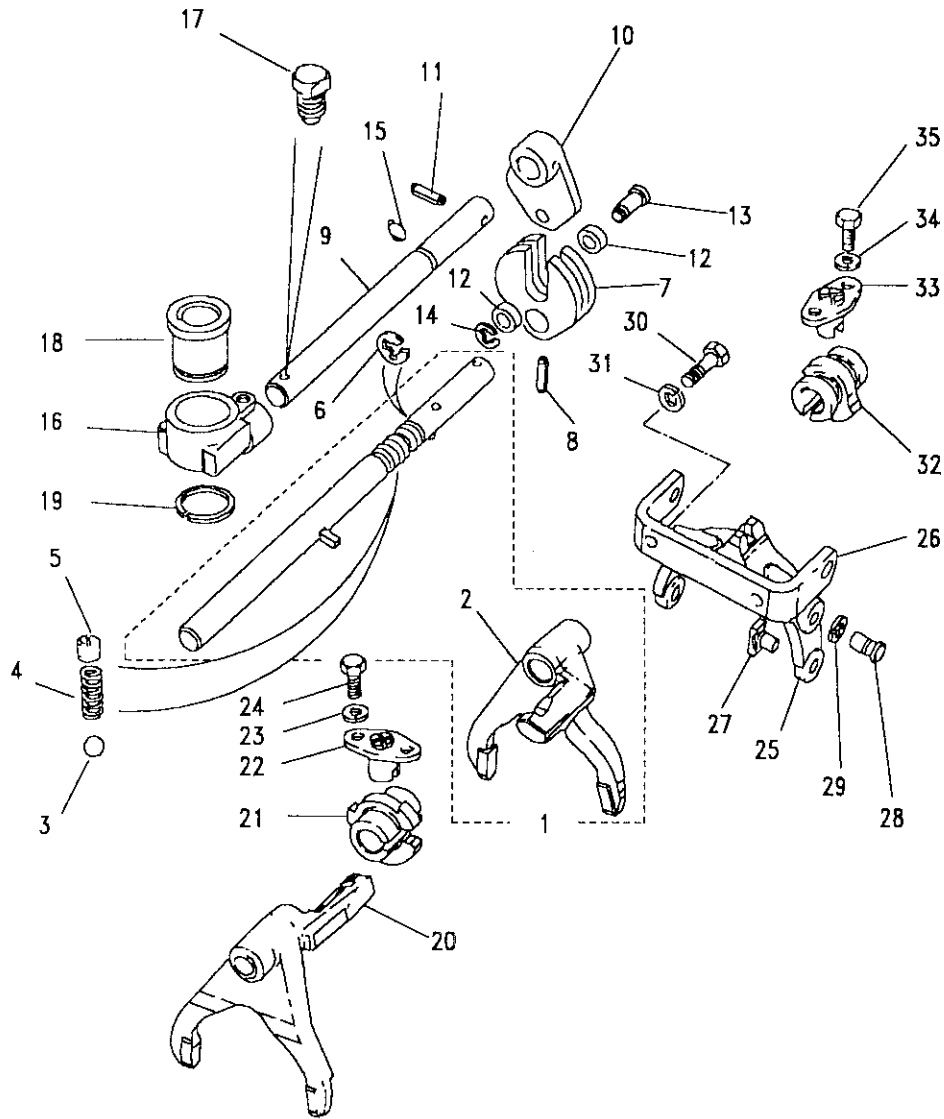
Note(1) For gearbox Serial Number 50A up to Suffix G  
 Note(2) For gearbox Serial Number 50A Suffix G&H and 56A,60A,61A



Model DEFENDER 110 1987 onwards  
 Page AFCDKA1A

GEARBOX - SELECTORS AND SHAFTS - LT77/LT77S

III. Part No.	Description	Qty	Remarks
1	FTC1814	1	)Note(1)
2	FTC1490	1	)
1	FTC1765	1	)Note(2)
2	FTC2450	1	)
3	BLS112L	1	)Note(3)
4	FRC7195	1	)
5	UKC75L	1	)
3	BLS112L	1	)Note(4)
4	FTC3382	1	)
5	FTC2193	1	)
6	UKC73L	1	)
7	FRC7330	1	)
8	FRC7332	1	)
9	FRC7334	1	)
10	FRC7333	1	)
11	FRC7335	1	)
12	FRC4435	1	)
13	FRC4434	1	)
14	CR120105L	1	)
15	FRC4951	1	)
16	FRC5864	1	)
17	FTC4536	1	)
18	FRC5859	1	)
19	CR120335L	1	)

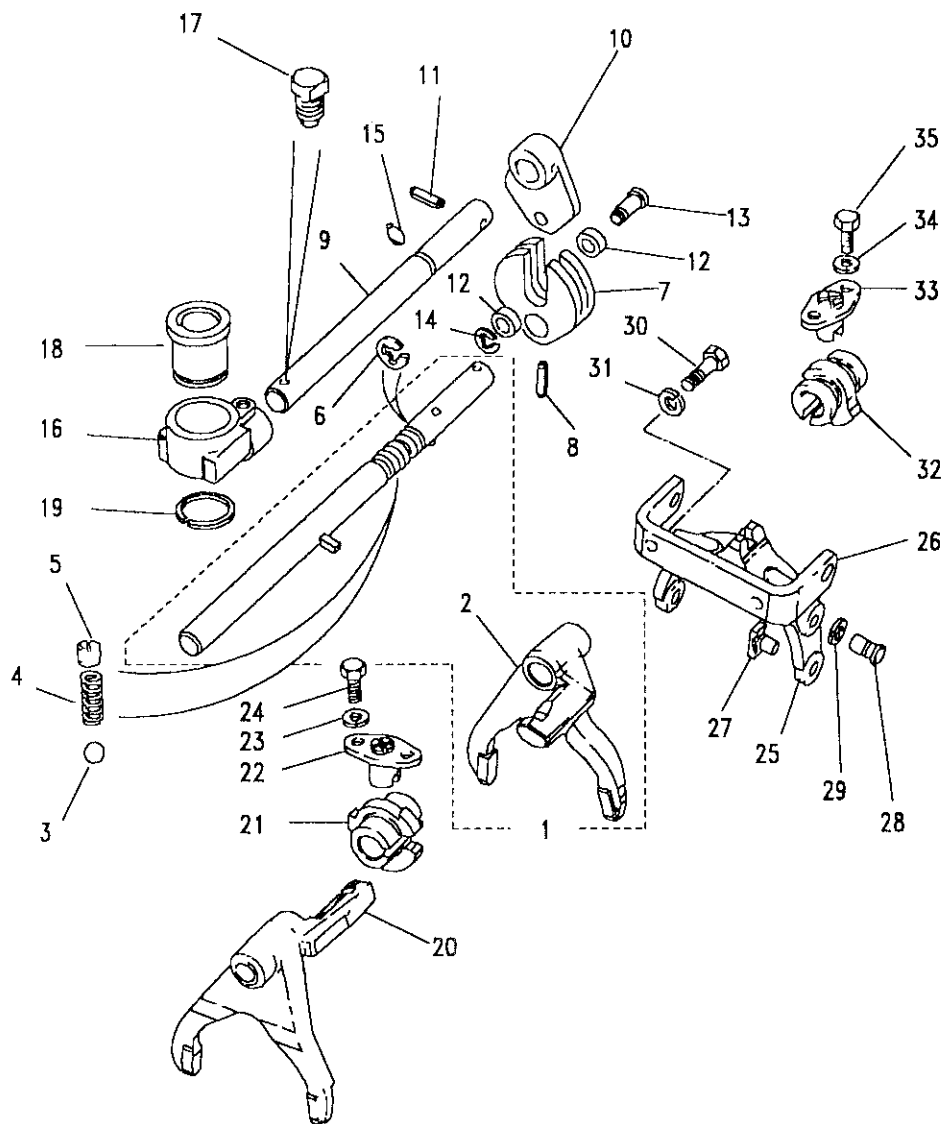




Model DEFENDER 110 1987 onwards

Page AFCDKA1A

## GEARBOX - SELECTORS AND SHAFTS - LT77/LT77S - CONTINUED



III. Part No.	Description	Qty	Remarks
20	FTC1489	1	Fork-selector-3rd/4th
21	TKC290L	1	Spool-i/lock 1/2/3/4/
	FRC8239	1	Spool-interlock-retainer
	FRC8170	1	O ring-interlock retainer
	FS106167L	2	Screw
22	UKC3660L	1	Plate assembly
	FRC8239	1	Plate assembly
	FRC8170	1	O ring
23	WL106001L	2	Washer spring
24	FS106167	2	Screw
25	TKC2596	1	Selector fork-5th gear
26	UKC3115	1	Bracket support
27	532943	2	Pad-selector
28	UKC2089L	2	Pin-pivot 5th gear fork
29	UKC2105L	2	Circlip
30	SH108251L	2	Screw
31	WL108001L	2	Washer spring
	WA108051L	2	Washer plain
32	FRC7192	1	Spool-interlock-5th gear
33	FRC4905	1	Plate assembly
	FRC8240	1	Plate assembly
34	WL106001L	2	Washer
	WA106001L	2	Washer
35	FS106167	2	Screw
	FS106207	2	Screw m6 x 20

- Note(1) For gearbox Serial Number 50A up to Suffix H  
 Note(2) For gearbox Serial Number 50A Suffix H and 56A,60A,61A  
 Note(3) For gearbox Serial Number 50A up to Suffix H  
 Note(4) For gearbox Serial Number 50A Suffix H and 56A,60A,61A





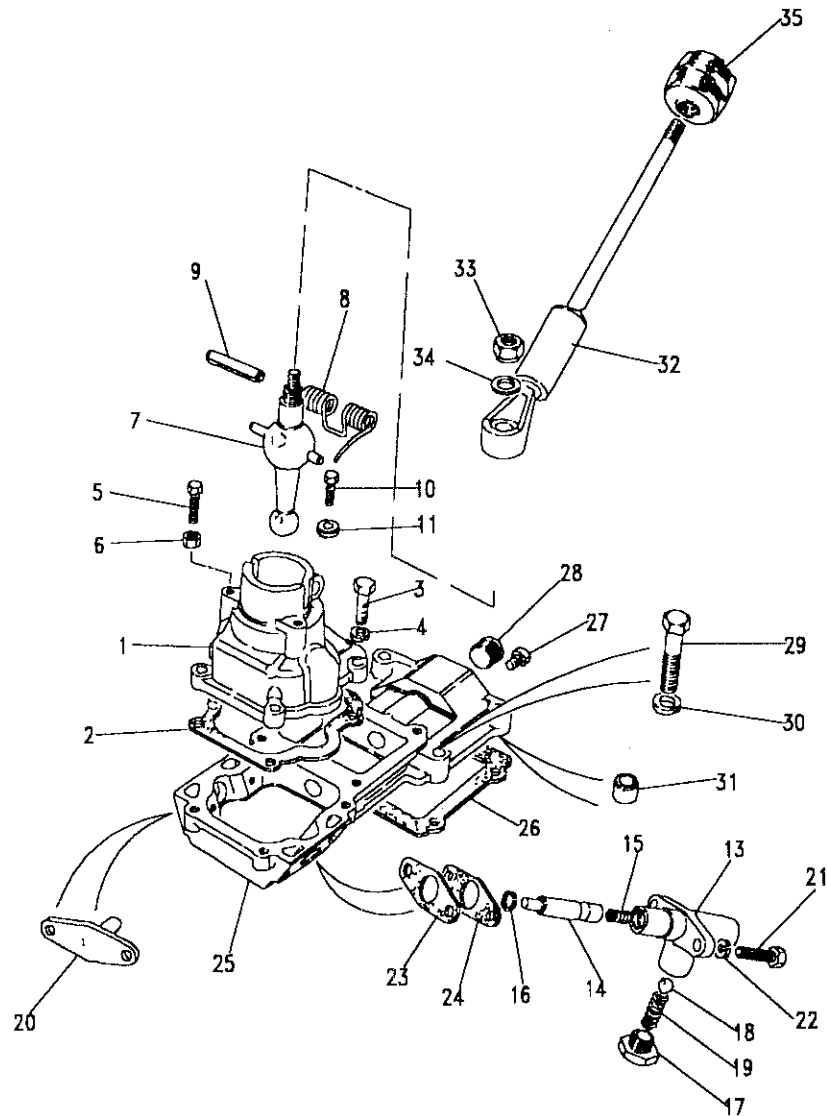
DEFENDER 110 1987 onwards

323

GEARBOX

Model DEFENDER 110 1987 onwards  
Page AFCDKC1A

GEARBOX - GEAR LEVER - LT77/LT77S

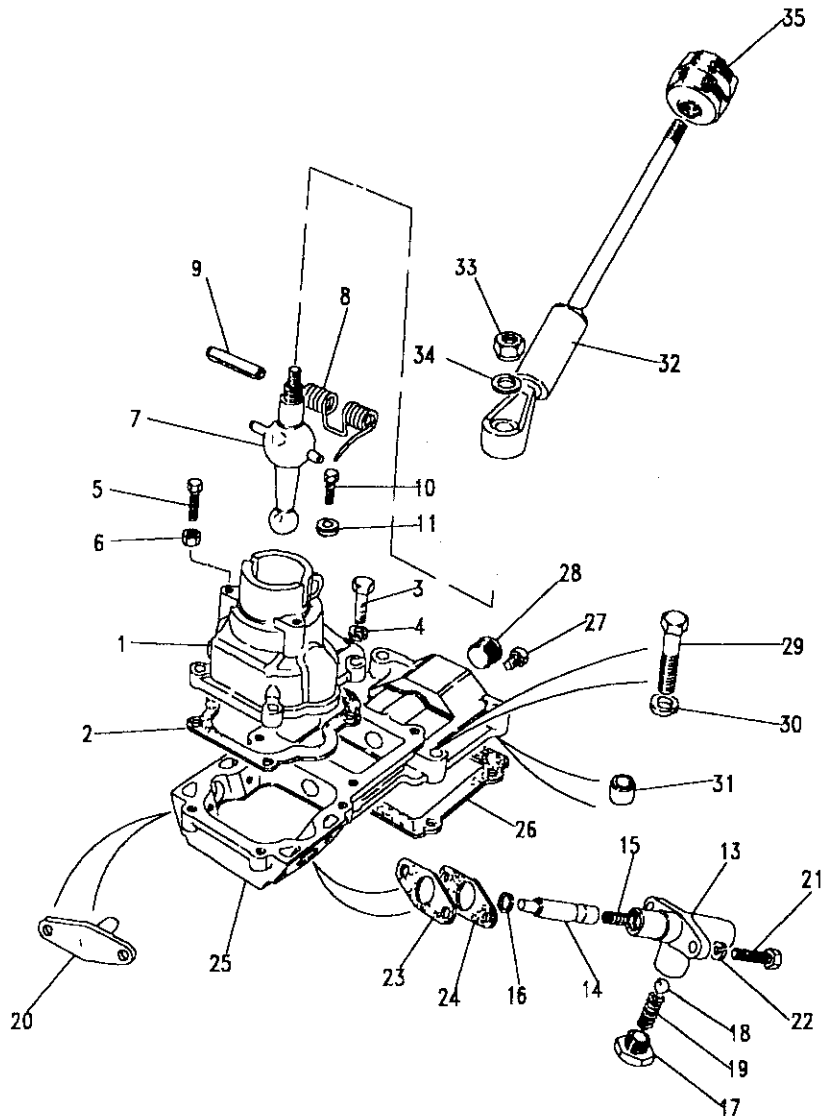


III. Part No.	Description	Qty	Remarks
1	FRC7155 Housing-gear lever	1	
2	FTC4510 Washer joint-housing	1	
3	FS108301L Bolt	4	
4	WL108001L Washer spring	4	
5	FS106201L Flange screw	2	
6	NH106041L Nut	2	
7	FRC8724 Gear lever lower	1	
	UKC3092 Pin-gear lever	2	
	22G1988L Plunger-lower gear lever	1	
	22G1989L Spring-lower gear lever	1	
8	FRC7414 Spring	1	
9	PA120801L Spring pin	1	
10	FS106161L Screw set	1	
11	FRC7886 Plate clamping	1	
12	FRC7160 Grommet	1	
13	AFU4173 Tie-securing grommet	1	
14	FRC6316 Housing-plunger unit	1	
15	FRC8119 Plunger reverse	1	
16	FRC6318 Spring plunger return	1	
17	FRC5596 Clip spring	1	
18	FRC8773 Locknut	1	
19	FRC8120 Plug	1	
20	571146 Ball detent	1	
21	571439 Spring detent	1	



**Model** DEFENDER 110 1987 onwards  
**Page** AFCDKC1A

**GEARBOX - GEAR LEVER - LT77/LT77S - CONTINUED**



III. Part No.	Description	Qty	Remarks
20	FRC7313	1	Stop 5th gear assembly
21	SH108251L	4	Screw
22	WL108001L	4	Washer spring
23	FRC6317	A/R	Spacer-plunger housing
24	FRC7362	A/R	Spacer-plunger housing
25	FTC503	1	Housing gear change
	597586	1	Cup plug
	GS110501	1	Screw grub 5th speed
	FN110041L	1	Nut flanged
26	FRC4489	1	Washer joint
27	SH506031	1	Screw-blanking
28	608246	1	Plug-screw in type
29	FB108081L	3	Bolt flanged
	FB108111L	1	Bolt flanged
30	WL108001L	4	Washer-spring
31	FRC2626	2	Spring Pin
32	FRC7860	1	Gear lever RH steering
	FRC7493	1	Gear lever LH steering
33	NY110041L	1	Nut-gear lever assembly
34	WA110061L	1	Washer
35	FRC8722	1	Knob-gear lever

Note(1) When ordering FTC503 you will also require GS110501 and FN110041 these will replace FRC7313, the screw in plug 608246 is also replaced by cup plug 597586 which comes with FTC503.



DEFENDER 110 1987 onwards

325

GEARBOX

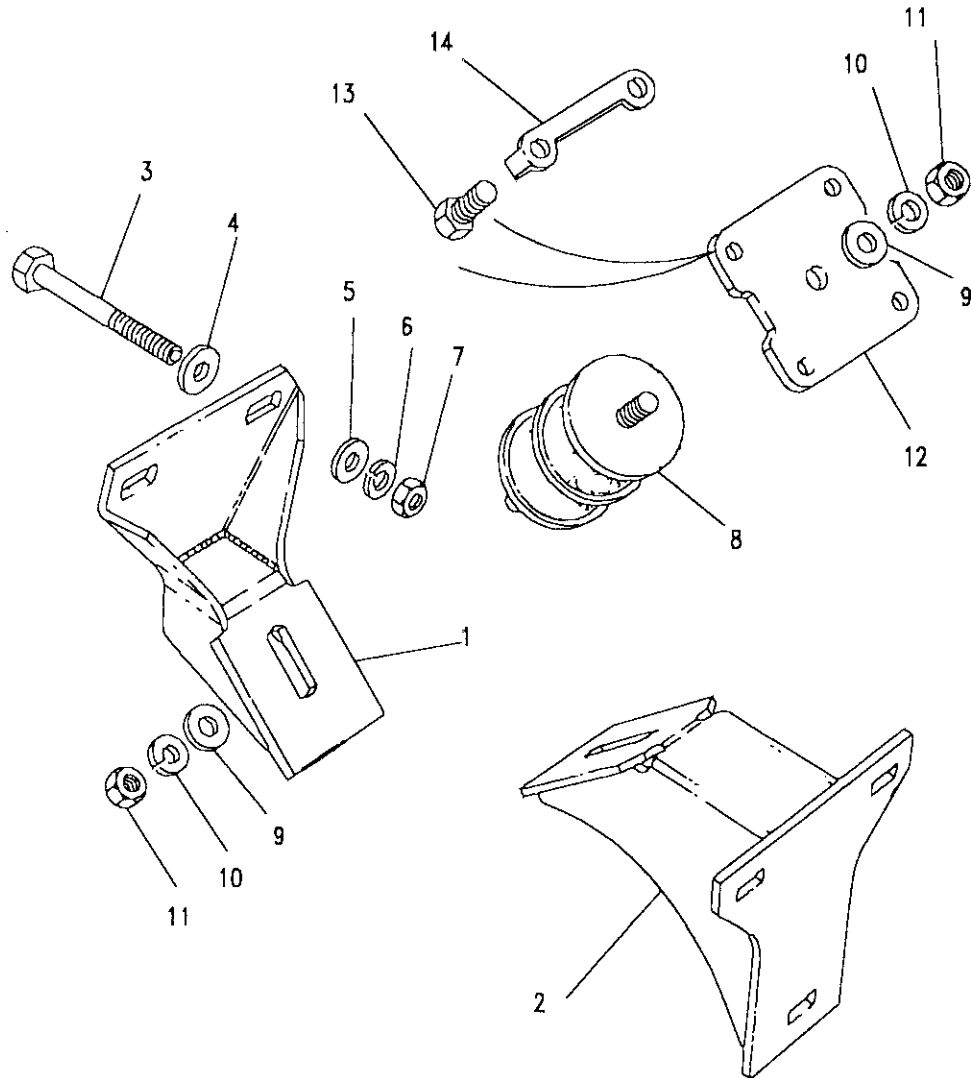
**Model** DEFENDER 110 1987 onwards  
**Page** AFCDMA1A

**GEARBOX - MOUNTINGS - LT77/LT77S**

Ill. Part No.	Description	Qty	Remarks
1	NRC5742	1	Bracket mounting-RH
2	NRC5743	1	Bracket mounting-LH
3	BH108201L	6	Bolt
4	WP185L	6	Washer
5	WA108051L	6	Washer plain
6	WL108001L	6	Washer spring
7	NH108041L	6	Nut
8	NRC9560	2	Rubber mounting
9	WA110061L	4	Washer plain
10	WL110001L	4	Washer spring
11	NH110041L	4	Nut
12	NRC8204	2	Plate mounting
13	SH112201	8	Screw
14	NRC9561	4	Washer tab

**Gearbox - Mountings - V8 with LT77S Gearbox**

NTC9224	Bracket mounting-LH	1
SH112251L	Screw	4
WL112201L	Washer	4
NTC1201	Bracket mounting RR-RH	1
90575585	Bracket mounting RR-LH	1
NTC5900	Mounting circular	2
WA110061L	Washer	2
NY110041L	Nut	4
NRC8204	Plate mounting	1
SH112251L	Screw	4
WL112001L	Washer	4

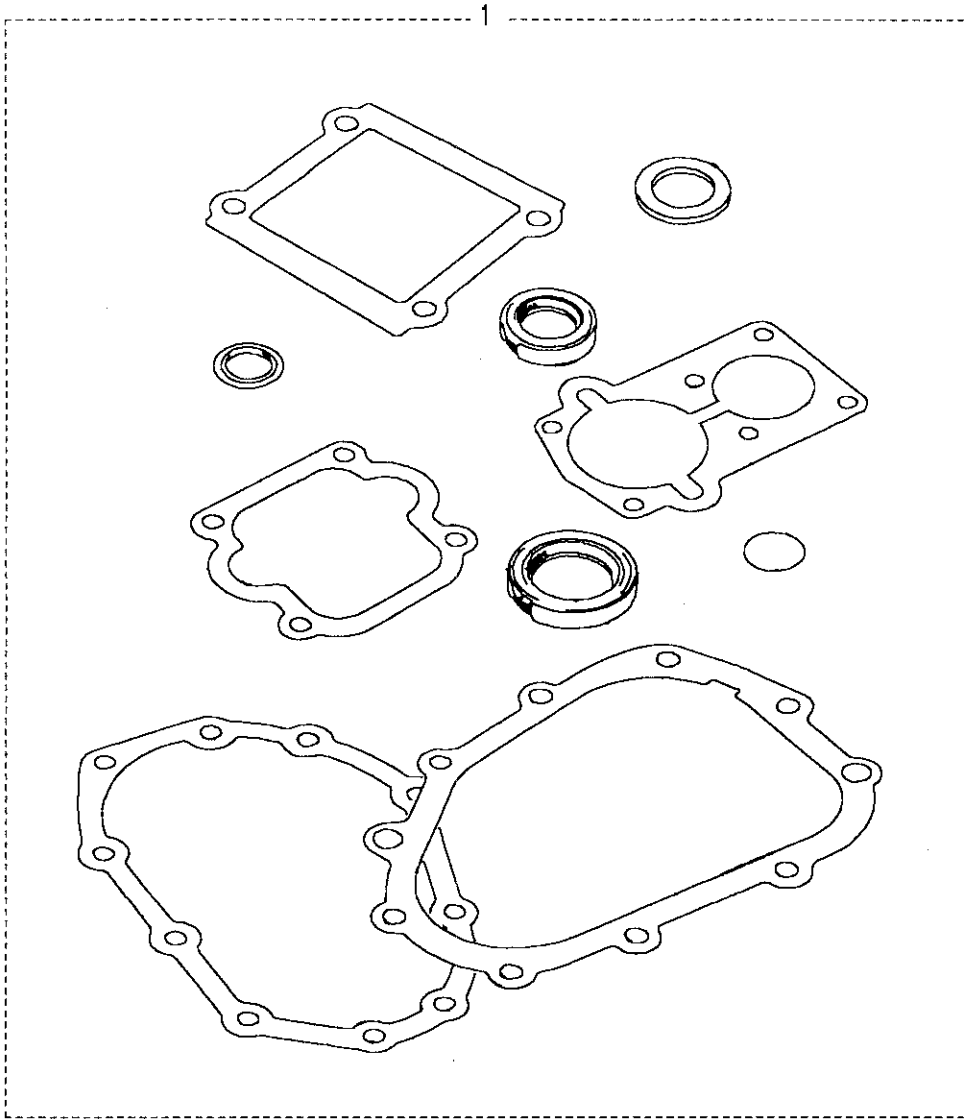




Model DEFENDER 110 1987 onwards  
Page AFCDMC1A

## GEARBOX - GASKET KIT - LT77

III. Part No.	Description	Qty	Remarks
1 RTC6797	Kit-gasket and seal	1	
FTC4112	Washer copper	1	
TKC1229	Gasket-g/case to c/plate	1	
TKC1235	Gasket-c/plate to extrn	1	
FRC4810	Washer joint-plug	1	
FRC2365	Seal oil-extension case	1	
FRC4501	'O'ring	1	
UKC1060	Seal oil-front cover	1	
FRC4873	Gasket-f/cover to g/case	1	Upto Suffix D
FTC316	Gasket-f/cover to g/case	1	From Suffix E
FTC4510	Washer joint	1	
FRC4489	Washer joint	1	





## MASTER INDEX

	PAGES	GROUP C
INTRODUCTION PAGES	1 - 7	
ALPHABETICAL INDEX	8 - 16	GEARBOX
ENGINE	17 - 66	
ENGINE	67 - 119	
ENGINE	120 - 166	
ENGINE	167 - 209	
ENGINE	210 - 245	
ENGINE	246 - 299	
GEARBOX	300 - 326	
GEARBOX	327 - 344	
GEARBOX	345 - 359	
TRANSFER BOX	360 - 378	
TRANSFER BOX	379 - 397	
AXLES AND SUSPENSION	398 - 444	
STEERING	445 - 471	
VEHICLE AND ENGINE CONTROLS	472 - 486	
BRAKES	487 - 517	
FUEL SYSTEM AND AIR CLEANER	518 - 579	
EXHAUST SYSTEM	580 - 593	
COOLING/HEATING	594 - 637	
COOLING/HEATING	638 - 641	
COOLING/HEATING	642 - 649	
COOLING/HEATING	650 - 655	
COOLING/HEATING	656 - 666	
BODY ELECTRICAL	667 - 740	
BODY AND CHASSIS	741 - 909	
INTERIOR TRIM	910 - 955	
SEATS	956 - 1036	
STOWAGE	1037 - 1046	
ACCESSORIES - PAINTS	1047 - 1074	
NUMERICAL INDEX	1076 - 1151	
		GEARBOX
		5 SPEED - MANUAL
		CLUTCH RELEASE MECHANISM - 4CYL PETROL R380
		CLUTCH RELEASE MECHANISM - TDI
		CLUTCH RELEASE MECHANISM - V8
		GEARCASE - MANUAL R380
		BELL HOUSING - MANUAL R380
		GEARCASE - MANUAL V8 R380
		EXTENSION CASE - MANUAL R380
		MAINSHAFT - MANUAL R380
		MAINSHAFT GEARS - MANUAL R380
		LAYSHAFT - MANUAL R380
		SELECTORS AND SHAFTS - MANUAL R380
		GEAR LEVER - MANUAL R380





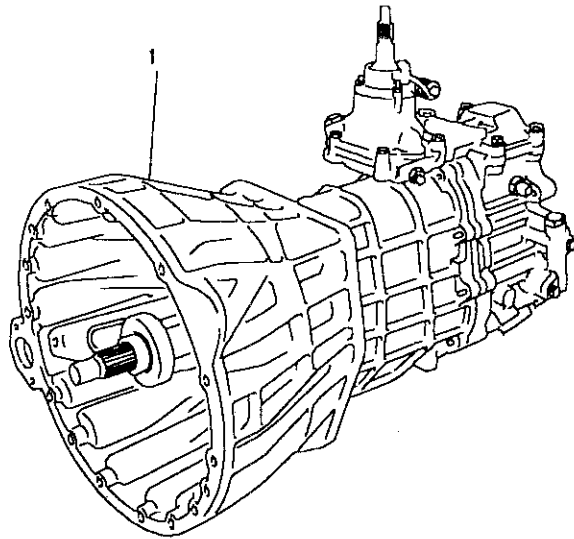


**Model** DEFENDER 110 1987 onwards  
**Page** AFCFAA1A

**GEARBOX - 5 SPEED - MANUAL**

III. Part No.	Description	Qty	Remarks
STC1546N	Gearbox assembly TDI	1	Note(1)
STC1547N	Gearbox assembly V8	1	Note(2)
STC1548N	Gearbox assy V8 Cooled	1	Note(3)
STC1549N	Gearbox assy 4 cyl P/D	1	Note(4)

Note(1) Prefix 56A, suffix J  
Note(2) Prefix 60A, suffix J  
Note(3) Prefix 61A, suffix J  
Note(4) Prefix 50A, suffix J





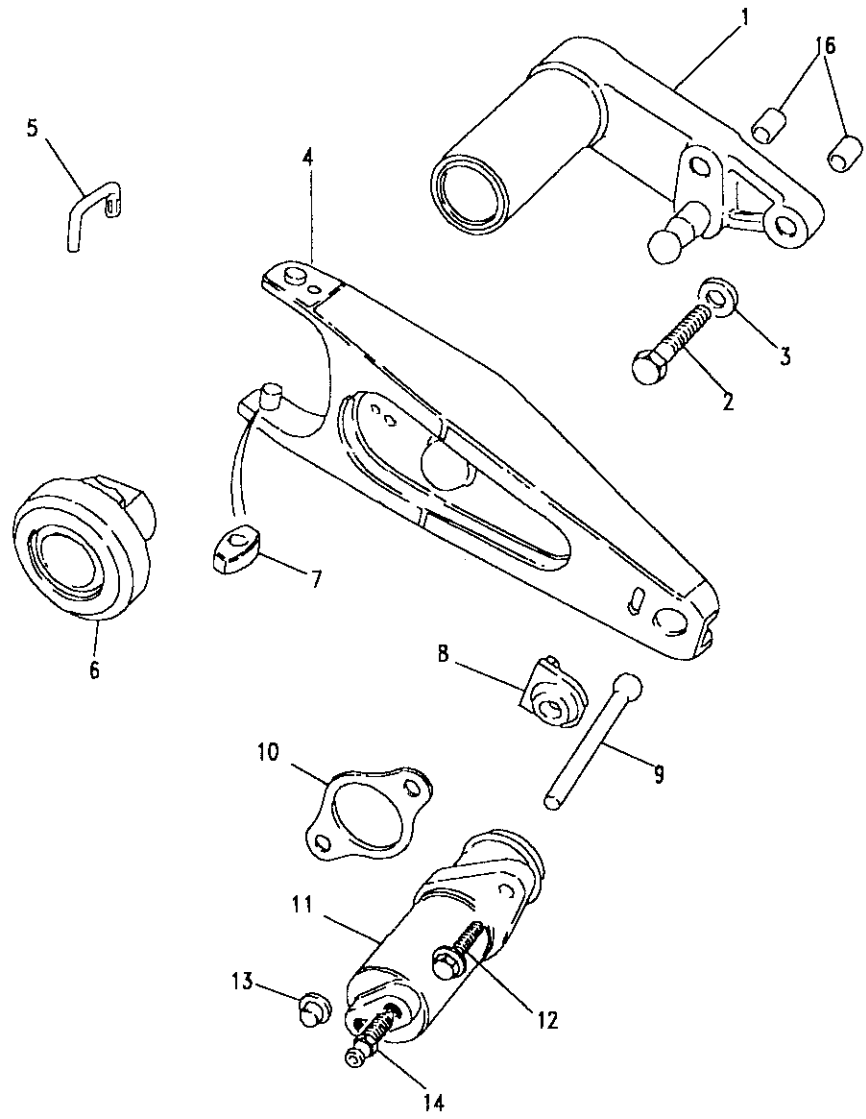
DEFENDER 110 1987 onwards

329

GEARBOX

**Model** DEFENDER 110 1987 onwards  
**Page** AFCFCA1A

**GEARBOX - CLUTCH RELEASE MECHANISM - 4CYL PETROL R380**



III. Part No.	Description	Qty	Remarks
1	FTC4177	1	Bearing clutch
2	FTC4173	1	Lever clutch release
3	FRC5255	2	Slipper pad clutch
4	FTC4174	1	Pivot plate
5	FB108061	2	Bolt
6	FRC3416	1	Staple
7	FRC8531	1	Slave cylinder clutch
8	FS108251	2	Flange screw
9	FTC4229	1	Push rod slave cylinder
10	FRC3327	1	Clip
11	NRC7441	1	Bracket jump hose

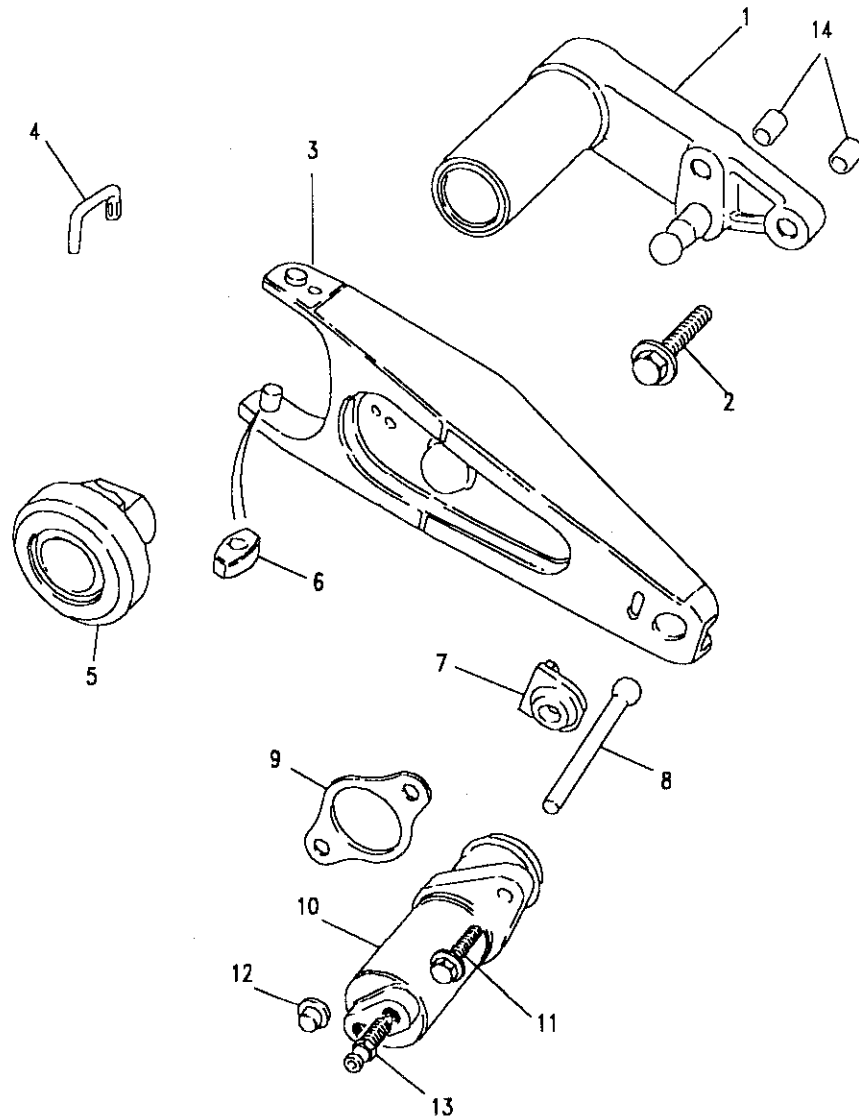




Model DEFENDER 110 1987 onwards  
Page AFCFCA2A

## GEARBOX - CLUTCH RELEASE MECHANISM - TDI

III. Part No.	Description	Qty	Remarks
1	FTC1271	1	Guide release bearing
2	FB108101	2	Flange bolt
3	FTC2957	1	Lever clutch release
4	FRC3416	1	Staple
5	FRC9568	1	Bearing clutch
6	FRC5255	2	Slipper pad clutch
7	FRC3327	1	Clip
8	FTC3912	1	Push rod clutch
9	FRC2402	1	Backing plate
10	FTC3911	1	Slave cylinder clutch
11	FB108161L	2	Flange bolt
12	594091	1	Dust cap
13	606733	1	Bleed screw
14	FRC2481	2	Dowel guide





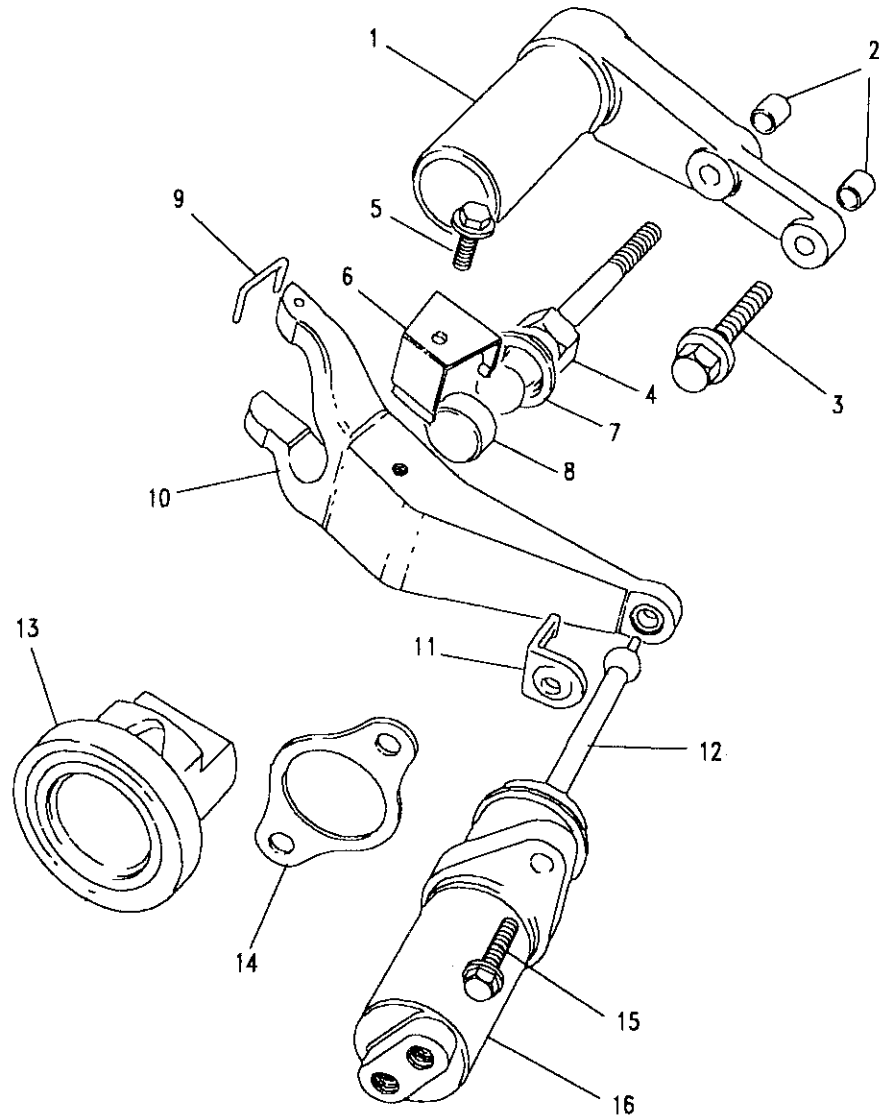
DEFENDER 110 1987 onwards

331

GEARBOX

**Model** DEFENDER 110 1987 onwards  
**Page** AFCFCA3A

**GEARBOX - CLUTCH RELEASE MECHANISM - V8**



III. Part No.	Description	Qty	Remarks
1	FRC4803	1	Guide release bearing
2	FRC2481	2	Dowel guide
3	FB108101	1	Flange bolt
4	FRC2528	1	Pivot clutch release
5	FS106101L	1	Flange screw
6	571163	1	Clip
7	FRC2975	1	Cap clutch release lever
8	571161	1	Insert
9	576203	1	Staple
10	576137	1	Lever clutch release
11	576723	1	Clip
12	571160	1	Push rod clutch
13	FRC9568	1	Bearing clutch
14	FRC2402	1	Backing plate
15	FS108251	2	Flange screw
16	UKC8677L	1	Slave cylinder clutch
	BHM7063L	1	Repair kit slave cylinder





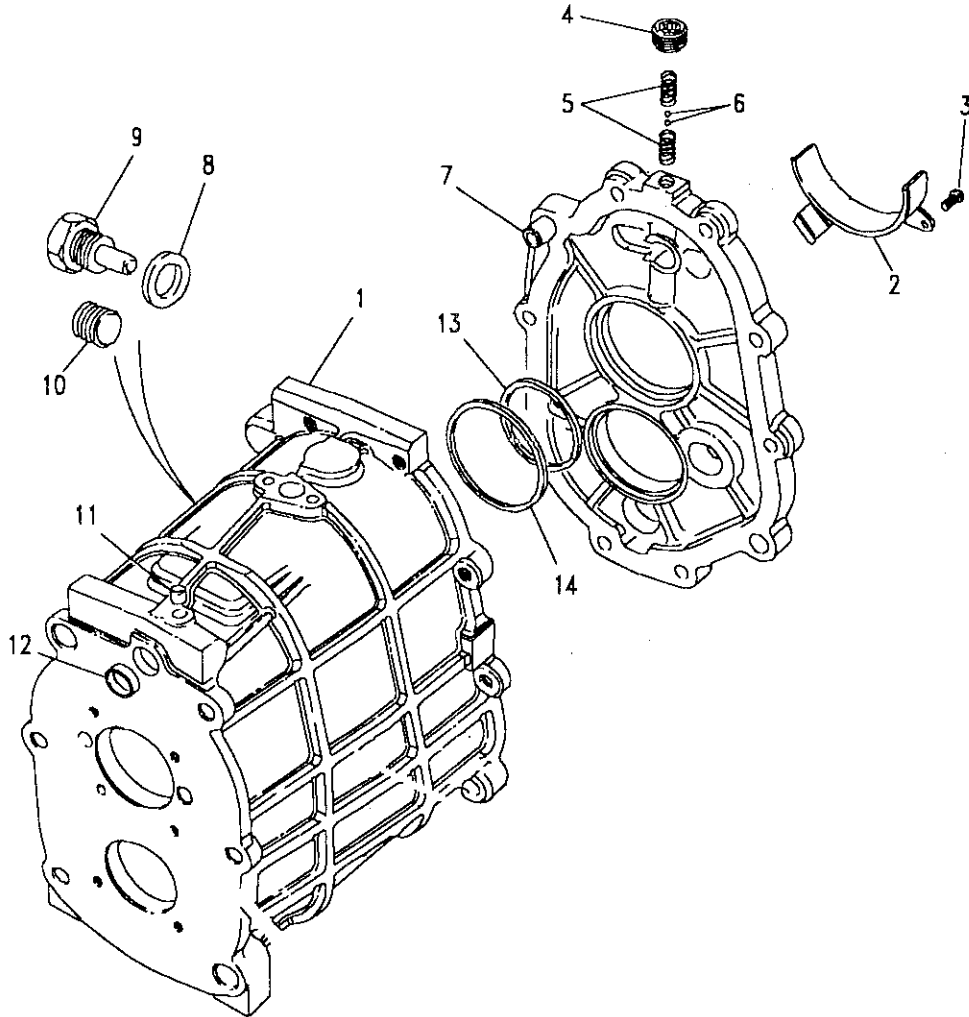
Model DEFENDER 110 1987 onwards  
Page AFCFEA1A

GEARBOX - GEARCASE - MANUAL R380

III. Part No.	Description	Qty	Remarks
1	FTC3848 Gearcase	1	
2	FTC4131 Baffle plate	1	
3	FS106161ML Screw flanged	2	
4	FTC4108 Plug screw	1	
5	FTC3382 Spring detent	2	
6	BLS112L Spring detent	2	
7	UKC170L Dowel	2	
8	FRC6145 Plug magnetic	1	
9	FTC4112 Washer copper	1	
10	FTC4056 Plug drain	1	
11	FRC9803 Core plug	1	
12	UKC30L Core plug	1	

Selective Spacer - Mainshaft in Centre Plate

13	FTC3739	1.740/1.715	A/R
	FTC3741	1.790/1.765	A/R
	FTC3743	1.840/1.815	A/R
	FTC3745	1.890/1.865	A/R
	FTC3747	1.940/1.915	A/R
	FTC3749	1.990/1.965	A/R
	FTC3751	2.040/2.015	A/R
	FTC3753	2.090/2.065	A/R
	FTC3755	2.140/2.115	A/R
	FTC3757	2.190/2.165	A/R
	FTC3759	2.240/2.215	A/R
	FTC3761	2.290/2.265	A/R





DEFENDER 110 1987 onwards

333

GEARBOX

Model DEFENDER 110 1987 onwards

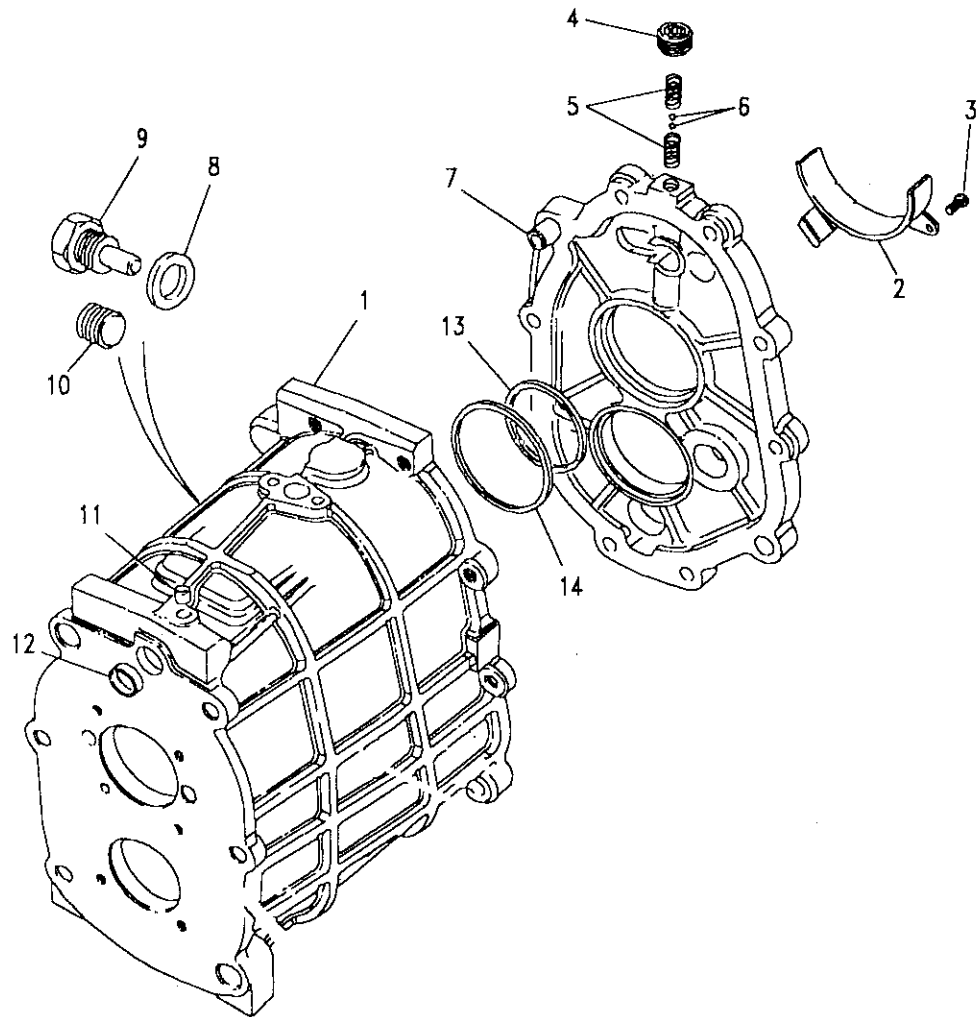
Page AFCFEA1A

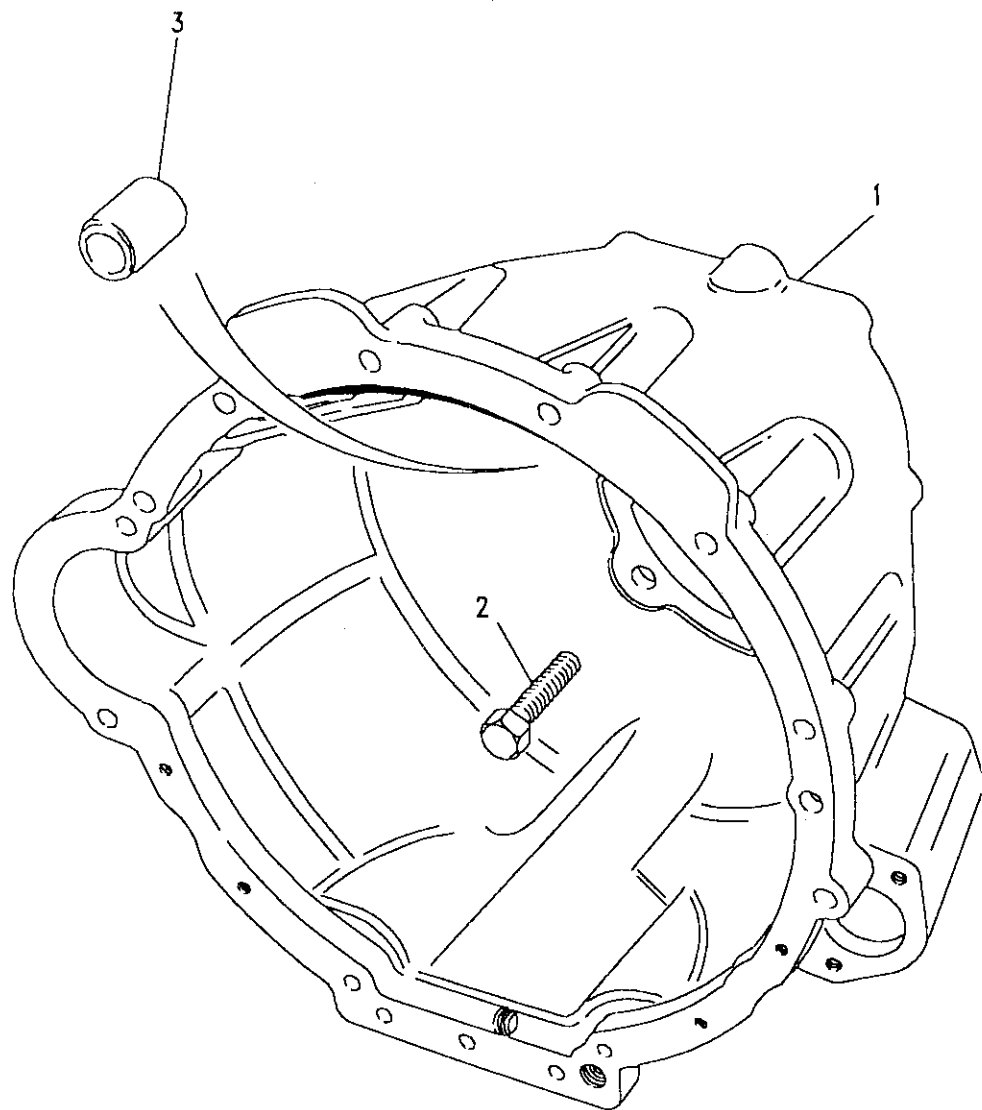
**GEARBOX - GEARCASE - MANUAL R380**

III. Part No.	Description	Qty	Remarks
FTC3763	2.340/2.315	A/R	
FTC3765	2.390/2.365	A/R	
FTC3767	2.440/2.415	A/R	
FTC3769	2.490/2.465	A/R	
FTC3771	2.540/2.515	A/R	
FTC3773	2.590/2.565	A/R	
FTC3775	2.640/2.615	A/R	
FTC3777	2.690/2.665	A/R	
FTC3779	2.740/2.715	A/R	
FTC3781	2.790/2.765	A/R	
FTC3783	2.840/2.815	A/R	
FTC3785	2.890/2.865	A/R	
FTC3787	2.940/2.915	A/R	

**Selective Spacer - Layshaft in Centre Plate**

14	FTC4296	1.477/1.452	A/R
	FTC4298	1.527/1.502	A/R
	FTC4300	1.577/1.552	A/R
	FTC4302	1.627/1.602	A/R
	FTC4304	1.677/1.652	A/R
	FTC4306	1.727/1.702	A/R
	FTC4308	1.777/1.752	A/R
	FTC4310	1.827/1.802	A/R
	FTC4312	1.877/1.852	A/R
	FTC4314	1.927/1.902	A/R
	FTC4316	1.977/1.952	A/R
	FTC4318	2.027/2.002	A/R
	FTC4320	2.077/2.052	A/R
	FTC4322	2.127/2.102	A/R
	FTC4324	2.177/2.152	A/R
	FTC4326	2.227/2.202	A/R





**Model** DEFENDER 110 1987 onwards

**Page** AFCFEA2A

**GEARBOX - BELL HOUSING - MANUAL R380**

Ill. Part No.	Description	Qty	Remarks
1	FTC3921	1	TDI
	FTC3922	1	V8
	FTC4018	1	4Cyl petrol
	FRC6110	1	Plug
2	FS112401	6	Screw
3	UKC25L	2	Dowel

**Fixings - Gearbox to Engine - TDI**

BH110221L	Bolt	4
FN110041	Nut flanged	9
SH108141L	Screw	1
WA110061	Washer plain	4
571134	Dowel	2
622324	Clip breather	1

**Fixings - Gearbox to Engine - V8**

BH506161L	Bolt	8
PRC2978	Bracket mounting	1
586440	Clip cable	1
NH105041L	Nut	1
SH105161L	Screw	1
WA105001L	Washer plain	2
WL105001L	Washer spring	1

**Fixings - Gearbox to Engine - 4 Cylinder Petrol**

FN110041	Nut flanged	11
----------	-------------	----





DEFENDER 110 1987 onwards

335

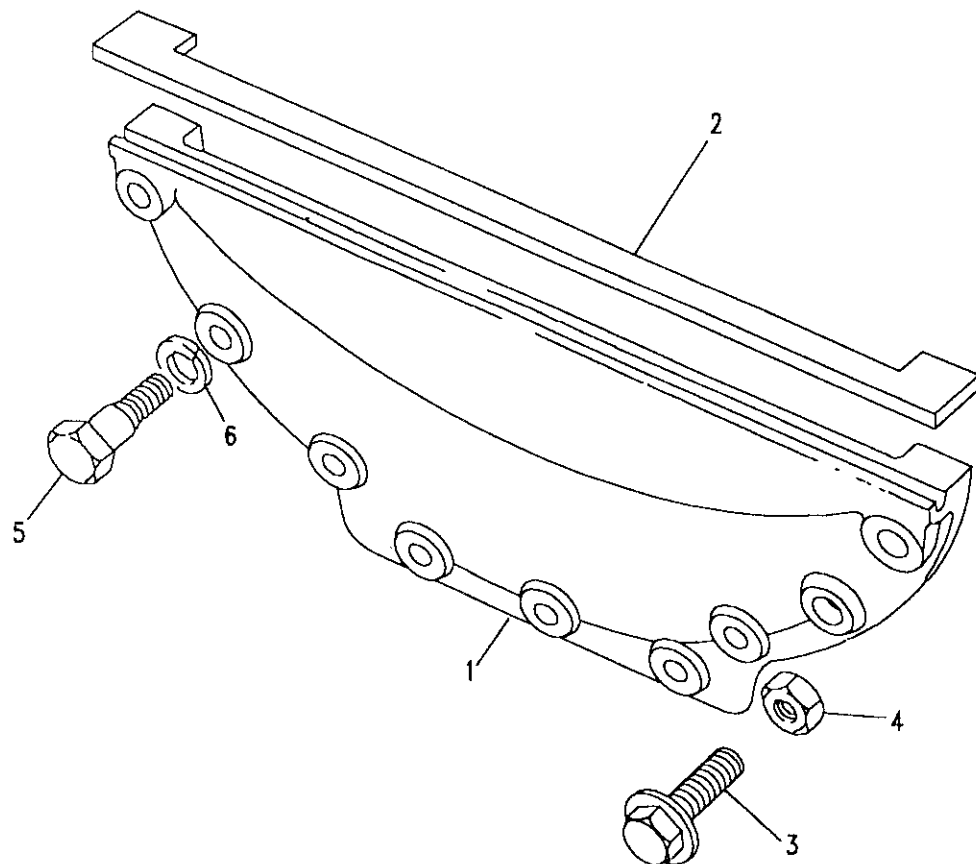
GEARBOX

Model DEFENDER 110 1987 onwards

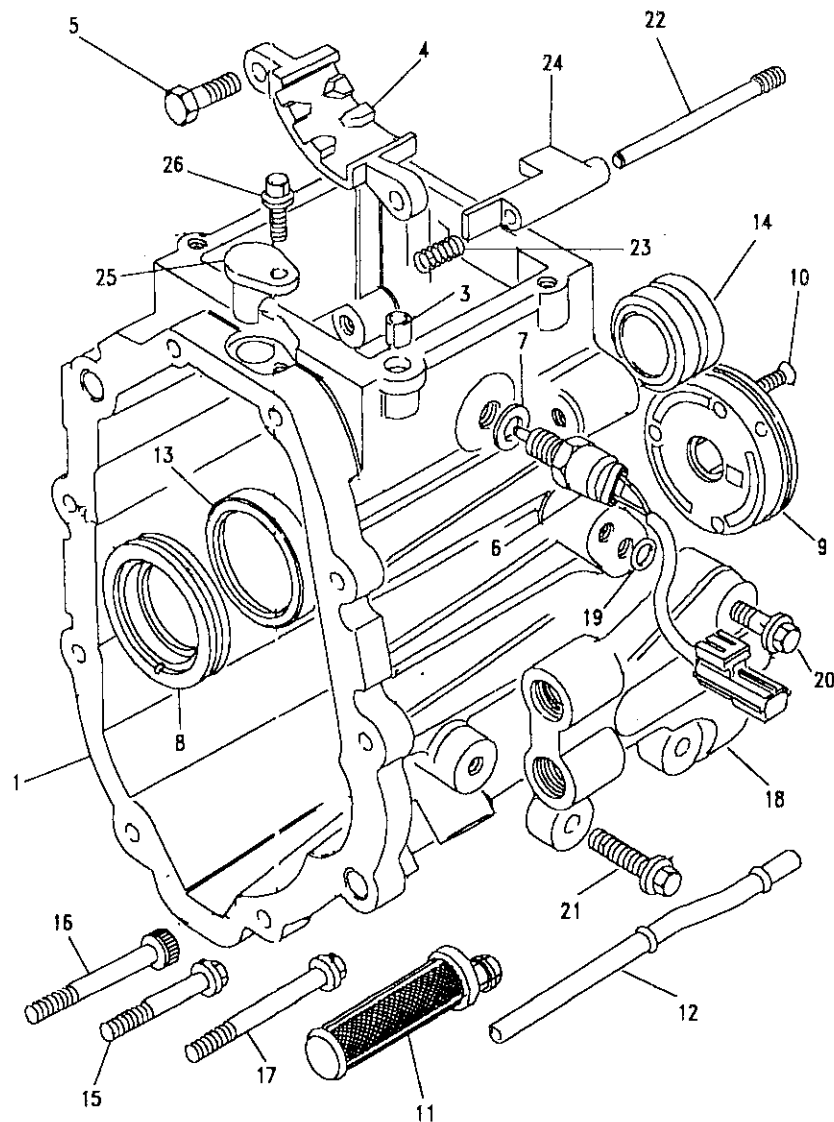
Page AFCFEA3A

GEARBOX - GEARCASE - MANUAL V8 R380

III. Part No.	Description	Qty	Remarks
1	FRC2859	1	Cover bottom
2	594087	1	Seal bottom cover
3	FS106251	2	Screw flanged
4	SH106351L	5	Screw
5	FN106041	5	Nut flanged
5	594134	2	Bolt
6	WL108001L	2	Washer spring







Model DEFENDER 110 1987 onwards

Page AFCFGA1A

GEARBOX - EXTENSION CASE - MANUAL R380

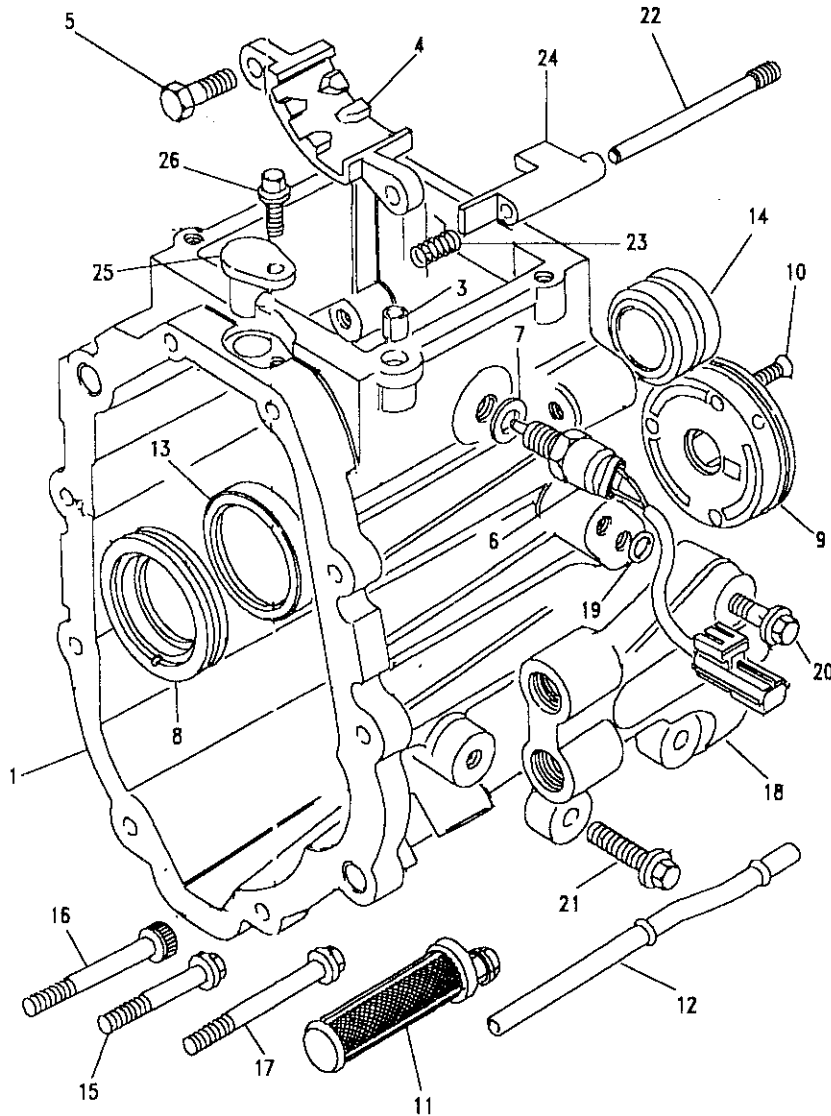
III. Part No.	Description	Qty	Remarks	
1	FTC4241	1	Extension case assembly	
2	LYQ100050	1	Plug blanking	
3	FRC2626	2	Pin spring	
4	FTC2392	1	Gateplate gear selector	
5	FS108251	2	Screw flanged	
6	CDU51	1	Switch reverse light	
7	232042	1	Washer joint	
8	AMR3859	1	Cable Assy rev light swch	
9	FTC3701	1	Ring oil feed	
10	FTC4206	1	Pump oil	
11	FTC4449	3	Screw	
12	FRC7855	1	Oil filter	
13	FTC3387	1	Pipe oil inlet	
14	FTC2383	1	Oil seal gearbox	
15	FTC4021	1	Collar oil seal	
16	FB108111	6	Flange bolt	
17	FB108171	2	Flange bolt	
18	SS108701S	2	Screw	
19	FTC4053	1	Oil block extn case	TDI & 4Cyl P
	FTC2104	1	Housing thermostat	V8 Basic
	FTC2687	1	Housing thermostat	V8 Cooled
	FTC1441	2	O ring	



DEFENDER 110 1987 onwards

337

GEARBOX



**Model** DEFENDER 110 1987 onwards  
**Page** AFCFGA1A

**GEARBOX - EXTENSION CASE - MANUAL R380**

III. Part No.	Description	Qty	Remarks
20	FB108081	2	TDI
	FB108081	2	4 Cyl Petrol
	FB108081	2	V8 Basic
	FB108081	1	V8 Cooled
21	FS108301L	2	V8 Cooled
22	FTC3711	1	
23	FTC4483	1	
24	FTC3713	1	
25	FTC3587	1	
26	FS106161M	1	
27	PRC8873	1	V8 Basic
28	232042	1	V8 Basic
29	FRC9428	1	4cyl petrol
	FRC9430	1	V8 & TDI





DEFENDER 110 1987 onwards

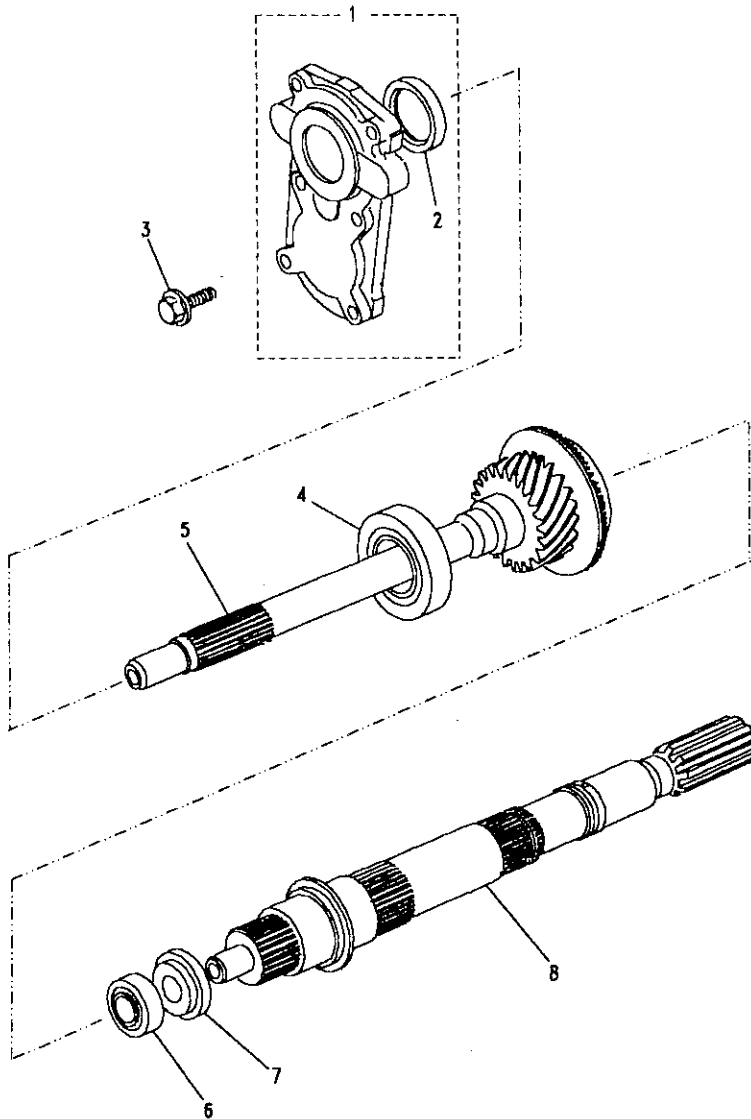
338

GEARBOX

Model DEFENDER 110 1987 onwards  
Page AFCFIA1A

GEARBOX - MAINSHAFT - MANUAL R380

III. Part No.	Description	Qty	Remarks
1	FTC4238	1	4 Cyl Petrol
	FTC3696	1	TDI & V8
2	UKC1060L	1	
3	FS108251M	6	
4	STC1628	1	
5	FTC3366	1	
	FTC3927	1	
	FTC3928	1	
6	UKC8L	1	
7	FTC2737	1	
8	FTC3703	1	





DEFENDER 110 1987 onwards

339

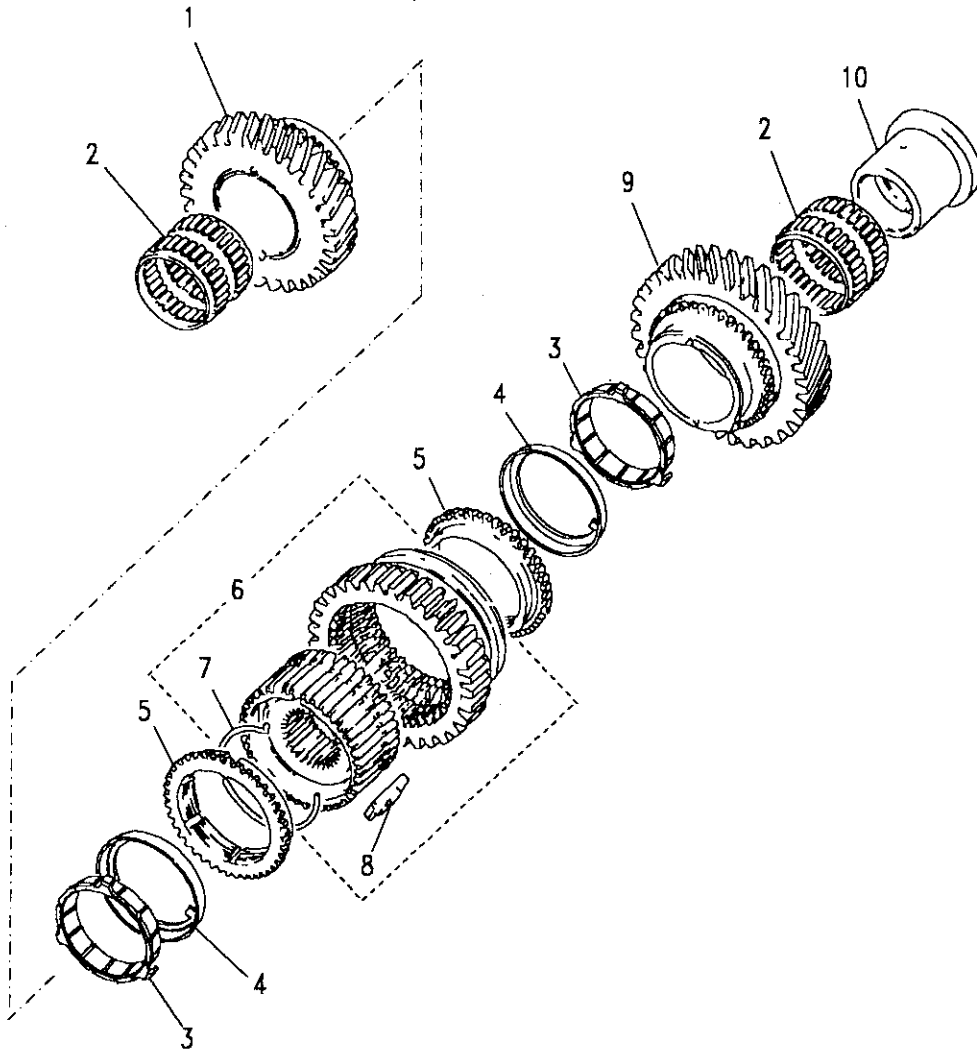
GEARBOX

Model DEFENDER 110 1987 onwards

Page AFCFIC1A

GEARBOX - MAINSHAFT GEARS. - MANUAL R380

Ill. Part No.	Description	Qty	Remarks
<b>1st and 2nd gears</b>			
1	FTC2714 Gear 2nd speed	1	
2	FTC1311 Bearing	2	
3	FTC2397 Ring synchro inner	2	
4	FTC2396 Ring synchro middle	2	
5	FTC3584 Ring baulk gearbox	2	
6	FTC2733 Synchro assembly	1	
7	FTC4172 Spring synchro	2	
8	FTC4171 Plate shifting synchro	3	
9	FTC2948 Gear 1st speed	1	TDI & V8
	FTC2716 Gear 1st speed	1	4 Cyl Petrol
10	FTC2005 Bush	1	

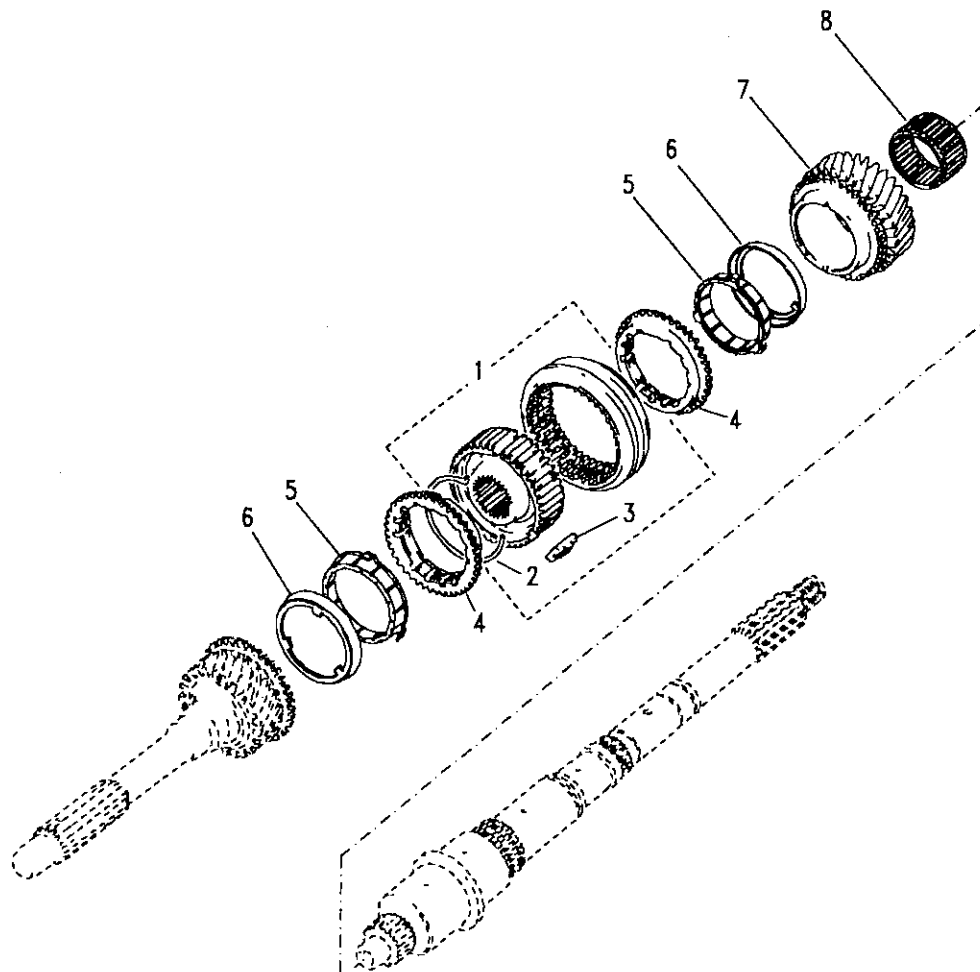


Model DEFENDER 110 1987 onwards

Page AFCFIC2A

GEARBOX - MAINSHAFT GEARS - MANUAL R380

III. Part No.	Description	Qty	Remarks
<b>3rd &amp; 4th gears</b>			
1	FTC2887	1	Synchro assembly
2	FTC4172	2	Spring synchro
3	FTC4171	3	Plate shifting synchro
4	FTC3584	2	Ring baulk gearbox
5	FTC2396	2	Ring baulk middle
6	FTC2397	2	Ring baulk inner
7	FTC2712	1	Gear 3rd speed
8	FTC1311	1	Bearing





DEFENDER 110 1987 onwards

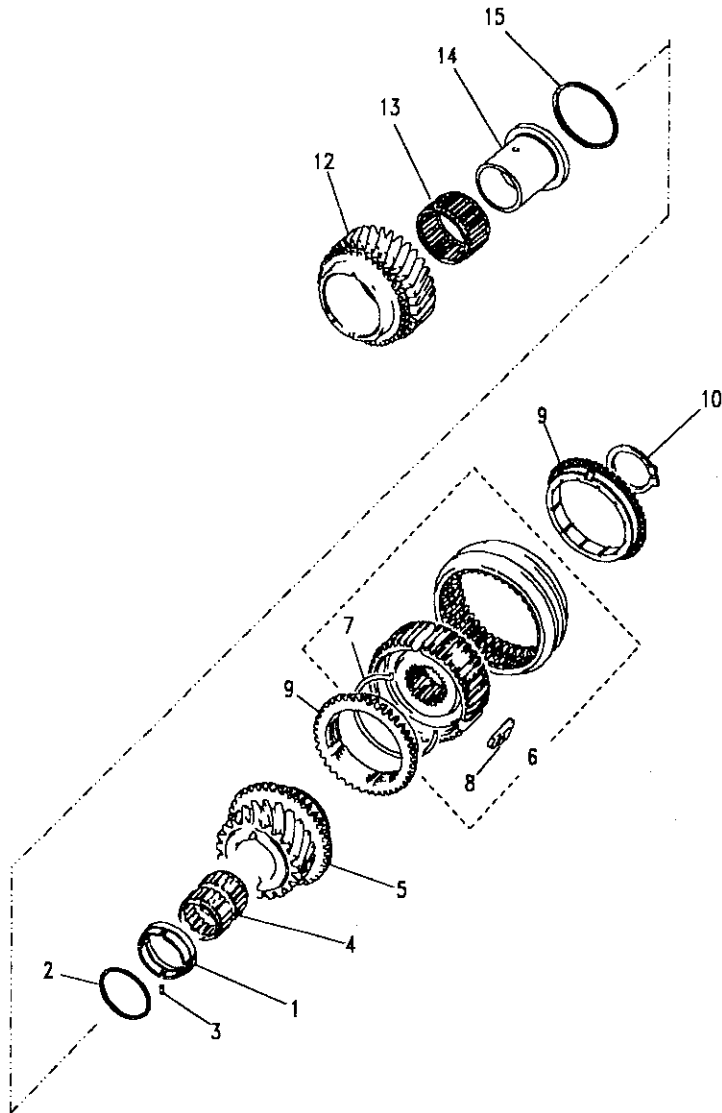
341

GEARBOX

**Model** DEFENDER 110 1987 onwards  
**Page** AFCFIC3A

**GEARBOX - MAINSHAFT GEARS - MANUAL R380**

III. Part No.	Description	Qty	Remarks
<b>5th gear</b>			
1	FTC3699	1	Washer thrust
2	FTC3700	1	Ring retainer
3	PA108101L	1	Spring pin
4	FRC5280	1	Bearing needle
5	FTC2946	1	Gear 5th speed
6	FTC2727	1	Synchro assembly
7	FTC4245	2	Spring synchro
8	FTC4171	3	Plate shifting
9	FTC2731	2	Ring baulk gearbox
10	FTC3697	1	Circlip
11	FTC3371	1	Bearing
<b>Reverse gear</b>			
12	FTC4242	1	Gear reverse
13	FTC1311	1	Bearing
14	FTC2005	1	Bush
<b>Selective spacer - Reverse bush</b>			
15	FTC3951	A/R	2.475/2.450
	FTC3953	A/R	2.425/2.400
	FTC3955	A/R	2.375/2.350
	FTC3957	A/R	2.325/2.300
	FTC3959	A/R	2.275/2.250
	FTC3961	A/R	2.225/2.200
	FTC3963	A/R	2.175/2.150
	FTC3965	A/R	2.125/2.100
	FTC3967	A/R	2.075/2.050
	FTC3969	A/R	2.025/2.000





DEFENDER 110 1987 onwards

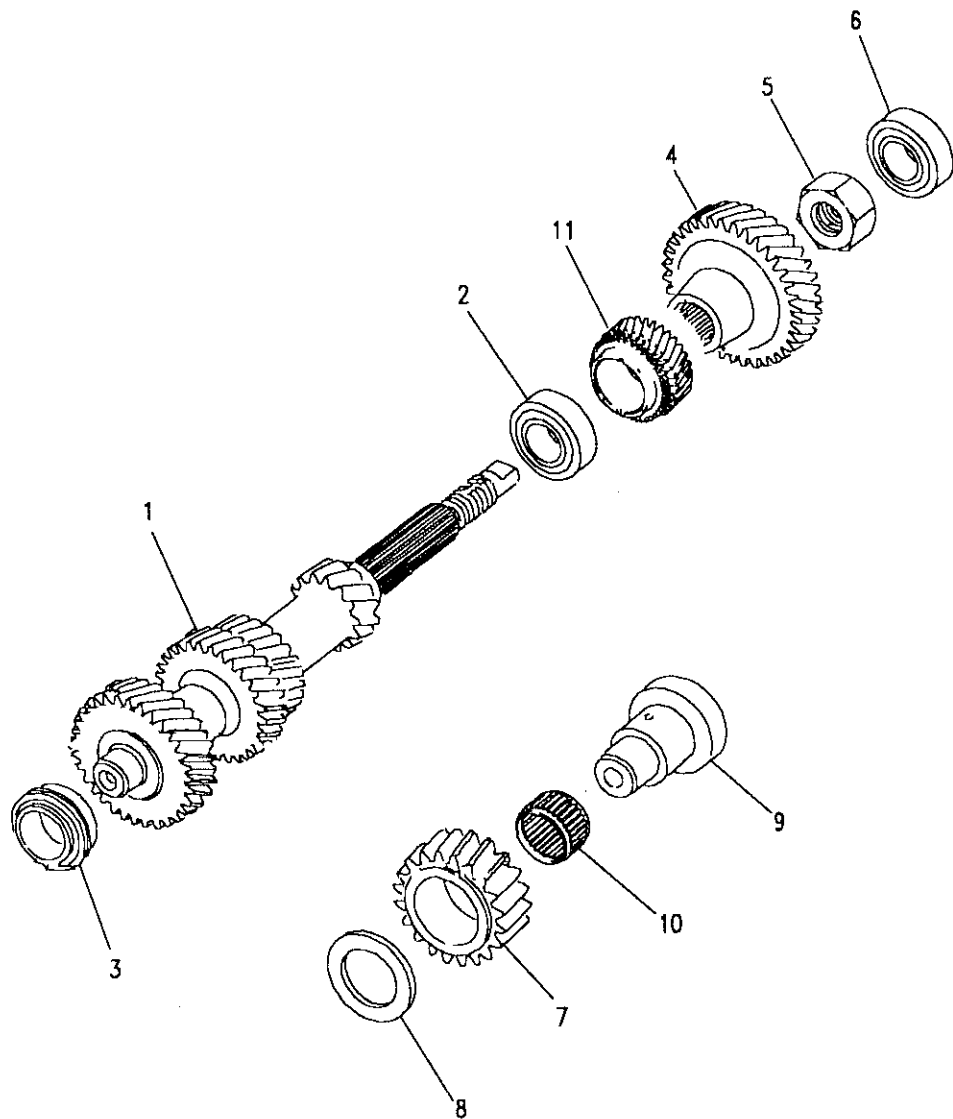
342

GEARBOX

**Model** DEFENDER 110 1987 onwards  
**Page** AFCFIE1A

**GEARBOX - LAYSHAFT - MANUAL R380**

III. Part No.	Description	Qty	Remarks
1	FTC2941	1	TDI & V8
	FTC2974	1	4 Cyl Petrol
2	FTC317	1	
3	FTC248	1	
4	FTC2945	1	
5	EJP7738	1	
6	FTC2385	1	
7	FTC2725	1	
8	FTC3847	1	
9	FTC3850	1	
10	FTC2582	1	
11	FTC3391	1	

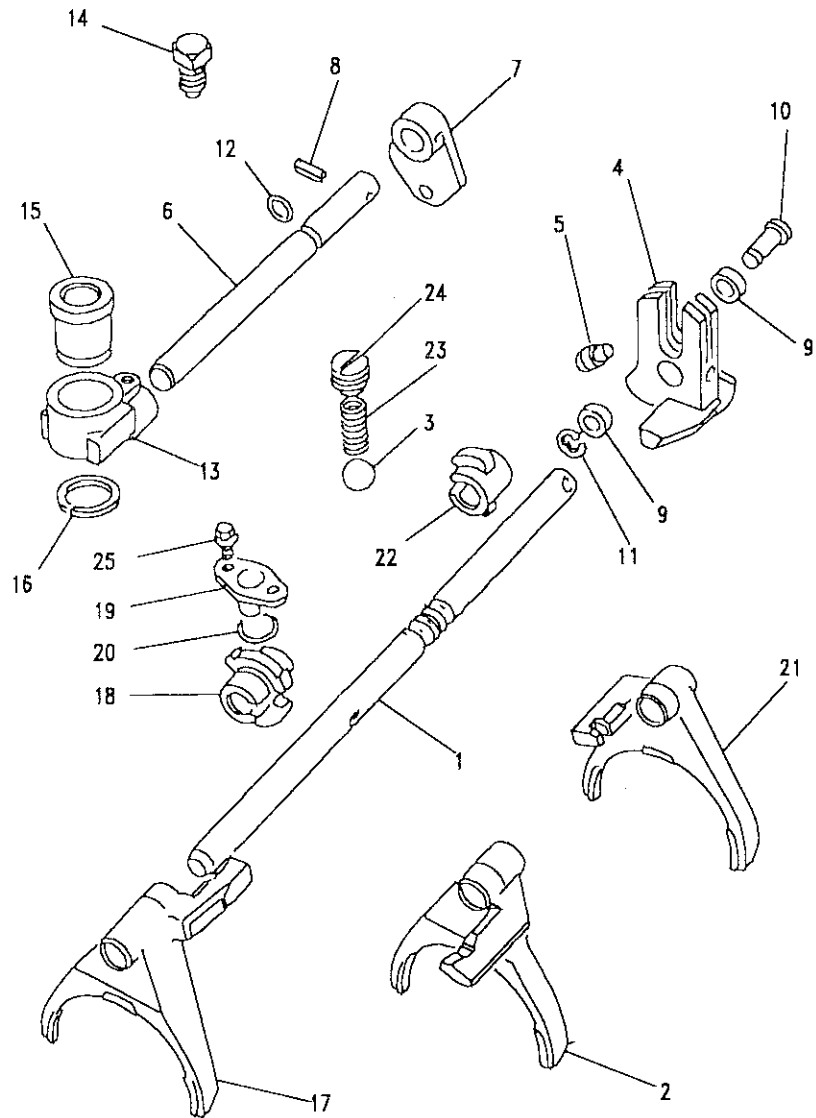




DEFENDER 110 1987 onwards

343

GEARBOX



Model DEFENDER 110 1987 onwards

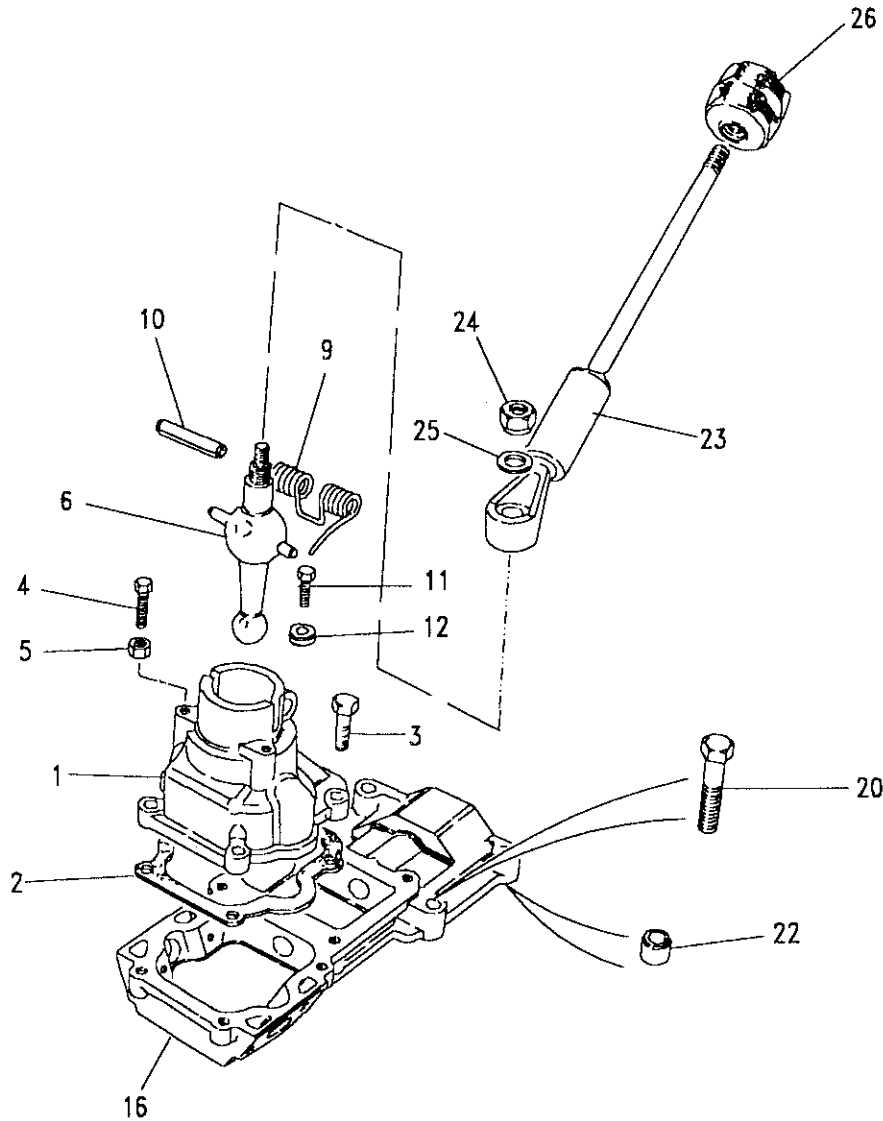
Page AFCFKA1A

GEARBOX - SELECTORS AND SHAFTS - MANUAL R380

III. Part No.	Description	Qty	Remarks
1	FTC3361	1	Selector shaft
2	FTC3581	1	Fork selector 1st/2nd
3	BLS112L	2	Ball detent 3/8
4	FTC4113	1	Quadrant
5	FTC1488	1	Spring pin
6	FRC7334	1	Select shaft
7	FRC7333	1	Quadrant
8	FRC7335	1	Spring pin
9	FRC4435	1	Roller quadrant shaft
10	FRC4434	1	Shaft quadrant roller
11	CR120105L	1	Circlip quadrant shaft
12	FRC4951	1	O ring
13	FRC5864	1	Yoke shaft
14	FTC4536	1	Grub screw
15	FRC5859	1	Seat ball end
16	CR120335L	1	Circlip
17	FTC3582	1	Fork selector 3rd/4th
18	FTC3370	1	Interlock spool
19	FRC8239	1	Plate assembly
20	FRC8170	1	O ring
21	FTC3583	1	Fork selector 5th
22	FTC2885	1	Interlock spool
23	FTC3382	2	Spring detent
24	FTC4108	1	Plug screw
25	SH106161M	2	Screw flanged







Model DEFENDER 110 1987 onwards  
Page AFCFKC1A

## GEARBOX - GEAR LEVER - MANUAL R380

III. Part No.	Description	Qty	Remarks
1	FRC7155	1	Housing gear lever
2	FTC4510	1	Joint washer housing
3	FS108251L	4	Screw flanged
4	FS106201L	2	Flange screw
5	NH106041L	2	Nut
6	FRC8724	1	Gear lever lower
7	22G1988L	1	Plunger
8	22G1989L	1	Plunger
9	FRC7414	1	Torsion spring
10	PA120801L	1	Roll pin
11	FS106161	1	Screw
12	FRC7886	1	Retaining washer
13	FRC7160	1	Grommet
14	AFU4173	1	Tie securing grommet
15	BTR1698	1	Gaiter
16	FTC3915	1	Housing gear change
17	GS110501	1	Grubscrew 5th speed stop
18	FN110041L	1	Nut flanged
19	597586	1	Plug
20	FB108081L	3	Bolt flanged
21	FB108111L	1	Bolt flanged
22	FRC2626	2	Pin spring
23	FRC7860	1	Gear lever RH steering
	FRC7493	1	Gear lever LH steering
24	NY110041L	1	Nut nyloc
25	WC110061L	1	Washer plain
26	BTR9270	1	Knob gearchange





MASTER INDEX

	PAGES		GROUP C
INTRODUCTION PAGES	1 - 7		
ALPHABETICAL INDEX	8 - 16		GEARBOX
ENGINE	17 - 66		
ENGINE	67 - 119		
ENGINE	120 - 166		
ENGINE	167 - 209		
ENGINE	210 - 245	GEARBOX	
ENGINE	246 - 299	GEARBOX ASSEMBLY - LT85	346
GEARBOX	300 - 326	CLUTCH RELEASE - LT85	347
GEARBOX	327 - 344	BELL HOUSING - LT85	348
GEARBOX	345 - 359	GEARCASE - LT85	349
TRANSFER BOX	360 - 378	FRONT COVER - LT85	350
TRANSFER BOX	379 - 397	MAINSHAFT - LT85	351
AXLES AND SUSPENSION	398 - 444	MAINSHAFT GEARS - LT85	352 - 354
STEERING	445 - 471	LAYSHAFT - LT85	355
VEHICLE AND ENGINE CONTROLS	472 - 486	SELECTOR AND SHAFTS - LT85	356
BRAKES	487 - 517	SELECTOR AND SHAFTS - LT85 - CONTINUED	357
FUEL SYSTEM AND AIR CLEANER	518 - 579	GEAR LEVER - LT85	358
EXHAUST SYSTEM	580 - 593	MOUNTINGS - LT85	359
COOLING/HEATING	594 - 637		
COOLING/HEATING	638 - 641		
COOLING/HEATING	642 - 649		
COOLING/HEATING	650 - 655		
COOLING/HEATING	656 - 666		
BODY ELECTRICAL	667 - 740		
BODY AND CHASSIS	741 - 909		
INTERIOR TRIM	910 - 955		
SEATS	956 - 1036		
STOWAGE	1037 - 1046		
ACCESSORIES - PAINTS	1047 - 1074		
NUMERICAL INDEX	1076 - 1151		



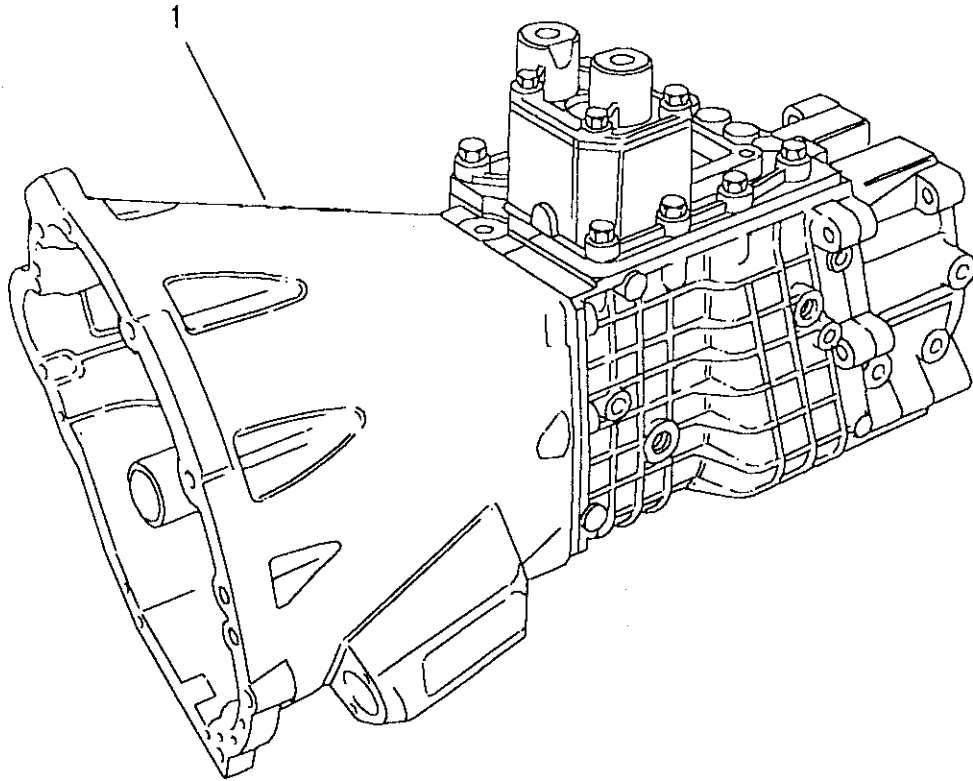


**Model** DEFENDER 110 1987 onwards  
**Page** AFCGAA1A

**GEARBOX - GEARBOX ASSEMBLY - LT85**

III. Part No.	Description	Qty	Remarks
1	FTC322N	1	Note(1)
	FTC322R	1	22C only
	FRC7904R	1	20C only

Note(1) Gearbox Number 20C00001/22C00001

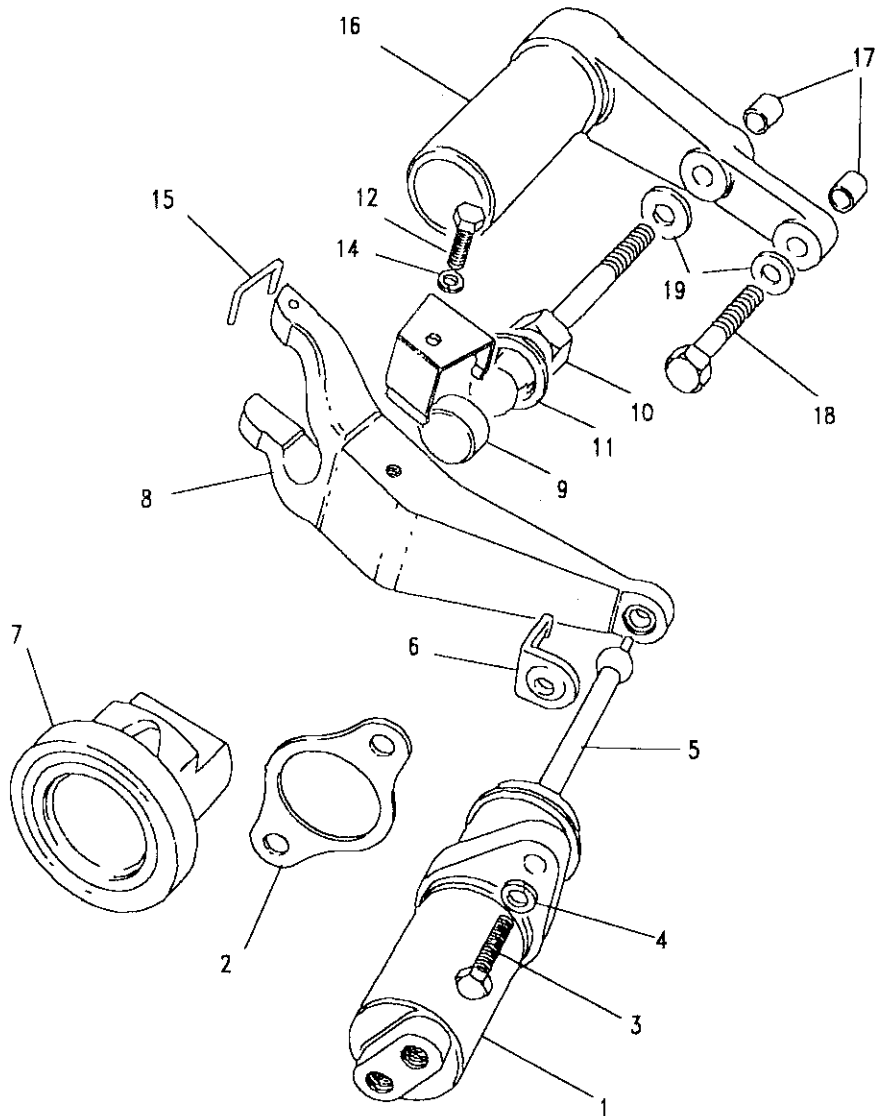




DEFENDER 110 1987 onwards

347

GEARBOX



**Model** DEFENDER 110 1987 onwards  
**Page** AFCGCA1A

**GEARBOX - CLUTCH RELEASE - LT85**

III. Part No.	Description	Qty	Remarks
1 UKC8677L	Slave cylinder-clutch	1	
BHM7063L	Kit repair-slave cylinder	1	
2 FRC2402	Plate backing	1	
3 SH108251L	Screw-slave cylinder	2	
4 WL108001L	Washer spring	2	
5 571160	Push rod-slave cylinder	1	
6 576723	Clip-push rod	1	
7 FRC9568	Bearing clutch release	1	
8 576137	Lever clutch release	1	
9 FRC2975	Cap-pivot lever	1	
10 FRC2528	Pivot-release lever	1	
11 571161	Insert-clutch rel/lever	1	
12 SH106101L	Screw-clutch rel/lever	1	
13 WM106001L	Washer spring	1	
14 571163	Clip-clutch release lever	1	
15 576203	Staple-clutch lever	1	
16 FRC4803	Guide-clutch release	1	
17 FRC2481	Dowel-guide	2	
18 SH108401L	Screw	1	
19 WL108001L	Washer spring	2	

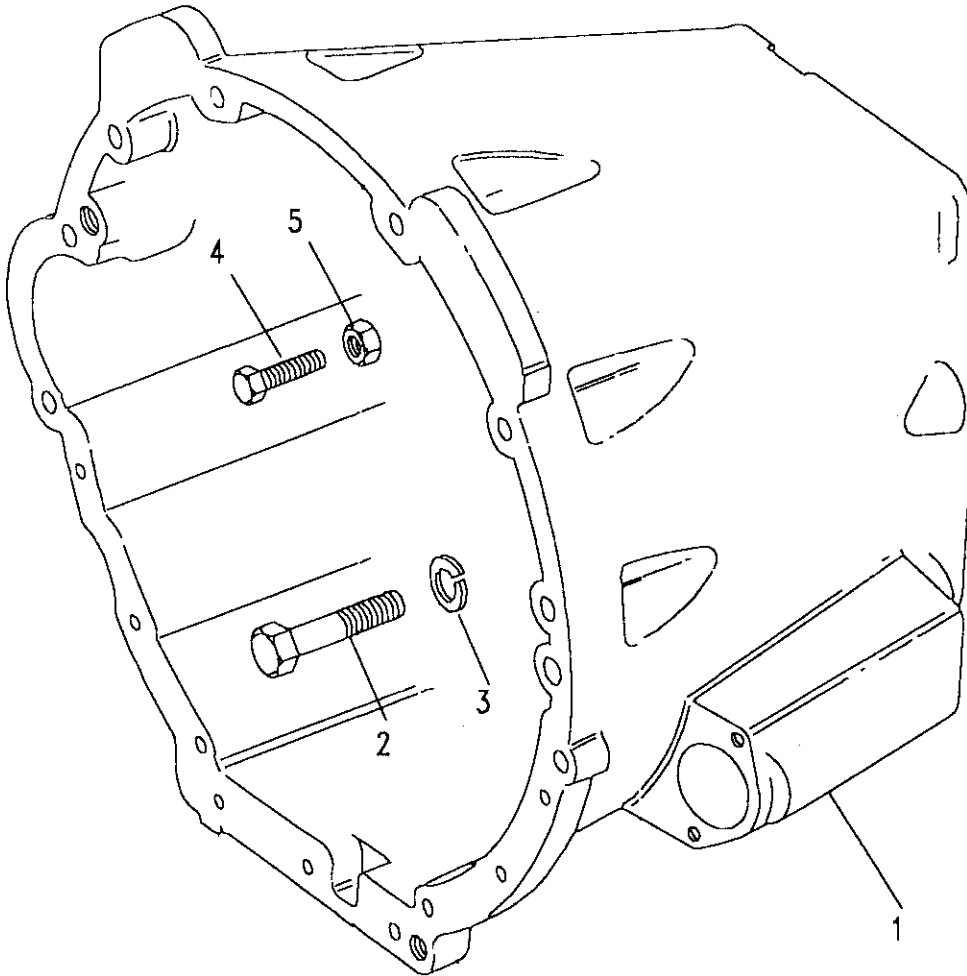




**Model** DEFENDER 110 1987 onwards  
**Page** AFCGEA1A

**GEARBOX - BELL HOUSING - LT85**

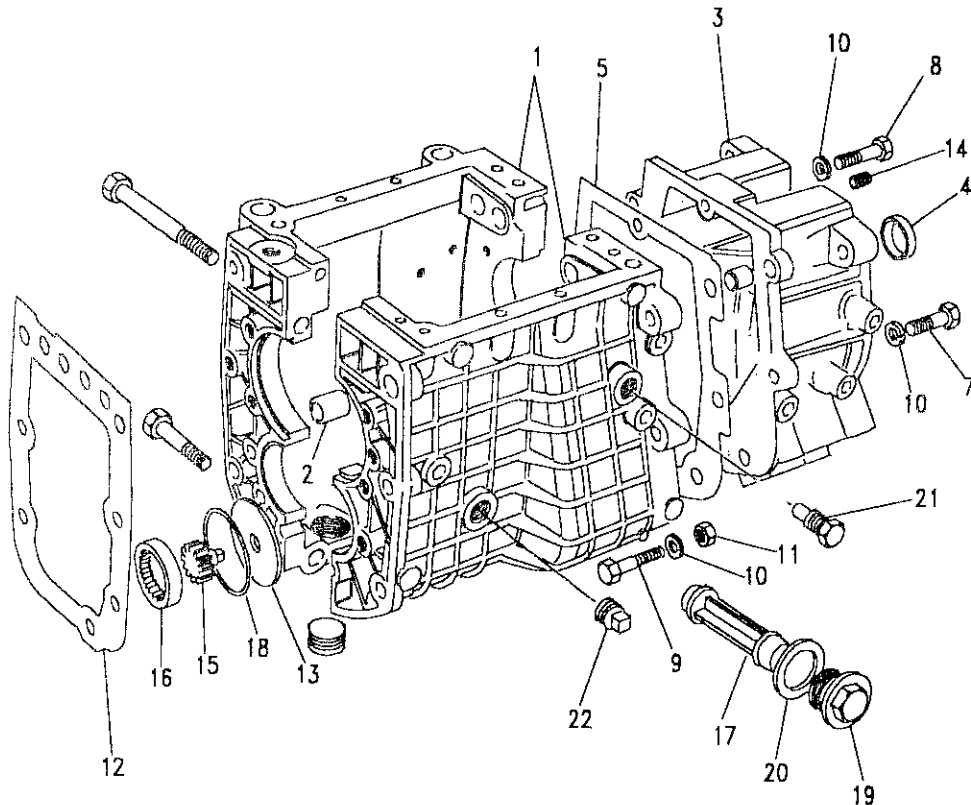
iii. Part No.	Description	Qty	Remarks
1	FRC8529	1	Bell housing
2	BH112141L	6	Bolt M12x70
3	WL112001L	6	Washer spring
4	SH106301L	1	Screw M6x30
5	NH106041L	1	Nut
	3290	1	Plug WADING





**Model** DEFENDER 110 1987 onwards  
**Page** AFCGEA2B

**GEARBOX - GEARCASE - LT85**



III. Part No.	Description	Qty	Remarks
1	FRC3731	1	20C
	FRC8397	1	22C
	FRC9524	1	Note(1)
2	FRC2309	2	
3	FRC5306	1	
4	FRC2365	1	
5	FRC2465	1	
6	FRC2482	2	
7	BH110091L	3	
8	BH110101L	3	
9	BH110121L	2	
10	WL110001L	8	
11	NH110041L	1	
12	FRC3073	2	Note(2)
13	FRC2542	1	
14	FRC3166	1	
15	90571086	1	} 20C only
16	591227	1	
17	576220	1	}
18	FRC2468	1	
19	90571104	1	}
20	FRC4810	1	
	STC820	1	} Asbestos free
	608246	1	
	571944	1	
	PRC1039	1	
	FRC5674	1	
21	FRC2370	1	
22	3292	1	

Note(1) Prefix 22C but with SPLIT GEARCASE  
 Note(2) Use only 1 washer with SPLIT GEARCASE





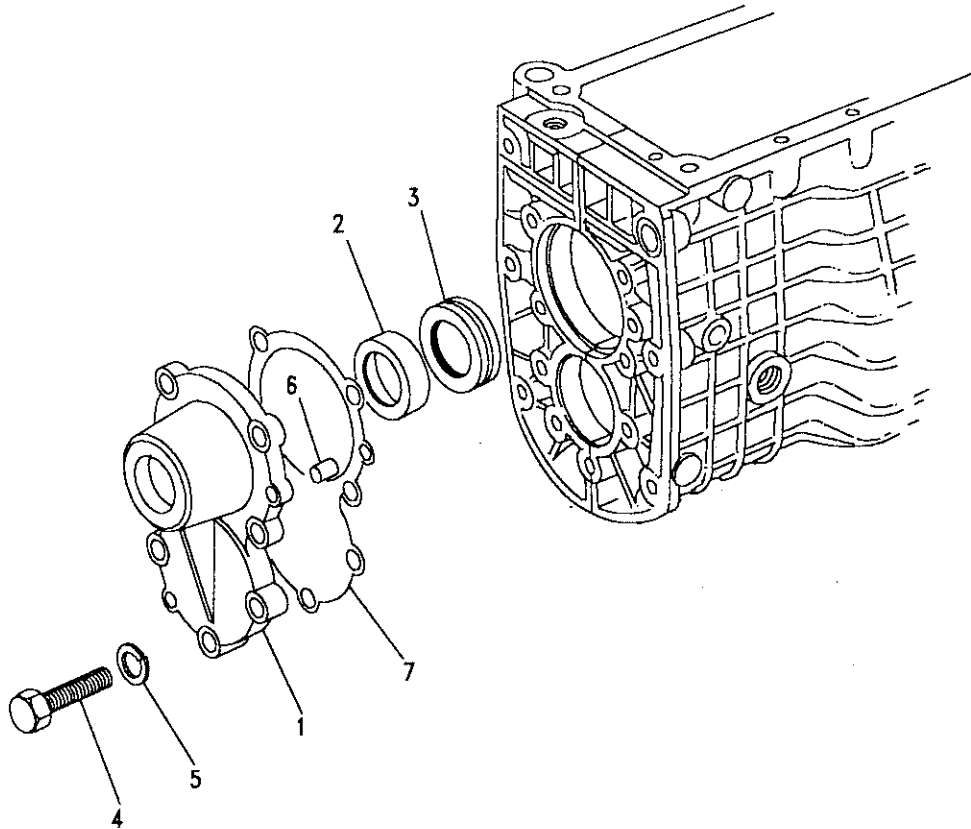
Model DEFENDER 110 1987 onwards

Page AFCGIA1A

## GEARBOX - FRONT COVER - LT85

III. Part No.	Description	Qty	Remarks
1	FRC4875	1	20C
	FRC9620	1	22C
	GS108081L	1	20C
2	FRC2361	1	
3	591394	1	
4	SH108401L	8	
5	WL108001L	8	
6	571134	2	
7	FRC3072	1	20C
	FRC8215	1	Note(1)

Note(1) Prefix 22C - Washer has hole at the top only





DEFENDER 110 1987 onwards

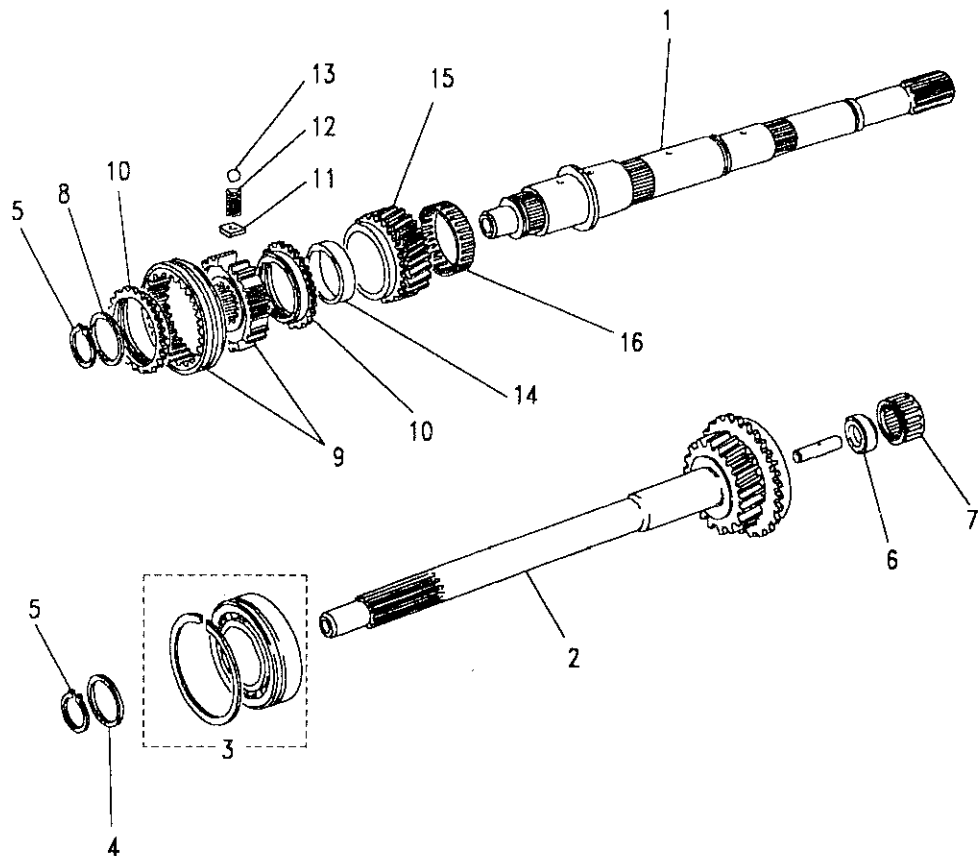
351

GEARBOX

Model DEFENDER 110 1987 onwards

Page AFCGIA2A

GEARBOX - MAINSHAFT - LT85



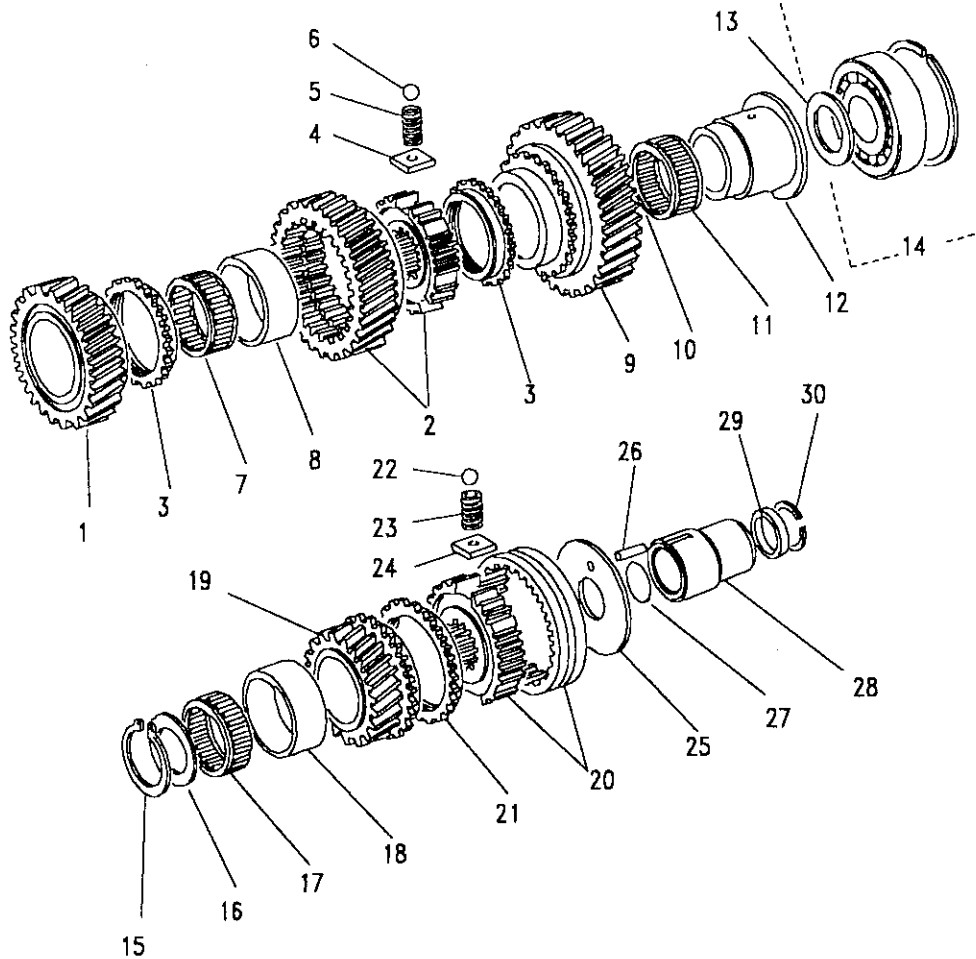
III. Part No.	Description	Qty	Remarks
1 FRC4714	Mainshaft	1	)20C
2 FRC7852	Constant pinion assembly	1	)
1 FRC8214	Mainshaft	1	)22C
2 FRC9621	Constant pinion assembly	1	)
3 FRC2301	Ball bearing	1	
4	SHIMS-CONSTANT PINION		
FRC2445	3.07	A/R	
FRC2446	3.02	A/R	
FRC2447	2.97	A/R	
FRC2448	2.92	A/R	
FRC2449	2.87	A/R	
5 FRC2488	Circlip	2	
6 571142	Seal oil	1	
7 6397	Bearing	1	
8	SHIMS-3RD AND 4TH HUB		
FRC2554	3.48	A/R	
FRC2555	3.43	A/R	
FRC2556	3.38	A/R	
9 FRC8139	Synchromesh assy 3rd/4th	1	
10 FRC8777	Baulk ring	2	
11 FRC7752	Block sliding	3	
12 503805	Spring	3	
13 BLS108L	Ball	3	
14 FRC3898	Spacer-3rd gear	1	
15 FRC7764	Gear-3rd speed-mainshaft	1	20C
FRC8210	Gear-3rd speed-mainshaft	1	22C
16 FRC2334	Bearing	1	





Model DEFENDER 110 1987 onwards  
 Page AFCGIC1A

**GEARBOX - MAINSHAFT GEARS - LT85**



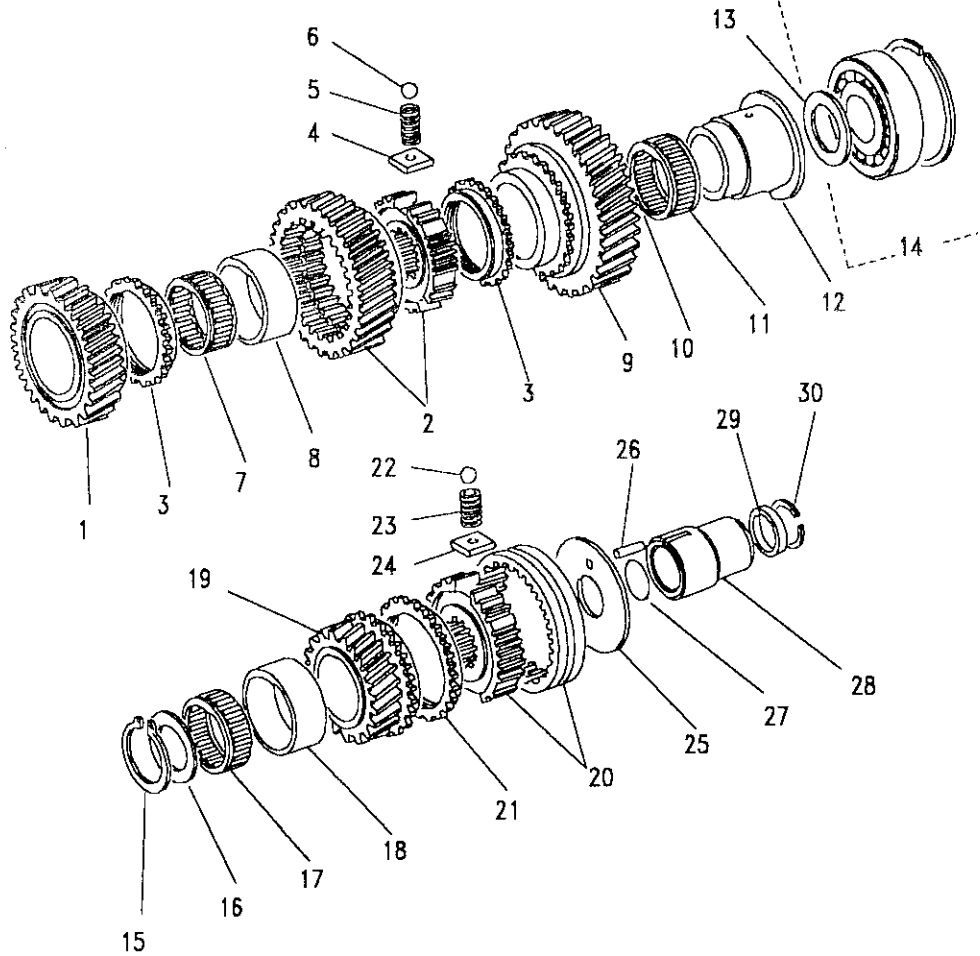
III. Part No.	Description	Qty	Remarks
1	FRC7763	1	20C
	FRC8209	1	22C
2	FRC8129	1	Note(1)
	FRC9556	1	Note(2)
3	FRC8777	2	
4	FRC7752	3	
5	503805	3	
6	BLS108L	3	
7	FRC2334	1	
8	FRC3898	1	
9	FRC7761	1	20C
	FRC8208	1	22C
10	FRC3897	1	
11	FRC2334	1	
12	FRC8422	1	
13	FRC8400	A/R	
	FRC8401	A/R	
	FRC8402	A/R	
	FRC8403	A/R	
	FRC8404	A/R	
	FRC8405	A/R	
	FRC8406	A/R	
14	FRC2301	1	
15	FRC2488	1	
16	FRC5978	1	
17	FRC2479	1	
18	FRC3896	1	

Note(1) Prefix 20C and up to Prefix 22C00193  
 Note(2) Prefix 22C00194 onwards



Model DEFENDER 110 1987 onwards  
Page AFCGIC1A

GEARBOX - MAINSHAFT GEARS - LT85



III. Part No.	Description	Qty	Remarks
19 FRC7757	Gear-5th speed	1	20C
FRC8211	Gear-5th speed	1	22C
20 FRC8176	Synchromesh assy 5th	1	
21 FRC8777	Baulk ring	1	
22 BLS108L	Ball	3	
23 503805	Spring	3	
24 FRC7752	Block sliding	3	
25 FRC7753	Plate stop-5th speed 3mm	1	Note(1)
STC700	Plate stop-5th speed 5mm	1	Note(2)
26 FRC8409	Pin anti-rotation 3mm	1	Note(1)
STC581	Pin anti-rotation 5mm	1	Note(2)
27 FRC2457	'O'ring-collar	1	
28 FRC5317	Collar-oil seal 3mm	1	Note(1)
STC582	Collar-oil seal 5mm	1	Note(2)

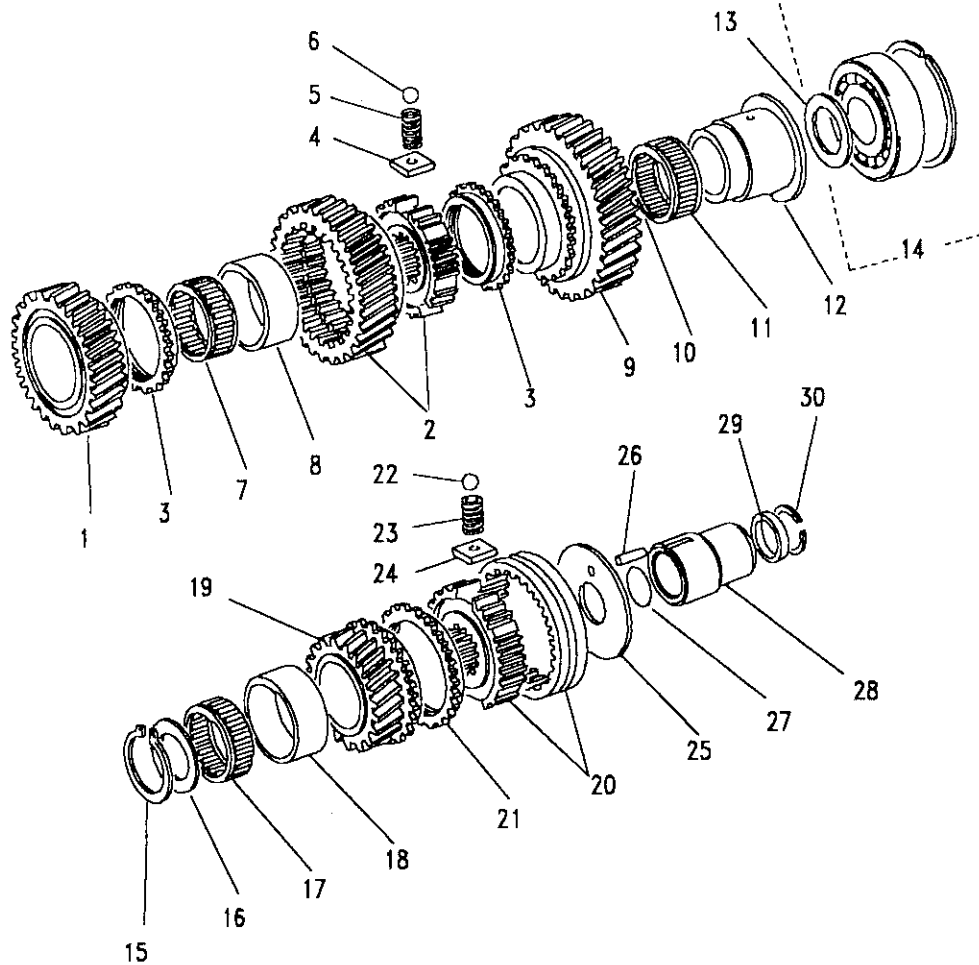
Note(1) Up to gearbox 22C00845  
Note(2) From gearbox 22C00846





Model DEFENDER 110 1987 onwards  
Page AFCG1A

GEARBOX - MAINSHAFT GEARS - LT85



Ill. Part No.	Description	Qty	Remarks
29	SUPPORT WASHER		
FRC5602	4.25	A/R	
FRC5603	4.30	A/R	
FRC5604	4.35	A/R	
FRC5605	4.40	A/R	
FRC5606	4.45	A/R	
FRC5607	4.50	A/R	
FRC5608	4.55	A/R	
FRC5609	4.60	A/R	
FRC5610	4.65	A/R	
FRC5611	4.70	A/R	
FRC5612	4.75	A/R	
FRC5613	4.80	A/R	
FRC5614	4.85	A/R	
FRC5615	4.90	A/R	
FRC5616	4.95	A/R	
30	FRC4494 Ring snap collar	1	





DEFENDER 110 1987 onwards

355

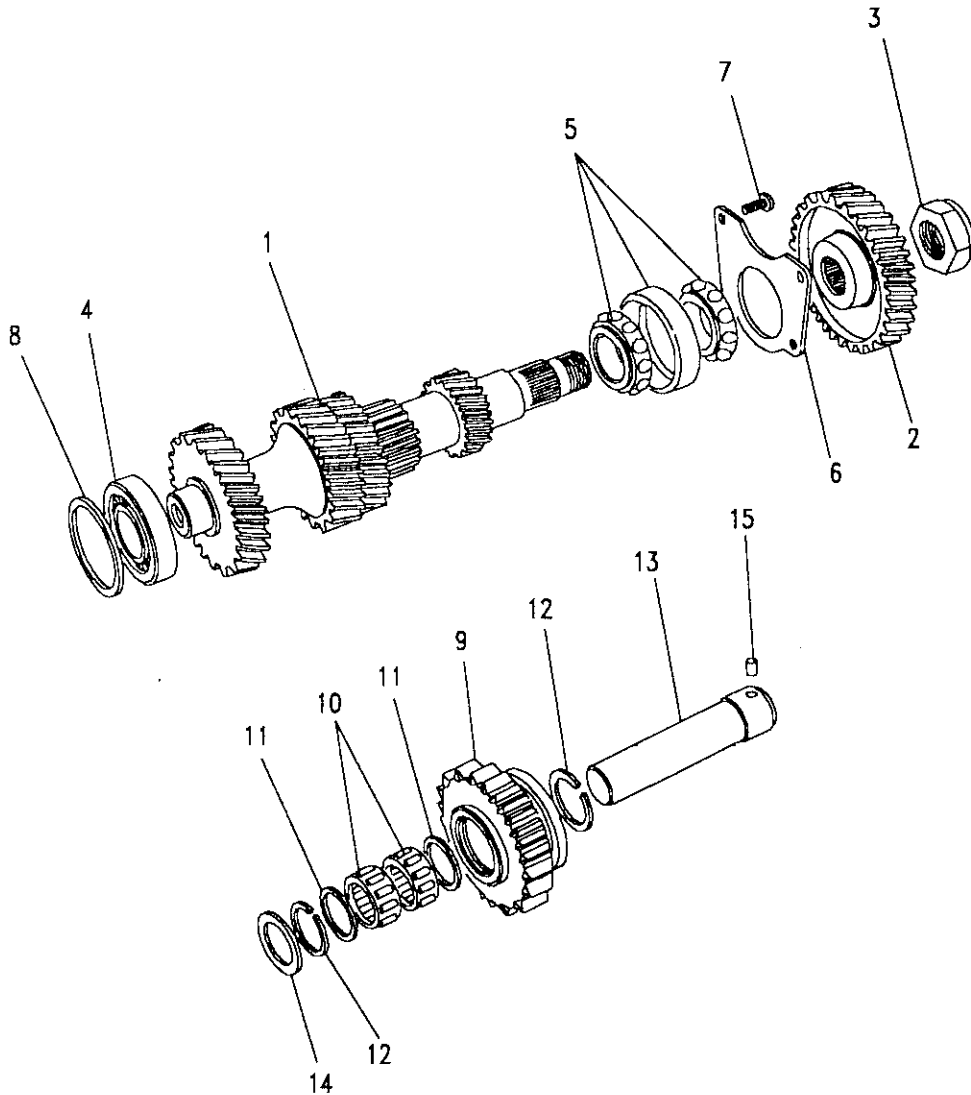
GEARBOX

Model DEFENDER 110 1987 onwards

Page AFCGIE1A

GEARBOX - LAYSHAFT - LT85

III. Part No.	Description	Qty	Remarks
1	FRC3732	1	20C
	FRC8213	1	22C
2	FRC8211	1	
3	FRC3806	1	
4	FRC2578	1	
5	FRC2470	1	
6	FRC8380	1	
7	SB108201L	2	
	SH108301L	2	
	WL108001L	2	
8	FRC3987	1	
9	FRC3319	1	
10	FRC1032	2	
11	FRC1034	2	
12	FRC1035	2	
13	FRC3112	1	
14	FRC8421	1	
15	591519	1	



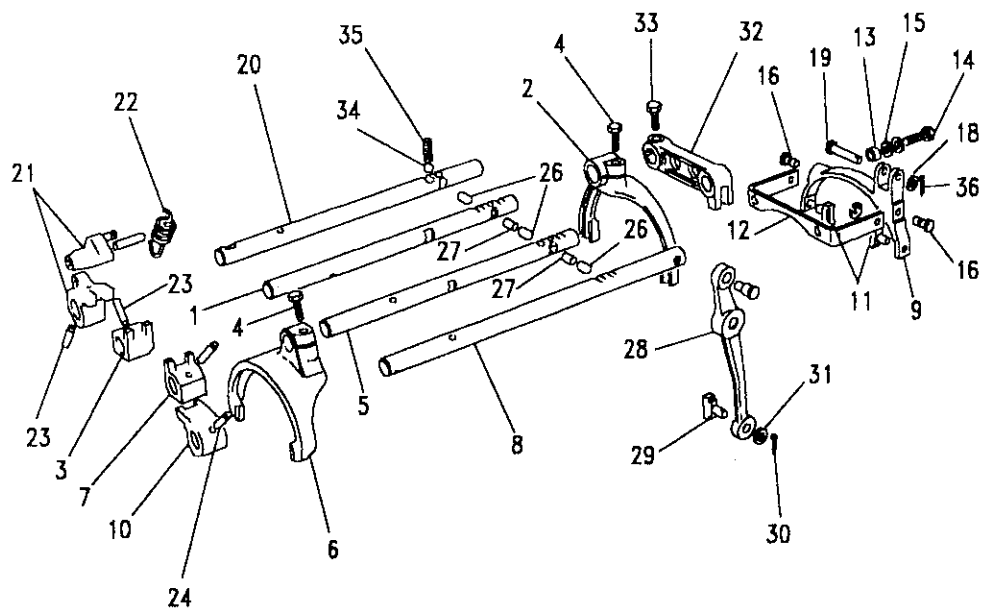


Model DEFENDER 110 1987 onwards

Page AFCGKA1A

GEARBOX - SELECTOR AND SHAFTS - LT85

Ill. Part No.	Description	Qty	Remarks
1	FRC2381	1	Shaft selector 1st/2nd
2	FRC7769	1	Fork selector 1st/2nd
3	FRC8452	1	Jaw selector 1st/2nd
4	SX108351L	1	Bolt 1st/2nd
5	FRC3118	1	Shaft selector 3rd/4th
6	FRC7754	1	Fork selector 3rd/4th
7	FRC8452	1	Jaw selector 3rd/4th
8	FRC3282	1	Shaft selector 5th
9	FRC7767	1	Fork selector 5th
10	FRC8454	1	Jaw selector 5th
11	622388	2	Pad swivel-5th fork
12	FRC7766	1	Bracket pivot 5th fork
13	FRC2481	2	Dowel-bracket
14	SH108301L	2	Screw M8x30
15	WA108051L	2	Washer plain
16	UKC2089L	2	Pivot pin-5th fork
17	UKC2105L	2	Circlip-pivot pin





DEFENDER 110 1987 onwards

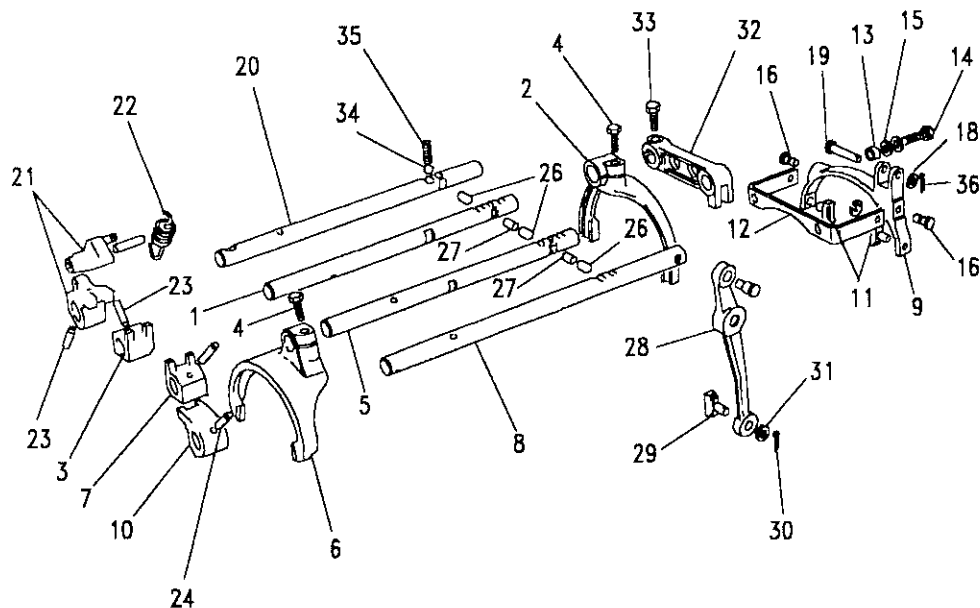
357

GEARBOX

Model DEFENDER 110 1987 onwards

Page AFCGKA1A

GEARBOX - SELECTOR AND SHAFTS - LT85 - CONTINUED



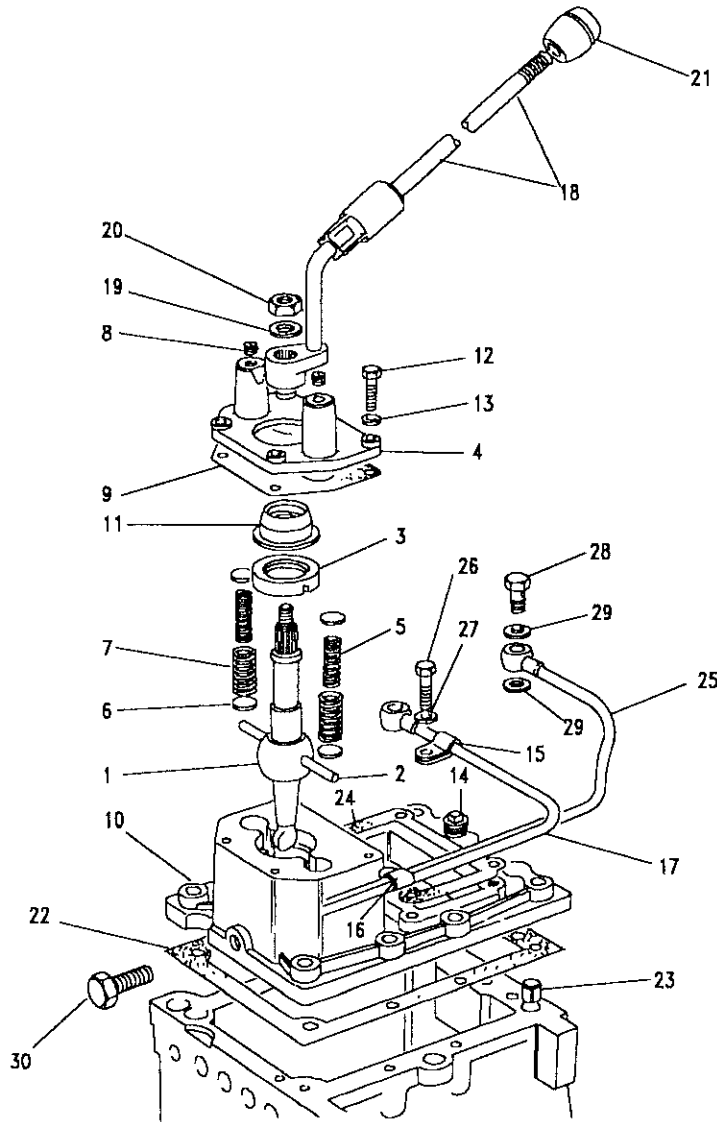
III. Part No.	Description	Qty	Remarks
18	WA106041L	1	Washer-plain-pivot pin
19	PC106561L	1	Clevis pin-5th fork
20	FRC8270	1	Shaft selector-reverse
21	FRC8455	1	Hinge reverse
22	FRC3481	1	Spring-reverse hinge
23	571158	4	Spring pin-jaws to shaft
24	PS103121L	1	Split pin
25	SH108301L	2	Screw M8 x 30
26	FRC2577	3	Plunger interlock
27	FRC3117	2	Pin interlock
28	FRC2390	1	Lever reverse assembly
29	571043	1	Selector foot
30	PS103121L	1	Split pin
31	WA108051L	1	Washer
32	FRC2368	1	Beam reverse
33	FRC2370	1	Bolt beam reverse
34	571146	4	Detent ball
35	593802	4	Detent spring
36	PS103121L	1	Split pin-5th speed fork



Model DEFENDER 110 1987 onwards

Page AFCGKC1A

GEARBOX - GEAR LEVER - LT85



III. Part No.	Description	Qty	Remarks
1	FRC8250	1	Gear lever-LOWER
2	FRC2622	2	Pin locating-gear lever
3	FRC2612	1	Seat-gear lever lower
4	FRC2583	1	Spring housing-gearchange
5	FRC2587	2	Spring-bias-inner
6	FRC2623	4	Disc-bias springs
7	FRC3146	2	Spring-bias-outer
8	GS112141L	2	Screw grub-bias adjusting
9	FRC2648	1	Washer joint
10	FRC5698	1	Cover top-gearbox
11	FRC8271	1	Grommet gear lever lower
12	SH106251L	4	Screw M6x25
13	WL106001L	4	Washer spring
14	3292	1	Plug-filler-top cover
15	BAU1689	1	Clip-single-breather pipe
16	622324	1	Clip-double-breather pipe
17	FRC9430	1	Breather to G/BOX
18	FRC8863	1	Gear lever-UPPER
19	WA110061L	1	Washer
20	NY110041L	1	Nut
21	FRC8722	1	Knob-gear lever
22	FRC2487	1	Washer joint-top cover
23	FRC2626	1	Spring pin-top cover
24	FTC4036	1	Gasket-gear change
25	FRC9429	1	Breather to T/BOX
26	SH108401L	8	Screw
27	WL108001L	8	Washer
28	595478	2	Bolt banjo
29	232039	4	Washer sealing
30		1	Plug blanking



DEFENDER 110 1987 onwards

359

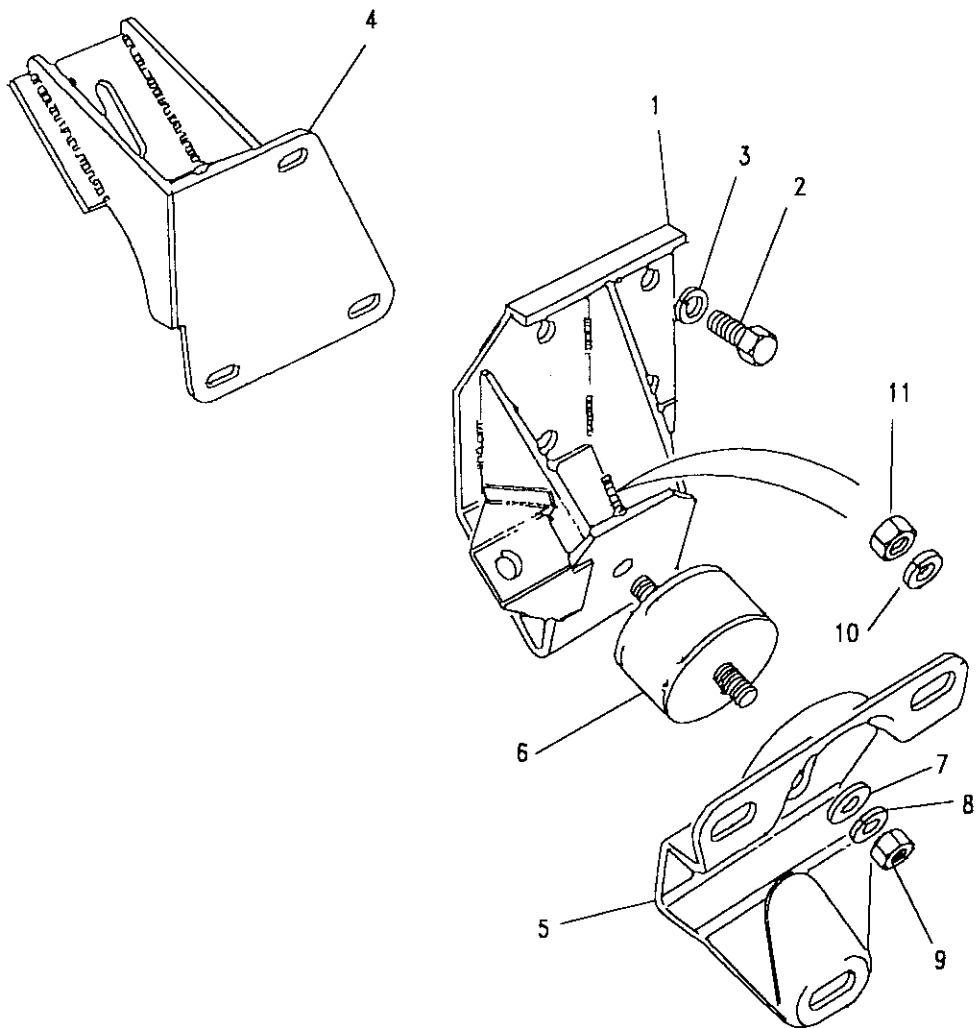
GEARBOX

Model DEFENDER 110 1987 onwards

Page AFCGMA1A

GEARBOX - MOUNTINGS - LT85

III. Part No.	Description	Qty	Remarks
1	NRC9501 Mounting Bracket-LH	1	
2	SH112251L Screw	4	
3	WL112001L Washer spring	4	
4	NTC1201 Bracket mounting RH	1	
5	90575585 Bracket mounting	2	
6	NTC5900 Rubber mounting	2	IMPERIAL
7	WD110061L Washer-rubber to bracket	2	
8	WL600061L Washer spring	2	
9	NH606041L Nut-rubber to bracket	2	
10	WL600061L Washer-rubber to bracket	2	
11	NH606041L Nut-rubber to bracket	2	
	RTC6115 Kit engine mounting	2	)
	NH110041LD Nut	4	)METRIC
	WC110061LD Washer	2	)
	WL110001LD Washer spring	4	)







## MASTER INDEX

	PAGES
INTRODUCTION PAGES	1 - 7
ALPHABETICAL INDEX	8 - 16
ENGINE	17 - 66
ENGINE	67 - 119
ENGINE	120 - 166
ENGINE	167 - 209
ENGINE	210 - 245
ENGINE	246 - 299
ENGINE	300 - 326
GEARBOX	327 - 344
GEARBOX	345 - 359
GEARBOX	360 - 378
TRANSFER BOX	379 - 397
TRANSFER BOX	398 - 444
AXLES AND SUSPENSION	445 - 471
STEERING	472 - 486
VEHICLE AND ENGINE CONTROLS	487 - 517
BRAKES	518 - 579
FUEL SYSTEM AND AIR CLEANER	580 - 593
EXHAUST SYSTEM	594 - 637
COOLING/HEATING	638 - 641
COOLING/HEATING	642 - 649
COOLING/HEATING	650 - 655
COOLING/HEATING	656 - 666
BODY ELECTRICAL	667 - 740
BODY AND CHASSIS	741 - 909
INTERIOR TRIM	910 - 955
SEATS	956 - 1036
STOWAGE	1037 - 1046
ACCESSORIES - PAINTS	1047 - 1074
NUMERICAL INDEX	1076 - 1151

## GROUP D

## TRANSFER BOX

TRANSFER BOX	
TRANSFER ASSEMBLY - 4CYL LT77S	361
HOUSING - 4CYL/LT77S	362
SPEEDO HOUSING - 4CYL/LT77S	363 - 364
DIFFERENTIAL - 4CYL/LT77S	365
MAINSHAFT - 4CYL/LT77S	366
INTERMEDIATE SHAFT - 4CYL/LT77S	367
FRONT FLANGE - 4CYL/LT77S	368
REAR FLANGE - 4CYL/LT77S	369
FRONT OUTPUT SHAFT - 4CYL/LT77S	370 - 371
HIGH LOW GEARS - 4CYL/LT77S	372
GEAR CHANGE - 4CYL/LT77S	373 - 374
ROD ASSEMBLY - 4CYL/LT77S	375
GASKET KIT - 4CYL/LT77S	376
TRANSMISSION BRAKE - 4CYL/LT77S	377
TRANSMISSION BRAKE - 4 CYL/LT77S	378





DEFENDER 110 1987 onwards

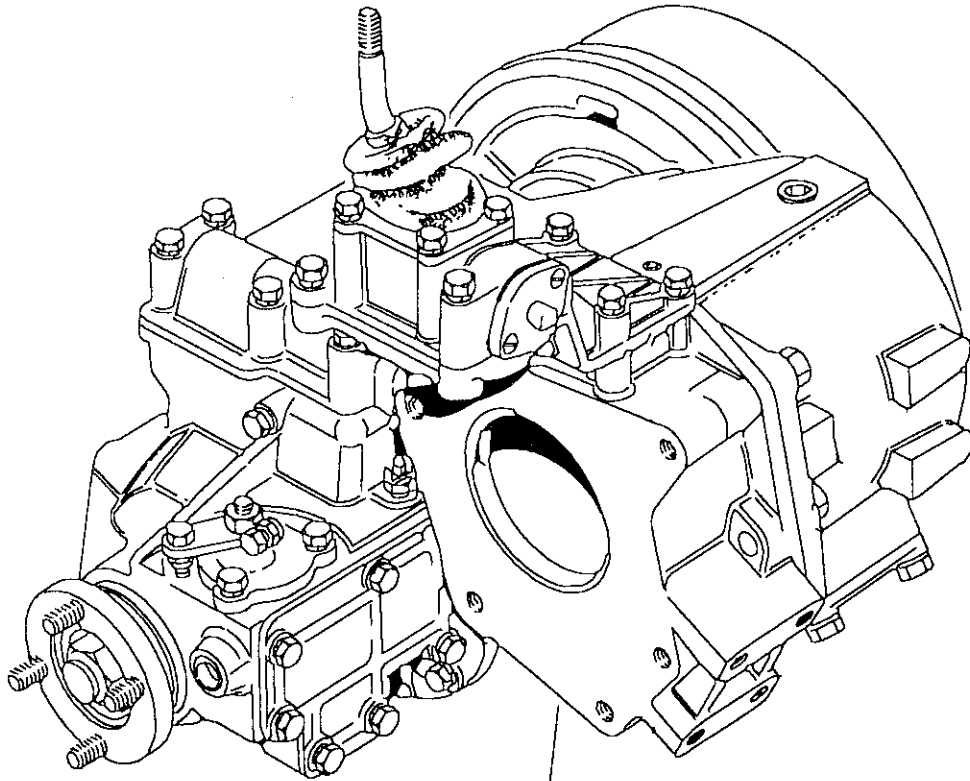
361

TRANSFER BOX

**Model** DEFENDER 110 1987 onwards  
**Page** AFDCAA1A

**TRANSFER GEARBOX - TRANSFER ASSEMBLY - 4CYL LT77S**

III. Part No.	Description	Qty	Remarks
1 FRC9469N	Transfer assy-1.667.1	1	20D 4cyl
FRC9470N	Transfer assy-1.410.1	1	22D V8



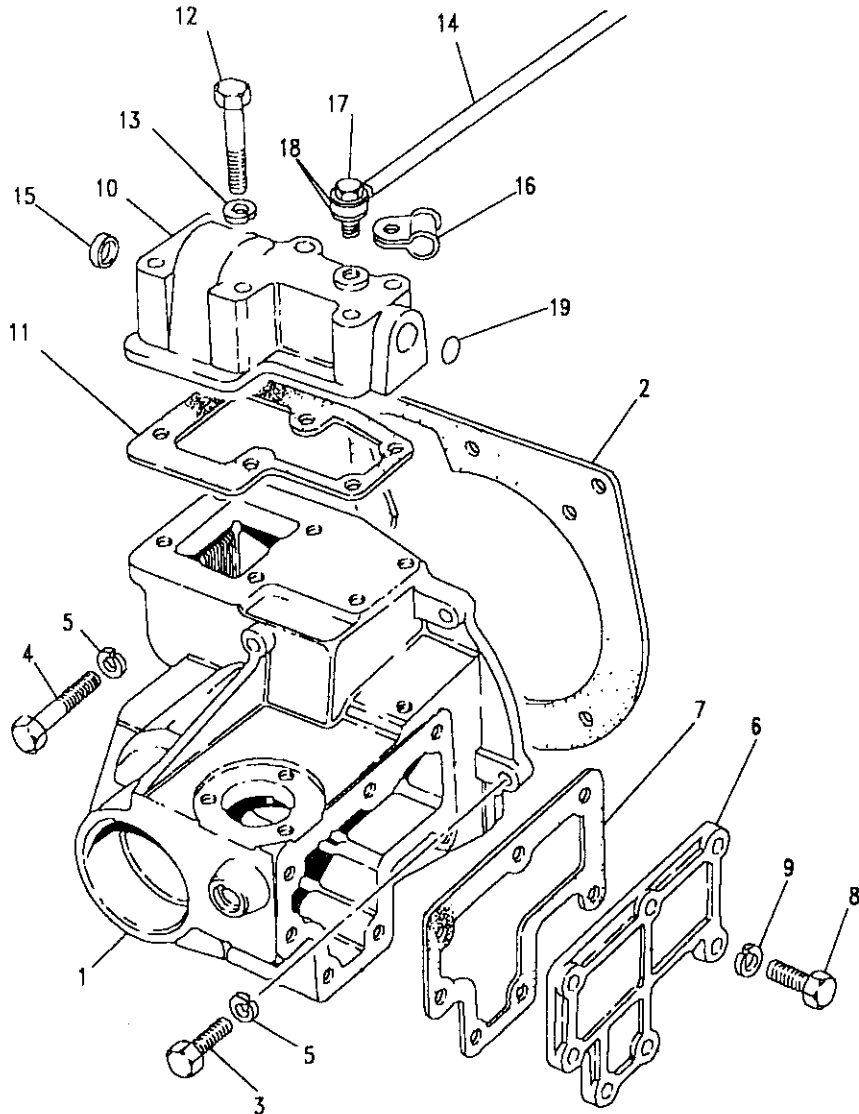


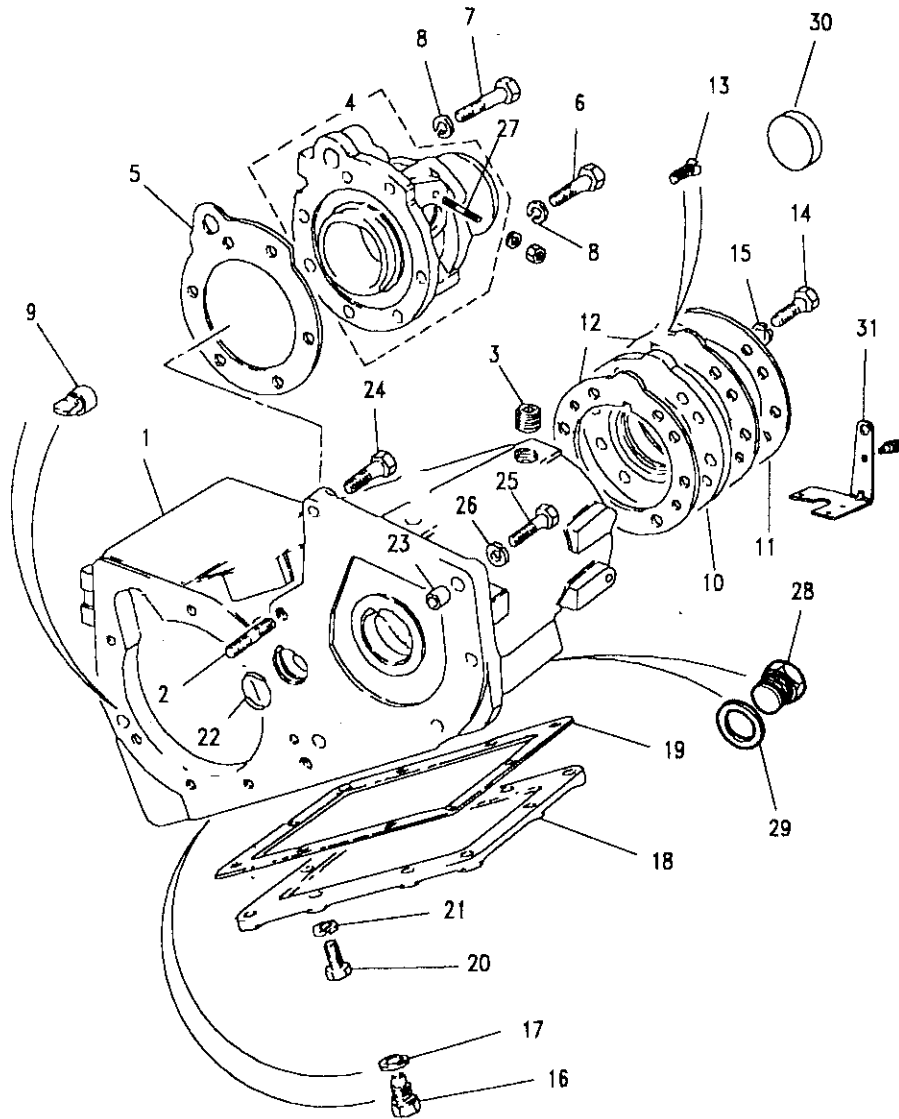
**Model** DEFENDER 110 1987 onwards  
**Page** AFDBCA1A

**TRANSFER GEARBOX - HOUSING - 4CYL/LT77S**

III. Part No.	Description	Qty	Remarks
1	FRC8299	1	Note(1)
	FTC4178	1	Note(2)
2	FRC6103	1	Note(3,4)
3	FB108061	7	
4	BH108181L	1	
5	WA108051L	8	
6	FRC6104	1	
7	FRC6105	1	Note(3)
8	SH108251L	7	
9	WA108051L	7	
10	FRC6106	1	
11	FRC7998	1	Note(3)
12	FB108111L	6	
13	WA108051L	6	
14	FRC9427	1	
15	FRC7930	1	
16	BAU1689	1	
17	595478	1	
18	232039	2	
19	FRC5575	2	

Note(1) For housing with gasket joint.  
 Note(2) For housing with liquid joint.  
 Note(3) Part of gasket kit RTC3890  
 Note(4) Use with FRC8299





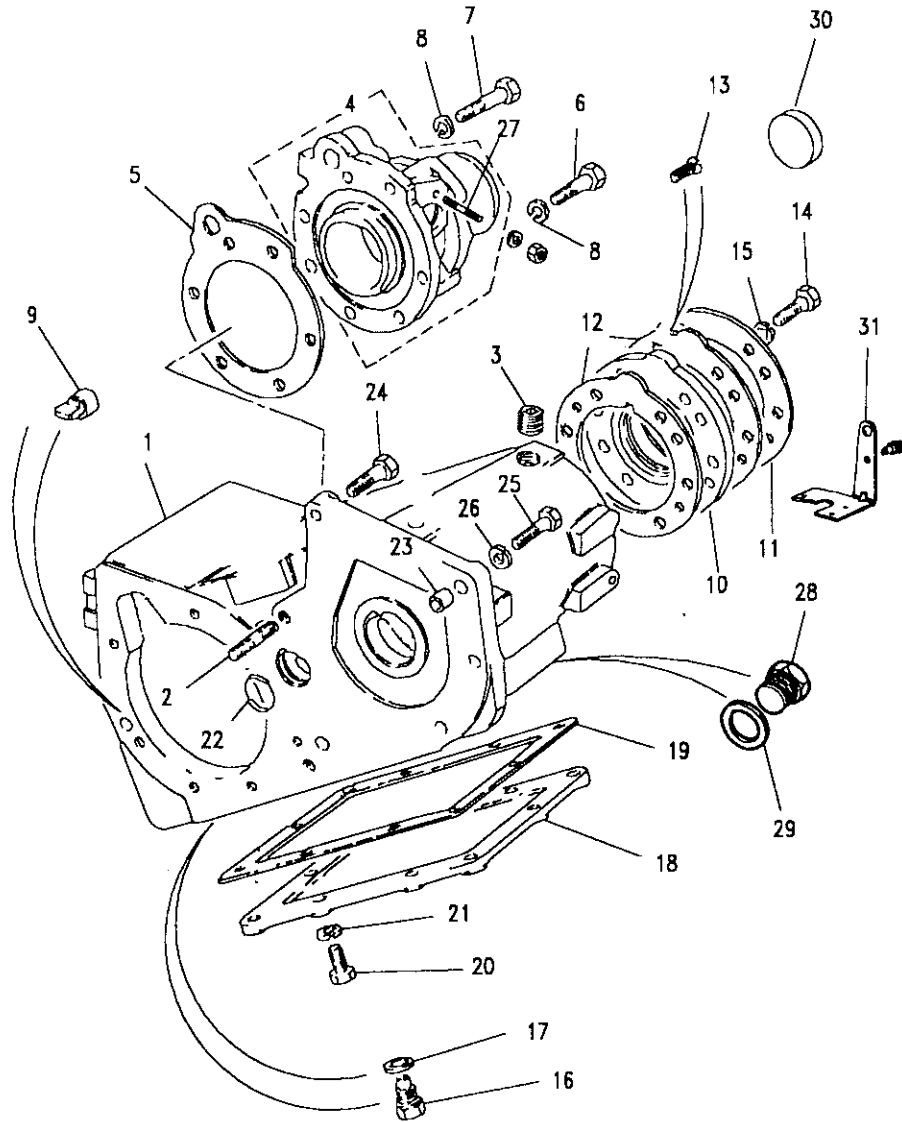
**Model** DEFENDER 110 1987 onwards  
**Page** AFDBEA1A

**TRANSFER GEARBOX - SPEEDO HOUSING - 4CYL/LT77S**

III. Part No.	Description	Qty	Remarks
1	FRC8290	1	uptoMARCH1990
	FTC1748	1	fromMARCH1990
2	FRC5595	2	
3	608246	2	
4	FRC7447	1	Upto 22D309416E
	FTC4187	1	From 22D309417E
5	FRC5409	1	Note(1)
			From 22D309417E
6	SH110301L	5	Upto 20D299332E
	FS108251M	5	From 20D299333E
7	BH110091L	1	Upto 20D299332E
	FB110091M	1	From 20D299333E
8	WA110061L	6	Upto 20D299332E
9	FRC5594	1	
10	FRC6943	1	
11	FTC2061	1	
	FRC9926	1	
	FRC9963	1	
12	FRC5413	2	Note(1)
13	SF108251L	2	
14	BH110071L	6	Upto 20D299332E
	FB110071M	6	From 20D299333E
15	WA110061L	6	Upto 20D299332E
16	599552	1	
17	FRC4808	1	Note(1)

Note(1) Part of gasket kit RTC3890





**Model** DEFENDER 110 1987 onwards  
**Page** AFDBEA1A

**TRANSFER GEARBOX - SPEEDO HOUSING - 4CYL/LT77S**

Ill. Part No.	Description	Qty	Remarks
18	FRC5415	1	Cover
19	FRC5416	1	Washer joint
20	FB108061	10	Flange bolt
21	WA108051L	10	Washer
22	FRC8292	1	'O'ring
23	FRC2482	1	Dowel-hollow
24	BH110081L	3	Bolt
	FB110081M	2	Bolt flanged
	FN110041	1	Nut flanged
	FTC1919	1	Stud
25	BH110091L	1	Bolt
	FB110091M	1	Bolt flanged
26	WL110001L	6	Washer
27	571536	1	Stud-cable retainer
28	SH214141	1	Screw M14
29	232042	1	Washer joint
30	602146	1	Plug-cover power take/off
31	ANR3625	1	Bracket harness trans box

Note(1) Part of gasket kit RTC3890



DEFENDER 110 1987 onwards

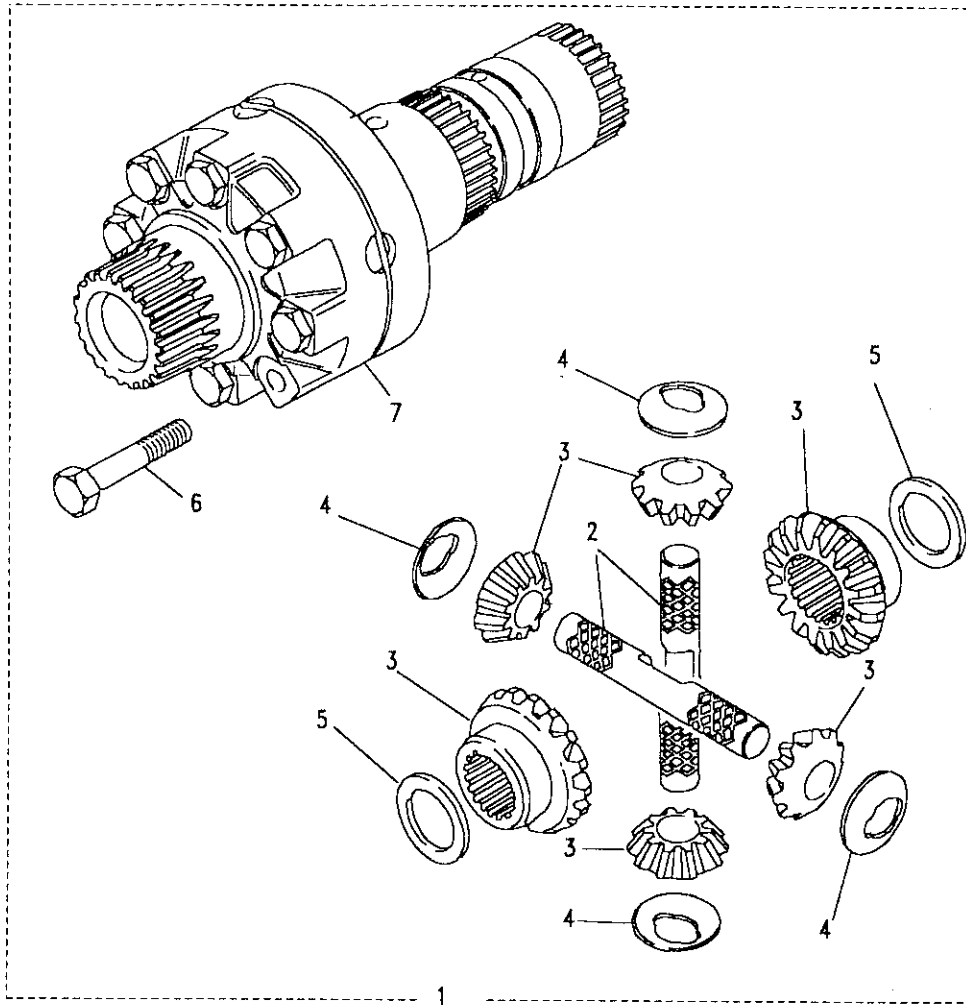
365

TRANSFER BOX

**Model** DEFENDER 110 1987 onwards  
**Page** AFDBGA1A

**TRANSFER GEARBOX - DIFFERENTIAL - 4CYL/LT77S**

III. Part No.	Description	Qty	Remarks
1	FRC7926	1	Differential assembly
2	RTC3397	1	Kit cross shaft
3	RTC4490	1	Gears balanced set
4	FRC6968	4	Washer thrust
5	SELECTIVE THRUST WASHER		
	FRC6956		1.05mm A/R
	FRC6958		1.15mm A/R
	FRC6960		1.25mm A/R
	FRC9851		1.35mm A/R
	FRC9853		1.45mm A/R
6	BH110121L	8	Bolt-differential case
7	FRC7499	1	Ring retainer



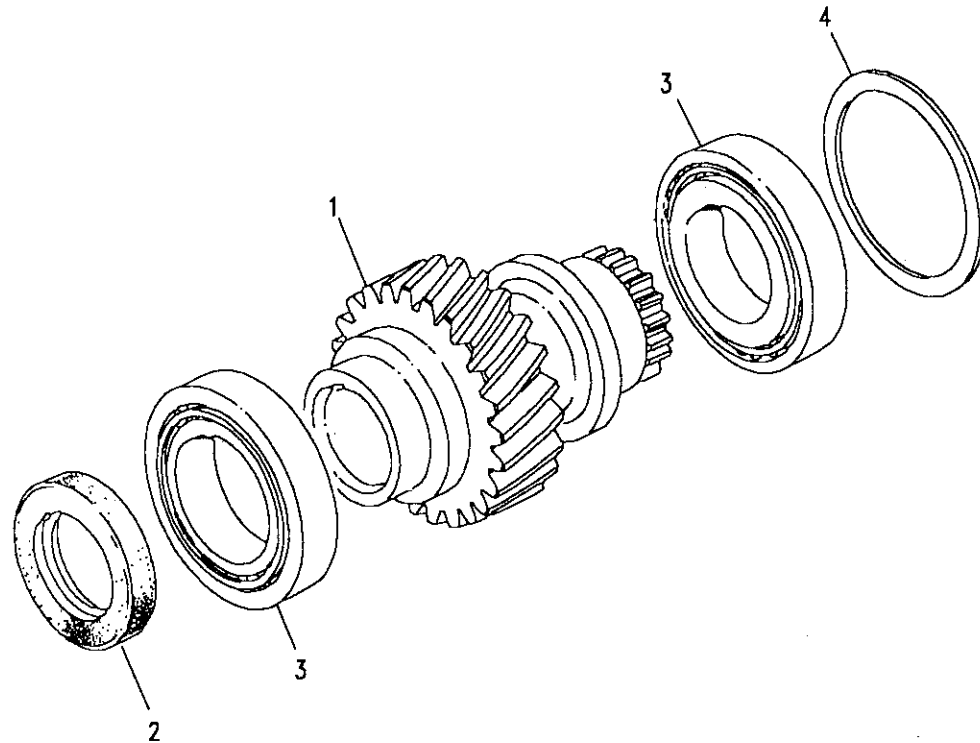


**Model** DEFENDER 110 1987 onwards  
**Page** AFDBIA1A

## TRANSFER GEARBOX - MAINSHAFT - 4CYL/LT77S

III. Part No.	Description	Qty	Remarks
1	FRC8917	1	Note(1)
	FTC4188	1	Note(2)
2	FRC2365	1	Note(3)
3	FRC5564	2	
4	SELECTIVE SHIMS		
	FRC9926	A/R	3.15mm
	FRC9928	A/R	3.20mm
	FRC9930	A/R	3.25mm
	FRC9932	A/R	3.30mm
	FRC9934	A/R	3.35mm
	FRC9936	A/R	3.40mm
	FRC9938	A/R	3.45mm
	FRC9940	A/R	3.50mm
	FRC9942	A/R	3.55mm
	FRC9944	A/R	3.60mm
	FRC9946	A/R	3.65mm
	FRC9948	A/R	3.70mm
	FRC9950	A/R	3.75mm
	FRC9952	A/R	3.80mm
	FRC9954	A/R	3.85mm
	FRC9956	A/R	3.90mm
	FRC9958	A/R	3.95mm
	FRC9960	A/R	4.00mm
	FRC9962	A/R	4.05mm

Note(1) Up to LA939975  
 Note(2) From MA939976  
 Note(3) Part of gasket kit RTC3890





DEFENDER 110 1987 onwards

367

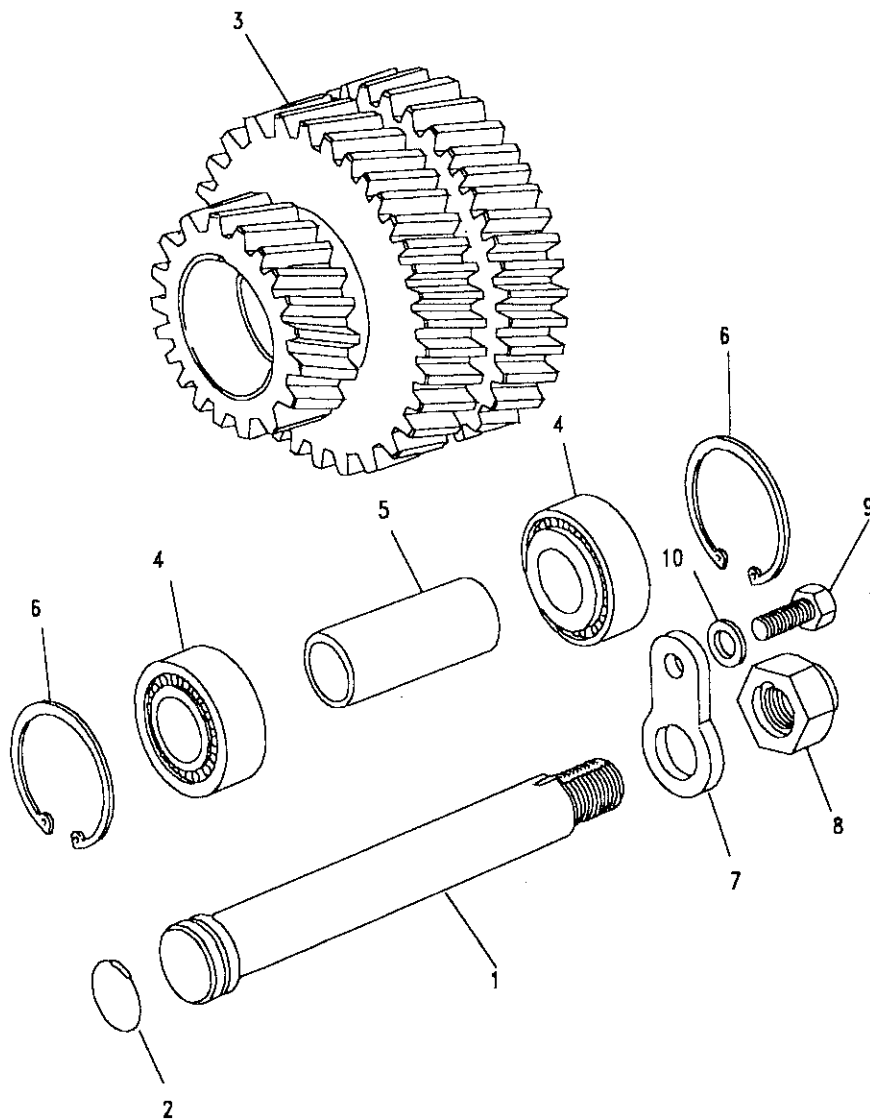
TRANSFER BOX

**Model** DEFENDER 110 1987 onwards  
**Page** AFDBIA2A

**TRANSFER GEARBOX - INTERMEDIATE SHAFT - 4CYL/LT77S**

III. Part No.	Description	Qty	Remarks
1	FRC8291 Intermediate shaft	1	
2	FRC7439 'O'ring shaft	1	Note(1)
3	FRC9462 Gear-inter	1	20D
	FRC7884 Gear-inter	1	22DsuffixB
	FRC9460 Gear-inter	1	22DsuffixC
4	FRC7810 Bearing	2	
5	FRC7437 Spacer-collapsible	1	
6	FRC7454 Circlip	2	
7	FRC7452 Plate-anti rotation	1	
8	FRC7453 Nut-intermediate shaft	1	
9	FS108201L Screw	1	
10	WA108051L Washer	1	

Note(1) Part of gasket kit RTC3890





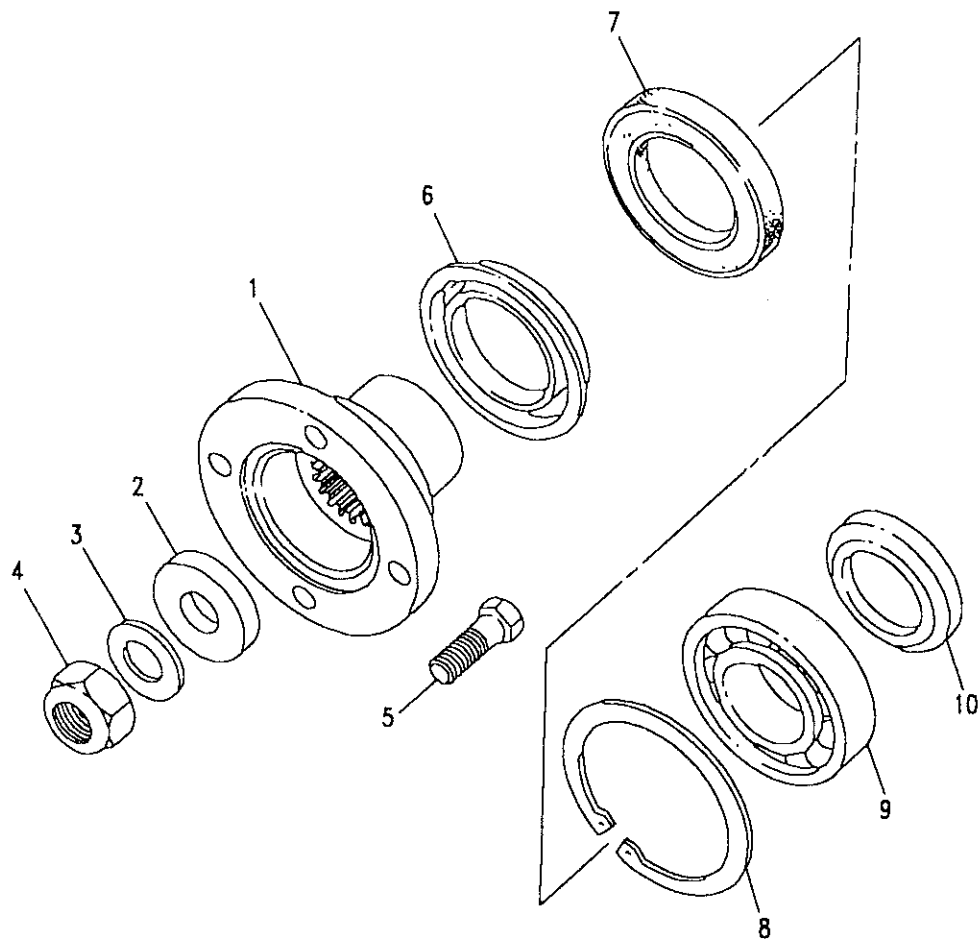


Model DEFENDER 110 1987 onwards  
Page AFDBIA3A

TRANSFER GEARBOX - FRONT FLANGE - 4CYL/LT77S

III. Part No.	Description	Qty	Remarks
1	FRC5442	1	Flange-front output
2	FRC2464	2	Washer sealing
3	571468	1	Washer shaft
4	NY120041L	1	Nut-shaft
5	BT606101L	4	Bolt-flange
6	FRC6121	1	Mudshield
7	FRC7043	2	Seal oil
8	216962	1	Circlip
9	STC1130	1	Bearing
10	FRC5439	1	Spacer

Note(1) Part of gasket kit RTC3890





DEFENDER 110 1987 onwards

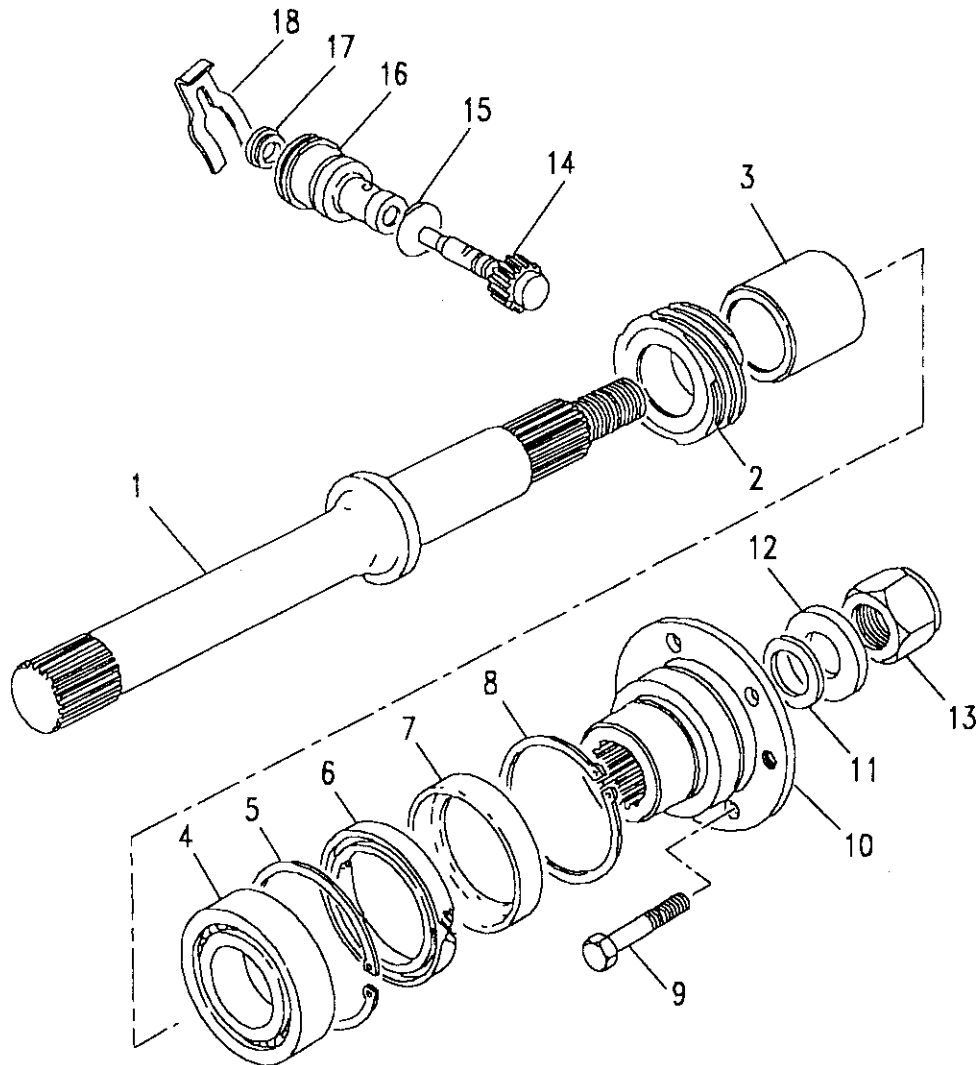
369

TRANSFER BOX

Model DEFENDER 110 1987 onwards

Page AFDBIA4A

TRANSFER GEARBOX - REAR FLANGE - 4CYL/LT77S



III. Part No.	Description	Qty	Remarks
1 FRC5450	Shaft-rear output	1	
2 FRC3162	Worm speedo	1	
3 FRC5446	Spacer-speedo worm	1	
4 STC1130	Bearing	1	
5 216962	Circlip	1	
6 FRC7043	Seal oil	1	Note(1)
7 571970	Shield oil	1	
8 571682	Circlip	1	
9 FRC3602	Bolt	4	
10 FRC5438	Flange-rear output	1	
11 FRC2464	Washer sealing	1	Note(1)
12 571468	Washer	1	
13 NY120041L	Nut	1	
14 FRC3310	Gear speedo drive	1	20D/22D
15 571665	O'ring	1	Note(1)
16 FRC3286	Housing speedo spindle	1	
17 AAU2304	Seal oil	1	Note(1)
18 533765	Plate-retaining	1	

Note(1) Part of gasket kit RTC3890

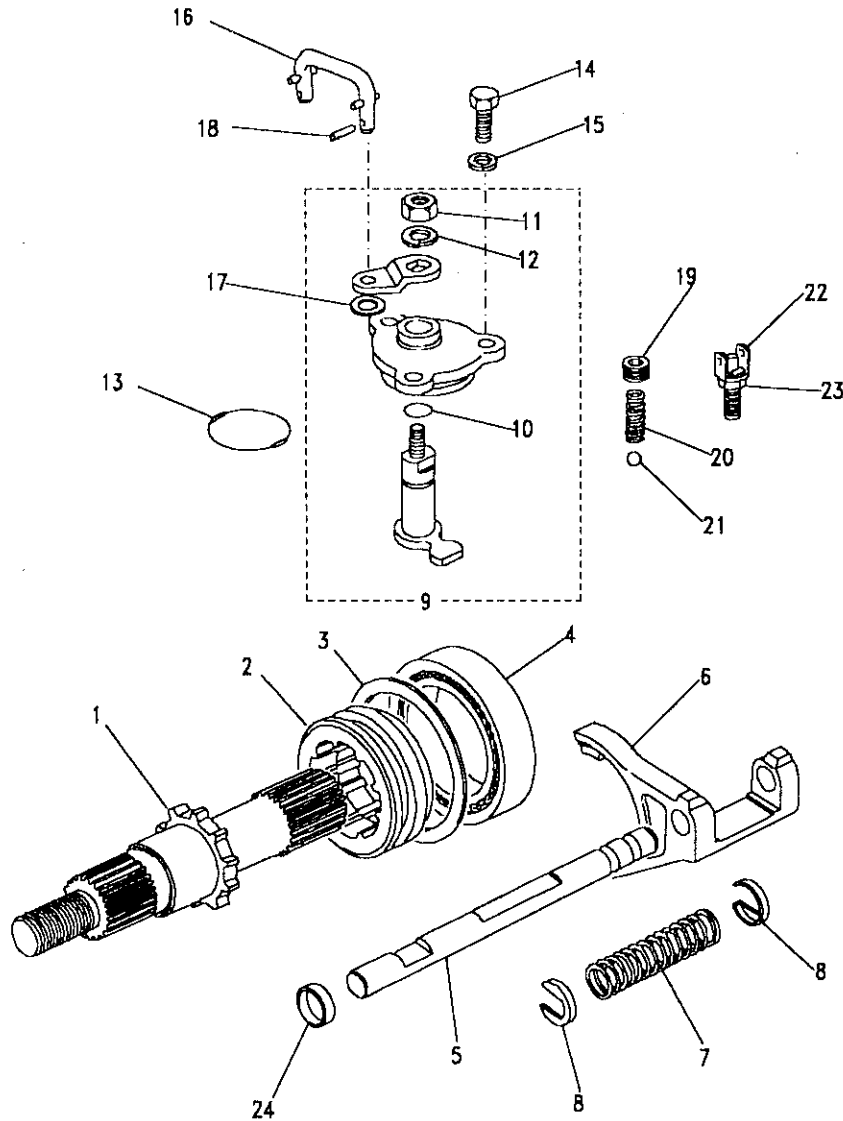




Model DEFENDER 110 1987 onwards  
Page AFDBIA5A

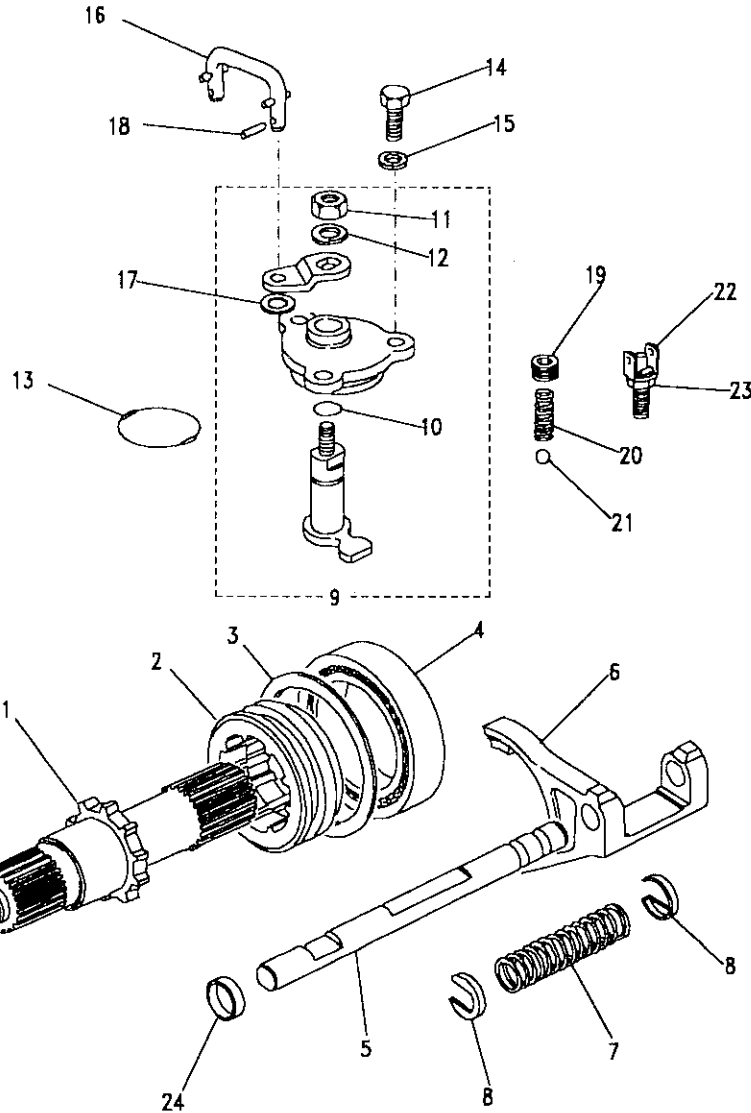
TRANSFER GEARBOX - FRONT OUTPUT SHAFT - 4CYL/LT77S

III. Part No.	Description	Qty	Remarks
1	FRC5449	1	Shaft-front output
2	FRC5440	1	Dog clutch-front drive
	FRC5575	1	'O'Ring-dog clutch
3	SELECTIVE SHIMS	1	
	FTC726	1	&2.00mm
	FTC278	1	Washer
	FTC730	1	&2.10mm
	FTC732	1	&2.15mm
	FTC734	1	&2.20mm
	FTC736	1	&2.25mm
	FTC738	1	&2.30mm
	FTC740	1	&2.35mm
	FTC742	1	&2.40mm
	FTC744	1	&2.45mm
	FTC746	1	&2.50mm
	FTC748	1	&2.55mm
	FTC750	1	&2.60mm
	FTC752	1	&2.65mm
	FTC754	1	&2.70mm
	FTC756	1	&2.75mm
	FTC758	1	&2.80mm
	FTC760	1	&2.85mm
	FTC762	1	&2.90mm
	FTC764	1	&2.95mm
	FTC766	1	&3.00mm
	FTC768	1	&3.05mm
	FTC770	1	&3.10mm
	FTC772	1	&3.15mm
	FTC774	1	&3.20mm
	FTC776	1	&3.25mm



**Model** DEFENDER 110 1987 onwards  
**Page** AFDBIA5A

**TRANSFER GEARBOX - FRONT OUTPUT SHAFT - 4CYL/LT77S**



III. Part No.	Description	Qty	Remarks
4	FRC7871 Bearing-taper	1	
5	FRC6030 Shaft selector-diff lock	1	
6	FRC6109 Fork selector-diff lock	1	
7	FRC5468 Spring-diff lock	1	
8	FRC5469 Clip-spring	2	
9	FRC8041 Housing assembly	1	
10	FRC5576 'O'Ring	1	
11	NY108041L Nut	1	
12	WA108051L Washer	1	
13	FRC5473 'O'Ring	1	
14	SH108251L Bolt	3	
	FS108251ML Bolt flanged	3	Note(1)
15	WA108051L Washer	3	
16	FRC8544 Link connecting	1	
	FTC3698 Link connecting	1	Note(2)
17	WA106041L Washer	2	
18	PS103121L Split pin	2	
	FTC3674 Clip retaining	2	Note(2)
19	SU112101L Plug-detent	1	
	SU112101M Plug-indent	1	Note(1)
20	FRC5562 Spring-detent	1	
21	571146 Ball-detent	1	
22	PRC2911 Switch-diff lock	1	
23	NT110041L Lock nut-switch	1	
24	FRC6110 Plug-selector shaft	1	

Note(1) From 28D274402E (patchlock thread)  
 Note(2) From 28D274898E (spring clip retainer)



Model DEFENDER 110 1987 onwards

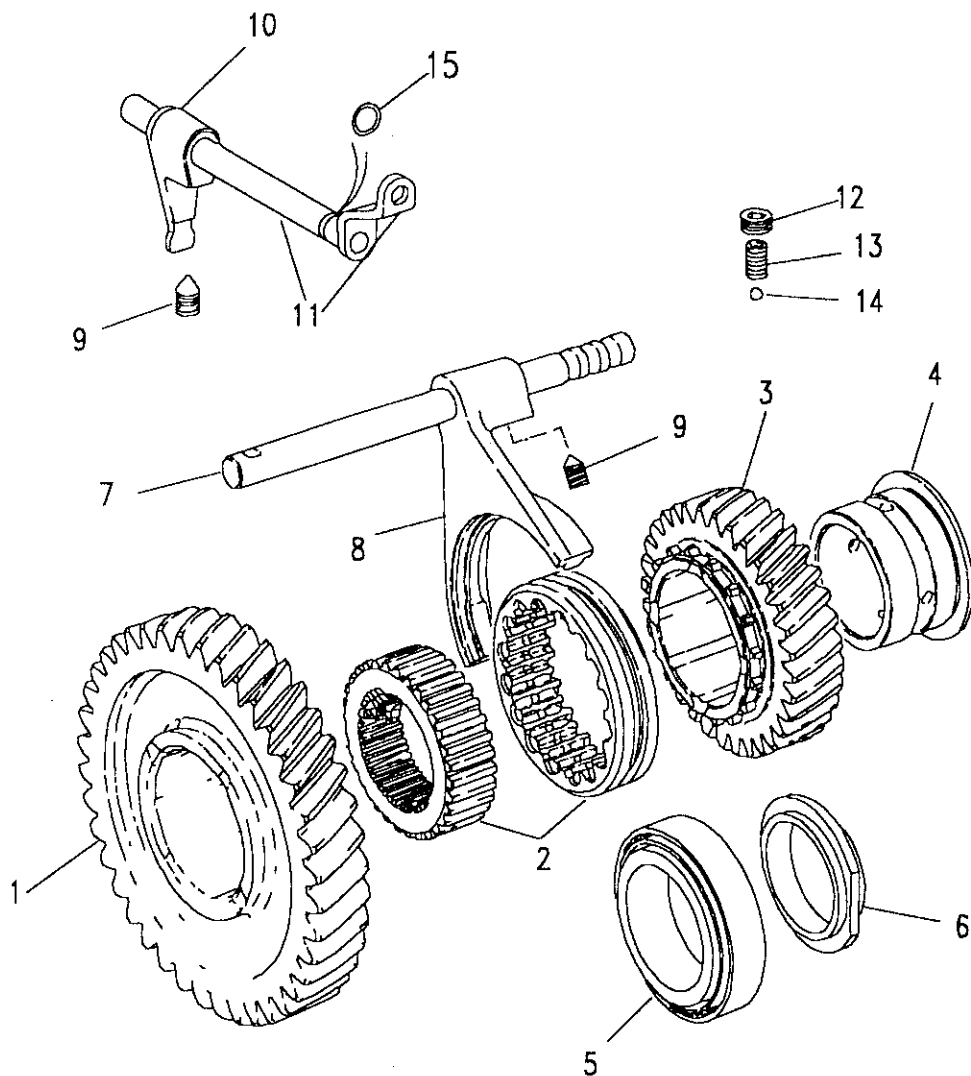
Page AFDBKA1A

## TRANSFER GEARBOX - HIGH LOW GEARS - 4CYL/LT77S

III. Part No.	Description	Qty	Remarks
1	FRC7434	1	Gear low
	FTC1084	1	Gear low
2	RTC4373	1	Sleeve and hub assembly
	FTC382	1	Sleeve and hub assembly
3	FRC7427	1	Gear high
	FRC7885	1	Gear high
	FTC1741	1	Gear high
4	FRC7441	1	Bush
5	606474	1	Bearing
6	FRC7970	1	Nut-bearing-retainer
7	FRC9513	1	Shaft-selector-high/low
8	FTC2859	1	Fork-selector high/low
9	FRC7018	1	Screw-selector fork
10	FRC7929	1	Selector finger
11	FRC8900	1	Arm operating-high/low
12	FRC9549	1	Plug-detent
13	FRC9546	1	Spring-detent
14	571146	1	Ball-detent
15	FRC5575	2	'O'ring

Note(1)

Part of gasket kit RTC3890

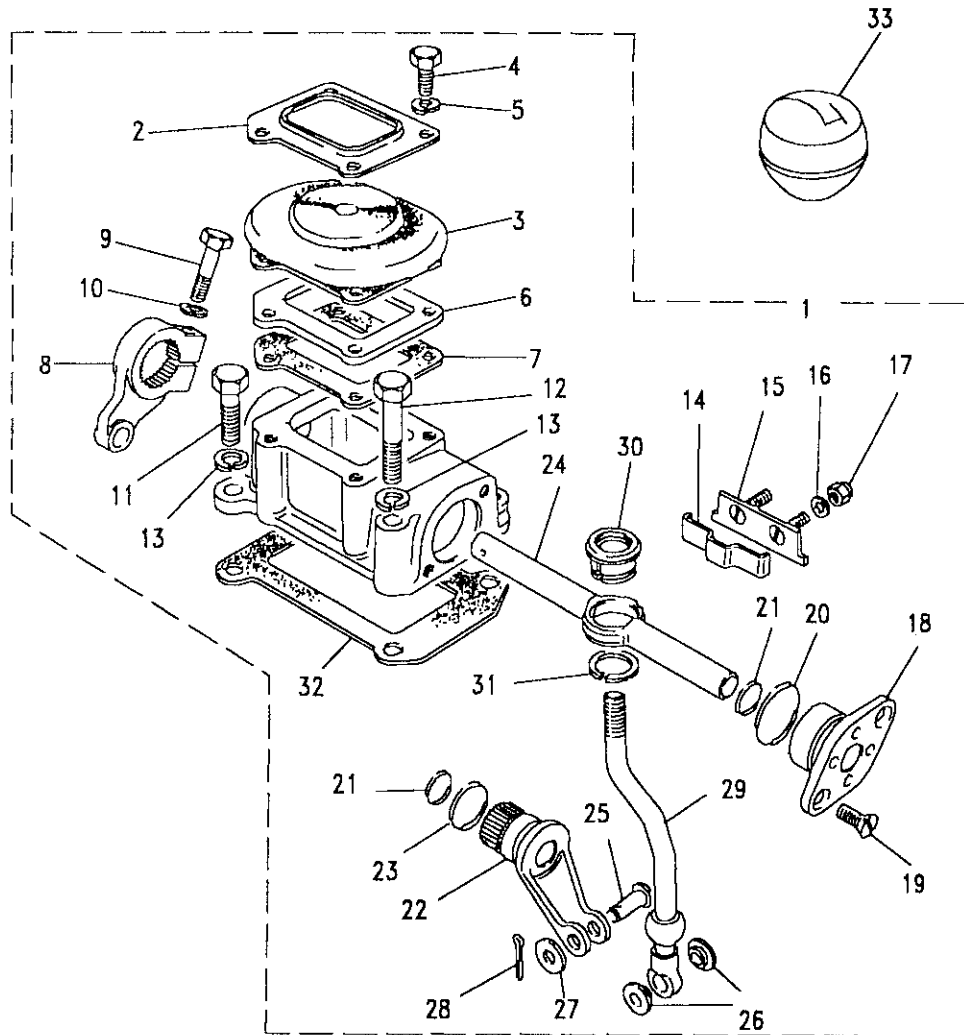


Model DEFENDER 110 1987 onwards  
 Page AFDBMA1A

TRANSFER GEARBOX - GEAR CHANGE - 4CYL/LT77S

Ill. Part No.	Description	Qty	Remarks
1	FRC9555 Gear change assembly	1	
2	FRC6873 Plate	1	
3	FRC6872 Grommet	1	
4	FS106201L Screw	4	
5	WA106041L Washer	4	
6	FRC8561 Gate Plate	1	
7	FTC4037 Gasket	1	Note(1)
8	FRC5478 Arm operating	1	
9	BH106051L Bolt M6X25	1	
10	FS106251 Bolt flanged M6X25	1	
11	WA106041L Washer	1	
12	FS108251ML Screw	1	
13	BH108111L Bolt	2	
14	FB108111L Bolt flanged	2	
15	WL108001L Washer spring	4	
16	RTC1956 Detent spring	1	
17	FRC6125 Retainer-spring	1	
18	WA105001L Washer	2	
19	NY105041L Nut	2	
20	FRC5574 Cover end	1	

Note(1) Part of gasket kit RTC3890



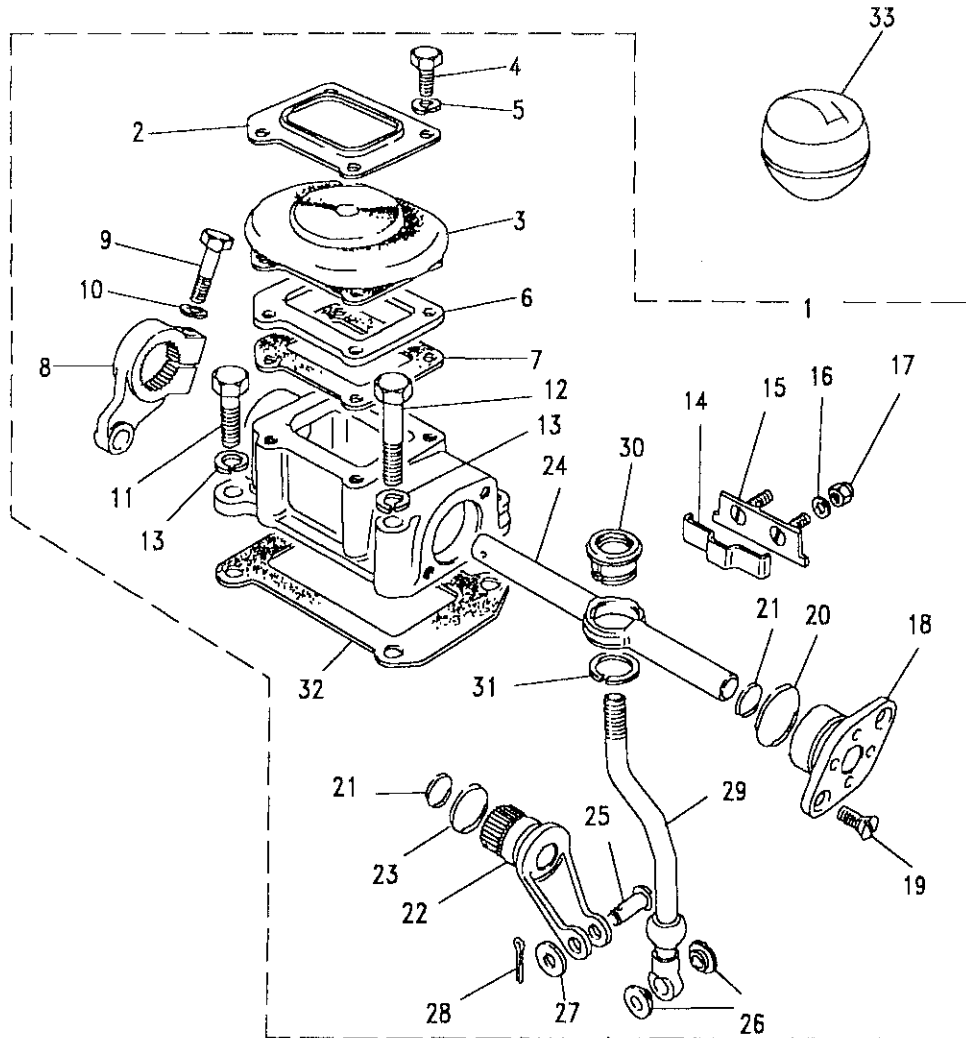


Model DEFENDER 110 1987 onwards  
 Page AFDBMA1A

TRANSFER GEARBOX - GEAR CHANGE - 4CYL/LT77S

Ill. Part No.	Description	Qty	Remarks
19	SF106201L Screw	2	
20	FRC8292 'O'ring	1	Note(1)
21	FRC4509 'O'ring	2	Note(1)
22	FRC5480 Arm crank	1	
23	FRC5479 'O'ring	3	Note(1)
24	FRC8203 Cross shaft	1	
25	FRC8766 Clevis pin	1	
26	FRC4499 Bush	2	
27	WA108051L Washer	1	
28	PS104127L Pin-split	1	
29	FRC7487 Lever-gear change	1	
30	FRC5076 Seat	1	
31	CR120215 Circlip-seat	1	
32	FTC4036 Gasket	1	
	FRC7930 Plug-housing	1	
33	FRC6595 Knob	1	Upto LA935624
	FTC3852 Knob	1	From LA935625

Note(1) Part of gasket kit RTC3890





DEFENDER 110 1987 onwards

375

TRANSFER BOX

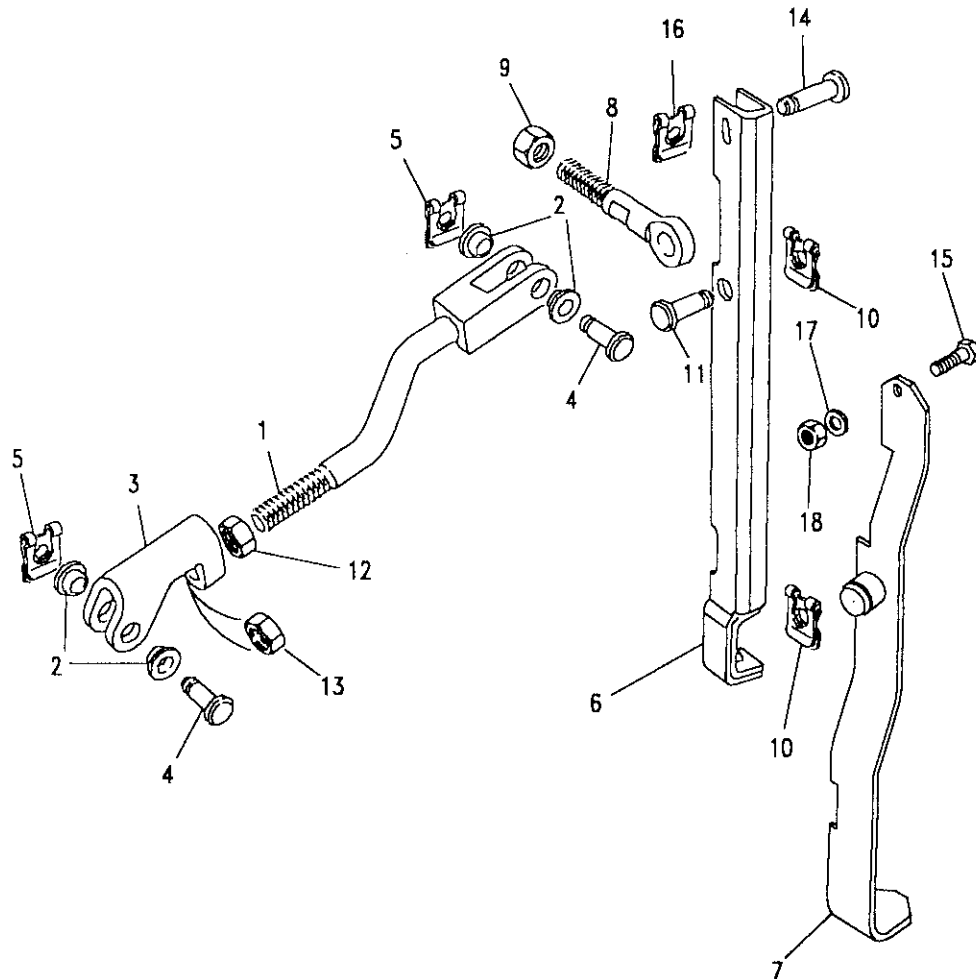
Model DEFENDER 110 1987 onwards

Page AFDBMA2A

TRANSFER GEARBOX - ROD ASSEMBLY - 4CYL/LT77S

III. Part No.	Description	Qty	Remarks
1	FRC6000 Rod connecting assembly	1	
2	FRC4499 Bush	4	
3	FRC8075 Clevis	1	
4	FRC8767 Clevis pin	2	
5	FRC8548 Clip safety-clevis	2	
6	FRC8204 Arm diff lock	1	Note(1)
7	FTC4095 Arm diff lock	1	Note(2)
8	FRC8202 Pivot pin	1	
9	NH108041L Nut	1	
10	FRC8548 Clip safety	2	
11	FRC8547 Clevis pin	1	
12	NY108041L Nut	1	
13	NT108041L Nut	1	
14	FRC8768 Clevis pin	1	Note(1)
15	FB105051L Bolt M5	1	Note(2)
16	FRC8769 Clip safety	1	Note(1)
17	WA106041L Washer	1	Note(2)
18	NY105041 Nut	1	Note(2)

Note(1) Up to LA939975  
 Note(2) From MA939976







DEFENDER 110 1987 onwards

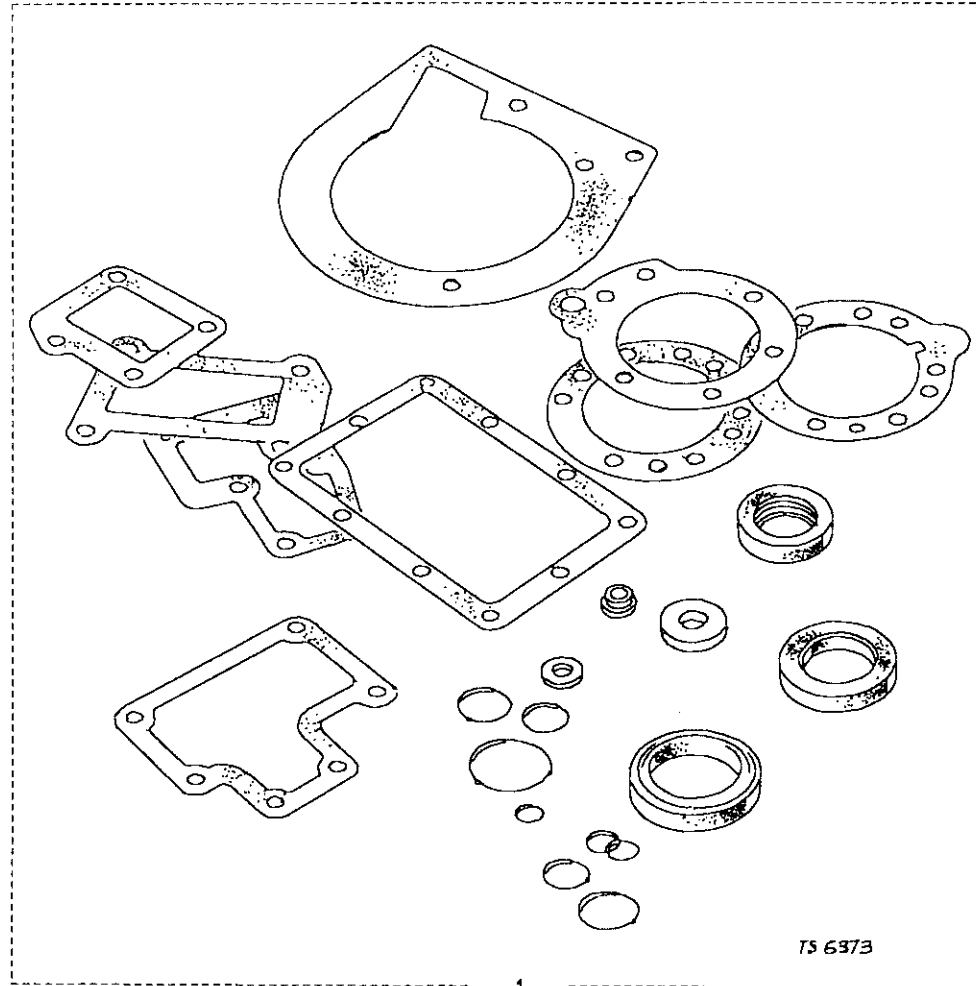
376

TRANSFER BOX

Model DEFENDER 110 1987 onwards  
Page AFDBPA1A

TRANSFER GEARBOX - GASKET KIT - 4CYL/LT77S

III. Part No.	Description	Qty	Remarks
1 RTC3890	Kit gasket and seal	1	





DEFENDER 110 1987 onwards

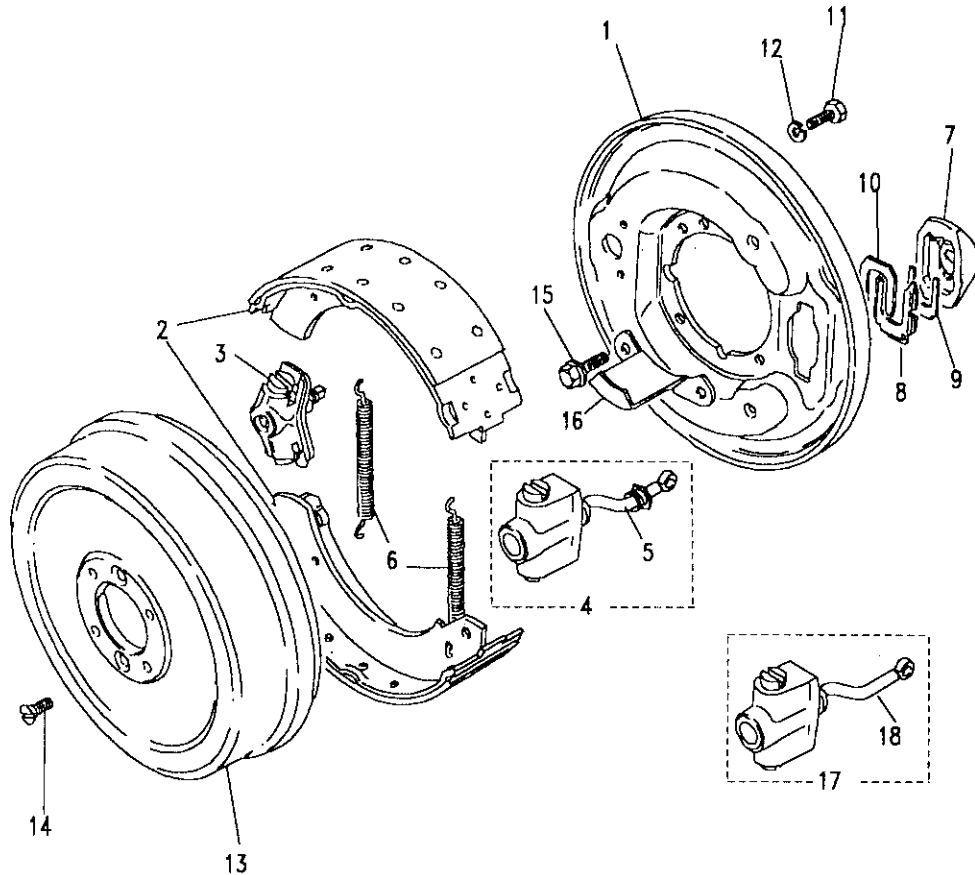
377

TRANSFER BOX

Model DEFENDER 110 1987 onwards

Page AFDBRA1A

TRANSFER GEARBOX - TRANSMISSION BRAKE - 4CYL/LT77S



III. Part No.	Description	Qty	Remarks
<b>Up to 20D290863E,22D290863</b>			
1	AEU2733	1	) Back plate
2	RTC3403	1	) Brake shoe set
3	37H4558L	1	) Adjuster assembly
	8G7019L	1	) Kit-adjuster
1	STC963	1	) Back plate
2	RTC6179	1	) Brake shoe set
3	STC244	1	) Adjuster assembly
	STC245	1	) Kit-adjuster
4	AEU2734	1	) Expander assembly
	AEU2735	1	) Kit-expander
5	AEU2736	1	) Drawlink-with locknut
6	FRC8549	2	) Spring-shoe return(green)
6	STC246	1	) Spring-shoe return-PAIR
7	515466	1	) Cover dust
8	515467	1	) Plate-locking
9	515470	1	) Plate-packing
10	515468	1	) Plate-spring
11	AEU2737	2	) Bolt
12	AEU2738	2	) Washer
13	FRC3502	1	) Drum brake
14	SA108201L	2	) Screw-fixing drum
15	AFU1400	4	) Bolt-transmission brake
16	FRC8093	1	) Oil catcher
17	AEU2734	1	) Expander assembly
18	STC964	1	) Drawlink

Note(1) When ordering AEU2734 the NEW TYPE drawlink will be supplied.

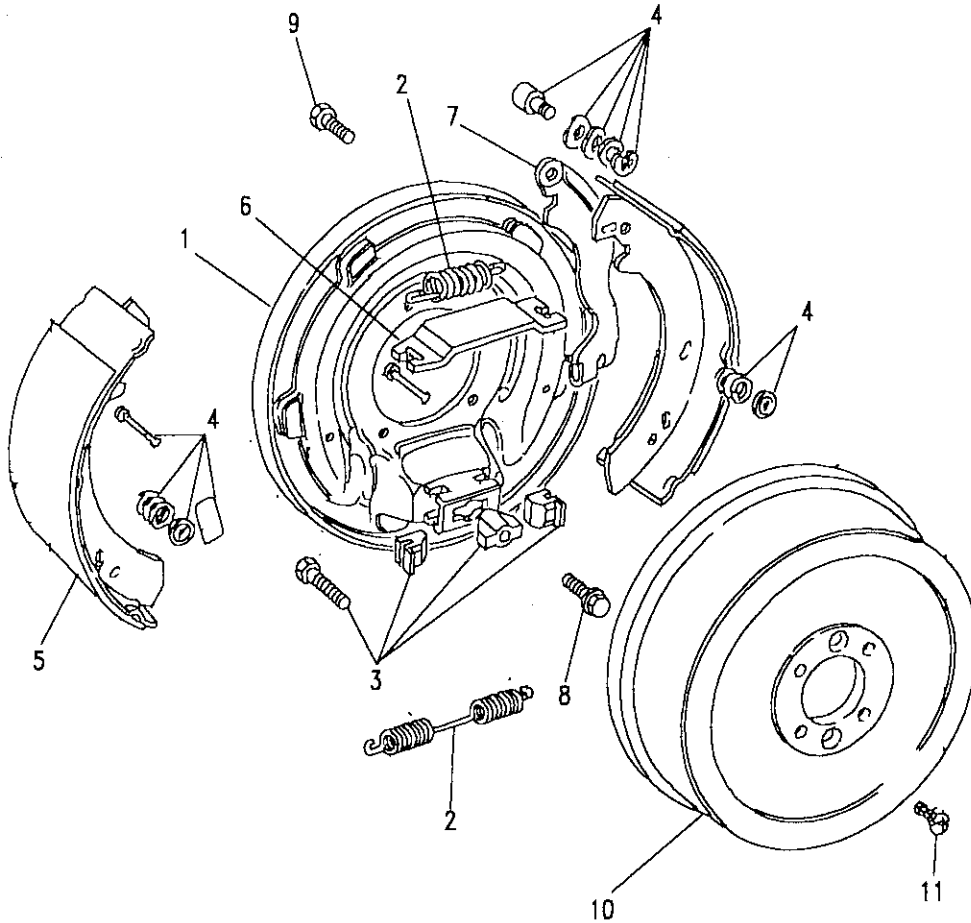




Model DEFENDER 110 1987 onwards  
Page AFDBRA2A

TRANSFER GEARBOX - TRANSMISSION BRAKE - 4 CYL/LT77S

Ill. Part No.	Description	Qty	Remarks
From 20D290864E,22D290864			
1	STC1533	1	Backplate
2	STC1526	1	Kit brake springs
3	STC1527	1	Kit adjuster brake
4	STC1532	1	Kit brake shoe retention
5	STC1525	1	Brake shoe kit
6	STC1536	1	Cross shaft
7	STC1538	1	Lever brake shoe
8	AFU1400	4	Bolt
9	SF108201L	1	Screw M8 20
10	FRC3502	1	Drum brake
11	SA108201L	2	Screw





## MASTER INDEX

	PAGES
INTRODUCTION PAGES	1 - 7
ALPHABETICAL INDEX	8 - 16
ENGINE	17 - 66
ENGINE	67 - 119
ENGINE	120 - 166
ENGINE	167 - 209
ENGINE	210 - 245
ENGINE	246 - 299
GEARBOX	300 - 326
GEARBOX	327 - 344
GEARBOX	345 - 359
TRANSFER BOX	360 - 378
TRANSFER BOX	379 - 397
AXLES AND SUSPENSION	398 - 444
STEERING	445 - 471
VEHICLE AND ENGINE CONTROLS	472 - 486
BRAKES	487 - 517
FUEL SYSTEM AND AIR CLEANER	518 - 579
EXHAUST SYSTEM	580 - 593
COOLING/HEATING	594 - 637
COOLING/HEATING	638 - 641
COOLING/HEATING	642 - 649
COOLING/HEATING	650 - 655
COOLING/HEATING	656 - 666
BODY ELECTRICAL	667 - 740
BODY AND CHASSIS	741 - 909
INTERIOR TRIM	910 - 955
SEATS	956 - 1036
STOWAGE	1037 - 1046
ACCESSORIES - PAINTS	1047 - 1074
NUMERICAL INDEX	1076 - 1151

## GROUP D

## TRANSFER BOX

TRANSFER BOX	
TRANSFER ASSEMBLY - LT85	380
HOUSING - LT85	381 - 382
SPEEDO HOUSING - LT85	383 - 384
DIFFERENTIAL - LT85	385
MAINSHAFT - LT85	386
INTERMEDIATE SHAFT - LT85	387
FRONT FLANGE - LT85	388
FRONT OUTPUT SHAFT - LT85	389 - 390
REAR FLANGE - LT85	391
HIGH LOW GEARS - LT85	392
GEAR CHANGE - LT85	393 - 394
ROD ASSEMBLY - LT85	395
GASKET KIT - LT85	396
TRANSMISSION BRAKE - LT85	397





DEFENDER 110 1987 onwards

380

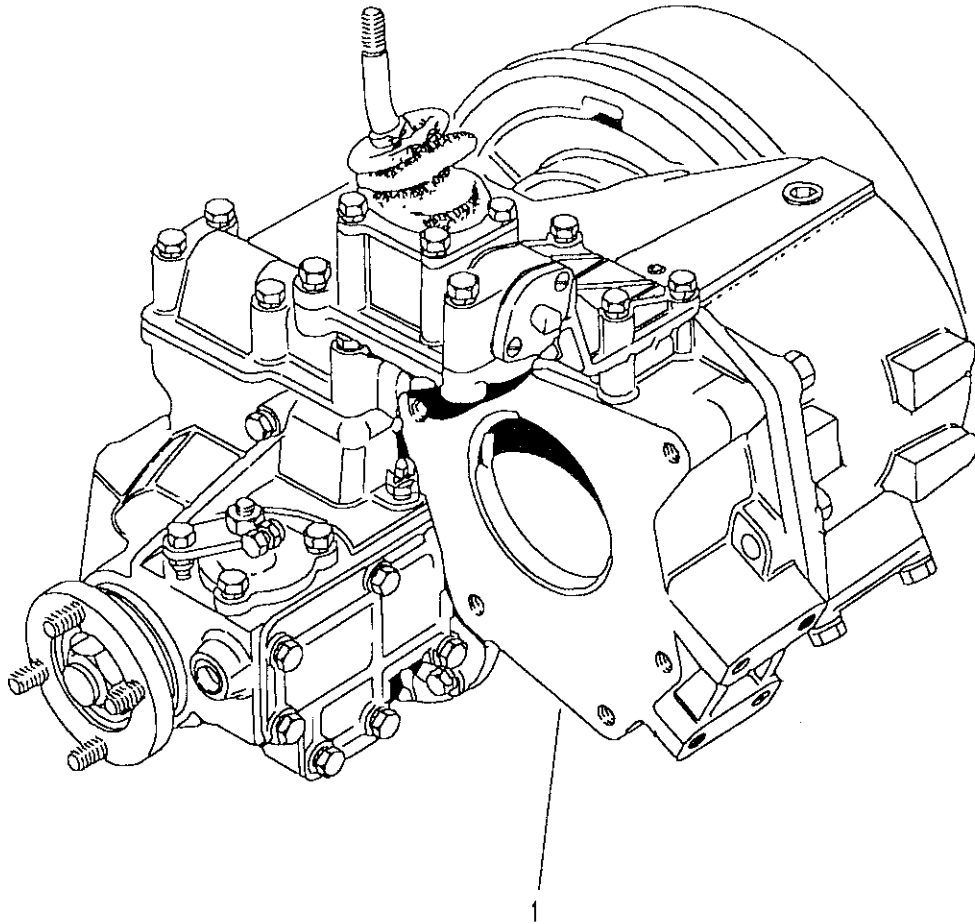
TRANSFER BOX

**Model** DEFENDER 110 1987 onwards  
**Page** AFDCAA1A

**TRANSFER GEARBOX - TRANSFER ASSEMBLY - LT85**

III. Part No.	Description	Qty	Remarks
1 FRC9468N	Transfer assembly	1	Note(1)

Note(1) Serial Number 25D fitted to LT85 gearbox



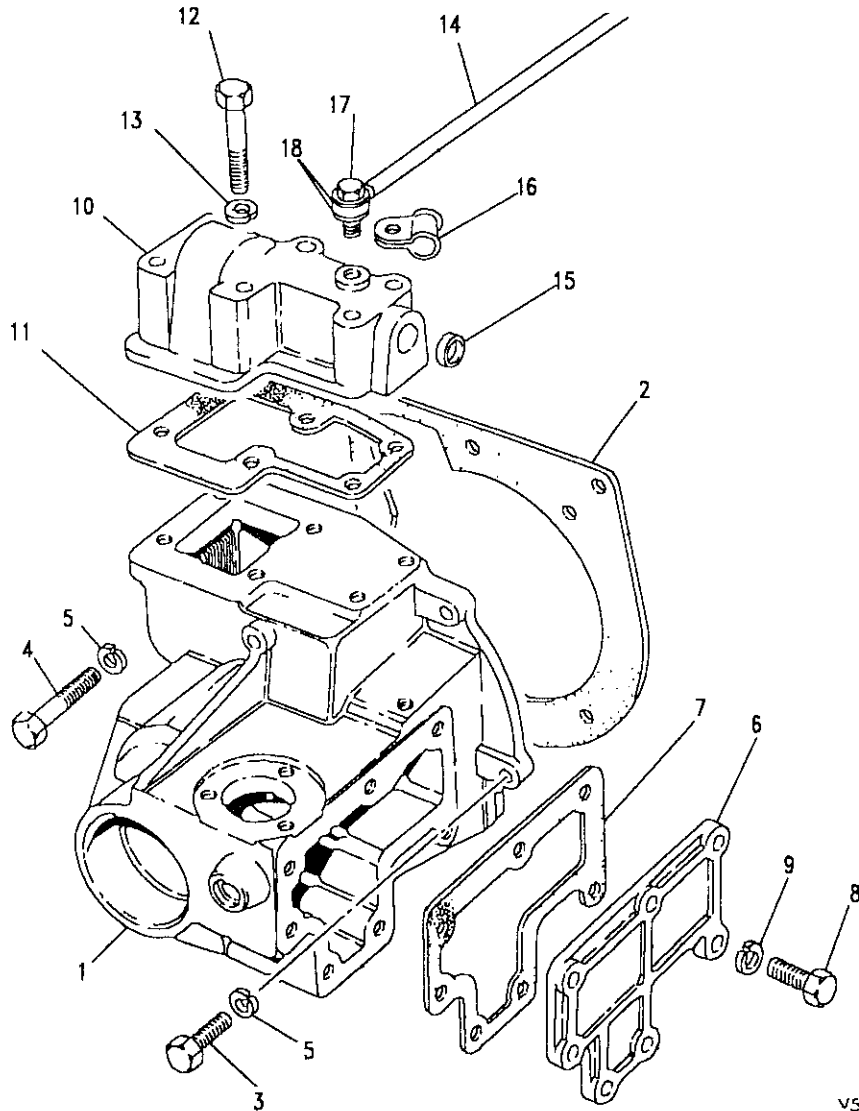


**Model** DEFENDER 110 1987 onwards  
**Page** AFDCCA1A

**TRANSFER GEARBOX - HOUSING - LT85**

III. Part No.	Description	Qty	Remarks
1	FRC8299	1	Note(1)
	FTC4178	1	Note(2)
2	FRC6103	1	Note(3)
3	FS108301L	7	
4	BH108181L	1	
5	WA108051L	8	
6	FRC6104	1	
7	FRC6105	1	Note(3)
8	SH108251L	7	
9	WA108051L	7	
10	FRC6106	1	
11	FRC7998	1	Note(3)
12	BH108111L	6	
	FB108111L	6	
13	WA108051L	6	
14	FRC167	1	
	BAU1689	1	

Note(1) Up to 28D327047E (paper gasket type)  
 Note(2) From 28D327048E (liquid gasket type)  
 Note(3) Part of gasket kit RTC3890



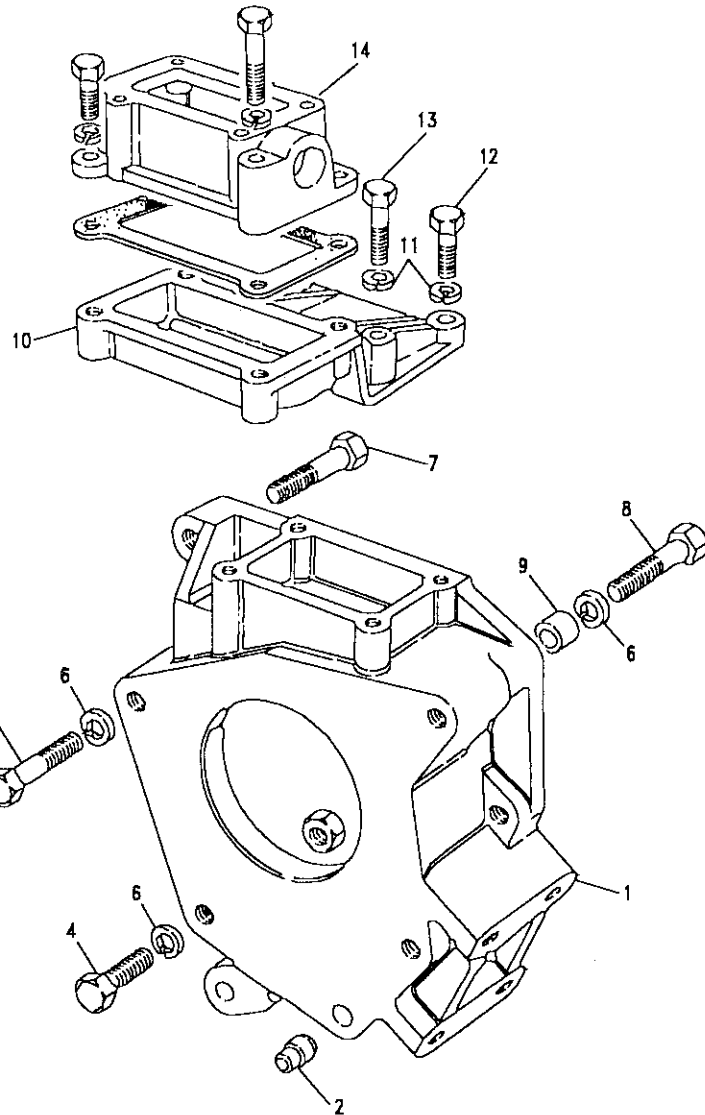
vs 3728/A





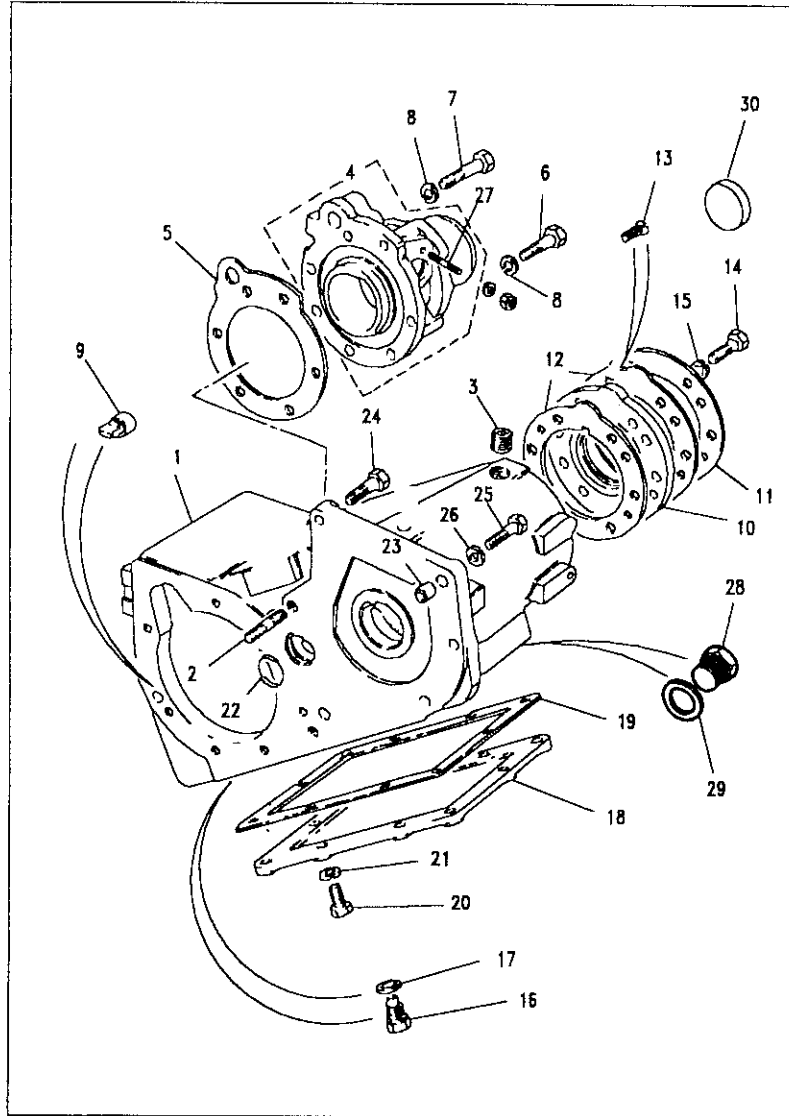
Model DEFENDER 110 1987 onwards  
 Page AFDCCA2A

TRANSFER GEARBOX - HOUSING - LT85



III. Part No.	Description	Qty	Remarks
1	FRC5622	1	Housing extension
2	571134	1	Pin dowel
3	NH110041L	2	Nut
4	FRC5053	1	Screw
5	SH110401L	3	Screw
6	WL110001L	12	Washer
7	BH110081L	3	Bolt
8	BH110091L	1	Screw
9	FRC2482	1	Dowel hollow
10	FRC8558	1	Housing remote
11	WL108001L	4	Washer
12	SH108251L	2	Screw
13	BH108111L	2	Bolt M8X55
	FB108111L	2	Bolt flanged M8X55
14	FRC8751	1	Housing cross shaft





Model DEFENDER 110 1987 onwards  
 Page AFDCEA1A

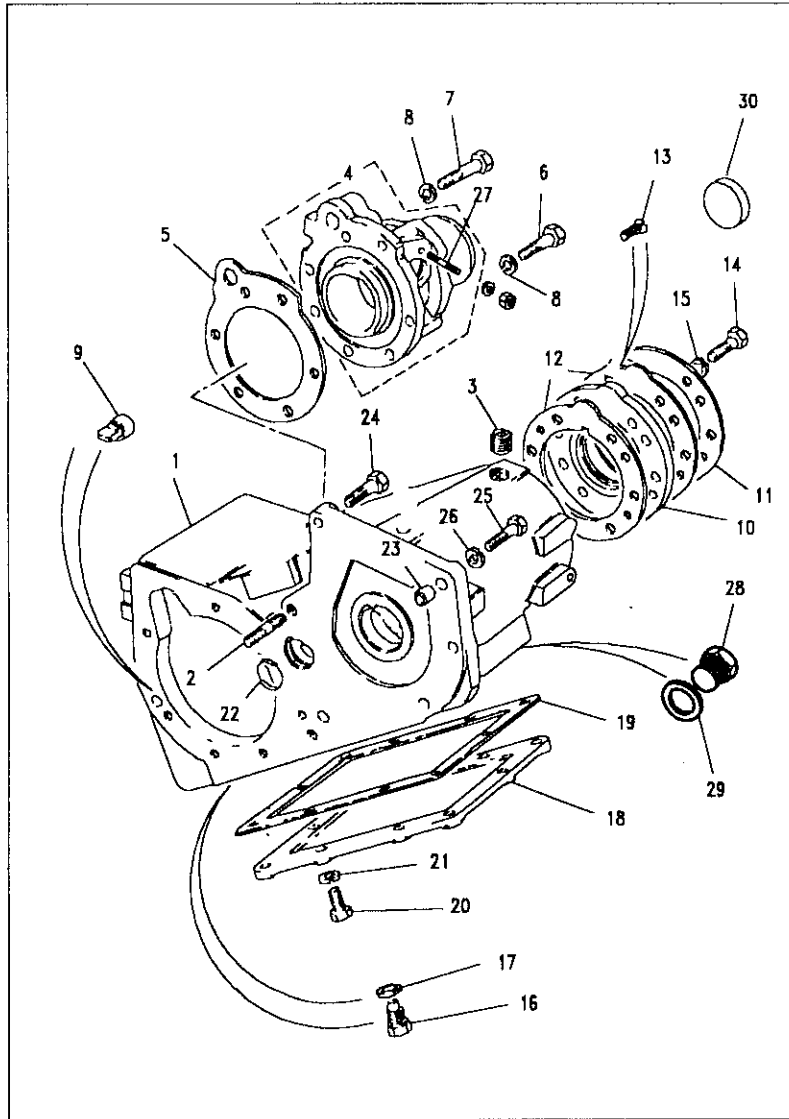
**TRANSFER GEARBOX - SPEEDO HOUSING - LT85**

Ill. Part No.	Description	Qty	Remarks
1	FRC8290 Housing transfer assy	1	
2	FRC5595 Stud	2	
3	608246 Plug-oil filler	2	
4	FRC7447 Housing speedo assy	1	Note(1)
	FTC4186 Housing speedometer	1	Note(2)
5	FRC5409 Washer joint	1	Note(3)
6	SH110301L Screw	5	
7	BH110091L Screw	1	
8	WA110061L Washer	6	
9	FRC5594 Dowel	1	
10	FRC6943 Housing	1	
11	FTC2061 Cover-power take-off	1	
	FRC9926 Shim	1	
	FRC9963 Shim	1	
12	FRC5413 Washer joint	2	Note(3)
13	SF108251L Bolt	2	
14	BX110071L Bolt	6	
15	WA110061L Washer	6	
16	599552 Plug drain	1	
17	FRC4808 Washer-drain plug	1	Note(3)

Note(1) Up to 22D309416E  
 Note(2) From 22D309417E (no gasket used)  
 Note(3) Part of gasket kit RTC3890







Model DEFENDER 110 1987 onwards  
 Page AFDCEA1A

**TRANSFER GEARBOX - SPEEDO HOUSING - LT85**

III. Part No.	Description	Qty	Remarks
18	FRC5415	1	Cover
19	FRC5416	1	Washer joint
20	FB108061	10	Flange bolt M8 X 30
21	WA108051L	10	Washer
22	FRC8292	1	'O'ring
23	FRC2482	1	Dowel hollow
24	BH110081L	3	Bolt
25	BH110091L	1	Bolt
26	WL110001L	6	Washer
27	571536	1	Stud-cable retainer
28	SH214141	1	Screw M14
29	232042	1	Joint Washer
30	602146	1	Plug-cover power take/off

Note(1) Part of gasket kit RTC3890





DEFENDER 110 1987 onwards

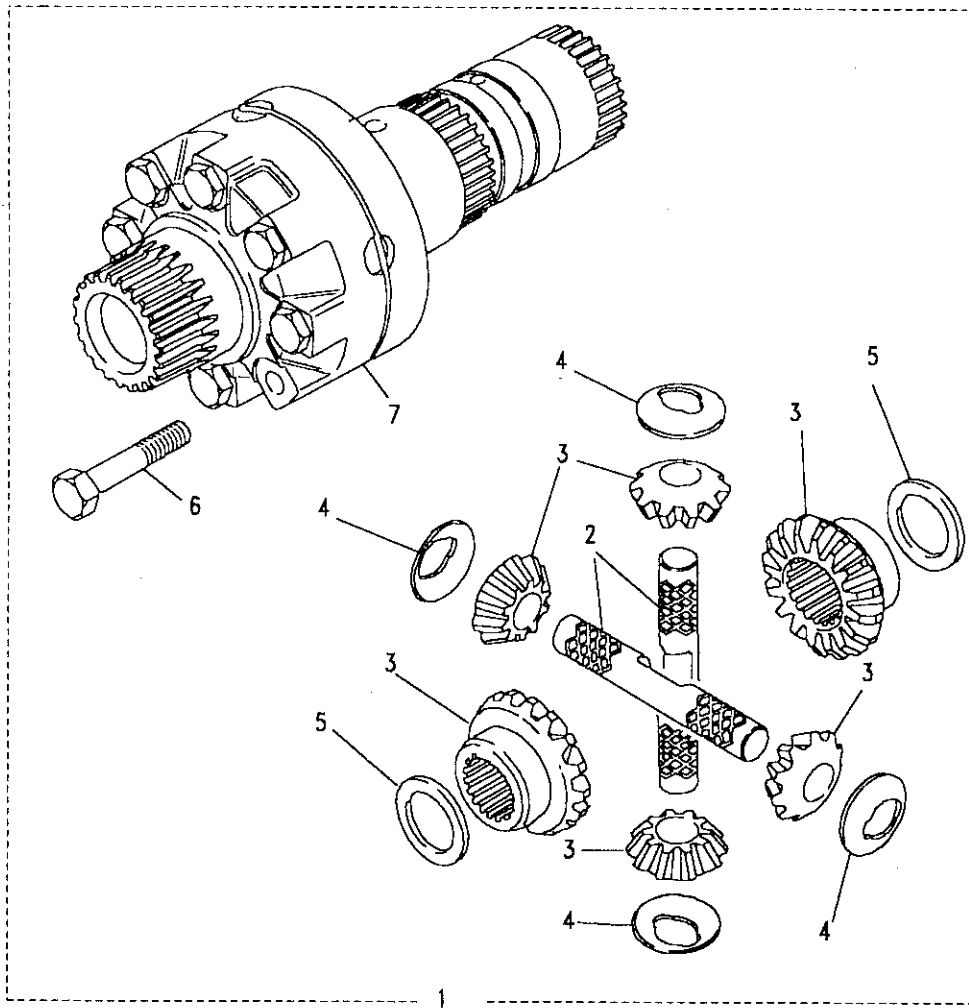
385

TRANSFER BOX

Model DEFENDER 110 1987 onwards  
Page AFDCGA1A

TRANSFER GEARBOX - DIFFERENTIAL - LT85

III. Part No.	Description	Qty	Remarks
1	FRC7926	1	Differential assembly
2	RTC3397	1	Kit cross shaft
3	RTC4490	1	Gears balanced set
4	FRC6968	4	Washer thrust
5	SELECTIVE THRUST WASHER		
	FRC6956		1.05mm A/R
	FRC6958		1.15mm A/R
	FRC6960		1.25mm A/R
	FRC9851		1.35mm A/R
	FRC9853		1.45mm A/R
6	BH110121L	8	Bolt-differential case
7	FRC7499	1	Ring retainer



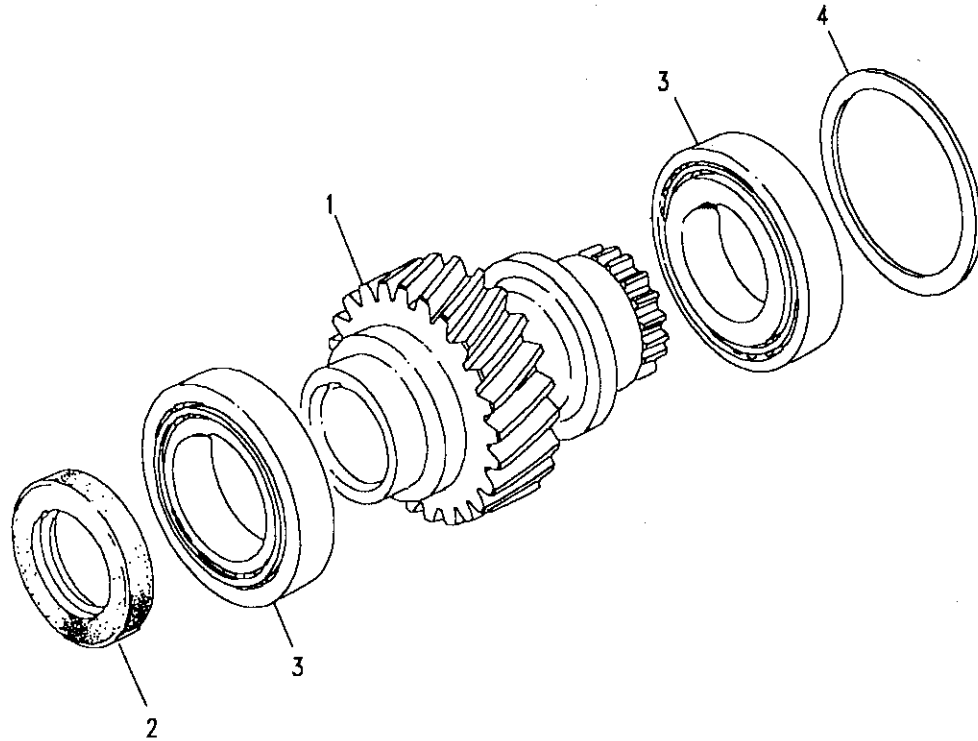


Model DEFENDER 110 1987 onwards  
Page AFDCIA1A

TRANSFER GEARBOX - MAINSHAFT - LT85

Ill. Part No.	Description	Qty	Remarks
1 FRC8917	Gear mainshaft	1	
2 FRC2365	Seal oil	1	Note(1)
3 FRC5564	Bearing	2	
4	SELECTIVE SHIMS		
	3.20	A/R	
	FRC9930 3.25	A/R	
	FRC9932 3.30	A/R	
	FRC9934 3.35	A/R	
	FRC9936 3.40	A/R	
	FRC9938 3.45	A/R	
	FRC9940 3.50	A/R	
	FRC9942 3.55	A/R	
	FRC9944 3.60	A/R	
	FRC9946 3.65	A/R	
	FRC9948 3.70	A/R	
	FRC9950 3.75	A/R	
	FRC9952 3.80	A/R	
	FRC9954 3.85	A/R	
	FRC9956 3.90	A/R	
	FRC9958 3.95	A/R	
	FRC9960 4.00	A/R	

Note(1) Part of gasket kit RTC3890





DEFENDER 110 1987 onwards

387

TRANSFER BOX

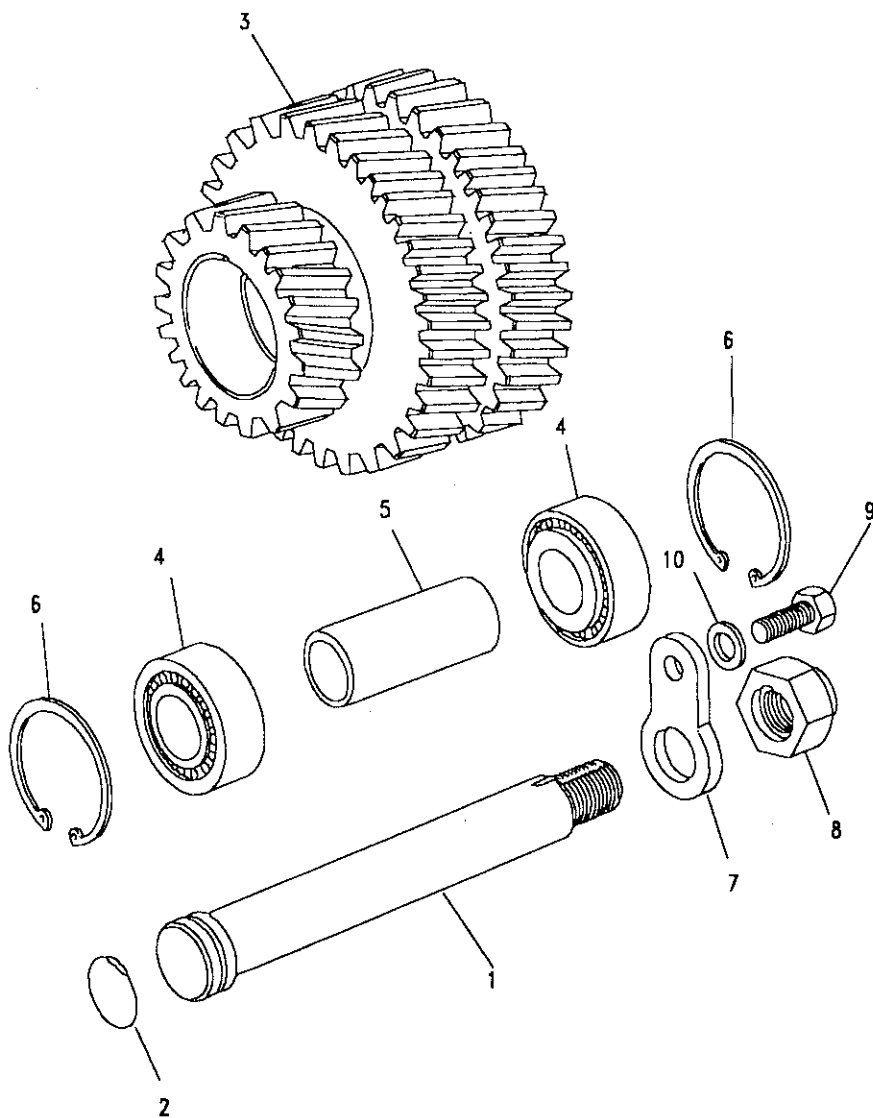
Model DEFENDER 110 1987 onwards

Page AFDCIA2A

TRANSFER GEARBOX - INTERMEDIATE SHAFT - LT85

Ill. Part No.	Description	Qty	Remarks
1	FRC8291 Intermediate shaft	1	
2	FRC7439 'O'ring-shaft	1	Note(1)
3	FRC9460 Gear inter	1	
4	FRC7810 Bearing	2	
5	FRC7437 Spacer collapsible	1	
6	FRC7454 Circlip	2	
7	FRC7452 Plate-anti rotation	1	
8	FRC7453 Nut-intermediate shaft	1	
9	FS108201L Screw	1	
10	WA108051L Washer	1	

Note(1) Part of gasket kit RTC3890



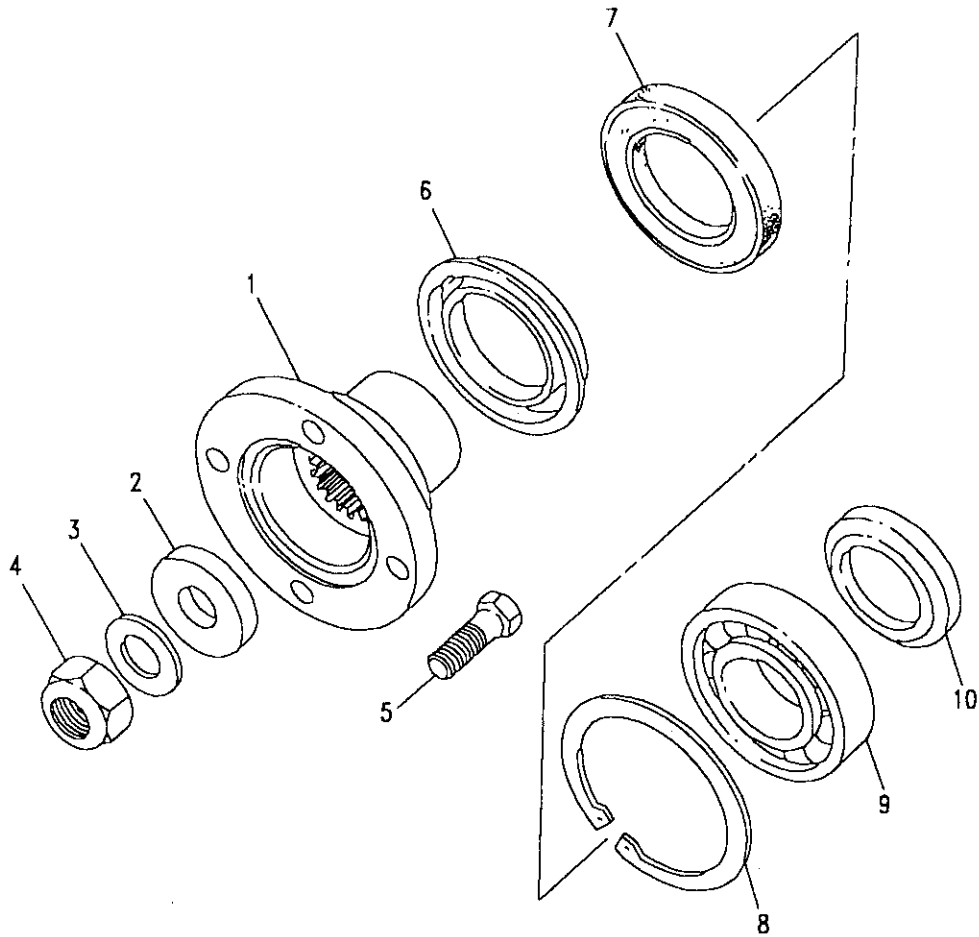


Model DEFENDER 110 1987 onwards  
Page AFDCIA3A

TRANSFER GEARBOX - FRONT FLANGE - LT85

III. Part No.	Description	Qty	Remarks
1	FRC5442	1	Flange-front output
2	FRC2464	1	Washer sealing
3	571468	1	Washer-shaft
4	NY120041L	1	Nut-shaft
5	BT606101L	4	Bolt-flange
6	FRC6121	1	Mudshield
7	FRC7043	1	Seal oil
8	216962	1	Circlip
9	STC1130	1	Bearing
10	FRC5439	1	Spacer

Note(1) Part of gasket kit RTC3890





DEFENDER 110 1987 onwards

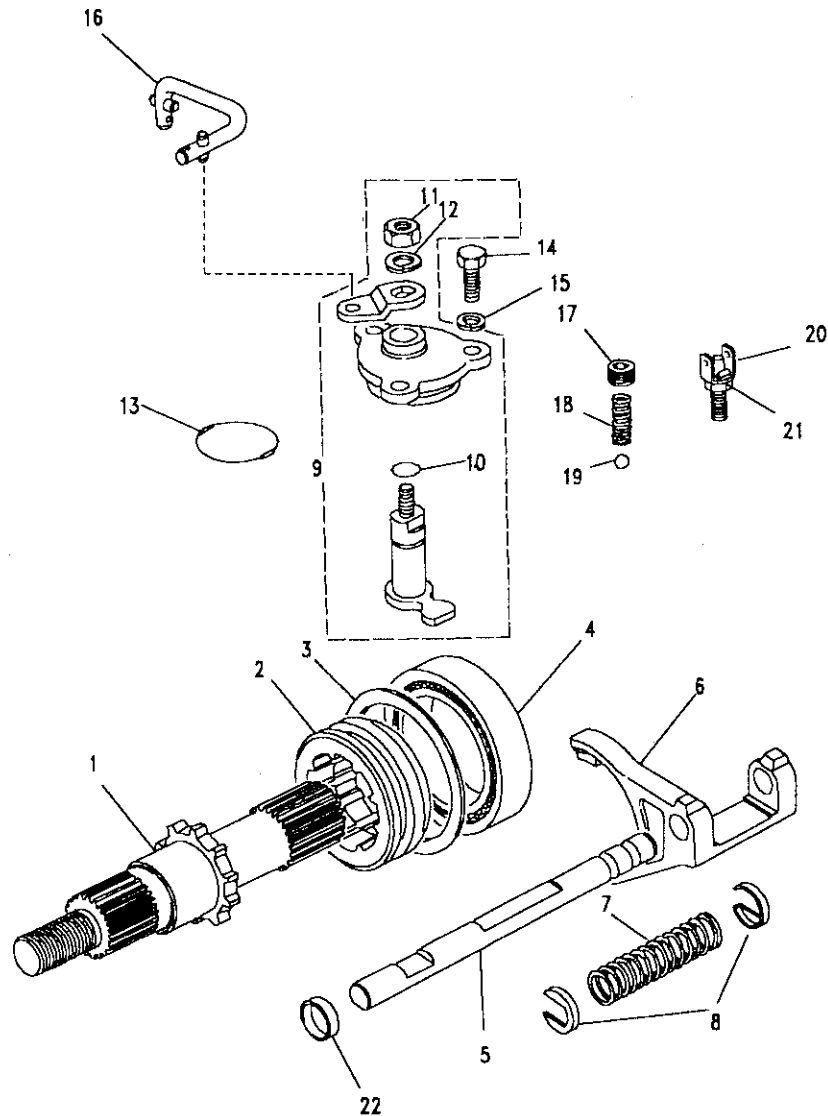
389

TRANSFER BOX

Model DEFENDER 110 1987 onwards  
Page AFDCIA5A

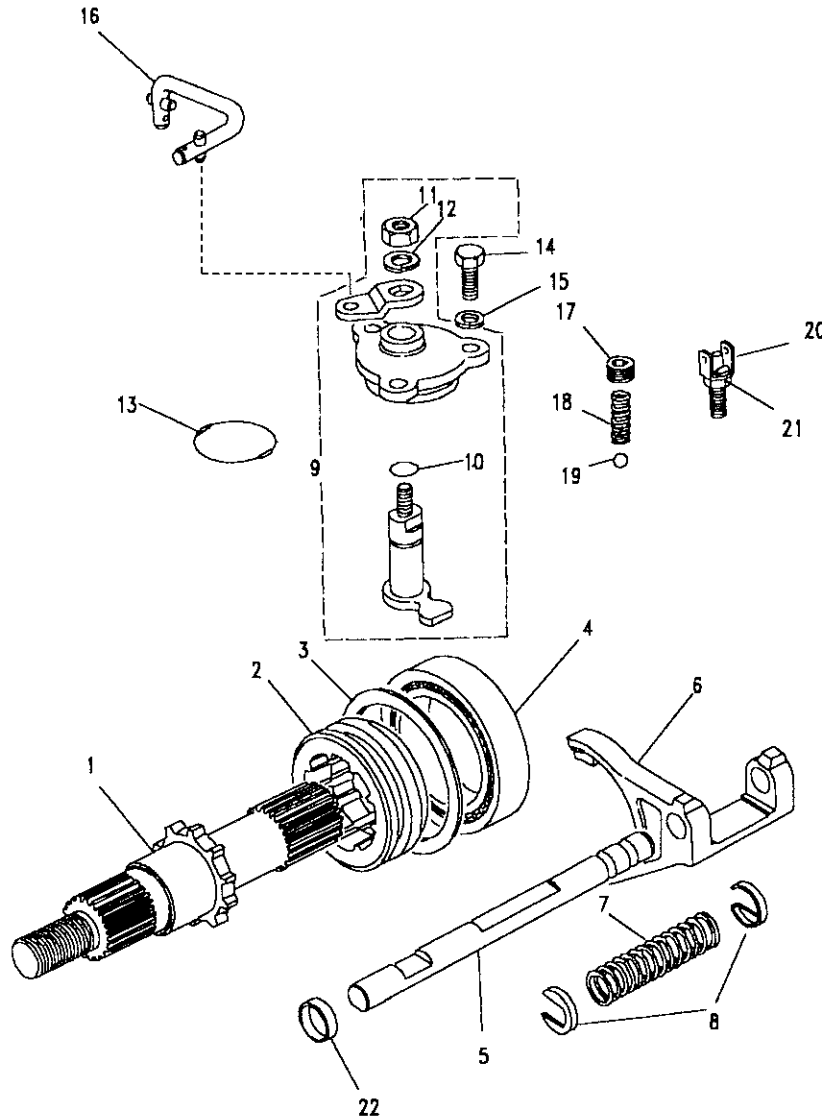
TRANSFER GEARBOX - FRONT OUTPUT SHAFT - LT85

III. Part No.	Description	Qty	Remarks
1	FRC5449 Shaft front output	1	
2	FRC5440 Dog clutch-front drive	1	
	FRC5575 'O'ring-dog clutch	1	
3	SELECTIVE SHIMS		
	FTC726 2.00mm	1	
	FTC278 Washer	1	
	FTC730 2.10mm	1	
	FTC732 2.15mm	1	
	FTC734 2.20mm	1	
	FTC736 2.25mm	1	
	FTC738 2.30mm	1	
	FTC740 2.35mm	1	
	FTC742 2.40mm	1	
	FTC744 2.45mm	1	
	FTC746 2.50mm	1	
	FTC748 2.55mm	1	
	FTC750 2.60mm	1	
	FTC752 Shim	1	
	FTC754 2.70mm	1	
	FTC756 2.75mm	1	
	FTC758 2.80mm	1	
	FTC760 Shim 2.85mm	1	
	FTC762 2.90mm	1	
	FTC764 2.95mm	1	
	FTC766 3.00mm	1	
	FTC768 3.05mm	1	
	FTC770 3.10mm	1	
	FTC772 3.15mm	1	
	FTC774 3.20mm	1	
	FTC776 3.25mm	1	



**Model** DEFENDER 110 1987 onwards  
**Page** AFDCIA5A

**TRANSFER GEARBOX - FRONT OUTPUT SHAFT - LT85**



Ill. Part No.	Description	Qty	Remarks
4	FRC7871	1	Bearing-taper
5	FRC6030	1	Shaft selector-diff lock
6	FRC6109	1	Fork selector-diff lock
7	FRC5468	1	Spring-diff lock
8	FRC5469	2	Clip-spring
9	FRC8041	1	Housing assembly
10	FRC5576	1	'O'ring
11	NY108041L	1	Nut
12	WA108051L	1	Washer
13	FRC5473	1	'O'ring
14	SH108251L	3	Screw
15	WA108051L	3	Washer
16	FRC7948	1	Link connecting assembly
17	SU112101L	1	Plug-detent
18	FRC5562	1	Spring-detent
19	571146	1	Ball-detent
20	PRC2911	1	Switch-diff lock
21	NT110041L	1	Lock nut-switch
22	FRC6110	1	Plug-selector shaft



DEFENDER 110 1987 onwards

391

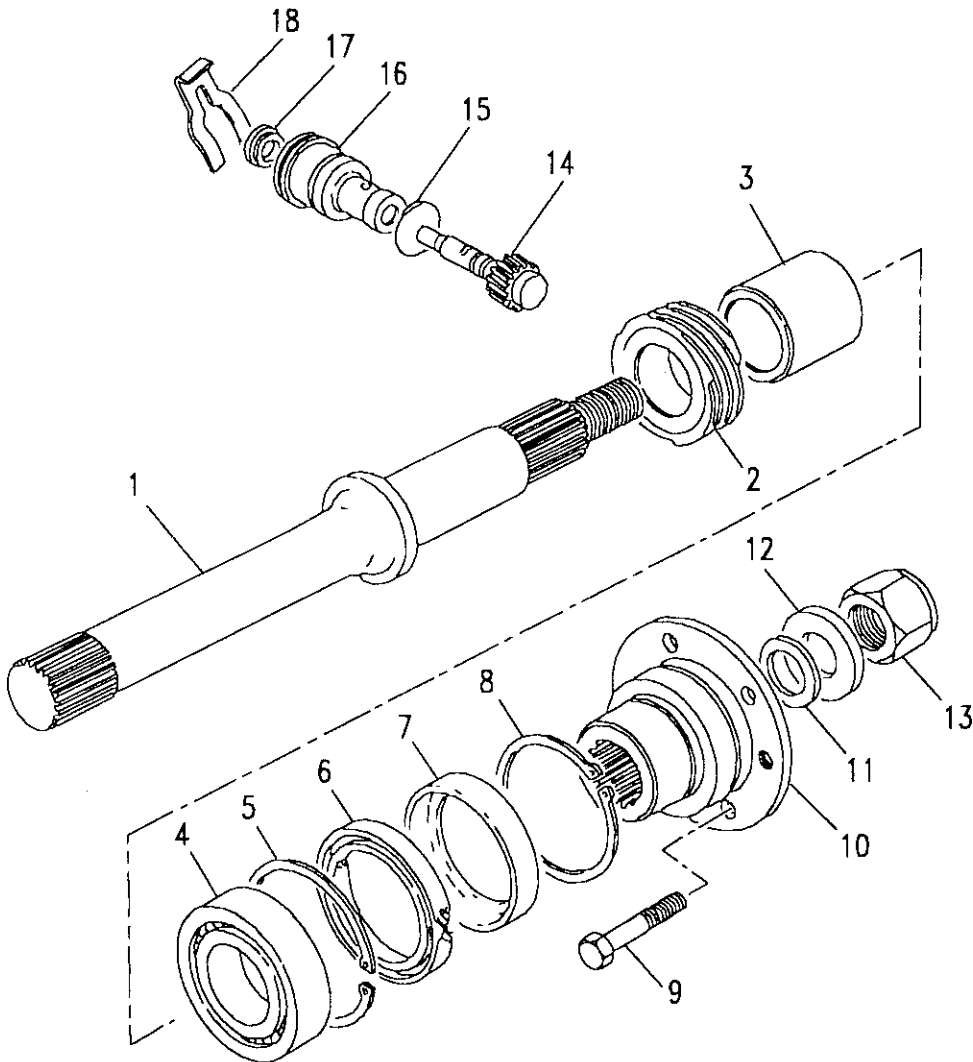
TRANSFER BOX

**Model** DEFENDER 110 1987 onwards  
**Page** AFDCIA4A

**TRANSFER GEARBOX - REAR FLANGE - LT85**

III. Part No.	Description	Qty	Remarks
1	FRC5450	1	Shaft-rear output
2	FRC3162	1	Worm speedo
3	FRC5446	1	Spacer-speedo worm
4	STC1130	1	Bearing
5	216962	1	Circlip
6	FRC7043	1	Seal oil
7	571970	1	Shield oil
8	571682	1	Circlip
9	FRC3602	1	Bolt
10	FRC5438	1	Flange-rear output
11	FRC2464	1	Washer sealing
12	571468	1	Washer
13	NY120041L	1	Nut
14	FRC3310	1	Gear speedo drive
15	571665	1	'O'ring
16	FRC3286	1	Housing-speedo spindle
17	AAU2304	1	Seal oil
18	533765	1	Plate-retaining

Note(1) Part of gasket kit RTC3890





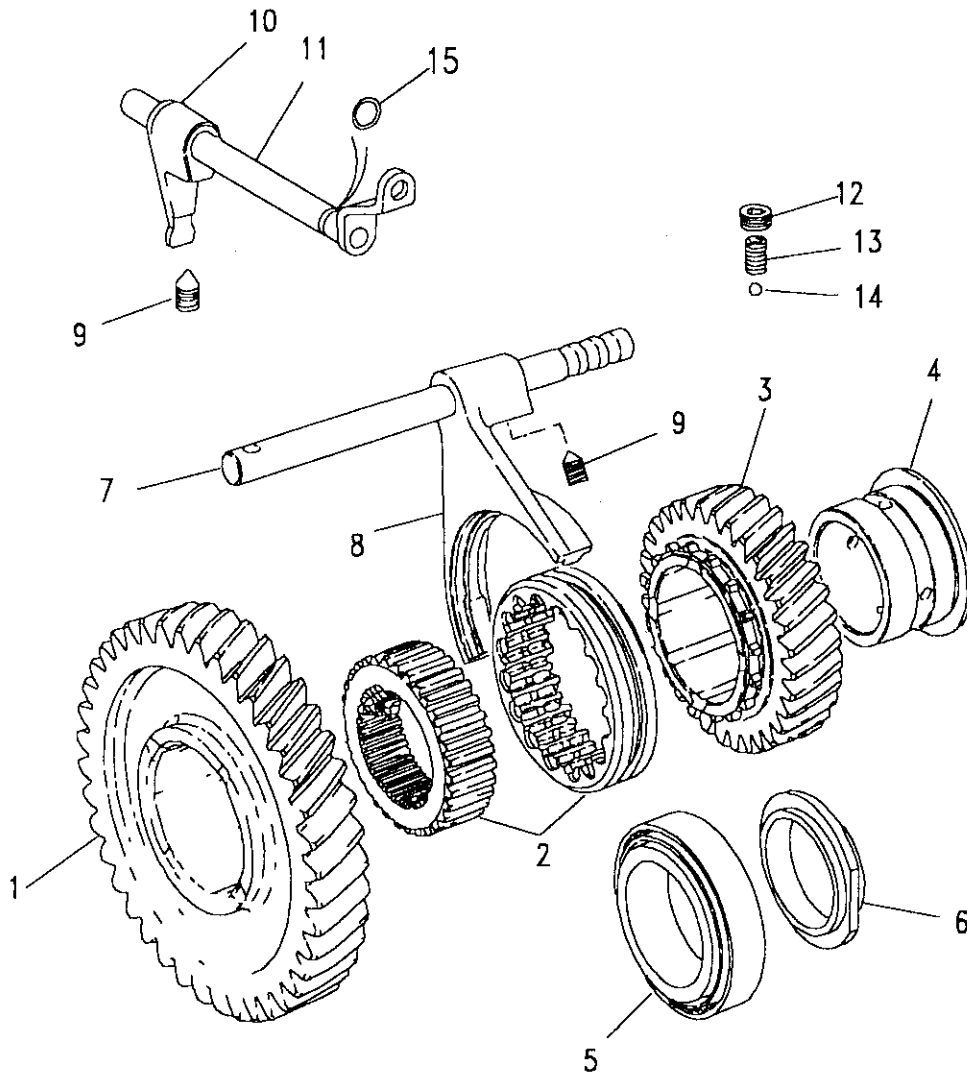


Model DEFENDER 110 1987 onwards  
Page AFDCKA1A

TRANSFER GEARBOX - HIGH LOW GEARS - LT85

III. Part No.	Description	Qty	Remarks
1	FRC7434	1	Gear low
2	RTC4373	1	Sleeve and hub assembly
3	FRC7885	1	Gear-high output
4	FRC7441	1	Bush
5	606474	1	Bearing
6	FRC7970	1	Nut-bearing retainer
7	FRC9513	1	Shaft selector-high/ow
8	FTC2859	1	Fork-high/low selector
9	FRC7018	2	Screw-selector forks
10	FRC7929	1	Selector finger
11	FRC8899	1	Arm operating-high/low
12	FRC9549	1	Plug-detent
13	FRC9546	1	Spring-detent
14	571146	1	Ball-detent
15	FRC5575	2	O ring

Note(1) Part of gasket kit RTC3890





DEFENDER 110 1987 onwards

393

TRANSFER BOX

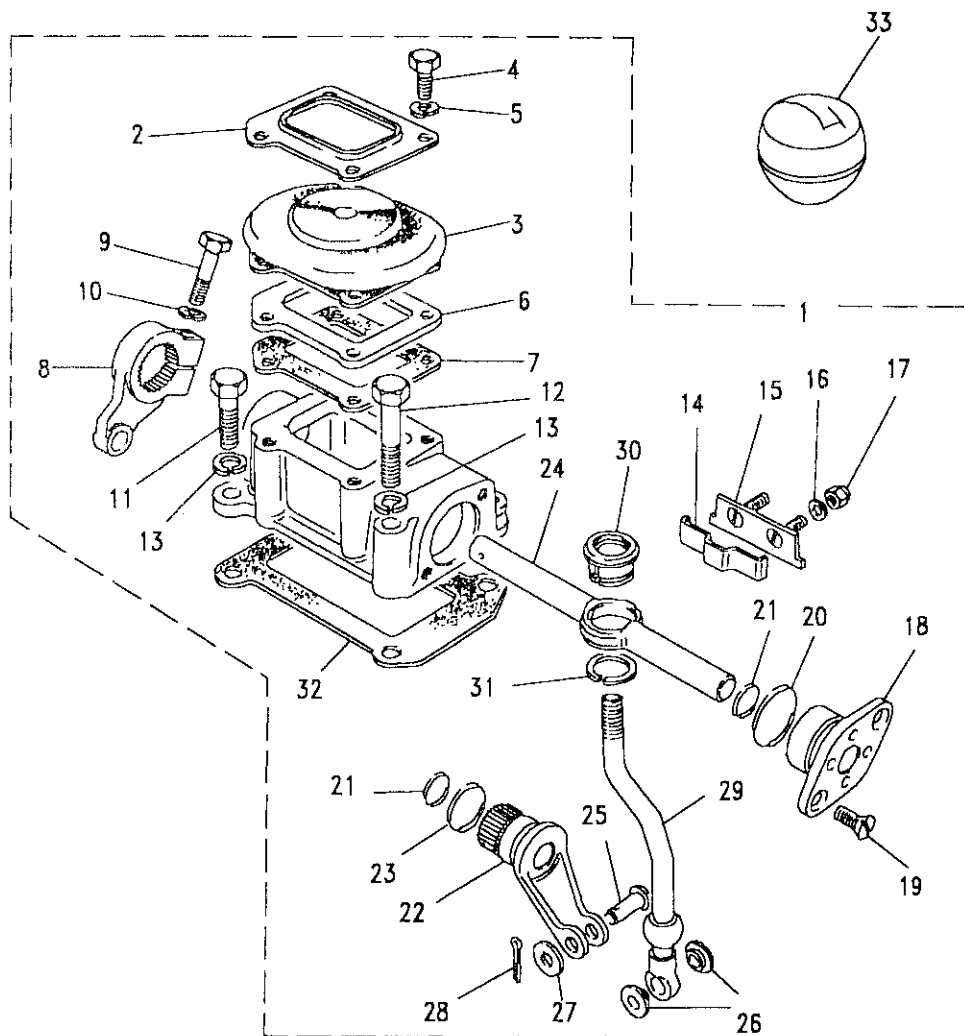
Model DEFENDER 110 1987 onwards

Page AFDCMA1A

TRANSFER GEARBOX - GEAR CHANGE - LT85

III. Part No.	Description	Qty	Remarks
1	FRC7941	1	Gear change assembly
2	FRC6873	1	Plate
3	FRC6872	1	Grommet
4	FS106207	4	Screw m6 x 20
5	WA106041L	4	Washer
6	FRC7944	1	Gate plate
7	FTC4037	1	Gasket
8	FRC5478	1	Arm operating
9	BH106051L	1	Bolt
10	WA106041L	1	Washer
11	SH108251L	2	Screw
12	FB108111L	2	Bolt flanged
13	WL108001L	4	Washer-spring
14	RTC1956	1	Detent spring
15	FRC6125	1	Retainer-spring
16	WA105001L	2	Washer
17	NY105041L	2	Nut
18	FRC5574	1	Cover end

Note(1) Part of gasket kit RTC3890

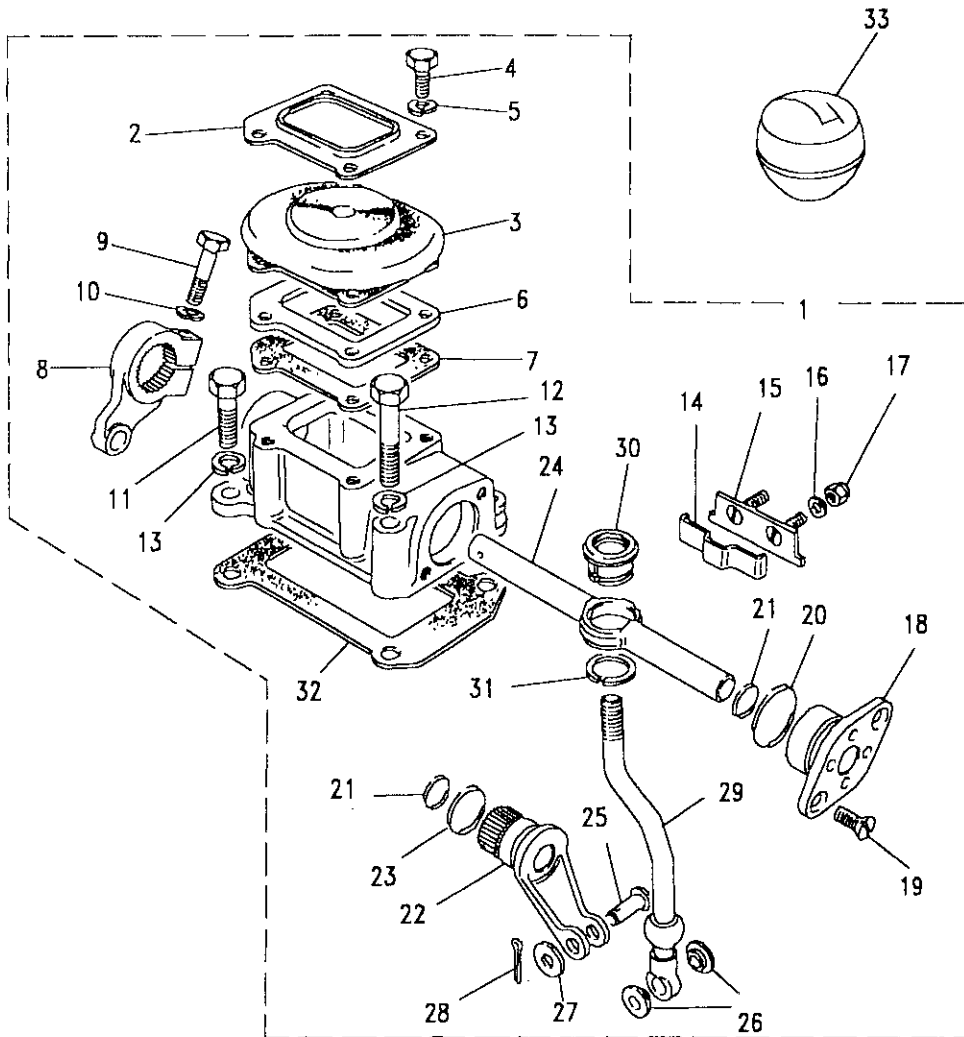


Model DEFENDER 110 1987 onwards  
 Page AFDCMA1A

TRANSFER GEARBOX - GEAR CHANGE - LT85

III. Part No.	Description	Qty	Remarks
19	SF106201L Screw	2	
20	FRC8292 'O'ring	1	Note(1)
21	FRC4509 'O'ring	2	Note(1)
22	FRC5480 Arm crank	1	
23	FRC5479 'O'ring	1	Note(1)
24	FRC6117 Cross shaft	1	
25	PC108321L Clevis pin	1	
26	FRC4499 Bush	2	
27	WA108051L Washer	1	
28	PS104121L Split pin	1	
29	FRC8560 Lever	1	
30	FRC5076 Seat-gear lever	1	
31	CR120215L Circlip	1	
32	FRC6306 Gasket	1	Upto 20D299332E
	FTC4036 Gasket	1	From 20D299333E
	FRC7930 Plug-housing	1	
33	FRC6595 Knob	1	Note(2)
	FTC3852 Knob	1	Note(3)

Note(1) Part of gasket kit RTC3890  
 Note(2) Up to LA935624  
 Note(3) From LA935625





DEFENDER 110 1987 onwards

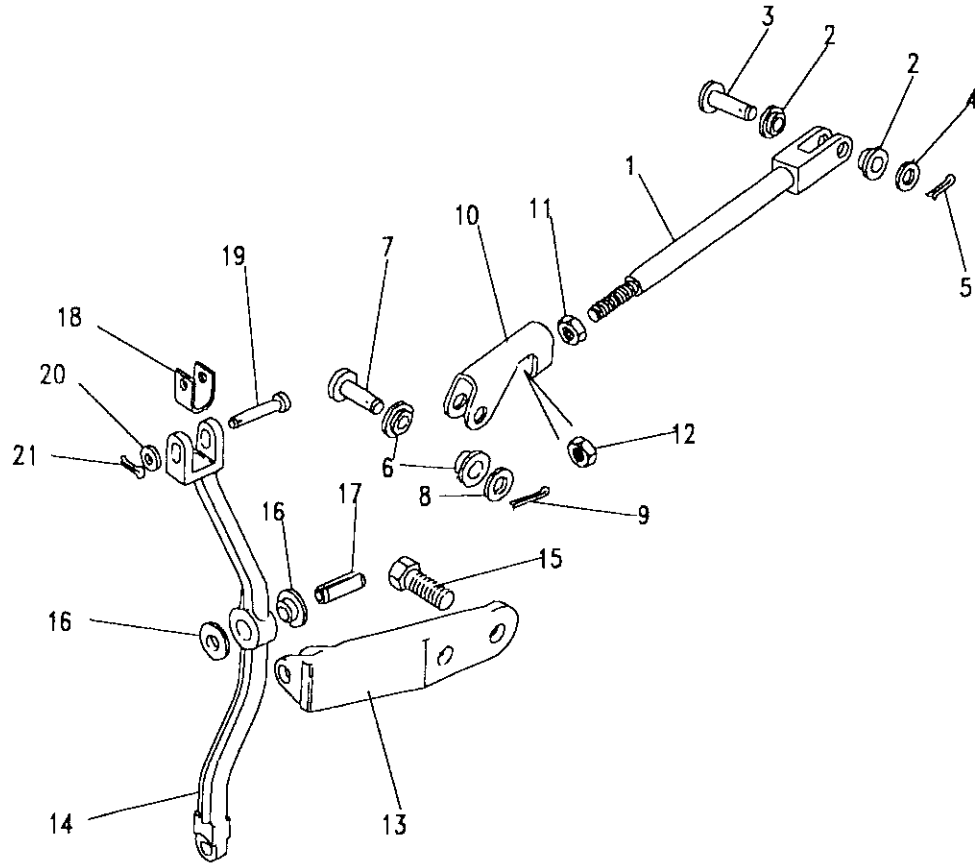
395

TRANSFER BOX

Model DEFENDER 110 1987 onwards

Page AFDCMA2A

TRANSFER GEARBOX - ROD ASSEMBLY - LT85



Ill. Part No.	Description	Qty	Remarks
1	FRC7946 Rod connecting assembly	1	
2	FRC4499 Bush	2	
3	PC108321L Clevis pin	1	
4	WA108051L Washer	1	
5	PS104121L Split pin	1	
6	FRC4499 Bush	2	
7	PC108321L Clevis pin	1	
8	WA108051L Washer	1	
9	PS104121L Split pin	1	
10	FRC8075 Clevis-high/low	1	
11	NY108041L Nut	1	
12	NT108041L Nut	1	
13	FRC8033 Bracket pivot-lever	1	
14	FRC7942 Lever-cross shaft/diff	1	
15	SH108251L Screw	2	
16	FRC4499 Bush	2	
17	FRC7325 Pin-spirol roll	1	
18	FRC4505 Nylon strip	1	
19	PC105401L Clevis pin	1	
20	WA105001L Washer	1	
21	PS103101L Split pin	1	





DEFENDER 110 1987 onwards

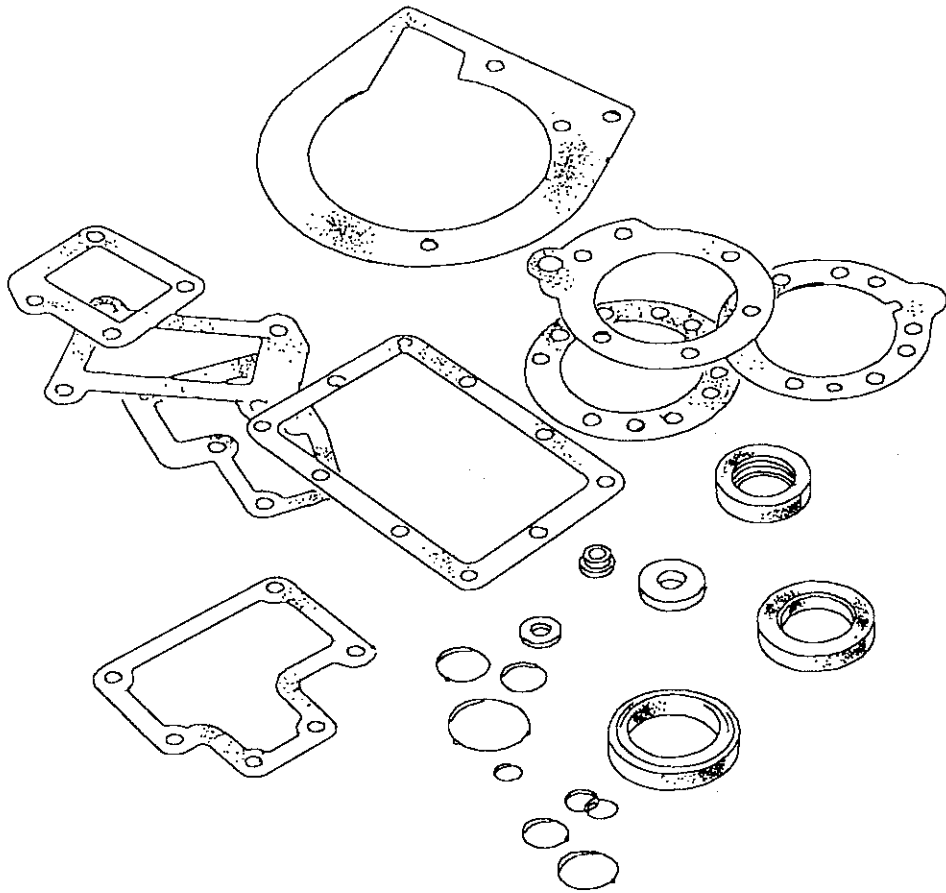
396

TRANSFER BOX

Model DEFENDER 110 1987 onwards  
Page AFDCPA1A

TRANSFER GEARBOX - GASKET KIT - LT85

Ill. Part No.	Description	Qty	Remarks
1 RTC3890	Kit gasket and seal	1	



TS 6373

1





DEFENDER 110 1987 onwards

397

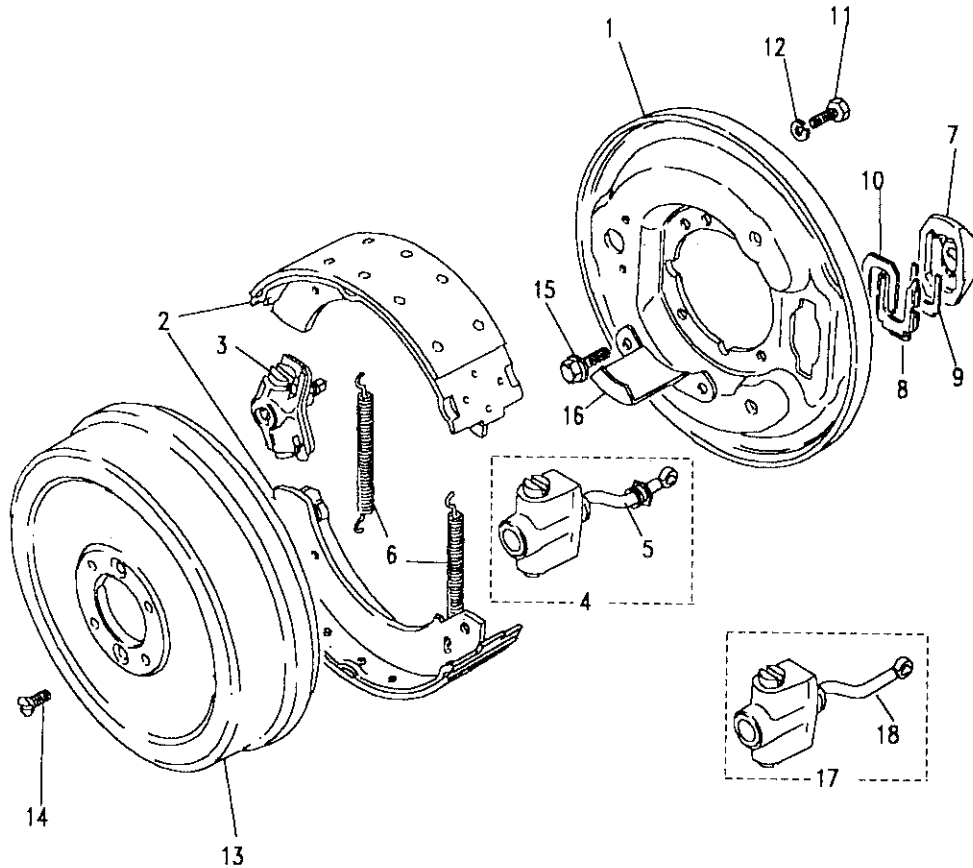
TRANSFER BOX

Model DEFENDER 110 1987 onwards  
Page AFDCRA1A

TRANSFER GEARBOX - TRANSMISSION BRAKE - LT85

III. Part No.	Description	Qty	Remarks
1 AEU2733	Back plate	1	)
2 RTC3403	Brake shoe set	1	)UptoJULY1989
3 37H4558L	Adjuster assembly	1	)
8G7019L	Kit-adjuster	1	)
1 STC963	Back plate	1	)
2 RTC6179	Brake shoe set	1	)FromJULY1989
3 STC244	Adjuster assembly	1	)
STC245	Kit-adjuster	1	)
4 AEU2734	Expander assembly	1	Note(1)
AEU2735	Kit-expander	1	
5 AEU2736	Drawlink-with locknut	1	OLD TYPE
6 FRC8549	Spring-shoe return(green)	2	UptoJULY1989
6 STC246	Spring-shoe return set	1	FromJULY1989
7 515466	Cover dust	1	
8 515467	Plate-locking	1	
9 515470	Plate-packing	1	
10 515468	Plate-spring	1	
11 AEU2737	Bolt	2	
12 AEU2738	Washer	2	
13 FRC3502	Brake drum	1	
14 SA108201L	Screw-fixing drum	2	
15 AFU1400	Screw	4	
16 FRC8093	Oil catcher	1	
17 AEU2734	Expander assembly	1	Note(1)
18 STC964	Drawlink	1	NEW TYPE

Note(1) When ordering AEU2734 the NEW TYPE drawlink will be supplied.





## MASTER INDEX

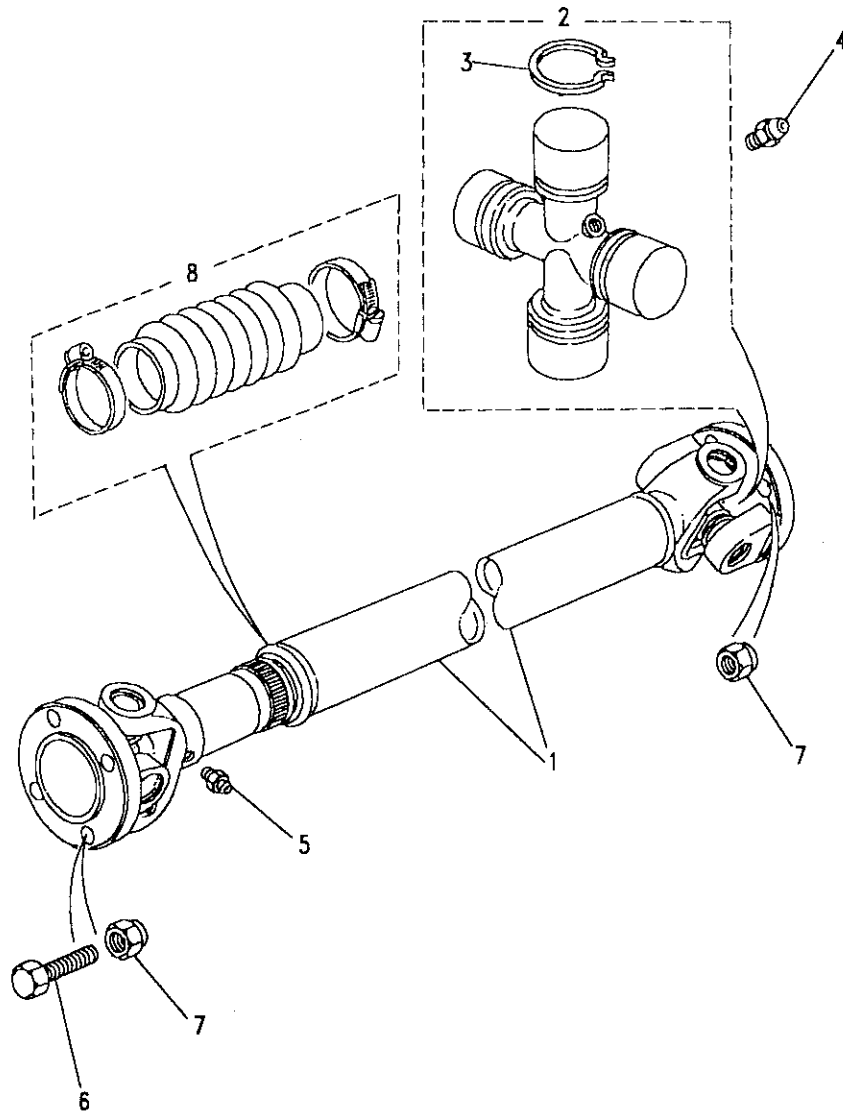
	PAGES
INTRODUCTION PAGES	1 - 7
ALPHABETICAL INDEX	8 - 16
ENGINE	17 - 66
ENGINE	67 - 119
ENGINE	120 - 166
ENGINE	167 - 209
ENGINE	210 - 245
ENGINE	246 - 299
GEARBOX	300 - 326
GEARBOX	327 - 344
GEARBOX	345 - 359
TRANSFER BOX	360 - 378
TRANSFER BOX	379 - 397
AXLES AND SUSPENSION	398 - 444
STEERING	445 - 471
VEHICLE AND ENGINE CONTROLS	472 - 486
BRAKES	487 - 517
FUEL SYSTEM AND AIR CLEANER	518 - 579
EXHAUST SYSTEM	580 - 593
COOLING/HEATING	594 - 637
COOLING/HEATING	638 - 641
COOLING/HEATING	642 - 649
COOLING/HEATING	650 - 655
COOLING/HEATING	656 - 666
BODY ELECTRICAL	667 - 740
BODY AND CHASSIS	741 - 909
INTERIOR TRIM	910 - 955
SEATS	956 - 1036
STOWAGE	1037 - 1046
ACCESSORIES - PAINTS	1047 - 1074
NUMERICAL INDEX	1076 - 1151

## GROUP E

## AXLES AND SUSPENSION

AXLES AND SUSPENSION	
FRONT PROPSHAFT	399
REAR PROPSHAFT	400 - 401
FRONT AXLE ASSEMBLY	402 - 403
FRONT AXLE CASE	404 - 405
FRONT DIFFERENTIAL	406 - 413
DRIVE SHAFTS	414 - 416
SWIVEL PIN HOUSING	417 - 419
FRONT HUB	420 - 422
REAR AXLE ASSEMBLY	423 - 424
AXLE CASE REAR	425
DIFFERENTIAL	426
AXLE SHAFTS AND HUBS	427 - 428
REMOTE BREATHERS	429
ALTERNATIVE REMOTE BREATHERS	430
REMOTE BREATHERS	431
GAITER KIT	432
ROAD WHEEL	433
RADIUS ARM & LINKS	434 - 435
SHOCK ABSORBERS & ROAD SPRING	436
ANTI-ROLL BAR	437
BOTTOM LINK	438
TOP LINK, FULCRUM, BALL JOINT	439 - 440
SHOCK ABSORBER & ROAD SPRING	441 - 442
ANTI ROLL BAR	443
LEVELLING UNIT - OPTIONAL	444





**Model** DEFENDER 110 1987 onwards  
**Page** AFEXAA1A

**AXLES - FRONT PROPSHAFT**

III. Part No.	Description	Qty	Remarks
<b>Defender 110 &amp; 130</b>			
1 FRC8390	Propellor shaft front	1	Note(1)
FRC8386	Propellor shaft front	1	Note(2)(3)
<b>All Variants</b>			
2 RTC3458	Universal joint	2	
3 242522	Circlip	8	
4 549229	Nipple grease	2	
5 234532	Nipple grease	1	
6 509045P	Bolt	4	Note(3)
7 NZ606041L	Nut	8	
8 276484	Grommet assembly	1	

Note(1) 4 Cylinder  
 Note(2) All V8  
 Note(3) TDI from MA939976  
 Note(4) Fixing bolt at transfer box - see page 368





Model DEFENDER 110 1987 onwards

Page AFEXAC1A

AXLES - REAR PROPSHAFT

Ill. Part No.	Description	Qty	Remarks
---------------	-------------	-----	---------

Vehicles with front disc and rear drum brakes

Defender 110

1	FRC8391	Propellor shaft rear	1	4 Cylinder Upto VIN KA925786
	FTC3245	Propeller shaft rear	1	4 Cylinder From VIN KA925787
	FRC8389	Propellor shaft rear	1	V8

Defender 130

1	FTC1250	Propellor shaft rear	1	4 Cylinder V8
	RRC2303	Propellor shaft rear	1	Upto 4.6.89
	FTC1249	Propellor shaft rear	1	V8 LT85 From 5.6.89

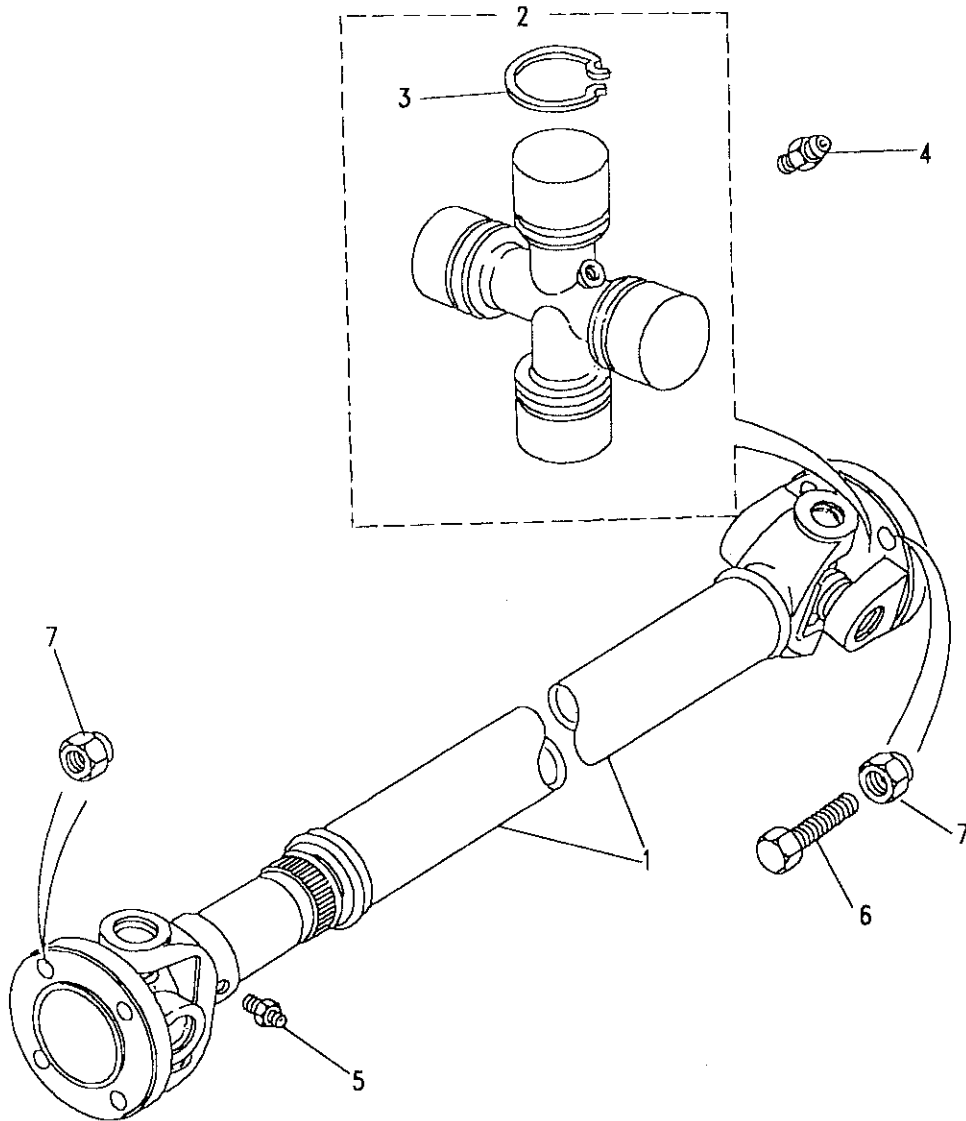
Vehicles with front and rear disc brakes

Defender 110

1	FTC3245	Propeller shaft rear	1	4 Cylinder
	FRC8389	Propeller shaft rear	1	V8 Note(1)
	FTC3905	Propeller shaft rear	1	V8 Note(2)
	FTC3905	Propeller shaft rear	1	300TDi

Note(1) Up to LA937639

Note(2) From LA937640



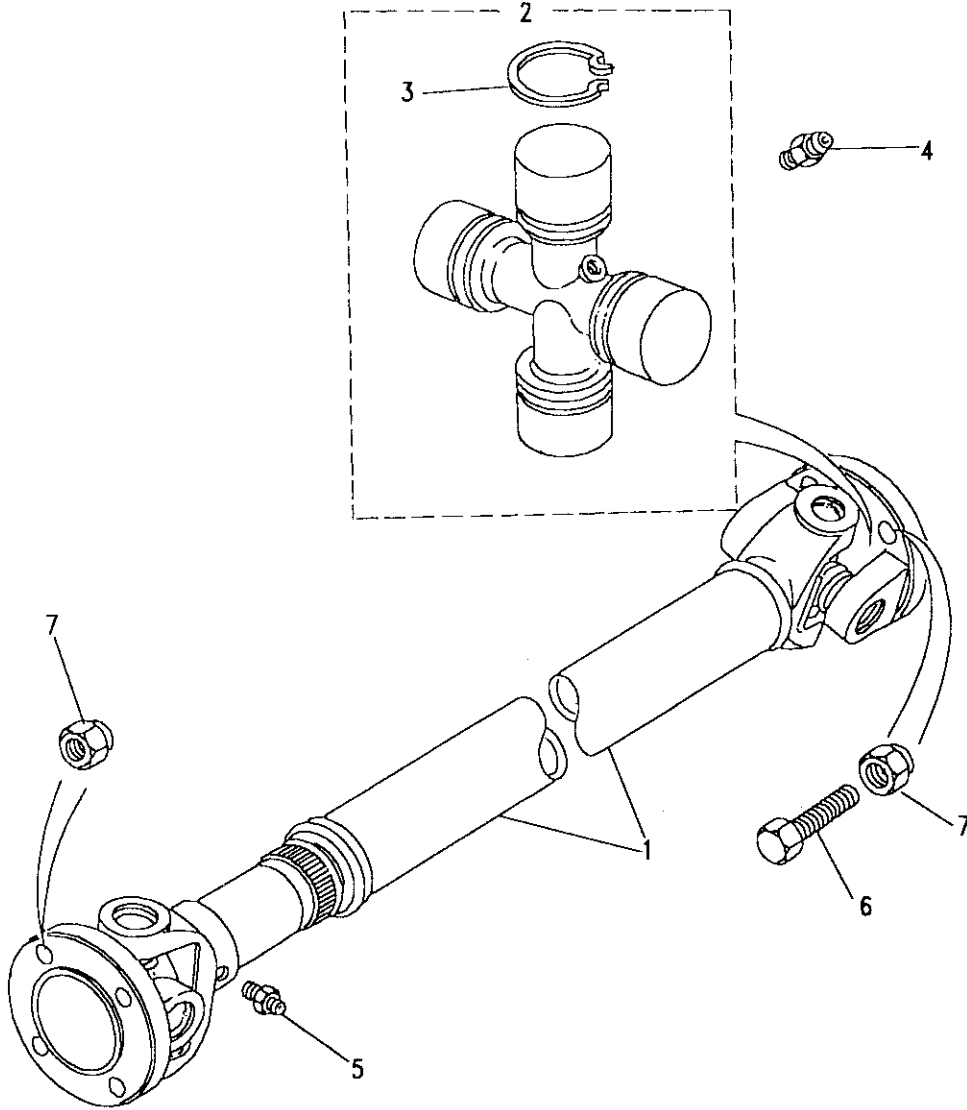


Model DEFENDER 110 1987 onwards  
Page AFEXAC1A

AXLES - REAR PROPSHAFT

III. Part No.	Description	Qty	Remarks
Defender 130 1 FTC1250	Propeller shaft rear	1	
<b>All Derivatives</b>			
2 RTC3458	Universal joint	2	
3 242522	Circlip	8	
4 549229	Nipple grease	2	
5 234532	Nipple grease	1	
6 509045P	Bolt	4	Note(1)
7 NZ606041L	Nut	8	

Note(1) Fixing bolt at transfer box - see page 369





Model DEFENDER 110 1987 onwards  
Page AFEXCA1A

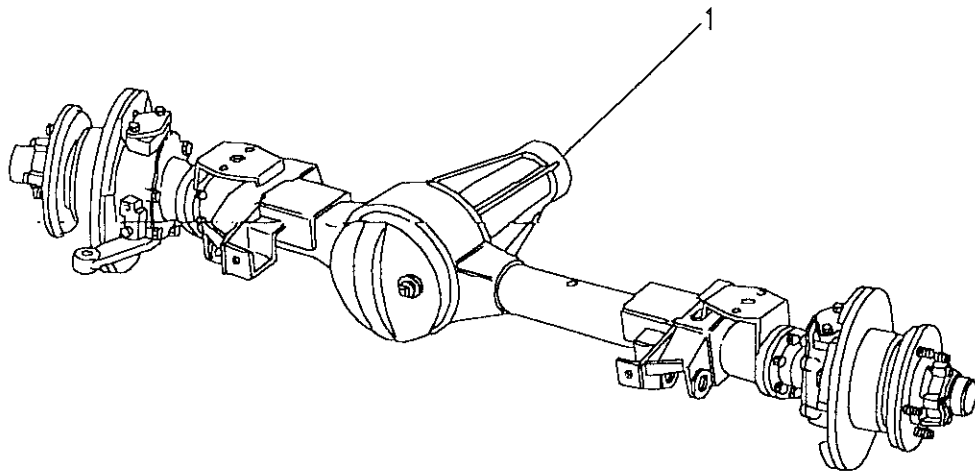
FRONT AXLE - FRONT AXLE ASSEMBLY

III. Part No.	Description	Qty	Remarks
---------------	-------------	-----	---------

Vehicles with front disc and rear drum brakes

Upto VIN 930434 - 110, 930545 - 130

1	FRC8782	Axle assembly front-RHS	1	Upto 20L77036C
	FTC3280	Axle assembly front-RHS	1	From 20L77037C
	FRC8783	Axle assembly front-LHS	1	Upto 21L56452C
	FTC3281	Axle assembly front-LHS	1	From 21L56453C





**Model** DEFENDER 110 1987 onwards

**Page** AFEXCA2A

**FRONT AXLE - FRONT AXLE ASSEMBLY**

III. Part No.	Description	Qty	Remarks
---------------	-------------	-----	---------

**Vehicles with front and rear disc brakes**

**Defender 110 4 Cylinder - From VIN LA930435**

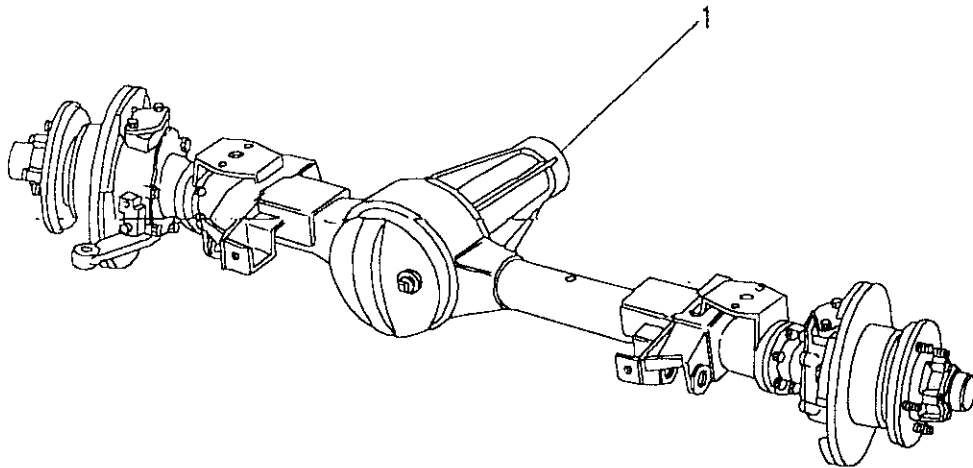
1	FTC3300	Axle assembly front-RHS	1 63L
	FTC3301	Axle assembly front-LHS	1 64L

**Defender 110 V8 - From VIN LA930435**

1	FTC3300	Axle assembly front-RHS	1 63L
	FTC3301	Axle assembly front-LHS	1 64L

**Defender 130 - From VIN LA930546**

1	FTC3300	Axle assembly front-RHS	1 63L
	FTC3301	Axle assembly front-LHS	1 64L





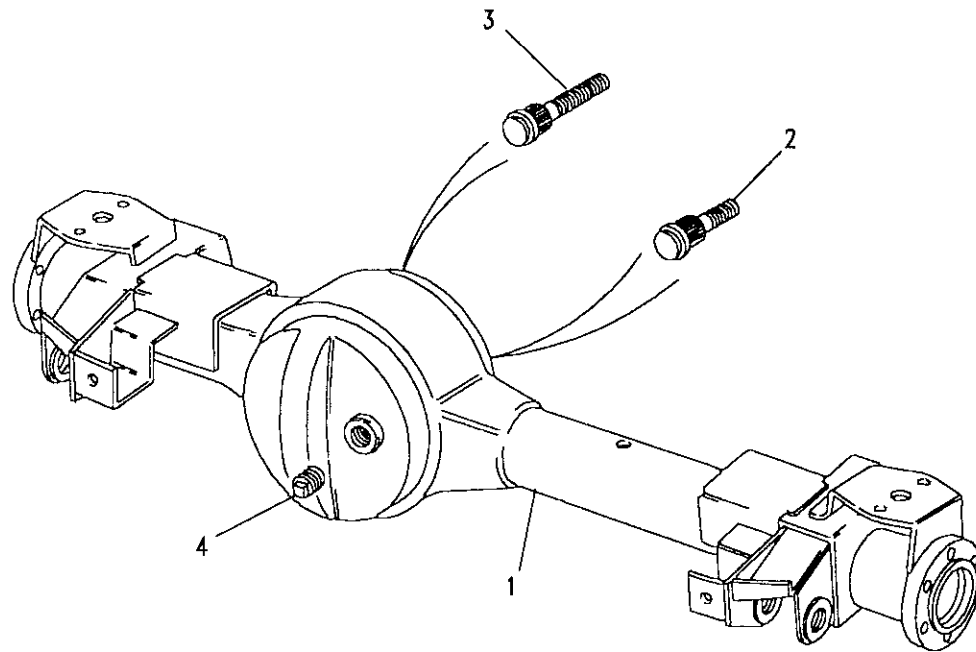
Model DEFENDER 110 1987 onwards  
Page AFEXCC1A

FRONT AXLE - FRONT AXLE CASE

III. Part No. Description Qty Remarks

Vehicles with front disc and rear drum brakes

Upto VIN	Part No.	Description	Qty	Remarks
930434 - 110.	1	FRC4307 Axle case front	1	
110. 930545 - 130	2	561195 Stud	4	
	3	561196 Stud	6	
	4	608246 Plug oil level	2	





DEFENDER 110 1987 onwards

405

AXLES AND SUSPENSION

**Model** DEFENDER 110 1987 onwards  
**Page** AFEXCC2A

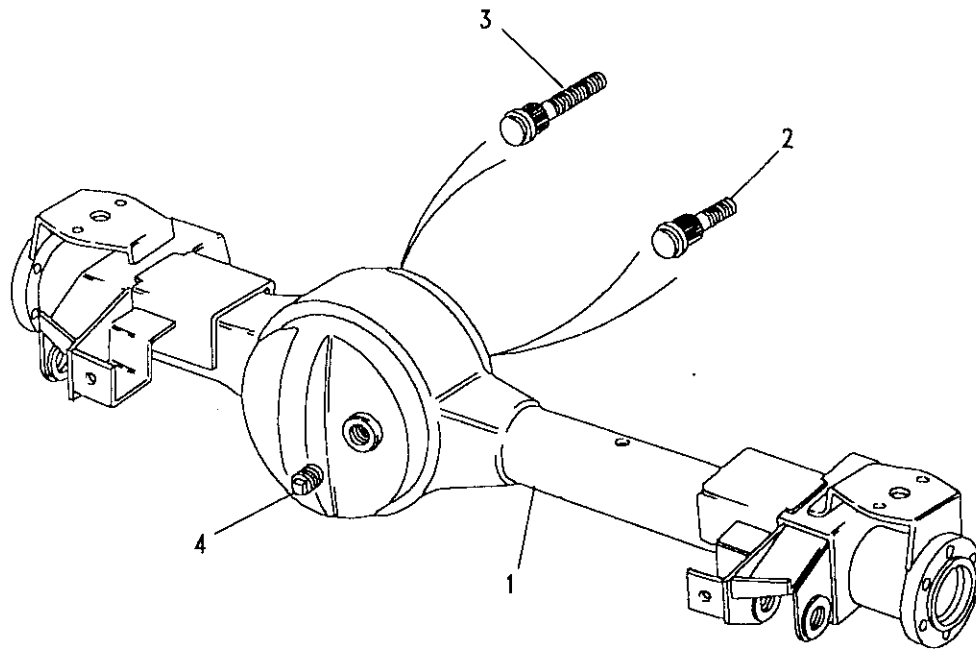
**FRONT AXLE - FRONT AXLE CASE**

**III. Part No. Description Qty Remarks**

**Vehicles with front and rear disc brakes**

**From VIN LA930435 - 110, LA930546 - 130**

1	FTC4413	Axle case front	1	
2	561195	Stud	4	Upto 64L04631A
	561196	Stud	4	From 64L04632A
3	561196	Stud	6	
4	608246	Plug oil level	2	





Model DEFENDER 110 1987 onwards  
 Page AFEXCE1A

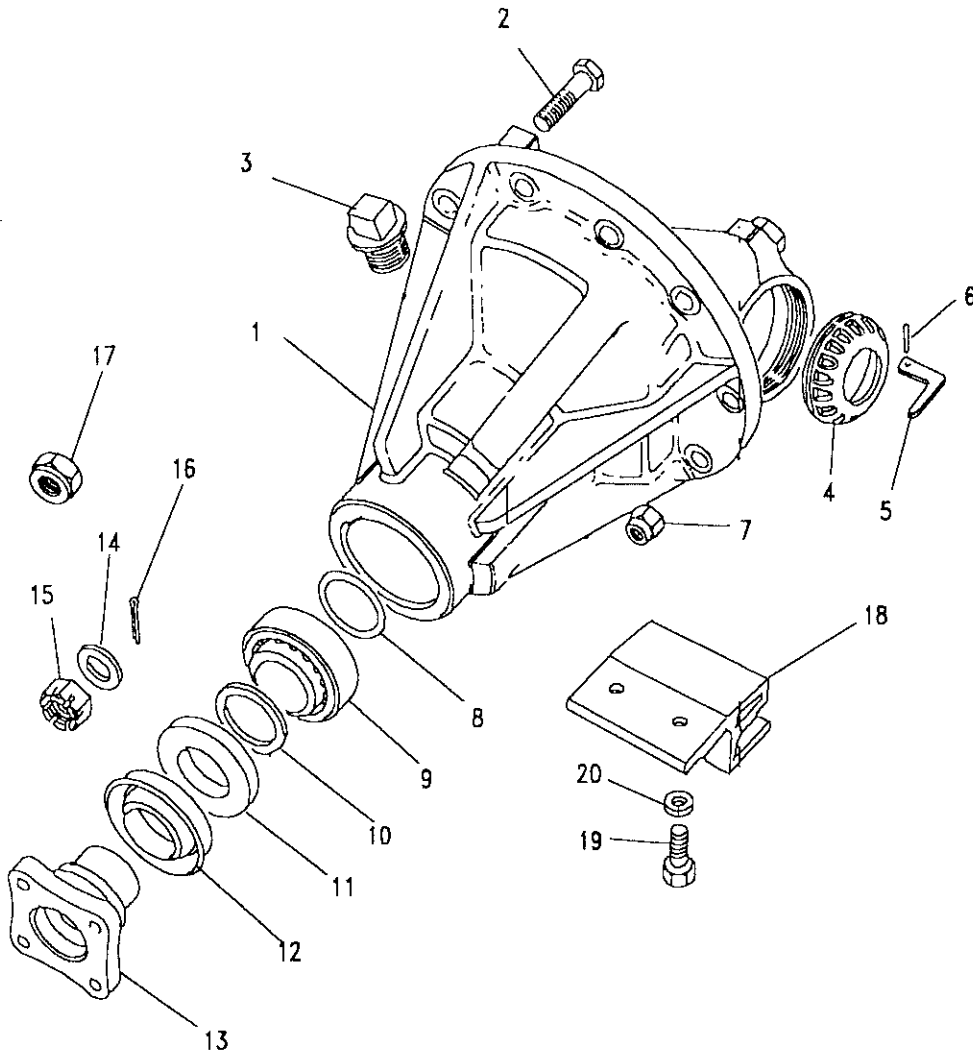
FRONT AXLE - FRONT DIFFERENTIAL

III. Part No. Description Qty Remarks

Vehicles with front disc and rear drum brakes

Upto VIN 930434 - 110, 930545 - 130

1	FRC8521	Differential assembly	1	Use FTC782N
	FTC782N	Differential assembly	1	Upto VIN JA917433
	FTC2750	Differential assy 3.54:1	1	From VIN JA917434
	FTC2750R	Differential assembly	1	Rebuild
1	FRC5690	Housing pinion	1	
2	BH112101L	Set bolt	4	
3	608246	Filler plug	1	
4	FRC5204	Lock ring	2	
5	FRC5661	Locking tab	2	
6	576159	Spring pin	2	
7	NY606041L	Nut nyloc	10	
8	FRC1193	Shim 0.060"	2	
	FRC1195	Shim 0.062"	2	
	FRC1197	Shim 0.064"	2	
	FRC1199	Shim 0.066"	2	
	FRC1201	Shim 0.068"	2	
	FRC1203	Shim 0.070"	2	
	539718	Shim 0.072"	2	
	539720	Shim 0.074"	2	
	539722	Shim 0.076"	2	
	539724	Shim 0.078"	2	



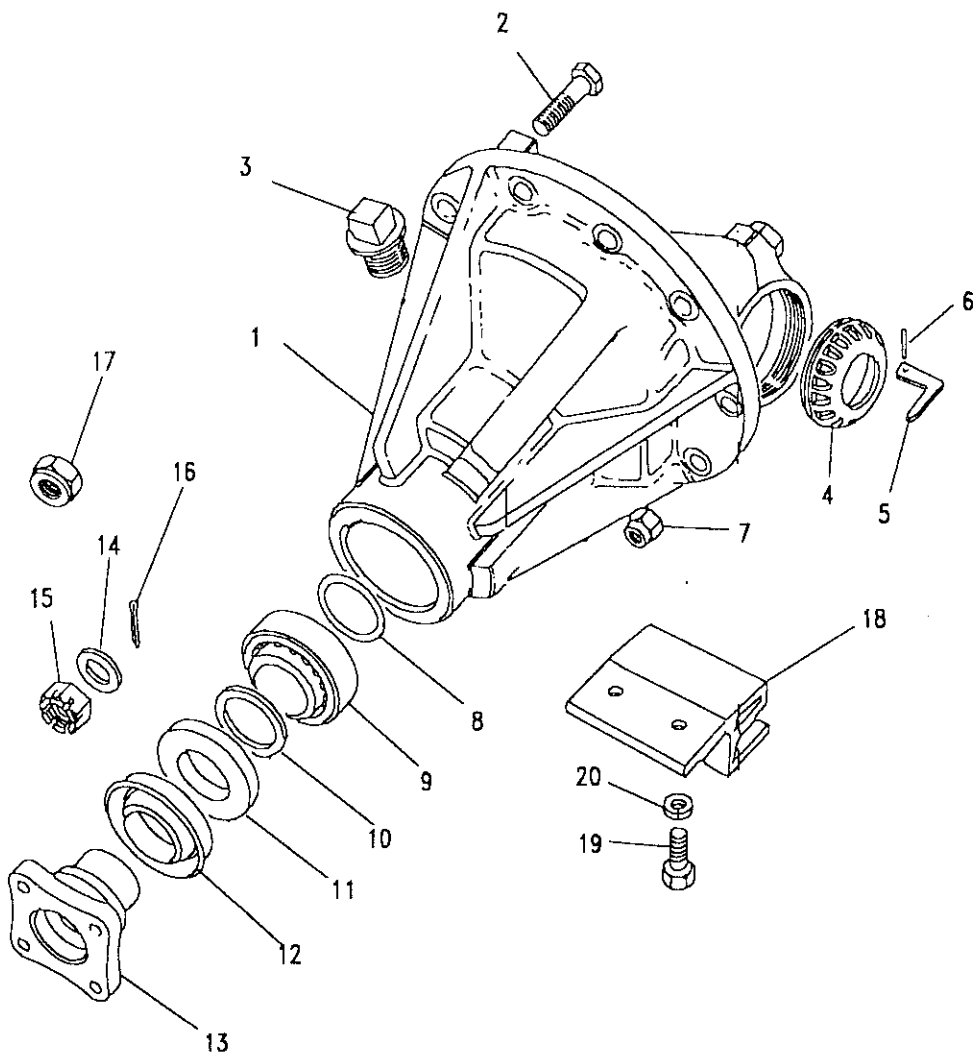
Model DEFENDER 110 1987 onwards

Page AFEXCE1A

FRONT AXLE - FRONT DIFFERENTIAL

III. Part No.	Description	Qty	Remarks
9	539707 Bearing pinion	1	
10	539745 Spacer	1	
11	FRC8220 Oil seal	1	
12	FRC8154 Mud Shield	1	
13	236632 Flange	1	Note(1)
	FRC3002 Flange	1	Note(2)
14	90513454 Washer plain	1	
15	3259 Nut castle	1	Note(3)
16	NY116041 Nut nyloc	1	Note(4,5)
17	PS608101L Pin split	1	
18	NRC9713 Bracket-Track Rod Protect	1	
19	SH406061L Bolt	2	
20	WM600061 Washer spring	2	

Note(1) Use on Differential Assembly FRC8521  
 Note(2) Use on Differential Assembly FTC782N  
 Note(3) Up to LA929665  
 Note(4) From LA929666  
 Note(5) Used with FTC3620





**Model** DEFENDER 110 1987 onwards

**Page** AFEXCE2A

**FRONT AXLE - FRONT DIFFERENTIAL**

**Ill. Part No. Description Qty Remarks**

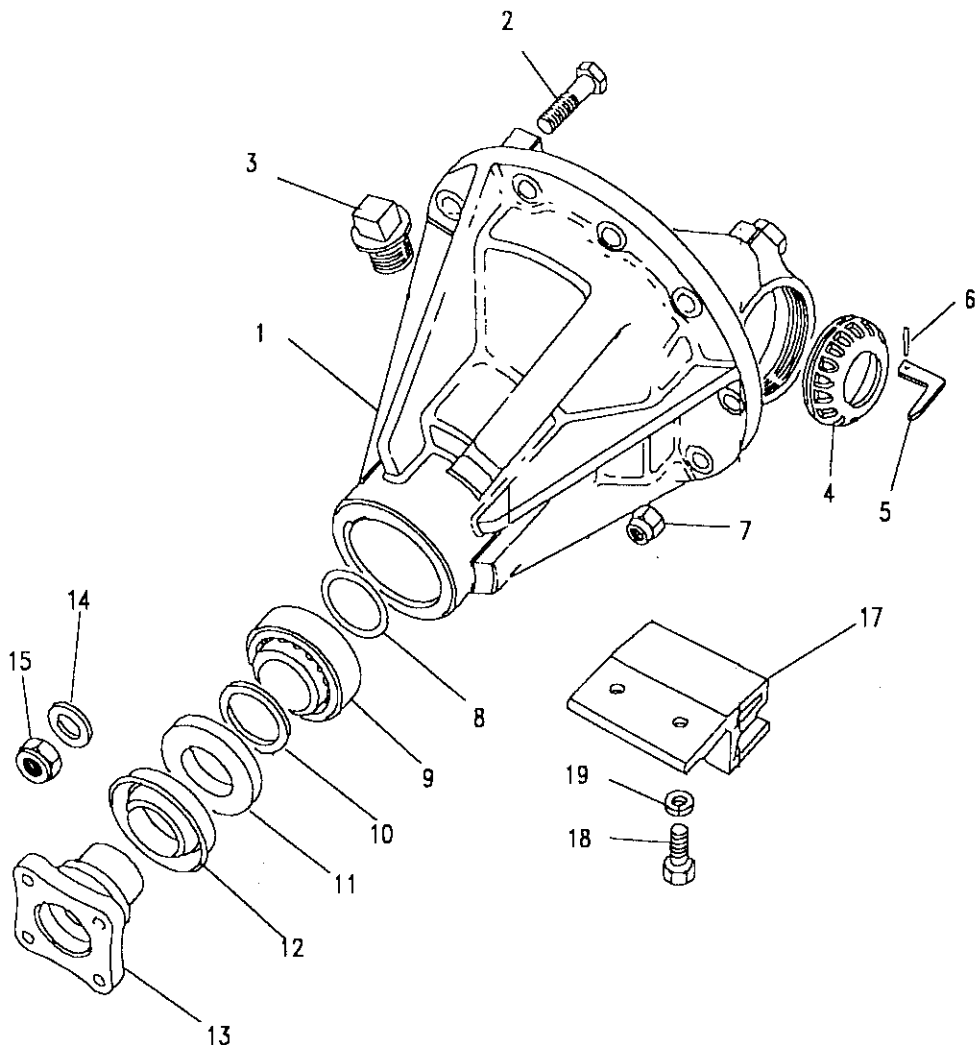
**Vehicles with front and rear disc brakes**

**From VIN LA930435 - 110, LA930546 - 130**

	FTC3272	Differential assembly	1	
	FTC3272R	Differential assembly	1	Rebuild
1	FRC5690	Housing pinion	1	
2	BH112101L	Set bolt	4	
3	608246	Filler plug	1	
4	FRC5204	Lock ring	2	
5	FRC5661	Locking tab	2	
6	576159	Spring pin	2	
7	NY606041L	Nut nyloc	10	

**Selective Shim - tail pinion bearing A/R**

8	FTC3869	2.155mm
	FTC3871	2.105mm
	FTC3873	2.080mm
	FTC3875	2.005mm
	FTC3877	1.955mm
	FTC3879	1.905mm
	FTC3881	1.855mm
	FTC3883	1.805mm
	FTC3885	1.755mm
	FTC3887	1.705mm
	FTC3889	1.655mm
	FTC3891	1.605mm
	FTC3893	1.555mm
	FTC3895	1.505mm

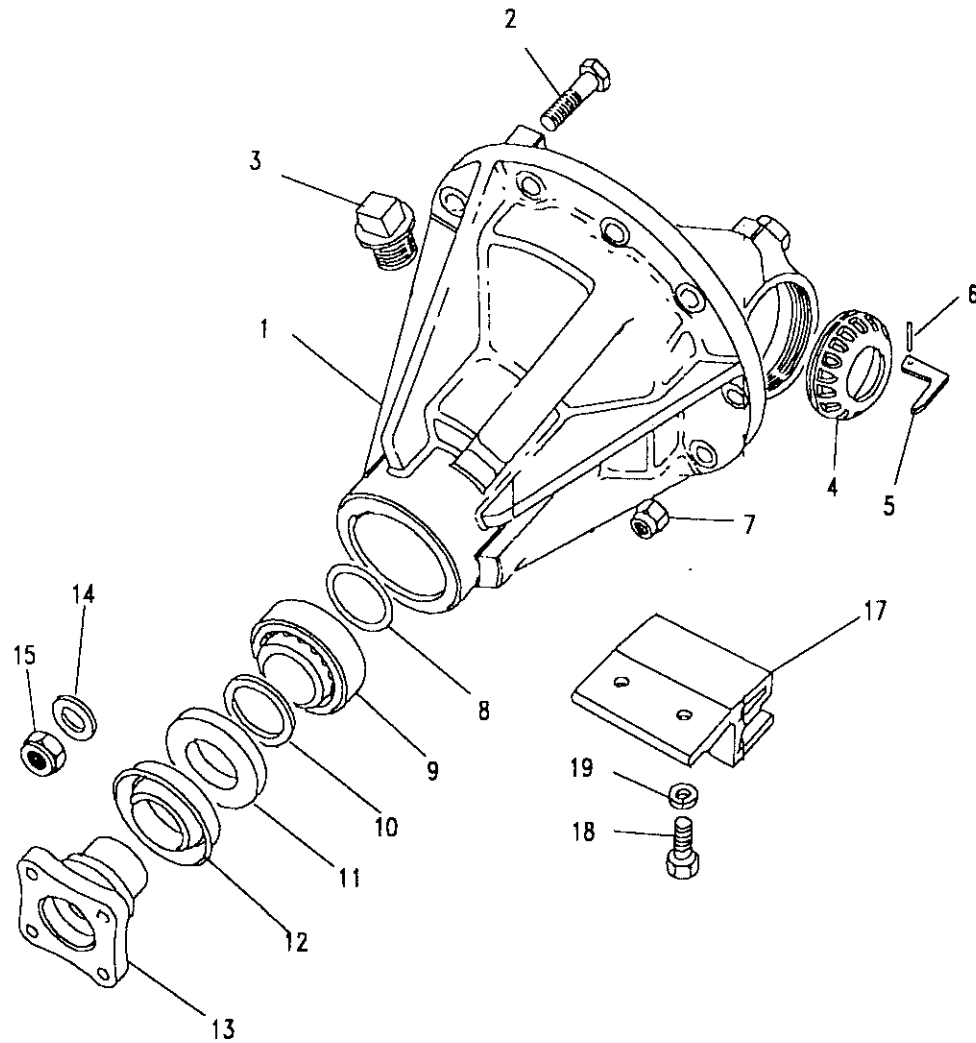




Model DEFENDER 110 1987 onwards  
Page AFEXCE2A

FRONT AXLE - FRONT DIFFERENTIAL

Ill. Part No.	Description	Qty	Remarks
9	539707	1	Bearing pinion
10	539745	1	Spacer
11	FRC8220	1	Oil seal
12	FRC8154	1	Mud Shield
13	FRC3002	1	Flange
14	90513454	1	Washer plain
15	NY116041	1	Nut nyloc
16	NRC9713	1	Bracket-Track Rod Protect
17	SH406061L	2	Bolt
18	WM600061	2	Washer spring



Model DEFENDER 110 1987 onwards

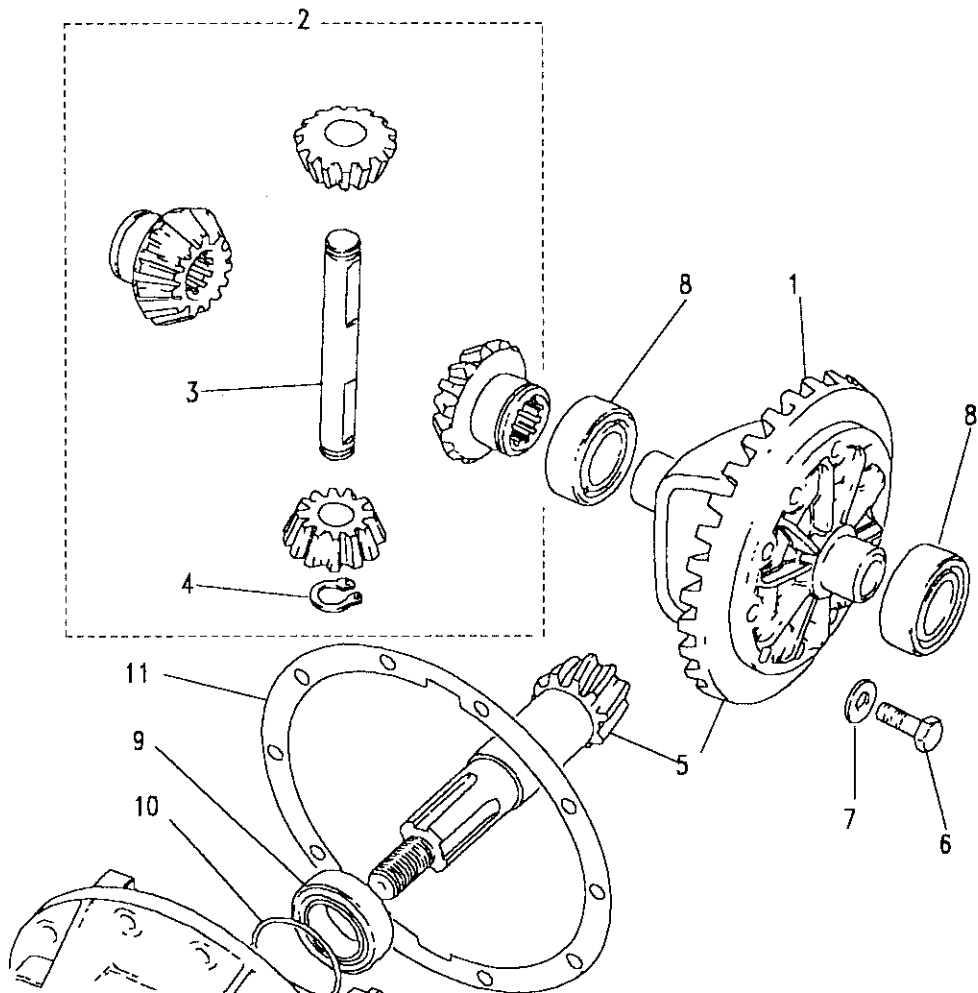
Page AFEXCG1A

FRONT AXLE - FRONT DIFFERENTIAL

III. Part No. Description Qty Remarks

Vehicles with front disc and rear drum brakes

Upto VIN 930434 - 110,	930545 - 130		
1	FRC2933	Case differential	1
2	STC851	Kit gear differential	1
3	599945	Cross shaft	1
4	CCN110L	Circlip	2
5	594493	Crownwheel and pinion	1
	FTC781	Crownwheel and pinion	1
6	593692	Bolt	10
7	593693	Washer plain	10
8	RTC2726	Bearing differential	2
9	539706	Bearing pinion	1
10	549230	Shim 0.038"	1
	549232	Shim 0.040"	1
	549234	Shim 0.042"	1
	549236	Shim 0.044"	1
	549238	Shim 0.046"	1
	549240	Shim 0.048"	1
	549242	Shim 0.050"	1
	549244	Shim 0.052"	1
	549246	Shim 0.054"	1
	549248	Shim 0.056"	1
	549250	Shim 0.058"	1
	549252	Shim 0.060"	1

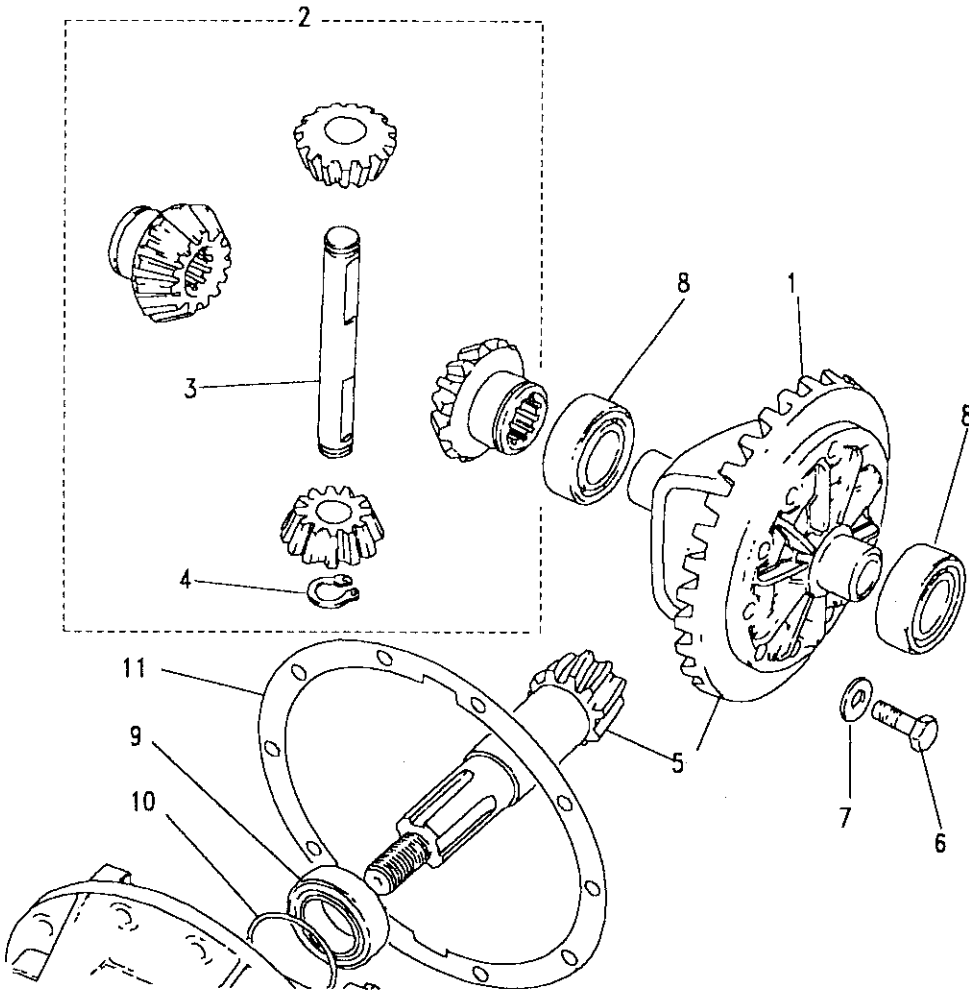


**Model** DEFENDER 110 1987 onwards  
**Page** AFEXCG1A

**FRONT AXLE - FRONT DIFFERENTIAL**

III. Part No.	Description	Qty	Remarks
10 576236	Shim 0.062"	1	
576237	Shim 0.063"	1	
576238	Shim 0.064"	1	
576239	Shim 0.065"	1	
11 7316	Joint washer	1	Note(4)

- Note(1) Use on Differential Assembly FRC8521
- Note(2) Use on Differential Assembly FTC782N
- Note(3) Use FTC781 plus FRC3002
- Note(4) From Axle 20L73298C RHS 21L54972C LHS RTV sealant used not a gasket



Model DEFENDER 110 1987 onwards  
 Page AFEXCG2A

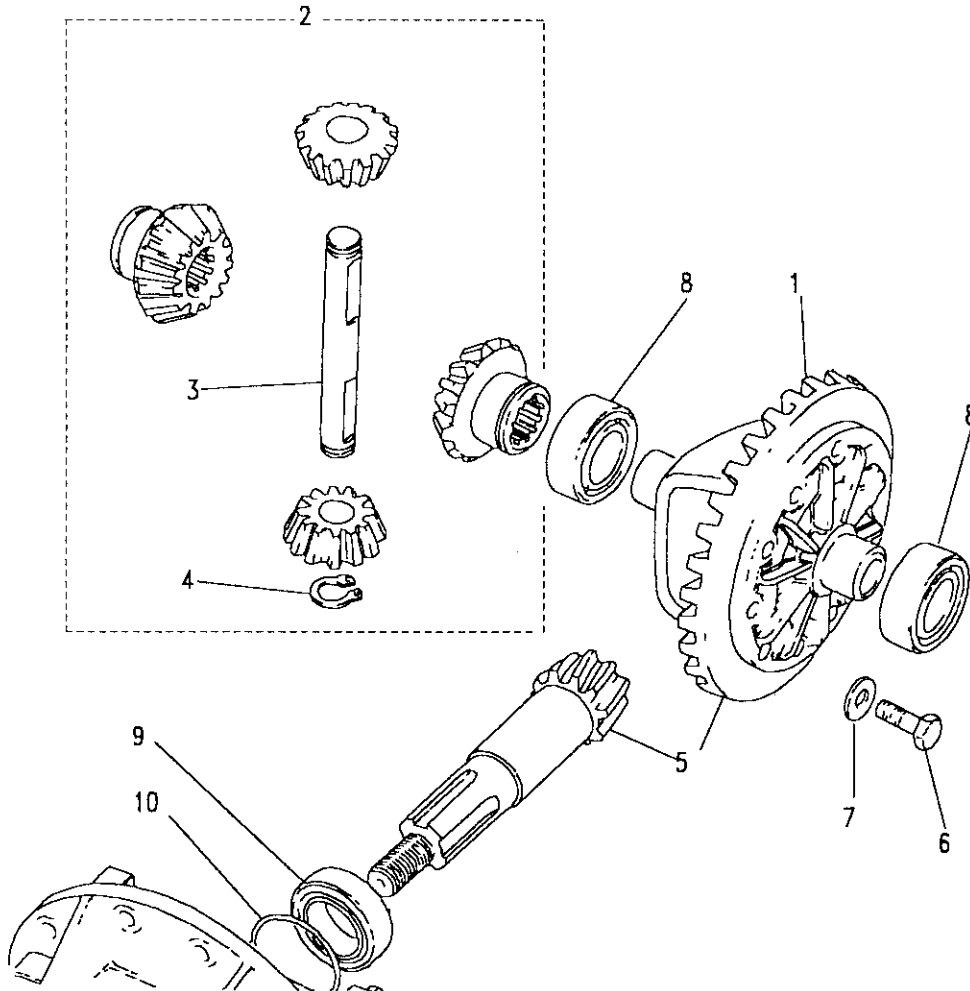
**FRONT AXLE - FRONT DIFFERENTIAL**

III. Part No. Description Qty Remarks

Vehicles with front and rear disc brakes

From VIN LA930435 - 110, LA930546 - 130

1	FRC2933	Case differential	1	Suffix A/B
	FTC3269	Case differential	1	Suffix C
2	STC851	Kit gear differential	1	Suffix A/B
	FTC3267	Wheel differential	2	Suffix C
	FTC3268	Pinion differential	2	Suffix C
3	599945	Cross shaft	1	
4	CCN110L	Circlip	2	
5	FTC781	Crownwheel and pinion	1	Suffix A/B
	FTC3620	Crownwheel and pinion	1	Suffix C
6	593692	Bolt	10	Suffix A/B
	FTC3586	Bolt	10	Suffix C
7	593693	Washer plain	10	
8	RTC2726	Bearing differential	2	Suffix A/B
	STC1602	Bearing differential	2	Suffix C
9	539706	Bearing pinion	1	





Model DEFENDER 110 1987 onwards

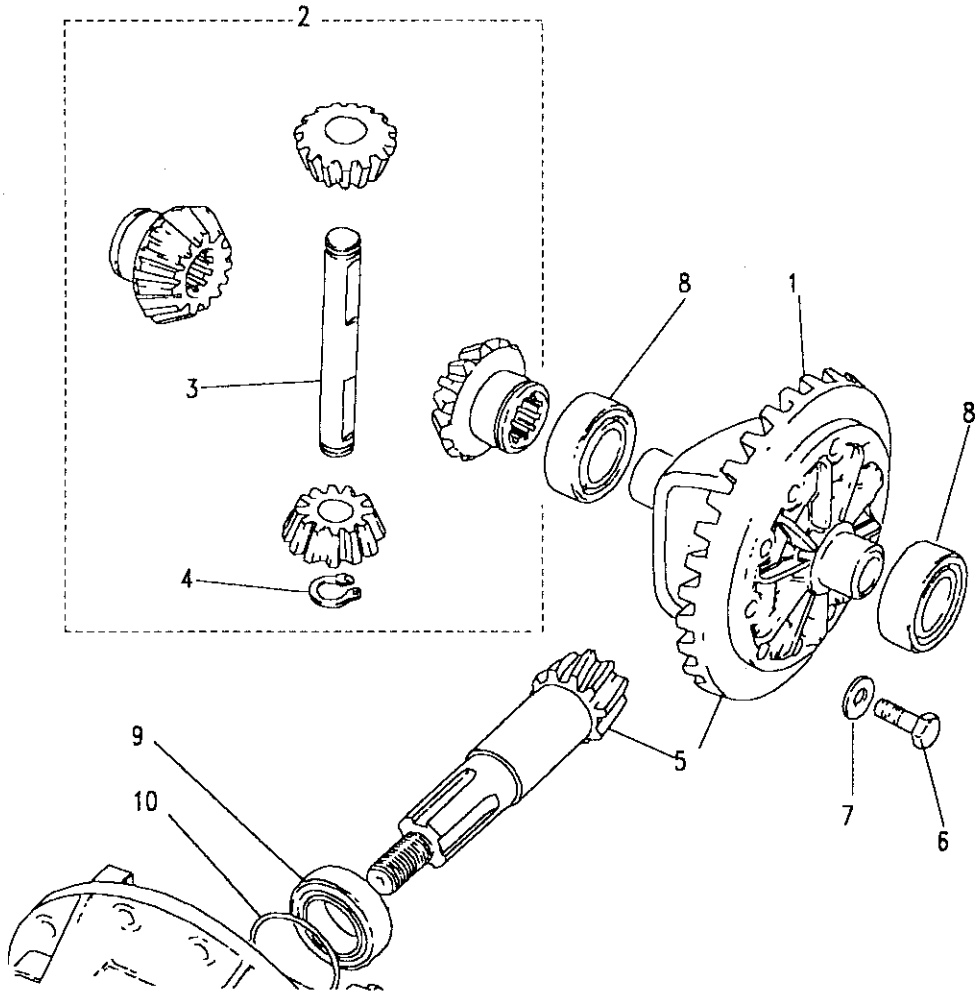
Page AFEXCG2A

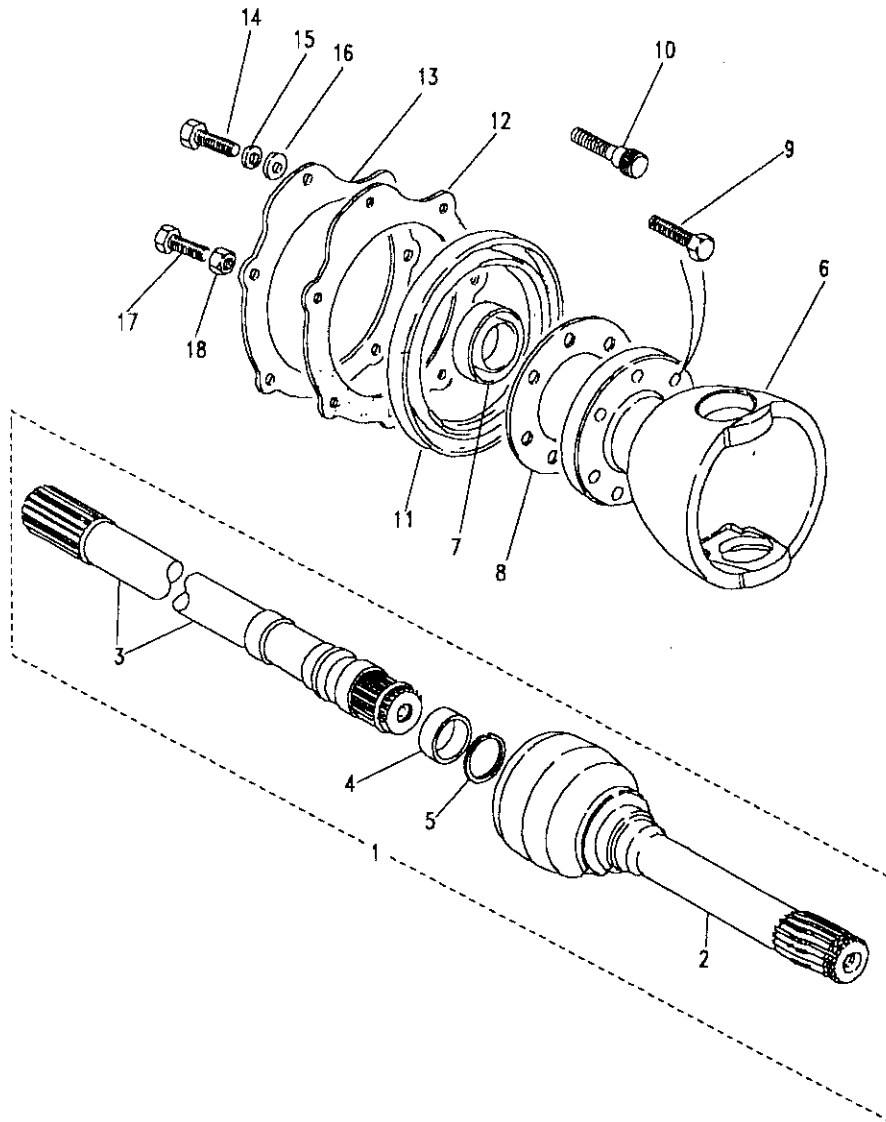
FRONT AXLE - FRONT DIFFERENTIAL

III. Part No.	Description	Qty	Remarks
---------------	-------------	-----	---------

Selective Shim - pinion bearing head - A/R

10	FTC3853	1.548mm	
	FTC3855	1.498mm	
	FTC3857	1.448mm	
	FTC3859	1.398mm	
	FTC3861	1.348mm	
	FTC3863	1.298mm	
	FTC3865	1.248mm	
	FTC3867	1.198mm	





**Model** DEFENDER 110 1987 onwards  
**Page** AFEXC11A

**FRONT AXLE - DRIVE SHAFTS**

**III. Part No. Description Qty Remarks**

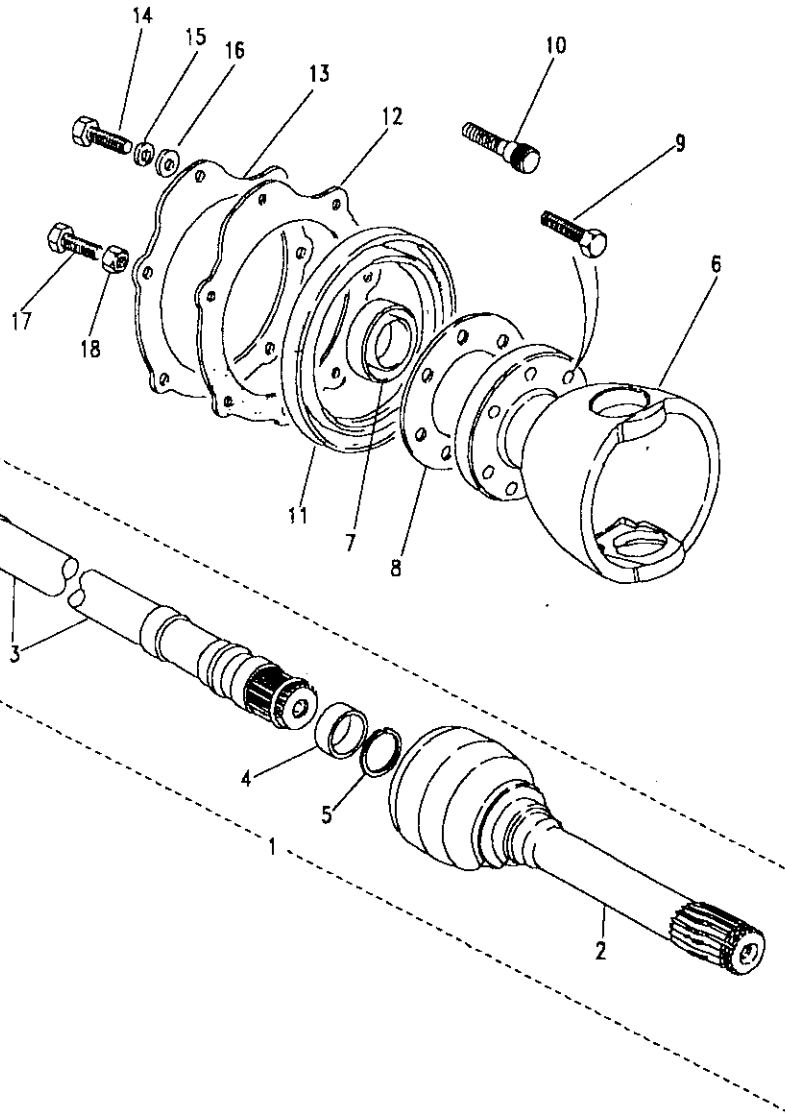
**Vehicles with front disc and rear drum brakes**

**Upto VIN 930434 - 110, 930545 - 130**

1	FRC3890	Halfshaft assembly RH	1	Note(1)
	FRC3891	Halfshaft assembly LH	1	Note(1)
	FTC1332	Halfshaft assembly RH	1	Note(2)
	FTC1333	Halfshaft assembly LH	1	Note(2)
2	AEU2522	Constant velocity joint	2	Note(1)
	RTC6862	Constant velocity joint	2	Note(2)
3	AEU2520	Halfshaft RH	1	Note(1)
	AEU2521	Halfshaft LH	1	Note(1)
	RTC6754	Halfshaft RH	1	Note(2)
	RTC6755	Halfshaft LH	1	Note(2)
4	FTC254	Spacer	2	Note(1)
	RTC5841	Spacer	2	Note(2)
5	RTC4820	Circlip	2	Note(1)
	STC579	Circlip	2	Note(2)
6	FRC2644	Housing bearing	2	
7	571718	Oil Seal	2	
8	FRC2349	Joint Washer	2	NLA use FTC3646
	FTC3646	Joint washer	2	Asbestos free

Note(1) Upto 20L48865 RHS, 21L33355 LHS  
 Note(2) From 20L48866 RHS, 21L33356 LHS





**Model** DEFENDER 110 1987 onwards  
**Page** AFEXC11A

**FRONT AXLE - DRIVE SHAFTS**

III. Part No.	Description	Qty	Remarks
9	FTC3456 Bolt swivel housing	12	
10	FTC3454 Dowel Bolt	2	
	FRC8530 Washer	14	
11	FRC2889 Oil Seal	2	Note(1)
	FTC3401 Oil seal	2	Note(2)
12	FRC4206 Joint Washer	2	
13	FRC4142 Retaining Plate	2	
14	SH106121L Bolt	14	
15	WL106001 Washer spring	14	
16	WA106001L Washer plain	14	
17	AFU1234 Bolt lock	2	
18	NT112041L Lock nut	2	

Note(1) Upto 20L74081C RHS, 21L55147C LHS, 24L00953C RHS  
 Note(2) From 20L74082C RHS, 21L55148C LHS, 24L00954C RHS





**Model** DEFENDER 110 1987 onwards  
**Page** AFEXCI2A

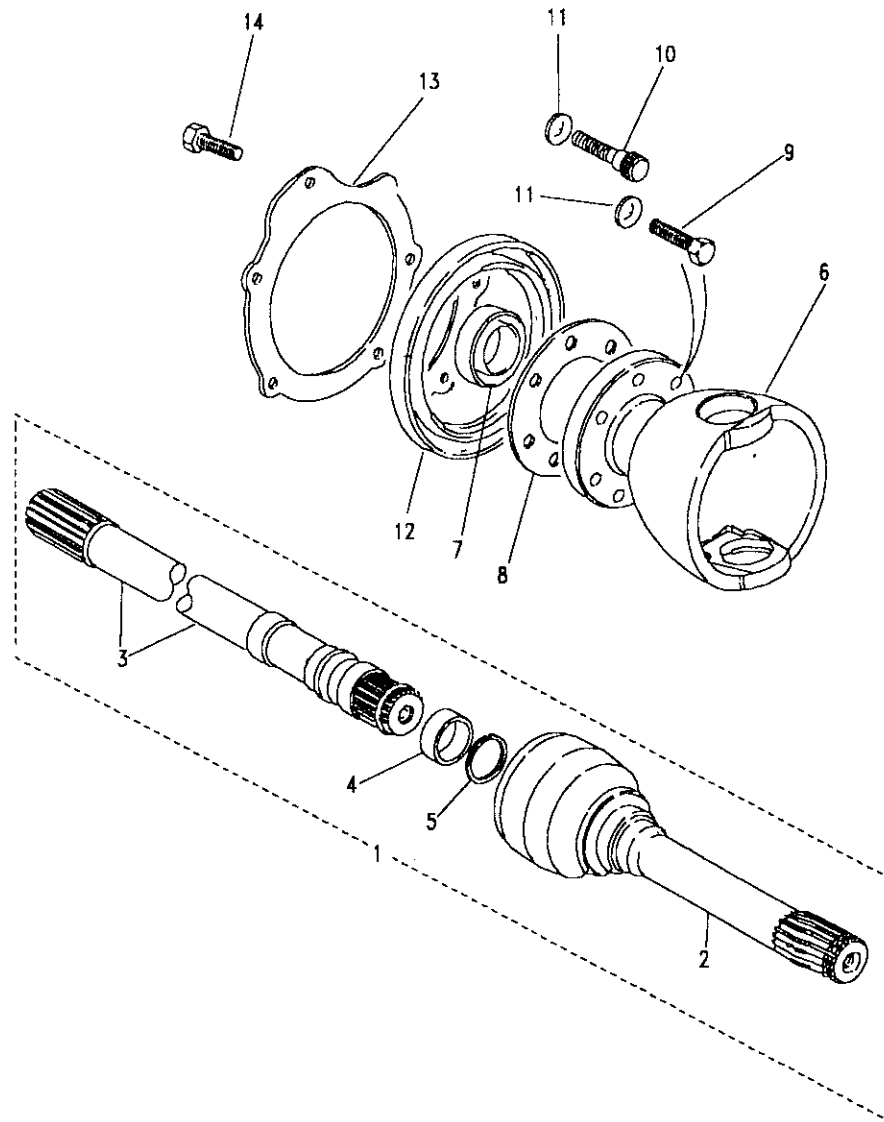
**FRONT AXLE - DRIVE SHAFTS**

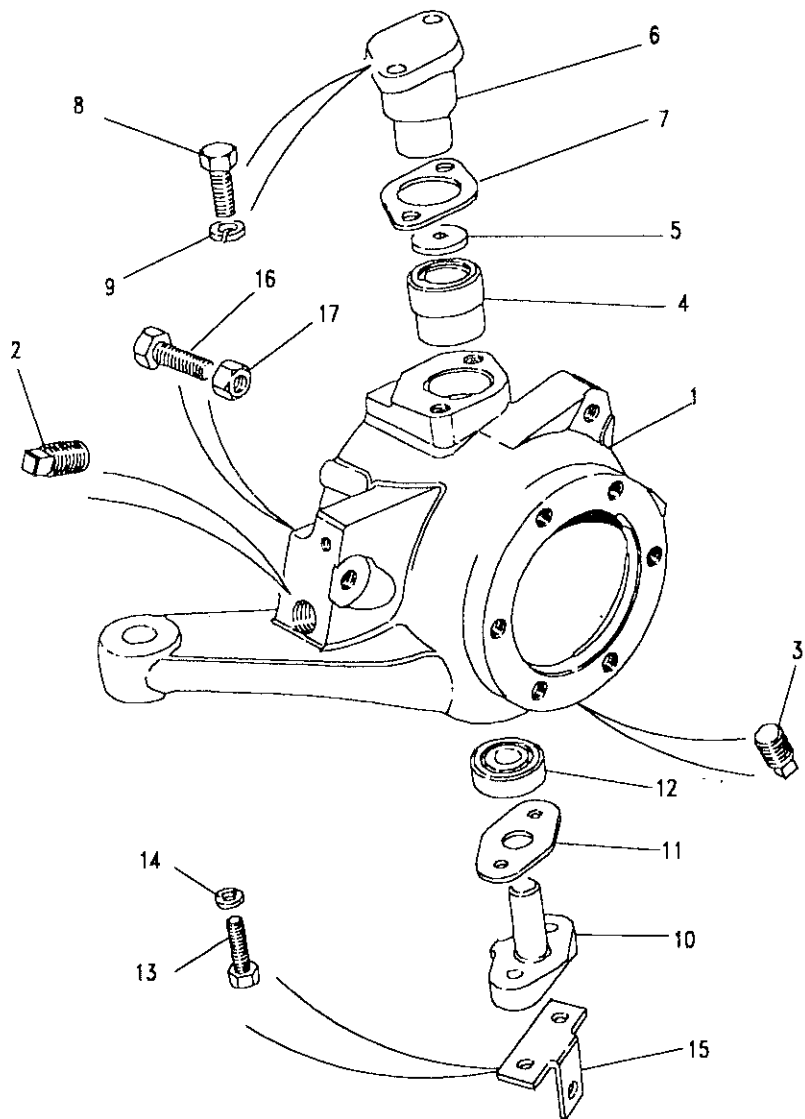
**III. Part No. Description Qty Remarks**

**Vehicles with front and rear disc brakes**

**From VIN LA930435 - 110, LA930546 - 130**

1	FTC3148	Halfshaft assembly RH	1	
	FTC3149	Halfshaft assembly LH	1	
2		Constant velocity joint	2	NSP
3		Halfshaft RH	1	NSP
		Halfshaft LH	1	NSP
4		Spacer	2	NSP
5	STC579	Circlip	2	NSP
6	FRC7065	Housing bearing	2	
7	FTC3276	Oil Seal	2	
8	FRC2349	Joint Washer	2	NLA use FTC3646
	FTC3646	Joint Washer	2	Asbestos free
9	FTC3456	Bolt swivel housing	12	
10	FTC3454	Dowel Bolt	2	
11	FRC8530	Washer	14	
12	FTC3401	Oil Seal	2	
13	571755	Plate retaining	2	
14	FS106121	Bolt	12	





Model DEFENDER 110 1987 onwards

Page AFEXCK1A

**FRONT AXLE - SWIVEL PIN HOUSING**

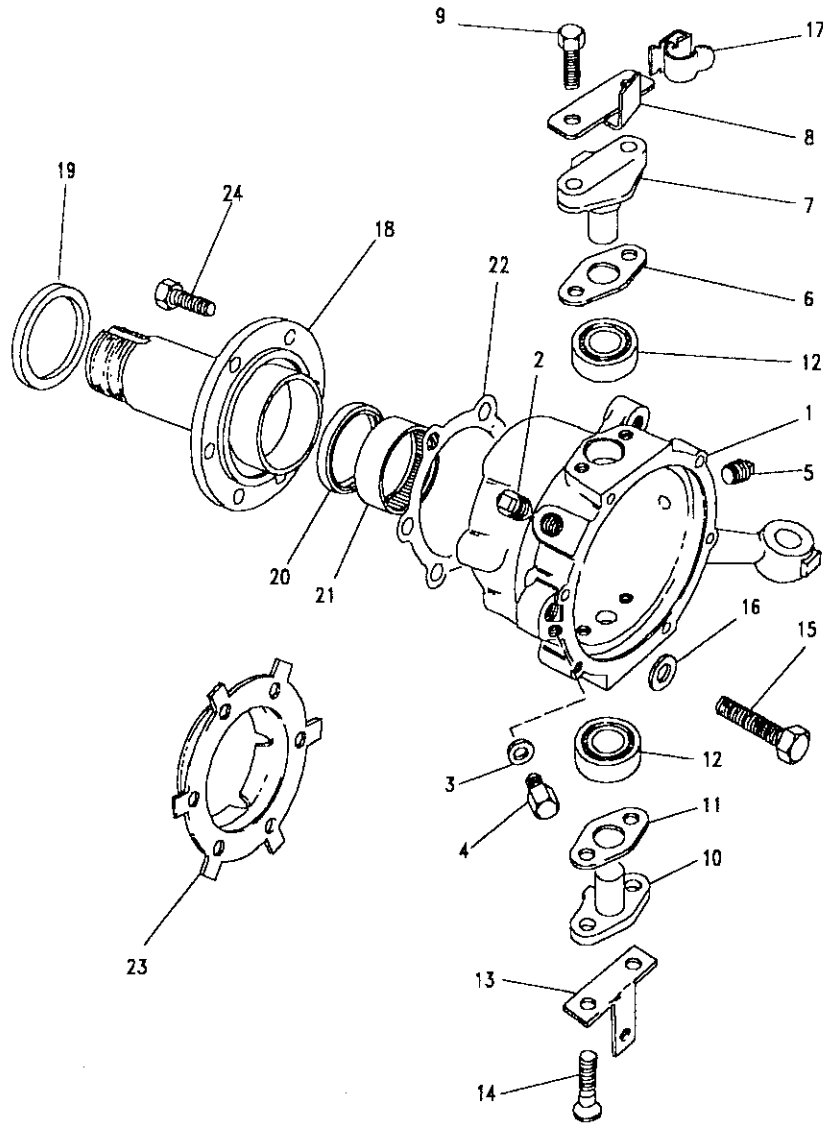
III. Part No. Description Qty Remarks

Vehicles with front disc and rear drum brakes

Upto VIN 930434 - 110, 930545 - 130

1	FRC4838	Housing swivel pin-RH RHS	1	Upto VIN JA909205
	FRC4839	Housing swivel pin-LH RHS	1	Upto VIN JA909205
	FRC4840	Housing swivel pin-RH LHS	1	Upto VIN JA909205
	FRC4841	Housing swivel pin-LH LHS	1	Upto VIN JA909205
1	FTC2528	Housing swivel pin-RH RHS	1	From VIN JA909206
	FTC2529	Housing swivel pin-LH RHS	1	From VIN JA909206
	FTC2530	Housing swivel pin-RH LHS	1	From VIN JA909206
	FTC2531	Housing swivel pin-LH LHS	1	From VIN JA909206
2	3291	Filler plug	2	
3	3290	Drain plug	2	
4	FRC2916	Housing and bush	2	
5	FRC2906	Washer thrust	2	
6	FRC3511	Swivel pin upper	2	
7	FRC2883	Shim 0.075mm	2	
	FRC2884	Shim 0.130mm	2	
	FRC2885	Shim 0.250mm	2	
	FRC2886	Shim 0.750mm	2	
8	BX110071M	Bolt M10 m/encap	4	Note(1)
9	WL110001	Washer spring	4	
10	FRC2894	Swivel pin lower	1	
11	FRC2897	Joint washer	1	NLA use FTC3647
	FTC3647	Joint washer	1	Asbestos free
12	606666	Bearing	1	
13	BH108061M	Flange Bolt	4	Note(1)
14	WL108001L	Washer spring	2	
15	FRC3725	Bracket retaining	1	
16	AFU1234	Bolt lock	2	steering stop
17	NT112041	Lock nut	2	

Note(1) Pre-impregnated with adhesive.



**Model** DEFENDER 110 1987 onwards  
**Page** AFEXCK2A

**FRONT AXLE - SWIVEL PIN HOUSING**

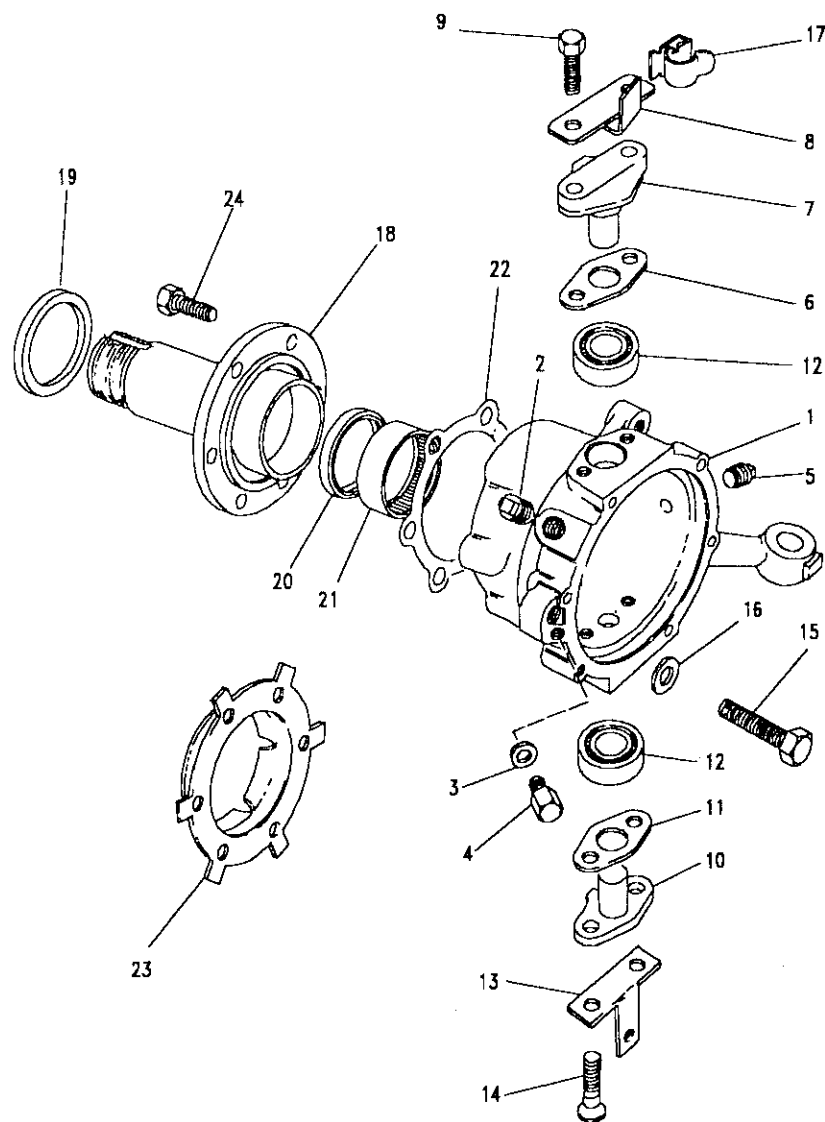
**Ill. Part No.**                      **Description**                      **Qty** **Remarks**

**Vehicles with front and rear disc brakes**

**From VIN LA930435 - 110, LA930546 - 130**

1	FTC3308	Housing swivel pin-RH	1	RHS
	FTC3309	Housing swivel pin-LH	1	RHS
	FTC3310	Housing swivel pin-RH	1	LHS
	FTC3311	Housing swivel pin-LH	1	LHS
2	3292	Plug oil filler	2	
3	230511	Joint washer	2	
4	236070	Plug oil drain	2	
5	FTC3670	Plug oil level	2	
6	FRC2883	Shim 0.075"	2	
	FRC2884	Shim 0.130"	2	
	FRC2885	Shim 0.250"	2	
	FRC2886	Shim 0.750"	2	
7	FTC2882	Swivel pin upper	2	
8	90576928	Washer locking	2	
9	BX110071M	Bolt M10 m/encap	4	Note(1)
10	FRC2894	Swivel pin lower	2	
11	FRC2897	Joint washer	2	NLA use FTC3647
	FTC3647	Joint washer	2	Asbestos free





**Model** DEFENDER 110 1987 onwards  
**Page** AFEXCK2A

**FRONT AXLE - SWIVEL PIN HOUSING**

Ill. Part No.	Description	Qty	Remarks
12	606666	4	Bearing
13	FRC3725	2	Bracket retaining
14	FTC3455	4	Screw
15	BH108061M	4	Flange Bolt
16	WL108001L	4	Washer spring
17	NTC6944	2	Clip retaining
18	FTC3183	2	Axle stub
19	FTC56	2	Thrust ring
20	FTC840	2	Oil seal
	FTC3145	2	Oil seal
21	FTC861	2	Bearing
22	FRC3205	2	Joint washer
	FTC3648	2	Joint washer
23	FRC2310	2	Plate locking
24	SX110251M	12	Bolt

Note(1) Pre-impregnated with adhesive.  
 Note(2) Up to 20L77036C - RHS & 21L56452C - LHS  
 Note(3) From 20L77037C - RHS & 21L56453C - LHS

Model DEFENDER 110 1987 onwards  
 Page AFEXCM1A

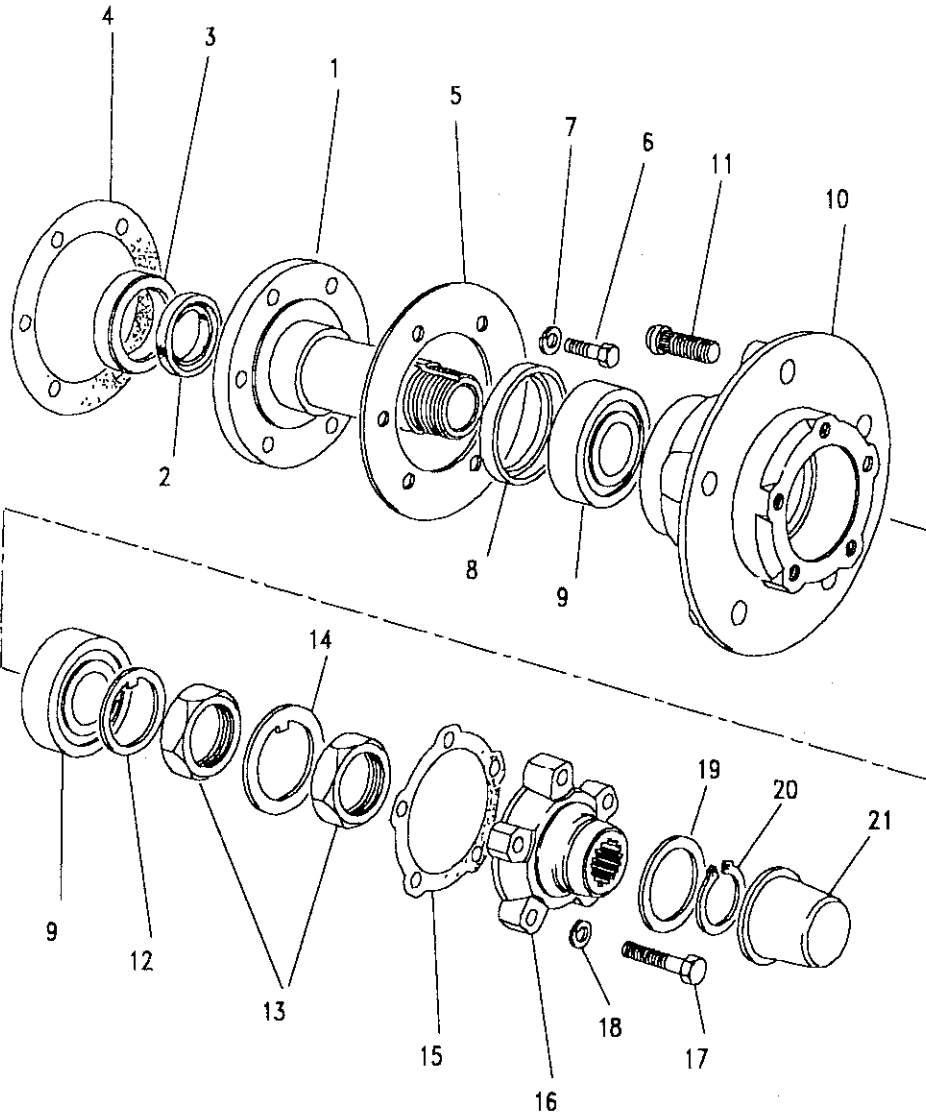
FRONT AXLE - FRONT HUB

III. Part No. Description Qty Remarks

Vehicles with front disc and rear drum brakes

Upto VIN 930434 - 110, 930545 - 130

1	FRC4320	Axle stub	2	
2	FRC3099	Oil seal	2	
3	FRC4319	Bush stub axle	2	
4	FTC3648	Joint washer	2	
5	FRC2310	Plate locking	2	
6	SX110251M	Bolt	12	
7	WL110001L	Washer spring	12	
8	FRC8221	Oil seal	2	
	FTC2783	Oil seal hub	1	From Note(1) From 6/7/92
9	RTC3429	Bearing	2	
10	FRC6139	Hub assembly	2	
11	FRC6137	Stud	10	
12	217352	Key washer	2	
13	FRC8700	Lock nut	4	
14	217353	Locker	2	
15	FRC3988	Joint washer	2	
16	FRC5806	Driving member	2	
17	AFU1181	Bolt hub	10	NLA use FC110107L
	FC110107L	Bolt hub	10	
18	WL110001L	Washer spring	10	



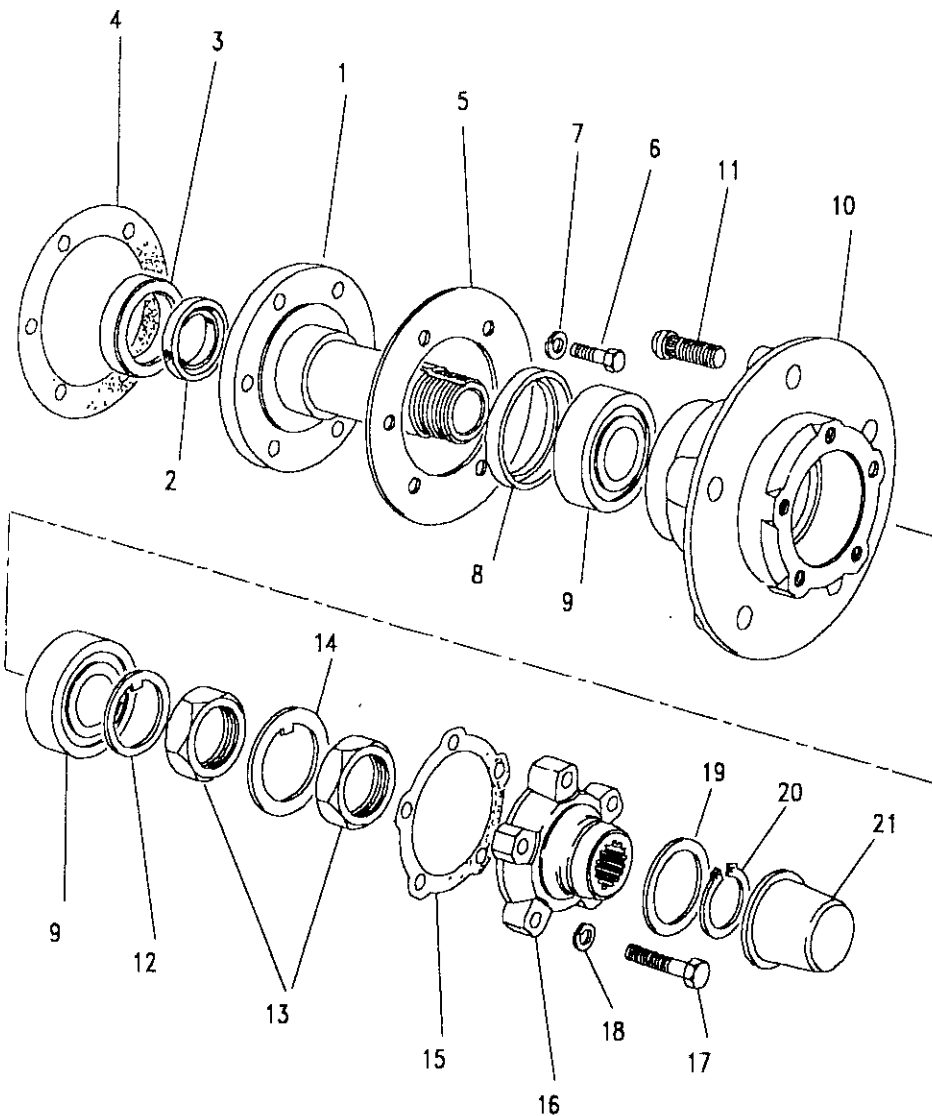


Model DEFENDER 110 1987 onwards  
Page AFEXCM1A

FRONT AXLE - FRONT HUB

III. Part No.	Description	Qty	Remarks
19 FRC6782	Shim 0.45mm	4	
FRC6783	Shim 0.60mm	4	
FRC6784	Shim 0.75mm	4	
FRC6785	Shim 0.90mm	4	
FRC6786	Shim 1.05mm	4	
FRC6787	Shim 1.20mm	4	
FRC6788	Shim 1.35mm	4	
FRC6789	Shim 1.50mm	4	
FRC6790	Shim 1.65mm	4	
20 549473	Circlip	2	
21 FRC4377	Hub cap	2	

Note(1) From Axle No 20L70576C RHS, 21L52061C LHS



Model DEFENDER 110 1987 onwards  
 Page AFEXCM2A

FRONT AXLE - FRONT HUB

III. Part No. Description Qty Remarks

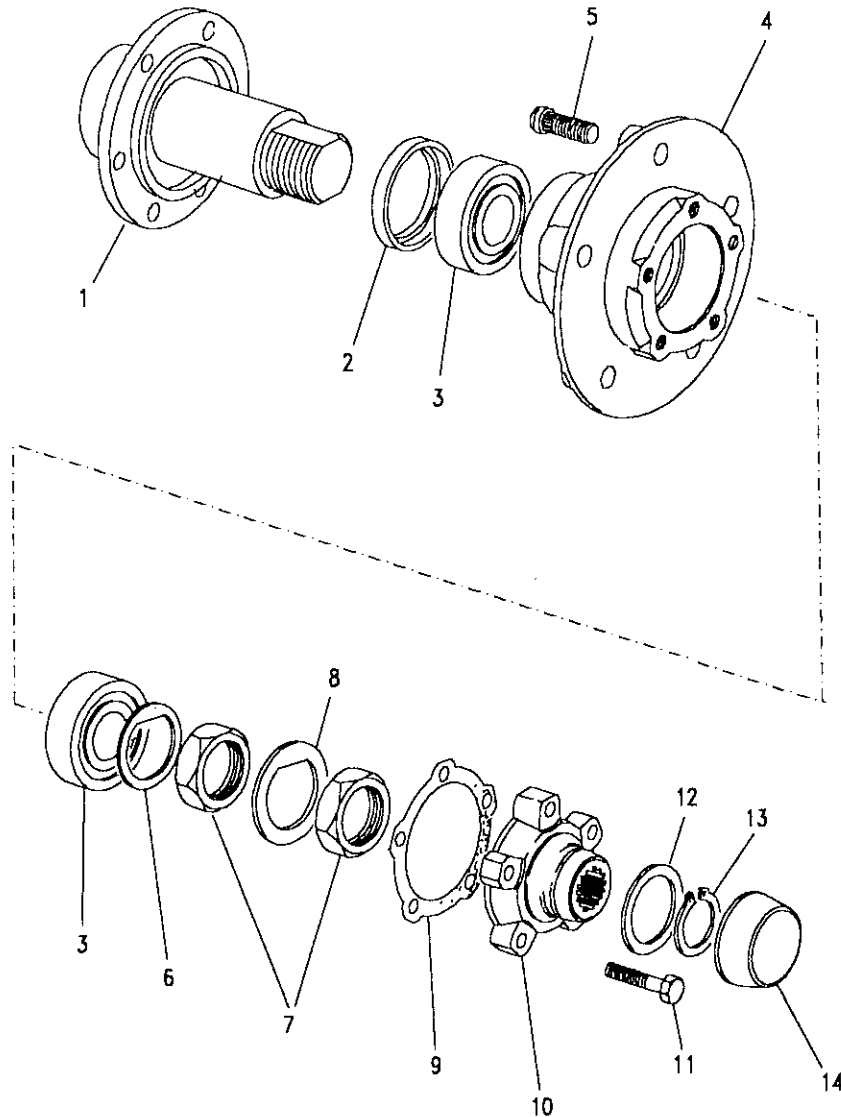
Vehicles with front and rear disc brakes

From VIN LA930435 - 110, LA930546 - 130

1	FTC3183	Axle stub	2	Note(1)
2	FTC2783	Oil seal inner	2	
3	RTC3429	Bearing	4	
4	FTC942	Hub assembly	2	
5	FRC5926	Stud	10	
6	FTC3185	Washer stub axle	2	
7	FRC8700	Nut	4	
8	FTC3179	Washer lock	2	
9	571752	Washer joint	2	
10	FTC859	Hub driving member	2	
11	BX110095M	Bolt m/encapsulated	10	Note(2)
	FRC6782	Shim 0.045mm	2	
	FRC6783	Shim 0.060mm	2	
	FRC6784	Shim 0.075mm	2	
	FRC6785	Shim 0.090mm	2	
	FRC6786	Shim 1.05mm	2	
	FRC6787	Shim 1.20mm	2	
	FRC6788	Shim 1.35mm	2	
	FRC6789	Shim 1.50mm	2	
	FRC6790	Shim 1.65mm	2	
13	549473	Circlip	2	
14	FTC943	Cap hub	2	

Note(1)  
 Note(2)

Also shown on page AFEXCK  
 Pre-impregnated with adhesive.





Model DEFENDER 110 1987 onwards

Page AFEXEA1A

REAR AXLE - REAR AXLE ASSEMBLY

III. Part No.	Description	Qty	Remarks
---------------	-------------	-----	---------

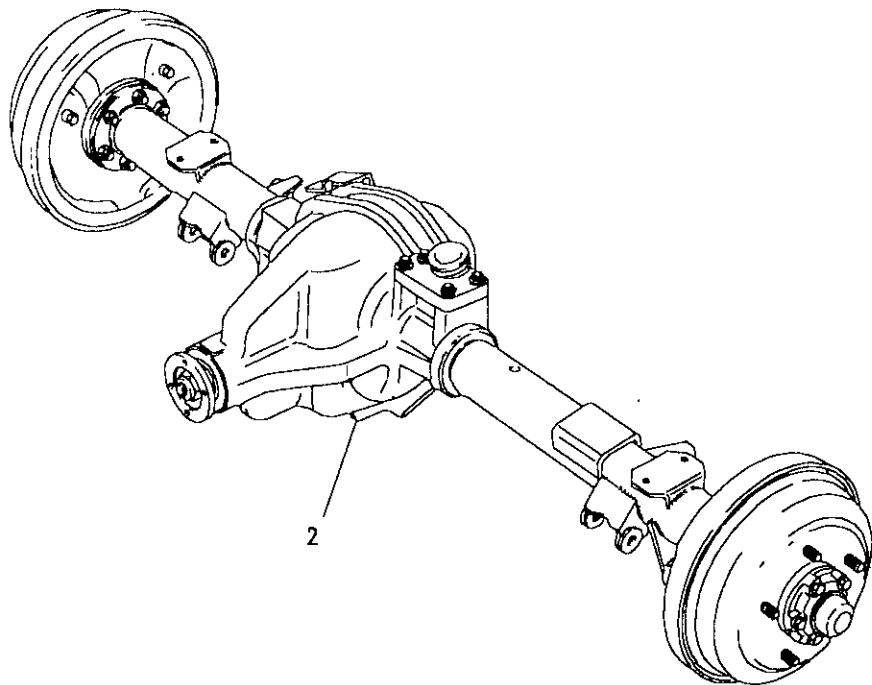
Vehicles with front disc and rear drum brakes

Upto VIN 930434 - 110, 930545 - 130

1	FTC2352	Axle assembly rear	1	21S
2	FTC3721	Housing assembly	1	Note(1)
1	FTC2353	Axle assembly rear	1	Note(2)
2	FTC2212	Housing assembly	1	Note(1)

Note(1) Axle assembly rear, less axle shafts, hubs and brakes.

Note(2) Heavy duty 3.54 ratio axle 24S suffix B, Defender 110 over 3050kg and all Defender 130







Model DEFENDER 110 1987 onwards

Page AFEXEA1A

REAR AXLE - REAR AXLE ASSEMBLY

III. Part No.	Description	Qty	Remarks
---------------	-------------	-----	---------

Vehicles with front and rear disc brakes

Defender 110 - 4 Cylinder - From VIN LA930435

1	FTC3304	Axle assembly rear	1 39S
2	FTC3721	Housing assembly	1

Defender 110 - V8 - From VIN LA930435

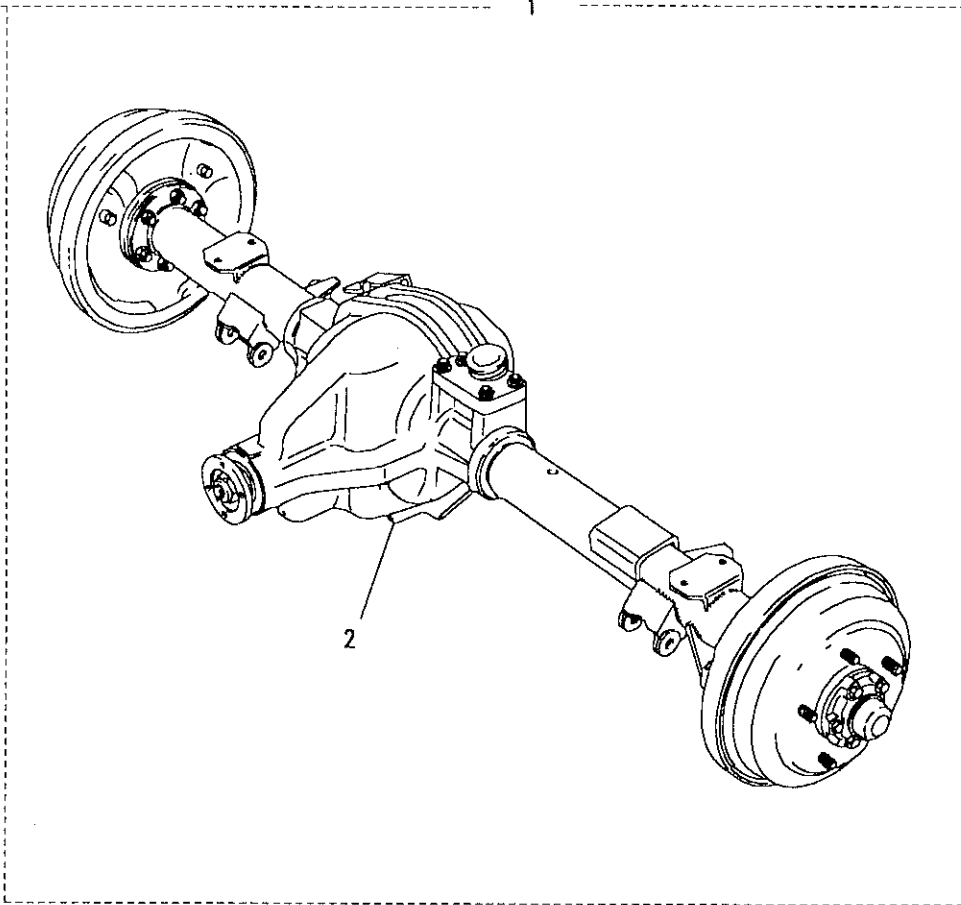
1	FTC3304	Axle assembly rear	1 39S
2	FTC3721	Housing assembly	1

Defender 110 V8 Heavy Duty - From VIN LA930435

1	FTC3232	Axle assembly rear	1 38S
2	FTC3722	Housing assembly	1

Defender 130 - From VIN LA930546

1	FTC3232	Axle assembly rear	1 38S
2	FTC3722	Housing assembly	1

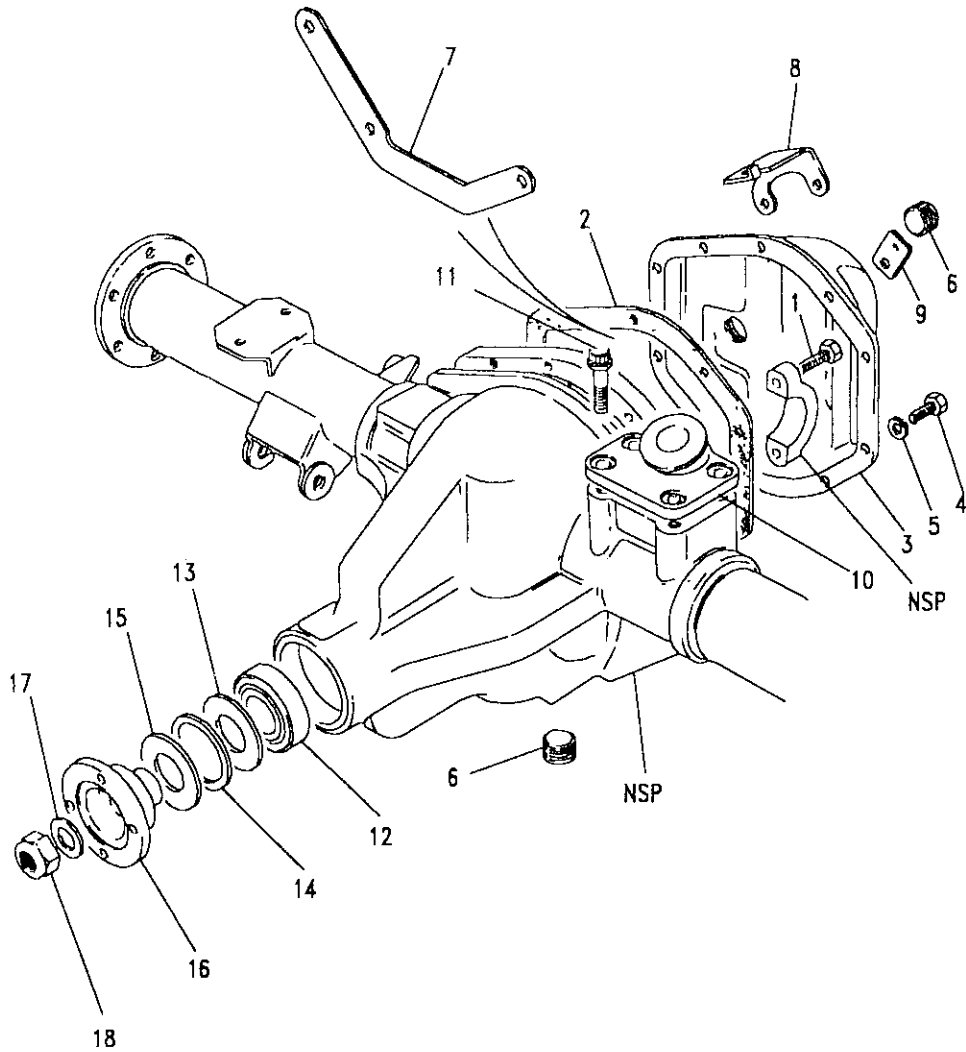


Model DEFENDER 110 1987 onwards

Page AFEXEC1A

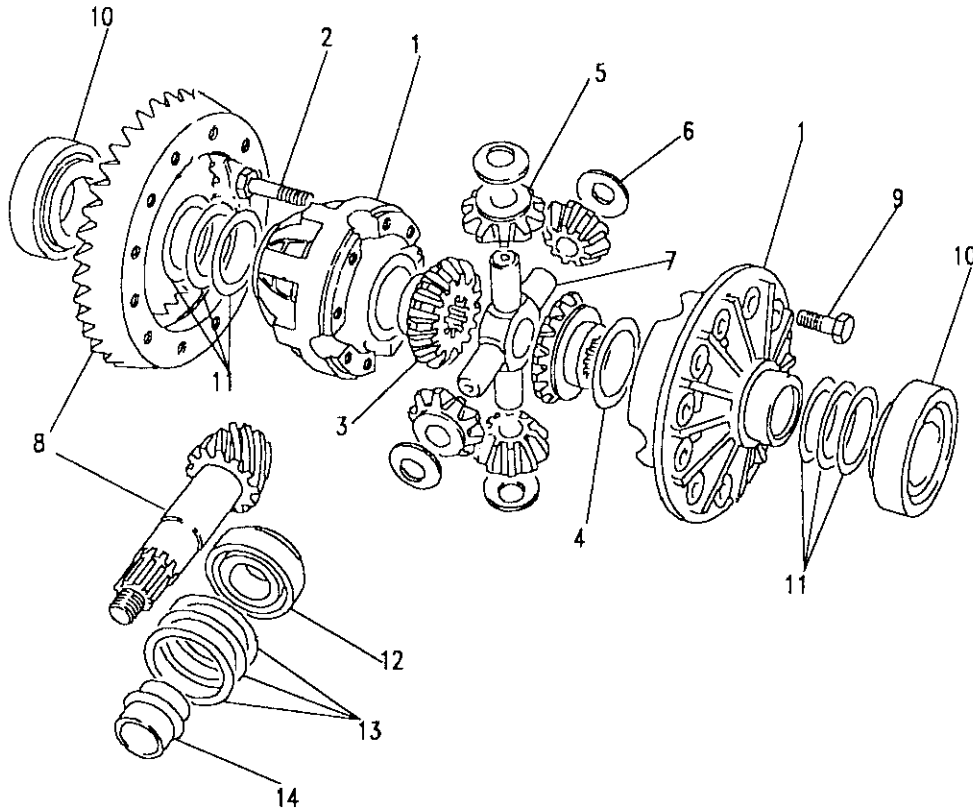
REAR AXLE - AXLE CASE REAR

III. Part No.	Description	Qty	Remarks
1	607163 Bolt-diff bearing cap	4	
2	RTC1139 Gasket	1	
3	RTC844 Cover	1	
4	607173 Bolt	10	
5	AAU2825 Lock washer	10	
6	608246 Filler/drain plug	2	
7	RTC845 Flitch	1	
8	NRC8024 Bracket-3 way	1	
9	NRC5346 Plate-brake pipe	1	
10	NRC9607 Bracket-ball joint	1	
11	AEU2508 Special bolt	4	
12	607181 Bearing pinion	1	
13	607182 Oil thrower	1	
14	607183 Gasket	1	
15	AEU2515 Oil seal	1	
16	607185 Flange	1	
17	607357 Washer	1	
18	90608545 Lock nut	1	



Model DEFENDER 110 1987 onwards  
 Page AFEXEE1A

REAR AXLE - DIFFERENTIAL



Ill. Part No.	Description	Qty	Remarks
1 AEU1489	Case differential	1	
2 607165	Bolt	8	
RTC4488	Kit gear differential	1	
3 607166	Differential gear	2	
4 607169	Washer thrust	2	
5 607167	Differential wheel	4	
6 607168	Washer thrust	4	
7 90607170	Cross shaft	1	
8 AEU1488	Crownwheel and pinion	1	
9 RTC773	Bolt	12	
10 607187	Bearing differential	2	
11 607188	Shim 0.003"	2	
607189	Shim 0.005"	2	
607190	Shim 0.010"	2	
607191	Shim 0.030"	2	
12 607180	Bearing pinion	1	
13 607177	Shim 0.003"	2	
607178	Shim 0.005"	2	
607179	Shim 0.010"	2	
14 607197	Spacer collapsible	1	

Model DEFENDER 110 1987 onwards

Page AFEXE11A

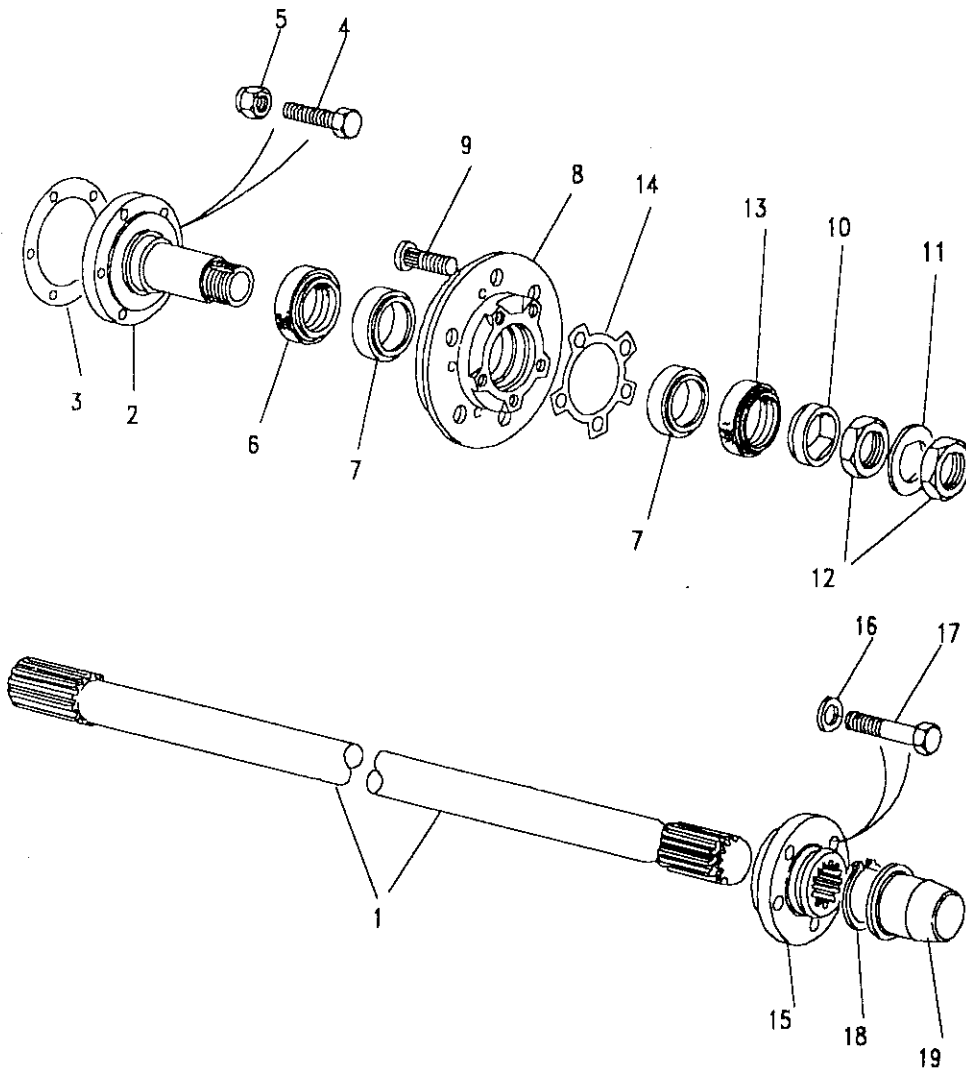
REAR AXLE - AXLE SHAFTS AND HUBS

III. Part No. Description Qty Remarks

Vehicles with front disc and rear drum brakes

Upto VIN 930434 - 110, 930545 - 130

Part No.	Description	Qty	Remarks
1	FRC2454 Shaft drive rear RH	1	
	FRC2455 Shaft drive rear LH	1	
2	FRC8540 Hub bearing sleeve	2	
3	FRC3136 Joint washer	2	NLA use FTC3649
	FTC3649 Joint washer	2	Asbestos free
4	FRC7257 Bolt	12	
5	NY110041L Nut nyloc	12	
6	FRC8221 Oil seal	2	
	FTC2783 Oil seal hub	2	From 21S10028C
	FTC2783 Oil seal hub	2	From 24S00522A
7	RTC3429 Bearing	4	
8	FRC8555 Hub assembly	2	
9	FRC6137 Stud	10	
10	FRC8227 Spacer	2	
11	FRC8700 Lock nut	4	
12	FRC8002 Locker	2	
13	FRC8222 Oil seal	2	
14	FRC3988 Joint washer	2	
15	FRC5806 Driving member	2	
16	WL110001L Washer spring	5	
17	FC110107L Bolt	10	
18	549473 Circlip	2	
19	FRC4377 Hub cap	2	





**Model** DEFENDER 110 1987 onwards  
**Page** AFEXEI2A

**REAR AXLE - AXLE SHAFTS AND HUBS**

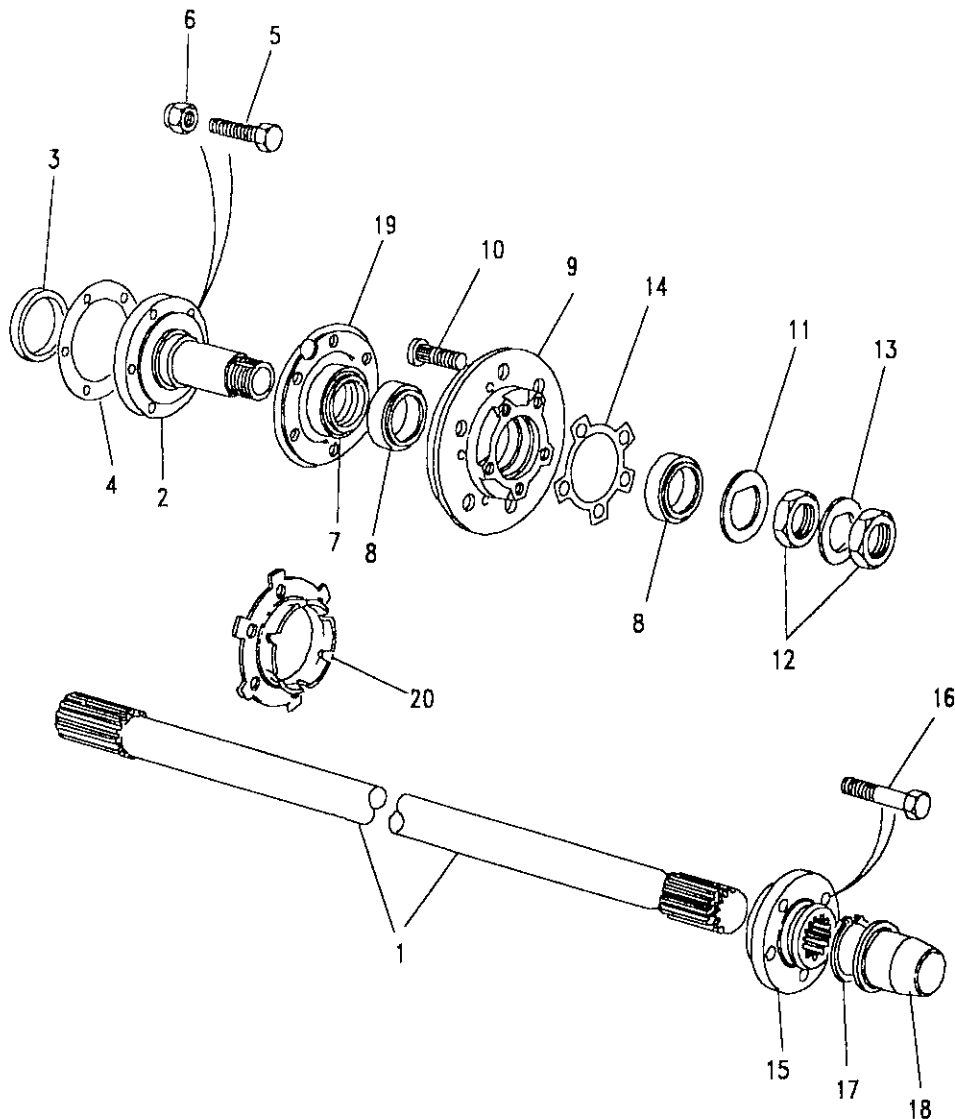
**III. Part No. Description Qty Remarks**

Vehicles with front and rear disc brakes

From VIN LA930435 - 110, LA930546 - 130

1	FTC1724	Shaft axle RH	1	
	FTC1725	Shaft axle LH	1	
2	FTC1740	Axle stub	2	
3	FTC3145	Oil seal	2	
4	FRC3136	Joint washer	2	NLA use FTC3649
	FTC3649	Joint washer	2	Asbestos free
5	BX110111L	Bolt fixing	8	
	SX110301	Screw	4	
	BX110071L	Bolt M10	4	Note(1)
6	NY110041L	Nut	12	
7	FTC2783	Oil seal hub	2	
8	RTC3429	Bearing	4	
9	FTC942	Hub assembly	2	
10	FRC5926	Stud	10	
11	FTC3185	Washer stub axle	2	
12	FRC8700	Nut stub axle	4	
13	FTC3179	Lockwasher	2	
14	571752	Joint washer	2	
15	FTC859	Hub driving member	2	
16	BX110095M	Bolt m/encapsulated	10	Note(2)
17	549473	Circlip	2	
18	FTC943	Cap hub	2	
19	FTC1378	Mudshield Stub Axle	2	
20	FRC2310	Plate locking	2	

Note(1) Alternative if SX110301 is too short.  
 Note(2) Pre-impregnated with adhesive.



**Model** DEFENDER 110 1987 onwards  
**Page** AFEXGA1A

**AXLES - REMOTE BREATHERS**

**III. Part No. Description Qty Remarks**

**Vehicles with front disc and rear drum brakes**

**Upto VIN 930434 - 110, 930545 - 130**

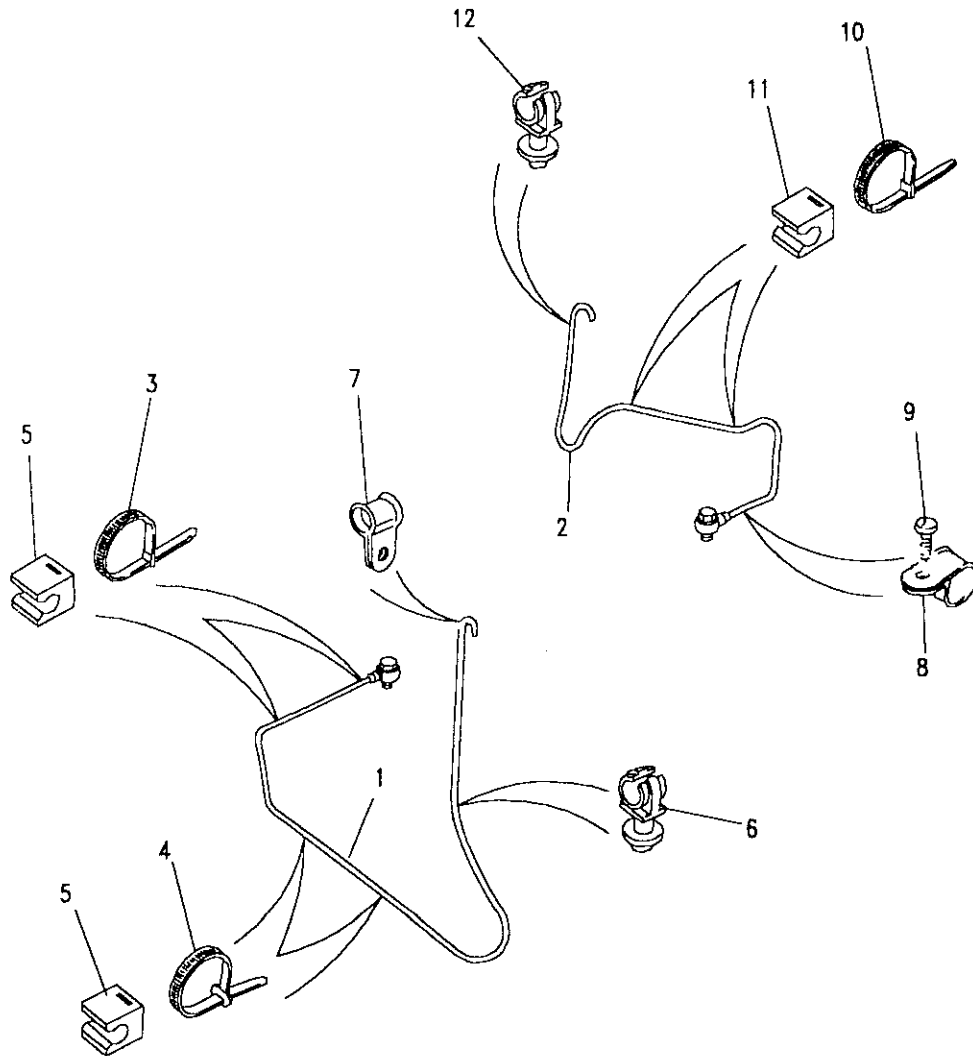
1	FTC2175	Breather remote front	1
	595478	Banjo bolt	1
	232039	Copper washer	2
2	FTC2176	Breather remote rear	1
	595478	Banjo bolt	1
	232039	Copper washer	2

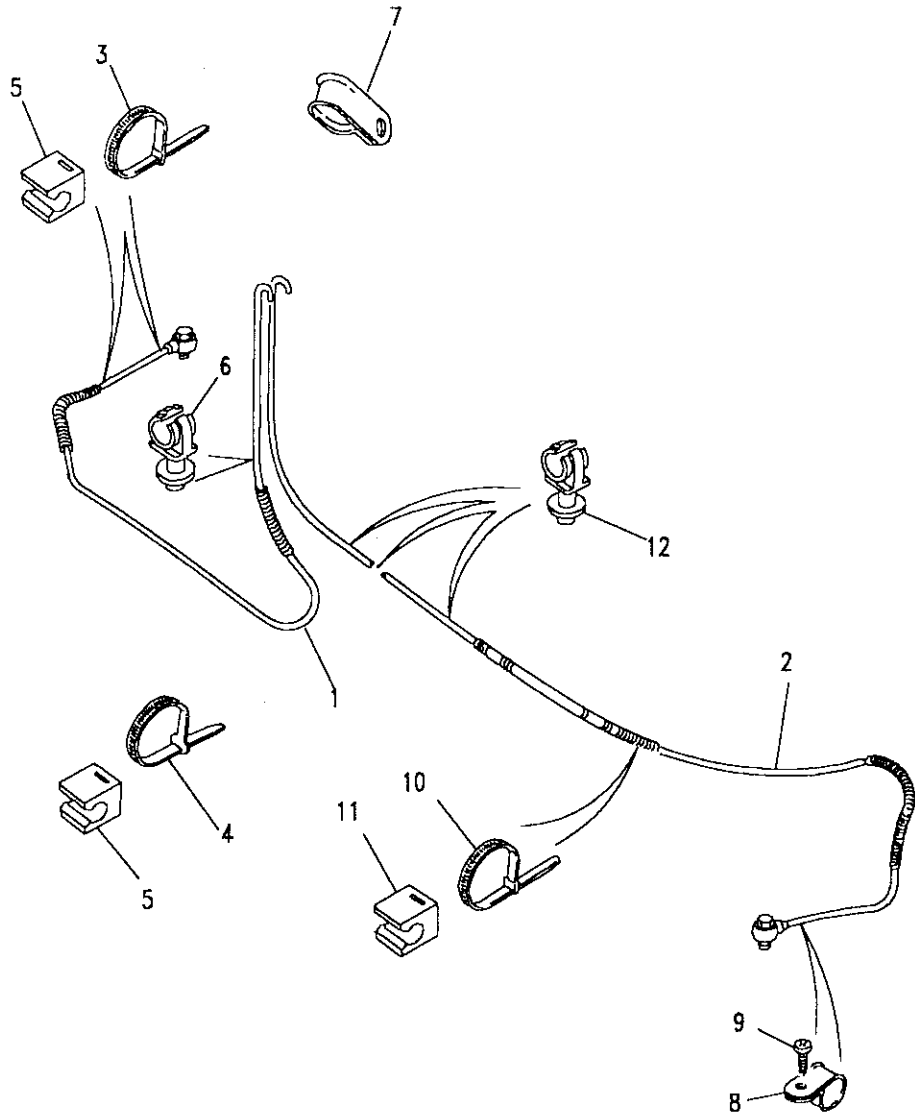
**Fixings for front breather**

3	594594	Tie	2
4	568680	Cleat	2
5	NRC9246	Clip	4
6	79123	Clip	1
7	BAU1689	Clip	1

**Fixings for rear breather**

8	ATU1017L	Clip	1
9	79004	Screw	1
10	568680	Cleat	2
11	NRC9246	Clip	2
12	79123	Clip	1





**Model** DEFENDER 110 1987 onwards  
**Page** AFEXGA2A

**AXLES - ALTERNATIVE REMOTE BREATHERS**

III. Part No.	Description	Qty	Remarks
---------------	-------------	-----	---------

Vehicles with front disc and rear drum brakes

Upto VIN 930434 - 110, 930545 - 130

1	FRC4718	Breather remote front	1	Upto HA473072
	FTC2177	Breather remote front	1	From HA473073
	595478	Banjo bolt	1	
	232039	Copper washer	2	
2	FRC4719	Breather remote rear	1	Upto HA473072
	FTC2178	Breather remote rear	1	From HA473073
	595478	Banjo bolt	1	
	232039	Copper washer	2	

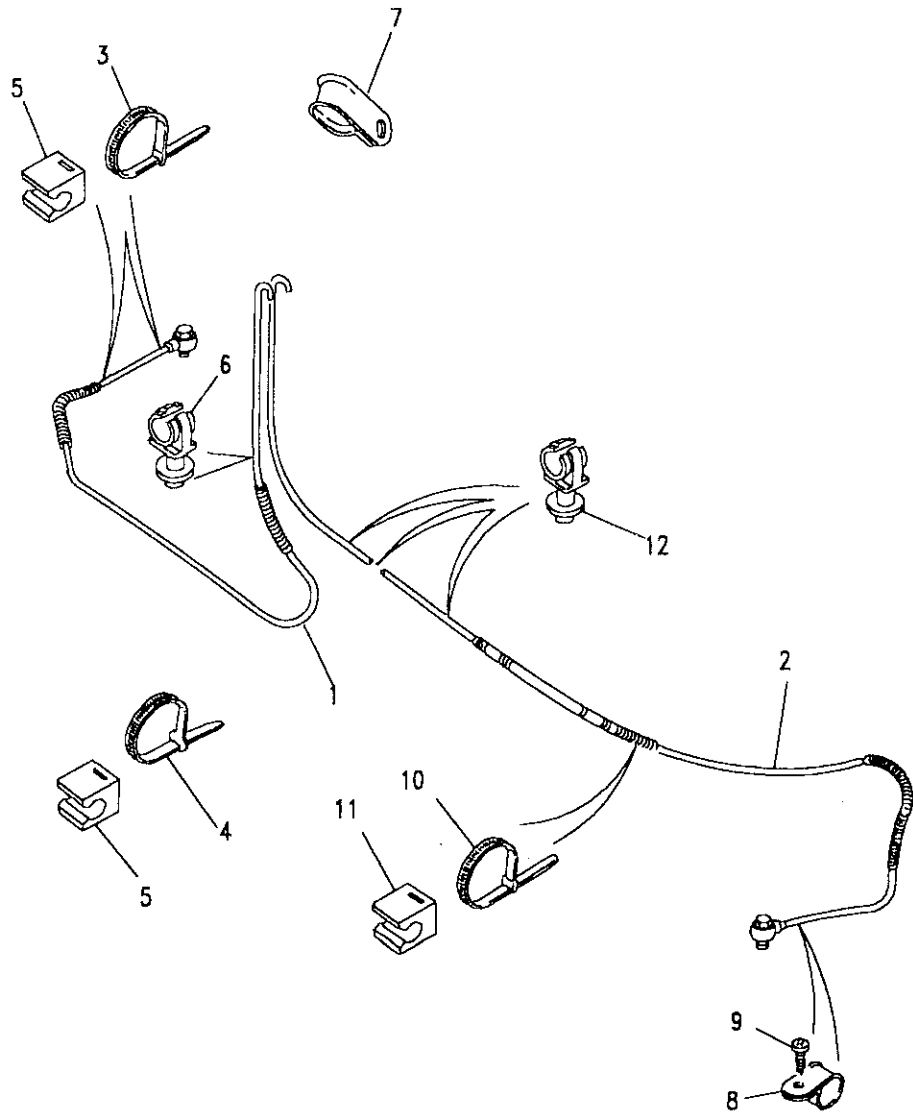
**Fixings for front breather**

3	594594	Tie	2	
4	568680	Cleat	2	
5	NRC9246	Clip	4	
6	79123	Clip	1	
7	622324	Clip	1	

**Fixings for rear breather**

8	ATU1017L	Clip	1	
9	79004	Screw	1	
10	568630	Cleat	2	
11	NRC9246	Clip	2	
12	79123	Clip	3	





**Model** DEFENDER 110 1987 onwards  
**Page** AFEXGA3A

**AXLES - REMOTE BREATHERS**

Ill. Part No.	Description	Qty	Remarks
---------------	-------------	-----	---------

**Vehicles with front and rear disc brakes**

**From VIN LA930435 - 110, LA930546 - 130**

1	FTC2177	Breather remote front	1	
	595478	Banjo bolt	1	
	FTC3904	Copper washer	2	
2	FTC2178	Breather remote rear	1	Up to LA937639
	FTC3904	Breather remote rear	1	From LA937640
	595478	Banjo bolt	1	
	FTC3904	Copper washer	2	

**Fixings for front breather**

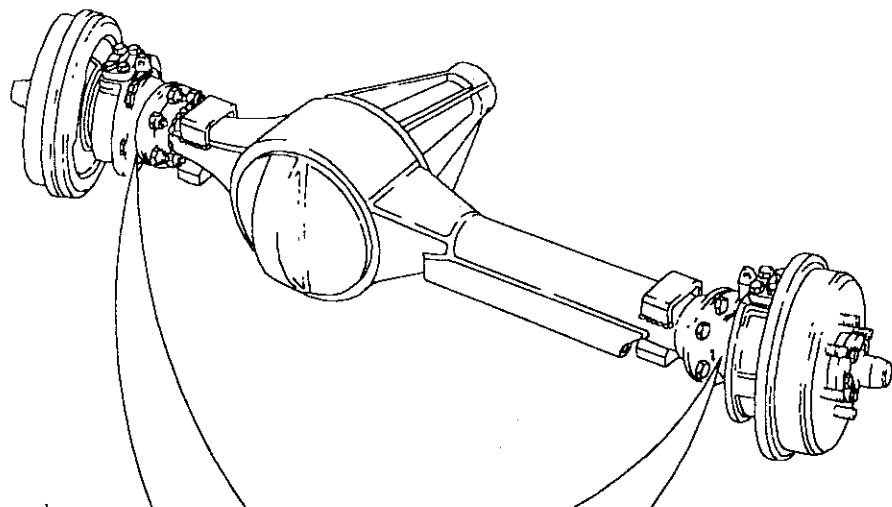
3	594594	Tie	2	
4	568680	Cleat	2	
5	NRC9246	Clip	4	
6	79123	Clip single	1	
7	622324	Clip	1	

**Fixings for rear breather**

8	ATU1017L	Clip	1	
9	79004	Screw	1	
10	568630	Cleat	2	
11	NRC9246	Clip	2	
12	79123	Clip	3	



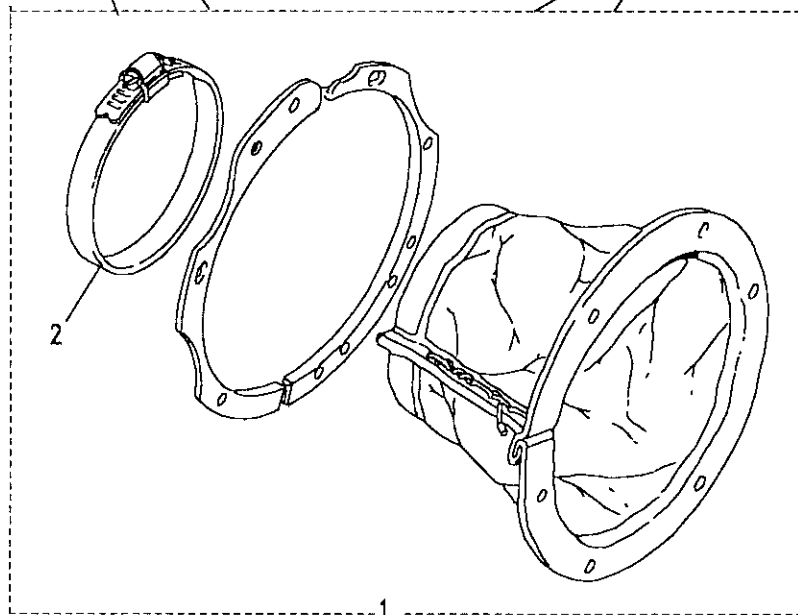




**Model** DEFENDER 110 1987 onwards  
**Page** AFEXGC1A

**FRONT AXLE - GAITER KIT**

III. Part No.	Description	Qty	Remarks
<b>Only used up to VIN LA930434</b>			
1 RTC3826	Kit gaiter	1	
2 RTC3519	Clip hose	2	

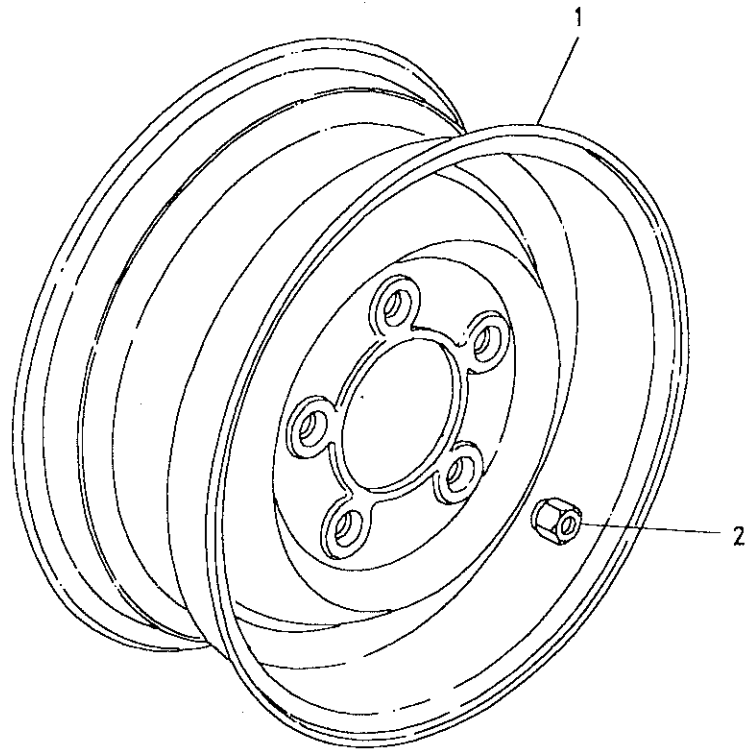




DEFENDER 110 1987 onwards

433

## AXLES AND SUSPENSION

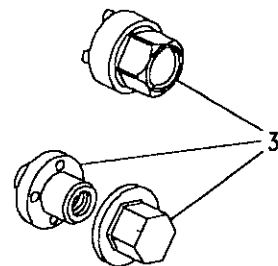


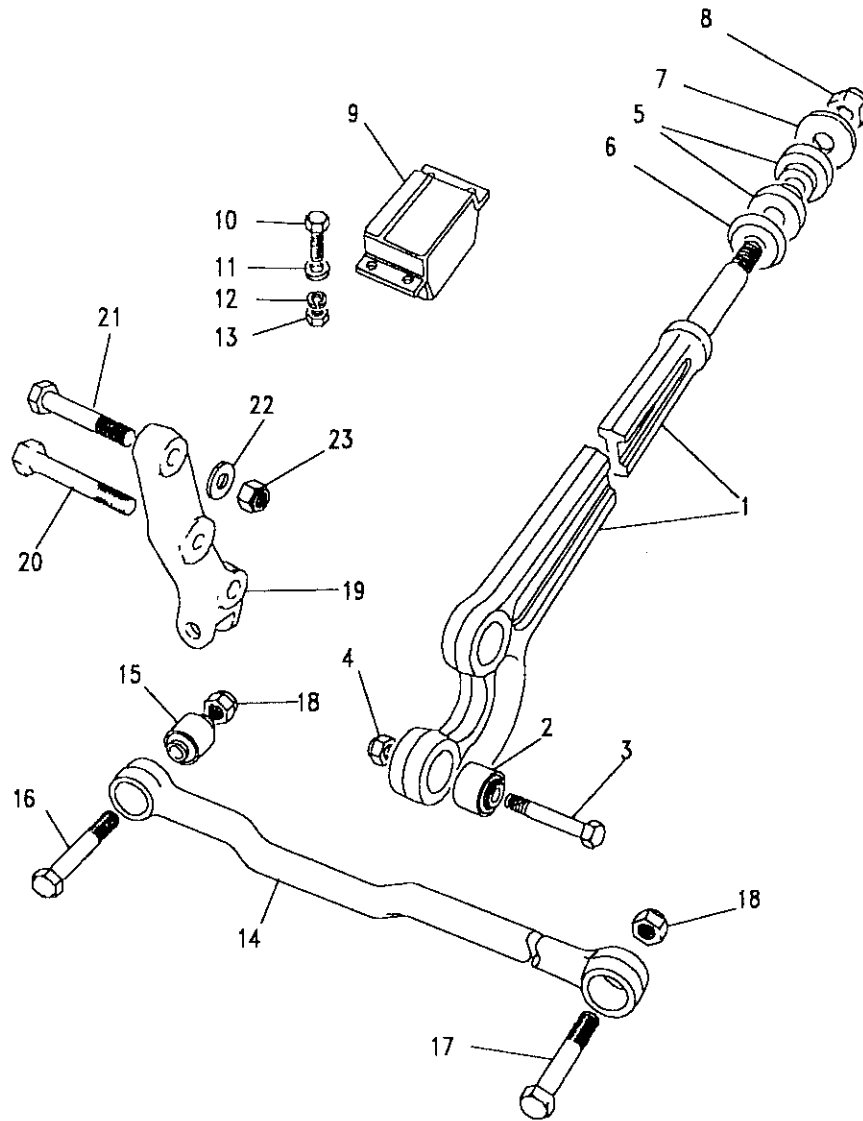
**Model** DEFENDER 110 1987 onwards  
**Page** AFEXGE1A

### AXLES - ROAD WHEEL

Ill. Part No.	Description	Qty	Remarks
<b>Defender 110</b> 1 NRC7578PM	Wheel road	5	Note(1)
<b>Defender 130</b> 1 ANR1534PM	Wheel road	5	Note(2)
<b>Defender 110 and 130</b> 2 90577473	Wheel nut 16mm	20	
3 RTC9535	Wheel nut locking	1	Set of 5

Note(1) 5.5F x 16 x 33mm inset  
Note(2) 6.5L x 16 x 20.6mm inset





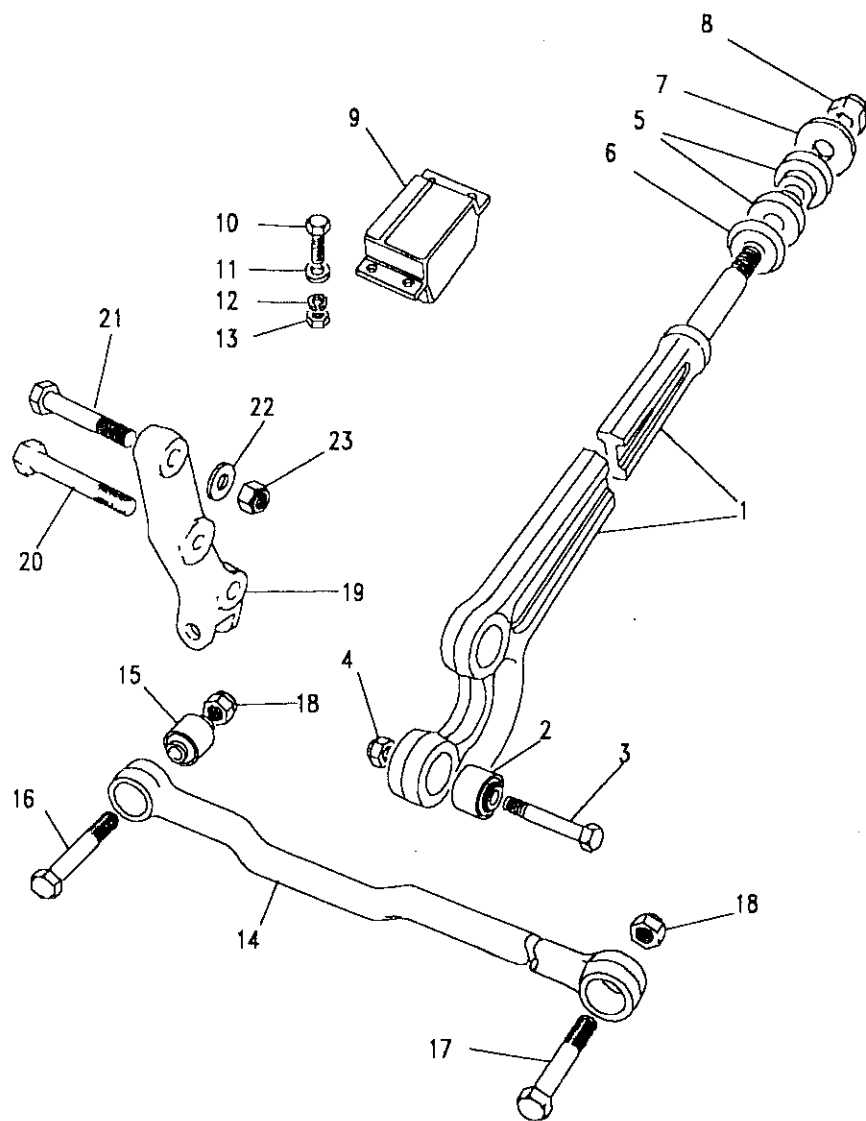
**Model** DEFENDER 110 1987 onwards  
**Page** AFEXIA1A

**FRONT SUSPENSION - RADIUS ARM & LINKS**

III. Part No.	Description	Qty	Remarks
<b>Defender 110</b>			
1	NTC2705	2	Note(1)
	NTC7331	2	Note(2)
2	NTC7307	4	Note(1)
	NTC6781	4	Note(2)
3	BH610281L	4	Note(1)
	BX116201L	4	Note(2)(3)
	BH116207	4	Note(4)
4	NY610041	4	Note(1)
	NY116051L	4	Note(2)(3)
	NV116047	4	Note(4)
<b>Defender 130</b>			
1	NTC2705	2	Note(1)
	NTC7331	2	Note(2)
2	NTC7307	4	Note(1)
	NTC6781	4	Note(2)
3	BH610281L	4	Note(1)
	BX116201L	4	Note(2)(3)
	BH116207	4	Note(4)
4	NY610041	4	Note(1)
	NY116051L	4	Note(2)(3)
	NV116047	4	Note(4)
5	NRC4514	4	
6	NRC4515	2	

Note(1) Up to LA930434  
 Note(2) From LA930435  
 Note(3) Up to LA944441  
 Note(4) From LA944442



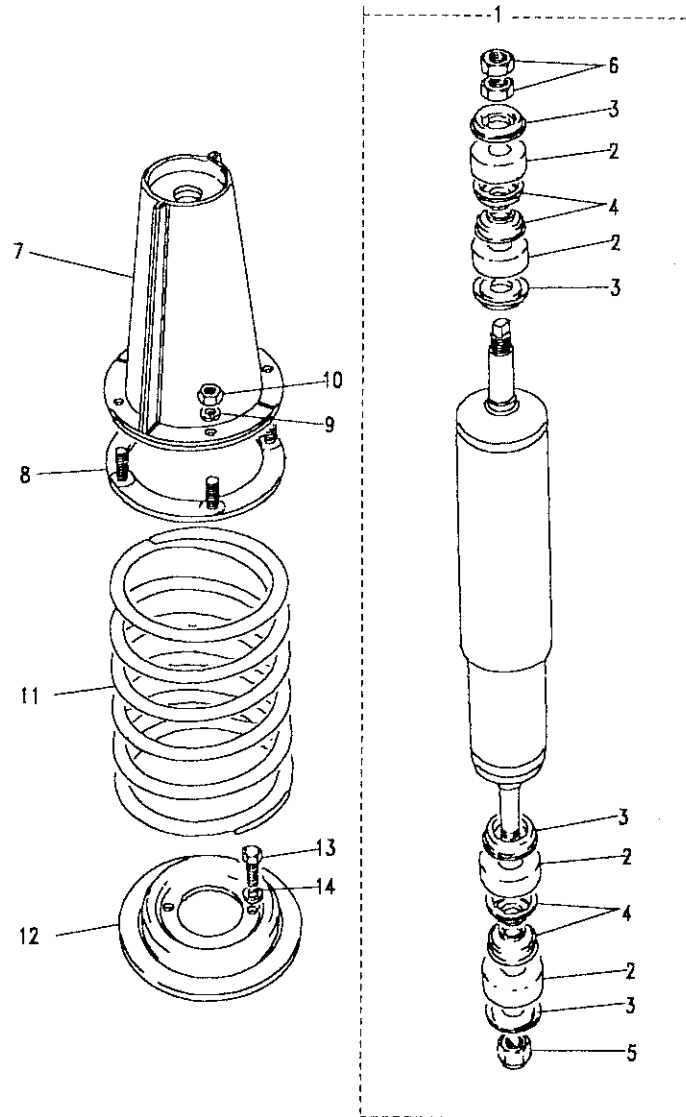


**Model** DEFENDER 110 1987 onwards  
**Page** AFEXIA1A

**FRONT SUSPENSION - RADIUS ARM & LINKS**

Ill. Part No.	Description	Qty	Remarks
7	NRC4516	2	Washer plain
8	NY120041L	2	Nut nyloc
9	575707	2	Bump stop
10	FS108201	4	Screw
11	WA108051L	4	Washer plain
12	WL108001L	4	Washer spring
13	NY108041L	4	Nut
14	NRC9729	1	Rod panhard
15	NRC9728	2	Bush rubber
	ANR3410	2	Bush rubber
16	BH114161	1	Bolt
	BH114167	1	Bolt
17	BH114161	1	Bolt
	BH114167	1	Bolt
18	NY114041	2	Nut nyloc
	NV114047	2	Nut nyloc
19	NTC9462	1	Arm mounting RH RHD
	NTC9461	1	Arm mounting LH LHD
20	253952	1	Bolt
21	BH608461	1	Bolt
22	WC112081L	2	Washer plain
23	NY608041L	2	Nut
<b>Defender 130 3500Kg</b>			
	RRC2281	1	Spacer bump stop front LH
	FB108101	2	Bolt
	WA108051L	2	Washer plain
	WL108001L	2	Washer spring
	FN108041L	2	Nut

Note(1) Upto LA944441  
 Note(2) From LA944442



Model DEFENDER 110 1987 onwards

Page AFEXIC1A

FRONT SUSPENSION - SHOCK ABSORBERS & ROAD SPRING

III. Part No.	Description	Qty	Remarks
1	RTC4637 STC290	2	Upto VIN HA475249 From VIN HA475250
2	552818	8	Cushion rubber
3	500746	8	Washer retaining
4	NRC4365	8	Washer guide
5	NY608041L	2	Upto VIN HA475249 Alternative
6	NV608041L	2	Upto VIN HA475249 From VIN HA475250
	NT608041L	4	Lock nut
	NTC4571	4	Nut
7	NRC6372	2	Bracket-shock absorber
8	572087	2	Ring securing
9	WM600051L	8	Washer spring
10	NH605041L	8	Nut
<b>Defender 110</b>			
11	NRC8044	1	Standard
	NRC8045	1	Standard
	NRC9448	1	Heavy Duty
	NRC9449	1	Heavy Duty
<b>Defender 130</b>			
11	NRC9448	1	Spring front driver
	NRC9449	1	Spring front passenger
12	NRC9700	2	Seat spring
13	SH110251L	4	Screw
14	WM110001L	4	Washer spring





DEFENDER 110 1987 onwards

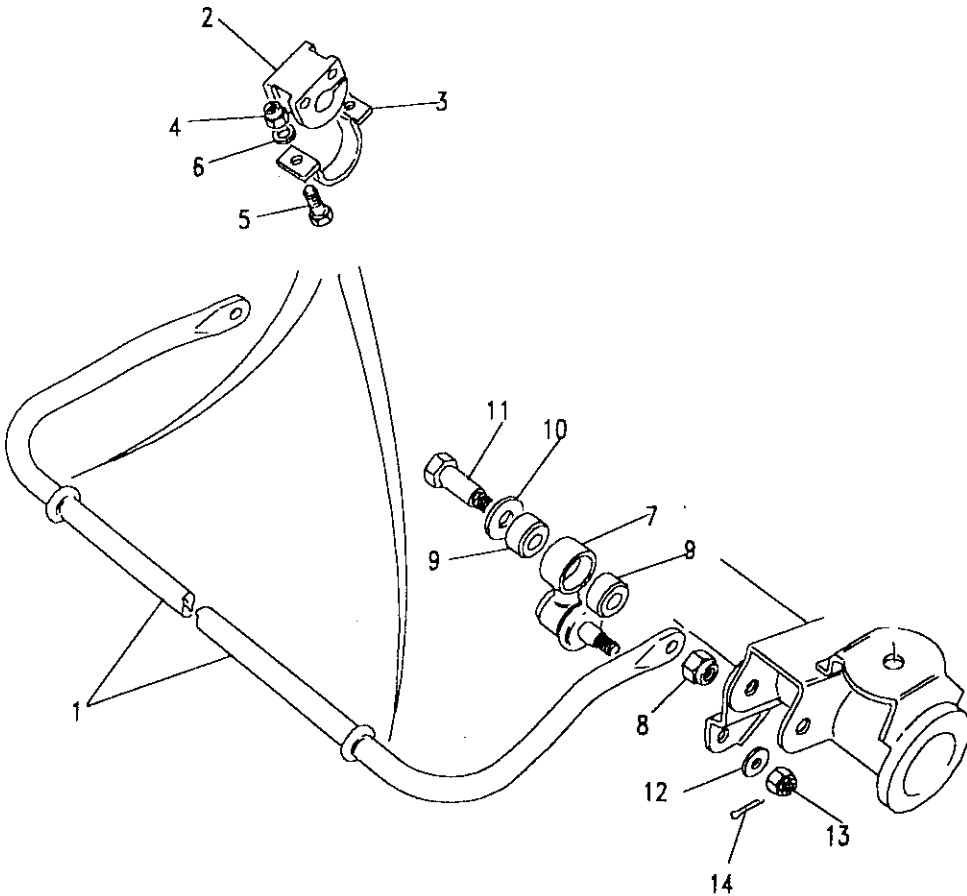
437

AXLES AND SUSPENSION

**Model** DEFENDER 110 1987 onwards  
**Page** AFEXIE1A

**FRONT SUSPENSION - ANTI-ROLL BAR**

III. Part No.	Description	Qty	Remarks
<b>Defender 130 3500Kg</b>			
1	NTC6837	1	Anti-roll bar front
2	NTC6828	2	Bush
3	NTC6776	2	Strap
4	NY110041L	4	Nut
5	SH110351L	4	Screw
6	WA110061L	4	Washer
7	NTC1888	2	Ball joint assembly
8	NV116041	2	Nut
9	552819	4	Bush
10	264024	2	Washer plain
11	NTC8202	2	Pin
12	WC112081L	2	Washer plain
13	NC112041	2	Nut
14	PS105251	2	Pin split



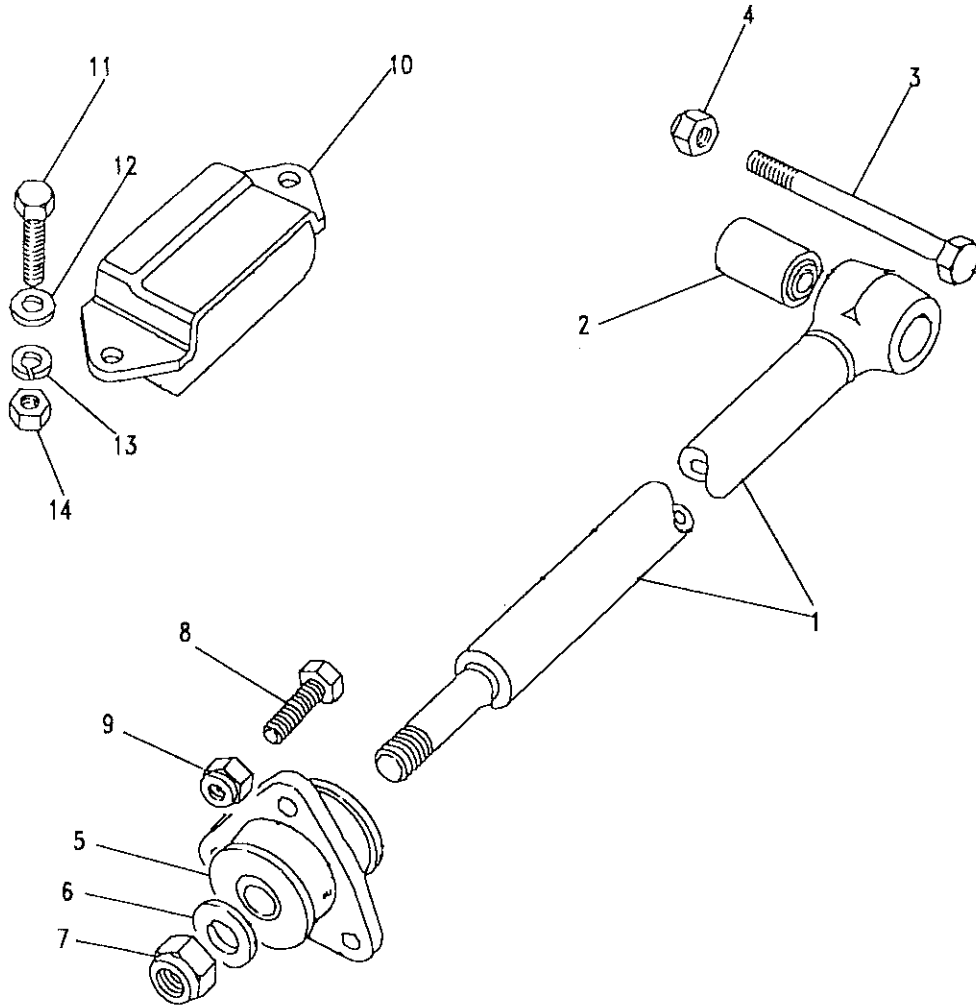
Model DEFENDER 110 1987 onwards

Page AFEXKA1A

REAR SUSPENSION - BOTTOM LINK

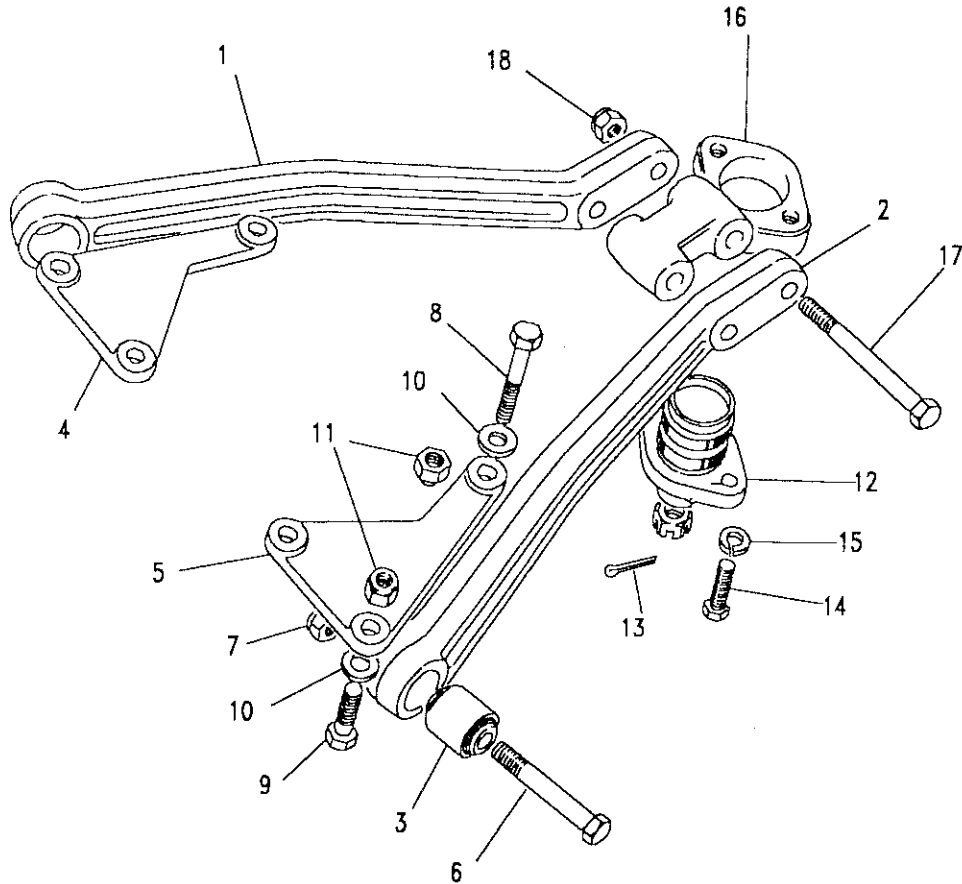
Ill. Part No.	Description	Qty	Remarks
1	NTC4720	2	Note (1)
	NTC8328	2	From VIN HA470437
2	NTC1772	2	Bush
3	BH610321L	2	Bolt
4	NY610041L	2	Nut
5	STC618	1	Kit mounting rubber
	NTC9027	2	Mounting rubber
6	WA120001	2	Washer plain
7	NY120041L	2	Nut nyloc
8	SH110301	6	Bolt
9	NY110041	6	Nut nyloc
10	90575789	2	Bump stop
11	FS108201	4	Screw
12	WA108051L	4	Washer plain
13	WL108001L	4	Washer spring
14	NY108041L	4	Nut

Note(1) Upto VIN HA470436 - No longer available - use NTC8328 which must be fitted in pairs



Model DEFENDER 110 1987 onwards  
 Page AFEXKA2A

REAR SUSPENSION - TOP LINK, FULCRUM, BALL JOINT



III. Part No.	Description	Qty	Remarks
1	NTC2706	1	Link top RH
2	NTC2707	1	Link top LH
3	NTC1773	2	Bush
4	575615	1	Bracket RH
5	575616	1	Bracket LH
6	BH612321	2	Bolt
7	NY612041	2	Nut nyloc
8	BX110111L	2	Bolt
9	BX110091L	4	Bolt
10	WC110061L	6	Washer plain
11	NY110051L	6	Nut nyloc
12	NRC7661	1	Ball joint
			Upto VIN 329694
			No longer available
			Use NTC4260
	NTC1154	1	Cable tie
	NRC9787	1	Cover dust
	592445	1	Ring spring
12	NTC4260	1	Ball joint
			Upto VIN 329694
12	NTC9932	1	Ball joint
			From VIN 329695
			Upto VIN JA914425
12	ANR1799	1	Ball joint
	WB120001	1	Washer special
	NTC4618	1	Nut 20mm
13	PS608101L	1	Pin split
	PS106321L	1	Pin split
14	SH605081L	2	Screw
	FS108201	2	Screw
15	WM600051L	2	Washer spring
			Upto VIN JA914426
			From VIN KA930263
			Upto VIN KA930264
			From VIN KA930263
			Upto VIN KA930264
			From VIN KA930263
			Upto VIN KA930263





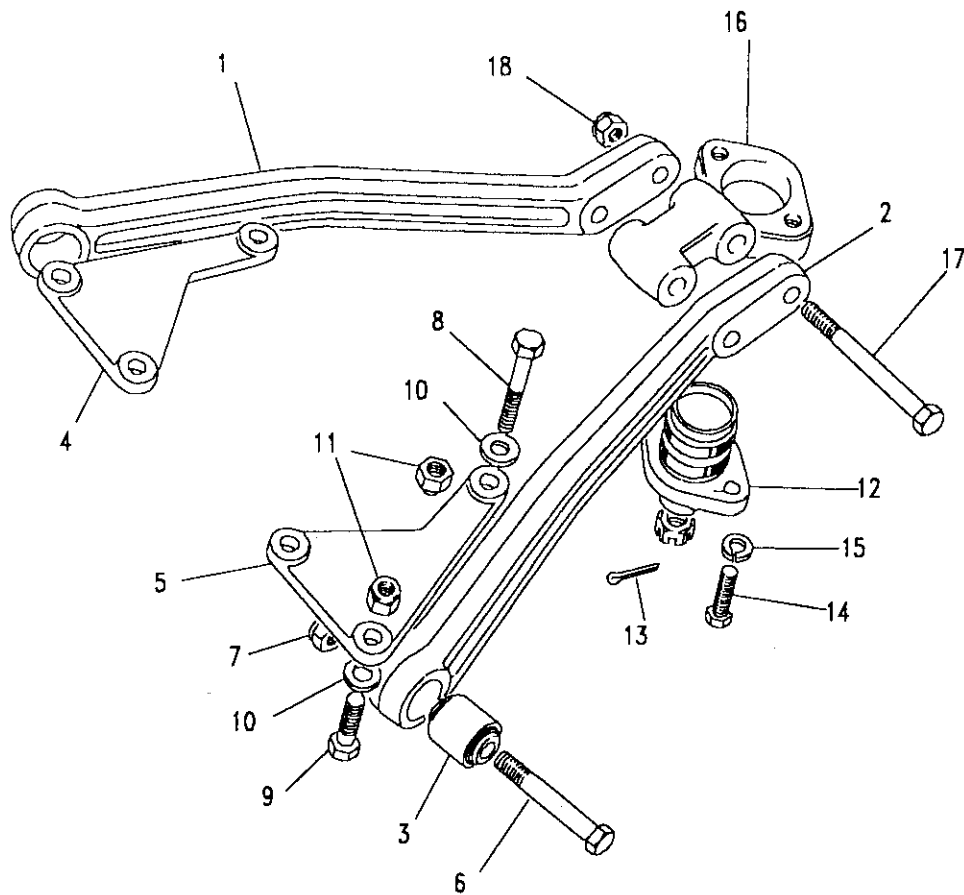
Model DEFENDER 110 1987 onwards

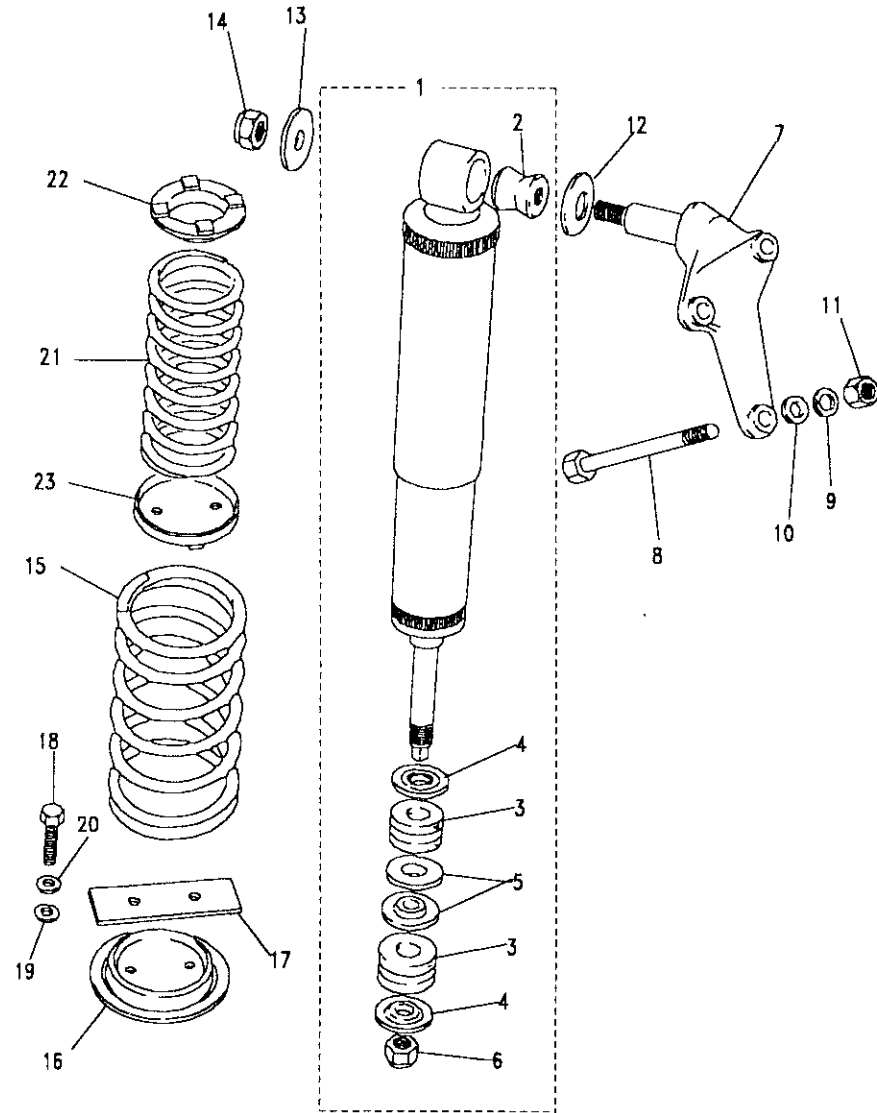
Page AFEXKA2A

REAR SUSPENSION - TOP LINK, FULCRUM, BALL JOINT

Ill. Part No.	Description	Qty	Remarks
16 NRC3923	Bracket fulcrum	1	Note(1)(Imperial)
ANR3037	Bracket fulcrum	1	Upto VIN KA930263
17 253952	Bolt	2	Note(1)(Metric)
18 NY608041L	Nut nyloc	2	From VIN KA930264

Note(1) Not fitted with self levelling unit.



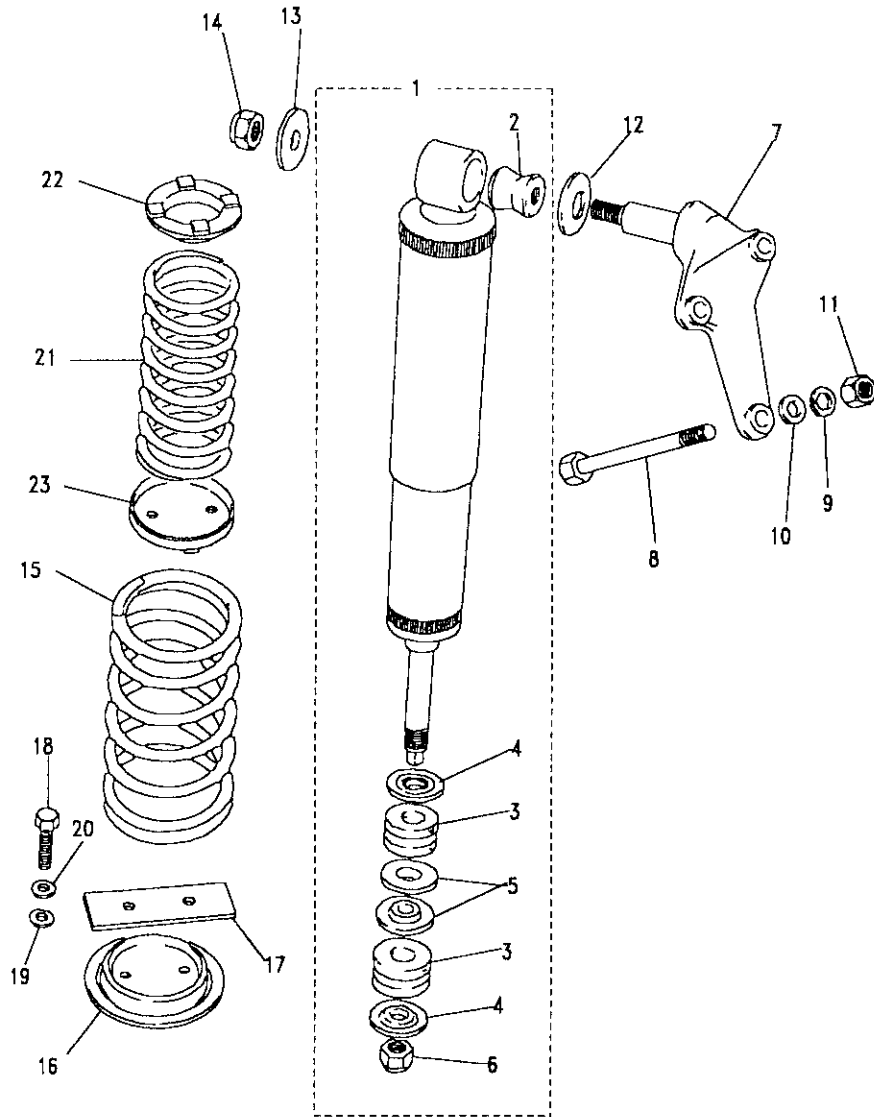


Model DEFENDER 110 1987 onwards

Page AFEXKC1A

**REAR SUSPENSION - SHOCK ABSORBER & ROAD SPRING**

III. Part No.	Description	Qty	Remarks
<b>Levelled suspension</b>			
1	RTC4638	2	Upto VIN HA473822
	STC291	2	From VIN HA473823
<b>Non levelled suspension</b>			
1	RTC4639	2	Upto VIN HA478284
	STC292	2	From VIN HA478285
<b>Defender 130 3500Kg</b>			
1	STC293	2	Heavy Duty
2	NRC5593	2	Bush rubber
3	552818	4	Cushion rubber
4	500746	4	Washer retaining
5	NRC6235	4	Washer guide
6	NY608041L	2	Nut
	NV608041L	2	Alternative
	NTC4571	2	Use on RTC4638/39
			Use on STC291
			STC292 and STC293
7	NRC7981	2	Bracket shock absorber
8	BH110221L	6	Bolt
9	WM110001L	6	Washer spring
10	WC110061L	6	Washer plain
11	NH110041L	6	Nut
12	NRC5602	2	Retainer inner
13	NRC5603	2	Retainer outer
14	NY112041L	2	Nut



**Model** DEFENDER 110 1987 onwards  
**Page** AFEXKC1A

**REAR SUSPENSION - SHOCK ABSORBER & ROAD SPRING**

**Ill. Part No. Description Qty Remarks**

**Defender 110 - Levelled Suspension**

15 NRC6388 Spring rear driver 1 Standard  
 NRC7000 Spring rear passenger 1 Standard

**Defender 110 - Non Levelled Suspension**

15 NRC6389 Spring rear driver 1 Heavy duty  
 NRC6904 Spring rear passenger 1 Heavy duty

**Defender 130**

15 NRC6389 Spring rear driver 1  
 NRC6904 Spring rear passenger 1

16 NRC4317 Seat 2  
 17 NRC4318 Retainer 2  
 18 SH110251L Screw 4  
 19 WA110061L Washer plain 8  
 20 WM110001L Washer spring 4

**Defender 130 - 3500kg**

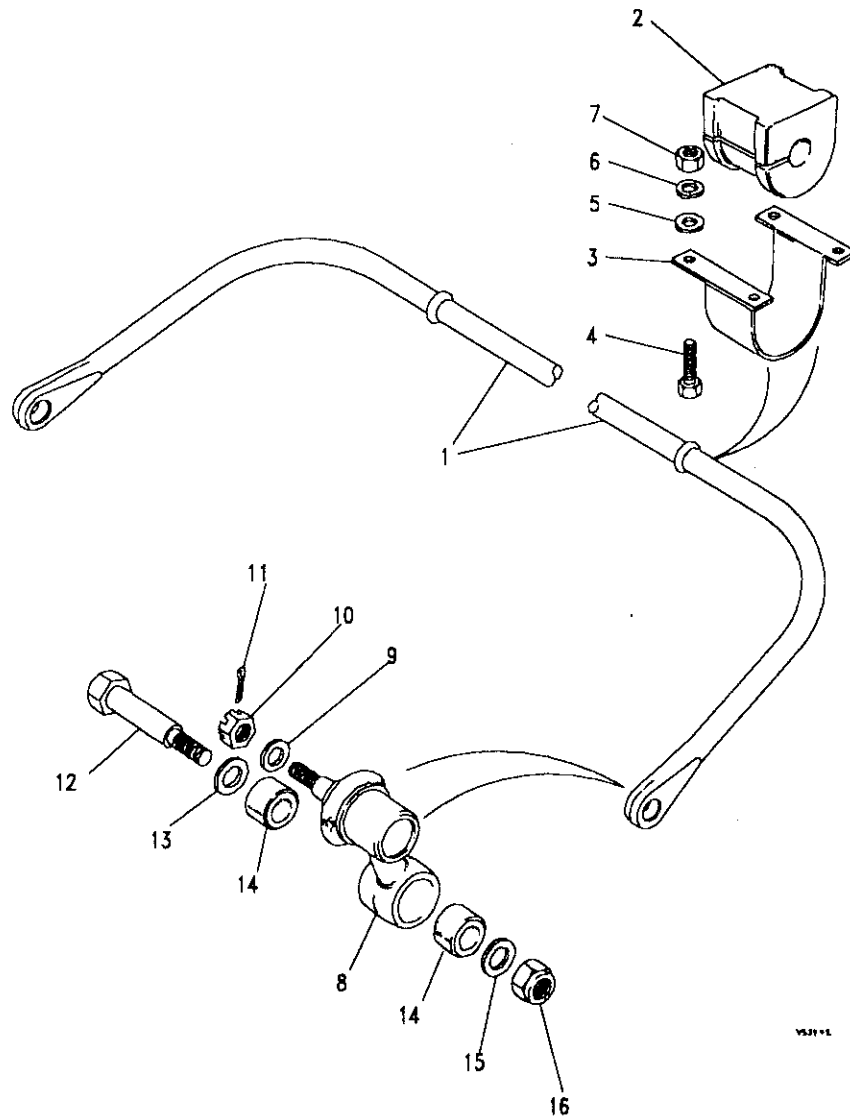
21 RRC3266 Helper spring 2  
 22 RRC3352 Retainer upper 2  
 23 RRC3355 Retainer lower 2  
 18 FS110301L Screw 4  
 19 WA110001L Washer plain 4



**Model** DEFENDER 110 1987 onwards  
**Page** AFEXKE1A

**REAR SUSPENSION - ANTI ROLL BAR**

III. Part No.	Description	Qty	Remarks
1	NRC6221	1	Anti roll bar
2	NRC5674	2	Bush
3	592773	2	Strap
4	FS108251L	8	Screw
5	WA108051L	8	Washer plain
6	WL108001L	8	Washer spring
7	NY108041L	8	Nut
8	NTC1888	2	Ball joint and link assy
9	WC112081	2	Washer
10	NC112041	2	Nut
11	PS105251	2	Pin split
12	NRC6658	2	Pin-anti roll bar
13	264024	2	Washer
14	552819	2	Bush
15	WC116101	2	Washer plain
16	NY116041L	2	Nut



Model DEFENDER 110 1987 onwards  
 Page AFEXKG1A

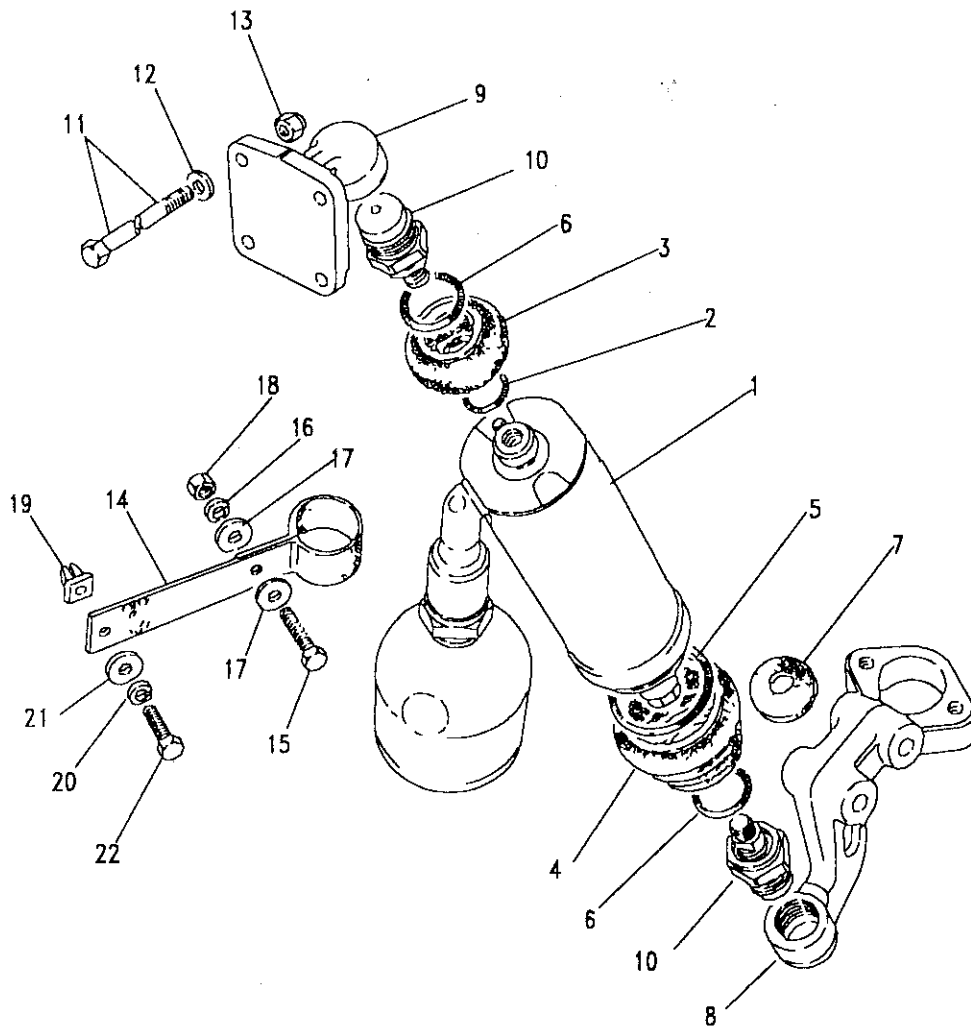
REAR SUSPENSION - LEVELLING UNIT - OPTIONAL

III. Part No.

Description

Qty Remarks

1	NRC7050	Levelling unit	1	
2	NRC7066	Ring spring	1	
3	NRC5707	Gaiter-upper	1	
4	NRC6561	Gaiter-lower	1	
5	577703	Ring spring-large	1	
6	90577704	Ring spring-small	1	
7	NRC8007	Dirt seal	1	
8	90575878	Fulcrum bracket imperial	1	Upto VIN KA930263
	ANR3036	Fulcrum bracket metric	1	From VIN KA930264
9	NRC8375	Housing	1	
10	575882	Ball joint	2	
11	BH110351	Bolt	4	
12	NRC5758	Washer	4	
13	NY110041L	Nut nyloc	4	
14	NRC6320	Strap	1	
	NRC8518	Strap-additional	1	
15	SH106301	Screw	1	
16	WL106001L	Washer spring	1	
17	2215L	Washer plain	1	
18	NH106041L	Nut	1	
19	NN106011	Nutsert	1	
20	WL106001L	Washer spring	1	
21	2215L	Washer plain	1	
22	FS106201L	Flange screw	1	

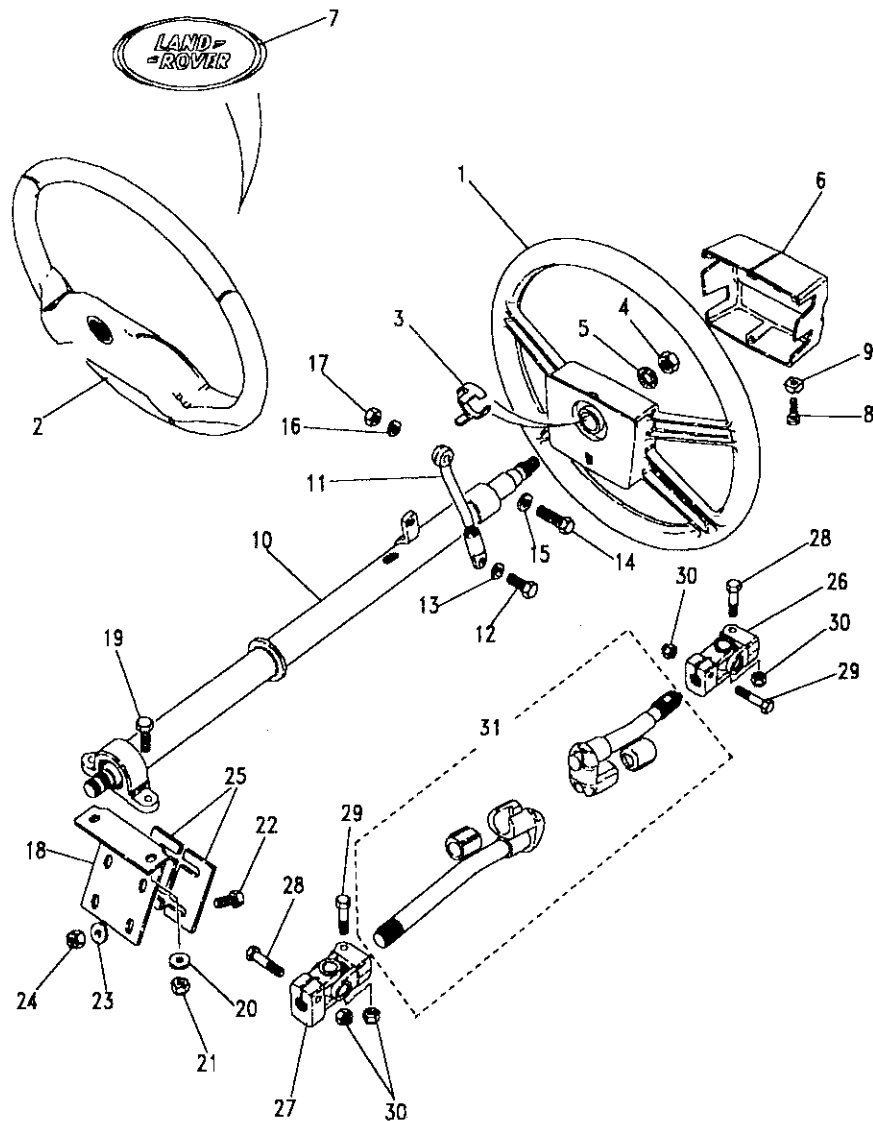




## MASTER INDEX

	PAGES	GROUP F	
INTRODUCTION PAGES	1 - 7		
ALPHABETICAL INDEX	8 - 16		STEERING
ENGINE	17 - 66		
ENGINE	67 - 119		
ENGINE	120 - 166		
ENGINE	167 - 209		
ENGINE	210 - 245		
ENGINE	246 - 299		
GEARBOX	300 - 326		
GEARBOX	327 - 344		
GEARBOX	345 - 359		
TRANSFER BOX	360 - 378		
TRANSFER BOX	379 - 397		
AXLES AND SUSPENSION	398 - 444		
STEERING	445 - 471		
VEHICLE AND ENGINE CONTROLS	472 - 486		
BRAKES	487 - 517		
FUEL SYSTEM AND AIR CLEANER	518 - 579		
EXHAUST SYSTEM	580 - 593		
COOLING/HEATING	594 - 637		
COOLING/HEATING	638 - 641		
COOLING/HEATING	642 - 649		
COOLING/HEATING	650 - 655		
COOLING/HEATING	656 - 666		
BODY ELECTRICAL	667 - 740		
BODY AND CHASSIS	741 - 909		
INTERIOR TRIM	910 - 955		
SEATS	956 - 1036		
STOWAGE	1037 - 1046		
ACCESSORIES - PAINTS	1047 - 1074		
NUMERICAL INDEX	1076 - 1151		
		STEERING	
		STEERING WHEEL AND COLUMN	446 - 448
		STEERING COLUMN SHROUD	449
		COLUMN TOP SUPPORT	450
		MANUAL STEERING BOX - GEMMER	451 - 453
		MANUAL STEERING BOX - ADWEST	454
		POWER STEERING BOX - GEMMER	455 - 456
		POWER STEERING BOX - ADWEST	457 - 461
		STEERING TRACK RODS	462 - 463
		POWER STEERING RESERVOIR	464
		POWER STEERING PIPES - UPTO VIN JA918809	465 - 469
		POWER STEERING PIPES - FROM VIN JA918810	470 - 471





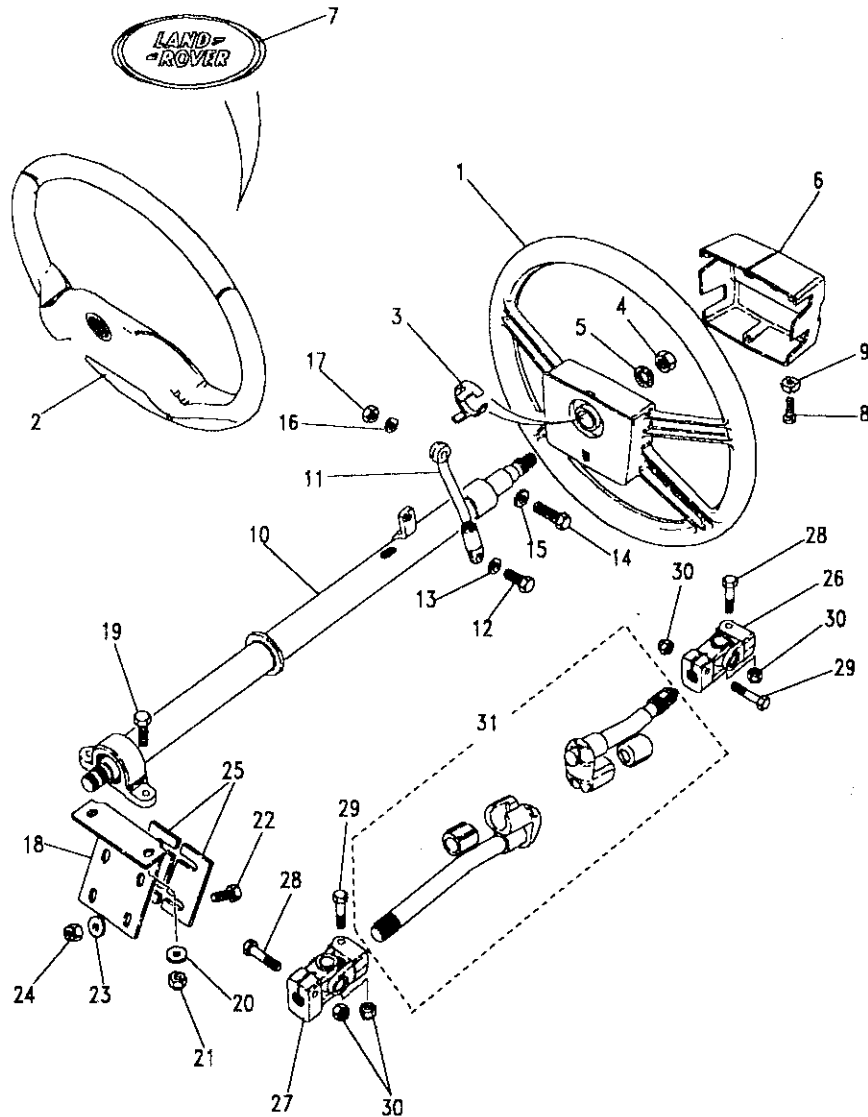
Model DEFENDER 110 1987 onwards

Page AFFXAA1A

**STEERING - STEERING WHEEL AND COLUMN**

III. Part No.	Description	Qty	Remarks
<b>Defender 110</b>			
1 NRC5281	Wheel steering	1	Upto VIN HA906578
1 NTC4844	Wheel steering	1	Note(1) Upto VIN HA906578
2 NTC8847	Wheel steering	1	Note(2)
ANR3231	Wheel steering	1	Note(3)
<b>Defender 130</b>			
1 NRC5281	Wheel steering	1	Upto VIN HA906988
1 NTC4844	Wheel steering	1	Note(1) Upto VIN HA906988
2 NTC8847	Wheel steering	1	Note(2)
ANR3231	Wheel steering	1	Note(3)
<b>Defender 110 and 130</b>			
3 NRC7636	Ring striker	1	
4 CRC2015	Nut	1	
5 WE600081	Washer shakeproof	1	
<b>Defender 110</b>			
6 NRC6747	Moulding	1	Upto VIN HA906578
6 NTC7731	Moulding	1	Note(1) Upto VIN HA906578
7 NTC8848	Cap centre	1	From VIN JA906579

Note(1) Option -County Station Wagon - Leather trimmed  
 Note(2) From JA906580, up to LA936926  
 Note(3) From LA936927



Model DEFENDER 110 1987 onwards

Page AFFXAA1A

STEERING - STEERING WHEEL AND COLUMN

Ill. Part No.	Description	Qty	Remarks
<b>Defender 130</b>			
6 NRC6747	Moulding	1	Upto VIN HA906988
6 NTC7731	Moulding	1	Note(1) Upto VIN HA906988
7 NTC8848	Cap centre	1	From VIN JA906989
8 SE106121L	Screw	1	Upto VIN HA906988
9 NK106081	Nut grip	1	Upto VIN HA906988
<b>Defender 110</b>			
10 NRC7635	Column steering	1	Note(2) Upto VIN HA906578
10 NTC9068	Column steering	1	Note(2) From VIN JA906579
<b>Defender 130</b>			
10 NRC7635	Column steering	1	Note(2) Upto VIN HA906988
10 NTC9068	Column steering	1	Note(2) From VIN JA906989

Note(1) Option -County Station Wagon - Leather trimmed  
 Note(2) Steering column lock - see page 711 - 712

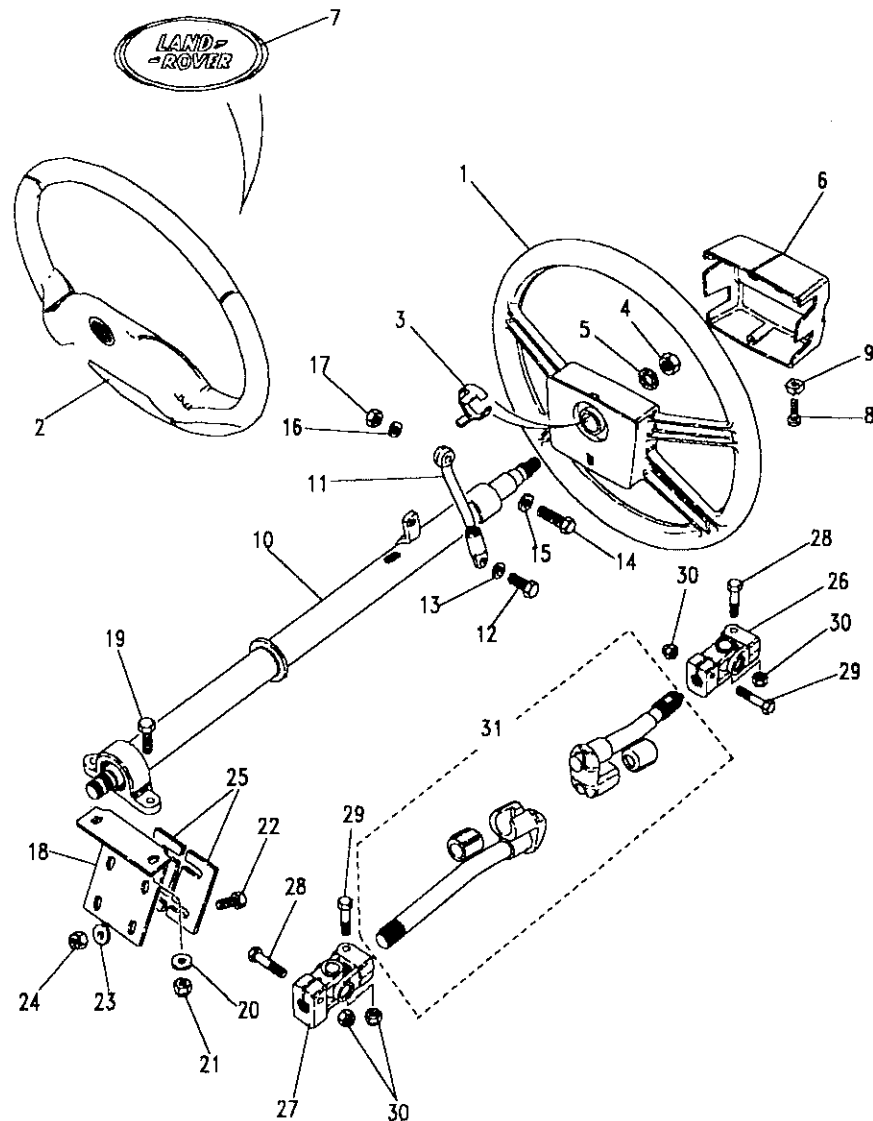






Model DEFENDER 110 1987 onwards  
 Page AFFXAA1A

STEERING - STEERING WHEEL AND COLUMN



III. Part No.	Description	Qty	Remarks
<b>Defender 110 and 130</b>			
11	NRC9711	1	Tie rod
12	SH110161L	1	Screw
13	WL110001L	1	Washer spring
14	SH110301L	1	Screw
15	WA110061L	1	Washer plain
16	WL110001L	1	Washer spring
17	NH110041L	1	Nut
18	NRC7127	1	Support
19	FB108251	2	Bolt
20	WC108051L	2	Washer plain
21	NY108041L	2	Nut nyloc
22	FB108251	4	Bolt
23	WC108051L	4	Washer plain
24	NY108041L	4	Nut nyloc
25	569522	4	Packing piece
26	NRC7387	1	Universal joint
27	NRC7704	1	Universal joint
28	BH108091L	2	Bolt
29	BH108091L	2	Bolt
30	NY108041L	4	Nut nyloc
31	RTC4738	1	Shaft steering





DEFENDER 110 1987 onwards

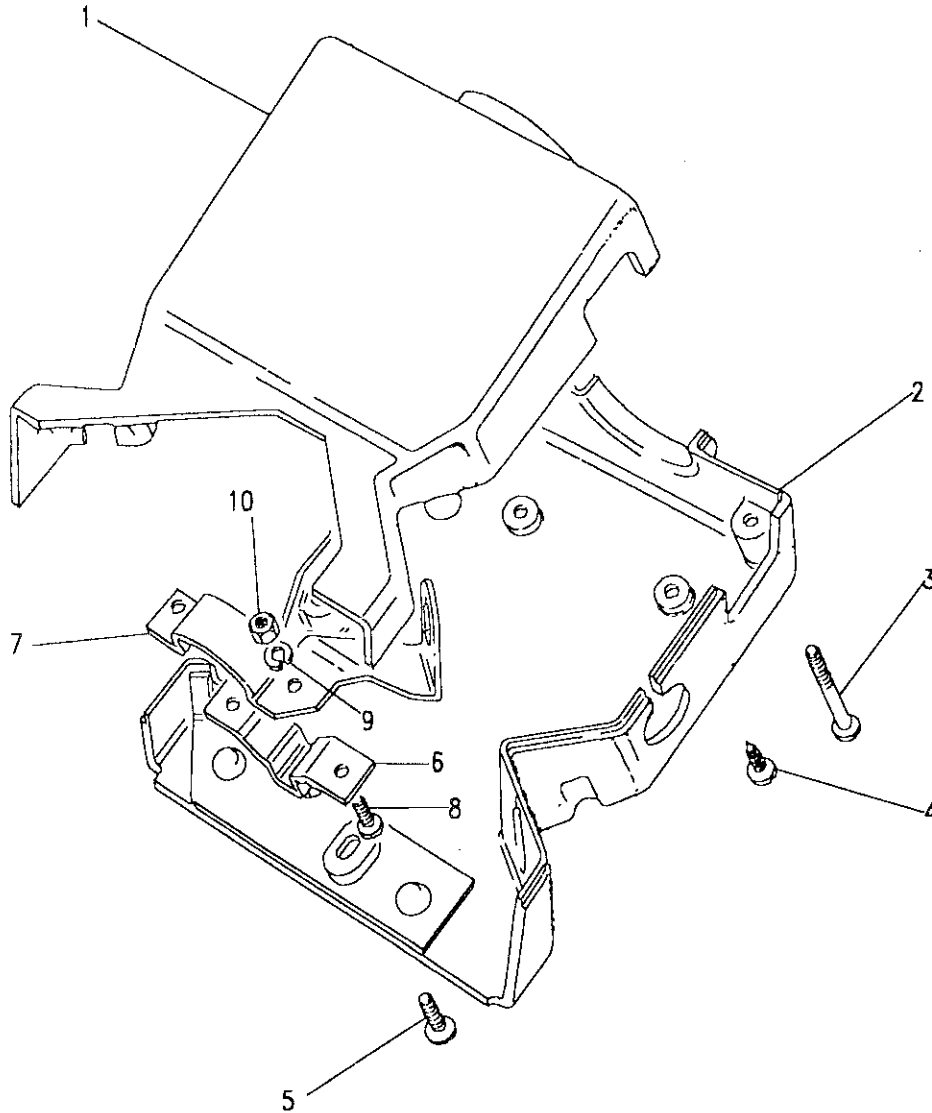
449

STEERING

**Model** DEFENDER 110 1987 onwards  
**Page** AFFXCA1A

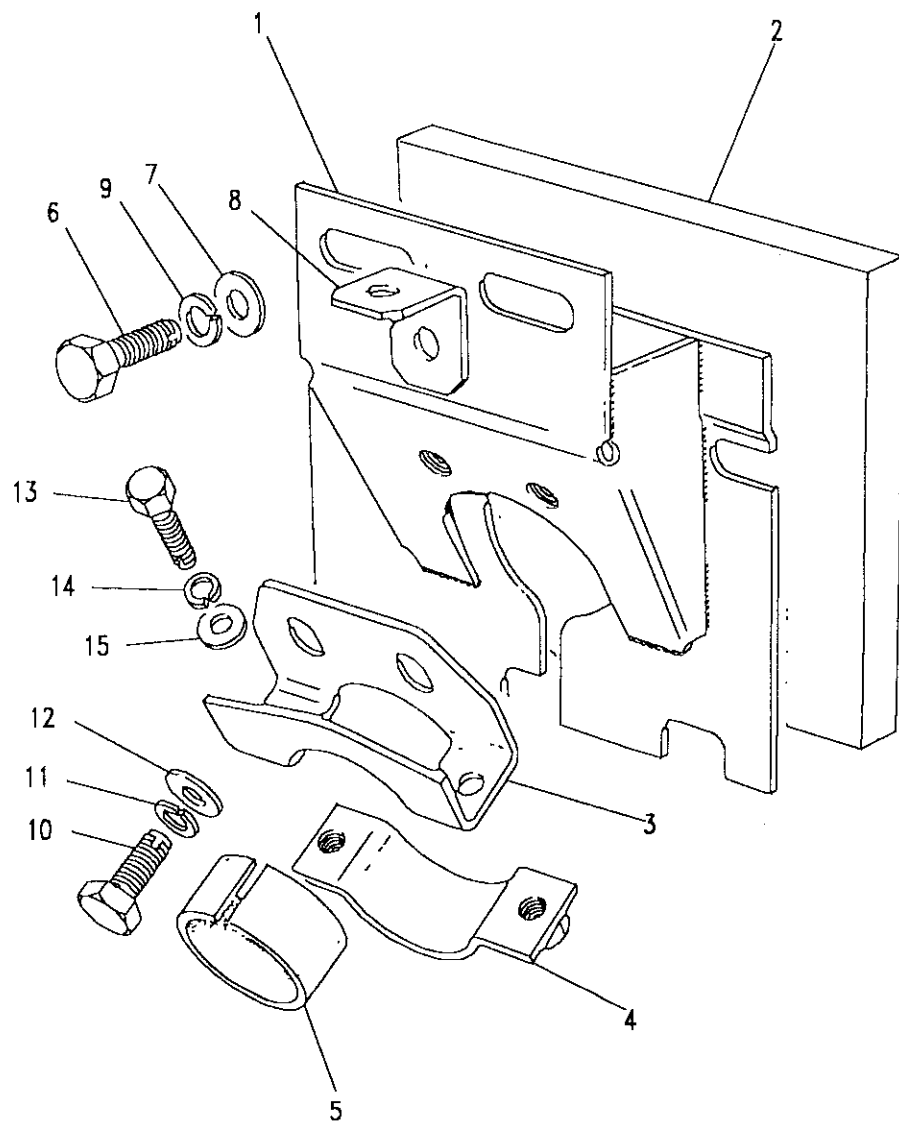
**STEERING - STEERING COLUMN SHROUD**

III. Part No.	Description	Qty	Remarks
1 MTC3499	Shroud-upper	1	
2 MTC3801	Shroud-lower	1	
<b>Fixing - Upper to lower shroud</b>			
3 SE105401	Screw	2	
<b>Fixing - Lower shroud to switch plate</b>			
4 AR608031L	Screw	2	
<b>Fixing - Lower shroud to ignition switch</b>			
5 SE105161	Screw	1	
6 NRC7836	Clamp	1	
7 NRC7835	Bracket	1	
<b>Fixings - Clamp to bracket</b>			
8 SH105121	Screw	2	
9 WA105001	Washer plain	2	
10 NH105041	Nut	2	
331083	Grommet-blanking	1	Diesel



Model DEFENDER 110 1987 onwards  
 Page AFFXE1A

STEERING - COLUMN TOP SUPPORT



III. Part No.	Description	Qty	Remarks
1	MTC1382	1	Bracket support
2	MUC7000	1	Seal
3	346722	1	Clamp-Top
4	MTC1078	1	Clamp-Lower
5	348747	1	Strip rubber
6	FS108251L	2	Screw
7	WA108051L	1	Washer plain
8	MTC4771	1	Bracket-dash cable
9	WL108001L	2	Washer spring
	NN108021	2	Nutsert
10	GG108251L	2	Screw
11	WA108051L	2	Washer plain
12	WL108001L	2	Washer spring
13	GG106251L	2	Screw
14	WL106001L	2	Washer spring
15	WA106041L	2	Washer plain

Model DEFENDER 110 1987 onwards

Page AFFXGA1A

STEERING - MANUAL STEERING BOX - GEMMER

III. Part No.

Description

Qty Remarks

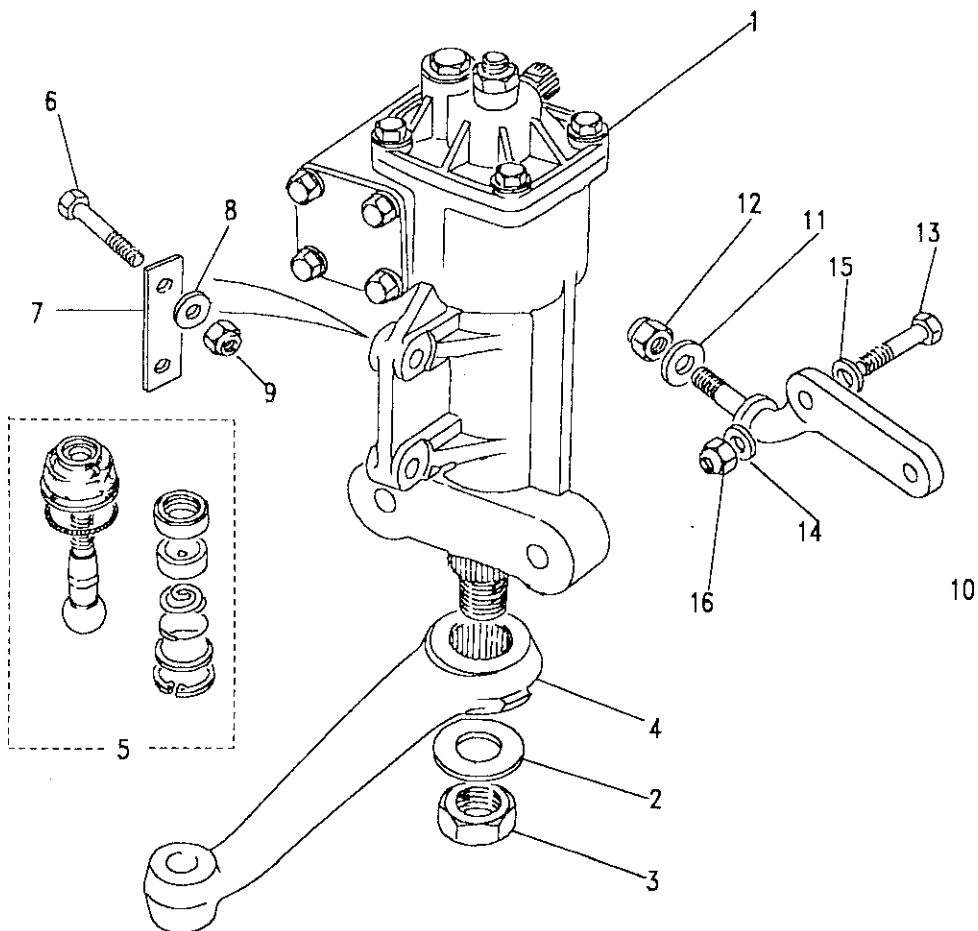
Right Hand Steering

1	NRC8588	Steering box	1	Note(1) No longer available Use NTC2590
	NTC2590	Steering box	1	Note(2) No longer available Use NTC8224
	NTC2590E	Steering box	1	Note(2) Exchange

Left Hand Steering

1	NRC8589	Steering box	1	Note(1) No longer available Use NTC2591
	NTC2591	Steering box	1	Note(2) Upto VIN JA920706
	NTC2591E	Steering box	1	Note(2) Upto VIN JA920706 No longer available Use NTC8223
2	AEU4025	Washer	1	
3	AEU4026	Nut	1	
4	RTC6398	Drop arm-RHS	1	Note(3)
	RTC6399	Drop arm-LHS	1	Note(3)

Note(1) Upto VIN 311627 RHS VIN 322575 LHS  
 Note(2) From VIN 311628 RHS VIN 322576 LHS  
 Note(3) Use RTC4198 Ball joint kit when fitting replacement drop arm  
 RTC6398/RTC6399

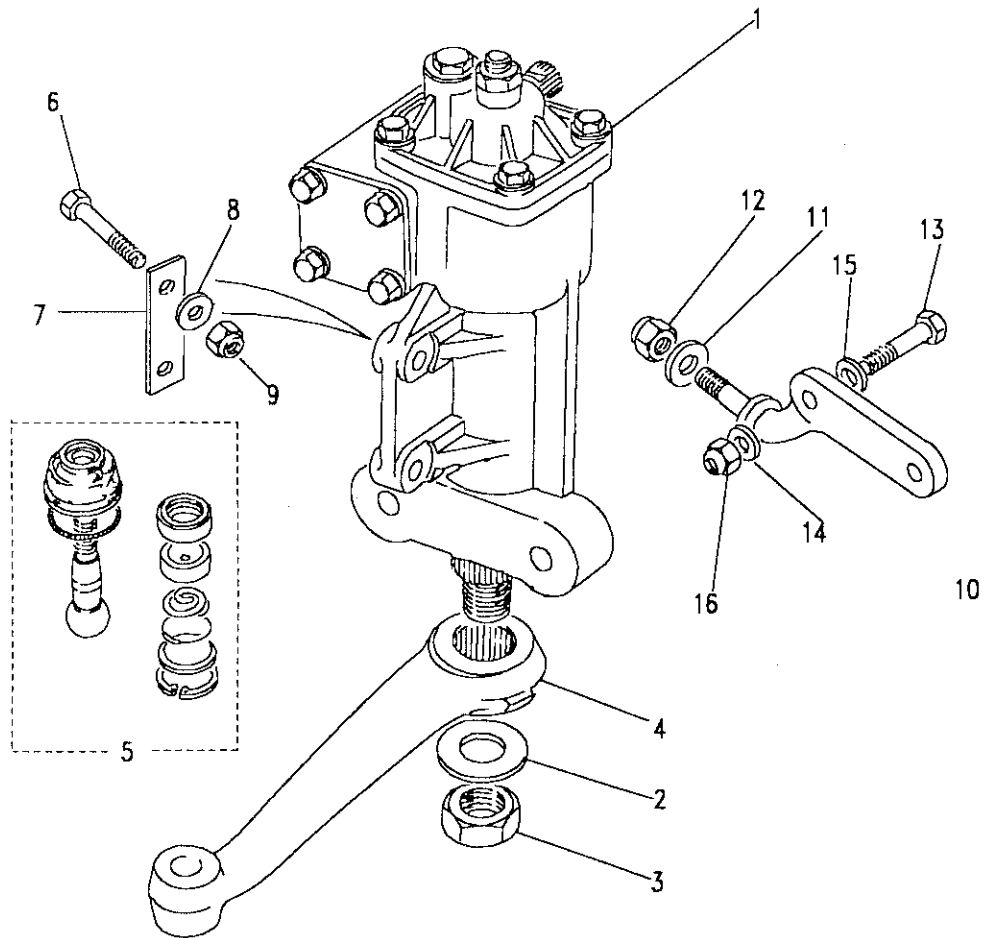


Model DEFENDER 110 1987 onwards  
 Page AFFXGA1A

**STEERING - MANUAL STEERING BOX - GEMMER**

Ill. Part No.	Description	Qty	Remarks
5	AEU2761	1	Note(3)
	RTC4198	1	Note(4)
6	BH607381	4	Note(3)
	BX112201	4	Note(4)
7	572077	2	
8	WA600071	8	Note(3)
	WA112081L	4	Note(4)
9	NY607041L	4	Note(3)
10	594947	1	}
	594946	1	
	ANR2994	2	Note(2)
<b>Tie bar to panhard rod</b>			
11	4905	1	
12	252164	1	
<b>Tie bar steering box</b>			
13	253963	2	Note(1)
	BH607191	2	Note(2)
14	217245	2	
15	3261	2	
16	NY607041L	2	

Note(1) Up to LA939975  
 Note(2) From MA939976  
 Note(3) Upto VIN 311627 RHS VIN 322575 LHS  
 Note(4) From VIN 311628 RHS VIN 322576 LHS



Model DEFENDER 110 1987 onwards  
 Page AFFXGA2A

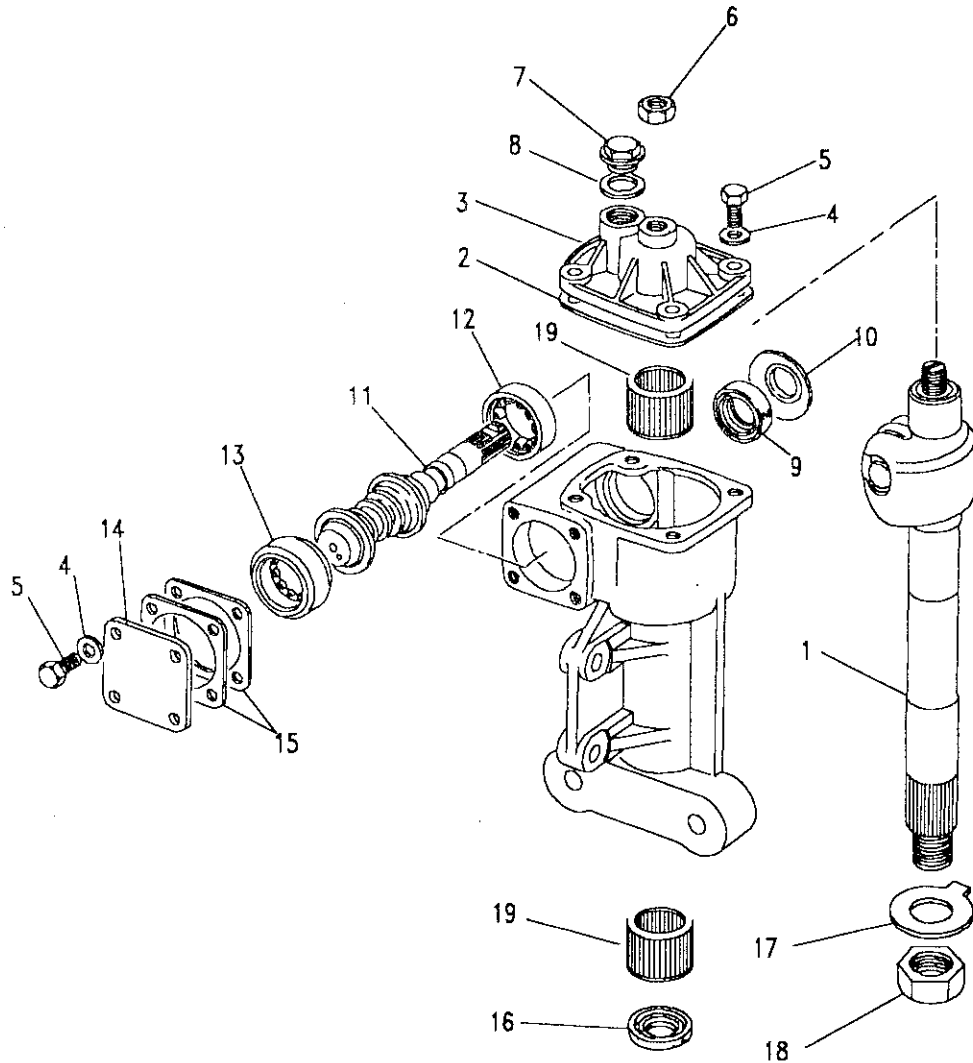
STEERING - MANUAL STEERING BOX - GEMMER

III. Part No.

Description

Qty Remarks

1	RTC5909	Rockershaft	1	LHS
	RTC5908	Rockershaft	1	RHS
2	BAU4865	Seal	1	Part of STC603
3	AEU4013	Cover plate	1	
4	AEU4014	Screw	8	
5	AEU4015	Washer	8	
6	AEU4016	Nut	1	
7	AEU4017	Filler plug	1	
8	AEU4018	Seal	1	
9	BAU4870	Seal-Wormshaft	1	Part of STC603
10	AEU4019	Dust seal	1	Part of STC603
11	AEU4020	Wormshaft	1	LHS
	AEU4021	Wormshaft	1	RHS
12	RTC6130	Bearing	1	
13	RTC6129	Bearing	1	
14	AEU4023	Plate cover	1	
15	BAU4871	Shim	A/R	Part of STC603
16	AEU4024	Seal	1	
17	AEU4025	Washer tab	1	
18	AEU4026	Nut	1	Part of STC603
19	STC1055	Bearing needle	2	
	STC603	Seal kit	1	

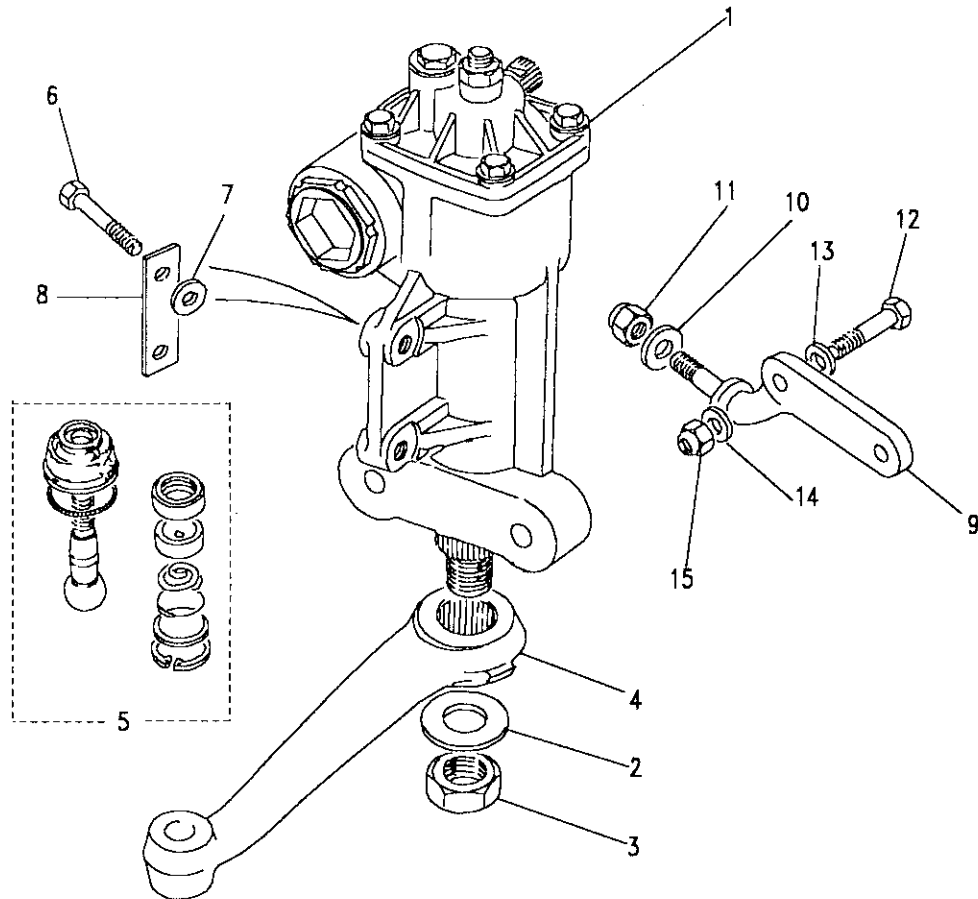


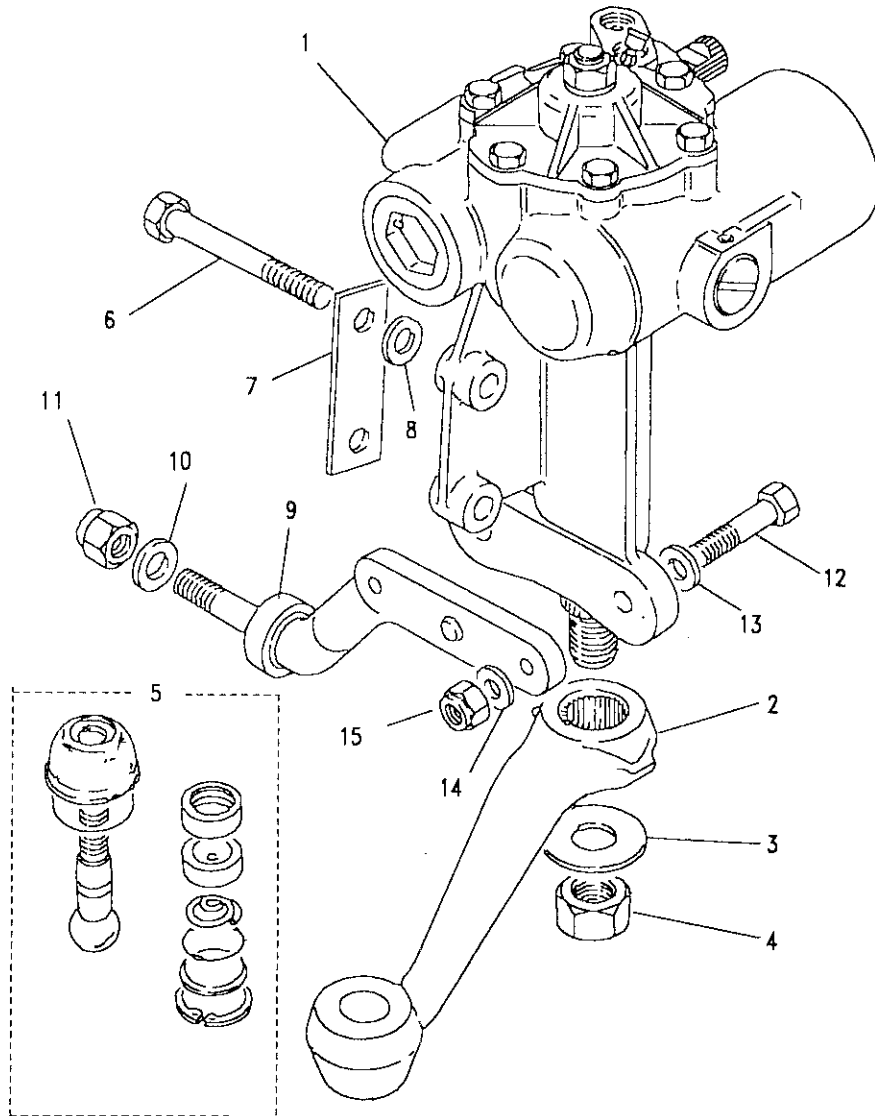
Model DEFENDER 110 1987 onwards  
 Page AFFXGA3A

STEERING - MANUAL STEERING BOX - ADWEST

III. Part No.	Description	Qty	Remarks
1	NTC8224	1	
1	NTC8223	1	From VIN JA920707
2	600265	1	Washer tab
3	NH614041	1	Nut
4	STC1044	1	Drop arm-RHS
4	STC1045	1	Drop arm-LHS
5	RTC4198	1	Kit ball joint
6	BX112201	4	Bolt
7	WA112081L	4	Washer plain
8	572077	2	Washer tab
9	594947	1	Tie bar-RHS
	594946	1	Tie bar-LHS
	ANR2994	2	Tie bar LHS & RHS
10	4905	1	Washer plain
11	NY608041L	1	Nut
12	BH607161L	2	Bolt
	BH607191L	2	Bolt
13	3261	2	Washer plain
14	217245	2	Washer plain
15	NY607041L	2	Nut
	STC892	1	Kit repair steering box
	STC897	1	Kit filler plug

Note(1) Up to LA939975  
 Note(2) From MA939976





Model DEFENDER 110 1987 onwards  
 Page AFFXGC1A

STEERING - POWER STEERING BOX - GEMMER

III. Part No. Description Qty Remarks  
 Upto VIN 290109  
 From VIN 290110 Upto JA919038 - See Note(1)

From VIN JA919039 - See Adwest

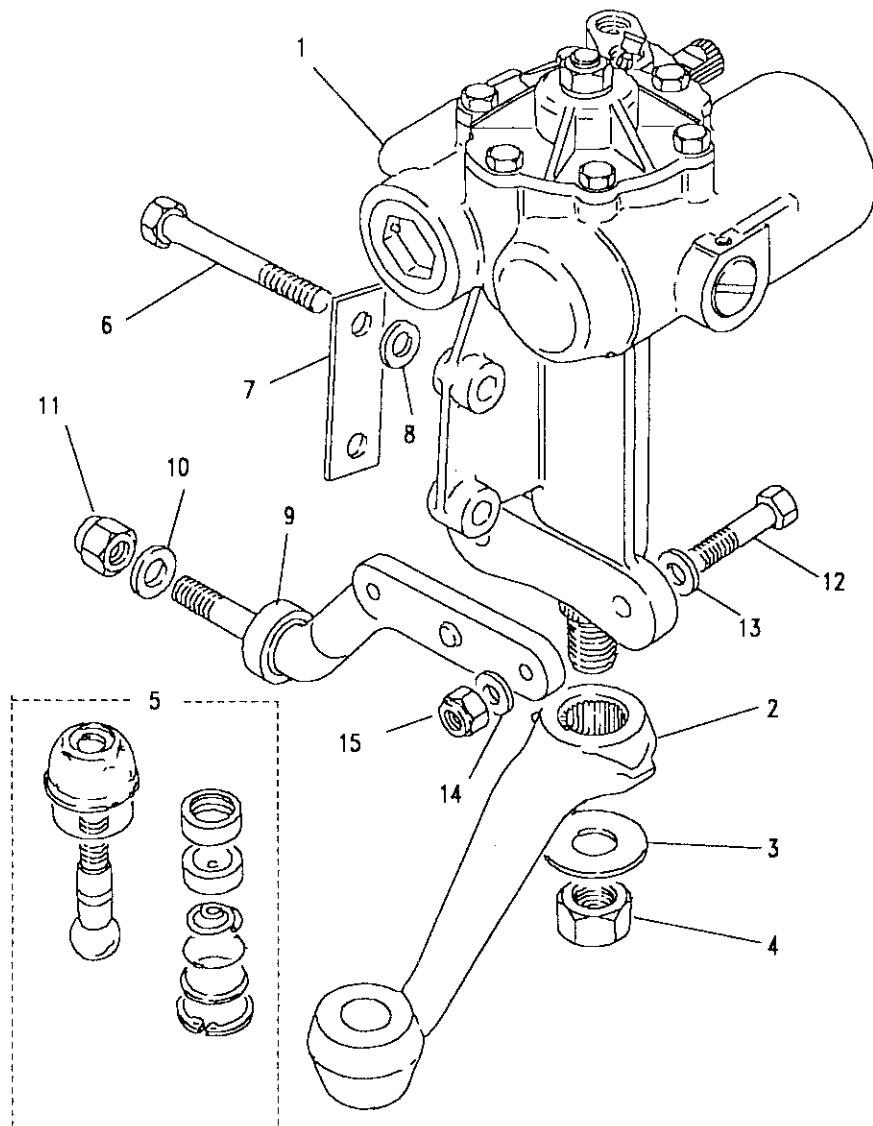
Part No.	Description	Qty	Remarks
1	NTC1582	1	Steering box-RHS
	NTC1582E	1	Steering Box-RHS
	NTC1583	1	Steering box-LHS
	NTC1583E	1	Steering Box-LHS
2	RTC6398	1	Drop arm-RHS
	RTC6399	1	Drop arm-LHS
3	AEU4025	1	Washer
4	AEU4026	1	Nut
5	RTC4198	1	Ball joint kit
6	BX112201	4	Bolt
7	572077	2	Washer tab
8	WA112081L	4	Washer plain
9	594947	1	Tie bar RHS
	ANR2994	1	Tie bar LHS & RHS
	594946	1	Tie bar-LHS
10	4905	1	Washer plain
11	NY608041L	1	Nut

NLA Use ANR2994 with  
 2 X BH607201L bolts  
 Note(1)  
 Note(2)

Note(1) Up to LA939769  
 Note(2) From LA939770







**Model** DEFENDER 110 1987 onwards

**Page** AFFXGC1A

**STEERING - POWER STEERING BOX - GEMMER**

III. Part No.	Description	Qty	Remarks
12	BH607161L	2	Note(1)
	BH607191L	2	Note(2)
13	3261	2	
14	217245	2	
15	NY607041L	2	
	RTC5071	1	
	RTC5074	1	
	RTC5068	1	No longer available
	RTC5069	1	No longer available
	RTC5070	1	
	RTC5072	1	No longer available
	RTC5073	1	No longer available

Note(1)

Note(2)

Note(3)

Up to LA939769

From LA939770

From VIN 290110 - Gemmer or Adwest Lightweight may be fitted - Check before ordering



**Model** DEFENDER 110 1987 onwards  
**Page** AFFXGC2A

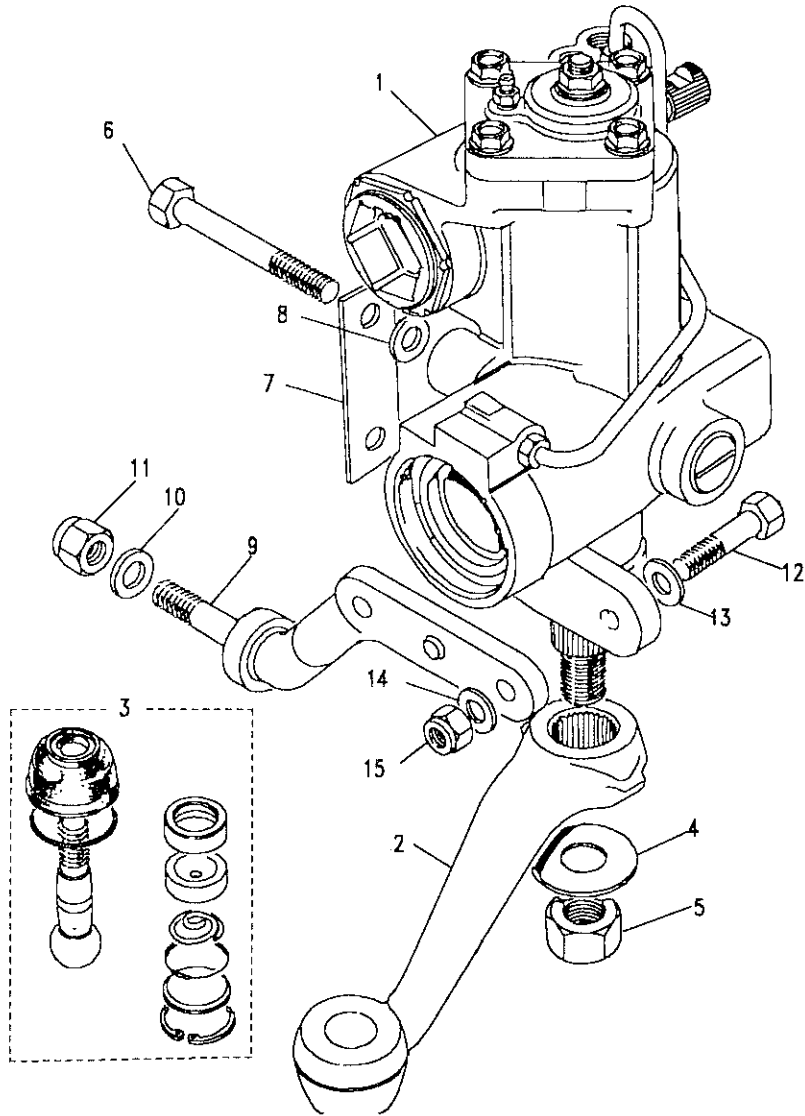
**STEERING - POWER STEERING BOX - ADWEST**

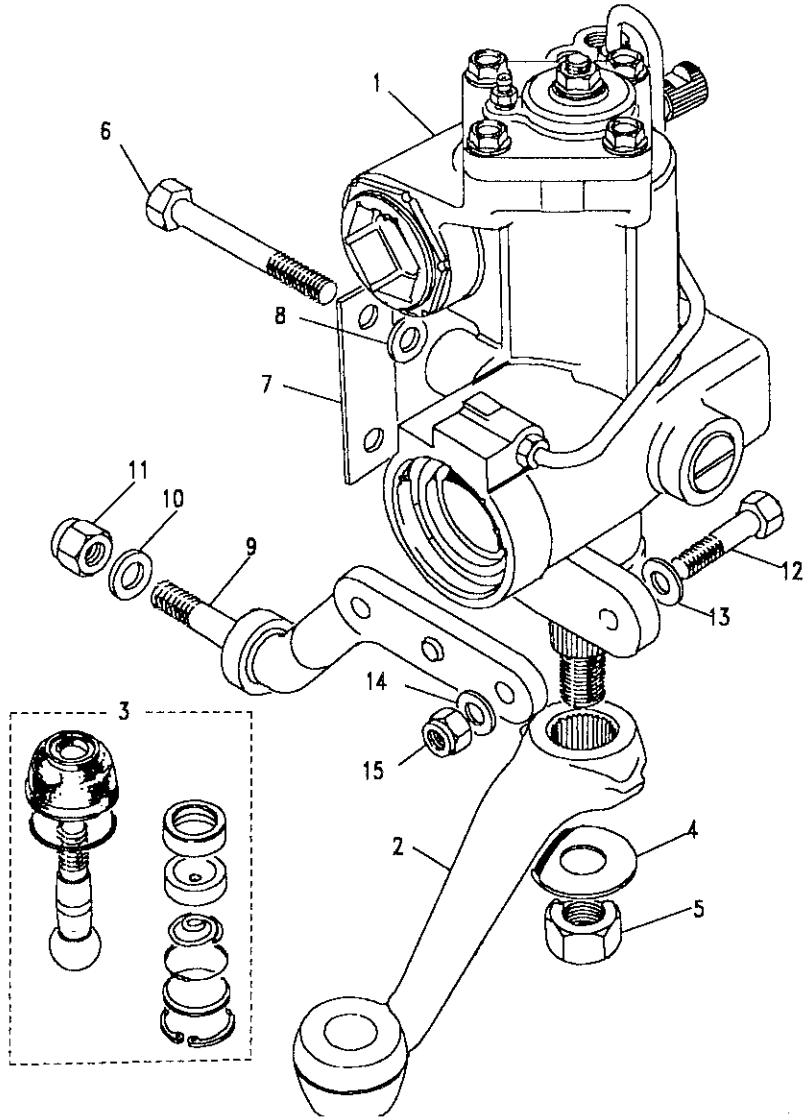
**III. Part No. Description Qty Remarks**  
**From VIN 290110 Upto JA919038 - See Note(1)**

**From VIN JA919039 onwards**

1	STC398	Steering box RHS	1	Upto VIN JA919038
1	STC837	Steering box RHS	NLA	From VIN JA919039 Upto VIN KA625024 Use STC887
	STC887	Steering box RHS	1	From VIN KA625025
	STC888	Steering box LHS	1	
	STC8384E	Steering Box RHS	1	Exchange
	STC8383E	Steering Box LHS	1	Exchange
2	STC1044	Drop arm and ball joint	1	RHS
	STC1045	Drop arm and ball joint	1	LHS
3	600265	Washer tab	1	
4	NT614041L	Nut	1	
5	RTC4198	Ball joint kit	1	
6	BX112201	Bolt	4	
7	572077	Washer tab	2	
8	WA112081L	Washer plain	4	
9	594947	Tie bar RHS	NLA	Use ANR2994 with 2 X BH607201L bolts Note(1)
	ANR2994	Tie bar LHS & RHS	1	Note(2)
	594946	Tie bar LHS	1	Note(1)

Note(1) Up to LA939769  
 Note(2) From LA939770  
 Note(3) From VIN 290110 upto VIN JA919038 - Gemmer or Adwest may be fitted - Check before ordering





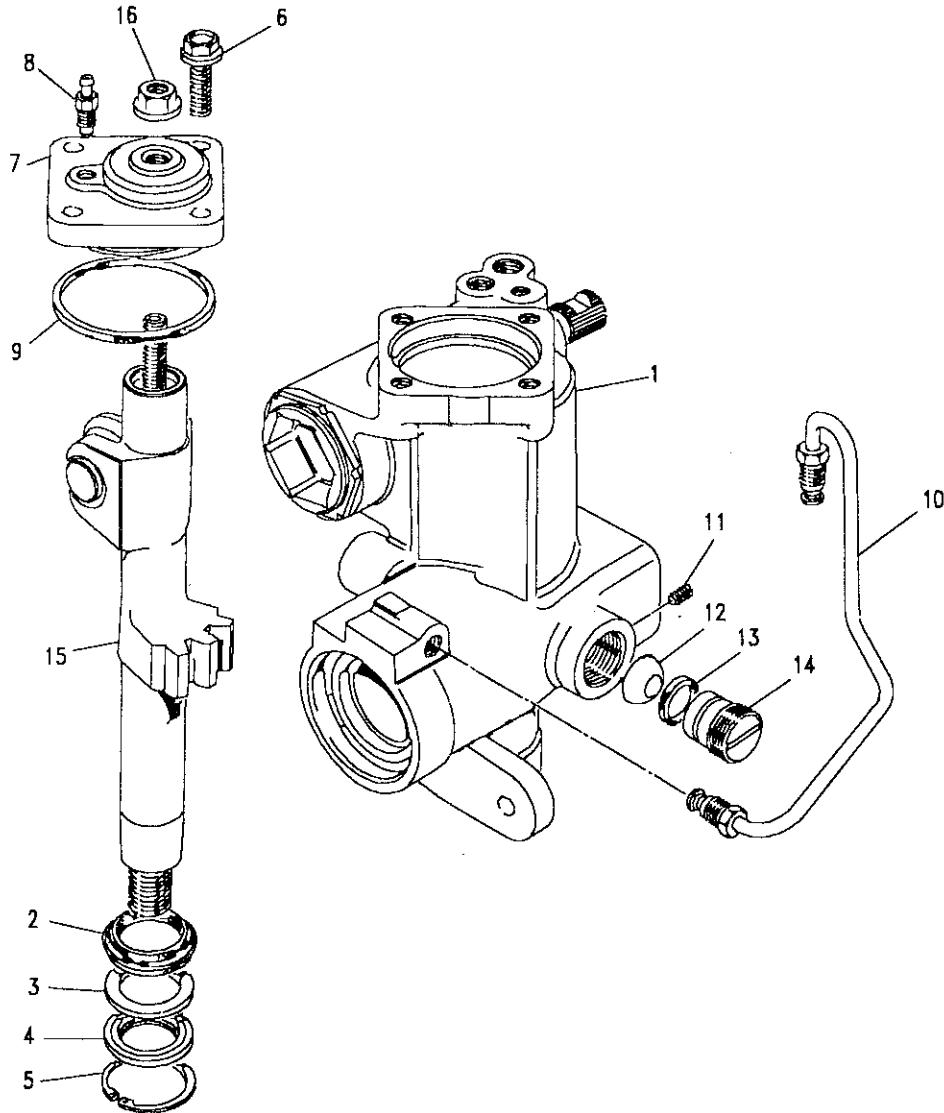
**Model** DEFENDER 110 1987 onwards  
**Page** AFFXGC2A

**STEERING - POWER STEERING BOX - ADWEST**

III. Part No.	Description	Qty	Remarks
<b>Tie bar to panhard rod</b>			
10 4905	Washer plain	1	
11 NY608041L	Nut	1	
<b>Tie bar to steering box</b>			
12 BH607161L	Bolt	2	Note(1)
BH607191L	Bolt	2	Note(2)
13 3261L	Washer plain	2	
14 217245	Washer plain	2	
15 NY607041L	Nut nyloc	2	

Note(1) Up to LA939769  
 Note(2) From LA939770  
 Note(3) From VIN 290110 upto VIN JA919038 - Gemmer or Adwest may be fitted - Check before ordering





**Model** DEFENDER 110 1987 onwards  
**Page** AFFXGC3A

**STEERING - POWER STEERING BOX - ADWEST**

**III. Part No. Description Qty Remarks**  
**From VIN 290110 Upto JA919038 - See Note(1)**

**From VIN JA919039 onwards**

Part No.	Description	Qty	Remarks
1	RTC4391	1	Note(3) No longer available
	RTC4392	1	Note(3) No longer available
	STC416	1	Note(4)
	STC417	1	Note(4)
2	608066	NLA	Note(2) (5)
3		1	Note(2) (5)
4		1	Note(2) (5)
5	606551	NLA	Note(5)
	RTC6110	1	Note(5)
6	RTC4393	4	
7	STC418	1	
8	RTC4395	1	
9		1	Note(2)

Note(1) From VIN 290110 upto VIN JA919038 - Gemmer or Adwest may be fitted - Check before ordering  
 Note(2) Part of STC876  
 Note(3) For steering box NTC1580/1  
 Note(4) For steering box NTC8416/7  
 Note(5) Part of STC1042  
 Note(6) Part of STC1040

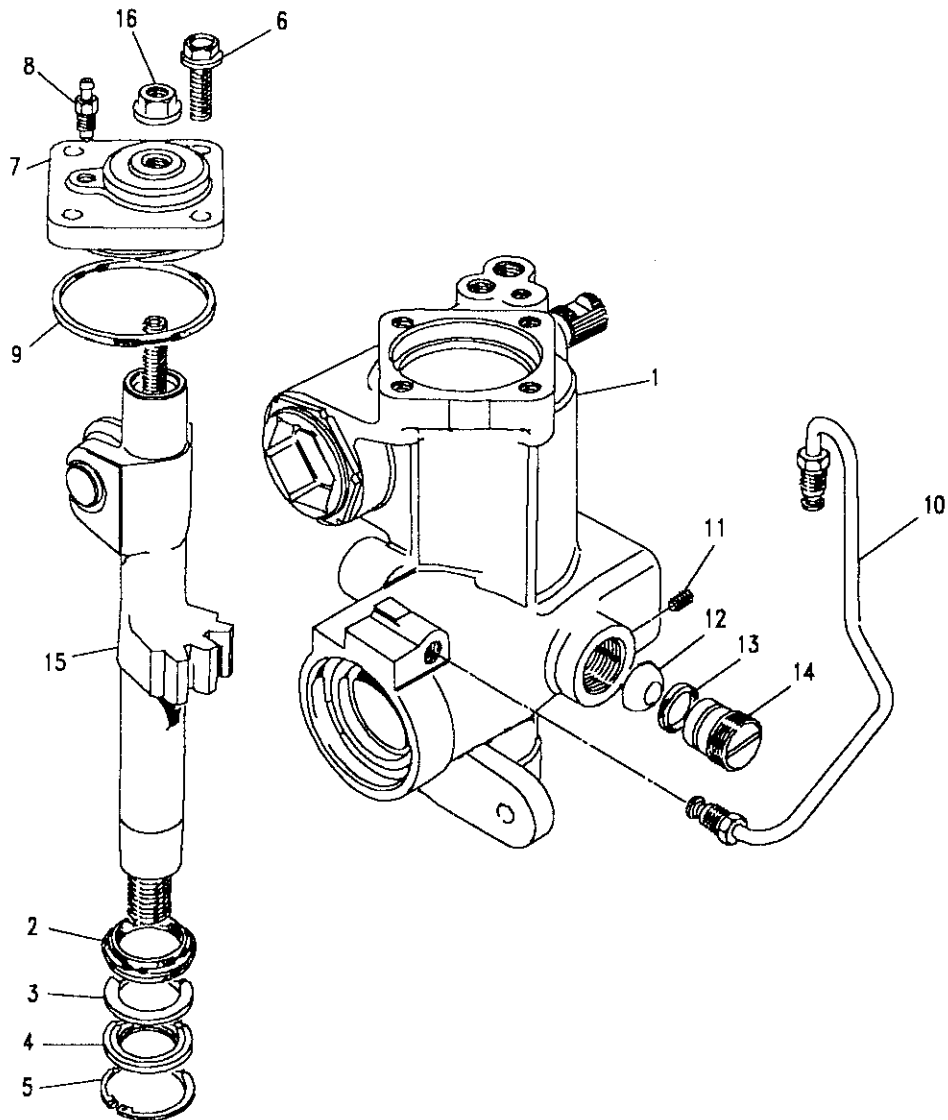
Model DEFENDER 110 1987 onwards

Page AFFXGC3A

STEERING - POWER STEERING BOX - ADWEST

III. Part No.	Description	Qty	Remarks
10	RTC4400	1	
	RTC4401	1	
11	11011L	1	Note(6)
12	606544	NLA	Note(6)
13	608065	1	Note(2)
14	606545	1	Note(6)
15	RTC4398	1	
	RTC4399	1	
16	RTC4394	1	
	STC876	1	
	STC1042	1	
	STC1040	1	

- Note(1) From VIN 290110 upto VIN JA919038 - Gemmer or Adwest may be fitted - Check before ordering
- Note(2) Part of STC876
- Note(3) For steering box NTC1580/1
- Note(4) For steering box NTC8416/7
- Note(5) Part of STC1042
- Note(6) Part of STC1040





DEFENDER 110 1987 onwards

461

STEERING

Model DEFENDER 110 1987 onwards

Page AFFXGC4A

STEERING - POWER STEERING BOX - ADWEST

III. Part No. Description Qty Remarks

From VIN 290110 Upto JA919038 - See Note(1)

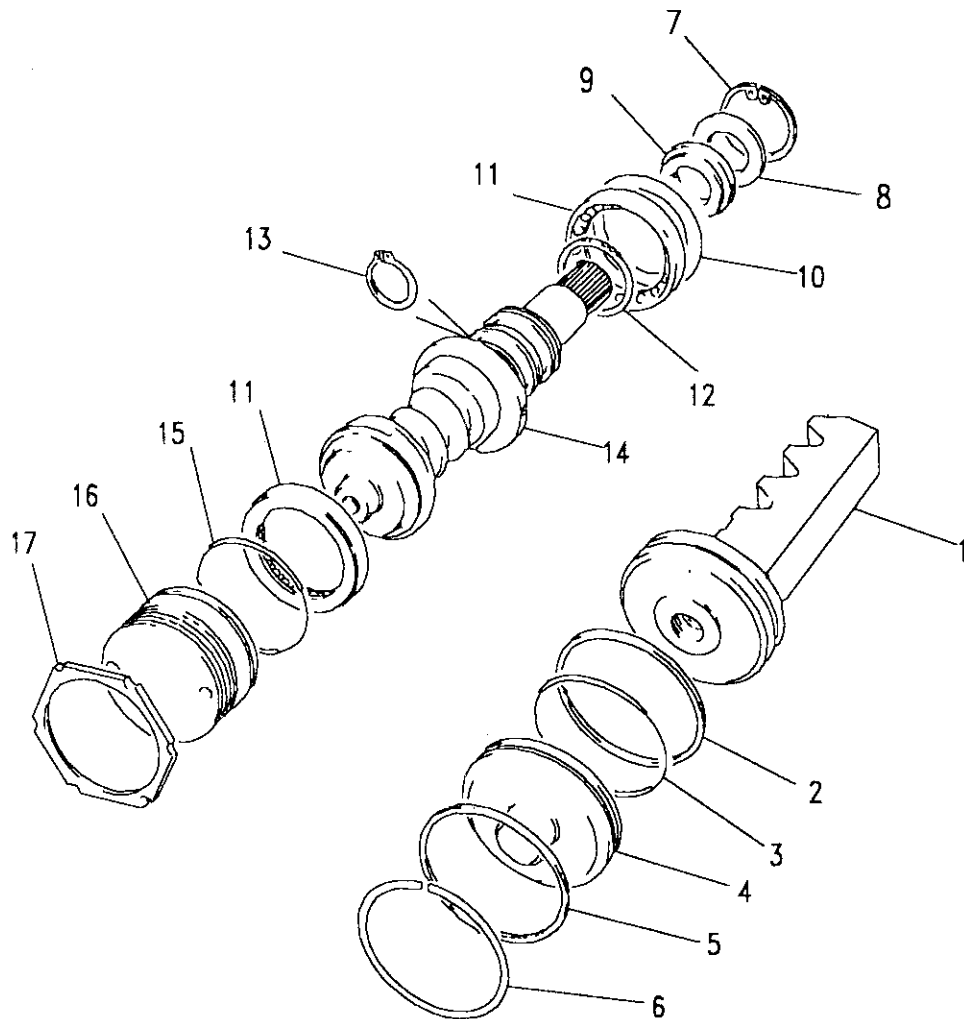
From VIN JA919039 onwards

1	RTC4402	Piston	1	
2		Ring teflon	1	Note(2)
3		O-ring	1	Note(2)
4	RTC4403	Cover	1	
5		Seal	1	Note(2)
6	RTC4404	Ring retaining	1	
7		Circlip	1	Note(3)
8		Washer	1	Note(2) (3)
9	AEU1248	Seal-rotor	NLA	Note(2) (3)
10	RTC4410	Shim set	1	
11	RTC4409	Bearing race	2	
12	608000	Ring teflon	3	
13	607567	Circlip	1	
14	RTC4405	Worm and valve-RHS	1	
	RTC4406	Worm and valve-LHS	1	
15		Seal	1	Note(2)
16	RTC4407	Screw-worm adjusting	1	
17	RTC4408	Lock nut	1	
	STC876	Seal kit-overhaul	NLA	use STC890
	STC890	Seal kit-overhaul	1	
	STC1041	Seal kit-input shaft	NLA	use STC875
	STC875	Seal kit-input shaft	NLA	use STC889
	STC889	Seal kit-input shaft	1	

Note(1) From VIN 290110 upto VIN JA919038 - Gemmer or Adwest may be fitted - Check before ordering

Note(2) Part of STC876

Note(3) Part of STC1041

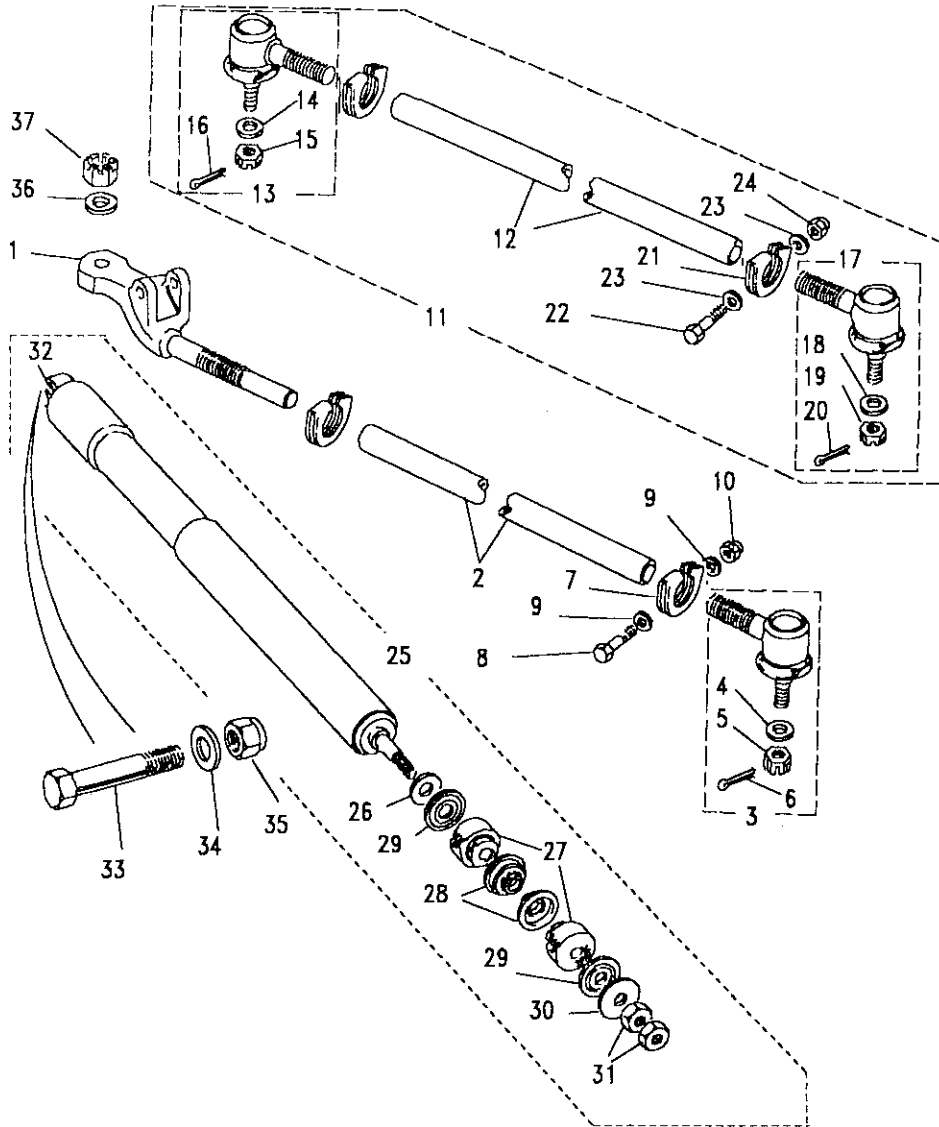




Model DEFENDER 110 1987 onwards  
Page AFFXKA1A

STEERING - STEERING TRACK RODS

Ill. Part No.	Description	Qty	Remarks
1	NRC8231	1	Upto LA939975
	ANR2858	1	From MA939976
	NRC8232	1	Upto LA939975
	ANR2859	1	From MA939976
2	NRC9741	1	Upto LA939975
	ANR2860	1	From MA939976
3	RTC5869	1	
4	WC112081L	2	
5	NC112041	2	
6	PS105321L	1	
7	577898	2	
8	BH604151L	2	
9	WA106041L	4	
10	NY604041L	2	
11	NRC9743	1	
12	NRC9742	1	
13	RTC5869	1	
14	WC112081L	1	
15	NC112041	1	
16	PS105321L	1	
17	RTC5870	1	
18	WC112081L	1	
19	NC112041	1	
20	PS105321L	1	



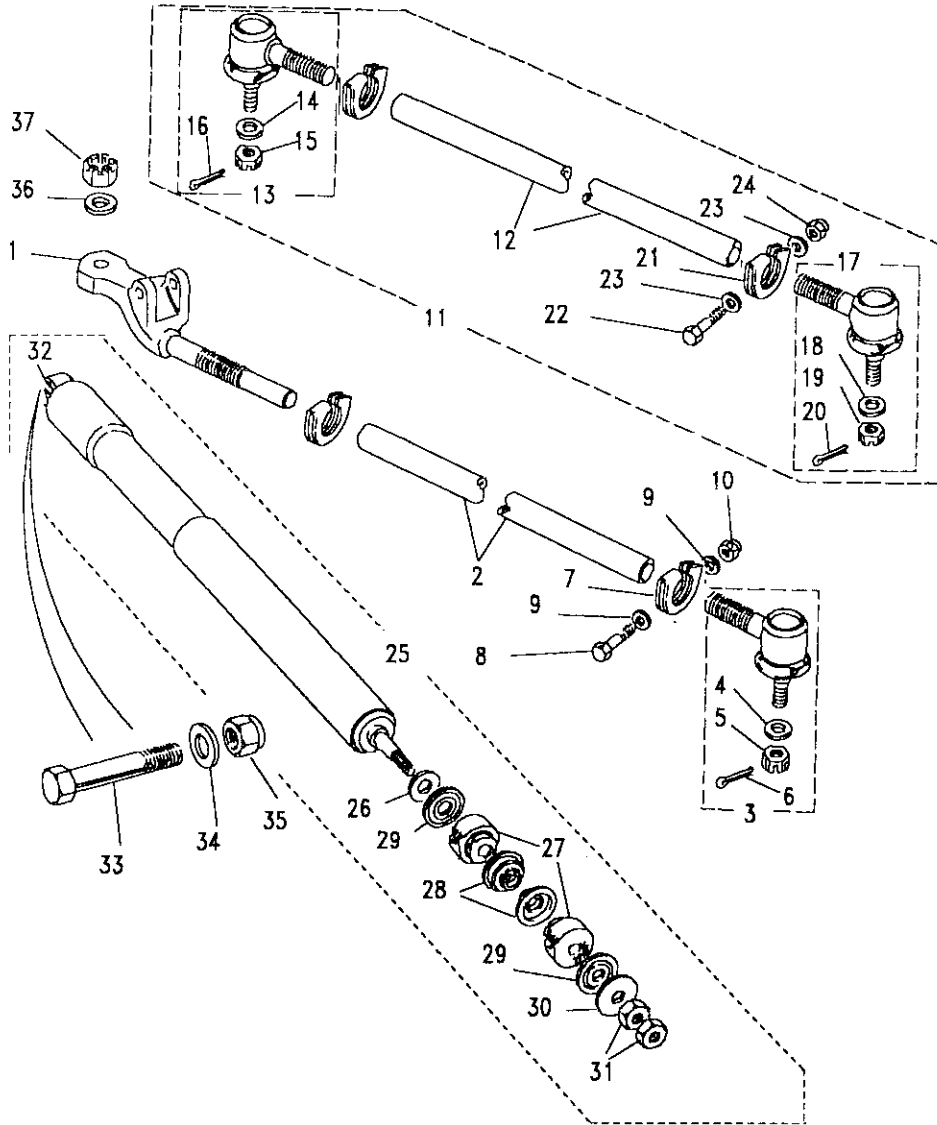
**Model** DEFENDER 110 1987 onwards  
**Page** AFFXKA1A

**STEERING - STEERING TRACK RODS**

Ill. Part No.	Description	Qty	Remarks
21	577898	2	Clamp
22	BH604151L	2	Bolt
23	WA106041L	4	Washer plain
24	NY604041L	2	Nut nyloc
25	RTC4472	1	Damper steering kit
26	595199	1	Washer plain
27	568858	2	Bush rubber
28	543819	2	Washer intermediate
29	90575597	2	Washer stem
30	WJ110001L	1	Washer plain
31	AFU4214	2	Nut thin M10
32	NTC1775	1	Bush rubber
33	BH110121L	1	Bolt-damper to crossrod
34	WA110061L	1	Washer plain
35	NY110041L	1	Nut nyloc

**Steering drop arm to crossrod**

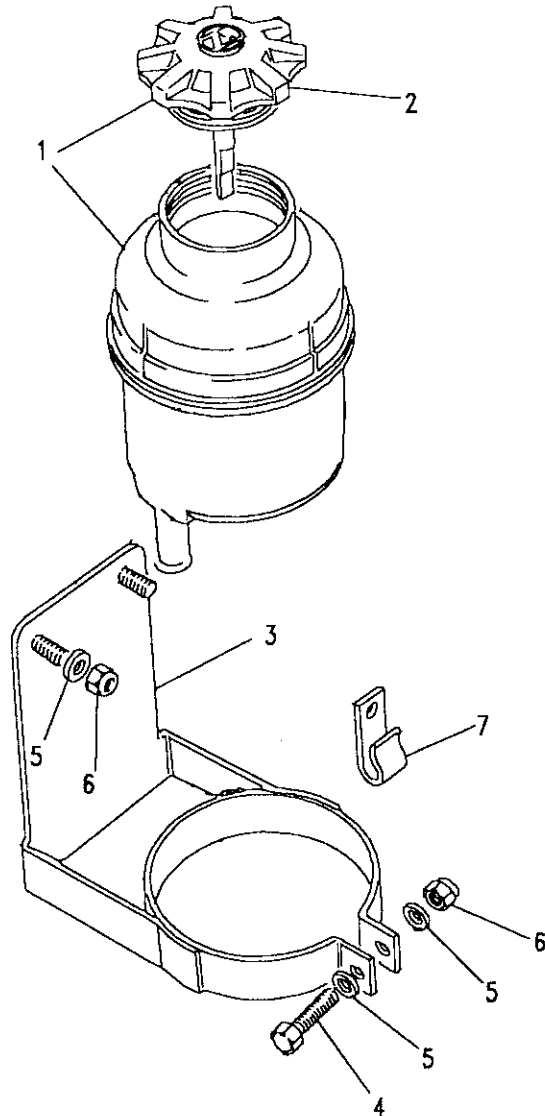
36	WC112081L	1	Washer plain
37	NC112041	1	Nut castle





**Model** DEFENDER 110 1987 onwards  
**Page** AFFXPA1A

**STEERING - POWER STEERING RESERVOIR**



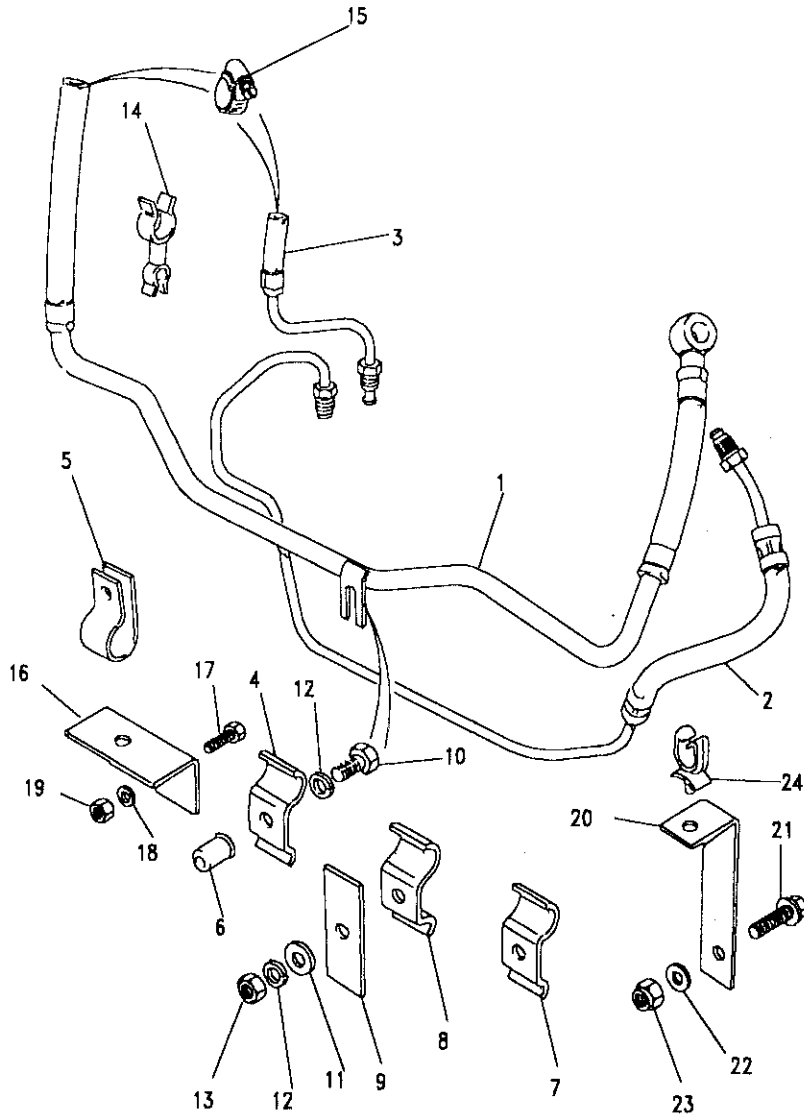
III. Part No.	Description	Qty	Remarks
1	ANR1998 Reservoir assembly	1	
2	NTC2723 Cap reservoir	1	
3	ANR3327 Carrier bracket	1	
4	SH106251L Screw	1	
5	WA106041L Washer plain	4	
6	NY106041 Nut nyloc	3	
7	NRC2383 P-clip	1	



DEFENDER 110 1987 onwards

465

STEERING



**Model** DEFENDER 110 1987 onwards  
**Page** AFFXRA1A

**STEERING - POWER STEERING PIPES - UPTO VIN JA918809**

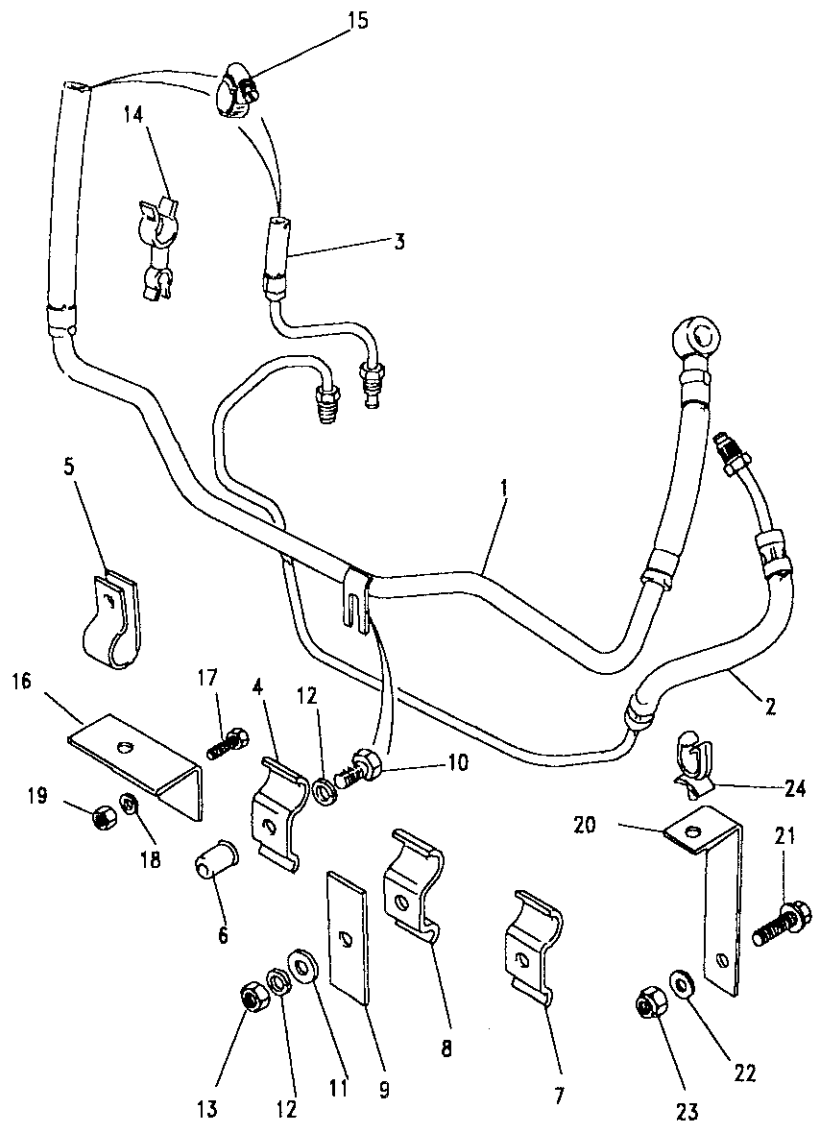
Ill. Part No.	Description	Qty	Remarks
<b>4 Cylinder Petrol and Non Turbo Diesel</b>			
1 NTC1691	Pipe-reservoir to pump	1	Upto VIN FA388915
1 NTC6863	Pipe-reservoir to pump	1	From VIN FA388916
<b>Diesel Turbo</b>			
1 NTC3066	Pipe-reservoir to pump	1	Upto VIN FA388915
1 NTC6863	Pipe-reservoir to pump	1	From VIN FA388916 Upto VIN FA455645
<b>200Tdi</b>			
1 NTC8192	Pipe-reservoir to pump	1	
<b>V8</b>			
1 NTC2595	Pipe-reservoir to pump	1	

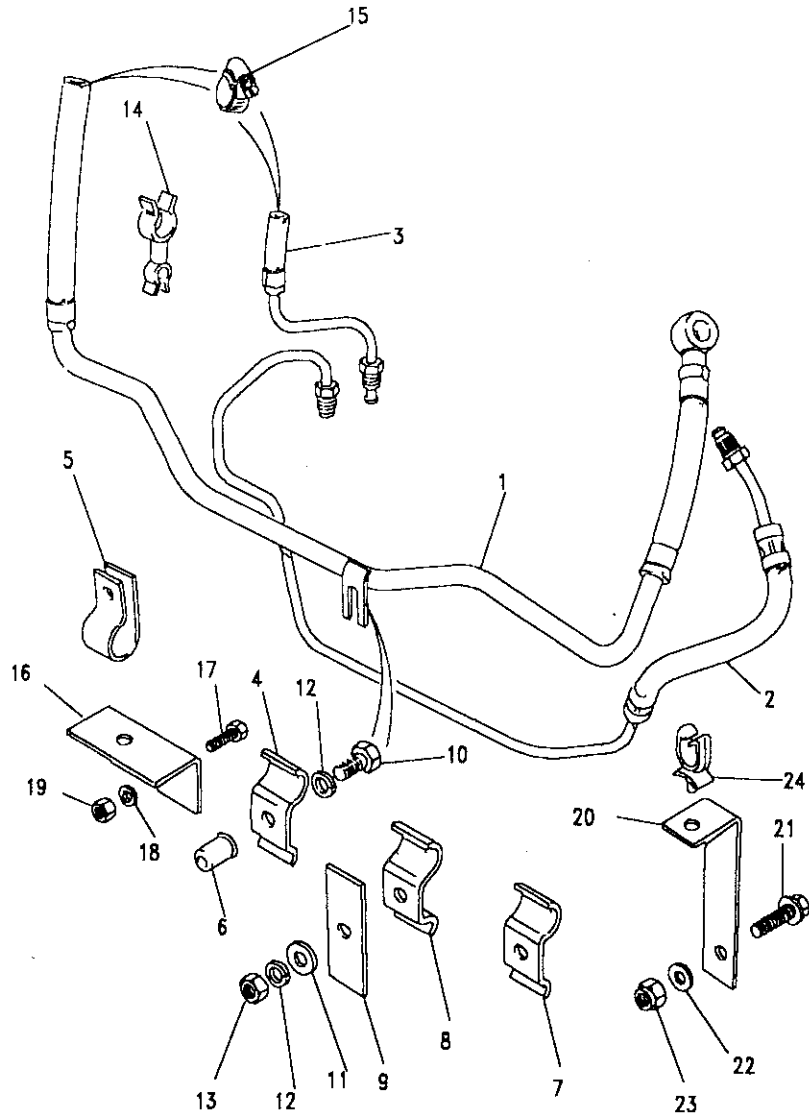


Model DEFENDER 110 1987 onwards  
 Page AFFXRA1A

**STEERING - POWER STEERING PIPES - UPTO VIN JA918809**

III. Part No.	Description	Qty	Remarks
<b>4 Cyl Petrol and Non Turbo Diesel - Right Hand Steering</b>			
2 NTC5001	Pipe-pump to strg box	1	Upto VIN FA389464
2 NTC6731	Pipe-pump to strg box	1	From VIN FA389465
<b>Diesel Turbo - Right Hand Steering</b>			
2 NTC5001	Pipe-pump to strg box	1	Upto VIN FA389464
2 NTC6731	Pipe-pump to strg box	1	From VIN FA389465
<b>200Tdi - Right Hand Steering</b>			
2 NTC8193	Pipe-pump to strg box	1	
<b>V8 - Right Hand Steering</b>			
2 NTC2597	Pipe-pump to strg box	1	
RTC4826	O-ring	1	

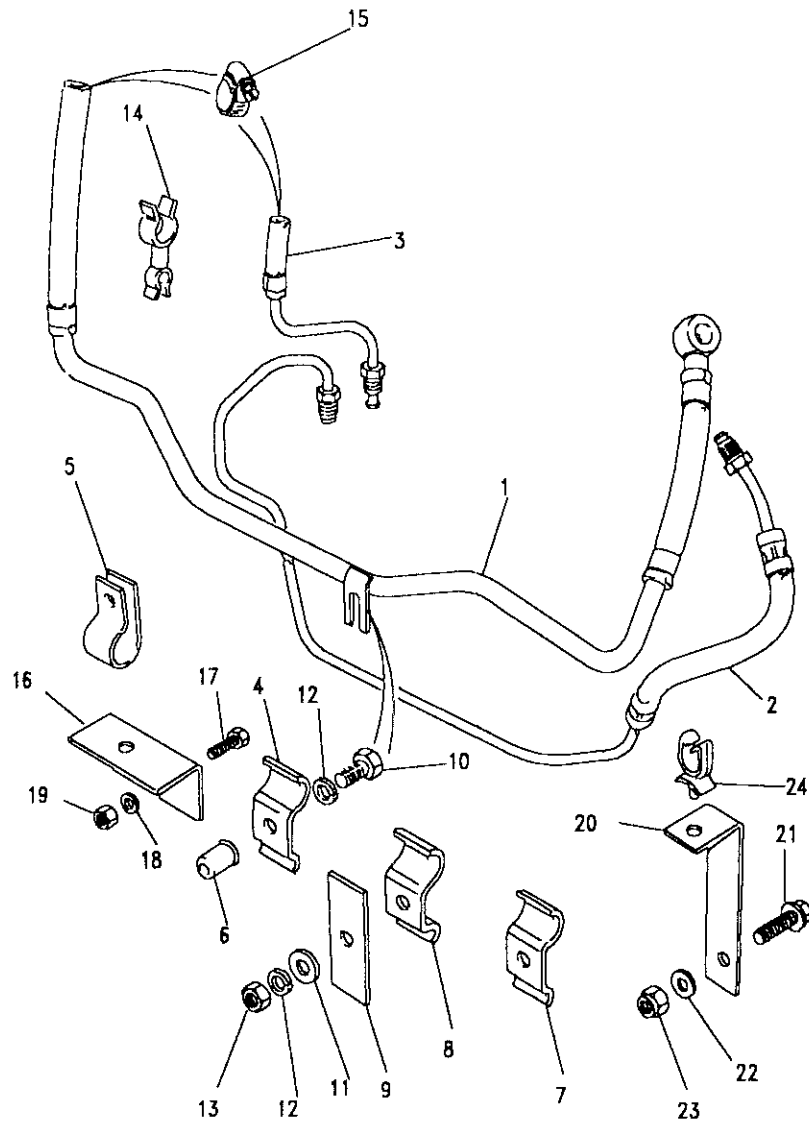




**Model** DEFENDER 110 1987 onwards  
**Page** AFFXRA1A

**STEERING - POWER STEERING PIPES - UPTO VIN JA918809**

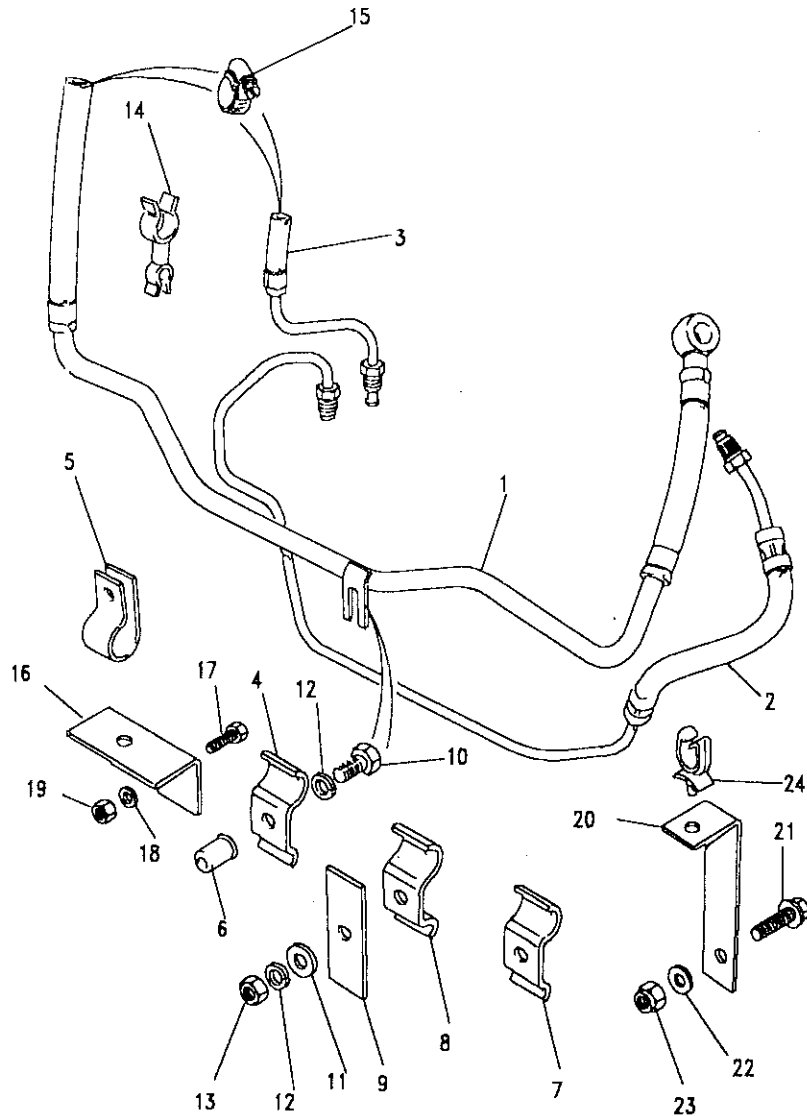
III. Part No.	Description	Qty	Remarks
<b>4 Cyl Petrol and Non Turbo Diesel - Left Hand Steering</b>			
2 NTC5000	Pipe-pump to strg box	1	Upto VIN FA389107
2 NTC6730	Pipe-pump to strg box	1	From VIN FA389108
<b>Turbo Diesel - Left Hand Steering</b>			
2 NTC5000	Pipe-pump to strg box	1	Upto VIN FA389107
2 NTC6730	Pipe-pump to strg box	1	From VIN FA389108
<b>200Tdi - Left Hand Steering</b>			
2 NTC8191	Pipe-pump to strg box	1	
<b>V8 - Left Hand Steering</b>			
2 NTC6790	Pipe-pump to strg box	1	
RTC4826	O-ring	1	



**Model** DEFENDER 110 1987 onwards  
**Page** AFFXRA1A

**STEERING - POWER STEERING PIPES - UPTO VIN JA918809**

III. Part No.	Description	Qty	Remarks
3	NTC8861	1	RHS
	NTC8860	1	LHS
	RTC4825	1	O-ring
4	NRC6302	1	Pipe clip-air cleaner-RHS
5	NRC8408	1	Pipe clip-air cleaner-LHS
	NRC9492	1	Clip support
	NTC3791	1	Clip support
6	NN106011	2	Nutsert
7	NRC9302	2	Clip pipe-crossmember-RHS
	NRC8404	2	Clip pipe-crossmember-LHS
8	NRC8404	1	Clip pipe
	NRC6302	1	Clip pipe-RHS
	NRC8404	1	Clip pipe LHS
9	NRC8405	1	Plate
10	SH106121L	3	Screw-clip to crossmember
	SH106161L	2	V8 RHS
	SH106121L	4	4 cyl LHS
	SH106161L	3	V8 LHS
11	WA106041L	A/R	Washer plain
12	WL106001L	A/R	Washer spring
13	NH106041L	A/R	Nut



Model DEFENDER 110 1987 onwards  
 Page AFFXRA1A

STEERING - POWER STEERING PIPES - UPTO VIN JA918809

III. Part No.	Description	Qty	Remarks
14	ADU9081L	1	
	ADU9081L	1	) Diesel Turbo
15	CN100258L	2	
	CN100208L	1	
16	NTC7224	1	)
17	SH104081L	2	) From VIN
18	WA104001L	2	) FA389460
19	NH104041L	2	)
20	NTC8263	1	) 200Tdi
21	FS106201L	1	) LHD
22	WA106041L	1	) From VIN
23	NY106041L	1	) HA455646
24	ADU8363L	1	)



Model DEFENDER 110 1987 onwards  
 Page AFFXRA2A

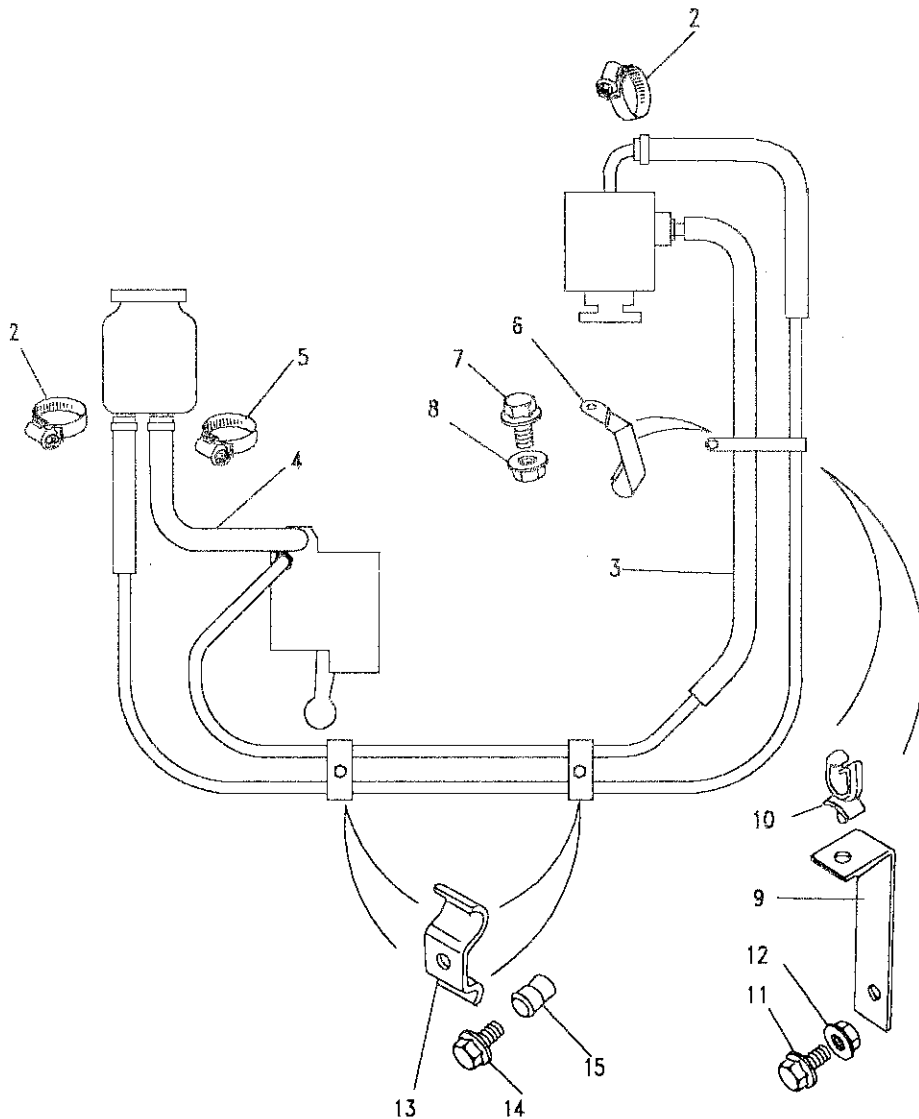
STEERING - POWER STEERING PIPES - FROM VIN JA918810

III. Part No. Description Qty Remarks

Right Hand Steering

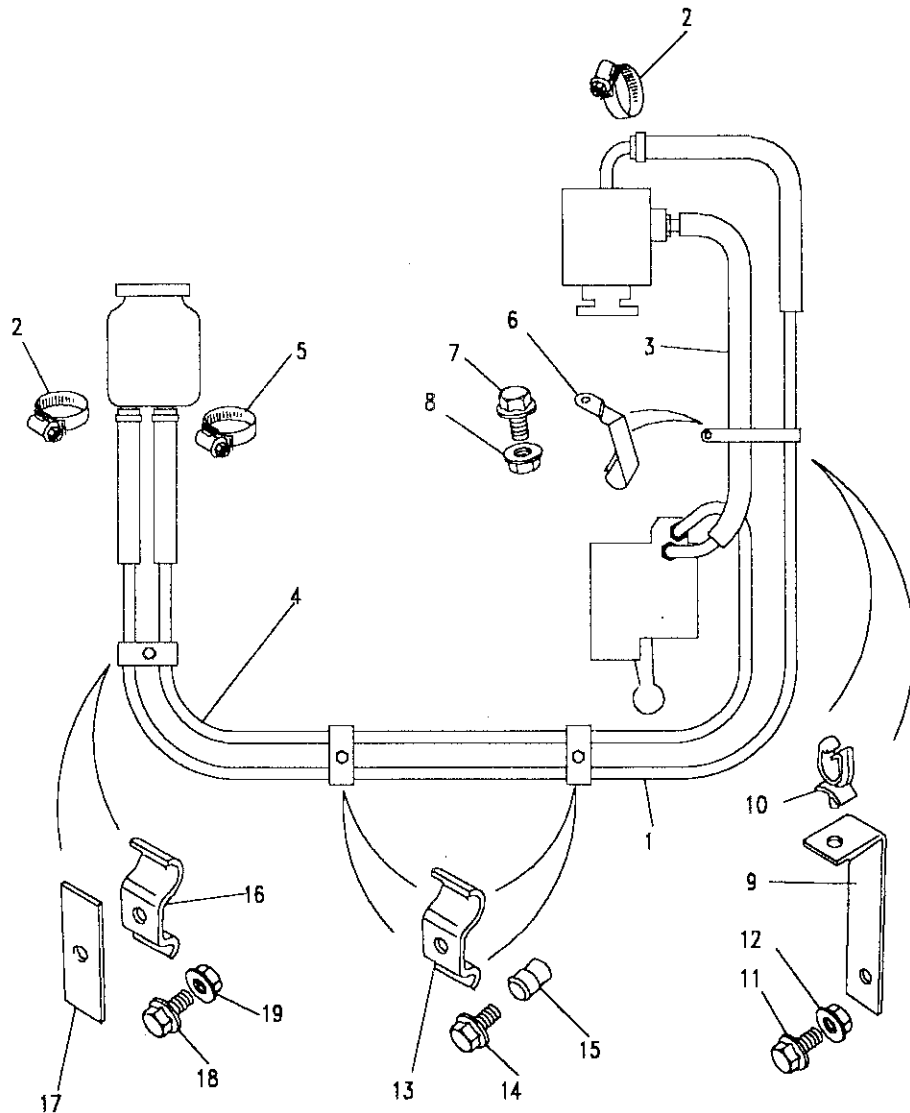
III. Part No.	Description	Qty	Remarks
1	NTC9073	1	4 Cyl Petrol
	NTC2595	1	V8
	NTC9073	1	NatAsp Diesel
	NTC9071	1	200Tdi Note(3)
	ANR2485	1	Tdi Note(4)
2	CN100258L	2	
3	NTC2597	1	V8 Note(1)
	ANR1969	1	V8 Note(2)
	NTC9072	1	Tdi Note(3)
	ANR2135	1	Tdi Note(4)
4	NTC8861	1	Note(3)
	ANR3598	1	Note(4)
5	CN100208L	1	
6	NTC3791	1	)4 Cyl Petrol
7	FS106167L	1	)and
8	FN106047L	1	)NatAsp Diesel
9	NTC8263	1	)
10	ADU8363L	1	)200Tdi
11	FS106167L	1	)
12	FN106047L	1	)
13	NRC6302	2	
14	FS106167L	2	
15	NN106021	2	

Note(1) Up to JA922879  
 Note(2) From JA922880  
 Note(3) Up to LA939975  
 Note(4) From MA939976



Model DEFENDER 110 1987 onwards  
 Page AFFXRA3A

STEERING - POWER STEERING PIPES - FROM VIN JA918810



III. Part No.	Description	Qty	Remarks
<b>Left Hand Steering</b>			
1	NTC9073	1	4 Cyl Petrol
	NTC2595	1	V8
	NTC9073	1	NatAsp Diesel
	NTC9071	1	Tdi Note(1)
	ANR2485	1	Tdi Note(2)
2	CN100258L	2	
3	NTC9704	1	4 Cyl Petrol
	NTC9099	1	V8
	NTC9704	1	NatAsp Diesel
	NTC9074	1	Tdi Note(1)
	ANR2136	1	Tdi Note(2)
4	NTC8860	1	Note(1)
	ANR2487	1	Note(2)
5	CN100208L	1	
6	NTC3791	1	)4 Cyl Petrol
7	FS106167L	1	)and
8	FN106047L	1	)NatAsp Diesel
9	NTC8263	1	)
10	ADU8363L	1	)200Tdi
11	FS106167L	1	)
12	FN106047L	1	)
13	NRC6302	2	Note(1)
	NTC9208	2	Note(2)
14	FS106167L	2	
15	NN106021	2	
16	NRC6302	1	
17	NRC8405	1	
18	FS106167L	1	
19	FN106047L	1	

Note(1) Up to LA939975  
 Note(2) From MA939976





## MASTER INDEX

	PAGES
INTRODUCTION PAGES	1 - 7
ALPHABETICAL INDEX	8 - 16
ENGINE	17 - 66
ENGINE	67 - 119
ENGINE	120 - 166
ENGINE	167 - 209
ENGINE	210 - 245
ENGINE	246 - 299
GEARBOX	300 - 326
GEARBOX	327 - 344
GEARBOX	345 - 359
TRANSFER BOX	360 - 378
TRANSFER BOX	379 - 397
AXLES AND SUSPENSION	398 - 444
STEERING	445 - 471
VEHICLE AND ENGINE CONTROLS	472 - 486
BRAKES	487 - 517
FUEL SYSTEM AND AIR CLEANER	518 - 579
EXHAUST SYSTEM	580 - 593
COOLING/HEATING	594 - 637
COOLING/HEATING	638 - 641
COOLING/HEATING	642 - 649
COOLING/HEATING	650 - 655
COOLING/HEATING	656 - 666
BODY ELECTRICAL	667 - 740
BODY AND CHASSIS	741 - 909
INTERIOR TRIM	910 - 955
SEATS	956 - 1036
STOWAGE	1037 - 1046
ACCESSORIES - PAINTS	1047 - 1074
NUMERICAL INDEX	1076 - 1151

## GROUP G

## VEHICLE AND ENGINE CONTROLS

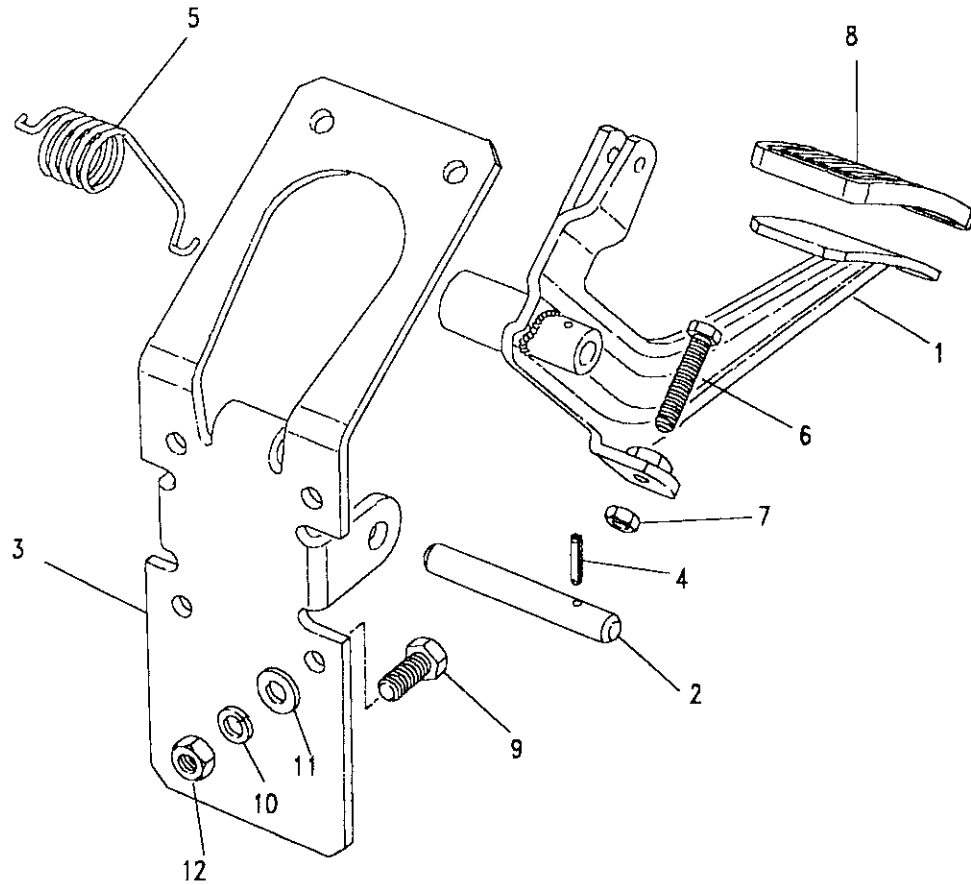
VEHICLE AND ENGINE CONTROLS	
ACCELERATOR PEDAL	473
ACCELERATOR CABLE	474 - 475
CLUTCH PEDAL	476 - 477
BRAKE PEDAL	478
CLUTCH MASTER CYLINDER AND PIPES	479 - 480
CHOKE CABLE	481
HAND THROTTLE CONTROL	482 - 483
HAND THROTTLE LINKAGE	484 - 486

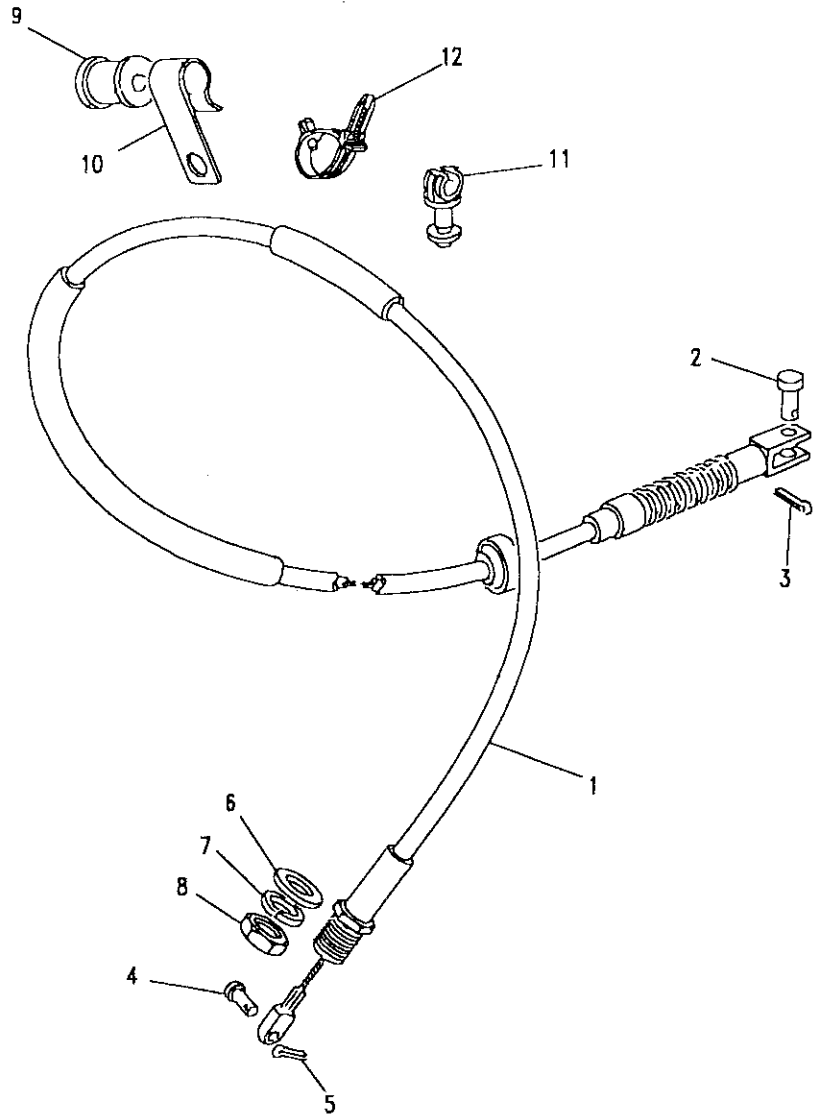


**Model** DEFENDER 110 1987 onwards  
**Page** AFGXAA1A

**ENGINE CONTROLS - ACCELERATOR PEDAL**

III. Part No.	Description	Qty	Remarks
1	NRC7827	1	Pedal accelerator
2	NRC4475	1	Shaft pedal
3	NRC5220	1	Bracket mounting
4	PA105161L	1	Pin spring
5	NRC9121	1	Spring
6	SH106451	1	Screw-pedal stop
7	NH605041L	1	Nut
8	11H1781L	1	Pad rubber
9	FS106161	6	Screw
10	WL106001L	6	Washer spring
11	WA106041L	6	Washer plain
12	NH106041L	6	Nut





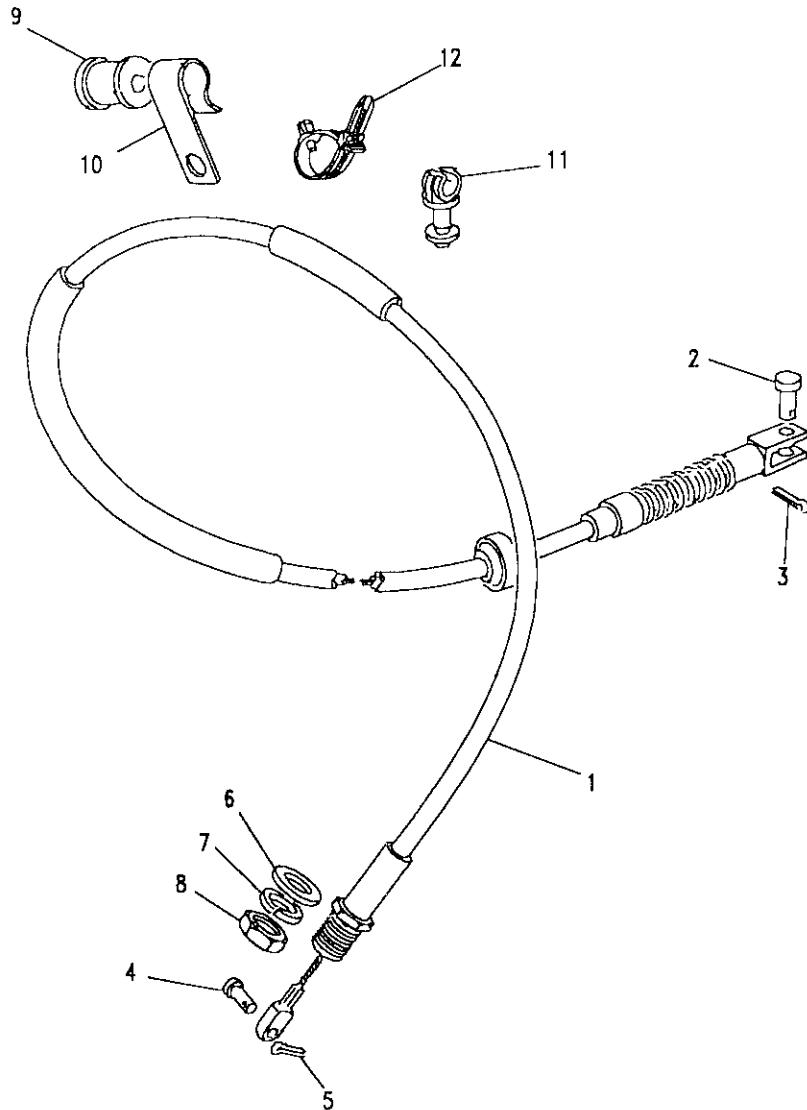
**Model** DEFENDER 110 1987 onwards  
**Page** AFGXAA2A

**ENGINE CONTROLS - ACCELERATOR CABLE**

Ill. Part No.	Description	Qty	Remarks
<b>2.5 Petrol</b>			
1 NTC2086	Cable accelerator RHS	1	Upto VIN 296335
NTC2087	Cable accelerator LHS	1	Upto VIN 296249
NTC3460	Cable accelerator RHS	1	From VIN 296336
NTC3459	Cable accelerator LHS	1	From VIN 296250
<b>V8 Petrol</b>			
1 NRC5494	Cable accelerator	1	
<b>Diesel and Diesel Turbo</b>			
1 NTC2743	Cable accelerator RHS	1	
NTC3396	Cable accelerator LHS	1	
<b>200Tdi</b>			
1 NTC4944	Cable accelerator RHS	1	Upto VIN JA915380
ANR1419	Cable accelerator RHS	1	Note(1)
NTC9360	Cable accelerator RHS	1	Note(3)
NTC4945	Cable accelerator LHS	1	Note(2)
NTC9359	Cable accelerator LHS	1	Note(3)

Note(1) From JA915381, up to LA939975  
 Note(2) From HA455646, up to LA939975  
 Note(3) From MA939976





Model DEFENDER 110 1987 onwards

Page AFGXAA2A

ENGINE CONTROLS - ACCELERATOR CABLE

Ill. Part No.	Description	Qty	Remarks
2 562481	Pin clevis	1	
3 PS103081L	Pin split	1	Upto VIN 455645
	PS603041L	1	From VIN HA455646
4 NRC5502	Pin clevis	1	
5 PS102081L	Pin split	1	
6 WA112081L	Washer plain	1	
7 WF112001L	Washer spring	1	
8 NT112041L	Nut	1	
9 6860L	Grommet	1	Upto VIN HA901219
10 240407	Clip-RHS	1	From VIN HA455646
	AFU1077L	1	Upto VIN HA901221
		1	4 cylinder Petrol
		1	From VIN HA901222
11 79121	Clip RHS	1	200Tdi
		1	From VIN HA901222
	79121	1	From VIN HA455646
12 AAU3686	Strap cable LHS	1	From VIN HA455646
	ESR301	1	200Tdi
		1	From VIN JA915381

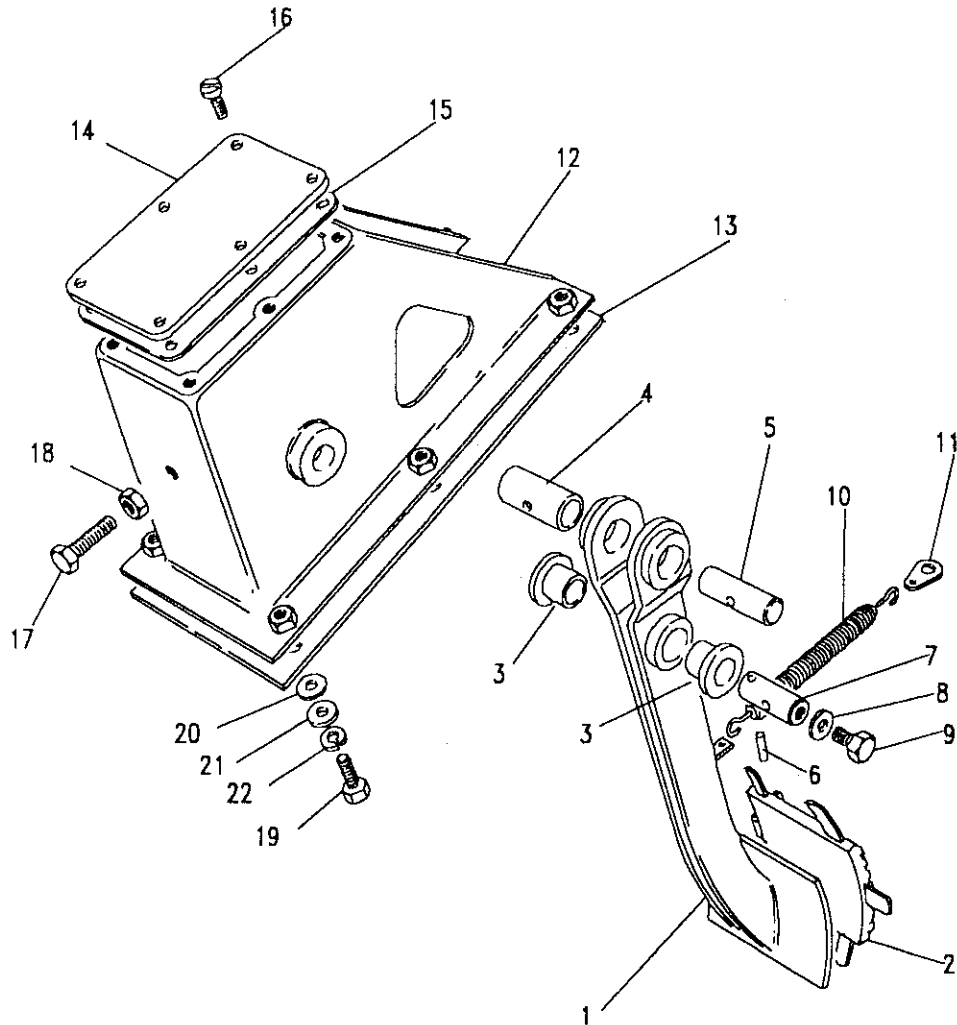
Model DEFENDER 110 1987 onwards  
 Page AFGXCA1A

ENGINE CONTROLS - CLUTCH PEDAL

III. Part No. Description Qty Remarks

Up to LA939891

III. Part No.	Description	Qty	Remarks
1	NTC1112	1	Pedal assembly clutch
2	61K738	1	Pad rubber
3	272714	2	Bush
4	269783	1	Bush
5	568883	1	Trunnion
6	50446	1	Pin
7	272712	1	Pin pivot
8	3052	1	Joint Washer
9	SH604031L	1	Bolt
10	569701	1	Spring
	NRC7869	1	Sleeve
11	240708	1	Plate anchor
12	272632	1	Pedal Box
13	MUC7505	1	Gasket
14	272713	1	Top Cover
15	272819	1	Screw
16	78227	6	Screw
17	SH604081L	1	Bolt-pedal stop
18	NH604041L	1	Nut
19	GG605081	6	Bolt
20	RTC610	5	Washer plain
21	4594L	1	Washer plain
22	WM600051L	6	Washer spring

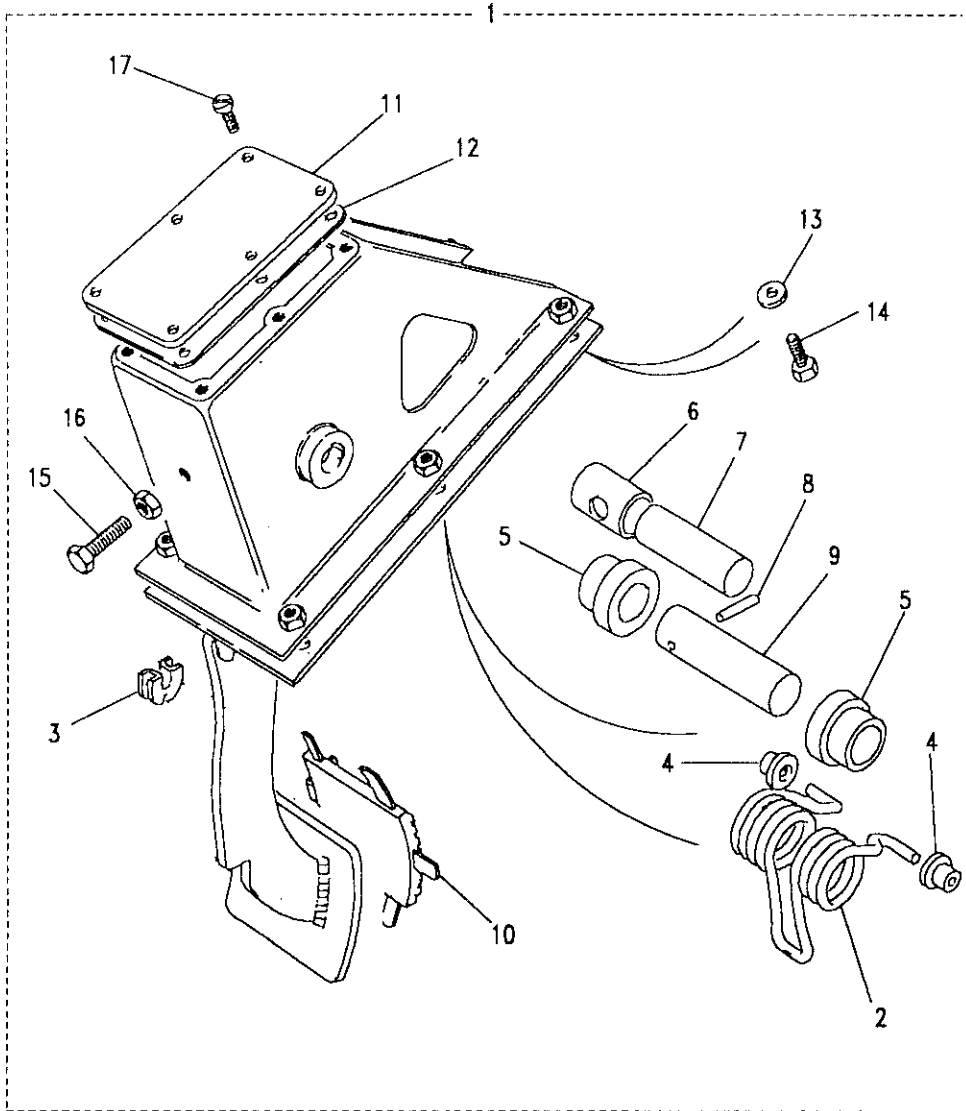




Model DEFENDER 110 1987 onwards  
Page AFGXCA1B

ENGINE CONTROLS - CLUTCH PEDAL

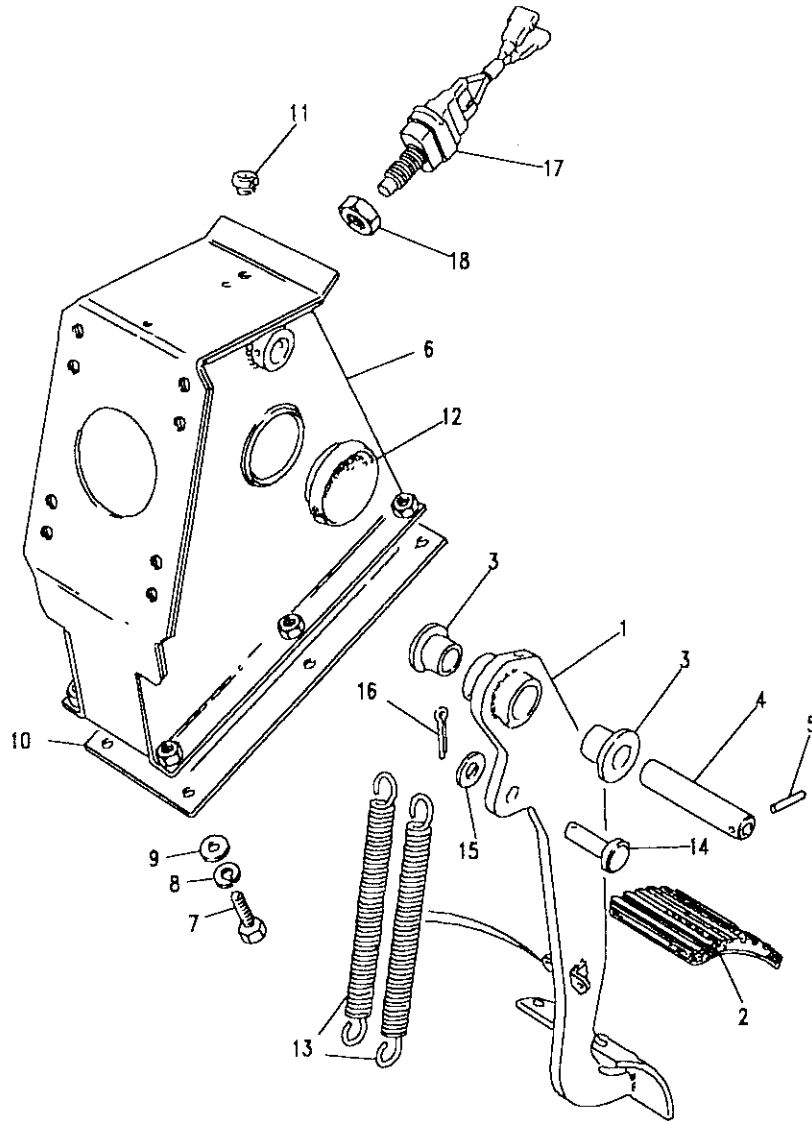
III. Part No.	Description	Qty	Remarks
<b>From LA939892</b>			
1	ANR3400	1	Pedal box assembly
2	EDP7510L	1	Spring torsion
3	CLP3180	1	Bearing
4	DCP3212L	2	Nylon bush
5	272714	2	Bush
6	269783	1	Distance piece
7	568883	1	Trunnion
8	50446	1	Pin
9	272712	1	Pin pivot
10	61K738	1	Pad rubber
11	272713	1	Top Cover
12	272819	1	Gasket
13	WA108051L	6	Washer
14	SH604081L	6	Screw 1/4 UNF
15	BH108061L	1	Bolt M8 30
16	NH604041L	1	Nut
16	NH604041L	1	Nut
17	78227	6	Screw





Model DEFENDER 110 1987 onwards  
Page AFGXCA2A

## ENGINE CONTROLS - BRAKE PEDAL



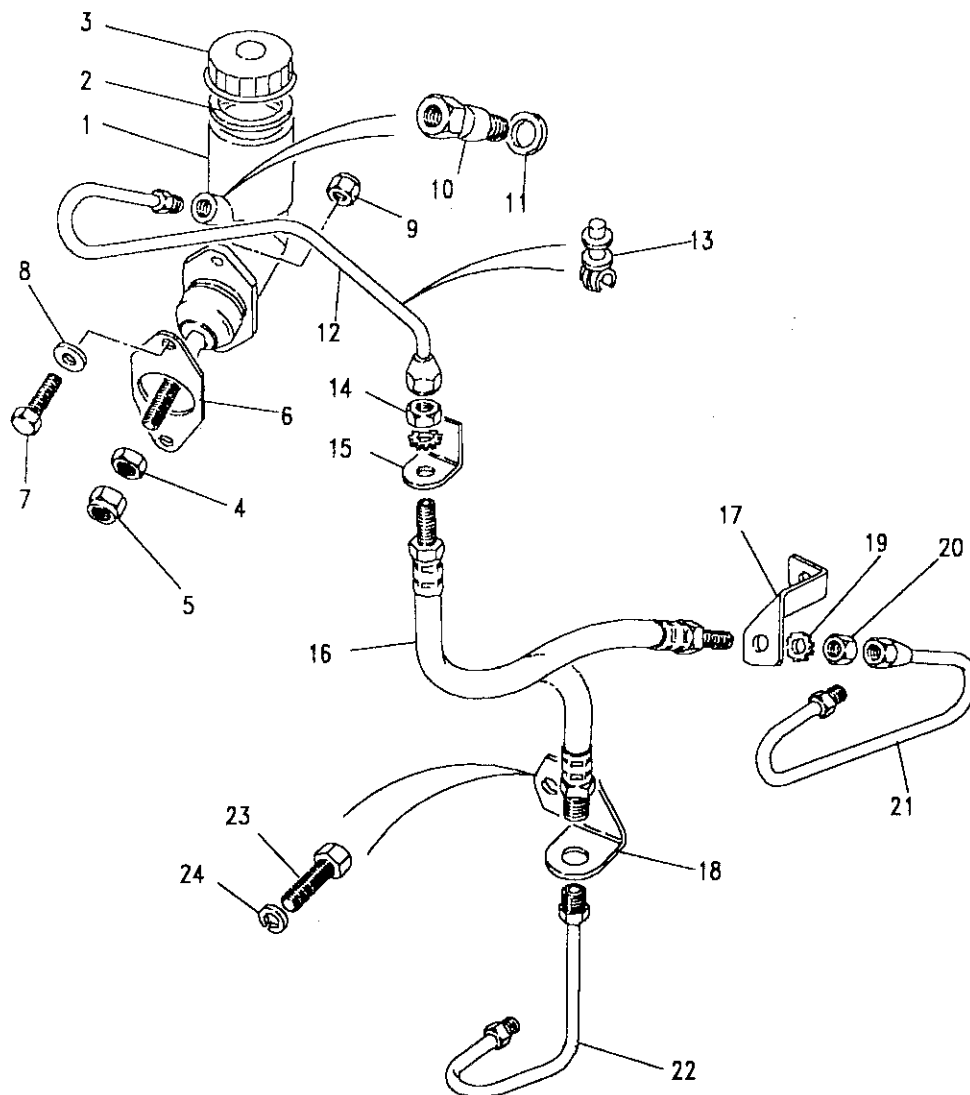
Ill. Part No.	Description	Qty	Remarks
1	NTC1210	1	Pedal assembly brake
2	61K738	1	Pad rubber
3	564816	2	Bush brake pedal
4	564813	1	Shaft pedal
5	50446	1	Pin
6	NRC6058	1	Pedal Box
	NTC7933	1	Pedal Box
7	GG108251L	6	Screw
8	WL108001L	6	Washer spring
9	WA108051L	6	Washer plain
10	MUC7506	1	Gasket
11	338013	1	Plug Sealing
12	AFU2627	2	Plug Sealing
13	569291	2	Spring
	NRC7869	1	Sleeve
14	NRC4665	1	Pin clevis
	PC112291	1	Pin clevis
15	WA112081L	1	Washer plain
16	PS106201	1	Pin split
17	PRC4297	1	Switch brake light
18	BMK1903	1	Nut
	NRC9169	1	Strip sealing
	NRC9233	1	Sealing ring
	NTC5017	1	Sealing strip
			Upto VIN HA901219
			From VIN HA901220



Model DEFENDER 110 1987 onwards

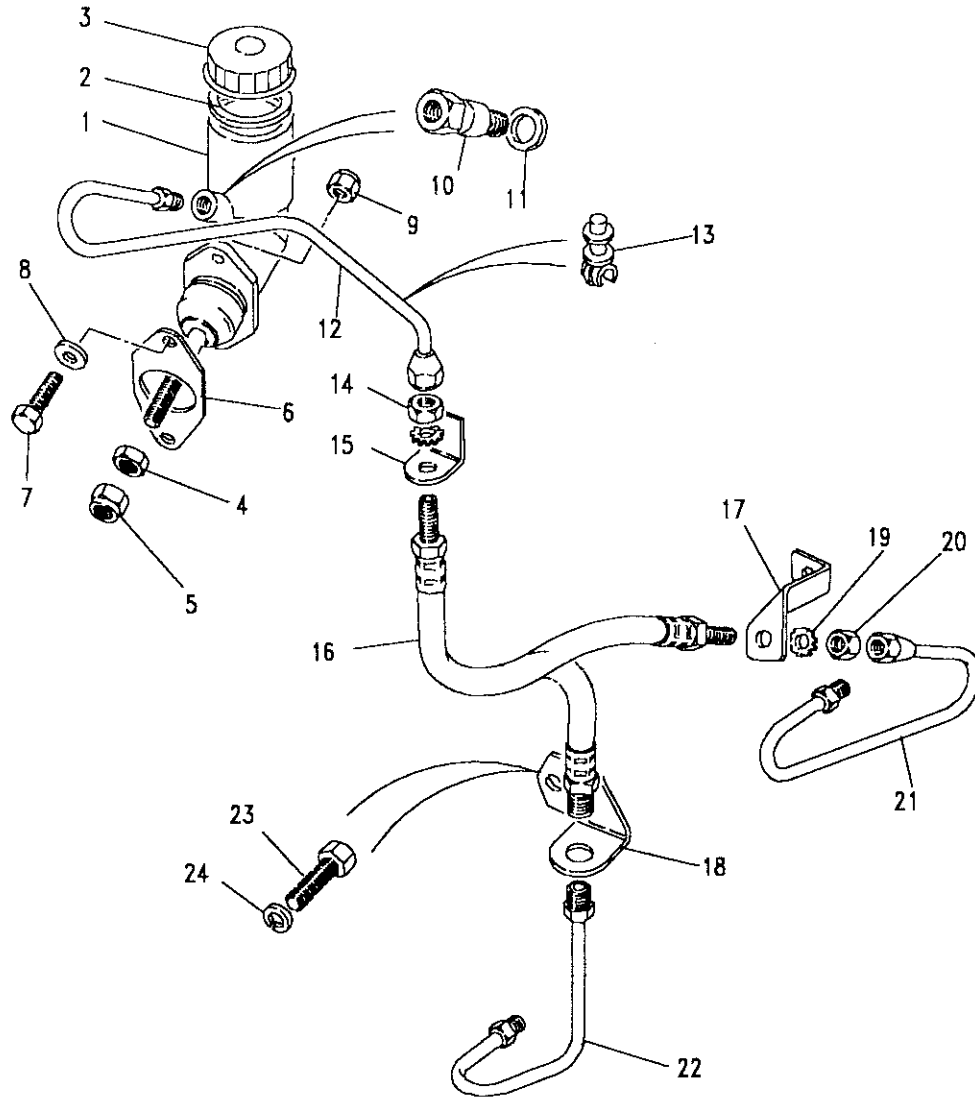
Page AFGXE1A

## ENGINE CONTROLS - CLUTCH MASTER CYLINDER AND PIPES



III. Part No.	Description	Qty	Remarks
1	550732	1	Master cylinder clutch
2	264767	1	Washer sealing
3	500201	1	Cap aluminium
	STC976	1	Cap plastic
	8G8837L	1	Kit master cylinder
4	NT605041L	2	Nut thin
5	NY605041L	1	Nut nyloc
6	592358	1	Gasket
7	FB108301L	2	Screw
8	WA108051L	4	Washer plain
9	NY108041L	2	Nut nyloc
10	139082	1	Adaptor
11	233220	1	Gasket
12	NRC8330	1	Pipe assembly RHS
	ANR2162	1	Pipe assembly RHS
	NRC8329	1	Pipe assembly RHS
	ANR2945	1	Pipe assembly LHS
13	79123	2	Pipe Clip
14	NT607041L	2	Nut
	NT604041L	1	Nut
15	WF600071L	2	Washer shakeproof
	WE600071L	1	Washer shakeproof





Model DEFENDER 110 1987 onwards

Page AFGXEA1A

ENGINE CONTROLS - CLUTCH MASTER CYLINDER AND PIPES

III. Part No.	Description	Qty	Remarks
16 RTC4425	Hose clutch	1	4 cylinder
NRC2211	Hose clutch	1	V8
NRC7139	Hose clutch	1	Tdi Note(1)
NTC9055	Hose clutch	1	Tdi Note(2)
17 NRC7441	Bracket support	1	4 cylinder
18 90577642	Bracket support	1	)
19 WE600101L	Washer shakeproof	1	)V8
20 2K8686L	Nut	1	)
21 NRC9595	Pipe assembly	1	4 cylinder
22 577643	Pipe assembly	1	V8
23 BH506161L	Bolt	2	
24 WM600061L	Washer spring	2	

Note(1) Up to LA939975  
 Note(2) From MA939976

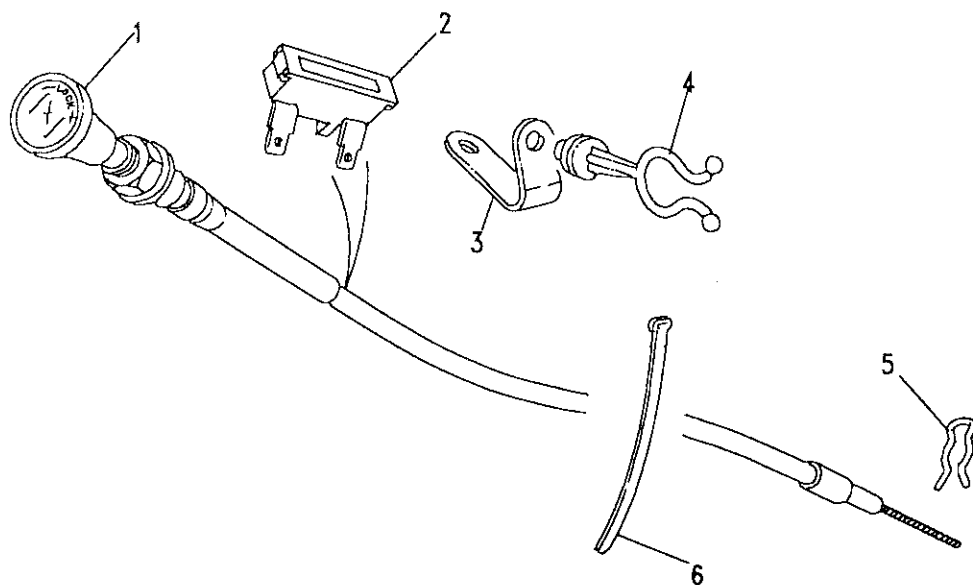


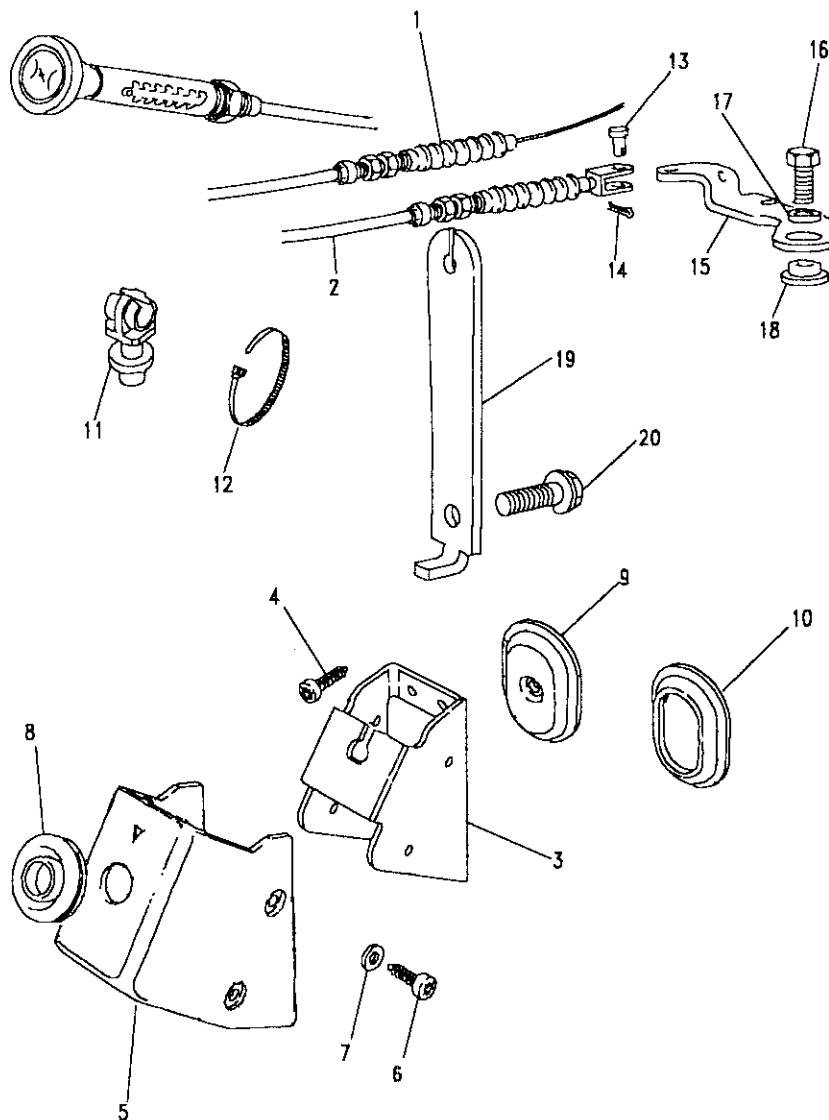
**Model** DEFENDER 110 1987 onwards

**Page** AFGXGA1A

**ENGINE CONTROLS - CHOKE CABLE**

III. Part No.	Description	Qty	Remarks
1 NTC1384	Cable choke	1	RHS 4 Cyl
NTC1385	Cable choke	1	LHS 4 Cyl
NTC3932	Cable choke	1	RHS V8
NTC3933	Cable choke	1	LHS V8
2 RTC5816	Switch choke	1	
3 NRC8333	Bracket	1	
4 NRC8332	Cable clip	1	
5 538890L	Cable clip	1	V8
6 594594	Cable tie	1	V8





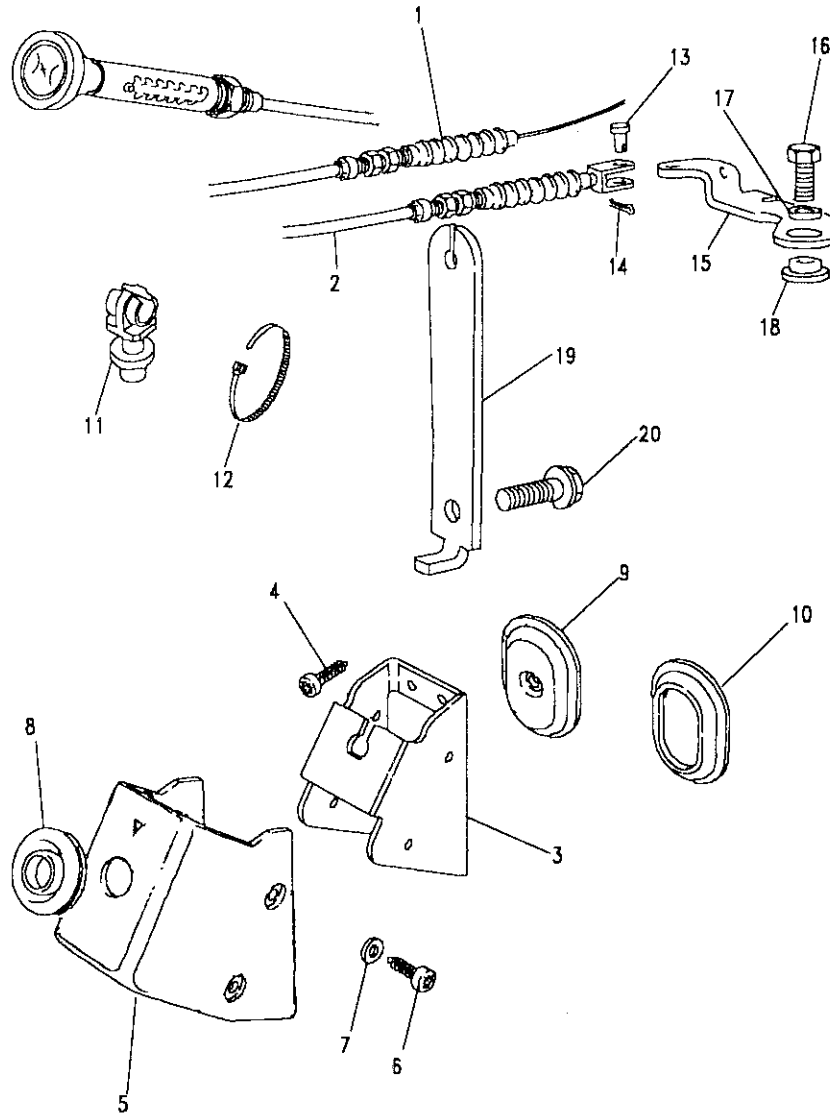
Model DEFENDER 110 1987 onwards

Page AFGXIA1A

ENGINE CONTROLS - HAND THROTTLE CONTROL

III. Part No.	Description	Qty	Remarks
<b>4 Cylinder Petrol</b>			
1 NRC8560	Cable hand throttle	1	
<b>V8</b>			
1 NRC9284	Cable hand throttle	1	RHS
1 NRC9285	Cable hand throttle	1	LHS
<b>Diesel</b>			
2 NTC3484	Cable hand throttle	1	RHS Upto VIN 456346
2 NTC3483	Cable hand throttle	1	LHS Upto VIN 456346
2 NTC8554	Cable hand throttle	1	RHS Note(1)
2 ANR1338	Cable hand throttle	1	RHS Note(2)
2 NTC8553	Cable hand throttle	1	LHS Note(1)
2 ANR1339	Cable hand throttle	1	LHS Note(2)
3 NRC8734	Bracket mounting	1	
4 AB610041L	Screw	4	
5 MTC3611	Cover	1	
6 AB608031L	Screw	2	
7 WC105001L	Washer plain	2	
8 531689	Grommet	1	
9 NRC6799	Grommet	1	
10 MTC1650	Plug blanking	1	
11 79121	Clip cable	1	V8-LHS
12 UKC6684L	Cable tie	1	
13 562481	Pin clevis	1	Diesel
14 PS102081	Pin split	1	Diesel Upto VIN 456346

Note(1) From 456347, Up to LA939975  
 Note(2) From MA939976



Model DEFENDER 110 1987 onwards  
 Page AFGXIA1A

ENGINE CONTROLS - HAND THROTTLE CONTROL

III. Part No.	Description	Qty	Remarks
<b>Diesel from VIN 456347 also 200Tdi</b>			
14	PS603041L Pin splitt	1	
15	NTC8011 Lever	1	
16	FS106161 Screw	1	
17	WC106041L Washer plain 3900L	1	Upto 11L00029A
18	NTC7240 NTC8544 Bush	1	From 11I00030A
19	NTC7097 ANR2512 Bracket abutment	1	Upto 11L00029A
20	FS108251L Screw	1	From 11L00030A



Model DEFENDER 110 1987 onwards

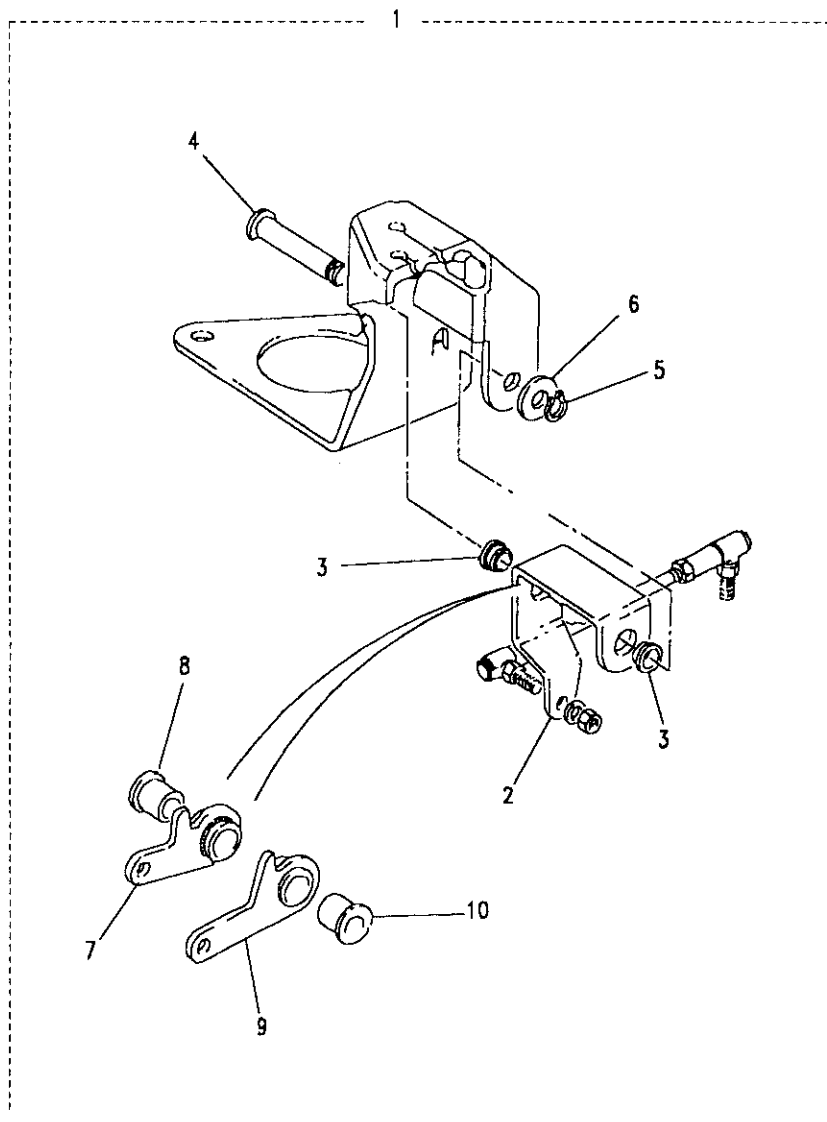
Page AFGXIA2A

ENGINE CONTROLS - HAND THROTTLE LINKAGE

III. Part No. Description Qty Remarks

Diesel and Diesel Turbo - Not 200Tdi

Part No.	Description	Qty	Remarks
1	ETC6630	1	Hand throttle control
2	ETC4678	1	Lever relay
3	613915	2	Bush
4	ETC4686	1	Pin: pivot
5	CR120081L	1	Circlip
6	WA108051L	1	Washer plain
7	ETC5182	1	Lever throttle assembly
8	522932	1	Bush
9	ETC5183	1	Lever hand throttle
10	522932	1	Bush



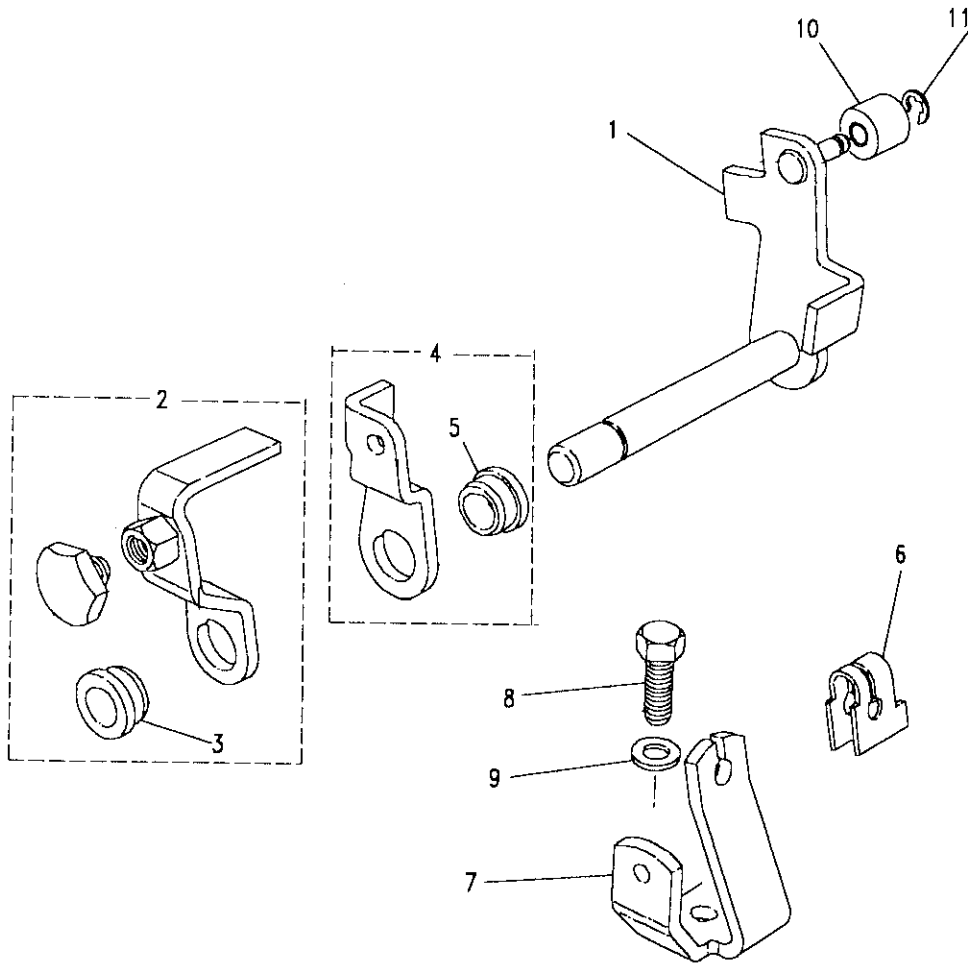


Model DEFENDER 110 1987 onwards

Page AFGXIA3A

ENGINE CONTROLS - HAND THROTTLE LINKAGE

III. Part No.	Description	Qty	Remarks
<b>V8 with SU Carburettors</b>			
1 613910	Countershaft	1	
2 613916	Lever hand throttle	1	
3 613915	Bush	1	
4 90613913	Lever accelerator	1	
5 613915	Bush	1	
6 239673	Clip	1	
7 ETC7393	Bracket anchor	1	
8 SH504051L	Screw	1	
9 WA106041L	Washer plain	1	
10 603237	Roller	1	
11 521452	Circlip	1	





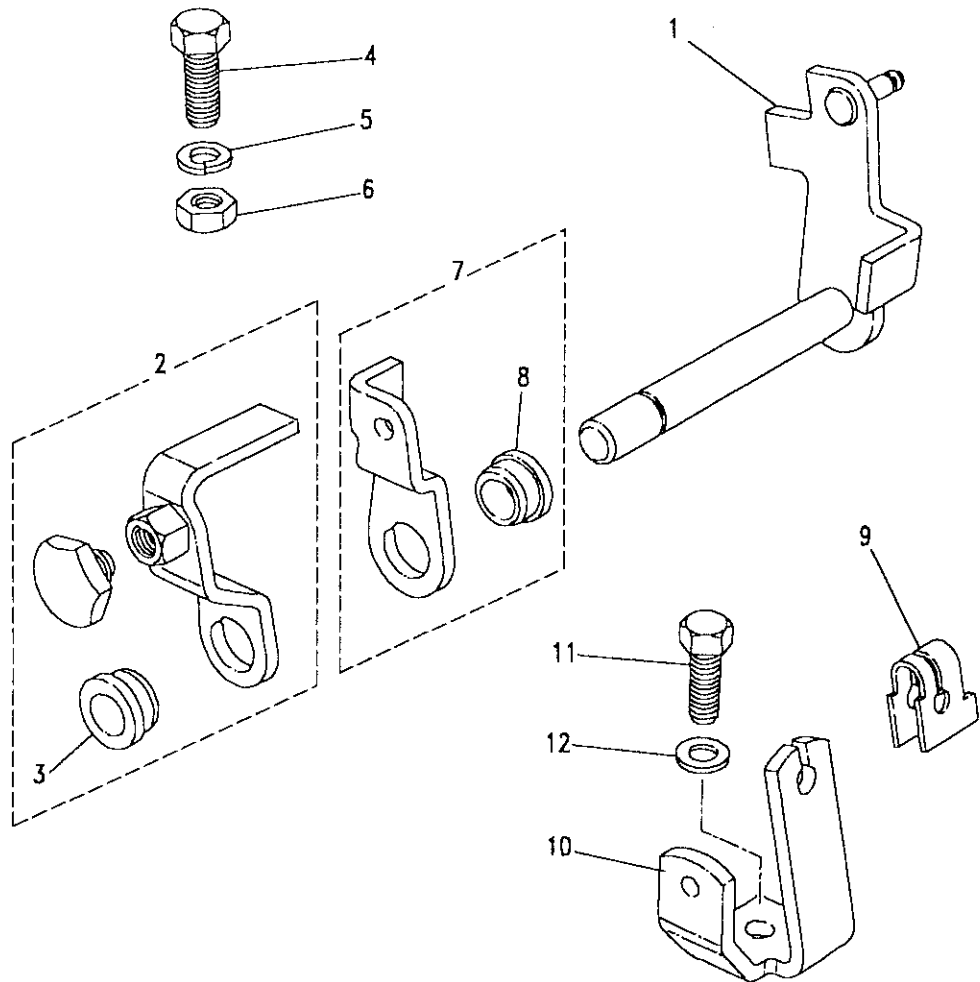
Model DEFENDER 110 1987 onwards  
 Page AFGXIA4A

ENGINE CONTROLS - HAND THROTTLE LINKAGE

III. Part No. Description Qty Remarks

V8 With Stromberg Carburettors

Part No.	Description	Qty	Remarks
1	613910 Countershaft	1	
2	613916 Lever hand throttle	1	
3	613915 Bush	1	
4	SH105201L Screw	1	
5	WL105001L Washer spring	1	
6	NH105041L Nut	1	
7	90613913 Lever accelerator	1	
8	613915 Bush	1	
9	239673 Clip	1	
10	ETC4006 Bracket anchor	1	
11	SH504051L Screw	1	
12	WA106041L Washer plain	1	





## MASTER INDEX

	PAGES
INTRODUCTION PAGES	1 - 7
ALPHABETICAL INDEX	8 - 16
ENGINE	17 - 66
ENGINE	67 - 119
ENGINE	120 - 166
ENGINE	167 - 209
ENGINE	210 - 245
ENGINE	246 - 299
GEARBOX	300 - 326
GEARBOX	327 - 344
GEARBOX	345 - 359
TRANSFER BOX	360 - 378
TRANSFER BOX	379 - 397
AXLES AND SUSPENSION	398 - 444
STEERING	445 - 471
VEHICLE AND ENGINE CONTROLS	472 - 486
BRAKES	487 - 517
FUEL SYSTEM AND AIR CLEANER	518 - 579
EXHAUST SYSTEM	580 - 593
COOLING/HEATING	594 - 637
COOLING/HEATING	638 - 641
COOLING/HEATING	642 - 649
COOLING/HEATING	650 - 655
COOLING/HEATING	656 - 666
BODY ELECTRICAL	667 - 740
BODY AND CHASSIS	741 - 909
INTERIOR TRIM	910 - 955
SEATS	956 - 1036
STOWAGE	1037 - 1046
ACCESSORIES - PAINTS	1047 - 1074
NUMERICAL INDEX	1076 - 1151

## GROUP H

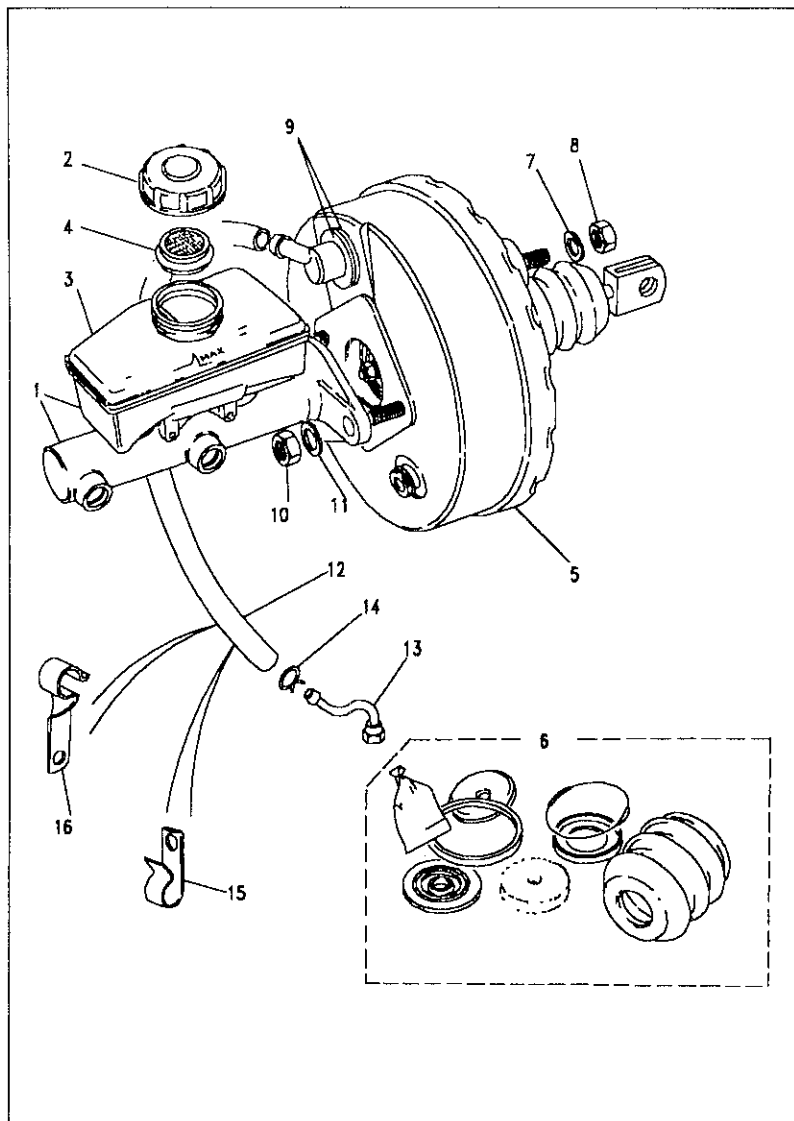
## BRAKES

## BRAKES

BRAKE MASTER CYLINDER & SERVO - UP TO HA901219	488 - 489
BRAKE MASTER CYLINDER AND SERVO - FROM HA901220	490
VACUUM HOSES - AIR CONDITIONING - UPTO 279962	491
VACUUM HOSES - AIR CONDITIONING - FROM 279963	492
FRONT BRAKE PIPES	493 - 494
FRONT BRAKE PIPES RHD	495
FRONT BRAKE PIPES LHD	496
FRONT BRAKE PIPES RHD	497
FRONT BRAKE PIPES LHD	498
FRONT BRAKE PIPES	499 - 501
REAR BRAKE PIPES	502 - 506
FRONT BRAKES	507 - 508
REAR DRUM BRAKES	509
REAR DISC BRAKES	510
HANDBRAKE LEVER	511 - 513
HANDBRAKE LEVER - AUSTRALIA	514
HANDBRAKE CABLE	515 - 517







**Model** DEFENDER 110 1987 onwards  
**Page** AFHXAA1A

**BRAKES - BRAKE MASTER CYLINDER & SERVO - UP TO HA901219**

III. Part No.	Description	Qty	Remarks
1	NRC8690	1	Master cylinder brake
2	RTC4428	1	Cap master cylinder
3	AEU1045	1	Kit fluid reservoir
	AEU1044	2	Pin
	AEU3015	1	Kit master cylinder
4	592324	1	Filter
	AEU1891	1	Seal
5	NRC4775	1	Servo assembly
	NRC4772	1	Servo assembly
6	18G8951L	1	Kit servo repair
	AEU2741	1	Kit servo repair
		1	Type 80
7	WL108001L	4	Washer spring
8	FN108041L	4	Nut
9	18G8953L	1	Valve non return
10	NH110041L	2	Nut
11	WL110001L	2	Washer spring

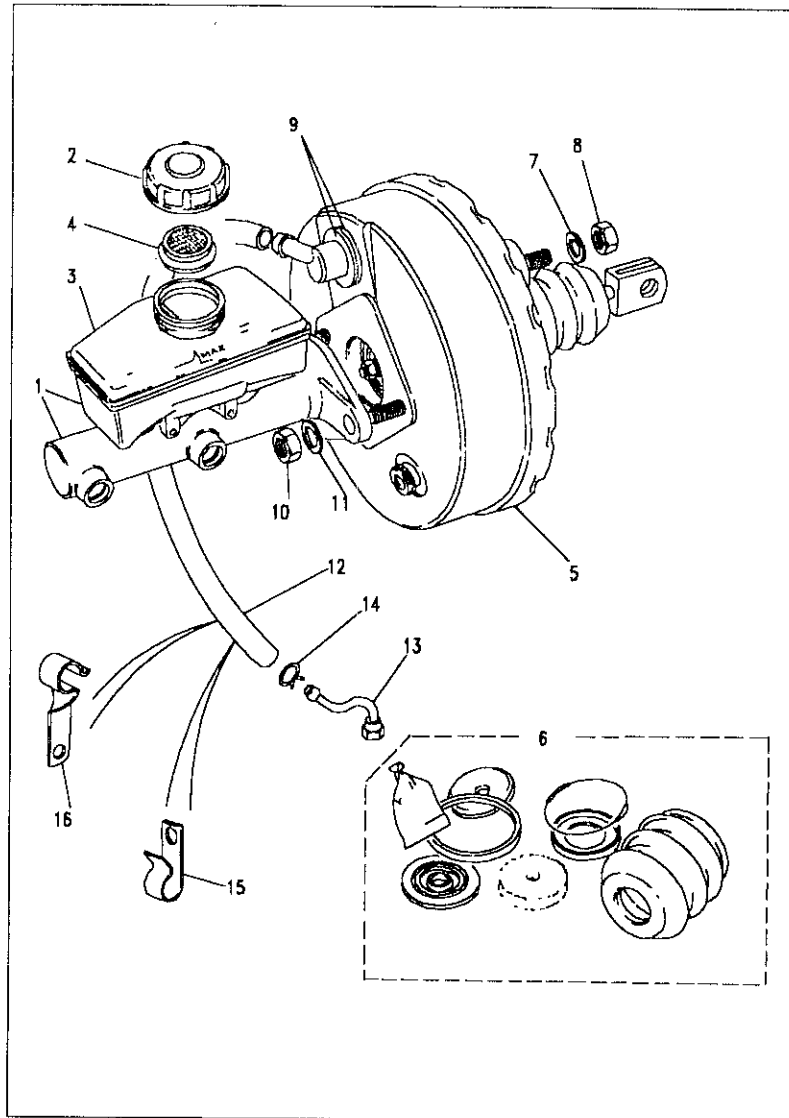
Note(1) Type 50 - 227mm diameter, non return valve aperture at bottom, right of centre.

Note(2) Type 80 - 276mm diameter, non return valve aperture at top, left of centre.



Model DEFENDER 110 1987 onwards  
 Page AFHXAA1A

**BRAKES - BRAKE MASTER CYLINDER & SERVO - UP TO HA901219**



III. Part No.	Description	Qty	Remarks
12 CRC2131	Vacuum Hose	1	
NTC3372	Vacuum Hose	1	Diesel turbo LHS
NTC3372	Vacuum Hose	1	200Tdi LHS
CRC2135	Vacuum Hose	1	V8 RHS
13 569714	Adaptor pipe	1	4 cyl Petrol
14 572548	Clamp hose	2	
CS600244L	Clamp hose	2	Diesel turbo LHS
568680	Cable Tie	3	Diesel turbo LHS
CS600244L	Clamp hose	2	200Tdi LHS
568680	Cable Tie	3	200Tdi LHS
15 240407	Clip hose	1	4 cyl Petrol
CS600244L	Clamp hose	2	Diesel turbo LHS
568680	Cable Tie	3	Diesel turbo LHS
16 614617	Clip hose	1	V8
NRC9338	Clip hose	1	Diesel turbo LHS
NRC9338	Clip hose	1	200Tdi LHS



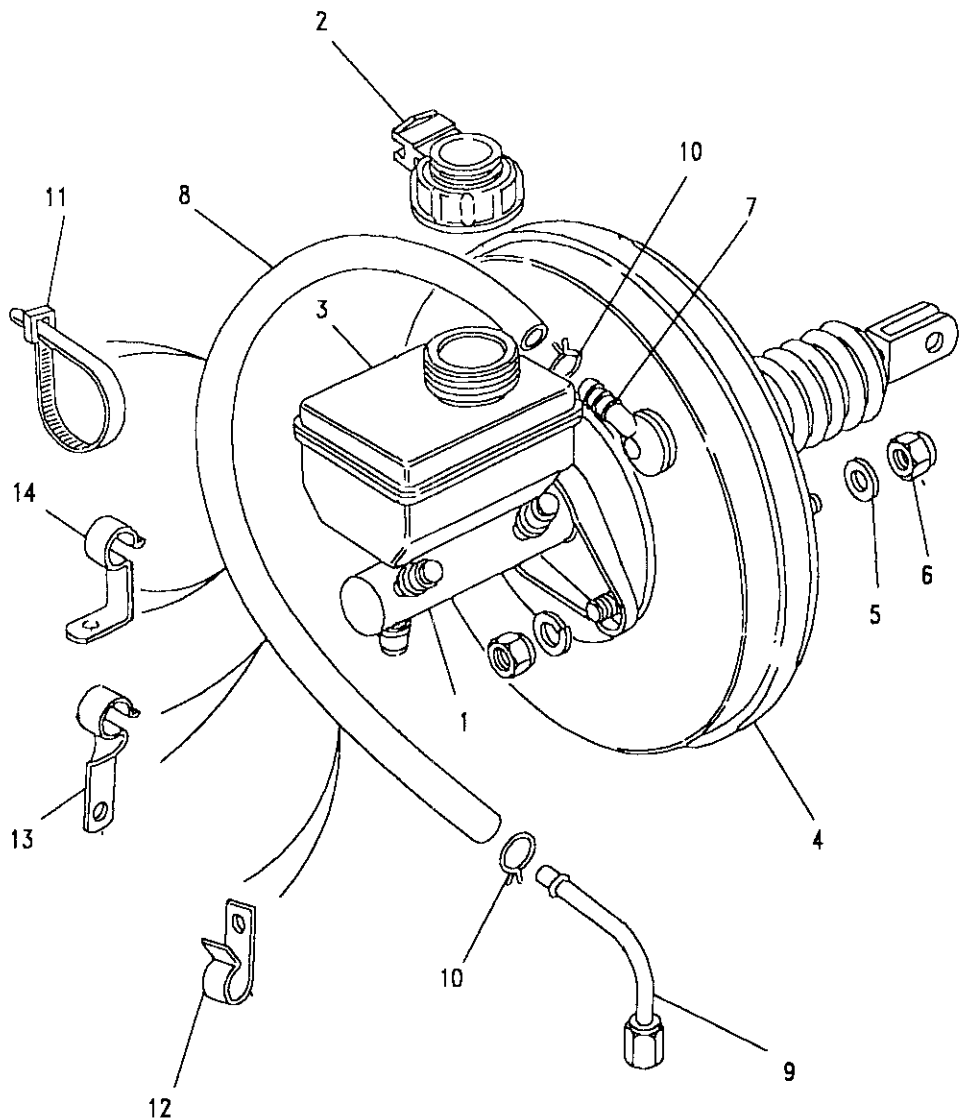


**Model** DEFENDER 110 1987 onwards  
**Page** AFHXAA2A

**BRAKES - BRAKE MASTER CYLINDER AND SERVO - FROM HA901220**

Ill. Part No.	Description	Qty	Remarks
1	STC441 Master cylinder brake	1	
2	NTC4414 Cap master cylinder	1	
3	STC492 Kit fluid reservoir	1	
	STC491 Kit master cylinder	1	
4	STC442 Servo assembly	1	Note(1)
5	WA108051L Washer plain	4	
6	NY108041L Nut nyloc	4	
7	STC493 Valve non return	1	
8	CRC2131 Vacuum Hose	1	
	NTC3372 Vacuum Hose LHD	1	Tdi-Note(1)
	ANR2784 Hose vacuum LHD	1	Tdi )
	ANR2783 Hose vacuum RHD	1	Tdi )Note(2)
	CRC2135 Vacuum Hose	1	V8-RHS
9	569714 Adaptor pipe	1	4 cyl Petrol
10	572548 Clamp hose	2	
	CS600244L Clamp hose	2	)200 Tdi
11	568680 Cable Tie	3	)LHS only
12	240407 Clip hose	1	4 cyl Petrol
13	614617 Clip hose	1	V8
14	NRC9338 Clip hose	1	200 Tdi-LHS

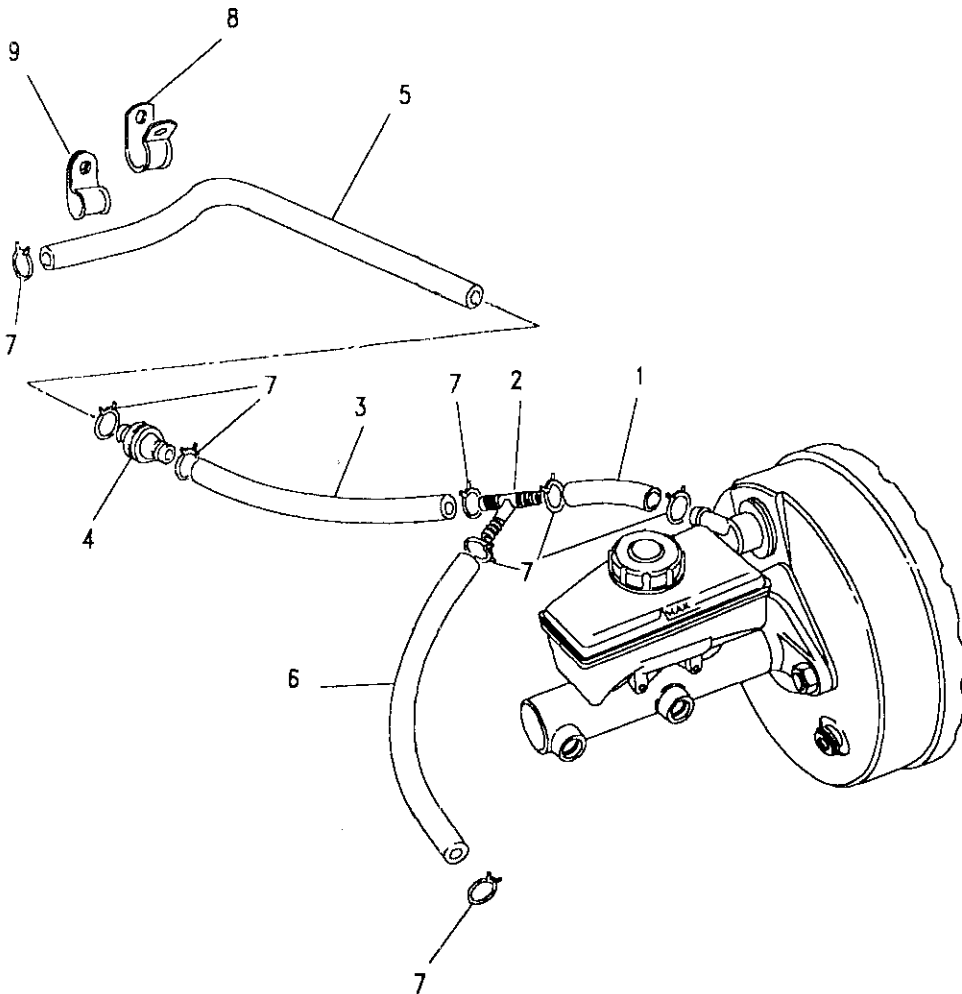
Note(1) Up to LA939975  
 Note(2) From MA939976  
 Note(3) There is no repair kit for the servo assembly

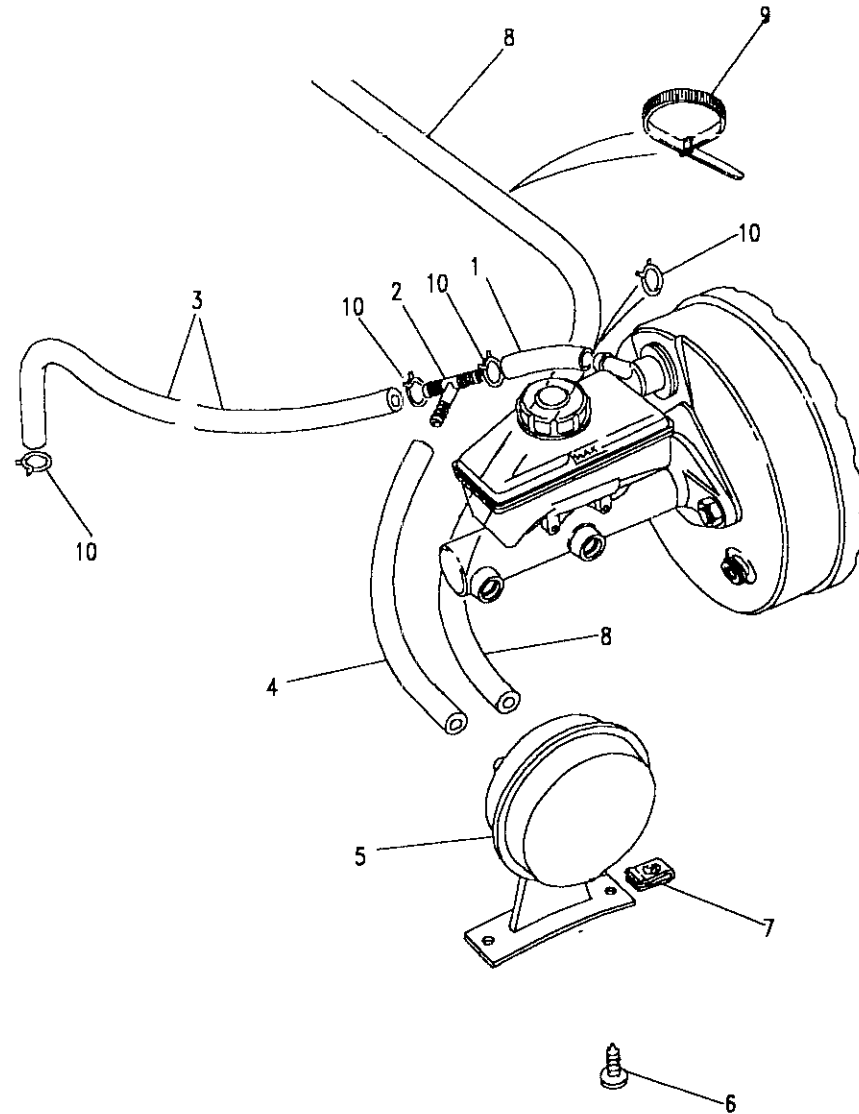


Model DEFENDER 110 1987 onwards  
 Page AFHXAA3A

**BRAKES - VACUUM HOSES - AIR CONDITIONING - UPTO 279962**

III. Part No.	Description	Qty	Remarks
1 NRC8349	Vacuum hose	1	Petrol
CRC2131	Vacuum hose	1	Diesel
CRC2135	Vacuum hose	1	Diesel turbo
2 592443	Tee piece	1	
3 NRC8629	Vacuum hose	1	Petrol
CRC2134	Vacuum hose	1	Diesel
CRC2131	Hose vacuum	1	Diesel turbo
4 NRC8593	Valve one way	1	
5 NRC8352	Vacuum hose	1	Petrol
CRC2131	Vacuum hose	1	Diesel
CRC2131	Vacuum hose	1	Diesel turbo
6 CRC2133	Vacuum hose (to engine)	1	4 cyl Petrol
NRC8352	Vacuum hose (to engine)	1	V8
CRC2144	Vacuum hose (to pump)	1	Diesel
CRC2131	Vacuum hose (to pump)	1	Diesel turbo
7 CS600244L	Clamp hose	8	
8 CP105121L	Clip	1	Petrol
9 56667	Clip	1	Diesel





Model DEFENDER 110 1987 onwards  
 Page AFHXAA4A

**BRAKES - VACUUM HOSES - AIR CONDITIONING - FROM 279963**

III. Part No.	Description	Qty	Remarks
1 NRC8349	Vacuum hose	1	LHD
CRC2131	Vacuum hose	1	RHD
2 MUC4865	Tee piece	1	
3 CRC2131	Vacuum hose (to engine)	1	4 cyl Petrol
NRC8352	Vacuum hose (to engine)	1	V8 RHD
CRC2131	Vacuum hose (to engine)	1	V8LHD
CRC2131	Vacuum hose (to pump)	1	Diesel
NTC3372	Vacuum hose (to pump)	1	Diesel turbo LHD
NTC3372	Vacuum hose (to pump)	1	200Tdi LHD
NTC8592	Vacuum hose (to pump)LHD	1	Up to HA901219 200Tdi From HA901220
4 MUC4866	Vacuum hose	1	
5 MUC1679	Vacuum tank	1	
6 AB606041L	Screw	2	
7 AK612011L	Nut spire	2	
8 MWC4854	Vacuum hose	1	
9 568680	Cable Tie	3	
10 CS600244L	Clamp hose	4	

Model DEFENDER 110 1987 onwards

Page AFHXCA1A

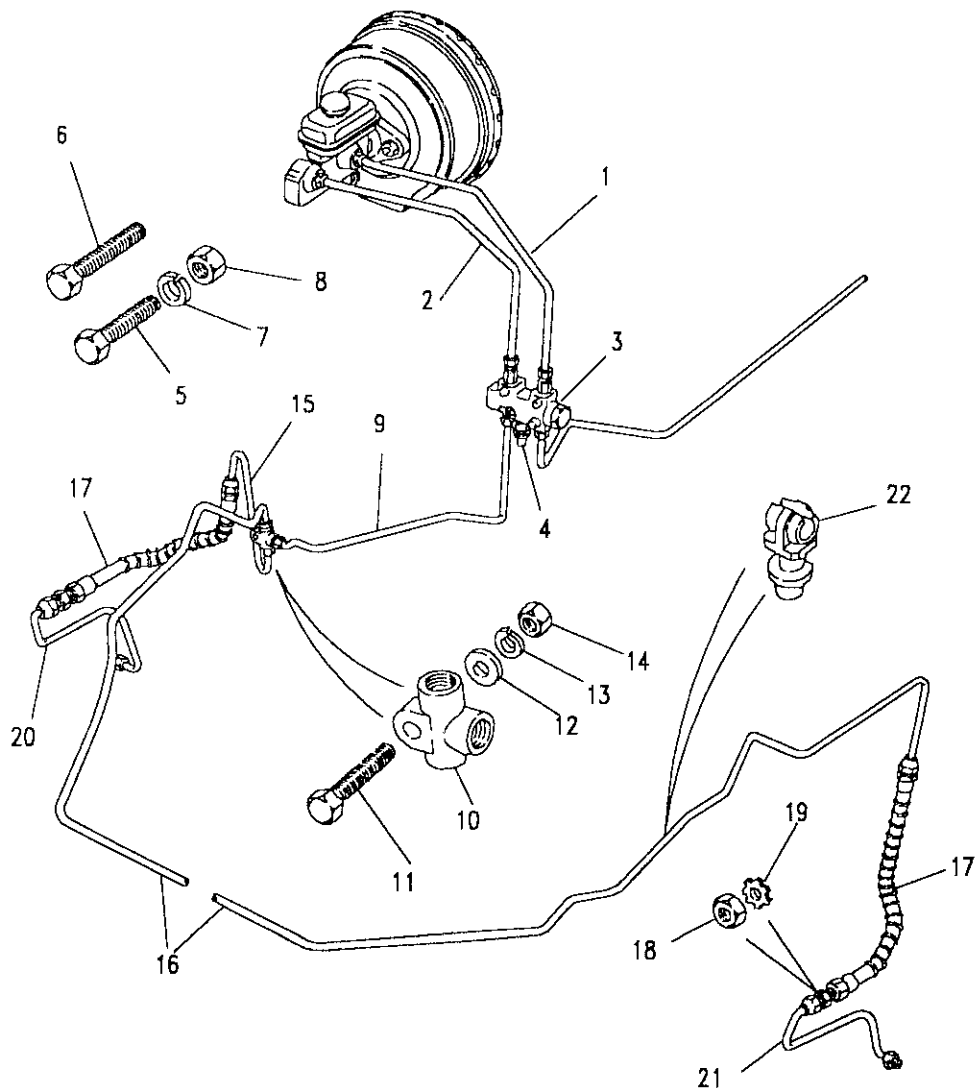
**BRAKES - FRONT BRAKE PIPES**

III. Part No. Description Qty Remarks

Vehicles with front disc and rear drum brakes

Upto VIN HA901219

1	NRC7901	Pipe brake primary	1	RHS
	NRC7902	Pipe brake primary	1	LHS
2	NRC7903	Pipe brake secondary	1	RHS
	NRC7904	Pipe brake secondary	1	LHS
3	NRC7871	Valve PDWA	1	Note(1)
	NRC6515	Valve PDWA/PCR	1	Note(2)
4	AAU1700	Switch	1	
5	BH106091L	Bolt	1	
6	BH106111L	Bolt	1	
7	WL106001L	Washer spring	1	
8	NH106041L	Nut	1	
9	NRC9731	Pipe brake	1	
10	NRC4251	Tee piece	1	
11	BH106061L	Bolt	1	
12	WC106041L	Washer plain	1	
13	WL106001L	Washer spring	1	
14	NH106041L	Nut	1	
15	NRC8721	Pipe brake RH	1	
16	NRC7801	Pipe brake LH	1	
17	NRC7874	Hose brake	2	
18	CRC1487	Nut	4	
19	WF110001L	Washer shakeproof	4	



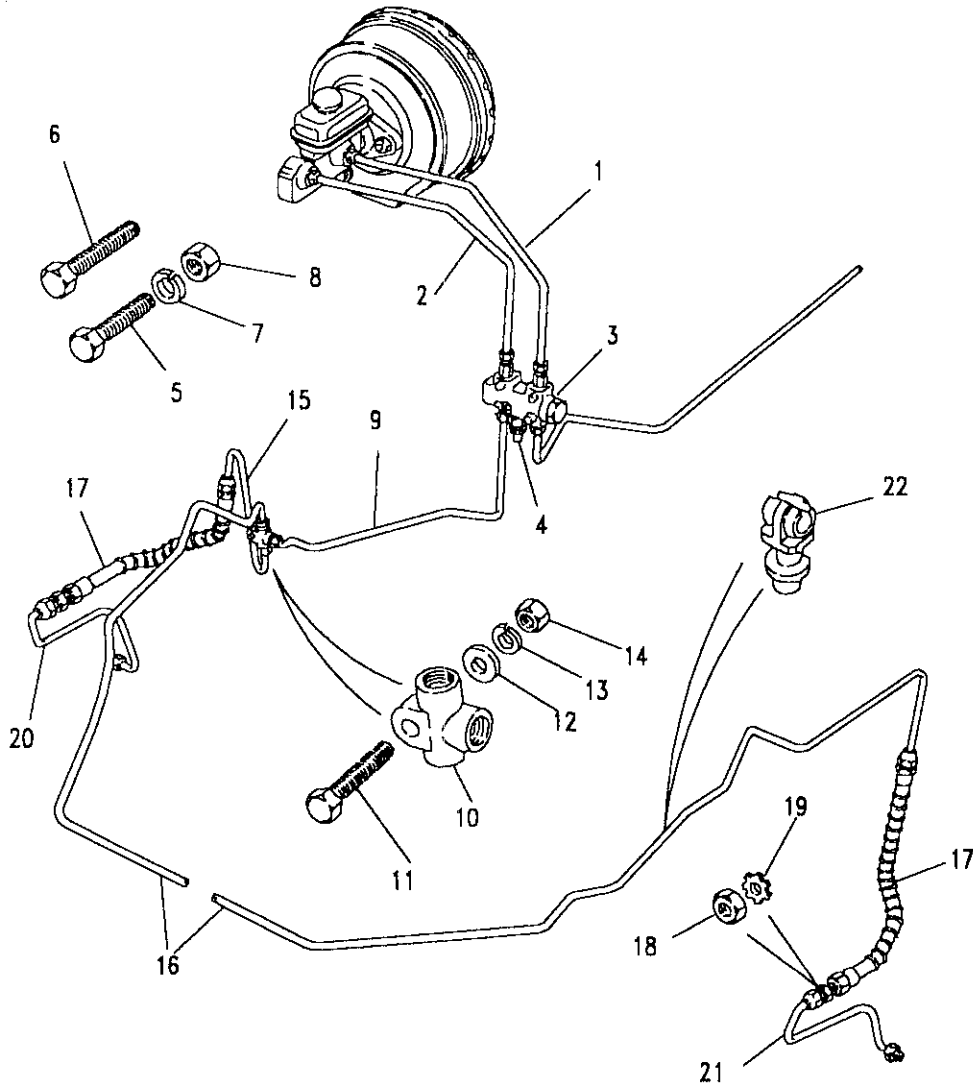


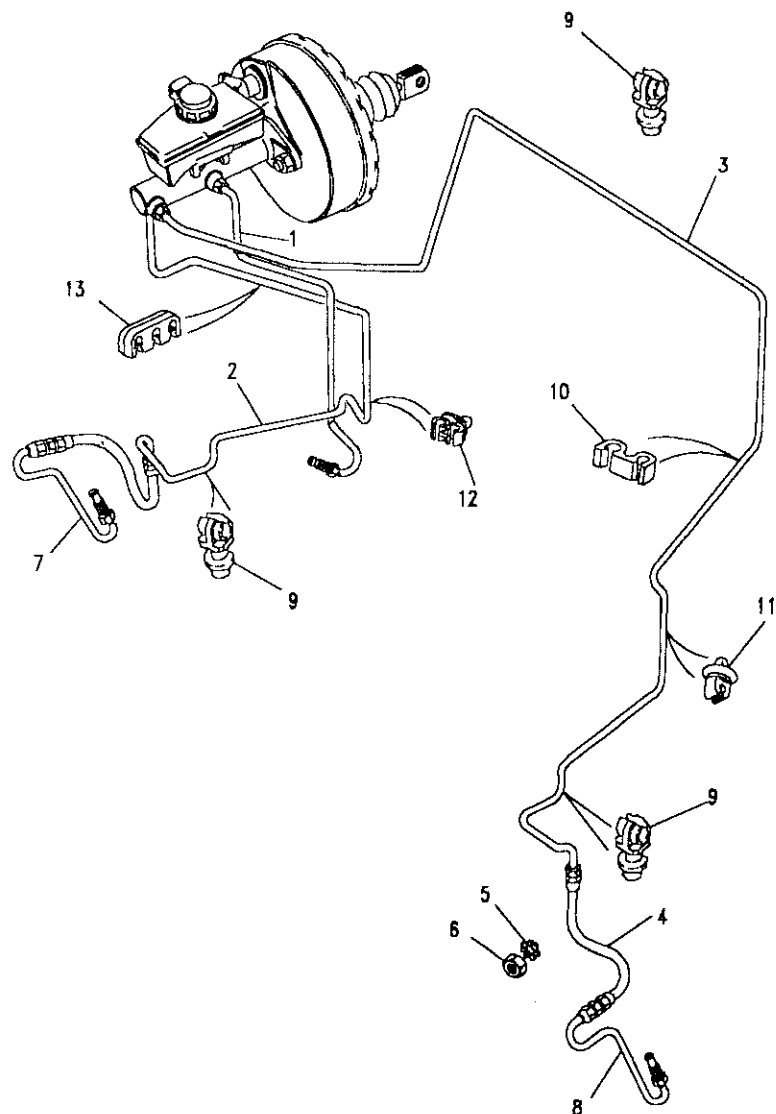
Model DEFENDER 110 1987 onwards  
Page AFHXCA1A

**BRAKES - FRONT BRAKE PIPES**

III. Part No.	Description	Qty	Remarks
20 NRC9575	Pipe brake RH	1	Note(3)
ANR2946	Pipe brake RH	1	Note(4)
21 NRC7799	Pipe brake LH	1	Note(3)
ANR2947	Pipe brake LH	1	Note(4)
22 CRC1250	Pipe Clip	8	

Note(1) PDWA = Pressure differential warning actuator  
 Note(2) PDWA/PCR = Pressure differential warning actuator combined with pressure conscious reduction  
 Note(3) Up to LA930434  
 Note(4) From LA930435





Model DEFENDER 110 1987 onwards

Page AFHXCA2A

**BRAKES - FRONT BRAKE PIPES RHD**

III. Part No. Description Qty Remarks

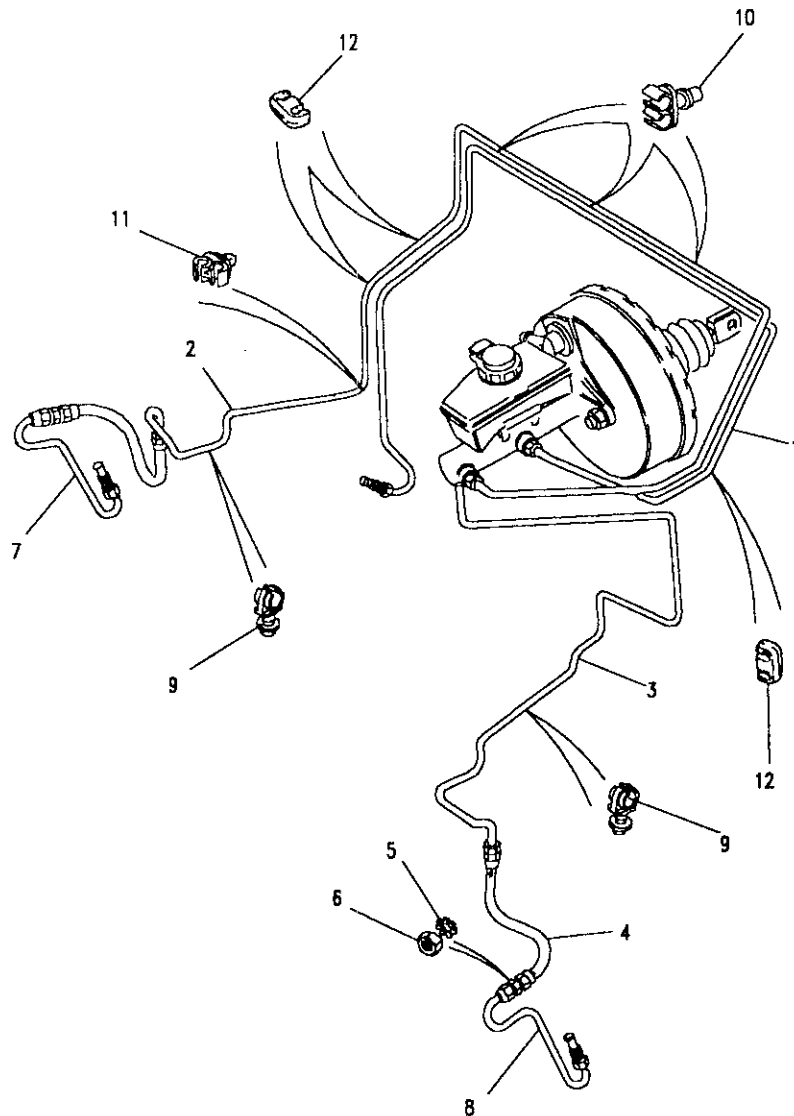
Vehicles with front disc and rear drum brakes

Defender 110 - From VIN HA901222 - Upto VIN 930434

1	NTC8452	Pipe brake	1	Note(1)
	NTC8454	Pipe brake	1	Note(2)
2	NTC5711	Pipe brake RH	1	
3	NTC5709	Pipe brake LH	1	
4	NRC7874	Hose brake	2	
5	WF110001L	Washer shakeproof	4	
6	CRC1487	Nut	4	
7	NRC9575	Pipe brake RH	1	
8	NRC7799	Pipe brake LH	1	
9	CRC1250L	Pipe clip-single	4	
10	NTC1175	Pipe clip-double	1	
11	NTC1176	Pipe clip-single	1	
12	NTC1177	Pipe clip-double	1	
13	ADU8846L	Pipe clip-triple	1	

Note(1) Vehicles fitted with G valve  
 Note(2) Vehicles fitted with connector





**Model** DEFENDER 110 1987 onwards  
**Page** AFHXCA3A

**BRAKES - FRONT BRAKE PIPES LHD**

**III. Part No. Description Qty Remarks**

Vehicles with front disc and rear drum brakes

Defender 110 - From VIN HA901220 - Upto VIN 930434

1	NTC8451	Pipe brake	1	Note(1)
	NTC8453	Pipe brake	1	Note(2)
2	NTC8450	Pipe brake RH	1	
3	NTC5708	Pipe brake LH	1	
4	NRC7874	Hose brake	2	
5	WF110001L	Washer shakeproof	4	
6	CRC1487	Nut	4	
7	NRC9575	Pipe brake RH	1	
8	NRC7799	Pipe brake LH	1	
9	CRC1250L	Pipe clip-single	2	
10	79127	Pipe clip-double	3	
11	NTC1177	Pipe clip-double	1	
12	AAU7803	Pipe clip-double	3	

Note(1) Vehicles fitted with G valve  
 Note(2) Vehicles fitted with connector



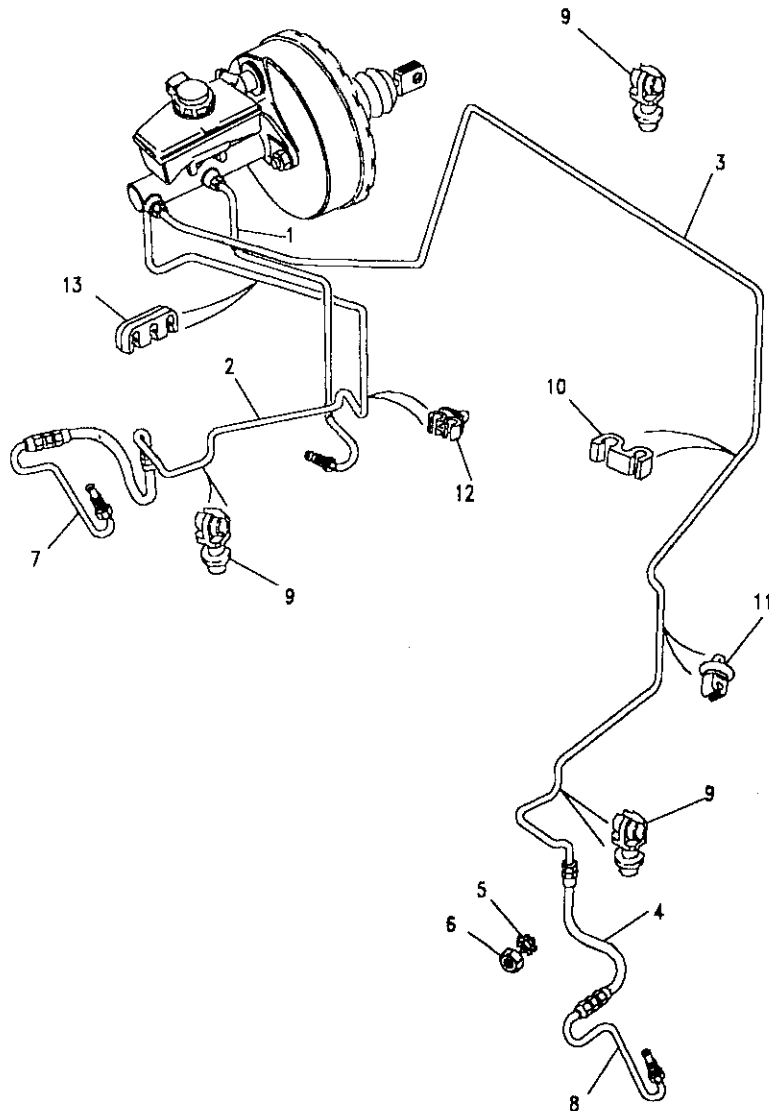
Model DEFENDER 110 1987 onwards  
Page AFHXCA4A

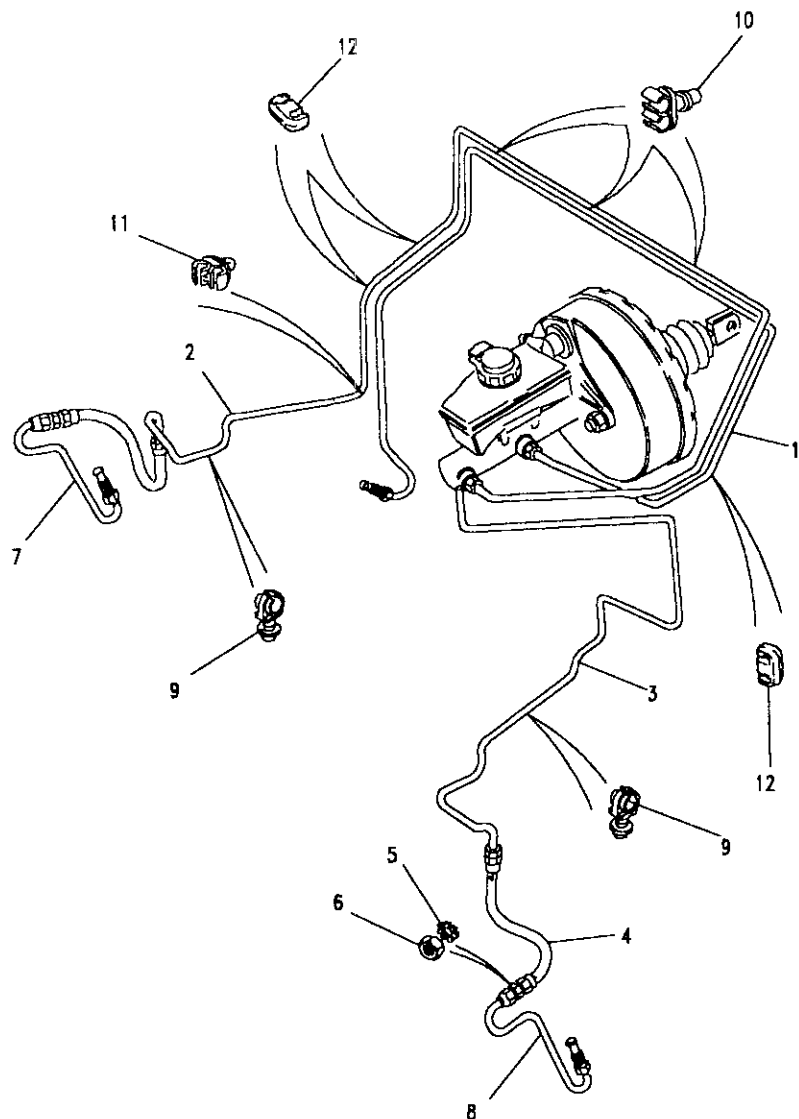
**BRAKES - FRONT BRAKE PIPES RHD**

III. Part No. Description Qty Remarks  
Vehicles with front disc and rear drum brakes

Defender 130 - From VIN HA901222 - Upto VIN 930545

1	NTC8454	Pipe brake	1
2	NTC5711	Pipe brake RH	1
3	NTC5709	Pipe brake LH	1
4	NRC7874	Hose brake	2
5	WF110001L	Washer shakeproof	4
6	CRC1487	Nut	4
7	NRC9575	Pipe brake RH	1
8	NRC7799	Pipe brake LH	1
9	CRC1250L	Pipe clip single	4
10	NTC1175	Pipe clip double	1
11	NTC1176	Pipe clip single	1
12	NTC1177	Pipe clip double	1
13	ADU8846L	Pipe clip triple	1





**Model** DEFENDER 110 1987 onwards  
**Page** AFHXCA5A

**BRAKES - FRONT BRAKE PIPES LHD**

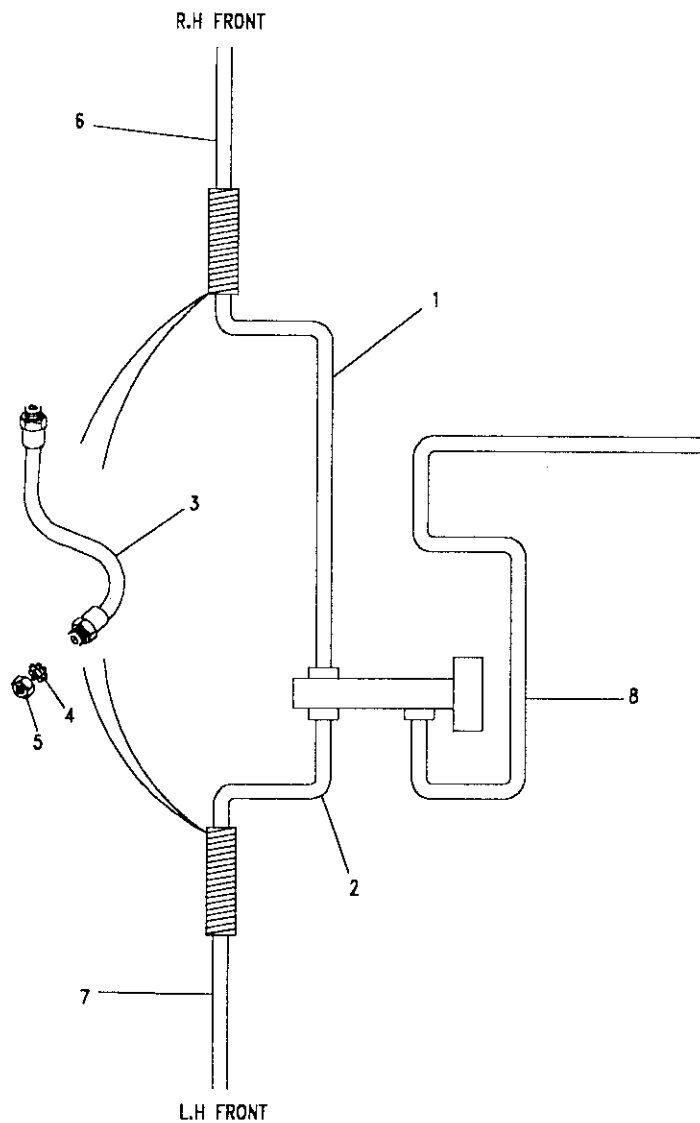
**III. Part No. Description Qty Remarks**

**Vehicles with front disc and rear drum brakes**

**Defender 130 - From VIN HA901220 - Upto VIN 930545**

1	NTC8453	Pipe brake	1
2	NTC8450	Pipe brake RH	1
3	NTC5708	Pipe brake LH	1
4	NRC7874	Hose brake	2
5	WF110001L	Washer shakeproof	4
6	CRC1487	Nut	4
7	NRC9575	Pipe brake RH	1
8	NRC7799	Pipe brake LH	1
9	CRC1250L	Pipe clip single	2
10	79127	Pipe clip double	3
11	NTC1177	Pipe clip double	1
12	AAU7803	Pipe clip double	3





**Model** DEFENDER 110 1987 onwards

**Page** AFHXCA6A

**BRAKES - FRONT BRAKE PIPES**

**Ill. Part No.**                      **Description**                      **Qty** **Remarks**

Defender 110 - From VIN LA930435

Defender 130 - From VIN LA930546

With front and rear disc brakes

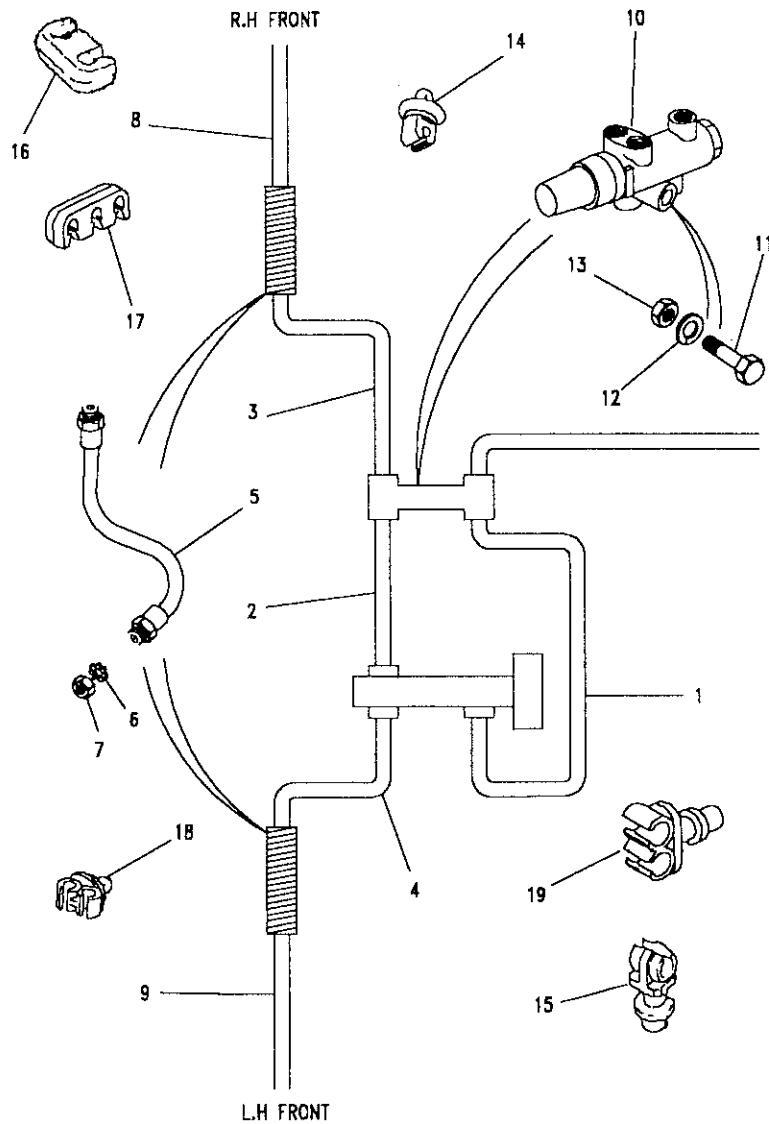
Without Brake Valve

1	NTC5711	Pipe brake -m/cyl to front RH	1	RHS Note(1)
	ANR3615	Pipe brake RH	1	Note(2)
1	ANR2780	Pipe brake -m/cyl to front RH	1	LHS
2	NTC9726	Pipe brake -m/cyl to front LH	1	RHS
2	NTC5708	Pipe brake -m/cyl to front LH	1	LHS
3	NRC7874	Hose brake	2	
4	WF110001L	Washer shakeproof	4	
5	CRC1487	Nut	4	
6	ANR2946	Pipe brake-caliper RH	1	
7	ANR2947	Pipe brake-caliper LH	1	
8	NTC8454	Pipe brake -m/cyl to connector	1	RHS
8	NTC8453	Pipe brake -m/cyl to connector	1	LHS

Note(1) Up to LA939975

Note(2) From MA939976





Model DEFENDER 110 1987 onwards  
 Page AFHXCA7A

**BRAKES - FRONT BRAKE PIPES**

III. Part No. Description Qty Remarks

Defender 110 - From VIN LA930435

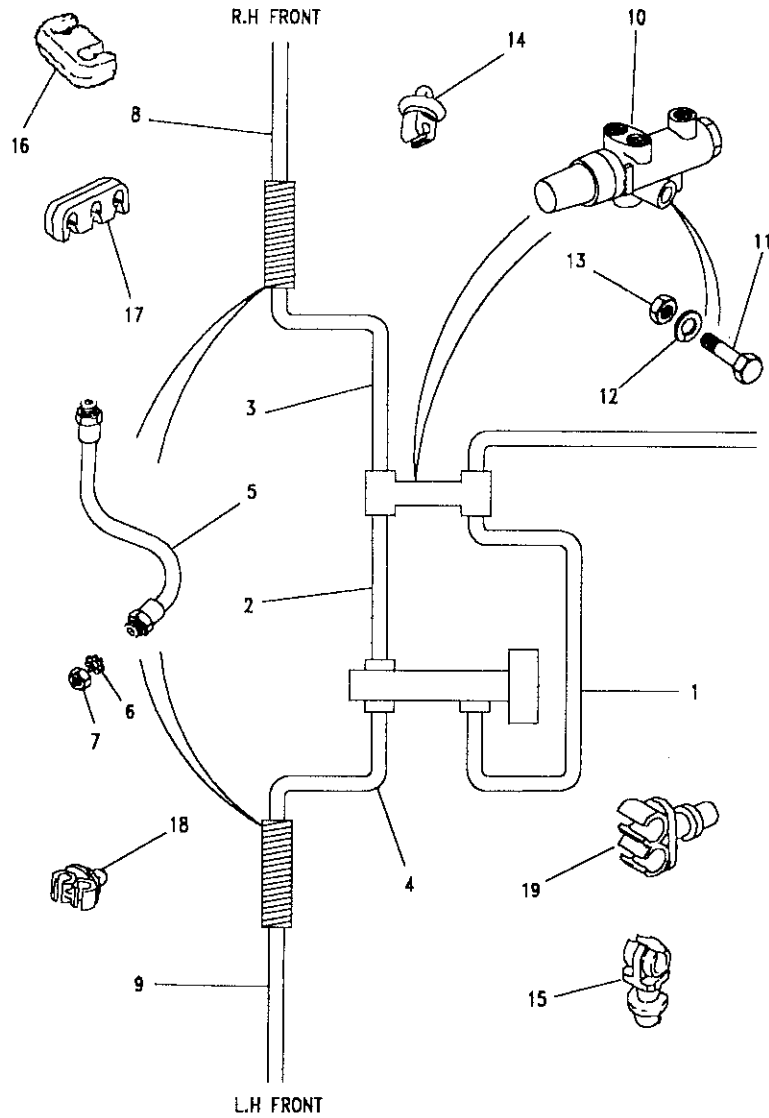
With front and rear disc brakes

**With Brake Valve**

Part No.	Description	Qty	Remarks
1 NTC7961	Pipe brake -m/cyl to valve rear	1	RHS
1 NTC7962	Pipe brake -m/cyl to valve rear	1	LHS Note(3)
ANR3770	Pipe brake -m/cyl to valve rear	1	LHS Note(4)
2 NTC7968	Pipe brake -m/cyl to valve rear	1	RHS
2 NTC7970	Pipe brake -m/cyl to valve front	1	LHS Note(1)
ANR3069	Pipe brake -m/cyl to valve front	1	LHS Note(2)
3 ANR2503	Pipe brake -valve to front RH	1	
4 NTC9726	Pipe brake -m/cyl to front LH	1	RHS
4 NTC5708	Pipe brake -m/cyl to front LH	1	LHS
5 NRC7874	Hose brake	2	
6 WF110001L	Washer shakeproof	4	
7 CRC1487	Nut	4	
8 ANR2946	Pipe brake-caliper RH	1	
9 ANR2947	Pipe brake-caliper LH	1	

Note(1) Up to LA930434  
 Note(2) From LA930435  
 Note(3) Up to MA948860  
 Note(4) From MA948861





**Model** DEFENDER 110 1987 onwards  
**Page** AFHXCA7A

**BRAKES - FRONT BRAKE PIPES**

III. Part No.	Description	Qty	Remarks
10	ANR1415	1	Valve brake-29PRF43
11	BH106091L	1	Bolt
12	WL106001L	1	Washer spring
13	NH106041L	1	Nut
14	NTC1176	1	Clip pipe single
15	CRC1250L	1	Clip pipe single
16	AAU7803	2	Clip pipe single
17	AAU7803	3	Clip pipe double
18	ADU8846L	1	Clip pipe triple
19	NTC1177	1	Clip pipe double
19	79127	3	Clip pipe double



Model DEFENDER 110 1987 onwards  
Page AFHXEA1A

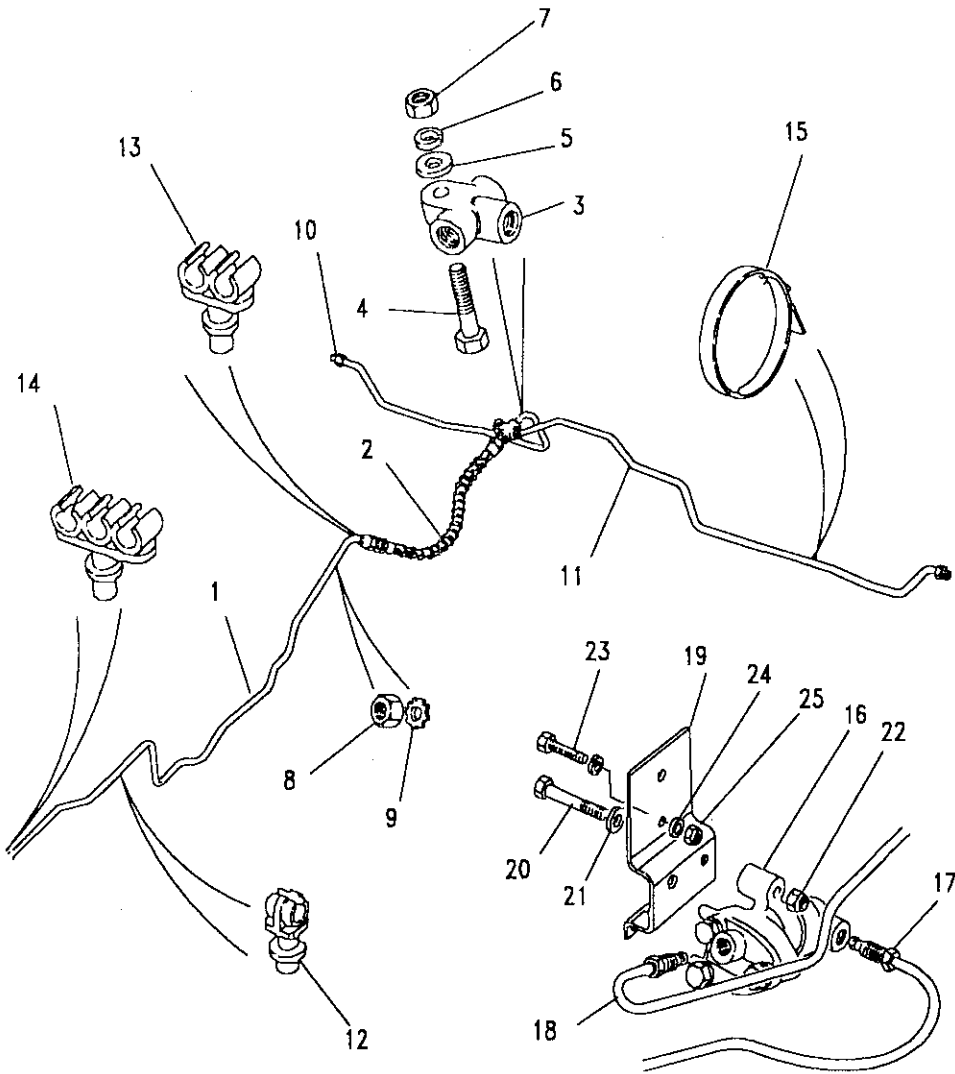
BRAKES - REAR BRAKE PIPES

III. Part No. Description Qty Remarks

Vehicles with front disc and rear drum brakes

Upto VIN HA901219

III. Part No.	Description	Qty	Remarks
1	NTC1792	1	
	RRC2479	1	Defender 130
2	NRC9456	1	
3	NRC4251	1	
4	BH106061L	1	
5	WC106041L	1	
6	WL106041	1	
7	NH106041L	1	
8	CRC1487	1	
9	WF110001L	1	
10	NRC7905	1	
11	NRC7906	1	
12	CRC1250	5	
13	79127	1	
14	AFU1217	2	
15	11820L	3	Note(1)
	577873	3	Note(2)
	79004	3	Upto VIN 341764
	SL510031	3	From VIN 341765
	WC702101L	3	



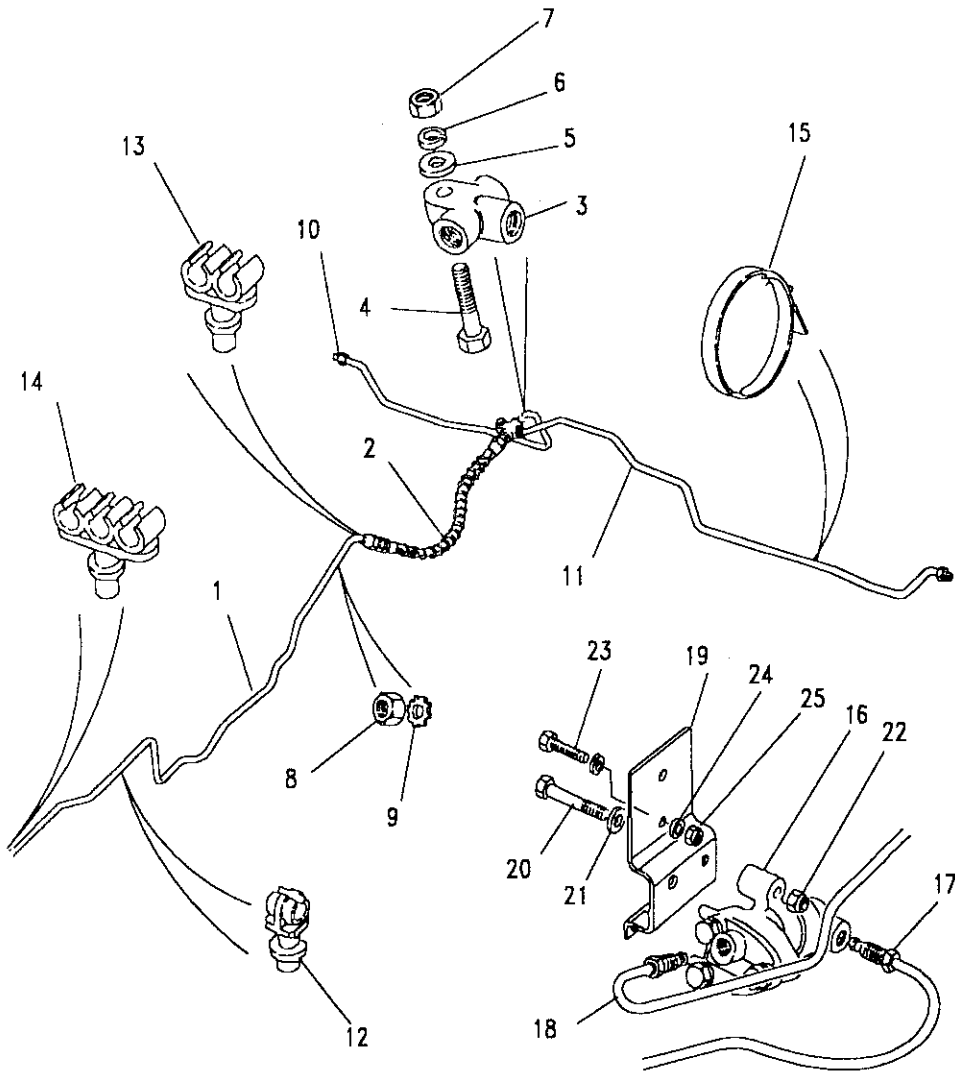


Model DEFENDER 110 1987 onwards  
Page AFHXEA1A

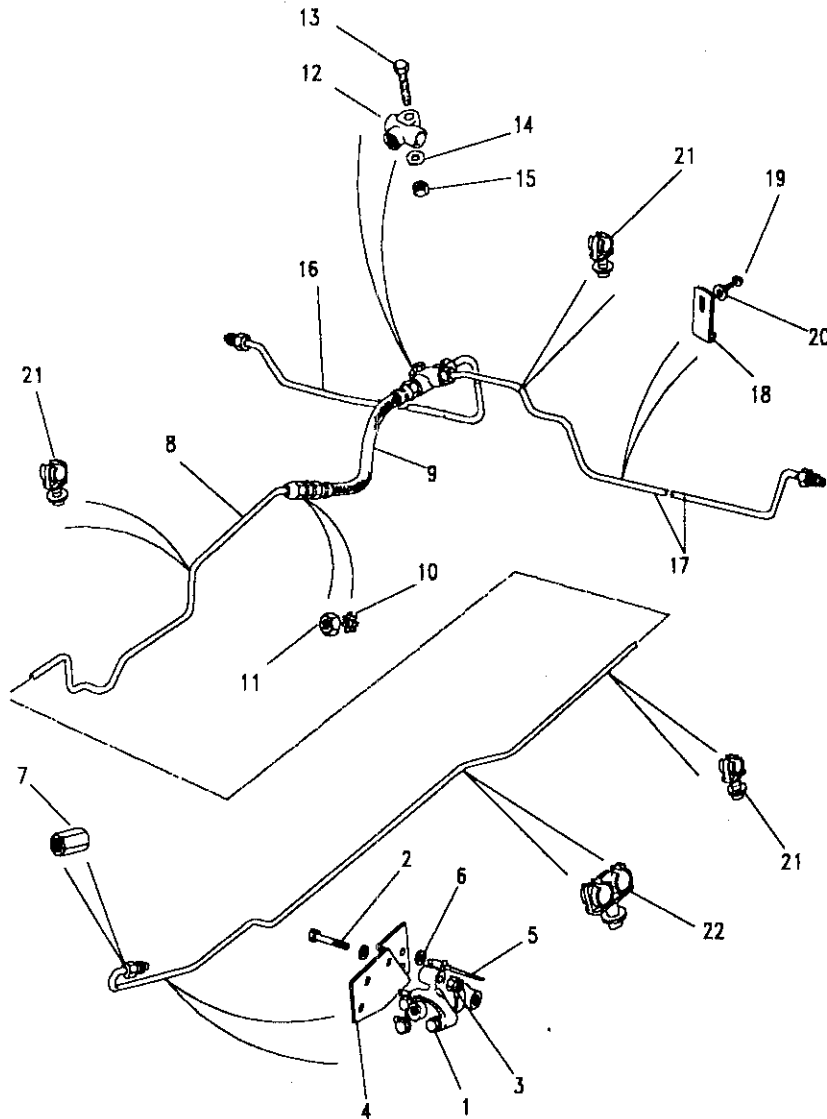
BRAKES - REAR BRAKE PIPES

Ill. Part No.	Description	Qty	Remarks
16	NRC8215	1	)
17	NRC8213	1	)
18	NRC8214	1	)
19	NRC9035	1	)
20	BH108091L	1	)
21	WA108051L	1	)
22	NY108041L	1	)
23	SH106251L	1	)
24	WA106041L	1	)
25	NY106041L	1	)

Note(1) Up to axle number 21543061B  
 Note(2) From axle number 21543062B  
 Note(3) For use on Hard Top vehicles with extra seats in rear







Model DEFENDER 110 1987 onwards

Page AFHXEA2A

**BRAKES - REAR BRAKE PIPES**

III. Part No. Description Qty Remarks

Vehicles with front disc and rear drum brakes

Defender 110 - From VIN HA901220 - Upto VIN 930434

1	NRC8215	G valve	1	}
2	BH108091L	Bolt	1	
3	NY108041L	Nut nyloc	1	} Note(1)
4	NRC8897	Bracket mounting	1	
5	RA612207L	Rivet	2	}
6	2266L	Washer plain	2	
7	BMK2466	Connector	1	Note(2)
8	NTC8455	Pipe brake	1	Note(1)
	NTC8456	Pipe brake	1	Note(2)
9	NRC9456	Hose brake	1	
10	WF110001L	Washer shakeproof	1	
11	CRC1487	Nut	1	
12	NRC4251	Tee piece	1	
13	BH106061L	Bolt	1	
14	WA106041L	Washer plain	2	
15	NH106041L	Nut	1	
16	NRC7905	Pipe brake RH	1	
17	NTC4578	Pipe brake LH	1	
18	577873	Clip	3	
19	SL510031	Screw	3	
20	WC702101L	Washer plain	3	
21	CRC1250L	Pipe clip-single	6	
22	79127	Pipe clip-double	2	

Note(1) Vehicles fitted with G valve  
 Note(2) Vehicles fitted with connector

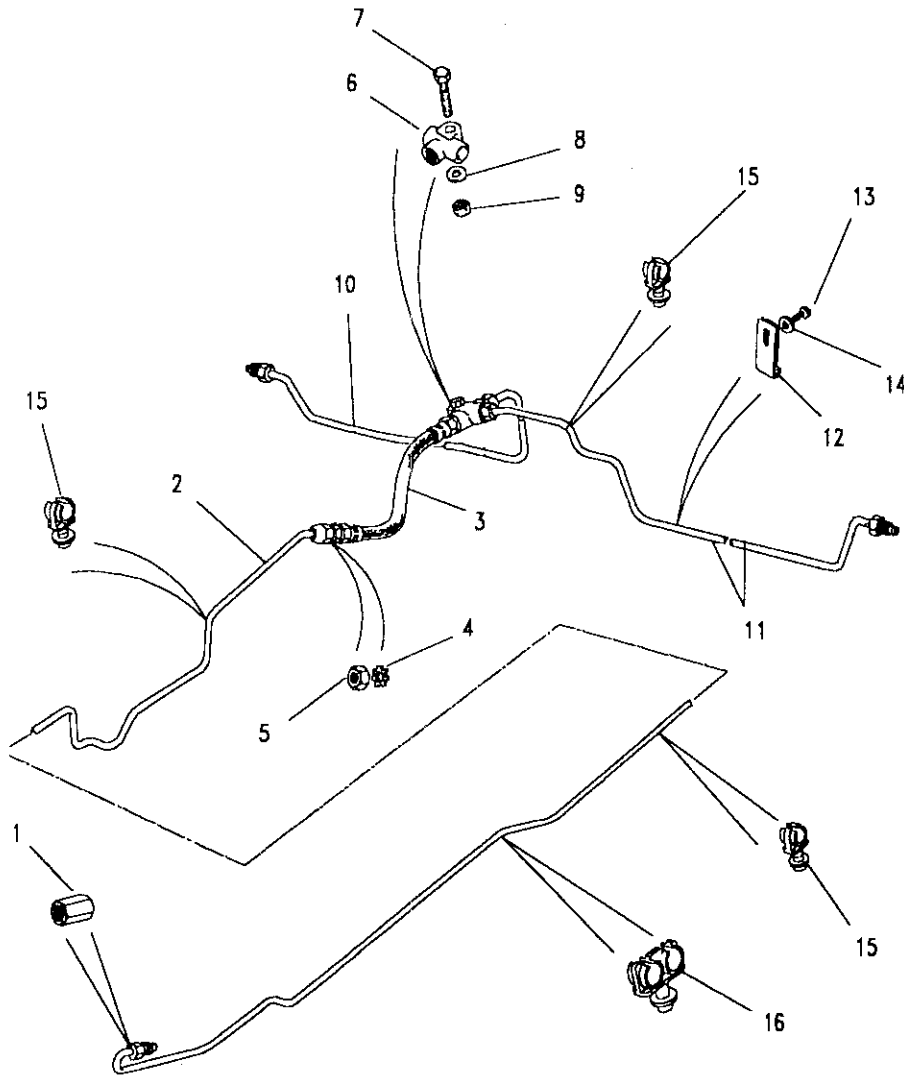
**Model** DEFENDER 110 1987 onwards  
**Page** AFHXEA3A

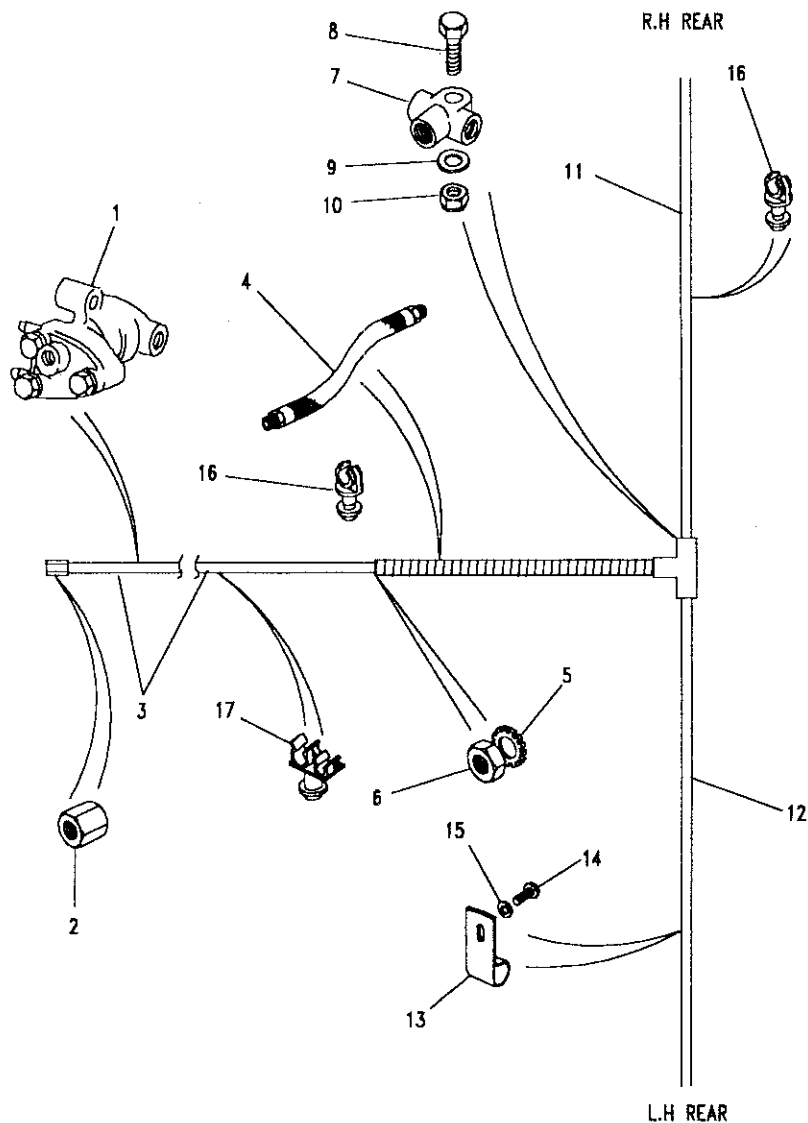
**BRAKES - REAR BRAKE PIPES**

**III. Part No. Description Qty Remarks**  
**Vehicles with front disc and rear drum brakes**

**Defender 130 - From VIN HA901220 - Upto VIN 930545**

1	BMK2466	Connector	1	
2	NTC8543	Pipe brake	1	
3	NRC9456	Hose brake	1	
4	WF110001L	Washer shakeproof	1	
5	CRC1487	Nut	1	
6	NRC4251	Tee piece	1	
7	BH106061L	Bolt	1	
8	WA106041L	Washer plain	2	
9	NH106041L	Nut	1	
10	NRC7905	Pipe brake RH	1	
11	NTC4578	Pipe brake LH	1	
12	577873	Clip	3	
13	SL510031	Screw	3	
14	WC702101L	Washer plain	3	
15	CRC1250L	Pipe clip single	6	RH stg
	CRC1250L	Pipe clip single	7	LH stg
16	79127	Pipe clip double	2	





**Model** DEFENDER 110 1987 onwards

**Page** AFHXEA4A

**BRAKES - REAR BRAKE PIPES**

**III. Part No. Description Qty Remarks**

**From VIN LA930435 - 110, LA930546 - 130**

**Vehicles with front and rear disc brakes**

1	NRC8215	G valve	1	Upto LA939975
	ANR1415	G valve	1	From MA939976

**Defender 110 - Without Brake Valve**

2	BMK2466	Connector	1	
3	ANR2777	Pipe brake rear	1	

**Defender 110 - With Brake Valve**

3	ANR2776	Pipe brake rear	1	
---	---------	-----------------	---	--

**Defender 130**

2	BMK2466	Connector	1	
3	ANR2778	Pipe brake rear	1	

**All Derivatives**

4	NRC9456	Hose brake	1	
5	WF110001L	Washer shakeproof	1	
6	CRC1487	Nut	1	
7	NRC4251	Tee piece	1	
8	BH106061L	Bolt	1	
9	WA106041L	Washer plain	2	
10	NH106041L	Nut	1	
11	NTC7964	Pipe brake-rear RH	1	
12	ANR2779	Pipe brake-rear LH	1	
13	577873	Clip pipe	3	
14	SL510031	Screw	3	
15	WC702101	Washer plain	3	
16	CRC1250L	Clip pipe single	6	
17	79127	Clip pipe double	2	



DEFENDER 110 1987 onwards

507

BRAKES

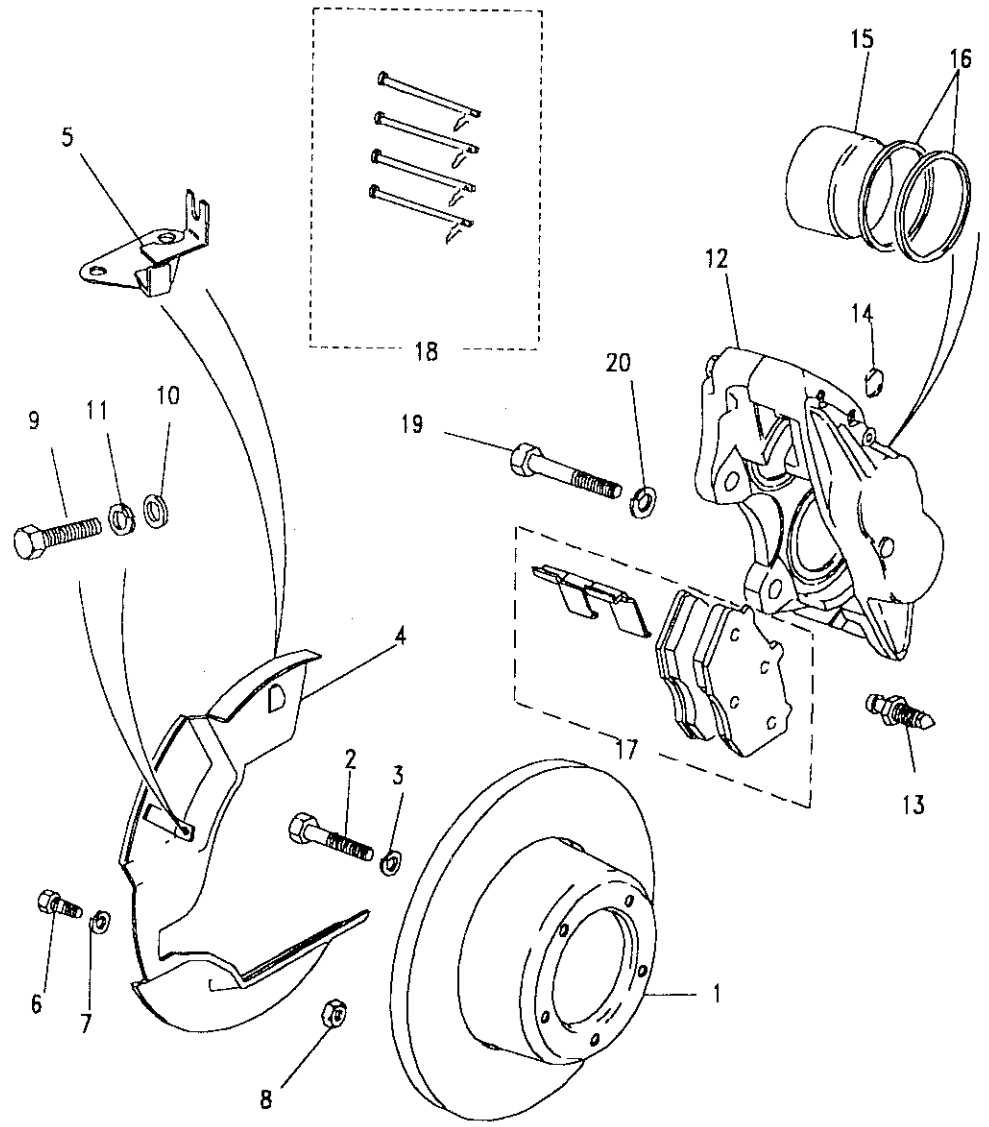
Model DEFENDER 110 1987 onwards  
Page AFHXGA1A

**BRAKES - FRONT BRAKES**

III. Part No. Description Qty Remarks  
Upto VIN 930434 - 110, 930545 - 130

**Vehicles with front disc and rear drum brakes**

1	FRC7329	Disc brake	2	
2	AFU1180	Bolt	10	
3	WL110001L	Washer spring	10	
4	FRC6402	Mudshield brake RH	1	
	FRC6403	Mudshield brake LH	1	
5	FRC7202	Bracket retaining-RH	1	
	FRC7201	Bracket retaining-LH	1	
6	SH106121L	Screw	2	
7	WL106001L	Washer spring	2	
8	NH106041L	Nut	2	
9	SH106121L	Screw	2	
10	WL106001L	Washer spring	2	
11	WA106041L	Washer plain	2	
12	RTC5572	Caliper brake RH	1	
	RTC5573	Caliper brake LH	1	
13	RTC1526	Screw bleed	2	
14	17H8764L	Seal fluid channel	4	
15	STC201	Piston caliper	4	
16	AEU2539	Repair kit caliper	2	
17	RTC5574	Brake pad axle set	1	
18	RTC5001	Retention kit	1	
19	AFU1031	Bolt	2	
20	WL112001L	Washer spring	2	





Model DEFENDER 110 1987 onwards  
 Page AFHXGA2A

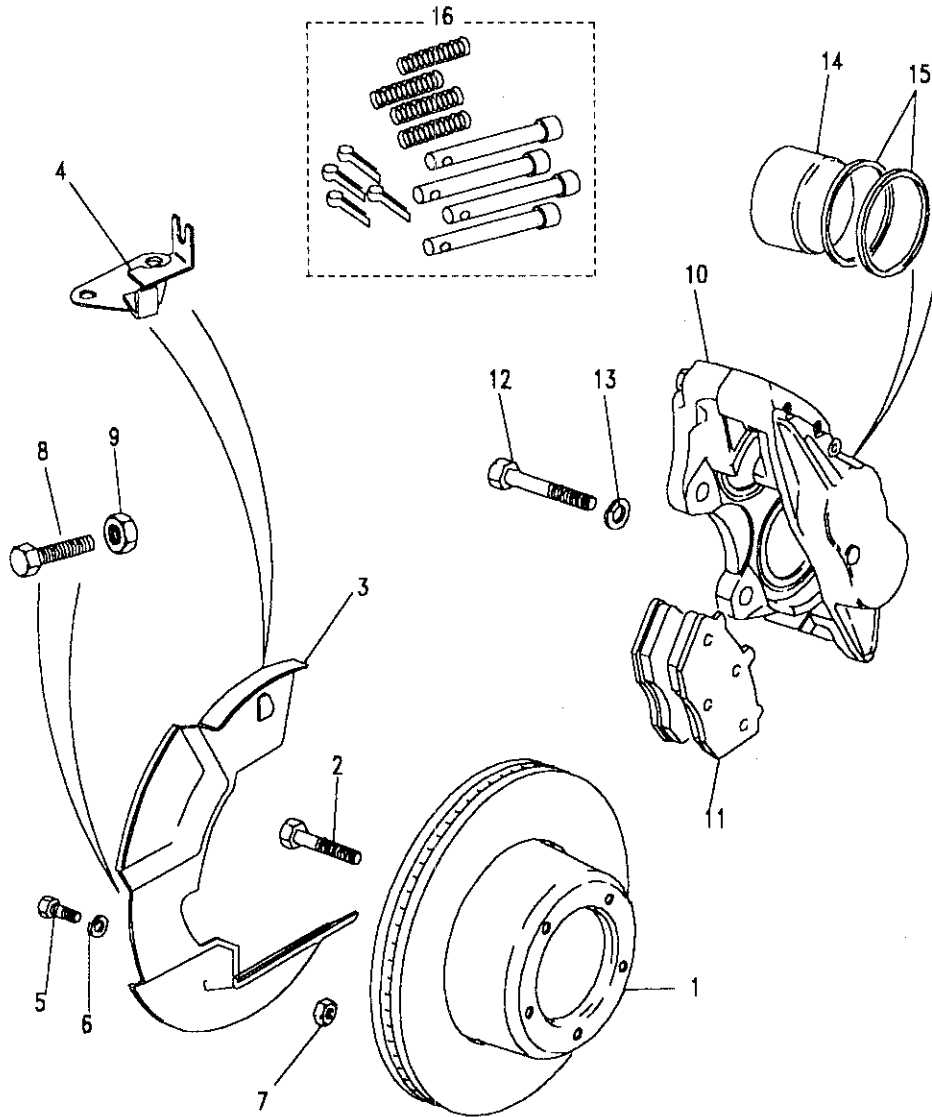
**BRAKES - FRONT BRAKES**

III. Part No. Description Qty Remarks

From VIN LA930435 - 110, LA930546 - 130

**Vehicles with front and rear disc brakes**

1	FTC902	Disc brake vented	2	
2	FTC1368	Special bolt	10	
3	FTC3278	Mudshield brake RH	1	
	FTC3279	Mudshield brake LH	1	
4	FRC7202	Bracket RH	1	
	FRC7201	Bracket LH	1	
5	SH106121L	Screw	2	
6	WA106041L	Washer plain	2	
7	NH106045	Nut	2	
8	SH112505	Screw	2	
9	NT112041L	Nut	2	
10	STC1266	Caliper brake RH	1	
	STC1267	Caliper brake LH	1	
11	STC1275	Brake pad axle set	1	
12	FTC3375	Bolt caliper	2	
13	WL112001L	Washer spring	2	
14	STC1280	Kit caliper piston	1	
15	AEU2539	Kit caliper repair	4	
16	RTC6799	Kit pad retention	1	





DEFENDER 110 1987 onwards

509

BRAKES

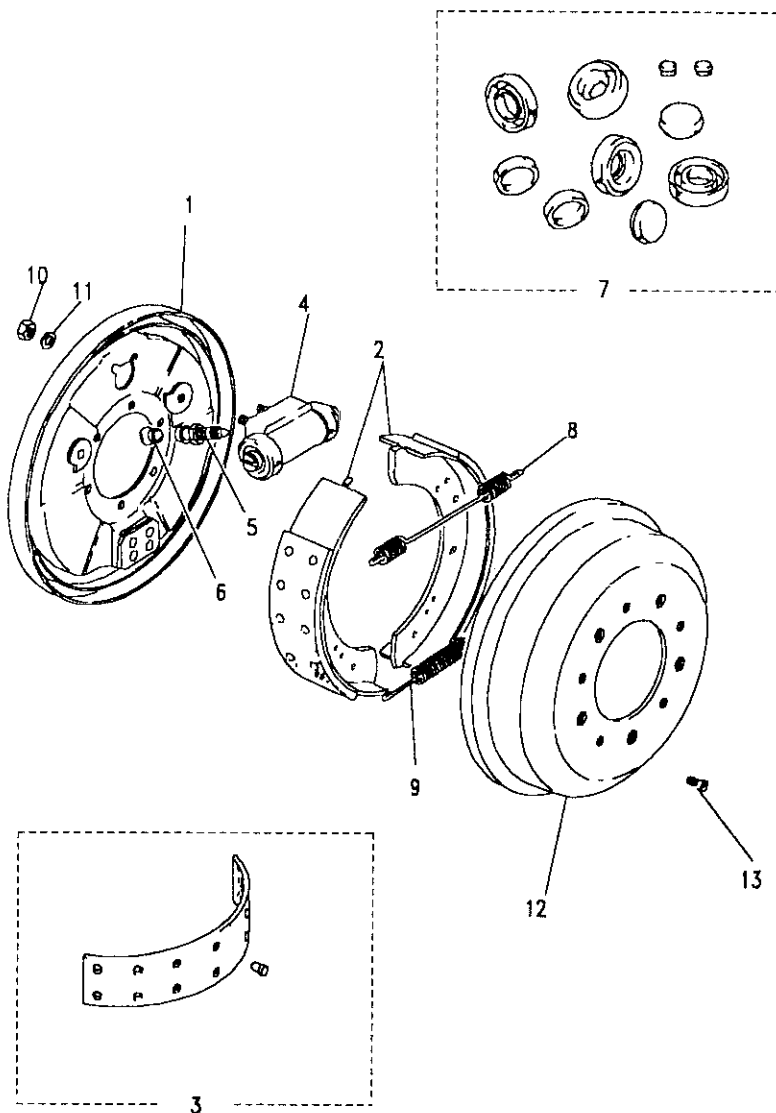
Model DEFENDER 110 1987 onwards

Page AFHXIA1A

**BRAKES - REAR DRUM BRAKES**

III. Part No.	Description	Qty	Remarks
<b>Upto VIN 930434 - 110, 930545 - 130</b>			
1 AEU2496	Backplate RH	1	
AEU2497	Backplate LH	1	
STC361	Backplate RH	1	Note(1)
STC360	Backplate LH	1	Note(1)
2 RTC3418	Brakeshoe axle set	1	
STC359	Brakeshoe axle set	1	Note(1)
3 AEU1880	Linings and rivets set	1	Part of RTC3418
4 RTC3626	Cylinder wheel RH	1	
RTC3627	Cylinder wheel LH	1	
5 608400	Screw bleed	2	
6 234957	Dust cap	2	
7 AEU2498	Repair kit cylinder wheel	2	
8 548169	Spring shoe return	2	Top
9 531893	Spring shoe return	2	Bottom
10 NH605041L	Nut	4	
11 WM600051L	Washer spring	4	
12 576973	Drum brake	2	
13 SA108161	Screw	2	
RTC3176	Adjuster kit brake	1	

Note(1) For heavy duty axle 24S suffix B - Defender110 over 3050kg and all Defender 130

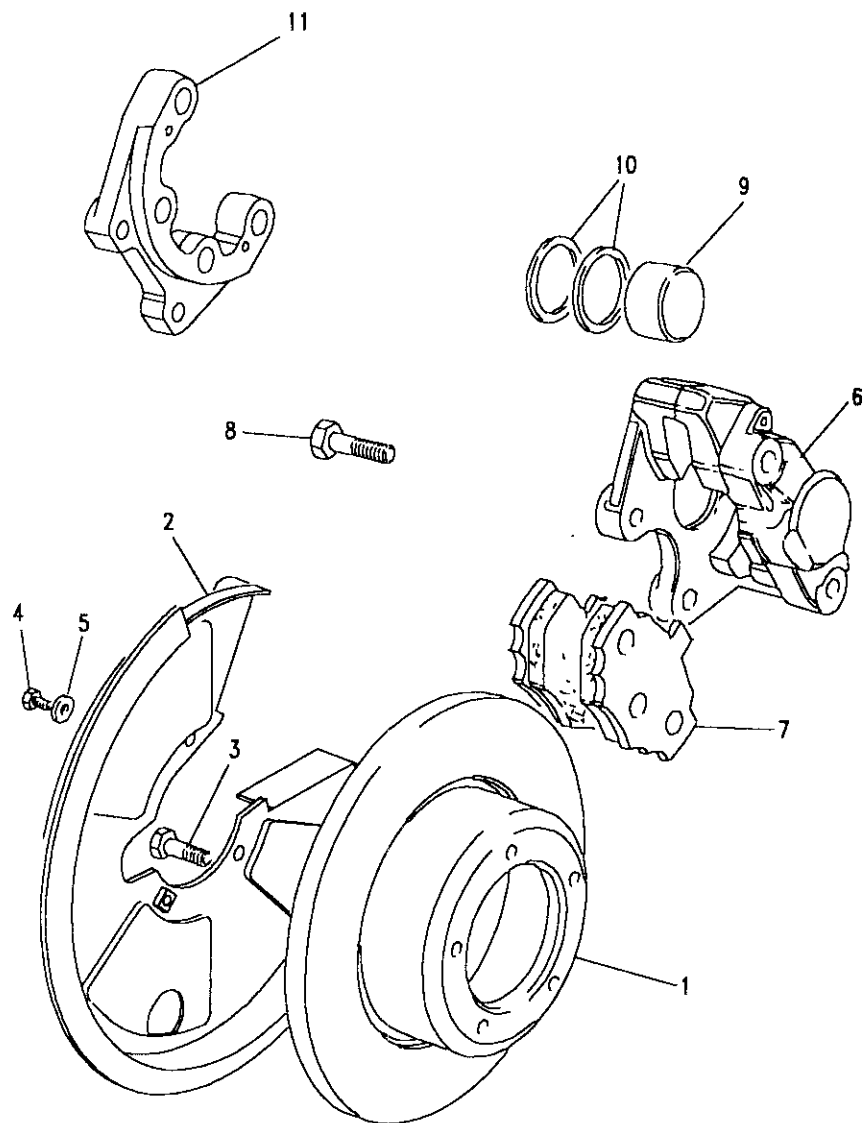




Model DEFENDER 110 1987 onwards  
Page AFHXIA2A

**BRAKES - REAR DISC BRAKES**

III. Part No.	Description	Qty	Remarks
<b>From VIN LA930435 - 110, LA930546 - 130</b>			
1	FTC3846	2	Disc brake
2	FTC3320	1	Mudshield RH
	FTC3321	1	Mudshield LH
	FTC3299	1	Mounting Bracket
3	FTC1368	10	Bolt M10
4	FS106201L	6	Screw
5	2215L	6	Washer plain
6	STC1268	1	Caliper brake RH
	STC1269	1	Caliper brake LH
7	STC1601	1	Brake pad kit axle set
8	FTC1967	4	Bolt brake caliper
9	STC1281	1	Kit caliper piston
10	STC1270	1	Kit caliper repair
	FTC3306	2	Bracket mounting caliper



Model DEFENDER 110 1987 onwards

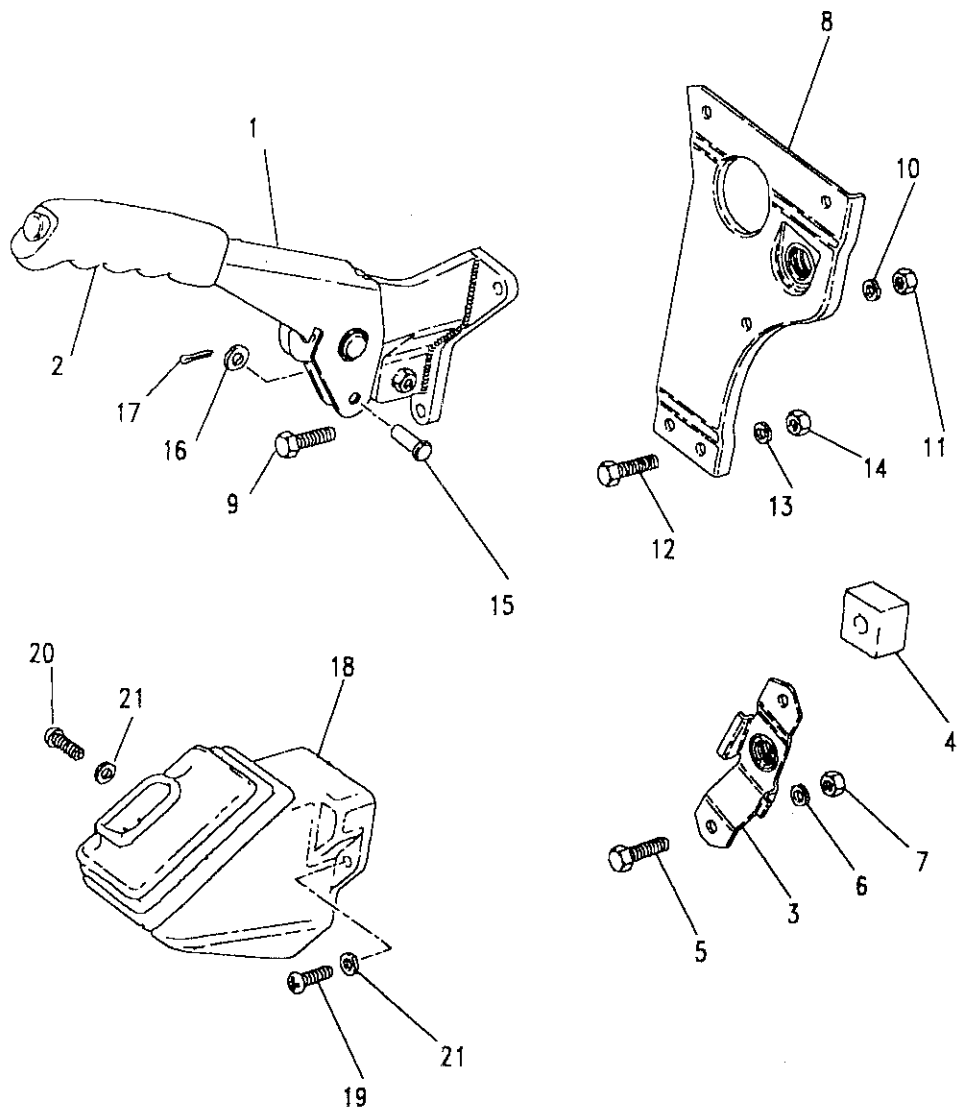
Page AFHXMA1A

**BRAKES - HANDBRAKE LEVER**

III. Part No.	Description	Qty	Remarks
1	NTC1557	1	)
	NRC9115	1	)Note(1)
	ANR3692	1	)
	ANR3693	1	)Note(2)
	WA110061	1	
	NH110041	1	25
	FN110041L	1	25
2	NRC2744	1	
<b>4 Cylinder also V8 from VIN 455962</b>			
3	NRC7984	1	
4	NRC6795	1	
5	FS108251L	2	
6	WL108001L	2	
7	FN108041L	2	

Note(1) Up to LA935629

Note(2) From LA935630



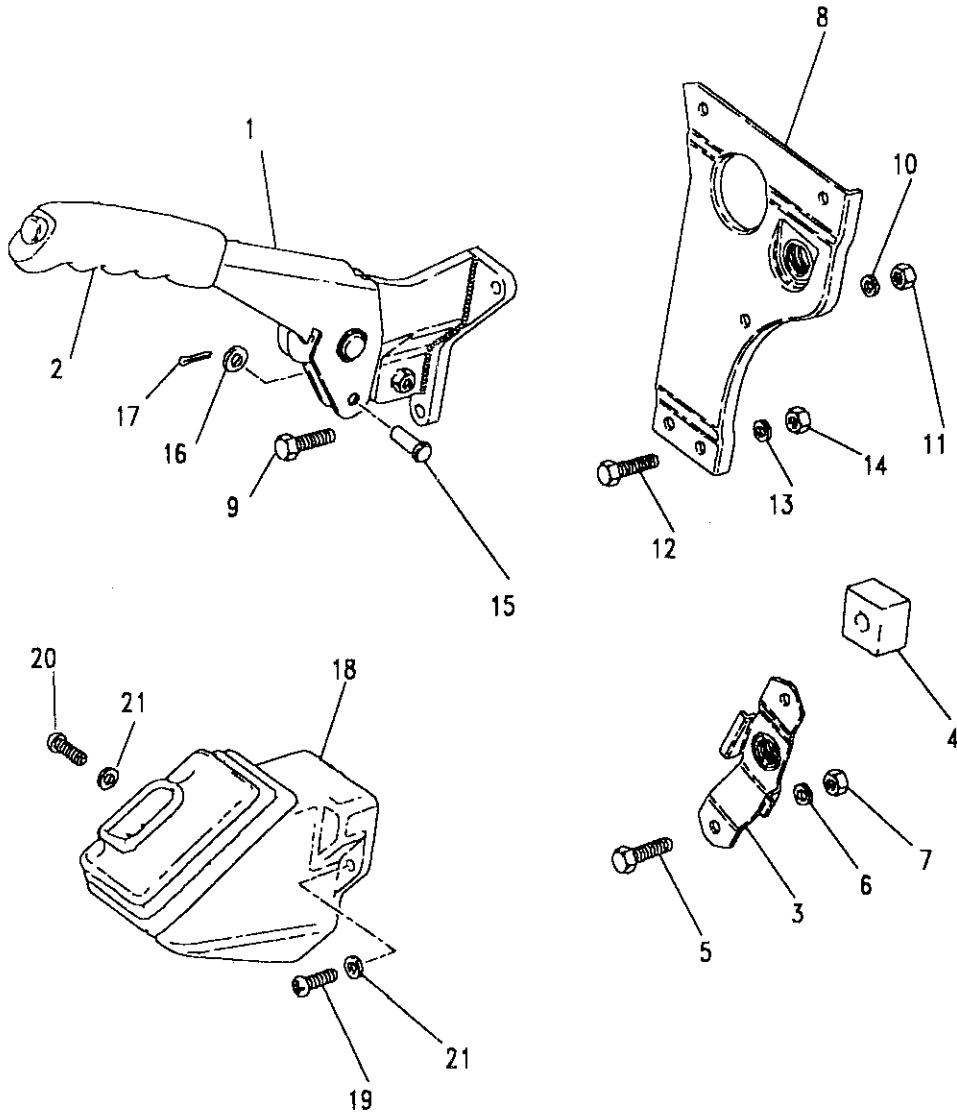




Model DEFENDER 110 1987 onwards  
Page AFHXMA1A

BRAKES - HANDBRAKE LEVER

III. Part No.	Description	Qty	Remarks
<b>V8 upto VIN 455961</b>			
8	NTC1224	1	Stiffener heelboard-RHS
	NRC6653	1	Stiffener heelboard-LHS
9	FS108251L	2	Screw
10	WL108001L	2	Washer spring
11	FN108041L	2	Nut
12	FS108251L	3	Screw
13	WL108001L	3	Washer spring
14	FN108041L	3	Nut





Model DEFENDER 110 1987 onwards

Page AFHXMA1A

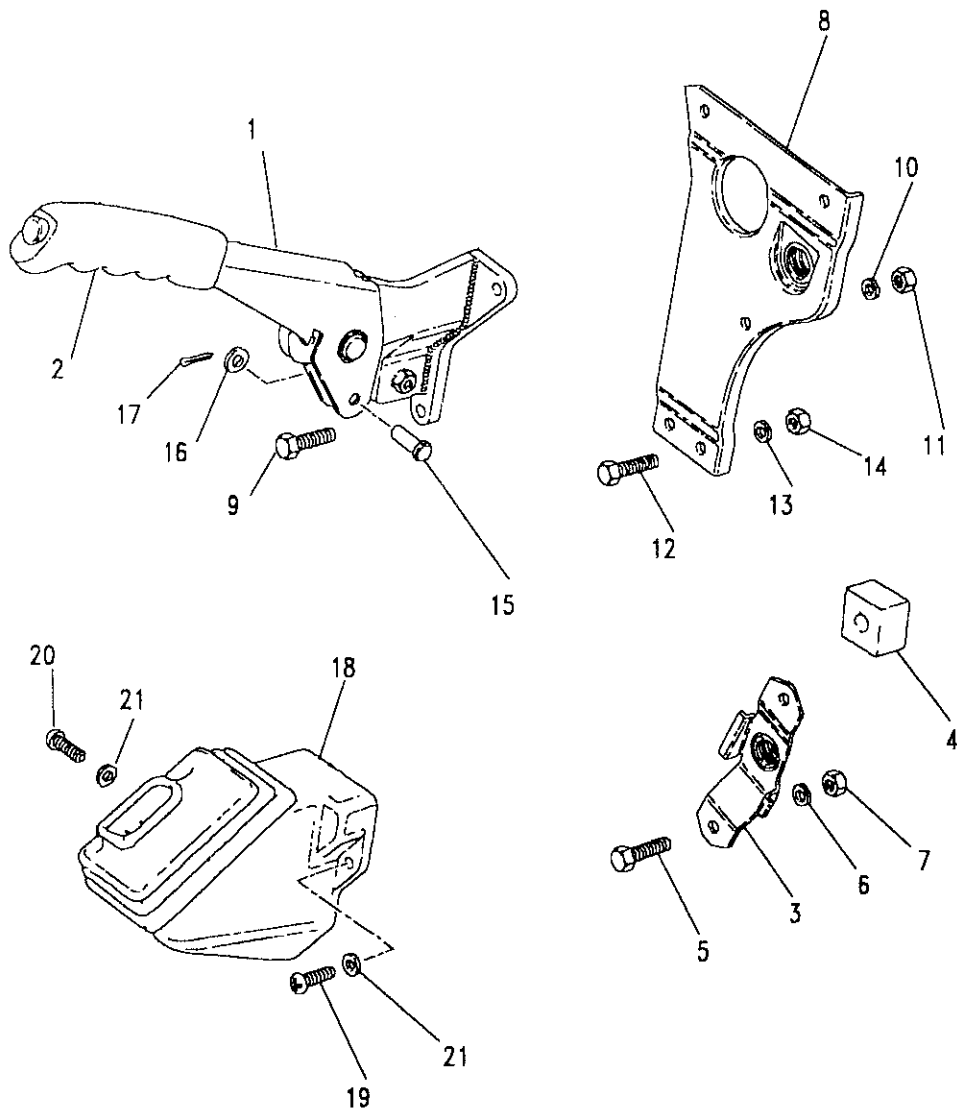
BRAKES - HANDBRAKE LEVER

III. Part No.	Description	Qty	Remarks
15	PC108291L Pin clevis	1	
16	WA108051L Washer plain	1	
17	PS104127L Pin split	1	
18	MRC9570 Cover handbrake	1	RHS
	MRC9571 Cover handbrake	1	LHS
19	AR608041L Screw	2	)
20	SE105201L Screw	1	)
21	WA105001L Washer plain	3	) Note(1)
19	AFU1897LDE Drive fastener	2	)
20	MWC3136 Snapsac	1	)Note(2)

Note(1) Up to LA935629

Note(2) From LA935630

20	AFU1897LDE Drive fastener	1	
21	MWC3136 Snapsac	1	



**Model** DEFENDER 110 1987 onwards  
**Page** AFHXMA2A

**BRAKES - HANDBRAKE LEVER - AUSTRALIA**

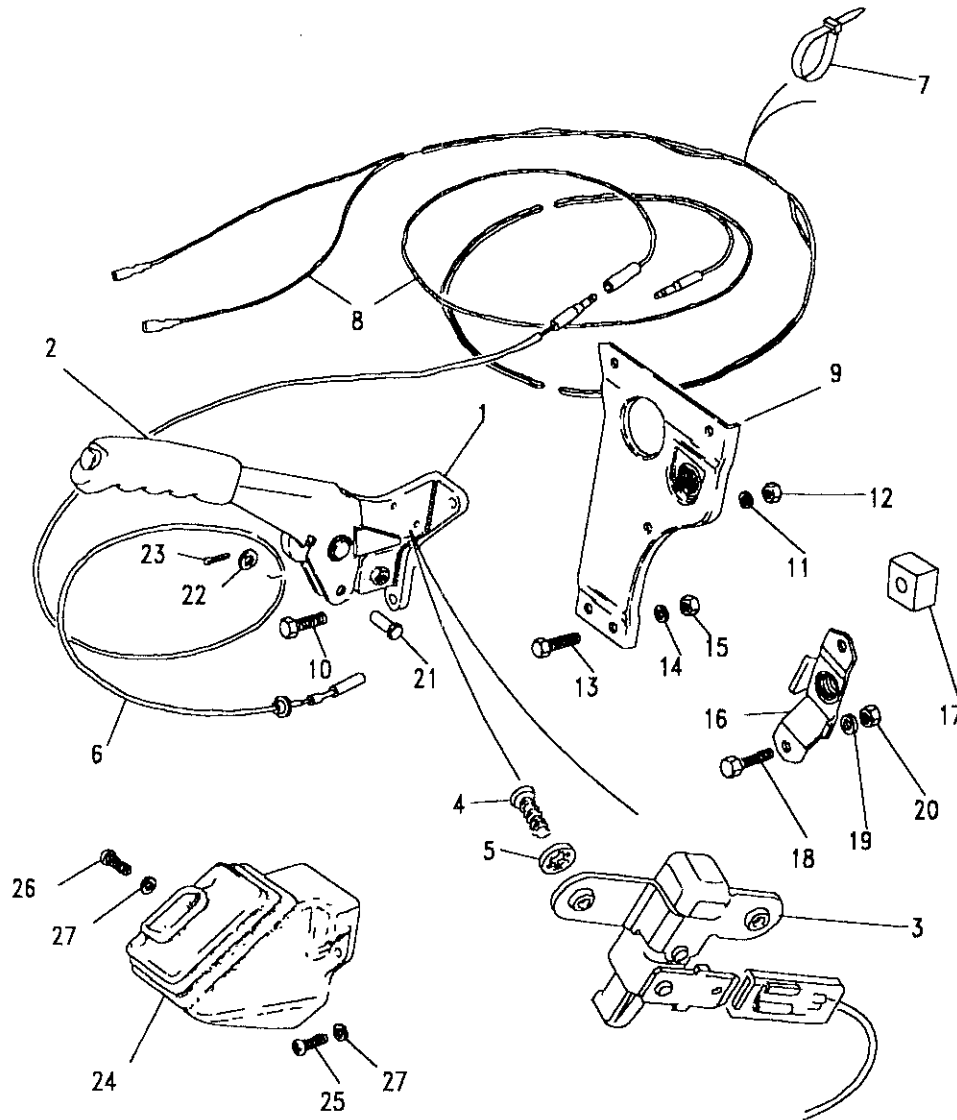
III. Part No.	Description	Qty	Remarks
1	NTC1563	1	Handbrake assembly
2	NRC2744	1	Grip handbrake
3	ADU2888L	1	Switch handbrake
4	SE104124L	2	Screw
5	WF104001L	2	Washer shakeproof
6	PRC4442	1	Lead
7	DRC1538	4	Cable tie
8	PRC3353	1	Cable assembly

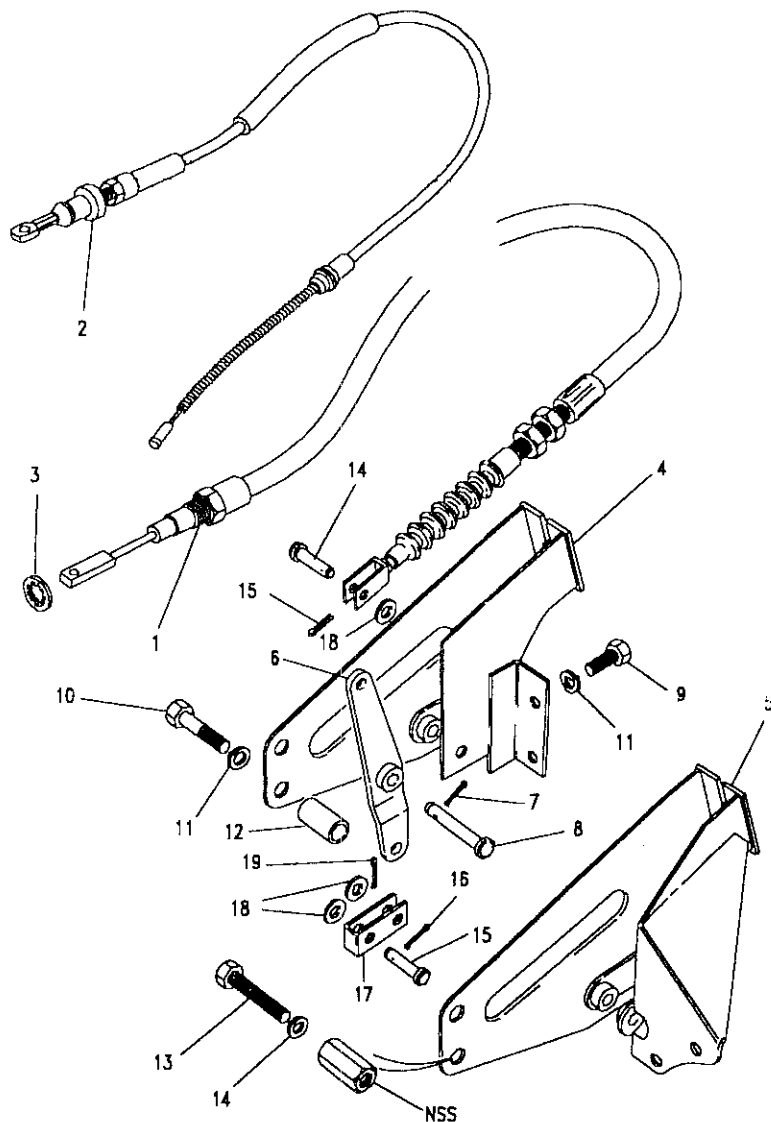
**Upto VIN 455961**

9	NTC1224	1	Stiffener heelboard
10	FS108251L	2	Screw
11	WL108001L	2	Washer spring
12	FN108041L	2	Nut
13	FS10825L	3	Screw
14	WL108001L	3	Washer spring
15	FN10804L	3	Nut

**From VIN 455962**

16	NRC7984	1	Plate abutment
17	NRC6795	1	Seal
18	FS108251L	2	Screw
19	WL108001L	2	Washer spring
20	FN108041L	2	Nut
21	PC108291L	1	Pin clevis
22	WA108051L	1	Washer plain
23	PS104127L	1	Pin split
24	MRC9570	1	Cover handbrake
25	AR608041L	2	Screw
26	SE105201L	1	Screw
27	WA105001L	3	Washer plain





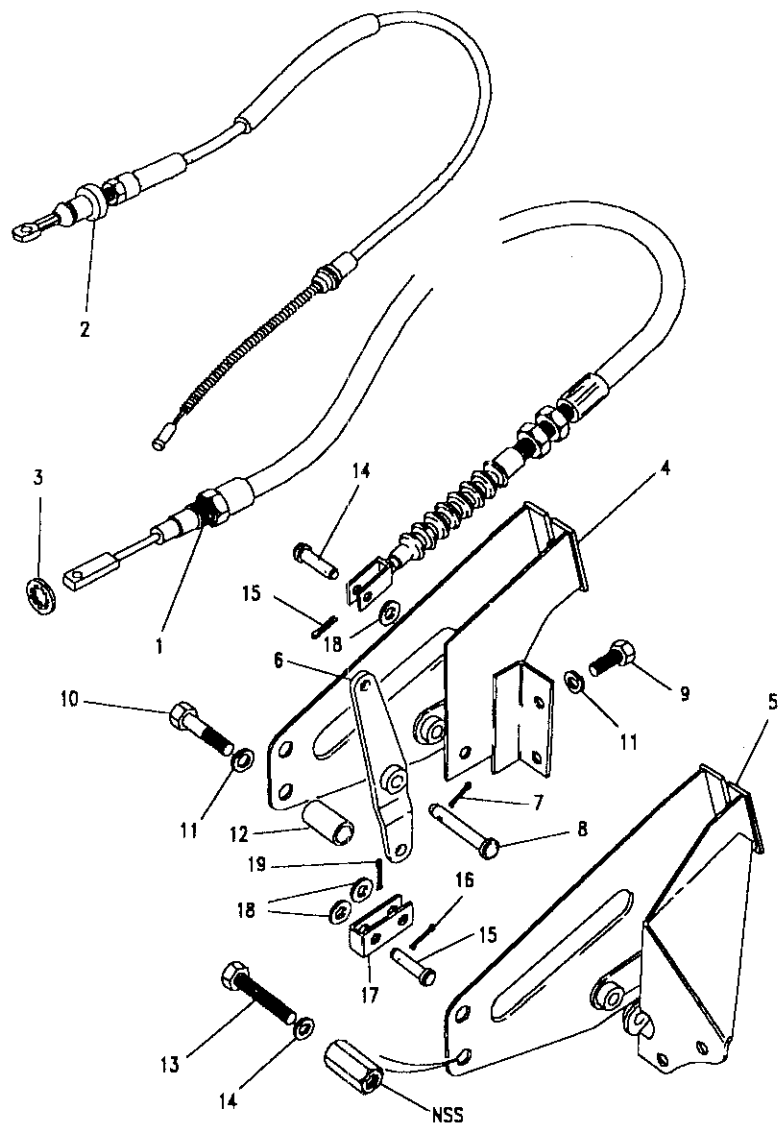
**Model** DEFENDER 110 1987 onwards

**Page** AFHXMA3A

**BRAKES - HANDBRAKE CABLE**

III. Part No.	Description	Qty	Remarks
1 NTC3480	Cable handbrake	1	Note(1)
2 STC1530	Cable handbrake	1	Note(2)
3 WF116001L	Washer shakeproof	1	
<b>4 Cylinder</b>			
4 NRC8059	Carrier	1	Upto VIN HA901219
NTC1643	Carrier	1	From VIN HA901220
<b>V8</b>			
5 NTC1643	Carrier	1	
6 NRC7044	Lever	1	
7 PS104161	Pin split	1	
8 NRC5104	Pin	1	
<b>4 Cylinder upto VIN HA901219</b>			
9 FS108251L	Screw-to housing	2	
10 BH108091L	Bolt-to housing	2	
11 WL108001L	Washer spring	4	
12 NRC7124	Spacer	2	

Note(1) Up to 20D290863E  
 Note(2) From 20D290864E



**Model** DEFENDER 110 1987 onwards  
**Page** AFHXMA3A

**BRAKES - HANDBRAKE CABLE**

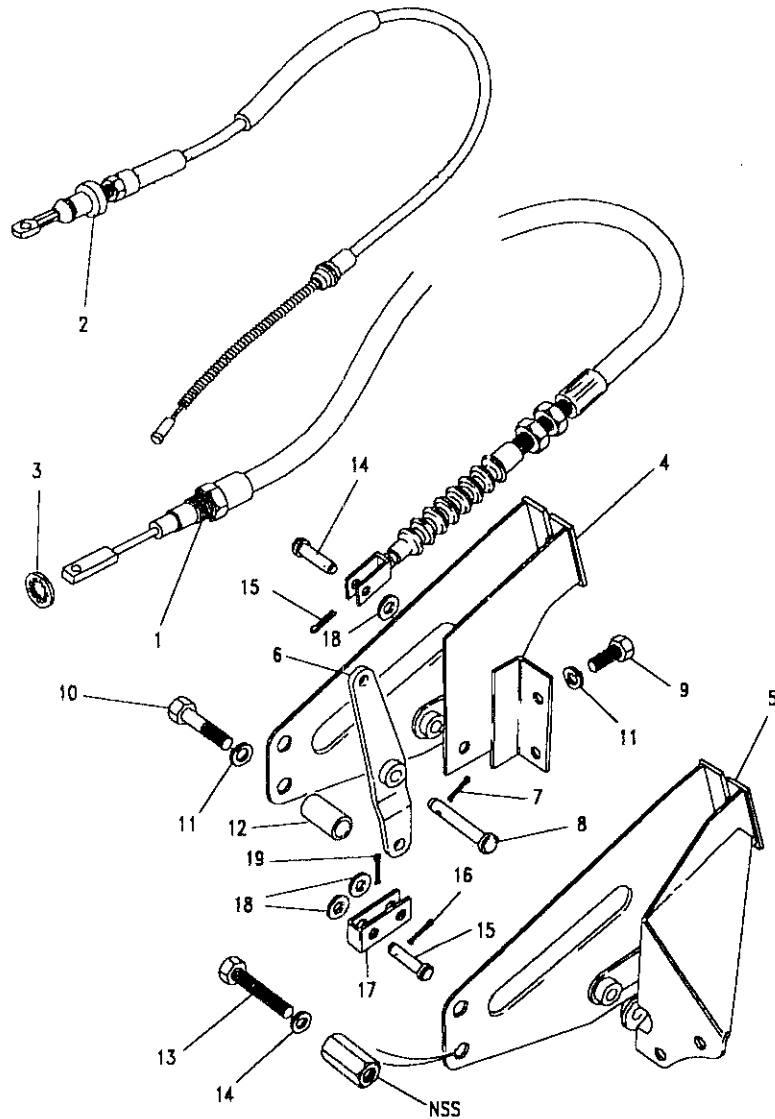
III. Part No.	Description	Qty	Remarks
V8 also 4 Cylinder from VIN HA901220			
13 SH606061L	Screw-to pillar	2	
14 WM600061L	Washer spring	2	
15 PC108291L	Pin clevis	1	
16 PS104127L	Pin split	1	
17 NRC7648	Clevis	1	
18 WA108051L	Washer plain	2	
19 PS104127L	Pin split	2	



**Model** DEFENDER 110 1987 onwards  
**Page** AFHXMA3A

**BRAKES - HANDBRAKE CABLE**

III. Part No.	Description	Qty	Remarks
<b>Upto VIN 455961</b>			
NRC9461	Clip anti rattle RHS	1	
AFU1350	Monobolt-RHS	1	
AEU1446	Clip anti rattle LHS	1	
SE105161	Screw LHS	1	
WL105001L	Washer spring LHS	1	
NH105041	Nut LHS	1	
<b>From VIN 455962</b>			
AEU1446	Clip	1	
78248	Rivet	1	





## MASTER INDEX

	PAGES
INTRODUCTION PAGES	1 - 7
ALPHABETICAL INDEX	8 - 16
ENGINE	17 - 66
ENGINE	67 - 119
ENGINE	120 - 166
ENGINE	167 - 209
ENGINE	210 - 245
ENGINE	246 - 299
GEARBOX	300 - 326
GEARBOX	327 - 344
GEARBOX	345 - 359
TRANSFER BOX	360 - 378
TRANSFER BOX	379 - 397
AXLES AND SUSPENSION	398 - 444
STEERING	445 - 471
VEHICLE AND ENGINE CONTROLS	472 - 486
BRAKES	487 - 517
FUEL SYSTEM AND AIR CLEANER	518 - 579
EXHAUST SYSTEM	580 - 593
COOLING/HEATING	594 - 637
COOLING/HEATING	638 - 641
COOLING/HEATING	642 - 649
COOLING/HEATING	650 - 655
COOLING/HEATING	656 - 666
BODY ELECTRICAL	667 - 740
BODY AND CHASSIS	741 - 909
INTERIOR TRIM	910 - 955
SEATS	956 - 1036
STOWAGE	1037 - 1046
ACCESSORIES - PAINTS	1047 - 1074
NUMERICAL INDEX	1076 - 1151

## GROUP J

## FUEL SYSTEM AND AIR CLEANER

FUEL SYSTEM AND AIR CLEANER	
MAIN FUEL TANK	520 - 521
EXTRA FUEL TANK - PICK UP	522 - 523
EXTRA FUEL TANK - STATION WAGON	524 - 525
FUEL FILLER - REAR AND SIDE TANK	526 - 527
SEPARATOR & FILTER - 4 CYL PETROL	528 - 529
FILTER AND PIPES - V8 PETROL	530
REAR PIPES - SINGLE TANK - PETROL	531
TWIN TANKS-PETROL-4 CYL AND V8	532
PIPES,SOLENOID-TWIN TANKS-PETROL	533
PIPES - DIESEL AND DIESEL TURBO	534
PIPES - 200TDI - FROM VIN HA455646	535
PIPES - DIESEL - WITHOUT SEDIMENTOR	536 - 539
PIPES - DIESEL - WITH - SEDIMENTOR	540
PIPES - DIESEL - WITH SEDIMENTOR	541 - 542
FUEL PIPES - 300TDI	543
TAPS - DUAL TANKS OPTION - DIESEL	544 - 545
FILTER - DIESEL AND DIESEL TURBO	546
FILTER - 200TDI	547
FILTER - 300TDI	548
SEDIMENTORS - OPTIONAL - DIESEL	549
AIR CLEANER - 4 CYLINDER PETROL	550
AIR CLEANER - V8 PETROL	551 - 552
AIR INLETS V8 STROMBERG CARBS NON DETOXED	553
AIR INLETS V8 SU CARBS NON DETOXED	554
AIR TEMPERATURE CONTROL	555 - 558
AIR CLEANER - DIESEL NATURALLY ASPIRATED	559 - 560
AIR CLEANER - DIESEL TURBO	561 - 562
AIR CLEANER - 200TDI	563
AIR CLEANER - 300TDI	564 - 565
AIR INTAKE - DIESEL TURBO & 200TDI	566
AIR INTAKE - 300TDI	567
RAISED AIR CLEANER - 4 CYLINDER	568
RAISED AIR CLEANER - 200TDI	569
EVAPORATIVE LOSS - 4 CYLINDER PETROL	570
EVAPORATIVE LOSS - V8 PETROL	571 - 572
EVAPORATIVE LOSS - HCPU - SINGLE FUEL TANK	573
EVAP LOSS - STATION WAGON - SINGLE FUEL TANK	574
EVAP LOSS - STATION WAGON - SINGLE TANK	575





DEFENDER 110 1987 onwards

519

FUEL SYSTEM AND AIR CLEANER

EVAPORATIVE LOSS - HCPU	576
EVAP LOSS - REGULAR AND STATION WAGON	577
EVAPORATIVE LOSS - DEFENDER 130	578
EVAP LOSS SINGLE FUEL TANK - DEFENDER 130	579



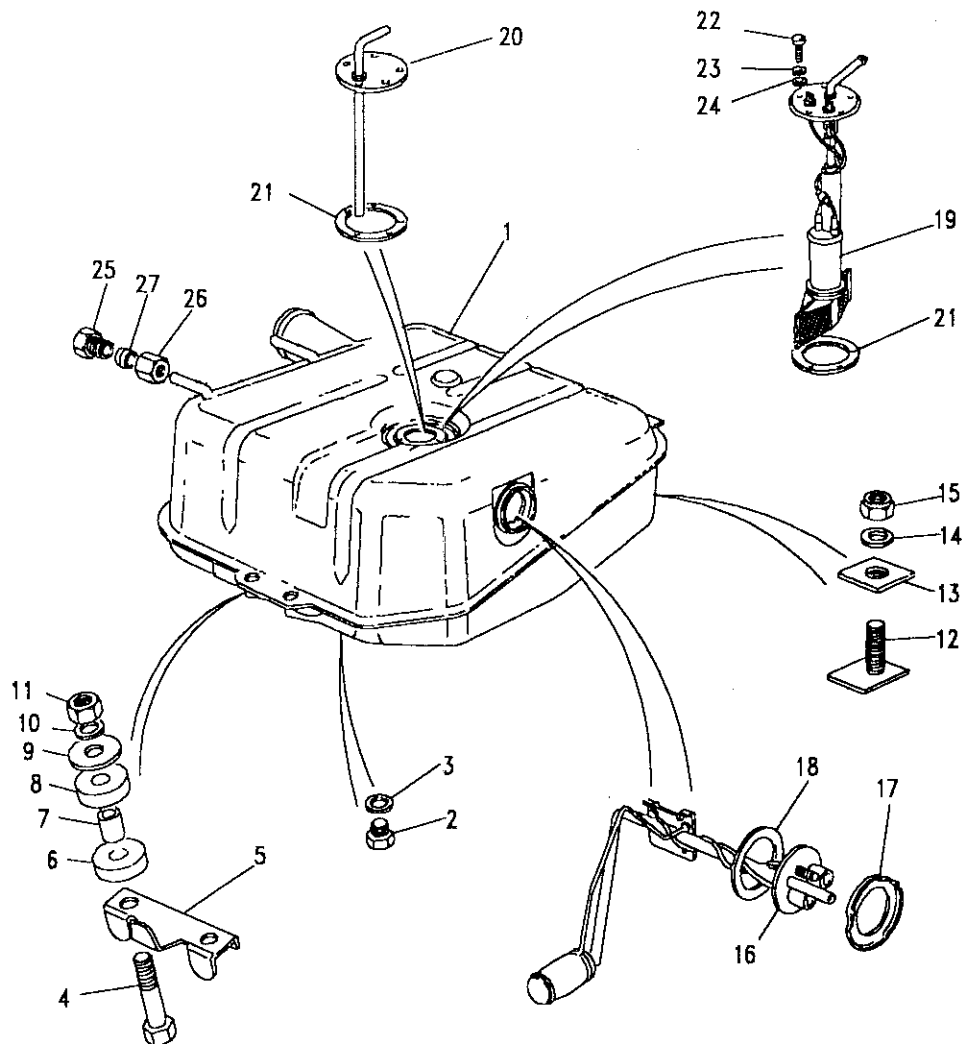




Model DEFENDER 110 1987 onwards  
 Page AFJXAA1A

FUEL SYSTEM - MAIN FUEL TANK

III. Part No.	Description	Qty	Remarks
1	NTC2017	1	18 gallon
2	NRC62	1	
3	243958	1	
4	BH110091L	2	
5	NRC6097	1	
6	500447	2	
7	NRC4757	2	
8	500447	2	
9	850641	2	
10	WL110001L	2	
11	NH110041L	2	
12	NTC2681	2	
13	NTC2837	2	
14	WA108051L	2	
15	NY108041L	2	



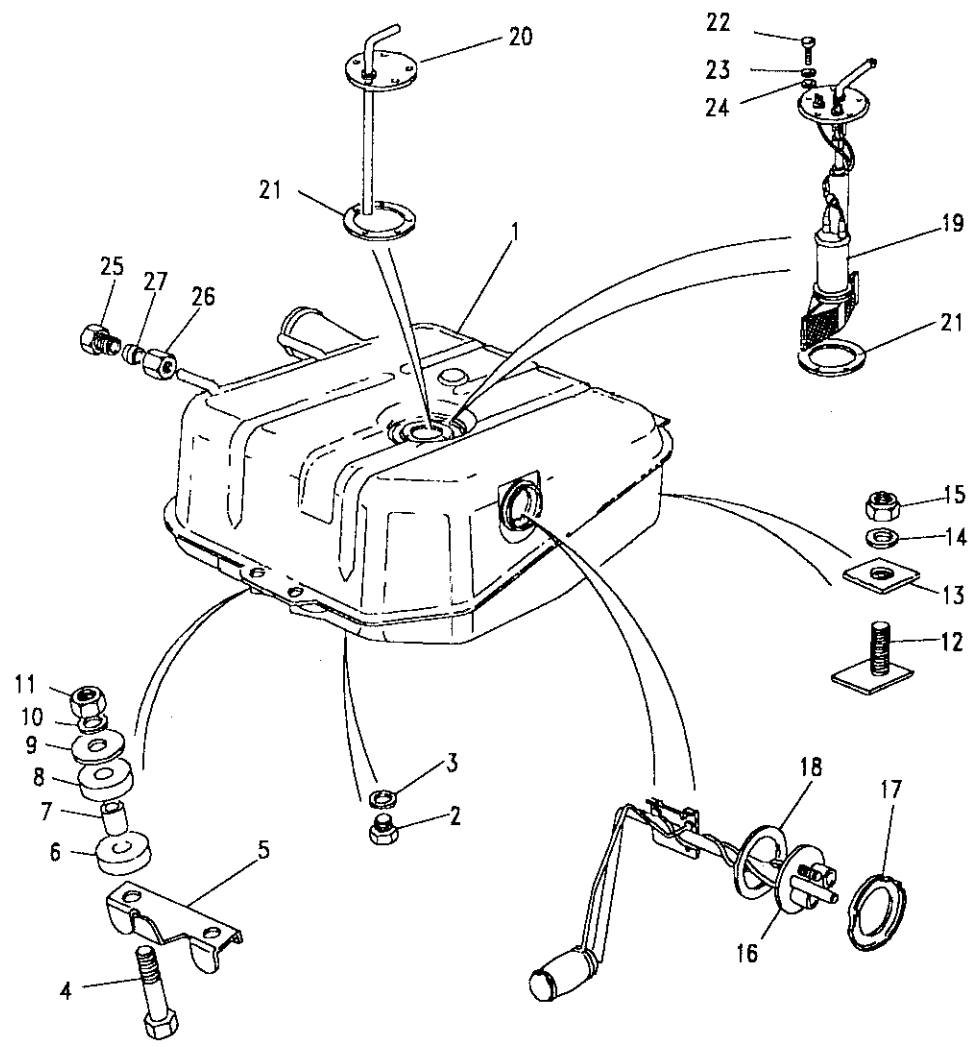


**Model** DEFENDER 110 1987 onwards  
**Page** AFJXAA1A

**FUEL SYSTEM - MAIN FUEL TANK**

III. Part No.	Description	Qty	Remarks
16 PRC8707	Fuel level unit - Petrol	1	Note(1&2)
STC1482	Fuel level unit - Petrol	1	Note(1&3)
AMR1496	Fuel level unit -pre wired	1	Petrol
PRC8463	Fuel level unit	1	From JA915412
AMR1495	Fuel level unit -pre wired	1	Diesel
17 ARA1501L	Ring locking	1	Upto JA915357
18 519965	Ring sealing	1	Diesel
19 PRC7020	Pump fuel	1	Petrol
RTC6545	Connector	1	Petrol Upto VIN 345560 only
20 NTC2156	Pipe fuel return	1	Diesel
21 PRC5852	Ring sealing	1	
22 SE105121L	Screw	5	
23 WL105001L	Washer spring	5	
24 WA105001L	Washer plain	5	
25 NTC1612	Plug	1	Diesel
26 NRC9770	Nut union	1	Diesel
27 NRC9771	Olive	1	Diesel

Note(1) Up to JA915411  
 Note(2) Without low fuel warning light.  
 Note(3) With low fuel warning light.

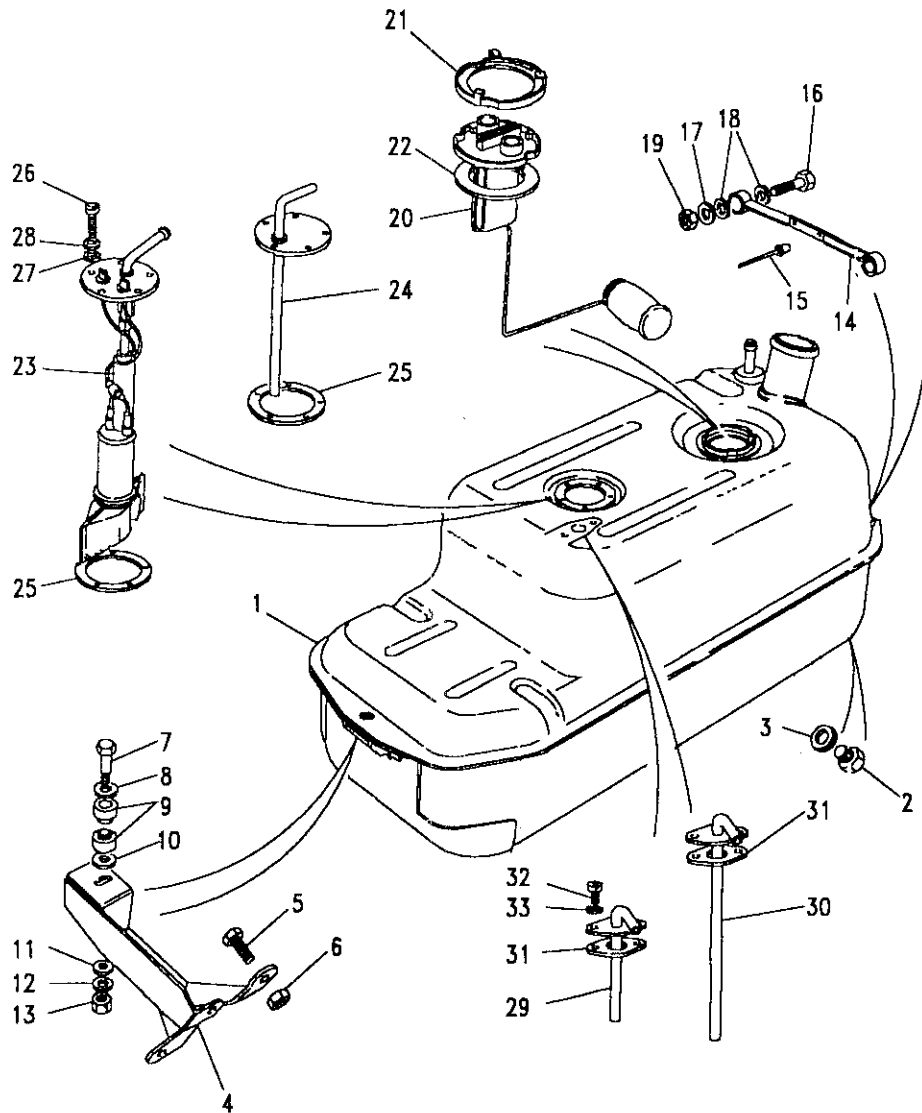




**Model** DEFENDER 110 1987 onwards  
**Page** AFJXAA2A

**FUEL SYSTEM - EXTRA FUEL TANK - PICK UP**

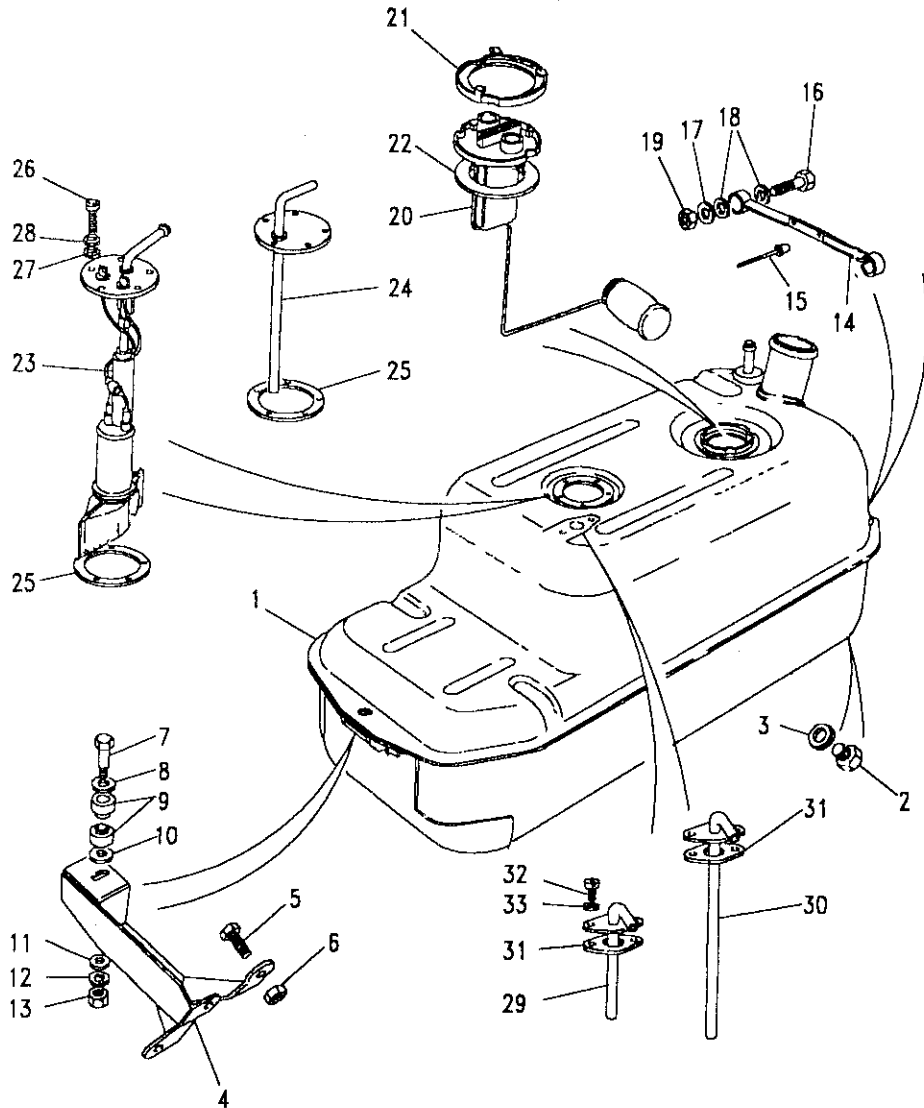
III. Part No.	Description	Qty	Remarks
1	NTC2089	1	15 gallon
2	NRC62	1	
3	243958	1	
<b>Front fixings</b>			
4	NRC9474	1	Mounting Plate
5	FS108251L	3	Bolt
6	NY108041L	3	Nut
7	NRC4765	1	Bolt
8	2265L	1	Washer plain
9	90508545	2	Bush rubber
10	WP185L	1	Washer plain
11	WA108051L	1	Washer plain
12	WL108001L	1	Washer spring
13	FN108041L	1	Nut
<b>Rear fixings</b>			
14	NRC6526	1	Spacer
15	RA608177L	2	Rivet
16	SH108351L	2	Bolt
17	WL108001L	2	Washer spring
18	WC108051L	4	Washer plain
19	FN108041L	2	Nut





Model DEFENDER 110 1987 onwards  
Page AFJXAA2A

FUEL SYSTEM - EXTRA FUEL TANK - PICK UP



III. Part No.	Description	Qty	Remarks
20	PRC8708	1	Fuel level unit
21	ARA1501L	1	Ring locking
22	ARA1502L	1	Ring sealing
23	PRC7018	1	Pump fuel
	RTC6545	1	Connector
24	NTC2180	1	Elbow and pipe
25	PRC5852	1	Ring sealing
26	SE105121L	5	Screw
27	WL105001L	5	Washer spring
28	WA105001L	5	Washer plain
29	NRC9543	1	Pipe fuel return
30	NRC9562	1	Pipe fuel return
31	267837	1	Washer joint
	ESR3277	1	Washer joint
32	3890	2	Screw
33	3101	2	Washer plain





Model DEFENDER 110 1987 onwards

Page AFJXAA3A

FUEL SYSTEM - EXTRA FUEL TANK - STATION WAGON

III. Part No.

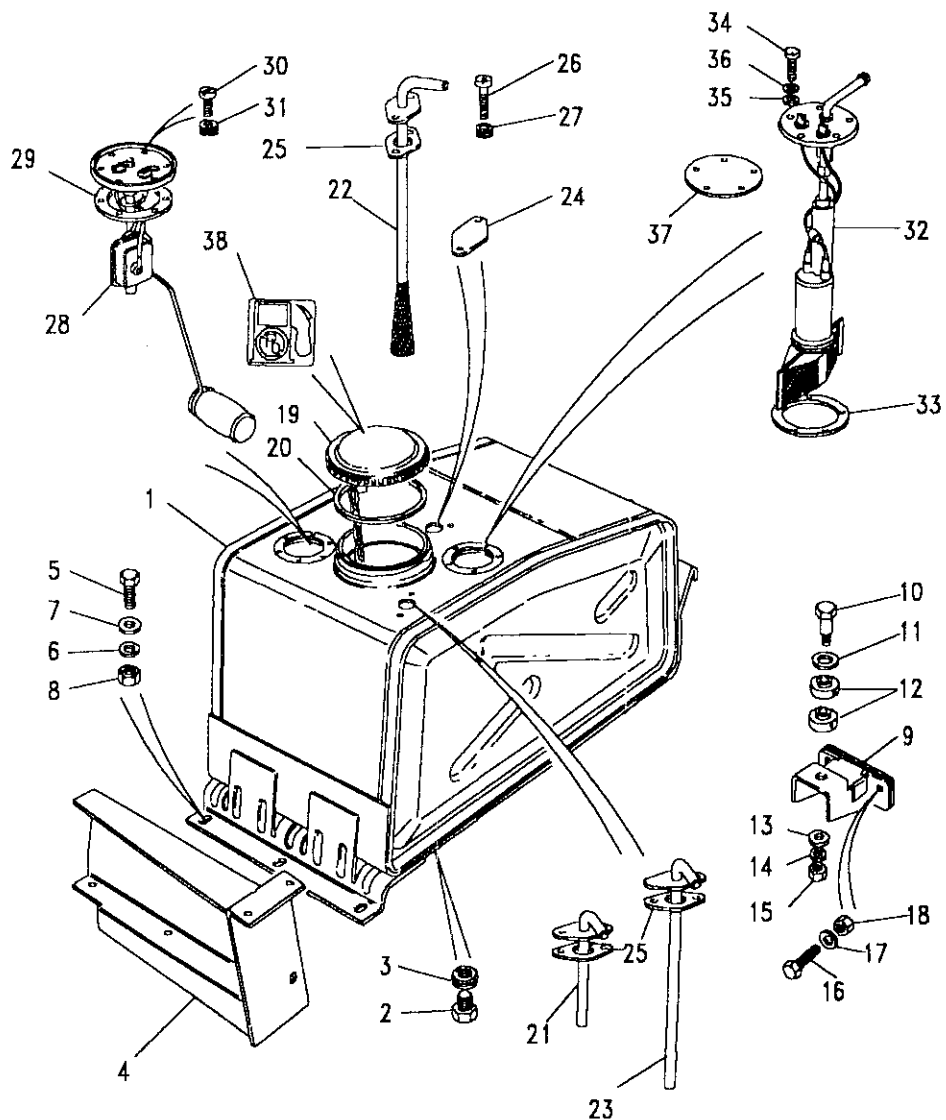
Part No.	Description	Qty	Remarks
1	NTC2110	1	10 gallon
2	NRC62	1	
3	243958	1	Washer
4	NRC9138	1	Bracket mounting-front
	NTC5351	1	Bracket mounting-front

Front fixings

5	FS108251L	3	Bolt
6	WL108001L	3	Washer spring
7	WA108051L	3	Washer plain
8	FN108041L	3	Nut
9	NRC6558	1	Bracket mounting-rear

Rear fixings

10	NRC4765	1	Bolt
11	2265L	1	Washer plain
12	90508545	2	Bush rubber
13	WC108051L	1	Washer plain
14	WL108001L	1	Washer spring
15	FN108041L	1	Nut
16	FS108251L	2	Bolt
17	WL108001L	2	Washer spring
18	FN108041L	2	Nut

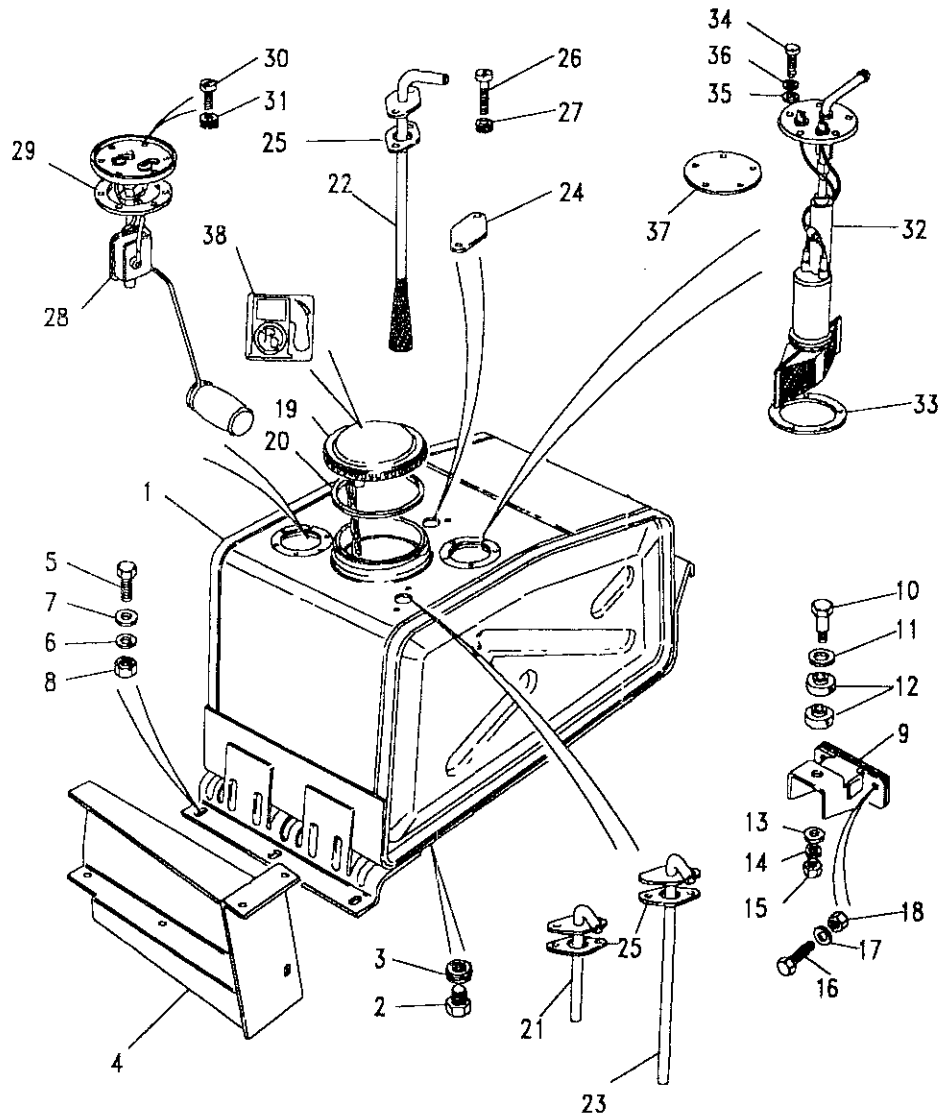




**Model** DEFENDER 110 1987 onwards  
**Page** AFJXAA3A

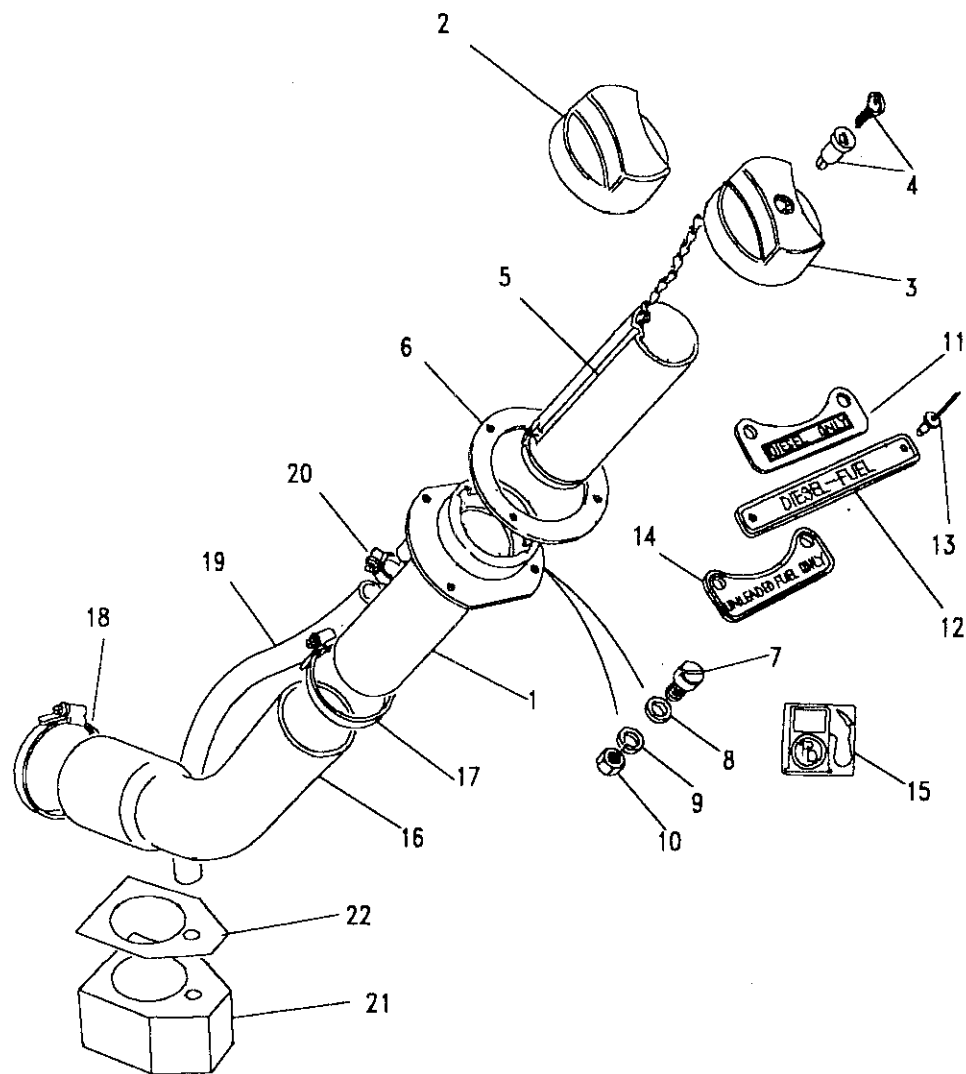
**FUEL SYSTEM - EXTRA FUEL TANK - STATION WAGON**

Ill. Part No.	Description	Qty	Remarks
19 569006	Cap fuel filler	1	
NTC3391	Cap fuel filler	1	Non vented
20 NRC6836	Washer sealing	1	
21 NRC9543	Pipe fuel return	1	Petrol
22 NRC5414	Pipe fuel feed	1	Diesel
23 NRC9678	Pipe fuel return	1	Diesel
24 NTC2334	Plate blanking	1	Petrol
25 267837	Washer joint	2	
26 3972	Screw	4	
27 3101	Washer spring	4	
28 PRC3098	Fuel level unit	1	
29 RTC1148	Washer	1	
30 3890	Screw	6	
31 3101	Washer spring	6	
32 PRC7019	Pump fuel	1	Petrol
RTC6545	Connector	1	Petrol Upto VIN 345761 only
33 PRC5852	Ring sealing	1	Petrol
34 SE105121L	Screw	5	Petrol
35 WL105001L	Washer spring	5	Petrol
36 WA105001L	Washer plain	5	Petrol
37 NTC2333	Plate blanking	1	Diesel
38 NTC7503	Label unleaded fuel	1	4 Cylinder From VIN 441401 V8 From VIN 441412



**Model** DEFENDER 110 1987 onwards  
**Page** AFJXCA1A

**FUEL SYSTEM - FUEL FILLER - REAR AND SIDE TANK**



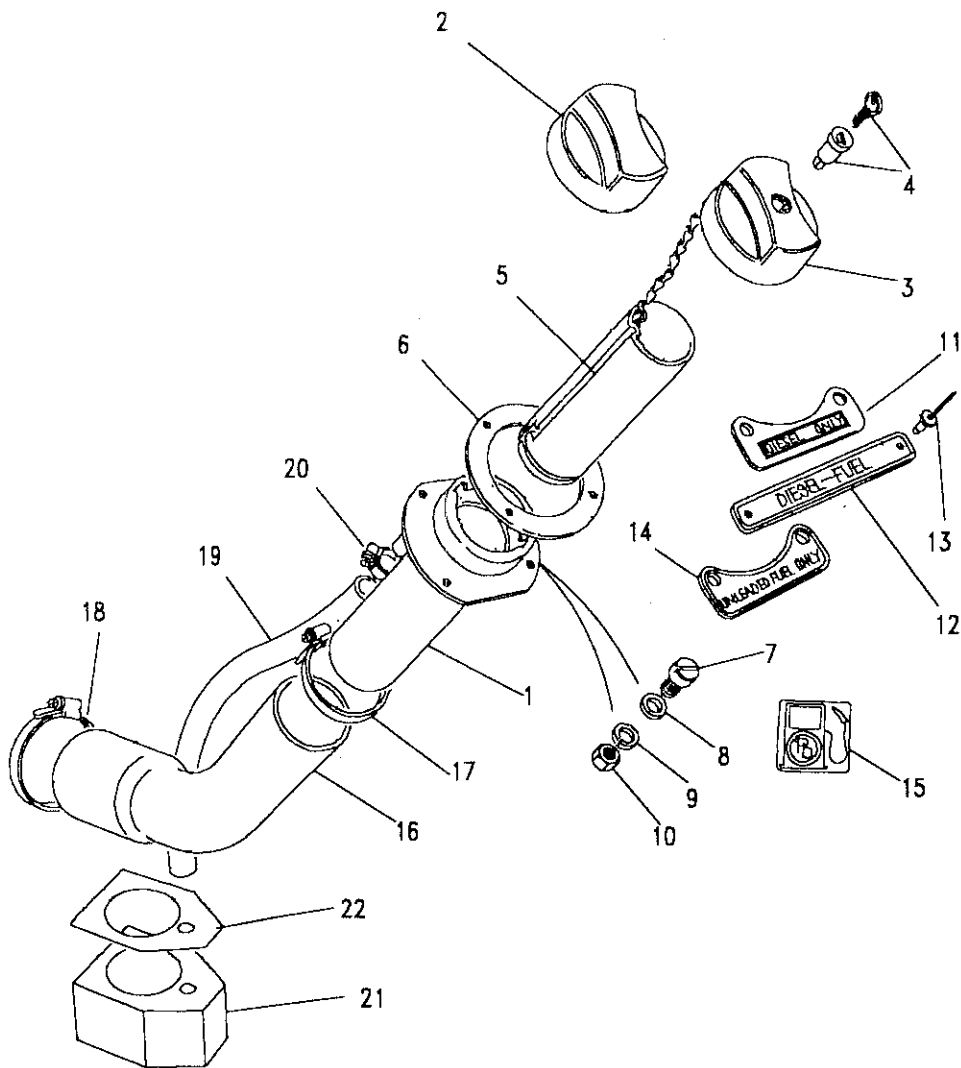
III. Part No.	Description	Qty	Remarks
1	NTC2676 Filler fuel	1	
2	NTC2690 Cap fuel filler	1	Unloaded
3	RTC4740 Cap fuel filler	1	Non locking-vented 2 lug black
	RTC4741 Cap fuel filler	1	Locking-vented 2 lug black
4	RTC3022 Barrel lock and keys	1	
5	NTC2655 Extension tube	1	
6	NTC2229 Seal	1	Upto VIN JA910669
	ESR1650 Seal	1	From VIN JA910670
7	77941 Screw	4	
8	WC702101 Washer plain	4	
9	WL700101 Washer spring	4	
10	RTC608 Nut	4	
11	502951 Label	1	
12	MTC4320 Label	1	HCPU
13	RU612503 Rivet	2	HCPU
14	NTC2914 Label unleaded fuel	1	4 Cylinder Upto VIN 441400 V8
15	NTC7503 Label unleaded fuel	1	Upto VIN 441411 4 Cylinder From VIN 441401 V8 From VIN 441412



**Model** DEFENDER 110 1987 onwards  
**Page** AFJXCA1A

**FUEL SYSTEM - FUEL FILLER - REAR AND SIDE TANK**

Ill. Part No.	Description	Qty	Remarks
<b>Defender 110</b>			
16 NTC2337	Hose fuel filler	1	Main tank
NTC2699	Hose fuel filler	1	Side tank
<b>Defender 130</b>			
16 RRC2593	Hose fuel filler	1	Main tank-HCPU Upto 25-9-88
RRC4418	Hose fuel filler	1	Main tank-HCPU From 26-9-88
17 594753	Clip hose	2	Main tank
594753	Clip hose	1	Side tank
18 STC128	Clip hose	1	Side tank
19 ESR1287	Hose breather	1	Main tank
543767	Hose breather	1	Main tank HCPU
543765	Hose breather	1	Side tank
20 572839	Clip hose	2	Side tank
21 504233	Seal-filler pipe	1	Side Tank
22 504673	Joint washer-filler pipe	2	Side Tank



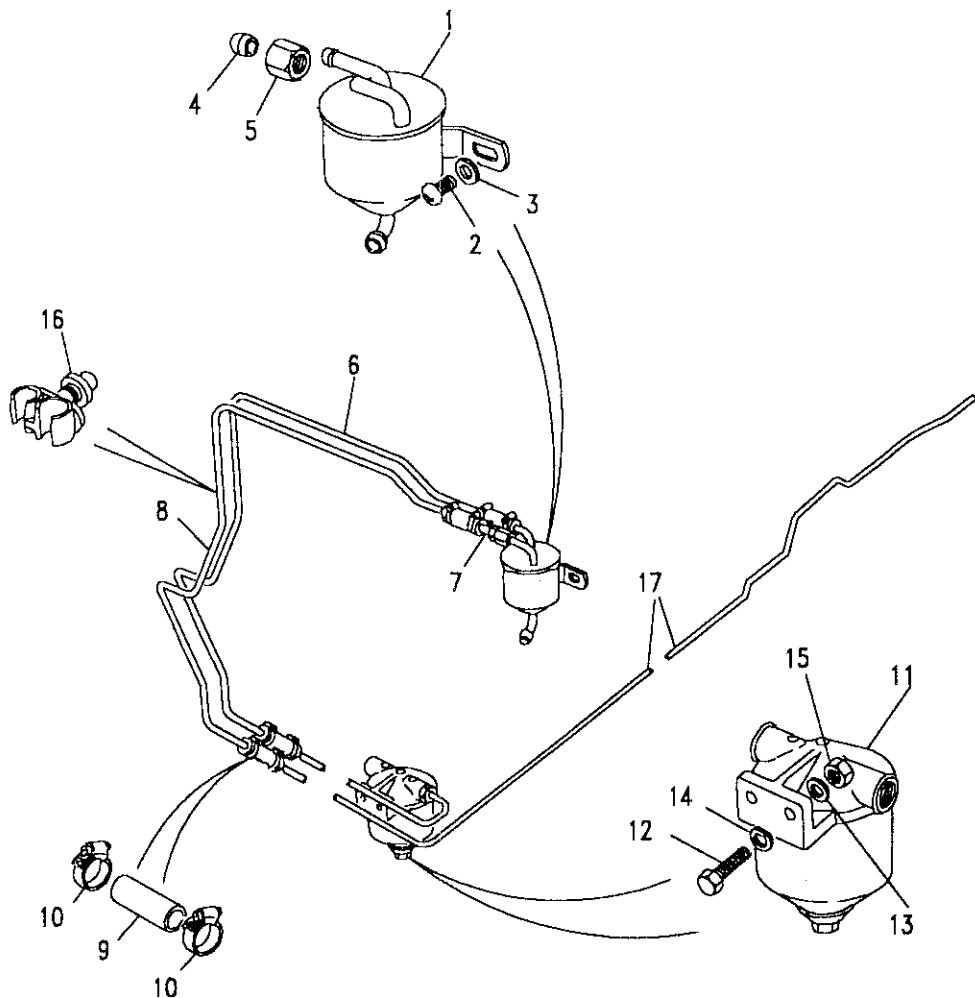


**Model** DEFENDER 110 1987 onwards

**Page** AFJXE1A

**FUEL SYSTEM - SEPARATOR & FILTER - 4 CYL PETROL**

III. Part No.	Description	Qty	Remarks
1	NRC9772 Separator vapour	1	
2	AB614061L Screw	2	
3	WJ106001L Washer	2	
4	NRC9771 Olive	1	Upto VIN 296311
	NRC9771 Olive	2	From VIN 296312
5	NRC9770 Nut union	1	Upto VIN 296311
	NRC9770 Nut union	2	From VIN 296312
	NTC2069 Pipe fuel feed	1	Upto VIN 296311
	-filter to hose		
6	NTC2224 Pipe fuel feed	1	Upto VIN 296311
	-hose to vap separator		
	NTC3866 Pipe fuel feed	1	From VIN 296312
	-filter to vap separator		
7	NTC2223 Restrictor	1	Upto VIN 296311
<b>Defender 110</b>			
8	NTC2073 Pipe fuel spill	1	Upto VIN 296311
	-vap separator to hose		
	NTC3867 Pipe fuel-spill	1	From VIN 296312
<b>Defender 130</b>			
8	RRC2486 Pipe fuel-spill	1	
9	NTC2876 Hose	4	Upto VIN 296311
10	CN100168L Clip hose	8	Upto VIN 296311
	NTC2876 Hose	2	From VIN 296312
	CN100168L Clip hose	4	From VIN 296312





DEFENDER 110 1987 onwards

529

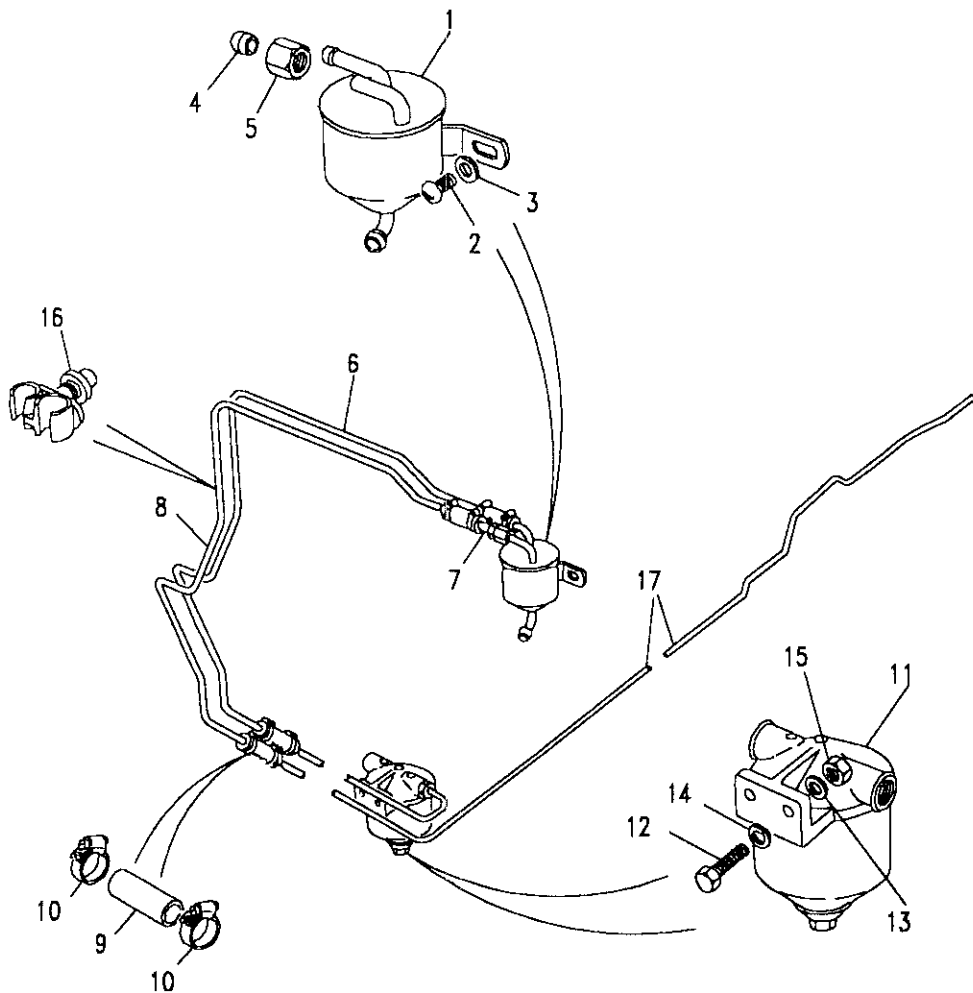
FUEL SYSTEM AND AIR CLEANER

Model DEFENDER 110 1987 onwards

Page AFJXE1A

FUEL SYSTEM - SEPARATOR & FILTER - 4 CYL PETROL

III. Part No.	Description	Qty	Remarks
11	NRC9786	1	
	JS660L	1	
12	FS106201L	2	
13	WA106041L	2	
14	WL106001L	2	
15	NH106041L	2	
16	79158	4	Upto VIN 296311
	NRC5415	4	From VIN 296312
17	NTC2072	1	

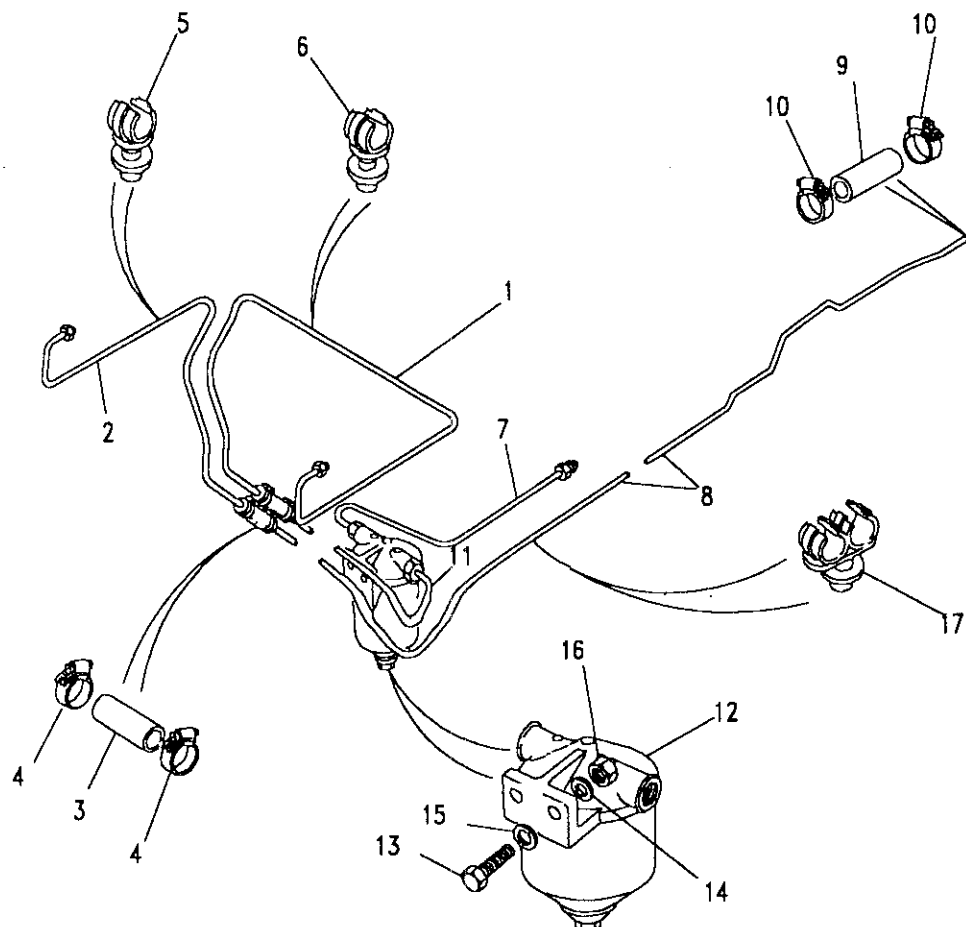


Model DEFENDER 110 1987 onwards

Page AFJXEA2A

FUEL SYSTEM - FILTER AND PIPES - V8 PETROL

III. Part No.	Description	Qty	Remarks
1 NTC3692	Pipe fuel-feed	1	
<b>Defender 110</b>			
2 NTC2122	Pipe fuel-spill	1	
<b>Defender 130</b>			
2 RRC2488	Pipe fuel-spill	1	Upto 25-9-88
RRC6149	Pipe fuel-spill	1	With SU Carbs From 26-9-88
3 NTC2876	Hose	2	
4 CN100168L	Clip hose	2	
5 79122	Pipe clip	1	
6 79121	Pipe clip	3	
7 NTC2224	Pipe fuel-feed	1	
8 NTC2072	Pipe fuel spill	1	
9 NTC2876	Hose	2	
10 CN100168L	Clip hose	4	
11 NTC2069	Pipe fuel-feed	1	
12 NRC9786	Filter fuel	1	
JS660L	Element	1	
13 FS106201L	Flange screw	2	
14 WA106041L	Washer plain	2	
15 WL106001L	Washer spring	2	
16 NH106041I	Nut	2	
17 79158	Pipe clip-double	4	





DEFENDER 110 1987 onwards

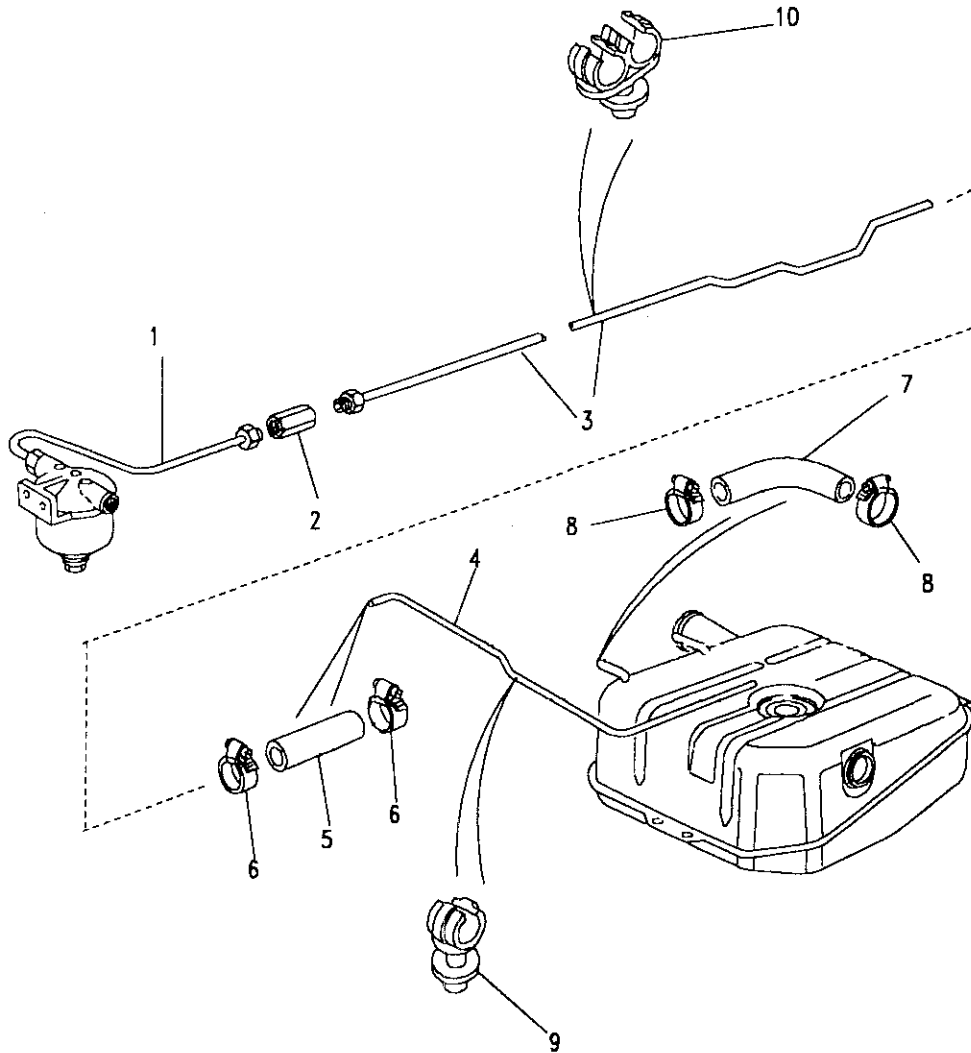
531

FUEL SYSTEM AND AIR CLEANER

**Model** DEFENDER 110 1987 onwards  
**Page** AFJXE3A

**FUEL SYSTEM - REAR PIPES - SINGLE TANK - PETROL**

III. Part No.	Description	Qty	Remarks
1 NTC2225	Pipe fuel-feed	1	
2 NTC2227	Connector	1	
<b>Defender 110</b>			
3 NTC2263	Pipe fuel-feed	1	
<b>Defender 130</b>			
3 RRC2487	Pipe fuel-feed	1	V8
RRC6150	Pipe fuel-feed	1	Upto 25-9-88 V8 SU Carbs From 25-9-88
4 NTC6750	Pipe fuel-feed	1	Includes valve
5 NRC9771	Olive	1	
6 NRC9770	Nut union	1	
7 NTC2876	Hose	1	
8 CN100168L	Clip hose	2	
9 ETC5340	Hose	1	
10 CN100168L	Clip hose	2	
11 79122	Pipe clip-single	4	
12 79158	Pipe clip-double	6	

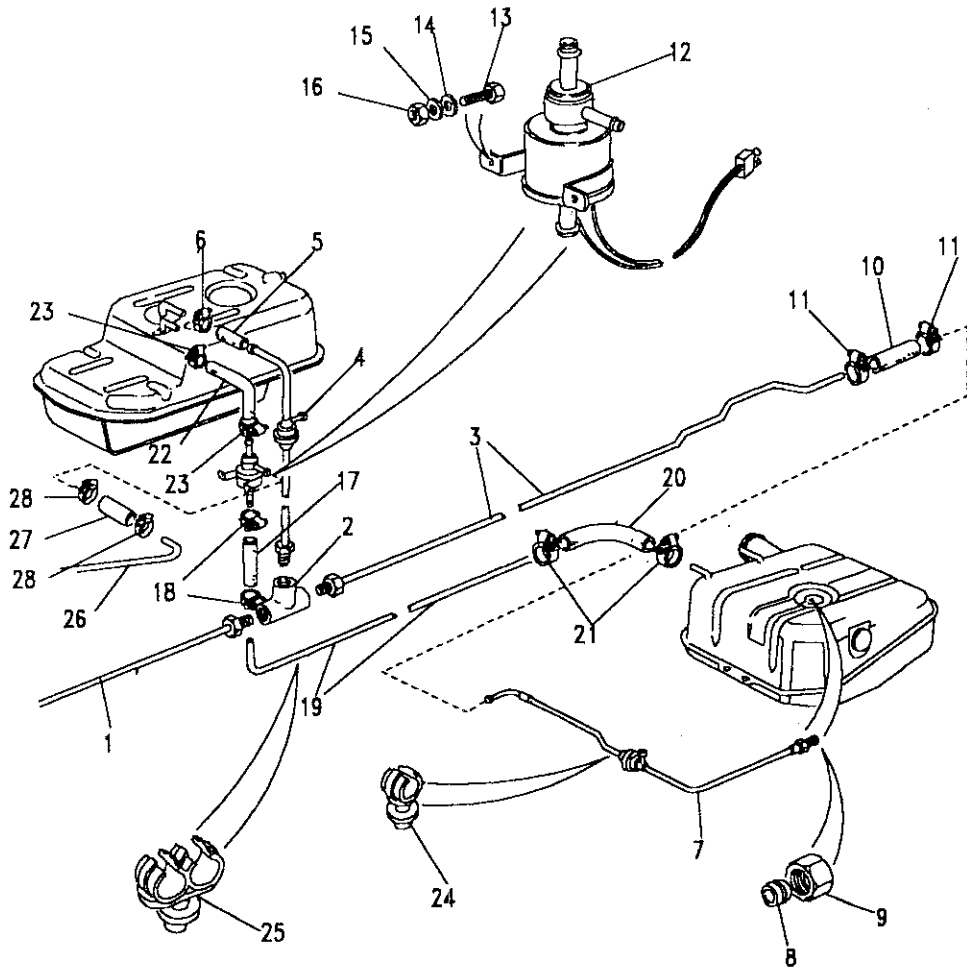




Model DEFENDER 110 1987 onwards  
 Page AFJXE4A

FUEL SYSTEM - TWIN TANKS-PETROL-4 CYL AND V8

III. Part No.	Description	Qty	Remarks
1	NTC2225	1	Pipe fuel-feed
2	NTC2093	1	Tee piece
3	NTC2263	1	Pipe fuel-feed
4	NTC6752	1	Pipe fuel-feed
	NTC6751	1	Pipe fuel-feed
5	NTC2876	1	Hose
6	CN100168L	2	Clip hose
7	NTC6750	1	Pipe fuel-feed
8	NRC9771	1	Olive
9	NRC9770	1	Nut union
10	NTC2876	2	Hose
11	CN100168L	4	Clip hose

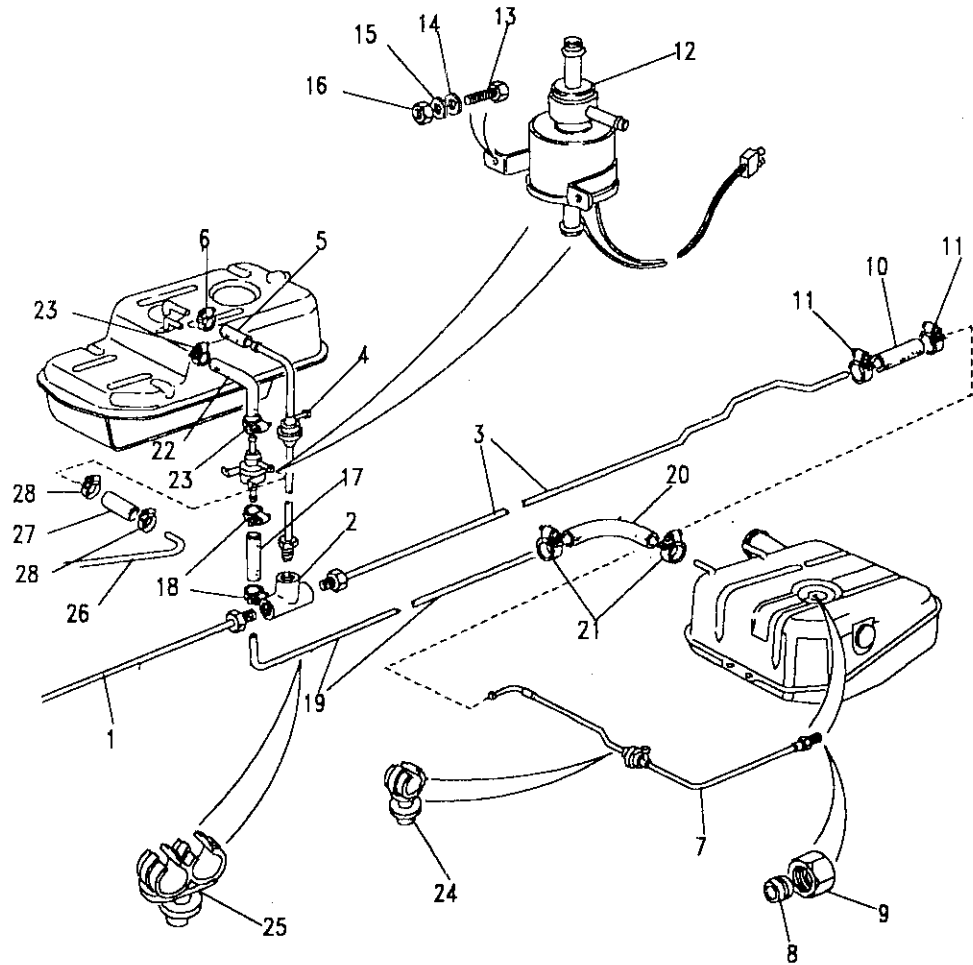




**Model** DEFENDER 110 1987 onwards  
**Page** AFJXE4A

**FUEL SYSTEM - PIPES, SOLENOID-TWIN TANKS-PETROL**

Ill. Part No.	Description	Qty	Remarks
12	PRC5543 Solenoid	1	
13	SH104201L Screw	2	
14	WA104001L Washer plain	2	
15	WL104001L Washer spring	2	
16	NH104041L Nut	2	
17	NTC2876 Hose	1	
18	CN100168L Clip hose	2	
<b>Defender 110</b>			
19	NTC2099 Pipe fuel-spill	1	
<b>Defender 130</b>			
19	RRC6716 Pipe fuel-spill	1	From October 1989
20	ETC5340 Hose	1	
21	CN100168L Clip hose	2	
22	NTC2097 Hose	1	
23	CN100168L Clip hose	2	
24	79122 Pipe clip	4	
25	79158 Pipe clip-double	6	
26	NTC2096 Pipe fuel-spill	1	
27	NTC2876 Hose	1	
28	CN100168L Clip hose	2	



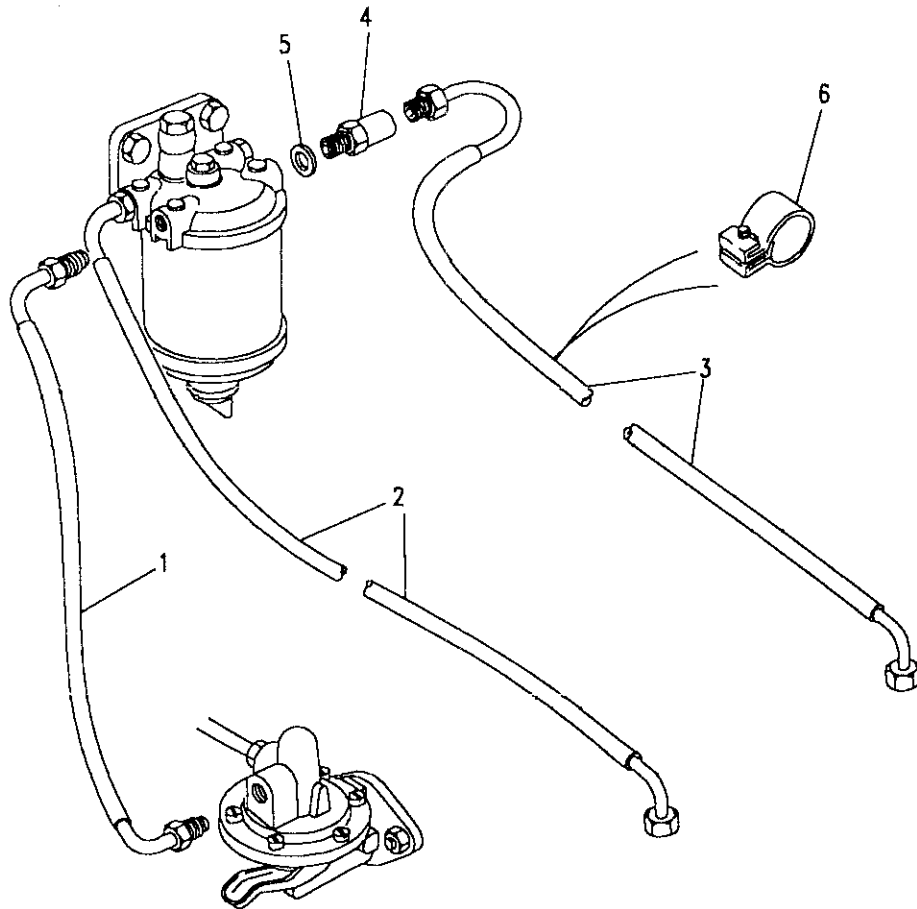


**Model** DEFENDER 110 1987 onwards

**Page** AFJXEC1A

**FUEL SYSTEM - PIPES - DIESEL AND DIESEL TURBO**

Ill. Part No.	Description	Qty	Remarks
<b>Lift pump to filter - Diesel</b>			
1 ETC6903	Pipe fuel	1	Upto 12J41642C
ERR244	Pipe fuel	1	From 12J41643C
<b>Lift pump to filter - Diesel turbo</b>			
1 ETC6903	Pipe fuel	1	Upto 19J20835C
ERR244	Pipe fuel	1	From 19J20836C
<b>Filter to DPS pump</b>			
2 ETC6901	Pipe fuel	1	
<b>DPS pump to filter</b>			
3 ETC6902	Pipe fuel	1	
4 AAU3509	Valve non return	1	
5 517706	Joint Washer	1	
6 578293	Clip hose	6	Sweden





DEFENDER 110 1987 onwards

535

# FUEL SYSTEM AND AIR CLEANER

**Model** DEFENDER 110 1987 onwards

**Page** AFJXEC2A

**FUEL SYSTEM - PIPES - 200TDI - FROM VIN HA455646**

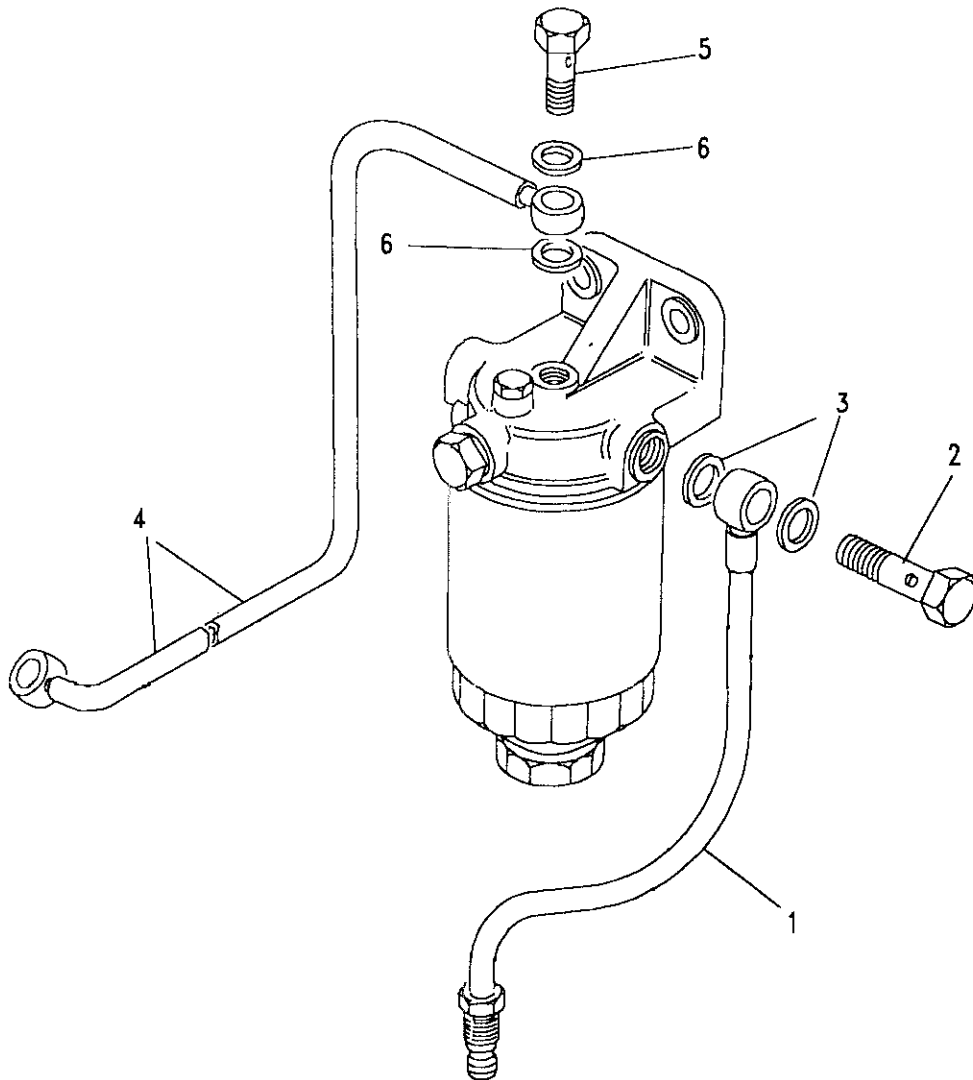
**III. Part No. Description Qty Remarks**

**Lift pump to filter**

1	ESR394	Pipe fuel	1
2	NTC3346	Bolt banjo	2
3	ESR354	Washer copper	4

**Filter to fuel injection pump**

4	ESR395	Pipe fuel	1
5	NTC3346	Bolt banjo	1
6	ESR354	Washer copper	2



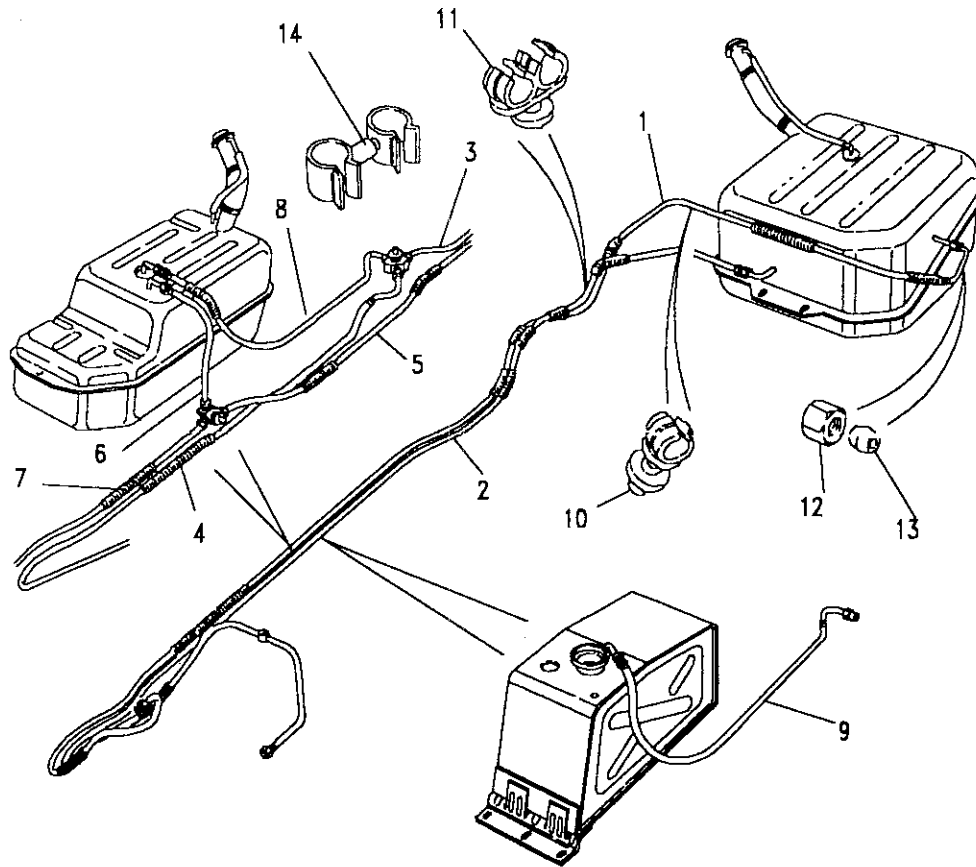




Model DEFENDER 110 1987 onwards  
 Page AFJXEC3A

FUEL SYSTEM - PIPES - DIESEL - WITHOUT SEDIMENTOR

III. Part No.	Description	Qty	Remarks
<b>Defender 110 - Rear tank to lift pump</b>			
1 NRC7979	Pipe fuel	1	Upto VIN 450724
ESR246	Pipe fuel	1	From VIN 450725
<b>Defender 130 - Rear tank to lift pump</b>			
1 RRC2644	Pipe fuel	1	
<b>Spill rail to filter to rear tank</b>			
2 NTC2157	Pipe fuel	1	Upto VIN 328280
<b>Spill rail to filter</b>			
NTC4604	Pipe fuel	1	From VIN 328281
<b>Defender 110 - Filter to rear tank</b>			
NTC3491	Pipe fuel	1	From VIN 328281
<b>Defender 130 - Filter to rear tank</b>			
RRC2645	Pipe fuel	1	





Model DEFENDER 110 1987 onwards

Page AFJXEC3A

FUEL SYSTEM - PIPES - DIESEL - WITHOUT SEDIMENTOR

III. Part No. Description Qty Remarks

Defender 110 - Spill rail to rear tank  
NTC5729 Pipe fuel 1 200Tdi

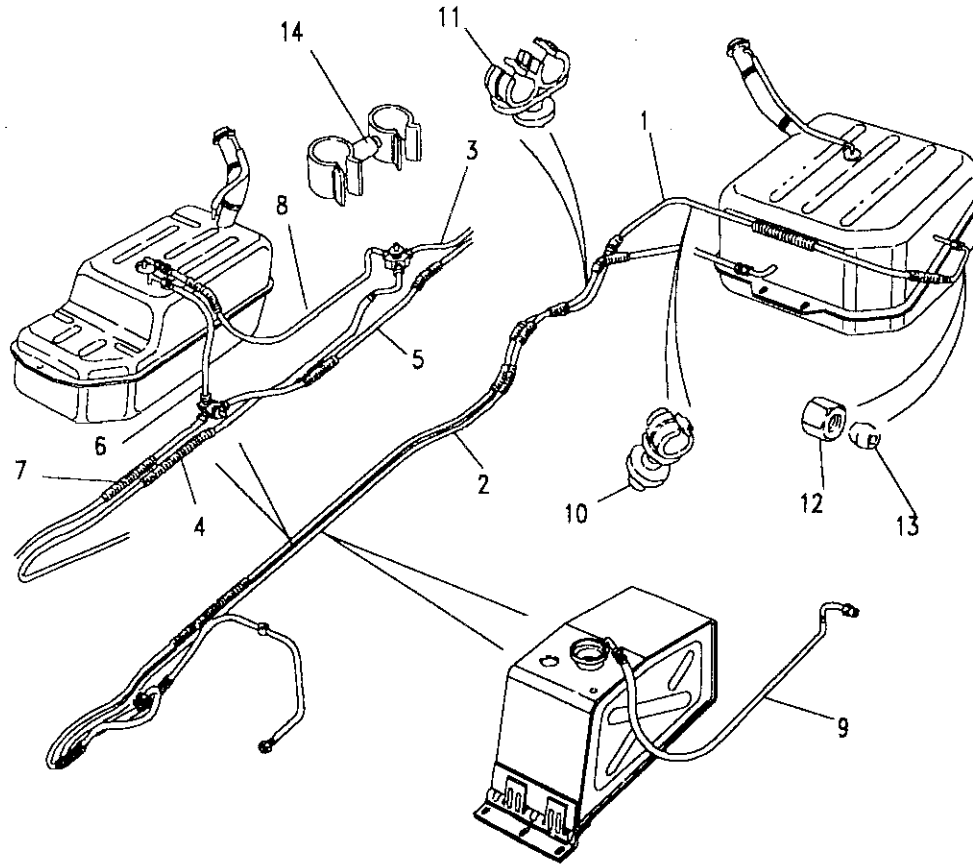
Defender 130 - Spill rail to rear tank  
ESR352 Pipe fuel 1 200Tdi

ADDITIONAL FUEL TANK - OPTIONAL

Defender 110 - Rear tank to tap-feed  
3 NRC7893 Pipe fuel 1 Upto VIN 450722  
ESR247 Pipe fuel 1 From VIN 450723

Defender 130 - Rear tank to tap-feed  
3 RRC6745 Pipe fuel 1 From October 1989

Tap to lift pump-feed  
4 NRC8104 Pipe fuel 1

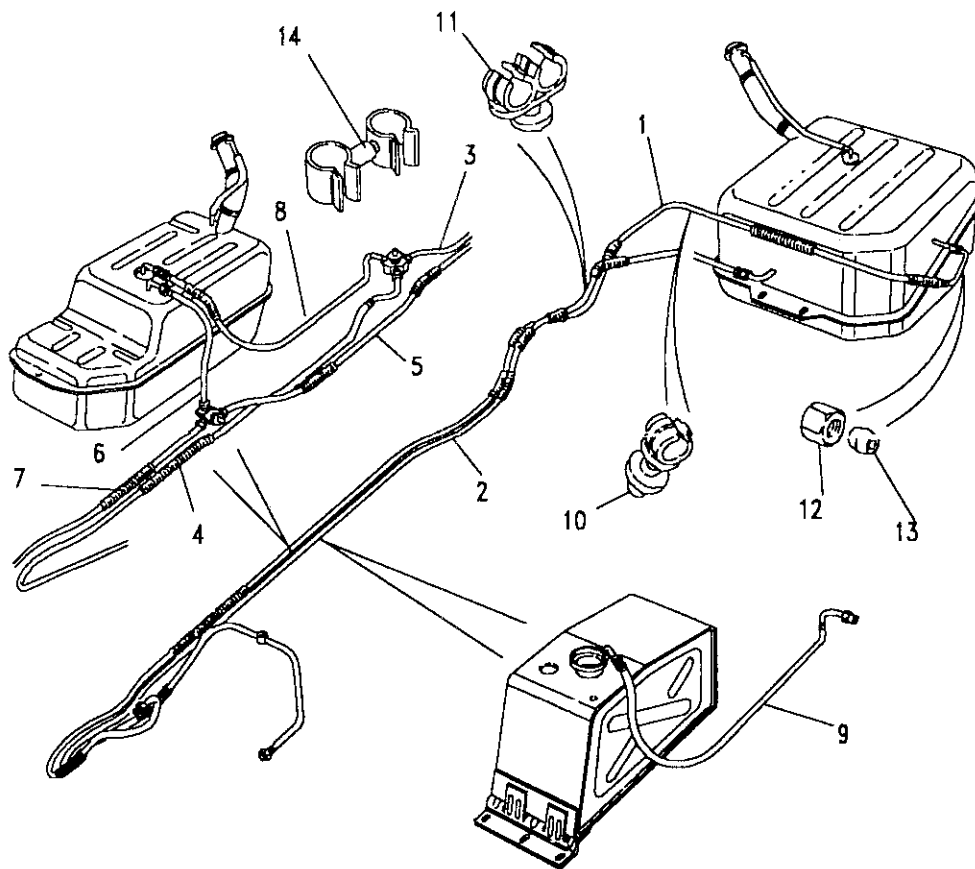




**Model** DEFENDER 110 1987 onwards  
**Page** AFJXEC3A

**FUEL SYSTEM - PIPES - DIESEL - WITHOUT SEDIMENTOR**

Ill. Part No.	Description	Qty	Remarks
Defender 110 - Tap to rear tank-spill 5 NTC2179	Pipe fuel	1	
Defender 130 - Tap to rear tank-spill 5 RRC6746	Pipe fuel	1	From October 1989
Side tank to tap-spill 6 NRC7310 NTC4596	Pipe fuel Pipe fuel	1 1	Upto VIN 328280 From VIN 328281
Spill rail to tap 7 NRC7351	Pipe fuel	1	Upto VIN 328280
Filter to tap NTC3489	Pipe fuel	1	From VIN 328281
Spill rail to tap NTC5750	Pipe fuel	1	200Tdi



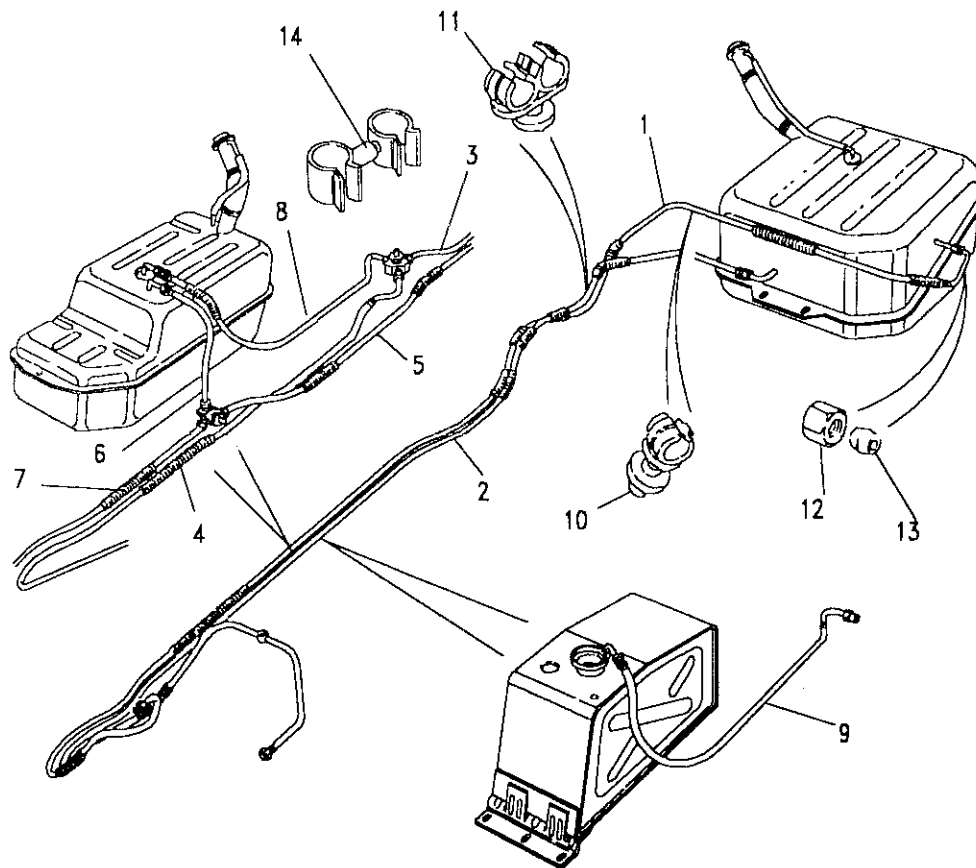


Model DEFENDER 110 1987 onwards

Page AFJXEC3A

## FUEL SYSTEM - PIPES - DIESEL - WITHOUT SEDIMENTOR

III. Part No.	Description	Qty	Remarks
<b>Side tank to tap-feed - Pick Up</b>			
8 NRC7303	Pipe fuel	1	Upto VIN 328280
NTC4595	Pipe fuel	1	From VIN 328281
<b>Side tank to tap-feed - Station Wagon</b>			
9 NRC8087	Pipe fuel	1	Upto VIN 328280
NTC4599	Pipe fuel	1	From VIN 328281
10 79121	Pipe clip-single	4	
78122	Pipe clip-single	1	
11 NRC5415	Pipe clip-double	7	
12 603431	Nut union-UNF	A/R	Upto VIN 328280
NRC9770	Nut union-Metric	A/R	From VIN 328281
13 542846	Olive	A/R	Upto VIN 328280
NRC9771	Olive	A/R	From VIN 328281
14 ESR301	Clip swivel	1	200Tdi

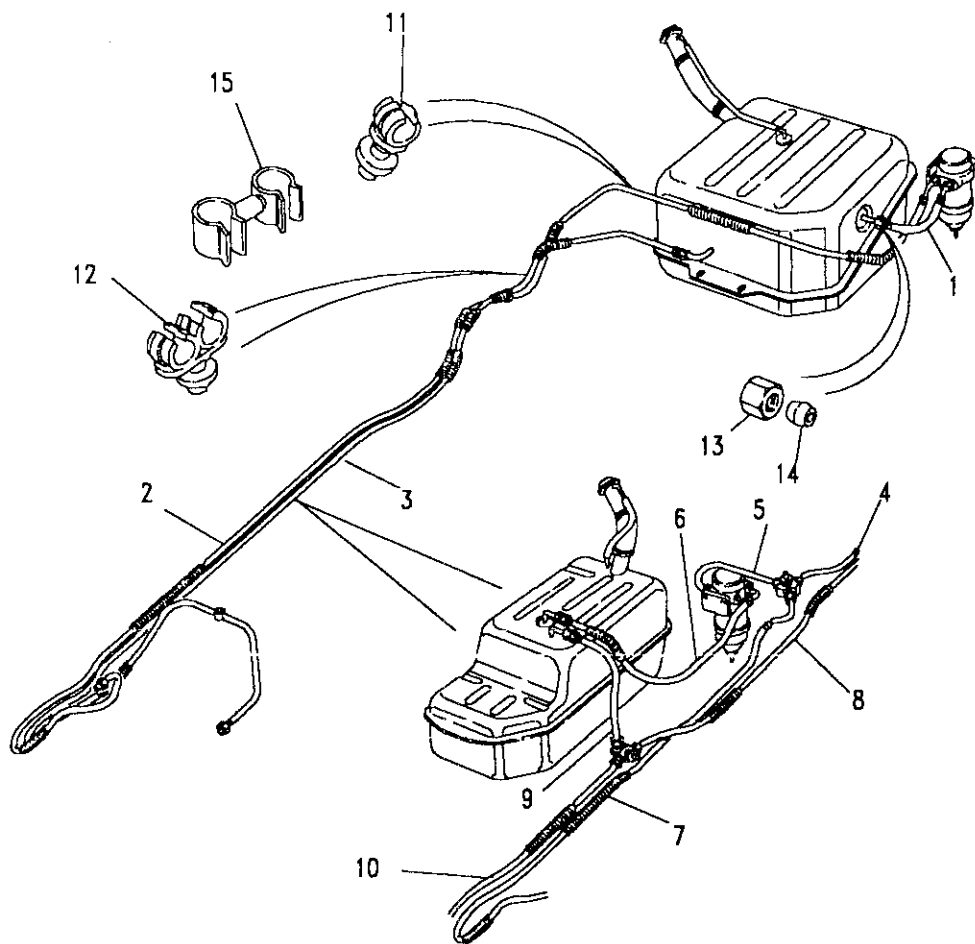




Model DEFENDER 110 1987 onwards  
 Page AFJXEC4A

**FUEL SYSTEM - PIPES - DIESEL - WITH - SEDIMENTOR**

III. Part No.	Description	Qty	Remarks
<b>Tank to sedimentor</b>			
1 NRC8462	Pipe fuel	1	Upto VIN 450724
ESR245	Pipe fuel	1	From VIN 450725
<b>Defender 110 - Sedimentor to lift pump</b>			
2 NRC8103	Pipe fuel	1	
<b>Defender 130 - Sedimentor to lift pump</b>			
2 RRC2475	Pipe fuel	1	Upto October 1989
RRC6744	Pipe fuel	1	From October 1989
<b>Spill rail to filter to rear tank</b>			
3 NTC2157	Pipe fuel	1	Upto VIN 328280
<b>Spill rail to filter</b>			
NTC4604	Pipe fuel	1	From VIN 328281
<b>Filter to rear tank</b>			
NTC3491	Pipe fuel	1	From VIN 328281





Model DEFENDER 110 1987 onwards

Page AFJXEC4A

FUEL SYSTEM - PIPES - DIESEL - WITH SEDIMENTOR

III. Part No. Description Qty Remarks

Defender 110 - Spill rail to rear tank  
NTC5729 Pipe fuel 1 200Tdi

Defender 130 - Spill rail to rear tank  
ESR352 Pipe fuel 1 200Tdi

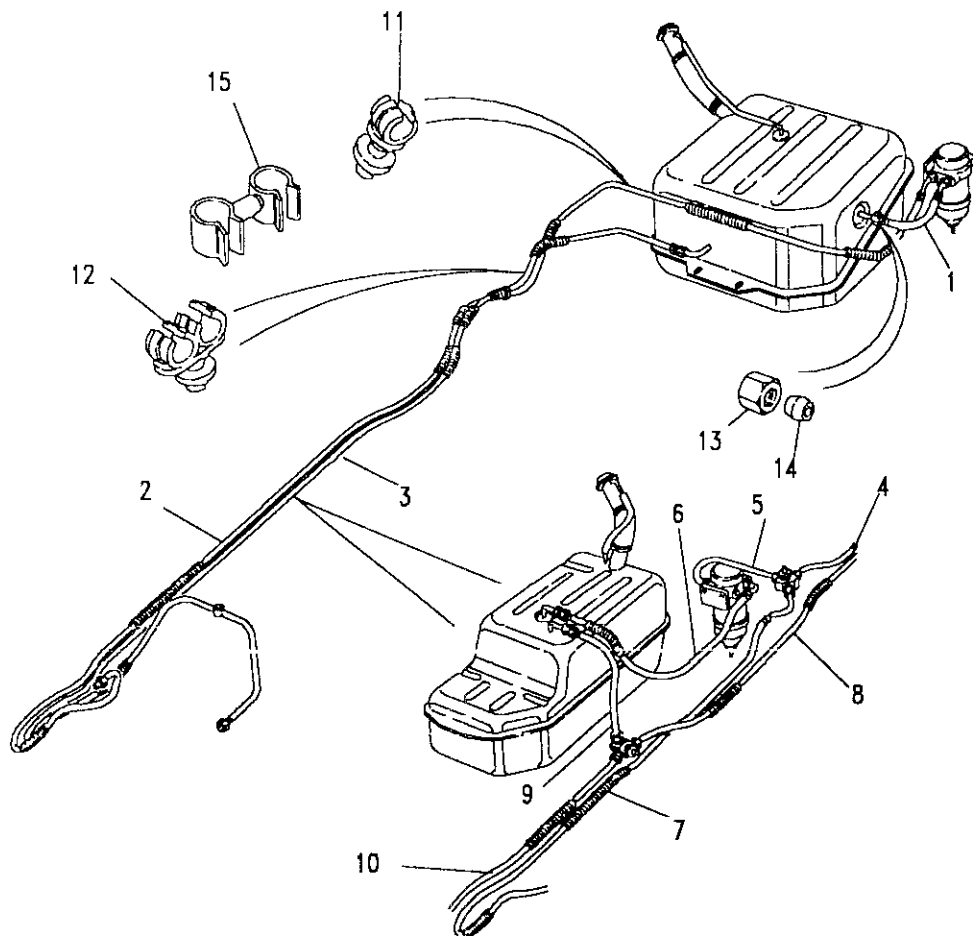
ADDITIONAL FUEL TANK - OPTIONAL

Defender 110 - Rear sedimentor to tap  
4 NRC7318 Pipe fuel 1

Defender 130 - Rear sedimentor to tap  
4 RRC6747 Pipe fuel 1 From October 1989

Front sedimentor to tap  
5 NRC7319 Pipe fuel 1

Side tank to front sedimentor  
6 NRC8108 Pipe fuel 1 Upto VIN 328280  
NTC4597 Pipe fuel 1 From VIN 328281

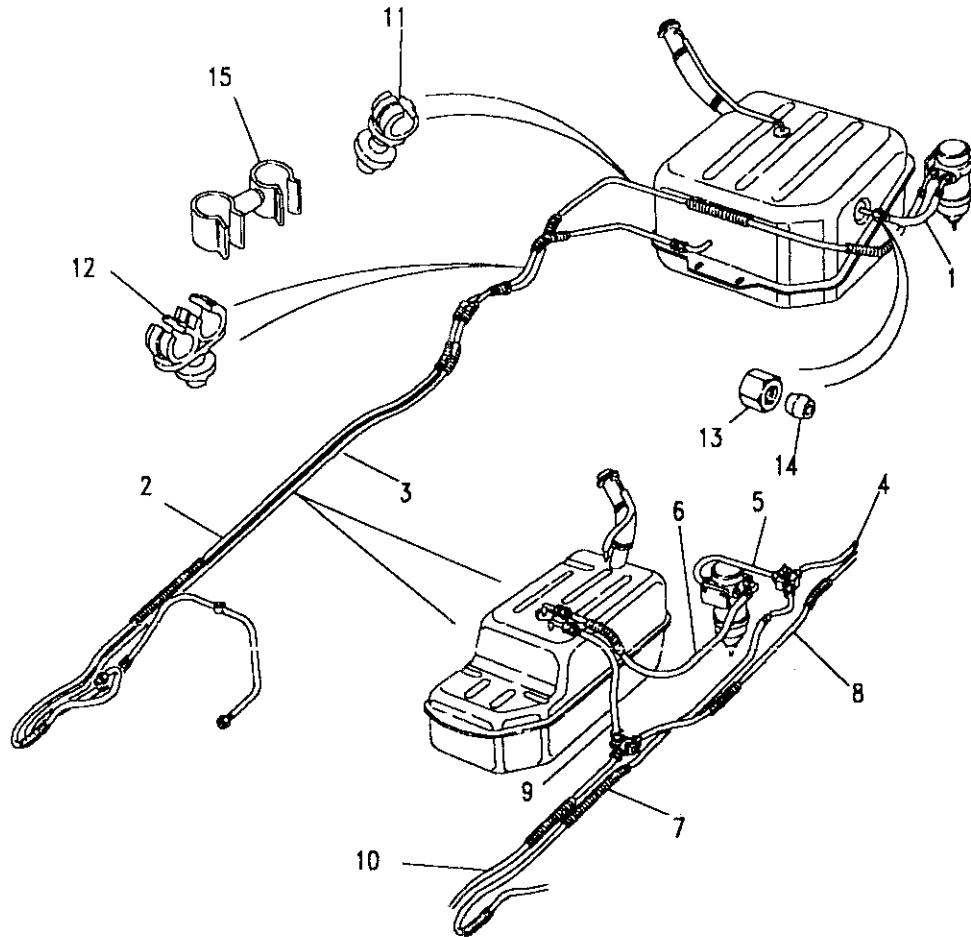




**Model** DEFENDER 110 1987 onwards  
**Page** AFJXEC4A

**FUEL SYSTEM - PIPES - DIESEL - WITH SEDIMENTOR**

Ill. Part No.	Description	Qty	Remarks
<b>Tap to lift pump</b>			
7 NRC8104	Pipe fuel	1	
<b>Tap to rear tank-spill</b>			
8 NTC2179	Pipe fuel	1	
<b>Side tank to tap-spill</b>			
9 NRC7310	Pipe fuel	1	Upto VIN 328280
NTC4596	Pipe fuel	1	From VIN 328281
<b>Spill rail to tap</b>			
10 NRC7351	Pipe fuel	1	
NTC5750	Pipe fuel	1	200Tdi
<b>Filter to tap</b>			
NTC3489	Pipe fuel	1	
11 79121	Pipe clip-single	4	
79122	Pipe clip-single	1	
12 NRC5415	Pipe clip-double	7	
13 603431	Nut union-UNF	A/R	Upto VIN 328280
NRC9770	Nut union-Metric	A/R	From VIN 328281
14 542846	Olive	A/R	Upto VIN 328280
NRC9771	Olive	A/R	From VIN 328281
15 ESR301	Clip swivel	1	200Tdi





DEFENDER 110 1987 onwards

543

FUEL SYSTEM AND AIR CLEANER

**Model** DEFENDER 110 1987 onwards

**Page** AFJXEC4B

**FUEL SYSTEM - FUEL PIPES - 300TDI**

III. Part No.	Description	Qty	Remarks
1 ESR3133	Pipe fuel - tank/LP	1	110
ESR3134	Pipe fuel - tank/LP	1	130
2 ESR3118	Pipe fuel twin - LP/filter & filter/HP	1	
3 ESR3130	Pipe fuel - sedimentor/LP	1	110
ESR3128	Pipe fuel - sedimentor/LP	1	130
4 ESR3127	Pipe fuel - spill/tank	1	110
ESR3124	Pipe fuel - spill/tank	1	130
5 ESR3131	Pipe fuel - ch.over/LP	1	
6 ESR3126	Pipe fuel - spill/ch.over	1	
7 ESR3135	Bracket pipe clip	1	
8 ESR1373	Clip pipe		A/R

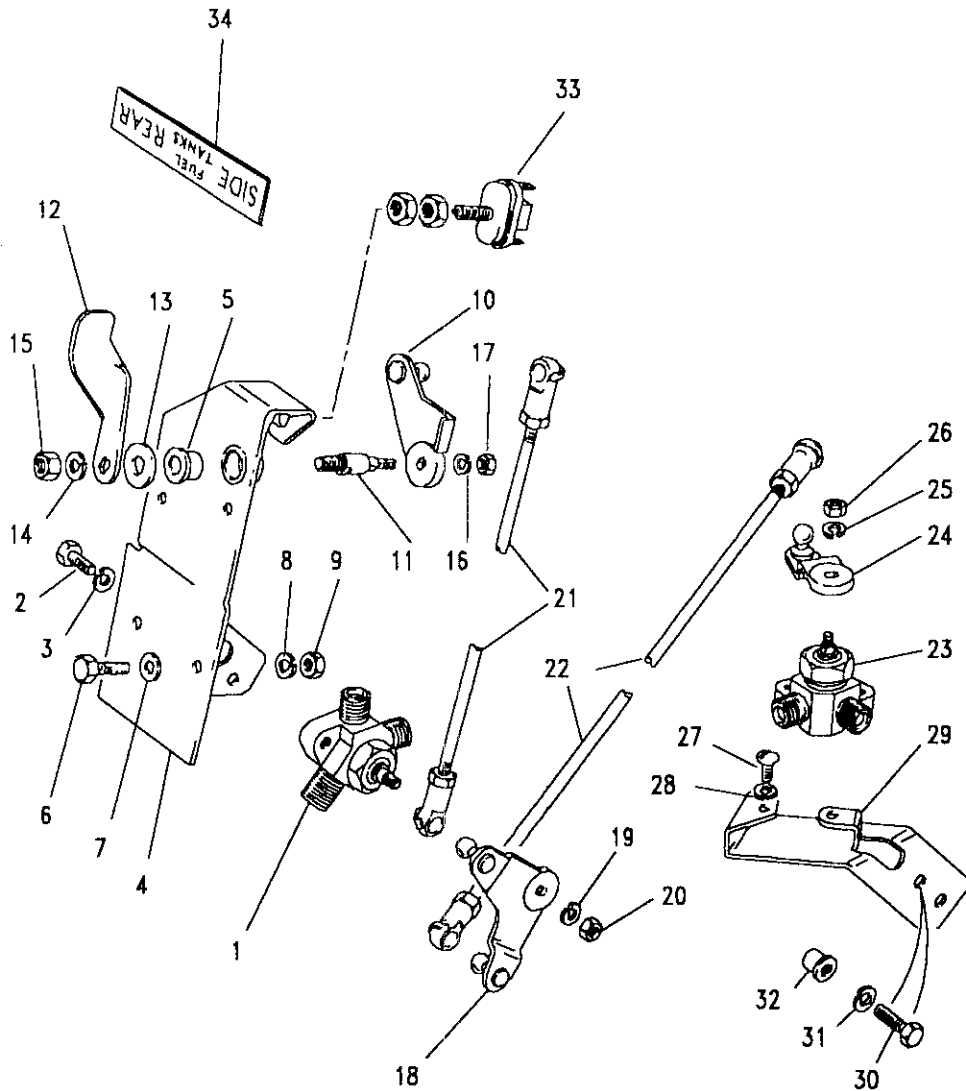




Model DEFENDER 110 1987 onwards  
 Page AFJXEC5A

FUEL SYSTEM - TAPS - DUAL TANKS OPTION - DIESEL

III. Part No.	Description	Qty	Remarks
1	NRC7249 Tap fuel	1	Heelboard
2	FS105107 Screw	2	
3	WL105001L Washer spring	2	
4	NRC7230 Bracket support	1	
5	NRC6339 Bush	1	
6	SH105121L Screw	1	
7	WA105001L Washer plain	4	
8	WL105001L Washer spring	4	
9	NH105041L Nut	4	
10	NRC7235 Lever assembly	1	
11	NRC7238 Pin	1	
12	NRC7311 Lever hand	1	
13	WA108051L Washer plain	1	
14	WS108001L Washer spring	1	Alternative
15	WL106001L Washer spring	1	
16	WS600051 Washer spring	1	Alternative
17	NH106041L Nut	1	
18	WL105001L Washer spring	1	
19	NH105041L Nut	1	

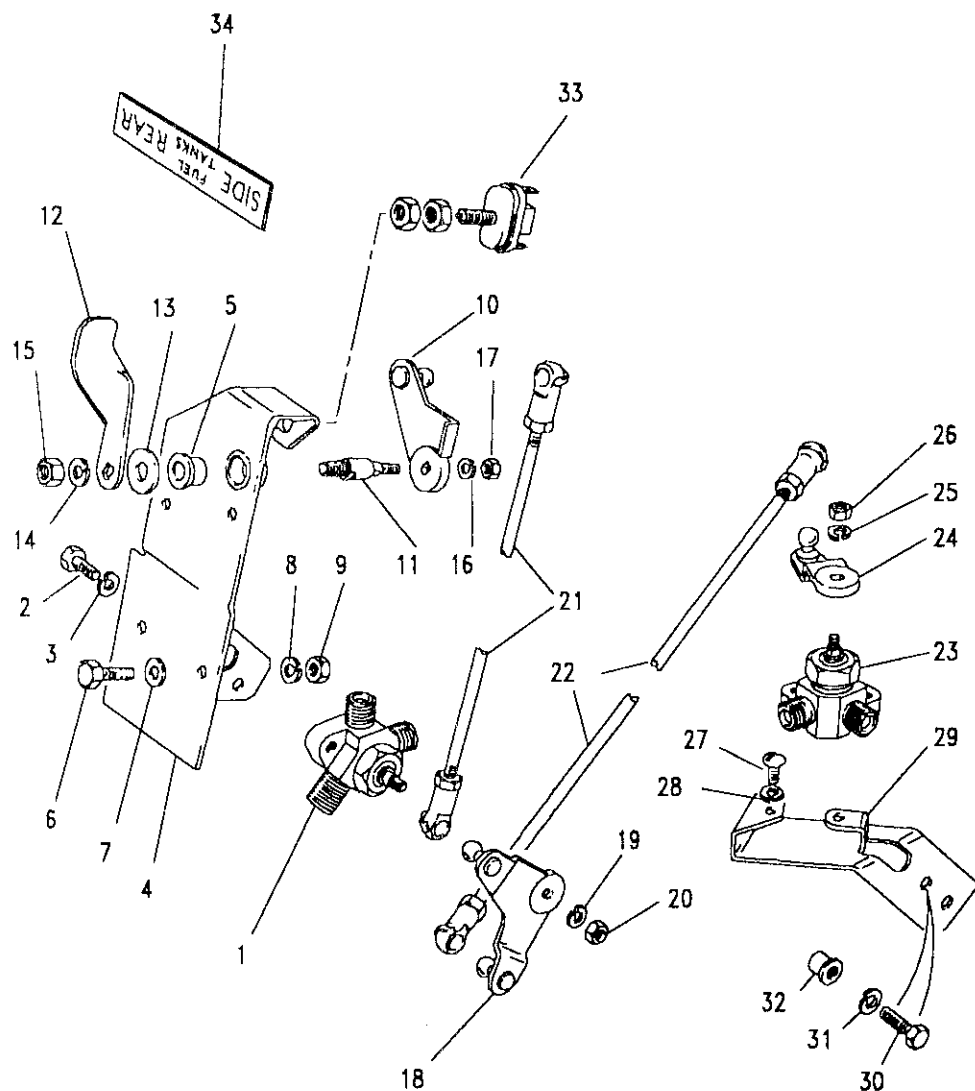


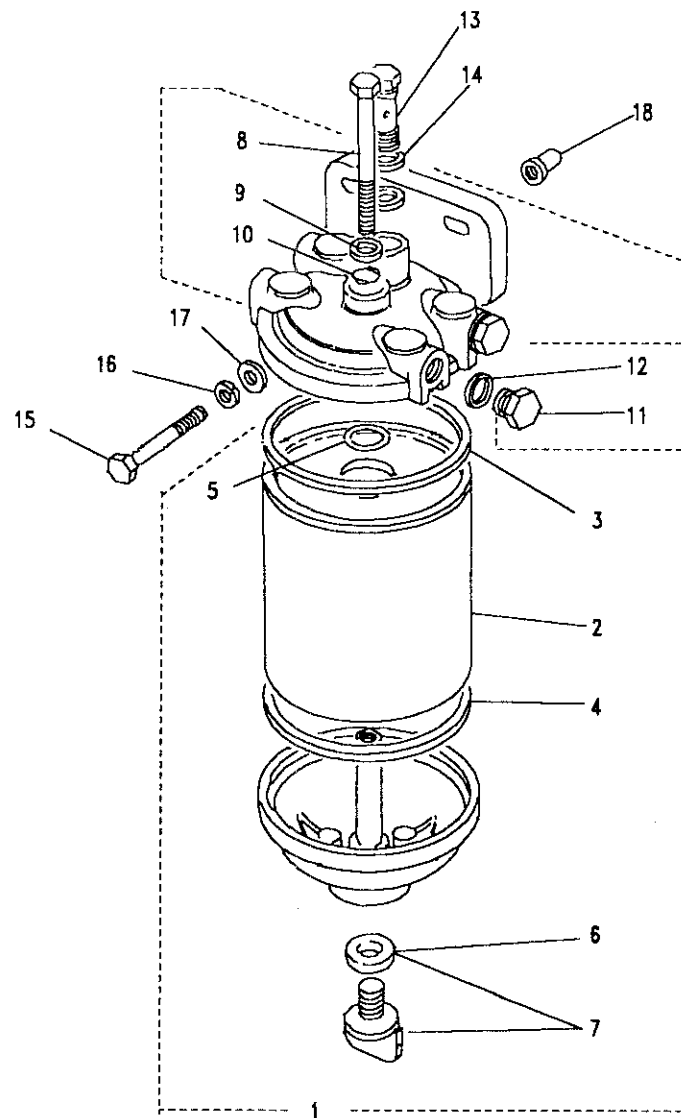


Model DEFENDER 110 1987 onwards  
Page AFJXEC5A

## FUEL SYSTEM - TAPS - DUAL TANKS OPTION - DIESEL

III. Part No.	Description	Qty	Remarks
18	NRC7240	1	Lever assembly
19	WL105001L	1	Washer spring
20	NH105041L	1	Nut
21	NTC3455	1	Control rod
22	NTC3457	1	Control rod
23	NRC7249	1	Tap fuel
24	NRC7232	1	Lever assembly
25	WL105001L	1	Washer spring
26	NH105041L	1	Nut
27	SP105121	2	Screw
	FS105107	2	Screw
28	WL105001L	2	Washer spring
29	NRC7880	1	Bracket support
	NTC7398	1	Bracket support
30	SH106141L	2	Screw
31	WL106001L	2	Washer spring
32	NN106021	2	Nutsert
33	510267	1	Switch fuel change over
34	559625	1	Label





**Model** DEFENDER 110 1987 onwards  
**Page** AFJXGC1A

### FUEL SYSTEM - FILTER - DIESEL AND DIESEL TURBO

III. Part No.	Description	Qty	Remarks
1	563190	1	Filter assembly fuel
2	90517711	1	Element
3	AAU9903	1	Seal top
4	AAU9902	1	Seal bottom
5	37H575L	1	Seal small
6	605011	1	Seal drain plug
7	37H7920	1	Drain plug and seal
8	37H8119L	1	Bolt
9	522940	1	Washer
10	37H770L	1	O ring
11	517689	1	Plug blanking
12	517706	1	Washer
13	13H1515L	1	Bolt banjo
14	517976	2	Joint washer
15	SH108301L	2	Screw
16	WL108001L	2	Washer spring
17	WA108051L	2	Washer plain
18	NN108021	2	Rivnut

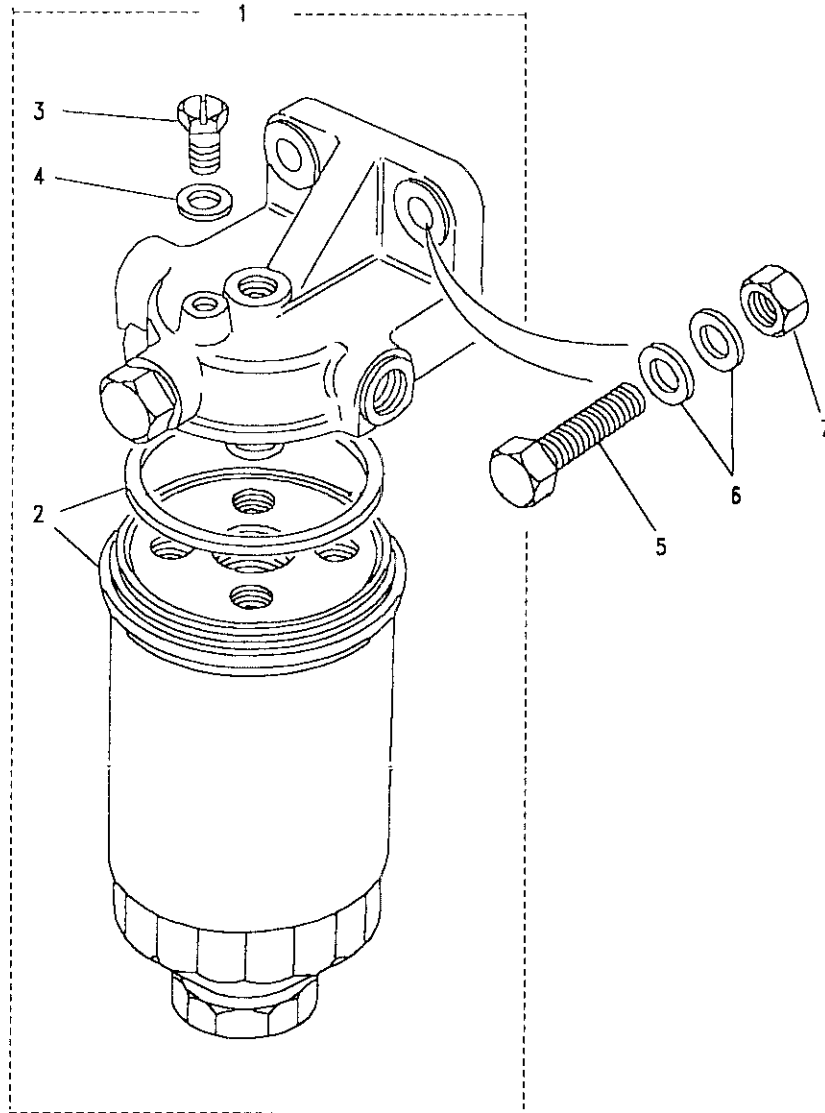




DEFENDER 110 1987 onwards

547

FUEL SYSTEM AND AIR CLEANER

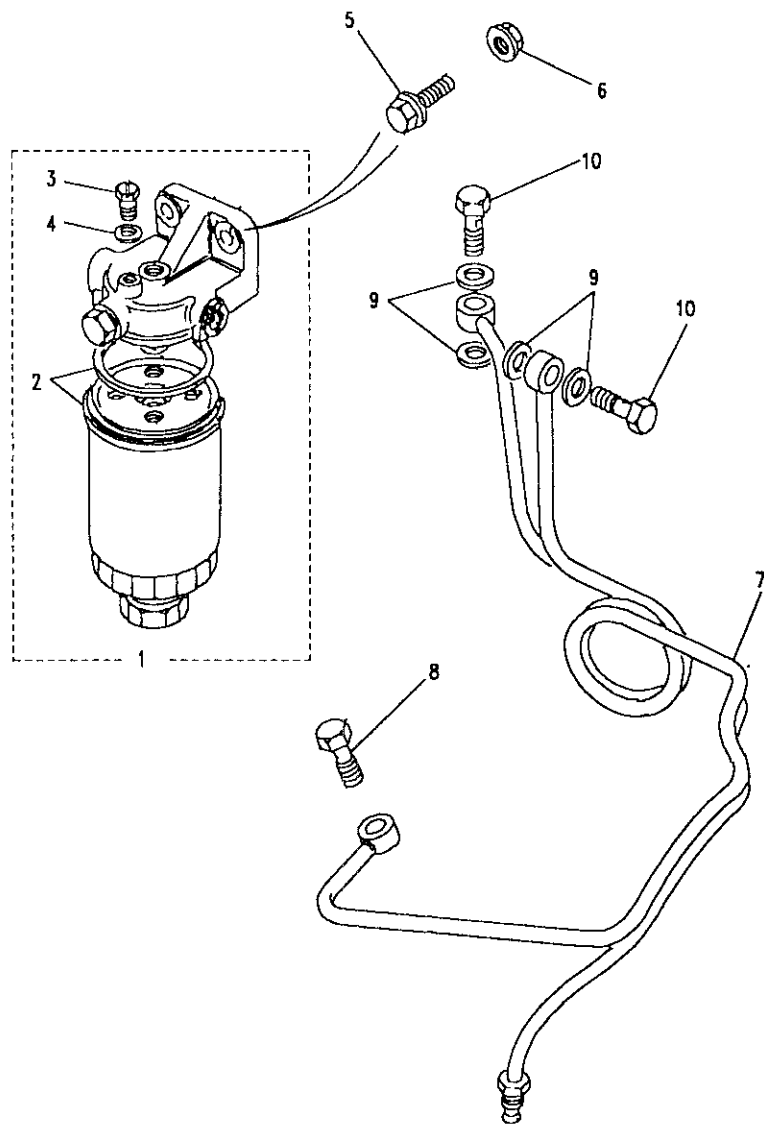


**Model** DEFENDER 110 1987 onwards  
**Page** AFJXGC2A

**FUEL SYSTEM - FILTER - 200TDI**

III. Part No.	Description	Qty	Remarks
1	NTC1518	1	Filter assembly fuel
2	AEU2147L	1	Element and seal
3	AEU2148L	1	Screw bleed
4	AEU2149L	1	Washer sealing
5	FS110301L	2	Screw
6	WA110061L	4	Washer plain
7	NY110041L	2	Nut nyloc





**Model** DEFENDER 110 1987 onwards  
**Page** AFJXGC2B

**FUEL SYSTEM - FILTER - 300TDI**

III. Part No.	Description	Qty	Remarks
1	NTC1518	1	
2	AEU2147L	1	
3	AEU2148L	1	
4	AEU2149L	1	
5	FS110301L	2	
6	FX110041	2	
7	Fuel pipe	1	Note(1)
8	ERR1125	1	
9	ESR354	4	
10	NTC3346	2	
11	ESR3206	1	
12	FS108201L	1	
13	FS108301L	2	

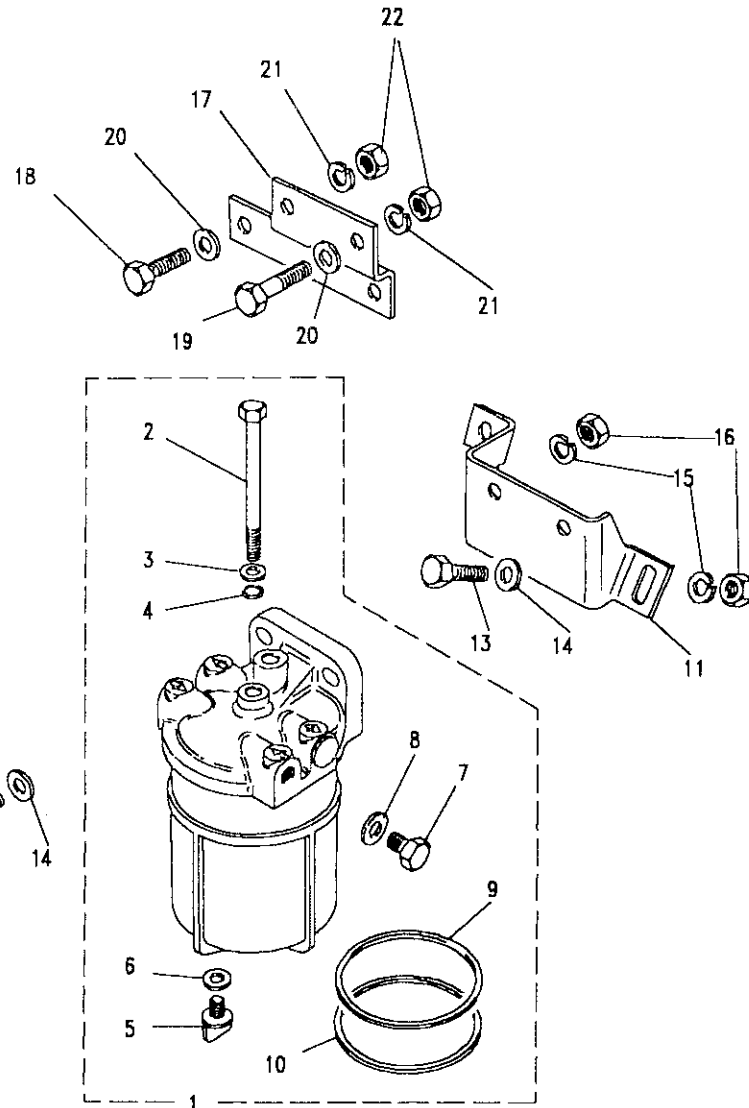
Note(1) For fuel pipes see page 544 - 545



Model DEFENDER 110 1987 onwards

Page AFJXGC3A

FUEL SYSTEM - SEDIMENTORS - OPTIONAL - DIESEL



III. Part No.	Description	Qty	Remarks
1	562748 Sedimentor	1	Note(1)
2	37H8119 Bolt	1	
3	522940 Washer	1	
4	37H770 O ring	1	
5	37H7920 Plug drain	1	
6	605011 Seal	1	
7	517689 Plug blanking	1	
8	517706 Joint washer	1	
9	AAU9903 Seal top	1	
10	AAU9902 Seal bottom	1	
11	NRC5623 Bracket support	1	Rear tank
12	FS108301L Bolt	2	
13	FS108201L Bolt	2	
14	WA108051L Washer plain	4	
15	WL108001L Washer spring	4	
16	FN108041L Nut	4	
17	NRC7372 Bracket support	1	Side tank
18	FS108251L Bolt	2	
19	FS108201L Bolt	2	
20	WA108051L Washer plain	4	
21	WL108001L Washer spring	4	
22	FN108041L Nut	4	

Note(1) 562748 is used for rear and side tank - alter blanking plugs as required

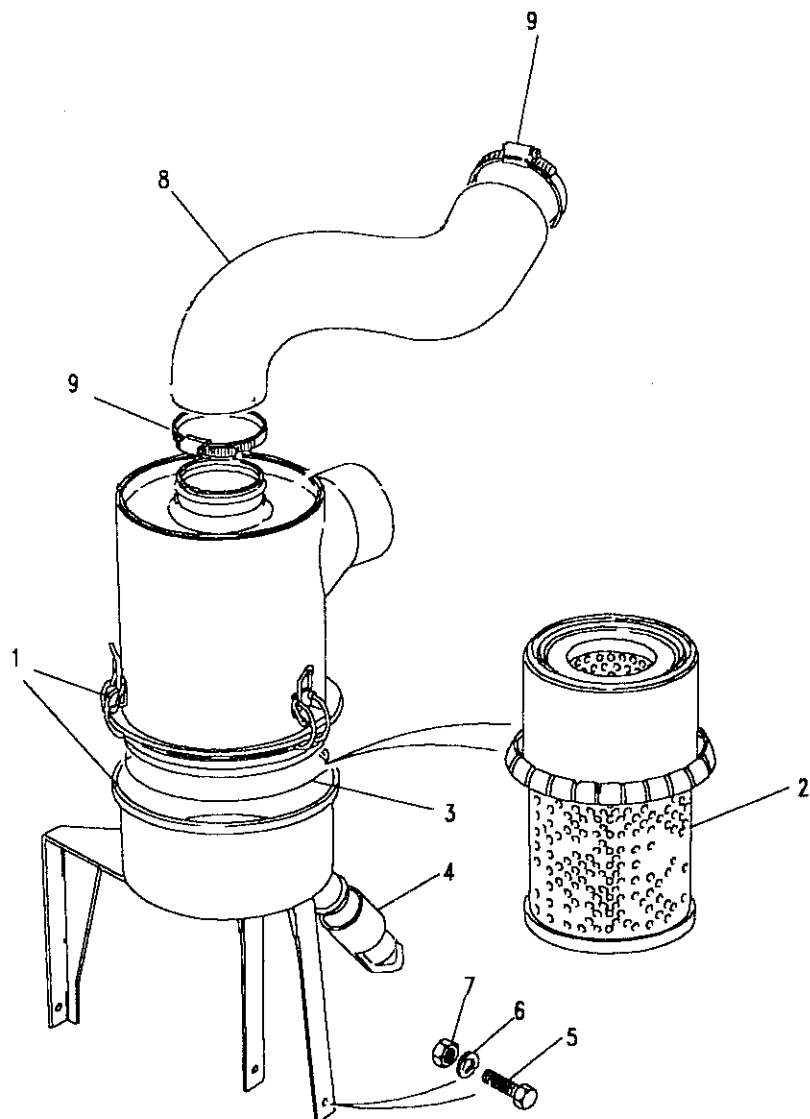




Model DEFENDER 110 1987 onwards  
Page AFJXPA1A

FUEL SYSTEM - AIR CLEANER - 4 CYLINDER PETROL

III. Part No.	Description	Qty	Remarks
1 RRC4002	Air cleaner assembly	1	Upto VIN FA375497
NTC4183	Air cleaner assembly	1	From VIN FA375498
2 NRC9238	Element	1	
NRC9239	Nut wing and gasket	1	
3 RRC3746	O ring	1	
4 NRC8955	Valve dump	1	Upto VIN FA375497
NTC3751	Valve dump	1	From VIN FA375498
5 SH106121L	Screw	3	
6 WL106001L	Washer spring	3	
7 NH106041L	Nut	3	
<b>Air cleaner to carburetter</b>			
8 NTC1650	Hose	1	
9 CJ600504L	Clip hose	2	





DEFENDER 110 1987 onwards

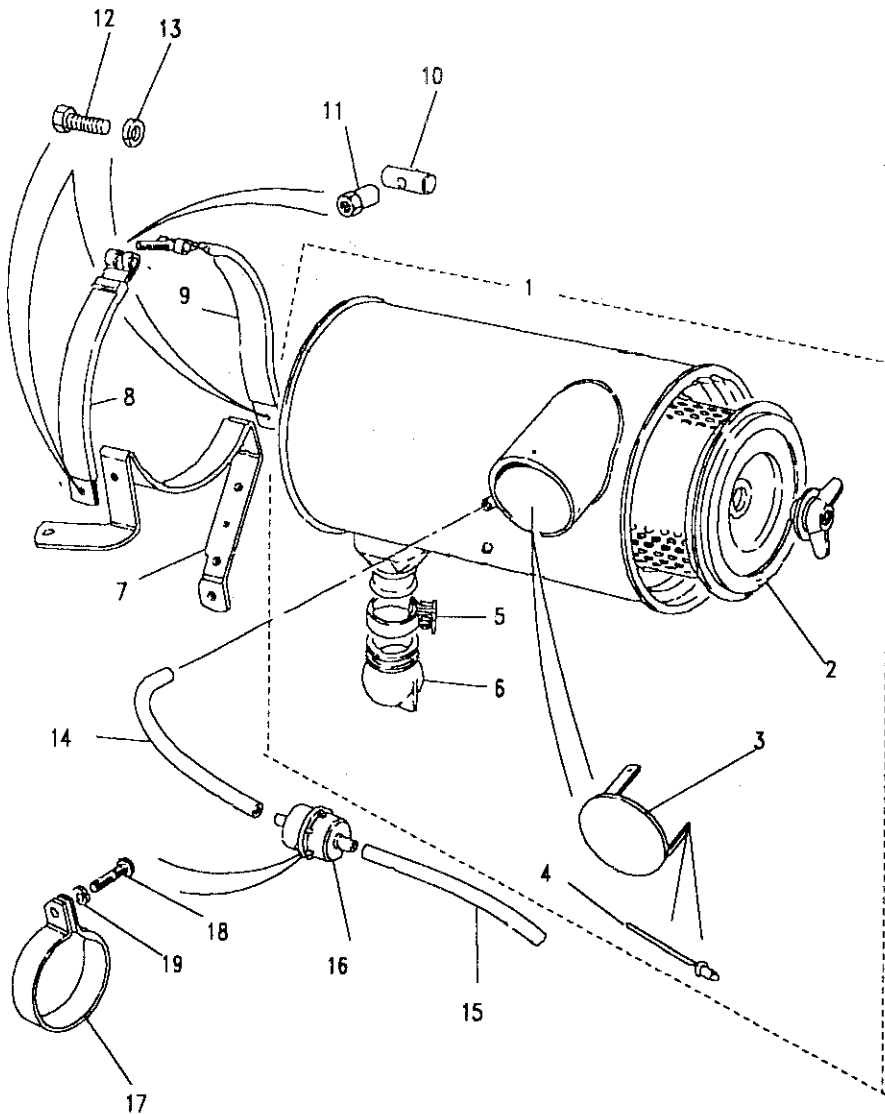
551

FUEL SYSTEM AND AIR CLEANER

Model DEFENDER 110 1987 onwards  
Page AFJXPA2A

FUEL SYSTEM - AIR CLEANER - V8 PETROL

III. Part No.	Description	Qty	Remarks
1	ERC8505	1	Air cleaner assembly
2	RTC3479	1	Element
3	ERC3896	1	Baffle
4	RA607076	1	Rivet
5	606247	3	Clamp air cleaner
6	STC1120	1	Dust valve
7	ERC3892	1	Bracket
8	ERC3893	1	Bracket
9	ERC3946	1	Strap air cleaner
10	ERC3897	2	Strap retaining
11	572994	2	Trunnion
12	578023	2	Nut tension
13	SH505051	4	Screw
	WL600051L	4	Washer spring

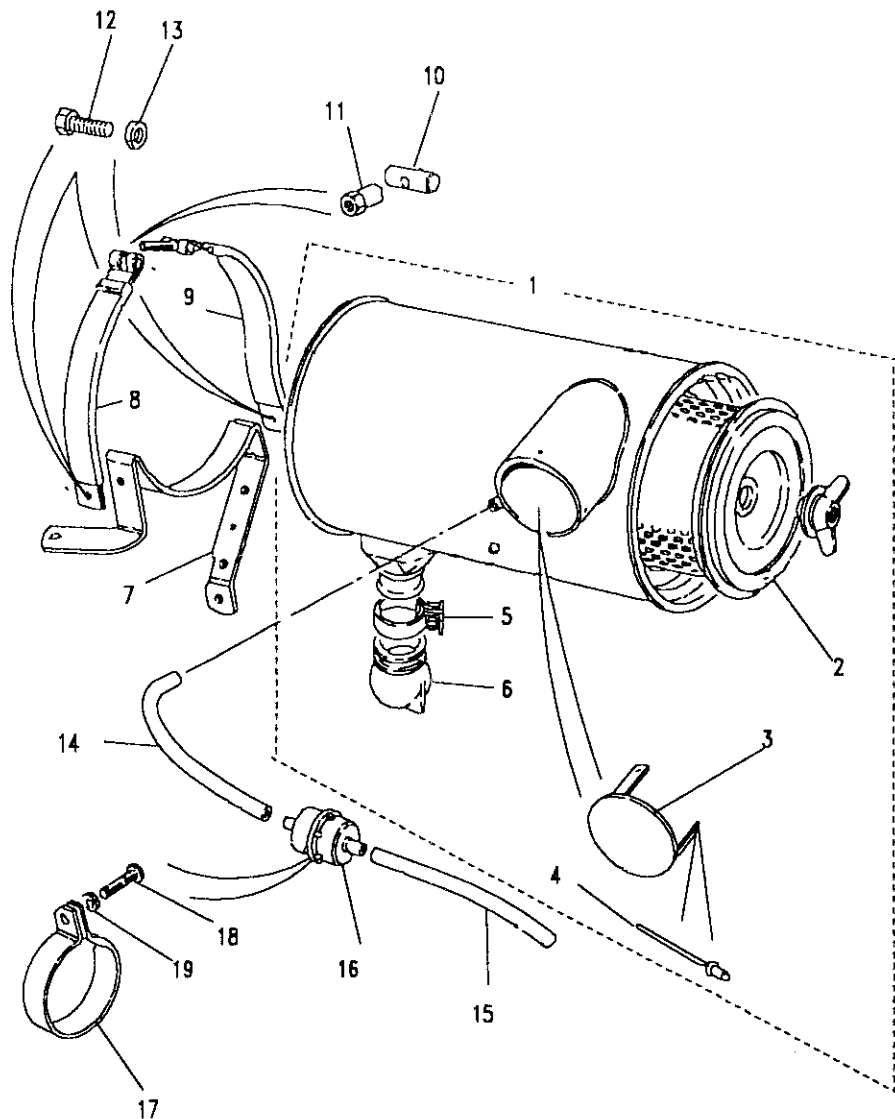




**Model** DEFENDER 110 1987 onwards  
**Page** AFJXPA2A

**FUEL SYSTEM - AIR CLEANER - V8 PETROL**

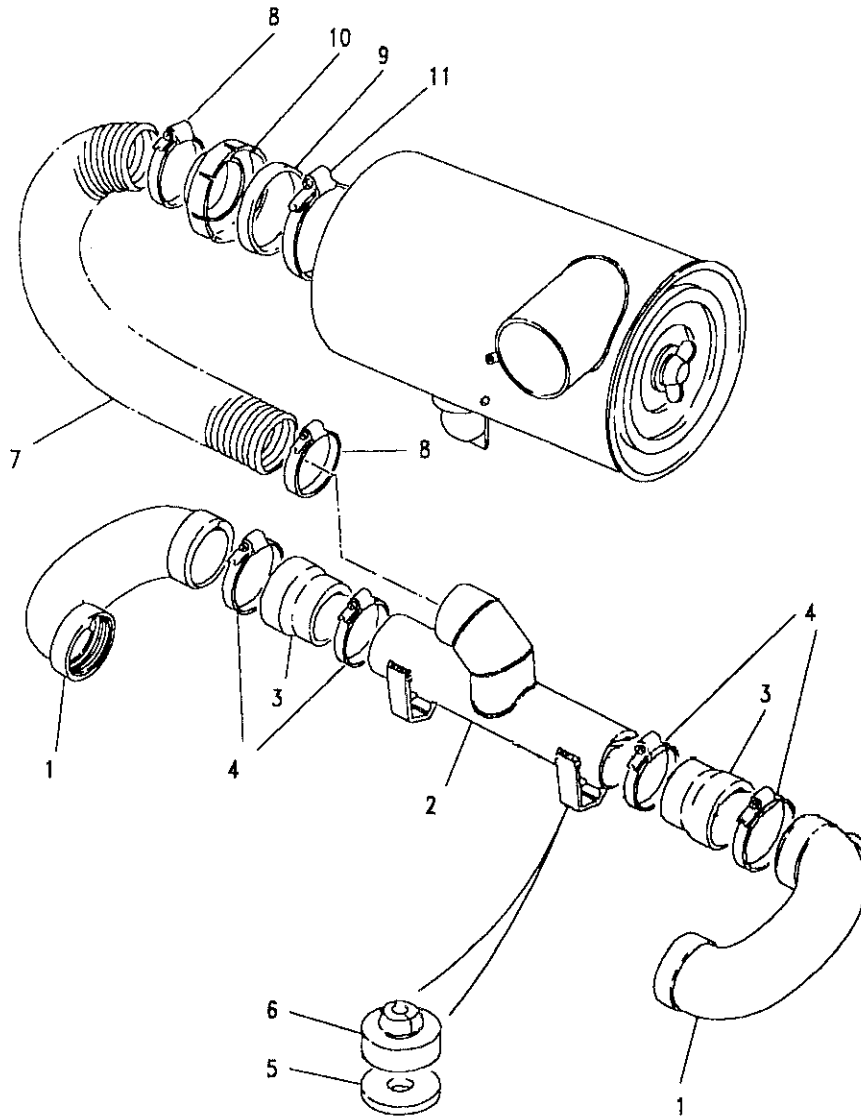
Ill. Part No.	Description	Qty	Remarks
<b>Filter to air cleaner</b>			
14	ERC3955	1	
<b>Filter to block</b>			
15	ERC3954	1	
16	606168	1	
17	603962	1	
18	79134	1	
19	WL700101	1	





Model DEFENDER 110 1987 onwards  
 Page AFJXPA3A

FUEL SYSTEM - AIR INLETS V8 STROMBERG CARBS NON DETOXED



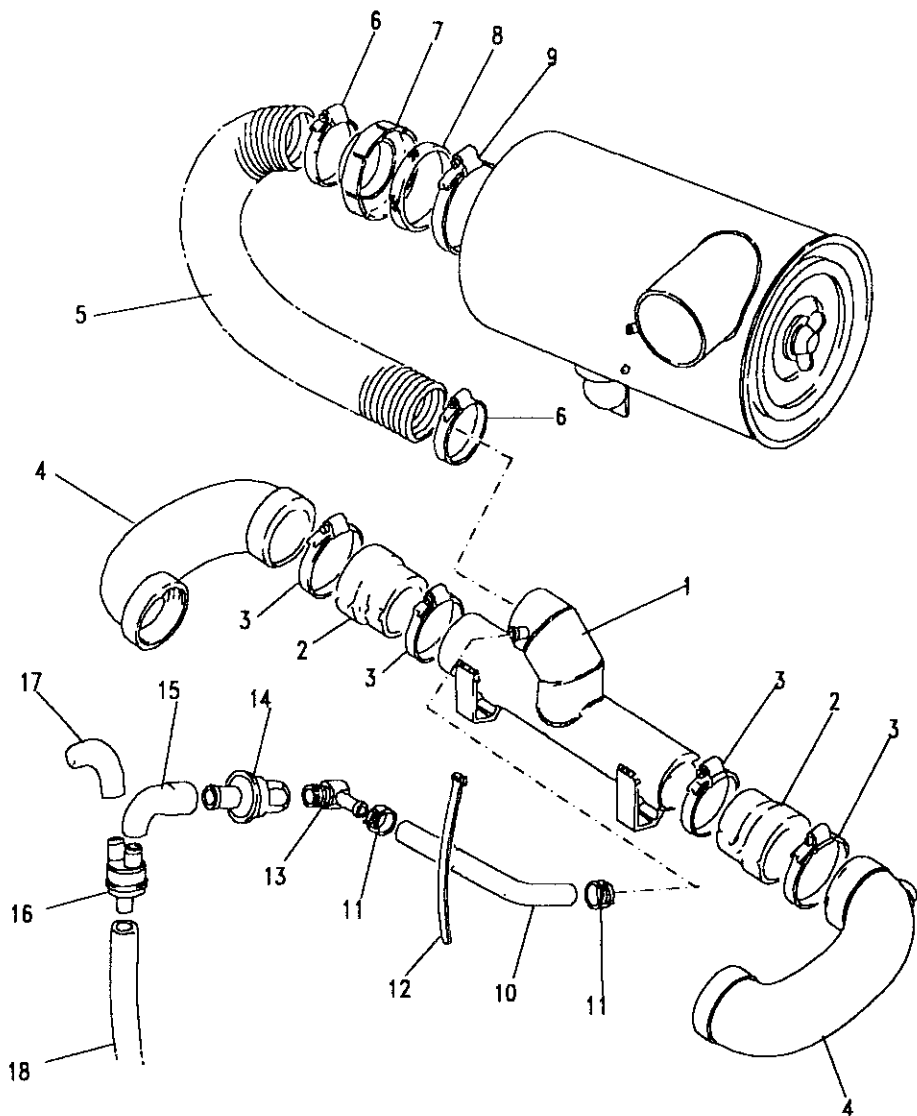
III. Part No.	Description	Qty	Remarks
1	ERC5247	2	Elbow air inlet
2	ERC5453	1	Duct air
3	ERC5052	2	Hose
4	RTC3518	2	Clip hose
5	4594	4	Spacer
6	603851	2	Grommet
7	ERC5401	2	Hose air intake
8	CA600424	1	Clip hose
9	ERC3899	2	Seal air intake
10	ERC5400	1	Adaptor air cleaner
11	RTC3502	1	Clip hose



**Model** DEFENDER 110 1987 onwards  
**Page** AFJXPA6A

**FUEL SYSTEM - AIR INLETS V8 SU CARBS NON DETOXED**

III. Part No.	Description	Qty	Remarks
1	ETC7193	1	Duct air inlet
2	ERC3915	2	Hose
3	RTC3519	4	Clip hose
4	ERC5247	2	Elbow
5	ERC3956	1	Hose
6	ETC5847	2	Clip hose
7	ERC3894	1	Adaptor
8	ERC3899	1	Seal
9	RTC3519	1	Clip hose
10	ETC7199	1	Hose breather
11	CN100308L	2	Clamp hose
12	594594	1	Cable tie
13	ETC7201	1	Adaptor assembly
14	ERC6878	1	Valve check
15	ETC7189	1	Hose breather
16	ETC7188	1	Flame trap
17	611092	1	Hose to rocker cover
18	611097	1	Hose to carburetter





DEFENDER 110 1987 onwards

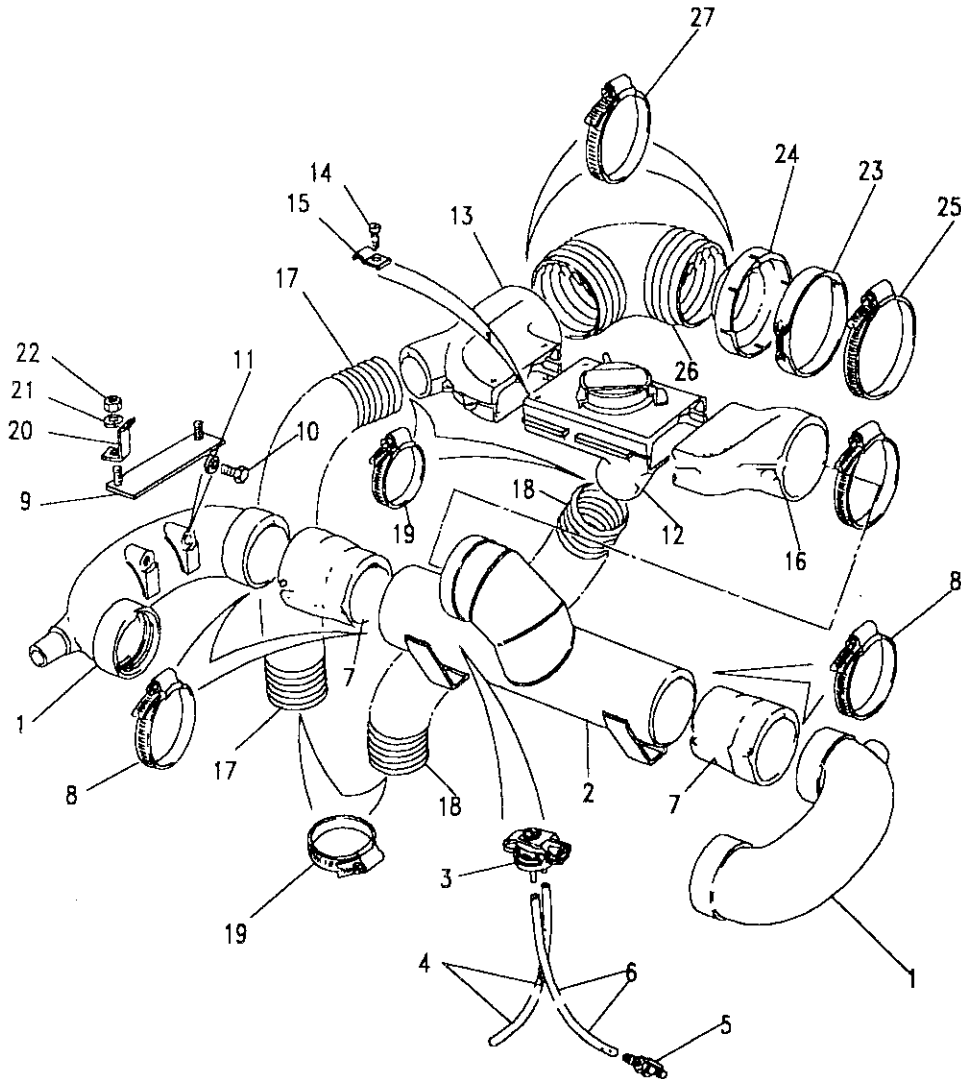
555

FUEL SYSTEM AND AIR CLEANER

**Model** DEFENDER 110 1987 onwards  
**Page** AFJXPA4A

**FUEL SYSTEM - AIR TEMPERATURE CONTROL**

III. Part No.	Description	Qty	Remarks
<b>V8 Detoxed</b>			
1 ERC9037	Elbow air inlet	2	
2 ERC7144	Duct air	1	
3 ERC6399	Sensor	1	
4 614892	Hose	2	
5 614866	Valve non return	1	
<b>Sensor to valve</b>			
6 614891	Hose	1	
<b>Duct to elbow</b>			
7 ERC5052	Hose	2	
8 RTC3518	Clip hose	4	
9 ERC3890	Bracket mounting	1	
10 SH108121L	Screw	2	
11 WL108001L	Washer spring	1	
12 ERC4591	Valve air temp control	1	
13 ETC4639	Adaptor	1	
ETC5147	Adaptor	1	Air con





DEFENDER 110 1987 onwards

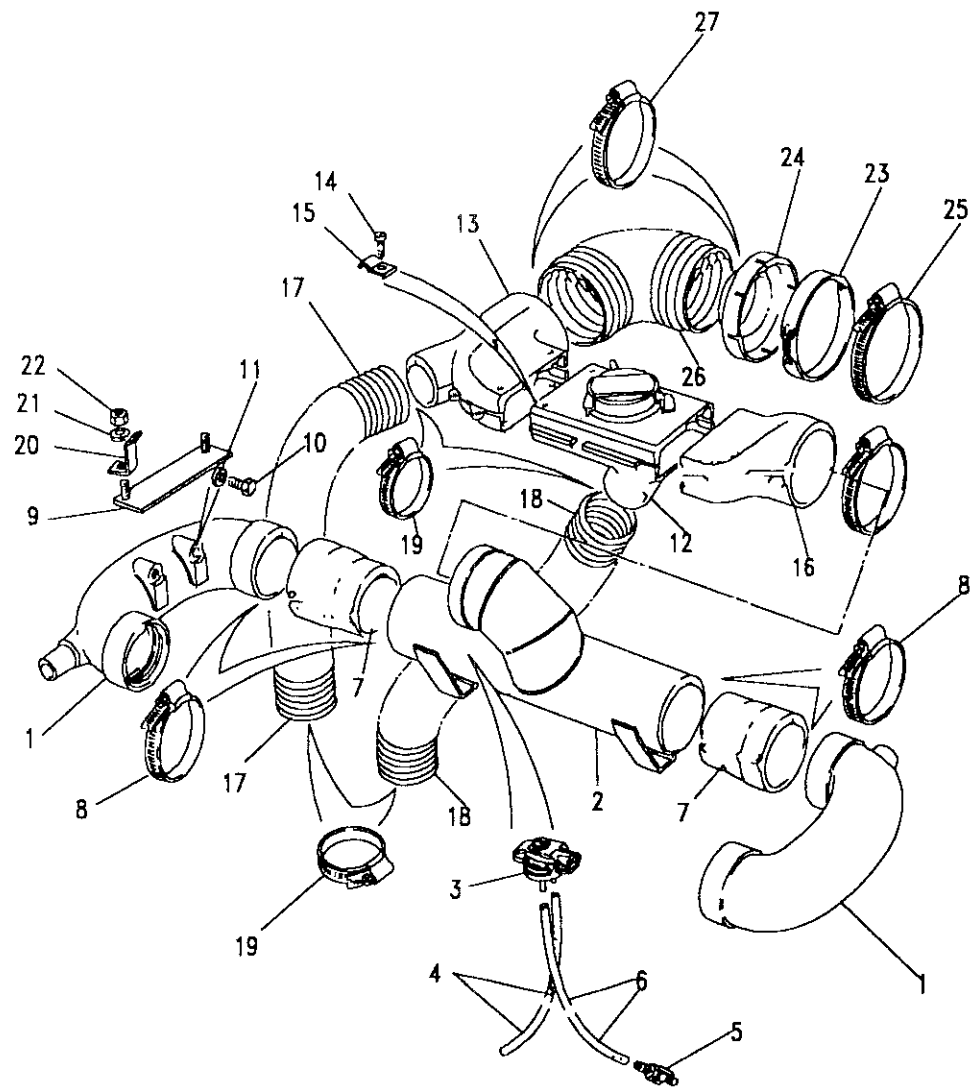
556

FUEL SYSTEM AND AIR CLEANER

Model DEFENDER 110 1987 onwards

Page AFJXPA4A

FUEL SYSTEM - AIR TEMPERATURE CONTROL



III. Part No.	Description	Qty	Remarks
<b>V8 Detoxed</b>			
14 AB600031	Screw	4	
15 216708	Clip choke cable	1	
16 ERC3884	Adaptor	1	
17 ERC4293	Hose	1	
18 ERC4294	Hose	1	
19 CN100508	Clip hose	4	
20 ERC3891	Clip-ATC Valve	2	
21 WL600041L	Washer spring	2	
22 NH604041L	Nut	2	
23 ERC3899	Seal air intake	1	
24 ERC5400	Adaptor	1	
25 RTC3502	Clip hose	1	
26 ERC4074	Hose	1	
27 CA600424	Clip hose	2	





DEFENDER 110 1987 onwards

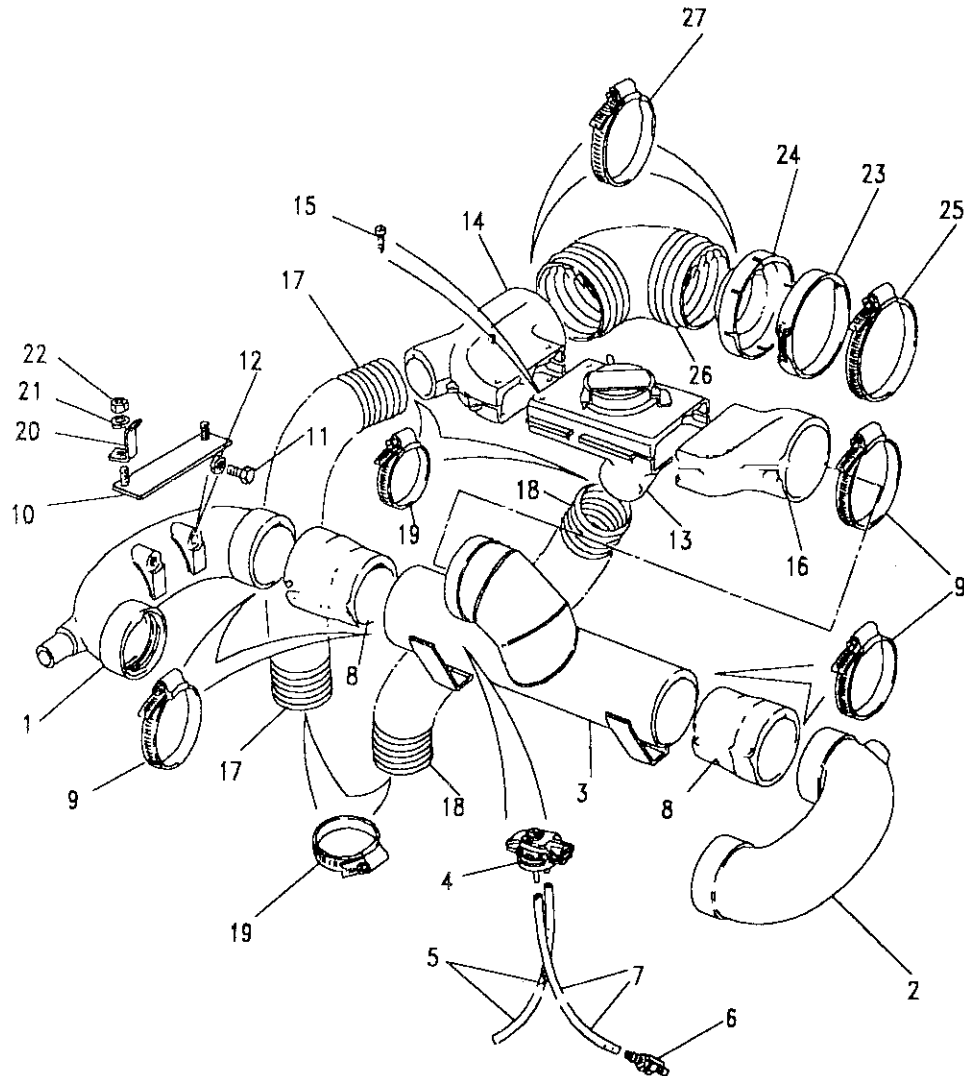
557

FUEL SYSTEM AND AIR CLEANER

**Model** DEFENDER 110 1987 onwards  
**Page** AFJXPA5A

**FUEL SYSTEM - AIR TEMPERATURE CONTROL**

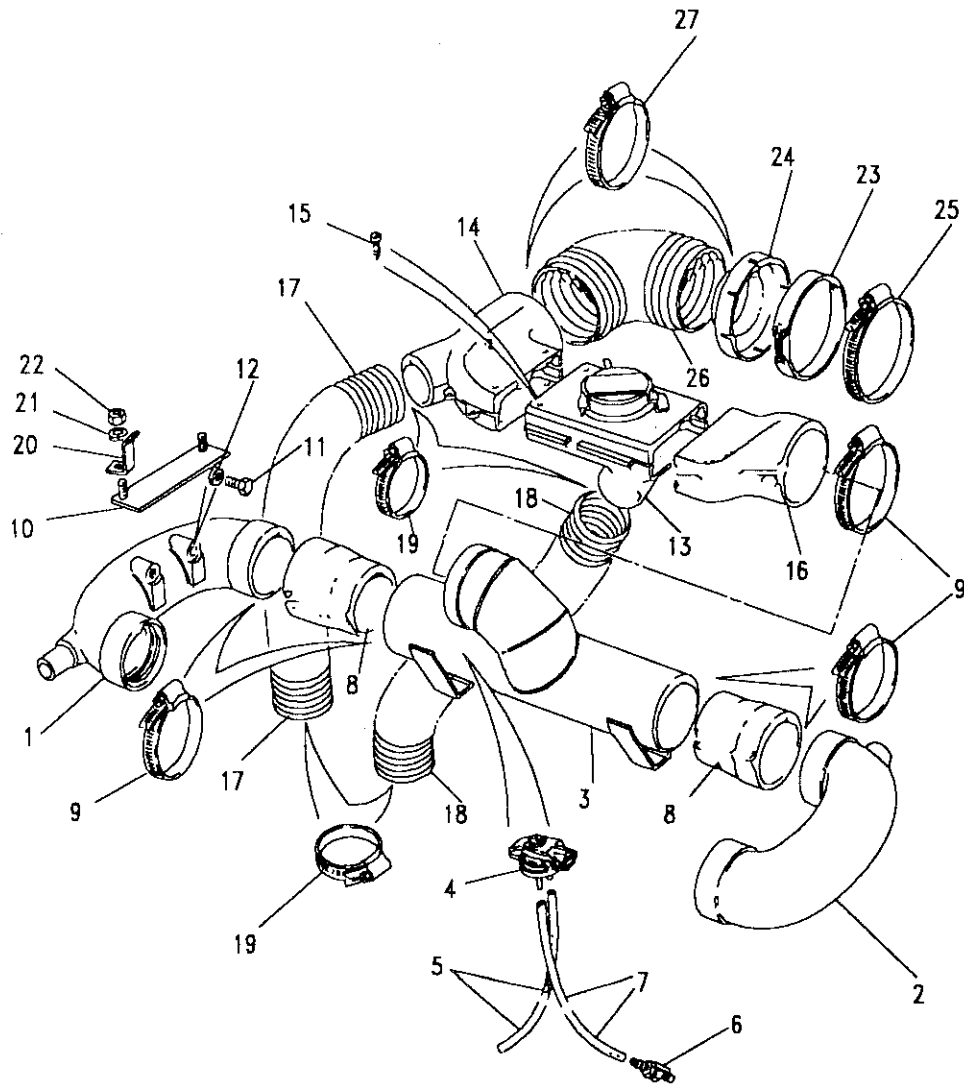
III. Part No.	Description	Qty	Remarks
<b>V8 Evaporative Loss</b>			
1	ERC7882	1	Elbow air inlet RH
2	ERC7881	1	Elbow air inlet LH
3	ERC7144	1	Duct air
4	ERC7879	1	Sensor
5	613601	1	Hose
6	614866	1	Valve non return
<b>Valve to manifold</b>			
7	614891	1	Hose
<b>Duct to elbow</b>			
8	ERC5052	2	Hose
9	RTC3518	4	Clip hose
10	ERC3890	1	Bracket mounting
11	SH505041L	2	Screw
12	WL108001L	2	Washer spring
13	ERC4591	1	Valve air temp control
14	ETC5147	1	Adaptor
15	AB610031L	4	Screw



**Model** DEFENDER 110 1987 onwards  
**Page** AFJXPA5A

**FUEL SYSTEM - AIR TEMPERATURE CONTROL**

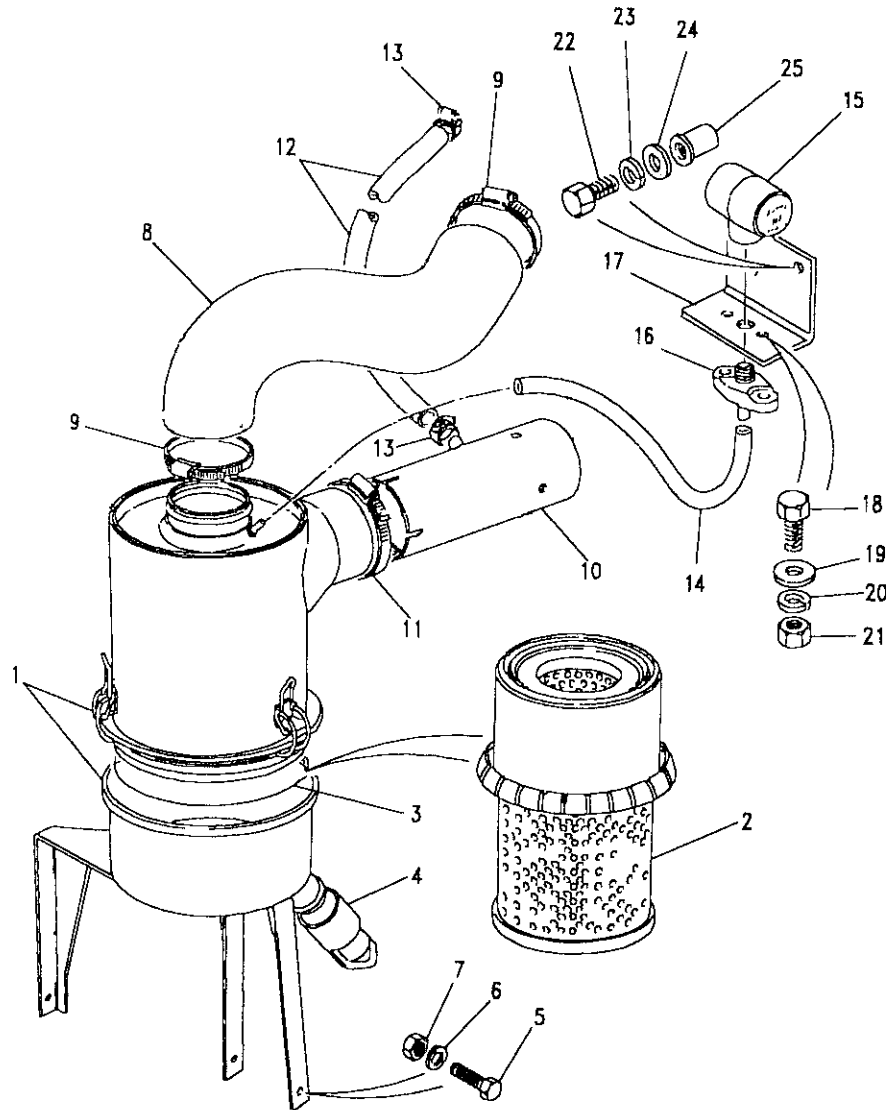
III. Part No.	Description	Qty	Remarks
<b>V8 Evaporative Loss</b>			
16	ERC3884	1	Adaptor
17	ERC4293	1	Hose
18	ERC4294	1	Hose
19	CN100508	4	Clip hose
20	ERC3891	2	Clip ATC valve
21	WM600041L	2	Washer spring
22	NH604041L	2	Nut
23	ERC3889	1	Seal air intake
24	ERC5400	1	Adaptor
25	RTC3502	1	Clip hose
26	ERC3956	1	Hose
27	CA600424	2	Clip hose





Model DEFENDER 110 1987 onwards  
Page AFJXPC1A

FUEL SYSTEM - AIR CLEANER - DIESEL NATURALLY ASPIRATED



III. Part No.	Description	Qty	Remarks
1	RRC4002 NTC4183 Air cleaner assembly	1	Upto VIN FA375497
2	NRC9238 NRC9239 Element	1	From VIN FA375498
3	RRC3746 Nut wing and gasket	1	
4	NRC8955 NTC3751 Valve dump	1	
5	SH106121L Screw	1	Upto VIN FA375497
6	WL106001L Washer spring	3	From VIN FA375498
7	NH106041L Nut	3	
<b>Air cleaner to manifold</b>			
8	NRC8962 Hose	1	
9	CJ600504L Clip hose	2	
10	NRC8987 Resonator	1	Upto VIN FA375497
11	NTC4612 CJ600504L Resonator Clip hose	1	From VIN FA375498
<b>Resonator to top breather</b>			
12	ETC7969 Hose	1	From VIN FA375498
13	CJ600164L Clip hose	2	From VIN FA375498

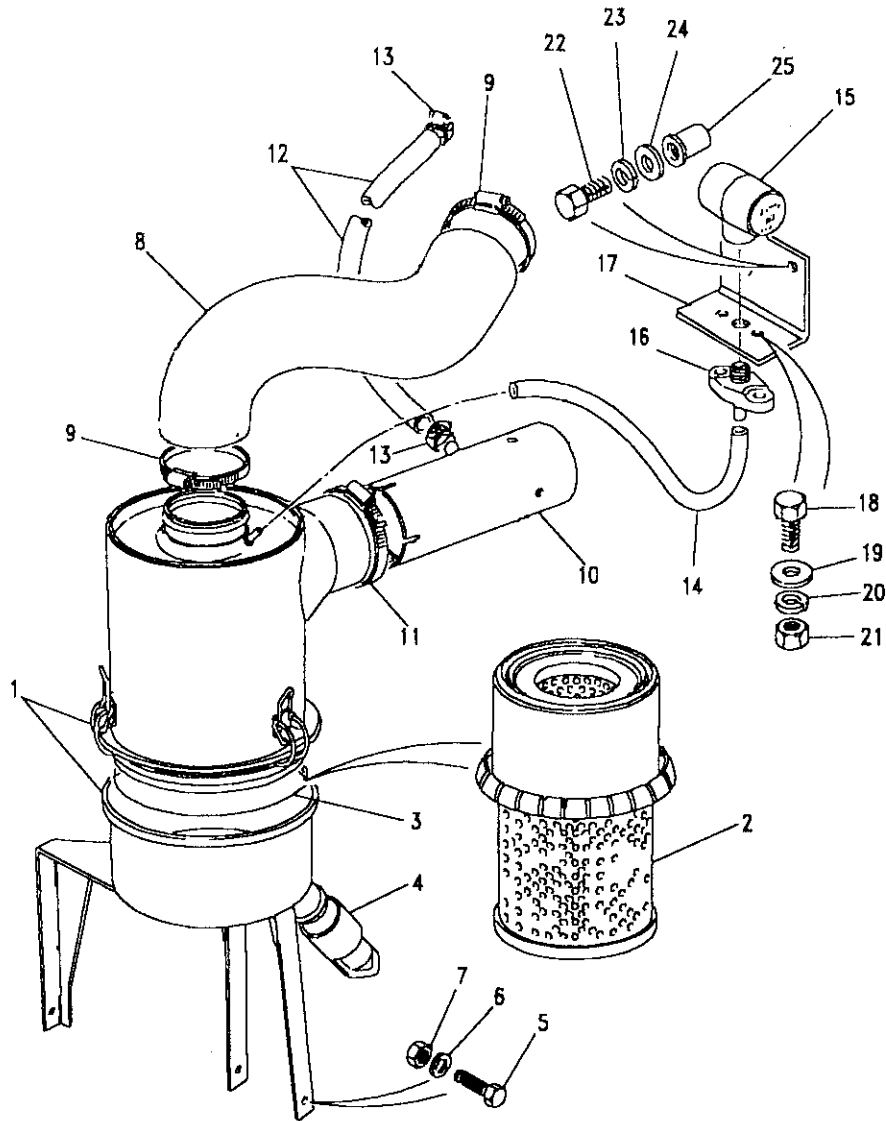






Model DEFENDER 110 1987 onwards  
Page AFJXPC1A

FUEL SYSTEM - AIR CLEANER - DIESEL NATURALLY ASPIRATED



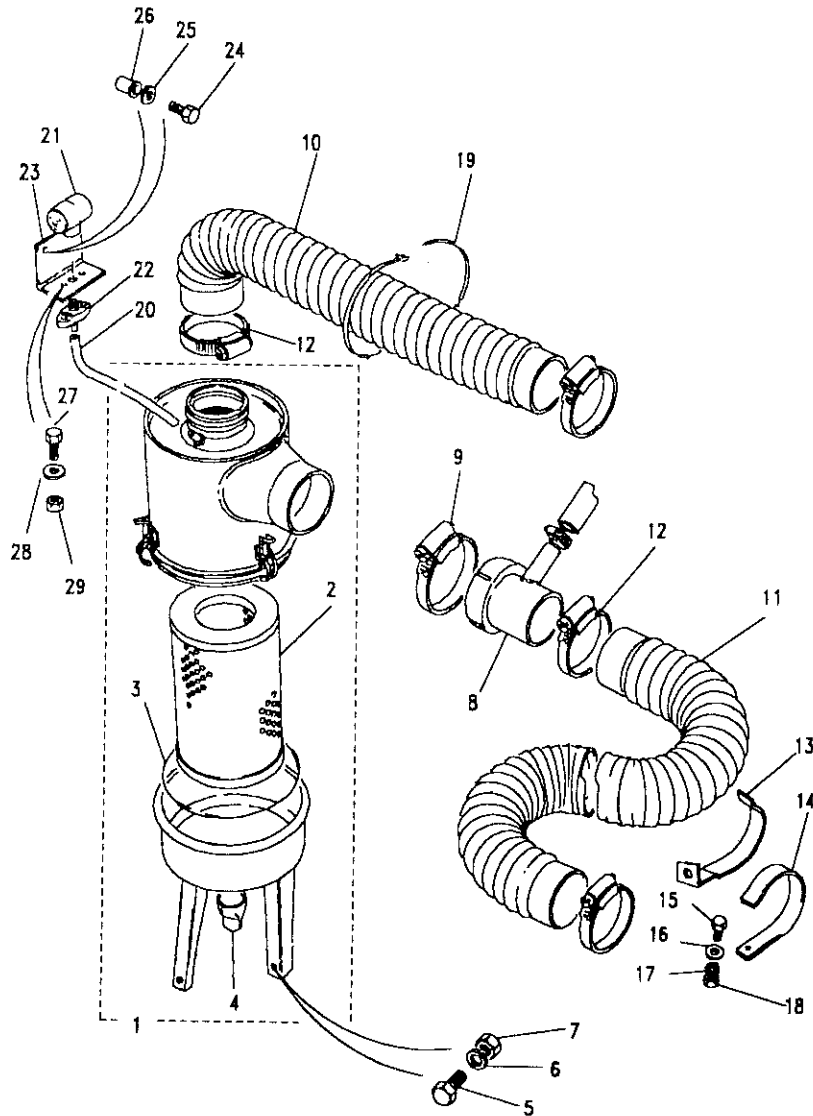
III. Part No.	Description	Qty	Remarks
<b>Air cleaner to restriction indicator</b>			
14	NTC4187	1	) From VIN ) FA375498
15	NTC4611	1	
16	NTC4224	1	
17	RRC3011	1	)
18	SH106161L	2	
19	WA106041L	2	)
20	WL106001L	2	
21	NH106041L	2	)
22	SH106121L	2	
23	WL106001L	2	)
24	WA106041L	2	
25	NN106011L	2	)





Model DEFENDER 110 1987 onwards  
 Page AFJXPC2A

FUEL SYSTEM - AIR CLEANER - DIESEL TURBO



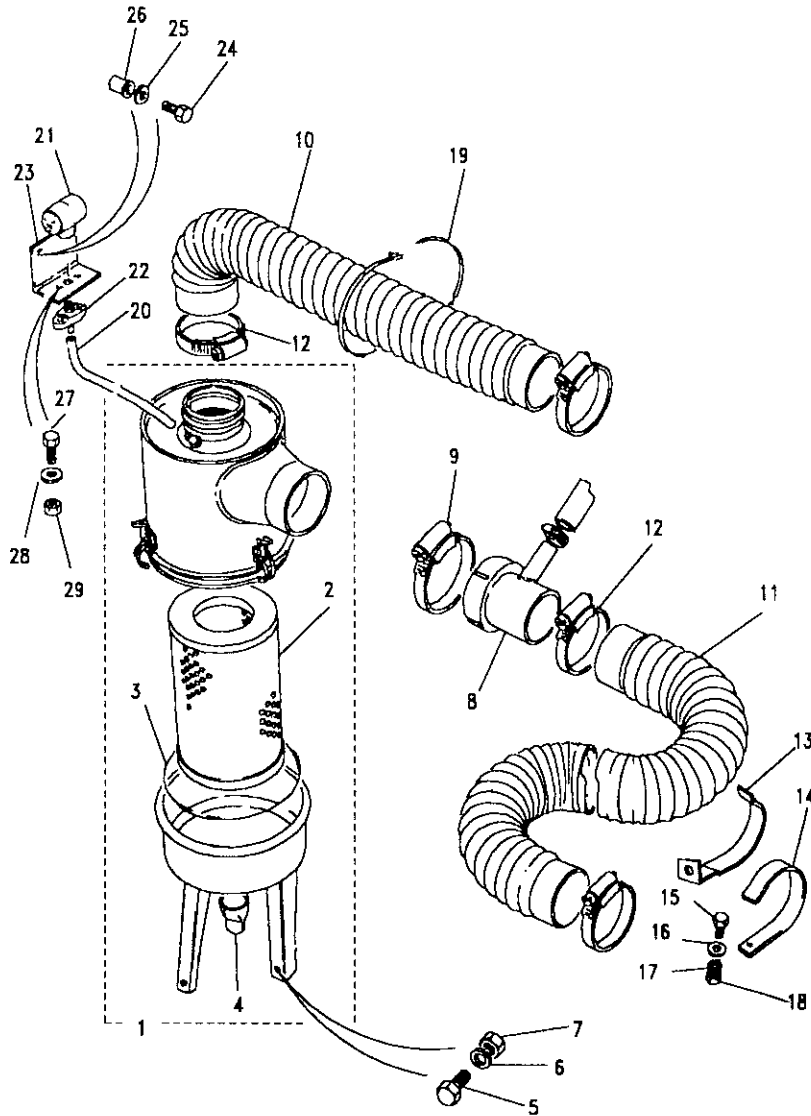
III. Part No.	Description	Qty	Remarks
1	NTC4183 Air cleaner assembly	1	
2	NRC9238 Element	1	
3	RRC3746 O ring	1	
4	NTC3751 Valve dump	1	
5	SH106121L Screw	3	
6	WL106001L Washer spring	3	
7	NH106041L Nut	3	
8	NTC4655 Adaptor air cleaner	1	
	RRC5528 Adaptor air cleaner	1	Note(1)
9	CJ600564 Clip hose	1	
10	NTC2660 Hose-air cleaner to turbo	1	
11	NTC2830 Hose-wing to air cleaner	1	
12	CJ600504 Clip hose	4	
13	NTC3778 Bracket retaining LHD	1	
	NTC3778 Bracket retaining RHD	1	Upto VIN 372172
14	ESR1004 Bracket retaining RHD	1	From VIN 372173





Model DEFENDER 110 1987 onwards  
Page AFJXPC2A

FUEL SYSTEM - AIR CLEANER - DIESEL TURBO



Ill. Part No.	Description	Qty	Remarks
15	SH106207L Screw	1	
16	WA106047L Washer plain	2	
17	WL106001L Washer spring	2	
18	NH106047L Nut	1	
19	594594 Cable Tie	1	
20	NTC4187 Hose-air clnr/indicator	1	
	RRC5727 Hose	1	Note(1)
21	RRC2800 Indicator restriction	1	Upto VIN 331869
	NTC4611 Indicator restriction	1	From VIN 331870
22	NTC4224 Flange adaptor	1	
23	RRC3011 Bracket support	1	
24	SH106121L Screw	2	
25	WL106047L Washer plain	2	
26	NN106011L Nutsert	2	
27	SH106161L Screw	2	
28	WA106041L Washer plain	2	
29	NH106041L Nut	2	

Note(1) For vehicles with raised air intake





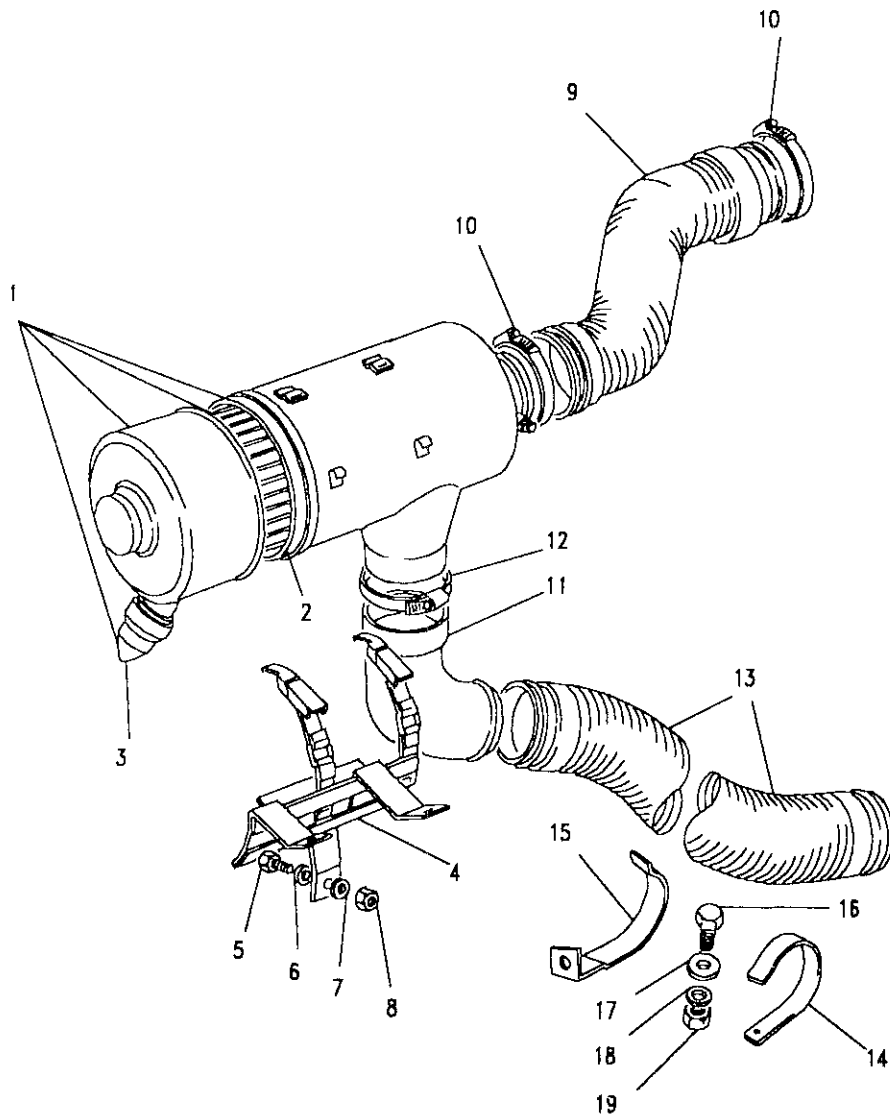
DEFENDER 110 1987 onwards

563

FUEL SYSTEM AND AIR CLEANER

Model DEFENDER 110 1987 onwards  
Page AFJXPC3A

FUEL SYSTEM - AIR CLEANER - 200TDI



III. Part No.	Description	Qty	Remarks
1	ESR370 Air cleaner assembly	1	
2	NTC6660 Element	1	
3	NRC9239 Nut wing and gasket	1	
4	NRC8955 Valve dump	1	
5	ESR276 Cradle	1	
6	FS106161 Screw	3	
7	WA106041L Washer plain	3	
8	WL106001L Washer spring	3	
9	NH106041L Nut	3	
10	ESR415 Hose-air cleaner to turbo	1	
11	STC128 Clip hose	2	
12	ESR228 Elbow	1	
13	CN100908L Clip hose	1	
14	ESR184 Hose-intake to air clnr	1	
15	ESR1004 Bracket retaining	1	RHD
16	NTC3778 Bracket retaining	1	LHD
17	SH106207L Screw	1	
18	WA106047L Washer plain	2	
19	WL106007L Washer spring	2	
	NH106047L Nut	1	





Model DEFENDER 110 1987 onwards

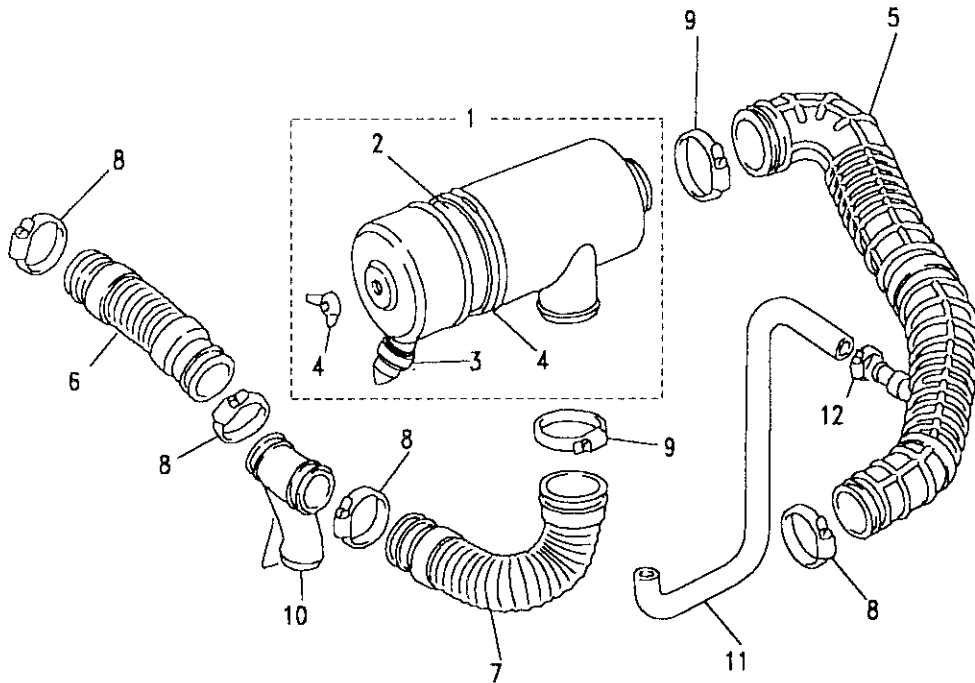
Page AFJXPC3B

FUEL SYSTEM - AIR CLEANER - 300TDI

III. Part No. Description Qty Remarks

Air cleaner assembly

1	ESR2102	Air cleaner asseembly	1
2	ESR2623	Filter element	1
3	NRC8955	Valve dump	1
4	NRC9239	Nut & gasket	1
5	ESR2731	Hose air cleaner to turbo	1
6	ESR3028	Hose intake to dump valve	1
7	ESR3032	Hose dump to air cleaner	1
8	CN100708	Clip hose	4
9	CN100908	Clip hose	2
10	ESR3162	Dump valve & bracket assy	1
11	ERR4926	Hose cyclone to a/cleaner	1
12	CN100258	Clip hose	1

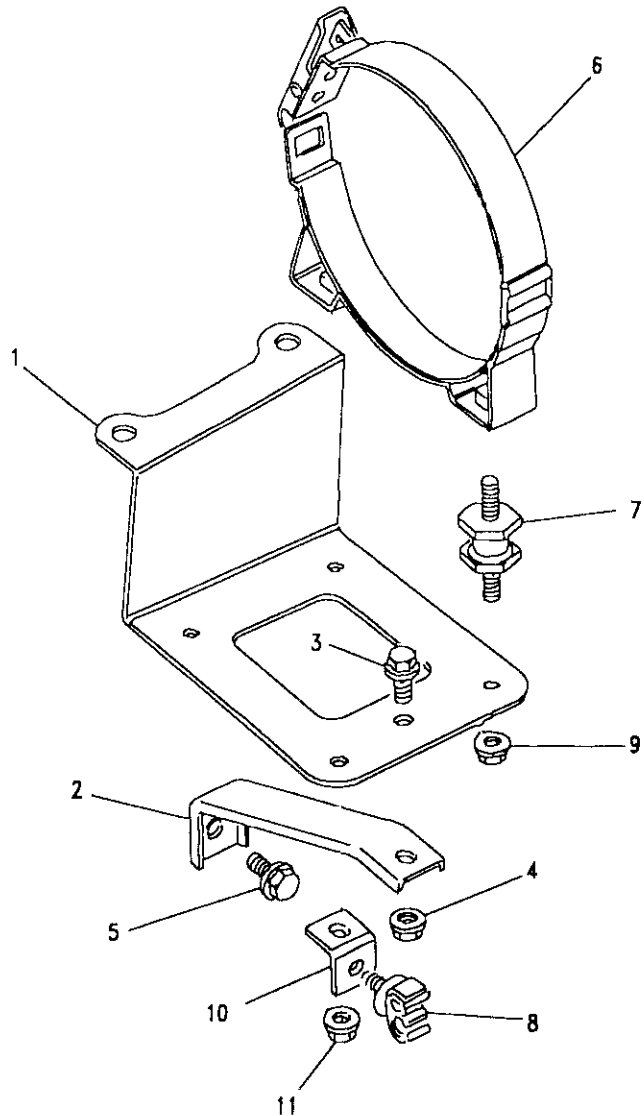




**Model** DEFENDER 110 1987 onwards  
**Page** AFJXPC3C

**FUEL SYSTEM - AIR CLEANER - 300TDI**

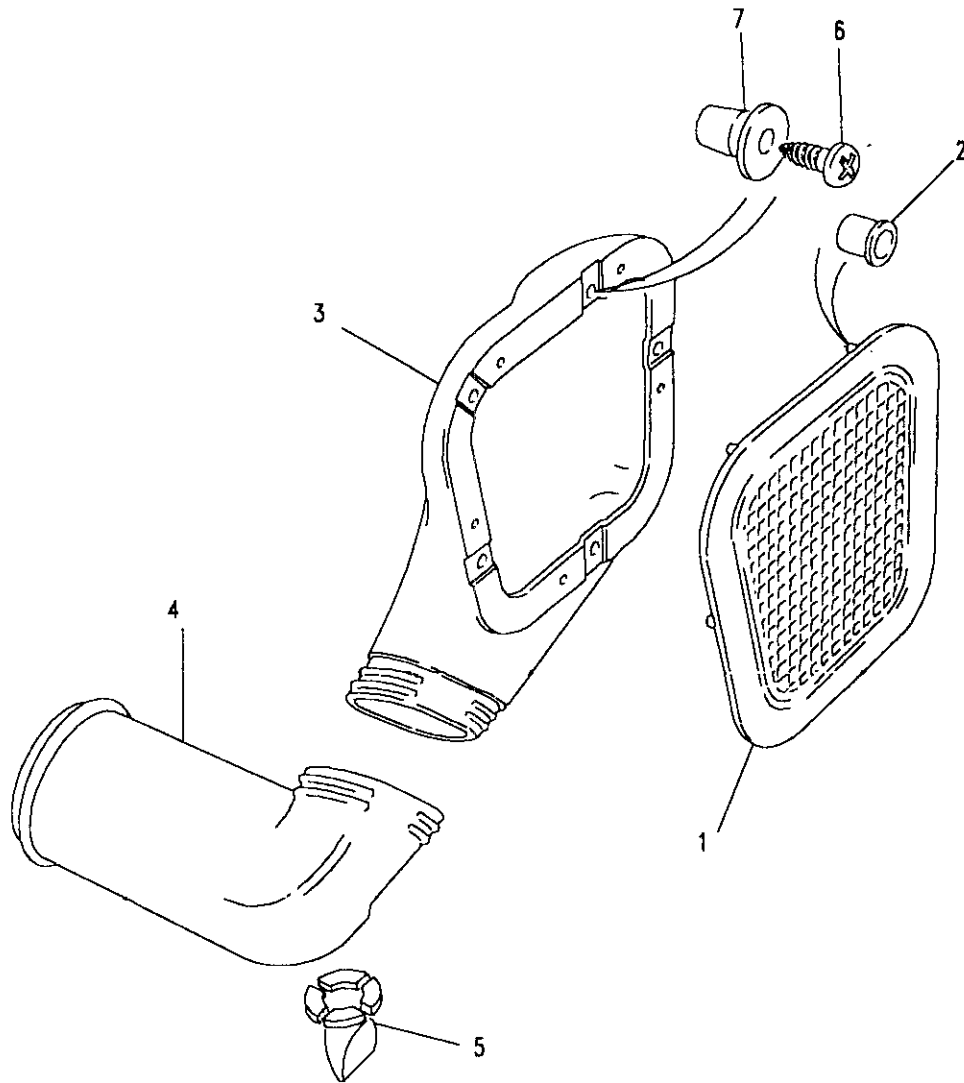
III. Part No.	Description	Qty	Remarks
<b>Air cleaner mountings</b>			
1	ERR2850	1	Bracket mounting air clean
2	ERR2851	1	Strut air cleaner bracket
3	FS108161L	1	Screw flange
4	FN108041L	1	Nut flanged
5	FS108201L	1	Screw flange
6	ERR4688	2	Strap air cleaner
7	ERR2337	4	Mounting rubber flexible
8	ESR1373	1	Clip pipe
9	FN106047L	2	Nut flanged
10	NRC2089	1	Bracket mounting rear
11	FN106047L	2	Nut flanged





Model DEFENDER 110 1987 onwards  
Page AFJXPC5A

FUEL SYSTEM - AIR INTAKE - DIESEL TURBO & 200TDI



III. Part No.	Description	Qty	Remarks
1	MWC2501 Grille air intake	1	
2	359526 Bush badge fixing	5	
3	MWC1826 Duct air	1	Upper
4	MWC1827 Duct air	1	Lower
5	MUC2417 Valve dump	1	
6	AB608047 Screw	5	
7	AFU1926L Nut captive	5	

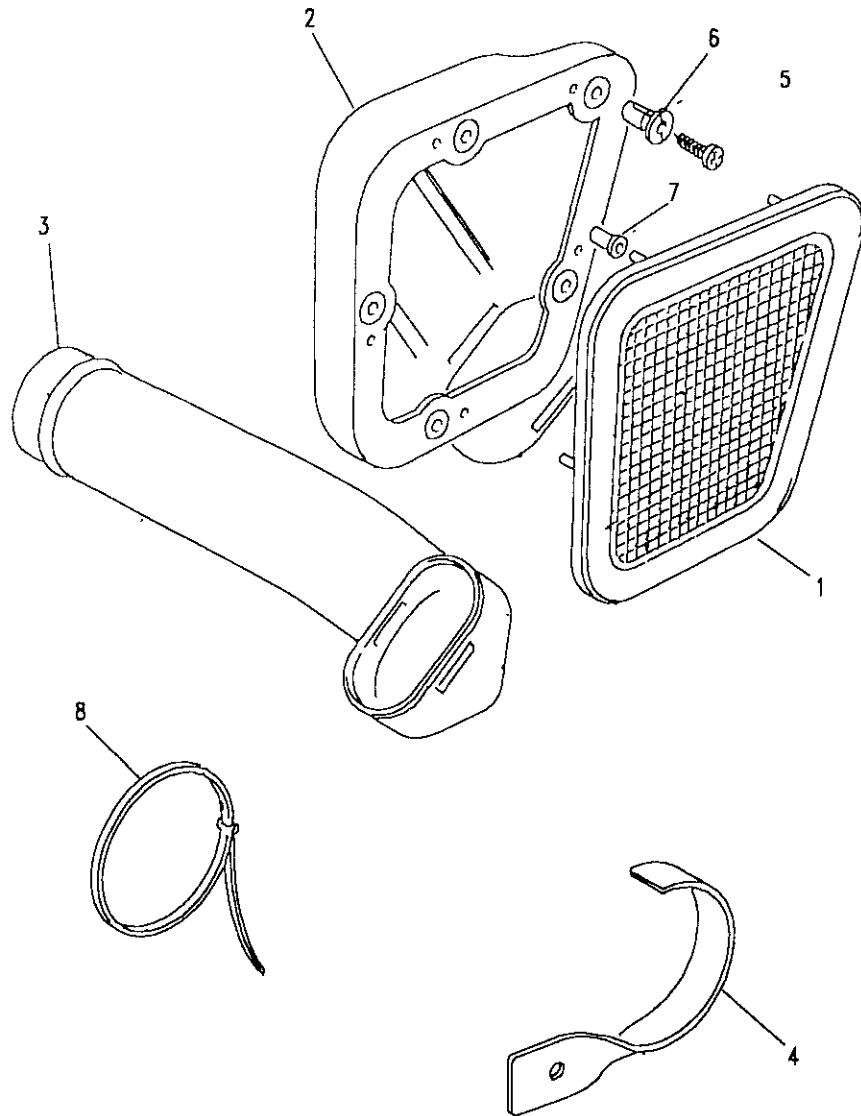




DEFENDER 110 1987 onwards

567

FUEL SYSTEM AND AIR CLEANER



Model DEFENDER 110 1987 onwards  
 Page AFJXPC5B

FUEL SYSTEM - AIR INTAKE - 300TDI

III. Part No.	Description	Qty	Remarks
<b>Air intake</b>			
1	BTR6188	1	Grille air intake
2	ESR3173	1	Duct air upper RH
3	ESR3175	1	Duct air lower RH
4	ESR2315	1	Bracket intake support
5	AB608041	5	Screw - air duct
6	AFU1926	5	Nut captive
7	AJU1136	5	Stud anchor
8	359526	5	Bush friction
9	594594	1	Tyrap strap





Model DEFENDER 110 1987 onwards

Page AFJXPC4A

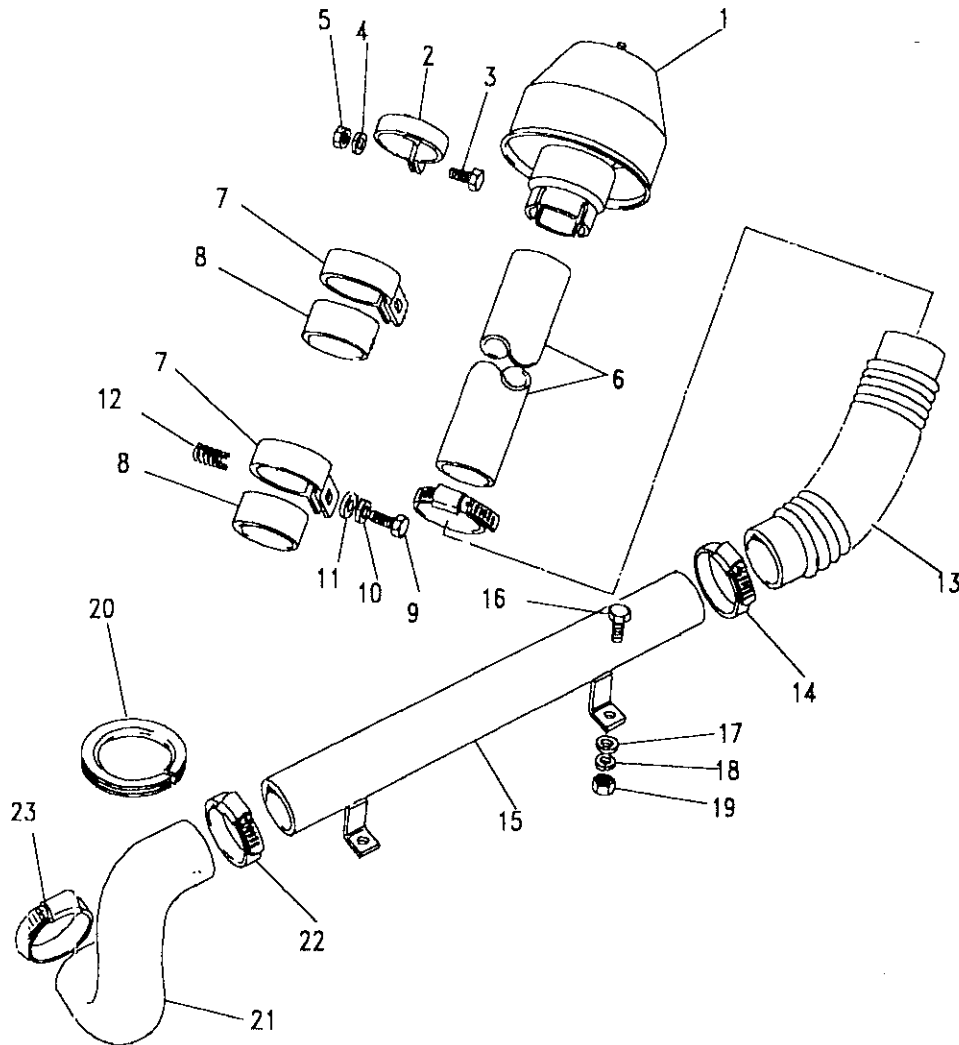
FUEL SYSTEM - RAISED AIR CLEANER - 4 CYLINDER

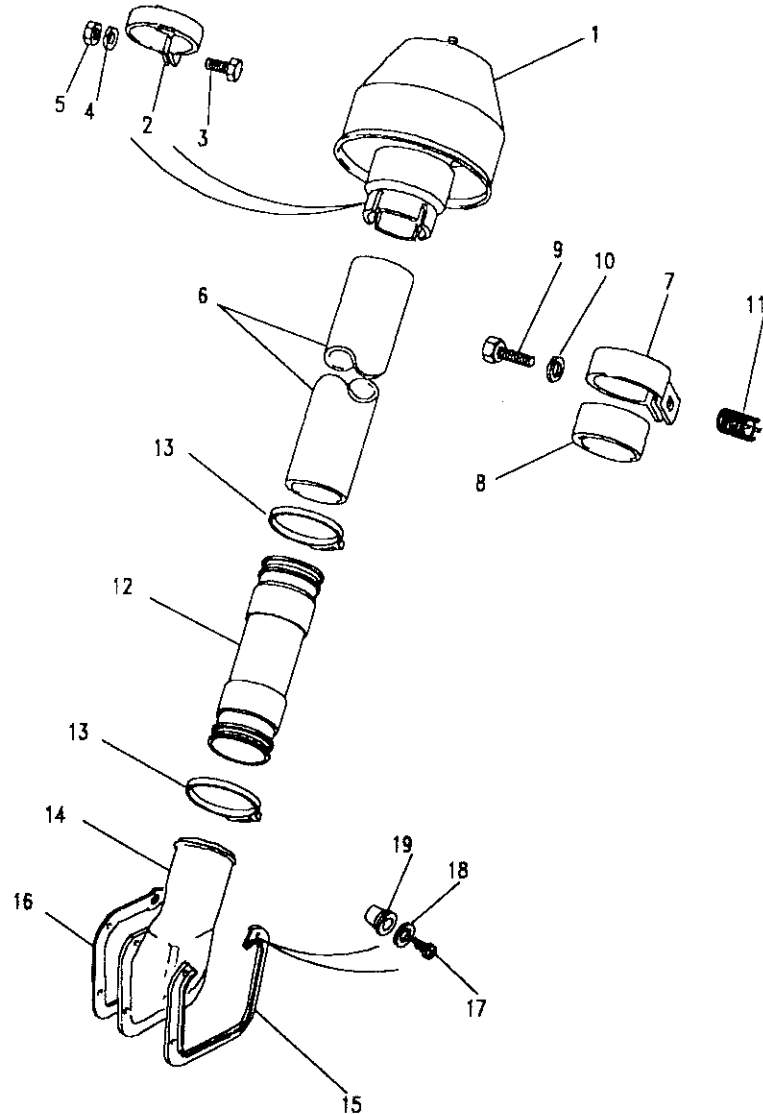
III. Part No. Description Qty Remarks

Not suitable for 200Tdi - Note(1)

Part No.	Description	Qty	Remarks
1	NRC6920 Air cleaner assembly	1	Raised
2	NRC6919 Clamp air cleaner	1	
3	FS106201L Flange screw	1	
4	WL106001L Washer spring	1	
5	NH106041L Nut	1	
6	NRC7457 Pipe air cleaner	1	
7	NRC7154 Clamp pipe	2	Upto VIN 323866
7	NTC4257 Clamp pipe	2	From VIN 323867
8	276426 Seal	2	
9	FS106201L Flange screw	2	
10	WA106041L Washer plain	2	
11	WL106001L Washer spring	2	
12	ML106015 Insert helicoil	2	
13	NRC6254 Hose	1	
14	CJ600504L Clip hose	2	
15	NRC9107 Pipe assembly	1	
16	SH106121L Screw	4	
17	WA106041L Washer plain	4	
18	WL106001L Washer spring	4	
19	NH106041L Nut	4	
20	MTC7513 Strip seal	A/R	
21	NRC8984 Hose (to air cleaner)	1	
22	CJ600504L Clip hose	1	
23	RTC3518 Clip hose	1	

Note(1) 200Tdi - see page 569



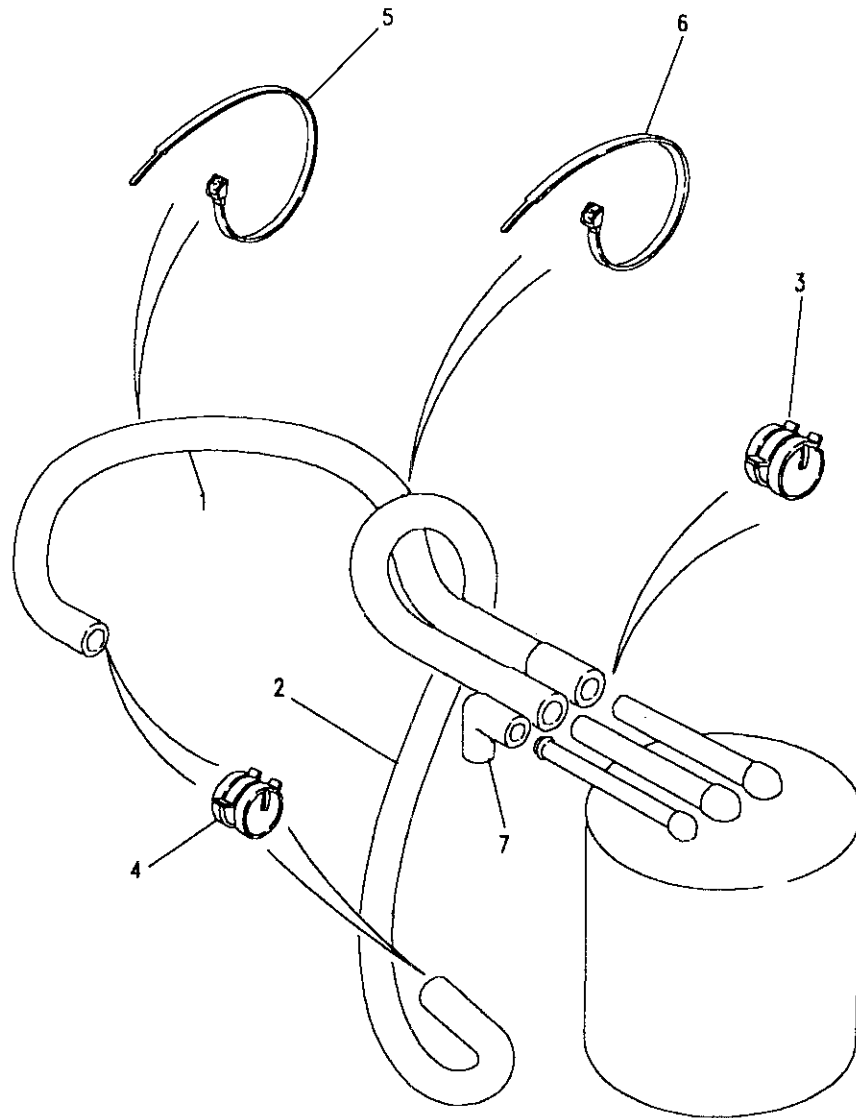


Model DEFENDER 110 1987 onwards  
 Page AFJXPC6A

FUEL SYSTEM - RAISED AIR CLEANER - 200TDI

III. Part No.	Description	Qty	Remarks
1	NRC6920 Air cleaner assembly	1	Raised
2	NRC6919 Clamp air cleaner	1	
3	SH106207L Screw	1	
4	WA106047L Washer plain	1	
5	NH106047L Nut	1	
6	NRC7457 Pipe air cleaner	1	
7	NTC4257 Clamp pipe	2	
8	276426 Seal	2	
9	SH106207L Screw	2	
10	WA106047L Washer plain	2	
11	ML106015 Insert helicoil	2	
12	ESR1128 Hose	1	
13	ESR1269 Clip hose	2	
14	ESR1127 Duct air	1	
15	ESR1225 Clamp	1	
16	ESR1265 Gasket	1	
17	AB608067L Screw	6	
18	WA105001L Washer plain	6	
19	AJU1136L Snapsac	5	





**Model** DEFENDER 110 1987 onwards  
**Page** AFJXTA1A

**FUEL SYSTEM - EVAPORATIVE LOSS - 4 CYLINDER PETROL**

III. Part No.	Description	Qty	Remarks
<b>Carburettor to canister</b>			
1 ETC6932	Hose	1	
<b>Engine to canister</b>			
2 ETC5397	Hose	1	
3 UKC3798L	Clamp hose	2	
4 UKC3803L	Clamp hose	2	
5 UKC6683L	Strap	1	
6 C45099	Strap	1	
7 577458	Elbow rubber	1	

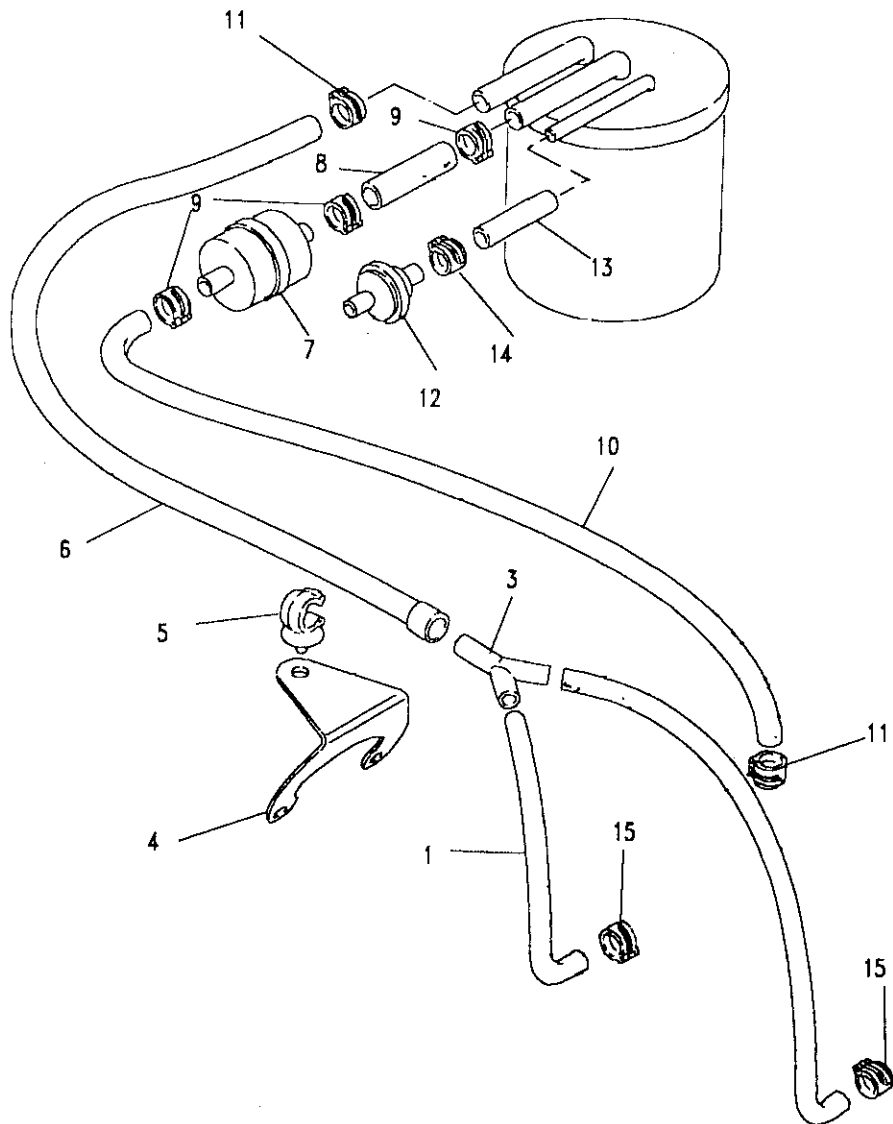




DEFENDER 110 1987 onwards

571

FUEL SYSTEM AND AIR CLEANER



**Model** DEFENDER 110 1987 onwards  
**Page** AFJXTA2A

**FUEL SYSTEM - EVAPORATIVE LOSS - V8 PETROL**

Ill. Part No.	Description	Qty	Remarks
<b>Y piece to carburetter</b>			
1	NTC3763	1	Hose
2	NTC3764	1	Hose 110mm 293mm
3	566724L	1	Y piece
4	NTC3862	1	Bracket support
5	NTC3863	1	Pipe clip
<b>Y piece to filter</b>			
6	NTC3766	1	Hose
7	606168	1	Filter
<b>Filter to canister</b>			
8	ERC4176	1	Hose RHS
	ETC5397	1	Hose LHS
9	UKC3794L	3	Clamp hose

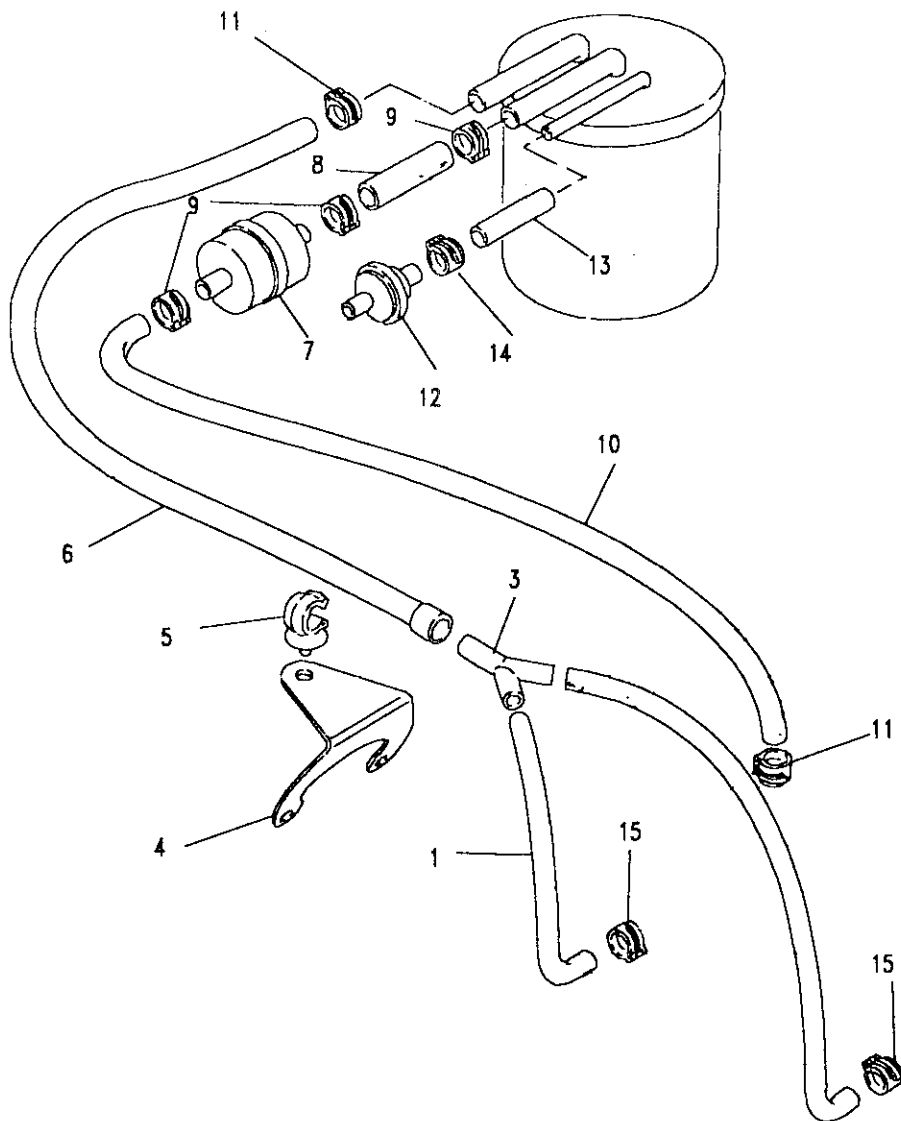




Model DEFENDER 110 1987 onwards  
Page AFJXTA2A

FUEL SYSTEM - EVAPORATIVE LOSS - V8 PETROL

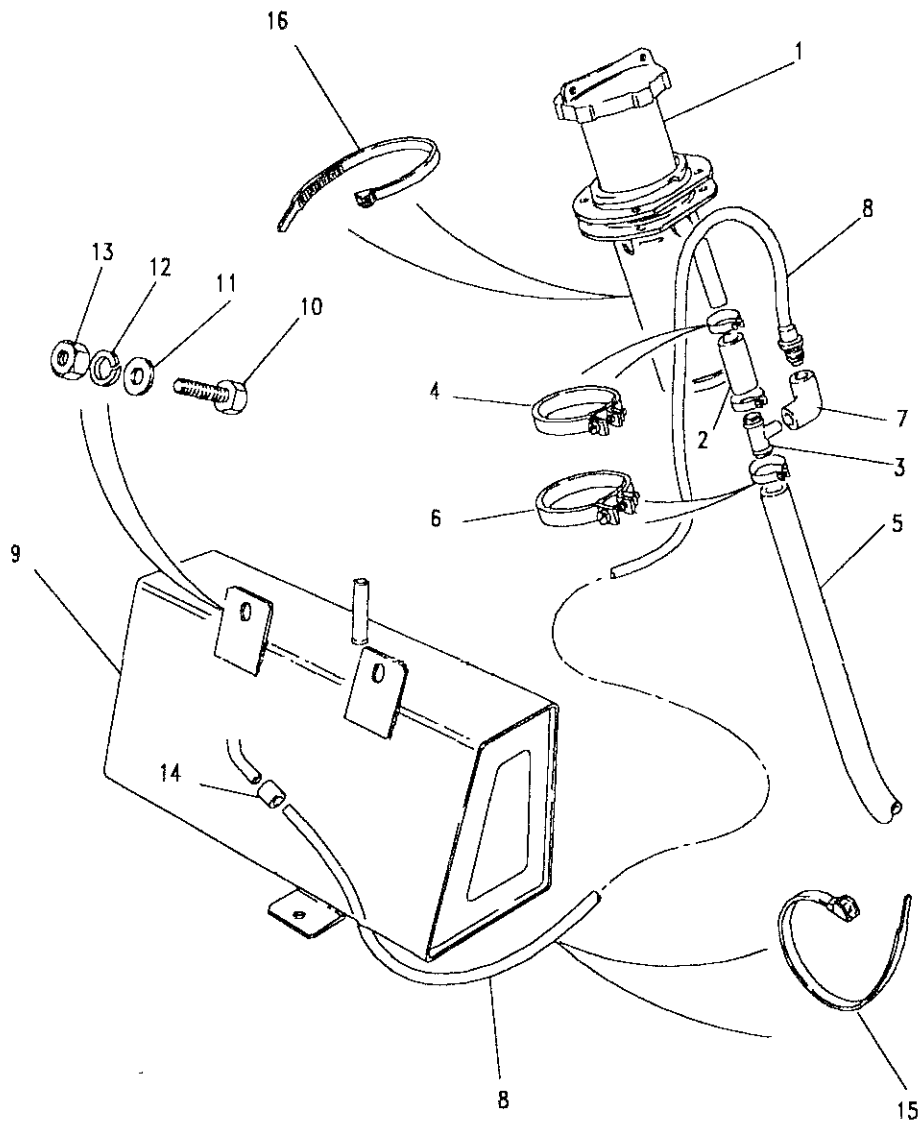
III. Part No.	Description	Qty	Remarks
<b>Engine to canister</b>			
10	ETC5398	1	RHS
	ERC3955	1	LHS
11	UKC3798L	2	
12	NTC3891	1	
<b>Valve to canister</b>			
13	ERC4176	1	
14	UKC3795L	1	
15	UKC3803L	2	



**Model** DEFENDER 110 1987 onwards  
**Page** AFJXTA3A

**FUEL SYSTEM - EVAPORATIVE LOSS - HCPU - SINGLE FUEL TANK**

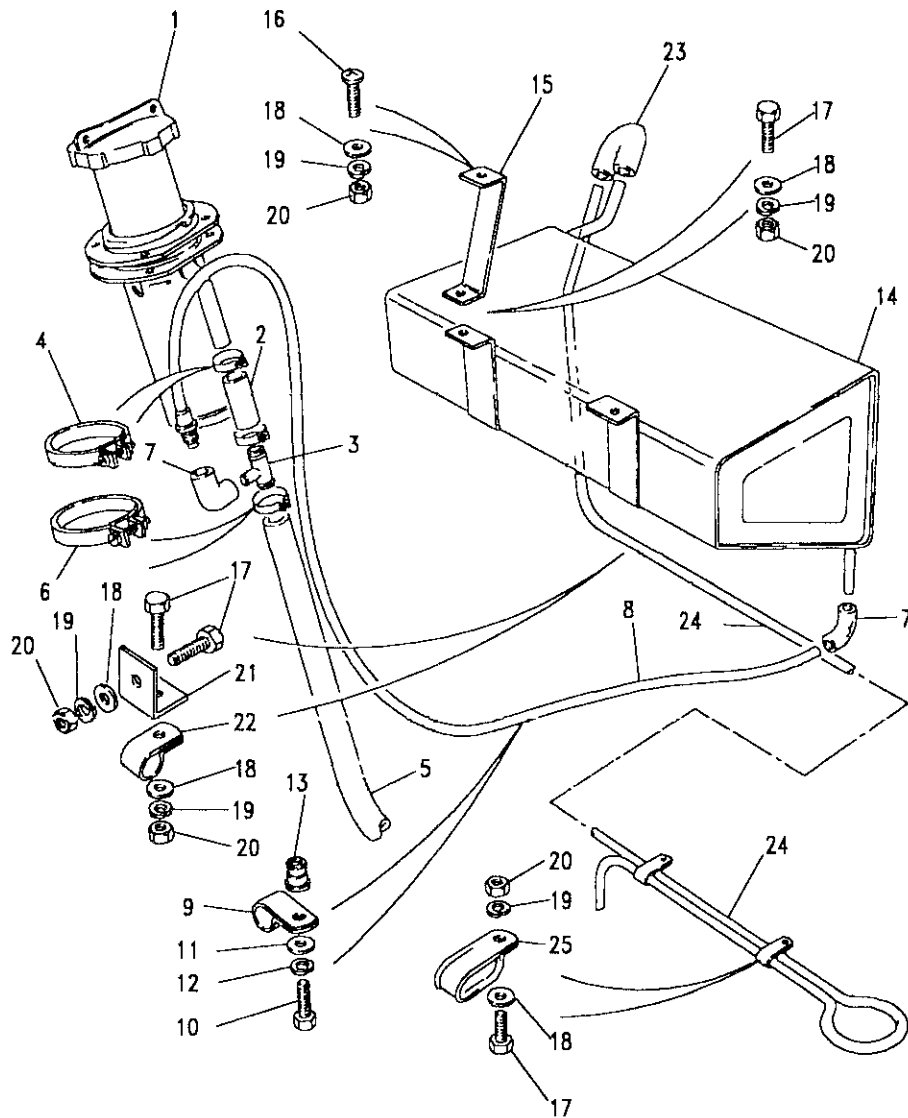
III. Part No.	Description	Qty	Remarks
1	NRC2536 Fuel Filler	1	
2	NRC2159 Connection hose	1	
3	NRC2652 Tee Piece	1	
4	CN100168L Clip hose	3	
5	ESR1287 Hose breather	1	Australia
6	603887 Clip hose	1	
7	577458 Elbow rubber	2	
8	NRC9508 Pipe	1	
9	NRC9472 Catch tank	1	
10	FS108251L Screw	2	
11	WA108051L Washer plain	2	
12	WL108001L Washer spring	2	
13	FN108041L Nut	2	
14	577459 Connector	1	
<b>Pipe to tie bar</b>			
15	C45099L Cable Tie	1	
<b>To fuel filler neck</b>			
16	UKC6683L Cable Tie	1	





Model DEFENDER 110 1987 onwards  
Page AFJXTA4A

FUEL SYSTEM - EVAP LOSS - STATION WAGON - SINGLE FUEL TANK



III. Part No.	Description	Qty	Remarks
1	NRC2536 Fuel Filler	1	
2	NRC2159 Connection hose	1	
3	NRC2652 Tee piece	1	
4	CN100168L Clip hose	3	
5	NRC2214 Hose breather	1	
6	603887 Clip hose	1	
7	577458 Elbow rubber	2	
8	NRC2195 Pipe	1	
9	CP105081 Clip retaining	2	
10	SH105121 Screw	3	
11	WA105001 Washer plain	3	
12	WL105001 Washer spring	3	
13	NN105011 Nutsert	3	





DEFENDER 110 1987 onwards

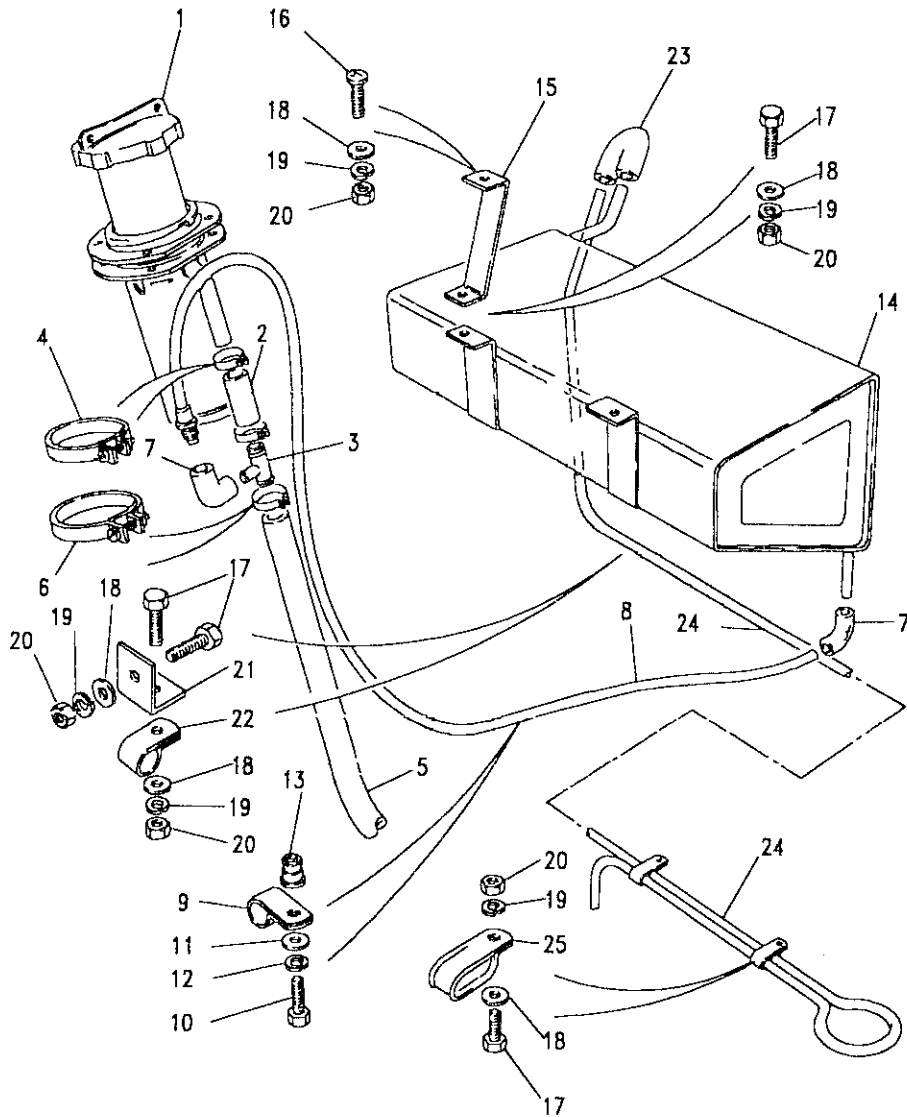
575

FUEL SYSTEM AND AIR CLEANER

Model DEFENDER 110 1987 onwards  
Page AFJXTA4A

FUEL SYSTEM - EVAP LOSS - STATION WAGON - SINGLE TANK

III. Part No.	Description	Qty	Remarks
14	592326	1	Catch tank
15	NRC2087	2	Bracket mounting
16	SE106161	2	Screw
17	SH106161	6	Screw
18	MRC5695	6	Washer plain
19	WL106001	8	Washer spring
20	NH106041L	8	Nut
21	NRC2089	2	Bracket mounting
22	CP106081	2	Clip retaining
23	611110	1	Connector
24	NRC2015	1	Pipe
25	543589	2	Clip retaining

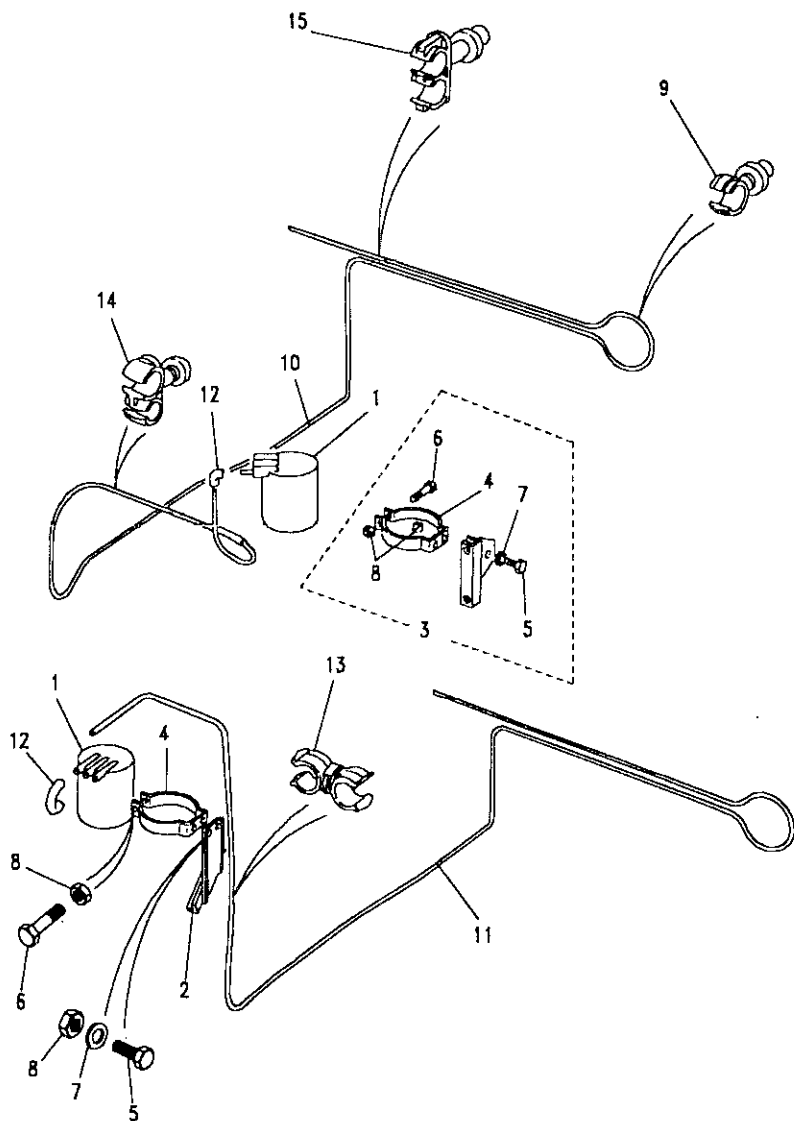




**Model** DEFENDER 110 1987 onwards  
**Page** AFJXTA5A

**FUEL SYSTEM - EVAPORATIVE LOSS - HCPU**

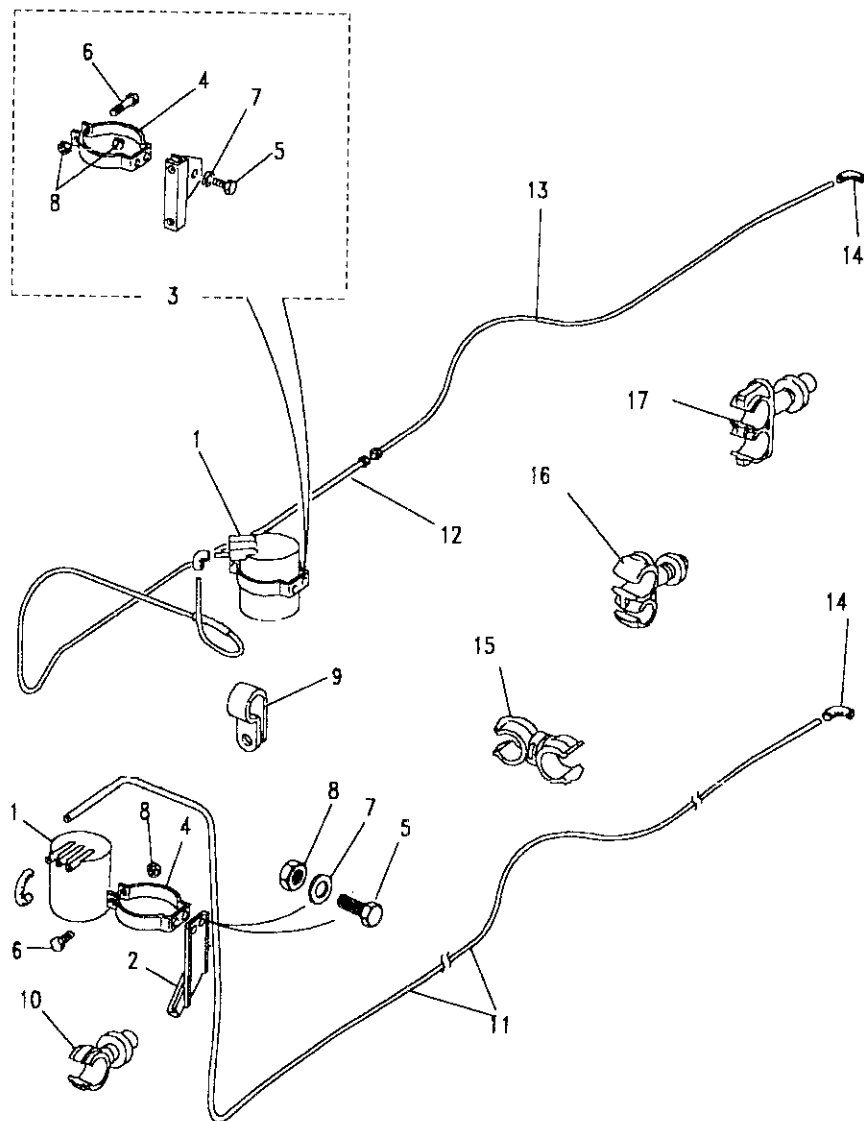
III. Part No.	Description	Qty	Remarks
1	AFU1085L	1	
2	NRC5844	1	Australia No longer available
3	ESR1278	1	
4	NRC4776	1	
5	SH106141L	2	
6	SH106351L	1	
7	WL106001L	2	
8	NY106041L	3	
9	79122	4	
<b>Canister to catch tank</b>			
10	NTC1048	1	
11	NRC9507	1	Australia
12	577458	2	
13	NTC3333	7	
14	NRC5415	2	V8
15	79158	3	
	CP108081L	1	



Model DEFENDER 110 1987 onwards

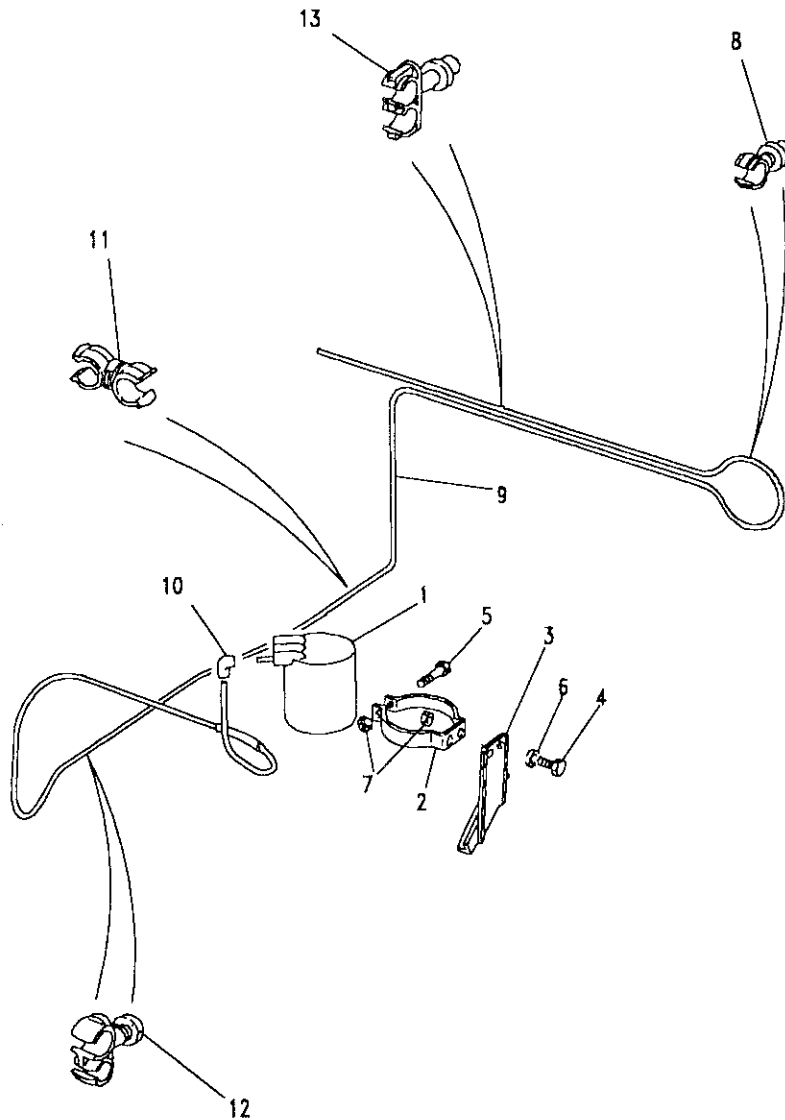
Page AFJXTA6A

FUEL SYSTEM - EVAP LOSS - REGULAR AND STATION WAGON



III. Part No.	Description	Qty	Remarks
1 AFU1085L	Canister charcoal	1	
2 NRC5844	Bracket support	1	Australia No longer available
3 ESR1278	Bracket support	1	
4 NRC4776	Clamp	1	
5 SH106141L	Screw	2	
6 SH106351L	Screw	1	
7 WL106001L	Washer spring	2	
8 NY106041L	Nut	3	
9 CP108081L	Clip retaining	1	Australia
10 79122	Pipe Clip	3	
11 NRC5818	Pipe	1	Note(1)
12 NRC9862	Pipe front	1	Note(2)
13 NRC9863	Pipe rear	1	Note(2)
14 577458	Elbow rubber	2	
15 AFU1077L	Clip swivel	6	
16 NRC5415	Pipe Clip	3	V8
17 79158	Pipe Clip	1	

Note(1) Station Wagon - single fuel tank - RHS Regular and Station Wagon - dual fuel tanks - LHS  
 Note(2) Station Wagon - single fuel tank - LHS



**Model** DEFENDER 110 1987 onwards  
**Page** AFJXTA7A

**FUEL SYSTEM - EVAPORATIVE LOSS - DEFENDER 130**

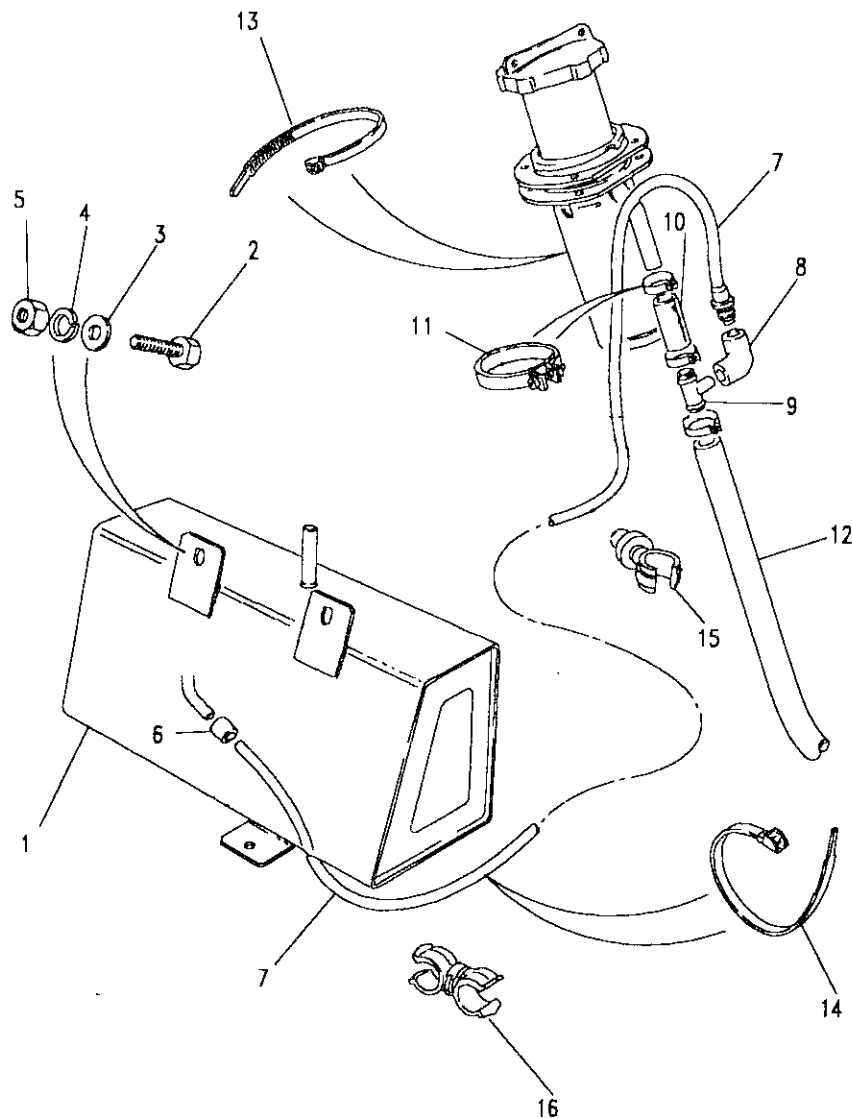
III. Part No.	Description	Qty	Remarks
1	AFU1085L	1	Canister charcoal
2	NRC4776	1	Clamp support
3	NRC9865	1	Bracket support
4	SH106141L	2	No longer available
5	SH106351L	1	Screw
6	WL106001L	2	Washer spring
7	NY106041L	1	Nut
8	79122	2	Pipe clip
9	NTC1048	1	Pipe
10	577458	2	Elbow rubber
11	NTC3333	4	Clip swivel
	NTC3333	2	Clip swivel
	NTC3333	6	Clip swivel
12	NRC5415	2	Pipe Clip
13	79158	3	Pipe Clip

Note(1) Chassis cab - single fuel tank  
 Note(2) Chassis cab - twin fuel tanks  
 Note(3) Crew cab - single fuel tank



Model DEFENDER 110 1987 onwards  
 Page AFJXTA8A

FUEL SYSTEM - EVAP LOSS SINGLE FUEL TANK - DEFENDER 130



III. Part No.	Description	Qty	Remarks
1	NRC9472	1	Catch tank
2	FS108251L	2	Screw
3	WA108051L	2	Washer plain
4	WL108001L	2	Washer spring
5	FN108041L	2	Nut
6	577459	1	Connector
7	ESR419	1	Pipe
	ESR421	1	Pipe
8	577458	1	Elbow
9	NRC2652	1	Tee piece
10	NRC2159	1	Connection
11	CN100168L	3	Clip hose
12	ESR1287	1	Pipe breather
13	UKC6683L	1	Cable tie
14	C45099	1	Cable tie
15	79122	2	Pipe clip
16	NTC3333	4	Clip swivel
	NTC3333	3	Clip swivel





MASTER INDEX

	PAGES
INTRODUCTION PAGES	1 - 7
ALPHABETICAL INDEX	8 - 16
ENGINE	17 - 66
ENGINE	67 - 119
ENGINE	120 - 166
ENGINE	167 - 209
ENGINE	210 - 245
ENGINE	246 - 299
GEARBOX	300 - 326
GEARBOX	327 - 344
GEARBOX	345 - 359
TRANSFER BOX	360 - 378
TRANSFER BOX	379 - 397
AXLES AND SUSPENSION	398 - 444
STEERING	445 - 471
VEHICLE AND ENGINE CONTROLS	472 - 486
BRAKES	487 - 517
FUEL SYSTEM AND AIR CLEANER	518 - 579
EXHAUST SYSTEM	580 - 593
COOLING/HEATING	594 - 637
COOLING/HEATING	638 - 641
COOLING/HEATING	642 - 649
COOLING/HEATING	650 - 655
COOLING/HEATING	656 - 666
BODY ELECTRICAL	667 - 740
BODY AND CHASSIS	741 - 909
INTERIOR TRIM	910 - 955
SEATS	956 - 1036
STOWAGE	1037 - 1046
ACCESSORIES - PAINTS	1047 - 1074
NUMERICAL INDEX	1076 - 1151

GROUP K

EXHAUST SYSTEM

EXHAUST SYSTEM	
FRONT - 4 CYL PETROL & NAT ASP DIESEL	581 - 582
FRONT - V8	583 - 584
REAR - PETROL AND NAT ASP DIESEL	585 - 586
FRONT - DIESEL TURBO	587 - 589
REAR - DIESEL TURBO	590
FRONT - TDI	591
REAR - TDI	592
REAR - 200TDI	593

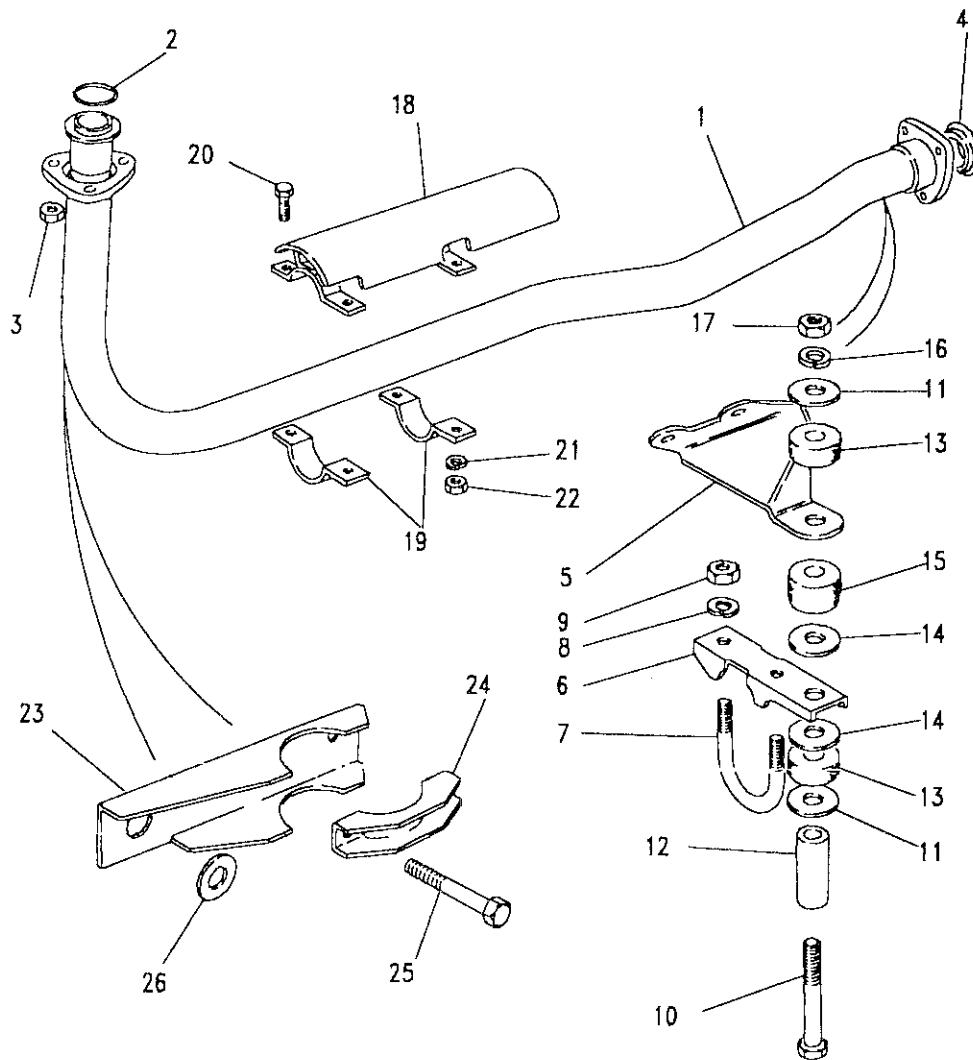




Model DEFENDER 110 1987 onwards  
Page AFKXAA1A

## EXHAUST SYSTEM - FRONT - 4 CYL PETROL &amp; NAT ASP DIESEL

Ill. Part No.	Description	Qty	Remarks
1	NTC1794K Downpipe	1	Petrol
	NTC1793K Downpipe	1	Diesel
	ESR1617 Downpipe	1	Upto JA911705 Diesel
			From JA911706
2	ETC5337 Gasket exhaust	1	
3	AFU2778 Nut	3	
4	NTC1030 Olive	1	
5	NRC7778 Bracket mounting	1	
6	NRC6467 Clamp exhaust	1	Upto 290071
	90575748 Clamp exhaust	1	From 290072
7	NRC6466 U bolt	1	Upto 290071
	NRC6374 U bolt	1	From 290072
8	WL108001L Washer spring	2	
9	FN108041L Nut	2	
10	SH108701L Bolt	1	
11	WP105L Washer plain	2	
12	NRC5403 Spacer	1	
13	572166 Bush rubber	2	
14	572168 Washer plain	1	
15	572167 Bush rubber	1	
16	WL108001L Washer spring	1	
17	FN108041L Nut	1	
18	NTC5205 Heatshield exhaust	1	
19	NTC2278 Clamp exhaust	2	
20	FS108201L Screw	4	
21	WL108001L Washer spring	4	
22	FN108041L Nut	4	





Model DEFENDER 110 1987 onwards

Page AFKXAA1A

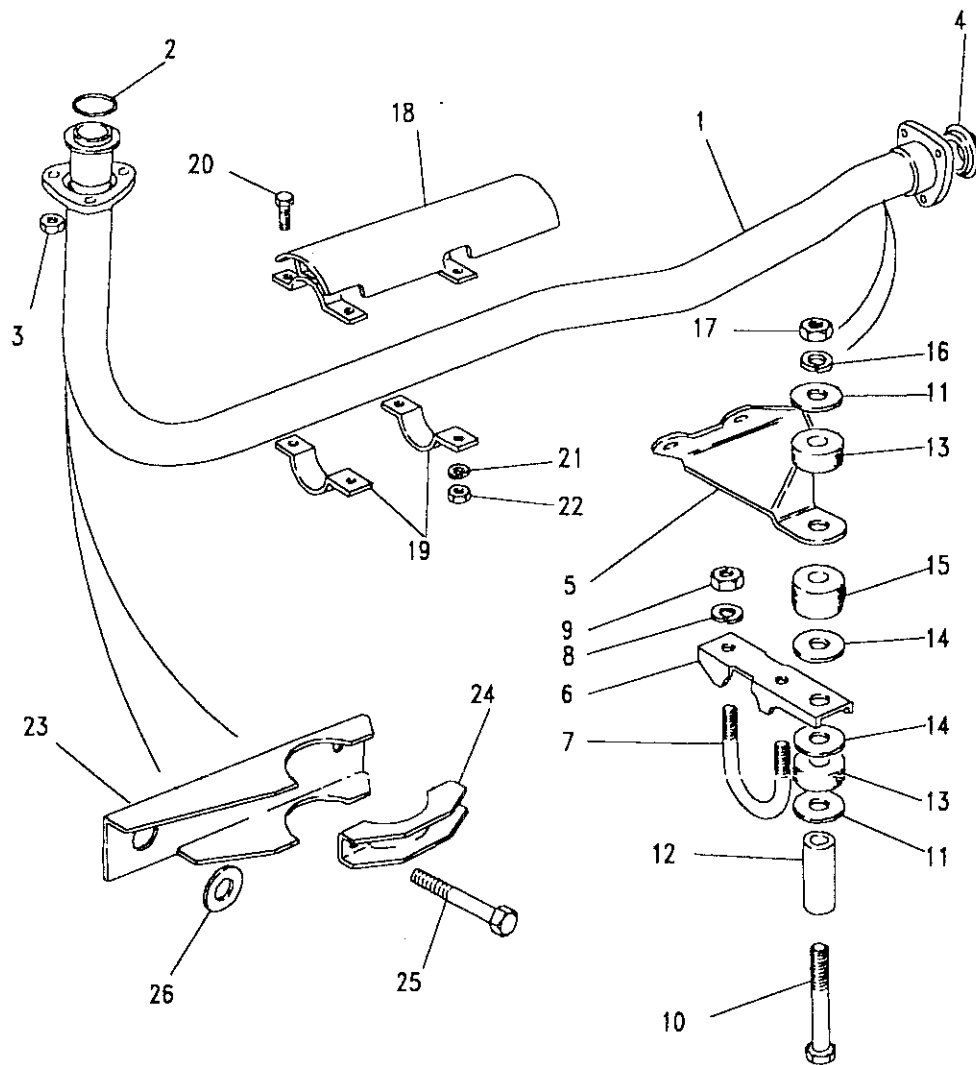
EXHAUST SYSTEM - FRONT - 4 CYL PETROL & NAT ASP DIESEL

III. Part No.

Description

Qty Remarks

23	NTC4580	Bracket support	1	)From EA290072
24	NTC4586	Clamp exhaust	1	)Upto EA338367
25	BH108131L	Bolt	2	)and
26	WC112081L	Washer plain	1	)From FA405333
				)onwards





DEFENDER 110 1987 onwards

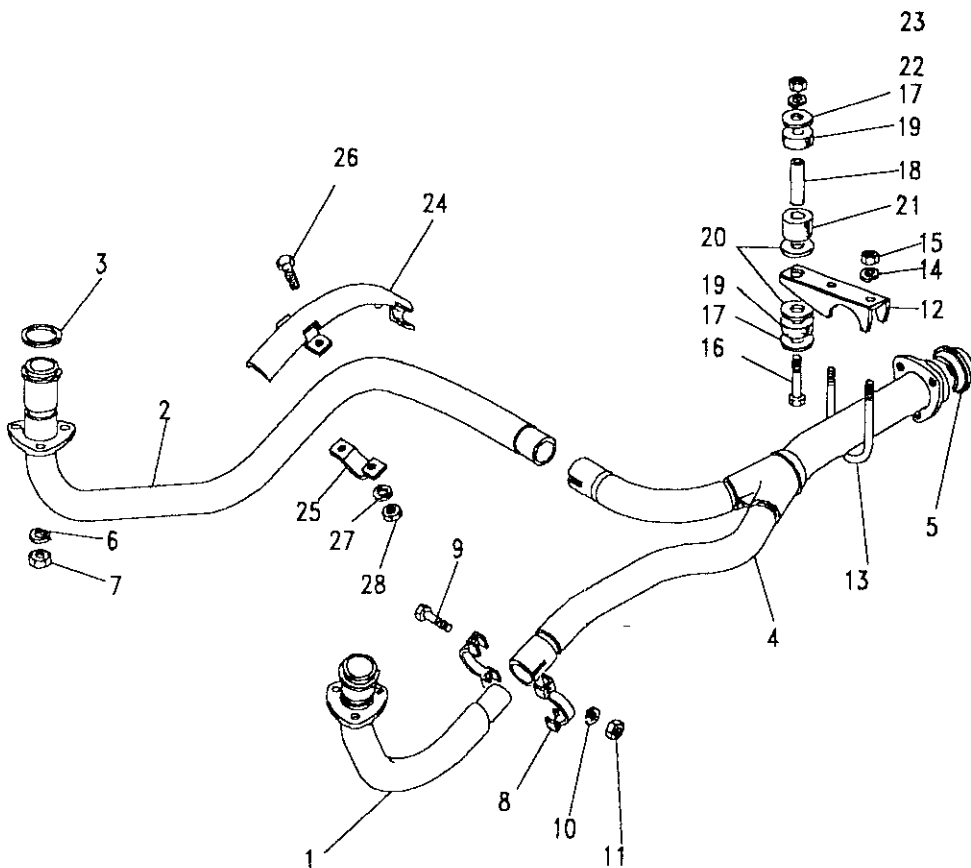
583

EXHAUST SYSTEM

Model DEFENDER 110 1987 onwards

Page AFKXAA2A

EXHAUST SYSTEM - FRONT - V8



Ill. Part No.	Description	Qty	Remarks
1	NTC1133K Downpipe LH	1	Upto FA403996
2	NTC1136K NRC4219 Downpipe assembly Downpipe LH	1	Upto FA403996 15/
	NRC6432 Downpipe RH	1	From FA403997
3	ERC2734 Gasket exhaust	1	From FA403997
4	NTC2726 Y piece	2	Upto FA403996
5	NTC1030 Olive	1	
6	WM600051L Washer spring	6	Upto FA403996
7	NH605041L NV605041L Nut	6	Upto FA403996
		6	From FA403997
8	90575511 Clamp exhaust	4	
9	BH108091L Bolt	4	
10	WL108001L Washer spring	4	
11	FN108041L Nut	4	
12	90575748 Clamp exhaust	1	
13	NRC6374 U bolt	1	
14	WL108001L Washer spring	2	
15	FN108041L Nut	2	
16	SH108701L Bolt	1	
17	WP105L Washer plain	2	
18	NRC5403 Spacer	1	
19	572166 Bush rubber	2	
20	572168 Washer plain	2	
21	572167 Bush rubber	1	
22	WL108001L Washer spring	1	
23	FN108041L Nut	1	



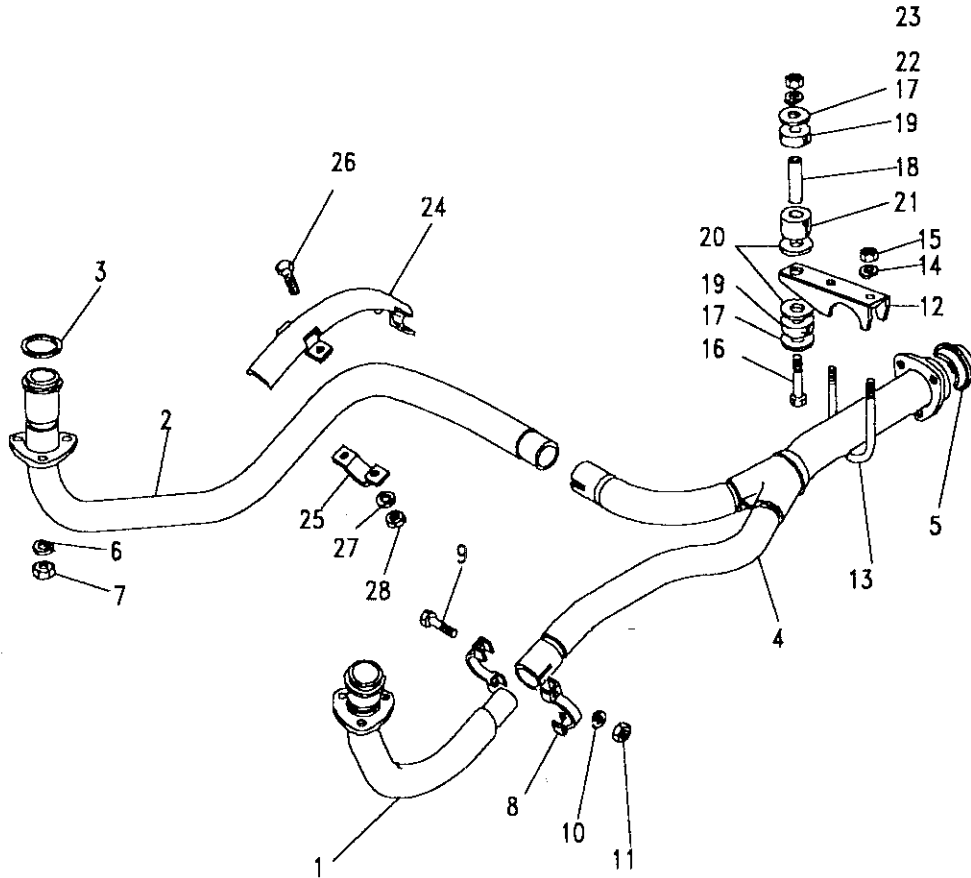




Model DEFENDER 110 1987 onwards  
Page AFKXAA2A

EXHAUST SYSTEM - FRONT - V8

III. Part No.	Description	Qty	Remarks
24	NRC9724 Heatshield exhaust	2	
25	NRC9722 Pipe Clip	4	
26	FS108201L Screw	8	
27	WL108001L Washer spring	8	
28	FN108041L Nut	8	

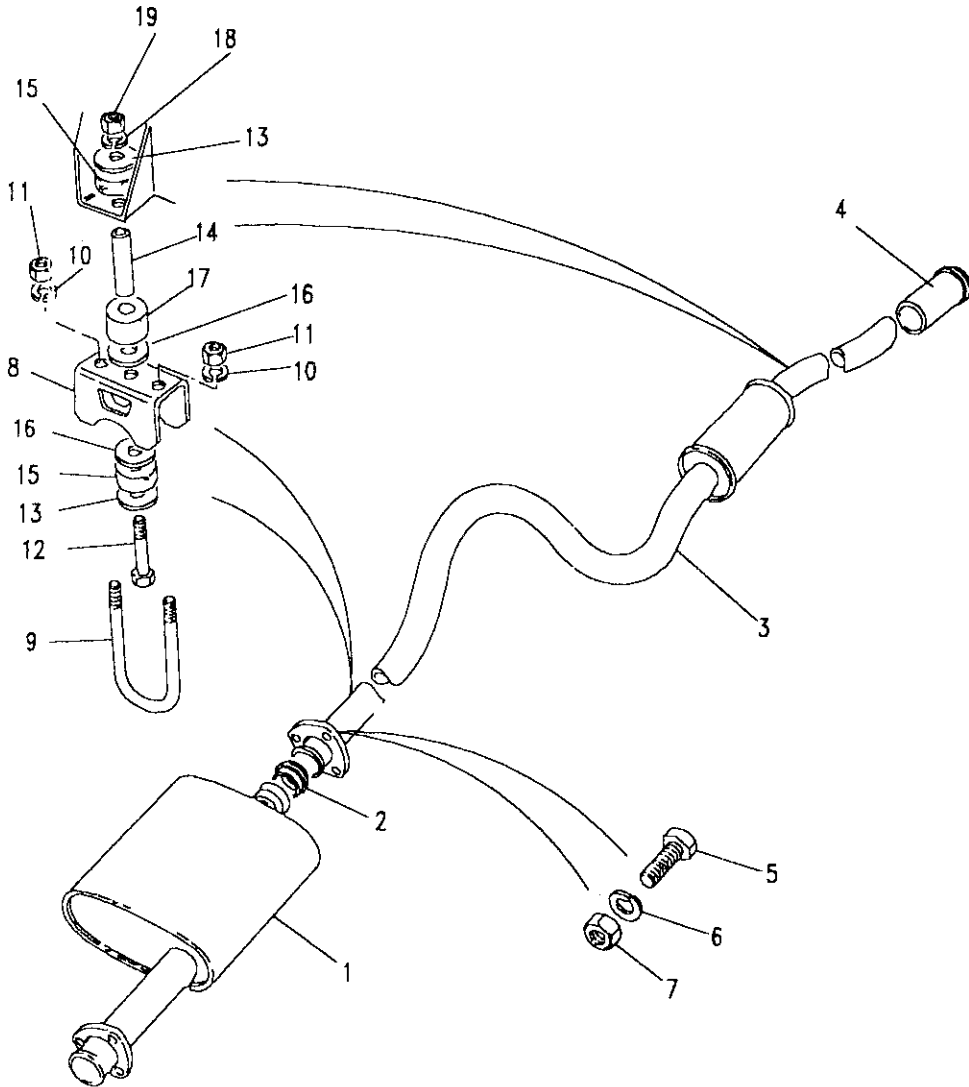




Model DEFENDER 110 1987 onwards  
 Page AFKXAA3A

EXHAUST SYSTEM - REAR - PETROL AND NAT ASP DIESEL

III. Part No.	Description	Qty	Remarks
1	NTC4614	1	Front
2	NTC2731	1	
3	NTC1800K	1	Note(1)
	NTC4617	1	Note(2)
	NTC2701K	1	Note(3)
4	NRC8238	1	Note(4)
5	FB108081L	6	
6	WL108001L	6	
7	FN108041L	6	
8	NRC7608	2	
9	NRC7609	2	
10	WL108001L	4	
11	FN108041L	4	
12	SH108701	2	
13	WP105L	4	
14	NRC5403	2	
15	572166	4	
16	572168	4	





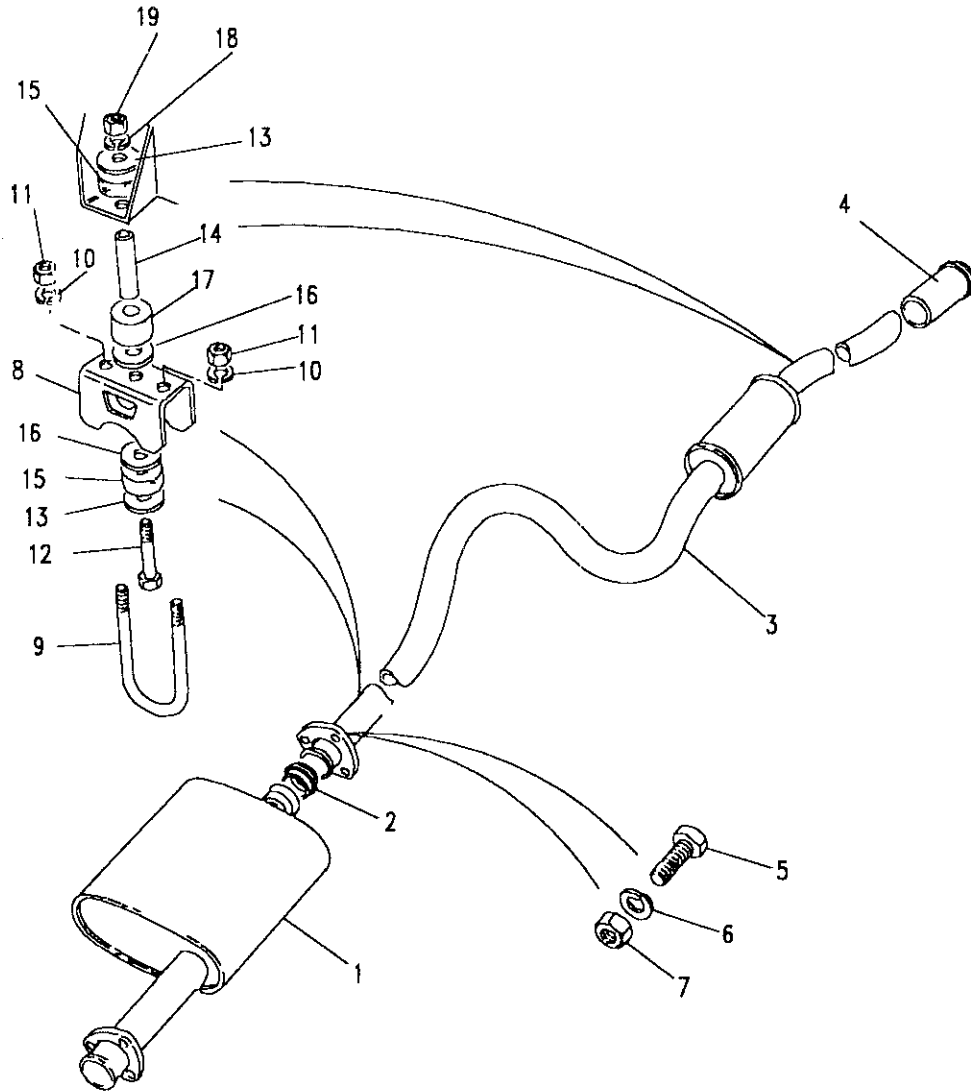
Model DEFENDER 110 1987 onwards

Page AFKXAA3A

EXHAUST SYSTEM - REAR - PETROL AND NAT ASP DIESEL

III. Part No.	Description	Qty	Remarks
17 572167	Bush rubber	2	
18 WL108001L	Washer spring	2	
19 FN108041L	Nut	2	
Defender 130 RRC4419	Pipe exhaust extension	1	

- Note(1) Rear - single can
- Note(2) Rear - single can - Australia
- Note(3) Rear - twin can - Option and Switzerland
- Note(4) HCPU and Germany

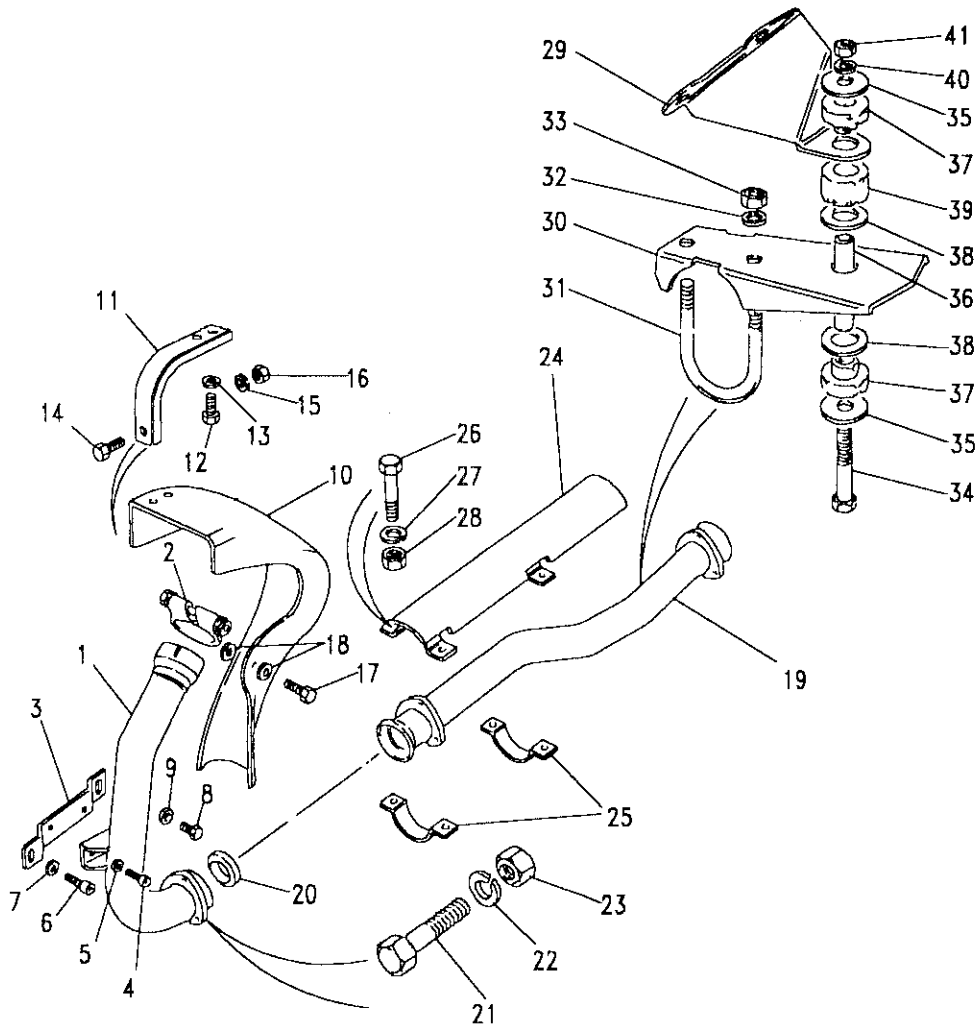




Model DEFENDER 110 1987 onwards  
Page AFKXDC1A

EXHAUST SYSTEM - FRONT - DIESEL TURBO

Ill. Part No.	Description	Qty	Remarks
1	NTC4426 Downpipe	1	Upto VIN 450078
	ESR159 Downpipe	1	From VIN 450079
2	NTC3608 Clamp exhaust	1	
3	ESR266 Bracket mounting	1	From VIN 450079
<b>Fixings - downpipe to engine</b>			
	SH110161 Screw	1	Upto VIN 450078
	WA110061 Washer plain	1	Upto VIN 450078
<b>Fixings - bracket to downpipe</b>			
4	SS106161L Screw	2	From VIN 450079
5	WJ106001L Washer plain	2	From VIN 450079
<b>Fixings - bracket to engine</b>			
6	SS108161L Screw	1	From VIN 450079
7	WA108051L Washer plain	1	From VIN 450079
8	SH110141L Screw	1	From VIN 450079
9	WA110061L Washer plain	1	From VIN 450079
10	NTC4833 Heatshield exhaust	1	
11	NTC4548 Bracket support	1	Upto VIN FA418948
	ESR219 Bracket support	1	From VIN FA418949





Model DEFENDER 110 1987 onwards  
Page AFKXDC1A

## EXHAUST SYSTEM - FRONT - DIESEL TURBO

III. Part No. Description Qty Remarks

## Fixings - heatshield to bracket

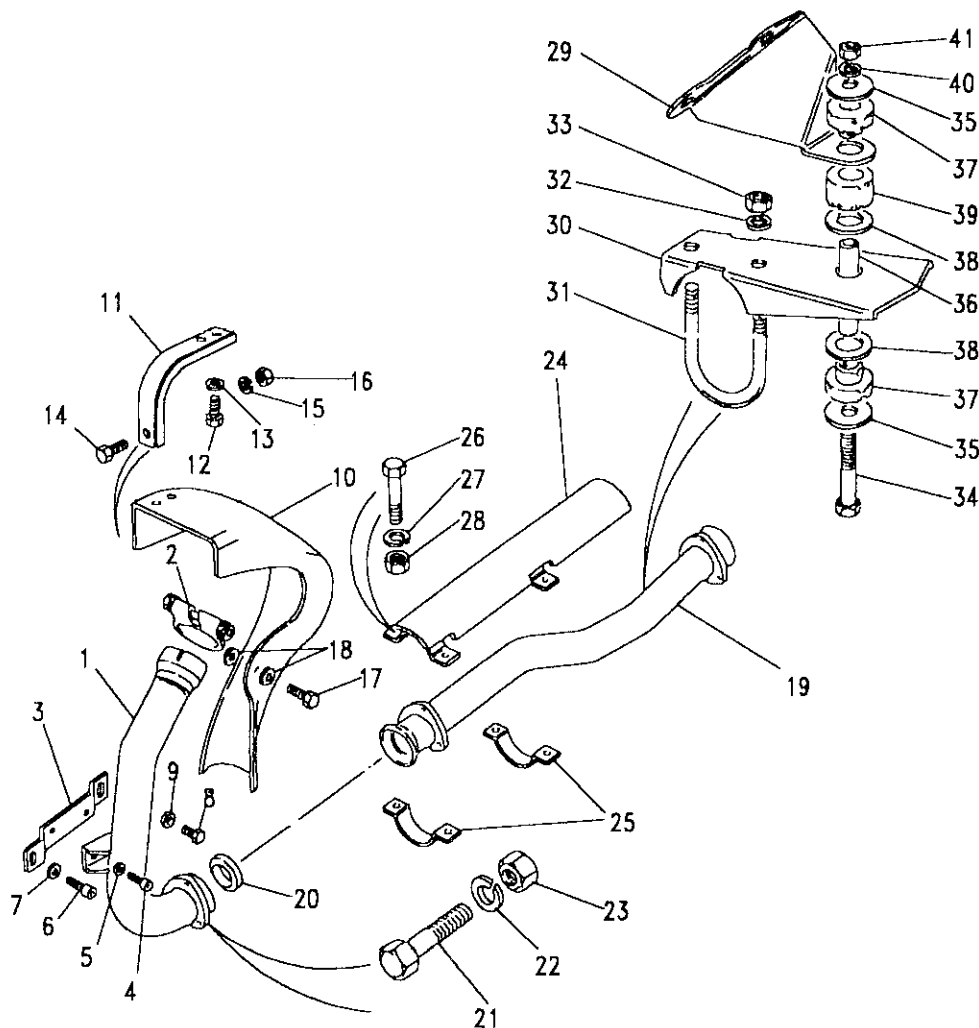
12	FS106167L	Screw	2	Note(1))
	FS106167L	Screw	1	Note(1)
13	WA106041L	Washer plain	2	Upto VIN FA418948
	WA106041L	Washer plain	1	From VIN FA418949

## Fixings - bracket to waste gate

14	FS106167L	Screw	1	Note(1)
15	WL106001	Washer spring	1	
16	NH106041L	Nut	1	

## Fixings - heatshield to stud

17	SH108141L	Screw	1	Note(1)
18	WJ108001	Washer plain	2	
19	NTC4221	Pipe exhaust intermediate	1	
20	NTC1030	Olive	1	
21	BH108091L	Bolt	3	
22	WL108001L	Washer spring	3	
23	FN108041L	Nut	3	



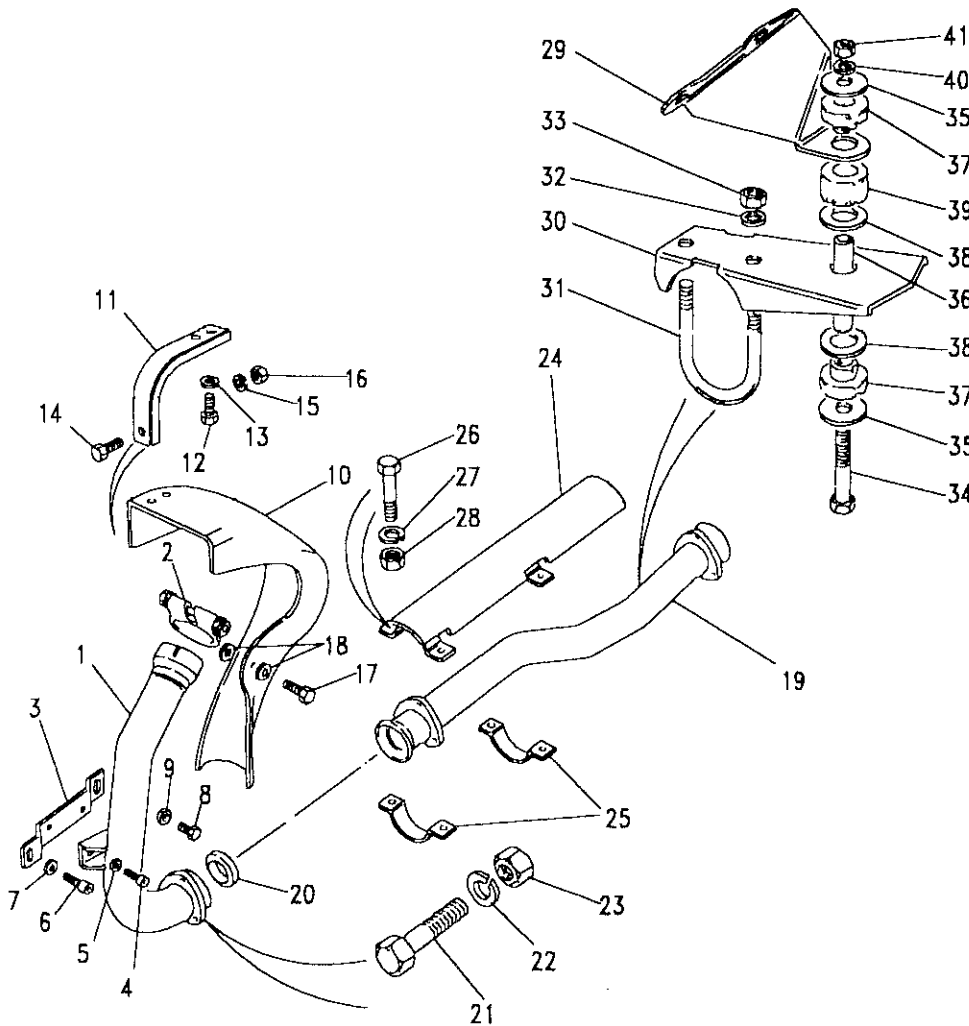


Model DEFENDER 110 1987 onwards  
Page AFKXDC1A

EXHAUST SYSTEM - FRONT - DIESEL TURBO

III. Part No.	Description	Qty	Remarks
24	NTC5205	1	Heatshield slave cylinder
25	NTC2278	2	Clamp exhaust
26	FS108207L	4	Screw
27	WL108001L	4	Washer spring
28	FN108041L	4	Nut
29	ESR169	1	Bracket mounting
30	90575748	1	Clamp exhaust
31	NRC6374	1	U bolt
32	WL108001L	2	Washer spring
33	FN108041L	2	Nut
34	BH108141L	1	Bolt
35	WP105L	2	Washer plain
36	NRC5403	1	Spacer
37	572166	2	Bush rubber
38	572168	2	Washer
39	572167	1	Bush rubber
40	WL108001L	1	Washer spring
41	FN108041L	1	Nut

Note(1) Use Loctite 242 or similar





Model DEFENDER 110 1987 onwards

Page AFKXDC2A

EXHAUST SYSTEM - REAR - DIESEL TURBO

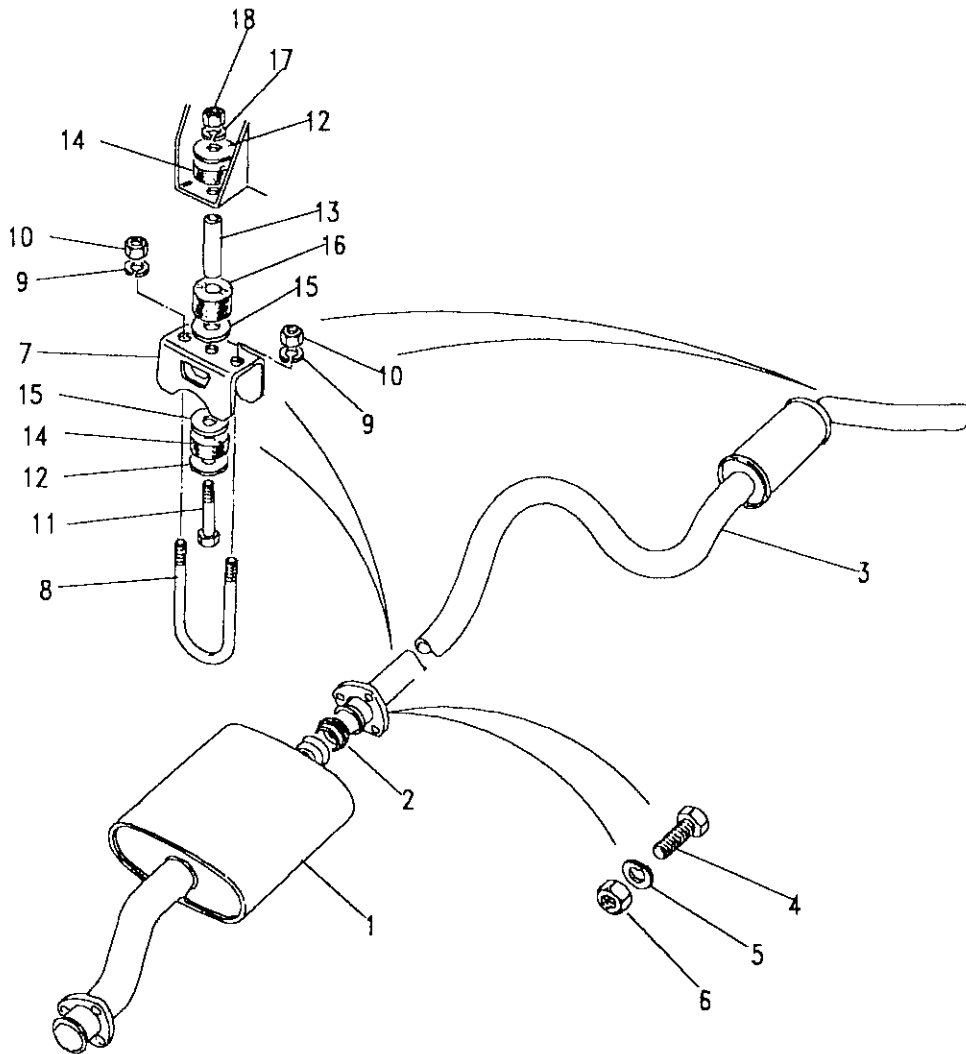
Ill. Part No.	Description	Qty	Remarks
1	NTC1666	1	Front
2	NTC1030	1	
3	NTC2832	1	Rear
4	BH108091L	6	
5	WL108001L	6	
6	FN108041L	6	
7	NRC7608	2	
8	NRC7609	2	
9	WL108001L	4	
10	FN108041L	4	
11	SH108701	2	
12	WP105L	4	
13	NRC5403	2	
14	572166	4	
15	572168	4	
16	572167	2	
17	WL108001L	2	
18	FN108041L	2	

Defender 130

RRC4419

Pipe exhaust extension

1





DEFENDER 110 1987 onwards

591

EXHAUST SYSTEM

Model DEFENDER 110 1987 onwards  
Page AFKXDE1A

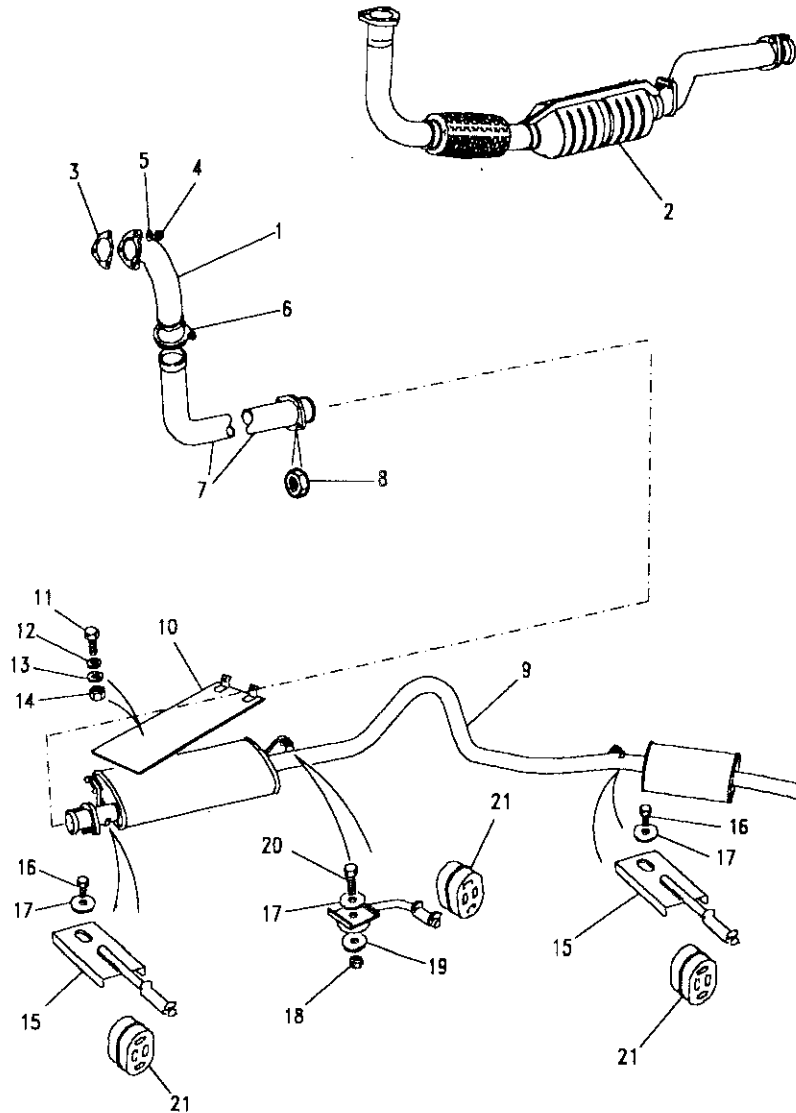
EXHAUST SYSTEM - FRONT - TDI

III. Part No.

Description

Qty Remarks

1	ESR158	Downpipe	1	Upto LA939975
	ESR2297	Downpipe Non-Cat	1	From MA939976
2	ESR2739	Downpipe with cat	1	From MA939976
	ESR3495	Downpipe with cat	1	Swiss only
3	NTC3608	Clamp exhaust	1	
4	ESR266	Bracket mounting	1	
	ESR3260	Gasket exhaust	1	From MA939976
5	SS106161L	Screw socket	2	
6	WJ106001L	Washer plain	2	
7	SS108161L	Screw socket	1	
8	WA108051L	Washer plain	1	
9	SH110141L	Screw	1	
10	WA110061L	Washer plain	1	
11	NTC4833	Heatshield	1	
12	SH108141L	Screw	1	
13	WJ108001	Washer plain	2	
14	ESR219	Bracket support	1	
15	FS106167L	Screw	1	
16	WA106041L	Washer plain	1	
17	FS106167L	Screw	1	
18	WL106001	Washer spring	1	
19	NH106041L	Nut	1	
20	ESR361	Heatshield	1	
21	ESR208	Clamp exhaust	2	
22	FS108251L	Screw	4	
23	WL108001L	Washer spring	4	
24	FN108041L	Nut	4	



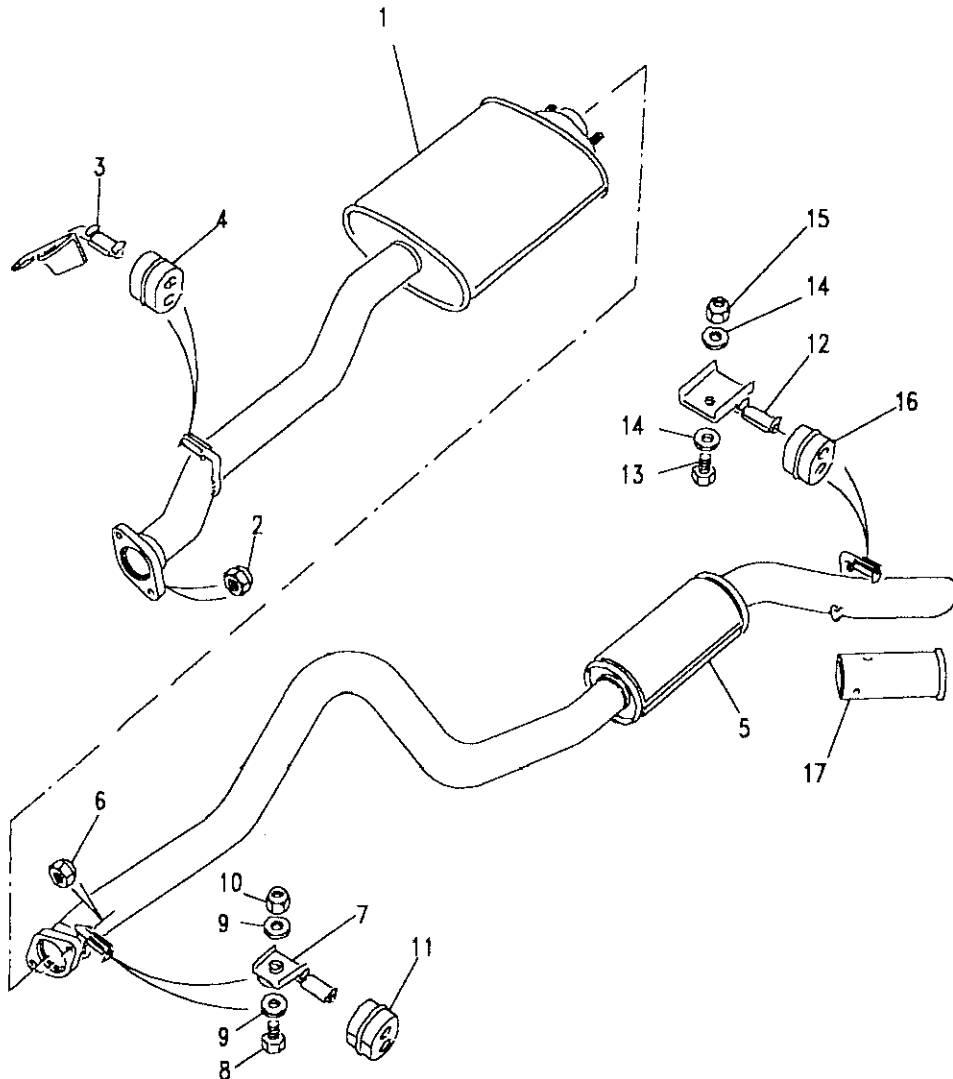


**Model** DEFENDER 110 1987 onwards  
**Page** AFKXDE2A

**EXHAUST SYSTEM - REAR - TDI**

III. Part No.	Description	Qty	Remarks
<b>Except Defender 130</b>			
1	ESR54	1	Upto LA939975
	ESR2383	1	From MA939976
2	NV110041L	2	
3	ESR414	1	Front Note(1)
	ESR2087	1	Front Note(2)
4	NTC5582	1	Upto LA939975
	NTC3650	1	From MA939976
5	ESR359	1	Upto LA939975
	ESR2384	1	From MA939976
	ESR1696	1	Australia
			Upto LA939975
			From MA939975
6	NV110041L	2	
7	ESR360	1	Note(1)
	ESR2215	1	Note(2)
	ESR3294	1	Note(3)
8	SH108251L	1	
9	WP185L	2	
10	NV108041L	1	
11	NTC5582	1	Upto LA939975
	NTC3650	1	From MA939976
12	ESR95	1	Upto MA948144
	ESR3293	1	From MA948145
13	FS108251L	1	
14	WP185L	2	
15	NV108041L	1	
16	NTC5582	1	
17	NTC2022	1	HCPU

Note(1) Up to LA939975  
 Note(2) From MA939976 Upto MA948144  
 Note(3) From MA948145





DEFENDER 110 1987 onwards

593

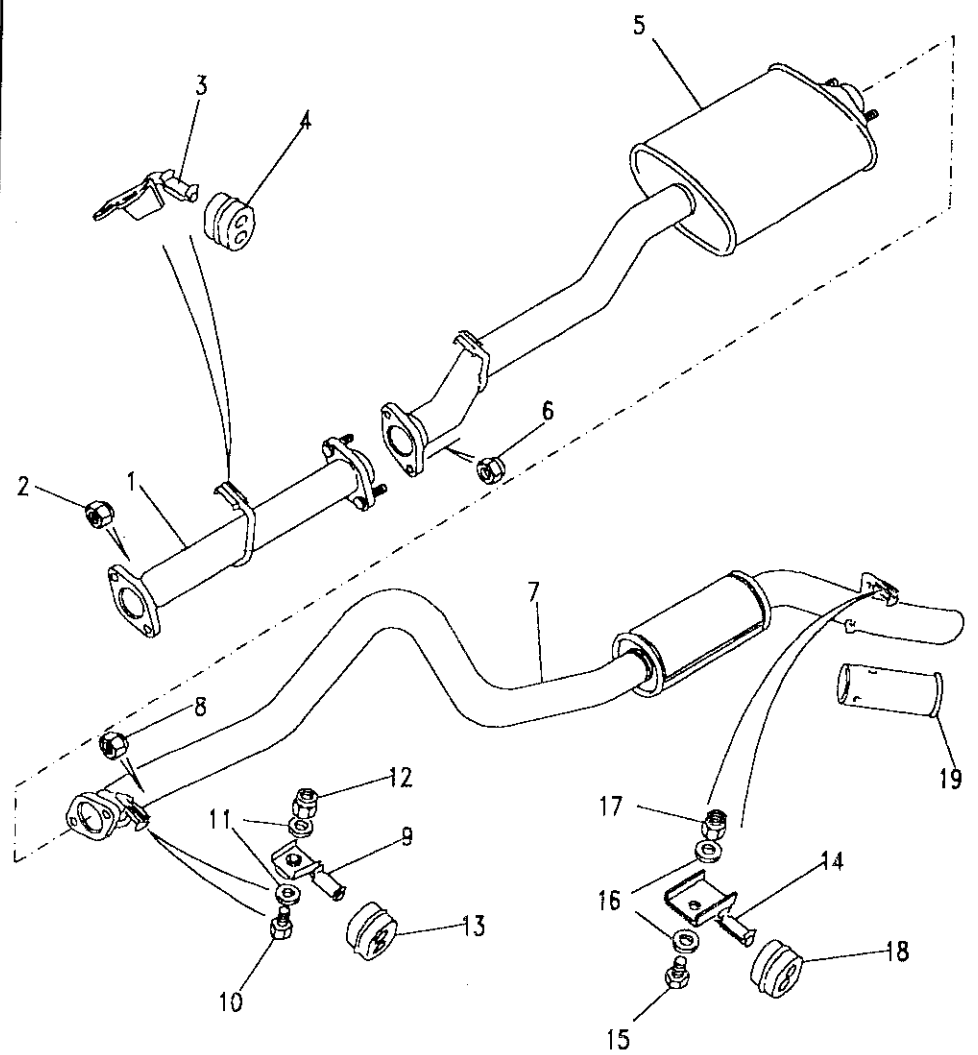
EXHAUST SYSTEM

Model DEFENDER 110 1987 onwards  
Page AFKXDE3A

EXHAUST SYSTEM - REAR - 200TDI

III. Part No.	Description	Qty	Remarks
<b>Defender 130</b>			
1	ESR255	1	Pipe extension
	ESR2386	1	Pipe extension
2	NV110041L	2	Nut
3	ESR414	1	Bracket mounting
	ESR2087	1	Bracket mounting
4	NTC5582	1	Mounting rubber
	NTC3650	1	Mounting rubber
5	ESR439	1	Silencer
	ESR2385	1	Exhaust silencer main
6	NV110041L	2	Nut
7	ESR359	1	Tail pipe
	ESR2384	1	Tail pipe
8	NV110041L	2	Nut
9	ESR360	1	Bracket mounting
	ESR2215	1	Bracket mounting
	ESR3294	1	Bracket mounting
10	FS108251L	1	Screw
11	WP185L	2	Washer plain
12	NV108041L	1	Nut philidas
13	NTC5582	1	Mounting rubber
	NTC3650	1	Mounting rubber
14	ESR95	1	Bracket mounting
	ESR3293	1	Bracket mounting
15	FS108251L	1	Screw
16	WP185L	2	Washer plain
17	NV108041L	1	Nut philidas
18	NTC5582	1	Mounting rubber
19	NTC2022	1	Finisher tail pipe
		1	HCPU

Note(1) Up to LA939975  
Note(2) From MA939976 UptoMA948144  
Note(3) From MA948145





## MASTER INDEX

	PAGES
INTRODUCTION PAGES	1 - 7
ALPHABETICAL INDEX	8 - 16
ENGINE	17 - 66
ENGINE	67 - 119
ENGINE	120 - 166
ENGINE	167 - 209
ENGINE	210 - 245
ENGINE	246 - 299
GEARBOX	300 - 326
GEARBOX	327 - 344
GEARBOX	345 - 359
TRANSFER BOX	360 - 378
TRANSFER BOX	379 - 397
AXLES AND SUSPENSION	398 - 444
STEERING	445 - 471
VEHICLE AND ENGINE CONTROLS	472 - 486
BRAKES	487 - 517
FUEL SYSTEM AND AIR CLEANER	518 - 579
EXHAUST SYSTEM	580 - 593
COOLING/HEATING	594 - 637
COOLING/HEATING	638 - 641
COOLING/HEATING	642 - 649
COOLING/HEATING	650 - 655
COOLING/HEATING	656 - 666
BODY ELECTRICAL	667 - 740
BODY AND CHASSIS	741 - 909
INTERIOR TRIM	910 - 955
SEATS	956 - 1036
STOWAGE	1037 - 1046
ACCESSORIES - PAINTS	1047 - 1074
NUMERICAL INDEX	1076 - 1151

## GROUP L

## COOLING/HEATING

COOLING/HEATING	
RADIATOR	596 - 598
RADIATOR, INTERCOOLER & OIL COOLER - 300TDI	599 - 602
FAN COWL	603 - 604
RADIATOR HOSES	605 - 606
RADIATOR & INTERCOOLER HOSES - 200TDI	607
RADIATOR HOSES - V8	608 - 609
OIL COOLER AND MOUNTING FRAME	610 - 611
COOLER AND FRAME - V8 LT77 GEARBOX	612
PIPES - NOTE(1)	613
PIPES	614
PIPES - V8 - UPTO VIN FA429127	615 - 616
PIPES - V8 - FROM VIN FA429128	617
PIPES - V8 LT77 GEARBOX	618
EXPANSION TANK	619 - 622
HEATER	623 - 625
HEATER COMPONENTS	626
HEATER CONTROLS	627 - 628
DEMISTERS AND OUTLET FLAPS	629
HEATER PIPES - 4 CYL PETROL 630 DIESEL	630
HEATER PIPES - 4 CYL PETROL 631 DIESEL	631
HEATER PIPES - V8	632
HEATER PIPES - 200TDI	633 - 634
HEATER PIPES - 300TDI	635
CONDENSER - RHS/LHS	636
EVAPORATOR ASSEMBLY - RHS	637





DEFENDER 110 1987 onwards

595

COOLING/HEATING

GROUP L

COOLING/HEATING

COOLING/HEATING

FLUID SYSTEM - RHS

647

VACUUM PIPES & RESERVOIR - RHS/LHS

648

HEATER PIPES - 4 CYLINDER - RHS

649

GROUP L

COOLING/HEATING

COOLING/HEATING

FRESH AIR DUCT - RHS

658

PLENUM 659 DEFROSTERS - RHS

659

FACIA PANEL ASSEMBLY - RHS

660

FRESH AIR DUCT - LHS

661

AIR DUCT INSULATION - LHS

662

HEATER CONTROLS - LHS

663

PLENUM CHAMBER - LHS

664

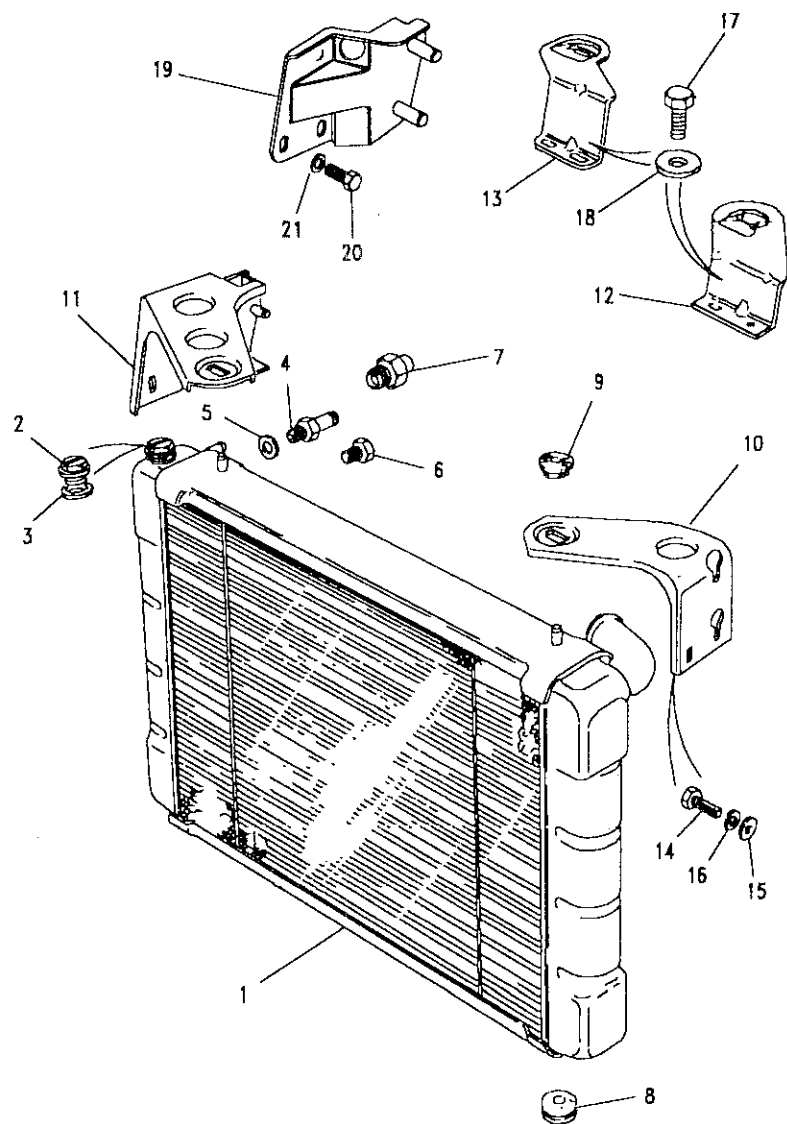
FACIA PANEL - LHS

665

DEMISTER AND FLAPS

666





**Model** DEFENDER 110 1987 onwards  
**Page** AFLXAA1A

### COOLING SYSTEM - RADIATOR

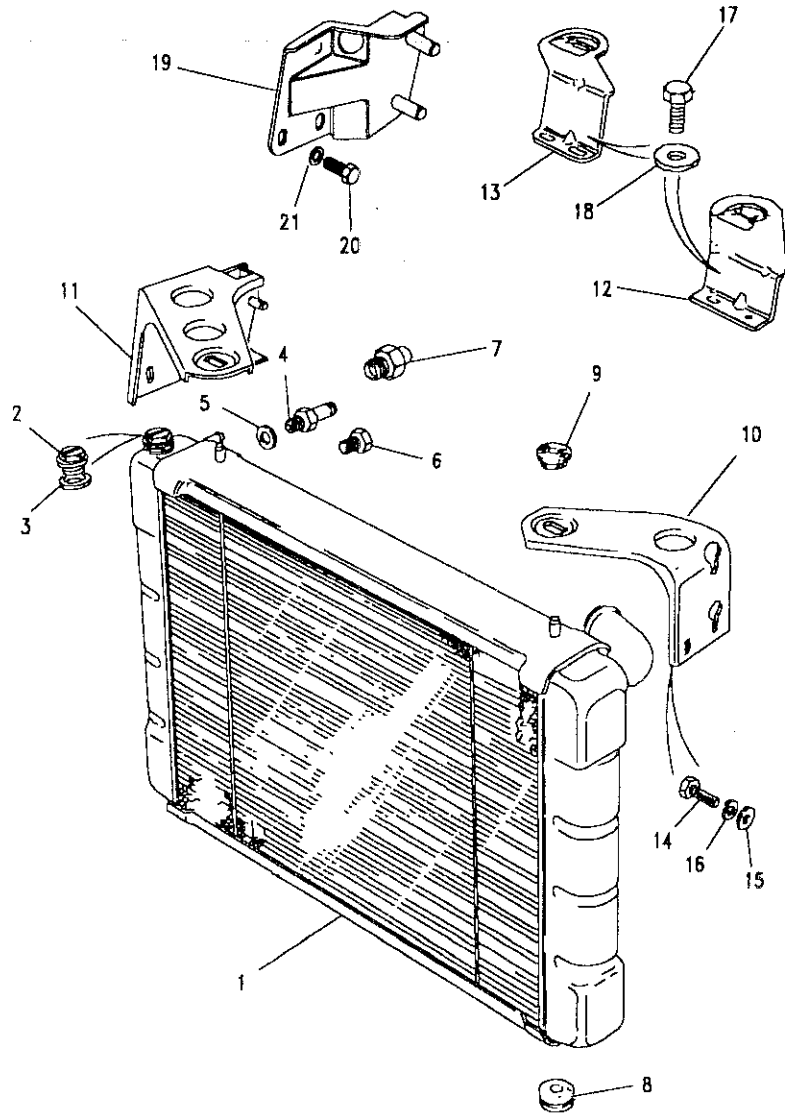
III. Part No.	Description	Qty	Remarks
<b>2.5 Petrol</b>			
1 ESR79	Radiator	1	Upto VIN FA389798
ESR77	Radiator	1	From VIN FA389981
ESR78	Radiator	1	Note(1) From VIN FA389799
ESR1677	Radiator	1	Upto VIN JA919831 Note(1) From VIN JA919832
<b>V8 Petrol</b>			
1 ESR76	Radiator	1	Upto VIN FA428918
ESR203	Radiator	1	From VIN FA428919
ESR204	Radiator	1	Note(1) From VIN FA429128
ESR1678	Radiator	1	Upto VIN JA922098 Note(1) From VIN JA919099
<b>Diesel</b>			
1 ESR79	Radiator	1	Upto VIN FA389798
ESR77	Radiator	1	From VIN FA389981
ESR78	Radiator	1	Note(1) From VIN FA389799
ESR1677	Radiator	1	Upto VIN JA919831 Note(1) From VIN JA919832





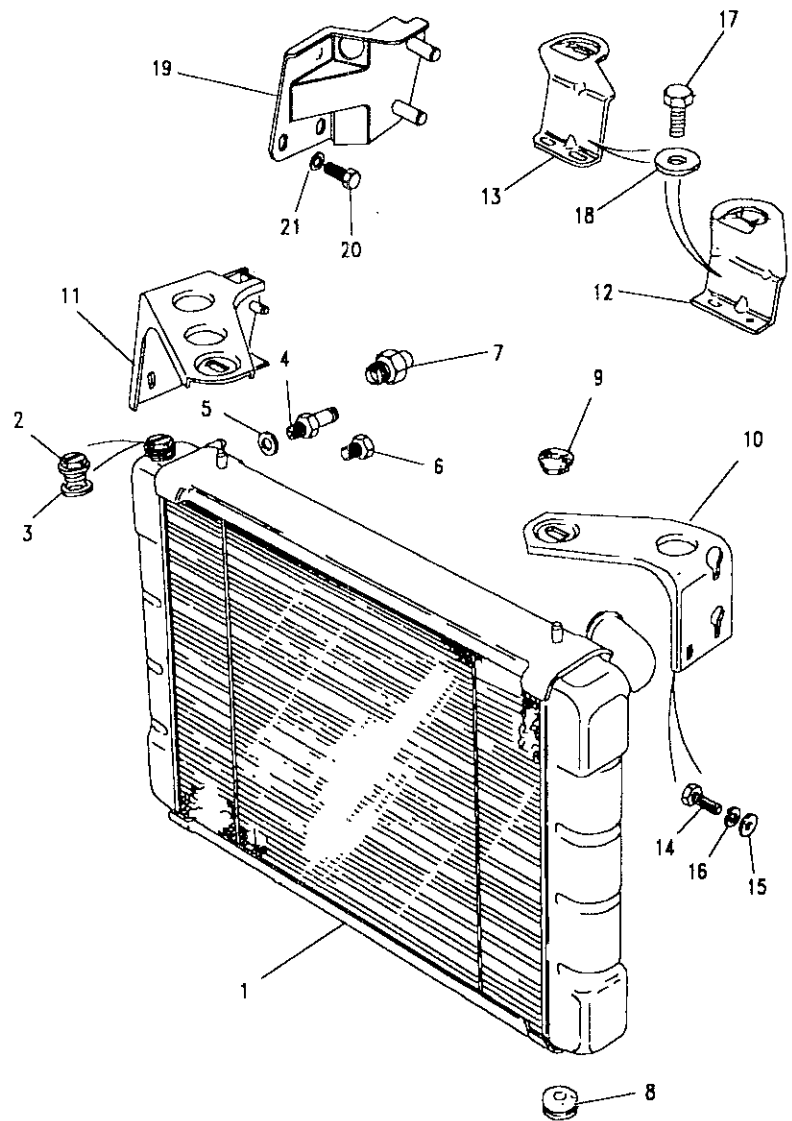
Model DEFENDER 110 1987 onwards  
Page AFLXAA1A

COOLING SYSTEM - RADIATOR



III. Part No.	Description	Qty	Remarks
<b>Diesel Turbo</b>			
1 NTC6168	Radiator	1	Note(1)
<b>200Tdi</b>			
1 NTC4893	Radiator	1	Note(2)
ESR1676	Radiator	1	Note(2) Upto VIN JA919831 From VIN JA919832
2 NTC4609	Filler plug	1	
3 NTC5171	Washer sealing	1	
4 KTP9024	Vent penthouse	1	V8
5 RRO2125L	Washer	1	
6 RRO2126L	Plug	1	Except V8
7 NTC3858	Adaptor	2	Diesel Turbo
8 572312	Bush radiator mounting	2	Lower
9 NRC5544	Bush radiator mounting	2	Upper





**Model** DEFENDER 110 1987 onwards  
**Page** AFLXAA1A

**COOLING SYSTEM - RADIATOR**

III. Part No.	Description	Qty	Remarks
10	NRC4839 Bracket radiator LH	1	Upto 4/3/92
11	NRC8609 Bracket radiator RH	1	Upto 4/3/92
12	ESR69 Bracket radiator LH	1	From 5/3/92
	ESR68 Bracket radiator RH	1	From 5/3/92
13	ESR282 Bracket radiator LH	1	200Tdi
	ESR283 Bracket radiator RH	1	200Tdi
14	FS106201L Flange screw	6	Upto 4/3/92
15	WC106041L Washer plain	6	Upto 4/3/92
16	WL106001L Washer spring	6	Upto 4/3/92
17	SH106207L Screw	4	From 5/3/92
18	WC106047 Washer plain	4	From 5/3/92
	SH106207L Screw	4	200Tdi
	WC106047 Washer plain	4	200Tdi
19	ALR1982 Bracket support	1	From VIN JA910952
20	SH106207L Screw	3	From VIN JA910952
21	WC106047 Washer plain	3	From VIN JA910952

Note(1) Includes oil cooler for engine  
 Note(2) Includes oil cooler for engine and intercooler for turbo charger



DEFENDER 110 1987 onwards

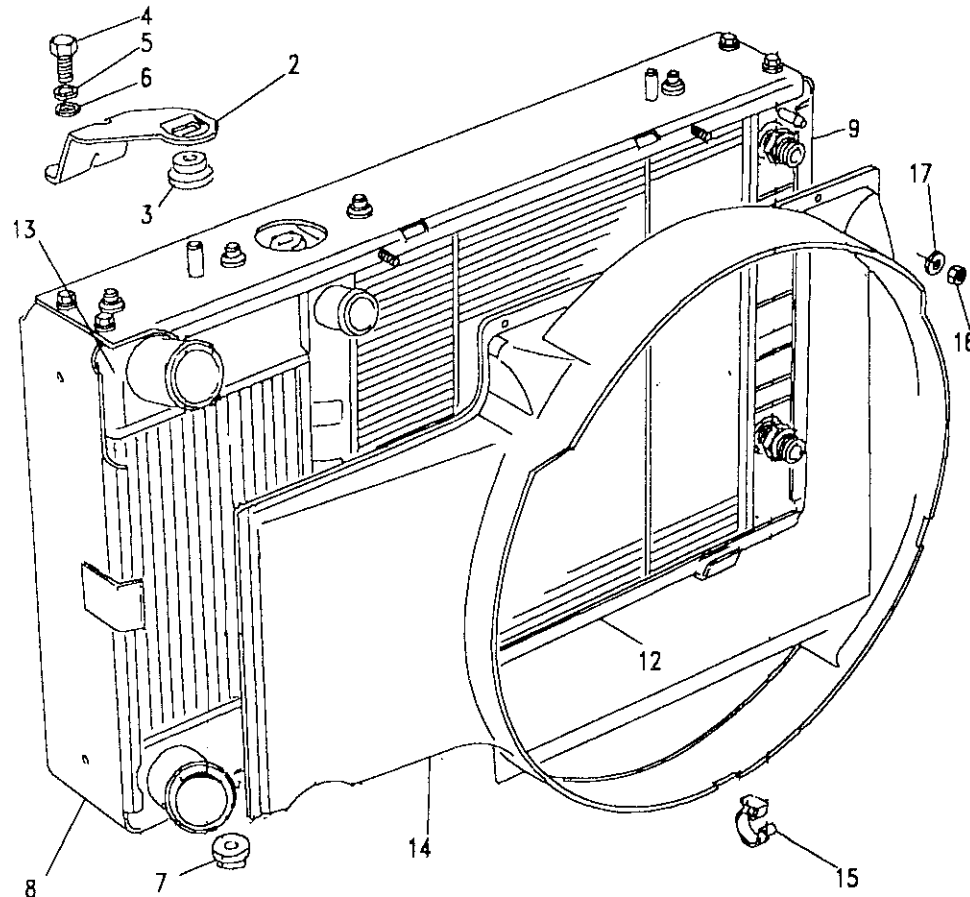
599

COOLING/HEATING

Model DEFENDER 110 1987 onwards

Page AFLXAA1B

COOLING SYSTEM - RADIATOR, INTERCOOLER & OIL COOLER - 300TDI



Ill. Part No.	Description	Qty	Remarks
---------------	-------------	-----	---------

Radiator and intercooler

1	ESR2727	1	Radiator/intercooler assy
2	ESR282	1	Bracket mounting upper LH
	ESR283	1	Bracket mounting upper RH
3	NRC5544	2	Grommet pad
4	SH106205	4	Screw M6
5	WM600041L	4	Washer spring
6	WC106045	4	Washer plain
7	572312	2	Bush radiator/chassis
8	BTP1826	1	Frame side LH
9	BTP1827	1	Frame side RH
10	BTP2275	1	Radiator block
11	BTP2282	1	Frame top radiator
12	BTP2284	1	Frame bottom radiator
13	FTP8030	1	Intercooler
14	ESR2308	1	Cowl fan
15	ESR1800	2	Clip edge
16	NH105041	2	Nut M5
17	WA105001	2	Washer plain







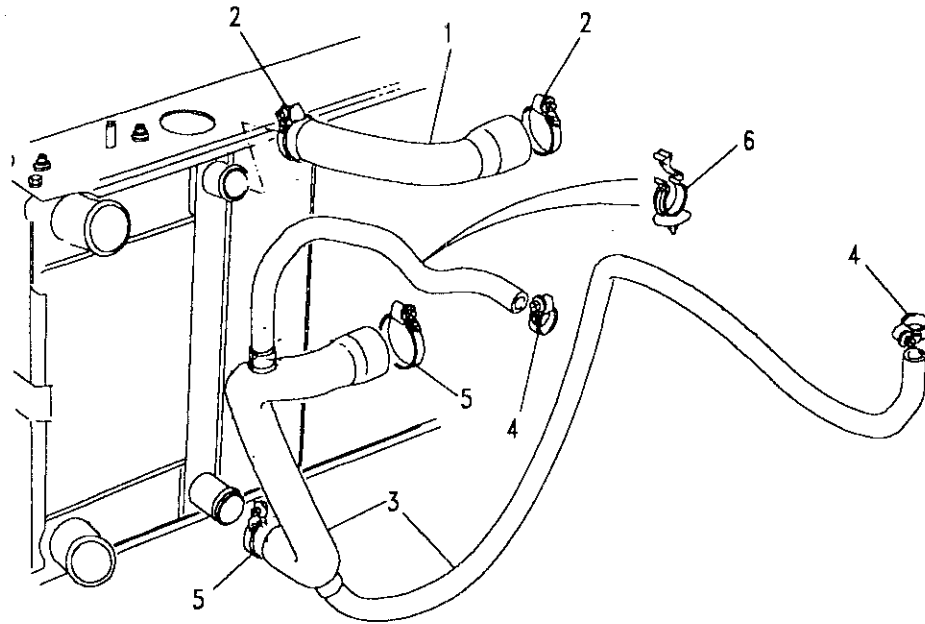
Model DEFENDER 110 1987 onwards  
Page AFLXAA1C

COOLING SYSTEM - RADIATOR, INTERCOOLER & OIL COOLER - 300TDI

Ill. Part No. Description Qty Remarks

Radiator hoses

1	ESR2298	Hose top	1	
2	CN100508	Clip hose	2	
3	ESR3121	Hose assembly bottom	1	
4	CN100308	Clip hose	2	
5	CN100508	Clip hose	2	
6	ESR2662	Clip hose	2	



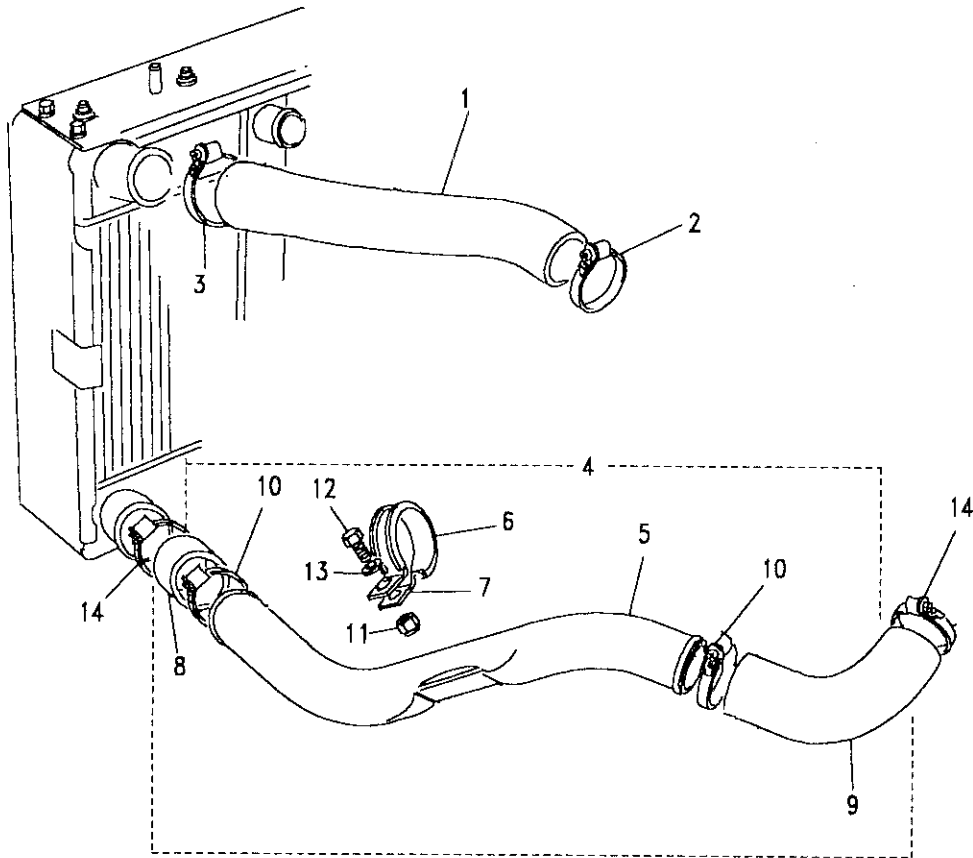
**Model** DEFENDER 110 1987 onwards  
**Page** AFLXAA1D

**COOLING SYSTEM - RADIATOR, INTERCOOLER & OIL COOLER - 300TDI**

**III. Part No. Description Qty Remarks**

**Intercooler hoses**

1	ESR2309	Hose intercooler/manifold	1
2	CN100608	Clip hose	1
3	CN100708	Clip hose	1
4	ESR2728	Pipe assy i'cooler/turbo	1
5	ESR2055	Pipe intercooler/turbo	1
6	ESR2119	Mounting rubber	1
7	ESR2120	Bracket mounting	1
8	ESR2729	Hose pipe/intercooler	1
9	ESR2730	Hose turbo/pipe	1
10	CN100608	Clip hose	2
11	NY108041	Nut nyloc M8	1
12	SH108161	Screw M8	1
13	WA108041	Washer plain	1
14	CN100608	Clip hose	2





Model DEFENDER 110 1987 onwards

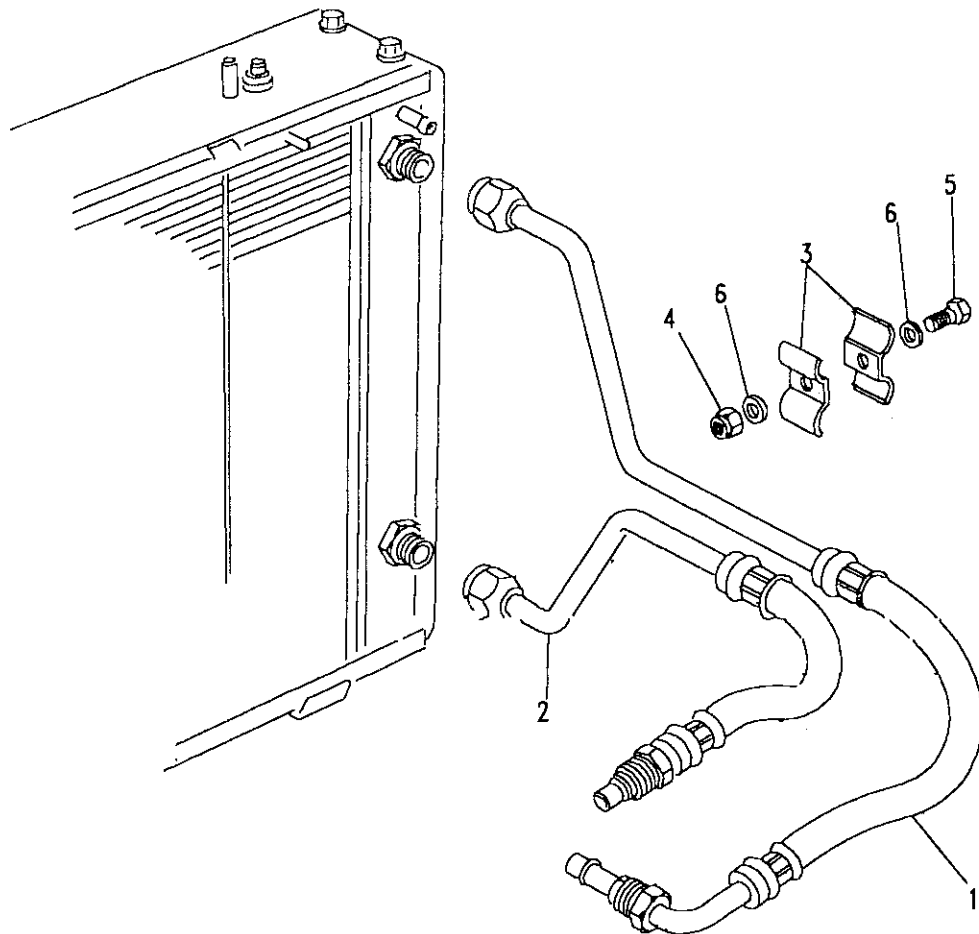
Page AFLXAA1E

## COOLING SYSTEM - RADIATOR, INTERCOOLER &amp; OIL COOLER - 300TDI

III. Part No.	Description	Qty	Remarks
---------------	-------------	-----	---------

## Oil cooler hoses

1	ESR1931	Pipe cooler to engine	1
2	ESR2629	Pipe engine to cooler	1
	ESR1594	O Ring	4
3	NTC6847	Clamp saddle	2
4	NY106041	Nut nyloc M6	1
5	SH106161	Screw M6	1
6	WA106041	Washer plain	2

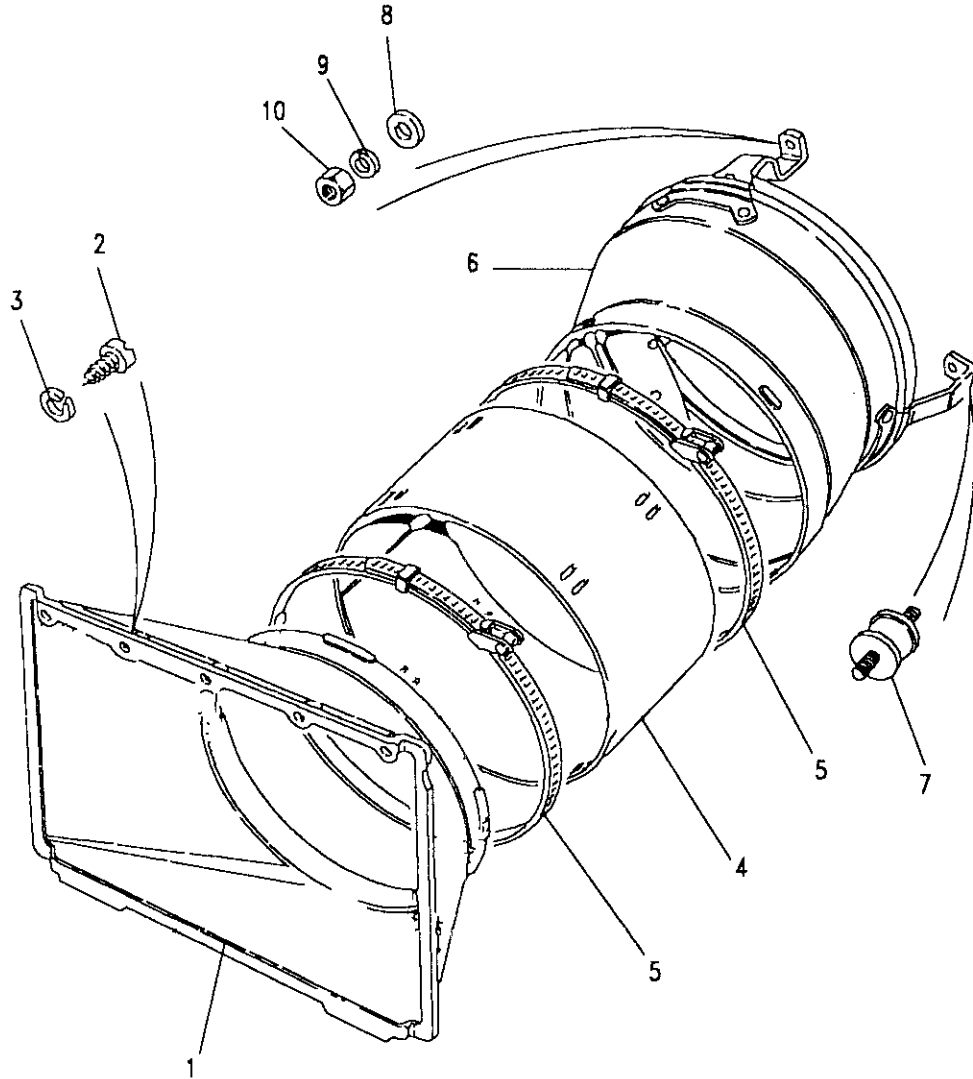




Model DEFENDER 110 1987 onwards  
Page AFLXAA2A

COOLING SYSTEM - FAN COWL

III. Part No.	Description	Qty	Remarks
<b>2.5 Petrol</b>			
1\ NRC3662	Cowl fan-radiator	1	Upto VIN FA389798
NTC3937	Cowl fan-radiator	1	From VIN FA389799
<b>V8 Petrol</b>			
1 NRC3406	Cowl fan-radiator	1	Upto VIN FA428918
NTC5685	Cowl fan-radiator	1	From VIN FA428919
<b>Diesel</b>			
1 NRC3977	Cowl fan-radiator	1	Upto VIN FA389798
NTC3937	Cowl fan-radiator	1	From VIN FA389799
<b>Diesel Turbo</b>			
1 NTC3937	Cowl fan-radiator	1	
<b>200Tdi</b>			
1 ESR335	Cowl fan-radiator	1	





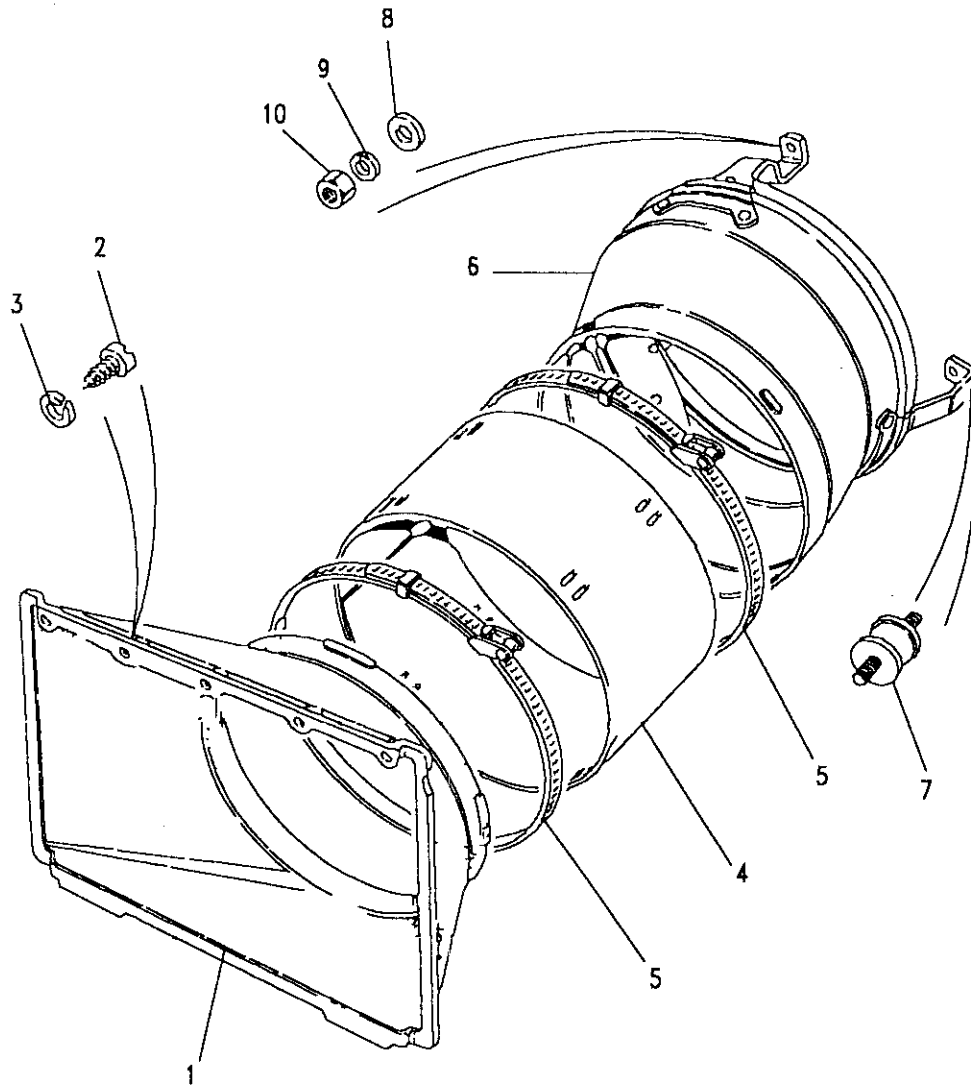
Model DEFENDER 110 1987 onwards

Page AFLXAA2A

COOLING SYSTEM - FAN COWL

III. Part No.	Description	Qty	Remarks
2 562979	Screw	5	Upto VIN FA389798
562979	Screw	4	From VIN FA389799
3 WS600041L	Washer spring	5	Upto VIN FA389798
WS600047L	Washer spring	4	From VIN FA389799
595199	Washer plain	2	Diesel
WS105001	Washer spring	2	From VIN FA389799
NH105041L	Nut	2	200Tdi
4 NRC7227	Ducting	1	4 Cylinder
5 NRC6430	Clip retaining	2	4 Cylinder
6 ETC4989	Cowl fan-engine	1	4 Cylinder
7 ETC4993	Mounting flexible	3	
8 WA108051L	Washer plain	2	
9 WL108001L	Washer spring	6	
10 FN108041L	Nut	5	

Note(1) UK and Europe  
 Note(2) Rest of World(Heavy Duty)

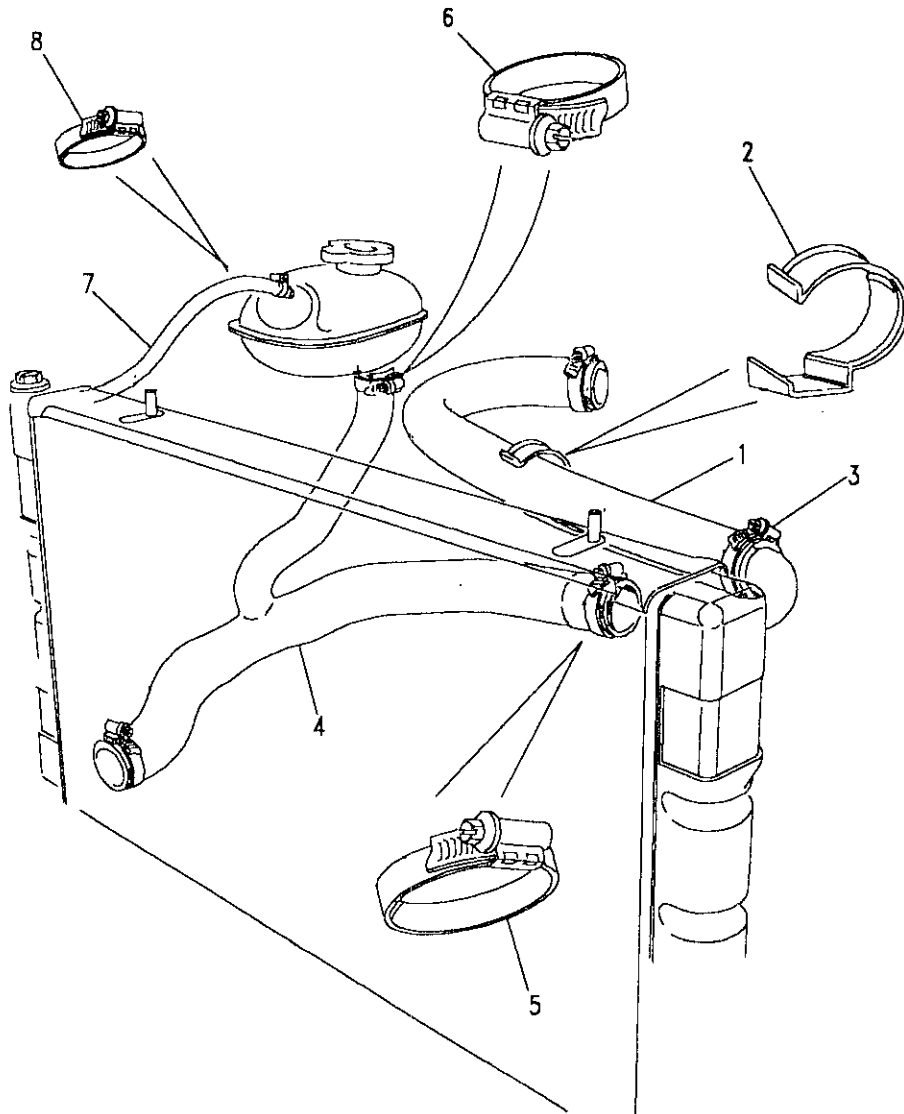




Model DEFENDER 110 1987 onwards  
Page AFLXAA3A

## COOLING SYSTEM - RADIATOR HOSES

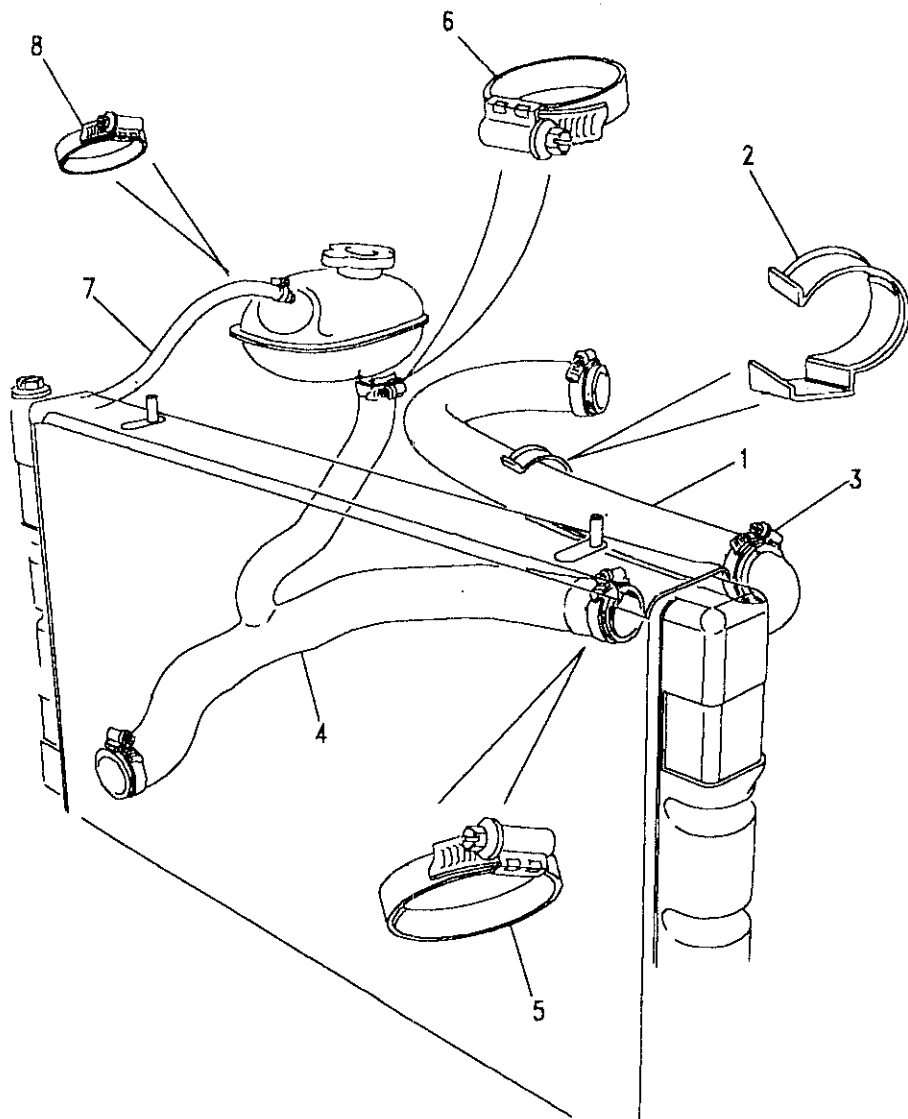
Ill. Part No.	Description	Qty	Remarks
<b>2.5 Petrol and Diesel</b>			
1	NTC2029	1	Upto VIN FA389798
	ESR2125	1	From VIN FA389799
<b>Diesel Turbo</b>			
1	ESR2125	1	
2	NRC7448	1	
3	CN100508	2	
4	NTC3453	1	
5	CN100508	2	
6	CN100308L	1	
7	NRC9726	1	
	NTC2736	1	
8	AAU1979	2	Diesel turbo



**Model** DEFENDER 110 1987 onwards  
**Page** AFLXAA3A

**COOLING SYSTEM - RADIATOR HOSES**

III. Part No.	Description	Qty	Remarks
<b>Air con vehicles upto engine number 17H07705C</b>			
NRC4842	Hose bottom	1	To engine
NRC4844	Hose bottom	1	To radiator
NRC4843	Tee piece	1	
CN100508	Clip hose	4	
NRC4837	Hose expansion tank	1	Diesel
NRC5503	Hose expansion tank	1	Petrol
CN100408	Clip hose	2	



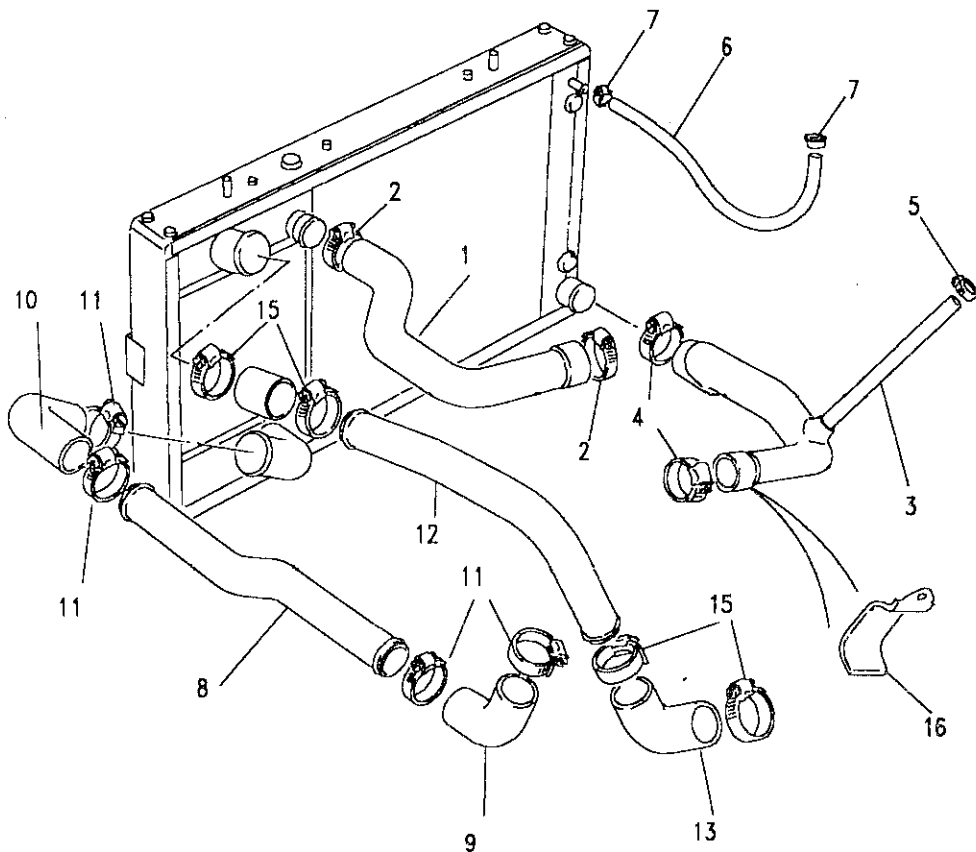


Model DEFENDER 110 1987 onwards

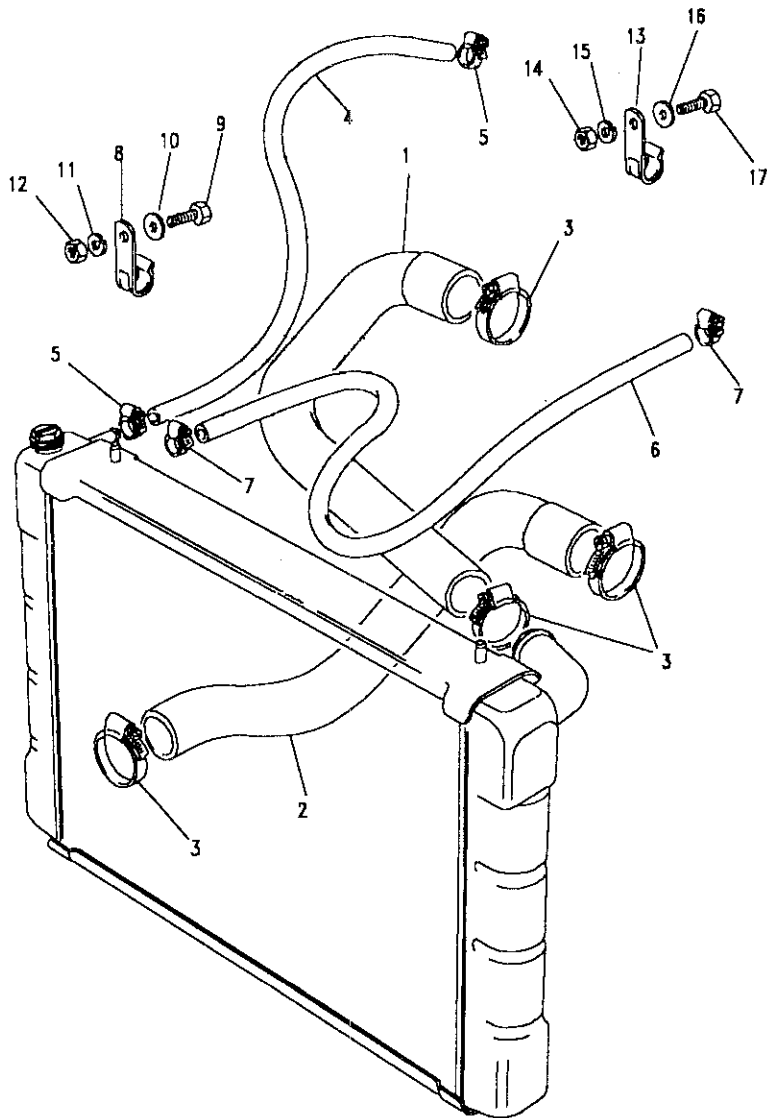
Page AFLXAA4A

## COOLING SYSTEM - RADIATOR &amp; INTERCOOLER HOSES - 200TDI

Ill. Part No.	Description	Qty	Remarks
1	NTC4895 Hose top	1	
2	CN100508 Clip hose	2	
3	ESR536 Hose bottom	1	Non Air Con
	ESR1686 Hose bottom	1	Air Con
4	CN100508 Clip hose	2	
5	CN100308 Clip hose	1	
	CN100308L Clip hose	1	
6	NTC4898 Hose bleed	1	
7	CN100208L Clip hose	2	
<b>Turbo to intercooler</b>			
8	NTC5628 Pipe intercooler	1	
9	ESR299 Hose elbow	1	Upto VIN JA915341
	ESR1906 Hose elbow	1	From VIN JA915342
10	ESR298 Hose elbow	1	
11	CN100608L Clip hose	4	
<b>Intercooler to manifold</b>			
12	NTC5627 Pipe intercooler	1	
13	ESR299 Hose elbow	1	Upto VIN JA915341
	ESR1906 Hose elbow	1	From VIN JA915342
14	ESR289 Hose	1	
15	CN100608L Clip hose	4	
16	ESR400 Bracket bottom hose	1	Air con







**Model** DEFENDER 110 1987 onwards  
**Page** AFLXAA5A

**COOLING SYSTEM - RADIATOR HOSES - V8**

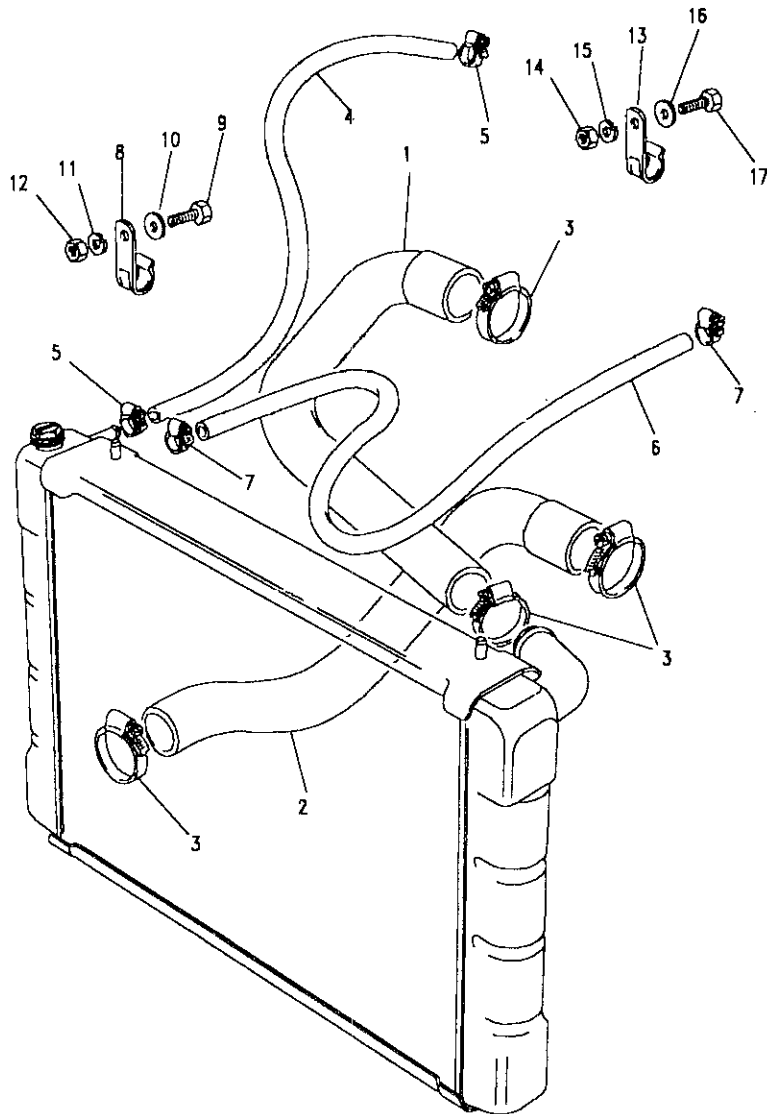
III. Part No.	Description	Qty	Remarks
1	NRC5985	1	Non air con
	NTC5686	1	Upto VIN FA428918
	NRC9710	1	Non air con
	NTC5687	1	From VIN FA428919
2	NTC3543	1	Air con
3	CN100508	4	Upto VIN FA429127
4	NRC9726	1	Air con
	NTC2736	1	From VIN FA429128
5	AAU1979	2	
6	90575977	1	When oil cooler fitted
7	AAU1979	2	Penthouse



DEFENDER 110 1987 onwards

609

COOLING/HEATING

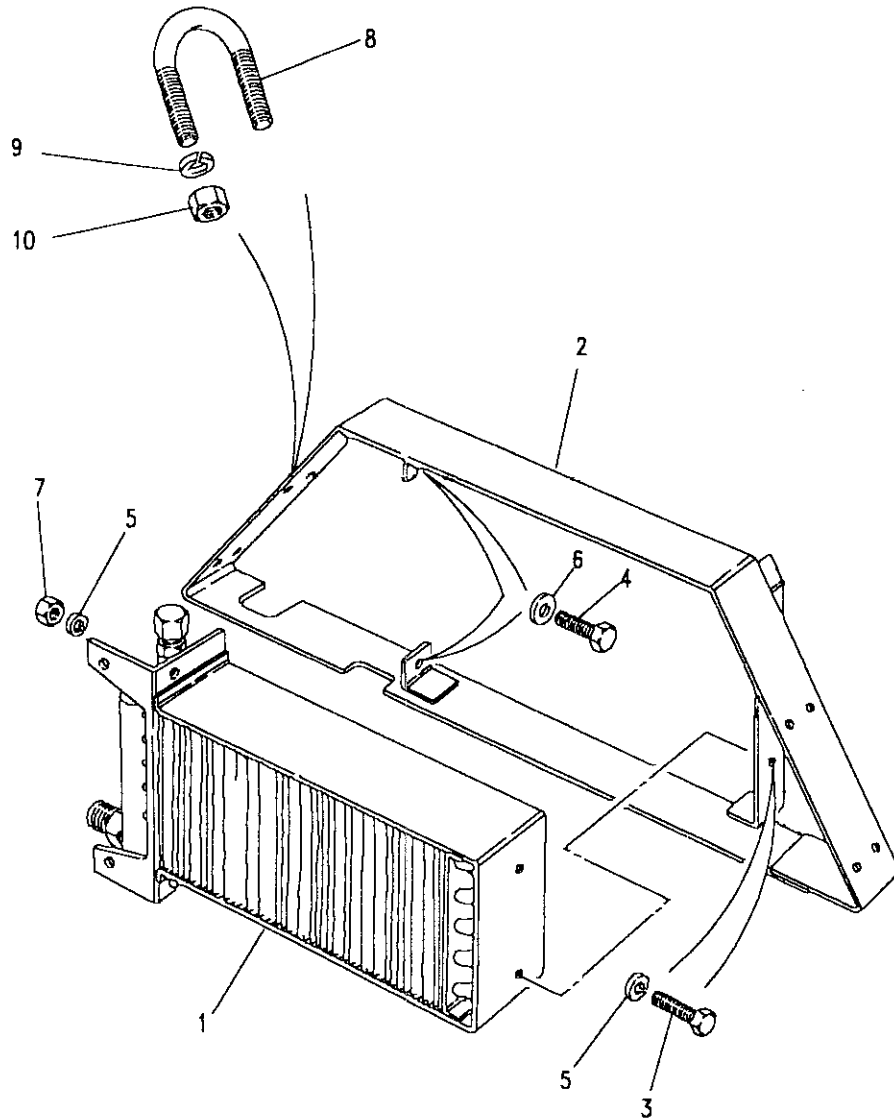


Model DEFENDER 110 1987 onwards  
Page AFLXAA5A

COOLING SYSTEM - RADIATOR HOSES - V8

III. Part No.	Description	Qty	Remarks
8	NRC2383	1	
9	FS106201L	1	
10	WA106041L	1	
11	WM106001L	1	
12	NH106041L	1	
<b>Non air con</b>			
13	239600	1	Penthouse bleed
14	FS108201L	1	Penthouse bleed
15	WA108051L	1	
16	WL108001L	1	
17	FN108041L	1	





**Model** DEFENDER 110 1987 onwards  
**Page** AFLXAG1A

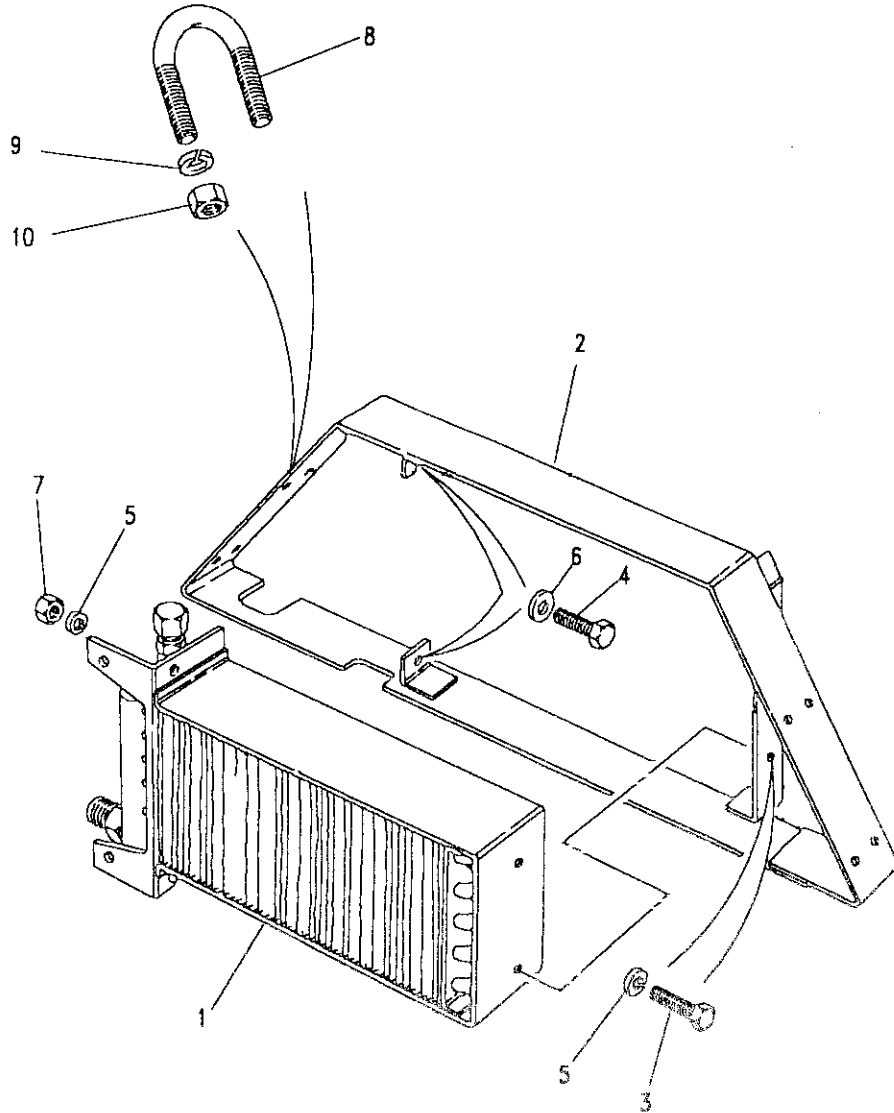
**ENGINE OIL COOLER - OIL COOLER AND MOUNTING FRAME**

Ill. Part No.	Description	Qty	Remarks
<b>4 Cylinder Petrol</b>			
1 NRC7741	Oil cooler	1	Upto VIN FA389798 Note(1)
<b>Diesel</b>			
1 NRC7741	Oil cooler	1	Upto VIN FA389798 Note(1)
<b>Diesel Turbo</b>			
1	Oil cooler		Note(2)
<b>V8 - Non Air Con</b>			
1 NRC7741	Oil cooler	1	Upto VIN FA429127 Note(3)
<b>V8 - Air con</b>			
1 NRC8201	Oil cooler	1	Upto VIN FA429127 Note(3)



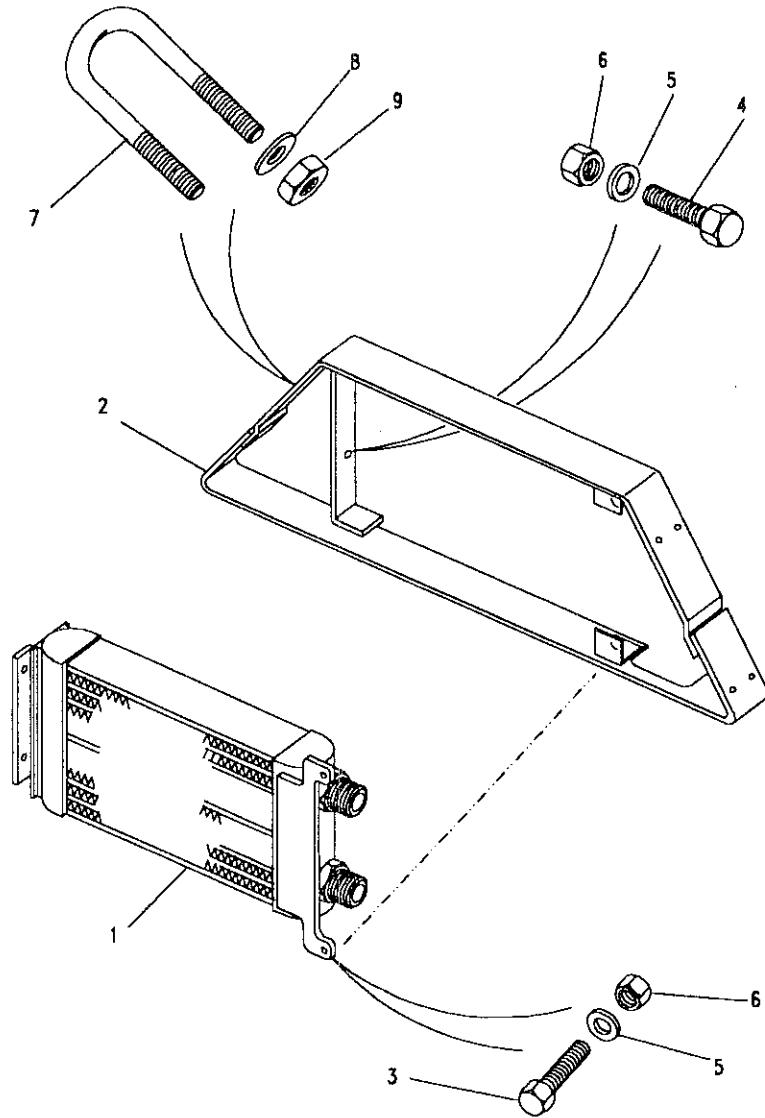
**Model** DEFENDER 110 1987 onwards  
**Page** AFLXAG1A

**ENGINE OIL COOLER - OIL COOLER AND MOUNTING FRAME**



Ill. Part No.	Description	Qty	Remarks
2	NRC7458 Frame mounting	1	)
3	SH106121L Screw	2	)
4	FS106161 Screw	2	)
5	WL106001L Washer spring	4	)Upto VIN
6	WA106041L Washer plain	2	)FA429127
7	NH106041L Nut	2	)Except
8	NRC7459 U bolt	4	)Air Con
9	WL106001L Washer spring	8	)
10	NH106041L Nut	8	)
	SH106121L Screw	2	)Upto VIN
	WL106001L Washer spring	4	)FA429127
	NH106041L Nut	2	)Air Con

Note(1) From VIN FA389799 - Engine oil cooler is part of radiator  
 Note(2) Diesel Turbo - Engine oil cooler is part of radiator  
 Note(3) From VIN FA429128 - Engine oil cooler is part of radiator



**Model** DEFENDER 110 1987 onwards  
**Page** AFLXAG2A

**GEARBOX OIL COOLER - COOLER AND FRAME - V8 LT77 GEARBOX**

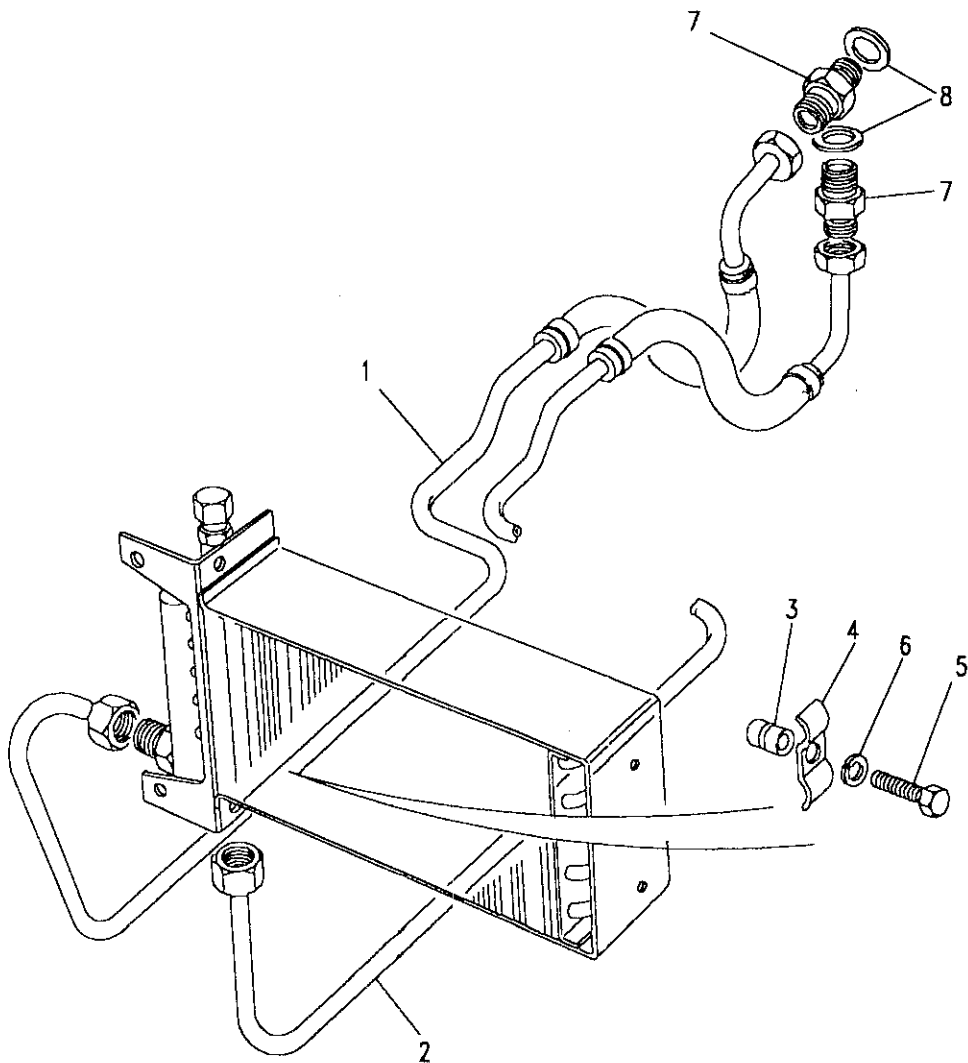
III. Part No.	Description	Qty	Remarks
1 ESR488	Oil cooler	1	Upto JA922091
ESR1554	Oil cooler	1	From JA922092
2 ESR489	Frame mounting	1	
3 FS106167I	Screw	2	
4 SH106121L	Screw	2	
5 WA106041L	Washer plain	4	
6 NH106041L	Nut	4	
<b>Non Air Con</b>			
7 NRC7459	U bolt	4	
8 WA106041L	Washer plain	8	
9 NH106041L	Nut	8	

**Model** DEFENDER 110 1987 onwards  
**Page** AFLXA11A

**ENGINE OIL COOLER - PIPES - NOTE(1)**

III. Part No.	Description	Qty	Remarks
1	NRC8507	1	Pipe assembly feed
	NRC8509	1	Pipe assembly feed
2	NRC8508	1	Pipe assembly return
	NRC8510	1	Pipe assembly return
3	NN106011	1	Nutsert
4	594637	1	Clamp pipe
5	FS106167L	1	Screw
6	WL106001L	1	Washer spring
7	NRC8618	2	Coupling
8	ETC7398	2	Washer copper

Note(1) 2.5 Petrol and Diesel - Upto VIN FA389798



**Model** DEFENDER 110 1987 onwards  
**Page** AFLXAI2A

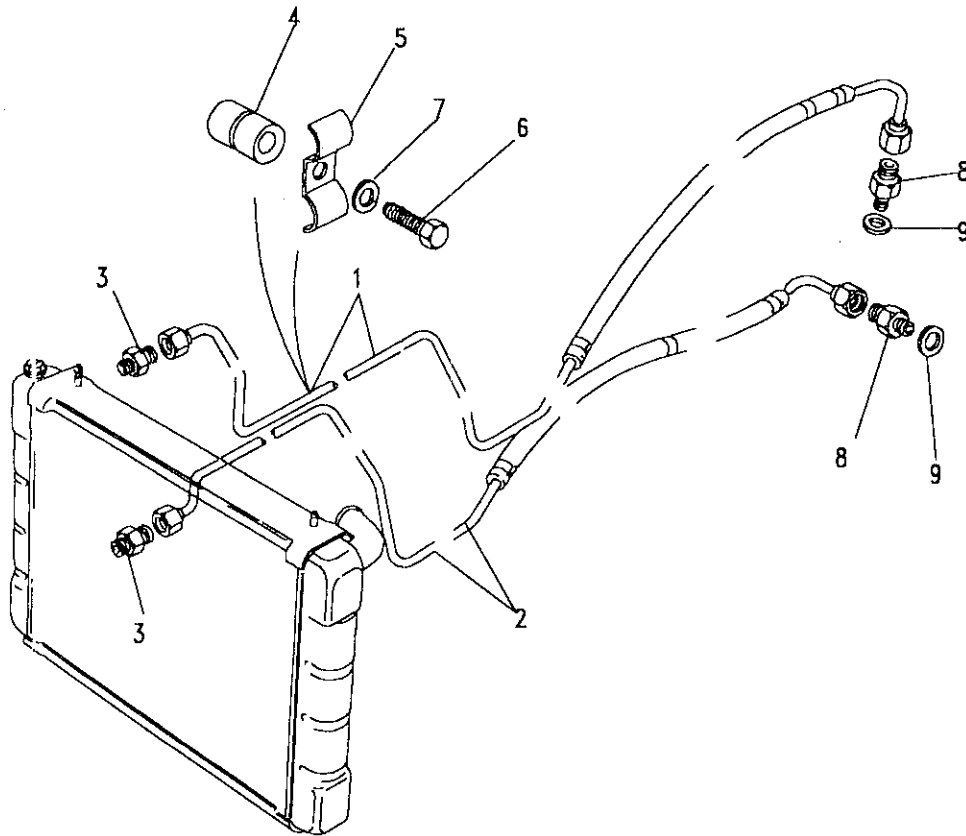
**ENGINE OIL COOLER - PIPES**

**III. Part No. Description Qty Remarks**

**Diesel Turbo and 200Tdi**

**2.5 Petrol and Diesel Nat Asp - From VIN FA389799**

III. Part No.	Description	Qty	Remarks
1	NTC2927	1	Upto VIN FA430172
	ESR71	1	From VIN FA430173
			Upto VINJA919831
	ESR280	1	From VIN FA430173
			Upto VIN JA919831
	ESR280	1	200Tdi
			Upto VIN JA919831
	ESR1912	1	From VIN JA919832
2	NTC2928	1	Upto VIN FA430172
	ESR281	1	From VIN FA430173
			Upto VIN JA919831
	ESR281	1	200Tdi
			Upto VIN JA919831
	ESR1913	1	From VIN JA919832
3	NTC3858	2	Upto VIN JA919831
	ESR1262	2	From VIN JA919832
4	NN106011	1	
5	594637	1	
	NTC6847	2	200Tdi
6	FS106167L	1	
7	WL106001L	1	
	WA106041L	2	200Tdi
	NY106041L	1	200Tdi
	568680	1	200Tdi
8	NRC8618	2	
9	ETC7398	2	

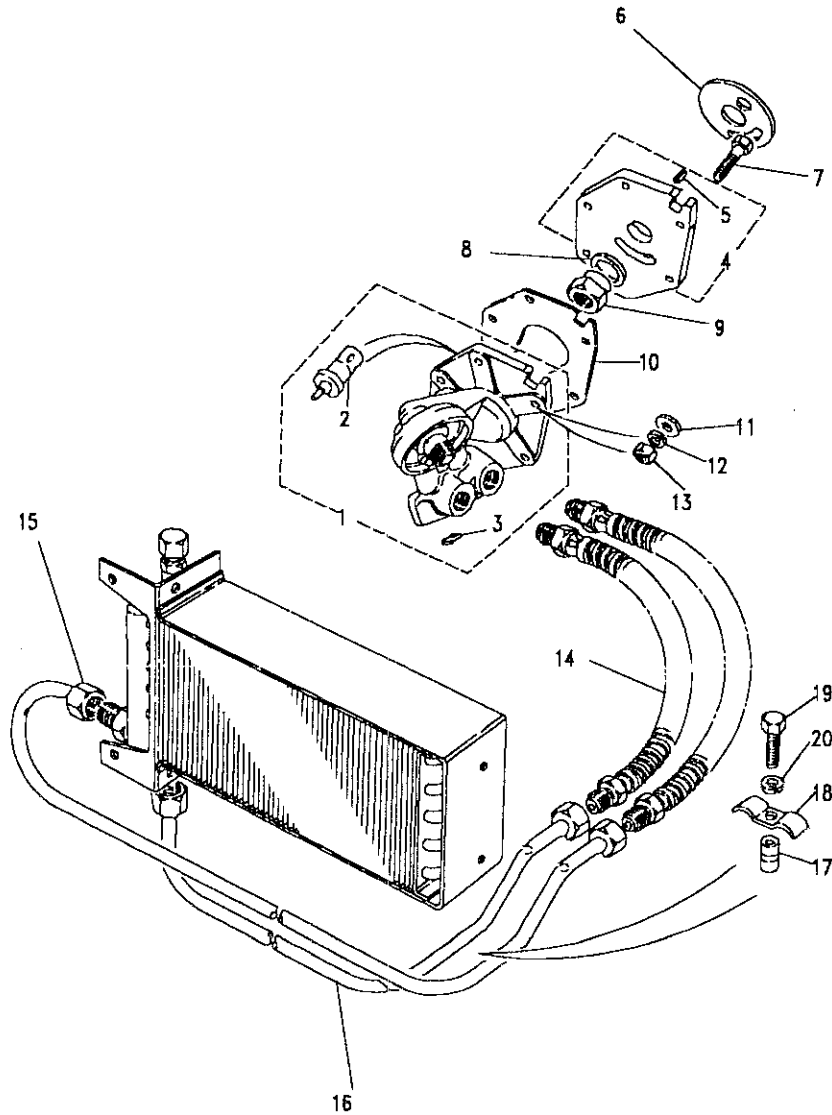




Model DEFENDER 110 1987 onwards  
Page AFLXAI3A

ENGINE OIL COOLER - PIPES - V8 - UPTO VIN FA429127

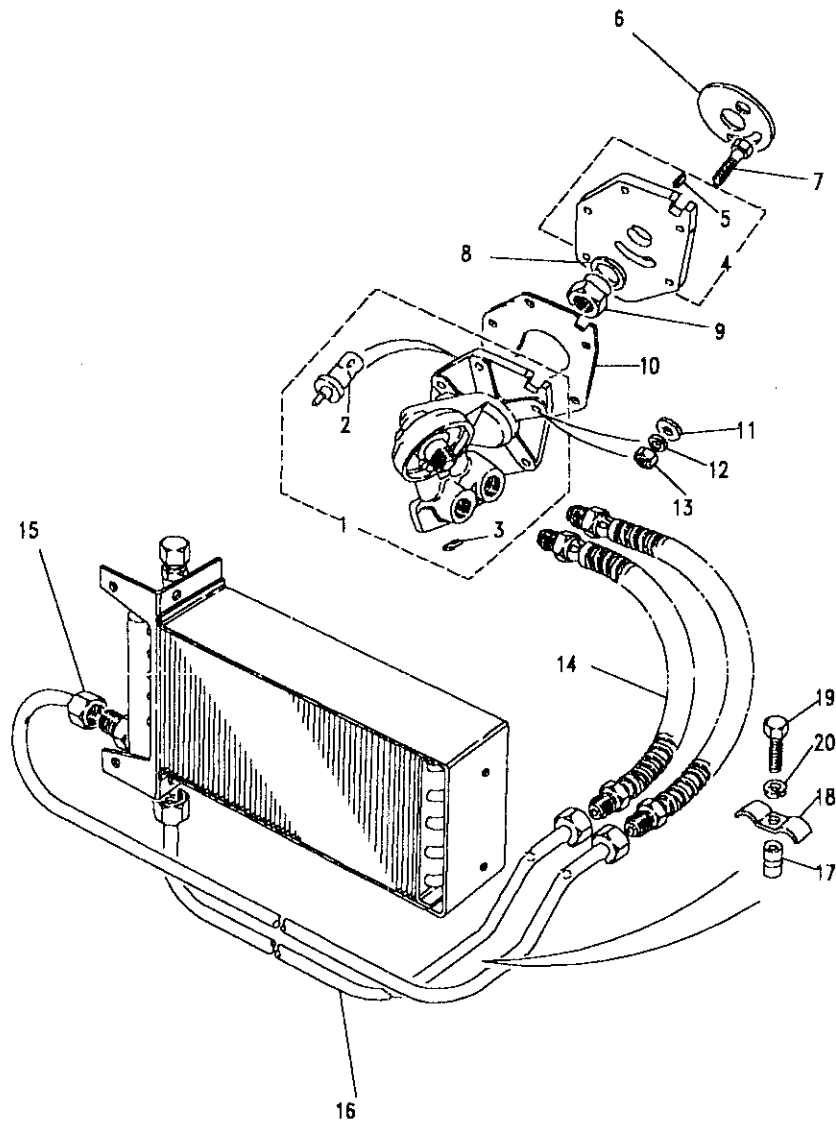
III. Part No.	Description	Qty	Remarks
1	ERC6720	1	Adaptor assembly bypass
2	ERC5923	1	Thermostat
3	TRS1114L	2	O ring
4	ERC6722	1	Baseplate
	ETC6812	1	Baseplate
5	PA105101	1	Pin spring
6	SH108301L	5	Screw
7	ERC6890	1	Joint washer
	ERR852	1	Joint washer
8	ERC3724	1	Washer
9	ERC3500	1	Nut tube
10	ERC6723	1	Joint washer





**Model** DEFENDER 110 1987 onwards  
**Page** AFLXAI3A

**ENGINE OIL COOLER - PIPES - V8 - UPTO VIN FA429127**



III. Part No.	Description	Qty	Remarks
11	WA108051L	5	
12	WL108001L	5	
13	FN108041L	5	
14	NRC4162	2	
15	NRC5824	1	
	NRC8198	1	Air con
16	NRC5823	1	
	NRC8199	1	Air con
17	NN106011	1	
18	594637	1	
19	FS106167L	1	
20	WL106001L	1	



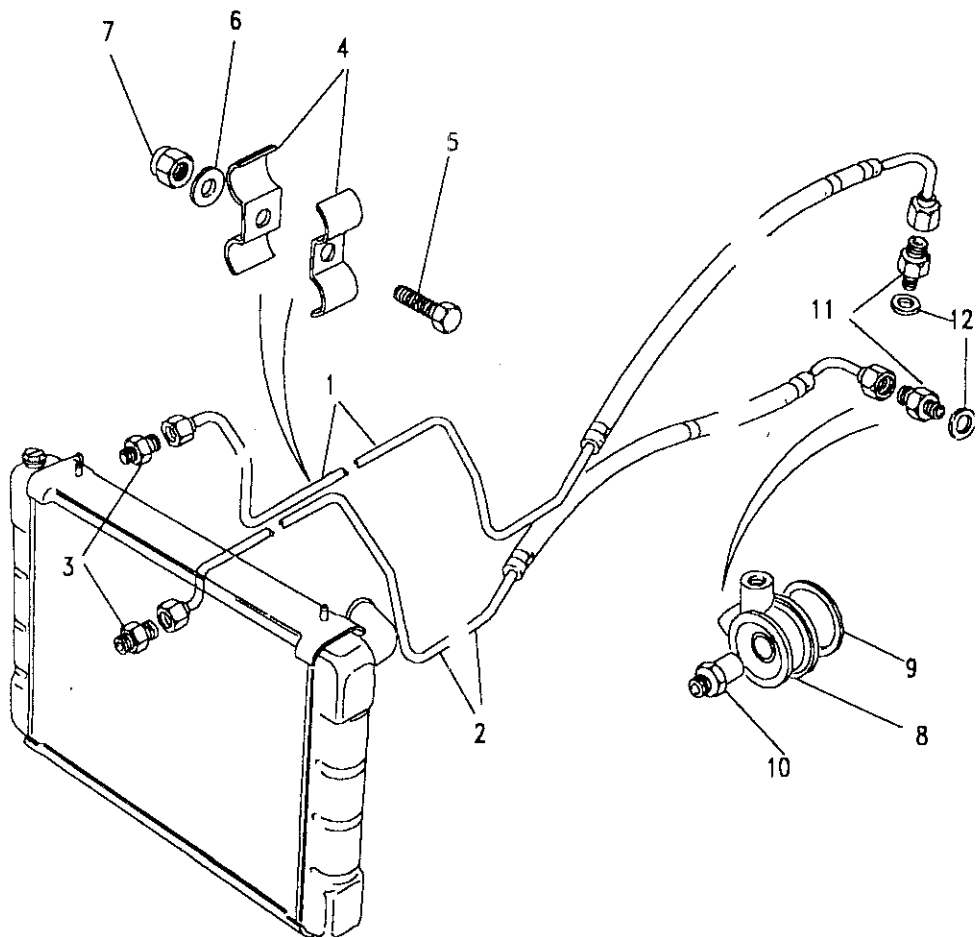
Model DEFENDER 110 1987 onwards

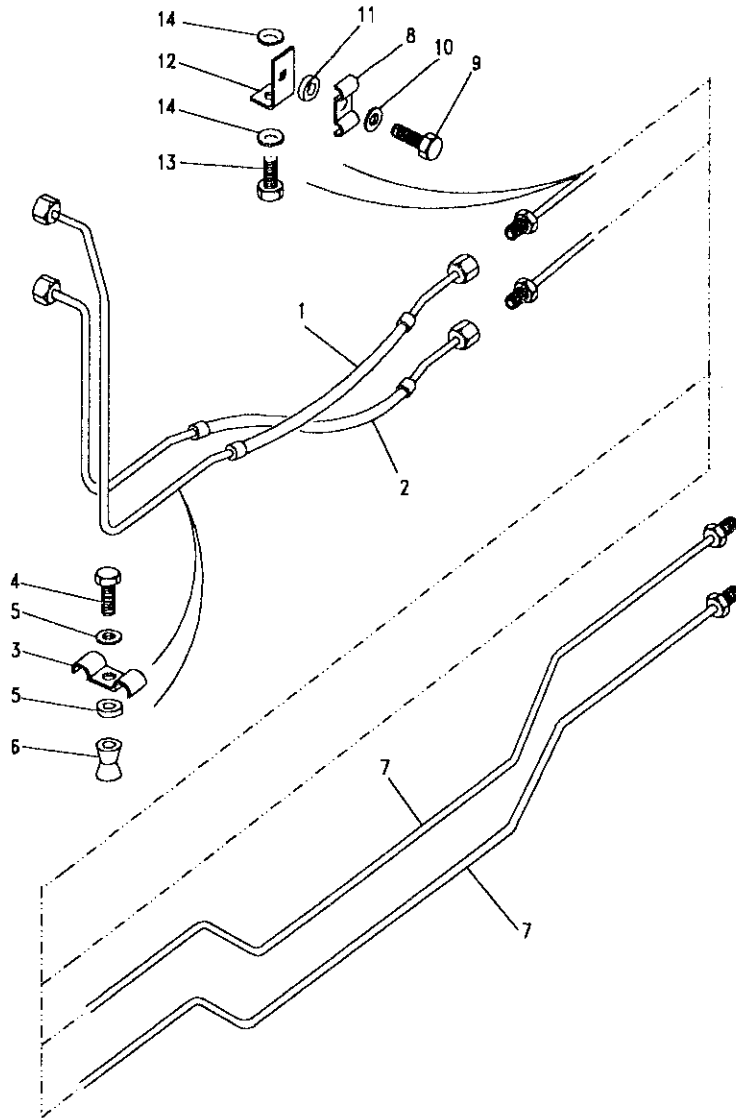
Page AFLXAI4A

## ENGINE OIL COOLER - PIPES - V8 - FROM VIN FA429128

III. Part No.	Description	Qty	Remarks
1	ESR399	1	Upto VIN JA922098
	ESR583	1	Upto VIN JA922098
	ESR1915	1	From VIN JA922099
2	NTC5624	1	Except Note(1)
	ESR398	1	Upto VIN JA922098
	ESR1914	1	Note(1)
	NTC3858	1	Upto VIN JA922098
3	ESR1262	2	From VIN JA922099
	NTC6847	2	Upto VIN JA922098
4	FS106167L	2	From VIN JA922099
5	WA106041L	1	
6	NY106041L	1	
7	ERC8501	1	
8	ERR852	1	
9	ERC2226L	1	
10	ETC9064	2	
11	ETC9065	2	

Note(1) RHS vehicles with Gemmer power steering box from VIN HA469818





**Model** DEFENDER 110 1987 onwards  
**Page** AFLXAI5A

**GEARBOX OIL COOLER - PIPES - V8 LT77 GEARBOX**

III. Part No.	Description	Qty	Remarks
<b>Non Air Con</b>			
1 ESR570	Pipe oil cooler RH front	1	Upto VIN JA922098
ESR1919	Pipe oil cooler RH front	1	From VIN JA922099
2 ESR571	Pipe oil cooler LH front	1	Upto VIN JA922098
ESR1920	Pipe oil cooler LH front	1	From VIN JA922099
<b>Air Con</b>			
1 ESR530	Pipe oil cooler RH front	1	Upto VIN JA922098
ESR1918	Pipe oil cooler RH front	1	From VIN JA922099
2 ESR531	Pipe oil cooler LH front	1	Upto VIN JA922098
ESR1917	Pipe oil cooler LH front	1	From VIN JA922099
3 594637	Clip retaining	1	
4 FS106167L	Screw	1	
5 WA106041L	Washer plain	2	
6 NN106011	Nut anchor	1	
7 ESR527	Pipe oil cooler rear	2	Upto VIN JA922098
ESR1916	Pipe oil cooler rear	2	From VIN JA922099
8 594637	Clip retaining	1	
9 FS106201L	Screw	1	
10 WA108051L	Washer plain	1	
11 WA106041L	Washer plain	1	
12 NTC5897	Bracket mounting	1	
13 SH505081L	Screw	1	
14 WA106001L	Washer plain	2	

**Model** DEFENDER 110 1987 onwards  
**Page** AFLXCA1A

**COOLING SYSTEM - EXPANSION TANK**

**III. Part No. Description Qty Remarks**  
 Petrol, Nat Asp Diesel, Diesel Turbo

**4 Cylinder, All Variants**

1	ESR2733	Tank expansion	1	
2	RTC3610	Cap expansion tank-9psi	1	Upto LA932798
	PCD100150	Cap expansion tank-15psi	1	From LA932799
	565540	Cap expansion tank-15psi	1	Diesel Turbo

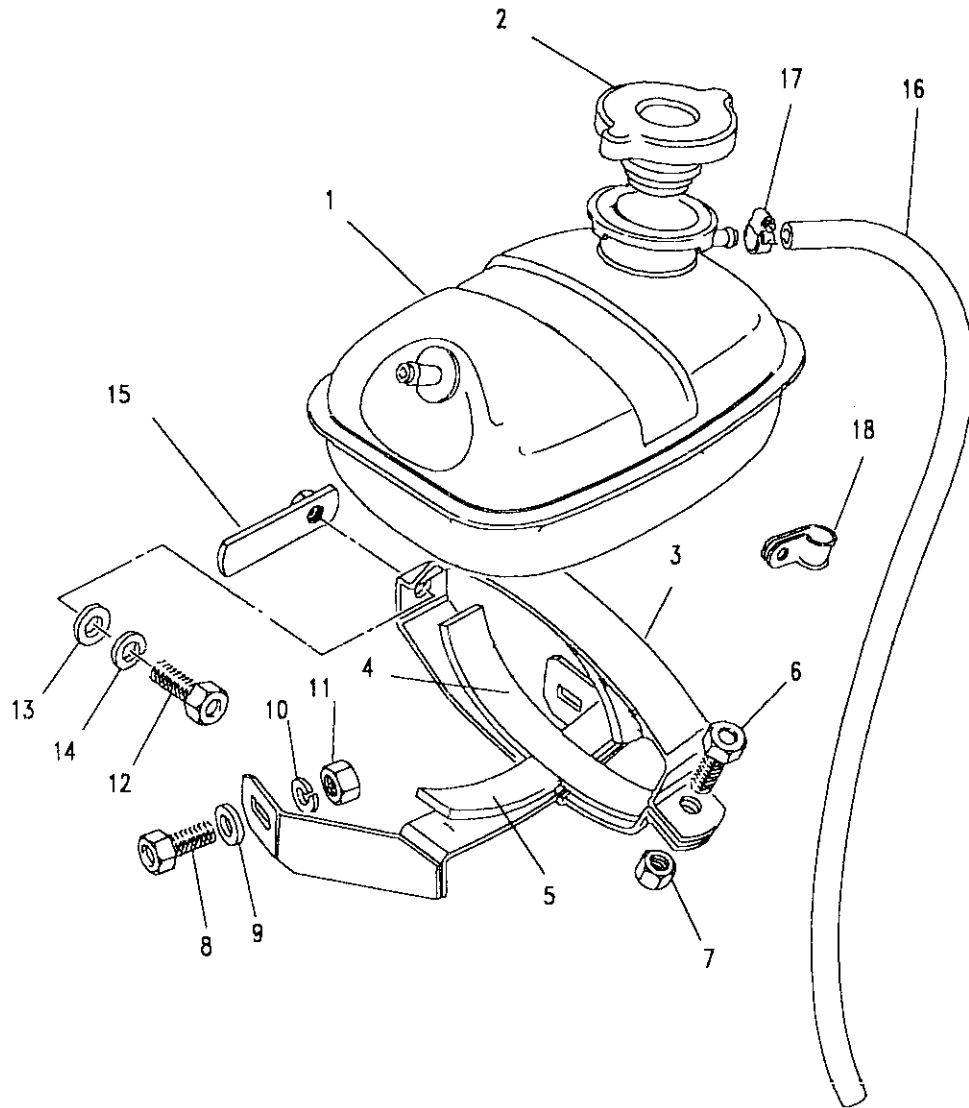
**V8**

1	ESR2734	Tank expansion	1	
2	PCD100150	Cap expansion tank-15psi	1	

3	NRC6692	Carrier	1	
4	NRC5294	Strip carrier	2	
5	NRC5295	Strip carrier	2	

**Fixings - Carrier to tank**

6	SH106207L	Screw	1	Upto FA389798
	FS106201L	Flange screw	1	From FA389799
7	NY106041L	Nut nyloc	1	



**Model** DEFENDER 110 1987 onwards  
**Page** AFLXCA1A

**COOLING SYSTEM - EXPANSION TANK**

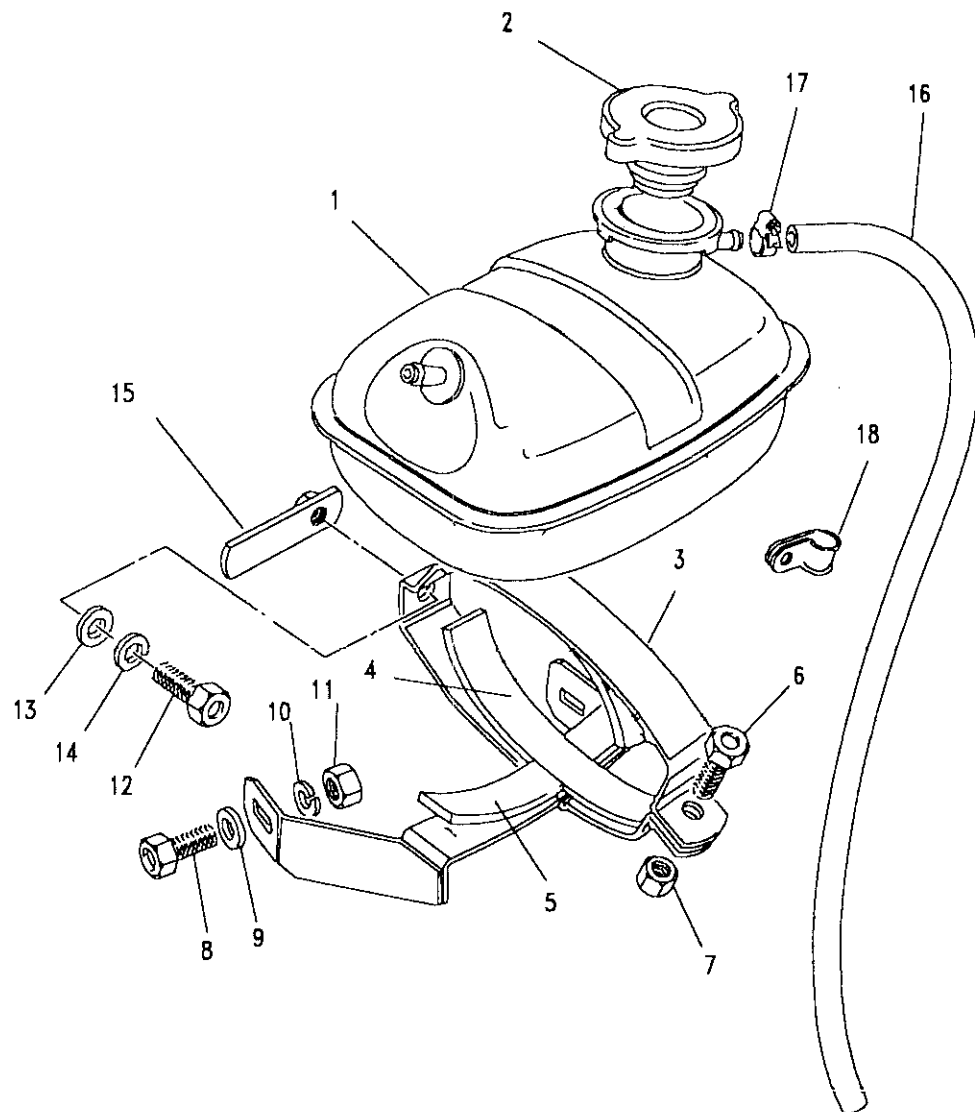
**III. Part No. Description Qty Remarks**

**Fixings - Carrier to wheelarch**

8	SH106207L	Screw	2	)
9	WC106047	Washer plain	4	)Upto
10	WL106007L	Washer spring	2	)FA389798
11	NH106047	Nut	2	)
	FS106201L	Flange screw	2	)
	WC106041L	Washer plain	4	)From
	WL106001L	Washer spring	2	)FA389799
	NH106041L	Nut	2	)

**Fixings - Carrier to wing**

12	SH106207L	Screw	1	)Upto
13	WC106047	Washer plain	1	)FA389798
14	WL106007L	Washer spring	1	)
	FS106201L	Flange screw	1	)From
	WC106041L	Washer plain	1	)FA389799
	WL106001L	Washer spring	1	)
15	NRC7133	Nut plate	1	)
16	564724	Hose overflow	1	)
17	NRC1360	Clip hose	1	)
18	CP106121	Clip retaining	1	)





DEFENDER 110 1987 onwards

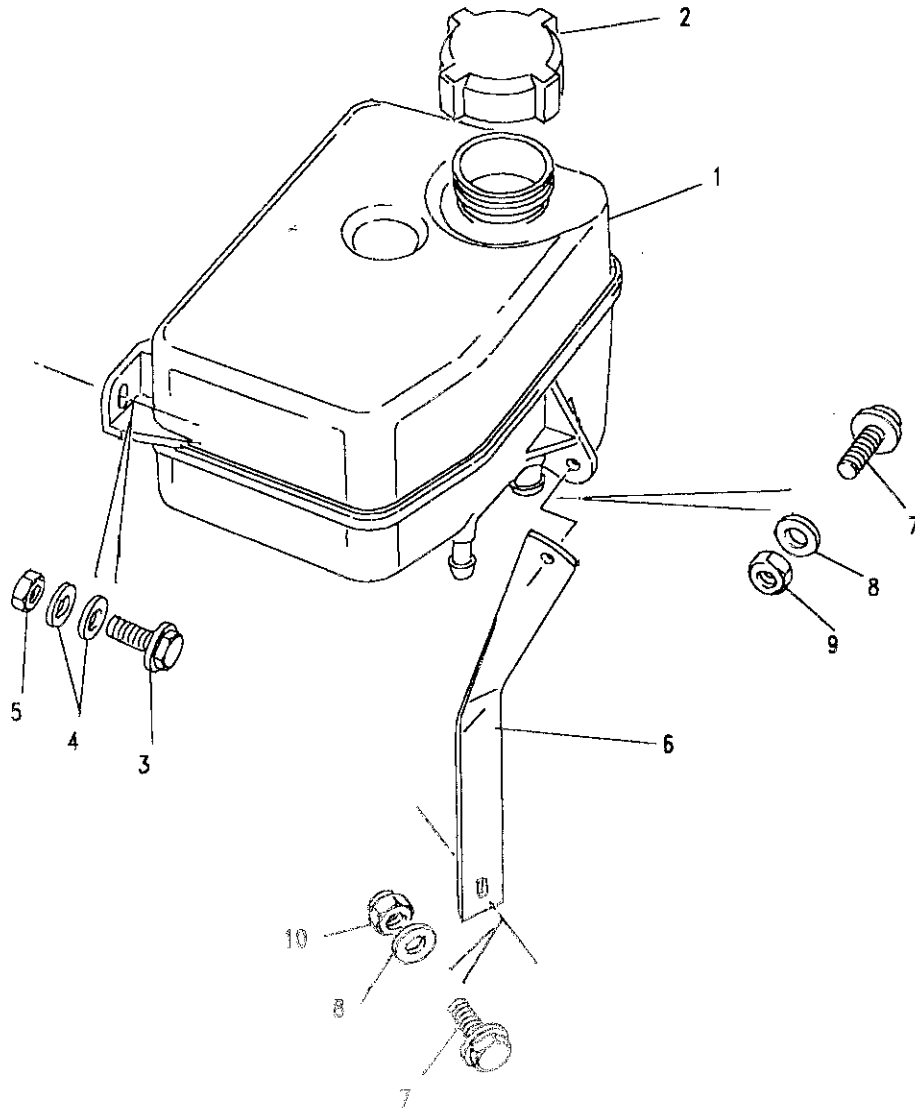
621

COOLING/HEATING

**Model** DEFENDER 110 1987 onwards  
**Page** AFLXCC1A

**COOLING SYSTEM - EXPANSION TANK**

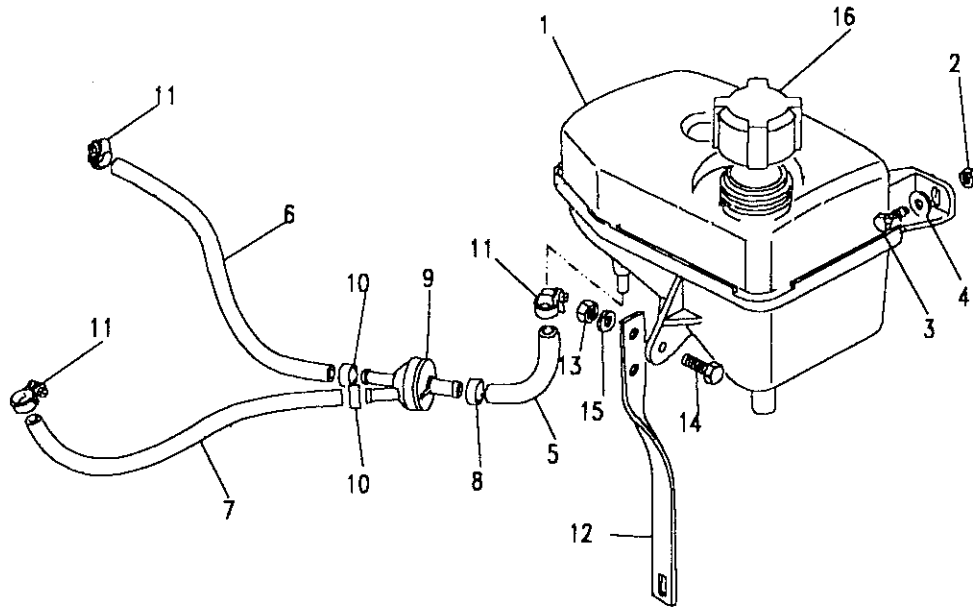
III. Part No.	Description	Qty	Remarks
<b>200TDI</b>			
1 ESR63	Tank expansion	1	
2 NTC7161	Cap expansion tank	1	15 psi
3 FS106167L	Screw	2	
4 WA106041L	Washer plain	4	
5 NH106041L	Nut	2	
6 ESR584	Bracket mounting	1	
7 FS106167L	Screw	2	
8 WA106041L	Washer plain	2	
9 NH106041L	Nut	1	
10 NY106041L	Nut nyloc	1	



**Model** DEFENDER 110 1987 onwards  
**Page** AFLXCC1B

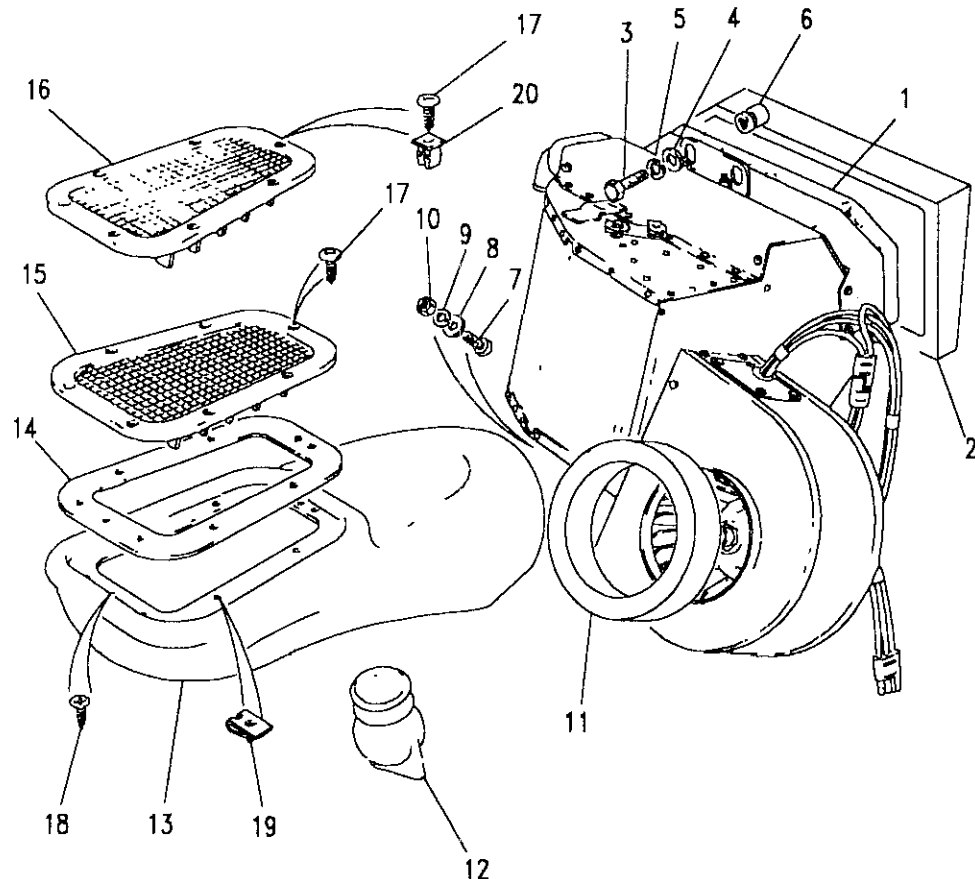
**COOLING SYSTEM - EXPANSION TANK**

III. Part No.	Description	Qty	Remarks
<b>300TDI</b>			
1	ESR0063	1	Expansion tank
2	NH106041	3	Nut M6
3	SH106161	3	Screw M6
4	WA106041	5	Washer plain
5	ESR2343	1	Hose ejector/exp.tank
6	ESR2344	1	Hose radiator/ejector
7	ESR2345	1	Hose engine/ejector
8	ESR2346	1	Clip oetiker hose type
9	ESR2348	1	Pump ejector
10	ESR2349	2	Clip oetiker hose type
11	CN100208	3	Clip hose
12	ESR2313	1	Bracket mounting
13	NH106041	1	Nut M6
14	SH106161	1	Screw M6
15	WA106041	1	Washer plain
16	NTC7161	1	Cap expansion tank-15psi



**Model** DEFENDER 110 1987 onwards  
**Page** AFLXGA1A

**HEATING SYSTEM - HEATER**



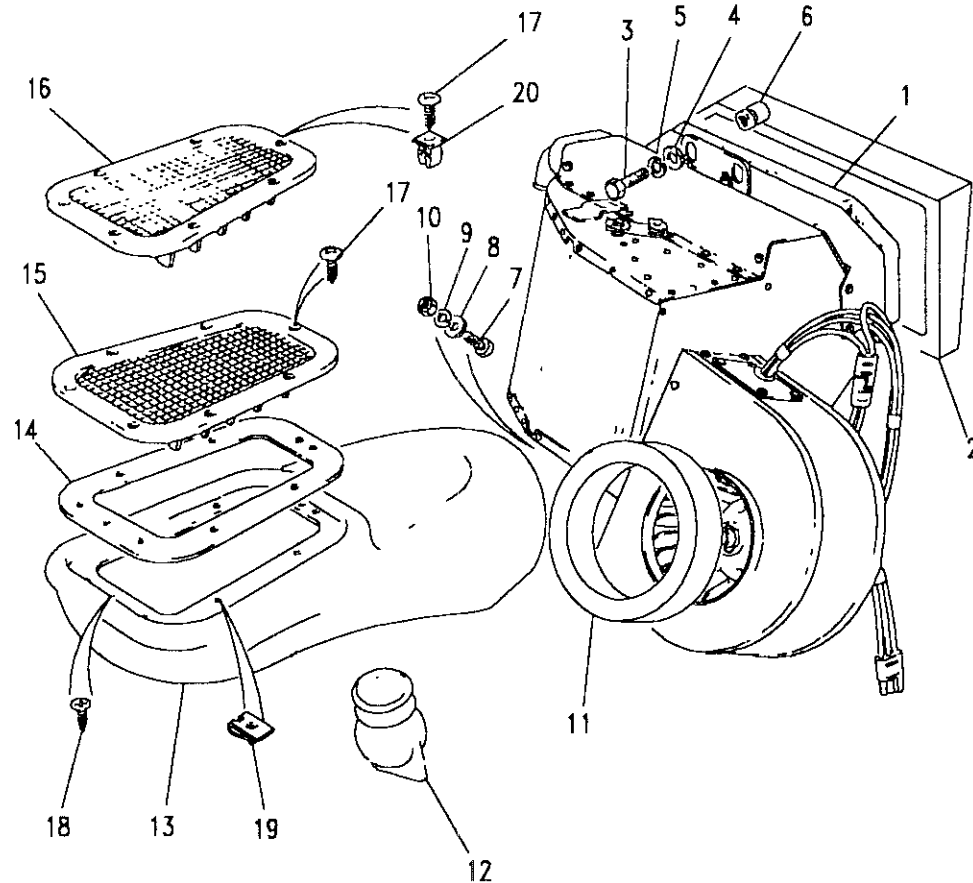
III. Part No.	Description	Qty	Remarks
<b>4 Cylinder</b>			
1 STC456	Heater kit-RHS	1	Upto VIN HA900750
BTR1116	Heater assembly-RHS	1	From VIN HA900751 up to LA939975
BTR4318	Heater assembly - RHS	1	From MA939976
BTR1109	Heater assembly-LHS	1	Upto VIN HA900794
BTR1117	Heater assembly-LHS	1	From VIN HA900795 up to LA939975
BTR4317	Heater assembly - LHS	1	From MA939976
<b>200TDI</b>			
1 STC456	Heater kit-RHS	1	Upto VIN HA900808
BTR1116	Heater assembly-RHS	1	From VIN HA900809 up to LA939975
BTR4318	Heater assembly - RHS	1	From MA939976
BTR1109	Heater assembly-LHS	1	Upto VIN HA900795
BTR1117	Heater assembly-LHS	1	From VIN HA900796 up to LA939975
BTR4317	Heater assembly - LHS	1	From MA939976
<b>V8</b>			
1 STC456	Heater kit-RHS	1	Upto VIN HA900869
BTR1116	Heater assembly-RHS	1	From VIN HA900870 up to LA939975
BTR4318	Heater assembly - RHS	1	From MA939976
BTR1109	Heater assembly-LHS	1	Upto VIN HA900889
BTR1117	Heater assembly-LHS	1	From VIN HA900890 up to LA939975
BTR4317	Heater assembly - LHS	1	From MA939976





Model DEFENDER 110 1987 onwards  
Page AFLXGA1A

HEATING SYSTEM - HEATER

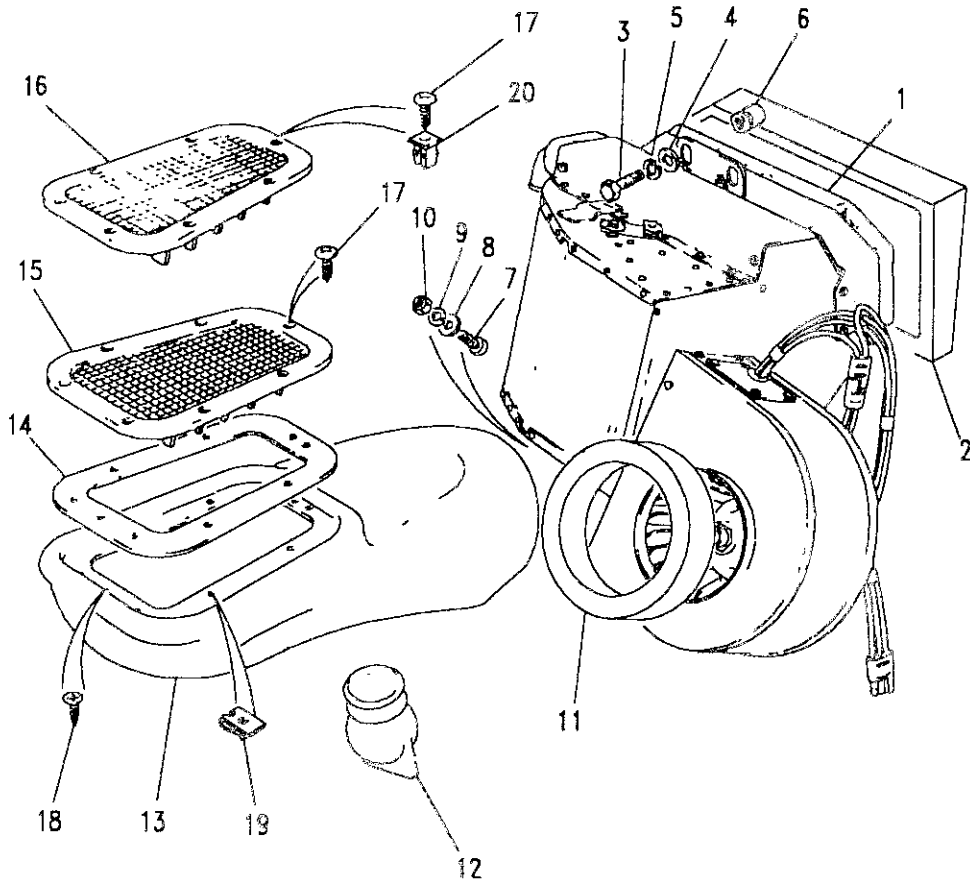


III. Part No.	Description	Qty	Remarks
<b>300TDI</b>			
BTR4318	Heater assembly - RHS	1	
BTR4317	Heater assembly - LHS	1	
<b>All variants</b>			
2 STC952	Seal-heater to dash	1	RHS
STC953	Seal-heater to dash	1	LHS
3 SH108161L	Screw-to dash	2	
4 RTC610	Washer plain	1	
5 WL108001L	Washer spring	2	
6 NN108021	Nutsert	2	
7 FS106167L	Screw	2	
8 WA106041L	Washer plain	2	
9 WL106001L	Washer spring	2	
10 NH106041L	Nut	2	



Model DEFENDER 110 1987 onwards  
 Page AFLXGA1A

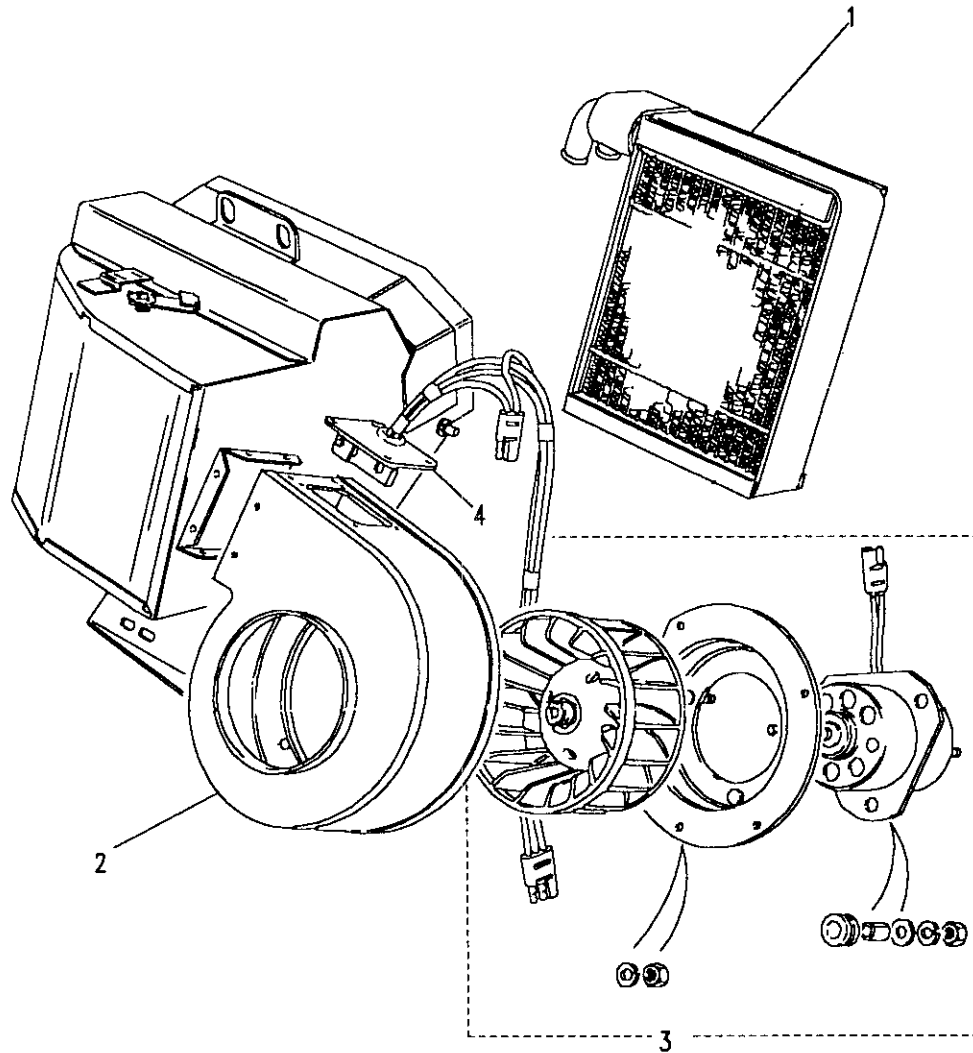
HEATING SYSTEM - HEATER



III. Part No.	Description	Qty	Remarks
11	MRC8378 Seal heater	1	
12	MUC2417 Valve dump	1	
13	MUC2419 Duct heater LH	1	RHS
	MUC2418 Duct heater RH	1	LHS
14	MRC9998 Seal Duct	1	
15	MRC9939 Finisher Grille LH	1	RHS
	MRC9938 Finisher Grille RH	1	LHS
16	MRC9940 Finisher Blanking RH	1	RHS
	MRC9941 Finisher Blanking LH	1	LHS
17	AB608065L Screw	14	
18	AC608041L Screw	4	
19	AJ608041 Clip spire	9	
20	CZK619 Nut lokut	9	

**Model** DEFENDER 110 1987 onwards  
**Page** AFLXGA2A

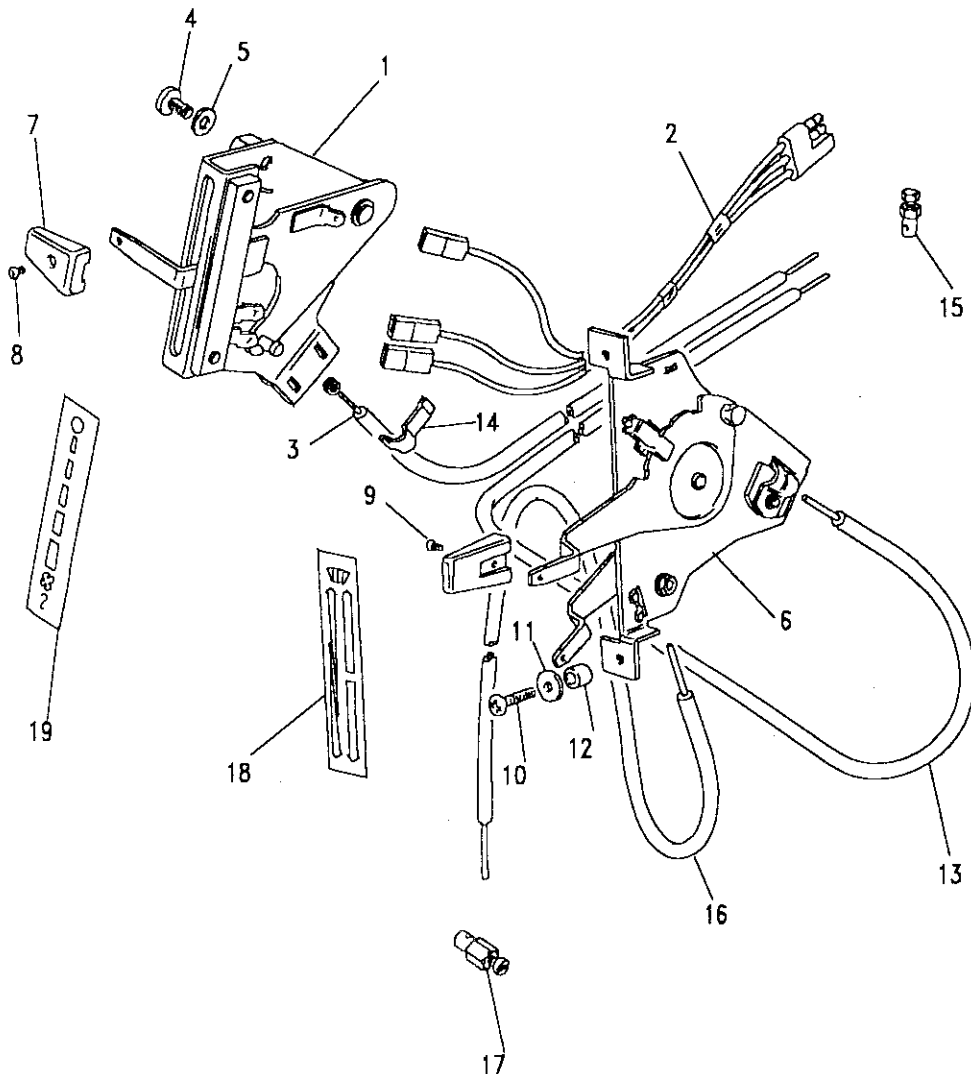
**HEATING SYSTEM - HEATER COMPONENTS**



Ill. Part No.	Description	Qty	Remarks
1	AAP817	1	Note(1)
	UTP1725	1	Note(2)
2	AAP810	1	Up to LA939975
	UTP1259	1	From MA939975
	AAP811	1	Up to LA939975
	UTP1258	1	From MA939975
3	RTC4200	1	Up to LA939975
	RTC4201	1	Up to LA939975
	STC1207	1	From MA939975
4	UTP1281	1	RHS
	UTP1282	1	LHS

Note(1)  
 Note(2)

For Heater assy with downward facing inlet/outlet pipes BTR1109  
 For Heater assy with horizontal inlet/outlet pipes STC456 BTR1116  
 BTR1117



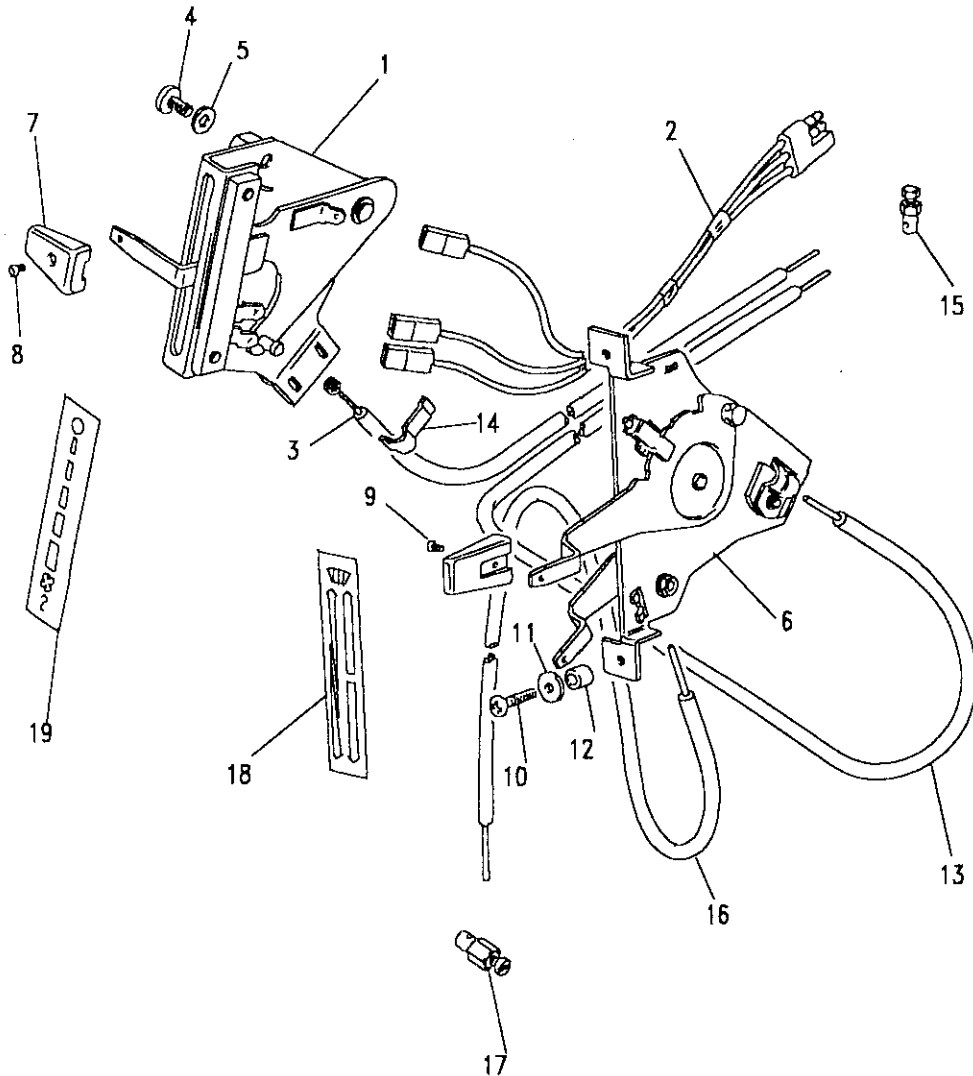
**Model** DEFENDER 110 1987 onwards  
**Page** AFLXGA3A

**HEATING SYSTEM - HEATER CONTROLS**

Ill. Part No.	Description	Qty	Remarks
<b>Up to LA939975</b>			
1	UTP1126	1	RHS
	UTP1125	1	LHS
2	AAP890	1	
3	AAP876	1	
<b>From MA939976</b>			
1	BTR4433	1	RHS
	AAP938	1	RHS
2	UTP1883	1	
3	AAP876	1	
14	13H7343L	1	
1	BTR4434	1	LHS
	AAP939	1	LHS
2	UTP1883	1	
3	AAP876	1	
14	13H7343L	1	

**Model** DEFENDER 110 1987 onwards  
**Page** AFLXGA3A

**HEATING SYSTEM - HEATER CONTROLS**



**III. Part No. Description Qty Remarks**

**Fixings - Control to cowl**

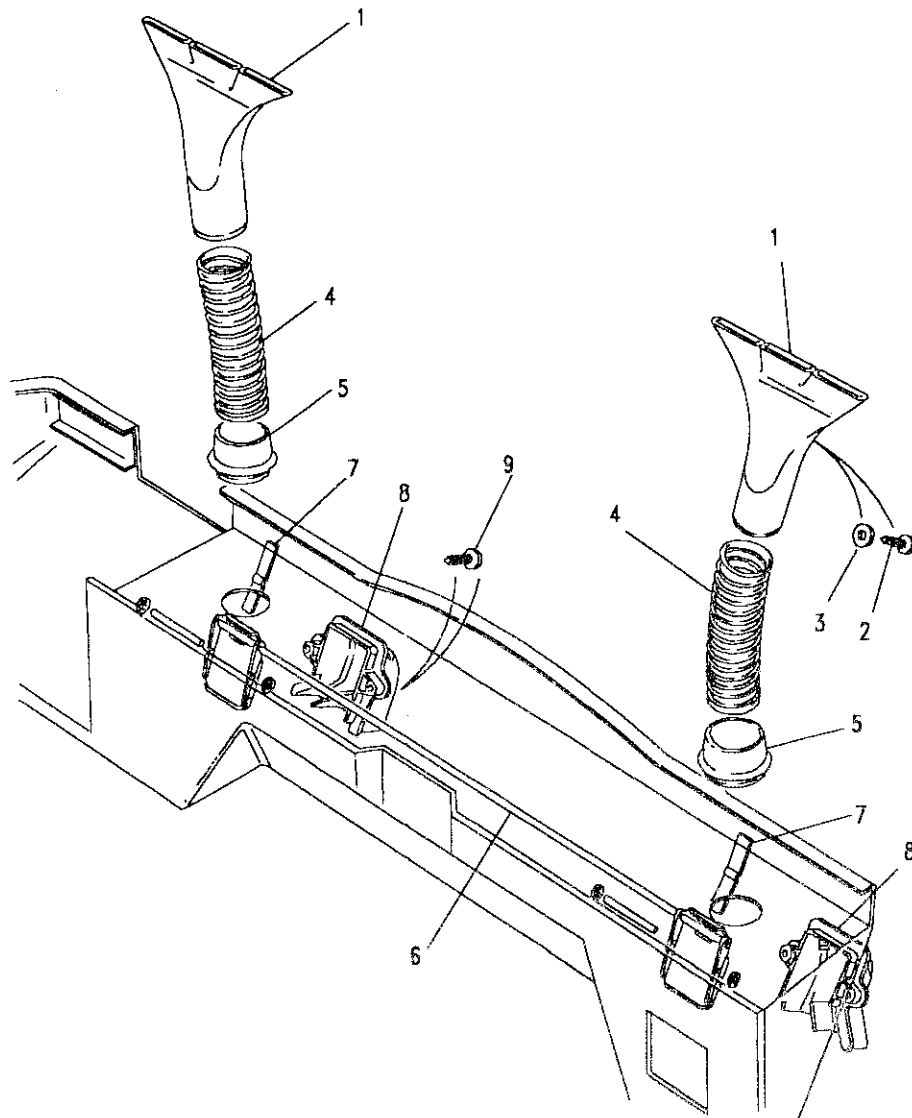
4	SE105161L	Screw	2	
5	WA105001L	Washer plain	2	
6	346924	Plate mounting and levers	1	RHS
7	347586	Plate mounting and levers	1	LHS
8	MTC2805	Knob	3	
8	SG103084	Screw	1	
9	MTC7737	Screw	2	

**Fixings - Mounting plate to dash**

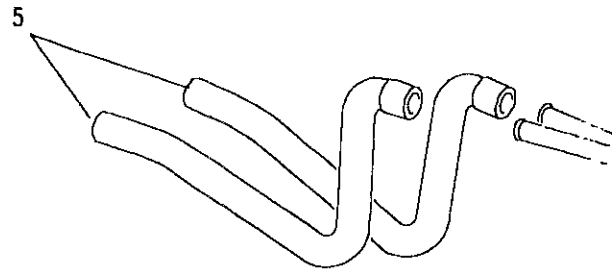
10	SE808244	Screw	2	
11	WA105004L	Washer plain	2	
12	MRC9922	Spacer	2	
13	MTC6194	Cable control - blend	1	
14	13H7343L	Clip retaining	2	
15	RTC5978	Trunnion	2	
16	347939	Cable control - distrib'n	1	Up to LA939975
17	BTR8736	Cable control - distrib'n	1	From MA939976
17	566902	Trunnion	1	
18	MTC6006	Label	1	
19	MTC6007	Label	1	

**Model** DEFENDER 110 1987 onwards  
**Page** AFLXIA1A

**HEATER SYSTEM - DEMISTERS AND OUTLET FLAPS**



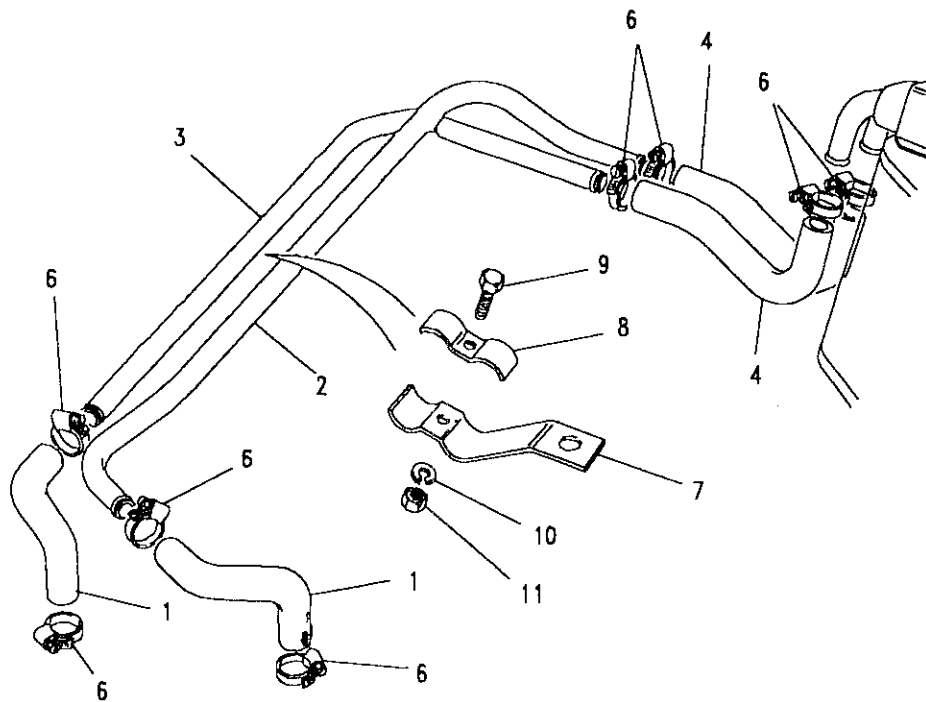
Ill.	Part No.	Description	Qty	Remarks
1	MRC9668	Nozzle RH	1	
	MXC3188	Nozzle RH	1	200Tdi
	BTR1600	Nozzle RH	1	Upto VIN JA906639 200Tdi From VIN JA906640
1	MRC9669	Nozzle demist outlet	1	
	MXC3189	Nozzle LH	1	200Tdi
	BTR1599	Nozzle LH	1	Upto VIN JA906639 200Tdi From VIN JA906640
2	AB608047L	Screw	2	
3	WA105001	Washer plain	2	
	AB608054L	Screw	4	200Tdi
	AK608021	Nut spring	4	200Tdi
4	MTC6382	Tube flexible	2	
5	MRC7281	Grommet	2	
6	346894	Flaps heater outlet	1	Upto VIN HA905500
	BTR1349	Flaps heater outlet	1	From VIN HA905501
7	346976	Spring	2	
8	395829	Grille outlet RH	1	
	395830	Grille outlet LH	1	
9	MRC1525	Screw	4	



**Model** DEFENDER 110 1987 onwards  
**Page** AFLXIA2A

**HEATING SYSTEM - HEATER PIPES - 4 CYL PETROL & DIESEL**

III. Part No.	Description	Qty	Remarks
<b>Engine feed and return</b>			
1 NRC6306	Hose heater	2	
<b>Heater feed</b>			
2 NRC6307	Pipe heater	1	RHS
NRC6422	Pipe heater	1	LHS
<b>Heater return</b>			
3 NRC6420	Pipe heater	1	RHS
NRC6421	Pipe heater	1	LHS
<b>Heater feed and return</b>			
4 NRC6308	Hose heater	2	RHS Upto VIN HA900750
NRC6309	Hose heater	2	LHS Upto VIN HA900794
5 BTR1134	Hose heater	2	RHS From VIN HA900751
BTR1135	Hose heater	2	LHS From VIN HA900795

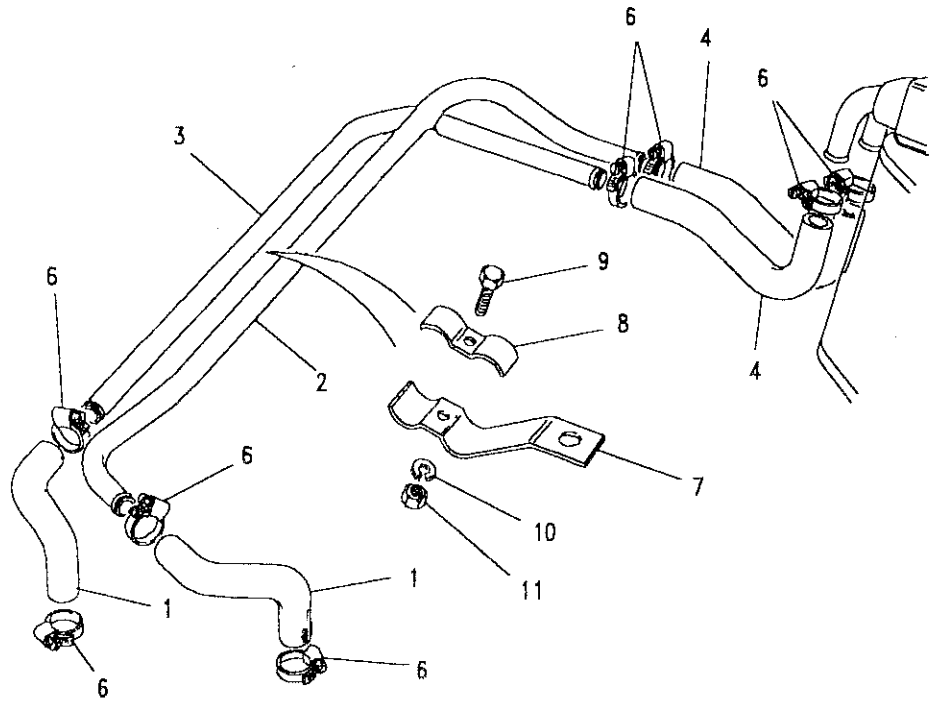
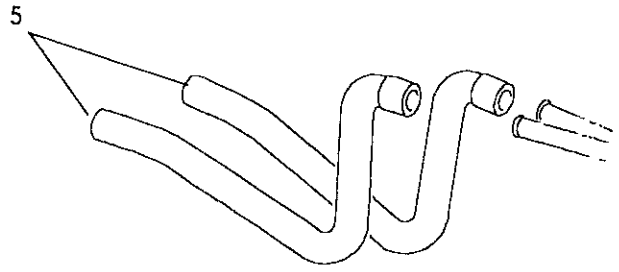




Model DEFENDER 110 1987 onwards  
Page AFLXIA2A

HEATING SYSTEM - HEATER PIPES - 4 CYL PETROL & DIESEL

III. Part No.	Description	Qty	Remarks
<b>Hose fixings</b>			
6	CN100258L	8	
7	NRC6417	1	Petrol
	NRC6418	1	Diesel
8	NRC6419	3	
9	SH106251L	2	
10	WL106001L	2	
11	NH106041L	2	



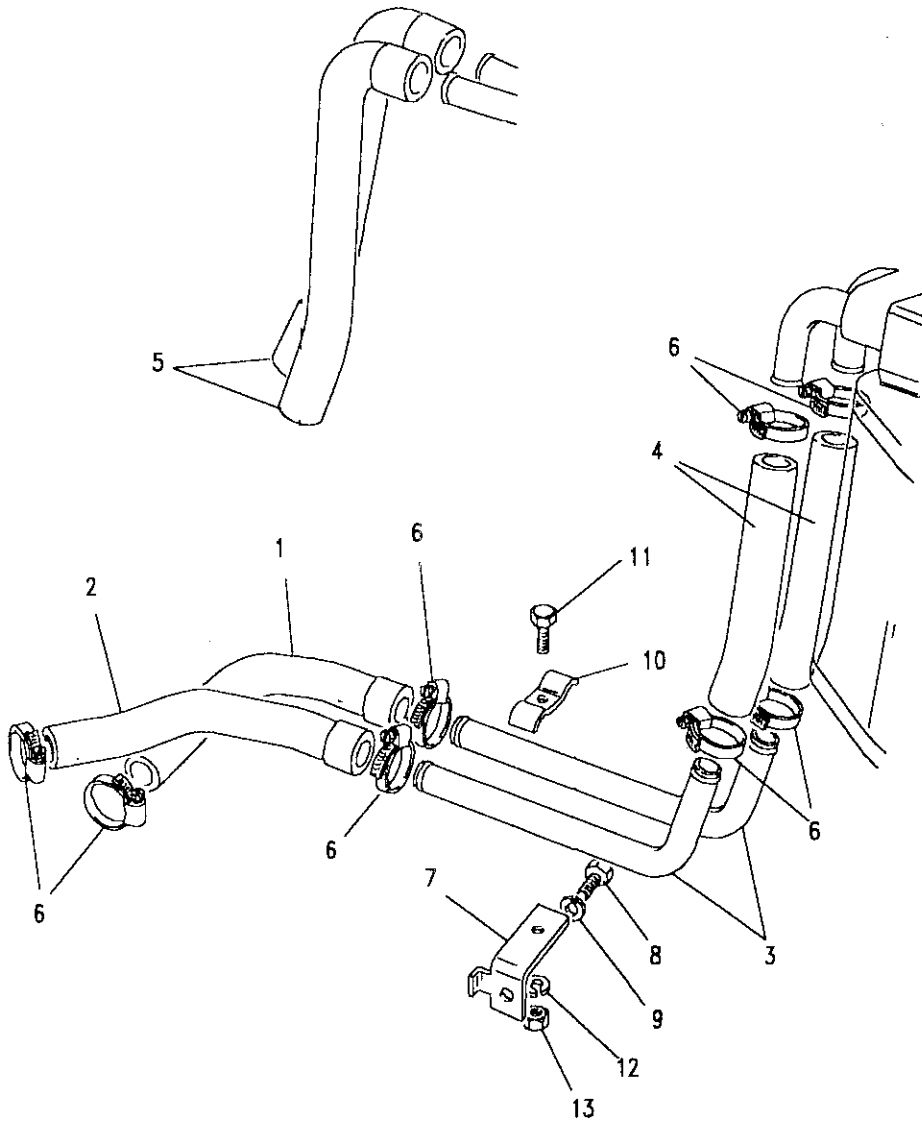




**Model** DEFENDER 110 1987 onwards  
**Page** AFLXIA4A

**HEATING SYSTEM - HEATER PIPES - V8**

Ill. Part No.	Description	Qty	Remarks
<b>Engine feed</b>			
1 NRC6311	Hose heater	1	RHS
NRC6352	Hose heater	1	LHS
<b>Engine return</b>			
2 NRC6314	Hose heater	1	RHS
NRC6353	Hose heater	1	LHS
<b>Heater feed and return</b>			
3 NRC6902	Pipe heater	2	RHS
NRC6312	Pipe heater	2	LHS
4 NRC6313	Hose heater	2	RHS
NRC6313	Hose heater	1	Upto VIN HA900869 LHS
5 BTR1136	Hose heater	2	Upto VIN HA900889 RHS
BTR1137	Hose heater	2	From VIN HA900870 LHS
6 CN100308I	Clip hose	8	From VIN HA900890
7 NRC8707	Bracket support	1	RHS
<b>Fixings - Bracket to engine</b>			
8 SH605071	Screw	1	
9 WM600051L	Washer spring	1	
10 NRC6419	Clamp pipe	1	RHS
11 1H106301	Screw	1	
12 WL106001	Washer spring	1	
13 NH106041L	Nut	1	





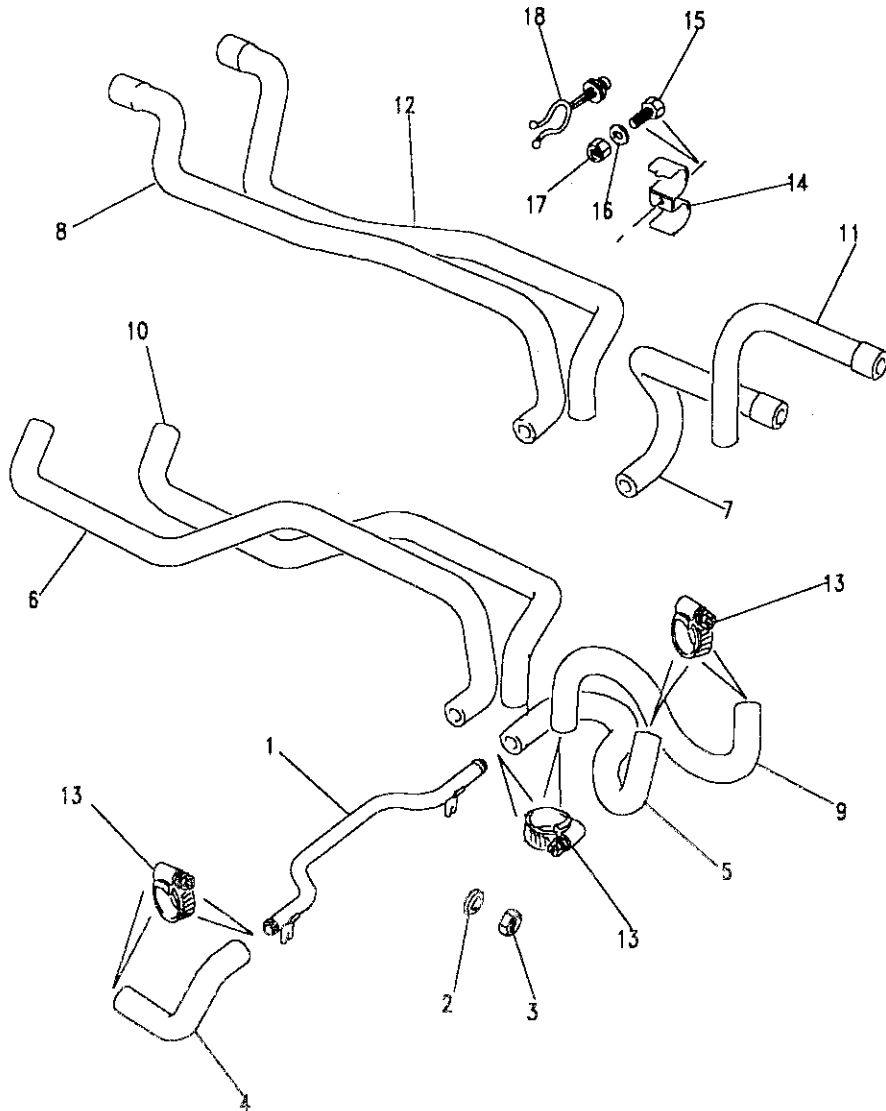
DEFENDER 110 1987 onwards

633

COOLING/HEATING

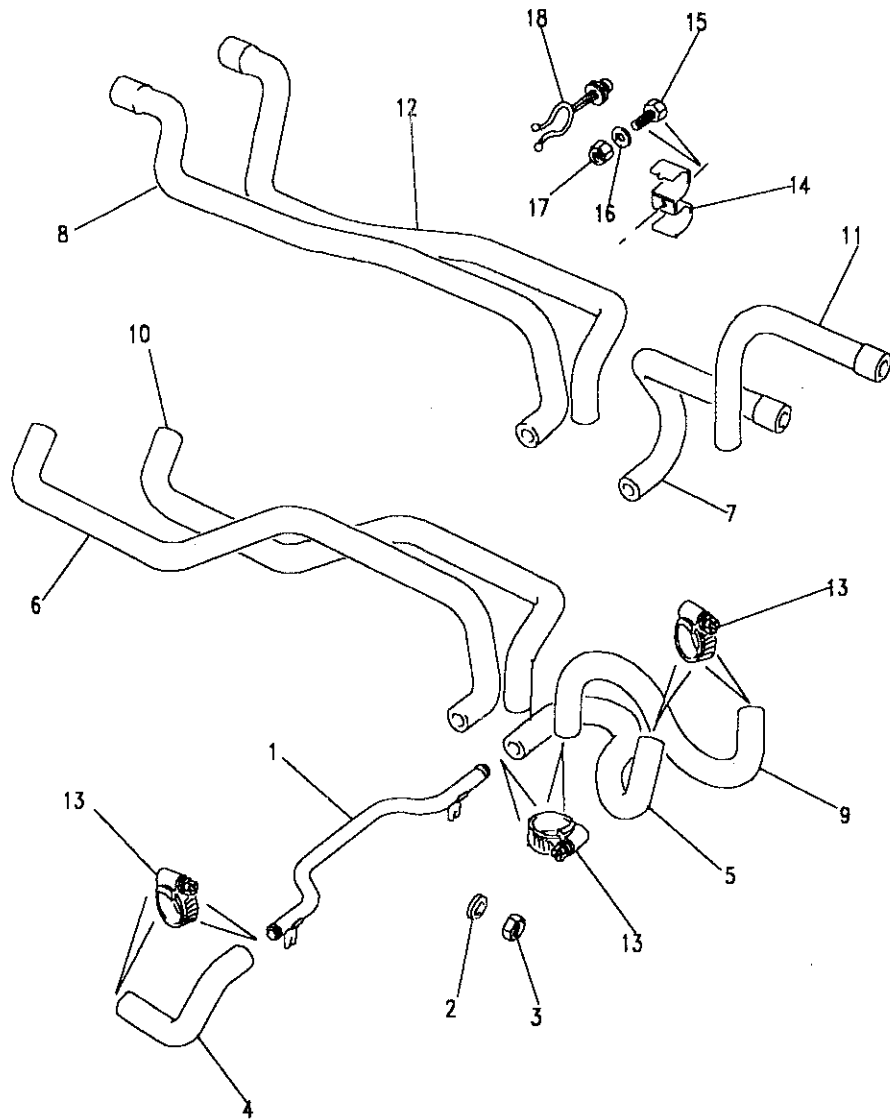
Model DEFENDER 110 1987 onwards  
Page AFLXIA3A

HEATING SYSTEM - HEATER PIPES - 200TDI



III. Part No.	Description	Qty	Remarks
<b>Heater return</b>			
1 ERR371	Pipe heater	1	
2 WA110065	Washer plain	2	
3 NT110041L	Nut	2	
<b>Heater return</b>			
4 ERR1436	Hose heater	1	
5 BTR445	Hose heater	1	RHS
6 BTR982	Hose heater	1	Upto VIN HA900808
7 BTR1130	Hose heater	1	LHS
8 BTR1131	Hose heater	1	Upto VIN HA900795
			RHS
			From VIN HA900809
			LHS
			From VIN HA900796





Model DEFENDER 110 1987 onwards  
 Page AFLXIA3A

HEATING SYSTEM - HEATER PIPES - 200TDI

III. Part No.	Description	Qty	Remarks
9 BTR447	Hose heater	1	RHS Upto VIN HA900808
10 BTR983	Hose heater	1	LHS Upto VIN HA900795
11 BTR1132	Hose heater	1	RHS From VIN HA900809
12 BTR1133	Hose heater	1	LHS From VIN HA900796
13 CN100258L	Clip hose	6	
14 BTR988	Clamp hose	1	
15 SH105121L	Screw	1	
16 WA105001L	Washer plain	1	
17 NY105041L	Nut nyloc	1	
18 NRC8332	Clip cable	1	





DEFENDER 110 1987 onwards

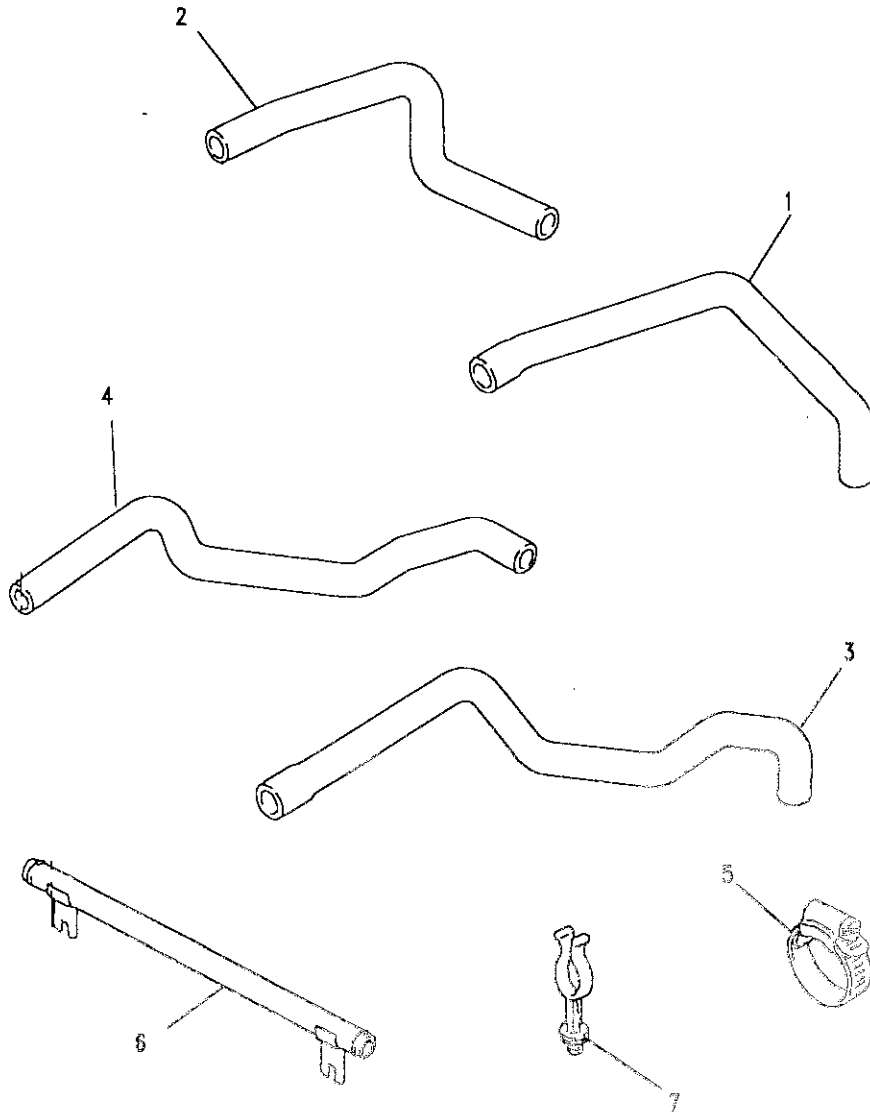
635

COOLING/HEATING

Model DEFENDER 110 1987 onwards  
Page AFLXIA3B

HEATING SYSTEM - HEATER PIPES - 300TDI

III. Part No.	Description	Qty	Remarks
<b>RHS</b>			
1 BTR6165	Hose heater inlet	1	
2 BTR6164	Hose heater return	1	
<b>LHS</b>			
3 BTR8396	Hose heater inlet	1	
4 BTR8395	Hose heater return	1	
<b>All variants</b>			
5 CN100258L	Clip hose	4	
6 ERR4531	Pipe assembly return	1	
7 NRC8332	Cable clip	1	





**Model** DEFENDER 110 1987 onwards  
**Page** AFLXKA1A

**AIR CONDITIONING - CONDENSER - RHS/LHS**

**III. Part No. Description Qty Remarks**

**TDI CFC free**

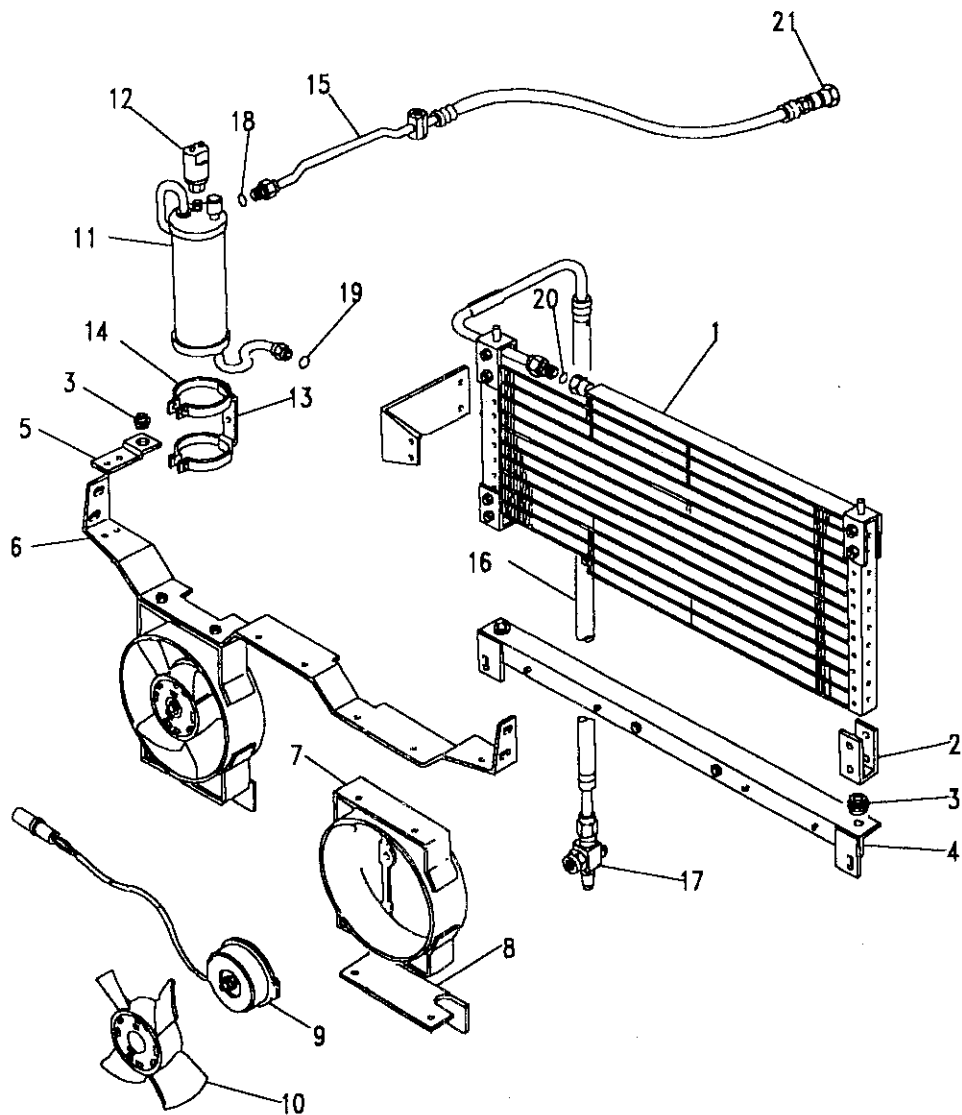
1 AWR2335 Condenser

**Petrol & None Turbo diesel CFC free**

AWR1178 Condenser 1

**Petrol & None Turbo diesel**

1	RTC7416	Condenser	1	
2	RTC7417	Bracket support	4	
3	RTC7418	Grommet	4	
4	RTC7419	Bracket mounting	1	Lower
5	RTC7420	Bracket pilot	2	
6	RTC7421	Bracket mounting	1	Upper
7	RTC7422	Shroud fan	2	
8	RTC7423	Bracket support	2	
9	RTC7424	Motor fan	2	
10	RTC7425	Fan blade	2	
11	RTC7426	Receiver drier	1	
12	AEU3068	Switch high pressure	1	
13	RTC7427	Bracket support	1	
14	RTC7428	Clamp	2	
15	RTC7429	Hose assembly	1	
16	RTC7430	Hose discharge	1	
17	AEU3067	Valve discharge	1	
18	AEU3056	O ring	1	
19	AEU1626	O ring	2	0.3125 dia
20	AEU1627	O ring	2	0.4060 dia
21	MTC8500	Coupling	1	



**Model** DEFENDER 110 1987 onwards  
**Page** AFLXMA1A

**AIR CONDITIONING - EVAPORATOR ASSEMBLY - RHS**

**III. Part No. Description Qty Remarks**

**Petrol & Non Turbo Diesel RHS (CFC free)**

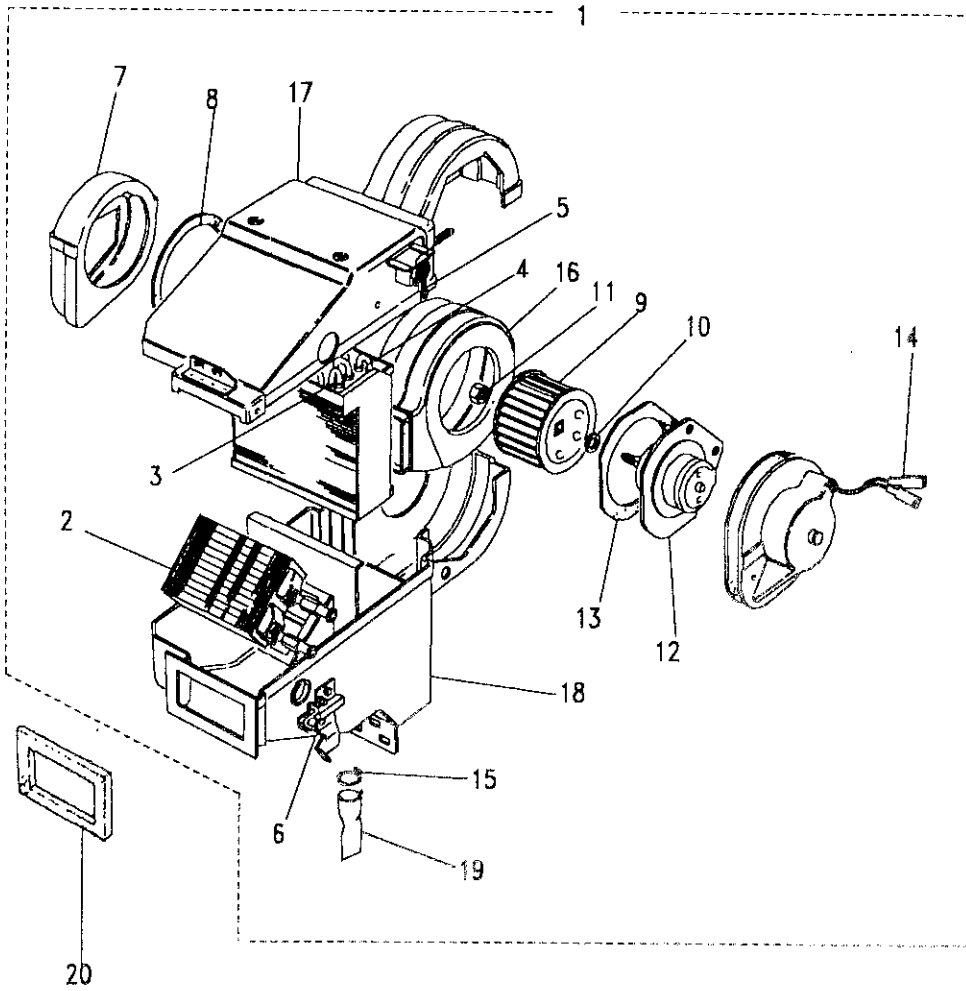
1 AWR1168 Evaporator 1

**TDI RHS (CFC free) 134a gas**

AWR1249 Evaporator 1

**All variants CFC R12gas**

1	MUC1663	Evaporator assembly	1
2	MUC6050	Core heater	1
3	MUC6037	Valve expansion	1
4	MUC6038	Tube extension	1
5	MUC6042	Thermostat	1
6	MUC4375	Switch vacuum	1
7	MUC1682	Adaptor	1
8	MUC6040	Seal	1
9	MUC6053	Wheel blower motor	1
10	MUC6054	Spacer	1
11	MUC6055	Lock nut	1
12	MUC1675	Motor blower	1
13	MUC6052	Seal	1
14	MUC6056	Harness blower	1
15	RTC7470	Clamp	1
16	STC760	Housing blower motor	1
17	STC761	Cover top evaporator	1
18	STC762	Cover rotor evaporator	1
19	STC948	Evaporator tube	1
20	MUC4860	Seal	1





## MASTER INDEX

	PAGES
INTRODUCTION PAGES	1 - 7
ALPHABETICAL INDEX	8 - 16
ENGINE	17 - 66
ENGINE	67 - 119
ENGINE	120 - 166
ENGINE	167 - 209
ENGINE	210 - 245
ENGINE	246 - 299
GEARBOX	300 - 326
GEARBOX	327 - 344
GEARBOX	345 - 359
TRANSFER BOX	360 - 378
TRANSFER BOX	379 - 397
AXLES AND SUSPENSION	398 - 444
STEERING	445 - 471
VEHICLE AND ENGINE CONTROLS	472 - 486
BRAKES	487 - 517
FUEL SYSTEM AND AIR CLEANER	518 - 579
EXHAUST SYSTEM	580 - 593
COOLING/HEATING	594 - 637
COOLING/HEATING	638 - 641
COOLING/HEATING	642 - 649
COOLING/HEATING	650 - 655
COOLING/HEATING	656 - 666
BODY ELECTRICAL	667 - 740
BODY AND CHASSIS	741 - 909
INTERIOR TRIM	910 - 955
SEATS	956 - 1036
STOWAGE	1037 - 1046
ACCESSORIES - PAINTS	1047 - 1074
NUMERICAL INDEX	1076 - 1151

## GROUP L

## COOLING/HEATING

## COOLING/HEATING

## HEATER/COOLER ASSEMBLY - LHS

640 - 646





DEFENDER 110 1987 onwards

639

COOLING/HEATING

GROUP L

COOLING/HEATING

COOLING/HEATING

HEATER PIPES - 4 CYLINDER - LHS

652

HEATER PIPES - TDI - LHS

653

HEATER PIPES - V8 - RHS

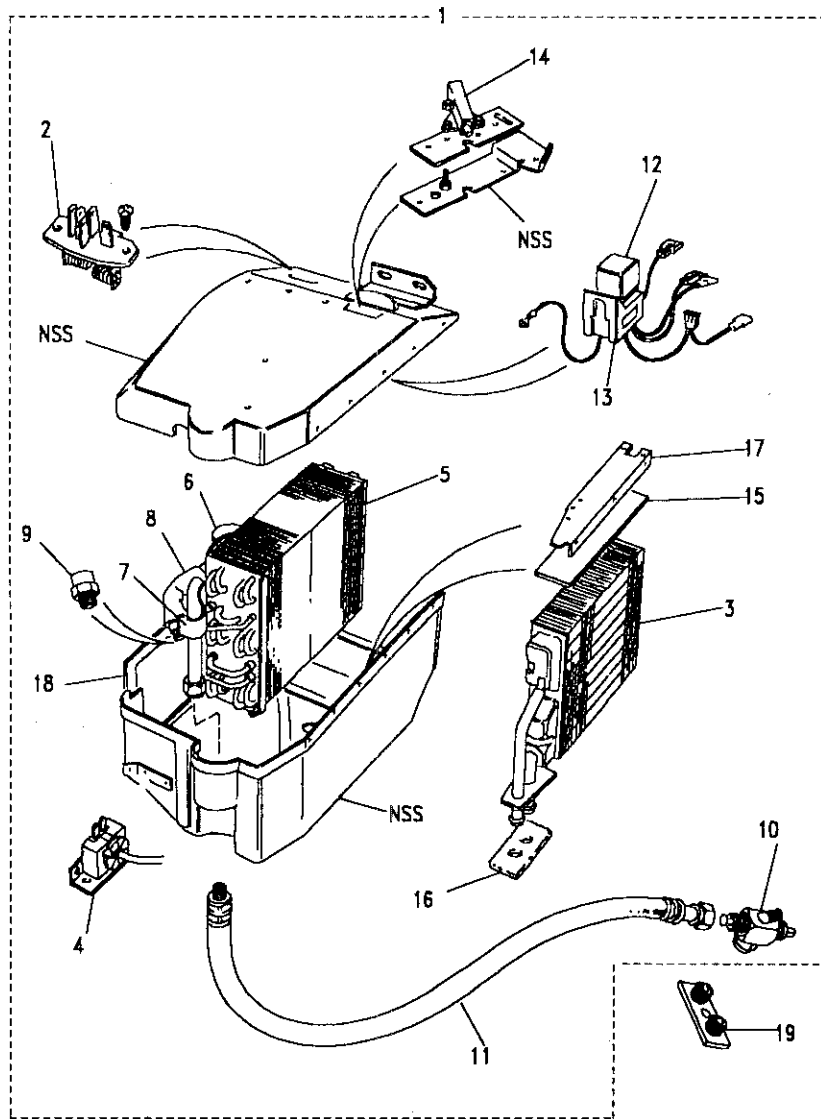
654

HEATER PIPES - V8 - LHS

655





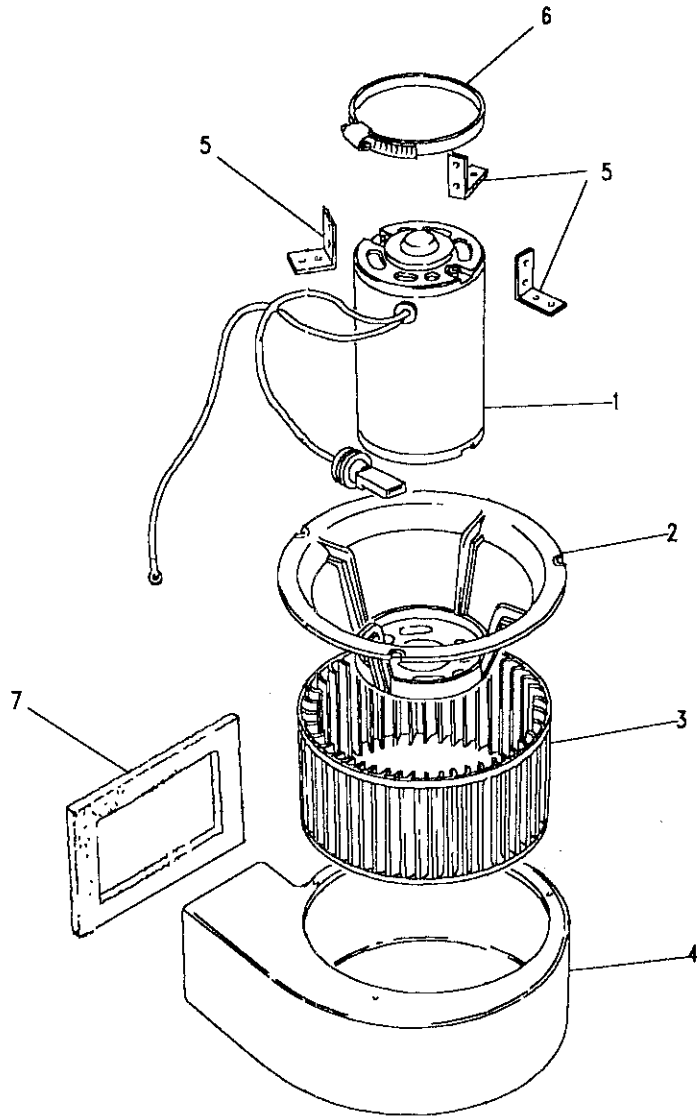


Model DEFENDER 110 1987 onwards

Page ADLXMA2A

**AIR CONDITIONING - HEATER/COOLER ASSEMBLY - LHS**

III. Part No.	Description	Qty	Remarks
1	RTC7588 Heater/Cooler Assembly	1	
2	RTC7456 Resistor	1	
3	RTC7433 Core heater	1	
4	RTC7434 Thermostat	1	
5	RTC7436 Evaporator	1	
	AWR1177 Evaporator(cfc free)	1	
	AWR1242 Evaporator(cfc free)	1	TDI
6	AEU1213 Valve expansion	1	
7	AEU1214 Clamp	1	
8	RTC7458 Pipe assembly	1	
9	RTC7457 Coupling	1	
10	AEU3055 Valve service	1	
11	RTC7439 Hose assembly	1	
12	RTC7454 Relay	1	
13	RTC7455 Harness blower	1	
14	RTC7414 Switch vacuum	1	
15	RTC7471 Seal	2	
16	RTC7472 Seal	1	
17	RTC7473 Cover	1	
18	RTC7453 Seal-to duct	1	
19	MUC4358 Adaptor R4 comp/rotolock	1	
	RTC7452 Ring rotolock	2	
	MUC1661 Seal-to dash	1	



**Model** DEFENDER 110 1987 onwards  
**Page** ADLXMA3A

**AIR CONDITIONING - HEATER/COOLER ASSEMBLY - LHS**

Ill. Part No.	Description	Qty	Remarks
1	RTC7440	1	Motor blower
2	RTC7468	1	Mounting motor
3	RTC7441	1	Wheel blower motor
4	RTC7442	1	Housing blower motor
5	RTC7469	3	Bracket support
6	RTC7470	1	Clamp
7	RTC7446	1	Seal-bulkhead
	RTC7474	1	Seal-firewall
2	MUC6050	1	Core heater
3	MUC6037	1	Valve expansion
4	MUC6038	1	Tube extension
5	MUC6042	1	Thermostat
6	MUC4375	1	Switch vacuum
7	MUC1682	1	Adaptor
8	MUC6040	1	Seal
9	MUC6053	1	Wheel blower motor
10	MUC6054	1	Spacer
11	MUC6055	1	Lock nut
12	MUC1675	1	Motor blower
13	MUC6052	1	Seal
14	MUC6056	1	Harness blower
15	RTC7470	1	Clamp
16	STC760	1	Housing blower motor
17	STC761	1	Cover top evaporator
18	STC762	1	Cover rotor evaporator
19	STC948	1	Evaporator tube
20	MUC4860	1	Seal



## MASTER INDEX

	PAGES
INTRODUCTION PAGES	1 - 7
ALPHABETICAL INDEX	8 - 16
ENGINE	17 - 66
ENGINE	67 - 119
ENGINE	120 - 166
ENGINE	167 - 209
ENGINE	210 - 245
ENGINE	246 - 299
GEARBOX	300 - 326
GEARBOX	327 - 344
GEARBOX	345 - 359
TRANSFER BOX	360 - 378
TRANSFER BOX	379 - 397
AXLES AND SUSPENSION	398 - 444
STEERING	445 - 471
VEHICLE AND ENGINE CONTROLS	472 - 486
BRAKES	487 - 517
FUEL SYSTEM AND AIR CLEANER	518 - 579
EXHAUST SYSTEM	580 - 593
COOLING/HEATING	594 - 637
COOLING/HEATING	638 - 641
COOLING/HEATING	642 - 649
COOLING/HEATING	650 - 655
COOLING/HEATING	656 - 666
BODY ELECTRICAL	667 - 740
BODY AND CHASSIS	741 - 909
INTERIOR TRIM	910 - 955
SEATS	956 - 1036
STOWAGE	1037 - 1046
ACCESSORIES - PAINTS	1047 - 1074
NUMERICAL INDEX	1076 - 1151

## GROUP L

## COOLING/HEATING

COOLING/HEATING	
RADIATOR	596 - 598
RADIATOR, INTERCOOLER & OIL COOLER - 300TDI	599 - 602
FAN COWL	603 - 604
RADIATOR HOSES	605 - 606
RADIATOR & INTERCOOLER HOSES - 200TDI	607
RADIATOR HOSES - V8	608 - 609
OIL COOLER AND MOUNTING FRAME	610 - 611
COOLER AND FRAME - V8 LT77 GEARBOX	612
PIPES - NOTE(1)	613
PIPES	614
PIPES - V8 - UPTO VIN FA429127	615 - 616
PIPES - V8 - FROM VIN FA429128	617
PIPES - V8 LT77 GEARBOX	618
EXPANSION TANK	619 - 622
HEATER	623 - 625
HEATER COMPONENTS	626
HEATER CONTROLS	627 - 628
DEMISTERS AND OUTLET FLAPS	629
HEATER PIPES - 4 CYL PETROL 630 DIESEL	630
HEATER PIPES - 4 CYL PETROL 631 DIESEL	631
HEATER PIPES - V8	632
HEATER PIPES - 200TDI	633 - 634
HEATER PIPES - 300TDI	635
CONDENSER - RHS/LHS	636
EVAPORATOR ASSEMBLY - RHS	637





DEFENDER 110 1987 onwards

643

COOLING/HEATING

GROUP L

COOLING/HEATING

GROUP L

COOLING/HEATING

COOLING/HEATING

FLUID SYSTEM - RHS

VACUUM PIPES & RESERVOIR - RHS/LHS

HEATER PIPES - 4 CYLINDER - RHS

647

648

649

COOLING/HEATING

FRESH AIR DUCT - RHS

PLENUM 659 DEFROSTERS - RHS

FACIA PANEL ASSEMBLY - RHS

FRESH AIR DUCT - LHS

AIR DUCT INSULATION - LHS

HEATER CONTROLS - LHS

PLENUM CHAMBER - LHS

FACIA PANEL - LHS

DEMISTER AND FLAPS

658

659

660

661

662

663

664

665

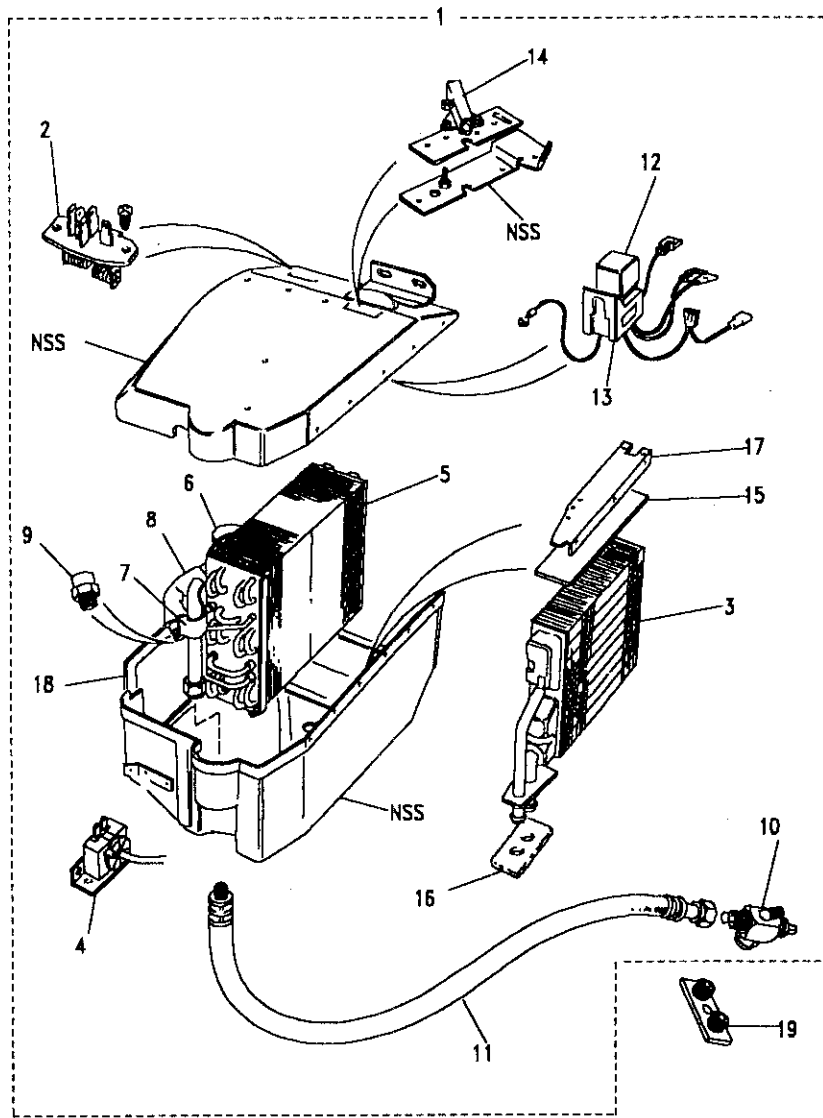
666

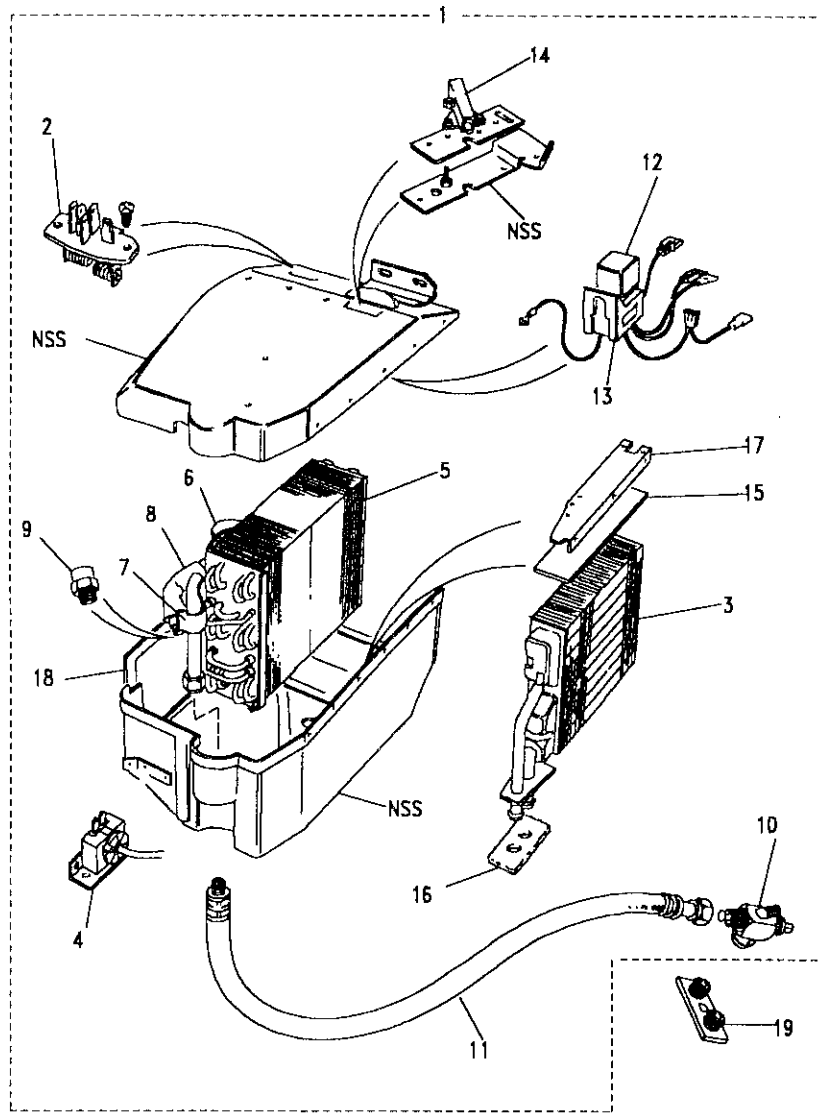


Model DEFENDER 110 1987 onwards  
 Page AFLXMA2A

**AIR CONDITIONING - HEATER/COOLER ASSEMBLY - LHS**

III. Part No.	Description	Qty	Remarks
1	RTC7588	1	Heater/Cooler Assembly
2	RTC7456	1	Resistor
3	RTC7433	1	Core heater
4	RTC7434	1	Thermostat
5	RTC7436	1	Evaporator
6	AEU1213	1	Valve expansion
7	AEU1214	1	Clamp
8	RTC7458	1	Pipe assembly
9	RTC7457	1	Coupling
10	AEU3055	1	Valve service
11	RTC7439	1	Hose assembly
12	RTC7454	1	Relay
13	RTC7455	1	Harness blower





**Model** DEFENDER 110 1987 onwards  
**Page** AFLXMA2A

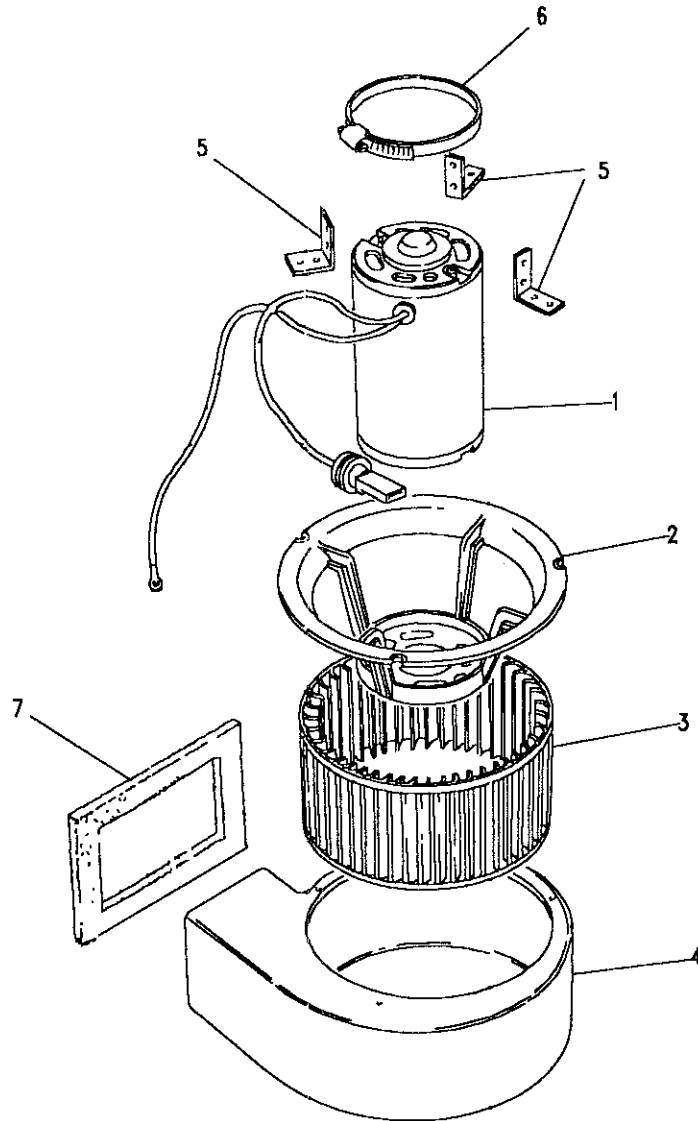
**AIR CONDITIONING - HEATER/COOLER ASSEMBLY - LHS**

III. Part No.	Description	Qty	Remarks
14 RTC7414	Switch vacuum	1	
15 RTC7471	Seal	2	
16 RTC7472	Seal	1	
17 RTC7473	Cover	1	
<b>Evaporator to duct</b>			
18 RTC7453	Seal	1	
19 MUC4358	Adaptor	1	-R4 comp/rotolock
RTC7452	Ring rotolock	2	
<b>Evaporator to dash</b>			
MUC1661	Seal	1	
AWR1173	Seal kit	1	



Model DEFENDER 110 1987 onwards  
Page AFLXMA3A

AIR CONDITIONING - HEATER/COOLER ASSEMBLY - LHS

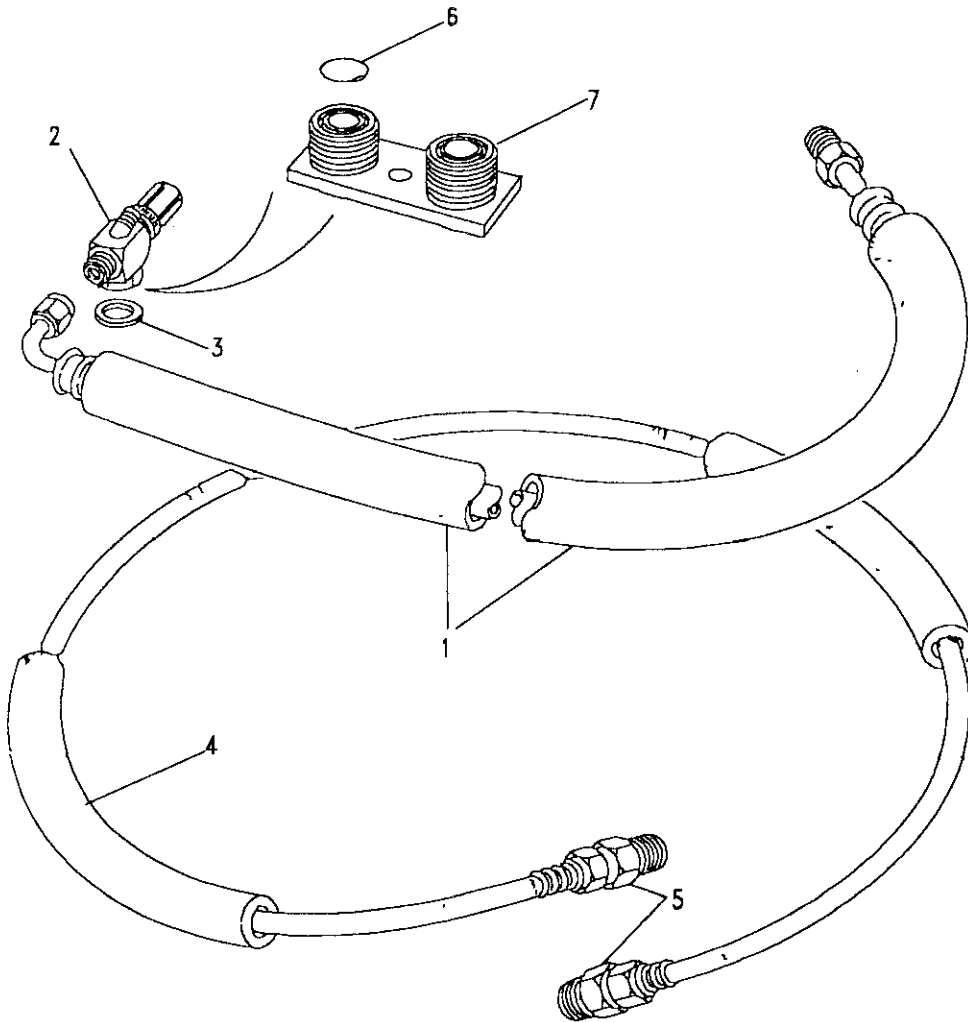


III. Part No.	Description	Qty	Remarks
1	RTC7440	1	Motor blower
2	RTC7468	1	Mounting motor
3	RTC7441	1	Wheel blower motor
4	RTC7442	1	Housing blower motor
5	RTC7469	3	Bracket support
6	RTC7470	1	Clamp
7	RTC7446	1	Seal bulkhead
	RTC7474	1	Seal firewall



Model DEFENDER 110 1987 onwards  
 Page AFLXPA1A

AIR CONDITIONING - FLUID SYSTEM - RHS



III. Part No.	Description	Qty	Remarks
1 MUC4875	Hose suction	1	
2 AEU3055	Valve service	1	
3 MUC4874	Seal	1	
4 MUC4872	Hose liquid	1	
5 RTC7457	Fitting aeroquip	2	
6 RTC7452	Ring rotolock	2	
7 MUC4358	Adaptor	1	R4 comp/rotolock
AEU1628	O ring	2	
AEU1626	O ring	1	
AEU1627	O ring	1	
AEU3056	O ring	3	



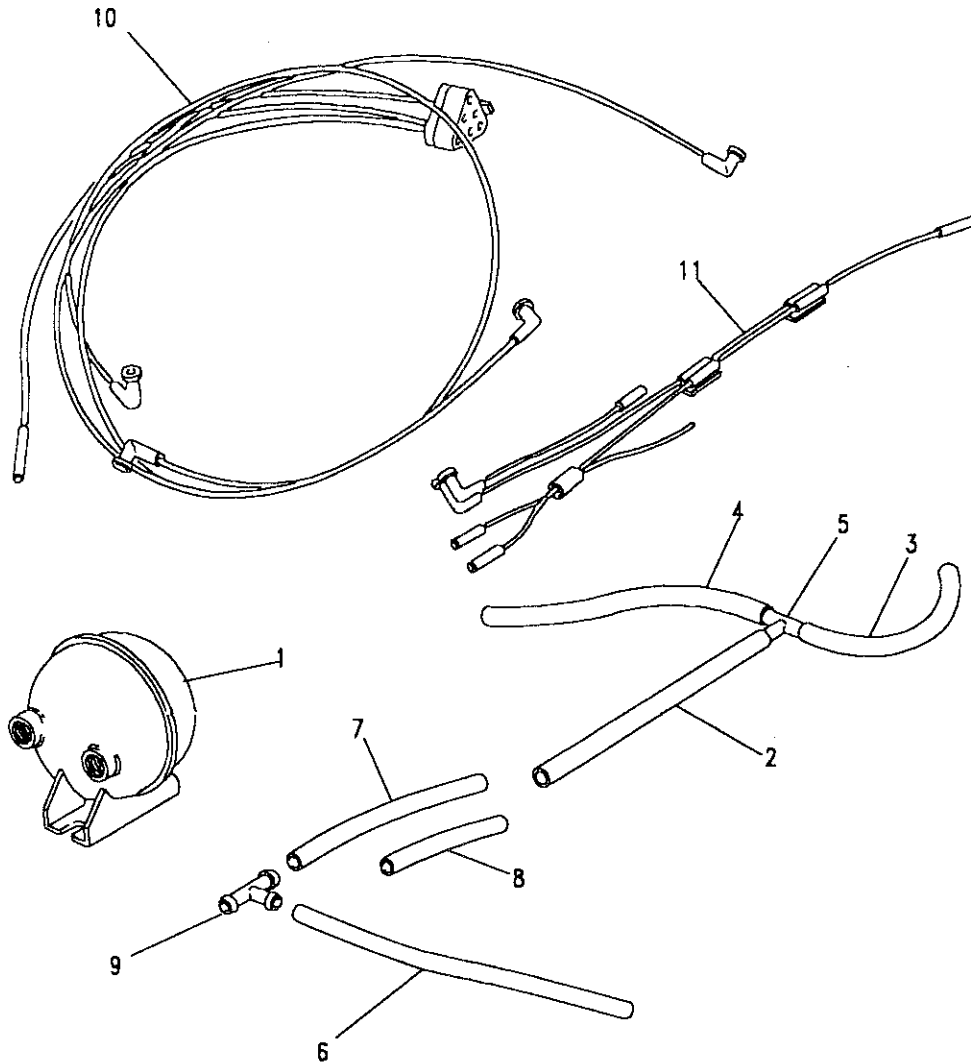


Model DEFENDER 110 1987 onwards  
Page AFLXPA2A

AIR CONDITIONING - VACUUM PIPES & RESERVOIR - RHS/LHS

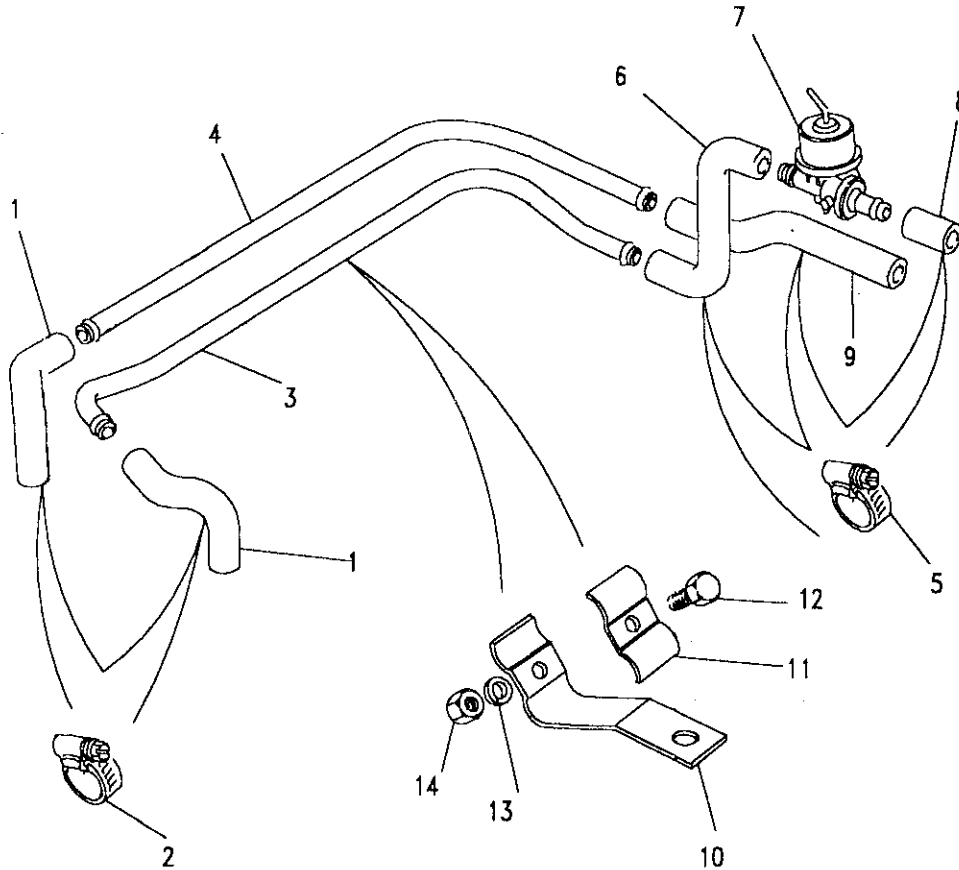
Ill. Part No.	Description	Qty	Remarks
1	MUC1679 Tank vacuum	1	
2	MUC4878 Hose vacuum	1	30" x 0.109375"
3	Hose vacuum	1	5" - Note(1)
4	Hose vacuum	1	20" - Note(1)
5	MUC4455 Tee piece	2	
6	MUC4866 Hose vacuum	1	10" x 0.21875
7	Hose vacuum	1	10" - Note(1)
8	Hose vacuum	1	1" - Note(1)
9	MUC4865 Tee piece	1	
10	MUC1671 Harness vacuum	1	
11	MUC4871 Harness vacuum	1	
ATU1041	Clamp hose	8	

Note(1) Use MUC4878 = 30" x 0.109375"



Model DEFENDER 110 1987 onwards  
 Page AFLXPC1A

AIR CONDITIONING - HEATER PIPES - 4 CYLINDER - RHS



III. Part No.	Description	Qty	Remarks
1	NRC6306	2	Hose heater
2	CN100308L	2	Clip hose
3	NRC6307	1	Pipe heater-feed
4	NRC6420	1	Pipe heater-return
5	CN100258L	8	Clip hose
6	BTR213	1	Hose engine to valve
	BTR9400	1	Hose engine to valve
7	NRC8346	1	Valve water control
8	ERC3964	1	Hose valve to heater
	BTR9401	1	Hose valve to heater
9	BTR214	1	Hose heater-return
	BTR9402	1	Hose heater return
10	NRC6417	1	Clip retaining
	NRC6418	1	Clip retaining
11	NRC6419	1	Clamp pipe
12	SH106251L	1	Screw
13	WL106001L	1	Washer spring
14	NH106041L	1	Nut
15	ESR3301	1	Strap retaining



## MASTER INDEX

## GROUP L

	PAGES		
INTRODUCTION PAGES	1 - 7		
ALPHABETICAL INDEX	8 - 16		
ENGINE	17 - 66		
ENGINE	67 - 119	COOLING/HEATING	
ENGINE	120 - 166	HEATER/COOLER ASSEMBLY - LHS	640 - 646
ENGINE	167 - 209		
ENGINE	210 - 245		
ENGINE	246 - 299		
GEARBOX	300 - 326		
GEARBOX	327 - 344		
GEARBOX	345 - 359		
TRANSFER BOX	360 - 378		
TRANSFER BOX	379 - 397		
AXLES AND SUSPENSION	398 - 444		
STEERING	445 - 471		
VEHICLE AND ENGINE CONTROLS	472 - 486		
BRAKES	487 - 517		
FUEL SYSTEM AND AIR CLEANER	518 - 579		
EXHAUST SYSTEM	580 - 593		
COOLING/HEATING	594 - 637		
COOLING/HEATING	638 - 641		
COOLING/HEATING	642 - 649		
COOLING/HEATING	650 - 655		
COOLING/HEATING	656 - 666		
BODY ELECTRICAL	667 - 740		
BODY AND CHASSIS	741 - 909		
INTERIOR TRIM	910 - 955		
SEATS	956 - 1036		
STOWAGE	1037 - 1046		
ACCESSORIES - PAINTS	1047 - 1074		
NUMERICAL INDEX	1076 - 1151		





DEFENDER 110 1987 onwards

651

COOLING/HEATING

GROUP L

COOLING/HEATING

COOLING/HEATING

HEATER PIPES - 4 CYLINDER - LHS

652

HEATER PIPES - TDI - LHS

653

HEATER PIPES - V8 - RHS

654

HEATER PIPES - V8 - LHS

655

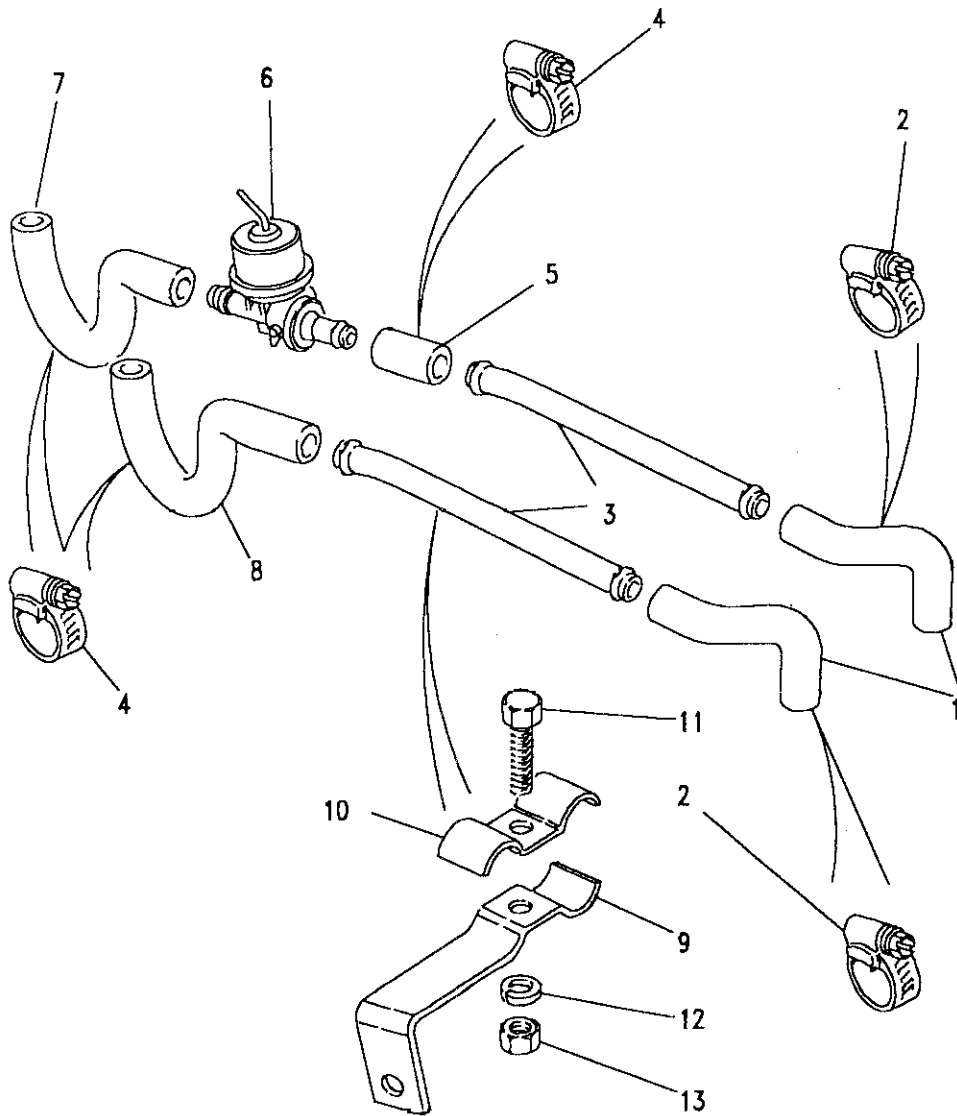




**Model** DEFENDER 110 1987 onwards  
**Page** ADLXPC2A

**AIR CONDITIONING - HEATER PIPES - 4 CYLINDER - LHS**

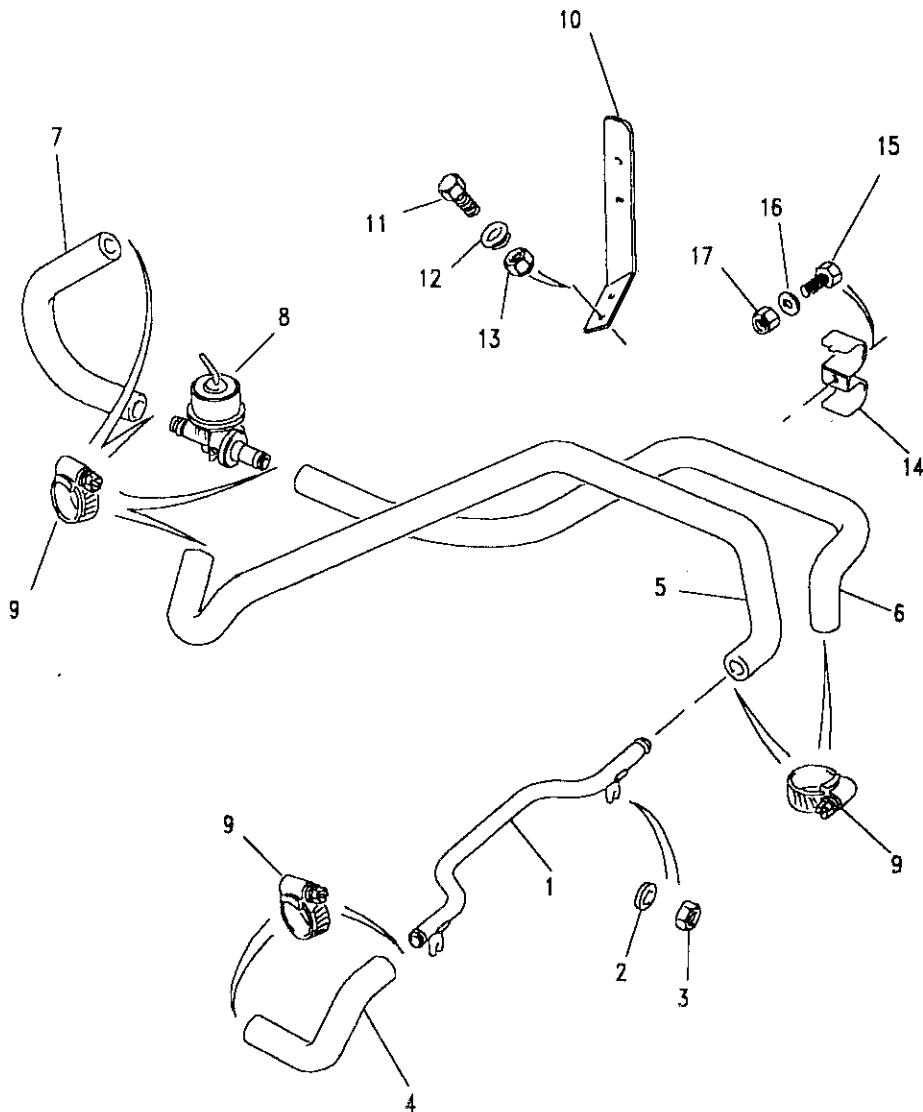
III. Part No.	Description	Qty	Remarks
1	NRC6306	2	Hose heater
2	CN100258L	4	Clip hose
3	NRC8245	2	Pipe heater
4	CN100258L	6	Clip hose
5	ERC3964	1	Hose heater-feed
6	NRC8346	1	Valve water control
7	NRC8347	1	Hose heater-feed
8	NRC8247	1	Hose heater-return
9	NRC8248	1	Bracket mounting
10	594637	1	Clamp pipe
11	FS106201L	1	Flange screw
12	WL106001L	1	Washer spring
13	NH106041L	1	Nut
14	ESR3301	1	Strap retaining

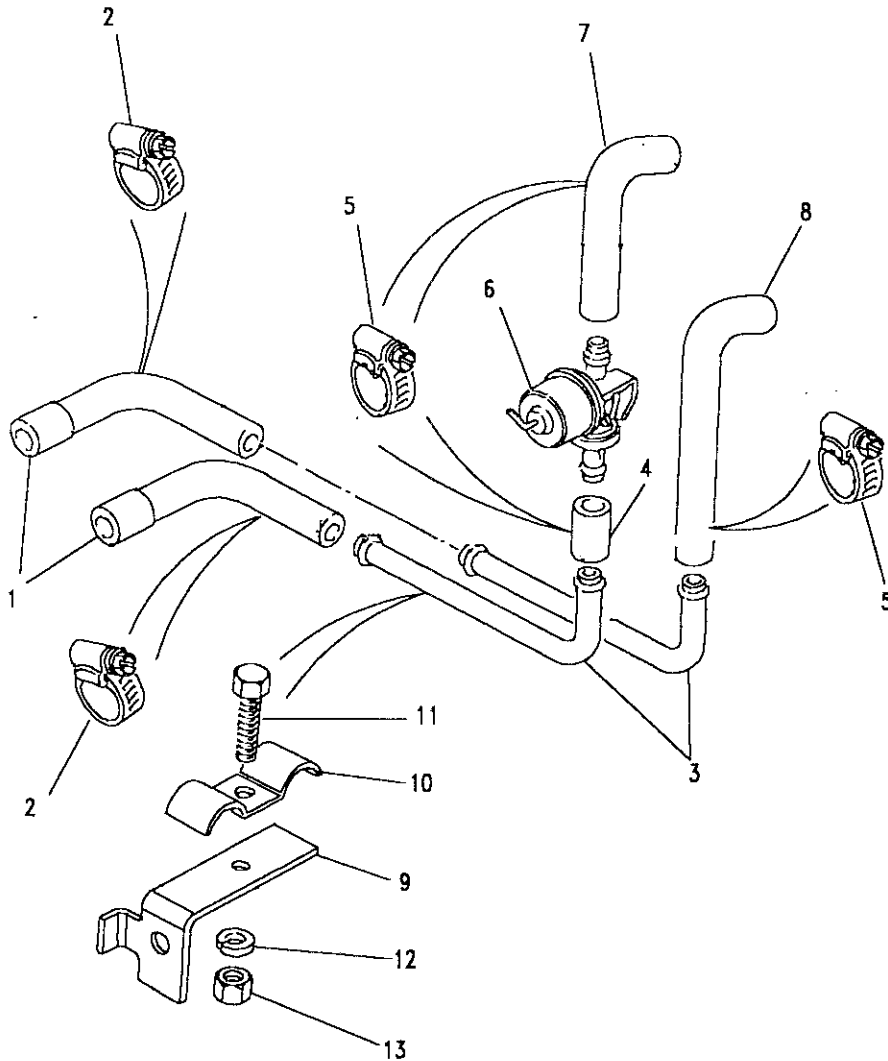


Model DEFENDER 110 1987 onwards  
 Page ADLXPC3A

AIR CONDITIONING - HEATER PIPES - TDI - LHS

III. Part No.	Description	Qty	Remarks
1	ERR371	1	
2	WA110065	2	
3	NT110041L	2	
4	ERR1436	1	
5	BTR984	1	UptoMA939975
	AWR2334	1	FromMA939976
6	BTR985	1	UptoMA939975
	AWR2333	1	FromMA939976
7	BTR986	1	UptoMA939975
	AWR2332	1	FromMA939976
8	NRC8346	1	
9	CN100258L	8	
10	BTR987	1	
11	SH105121L	2	
12	MRC9851	2	
13	NY105041L	2	
14	BTR988	2	
15	SH105121L	2	
16	WA105001L	2	
17	NY105041L	2	
18	ESR3301	1	





Model DEFENDER 110 1987 onwards  
 Page ADLXPC4A

AIR CONDITIONING - HEATER PIPES - V8 - RHS

III. Part No.	Description	Qty	Remarks
1	NRC6314 Hose heater	2	
2	CN100308L Clip hose	4	
3	NRC6902 Pipe heater	2	
4	ERC3964 Hose heater-feed	1	
5	CN100258L Clip hose	10	
6	NRC8346 Valve water control	1	
7	NTC1212 Hose heater-feed	1	
8	NRC6308 Hose heater-return	1	
9	NRC6903 Bracket support	1	
10	NRC6419 Clamp pipe	1	
11	SH106301L Screw	1	
12	WL106001L Washer spring	1	
13	NH106041L Nut	1	
14	ESR3301 Strap retaining	1	

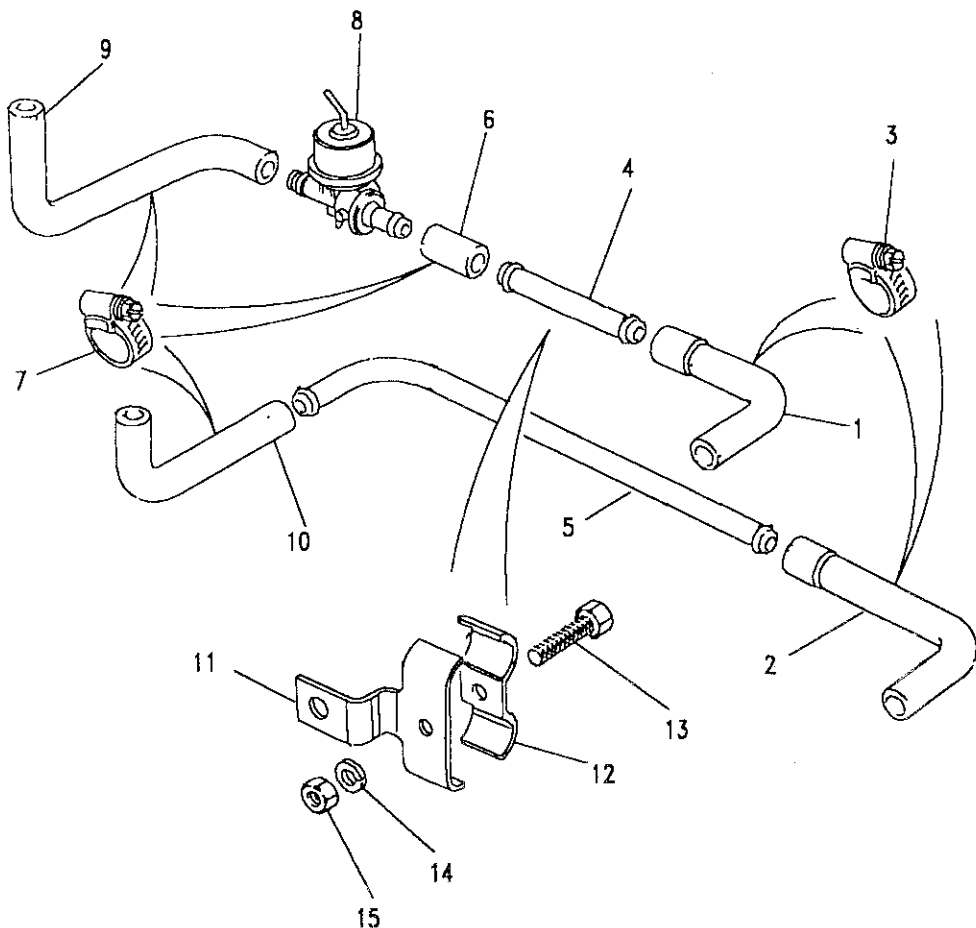


Model DEFENDER 110 1987 onwards

Page ADLXPC5A

AIR CONDITIONING - HEATER PIPES - V8 - LHS

III. Part No.	Description	Qty	Remarks
1	NRC9098	1	Hose heater-feed
2	NRC6353	1	Hose heater-return
3	CN100308L	4	Clip hose
4	NRC9091	1	Pipe heater-feed
5	NTC1090	1	Pipe heater-return
6	ERC3964	1	Hose heater-feed
7	CN100258L	7	Clip hose
8	NRC8346	1	Valve water control
9	NTC1089	1	Hose heater-feed
10	NTC1088	1	Hose heater-return
11	NRC8620	1	Bracket support
12	594637	1	Clamp pipe
13	SH106301L	1	Screw
14	WL106001L	1	Washer spring
15	NH106041L	1	Nut
16	ESR3301	1	Strap retaining







## MASTER INDEX

	PAGES
INTRODUCTION PAGES	1 - 7
ALPHABETICAL INDEX	8 - 16
ENGINE	17 - 66
ENGINE	67 - 119
ENGINE	120 - 166
ENGINE	167 - 209
ENGINE	210 - 245
ENGINE	246 - 299
GEARBOX	300 - 326
GEARBOX	327 - 344
GEARBOX	345 - 359
TRANSFER BOX	360 - 378
TRANSFER BOX	379 - 397
AXLES AND SUSPENSION	398 - 444
STEERING	445 - 471
VEHICLE AND ENGINE CONTROLS	472 - 486
BRAKES	487 - 517
FUEL SYSTEM AND AIR CLEANER	518 - 579
EXHAUST SYSTEM	580 - 593
COOLING/HEATING	594 - 637
COOLING/HEATING	638 - 641
COOLING/HEATING	642 - 649
COOLING/HEATING	650 - 655
COOLING/HEATING	656 - 666
BODY ELECTRICAL	667 - 740
BODY AND CHASSIS	741 - 909
INTERIOR TRIM	910 - 955
SEATS	956 - 1036
STOWAGE	1037 - 1046
ACCESSORIES - PAINTS	1047 - 1074
NUMERICAL INDEX	1076 - 1151

## GROUP L

## COOLING/HEATING

## COOLING/HEATING

RADIATOR	596 - 598
RADIATOR, INTERCOOLER & OIL COOLER - 300TDI	599 - 602
FAN COWL	603 - 604
RADIATOR HOSES	605 - 606
RADIATOR & INTERCOOLER HOSES - 200TDI	607
RADIATOR HOSES - V8	608 - 609
OIL COOLER AND MOUNTING FRAME	610 - 611
COOLER AND FRAME - V8 LT77 GEARBOX	612
PIPES - NOTE(1)	613
PIPES	614
PIPES - V8 - UPTO VIN FA429127	615 - 616
PIPES - V8 - FROM VIN FA429128	617
PIPES - V8 LT77 GEARBOX	618
EXPANSION TANK	619 - 622
HEATER	623 - 625
HEATER COMPONENTS	626
HEATER CONTROLS	627 - 628
DEMISTERS AND OUTLET FLAPS	629
HEATER PIPES - 4 CYL PETROL 630 DIESEL	630
HEATER PIPES - 4 CYL PETROL 631 DIESEL	631
HEATER PIPES - V8	632
HEATER PIPES - 200TDI	633 - 634
HEATER PIPES - 300TDI	635
CONDENSER - RHS/LHS	636
EVAPORATOR ASSEMBLY - RHS	637





DEFENDER 110 1987 onwards

657

COOLING/HEATING

GROUP L

COOLING/HEATING

COOLING/HEATING

FLUID SYSTEM - RHS

VACUUM PIPES & RESERVOIR - RHS/LHS

HEATER PIPES - 4 CYLINDER - RHS

647

648

649

GROUP L

COOLING/HEATING

COOLING/HEATING

FRESH AIR DUCT - RHS

PLENUM 659 DEFROSTERS - RHS

FACIA PANEL ASSEMBLY - RHS

FRESH AIR DUCT - LHS

AIR DUCT INSULATION - LHS

HEATER CONTROLS - LHS

PLENUM CHAMBER - LHS

FACIA PANEL - LHS

DEMISTER AND FLAPS

658

659

660

661

662

663

664

665

666

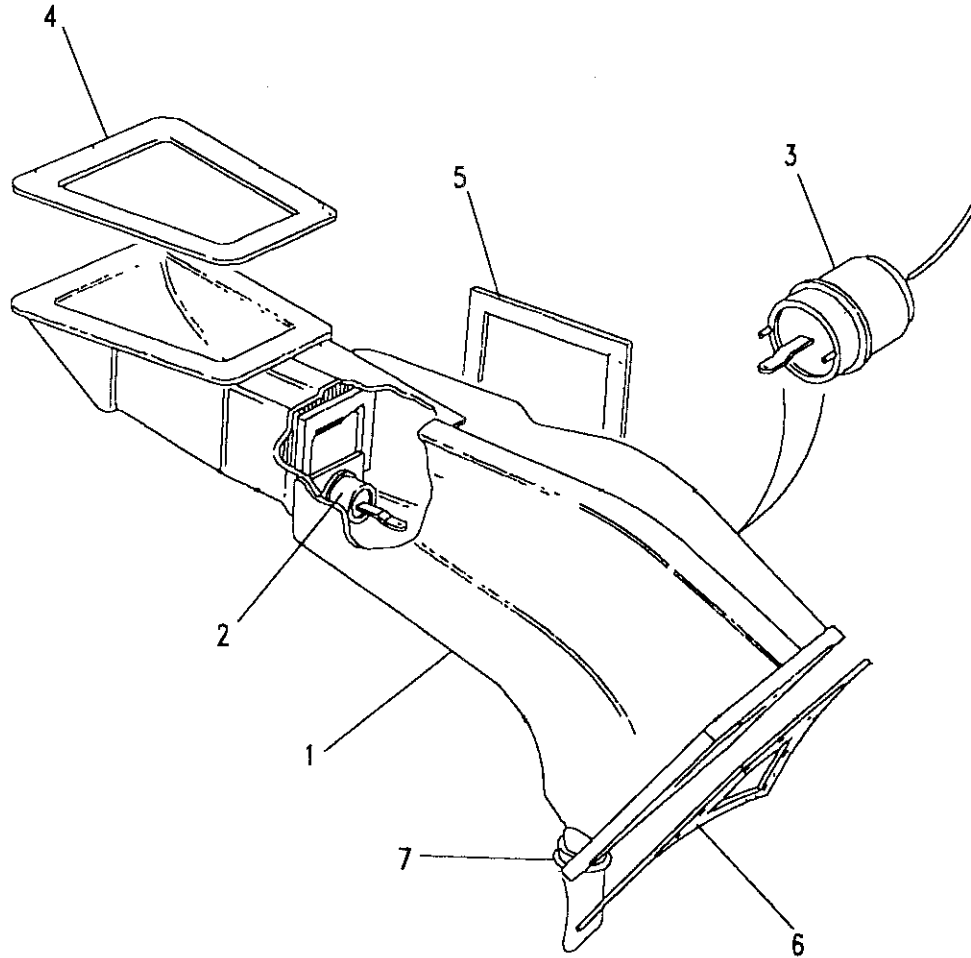




Model DEFENDER 110 1987 onwards  
Page AFLXRA1A

AIR CONDITIONING - FRESH AIR DUCT - RHS

III. Part No.	Description	Qty	Remarks
1 MUC1668	Duct air	1	
2 MUC4884	Motor vacuum	1	
3 RTC7467	Motor vacuum	1	
4 MUC4883	Seal - duct to wing top	1	
5 MUC4886	Seal - duct to evaporator	1	
6 MUC4888	Seal - air duct to dash	1	Upto EA332911
MWC4860	Seal - air duct to dash	1	From EA332912
7 RTC7470	Clamp	1	





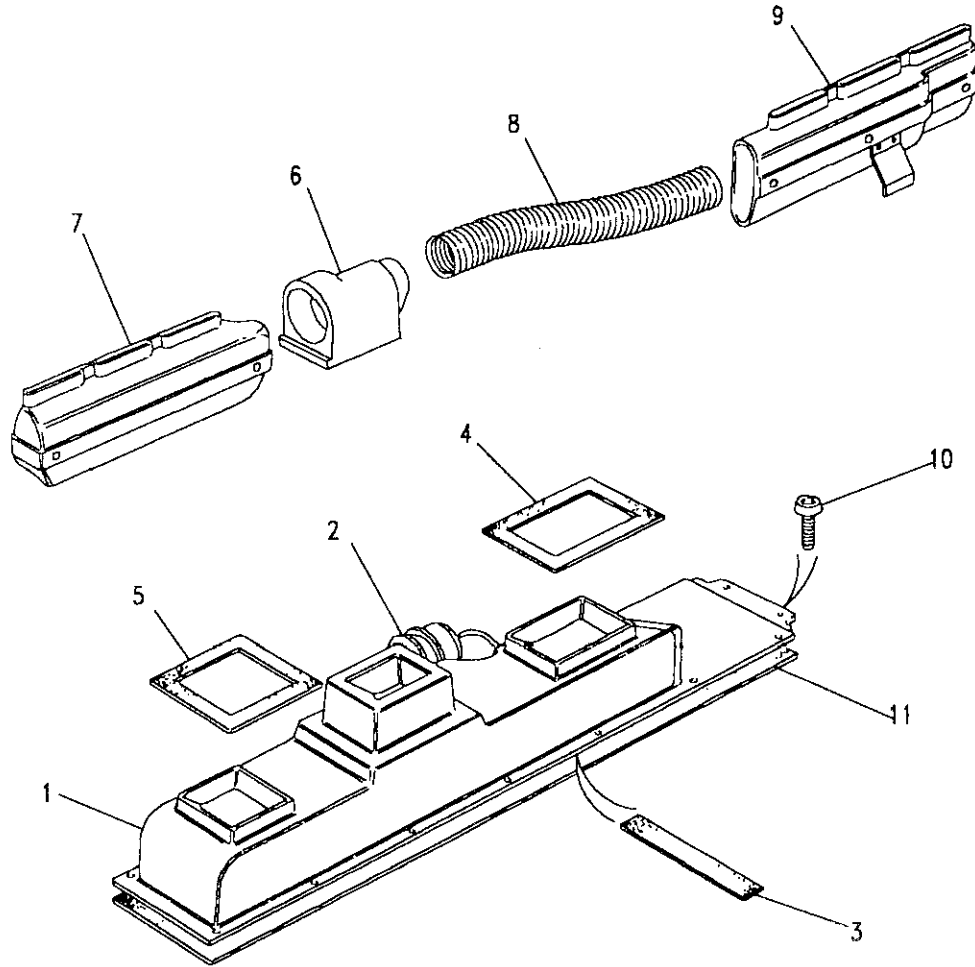
DEFENDER 110 1987 onwards

659

COOLING/HEATING

Model DEFENDER 110 1987 onwards  
Page AFLXRA2A

**AIR CONDITIONING - PLENUM & DEFROSTERS - RHS**

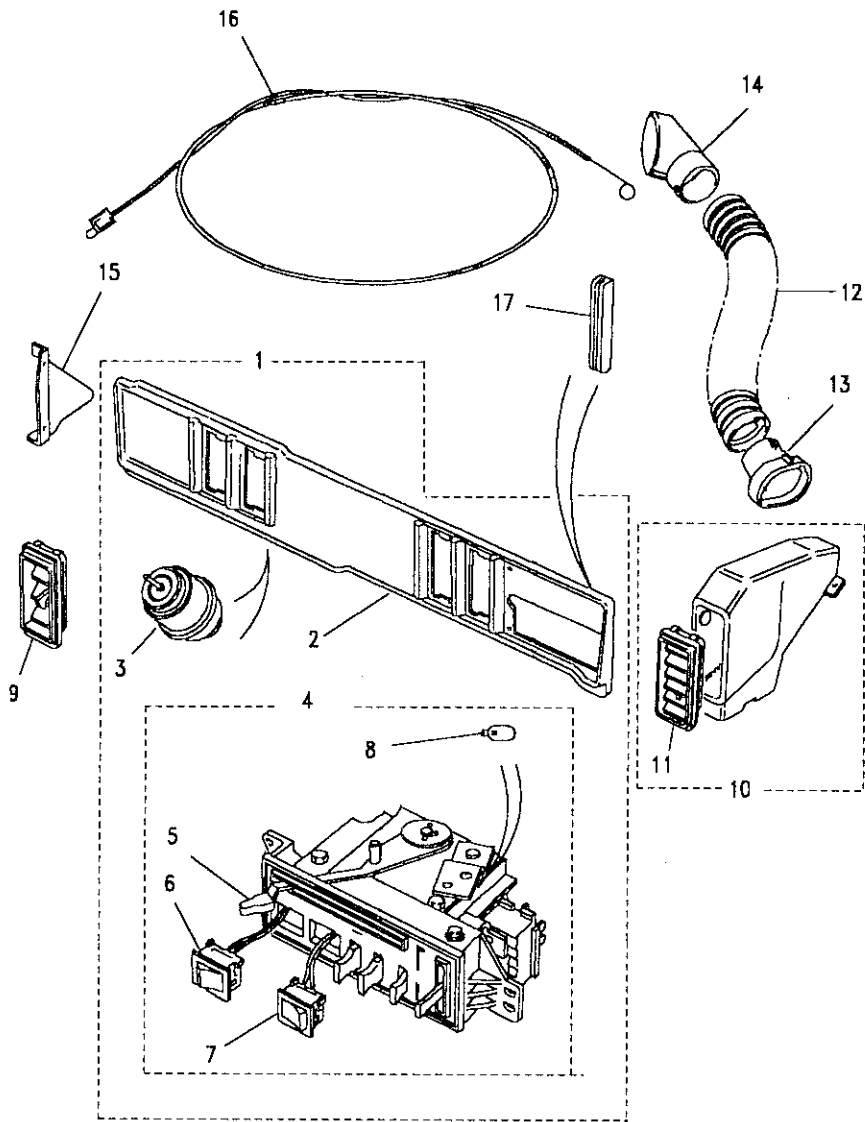


III. Part No.	Description	Qty	Remarks
1	MUC1665 Plenum chamber assembly	1	
2	AEU4002 Motor vacuum	2	
3	MUC6021 Seal	1	NLS
4	MUC4882 Seal RH	1	
5	MUC4881 Seal LH	1	
6	MUC4891 Adaptor	1	
7	MUC1673 Duct LH	1	
8	MUC4892 Hose	1	
9	MUC1674 Duct RH	1	UptoMA939975
	AWR1247 Duct RH	1	FromMA939976
10	AB606021L Screw	22	
11	MUC3695 Pad insulation	1	



Model DEFENDER 110 1987 onwards  
 Page AFLXRA3A

AIR CONDITIONING - FACIA PANEL ASSEMBLY - RHS



Ill. Part No.	Description	Qty	Remarks
1	MUC1667	1	
2	MUC6001	1	UptoMA939975
	AWR1245	1	FromMA939976
3	AEU4002	2	
4	MUC1666	1	UptoMA939975
	AWR1666	1	FromMA939976
5	MUC6011	1	
6	MUC6012	1	
7	MUC6013	1	
8	573289	1	
9	MUC4880	4	
10	MUC1669	1	
11	RTC7411	1	
12	MUC4895	1	Upto EA332911
	MXC3418	1	From EA332912
13	MXC3357	1	From EA332912
14	MXC3358	1	From EA332912
15	MUC1670	1	
16	MUC1680	1	
17	RTC7465	1	

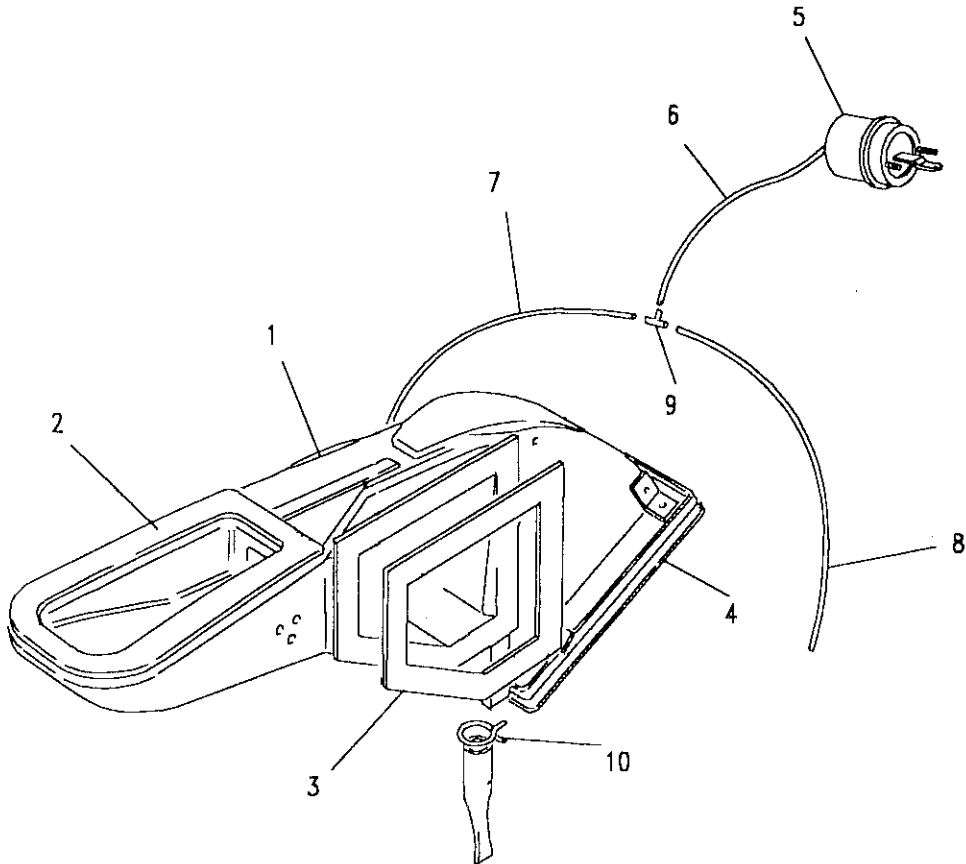


Model DEFENDER 110 1987 onwards  
Page AFLXRA4A

AIR CONDITIONING - FRESH AIR DUCT - LHS

III. Part No.	Description	Qty	Remarks
1	MTC5571 Duct air	1	
2	RTC7461 Seal - duct to wing top	1	
3	RTC7460 Seal - duct to evaporator	1	
4	RTC7459 Seal - air duct to dash	1	
5	AEU4002 Motor vacuum	1	
6	Hose vacuum	1	5" Note(1)
7	Hose vacuum	1	12" Note(1)
8	Hose vacuum	1	9" Note(1)
9	MUC4455 Tee piece	1	
10	RTC7470 Clamp	1	
	ATU1041 Clamp hose	8	

Note(1) Use MUC4878 = 30" x 0.109375"

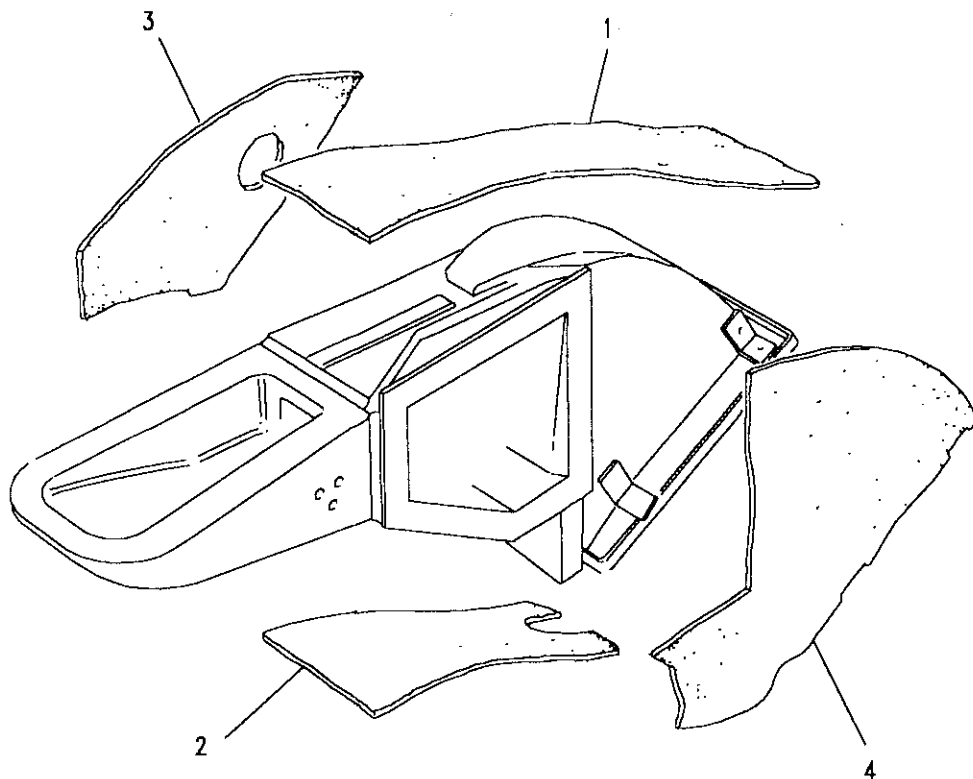




**Model** DEFENDER 110 1987 onwards  
**Page** AFLXRA5A

**AIR CONDITIONING - AIR DUCT INSULATION - LHS**

III. Part No.	Description	Qty	Remarks
1 MUC1657	Insulation top	1	
2 MUC1658	Insulation bottom	1	
3 MUC1659	Insulation outer	1	
4 MUC1660	Insulation inner	1	

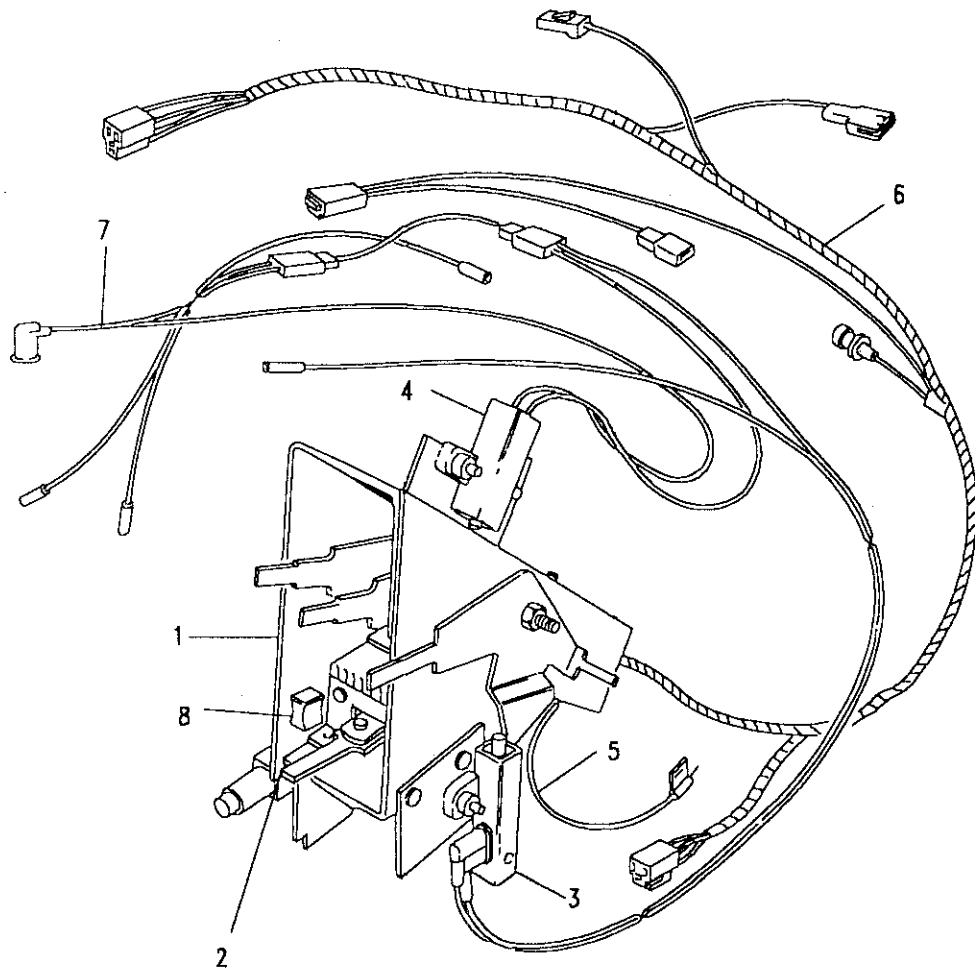


**Model** DEFENDER 110 1987 onwards

**Page** AFLXRA6A

**AIR CONDITIONING - HEATER CONTROLS - LHS**

III. Part No.	Description	Qty	Remarks
1 MTC5573	Control heater	1	UptoMA939976
AWR1179	Control heater	1	FromMA939976
2 AEU1205	Switch fan speed	1	
3 RTC7443	Switch vacuum	1	
4 RTC7451	Switch vacuum	1	
5 RTC7445	Cable control	1	Short
6 RTC7448	Harness electric	1	
7 RTC7466	Harness vacuum	1	
8 AEU1198	Knob	4	







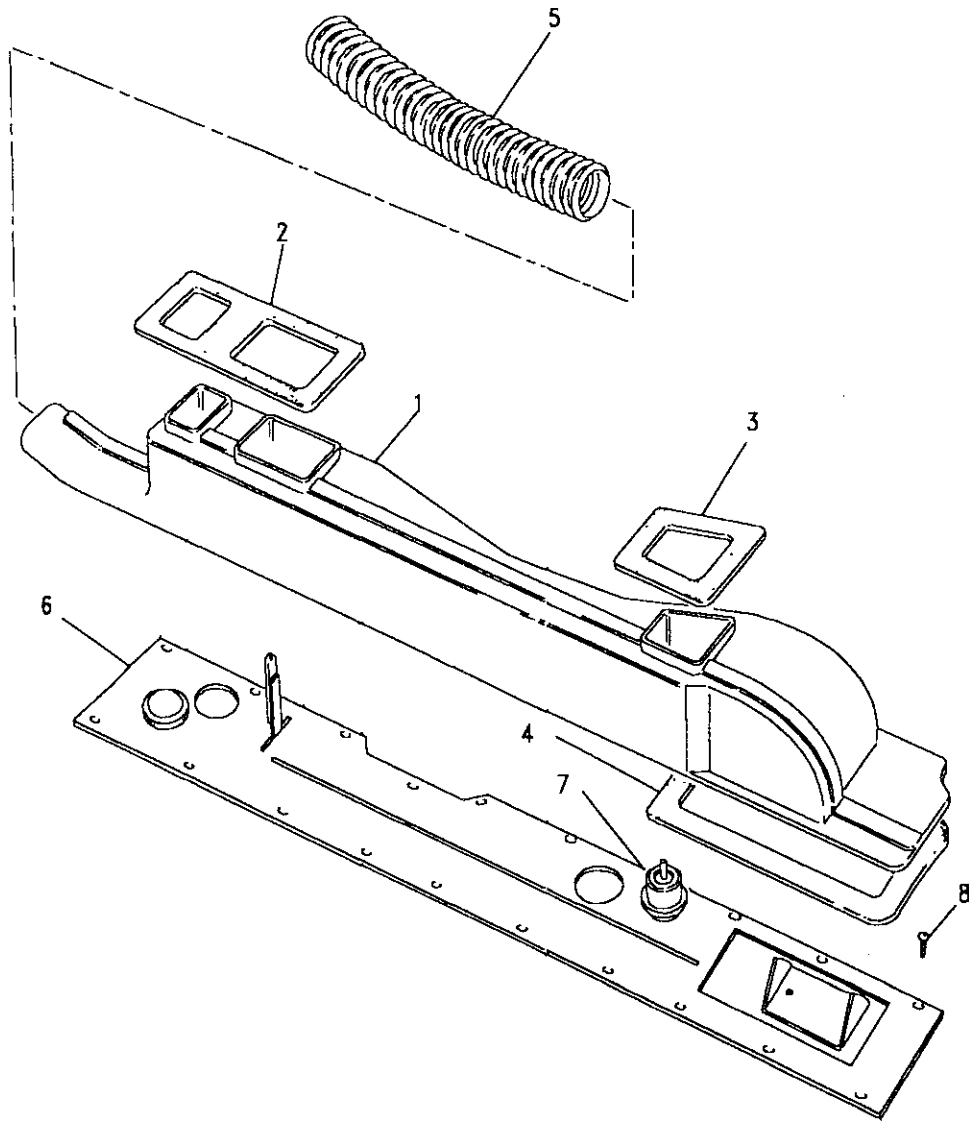
**Model** DEFENDER 110 1987 onwards

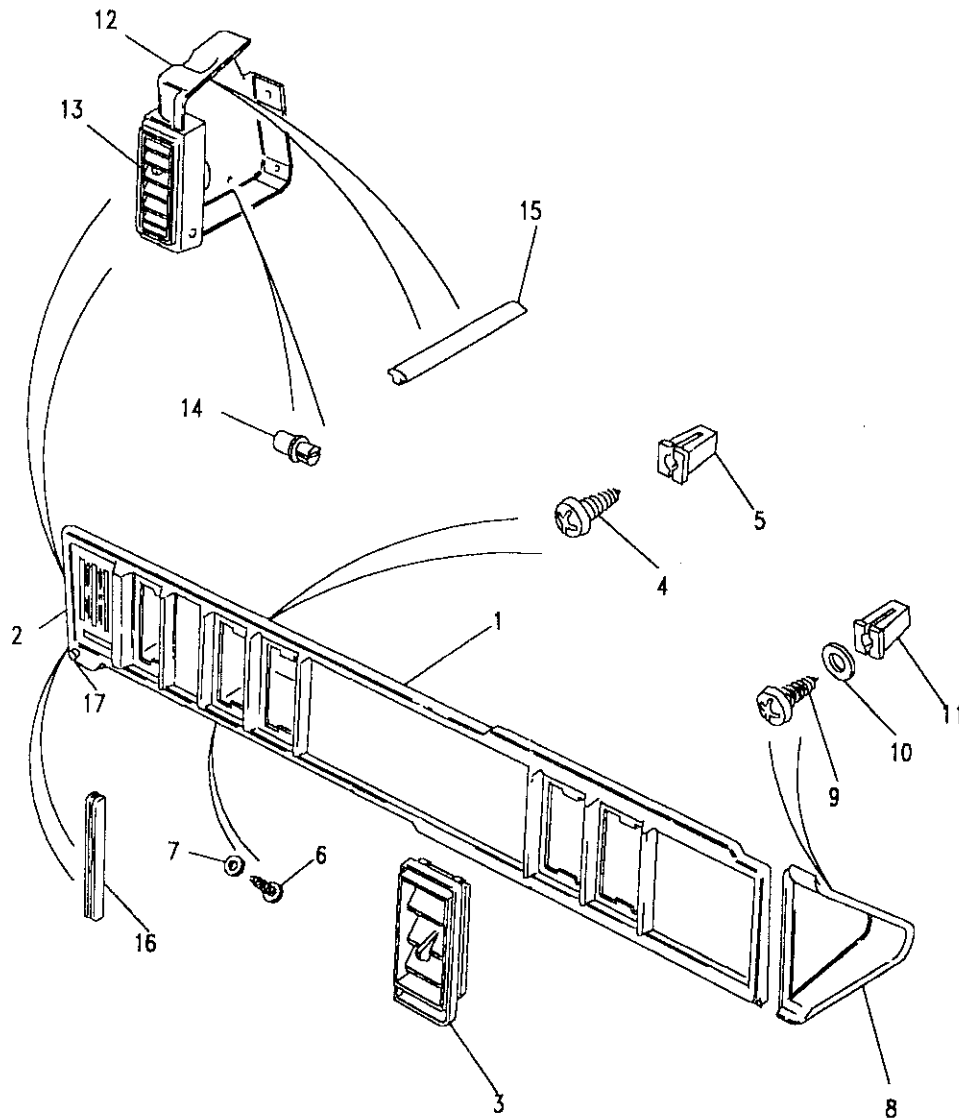
**Page** AFLXRA7A

**AIR CONDITIONING - PLENUM CHAMBER - LHS**

III. Part No.	Description	Qty	Remarks
1 RTC7408	Plenum chamber assembly	1	
AWR1174	Plenum extension	1	FromMA939976
2 RTC7462	Seal outlet	1	
3 RTC7463	Seal outlet	1	
4 RTC7464	Seal inlet	1	
5 RTC7409	Hose	1	
6 RTC7415	Panel closing	1	UptoMA939975
AWR1448	Panel closing	1	FromMA939976
7 AEU4002	Motor vacuum	1	
8 AB606021	Screw	22	

**Plenum chamber to toe box**  
367078 Spacer A/R





**Model** DEFENDER 110 1987 onwards  
**Page** AFLXRA8A

**AIR CONDITIONING - FACIA PANEL - LHS**

Ill. Part No.	Description	Qty	Remarks
1	RTC7450	1	Facia assembly
2	AEU4000	1	Plate instruction
3	AEU4001	5	Louvre
	AWR1169	5	Louvre

**Facia to front plate**

4	AC608065	2	Screw
5	ACU5431	2	Nut lokut
6	AB608051	2	Screw
7	WC105001	2	Washer plain

**Facia panel end finishers**

8	MTC5581	1	Finisher
9	AW606124	1	Screw
10	WA104004	1	Washer plain
11	ACU5431	1	Nut lokut
12	RTC7410	1	Finisher assembly
	AWR1170	1	Finisher assembly
13	RTC7411	1	Louvre
14	79086	1	Rivet rokut
15	MTC7516	1	Finisher
16	RTC7465	1	Finisher
17	RTC7412	1	Switch illuminated
	RTC7413	1	Bulb

UptoMA939975  
 FromMA939976

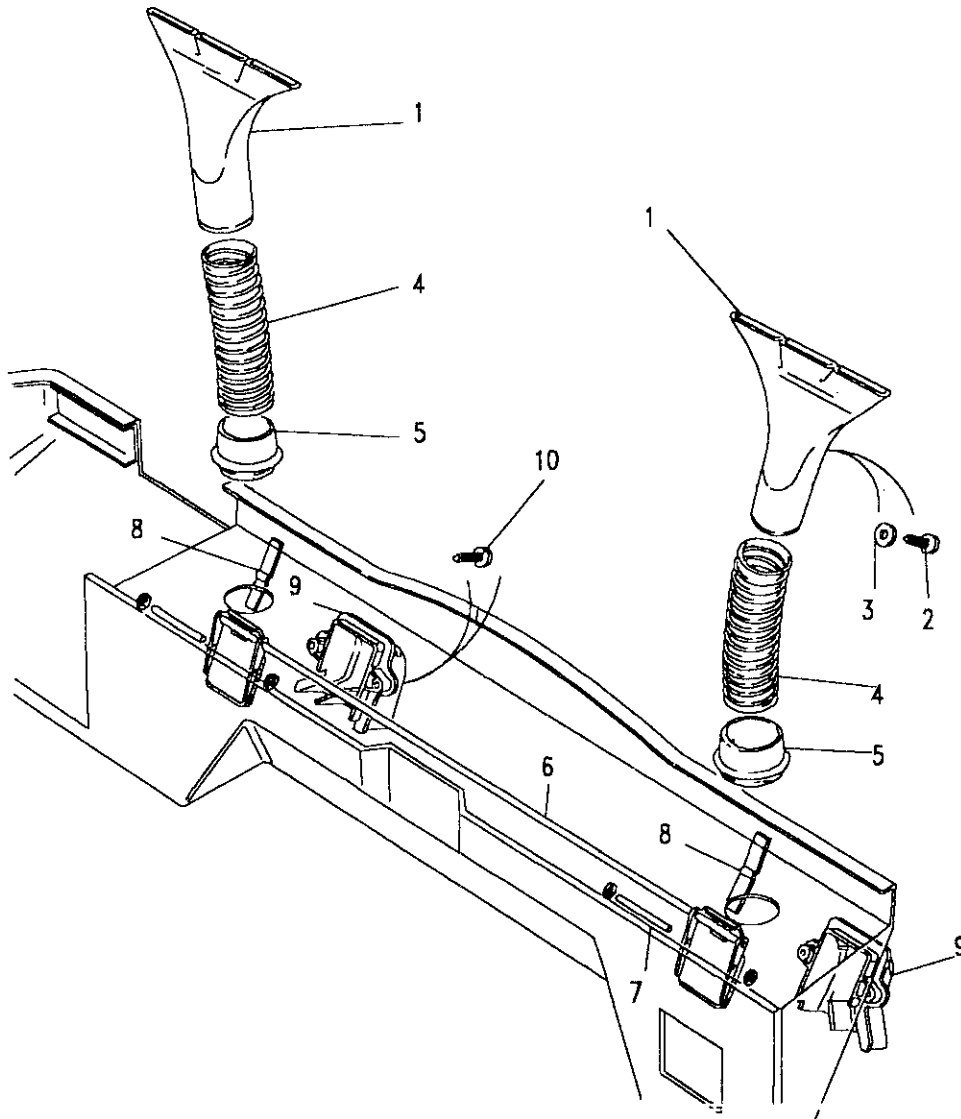
Model DEFENDER 110 1987 onwards  
 Page AFLXRA9A

**AIR CONDITIONING - DEMISTER AND FLAPS**

Ill. Part No.	Description	Qty	Remarks
1 NRC9668	Nozzle RH	1	LHS
MXC3188	Nozzle RH	1	200Tdi LHS Upto VIN JA906639
BTR1600	Nozzle RH	1	200Tdi LHS From VIN JA906640
1 NRC9669	Nozzle LH	1	LHS
MXC3189	Nozzle LH	1	200Tdi LHS Upto VIN JA906639
BTR1599	Nozzle LH	1	200Tdi LHS From VIN JA906640
2 AB608047L	Screw	2	LHS
3 WA105001	Washer plain	2	LHS

**Fixings - 200Tdi LHS**

AB608054L	Screw	4	
RTC3745	Nut lokut	1	RH nozzle
AK608021	Nut spring	1	RH nozzle
4 MRC7279	Flexible Tube	2	LHS
5 MRC7281	Grommet	2	LHS
6 MUC1139	Outlet flaps assy LHS	1	Upto HA905497 NLA use BTR1347
BTR1347	Outlet flaps assy LHS	1	From HA905498
MUC3278	Outlet flaps assy RHS	1	Upto JA908189 NLA use BTR1348
BTR1348	Outlet flaps assy RHS	1	From JA908190
7 MTC5578	Actuating bar	1	
8 346796	Spring	2	
9 395829	Grille outlet RH	1	
395830	Grille outlet LH	1	
10 MRC1525	Screw	4	





## MASTER INDEX

	PAGES
INTRODUCTION PAGES	1 - 7
ALPHABETICAL INDEX	8 - 16
ENGINE	17 - 66
ENGINE	67 - 119
ENGINE	120 - 166
ENGINE	167 - 209
ENGINE	210 - 245
ENGINE	246 - 299
GEARBOX	300 - 326
GEARBOX	327 - 344
GEARBOX	345 - 359
TRANSFER BOX	360 - 378
TRANSFER BOX	379 - 397
AXLES AND SUSPENSION	398 - 444
STEERING	445 - 471
VEHICLE AND ENGINE CONTROLS	472 - 486
BRAKES	487 - 517
FUEL SYSTEM AND AIR CLEANER	518 - 579
EXHAUST SYSTEM	580 - 593
COOLING/HEATING	594 - 637
COOLING/HEATING	638 - 641
COOLING/HEATING	642 - 649
COOLING/HEATING	650 - 655
COOLING/HEATING	656 - 666
BODY ELECTRICAL	667 - 740
BODY AND CHASSIS	741 - 909
INTERIOR TRIM	910 - 955
SEATS	956 - 1036
STOWAGE	1037 - 1046
ACCESSORIES - PAINTS	1047 - 1074
NUMERICAL INDEX	1076 - 1151

## GROUP M

## BODY ELECTRICAL

BODY ELECTRICAL	
HEADLAMPS - LUCAS - UP TO KA922614	669
HEADLAMPS - WIPAC - FROM KA922615	670
HEADLAMPS WITH LEVELLING - LHS ONLY	671
FRONT LAMPS - SIDE AND INDICATOR	672
SIDE REPEATER LAMPS	673
REAR LAMPS - STOP/TAIL, INDICATOR, NUMBER PLATE	674 - 675
REFLECTORS, FOG LAMP, REVERSE LAMP	676 - 677
INTERIOR LAMP - UP TO HA455595	678
INTERIOR LAMP - FROM HA455596 UP TO LA939975	679
INTERIOR LAMP - FROM MA939976	680
BATTERY	681 - 682
BATTERY CABLES	683 - 685
MAIN HARNESS - NOTE(1)	686 - 690
UNDER BONNET FUSE BOX - FROM MA939976	691
CHASSIS HARNESS	692 - 694
HARNESS	695 - 696
AIR CONDITIONING ELECTRICS	697 - 698
AIR CONDITIONING ELECTRICS - RHS	699
ENGINE HARNESS - 2.5 PETROL	700
ENGINE HARNESS - V8	701 - 702
ENGINE HARNESS - DIESEL	703
ENGINE HARNESS - DIESEL TURBO AND 200TDI	704
ENGINE HARNESS - 300TDI	705
SPLIT CHARGE FACILITY - UP TO VIN 310168	706 - 707
SPLIT CHARGE FACILITY - FROM VIN 310169	708
INSTRUMENT HARNESS	709
REAR WASH WIPE AND HEATED REAR WINDOW	710
SWITCHES	711 - 712
CIGAR LIGHTER, DASH HARNESS	713
FACIA PLATE - UP TO LA939975	714
FACIA PLATE - FROM MA939976	715
DIM DIP UNIT, GLOW PLUG TIMER	716
FLASHER UNITS - RELAYS - DELAY UNIT	717
300TDI	718
HORN	719 - 721
INSTRUMENT PANEL AND COWL	722 - 723
INSTRUMENTS	724 - 725
CLOCK AND OIL GAUGES	726





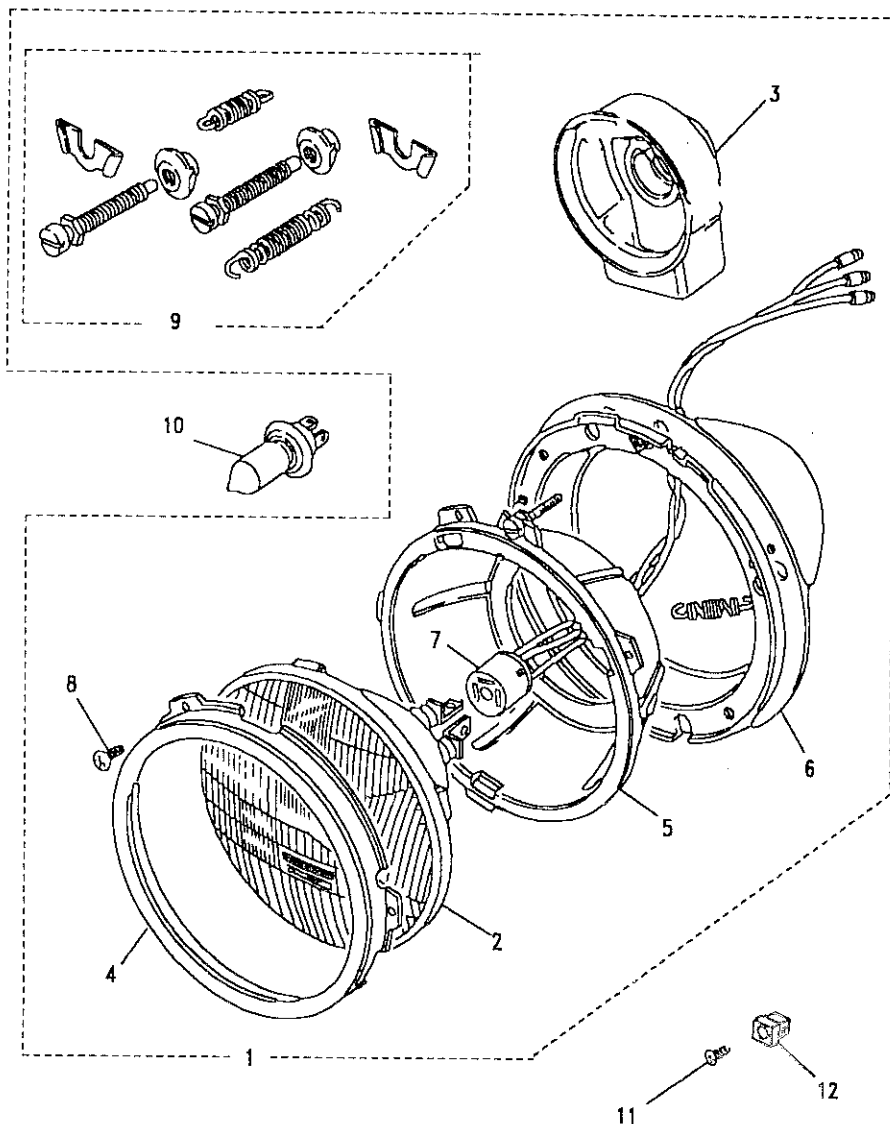
DEFENDER 110 1987 onwards

668

BODY ELECTRICAL

RADIO CASSETTE & LOUDSPEAKERS - UP TO LA939975	727
RADIO CASSETTE & LOUDSPEAKERS - FROM MA939976	728
WINDSCREEN WIPERS	729
WINDSCREEN WASH - NON AIR CON	730
WINDSCREEN WASH - AIR CON	731
FRONT/REAR SCREEN WASH	732
FRONT/REAR SCREEN WASH - AIR CON	733
HEADLAMP AND SCREEN WASH - NON AIR CON	734 - 735
HEADLAMP AND WINDSCREEN WASH - AIR CON	736
HEADLAMP/FRONT/REAR SCREEN WASH	737 - 738
REAR WASH WIPE	739
SEAT BELT AND OVERSPEED WARNING SYSTEM	740



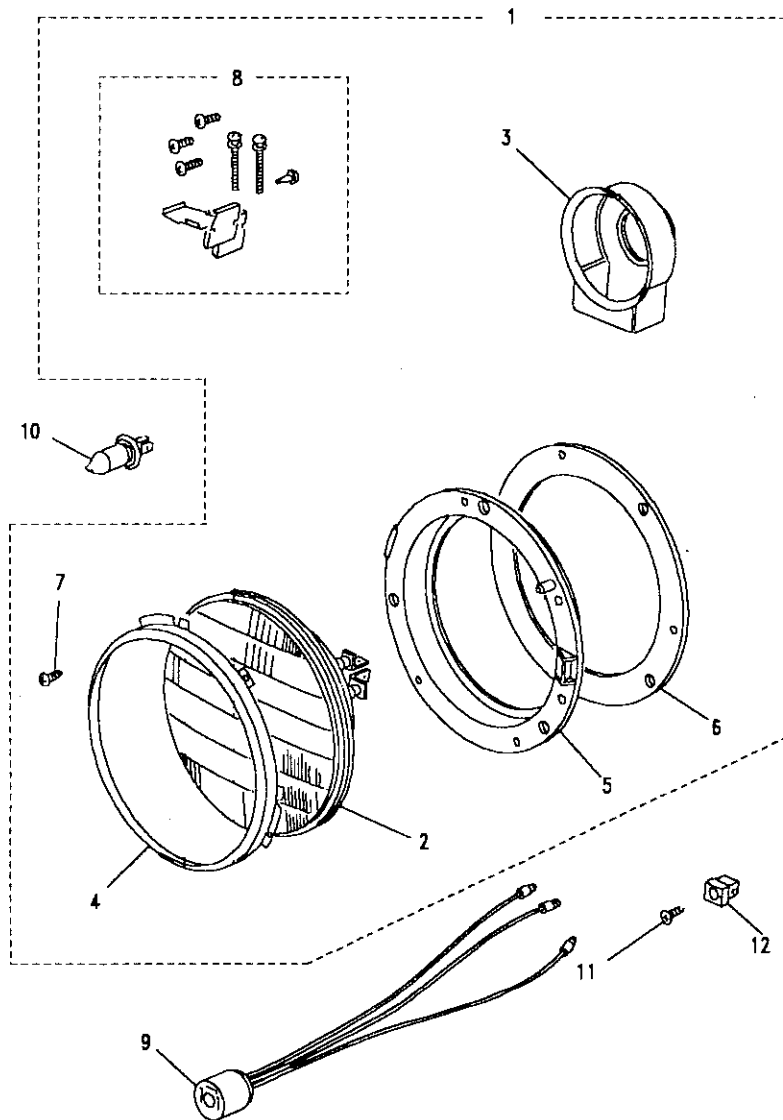


Model DEFENDER 110 1987 onwards

Page AFMXAA1A

**ELECTRICAL - HEADLAMPS - LUCAS - UP TO KA922614**

III. Part No.	Description	Qty	Remarks
<b>Sealed Beam</b>			
1 AEU1355	Headlamp assembly	2	RHS
27H8207L	Headlamp assembly	2	LHS
2 RTC3682	Light unit	2	RHS
RTC3683	Light unit	2	LHS
<b>Quartz Halogen</b>			
1 BAU2144	Headlamp assembly	2	RHS
AEU1742	Headlamp assembly	2	LHS
2 RTC4615	Light Unit	2	RHS
PRC7994	Light Unit	2	LHS
3 156206	Cover bulb	2	
<b>Sealed Beam and Quartz Halogen</b>			
4 PRC7992	Bezel	2	
5 STC643	Rim seating	2	
6 531586	Gasket headlamp	2	
7 600226L	Adaptor	2	
8 AB606022L	Screw	6	
9 BHM7058L	Kit trimmer screw	2	
<b>Quartz Halogen only</b>			
10 589783	Bulb	2	
PRC2167	Bulb yellow	2	
<b>Fixings - Headlamp to body</b>			
11 AB608047	Screw	8	
12 79051	Nut lokut	8	



Model DEFENDER 110 1987 onwards

Page AFMXXA2A

**ELECTRICAL - HEADLAMPS - WIPAC - FROM KA922615**
**III. Part No. Description Qty Remarks**
**Sealed Beam - Wagner markings**

1	AMR2342	Headlamp assembly	2	RHS
	AMR2343	Headlamp assembly	2	LHS
2	STC949	Light unit	2	RHS
	STC950	Light unit	2	LHS

**Quartz Halogen - Wipac markings**

1	AMR2344	Headlamp assembly	2	RHS
	AMR2345	Headlamp assembly	2	LHS
	AMR2346	Headlamp assembly	2	LHS Yellow
2	STC1209	Light unit	2	RHS
	STC1210	Light unit	2	LHS
	STC1851	Clip bulb retaining	2	
3	STC951	Cover bulb	2	

**Sealed Beam and Quartz Halogen**

4	STC1485	Bezel black	2	
5	STC1613	Body headlamp	2	
6	STC1612	Gasket headlamp	2	
7	STC1486	Screw black	2	
8	STC1614	Kit headlamp fittings	2	
9	AMR2357	Link lead headlamp	2	Note(1)

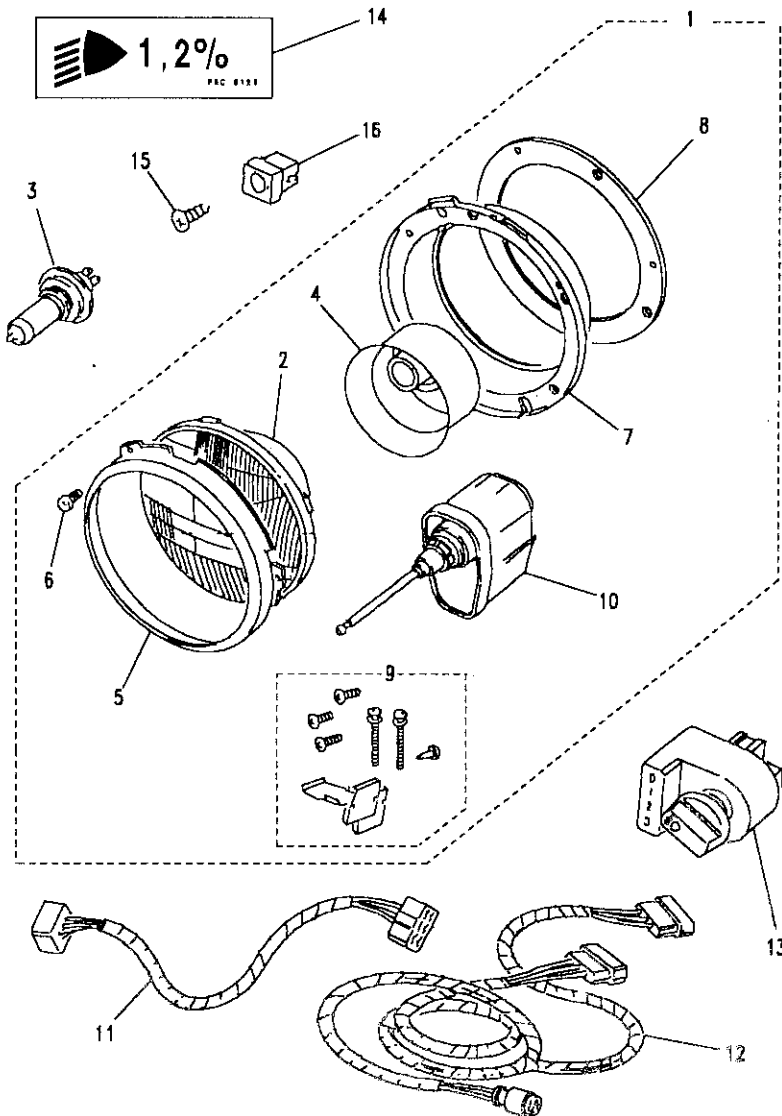
**Quartz Halogen only**

10	589783	Bulb	2	
	PRC2167	Bulb yellow	2	

**Fixings - Headlamp to body**

11	AB608047	Screw	8	
12	79051	Nut lokut	8	

Note(1) For fitting Wipac lamps in place of Lucas.

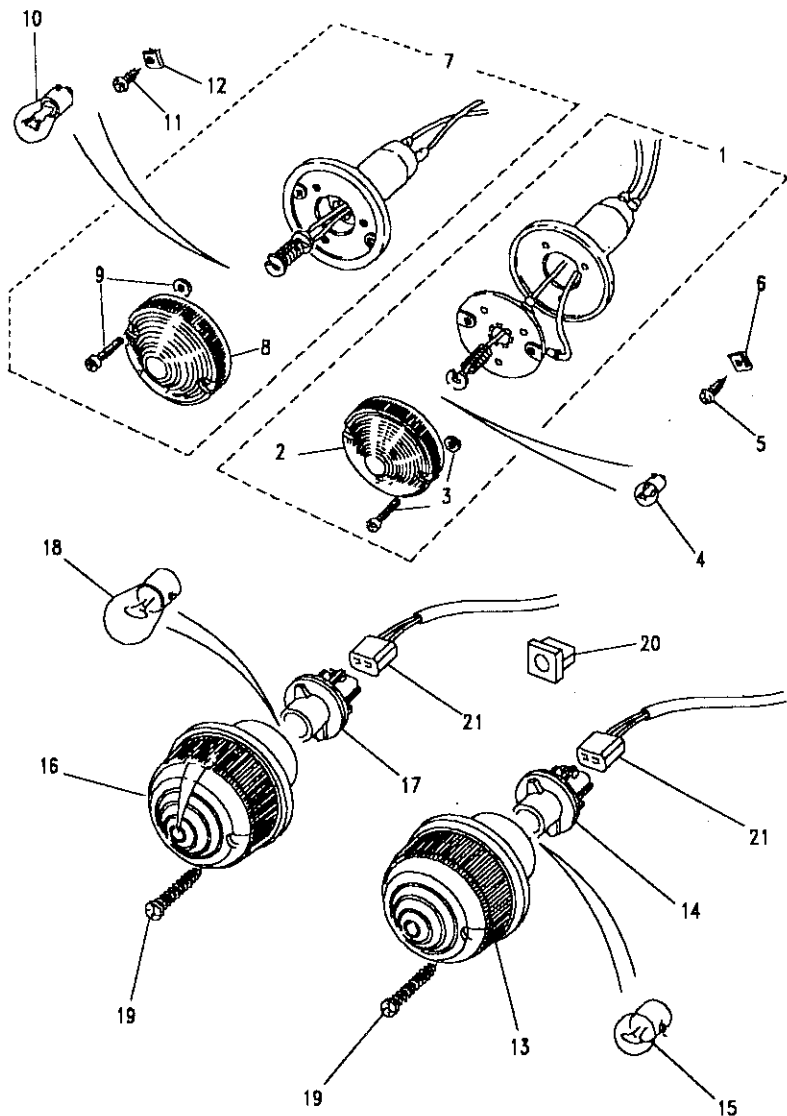


**Model** DEFENDER 110 1987 onwards  
**Page** AFMXAA2B

**BODY ELECTRICS - HEADLAMPS WITH LEVELLING - LHS ONLY**

III. Part No.	Description	Qty	Remarks
1	AMR3247	2	Headlamp assembly
2	STC1210	2	Light Unit
	STC1851	2	Clip bulb retaining
3	589783	2	Bulb
4	STC951	2	Cover bulb
5	STC1485	2	Rim (Black)
6	STC1486	2	Screw(Black)
7	STC1613	2	Body headlamp
8	STC1612	2	Gasket headlamp
9	STC1614	2	Kit headlamp fittings
10	AMR2090	2	Actuator
11	PRC9993	1	Cable assembly
12	PRC8816	1	Link lead
13		1	Switch headlamp levelling
14	PRC8125	1	Label warning
<b>Fixings - Headlamp to body</b>			
15	AB608047	8	Screw
16	79051	8	Nut lokut





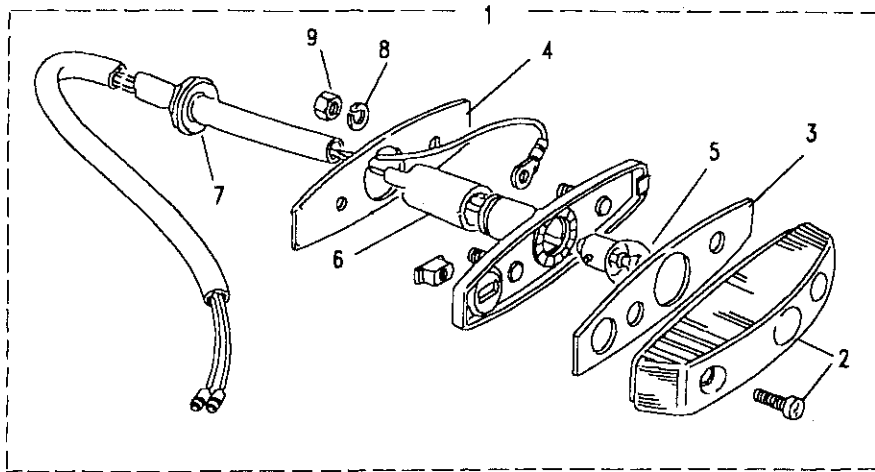
**Model** DEFENDER 110 1987 onwards  
**Page** AFMXAC1A

**ELECTRICAL - FRONT LAMPS - SIDE AND INDICATOR**

Ill. Part No.	Description	Qty	Remarks
<b>Up to LA940004</b>			
1	RTC5012	2	Lamp side
2	589284	2	Lens
3	608004	4	Screw and Washer
4	570822	2	Bulb
	10211	2	Lucas lamps
		2	LEP lamps
5	AB606041L	6	Screw
6	AK606021L	6	Nut spring
7	RTC5013	2	Lamp indicator
8	589285	2	Lens
9	608004	4	Screw and Washer
10	264591	2	Bulb
11	AB606041L	6	Screw
12	AK606021L	6	Nut spring
<b>Sealed light units - From MA940005</b>			
13	STC1227	2	Lamp - front sidelight
14	AMR1421	2	Bulb holder
15	10211	2	Bulb - sidelight
16	STC1228	2	Lamp - front indicator
17	AMR1421	2	Bulb holder
18	264591	2	Bulb - indicator
19		4	NSP Note(1)
20	CZH619	4	Nut lokut
21	STC1188	4	Note(2)

Note(1) Screws supplied with lens assembly.  
 Note(2) For connection of 95MY lamps to pre 95MY harness.

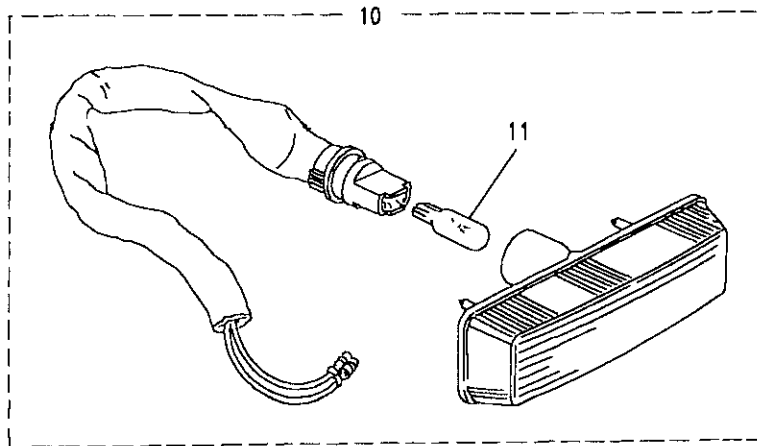


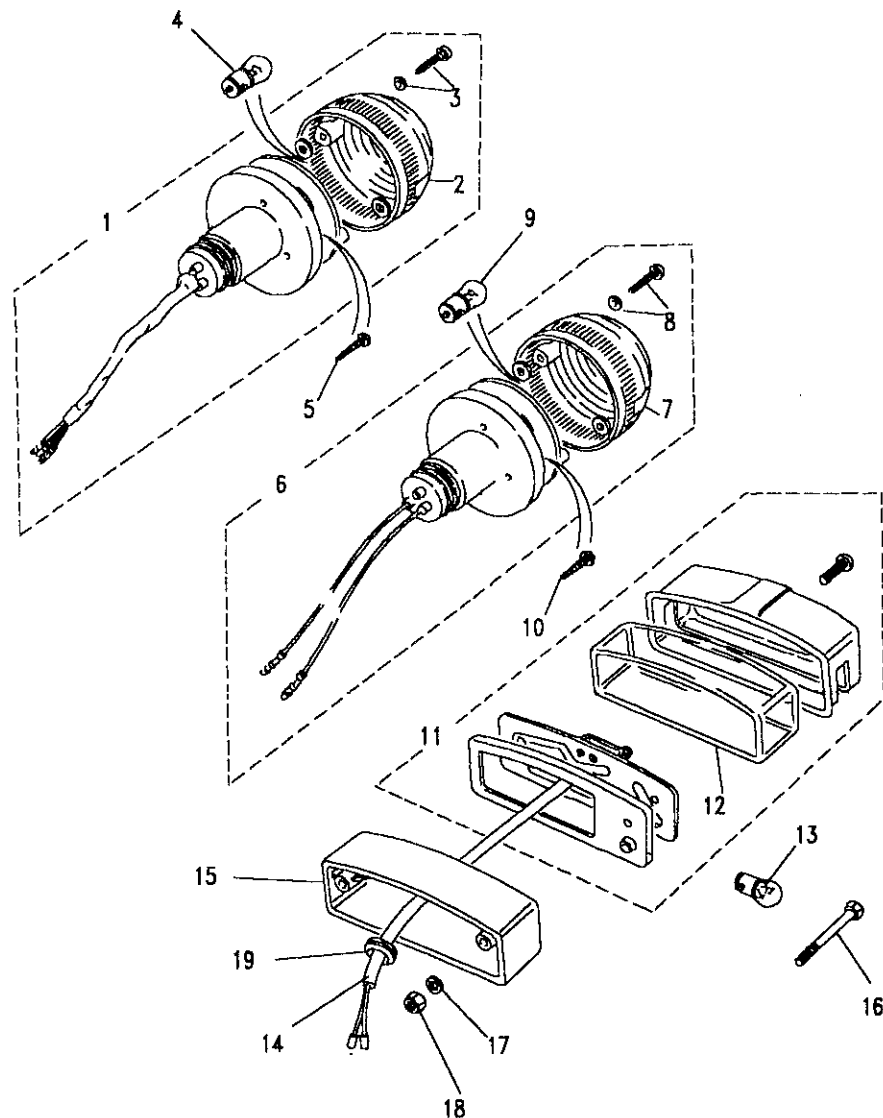


**Model** DEFENDER 110 1987 onwards  
**Page** AFMXAC2A

**ELECTRICAL - SIDE REPEATER LAMPS**

III. Part No.	Description	Qty	Remarks
1 589143	Lamp side repeater	2	Upto VIN 331921
2 27H2403L	Lens and screw	2	NLS
3 608311	Gasket	2	
4 608312	Gasket	2	
5 570822	Bulb	2	
6 515060	Grommet	2	NLS
7 233243	Grommet	2	
8 WM704001L	Washer spring	4	
9 257203	Nut	4	
10 PRC7044	Lamp side repeater	2	From VIN 331922
PRC9916	Lamp side repeater	2	up to LA939975
11 570829	Bulb	2	From MA939976
12 MWC9606	Bush	4	
AFU1926L	Nut captive	4	

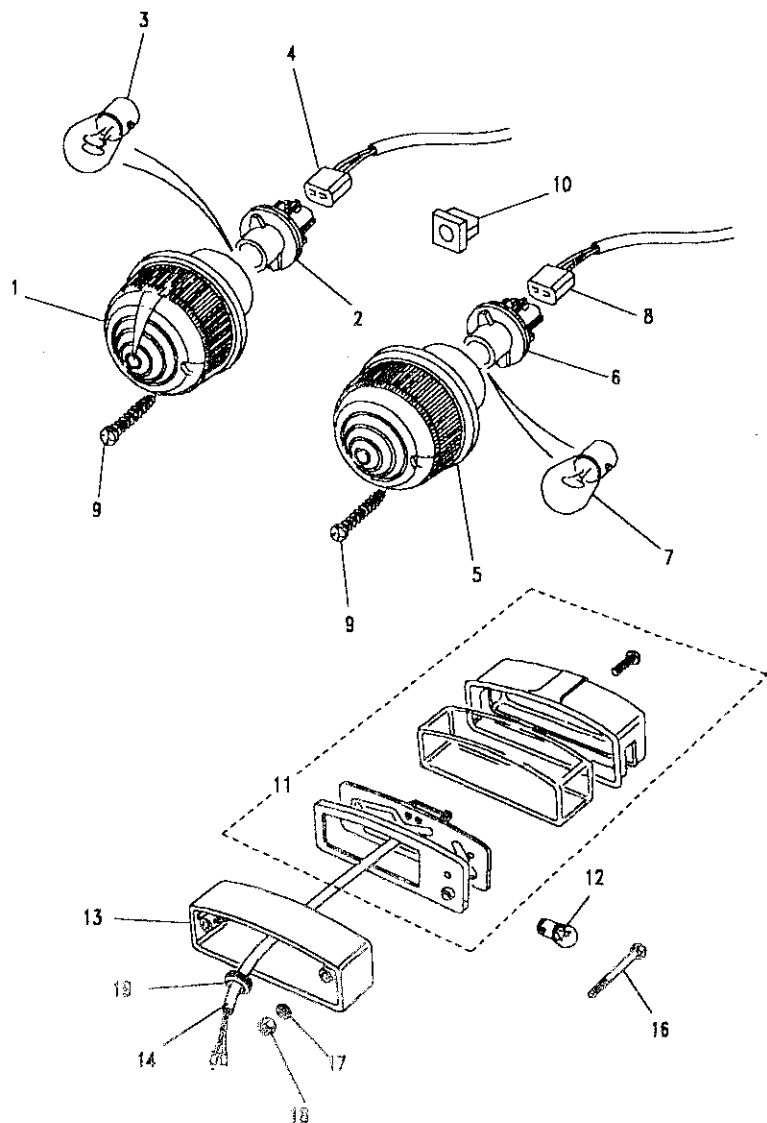




**Model** DEFENDER 110 1987 onwards  
**Page** AFMXAC3A

**ELECTRICAL - REAR LAMPS - STOP/TAIL, INDICATOR, NUMBER PLATE**

Ill. Part No.	Description	Qty	Remarks
<b>Up to LA939975</b>			
1	RTC5523	2	Lamp stop/tail
2	RTC210	2	Lens
3	608004	4	Screw & Washer
4	264590	2	Bulb
5	77932	6	Screw
6	RTC5524	2	Lamp indicator
7	589202	2	Lens
8	608004	4	Screw & Washer
9	264591	2	Bulb
10	77932	6	Screw
11	AEU1652	1	Lamp number plate
12	606211	1	Lens NLS
13	570822	2	Bulb
14	589026	1	Cable
15	PRC3617	1	Cable HCPU
16	345597	1	Plinth
17	PRC3588	1	Plinth HCPU
18	257302	2	Screw
19	WL105001L	2	Washer spring
	HN2005L	2	Nut
	235113	1	Grommet



Model DEFENDER 110 1987 onwards

Page AFMXAC3B

ELECTRICAL - REAR LAMPS - STOP/TAIL, INDICATOR, NUMBER PLATE

III. Part No.	Description	Qty	Remarks
<b>Sealed light units - From MA939976</b>			
1	STC1230 Lamp - stop/tail	2	
2	AMR1422 Bulb holder 5/21W	2	
3	264590 Bulb - stop/tail	2	
4	STC1189 Cable assembly	2	Note(1)
5	STC1229 Lamp - rear indicator	2	
6	AMR1421 Bulb holder	2	
7	264591 Bulb - indicator	2	
8	STC1188 Cable assembly	2	Note(1)
9	Screw	4	NSP Note(2)
10	CZH619 Lokut nut	4	
11	PRC7255 Lamp number plate	1	
12	570822 Bulb	2	
13	345597 Plinth	1	
14	589026 Cable	1	
15	233244 Grommet	1	
16	SH105551 Screw M5	2	
17	WM702001 Washer spring	2	
18	NH105041 Nut M5	2	

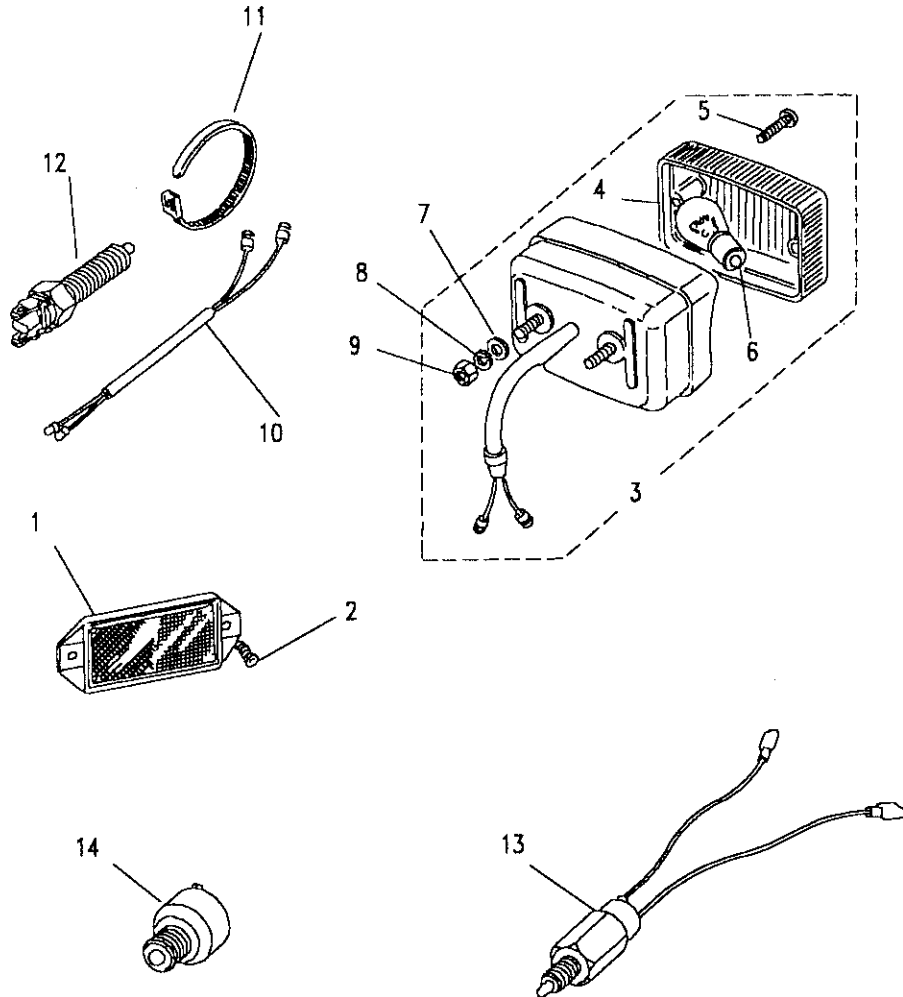
Note(1) For connection of 95MY lamps to pre 95MY harness.  
 Note(2) Screws supplied with lens assembly.





Model DEFENDER 110 1987 onwards  
Page AFMXAC4A

ELECTRICAL - REFLECTORS, FOG LAMP, REVERSE LAMP



III. Part No.	Description	Qty	Remarks
1	MWC1722	2	Rectangular
2	AB608047L	4	
3	PRC2516	1	
4	RTC4183	1	Lens red
5	RTC4185	2	Screw
6	264591	1	Bulb
7	WA105001L	2	Washer plain
8	WL105001L	2	Washer spring
9	NH105041L	2	Nut
3	PRC3299	1	Lamp reversing
4	RTC4184	1	Lens clear
5	RTC4185	2	Screw
6	264591	1	Bulb
7	WA105001L	2	Washer plain
8	WL105001L	2	Washer spring
9	NH105041L	2	Nut





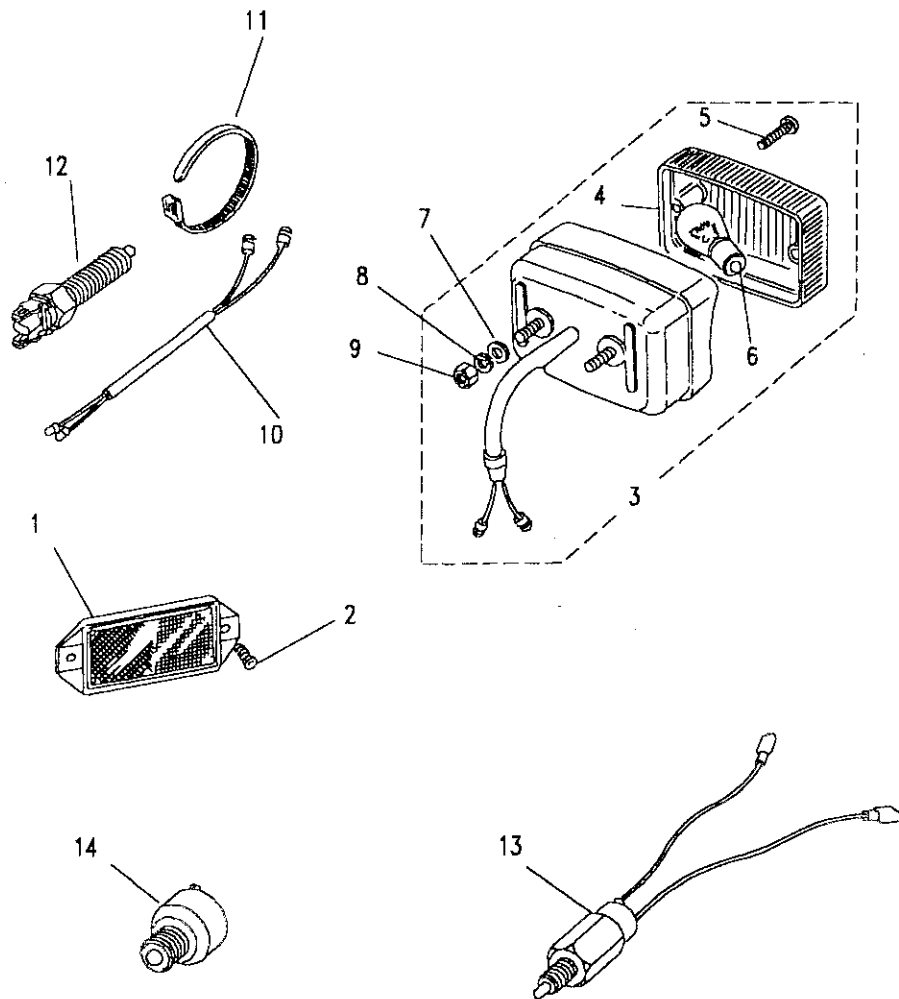
Model DEFENDER 110 1987 onwards

Page AFMXAC4A

ELECTRICAL - REFLECTORS, FOG LAMP, REVERSE LAMP

III. Part No.	Description	Qty	Remarks
<b>Vehicles with LT77 gearbox .- Note(1)</b>			
10 PRC2876	Cable assembly	1	4 cyl reverse lamp
PRC4473	Cable assembly	1	V8 reverse lamp
11 573246	Cable tie	2	
<b>4 Cylinder vehicles</b>			
12 PRC2911	Switch reverse lamp	1	Upto FA414648
PRC3085	Link lead	1	Note(2)
13 PRC8204	Switch reverse lamp	1	From FA414649
NT110041L	Lock nut	1	Reverse lamp switch
<b>V8 vehicles</b>			
14 PRC1039	Switch reverse lamp	1	

Note(1) For R380 gearbox switches see transmission section.  
 Note(2) Connects chassis harness to PRC2911 reverse lamp switch.



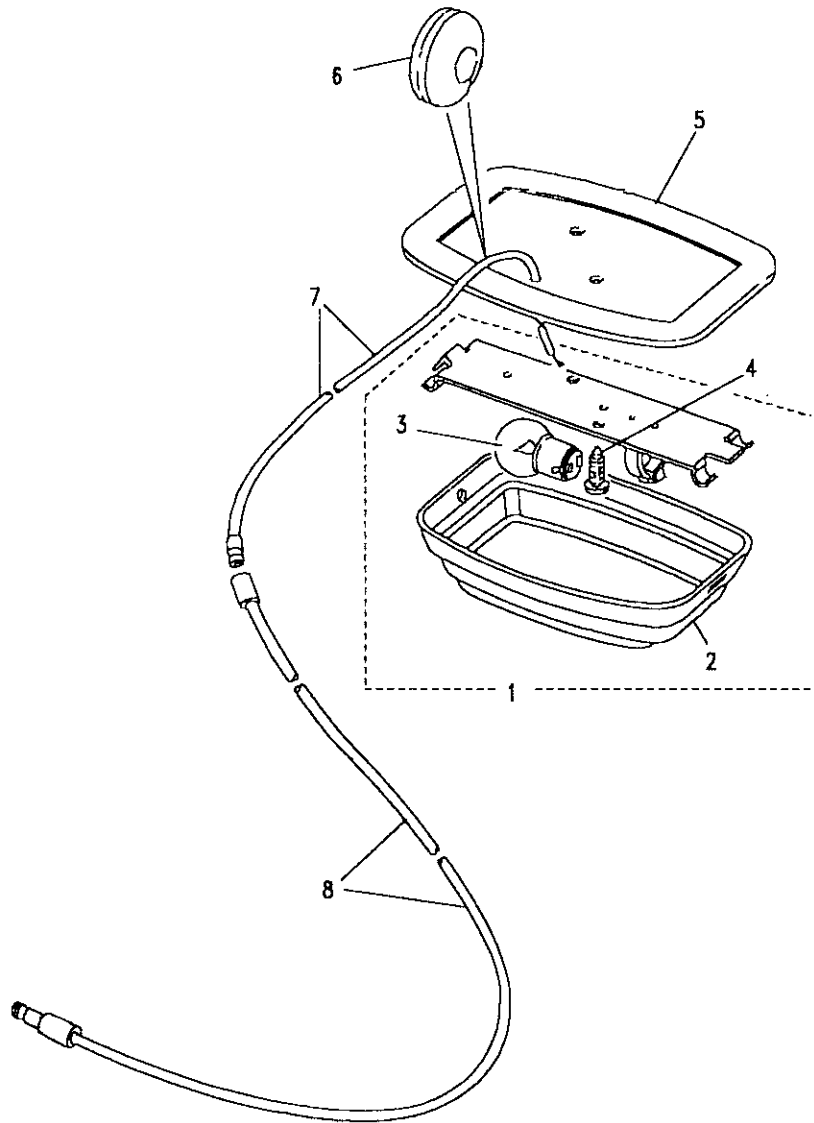


**Model** DEFENDER 110 1987 onwards  
**Page** AFMXAE1A

**ELECTRICAL - INTERIOR LAMP - UP TO HA455595**

III. Part No.	Description	Qty	Remarks
1 265295	Lamp interior	1	No longer available use STC251
2 320608	Lens	1	
3 264591	Bulb	1	
4 AB606041L	Screw	2	
5 MTC4132	Pad	1	
MWC9601	Gasket roof lamp	1	Sunroof vehicles From Note(1)
6 312856	Grommet	1	
<b>Lamp to roof connection</b>			
7 PRC2964	Lead	1	
<b>Switch to roof connection</b>			
8 PRC3813	Lead	1	

Note(1) EA314292 (Regular), EA314268 (Station Wagon) - Intro. of 1988MY.

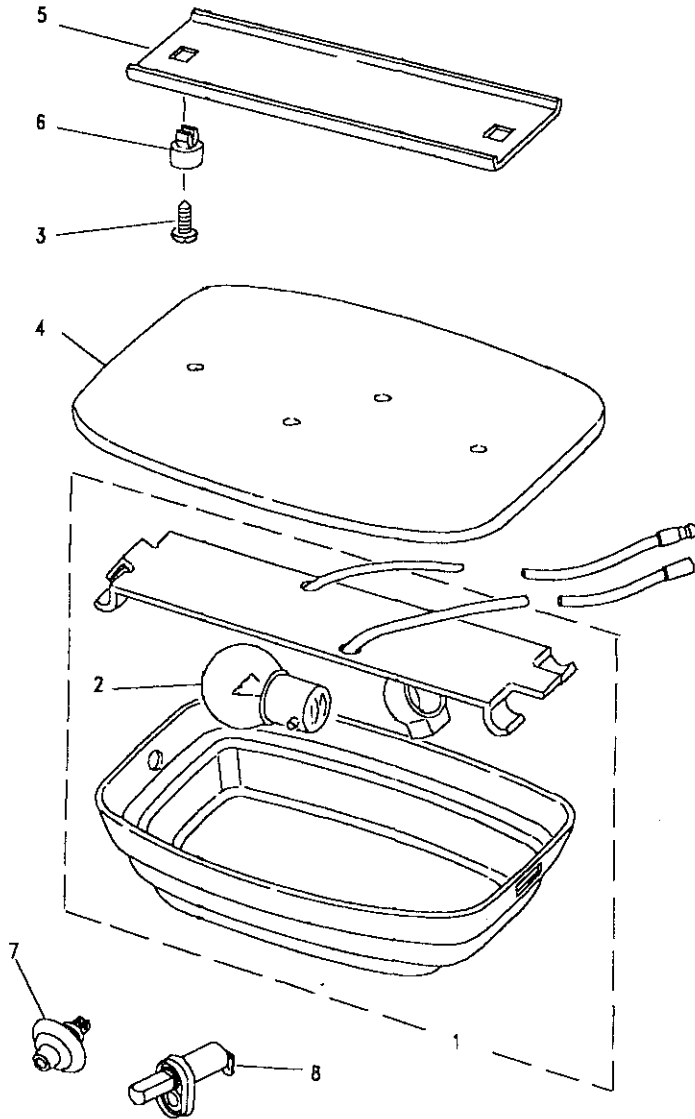




DEFENDER 110 1987 onwards

679

BODY ELECTRICAL



**Model** DEFENDER 110 1987 onwards  
**Page** AFMXAE2A

**ELECTRICAL - INTERIOR LAMP - FROM HA455596 UP TO LA939975**

III. Part No.	Description	Qty	Remarks
1	STC251	1	Lamp interior
2	264591	1	Bulb
3	AB606041L	2	Screw
4	MWC9601	1	Gasket
5	MXC2342	1	Plate backing
6	MXC2341	2	Nut lokut
7	PRC8231	2	Switch interior light
8	AFU4241L	2	Switch interior light
			Up to HA903278
			From HA903279

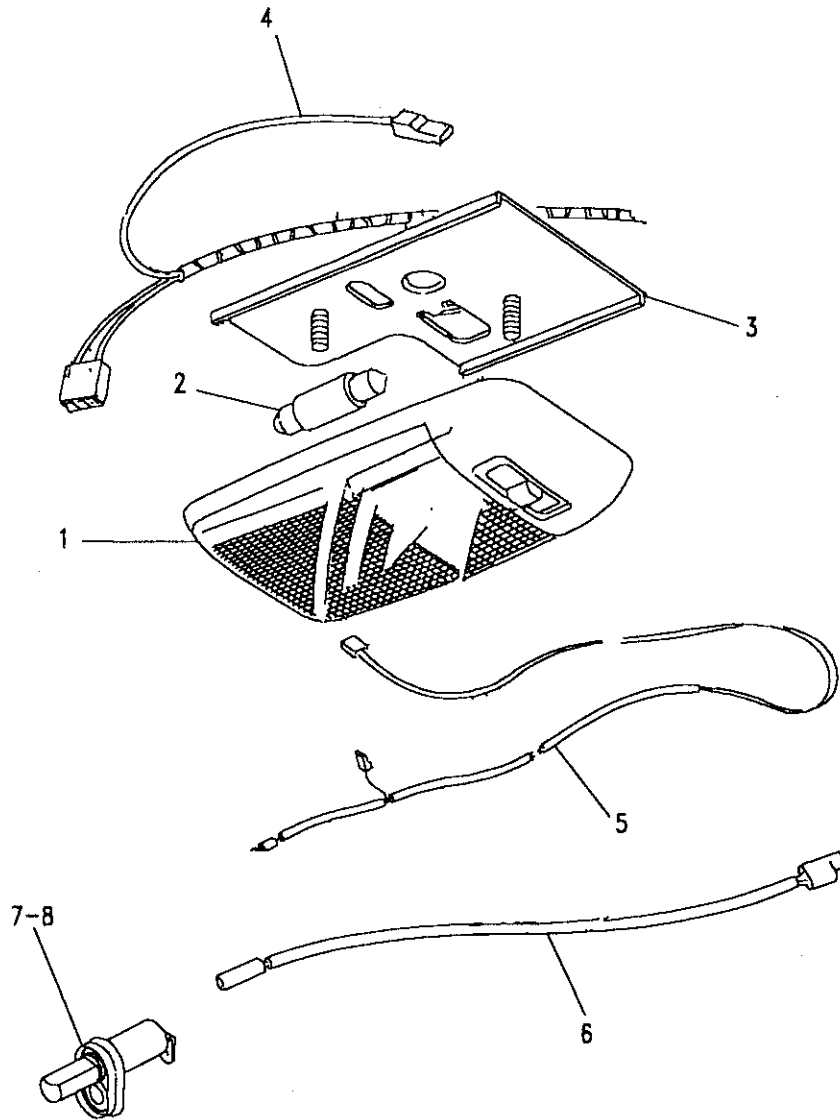


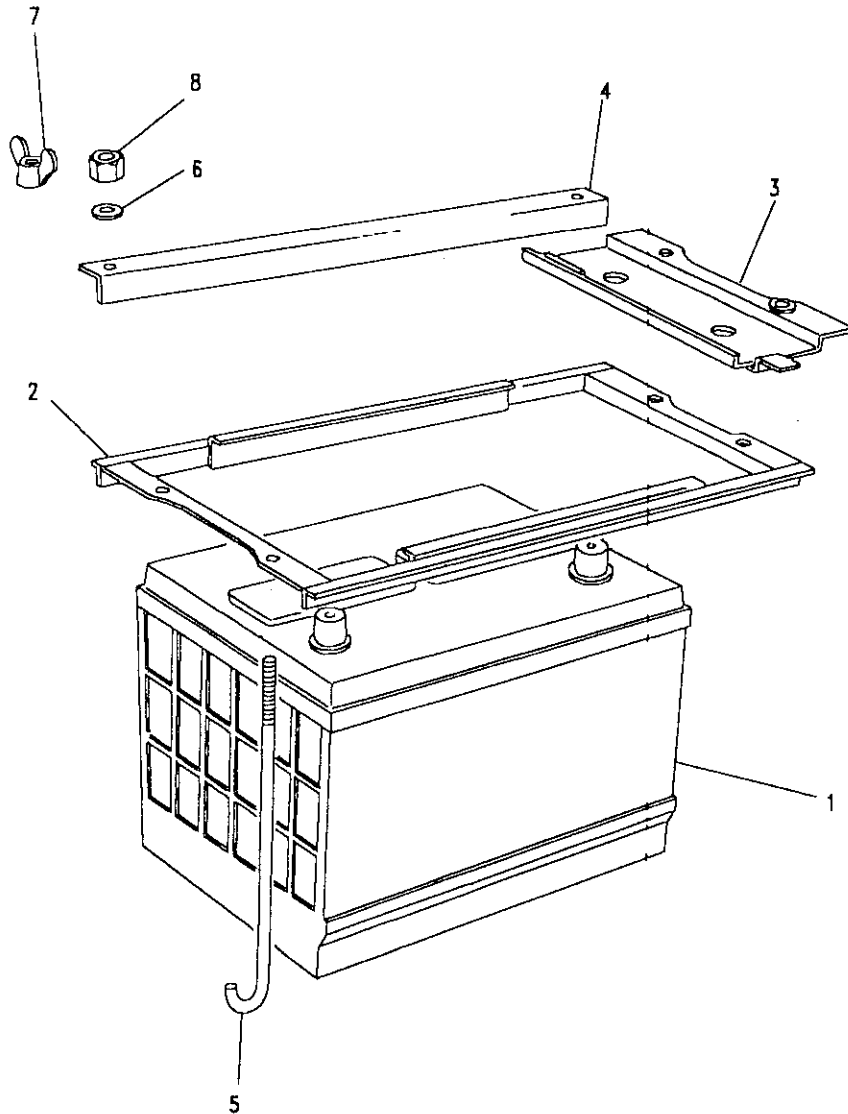


**Model** DEFENDER 110 1987 onwards  
**Page** AFMXAE2B

**ELECTRICAL - INTERIOR LAMP - FROM MA939976**

III. Part No.	Description	Qty	Remarks
1 AMR3155	Lamp interior	2	
2 586438	Bulb festoon 12V 10W	2	
3 AMR3142	Bracket mounting	2	
4 AMR3158	Harness front light	1	
5 AMR3322	Harness rear light	1	
6 AMR3727	Cable rear light switch	1	
7 AFU4241L	Switch front light	2	
8 PRC8548	Switch rear light	1	





**Model** DEFENDER 110 1987 onwards  
**Page** AFMXCA1A

**ELECTRICAL - BATTERY**

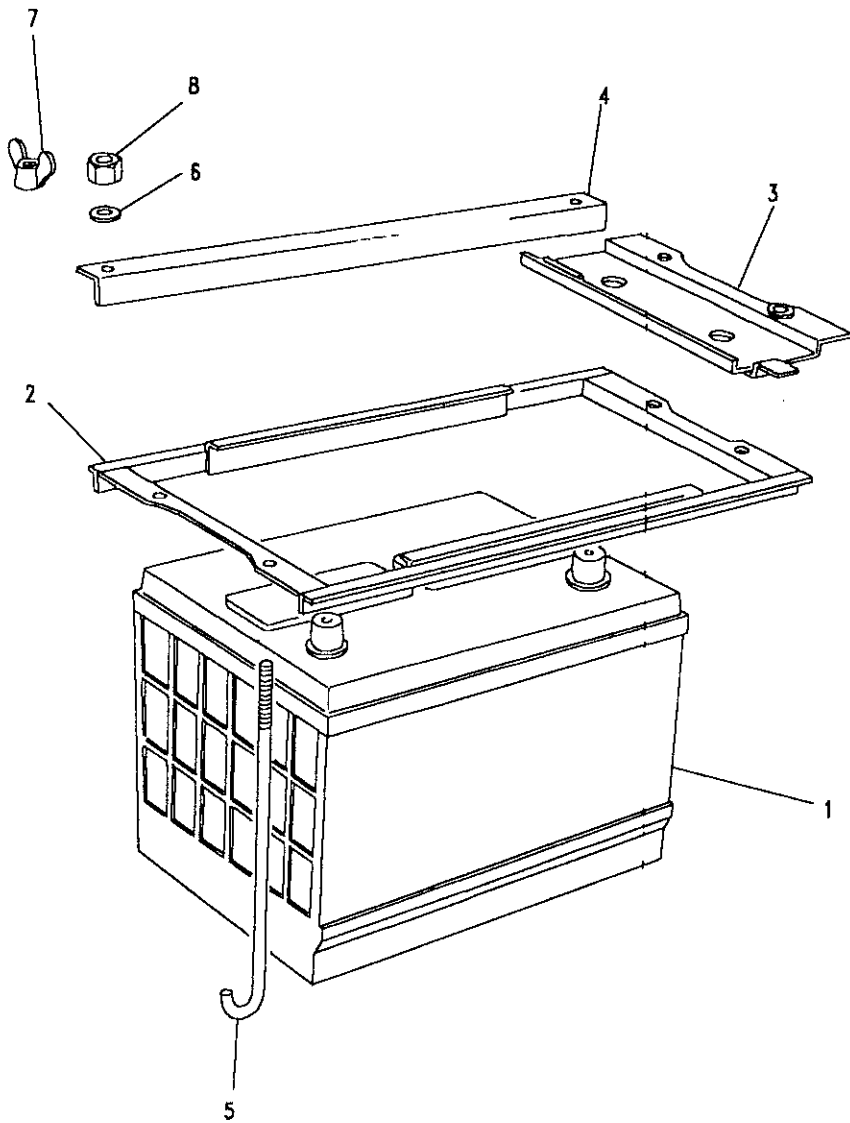
III. Part No.	Description	Qty	Remarks
<b>Petrol</b>			
1 STC8268	Battery wet	1	
1 STC8270	Battery dry	1	
<b>Diesel</b>			
1 STC8267	Battery wet	1	
1 STC8269	Battery dry	1	
2 NRC5338	Cover battery	1	Petrol Upto VIN 273882
2 NRC5387	Cover battery	1	Diesel Upto VIN 273882
3 MTC6302	Spacer	1	Petrol Upto VIN 273882
4 MUC7513	Clamp battery	1	From VIN 273883



**Model** DEFENDER 110 1987 onwards  
**Page** AFMXCA1A

**ELECTRICAL - BATTERY**

III. Part No.	Description	Qty	Remarks
<b>Defender 110</b>			
5 MRC7132	J bolt	2	Up to VIN 273882
5 MRC7132	J bolt	1	From VIN 273883 up to VIN 455645
5 MUC7514	J bolt	1	From VIN 273883 up to VIN 455645
5 STC307	J bolt	2	From HA455646
<b>Defender 130</b>			
RRC2636	J bolt	2	
RRC2579	Clamp eye	2	
6 AFU1271	Washer	2	)Alternatives
6 WA106041L	Washer plain	2	)up to VIN 273882
6 WC106041L	Washer plain	2	From VIN 273883
7 AFU1272	Nut wing	2	)Alternatives
8 NH106041L	Nut	4	)up to VIN 273882
8 NH106041L	Nut	4	From VIN 273883

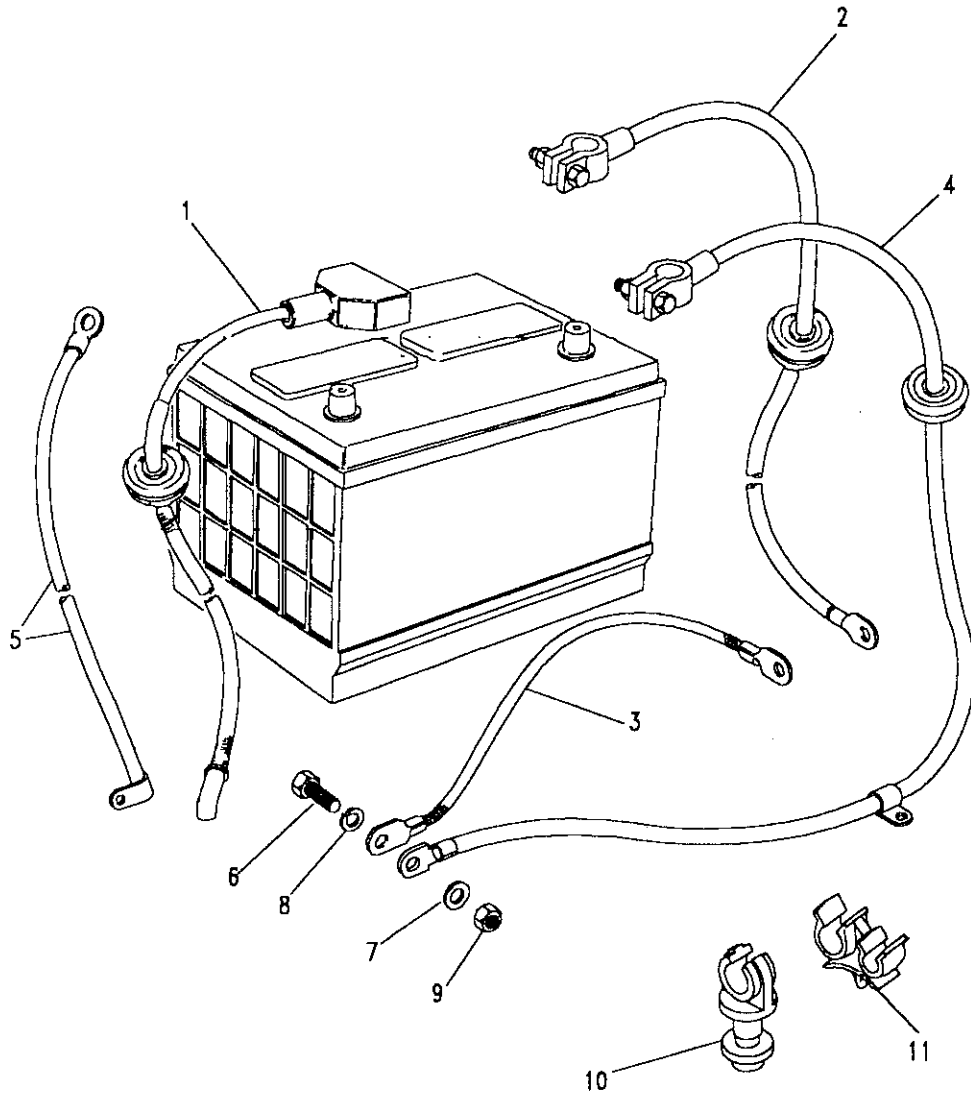




Model DEFENDER 110 1987 onwards  
Page AFMXCA2A

ELECTRICAL - BATTERY CABLES

III. Part No.	Description	Qty	Remarks
<b>Defender 110</b>			
<b>4 cylinder Petrol</b>			
1 PRC1860	Cable battery positive	1	1250mm
<b>V8 Petrol</b>			
1 PRC2230	Cable battery positive	1	1830mm
<b>Diesel &amp; 200TDI</b>			
1 PRC4616	Cable battery positive	1	1250mm
<b>300TDI</b>			
1 AMR3104	Cable battery positive	1	
<b>Defender 130</b>			
1 RRC2635	Cable battery positive	1	NLS

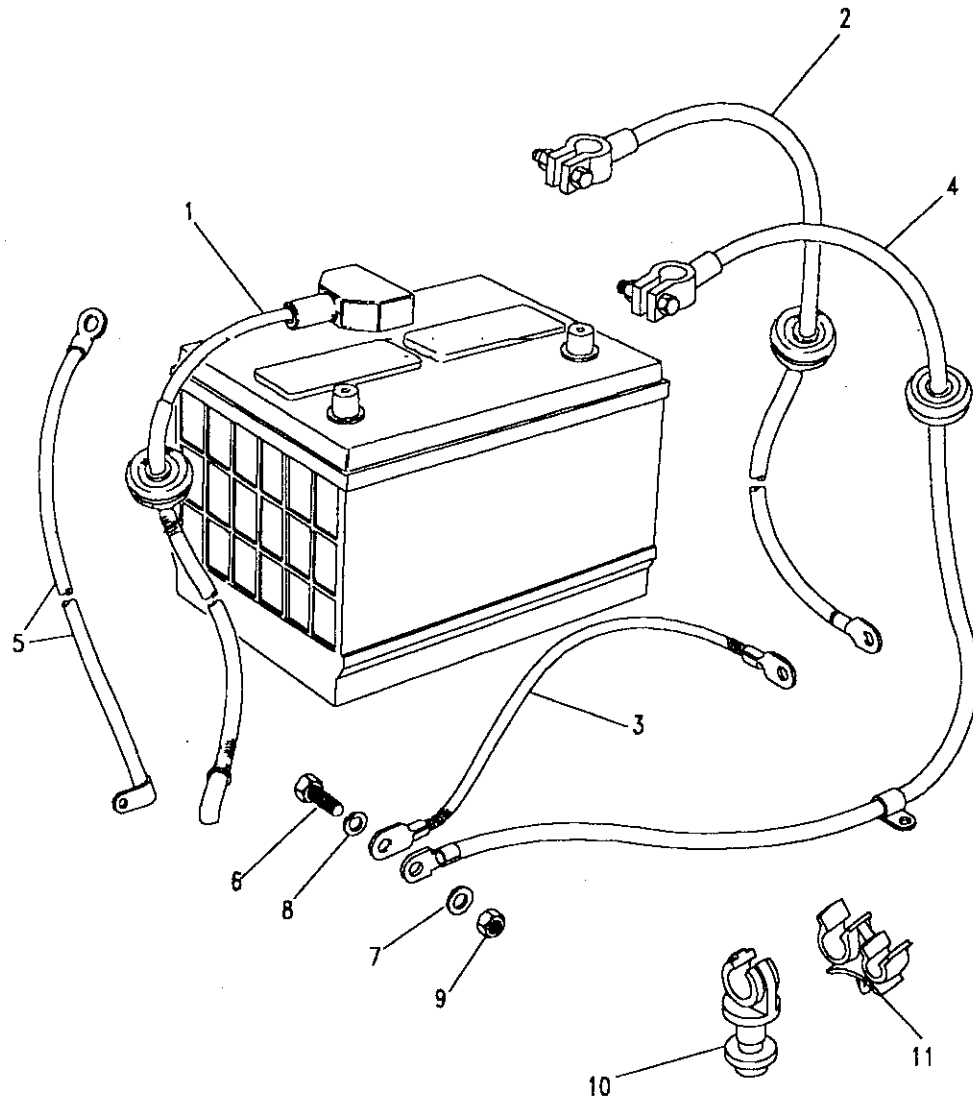




**Model** DEFENDER 110 1987 onwards  
**Page** AFMXCA2A

**ELECTRICAL - BATTERY CABLES**

Ill. Part No.	Description	Qty	Remarks
<b>Petrol</b>			
2 PRC1859	Cable battery negative	1	480mm Up to VIN 273882
2 PRC7175	Cable battery negative	1	740mm From VIN 273883 Up to HA905528
4 PRC9226	Cable battery negative	1	1170mm From HA905529
<b>Diesel</b>			
2 PRC5524	Cable battery negative	1	640mm Up to HA905518
4 PRC9224	Cable battery negative	1	1170mm From HA905519
<b>Petrol/Diesel - Note(1)</b>			
2 PRC6785	Cable battery negative	1	1050mm





Model DEFENDER 110 1987 onwards  
Page AFMXCA2A

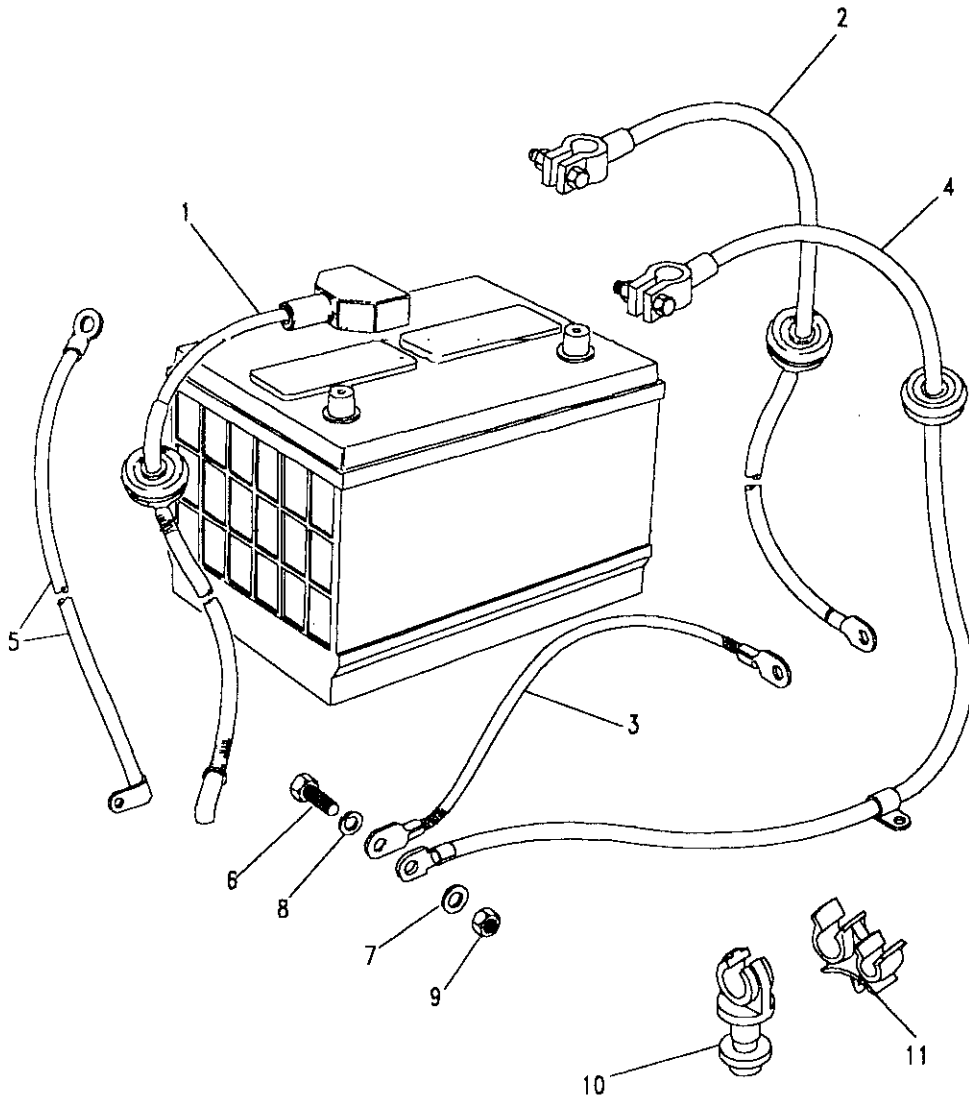
**ELECTRICAL - BATTERY CABLES**

III. Part No.	Description	Qty	Remarks
3	PRC3625	1	Lead engine/earth 250mm
3	PRC5499	1	Lead engine/earth 250mm
5	PRC2015	1	Lead starter/earth 300mm
6	FS108207L	2	Screw
6	FS108251L	2	Screw
7	WA108051L	2	Washer plain
8	WL108001L	2	Washer spring
9	FN108041L	2	Nut
10	PRC3180	1	Clip retaining
11	PRC3025	2	Clip retaining

**Split charge vehicles only - from EA VIN prefix onwards**

1	AMR3843	1	Cable battery - positive	Additional battery
2	AMR3844	1	Cable battery - negative	Additional battery

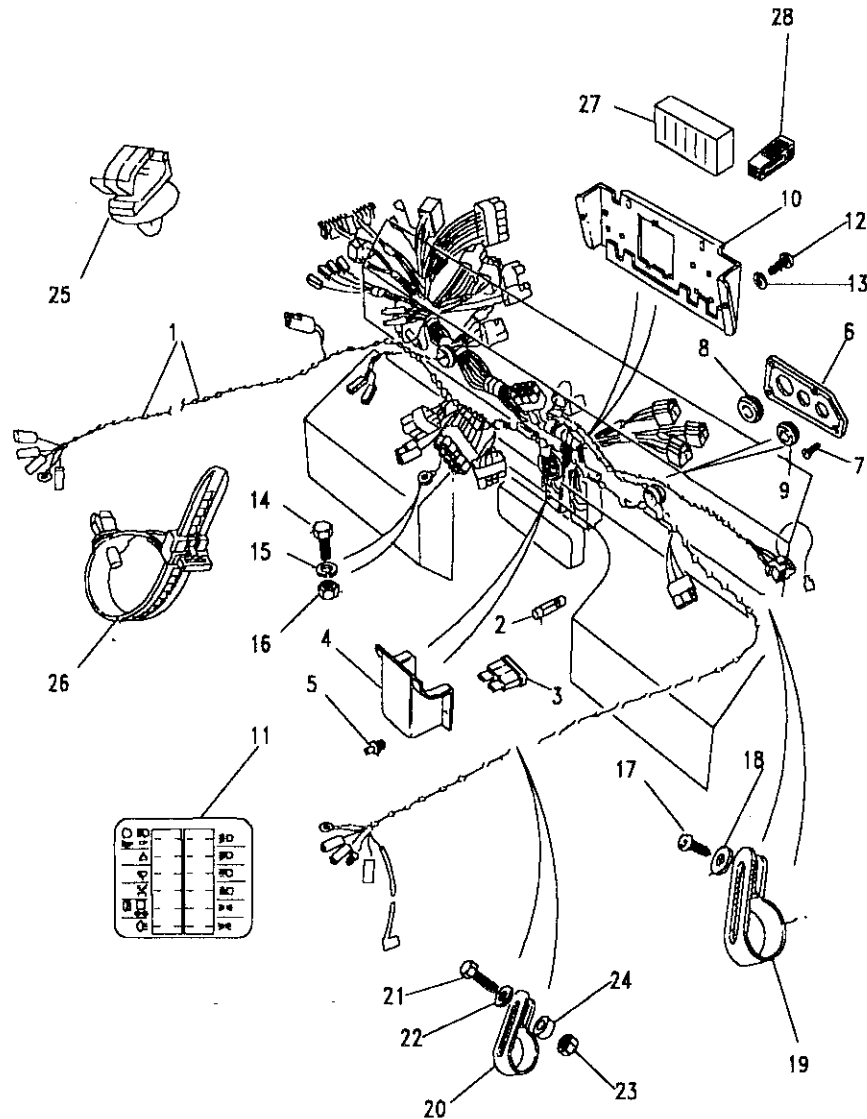
Note(1) Re-routed cable - From VIN 293222  
Note(2) Up to HA905528 Petrol & HA905518 Diesel.





**Model** DEFENDER 110 1987 onwards  
**Page** AFMXCC1A

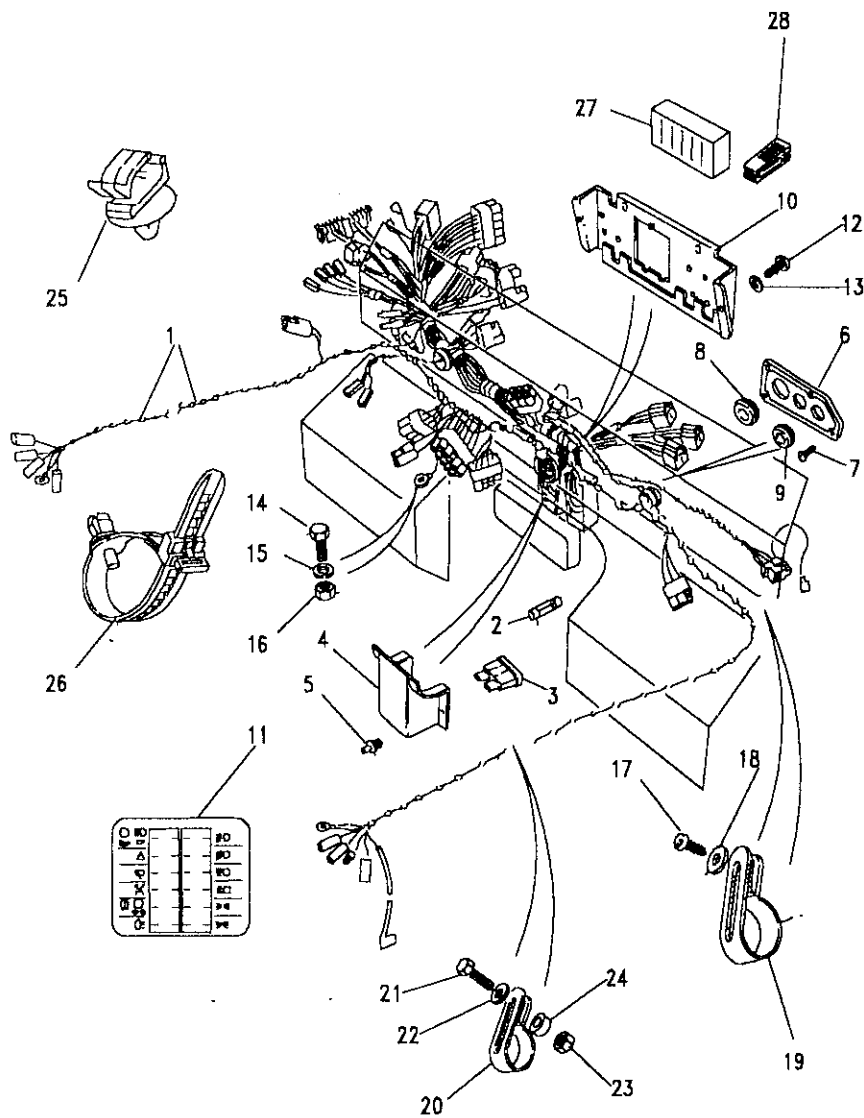
**ELECTRICAL - MAIN HARNESS - NOTE(1)**



III. Part No.	Description	Qty	Remarks
<b>All Derivatives - up to HA906454</b>			
1 PRC6311	Harness main	1	Up to FA404682
1 PRC6779	Harness main	1	From FA404683 up to FA423988
1 PRC8243	Harness main	1	From FA423989 up to VIN 455595
1 PRC8385	Harness main	1	From HA455596 up to HA903278
1 PRC8868	Harness main	1	From HA903279 up to HA906454
<b>Petrol - from HA906455 up to LA939975</b>			
1 PRC9810	Harness main	1	From HA906455 up to JA915797
1 AMR1487	Harness main	1	From JA915798 up to KA922208
1 AMR2347	Main harness	1	From KA922209
<b>Diesel - from HA906455 up to LA939975</b>			
1 PRC9809	Harness main	1	From HA906455
<b>200TDI - from HA906455</b>			
1 PRC9810	Harness main	1	From HA906455 up to JA915323
1 AMR1488	Harness main	1	From JA915324 up to KA922208
1 AMR2348	Harness main	1	From KA922209

Note(1) Fusebox is part of main harness and is not serviced separately.





**Model** DEFENDER 110 1987 onwards  
**Page** AFMXCC1A

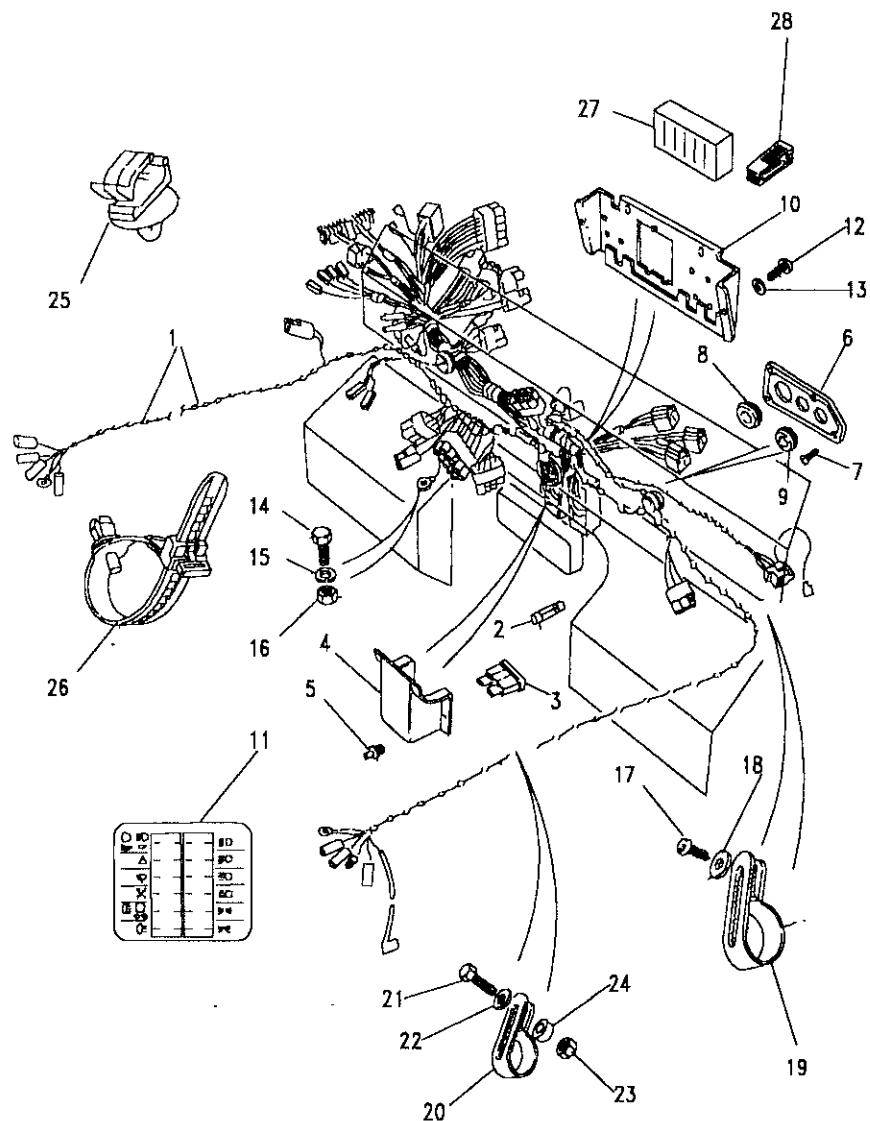
**ELECTRICAL - MAIN HARNESS - NOTE(1)**

III. Part No.	Description	Qty	Remarks
<b>Petrol - from MA939976</b>			
1 AMR3481	Harness main - lowline	1	
AMR3480	Harness main - highline	1	
<b>Diesel - from MA939976</b>			
AMR3482	Harness main	1	
<b>300TDI - from MA939976</b>			
AMR3483	Harness main - lowline	1	
AMR3484	Harness main - highline	1	

Note(1) Fusebox is part of main harness and is not serviced separately.







**Model** DEFENDER 110 1987 onwards  
**Page** AFMXCC1A

**ELECTRICAL - MAIN HARNESS - NOTE(1)**

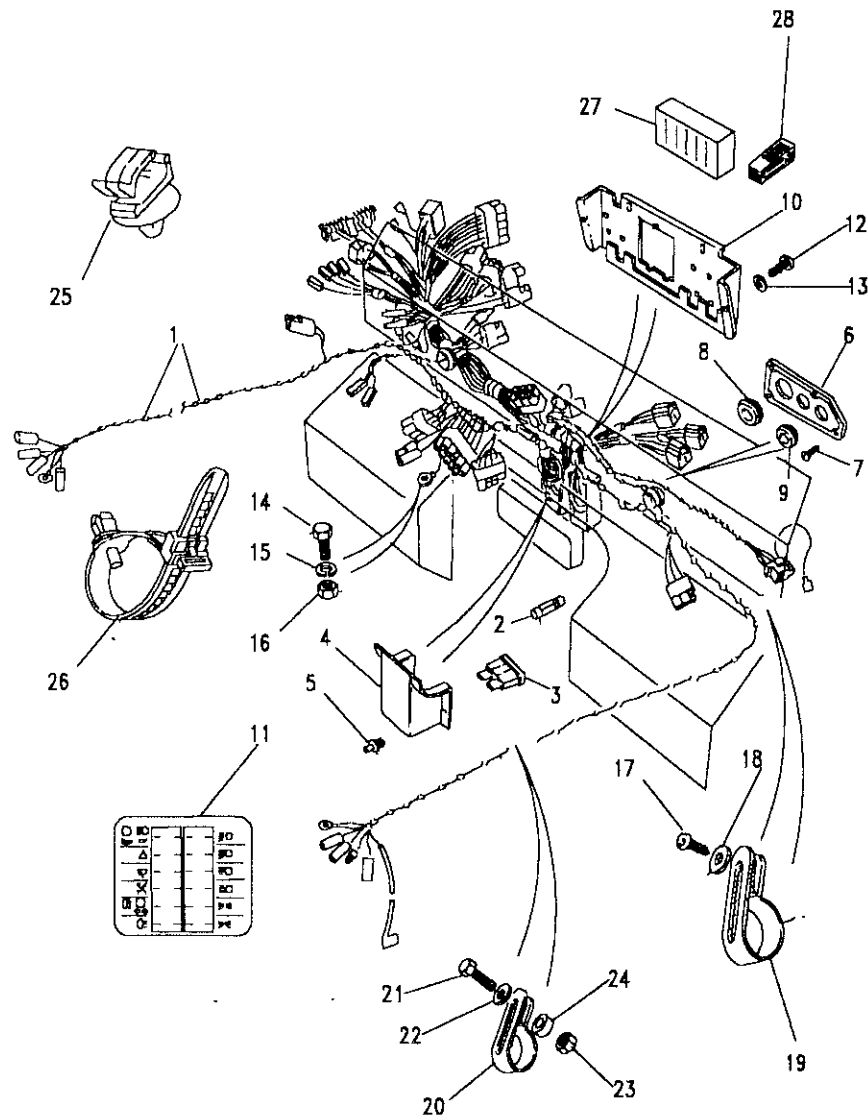
Ill. Part No.	Description	Qty	Remarks
<b>All Derivatives</b>			
C46082	Resistor	1	Up to JA912943
PRC9096	Resistor	1	From JA912944
AAU5034	Diode	1	From HA455596 up to HA903278
AAU5034	Diode	3	From HA903279
<b>Fuse - Cartridge type - up to FA423988</b>			
2	RTC4482	Fuse 5 amp	A/R
	RTC4500	Fuse 10 amp	A/R
	RTC4502	Fuse 15 amp	A/R
	RTC4785	Fuse 20 amp	A/R
	RTC4505	Fuse 25 amp	A/R
	RTC4510	Fuse 35 amp Con	A/R Air con
<b>Fuse - Blade type - from FA423989</b>			
3	RTC4497	Fuse 5 amp	A/R
	RTC4498	Fuse 7.5 amp	A/R
	RTC4501	Fuse 10 amp	A/R
	RTC4503	Fuse 15 amp	A/R
	RTC4504	Fuse 20 amp	A/R

Note(1) Fusebox is part of main harness and is not serviced separately.



**Model** DEFENDER 110 1987 onwards  
**Page** AFMXCC1A

**ELECTRICAL - MAIN HARNESS - NOTE(1)**



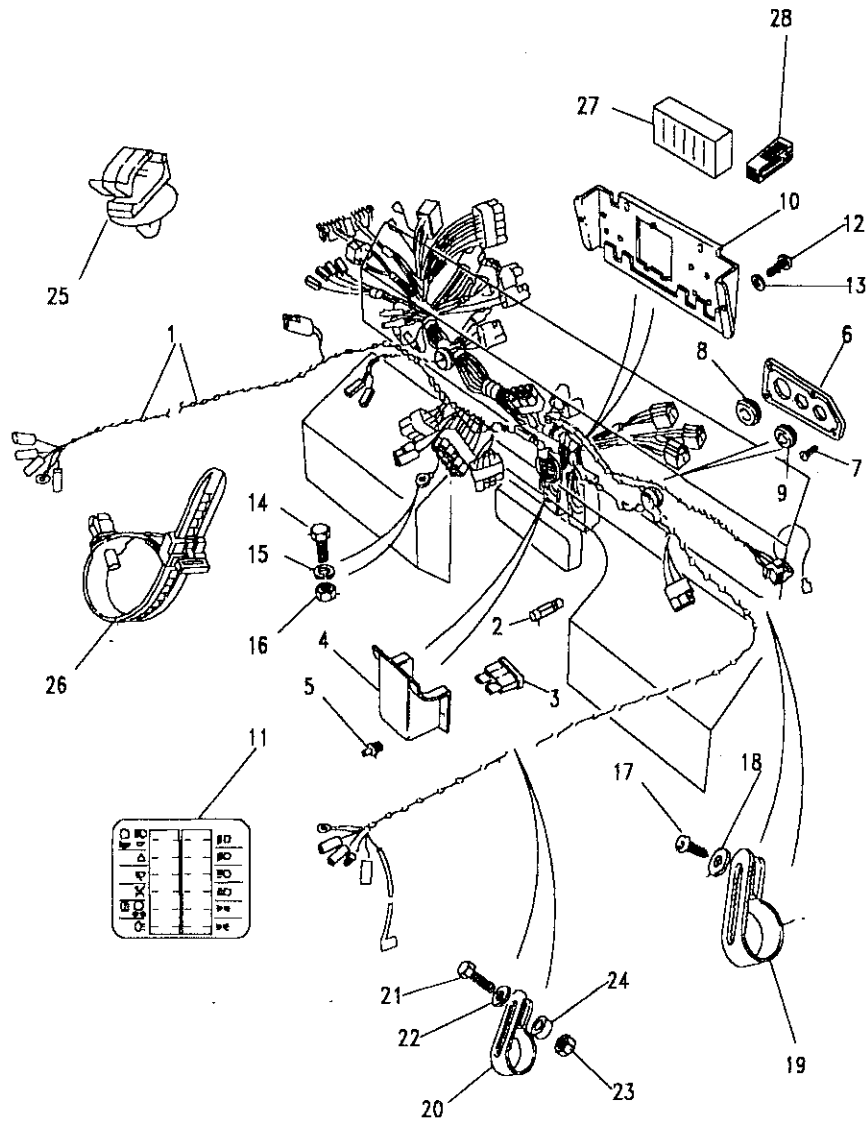
III. Part No.	Description	Qty	Remarks
4	PRC3037	1	Cover
5	BRC8089L	4	Rivet
6	PRC1333	1	Plate grommet bulkhead
	AMR3098	1	Plate grommet bulkhead
7	AB610051L	8	Screw
8	BD155888	1	Plug sealing
9	338023	2	Plug sealing
10	PRC2443	1	Panel mounting
	PRC8072	1	Panel mounting
	AMR3138	1	Panel mounting
11	PRC3389	1	Label fuse
	PRC5670	1	Label fuse
	PRC8245	1	Label fuse
	PRC9902	1	Label fuse
	AMR3771	1	Label fuse
12	SE106121L	2	Screw
13	WF600041L	2	Washer spring
14	SH106121L	1	Screw
15	WL106001L	1	washer spring
16	NH106041L	1	Nut
17	AB608047	1	Screw
18	4034L	1	Washer plain
19	C39377L	1	Strap cable
20	C39377L	2	Strap cable

**Model** DEFENDER 110 1987 onwards  
**Page** AFMXCC1A

**ELECTRICAL - MAIN HARNESS - NOTE(1)**

III. Part No.	Description	Qty	Remarks
21	SH106121L FS106201L	1 2	
22	WL106001L	3	
23	NH106041L	3	
24	390939	2	From HA455596
25	AFU1090L	A/R	
26	AAU3686	A/R	
27	HAM4301L	1	Note(2&3)
28	PRC4412 STC197	1 1	Note(2&3)
	Fuse box - cartridge type	1	Australia only

Note(1) Fusebox is part of main harness and is not serviced separately.  
 Note(2) From FA423989  
 Note(3) Attached to underside of fusebox cover.

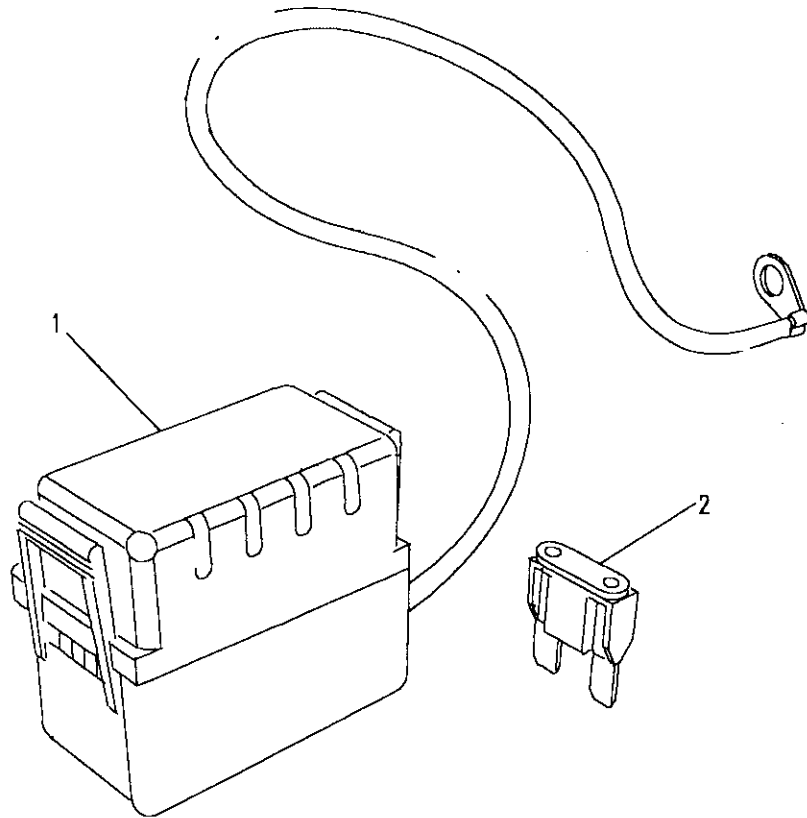




DEFENDER 110 1987 onwards

691

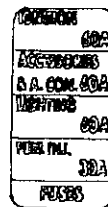
BODY ELECTRICAL



**Model** DEFENDER 110 1987 onwards  
**Page** AFMXCC2A

**ELECTRICAL - UNDER BONNET FUSE BOX - FROM MA939976**

Ill. Part No.	Description	Qty	Remarks
1 AMR1637	Fuse box underbonnet	1	V8
AMR2983	Fuse box underbonnet	1	4cyl.
<b>Fuse options</b>			
2 YQG10007	Fuse 20A - yellow	A/R	HRW
YQG10008	Fuse 30A - green	A/R	PI/lighting
YQG10011L	Fuse 60A - blue	A/R	Ign/gl.pl./air con.
3	Label fuse	1	NSP



**Model** DEFENDER 110 1987 onwards

**Page** AFMXCE1A

**ELECTRICAL - CHASSIS HARNESS**

**III. Part No.**

**Description**

**Qty Remarks**

**Defender 110**

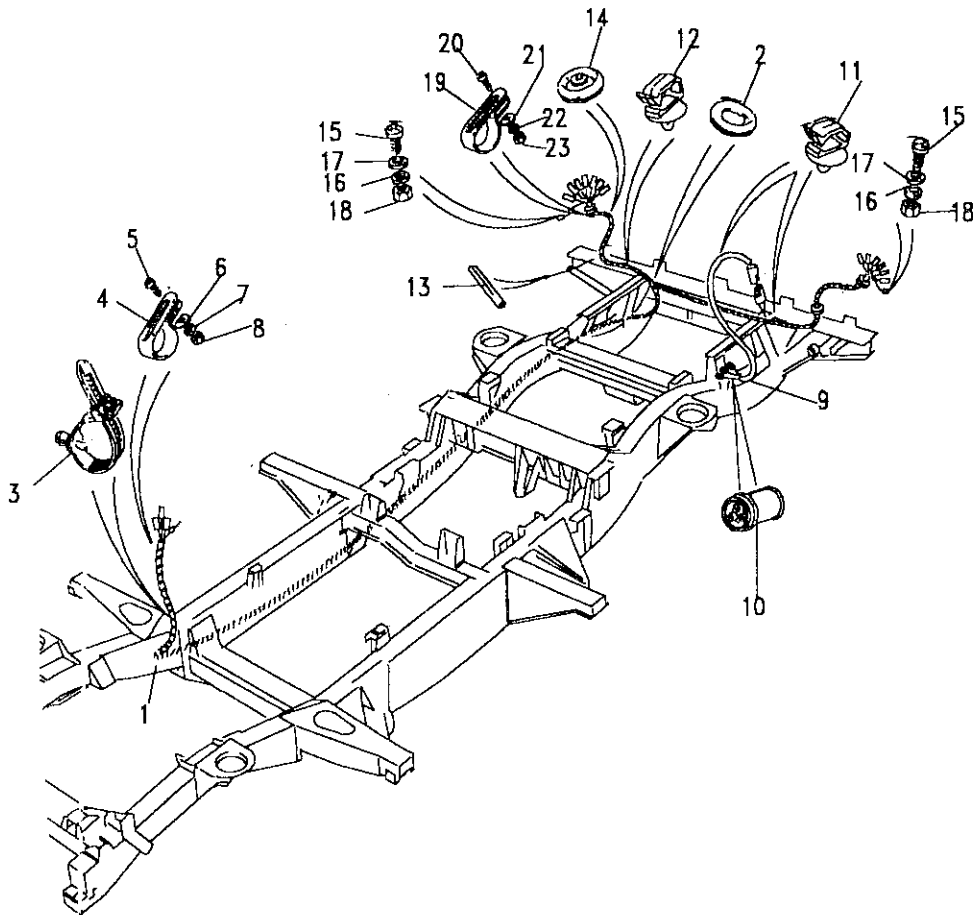
1	PRC4970	Harness chassis	1	Up to VIN 344778
	PRC7003	Harness chassis	1	From VIN 344779 up to HA903278
	PRC8870	Harness chassis - petrol	1	From HA903279
	PRC8870	Harness chassis - diesel	1	From HA903279 up to JA915357
	AMR1491	Harness chassis - diesel	1	From JA915358 up to LA939975
	AMR3448	Harness chassis - pet/die	1	From MA939976

**Defender 110 - Rear Wash Wipe/Heated Rear Window**

1	PRC4993	Harness chassis	1	Up to VIN 343944
	PRC7004	Harness chassis	1	From VIN 343945 up to HA903278
	PRC8869	Harness chassis	1	From HA903279 (up to JA915353 diesel only)
	AMR1492	Harness chassis - diesel	1	From JA915354 up to LA939975
	AMR3449	Harness chassis - pet/die	1	From MA939976

**Defender 130**

1	PRC7542	Harness chassis	1	Up to HA903329
	PRC8872	Harness chassis	1	From HA903330 up to JA915815
	AMR1518	Harness chassis	1	From JA915816 up to LA939975
	AMR3450	Harness chassis	1	From MA939976





**Model** DEFENDER 110 1987 onwards  
**Page** AFMXCE1A

**ELECTRICAL - CHASSIS HARNESS**

Ill. Part No.	Description	Qty	Remarks
2	589452 Grommet	1	
3	AAU3686 Strap cable	3	
4	C39377L Clip retaining	1	
5	SE105121L Screw	1	
6	WA105001L Washer plain	1	
7	WL105001L Washer spring	1	
8	NH105041L Nut	1	

**Petrol**

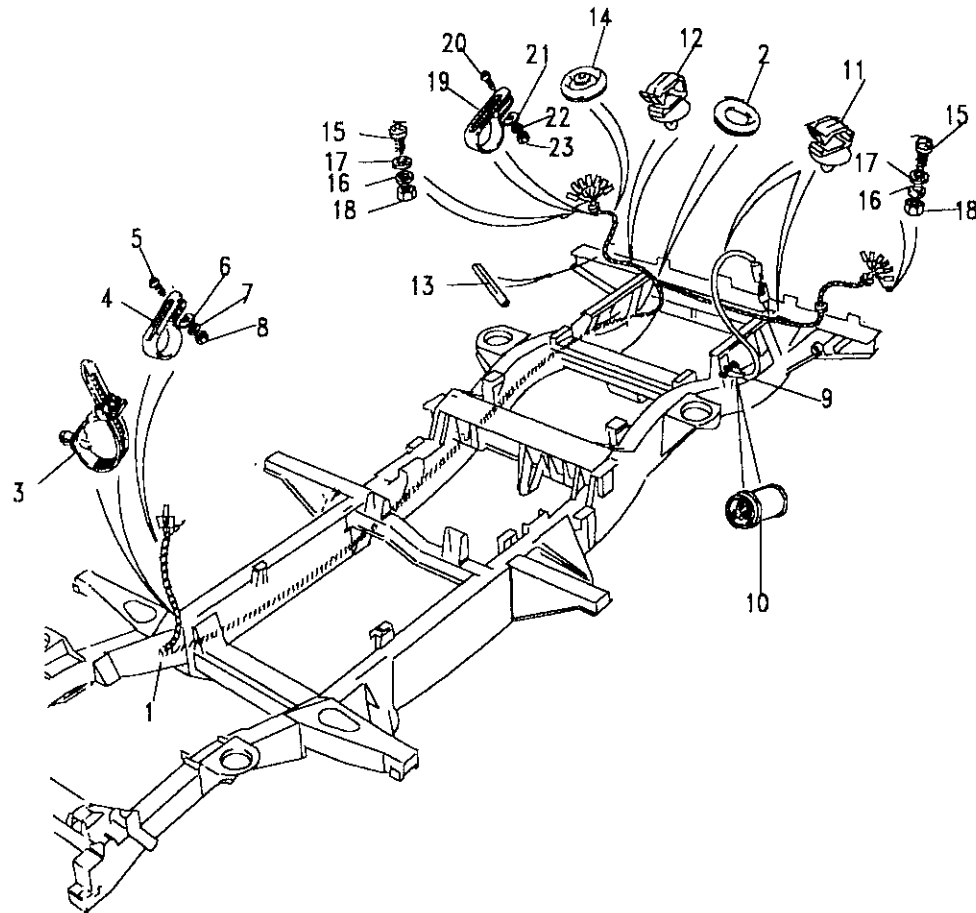
9	PRC5602	Harness rear tank	1	Up to VIN 344778
	PRC7011	Harness rear tank	1	From VIN 344779 up to HA903305
	PRC9331	Harness rear tank	1	From HA903306 up to JA915411
	AMR1493	Harness rear tank	1	From JA915412

**Diesel**

9	PRC5544	Harness rear tank	1	Up to VIN 343944
	PRC7012	Harness rear tank	1	From VIN 343945 up to HA903353
	PRC9332	Harness rear tank	1	From HA903354 up to JA915815
	AMR1494	Harness rear tank	1	From JA915816

10	RTC6545	Connector	1	Note(1)
----	---------	-----------	---	---------

Note(1) To convert PRC5602 where necessary.



Model DEFENDER 110 1987 onwards

Page AFMXCE1A

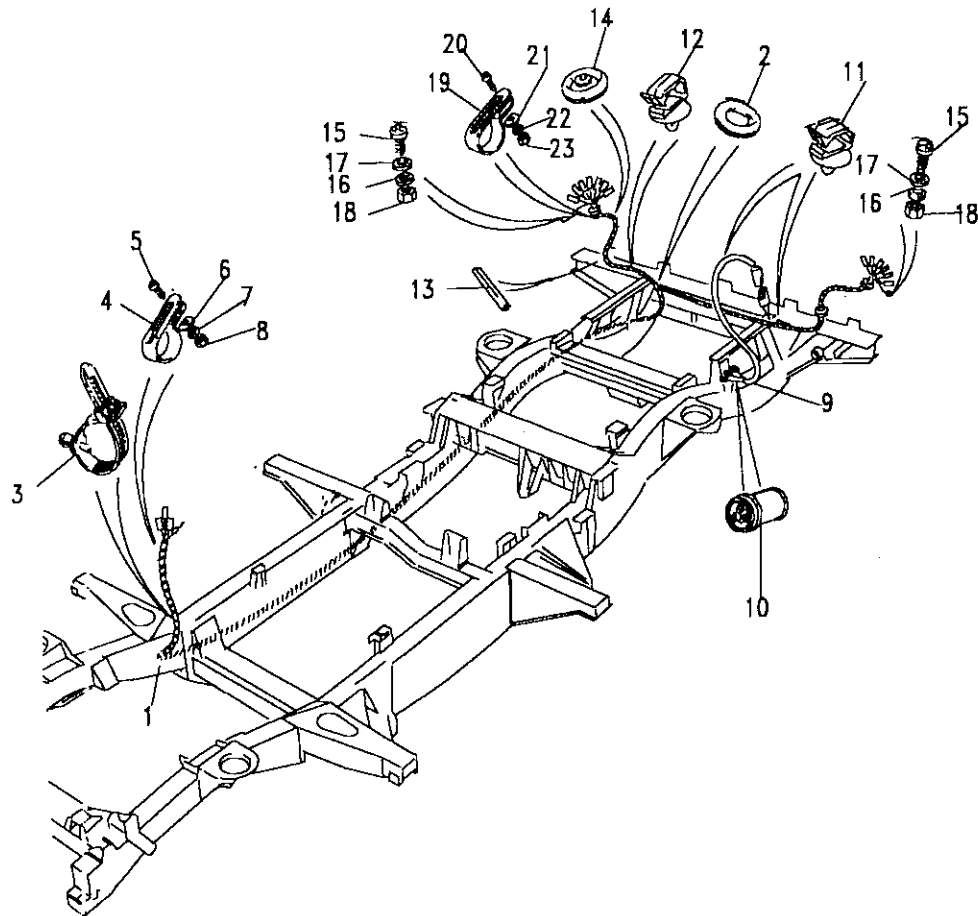
ELECTRICAL - CHASSIS HARNESS

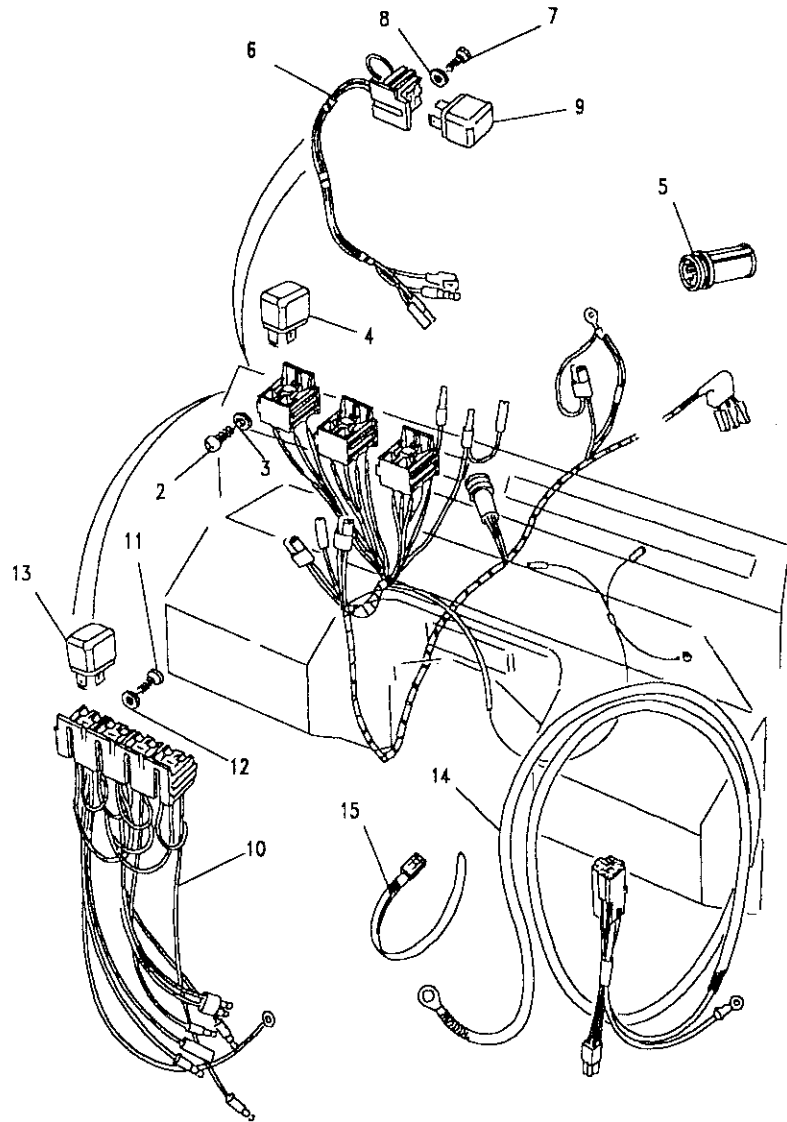
III. Part No.

Description

Qty Remarks

11	AFU1090L	Clip cable	3	
12	PRC3537	Clip	1	NLS
13	570753	Finisher edge	1	
14	269257	Grommet	1	
15	SE105121L	Screw	2	
16	WM702001L	Washer spring	2	
17	WA105001L	Washer plain	2	
18	NH105041L	Nut	2	
19	C393771L	Strap cable	1	
20	SH105121L	Screw	2	
21	WA105001L	Washer plain	2	
22	WL105001L	Washer spring	2	
23	NH105041L	Nut	2	
	PRC8928	Link lead	1	From HA903559
		-overtemp sw to ch harness	1	





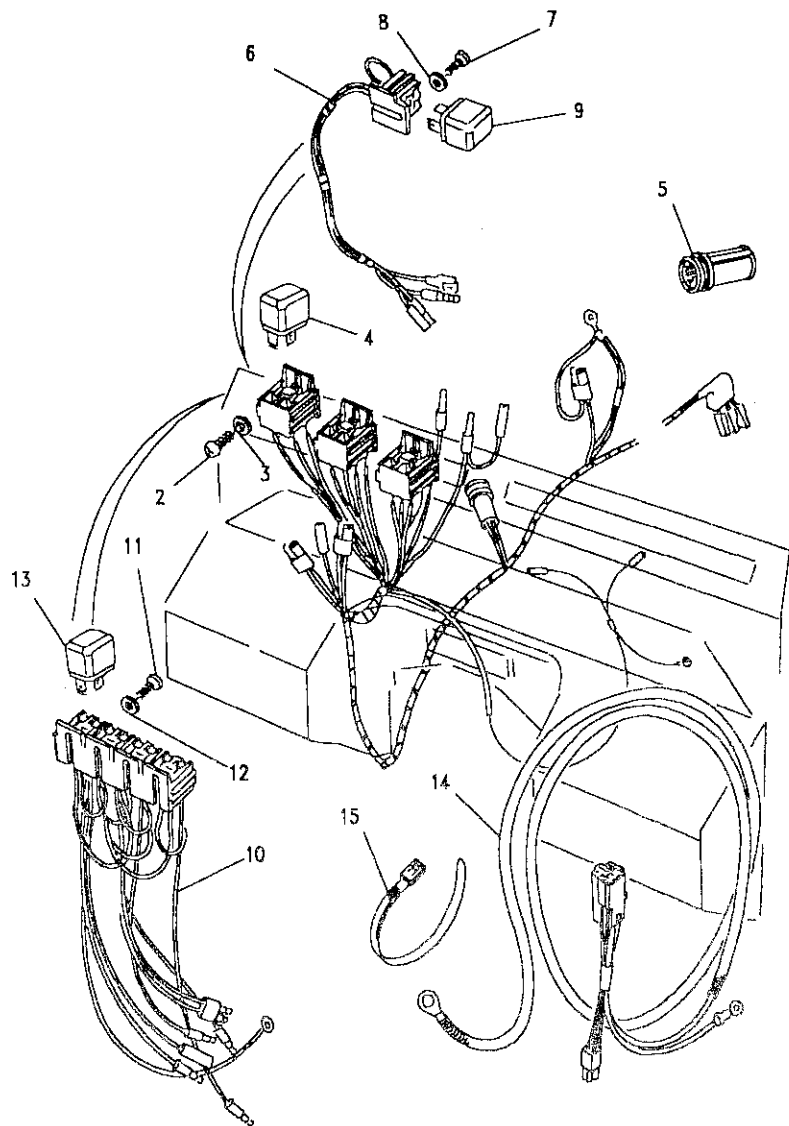
**Model** DEFENDER 110 1987 onwards  
**Page** AFMXCE2A

**ELECTRICAL - HARNESS**

III. Part No.	Description	Qty	Remarks
<b>Harness twin fuel tanks - Petrol</b>			
1 PRC5600	Harness twin tank	1	Up to VIN 343944
PRC7002	Harness twin tank	1	From VIN 343945 up to VIN 392146
PRC7867	Harness twin tank	1	From VIN 392147 up to HA903698
PRC9327	Harness twin tank	1	From HA903699 up to LA939975
AMR2972	Harness twin tank	1	From MA939976
<b>Harness twin fuel tanks - Diesel</b>			
1 PRC5603	Harness twin tank	1	Up to VIN 343944
PRC7022	Harness twin tank	1	From VIN 343945 up to HA903353
PRC9329	Harness twin tank	1	From HA903354 up to LA939975
AMR2973	Harness twin tank	1	From MA939976
2 AB608047L	Screw	2	
3 WA105001L	Washer plain	2	
4 YWB10032L	Relay	2	Petrol
YWB10032L	Relay	1	Diesel
5 RTC6545	Connector	1	Note(1)

Note(1) To convert PRC5602 where necessary.





**Model** DEFENDER 110 1987 onwards  
**Page** AFMXCE2A

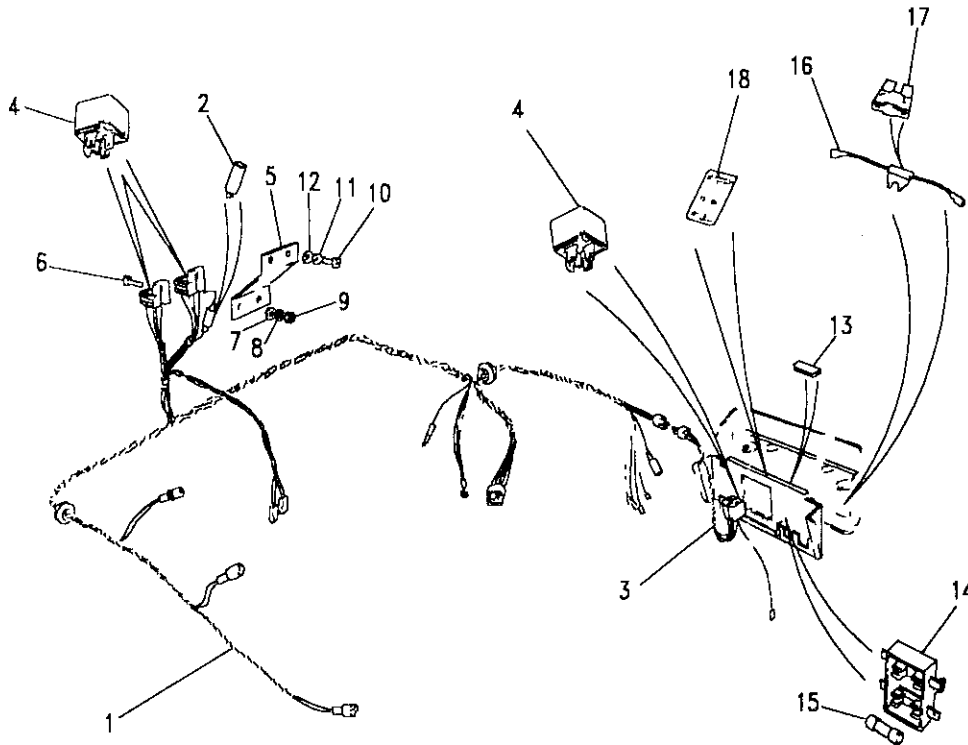
**ELECTRICAL - HARNESS**

III. Part No.	Description	Qty	Remarks
<b>Harness fuel pump isolation</b>			
6 PRC7851	Harness	1	From VIN 392009 up to VIN 404682
7 AB608031L	Screw	1	
8 WA105001L	Washer plain	1	
9 YWB10032L	Relay	1	
<b>Harness daylight running lights</b>			
10 PRC5680	Harness	1	Norway
11 AB608031L	Screw	2	
12 WA105001L	Washer plain	2	
13 YWB10032L	Relay	4	
<b>Cable - glow plug timer</b>			
14 PRC6083	Cable-glow plug timer	1	From HA455646 up to note(1)
15 568680	Cable tie	5	From HA455646
<b>Cable - volt sensitive switch</b>			
AMR2351	Cable - volt sens. sw. -volt sensitive switch	1	From KA922209

Note(1) Glow plug timer cable incorporated into main harness.

**Model** DEFENDER 110 1987 onwards  
**Page** AFMXCE3A

**ELECTRICAL - AIR CONDITIONING ELECTRICS**

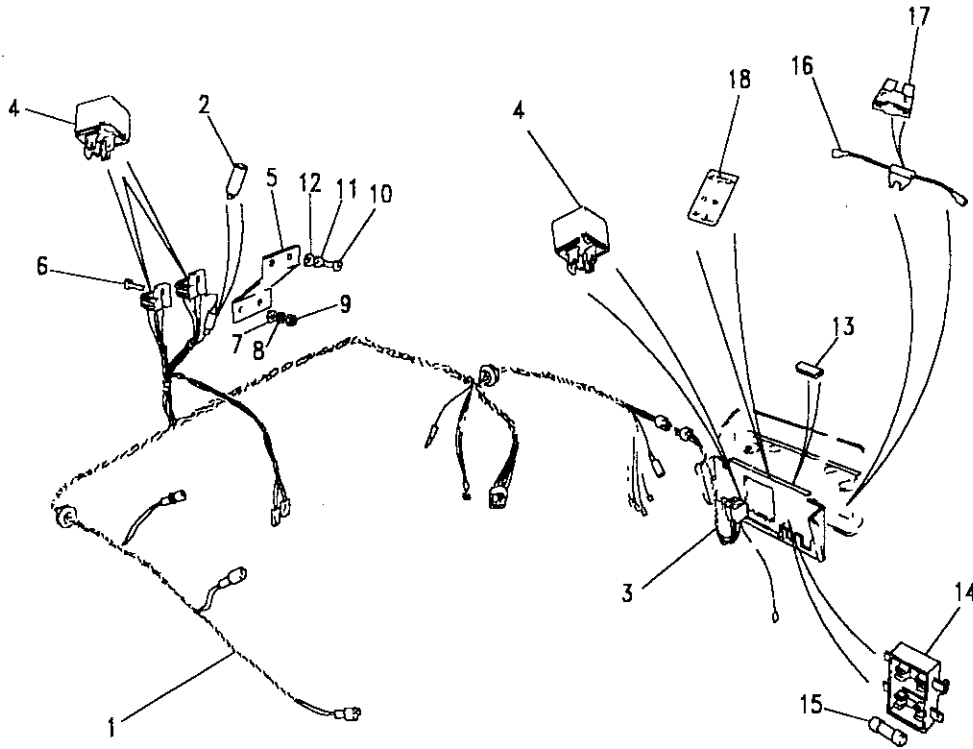


III. Part No.	Description	Qty	Remarks
1 PRC4208	Cable main fans	1	Up to FA423988
PRC7277	Cable main fans	1	From FA423989
PRC9324	Cable main fans	1	Up to HA903558 From HA903559 up to LA939975
AMR2976	Cable main fans	1	From MA939976
2 AAU5034	Diode	1	
3 PRC3905	Cable relay extension	1	Up to VIN 455595
PRC9325	Cable relay extension	1	From HA455596 up to LA939975
AMR2977	Cable relay extension	1	From MA939976
<b>Upto VIN HA903358</b>			
4 YWB10032L	Relay	1	Blower fan
YWB10032L	Relay	1	Condenser fan
YWB10032L	Relay	1	Comp clutch
<b>From VIN HA903559</b>			
4 YWB10027L	Relay	1	Blower fan
YWB10027L	Relay	1	Condenser fan
YWB10027L	Relay	1	Comp clutch
5 PRC3738	Bracket support	1	No longer serviced
<b>Fixings - Relay connectors to support bracket</b>			
6 SE105121L	Screw	2	
7 WA105001L	Washer plain	2	
8 WL105001L	Washer spring	2	
9 NM105011	Nut	2	

**Model** DEFENDER 110 1987 onwards  
**Page** AFMXCE3A

**ELECTRICAL - AIR CONDITIONING ELECTRICS**

III. Part No.	Description	Qty	Remarks
<b>Fixings - Support bracket to wing</b>			
10 SE105121L	Screw	2	
11 WA105001L	Washer plain	2	
12 WL105001L	Washer spring	2	
13 DRC1530	Finisher edge	A/R	
14 PRC3737	Fuse box	1	Up to FA423988
15 RTC4510	Fuse 35 amp	1	Condenser fans up to FA423988
RTC4500	Fuse 10 amp	1	Clutch up to FA423988
16 PRC4311	Inline Fuse	1	
17 RTC4507	Fuse 30 amp	1	
18 PRC4306	Label fuse	1	Up to FA423988





DEFENDER 110 1987 onwards

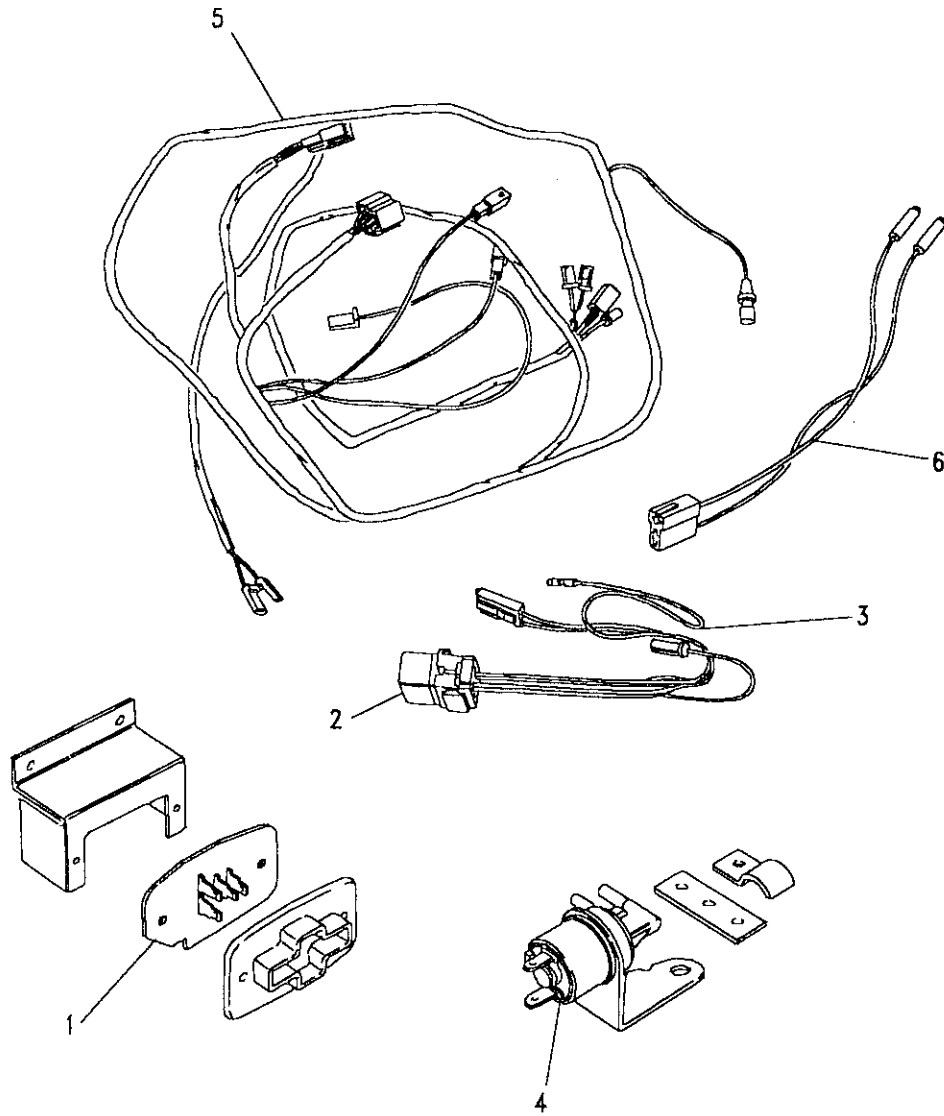
699

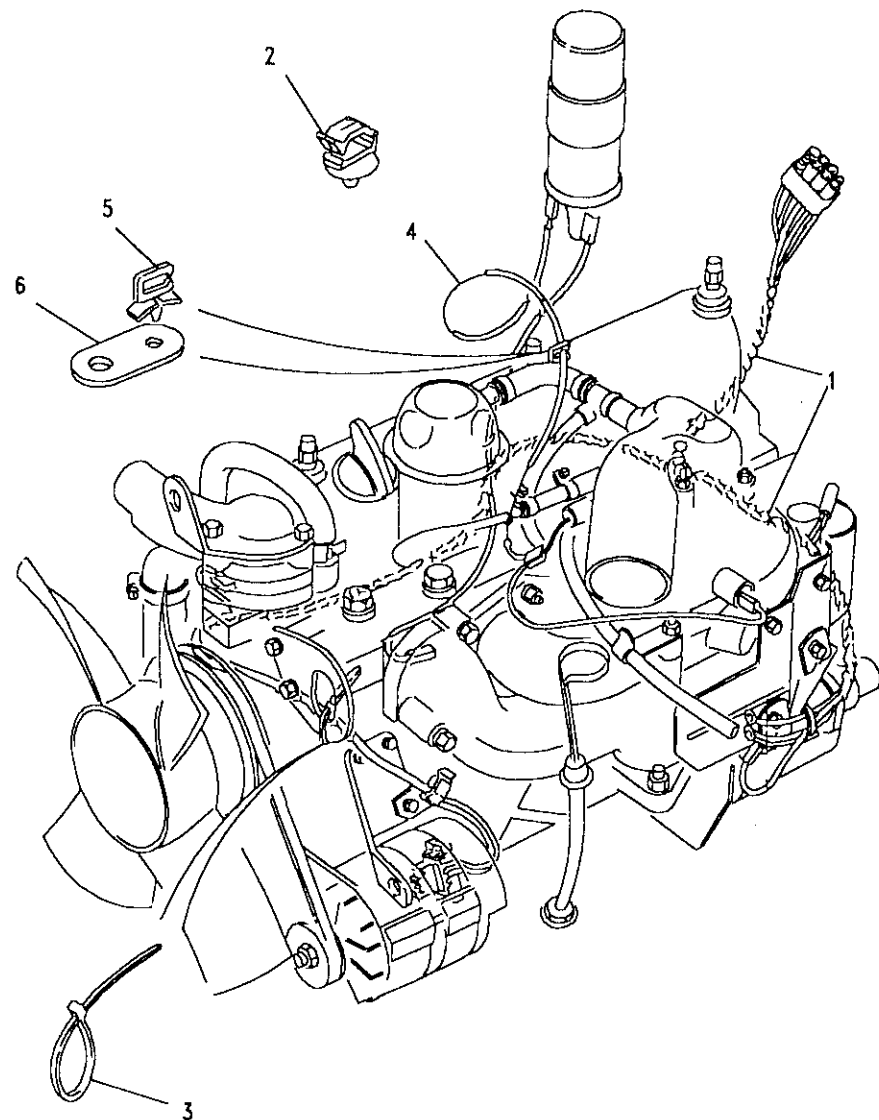
BODY ELECTRICAL

Model DEFENDER 110 1987 onwards  
Page AFMXCE4A

ELECTRICAL - AIR CONDITIONING ELECTRICS - RHS

III. Part No.	Description	Qty	Remarks
1	AEU1747	1	Resistor
2	RTC7454	1	Relay
3	MUC1676	1	Harness relay
4	MUC1678	1	Solenoid vacuum
5	MUC1672	1	Harness aircon
6	MUC1677	1	Harness lighting





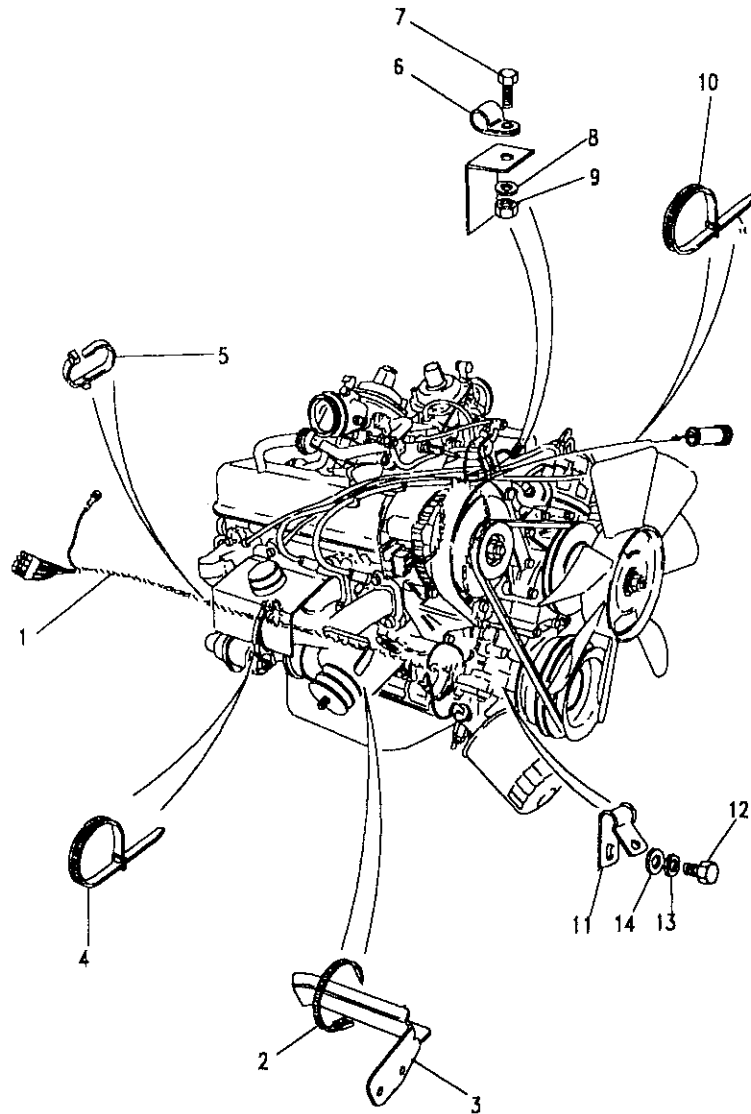
**Model** DEFENDER 110 1987 onwards

**Page** AFMXCF1A

**ELECTRICAL - ENGINE HARNESS - 2.5 PETROL**

III. Part No.	Description	Qty	Remarks
<b>Up to November 1989</b>			
1 PRC4785	Harness engine - 45A	1	Standard
PRC4021	Harness engine - 65A	1	Optional
PRC4096	Harness engine - 65A	1	Air Con.
<b>From November 1989 up to November 1992</b>			
PRC6080	Harness engine - 45A	1	Standard
PRC6082	Harness engine - 65A	1	Optional
PRC6081	Harness engine - 65A	1	Air Con.
<b>From November 1992 up to LA939975</b>			
PRC6082	Harness engine - 65A	1	Standard
PRC6081	Harness engine - 65A	1	Air Con.
<b>From MA939976 up to MA949874</b>			
AMR2962	Harness engine - 65A	1	Standard
AMR2982	Harness engine - 65A	1	Air Con.
<b>From MA949975</b>			
AMR4027	Harness engine - 65A	1	Standard
AMR4029	Harness engine - 65A	1	Air Con.
2 568680	Clip cable	1	
AFU1090L	Clip cable	4	
3 RTC3772	Cleat cable	2	
4 PRC4376	Lead-coil/shut off	1	
5 PRC3702	Clip	1	
6 PRC3494	Plate mounting	1	

Note(1) For split charge engine harness see split charge components.



**Model** DEFENDER 110 1987 onwards

**Page** AFMXCF4A

**ELECTRICAL - ENGINE HARNESS - V8**

**III. Part No. Description Qty Remarks**

**Vehicles with fuel pump attached to the chassis**

1	PRC4952	Harness engine	1	Standard
	PRC4954	Harness engine	1	Air Con.

**Vehicles with in tank fuel pump - up to VIN 276551**

	PRC4994	Harness engine - 45A	1	Standard
	PRC4996	Harness engine - 65A	1	Optional
	PRC4996	Harness engine - 65A	1	Air Con.

**Vehicles from VIN 276552 up to November 1992**

	PRC4994	Harness engine - 45A	1	Standard
	PRC5877	Harness engine - 65A	1	Optional
	PRC5878	Harness engine - 65A	1	Air Con.

**From November 1992 (engine number 24G10808A) up to LA939975**

	PRC5877	Harness engine - 65A	1	Standard
	PRC5878	Harness engine - 65A	1	Air Con.

**From MA939976 up to MA949874**

	AMR2959	Harness engine - 65A	1	Standard
	AMR2981	Harness engine - 65A	1	Air Con.

**From MA949875**

	AMR4023	Harness engine - 65A	1	Standard
	AMR4025	Harness engine - 65A	1	Air Con.

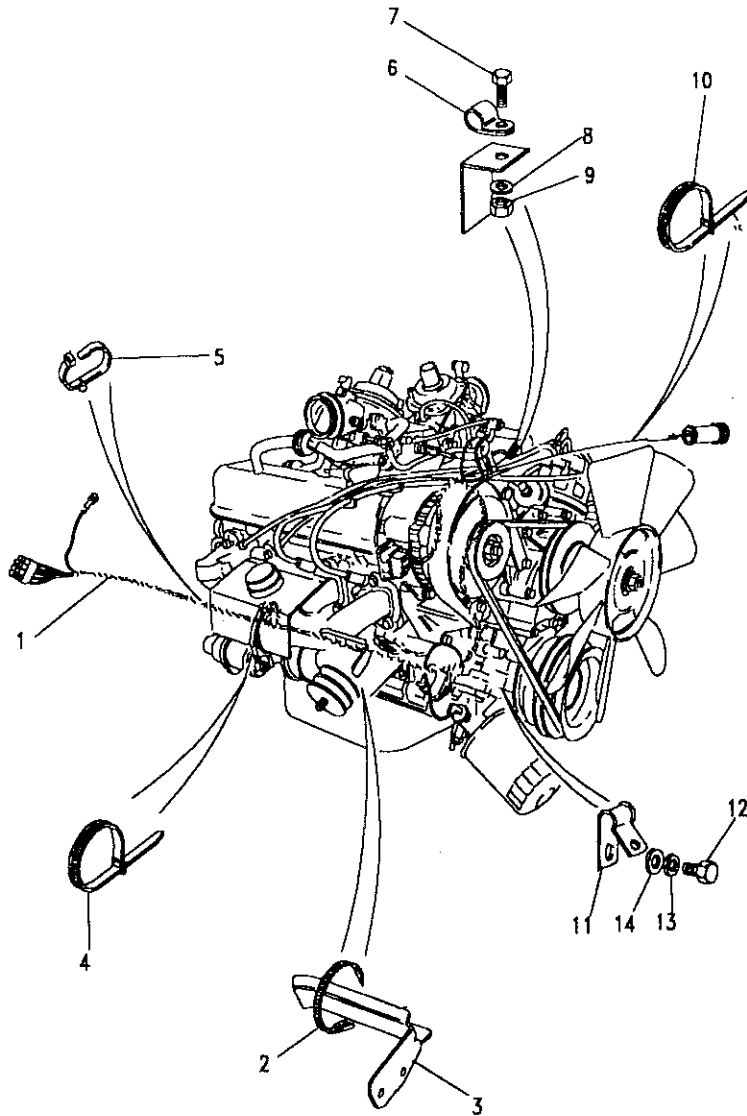
Note(1) For split charge engine harness see split charge components.

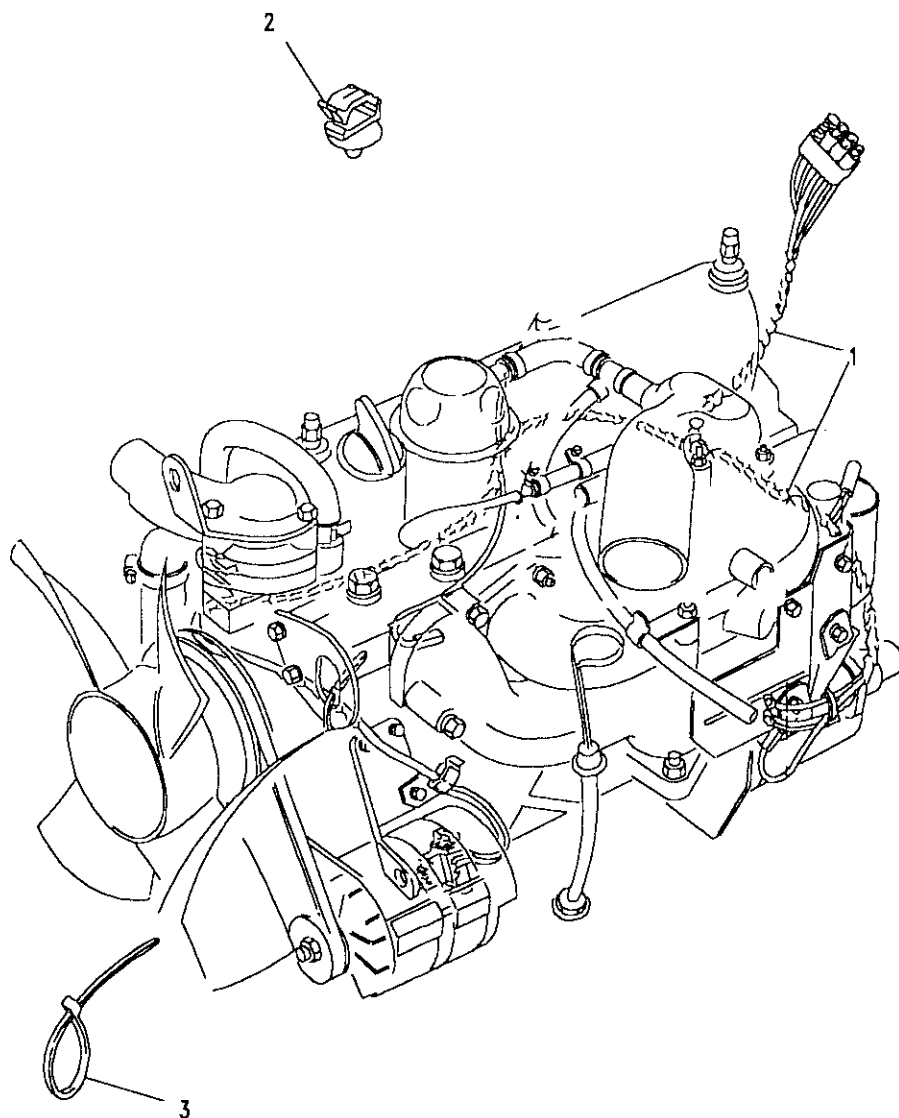


**Model** DEFENDER 110 1987 onwards  
**Page** AFMXCF4A

**ELECTRICAL - ENGINE HARNESS - V8**

III. Part No.	Description	Qty	Remarks
2	RTC3772	2	Cleat cable
3	PRC1794	1	Bracket support
4	568680	1	Cleat cable
5	AAU3686	1	Cleat cable
6	CP105061	1	P clip
7	SH105161L	1	Screw
8	WL105001L	1	Washer spring
9	NH105041L	1	Nut
10	573246	2	Cable tie
11	CP108081L	1	P clip
12	SH505051L	1	Screw
13	WM600051L	1	Washer spring
14	WA108051L	1	Washer plain





**Model** DEFENDER 110 1987 onwards  
**Page** AFMXCF2A

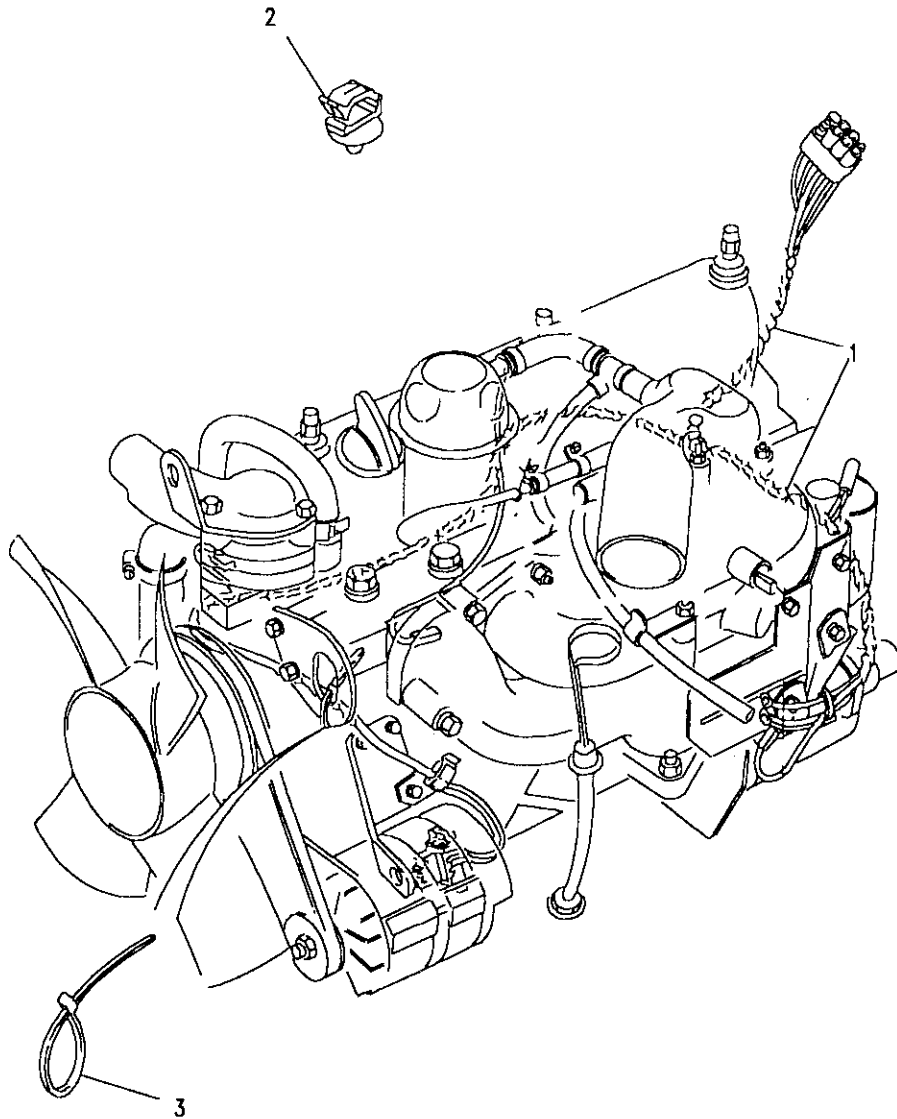
**ELECTRICAL - ENGINE HARNESS - DIESEL**

Ill. Part No.	Description	Qty	Remarks
<b>Up to November 1989</b>			
1 PRC4785	Harness engine - 45A	1	Standard
PRC4021	Harness engine - 65A	1	Optional
PRC4096	Harness engine - 65A	1	Air Con.
<b>From November 1989 up to November 1992</b>			
PRC6080	Harness engine - 45A	1	Standard
PRC6082	Harness engine - 65A	1	Optional
PRC6081	Harness engine - 65A	1	Air Con.
<b>From November 1992 up to LA939975</b>			
PRC6082	Harness engine - 65A	1	Standard
PRC6081	Harness engine - 65A	1	Air Con.
<b>From MA939976 up to MA949874</b>			
AMR2962	Harness engine - 65A	1	Standard
AMR2982	Harness engine - 65A	1	Air Con.
<b>From MA949875</b>			
AMR4027	Harness engine - 65A	1	Standard
AMR4029	Harness engine - 65A	1	Air Con.
2 568680	Clip cable	1	
AFU1090L	Clip cable	4	Upto Nov 1989
3 RTC3772	Clip cable	2	
ERC9404	Bracket mcuting	4	From Nov 1989
ERC9480	Bracket mounting	1	From Nov 1989

Note(1) For split charge engine harness see split charge components.







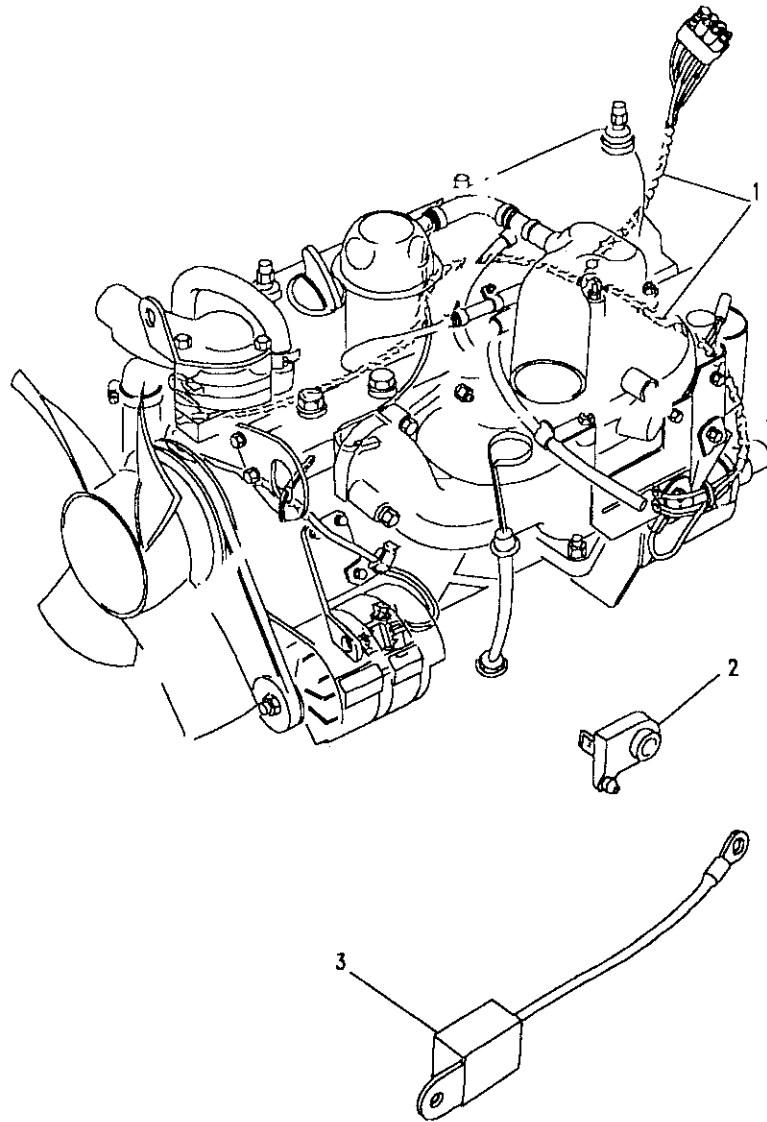
**Model** DEFENDER 110 1987 onwards  
**Page** AFMXCF3A

**ELECTRICAL - ENGINE HARNESS - DIESEL TURBO AND 200TDI**

Ill. Part No.	Description	Qty	Remarks
<b>Up to November 1989</b>			
1 PRC4785	Harness engine - 45A	1	Standard
PRC4021	Harness engine - 65A	1	Optional
PRC4096	Harness engine - 65A	1	Air Con.
<b>From November 1989 up to November 1992</b>			
PRC6080	Harness engine - 45A	1	Standard
PRC6082	Harness engine - 65A	1	Optional
PRC6081	Harness engine - 65A	1	Air Con.
<b>From November 1992 (engine number 11L26192A)</b>			
PRC6082	Harness engine - 65A	1	Standard
PRC6081	Harness engine - 65A	1	Air Con.
2 568680	Clip cable	1	
3 AFU1090L	Cleat cable	4	
RTC3772	Cleat cable	2	
ERC9404	Bracket mounting	4	
ERC9480	Bracket mounting	1	

Note(1) For split charge engine harness see split charge components.





**Model** DEFENDER 110 1987 onwards

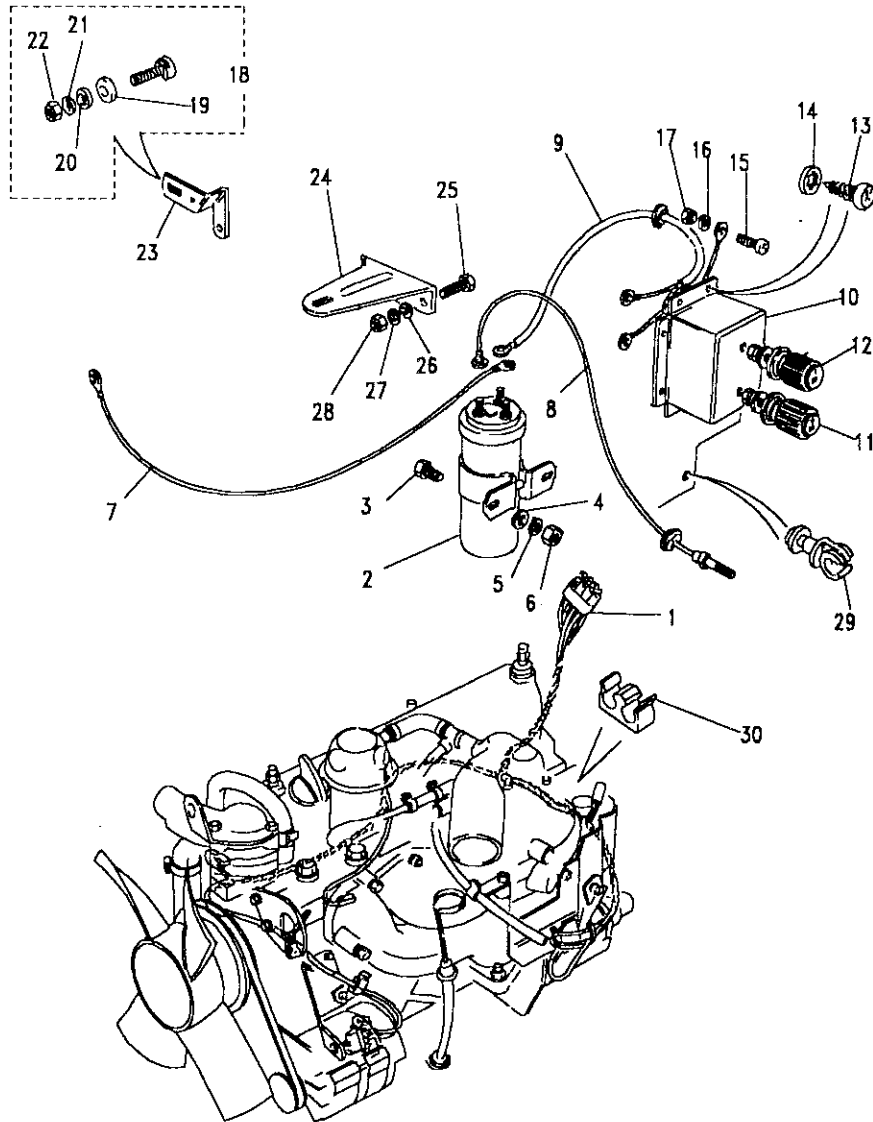
**Page** AFMXCF4B

**ELECTRICAL - ENGINE HARNESS - 300TDI**

III. Part No.	Description	Qty	Remarks
<b>Up to MA949874</b>			
1 AMR2956	Harness engine - 65A	1	Standard
AMR2980	Harness engine - 65A	1	Air Con.
AMR3988	Harness engine - 65A	1	EGR
AMR3987	Harness engine - 65A	1	EGR Air Con.
<b>From MA949875</b>			
AMR4019	Harness engine - 65A	1	Standard
AMR4021	Harness engine - 65A	1	Air Con.
AMR3988	Harness engine - 65A	1	EGR
AMR3987	Harness engine - 65A	1	EGR Air Con.
<b>Phase tap protection unit - EGR vehicles only</b>			
2 AMR4042	Phase tap protection unit	1	
3 AMR4043	Suppressor	1	

Note(1) For split charge engine harness see split charge components.



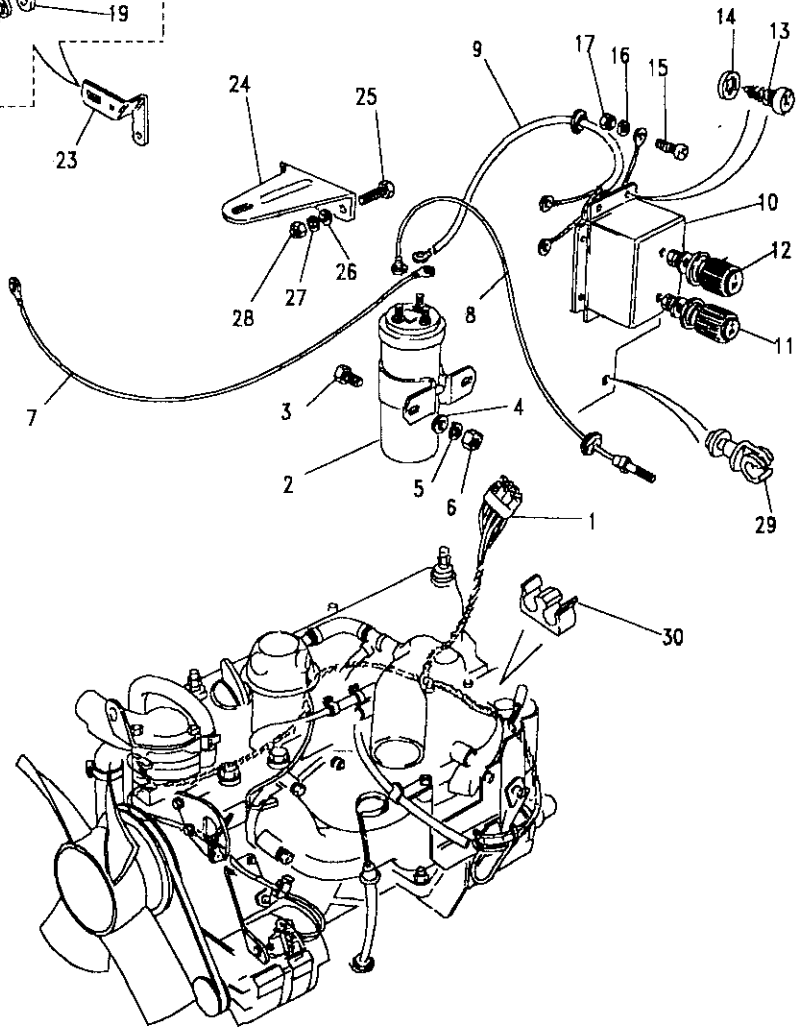
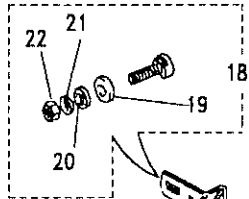


**Model** DEFENDER 110 1987 onwards  
**Page** AFMXCI2A

**ELECTRICAL - SPLIT CHARGE FACILITY - UP TO VIN 310168**

Ill. Part No.	Description	Qty	Remarks
1	PRC4021	1	4 cylinder
	PRC4995	1	V8
2	PRC4092	1	Diode
3	FS108207L	2	Screw
4	WA108001	2	Washer plain
5	WL108001L	2	Washer spring
6	FN108041L	2	Nut
<b>Lead - Terminal post to diode</b>			
7	PRC4082	1	V8
	PRC4083	1	4 cylinder
<b>Lead - Diode to battery</b>			
8	PRC4084	1	
<b>Lead - Diode to terminal box</b>			
9	PRC4085	1	

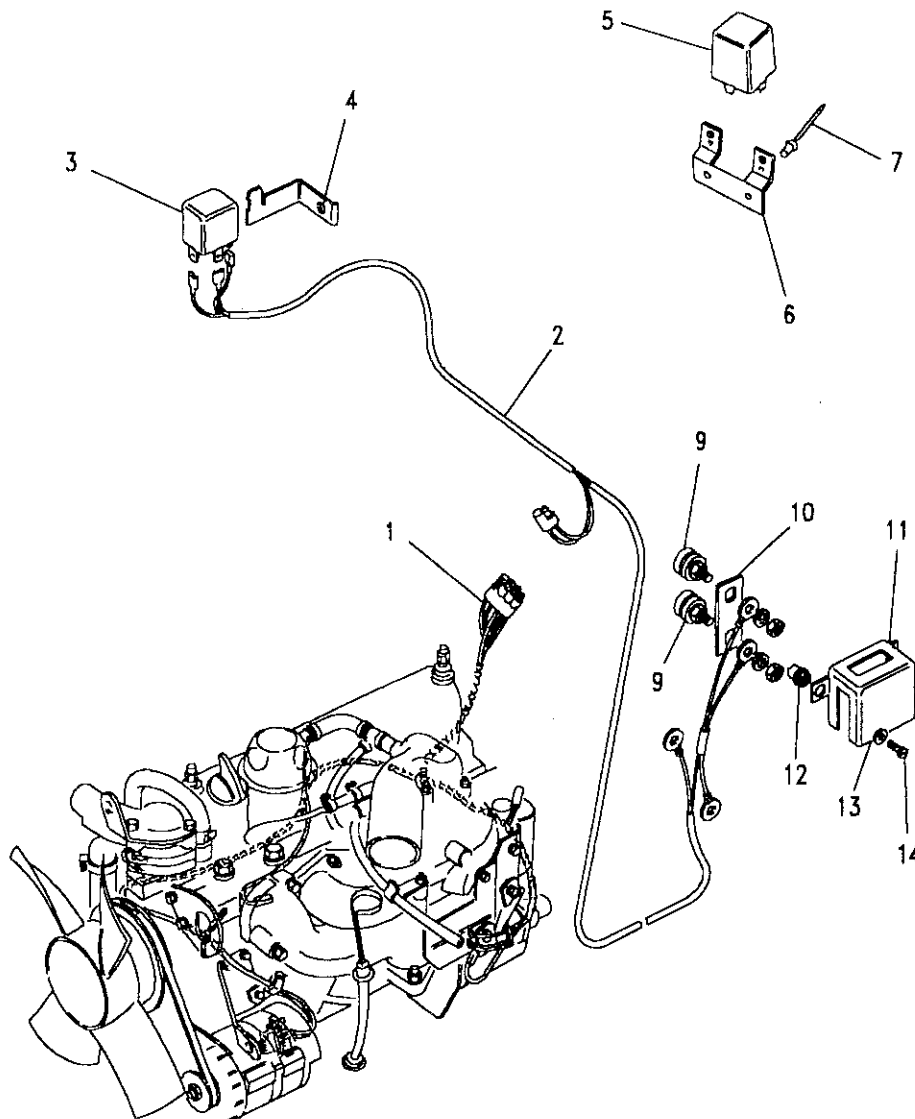




Model DEFENDER 110 1987 onwards  
 Page AFMXC12A

**ELECTRICAL - SPLIT CHARGE FACILITY - UP TO VIN 310168**

Ill. Part No.	Description	Qty	Remarks
10	531604	1	Bracket mounting
11	532736	1	Terminal B plus
12	525569	1	Terminal B minus
13	AR608031L	6	Screw
14	WE703081	6	Washer shakeproof
15	SE106201L	1	Screw Earth
16	WL106001L	1	Washer spring
17	NH106041L	1	Nut
18	C22257L	1	Terminal post
19	565847	1	Bush insulation
20	3830L	2	Washer plain
21	575014	2	Washer spring
22	90575015	2	Nut
23	PRC2978	1	Bracket mounting V8
24	PRC3247	1	Bracket mounting 4 cylinder
25	FS106167L	2	Screw )
26	WA106041L	2	Washer plain )4 cylinder
27	WL100001L	2	Washer spring )RHS
28	NH106041L	2	Nut )
29	PRC3180	1	Clip pipe
30	13H9157	5	Clip pipe V8
	13H9157	3	Clip pipe 4 cylinder



**Model** DEFENDER 110 1987 onwards  
**Page** AFMXC13A

**ELECTRICAL - SPLIT CHARGE FACILITY - FROM VIN 310169**

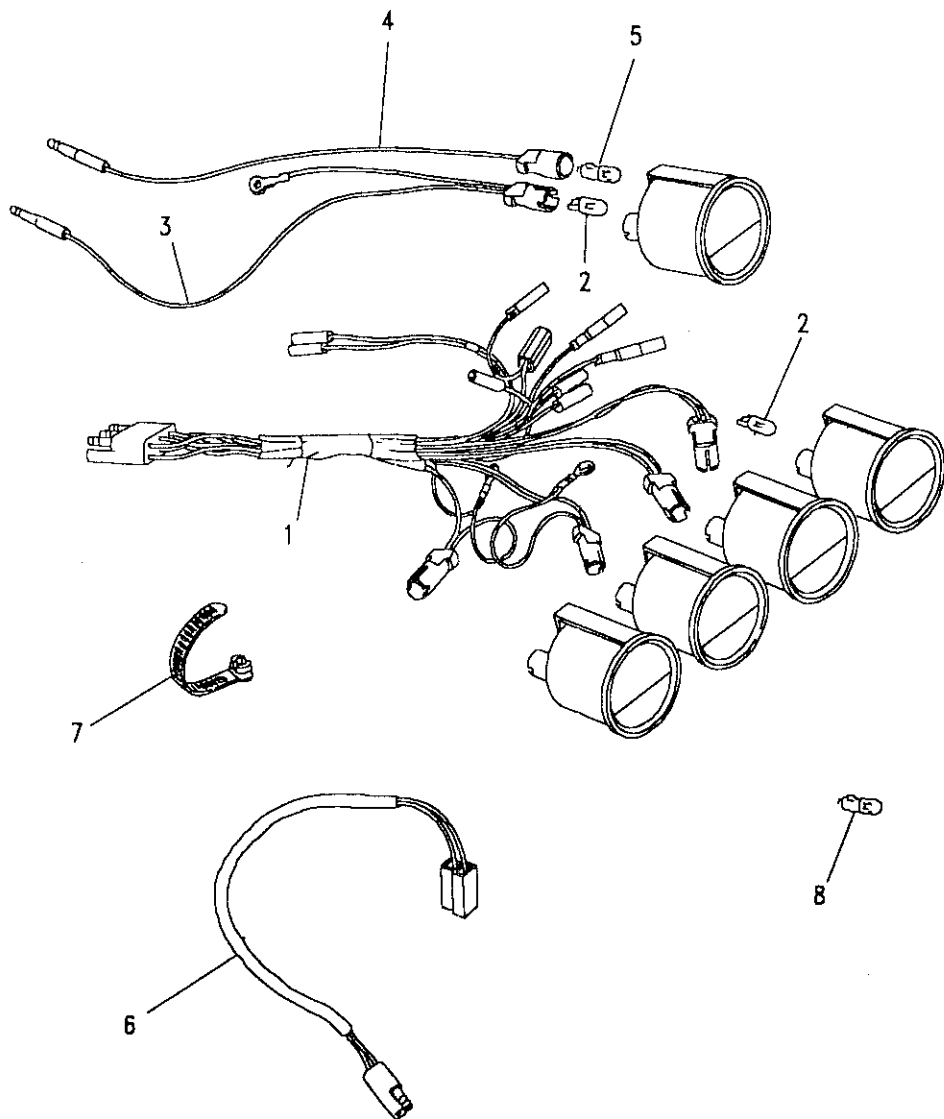
III. Part No.	Description	Qty	Remarks
<b>From VIN 310169 up to November 1989</b>			
1 PRC5879	Harness engine - 65A	1	4 cyl pet/die
PRC5880	Harness engine - 65A	1	4 cyl-Air Con
PRC5877	Harness engine - 65A	1	V8
PRC5878	Harness engine - 65A	1	V8-Air Con
<b>From November 1989</b>			
PRC6082	Harness engine - 65A	1	4 cyl pet/die
PRC5877	Harness engine - 65A	1	V8
PRC5878	Harness engine - 65A	1	V8-Air Con
2 PRC5724	Cable split charge	1	Up to KA922208
AMR2350	Cable split charge	1	From KA922209 up to LA939975
AMR3135	Cable split charge	1	From MA939976
3 ASU1151	Relay	1	Up to LA939975
AMR3324	Relay	1	From MA939976
4 PRC5723	Bracket mounting	1	
5 PRC4427	Switch volt sensitive	1	Up to LA939975
AMR3325	Switch volt sensitive	1	From MA939976
6 PRC4795	Bracket mounting	1	Up to LA939975
7 RA610123	Rivet	2	Up to LA939975
8 AMR2532	Cable volt sensitive sw.	1	From MA939976
9 PRC7100	Terminal post	2	
10 PRC7173	Plate keeper	1	
11 PRC5003	Cover	1	
12 NH104041L	Nut	2	
13 WA704061	Washer plain	2	
14 SE104161L	Screw	2	



**Model** DEFENDER 110 1987 onwards  
**Page** AFMXC1A

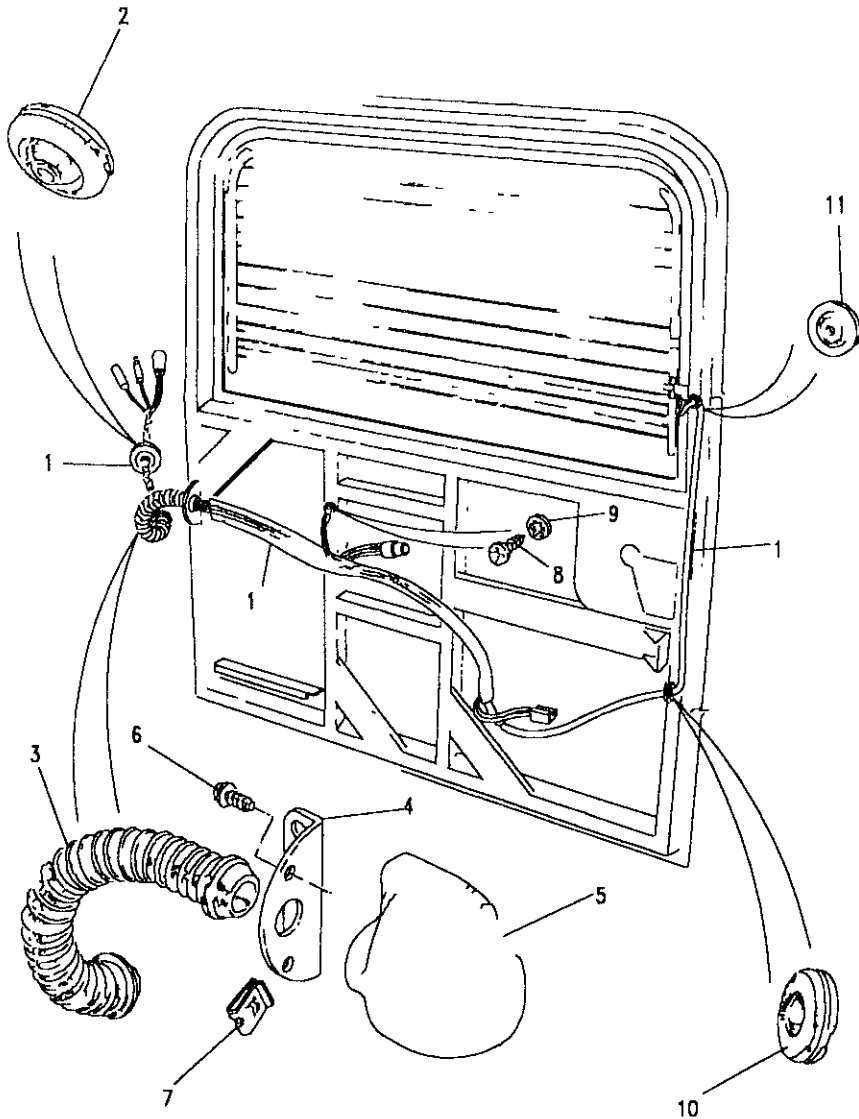
**ELECTRICAL - INSTRUMENT HARNESS**

III. Part No.	Description	Qty	Remarks
1	PRC7326	1	Up to FA450204
	PRC8410	1	From FA450205
	AMR2625	1	Up to KA929566 From KA929566 up to LA939975
	AMR3101	1	From MA939976
2	RTC6164	4	Cable instrument Bulb 12V 2W capless
3	PRC7329	1	Harness instrument
	AMR2475	1	Additional
	RTC6164	1	Volt meter
4	PRC7060	1	Bulb 12V 2W capless
	AMR3444	1	Lead clock illumination
	AMR1647	1	From VIN 319741 Up to LA936688
5	503352	1	From LA936689 up to LA939975
7	C45099L	1	From MA939976
8	573289	A/R	Lead clock - feed & illum
	PRC3095	A/R	Bulb air con controls
		1	Harness PDWA switch
<b>Germany</b>			
	PRC5685	1	Cable fuel shutoff
	YWB10032L	1	Relay
	AB608031L	1	Screw
	WA105001L	1	Washer plain



**Model** DEFENDER 110 1987 onwards  
**Page** AFMXC14A

**ELECTRICAL - REAR WASH WIPE AND HEATED REAR WINDOW**



III. Part No.	Description	Qty	Remarks
1	PRC6290	1	Up to LA939975
	AMR3124	1	From MA939976
2	BMK1714	1	
3	PRC4471	1	
4	MTC9914	1	
5	MTC9915	1	Black
	MTC9915LCS	1	up to Note(1)
			Grey
			from Note(1)
6	AA606044L	2	
7	AK606011L	2	
8	AB610041L	1	
9	WA105001L	1	
10	BHA5131L	1	Lower
11	27H5311	1	Upper

Note(1) EA314268 - Introduction of 1988 Model Year.

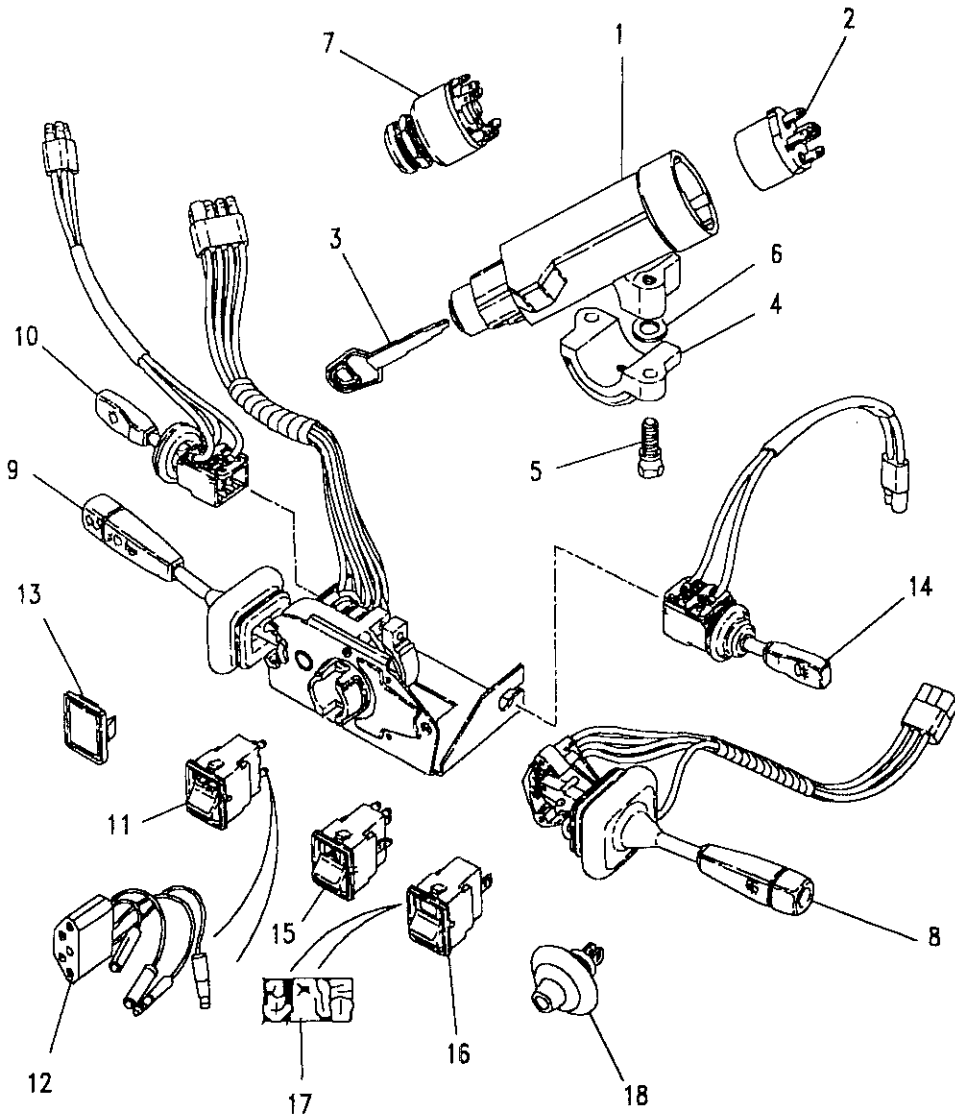


**Model** DEFENDER 110 1987 onwards  
**Page** AFMXEA1A

**ELECTRICAL - SWITCHES**

Ill. Part No.	Description	Qty	Remarks
<b>Petrol</b>			
1	NTC7855	1	Up to LA932973
	ANR2848	1	From LA932974
2	579085	1	Up to FA415292
	PRC8230	1	From FA415293
<b>Diesel</b>			
1	NRC3908	1	Up to LA932971
	ANR2847	1	From LA932972
2	PRC2735	1	
<b>200TDI &amp; 300TDI</b>			
1	NTC7855	1	Up to LA932973
	ANR2848	1	From LA932974
2	PRC8230	1	
3	AAU8276	1	RO 1001-2000
4	NRC7422	1	
5	51K400IL	2	
6	WB108051L	2	Note(1)

Note(1) Fitted between the lock body and the clamp.



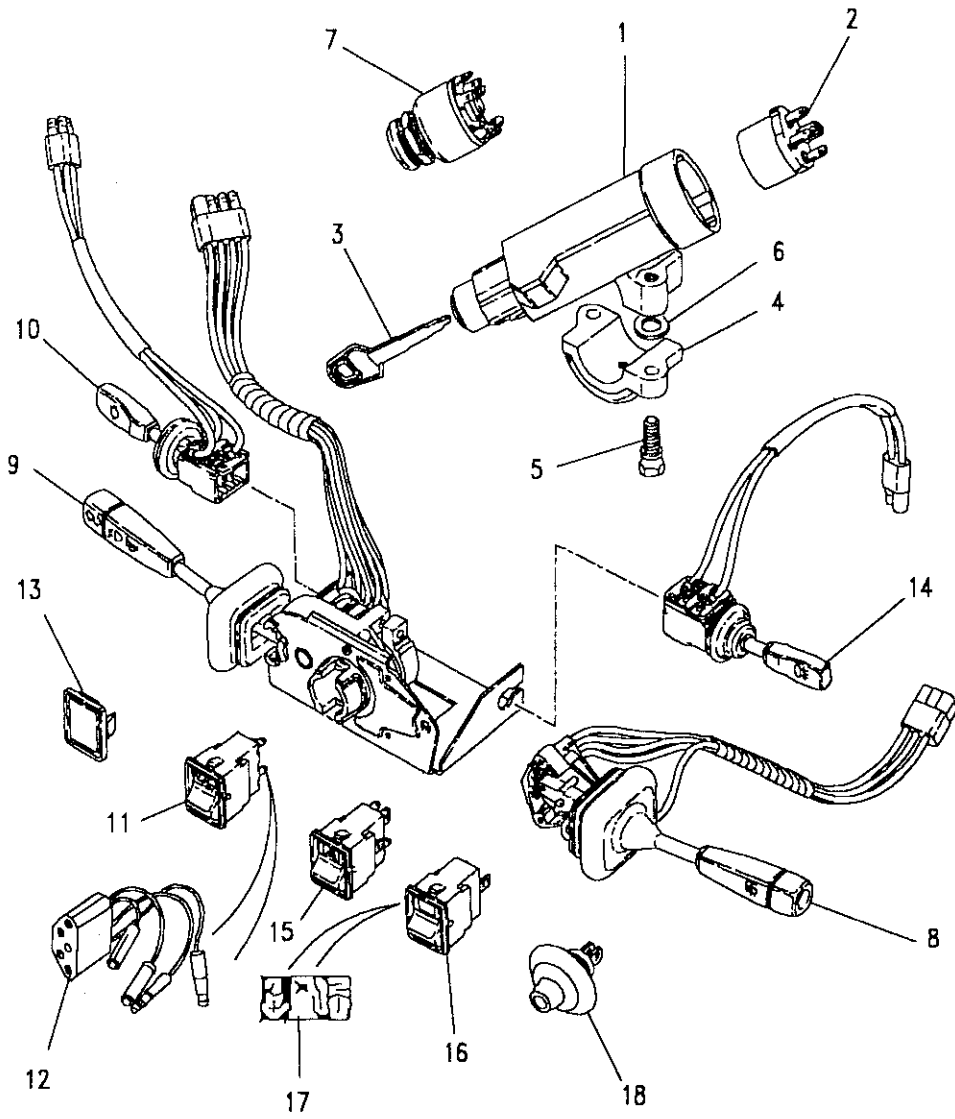


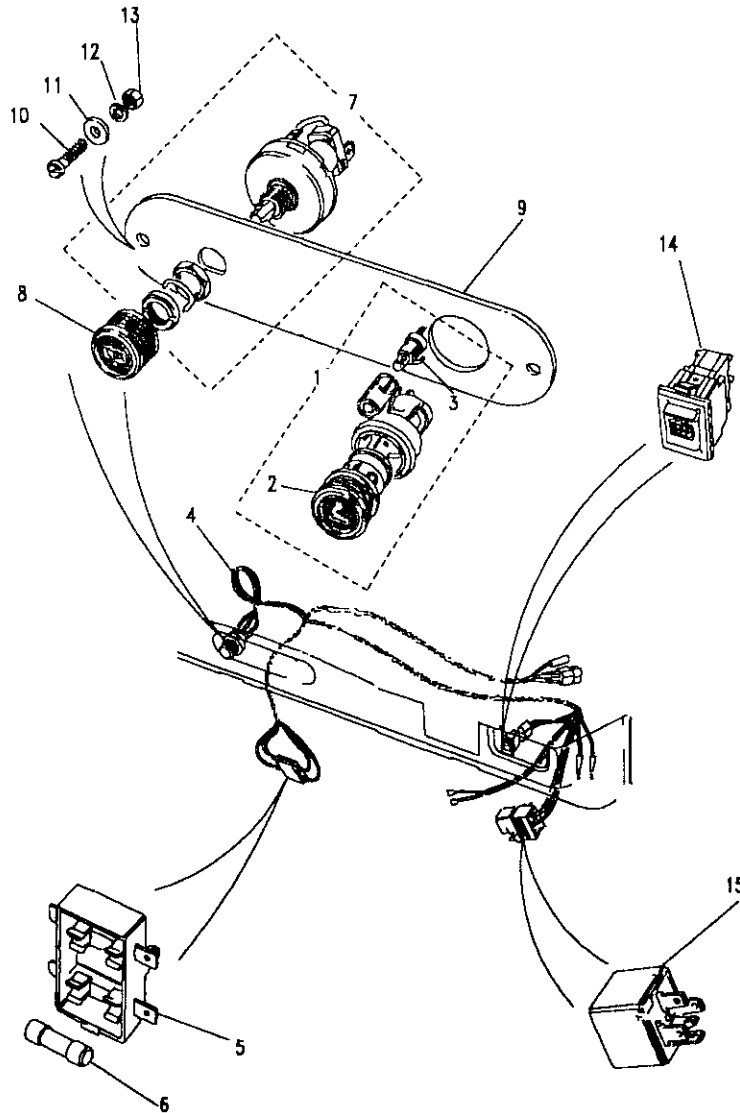
Model DEFENDER 110 1987 onwards  
 Page AFMXE1A

ELECTRICAL - SWITCHES

III. Part No.	Description	Qty	Remarks
7	551508	1	Note(1)
	395141	1	Note(1)
	PRC2734	1	Note(2)
	RTC3022	1	Note(2)
8	PRC3900	1	Up to FA455595
	PRC7370	1	From HA455596
9	PRC3875	1	Up to FA455595
	STC439	1	From HA455596
10	PRC3430	1	
11	PRC2497	1	Up to FA455595
	PRC7371	1	From HA455596
			up to Note(3)
12	PRC5679	1	Up to FA455595
	PRC8470	1	From HA455596
			Up to KA925760
	AMR2449	1	From KA925761
			up to Note(3)
13	AAM222L	3	
14	PRC3432	1	
15	ASU1009	1	
	STC873	1	
16	C38637L	1	
17	PRC5537	1	

Note(1) Petrol vehicles without steering column lock  
 Note(2) Diesel vehicles without steering column lock  
 Note(3) Up to LA939975. From MA939976 switch incorporated into light.





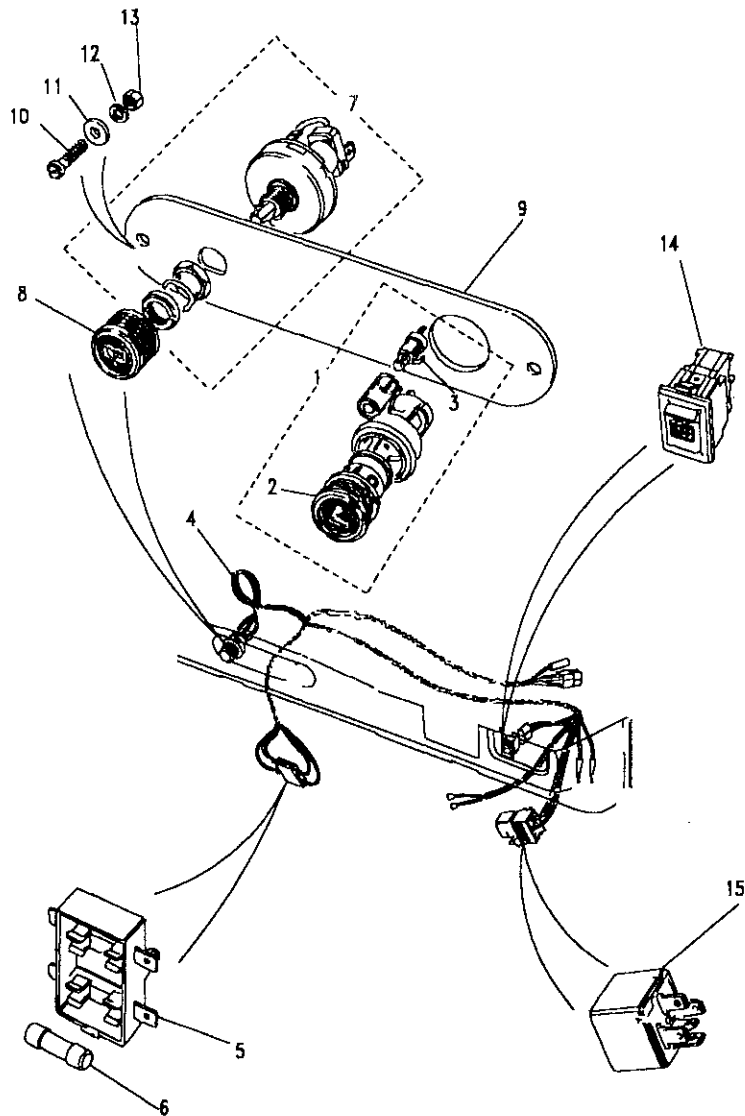
Model DEFENDER 110 1987 onwards  
 Page AFMXEC1A

**ELECTRICAL - CIGAR LIGHTER, DASH HARNESS**

III. Part No.	Description	Qty	Remarks
1 PRC9410	Cigar lighter	1	Up to JA915407
YUJ10037L	Cigar lighter	1	From JA915408
2 DRC8398	Popout unit	1	Part of PRC4524
STC733	Popout unit	1	Up to JA913074
			Part of PRC9410
3 RTC3635	Bulb	1	From JA913075
4 PRC4720	Harness dash RWW/HRW	1	Up to FA424003
PRC8246	Harness dash RWW/HRW	1	From FA424004
PRC8452	Harness dash RWW/HRW	1	Up to VIN 455595
			From HA455596
PRC9334	Harness dash RWW/HRW	1	Up to HA903278
AAU5034	Diode	1	From HA903279
5 PRC3737	Fuse box	1	Up to HA903278
6 RTC4502	Fuse 15 amp	1	Up to FA423988
7 PRC4449	Switch RWW	1	Up to FA423988
8 PRC4454	Knob	1	

Note(1) RWW/HRW = Rear wash wipe/heated rear window





Model DEFENDER 110 1987 onwards

Page AFMXEC1A

**ELECTRICAL - FACIA PLATE - UP TO LA939975**

III. Part No.	Description	Qty	Remarks
<b>For cigar lighter</b>			
9 MUC2165	Facia plate	1	
<b>For rear wash wipe switch</b>			
9 MUC1368	Facia plate RHS	1	
MUC1367	Facia plate LHS	1	
<b>For cigar lighter/rww switch/round clock</b>			
9 MUC1583	Facia plate RHS	1	Up to VIN 319740
MUC1584	Facia plate LHS	1	Up to VIN 319740
<b>For cigar lighter/rww switch/rectangular clock</b>			
9 MWC9304	Facia plate RHS	1	From VIN 319741
MWC9303	Facia plate LHS	1	From VIN 319741
<b>For cigar lighter/gauge/rectangular clock</b>			
9 MWC9301	Facia plate	1	From VIN 319741
<b>For three gauges</b>			
9 MWC9306	Facia plate	1	From VIN 319741
<b>Fixings for facia plate</b>			
10 SP105204	Screw	2	
11 WC105007	Washer plain	2	
12 WL105004	Washer spring	2	
13 NH105041L	Nut	2	
14 PRC4433	Switch HRW	1	
15 YWB10032L	Relay dash harness	1	Up to HA903278
YWB10027L	Relay dash harness	1	From HA903279
PRC4427	Volt sens. switch HRW	1	Note(1)

Note(1) Required for vehicles with 45A alternator only.

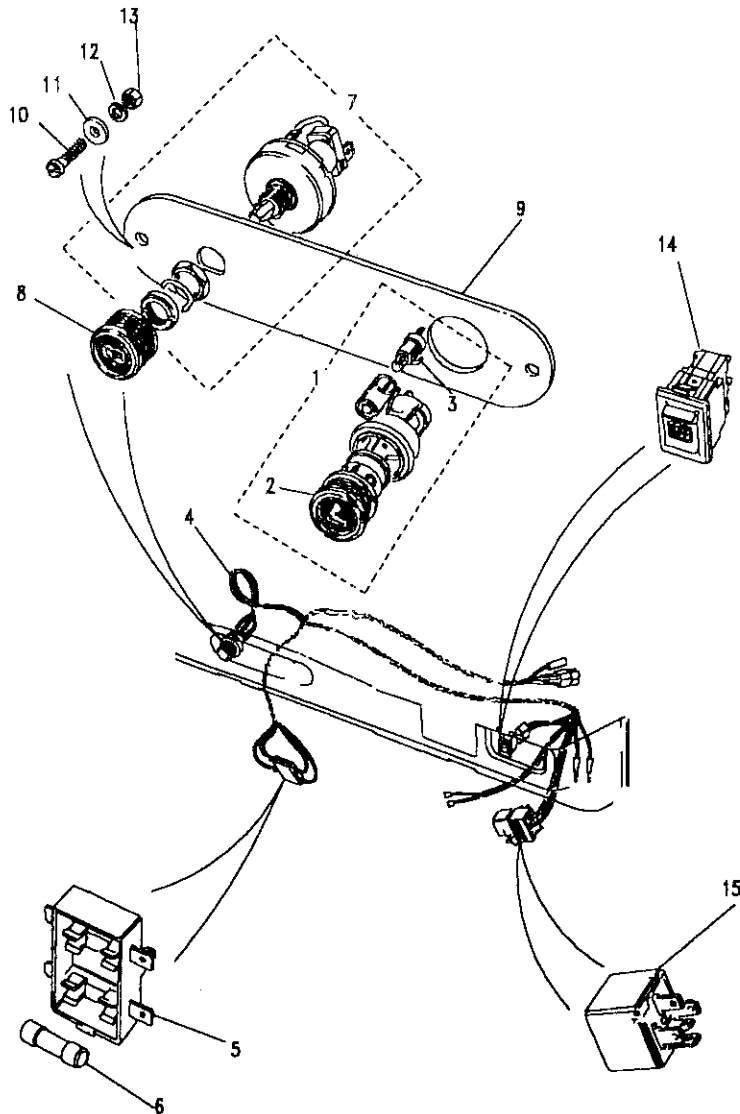




DEFENDER 110 1987 onwards

715

BODY ELECTRICAL



**Model** DEFENDER 110 1987 onwards  
**Page** AFMXEC1A

**ELECTRICAL - FACIA PLATE - FROM MA939976**

III. Part No.	Description	Qty	Remarks
12 BTR9614	Facia plate centre	1	
BTR9615	Plug blanking	1	Note(1)
<b>Fixings for facia plate</b>			
13 SP105204	Screw	2	
14 AFU1248	Washer plastic	2	
15 WC105001	Washer plain	2	
16 NH105041L	Nut	2	
17 PRC4433	Switch heated rear window	1	
18 YWB10027L	Relay dash harness HRW	1	

Note(1) For rear wash/wipe switch aperture.



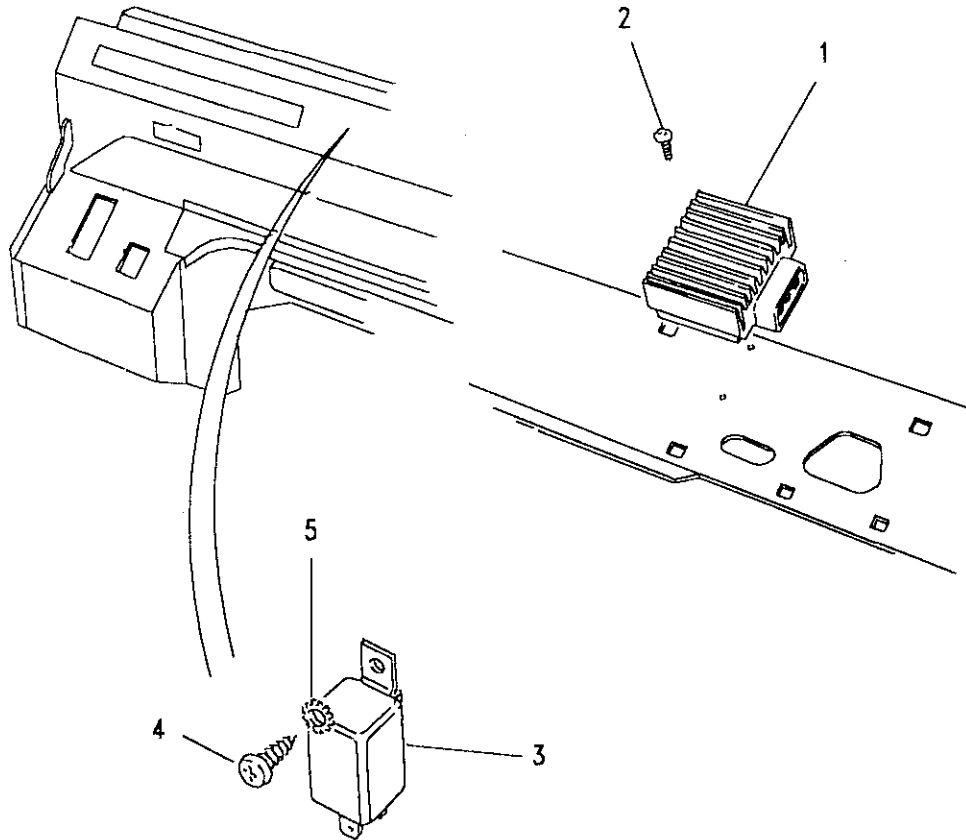
**Model** DEFENDER 110 1987 onwards

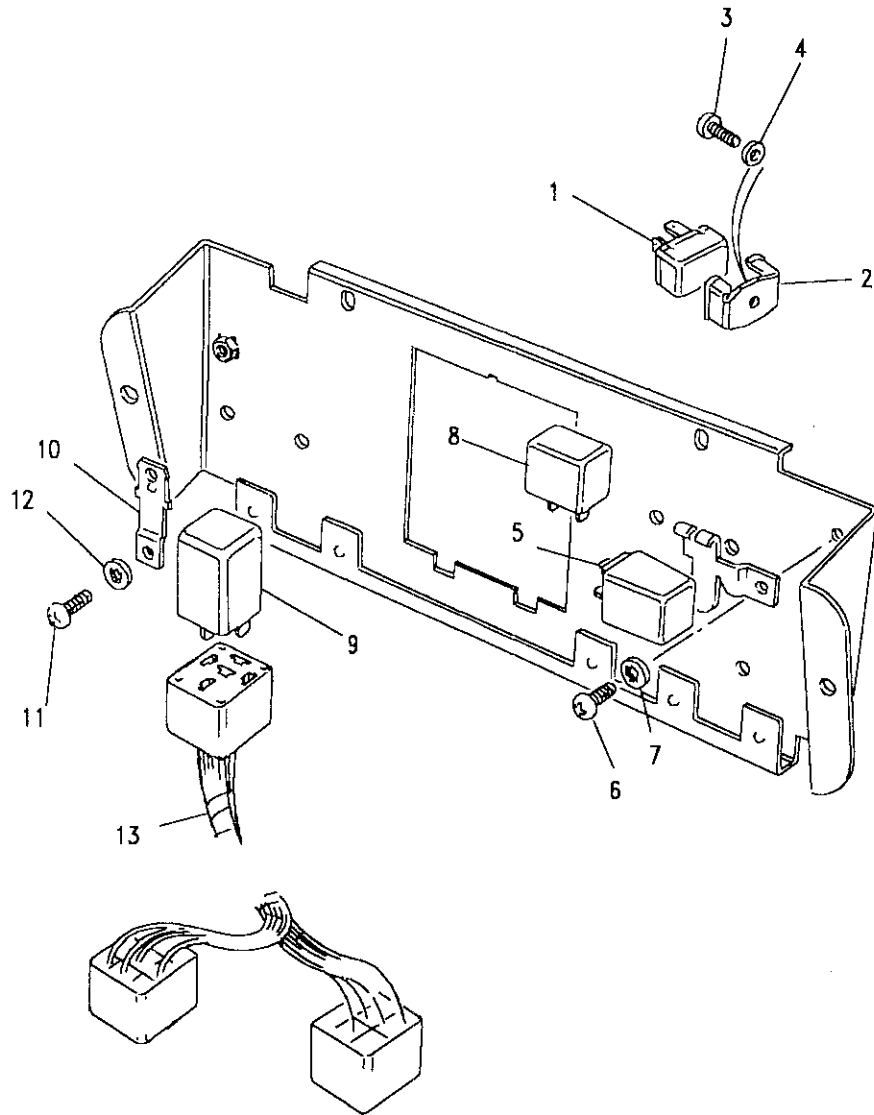
**Page** AFMXGA1A

**ELECTRICAL - DIM DIP UNIT, GLOW PLUG TIMER**

Ill. Part No.	Description	Qty	Remarks
1 PRC8123	Dim dip unit	1	Quartz halogen headlamps up to HA906454
PRC6336	Dim dip unit	1	Tungsten headlamps up to HA906454
YWC10050L	Controller-dim dip	1	UK only from HA906455
YWZ10003L	Control unit (dummy)	1	Except UK from HA906455
AB608031L	Screw	1	From HA906455
DRC1245	Bracket mounting	1	From HA906455
XBL10003L	Resistor-dim dip	1	From HA906455
FN106047L	Nut flanged	1	From HA906455
2 DA610051L	Screw	2	
3 PRC6913	Timer glow plug	1	200TDI Note(1)
4 AB612051L	Screw	1	
5 WE600041L	Washer shakeproof	1	

Note(1) Glow plug timer cable shown in harness section.





**Model** DEFENDER 110 1987 onwards  
**Page** AFMXGA2A

**ELECTRICAL - FLASHER UNITS - RELAYS - DELAY UNIT**

III. Part No.	Description	Qty	Remarks
1 RTC3562	Flasher unit - 2 pin	1	Note(1)
YWT10003	Flasher unit - 2&1 pin	1	Up to LA939976 From MA939977 Note(2)
2 567959	Clip retaining	1	
3 SE105101L	Screw	1	
4 WF105001L	Washer shakeproof	1	
5 PRC2239	Flasher unit - 3 pin	1	NLA use PRC8876
PRC8876	Flasher unit - 3 pin	1	Note(3)
6 SE106121L	Screw	1	
7 WF106001L	Washer shakeproof	1	
8 YWB10032L	Relay	1	Brake system check
YWB10032L	Relay	1	Starter
YWB10032L	Relay	1	Headlamp override From VIN 423989
YWB10032L	Relay	2	Fuel changeover
YWB10032L	Relay	4	)
SE105101L	Screw	2	)Norway
WA105001L	Plain Washer	4	)
WL105001L	Spring Washer	2	)
NH105041L	Nut	2	)
9 PRC6864	Delay unit wash/wipe	1	Up to KA927700
AMR2341	Delay unit variable	1	From KA927701
10 DRC1245	Bracket retaining	1	)From HA455946
11 SE105121L	Screw	1	)
12 WF600041L	Washer shakeproof	1	)
13 PRC8295	Cable assy delay unit	1	)

Note(1) Two pin unit for vehicles without trailer socket.  
 Note(2) Replace with PRC8876 heavy duty unit.  
 Note(3) Three pin unit for vehicles with trailer wiring.



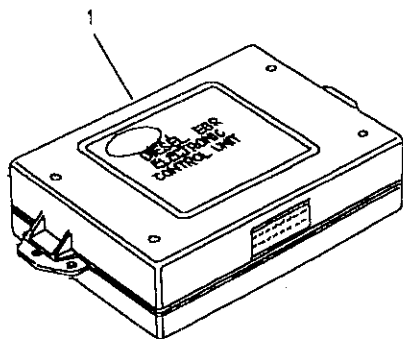
**Model** DEFENDER 110 1987 onwards

**Page** AFMXGC1A

**ELECTRONIC CONTROL UNIT - 300TDI**

III. Part No.	Description	Qty	Remarks
1 ERR5033	ECU for EGR - located under cubby box Electronic unit EGR	1	

Note(1) For modulator EGR valve see page 234



**Model** DEFENDER 110 1987 onwards  
**Page** AFMXGE1A

**ELECTRICAL - HORN**

**III. Part No. Description Qty Remarks**  
**Up to KA923603**

**Single Horn - Non Air Con**

1	PRC2057	Horn	1
2	PRC1984	Bracket mounting	1
3	SH106141L	Screw	2
4	WL106001L	Washer spring	2
5	235113	Grommet	1

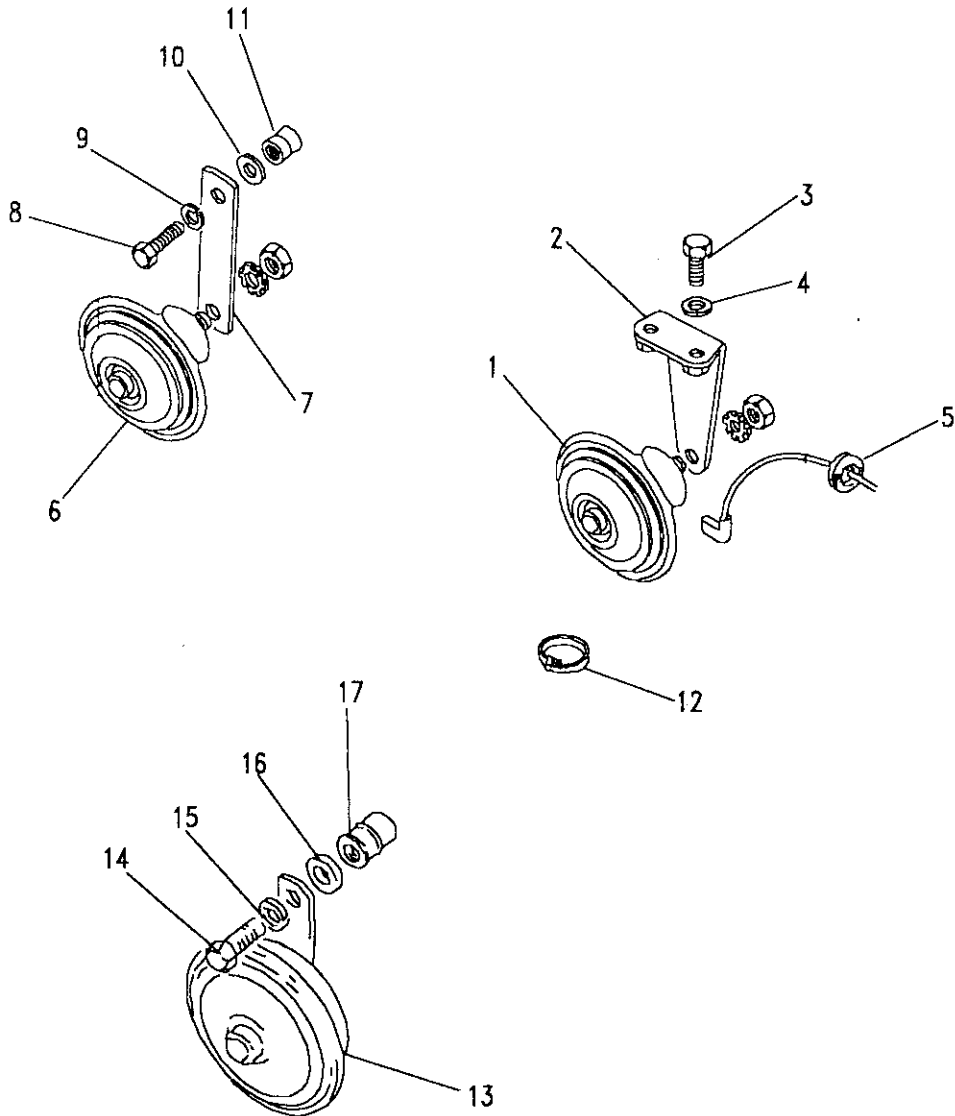
**Additional Horn - Non Air Con - Note(1)**

6	PRC2057	Horn	1
7	PRC4456	Bracket mounting	1
8	FS108251L	Flange screw	1
9	WL108001L	Washer spring	1
10	4868L	Washer plain	1
11	NN108021	Nutsert	1
12	C43640	Cable tie	3

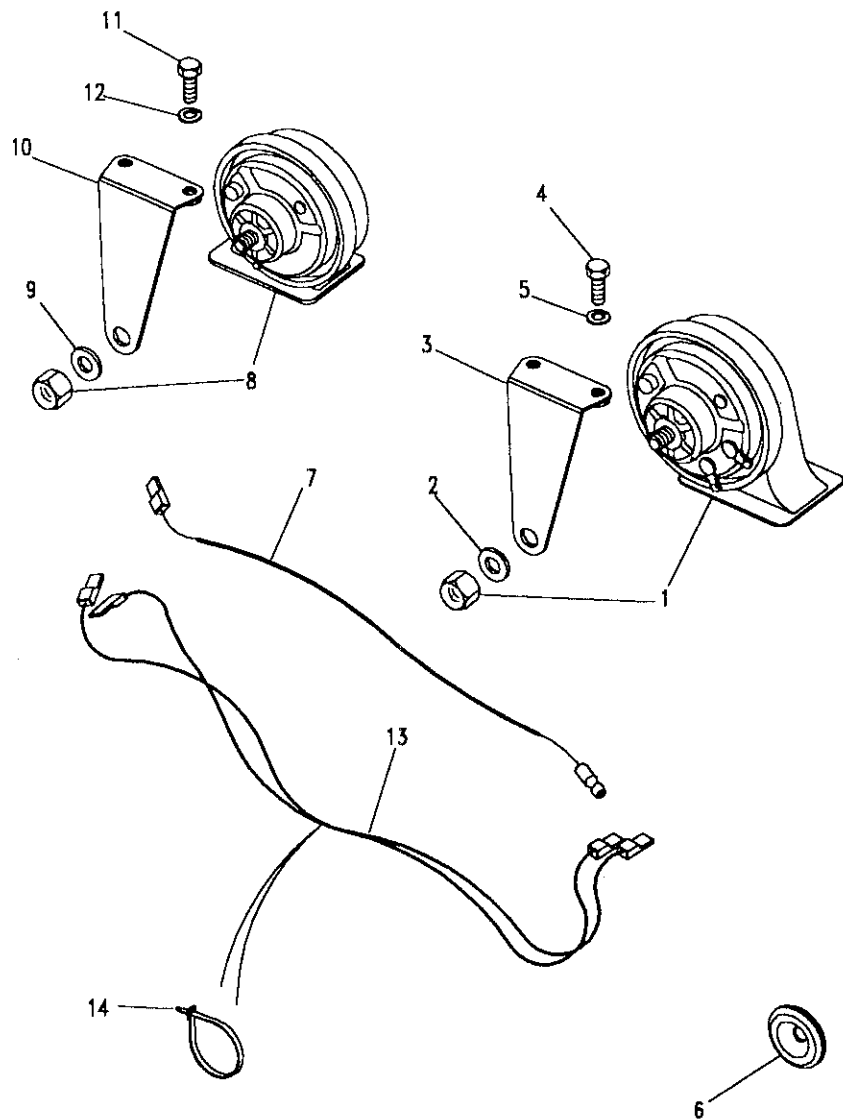
**Single Horn - Air Con**

13	PRC5912	Horn	1
14	FS108251L	Flange screw	1
15	WL108001L	Washer spring	1
16	4868L	Washer plain	1
17	NN108021	Nutsert	1

Note(1) Middle East Countries







Model DEFENDER 110 1987 onwards

Page AFMXGE2A

**ELECTRICAL - HORN**

III. Part No. Description Qty Remarks

Non Air Con - From KA923604

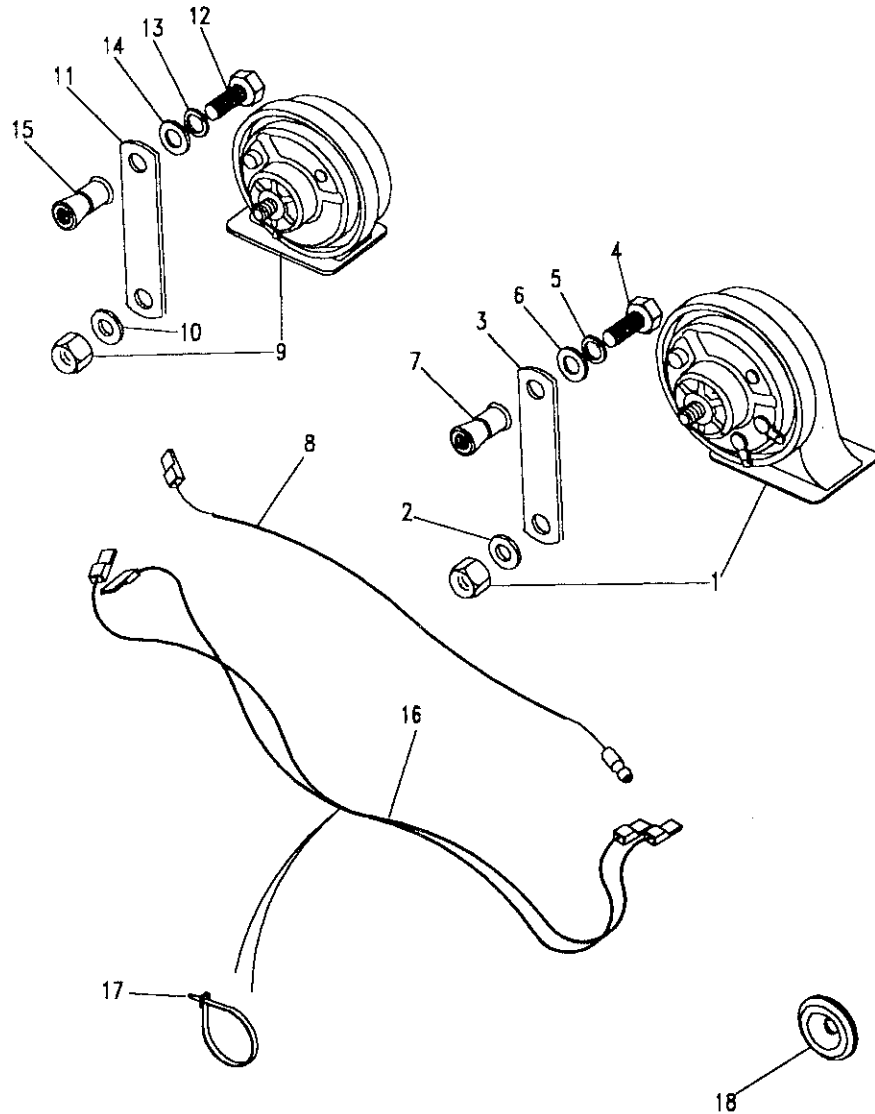
**Single Horn**

1	YEB10027	Horn low note	1	
2	WA108051L	Washer plain	1	
3	AMR2393	Bracket mounting	1	
4	SH106141L	Screw	2	
5	WL106001L	Washer spring	2	
6	235113	Grommet	1	
7	AMR2416	Lead horn	1	Nat Asp Diesel

**Additional Horn**

8	YEB10026	Horn	1	
9	WA108051L	Washer plain	1	
10	AMR2393	Bracket mounting	1	
11	SH106141L	Screw	2	
12	WL106001L	Washer spring	2	
13	AMR2358	Extension lead horn	1	
14	573246	Cable tie	2	
	STC1182	Horn kit secondary	1	Note(1)

Note(1) To fit additional horn to vehicles with single horn only.



**Model** DEFENDER 110 1987 onwards  
**Page** AFMXGE3A

**ELECTRICAL - HORN**

III. Part No.	Description	Qty	Remarks
---------------	-------------	-----	---------

**Air Con - From KA923604**

**Single Horn**

1	YEB10027	1	Horn
2	WA108051L	1	Washer plain
3	AMR2411	1	Bracket mounting
4	FS108251L	1	Flange screw
5	WL108001L	1	Washer spring
6	4868L	1	Washer plain
7	NN108021	1	Nutsert
8	AMR2416	1	Lead horn

**Additional Horn**

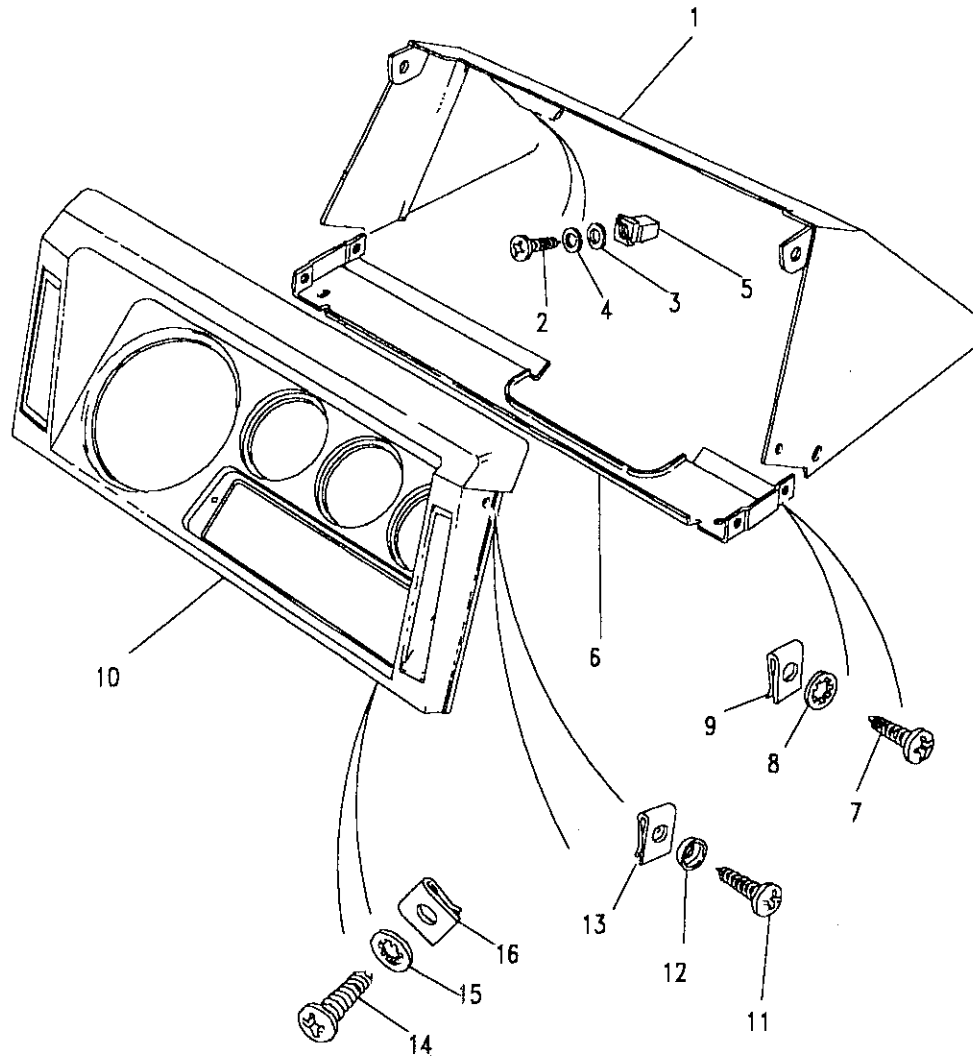
9	YEB10026	1	Horn
10	WA108051L	1	Washer plain
11	AMR2411	1	Bracket mounting
12	FS108251L	1	Flange screw
13	WL108001L	1	Washer spring
14	4868L	1	Washer plain
15	NN108021	1	Nutsert
16	AMR2358	1	Extension lead horn
17	573246	2	Cable tie
18	235113	1	Grommet



**Model** DEFENDER 110 1987 onwards  
**Page** AFMXIA1A

**ELECTRICAL - INSTRUMENT PANEL AND COWL**

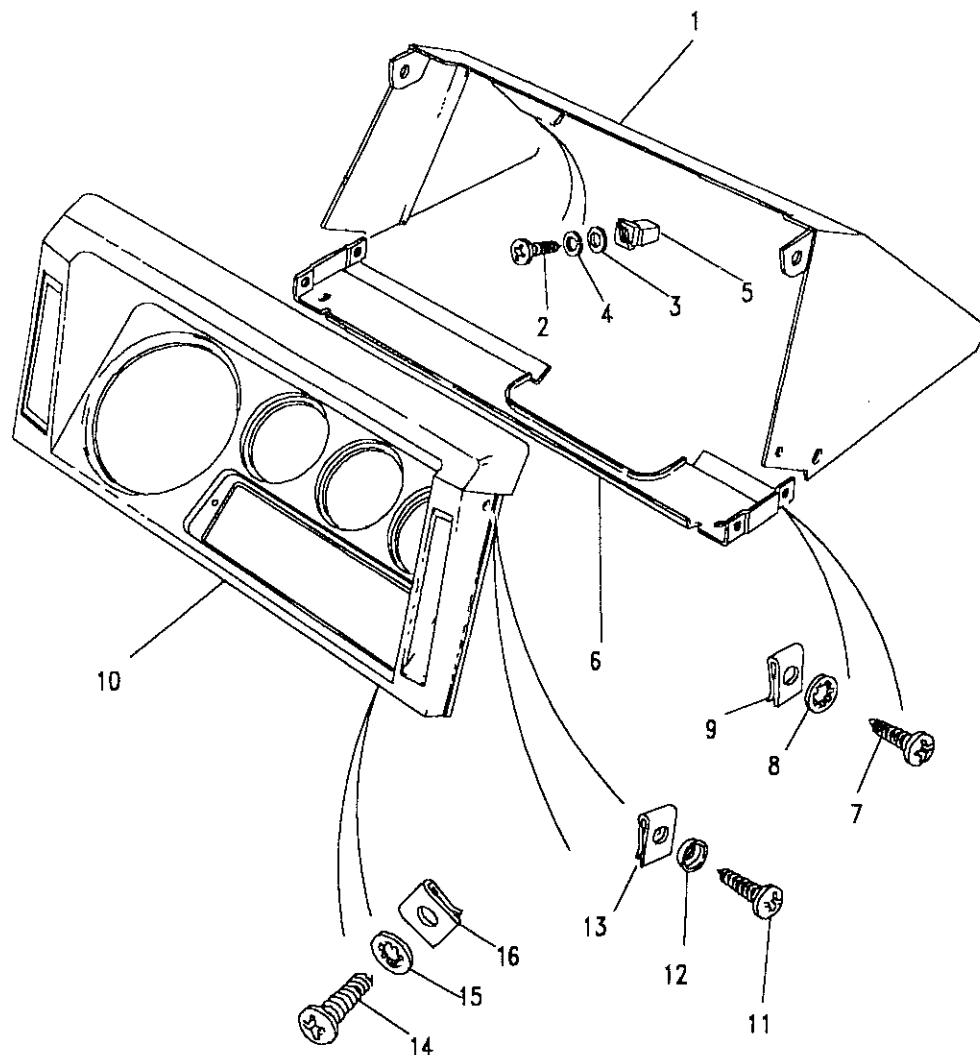
III. Part No.	Description	Qty	Remarks
1	MTC2808	1	Cowl
	MUC3023	1	Cowl
2	AZ610081	5	Screw
3	AFU1218L	5	Washer plain
4	WL105001L	5	Washer spring
	WF702108	5	Washer shakeproof
5	CZA4705L	5	Nut lokut
6	MUC7598	1	Stiffener rh
	MUC7599	1	Stiffener base
	AAM222L	1	Plug blanking
<b>Air conditioning</b>			
7	AB608044L	4	Screw
	AFU2636	4	Screw
8	WF703084	4	Washer shakeproof
9	AJ608031	4	Nut spring



**Model** DEFENDER 110 1987 onwards  
**Page** AFMXIA1A

**ELECTRICAL - INSTRUMENT PANEL AND COWL**

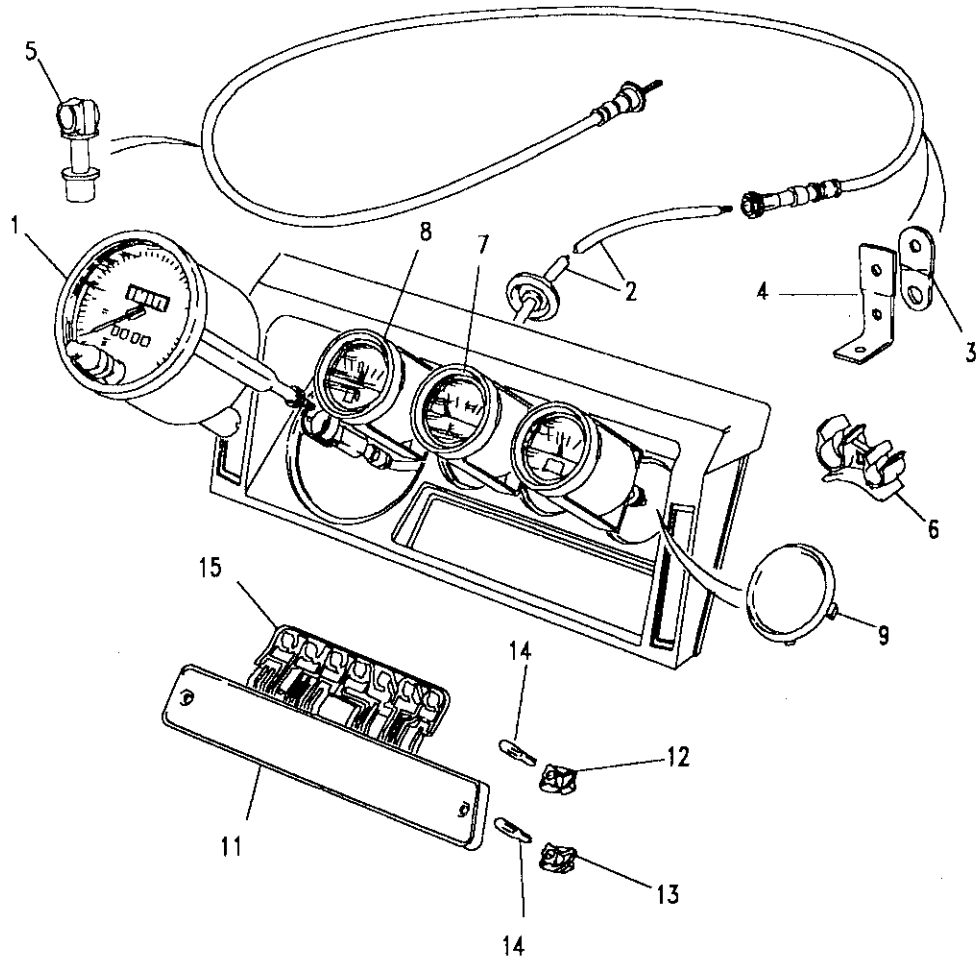
III. Part No.	Description	Qty	Remarks
10	MTC5458	1	RHS
	MTC5459	1	LHS
11	AD606044L	2	Screw
12	WK606214L	2	Washer cup
13	AJ606041	2	Nut spring
	MWC9322	2	U nut
14	AB606044L	2	Screw
15	WF704064	2	Washer shakeproof
16	AJ606041	2	Nut spring
	MWC9322	2	U nut



Model DEFENDER 110 1987 onwards  
 Page AFMXIA2A

**ELECTRICAL - INSTRUMENTS**

III. Part No.	Description	Qty	Remarks
1	PRC7373	1	Speedometer MPH
	PRC7374	1	Speedometer KPH
2	PRC6022	1	Cable speedometer RHS
	PRC6023	1	Cable speedometer RHS
	PRC6021	1	Cable speedometer LHS
3	PRC2979	1	Bracket support
4	PRC2980	1	Bracket support
	PRC3678	1	Bracket transfer box
	PRC3833	1	Bracket toebox
5	PRC3180	2	Clip speedometer cable
6	PRC3025	2	Cable clip
	PRC3025	2	Cable clip
7	PRC7311	1	Gauge water temperature
	AMR2070	1	Gauge water temperature
	AMR2631	1	Gauge water temperature
8	PRC7313	1	Gauge fuel
9	MRC8225	1	Plug blanking
10	PRC7315	1	Gauge battery condition

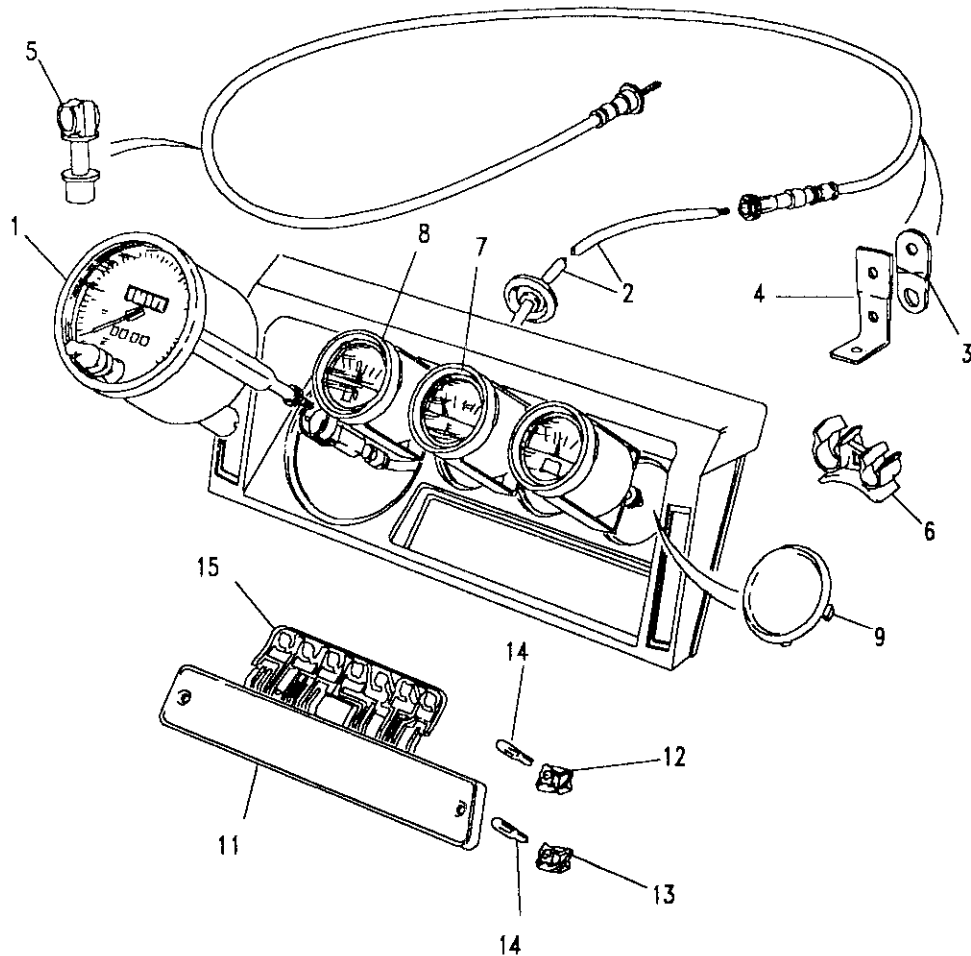


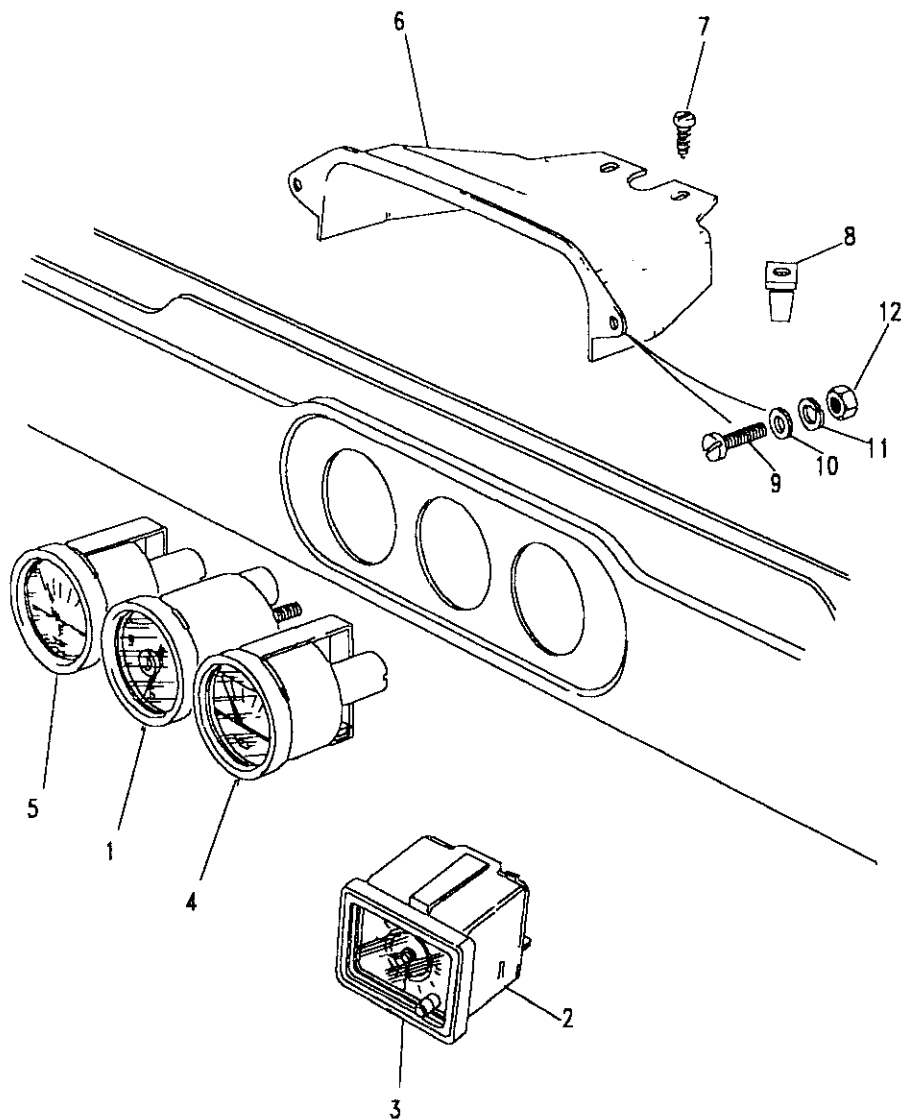
**Model** DEFENDER 110 1987 onwards  
**Page** AFMXIA2A

**ELECTRICAL - INSTRUMENTS**

III. Part No.	Description	Qty	Remarks
11 PRC8879	Module warning lamp	1	Up to KA929565
AMR2628	Module warning light	1	From KA929566
12 AEU2722	Bulb holder	13	
13 AEU2723	Bulb holder	1	NLA - use RTC3878
14 RTC3635	Bulb	13	12V 1.2W
AEU2724	Bulb	1	6V 1.2W
15 AEU2721	Printed circuit	1	
WE104001L	Washer shakeproof	2	
NH104041L	Nut	2	
<b>Police Vehicles</b>			
ZXC9121	Speedometer	1	No longer available
ZXC9120	Cable speedometer 70" -gearbox to junction	1	4 Cylinder
ZXC9119	Cable speedometer 80" -gearbox to junction	1	V8
ZXC9117	Cable speedometer 26" -jnctn to main speedo	1	
ZXC9118	Cable speedometer 18.5" -jnctn to calibr speedo	1	
ZXC9328	Junction unit	1	

Note(1) For round binnacle mounted clock see frame page 726





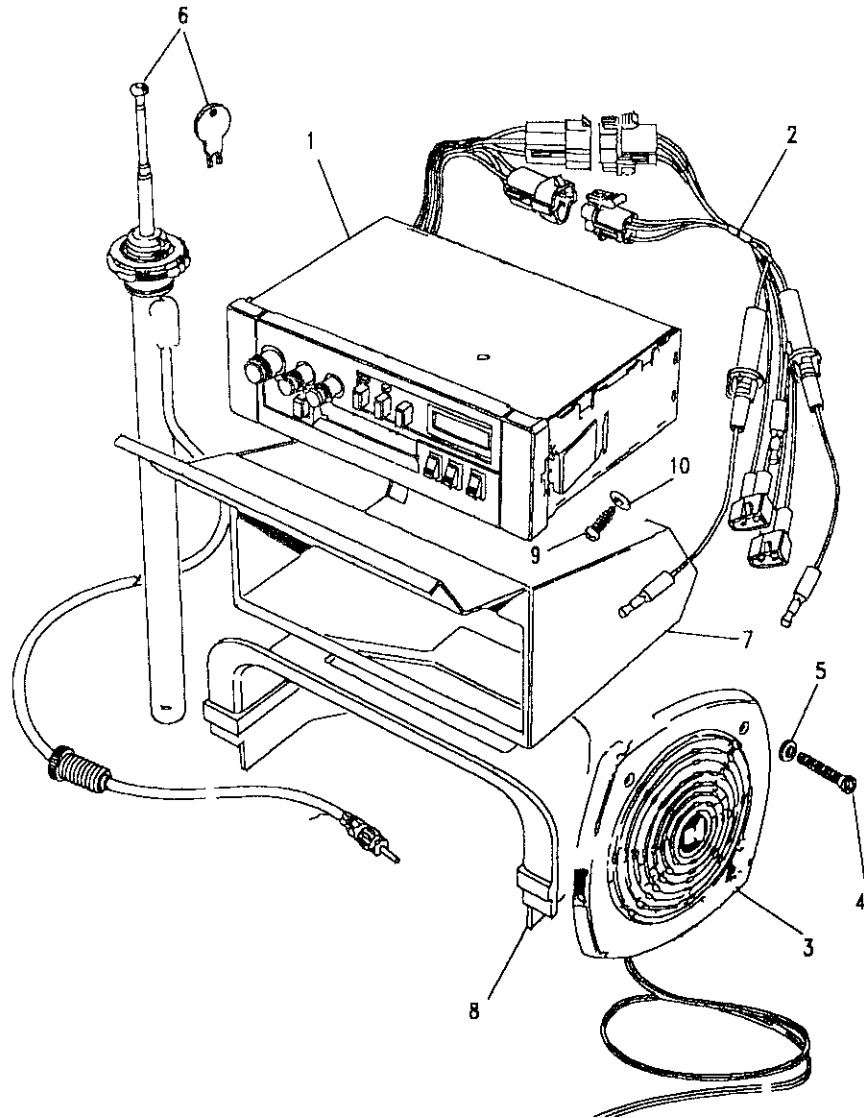
**Model** DEFENDER 110 1987 onwards

**Page** AFMXIA3A

**ELECTRICAL - CLOCK AND OIL GAUGES**

III. Part No.	Description	Qty	Remarks
<b>Clock in centre dash panel</b>			
1	RTC6324	1	Upto VIN 319740
2	PRC4370	1	From VIN 319740 Up to LA936688
<b>Clock in main instrument binnacle</b>			
	AMR3443	1	From LA936689
3	PRC4324	1	From VIN 319740
4	PRC7319	1	Note(1)
	PRC7320	1	V8
5	PRC7318	1	Note(1)
	PRC7318	1	V8
6	346786	1	Cover instruments
7	AB606034	2	Screw
8	RTC3745	2	Nut lokut
9	SP105204	2	Screw
10	WC105007	2	Washer plain
11	WL105004	2	Washer spring
12	NH105041L	2	Nut

Note(1) 4 cyl. Petrol, nat. asp. Diesel and Diesel Turbo only.



**Model** DEFENDER 110 1987 onwards  
**Page** AFMXKA1A

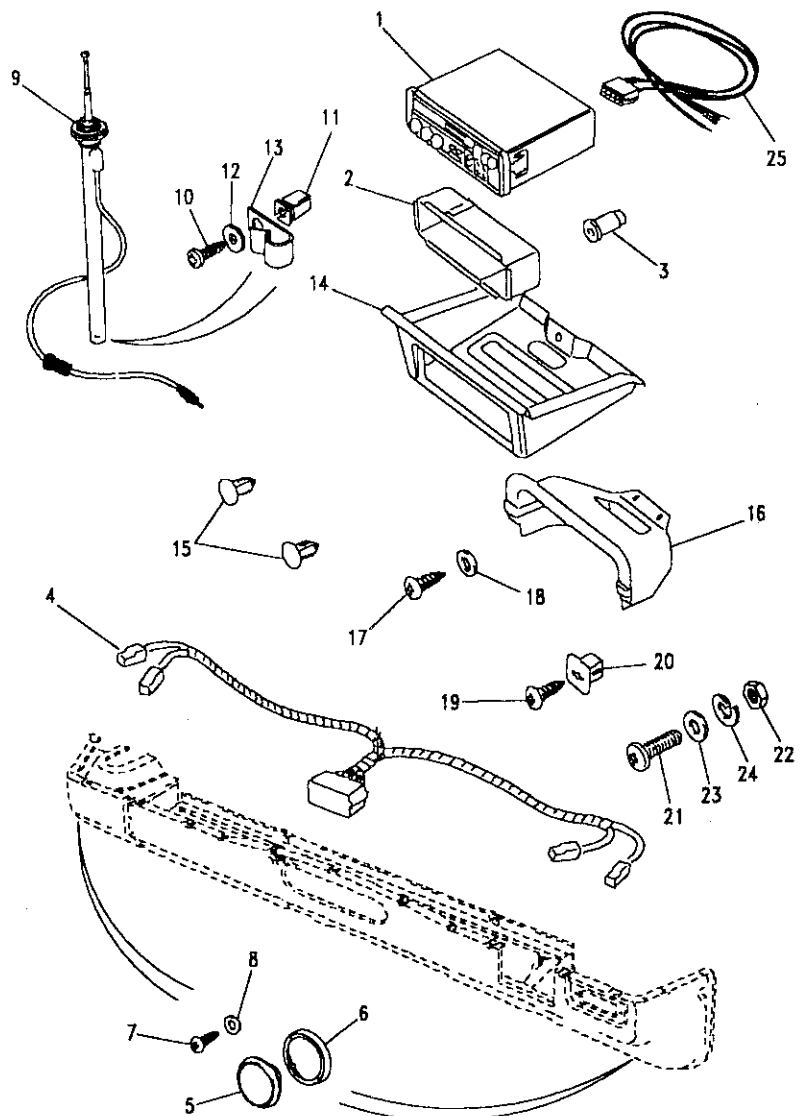
**ELECTRICAL - RADIO CASSETTE & LOUDSPEAKERS - UP TO LA939975**

Ill. Part No.	Description	Qty	Remarks
1	PRC9188	1	Up to JA910822
	PRC9937	1	From JA910823
	PRC9941	1	From JA910823
2	PRC6228	1	Up to JA910822
	PRC9938	1	From JA910823
3	PRC6348	2	Up to JA910822
	PRC9939	2	From JA910823
4	AD606074L	8	
5	WA104001L	8	
6	PRC4327	1	
7	MWC2526	1	
8	MWC2530	1	
9	AW608081	2	
10	WA105001L	2	
	STC737	1	Note(1&2)

Note(1)  
 Note(2)

Required when fitting PRC9937 in place of PRC9188.  
 Required when fitting radio to vehicles which are not pre-wired.



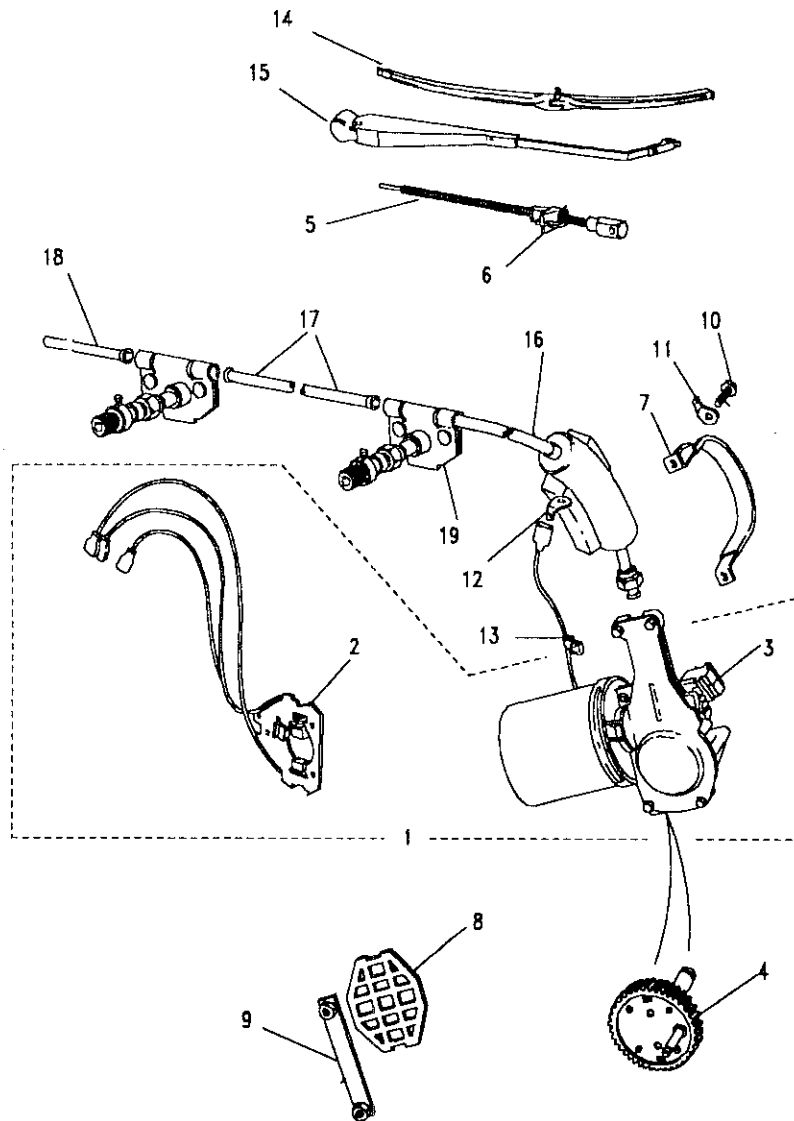


**Model** DEFENDER 110 1987 onwards  
**Page** AFMXKA2A

**ELECTRICAL - RADIO CASSETTE & LOUDSPEAKERS - FROM MA939976**

Ill. Part No.	Description	Qty	Remarks
1	AMR3414	1	Radio cassette
2	PRC9941	1	Cage radio mounting
3	XQJ10002	1	Radio location bung
4	AMR3294	1	Harness speaker
5	AMR3417	1	Speaker assy
6	AMR3840	2	Spacer - speaker
7	AD606074L	8	Screw - speaker
	AB606124	8	Screw - speaker
8	WA104001L	8	Washer plain - speaker
	WA104004	8	Washer plain - speaker
9	AMR3418	1	Aerial
10	AB614061	1	Screw - aerial
11	CZK3164	1	Nut - aerial
12	MRC5527	1	Washer - aerial
13	NRC2383	1	Clip - aerial
14	BTR8593LDQ	1	Housing radio
15	AFU1897	2	Fastener - radio housing
16	BTR9552	1	Cover aux instruments
17	AW608081	2	Screw - radio housing
18	WA105001L	2	Washer plain - housing
19	AB606034	2	Screw - inst. cover
20	CZH0619	2	Nut lokut - inst. cover
21	SE105204	2	Screw M5 - inst. cover
22	NH105041	2	Nut M5 - inst. cover
23	WC105004	4	Washer M5 - inst. cover
24	WL105004	2	Washer spring M5
25	STC1747	1	Radio power lead

Note(1) Required when fitting radio to vehicles which are not pre-wired.



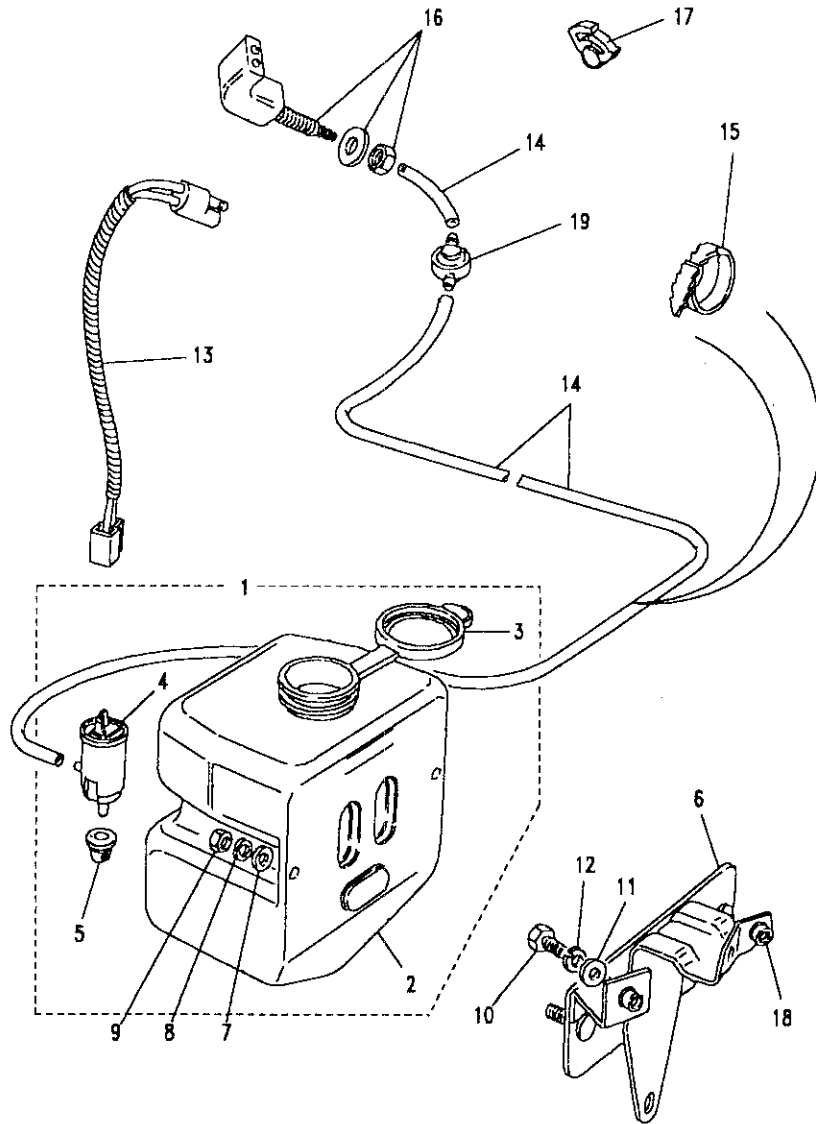
Model DEFENDER 110 1987 onwards  
 Page AFMXMA1A

**ELECTRICAL - WINDSCREEN WIPERS**

Ill. Part No.	Description	Qty	Remarks
1	RTC3867	1	Motor wiper front
2	RTC198	1	Brush set
3	520160	1	Switch park
4	517646	1	Gear
5	37H5208L	1	115 degrees Rack
6	37H3694L	1	Ferrule
7	BHA4790L	1	Strap
8	150844	1	Pad
9	MTC2607	1	Nut plate
10	SE106161L	2	Screw
11	505205	1	Lucar blade
12	STC712	1	Wiper earth Lucar blade
13	570351	1	Cable clip
14	PRC8559	2	Blade wiper
15	PRC4276	2	Arm wiper
	PRC4277	2	LHS Arm wiper
16	PRC3671	1	RHS Tube
	PRC3672	1	LHS Tube
17	PRC2471	1	Tube
18	575047	1	Tube
19	PRC8495	2	From FA434648 Wheel box
	RTC4480	2	Up to FA434647 Drum splined
	STC987	2	From FA434648 -pinch bolt type Drum splined
	MUC3933	2	Germany -grub screw type Cover wiper pinch bolt

Model DEFENDER 110 1987 onwards  
 Page AFMXMC3A

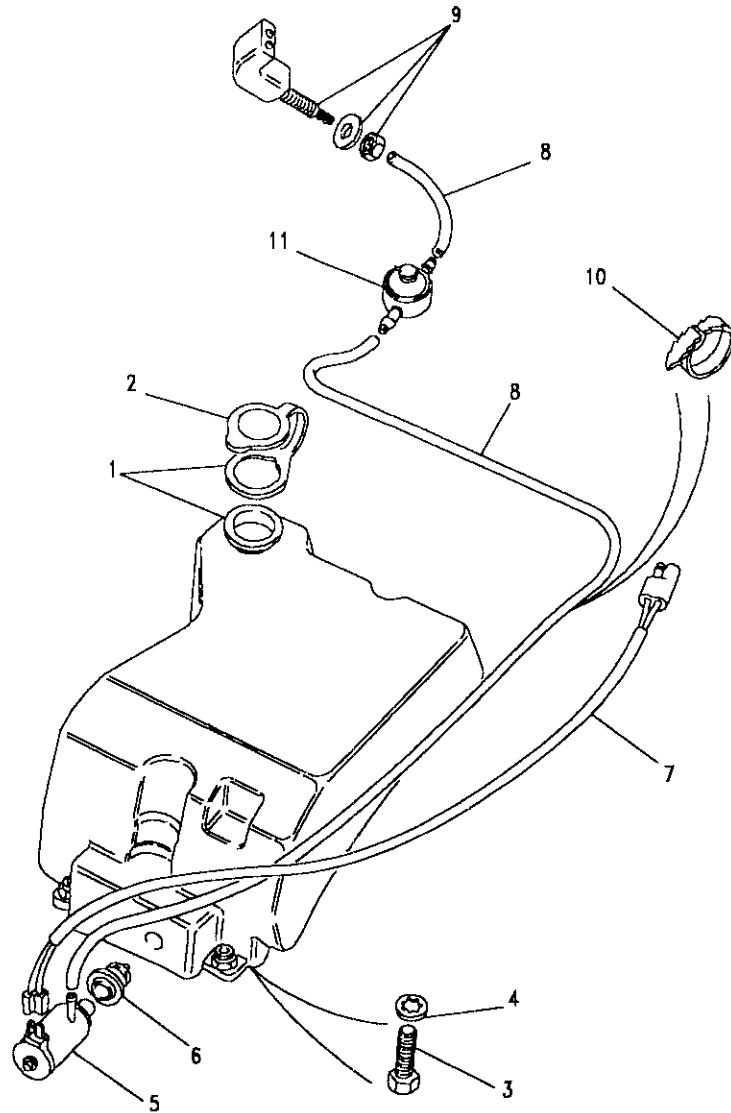
ELECTRICAL - WINDSCREEN WASH - NON AIR CON



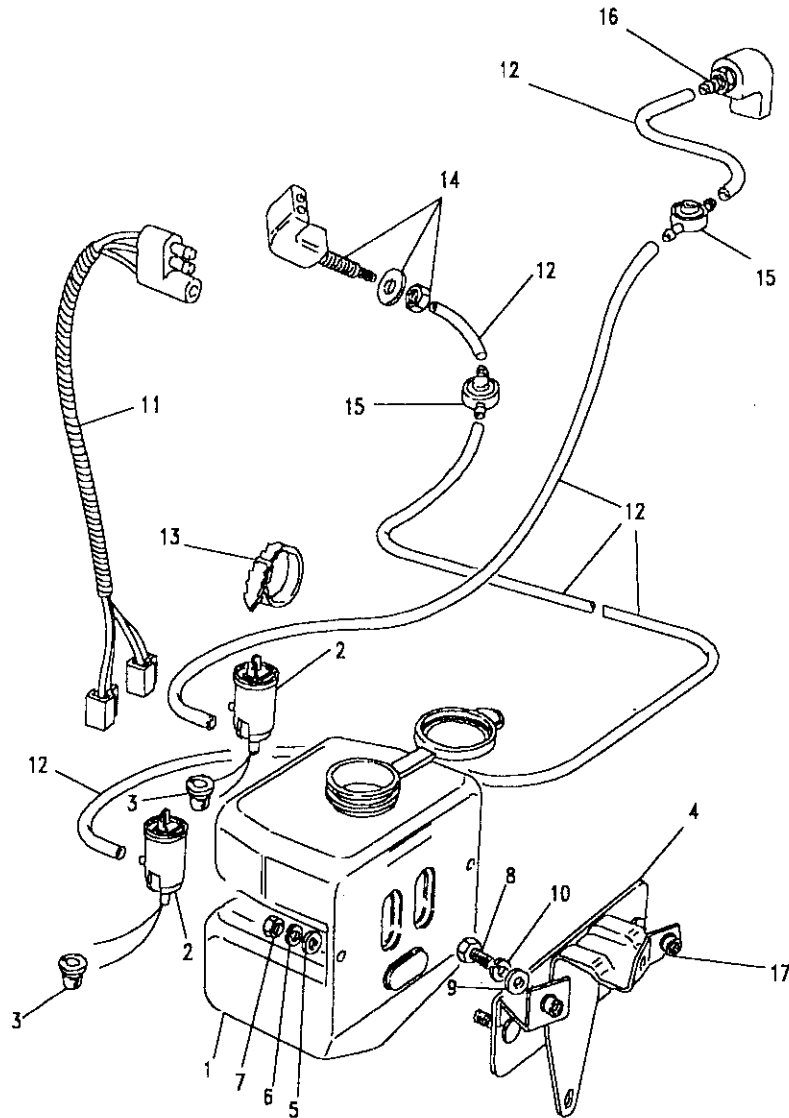
Ill. Part No.	Description	Qty	Remarks
1	AMR3756 Reservoir assembly	1	
2	PRC5744 Reservoir	1	
3	PRC8664 Cap reservoir	1	
4	ADU3905 Pump screenwash	1	
5	RTC3959 Grommet	1	
6	PRC5742 Bracket mounting RH	1	
	PRC5741 Bracket mounting LH	1	
7	WC106041L Washer plain	2	
8	WL106001L Washer spring	2	
9	NH106041L Nut	2	
10	SH106121L Screw	1	
11	WA106041L Washer plain	1	
12	WL106001L Washer spring	1	
13	PRC5738 Cable assy	1	Up to LA939975
	AMR2474 Cable assy	1	From MA939976
14	RTC3650 Tubing	A/R	
15	RTC222 Strap	3	
16	PRC5736 Jet windscreen	1	Up to LA930671
	AMR3025 Jet windscreen	1	From LA930672
17	AMR3012 Clip retaining	1	From LA930672
18	NN106021 Nut anchor	2	
19	ACU5037 Valve non return	1	From HA455596

**Model** DEFENDER 110 1987 onwards  
**Page** AFMXMC2A

**ELECTRICAL - WINDSCREEN WASH - AIR CON**



III. Part No.	Description	Qty	Remarks
1	PRC5756	1	Reservoir
2	PRC2854	1	Cap reservoir
3	78210	3	Screw
4	WF600041L	3	Washer shakeproof
5	DRC2713L	1	Pump screenwash
6	RTC5827	1	Grommet
7	PRC3794	1	Cable assembly
	AMR2978	1	Cable assembly
8	RTC3650	AVR	Tubing
9	PRC5736	1	Jet windscreen
	AMR3025	1	Jet windscreen
	AMR3012	1	Clip retaining
10	RTC222	3	Strap
11	ACU5037	1	Valve non return



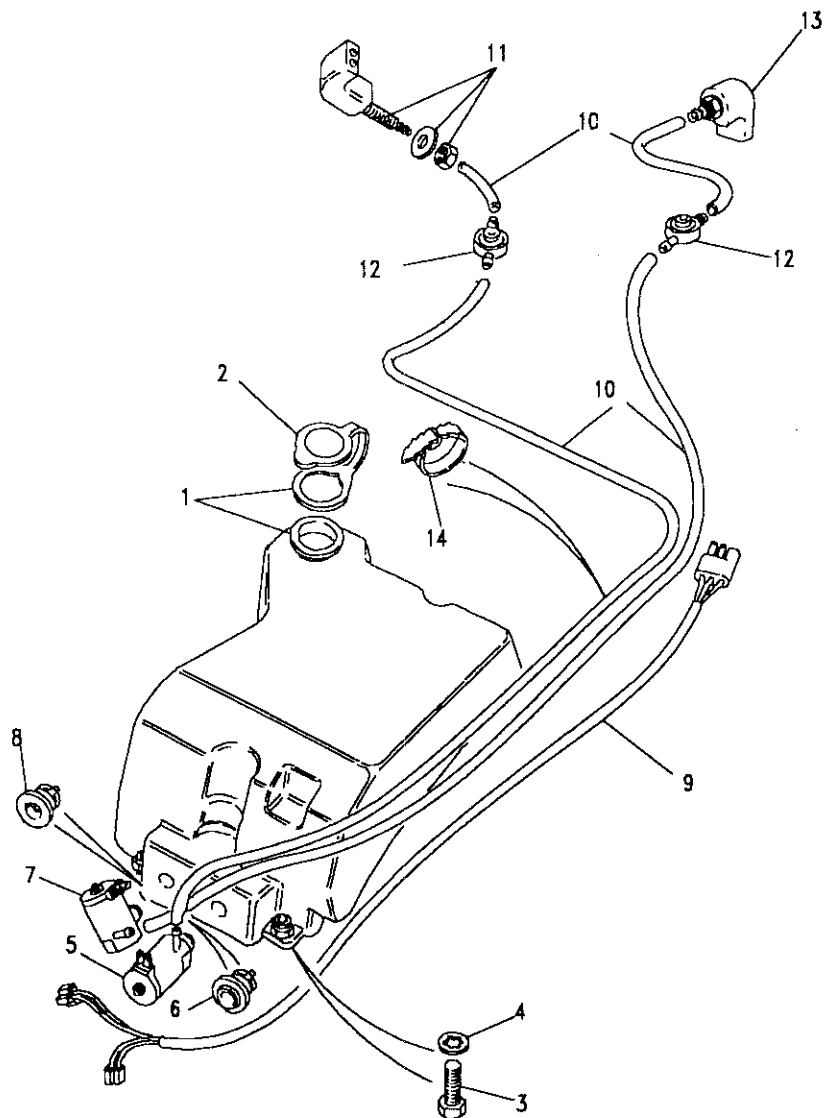
**Model** DEFENDER 110 1987 onwards  
**Page** AFMXMC4A

**ELECTRICAL - FRONT/REAR SCREEN WASH**

III. Part No.	Description	Qty	Remarks
1	PRC5747	1	Reservoir
	PRC8664	1	Cap reservoir
2	ADU3905	2	Pump screenwash
3	RTC3959	2	Grommet
4	PRC5742	1	Bracket mounting RH
	PRC5741	1	Bracket mounting LH
5	WC106041L	2	Washer plain
6	WL106001L	2	Washer spring
7	NH106041L	2	Nut
8	SH106121L	1	Screw
9	WA106041L	1	Washer plain
10	WL106001L	1	Washer spring
11	PRC5738	1	Cable assy
	AMR2474	1	Cable assy
12	RTC3650	A/R	Tubing
13	RTC222	3	Strap
14	PRC5736	1	Jet windscreen
	AMR3025	1	Jet windscreen
	AMR3012	1	Clip retaining
15	ACU5037	1	Valve non return
	ACU5037	1	Valve non return
16	PRC5802	1	Jet rear screen
	AMR3026	1	Jet rear screen
	AMR3012	1	Clip retaining
17	NN106021	2	Nut anchor

**Model** DEFENDER 110 1987 onwards  
**Page** AFMXMC1A

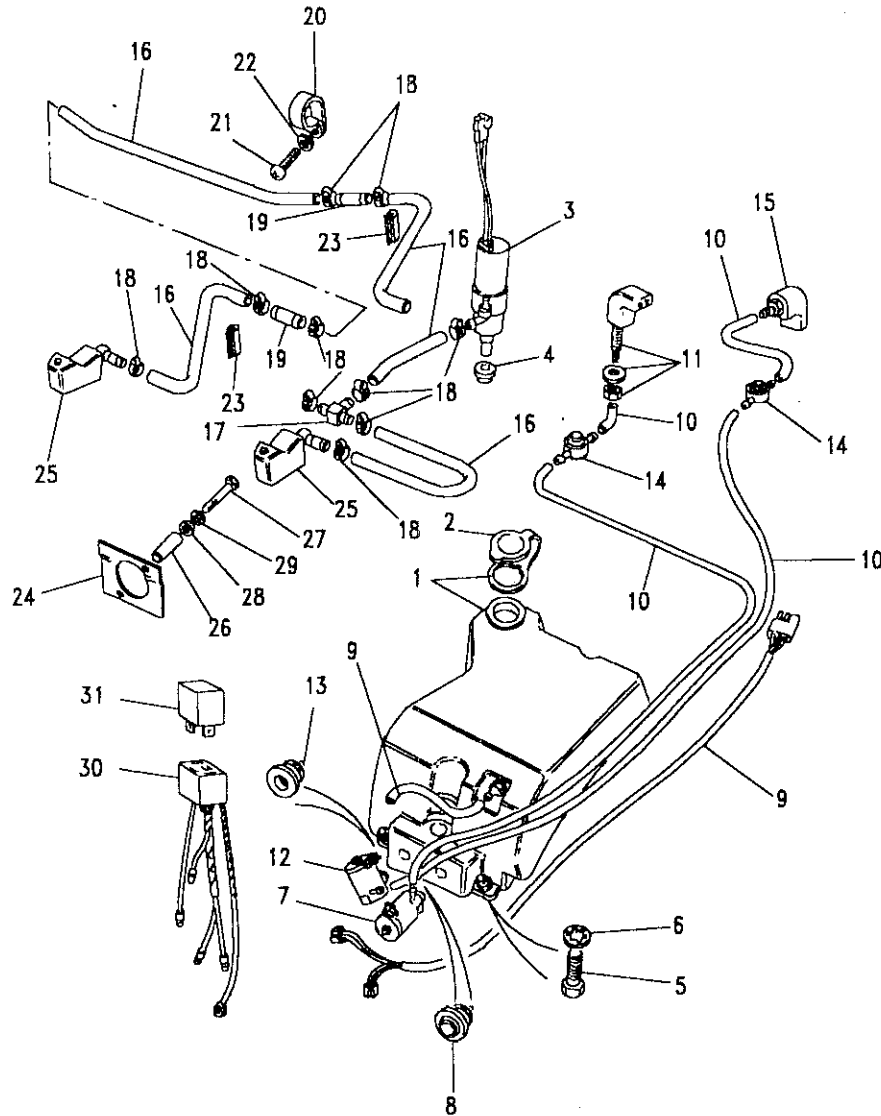
**ELECTRICAL - FRONT/REAR SCREEN WASH - AIR CON**



III. Part No.	Description	Qty	Remarks
1	PRC5765	1	Reservoir
2	PRC2854	1	Cap reservoir
3	78210	3	Screw
4	WF600041L	3	Washer shakeproof
5	DRC2713L	1	Pump windscreen wash
6	RTC5827	1	Grommet
7	ADU6693L	1	Pump rear screen wash
8	RTC5828	1	Grommet
9	PRC5739	1	Cable assembly
	AMR2979	1	Cable assembly
10	RTC3650	A/R	Tubing
11	PRC5736	1	Jet windscreen
	AMR3025	1	Jet windscreen
	AMR3012	1	Clip retaining
12	ACU5037	1	Valve non return
	ACU5037	1	Valve non return
13	PRC5802	1	Jet rear screen
	AMR3026	1	Jet rear screen
	AMR3012	1	Clip retaining
14	RTC222	3	Strap

Model DEFENDER 110 1987 onwards  
 Page AFMXME2A

**ELECTRICAL - HEADLAMP AND SCREEN WASH - NON AIR CON**



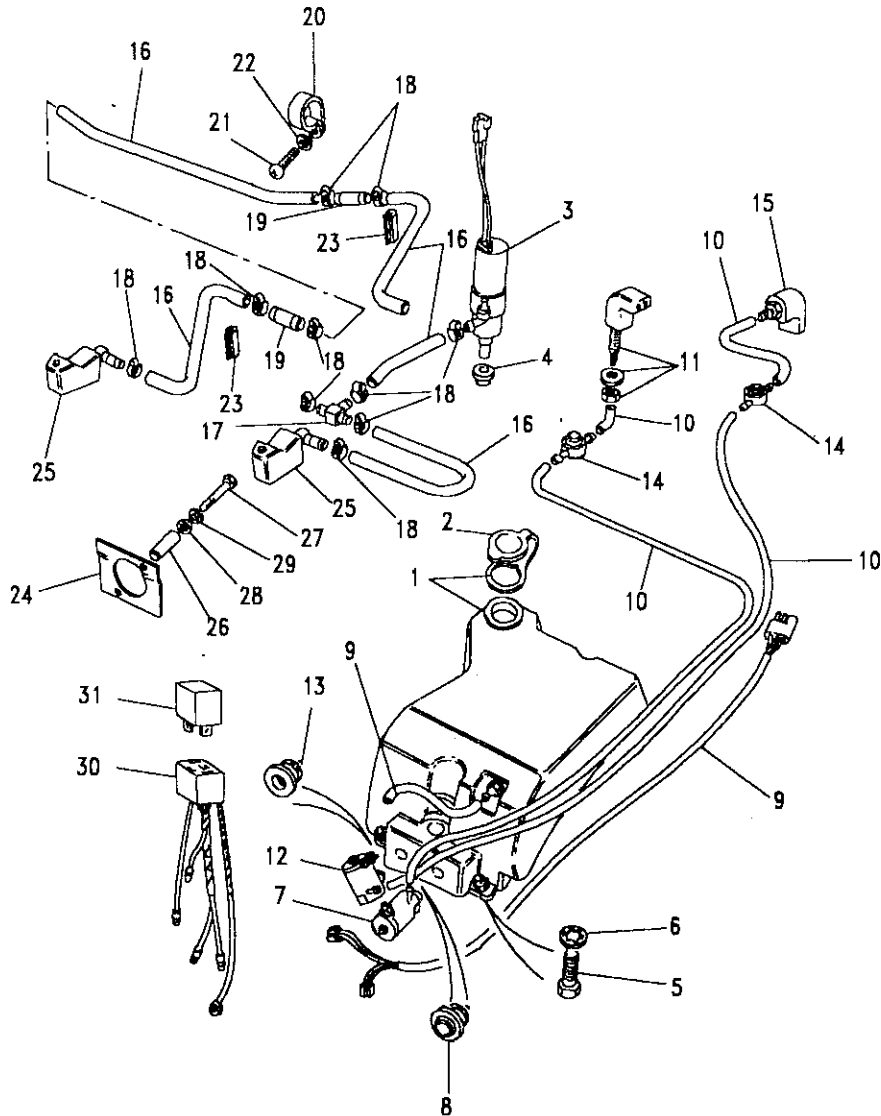
III. Part No.	Description	Qty	Remarks
1	PRC5777	1	Reservoir
2	PRC2854	1	Cap reservoir
3	ADU6409L	1	Pump headlamp wash
4	ADU6418L	1	Grommet
5	78210	3	Screw
6	WF600041L	3	Washer shakeproof
7	DRC2713L	1	Pump windscreen wash
8	RTC5827	1	Grommet
9	PRC5739	1	Cable assembly
	AMR2979	1	Cable assembly
10	RTC3650	A/R	Tubing
11	PRC5736	1	Jet windscreen
	AMR3025	1	Jet windscreen
	AMR3012	1	Clip retaining
12	ADU6693L	1	Pump rear screen
13	RTC5828	1	Grommet
14	ACU5037	1	Valve non return
	ACU5037	1	Valve non return
15	PRC5802	1	Jet rear screen
	AMR3026	1	Jet rear screen
	AMR3012	1	Clip retaining
16	RTC4848	A/R	Tubing
17	EAM5549L	1	Tee piece
18	CJ600041L	8	Clip hose
19	PRC3030	2	Connector
20	C34950L	3	Clip retaining
21	AB606051L	3	Screw
22	WA104001L	3	Washer plain
23	DRC1530	2	Finisher edge
24	MRC8564	2	Stiffener
25	PRC2291	2	Jet headlamp wash
26	PRC3250	4	Spacer
27	BH106141L	4	Bolt



Model DEFENDER 110 1987 onwards  
Page AFMXME2A

ELECTRICAL - HEADLAMP AND SCREEN WASH - NON AIR CON

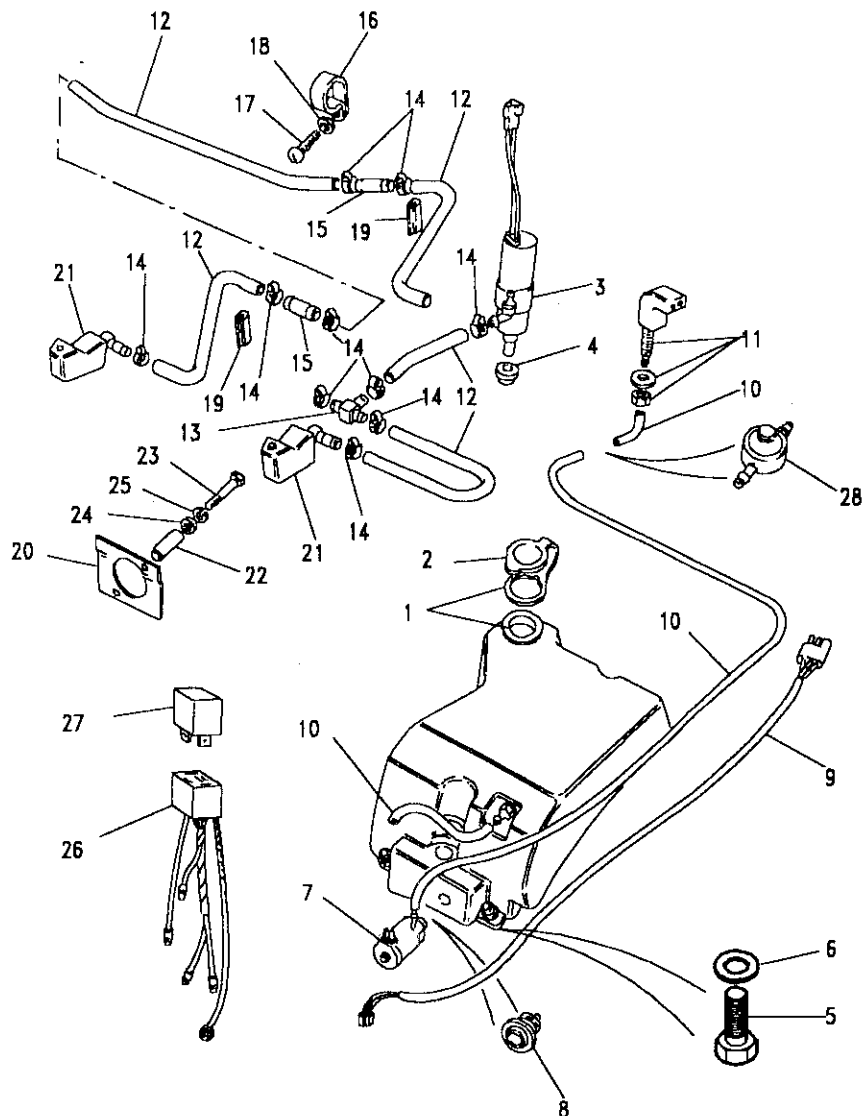
III. Part No.	Description	Qty	Remarks
28	WA106041L Washer plain	4	
29	WL106001L Washer spring	4	
30	PRC5141 Cable Assy power wash	1	
31	ADU1784L Delay unit	1	



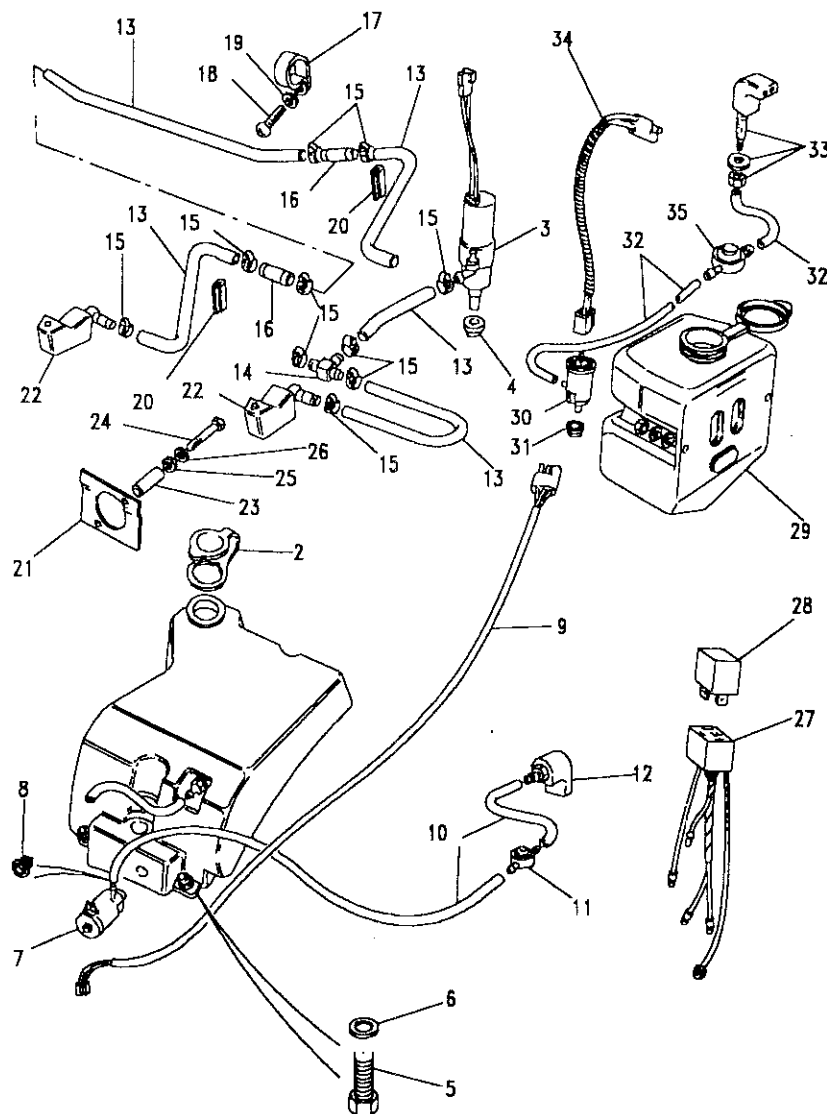


Model DEFENDER 110 1987 onwards  
 Page AFMXME3A

**ELECTRICAL - HEADLAMP AND WINDSCREEN WASH - AIR CON**



III. Part No.	Description	Qty	Remarks
1	PRC5773	1	Reservoir
2	PRC2854	1	Cap reservoir
3	ADU6409L	1	Pump headlamp wash
4	ADU6418L	1	Grommet
5	78210	3	Screw
6	WF600041L	3	Washer shakeproof
7	DRC2713L	1	Pump windscreen wash
8	RTC5827	1	Grommet
9	PRC3794	1	Cable assembly
	AMR2978	1	Cable assembly
10	RTC3650	A/R	Tubing
11	PRC5736	1	Jet windscreen
	AMR3025	1	Jet windscreen
	AMR3012	1	Clip retaining
12	RTC4848	A/R	Tubing
13	EAM5549L	1	Tee piece
14	CJ600041L	8	Clip hose
15	PRC3030	2	Connector
16	C34950L	3	Clip retaining
17	AB606051L	3	Screw
18	WA104001L	3	Washer plain
19	DRC1530	2	Finisher edge
20	MRC8564	2	Stiffener
21	PRC2291	2	Jet headlamp wash
22	PRC3250	4	Spacer
23	BH106141L	4	Bolt
24	WA106041L	4	Washer plain
25	WL106001L	4	Washer spring
26	PRC5141	1	Cable assy power wash
27	ADU1784L	1	Delay unit
28	ACU5037	1	Valve non return
			From HA455596



Model DEFENDER 110 1987 onwards

Page AFMXME1A

## ELECTRICAL - HEADLAMP/FRONT/REAR SCREEN WASH

III. Part No. Description Qty Remarks

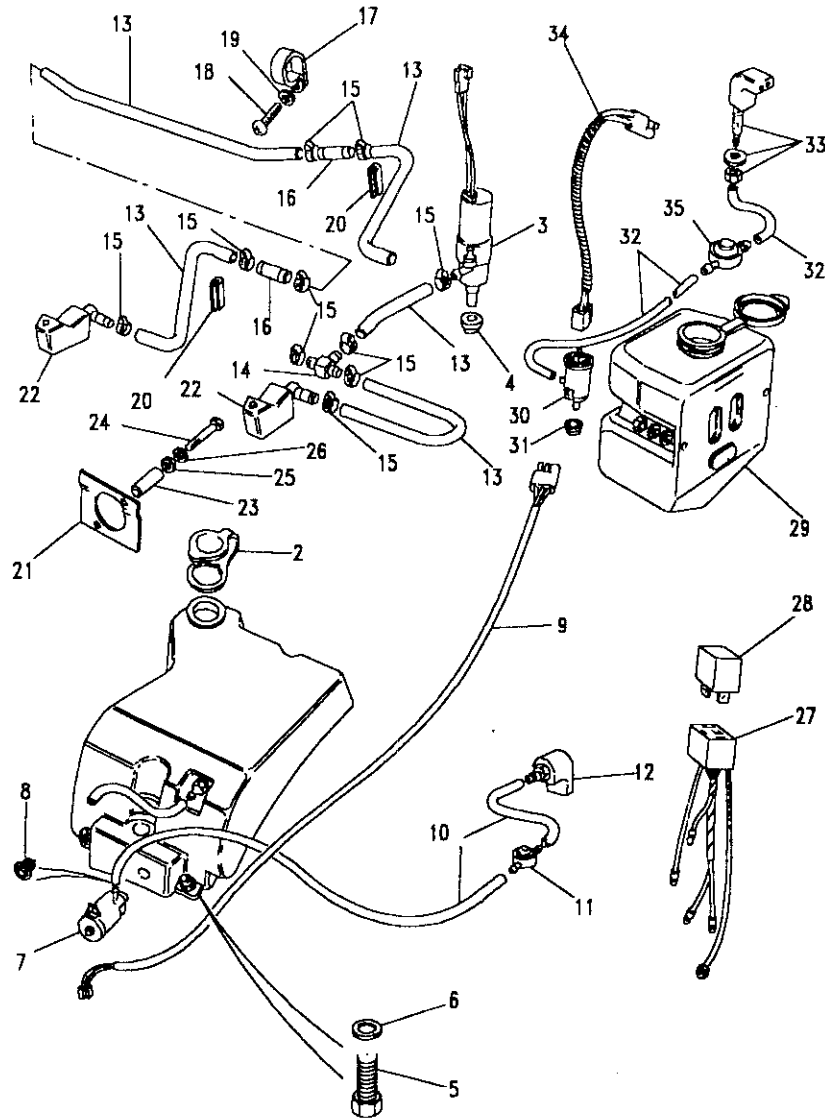
## Finland and Sweden only

Part No.	Description	Qty	Remarks
1	PRC5773	1	Reservoir
2	PRC2854	1	Cap reservoir
3	ADU6409L	1	Pump headlamp wash
4	ADU6418L	1	Grommet
5	78210	3	Screw
6	WF600041L	3	Washer shakeproof
7	DRC2713L	1	Pump rear screen wash
8	RTC5827	1	Grommet
9	PRC3794	1	Cable assembly
	AMR2978	1	Cable assembly
10	RTC3650	A/R	Tubing
11	ACU5037	1	Valve non return
12	PRC5802	1	Jet rear screen
	AMR3026	1	Jet rear screen
	AMR3012	1	Clip retaining
13	RTC4848	A/R	Tubing
14	EAM5549L	1	Tee piece
15	CJ600041L	8	Clip hose
16	PRC3030	2	Connector
17	C34950L	3	Clip retaining
18	AB605051L	3	Screw
19	WA104001L	3	Washer plain
20	DRC1530	2	Finisher edge
21	MRC8564	2	Stiffener
22	PRC2291	2	Jet headlamp wash
23	PRC3250	4	Spacer
24	BH106141L	4	Bolt
25	WA106041L	4	Washer plain
26	WL106001L	4	Washer spring
27	PRC5141	1	Cable assy headlamp wash
28	ADU1784L	1	Delay unit
29	PRC5744	1	Reservoir windscreen wash
	PRC8664	1	Cap reservoir

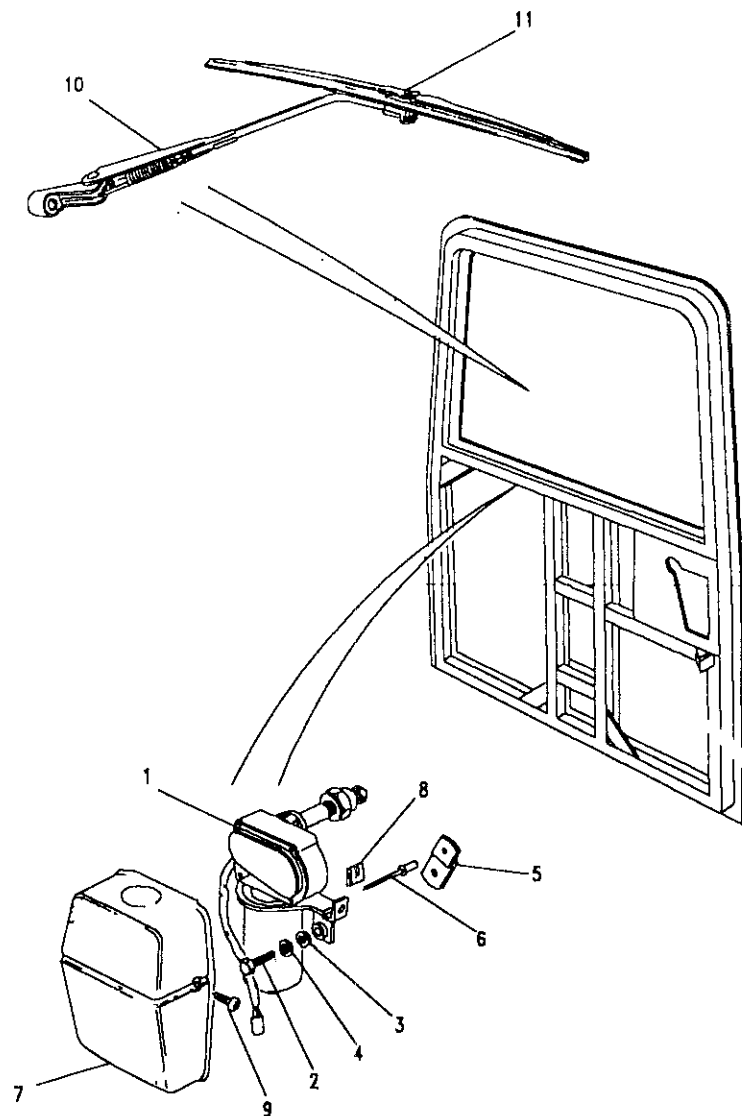


**Model** DEFENDER 110 1987 onwards  
**Page** AFMXME1A

**ELECTRICAL - HEADLAMP/FRONT/REAR SCREEN WASH**



III. Part No.	Description	Qty	Remarks
30	ADU3905	1	Pump windscreen wash
31	RTC3959	1	Grommet
32	RTC3650	A/R	Tubing
33	PRC5736	1	Jet windscreen
	AMR3025	1	Jet windscreen
	AMR3012	1	Clip retaining
34	PRC3794	1	Cable assembly
	AMR2978	1	Cable assembly
35	ACU5037	1	Valve non return



**Model** DEFENDER 110 1987 onwards  
**Page** AFMXMI1A

**ELECTRICAL - REAR WASH WIPE**

III. Part No.	Description	Qty	Remarks
1 PRC4612	Motor wiper rear - Imos	1	Up to JA910750
AMR1054	Motor wiper rear - Delco	1	From JA910751
2 SR106251L	Screw	1	
3 WA106041L	Washer plain	1	
4 WL106001L	Washer spring	1	
5 MUC1286	Bracket mounting	1	Up to JA910750
ALR2622	Bracket mounting	1	From JA910751
6 RA610167	Rivet	1	Up to JA910750
RA612207L	Rivet	1	From JA910751
7 PRC4613	Cover	1	Black
			Up to Note(1)
PRC4613LCS	Cover	1	Grey
			From Note(1)
			Up to JA910750
BTR3792LCS	Cover	1	Grey
			From JA910751
8 AK608141L	Nut spire	2	
9 DA608044L	Screw	2	
STC443	Arm wiper and blade	1	Up to VIN 451222
10 PRC8558	Arm wiper	1	From VIN 451223
11 RTC6856	Blade wiper	1	Up to VIN 451222
PRC8559	Blade wiper	1	From VIN 451223

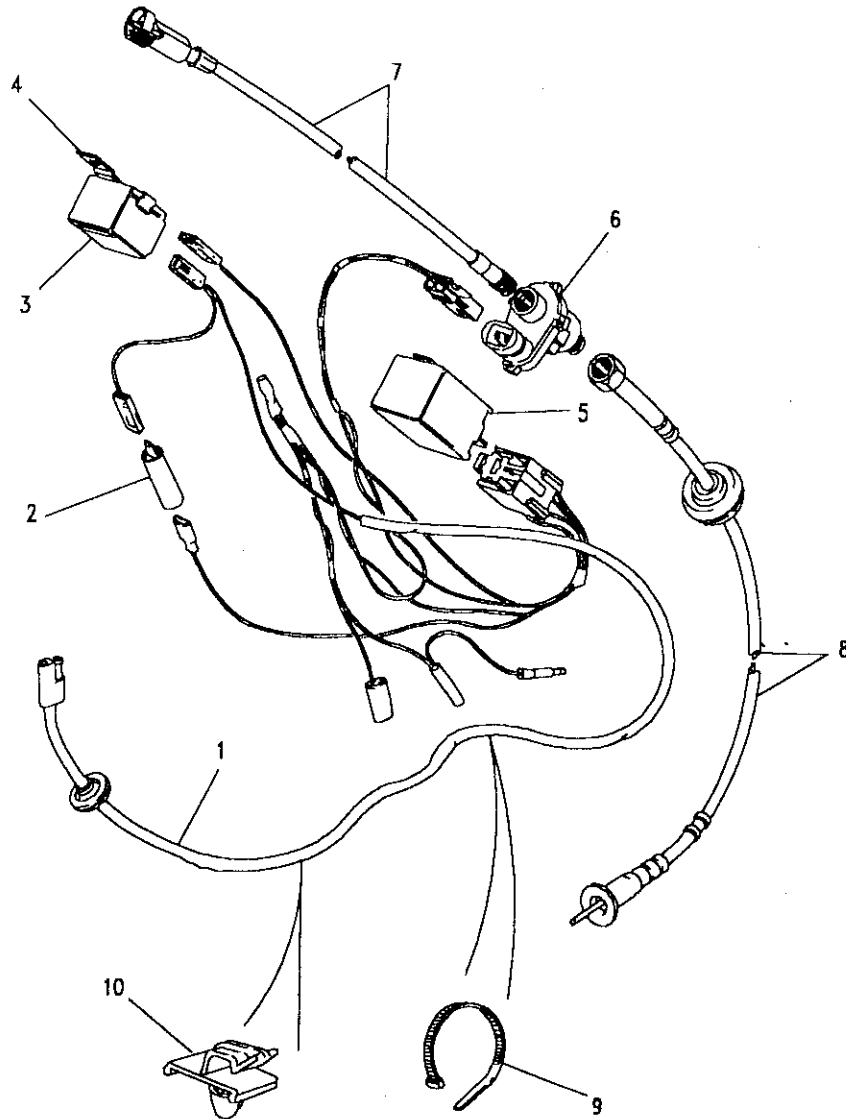
Note(1) EA314268 - Introduction of 1988 Model Year.





Model DEFENDER 110 1987 onwards  
Page AFMXVA1A

ELECTRICAL - SEAT BELT AND OVERSPEED WARNING SYSTEM



Ill. Part No.	Description	Qty	Remarks
1	PRC4301 AMR3039	1	Cable assembly Harness seat belt warning
2	AAU5034	1	Diode
3	PRC4299	1	Buzzer
4	PRC4304	1	Clip buzzer mounting
	SE105121	1	Screw M5
	WA105041	1	Washer plain
	NH105041	1	Nut M5
5	PRC4268	1	Overspeed monitor unit
	AFU2879	2	Clip monitor unit
	DRC1245	1	Bracket mounting
	AR606021	1	Screw
6	PRC4497	1	Sensor vehicle speed
7	PRC4298	1	Cable speedometer upper
8	PRC4282	1	Cable speedometer lower
	PRC6037	1	Cable speedometer upper
	PRC6036	1	Cable speedometer lower
9	C43640	5	Cable tie
10	AFU2879	2	Cable clip

Note(1) Seat belt and overspeed warning.  
Note(2) Fitted from MA939976.





## MASTER INDEX

	PAGES	GROUP N	
INTRODUCTION PAGES	1 - 7		
ALPHABETICAL INDEX	8 - 16		
ENGINE	17 - 66		
ENGINE	67 - 119		
ENGINE	120 - 166		
ENGINE	167 - 209		
ENGINE	210 - 245		
ENGINE	246 - 299		
GEARBOX	300 - 326		
GEARBOX	327 - 344		
GEARBOX	345 - 359		
TRANSFER BOX	360 - 378		
TRANSFER BOX	379 - 397		
AXLES AND SUSPENSION	398 - 444		
STEERING	445 - 471		
VEHICLE AND ENGINE CONTROLS	472 - 486		
BRAKES	487 - 517		
FUEL SYSTEM AND AIR CLEANER	518 - 579		
EXHAUST SYSTEM	580 - 593		
COOLING/HEATING	594 - 637		
COOLING/HEATING	638 - 641		
COOLING/HEATING	642 - 649		
COOLING/HEATING	650 - 655		
COOLING/HEATING	656 - 666		
BODY ELECTRICAL	667 - 740		
BODY AND CHASSIS	741 - 909		
INTERIOR TRIM	910 - 955		
SEATS	956 - 1036		
STOWAGE	1037 - 1046		
ACCESSORIES - PAINTS	1047 - 1074		
NUMERICAL INDEX	1076 - 1151		
		BODY AND CHASSIS	
		BODY AND CHASSIS	
		CHASSIS FRAME	743 - 745
		CHASSIS FITTINGS	746
		FRONT BUMPER & BUMPERETTES	747
		REAR BUMPERETTES AND LIFTING RINGS	748
		RECOVERY RING AND LIFTING HANDLE	749
		DASH ASSEMBLY	750 - 751
		DASH VENTILATOR - NON AIR CON	752
		DASH VENTILATOR - AIR CON	753
		DIAPHRAGM AND TUNNEL PANELS	754 - 755
		FLOOR PLATES	756 - 757
		SEAT BASE	758 - 759
		SEATBASE FITTINGS	760 - 762
		SILL PANELS - EXCEPT STATION WAGON	763 - 765
		SILL PANELS - STATION WAGON	766 - 768
		RADIATOR GRILLE	769 - 770
		HAND/CHAFF GUARD	771
		RADIATOR BAFFLE PLATE	772
		GRILLE TOP PANEL AND BRACES	773
		BONNET RELEASE	774
		BONNET	775
		BONNET PROPS	776
		FRONT WINGS	777 - 781
		FRONT WINGS - WHEELARCH AND EYEBROW	782 - 785
		WINDSCREEN	786 - 787
		FRONT DOOR CLINCHED ASSEMBLY	788
		FRONT DOOR - HINGES AND DOOR CHECK	789 - 790
		FRONT DOOR - SEALS	791
		REAR SIDE DOOR CLINCHED ASSEMBLY	792
		REAR SIDE DOOR - HINGES AND DOORCHECK	793 - 794
		REAR SIDE DOOR - FRAME AND SEALS	795
		REAR END DOOR	796 - 798
		REAR END DOOR CHECK MECHANISM	799 - 800
		SEALS - REAR END DOOR	801
		FRONT DOOR - GLASS & WINDOW REGULATOR	802 - 803
		REAR SIDE DOOR - GLASS & REGULATOR	804 - 806
		FRONT DOOR - LOCK MECHANISM	807 - 809
		REAR SIDE DOOR - LOCK MECHANISM	810 - 812
		REAR END DOOR - LOCKING MECHANISM	813 - 814





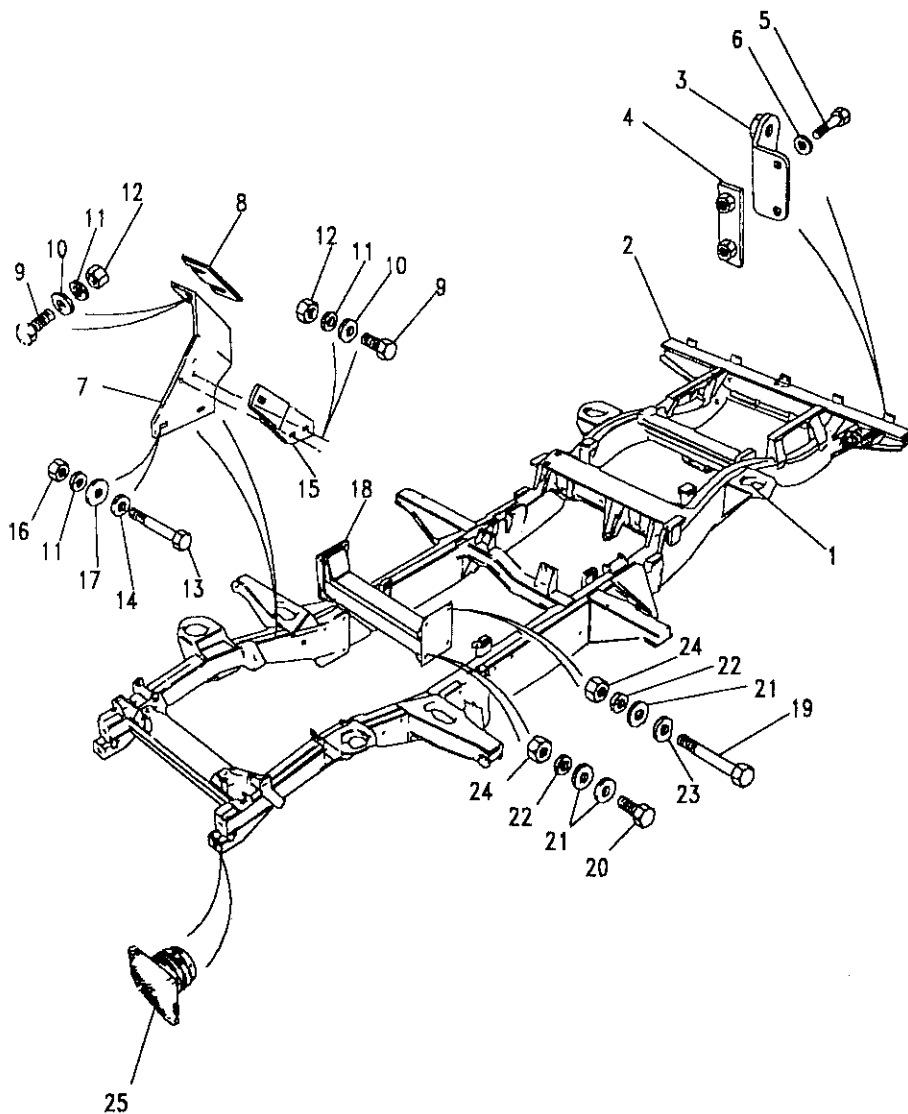
## DEFENDER 110 1987 onwards

742

## BODY AND CHASSIS

BARREL LOCK AND KEYS	815
TAILBOARD - LOWER HINGED	816
TAILBOARD - SIDE HINGED	817 - 820
TAILGATE - HIGH CAPACITY PICK UP	821 - 822
CAB BASE ASSEMBLY	823 - 824
CAB REAR PANEL	825 - 827
REAR BODY LOWER - NON STATION WAGON	828 - 835
REAR BODY LOWER - STATION WAGON	836 - 843
REAR BODY LOWER - HIGH CAPACITY PICK UP	844 - 854
REAR BODY UPPER - HARD TOP	855 - 859
REAR BODY UPPER - STATION WAGON	860 - 866
ROOF - HARD TOP AND STATION WAGON	867 - 869
ROOF - TRUCK CAB	870 - 871
SUNROOF	872 - 873
REAR EYEBROWS	874 - 875
REAR LAMPS PROTECTION	876
STIRRUP STEP - SIDE DOORS	877
FOLDING STEP - SIDE DOORS - NOT GERMANY	878 - 879
FOLDING STEP - REAR END DOOR	880
DECALS - UP TO 1991 MODEL YEAR	881
DECALS - FROM 1991 MODEL YEAR	882 - 883
BODYTAPES	884 - 889
MIRRORS - INTERIOR AND EXTERIOR	890
SPARE WHEEL CARRIER - BONNET	891
SPARE WHEEL CARRIER - REAR END DOOR	892
HOOD - FULL LENGTH	893 - 894
HOOD - THREE QUARTER LENGTH - CAB FIXING	895 - 896
HOOD - THREE QUARTER LENGTH - BULKHEAD FIXING	897
HOOD - HIGH CAPACITY PICK UP	898 - 899
DRAIN CHANNELS - FULL LENGTH HOOD	900 - 901
HOODSTICKS - FULL LENGTH HOOD	902
HOODSTICKS - 3/4 HOOD - CAB FIXING	903 - 904
HOODSTICKS - 3/4 HOOD - BULKHEAD FIXING	905 - 906
HOODSTICKS - HIGH CAPACITY PICK UP	907
LADDER RACK - HIGH CAPACITY PICK UP	908
ROLL OVER BAR - HIGH CAPACITY PICK UP	909





Model DEFENDER 110 1987 onwards

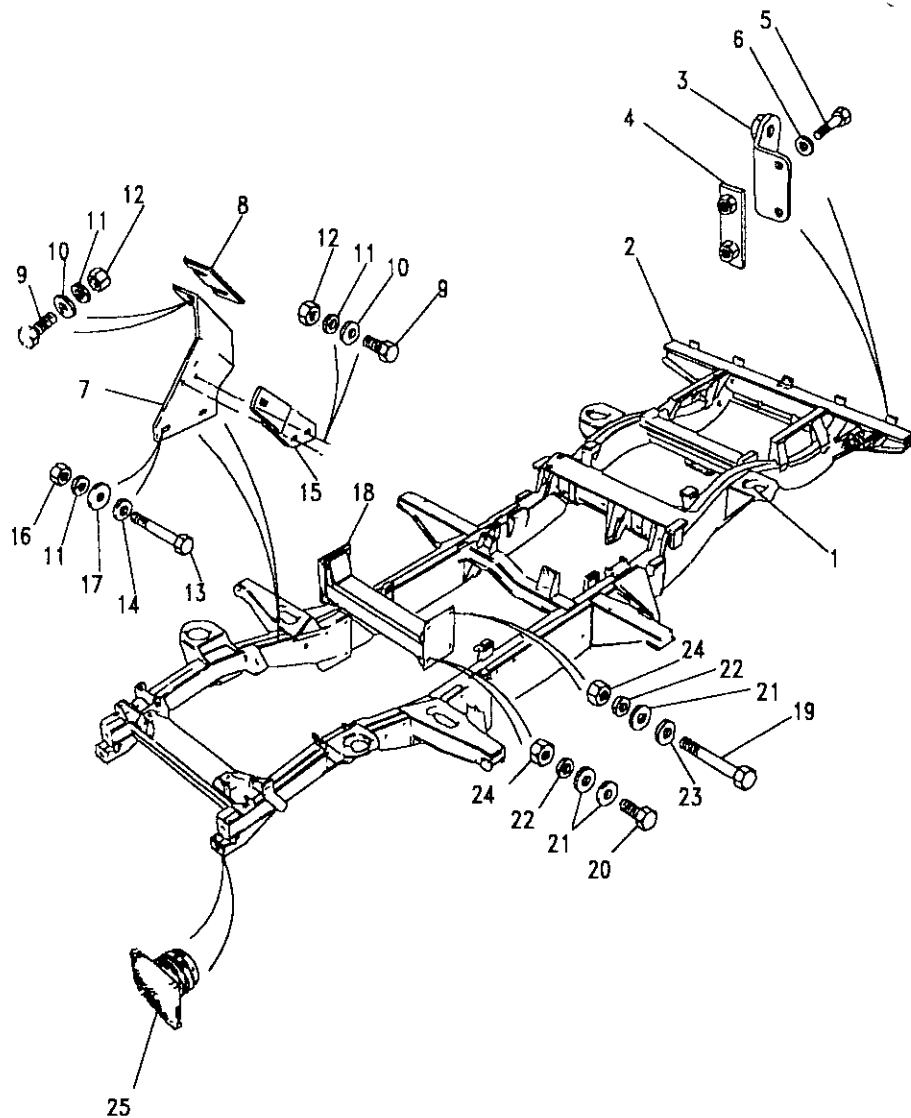
Page AFNXAA1A

**CHASSIS - CHASSIS FRAME**

III. Part No.	Description	Qty	Remarks
<b>Defender 110 - 4 Cylinder</b>			
1	NTC7843	1	Chassis frame
	NTC9481	1	Chassis frame
2	ANR2054	1	Crossmember rear
<b>Defender 110 - V8</b>			
1	NTC7844	1	Chassis frame
	NTC9485	1	Chassis frame
2	ANR2054	1	Crossmember rear
<b>Defender 110 - 300 TDI only</b>			
1	NTC9493	1	Chassis frame
2	ANR2054	1	Crossmember rear
<b>Defender 130 - 4 Cylinder - Chassis Cab</b>			
1	ANR2326	1	Chassis frame
	NTC9502	1	Chassis frame
2	ANR2056	1	Crossmember rear
<b>Defender 130 - 4 Cylinder - Crew Cab</b>			
1	RRC6874	1	Chassis frame
	ANR2327	1	Chassis frame
	NTC9366	1	Chassis frame
2	ANR2056	1	Crossmember rear







**Model** DEFENDER 110 1987 onwards  
**Page** AFNXAA1A

**CHASSIS - CHASSIS FRAME**

Ill. Part No.	Description	Qty	Remarks
<b>Defender 130 - V8 - Chassis Cab</b>			
1	NTC9500 Chassis frame	1	
2	ANR2056 Crossmember rear	1	
<b>Defender 130 - V8 - Crew Cab</b>			
1	NTC9501 Chassis frame	1	
2	ANR2056 Crossmember rear	1	
	RTC3354 Kit crossmember fitting	1	
<b>All variants</b>			
	STC8354 Outrigger front RH	1	
	STC8355 Outrigger front LH	1	
	STC8356 Outrigger rear	2	
3	NRC9749 Bracket support tailboard	2	
4	MRC5757 Nut plate	2	
5	FS108207L Screw	4	
6	WC108051L Washer plain	4	
7	NRC7436 Support RH toebox	1	
	NRC7435 Support LH toebox	1	
8	NRC7131 Packing piece	6	
9	AFU1499 Screw	4	
10	WA108051L Washer plain	16	
11	WL108001L Washer spring	8	
12	FN108041L Nut	8	
13	BH108201L Bolt	4	
14	WC108051L Washer plain	4	
15	NRC7164 Plate bridge LH	1	
	NRC7165 Plate bridge RH	1	
16	FN108041L Nut	4	
17	3898 Washer plain	4	

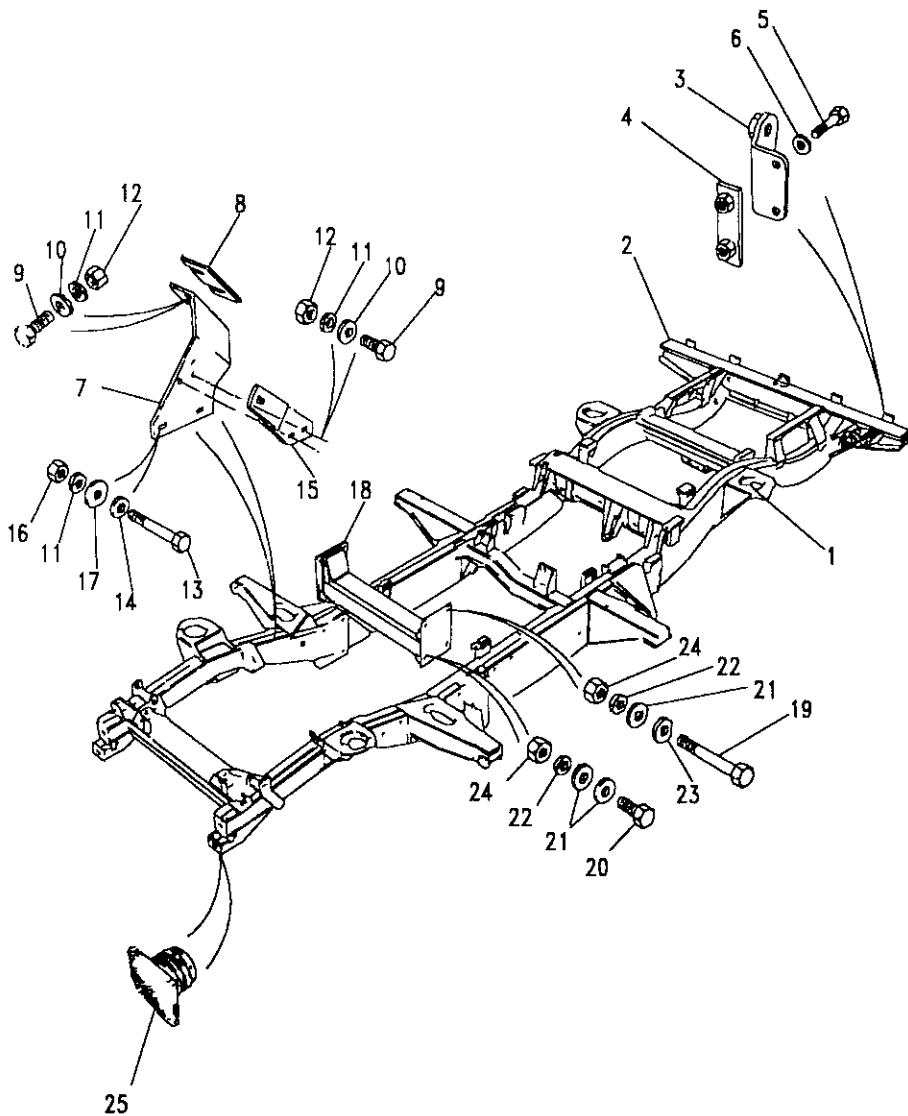




Model DEFENDER 110 1987 onwards  
Page AFNXAA1A

CHASSIS - CHASSIS FRAME

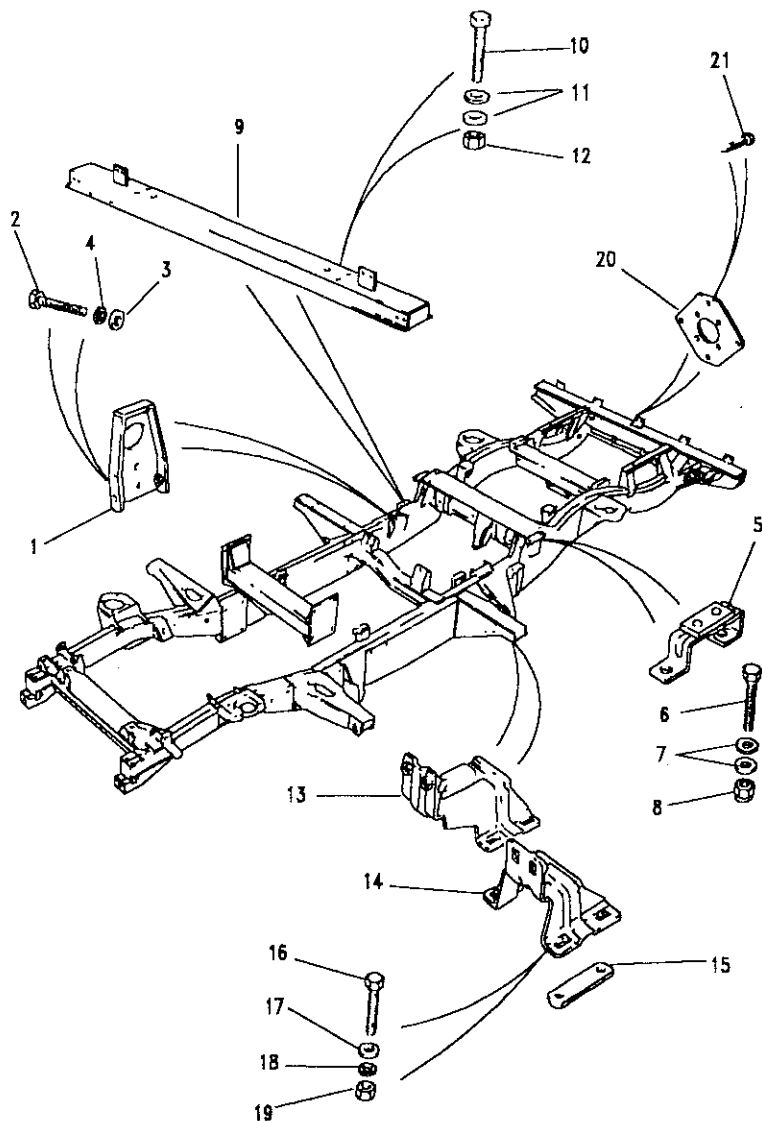
III. Part No.	Description	Qty	Remarks
<b>Square type</b>			
18 NRC7768	Crossmember detachable	1	
<b>Tubular type</b>			
NTC1963	Crossmember detachable	1	Up to HA906308
NTC9262	Crossmember detachable	1	From HA906309
19 BH110201L	Bolt	4	
20 SH110251L	Screw	4	
21 WC110061L	Washer plain	12	
22 WL110001L	Washer spring	8	
23 NRC5485	Washer	4	
24 NH110041L	Nut	8	
25 NRC6935	Plug jacking bracket	2	



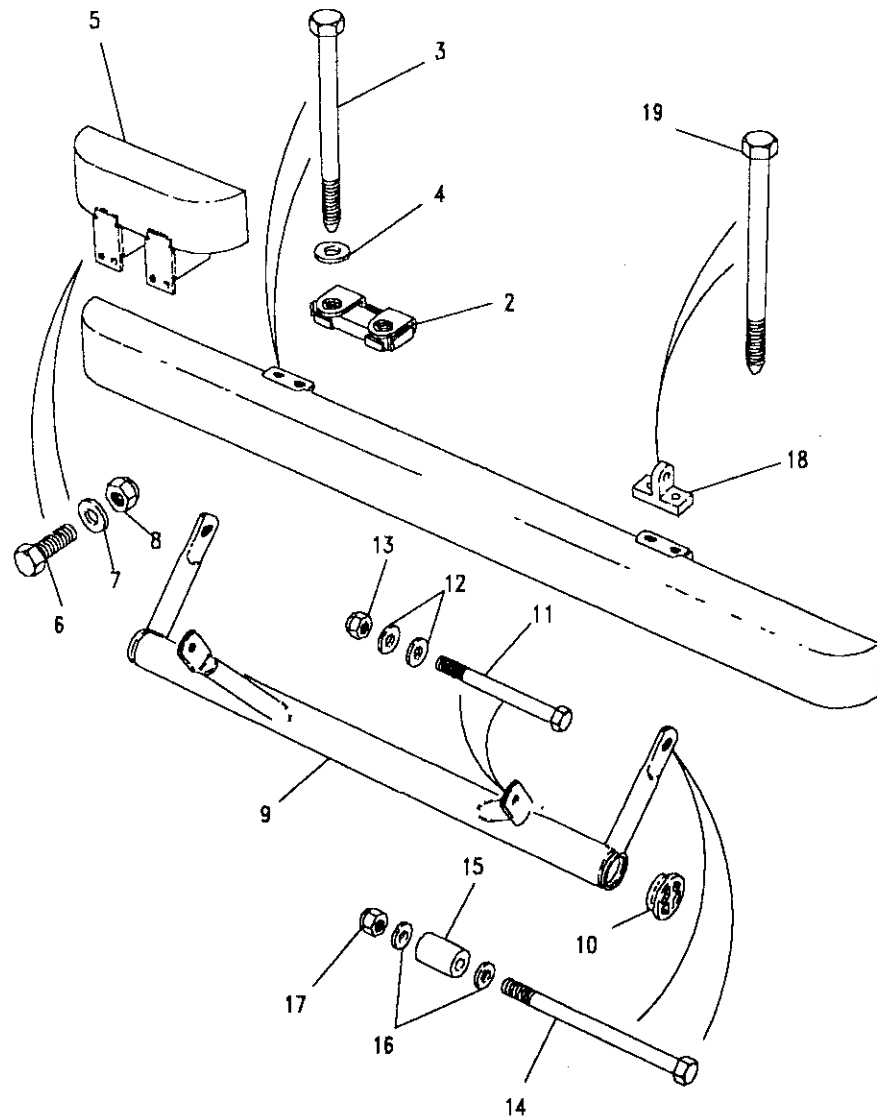
Model DEFENDER 110 1987 onwards

Page AFNXAA2A

CHASSIS - CHASSIS FITTINGS



III. Part No.	Description	Qty	Remarks
1	NRC4661	2	Pick up
2	SH106201	6	
3	WA106041L	6	
4	WL106001	6	
5	NRC5478	2	Pick up
6	FS108251L	4	
7	WA108051L	4	
8	NY108041L	4	
9	NRC4171	1	Station wagon
10	SH108701	4	
11	WA108051L	8	
12	NY108041L	4	
13	NRC7053	4	Pick up
14	NRC5665	4	Station wagon
	NRC7053	2	Chassis cab
	NRC6951	2	Chassis cab
15	NRC4693	8	
16	SH106201	16	
17	WC106041L	16	
18	WL106041	16	
19	NH106041L	16	
20	NRC4966	1	
21	SL106121	4	



**Model** DEFENDER 110 1987 onwards  
**Page** AFNXAC1A

### CHASSIS - FRONT BUMPER & BUMPERETTES

III. Part No.	Description	Qty	Remarks
1	NRC9211	1	Upto 314291
	NTC4657	1	From 314292
2	NRC6994	2	
3	AFU1386	4	Upto 341314
	NTC5401	4	From 341315
4	WA110061L	4	
5	NRC4733	2	Option
6	SH110251L	16	
7	WA110061L	16	
8	NY110041L	16	
9	NRC7009	1	Option
10	NRC5886	2	
	BH110241L	2	
12	WA110061L	4	
13	NY110041L	2	
14	253952	2	
15	NRC5627	1	
16	WC112081	2	
	2222	2	
17	252164	2	
18	559882	2	Option
19	AFU1387	4	Upto 341314
	NTC5401	4	From 341315
<b>Germany</b>			
	NRC7571	4	Cover bumper protection
	NRC7439	2	Pad bumper protection
	78248	8	Rivet

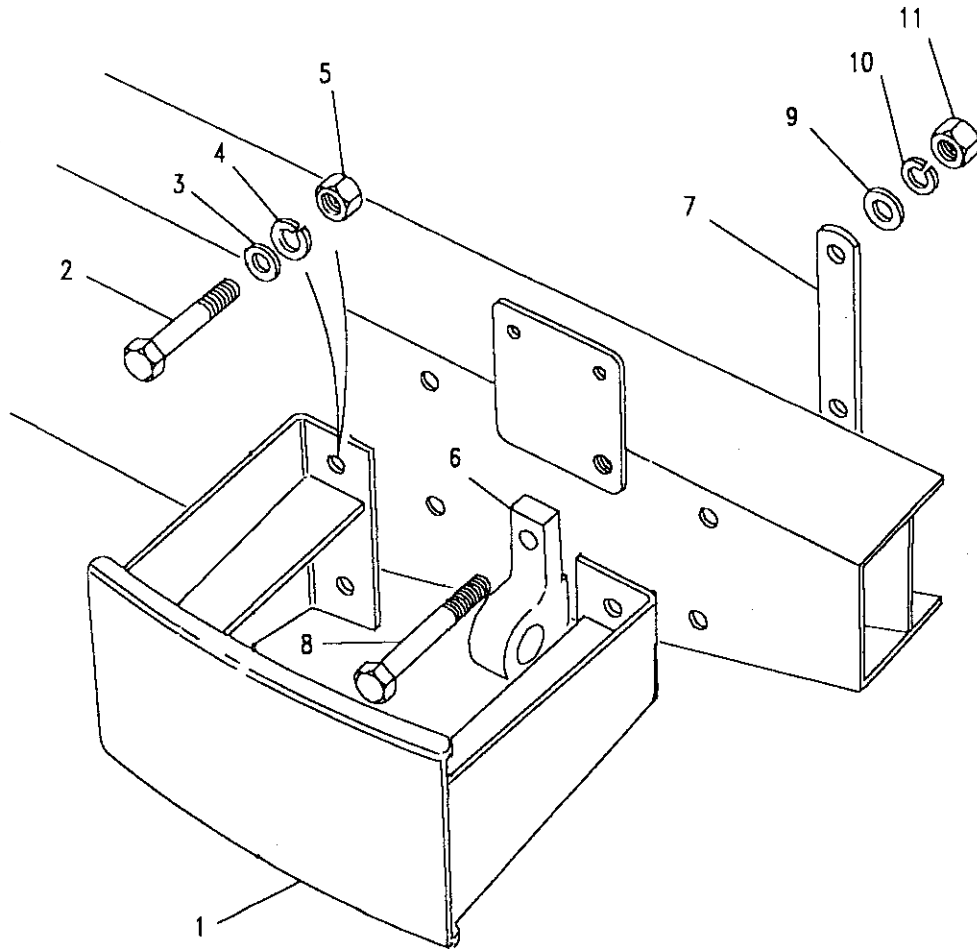


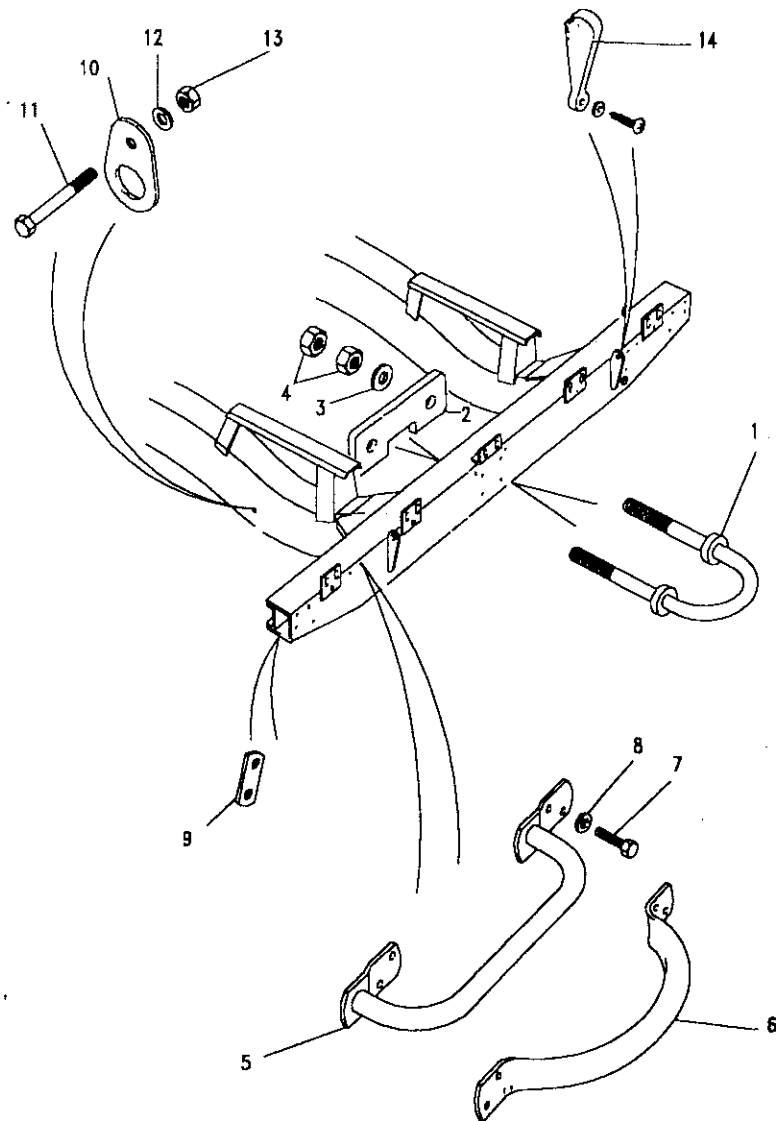


Model DEFENDER 110 1987 onwards  
Page AFNXAE1A

CHASSIS - REAR BUMPERETTES AND LIFTING RINGS

III. Part No.	Description	Qty	Remarks
1	RRC2970	1	Bumperette RH
	RRC2971	1	Bumperette LH
2	FB110141L	8	Bolt
3	WA110061L	8	Washer plain
4	WL110001L	8	Washer spring
5	NY110041L	8	Nut
6	NRC4853	2	Ring lifting
7	NRC4854	2	Plate backing
8	BH110181L	4	Bolt
9	WA110061L	4	Washer plain
10	WL110001L	4	Washer spring
11	NY110041L	4	Nut



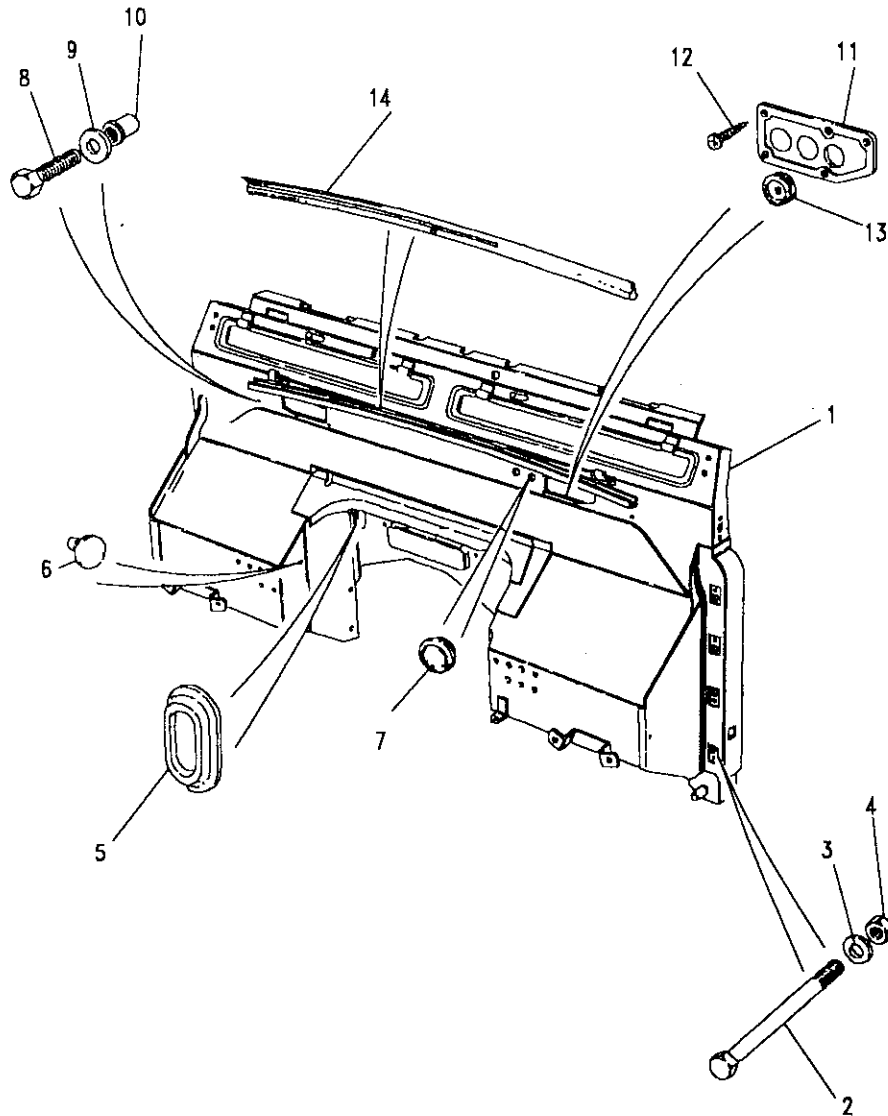


**Model** DEFENDER 110 1987 onwards  
**Page** AFNXAG1A

**CHASSIS - RECOVERY RING AND LIFTING HANDLE**

III. Part No.	Description	Qty	Remarks
1	NRC5396 Ring recovery	1	
2	562756 Distance Piece	1	
3	4233 Washer	2	
4	NH116041L Nut	4	
5	300816 Handle lifting	2	Note(1)
6	NRC5606 Handle lifting RH	1	NLA use NTC5116
	NRC5607 Handle lifting LH	1	Note(1)
	NTC5116 Handle lifting-black	2	Note(2)
7	SH108161L Screw	8	
	SE108161L Screw	8	Germany
8	WA108051L Washer plain	8	
9	NRC5804 Nut plate	4	
10	90577509 Ring recovery/lashing	4	Front and rear
11	BH110241L Bolt (front)	2	
	BH110221L Bolt (rear)	2	
12	217245 Washer plain	4	
13	NY110041L Nut nyloc	4	
14	NRC7425 Cover tailboard hinge	2	Germany

Note(1) Up to 314291  
 Note(2) From 314292



**Model** DEFENDER 110 1987 onwards

**Page** AFNXCC1A

**BODY - DASH ASSEMBLY**

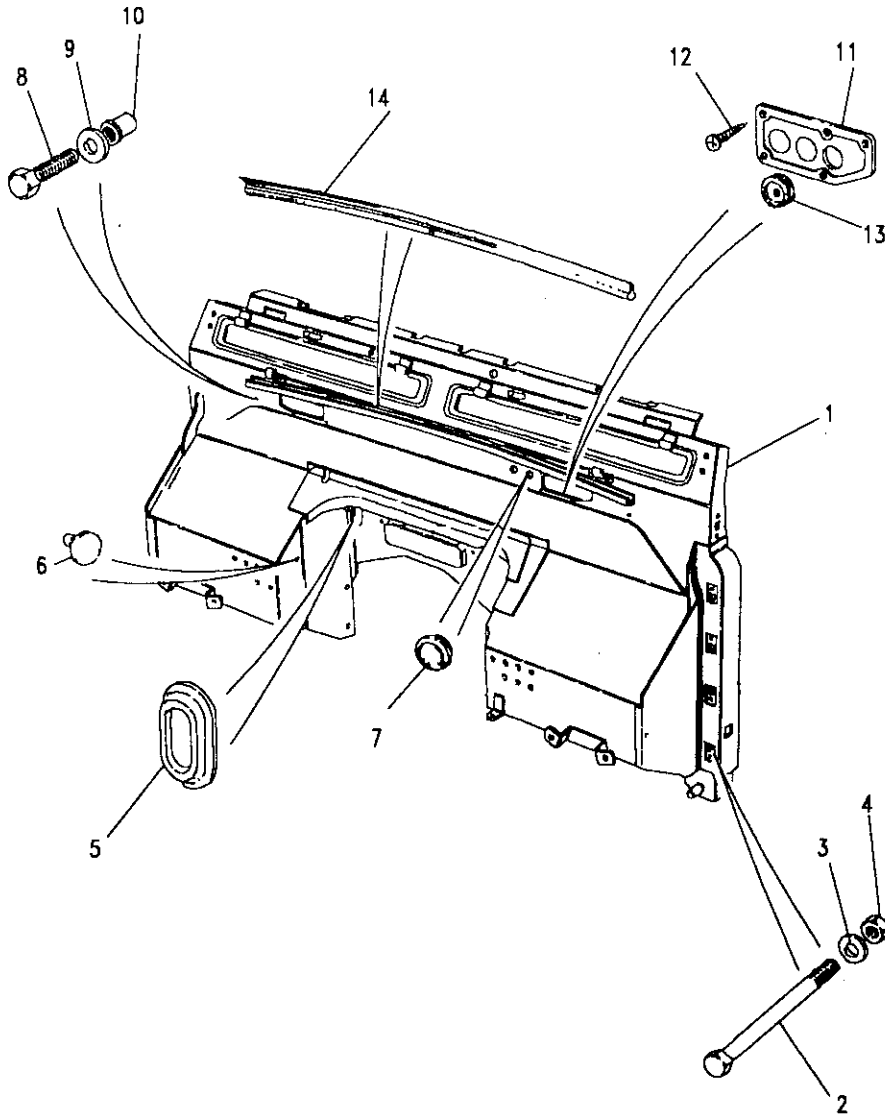
Ill. Part No.	Description	Qty	Remarks
<b>Non Air con</b>			
1 ALR6374	Dash assembly RHS	1	)Up to
ALR6375	Dash assembly LHS	1	)LA939975
ALR2136	Dash assembly RHD	1	)From
ALR2138	Dash assembly LHD	1	)MA939976
<b>With Air Con</b>			
MXC9012	Dash assembly RHS	1	)Up to
MXC9013	Dash assembly LHS	1	)MA939975
ALR5118	Dash assembly LHD	1	)From
ALR5117	Dash assembly RHD	1	)MA939976
<b>Germany Only</b>			
MXC9015	Dash assembly LHS	1	Germany
<b>All variants</b>			
2 MRC9420	Bolt tie	2	M12x180mm
3 WA112081L	Washer plain	8	
4 NH112041L	Nut	2	
5 MTC1650	Plug	2	
6 338015	Plug	1	Toe box
7 332647	Buffer bonnet	2	
8 SX108251	Bolt	4	Steering support
9 WA108051L	Washer plain	10	
10 ATU1005L	Supersert	2	)Alternatives
NN108021	Nutsert	2	)
11 PRC1333	Plate grommet bulkhead	1	Upto LA932798
AMR3098	Plate grommet bulkhead	1	From LA932799 00/



Model DEFENDER 110 1987 onwards  
Page AFNXCC1A

BODY - DASH ASSEMBLY

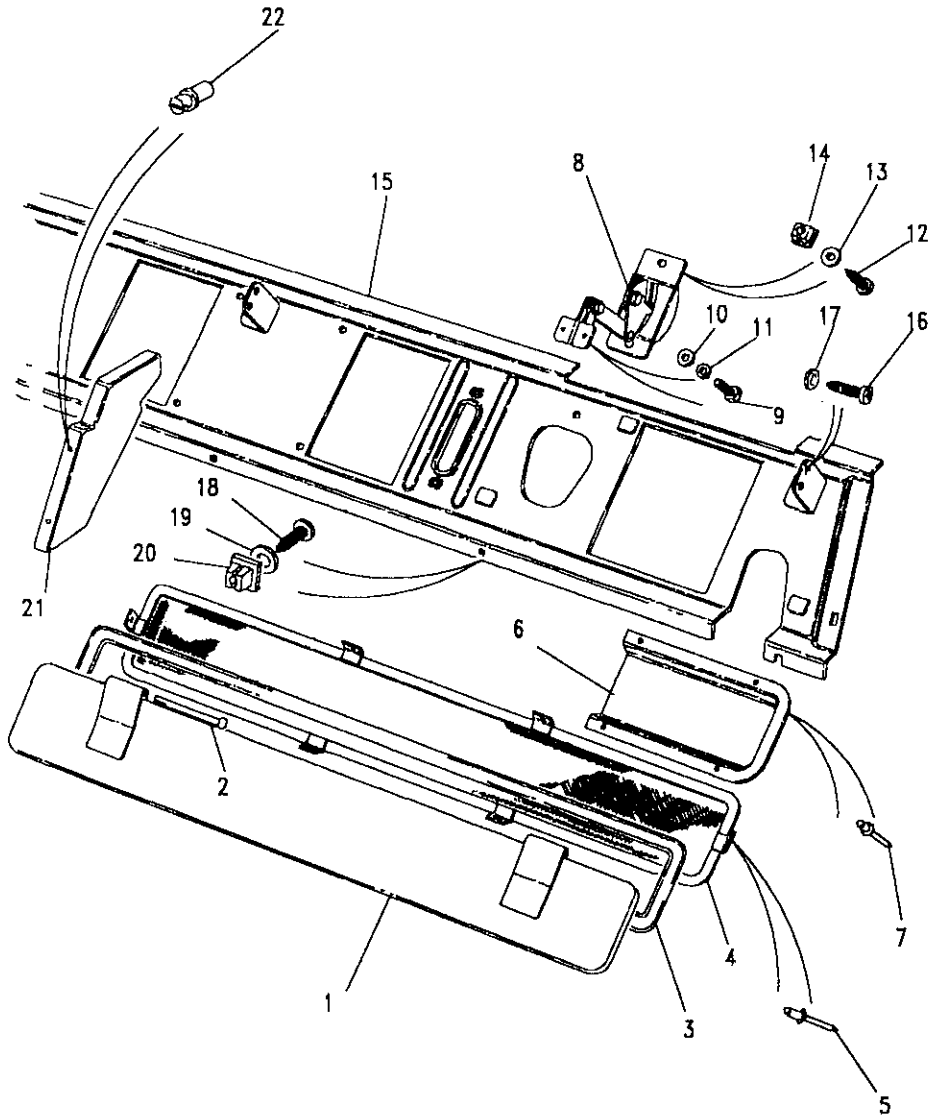
III. Part No.	Description	Qty	Remarks
12	AB610051L Screw	8	
13	BD155888 338023 Plug sealing	1	Upto LA932798
	338023 Plug sealing	2	Upto LA932798
14	MWC2567 MUC6905 Seal	1	
	MUC6905 Plate	1	
	RU608123L Rivet	3	
	MWC2309 Plug blanking	2	
	RTC5519 Plug blanking	2	





Model DEFENDER 110 1987 onwards  
 Page AFNXCC2A

**BODY - DASH VENTILATOR - NON AIR CON**

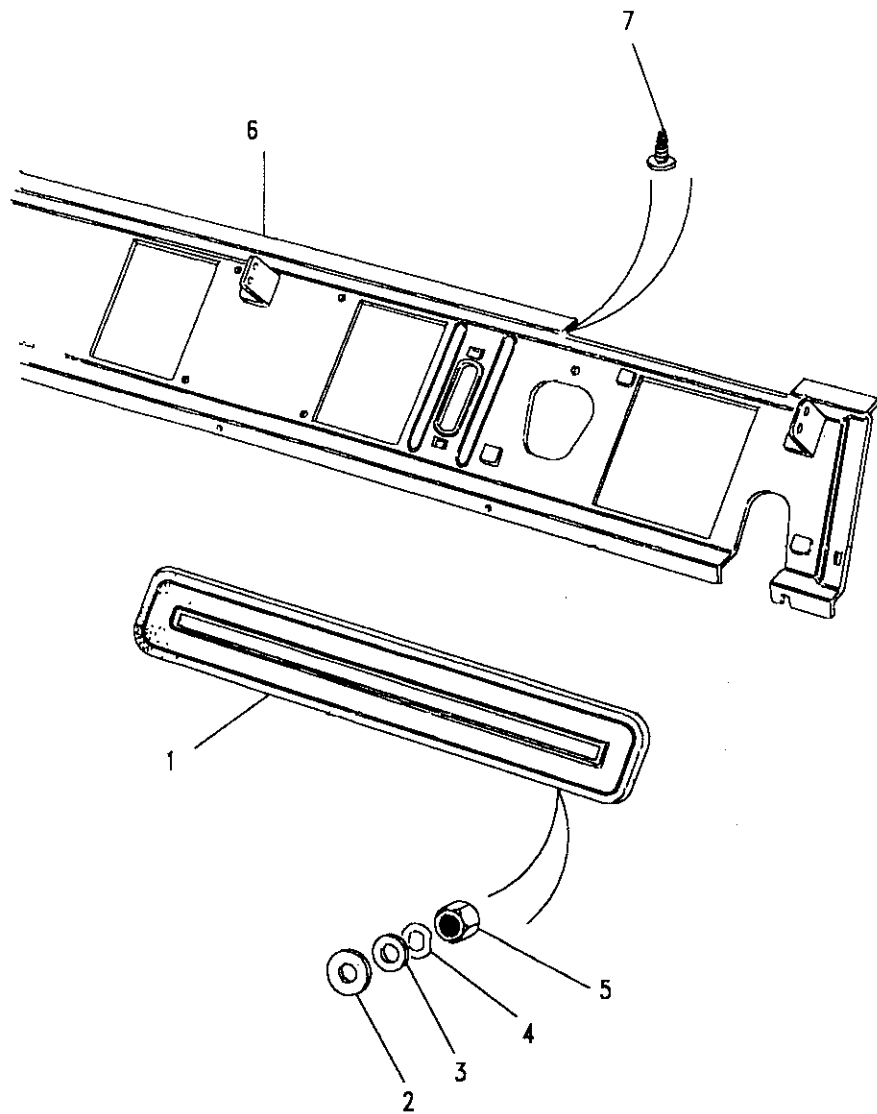


III. Part No. Description Qty Remarks

**Not applicable to Germany - Note(1)**

Part No.	Description	Qty	Remarks
1	ALR1618	1	Lid ventilator RH
	ALR1619	1	Lid ventilator LH
2	334121	4	Hinge pin
3	MUC4299	2	Sealing rubber
	ALR2220	2	Sealing rubber
4	395185	2	Flyscreen
5	RA610123	12	Rivet
6	MTC2799	1	Panel splash
7	RA610123	4	Rivet
8	346576	2	Control ventilator
9	SH105121L	4	Screw
10	WC105001L	4	Washer plain
11	WL105001L	4	Washer spring
12	AB608047L	4	Screw
13	AFU1257	4	Washer plain
14	RTC3745	4	Nut lokut
15	MXC8574	1	Front Plate RHS
	MXC8573	1	Front Plate LHS
16	AB608047L	6	Screw
17	WA105001L	6	Washer plain
18	AB608054L	5	Screw
19	WA104004L	5	Washer plain
20	RTC3745	5	Nut lokut
21	346941	1	Panel air flow divider
22	79106	2	Rivet

Note(1) Germany - see page 753



**Model** DEFENDER 110 1987 onwards  
**Page** AFNXCC3A

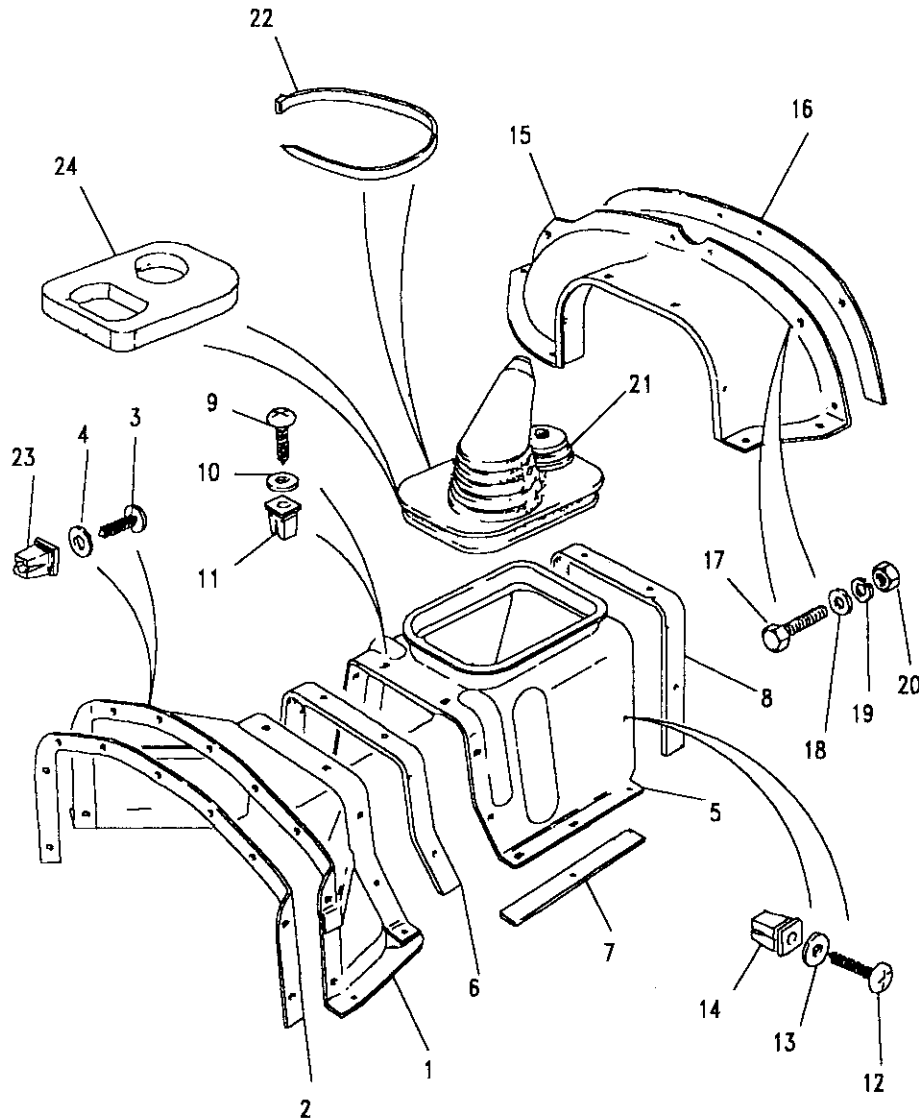
**BODY - DASH VENTILATOR - AIR CON**

Ill. Part No.	Description	Qty	Remarks
1	MTC6109	2	Finisher dash ventilator
2	MTC6015	6	Washer sealing
3	WA104001L	6	Washer plain
4	WW104001	6	Washer wave
5	NH104041L	6	Nut
6	MUC3498	1	Front plate RHS
	MXC8575	1	Front plate LHS
<b>Fixing - Front plate to crash rail</b>			
7	AFU2636	2	Screw LHS



**Model** DEFENDER 110 1987 onwards  
**Page** AFNXCE1A

**BODY - DIAPHRAGM AND TUNNEL PANELS**



III. Part No.	Description	Qty	Remarks
1	MTC2252	1	4 cylinder
	RTC6826	1	
2	MRC8626	1	
3	AB614061L	9	
4	MRC5527	9	
<b>4 Cylinder</b>			
5	MTC4095	1	
<b>V8 LT85</b>			
	MUC4319	1	
<b>V8 LT85/R380</b>			
	ALR1757	1	Up to MA943800
	ALR7005	1	From MA943801
6	MTC6798	1	4 cylinder
	MUC1237	1	V8
7	MTC6798	2	4 cylinder
	MUC1237	2	V8
8	MTC6798	1	4 cylinder
	MUC1237	1	V8
9	AB614061L	6	4 cylinder
10	MRC5527	6	4 cylinder



Model DEFENDER 110 1987 onwards  
Page AFNXCE1A

**BODY - DIAPHRAGM AND TUNNEL PANELS**

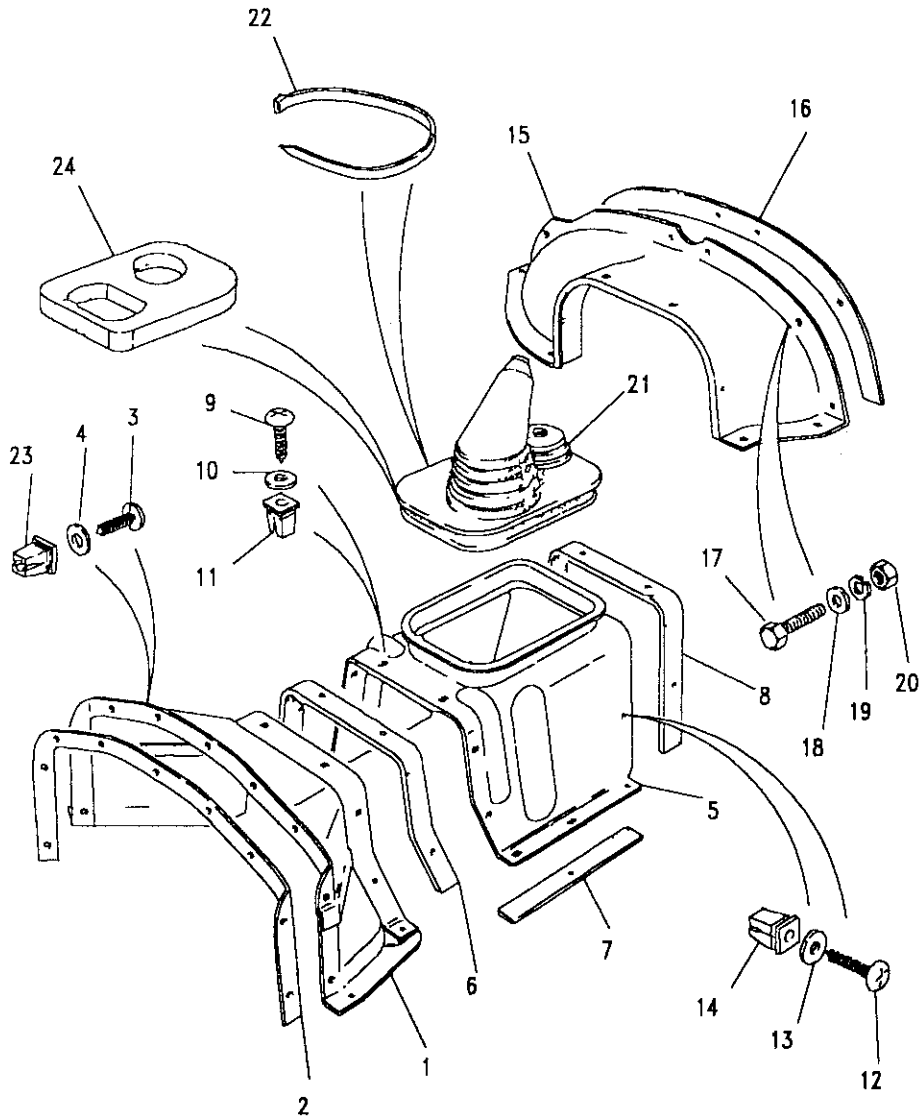
III. Part No.	Description	Qty	Remarks
11	RTC3744	6	4 cylinder
	AB614061L	4	V8
	MRC5527	4	V8
	RTC3744	4	V8
12	AB614061L	6	4 cylinder
13	MRC5527	6	4 cylinder
14	RTC3744	6	4 cylinder
15	MRC7411	1	V8
16	MRC8626	1	V8

**Fixings - Cover to heelboard - V8**

17	FS106201L	2	
18	WA106041L	4	
19	WL106001L	2	
20	NH106041L	2	
	FS108207L	1	RHD
	WL108001L	1	RHD
	FN108041L	1	RHD
	FS108207L	2	LHD
	WL108001L	2	LHD
	FN108041L	2	LHD

**Gaiter gear lever/transfer lever**

21	BTR1698	1	
22	AFU4173	1	
23	RTC3744	9	
24	MTC6872	1	4 Cylinder
	MUC4027	1	V8



**Model** DEFENDER 110 1987 onwards  
**Page** AFNXCG1A

**BODY - FLOOR PLATES**

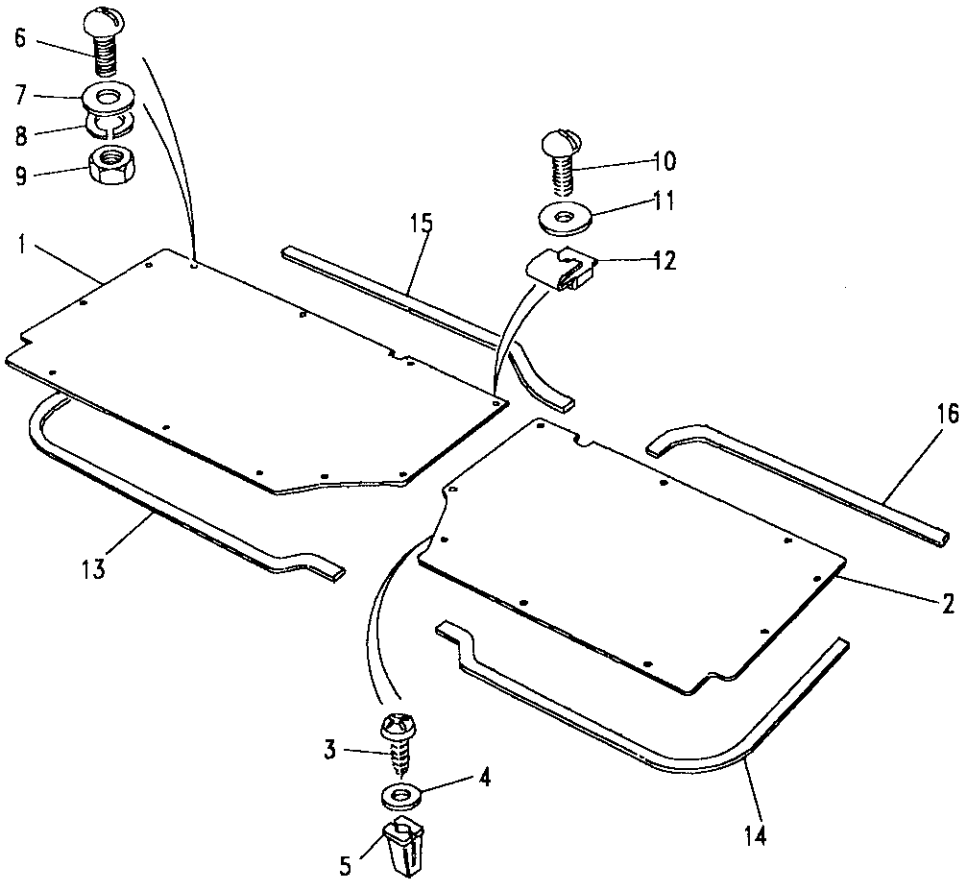
III. Part No.	Description	Qty	Remarks
1	MRC9720	1	4 cylinder
	MUC1228	1	V8 LT85
	ALR1742	1	V8 LT77
2	MTC2248	1	4 cylinder
	MTC2248	1	Diesel turbo
	MUC1227	1	V8 LT85
	ALR1743	1	V8 LT77

**Fixings - Floor plate to toebox**

3	AB614061L	5	Screw
4	MRC5527	5	Washer plain
5	RTC3744	5	Nut lokut

**Fixings - Floor plate to sill channel**

6	SE106201L	4	Screw
7	WC106041L	4	Washer plain
8	WL106001L	4	washer spring
9	NH106041L	4	Nut





Model DEFENDER 110 1987 onwards

Page AFNXCG1A

BODY - FLOOR PLATES

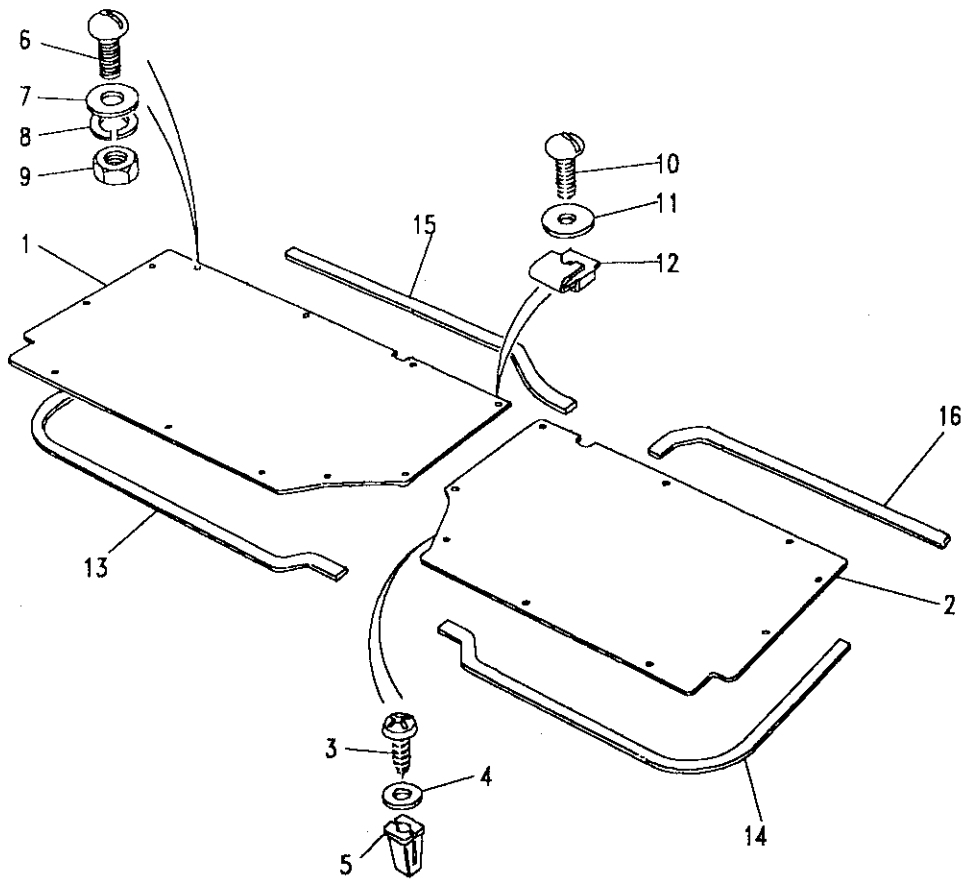
III. Part No. Description Qty Remarks

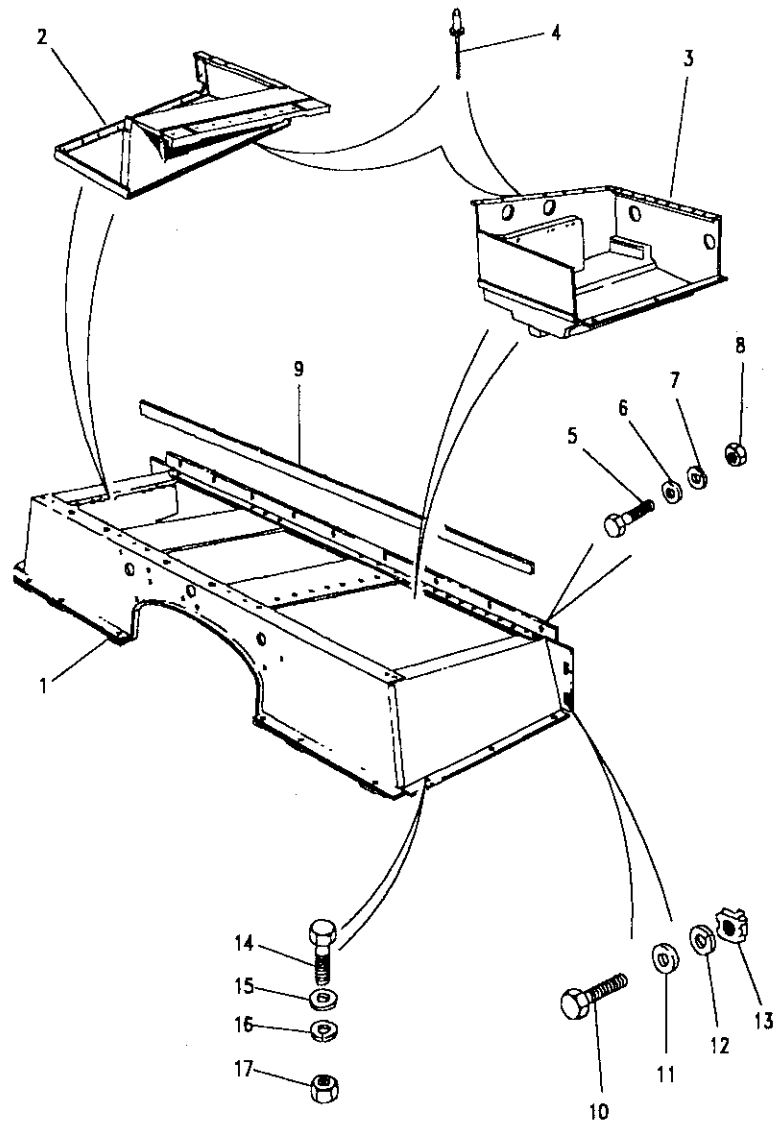
Fixings - Floor plate to heelboard

10	320045	Bolt	5	4 cylinder
11	WC106041L	Washer plain	5	4 cylinder
12	AL614011	Nut spire	5	4 cylinder
	320045	Bolt	6	V8
	WC106041L	Washer plain	6	V8
	AL614011	Nut spire	6	V8
13	MRC8626	Seal RH	1	
14	MRC8626	Seal LH	1	
15	MRC8626	Seal RH	1	
16	MRC8626	Seal LH	1	

Defender 130

RRC6198	Floor plate rear interm	1	
RRC2497	Support rear cab floor	1	

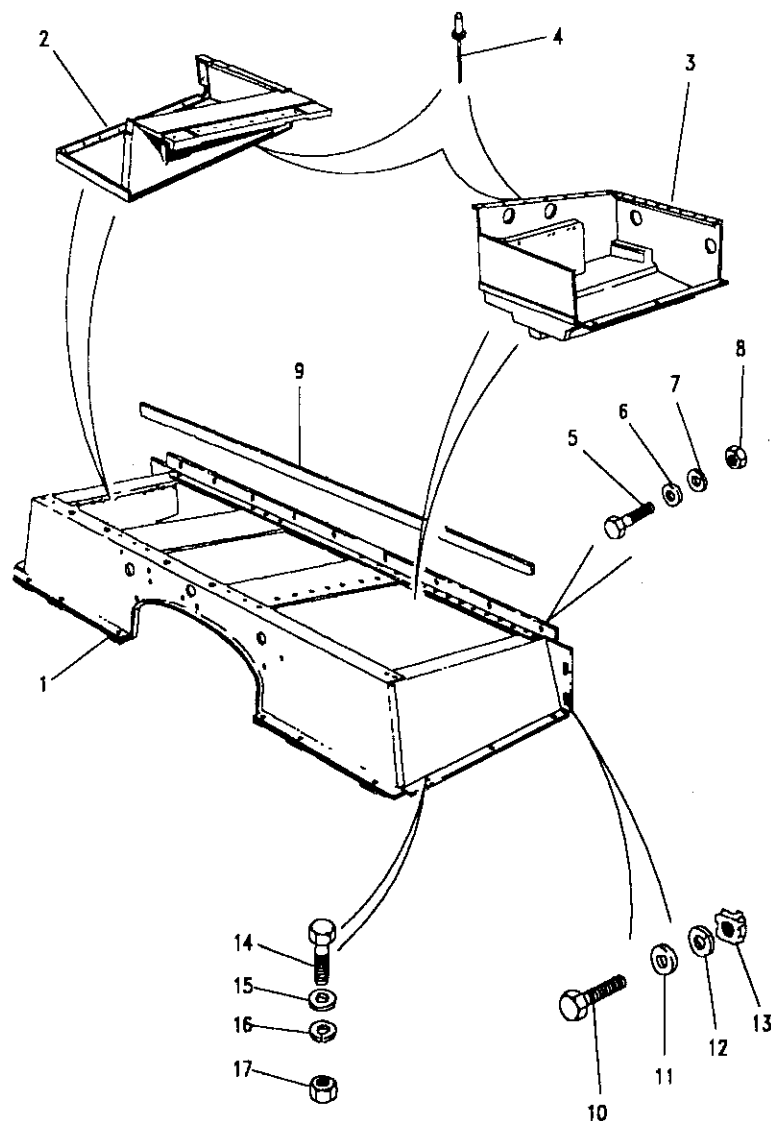




**Model** DEFENDER 110 1987 onwards  
**Page** AFNXC11A

**BODY - SEAT BASE**

III. Part No.	Description	Qty	Remarks
<b>With tool locker - Upto 455595</b>			
1 MTC6340	Seat base	1	4 cylinder
MUC6166	Seat base	1	V8
<b>Without tool locker - Upto 455595</b>			
1 RTC6218	Seat base	1	4 cylinder
MUC6167	Seat base	1	V8
<b>With tool locker - From HA455596</b>			
1 MXC8552	Seat base	1	4 cylinder
MXC8554	Seat base	1	V8 LT85
ALR1752	Seat base	1	V8 LT77
ALR6365	Seat base	1	V8/300 TDI R380
<b>Without tool locker - From HA455596</b>			
1 MXC8551	Seat base	1	4 cylinder
MXC8555	Seat base	1	V8 LT85
ALR1753	Seat base	1	V8 LT77
ALR6366	Seat base	1	V8/300 TDI R380
<b>Defender 130</b>			
RRC6239	Seat base front	1	
RRC2432	Seat base rear	1	



Model DEFENDER 110 1987 onwards

Page AFNXC11A

BODY - SEAT BASE

III. Part No.	Description	Qty	Remarks
2 MTC6305	Tool locker	1	Upto 455595
MXC5746	Tool locker	1	From 455596
3 MRC9664	Battery tray	1	Upto 455595
MXC8556	Battery tray	1	From 455596
4 78248	Rivet	25	Tool locker
78248	Rivet	28	Battery tray
5 FS106201L	Flange screw	9	
6 MRC5525	Washer plain	18	
7 WL106001L	Washer spring	9	
8 NH106041L	Nut	9	
9 MRC8626	Seal	1	
10 FS106201L	Flange screw	2	
SH106251L	Screw	2	
11 MRC5528	Washer plain	4	
12 WL106001L	Washer spring	4	
13 NK106081	Nut grip	4	
14 FS106201L	Flange screw	6	
15 MRC5525	Washer plain	12	
16 WL106001L	Washer spring	6	
17 NH106041L	Nut	6	

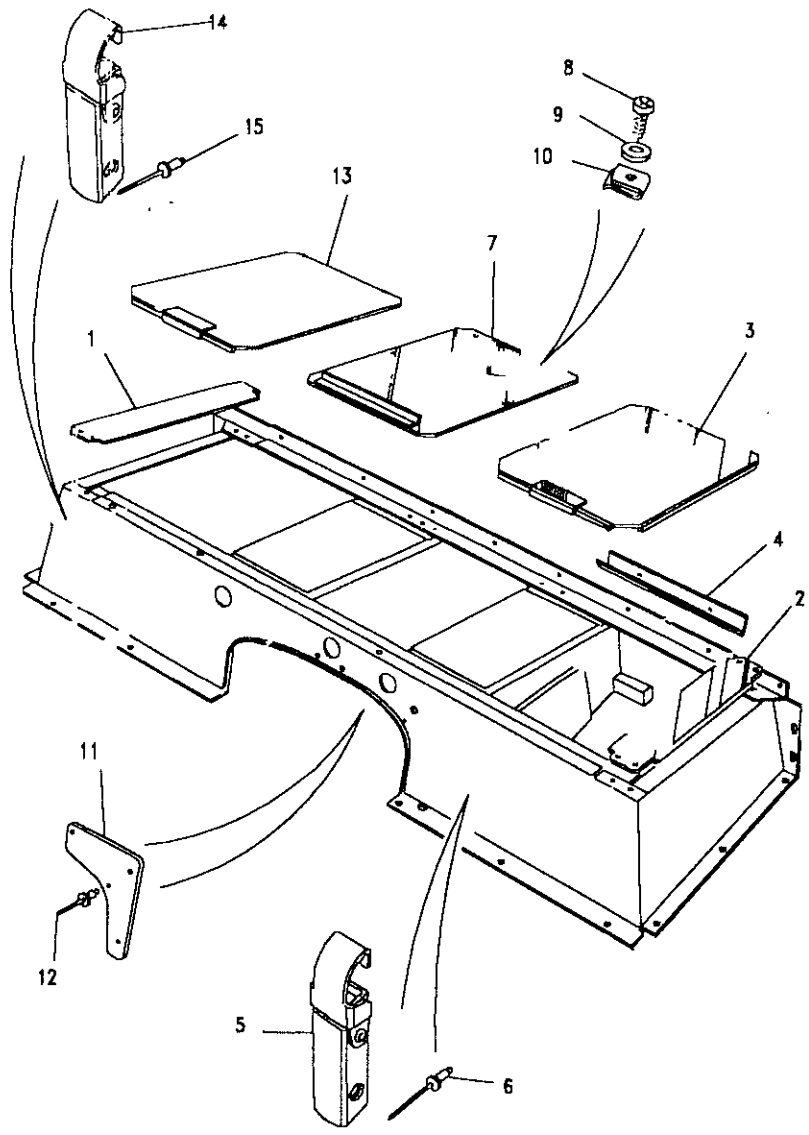






**Model** DEFENDER 110 1987 onwards  
**Page** AFNXC12A

**BODY - SEATBASE FITTINGS**



Ill. Part No.	Description	Qty	Remarks
1	MUC1412 334966	1	Panel extension RH
		1	Panel extension RH
			)Upto 278330
			)From 278331
			)Upto 455595
			)Note(1)
2	MUC1412	1	Panel extension LH
			Upto 455595
			Note(1)
3	ALR5110	1	Cover battery access
4	MRC8136	1	Angle locating
	MXC6338	1	Angle locating
	FS106201L	1	Flange screw
	MRC5525	2	Washer plain
	NH106041L	2	Nut
5	MRC8388	1	Catch overcentre
6	RU608123L	2	Rivet
4	<b>Cylinder</b>		
7	MXC6315	1	Cover centre
	MTC4196	1	Cover
			Up to 455961
			Up to 455961
			Note(2)
	MXC9116	1	Cover centre
			From HA455962

Note(1) From HA455596 extension panels are not separate parts  
 Note(2) When centre console fitted



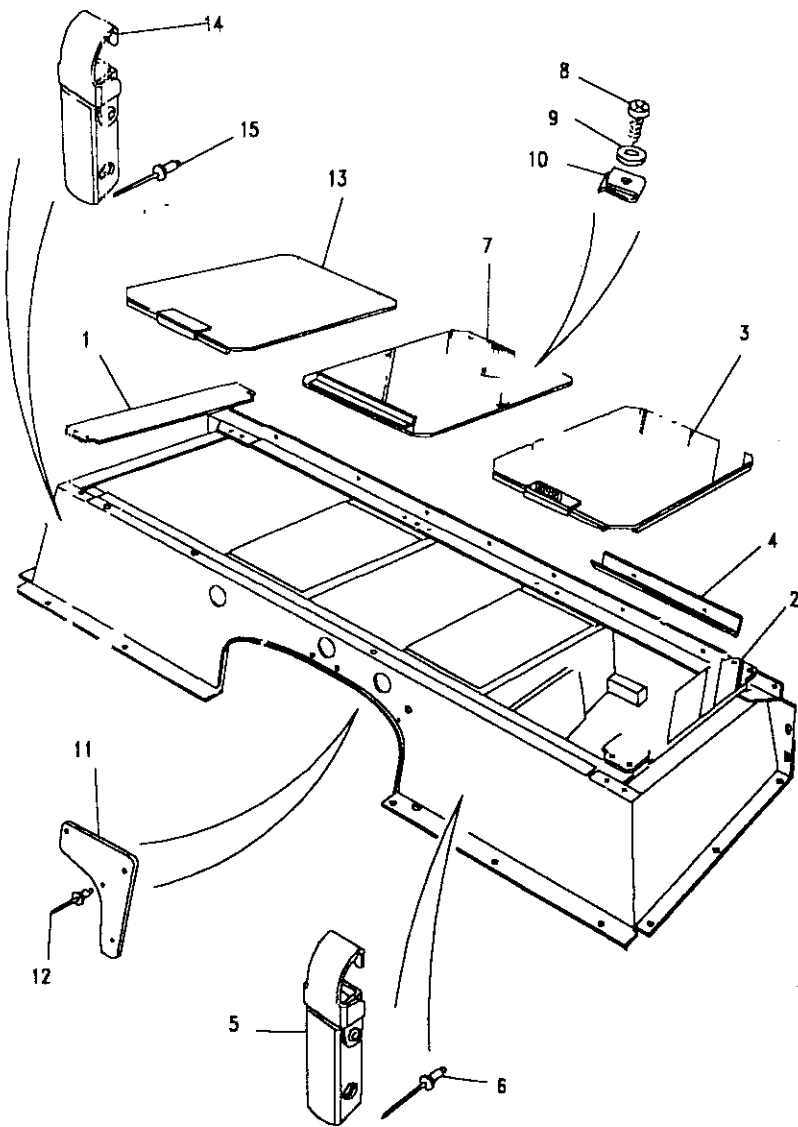
Model DEFENDER 110 1987 onwards

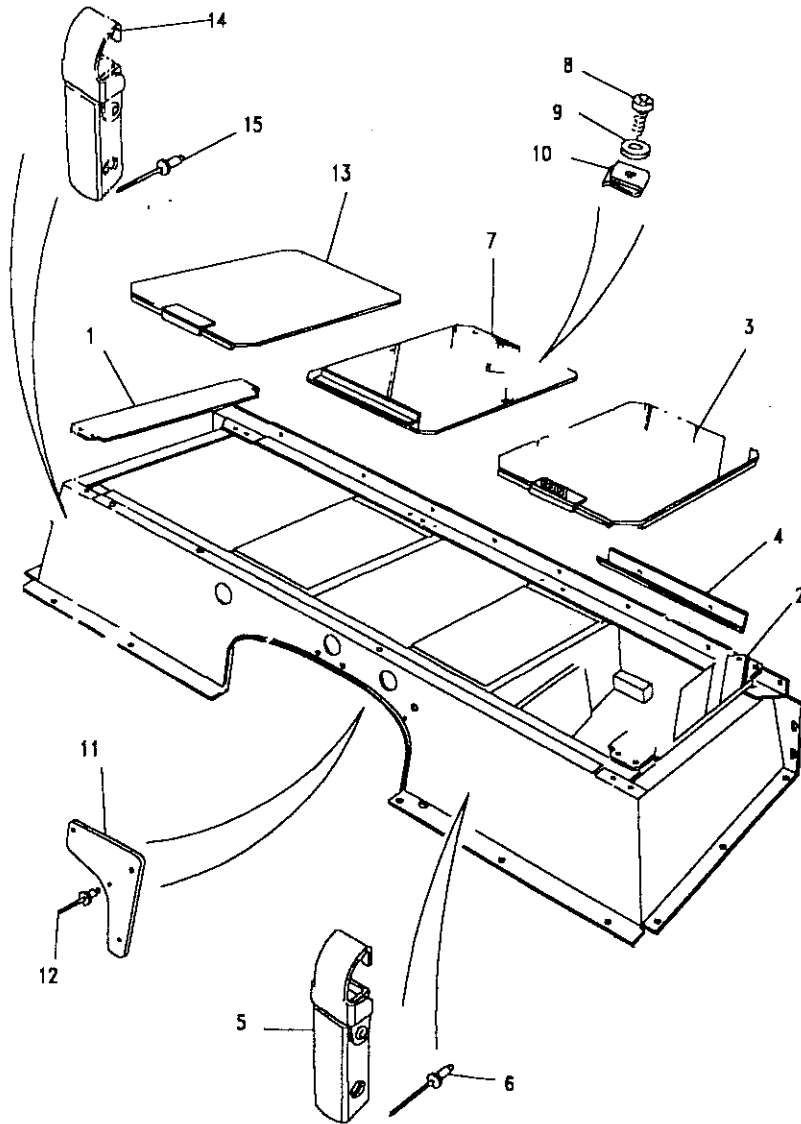
Page AFNXC12A

**BODY - SEATBASE FITTINGS**

III. Part No.	Description	Qty	Remarks
<b>V8</b>			
7 MTC4215	Cover centre	1	Up to FA413237
MTC4197	Cover centre	1	Up to FA413237
MXC6312	Cover centre	1	Note(1) From FA413238
MXC9117	Cover centre	1	Up to 455961 From HA455962
<b>All variants</b>			
8 AB610051L	Screw	4	
9 WC106041L	Washer plain	4	
10 53K3039L	Nut spire	4	
<b>4 Cylinder</b>			
11 MTC2203	Plate cover	1	RHS
MTC2202	Plate cover	1	LHS
<b>V8</b>			
MUC1234	Plate cover	1	RHS
MUC1233	Plate cover	1	LHS
12 78248	Rivet	4	

Note(1) When centre console fitted





Model DEFENDER 110 1987 onwards

Page AFNXC12A

**BODY - SEATBASE FITTINGS**

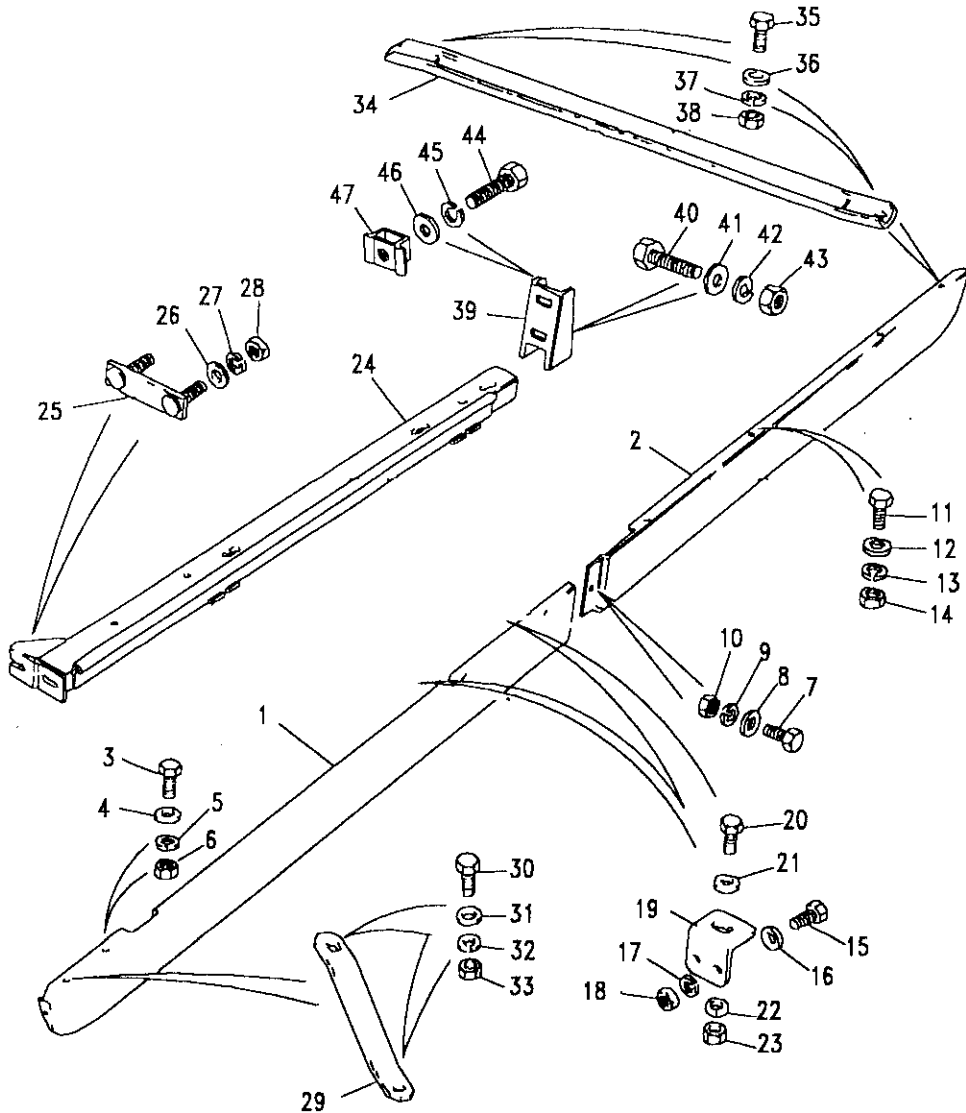
III. Part No.	Description	Qty	Remarks
<b>Vehicles without additional fuel tank</b>			
13 ALR5113	Cover tools access	1	
<b>Vehicles with additional fuel tank</b>			
MUC4499	Cover fuel tank access	1	Up to 455595
MXC7373	Cover fuel tank access	1	From HA455596
<b>All Variants</b>			
MRC8136	Angle locating	1	Upto 455595
MXC6338	Angle locating	1	From HA455596
FS106201L	Flange screw	2	)Angle to
MRC5525	Washer plain	2	)seat base
NH106041L	Nut	2	)
14 MRC8388	Catch overcentre	1	
15 RU608123L	Rivet	2	
MRC5509	Stud plate	1	
RB613102	Rivet	1	
MUC5376	Pad sound deadening	3	Seat base covers
338015	Plug blanking-1/2"	4	Seat base
338028	Plug blanking-2"dia	1	Seat base toolbox
338017	Plug blanking-9/16"dia	6	Seat base



**Model** DEFENDER 110 1987 onwards  
**Page** AFNXCK1A

**BODY - SILL PANELS - EXCEPT STATION WAGON**

III. Part No.	Description	Qty	Remarks
1	RTC6205	1	Sill panel front RH
	RTC6206	1	Sill panel front LH
<b>Defender 110</b>			
2	MRC5049	1	Sill panel rear RH
	MRC5050	1	Sill panel rear LH
	337812	1	Sill panel rear RH Chassis cab
	337813	1	Sill panel rear LH Chassis cab
<b>Defender 130</b>			
2	RRC6234	1	Sill panel rear RH
	RRC6233	1	Sill panel rear LH
	RRC2637	1	Sill bracket RH
	RRC2638	1	Sill bracket LH
<b>Front sill panel to wing outer panel</b>			
3	FS06167	4	Screw
4	MTC5525	8	Washer plain
5	WL106001L	4	Washer spring
6	NH106041L	4	Nut



**Model** DEFENDER 110 1987 onwards  
**Page** AFNXCK1A

**BODY - SILL PANELS - EXCEPT STATION WAGON**

**Ill. Part No.**                      **Description**                      **Qty** **Remarks**

**Front to rear sill panel**

7	FS106167L	Screw	2
8	RTC609	Washer plain	4
9	WM106001L	Washer spring	2
10	NH106041L	Nut	2

**Fixing rear sill panel**

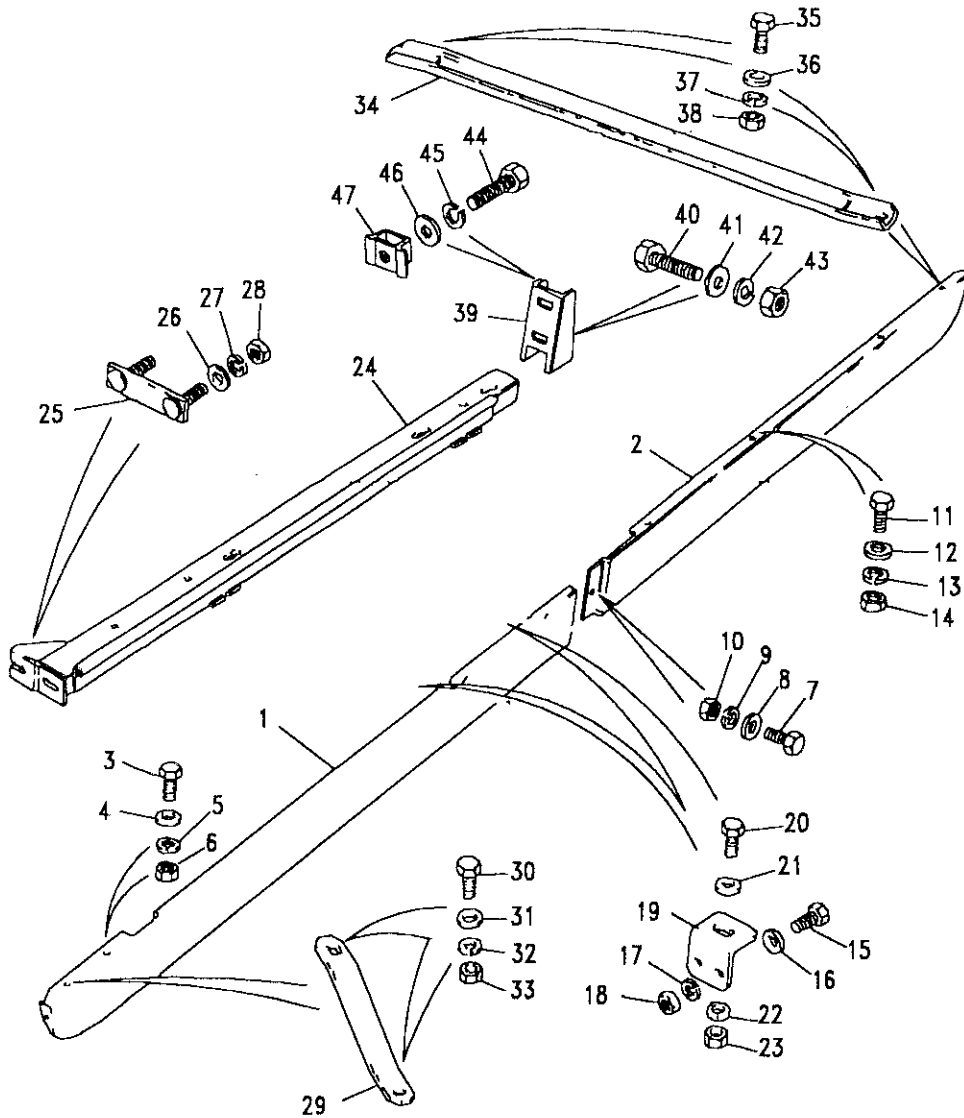
11	FS106167L	Screw	14
12	RTC609	Washer plain	12
13	WM106001L	Washer spring	6
14	NH106041L	Nut	14

**Sill panel to channel bracket**

15	FS106167L	Screw	4
16	RTC609	Washer plain	8
17	WM106001L	Washer spring	4
18	NH106041L	Nut	4
19	MRC9438	Bracket	4

**Bracket to sill channel**

20	FS106201L	Flange screw	4
21	AFU1069	Washer plain	8
22	WL106001L	Washer spring	4
23	NH106041L	Nut	4





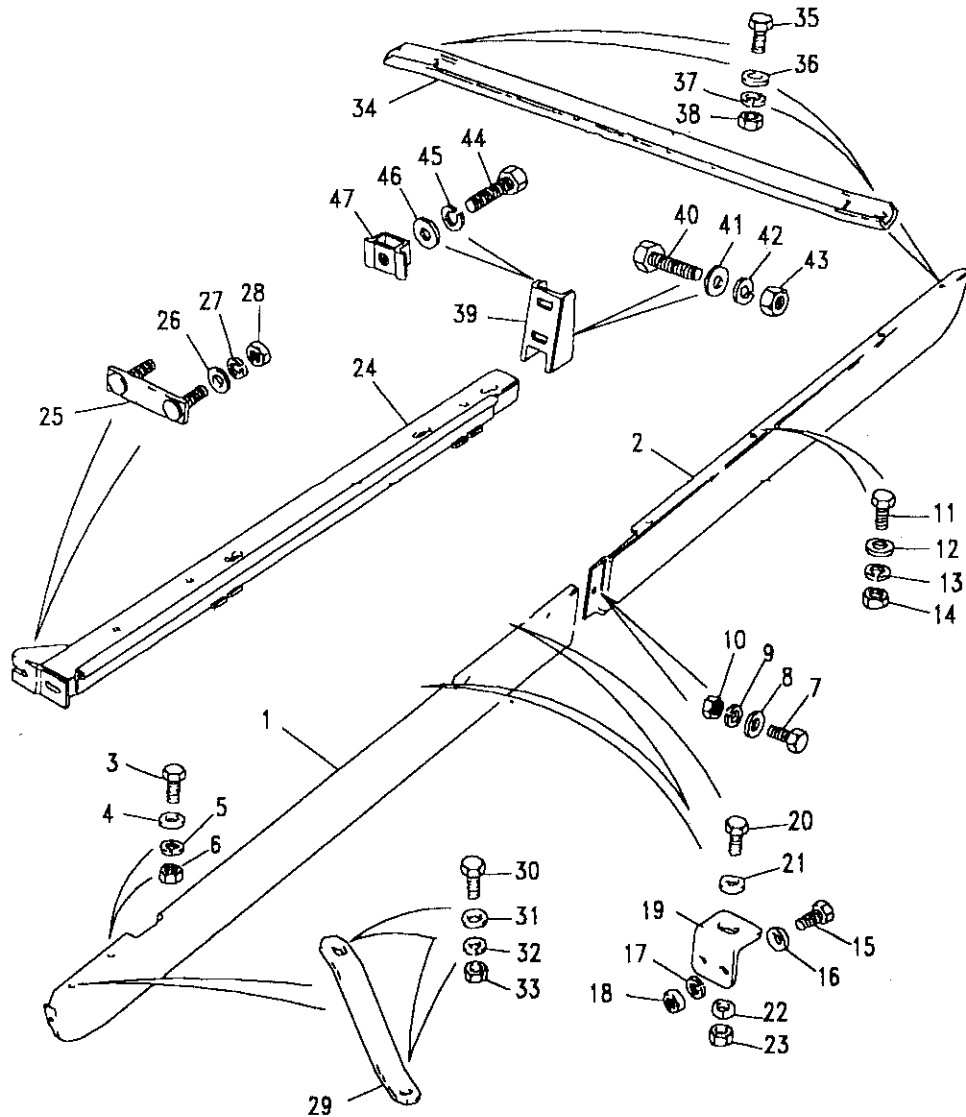
Model DEFENDER 110 1987 onwards  
Page AFNXCK1A

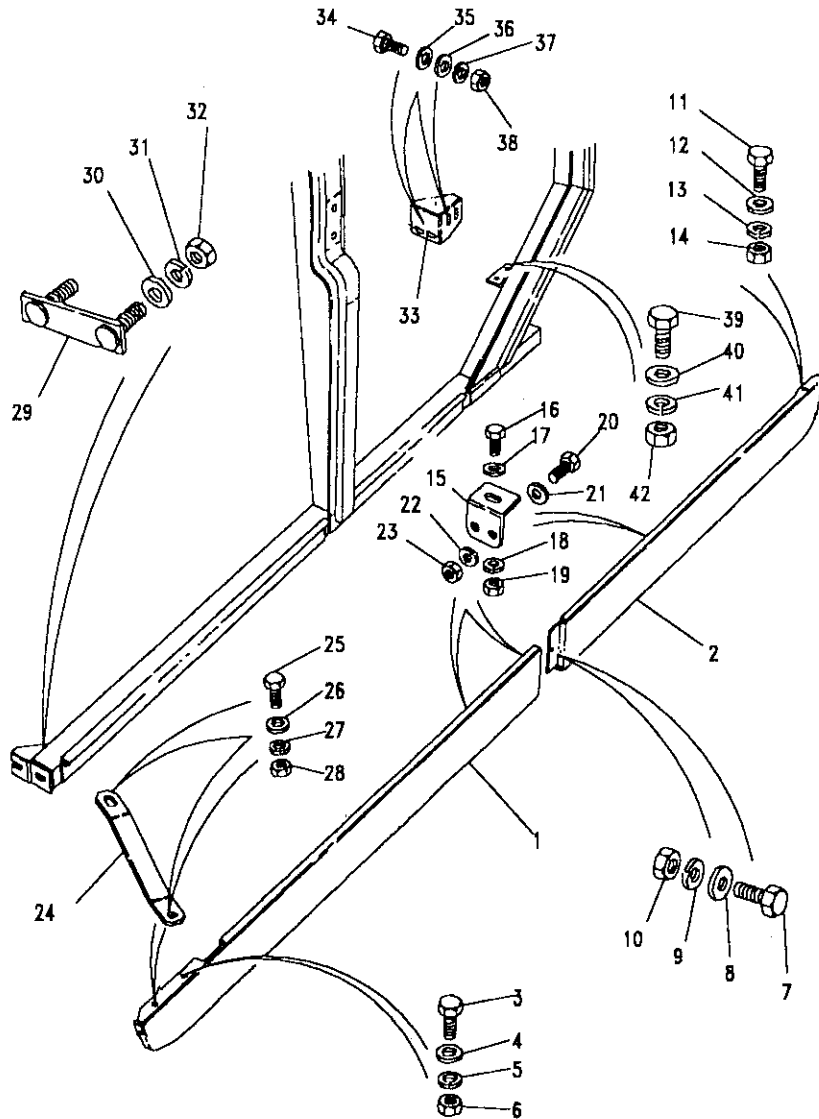
**BODY - SILL PANELS - EXCEPT STATION WAGON**

III. Part No.	Description	Qty	Remarks
24	MWC1086	1	)Up to
	MWC1087	1	)LA924784
	ALR5294	1	)From
	ALR5295	1	)LA924785

**Sill channel to dash**

25	MRC2481	2	Stud plate
26	RTC601	4	Washer plain
27	WM600051L	4	Washer spring
28	NH605041L	4	Nut
29	MRC5153	2	Stay front
30	FS106167L	4	Screw
31	WA106041L	4	Washer plain
32	WL106001L	4	Washer spring
33	NH106041L	4	Nut
34	MRC6019	2	Stay centre
35	FS106167L	4	Screw
36	WA106041L	4	Washer plain
37	WL106001L	4	Washer spring
38	NH106041L	4	Nut
39	347436	2	Bracket mounting
40	FS108207L	4	Screw
41	RTC610	8	Washer plain
42	WL108001L	4	Washer spring
43	FN108041L	4	Nut
44	FS106201L	4	Flange screw
45	WL106001L	4	Washer spring
46	MRC5528	4	Washer plain
47	NK106081	4	Nut grip



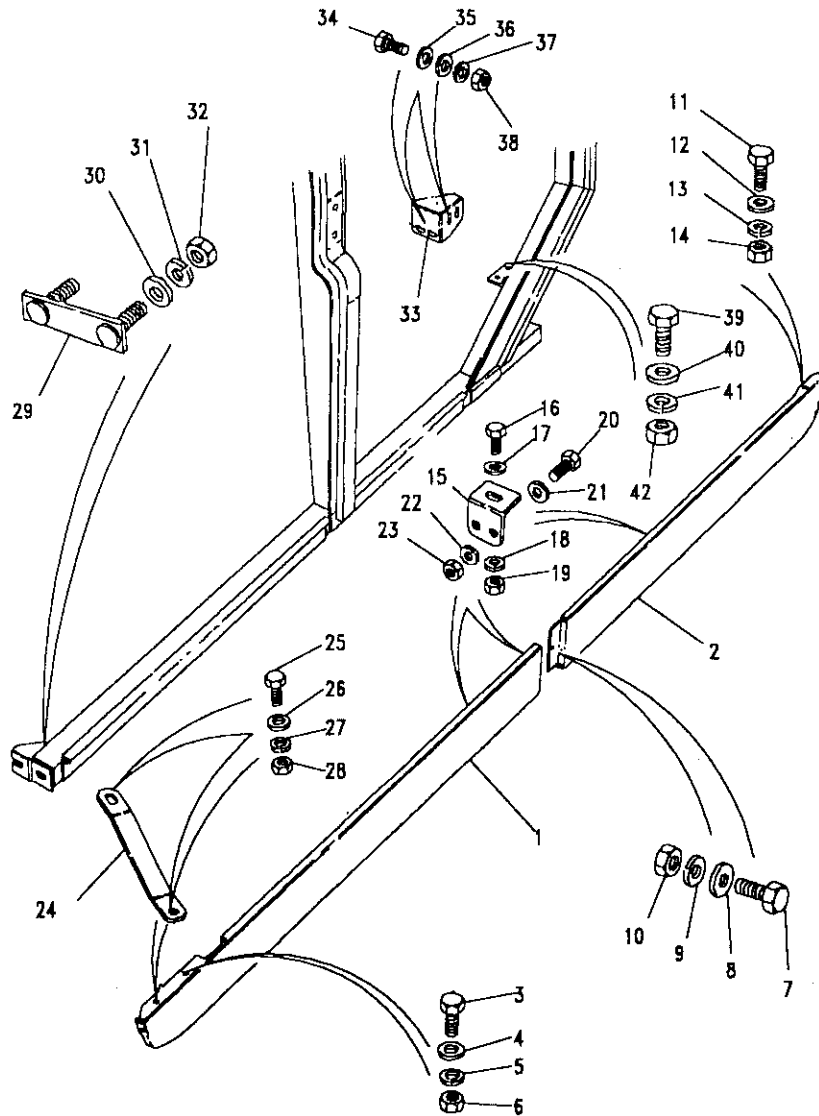


**Model** DEFENDER 110 1987 onwards  
**Page** AFNXCK2A

**BODY - SILL PANELS - STATION WAGON**

Ill. Part No.	Description	Qty	Remarks
1	RTC6205	1	Sill panel front RH
	RTC6206	1	Sill panel front LH
<b>Defender 110</b>			
2	RTC6209	1	Panel sill rh
	RTC6210	1	Panel sill lh
<b>Defender 130</b>			
2	RRC6234	1	Sill panel rear RH
	RRC6233	1	Sill panel rear LH
	RRC2637	1	Sill bracket RH
	RRC2638	1	Sill bracket LH
<b>Front sill panel to wing outer panel</b>			
3	FS106167L	4	Screw
4	MUC5525	8	Washer plain
5	WL106001L	8	Washer spring
6	NH106041L	4	Nut
<b>Front to rear sill panel</b>			
7	FS106167L	2	Screw
8	RTC609	4	Washer plain
9	WM106001L	2	Washer spring
10	NH106041L	2	Nut





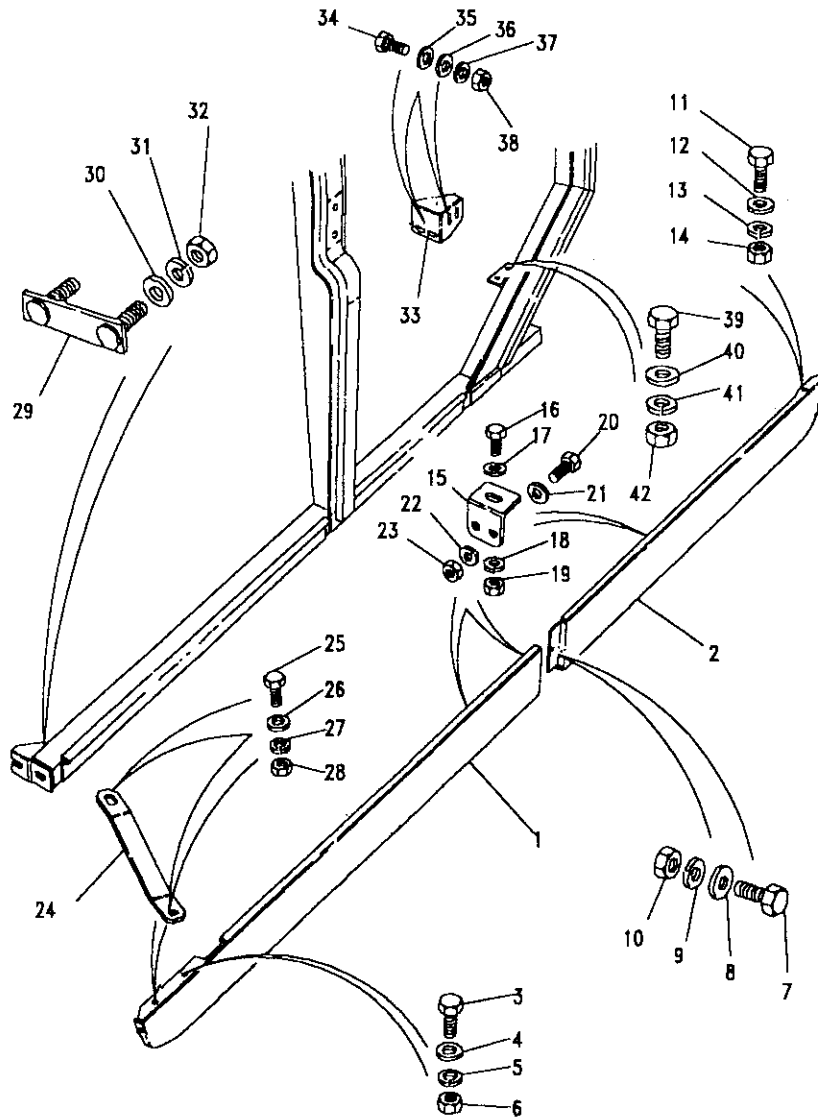
**Model** DEFENDER 110 1987 onwards  
**Page** AFNXCK2A

**BODY - SILL PANELS - STATION WAGON**

III. Part No.	Description	Qty	Remarks
<b>Fixing rear sill panel</b>			
11	FS106167L	4	Screw
12	RTC609	4	Washer plain
13	WM106001L	4	Washer spring
14	NH106041L	4	Nut
15	MRC9438	6	Bracket
<b>Bracket to sill channel</b>			
16	FS106201L	6	Flange screw
17	RTC609	12	Washer plain
18	WM106001L	6	Washer spring
19	NH106041L	6	Nut
<b>Sill panel to channel bracket</b>			
20	FS106167L	4	Screw
21	RTC609	8	Washer plain
22	WM106001L	4	Washer spring
23	NH106041L	4	Nut
24	MRC5153	2	Front Stay
25	FS106167L	4	Screw
26	WA106041L	4	Washer plain
27	WL106001L	4	Washer spring
28	NH106041L	4	Nut



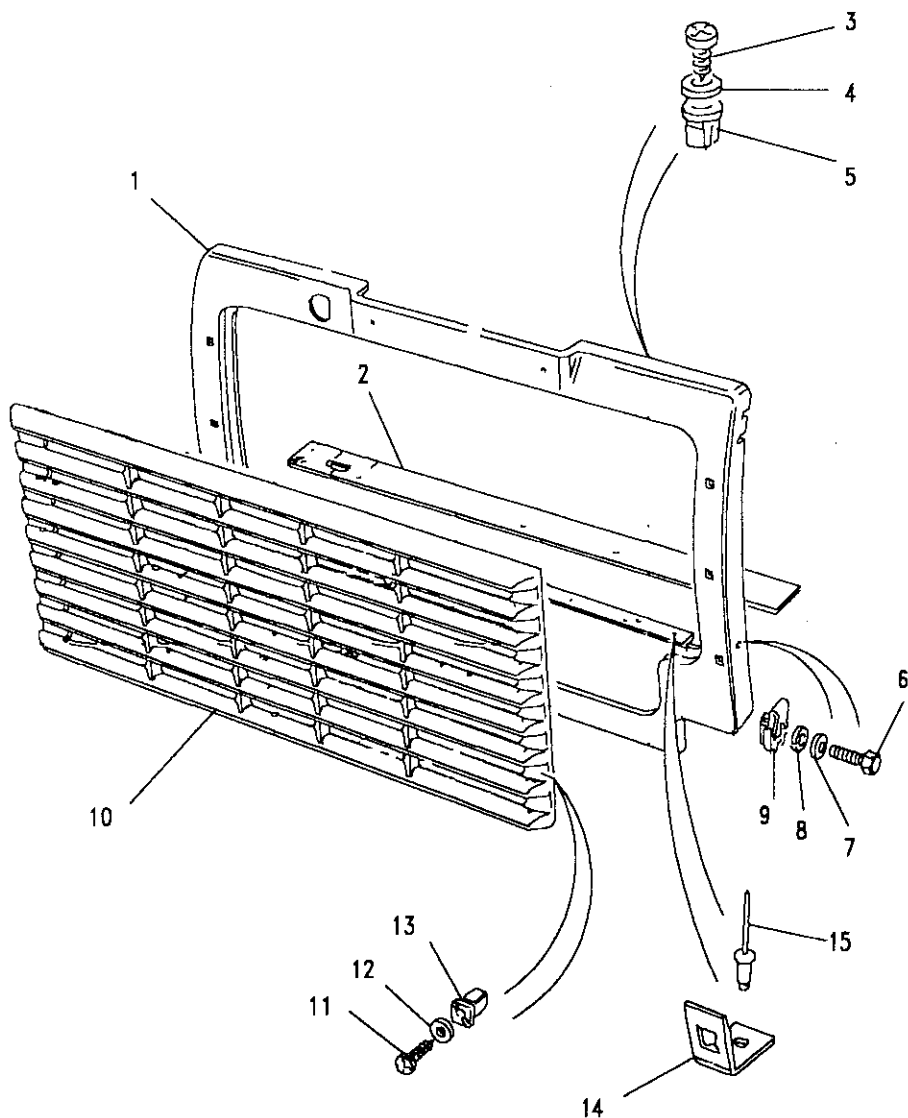




**Model** DEFENDER 110 1987 onwards  
**Page** AFNXCK2A

**BODY - SILL PANELS - STATION WAGON**

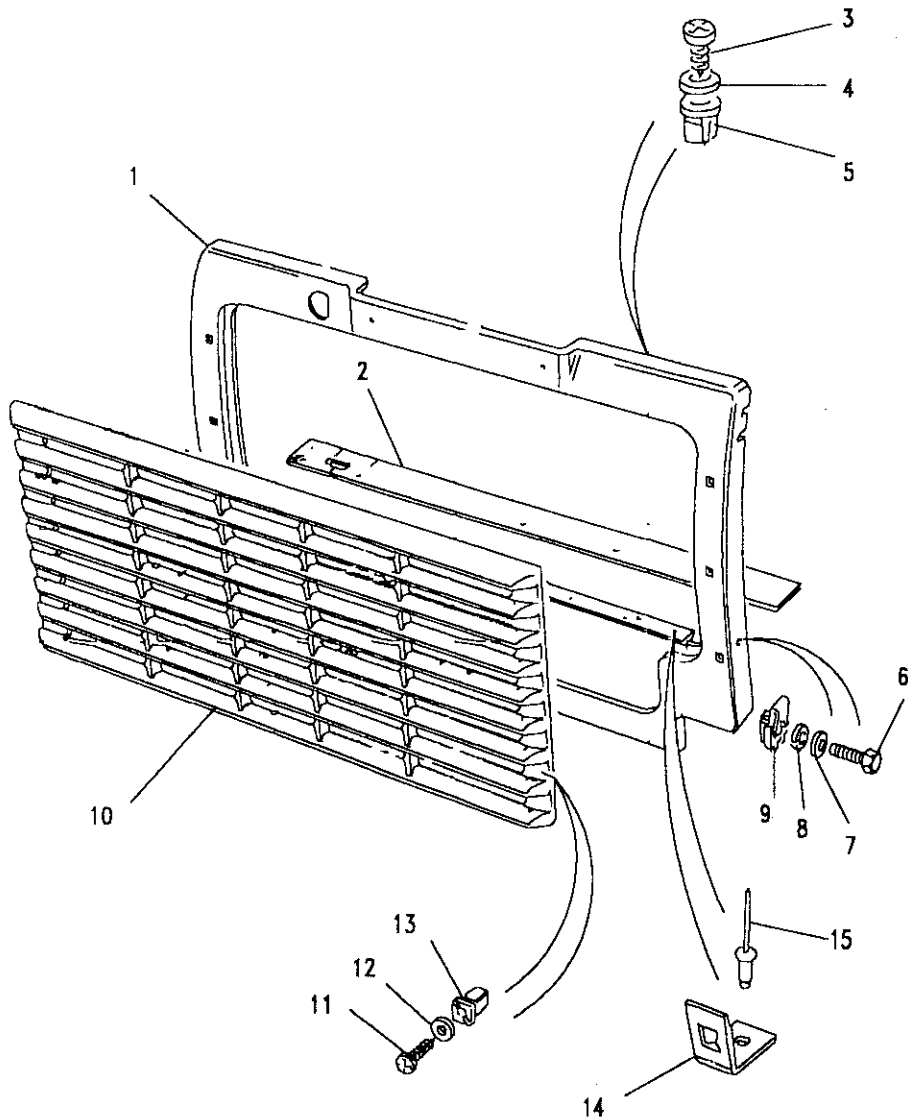
Ill. Part No.	Description	Qty	Remarks
<b>Channel to dash</b>			
29	MRC5765	2	Stud plate
30	RTC610	4	Washer plain
31	WM600051L	4	Washer spring
32	FN108041L	4	Nut
	MRC6359	1	Bracket RH
33	MRC6360	1	Bracket LH
<b>Bracket to rear sill panel</b>			
34	SX108251	8	Screw
35	WP185	2	Washer plain
36	RTC601	16	Washer plain
37	WM600051L	8	Washer spring
38	FN108041L	8	Nut
<b>Frame to rear floor</b>			
39	SH108161L	4	Screw
40	WC108051L	4	Washer plain
	RTC613	4	Washer plain
41	WM600051L	4	Washer spring
42	FN108041L	4	Nut
	MUC9110	4	Nut Plate



**Model** DEFENDER 110 1987 onwards  
**Page** AFNXDA1A

**BODY - RADIATOR GRILLE**

Ill. Part No.	Description	Qty	Remarks
<b>Non air con</b>			
1	MWC2926 ALR1339	Panel grille Panel grille	1 Upto HA906578 1 From JA906579
<b>Air con</b>			
1	MUC6112 ALR1522	Panel grille Panel grille	1 Upto HA906578 1 From JA906579
2	MRC9544	Seal	1
<b>All variants</b>			
3	AB606057	Screw	4
4	WC105007	Washer plain	4
5	RTC3745	Nut lokut	4
<b>Fixings - Non air con</b>			
6	FS108207L	Screw	2
7	WL108001L	Washer spring	2
8	WA108051L	Washer plain	2
9	NJ108061L	Nut retainer	2
<b>Fixings - Air con</b>			
	MTC6332	Bracket mounting	2
	AB614065L	Screw	2
	WL106005L	Washer spring	2
	WA106045L	Washer plain	2
	AK612011L	Nut spring	2



**Model** DEFENDER 110 1987 onwards  
**Page** AFNXDA1A

**BODY - RADIATOR GRILLE**

Ill. Part No.	Description	Qty	Remarks
10	MTC3862	1	Grille
	MWC8466CUF	1	Grille Arrow Red
	MWC8466HCC	1	Grille Bronze Green
	MWC8466HCN	1	Grille Trident Green
	MWC8466JUG	1	Grille Shire Blue
	MWC8466LCN	1	Grille Slate Grey
	MWC8466NCM	1	Grille Ivory
	MWC8466PUC	1	Grille Black
	MWC8466HUJ	1	Grille Eastnor Green
	MWC8466SUB	1	Grille Arran Beige
	MWC8466JUH	1	Grille Pacific Blue
	MWC8466NUC	1	Grille White
	MWC8466LUS	1	Grille Grey

**Fixings - Non air con**

11	AB614088	Screw	8
12	WA106045L	Washer plain	8
	WL106005L	Washer spring	2
13	RTC3744	Nut lokut	8

**Fixings - Air con**

	SE105161L	Screw	4
	WC105001L	Washer plain	4
	WF105001L	Washer shakeproof	4

**Not required when chaff guard fitted**

14	MTC6827	Bracket mounting	2
15	RA610183	Rivet	2



DEFENDER 110 1987 onwards

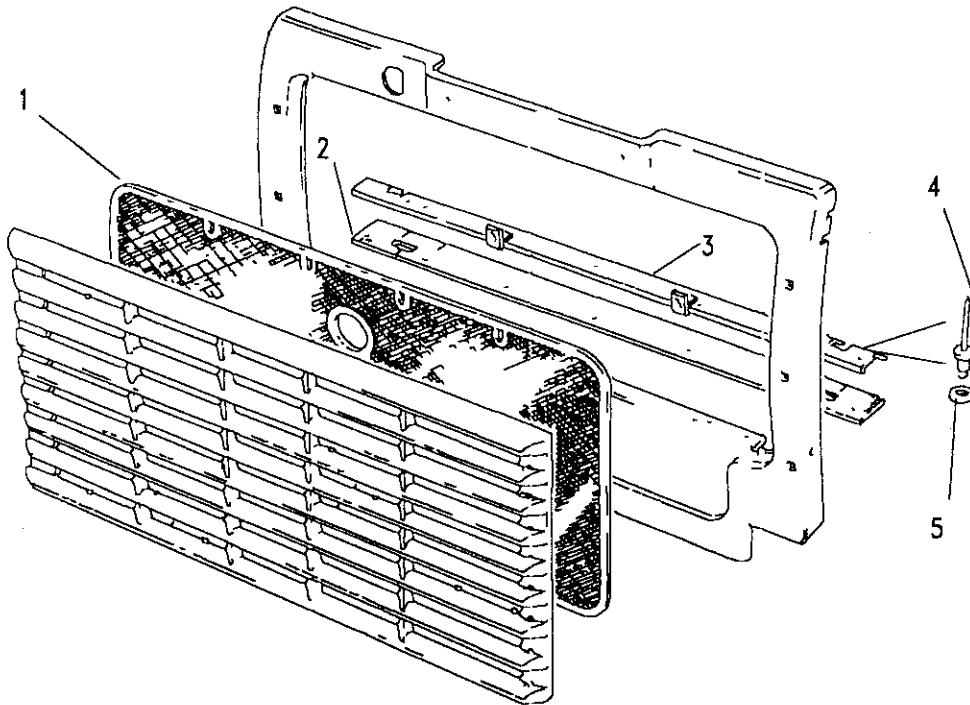
771

BODY AND CHASSIS

**Model** DEFENDER 110 1987 onwards  
**Page** AFNXDA2A

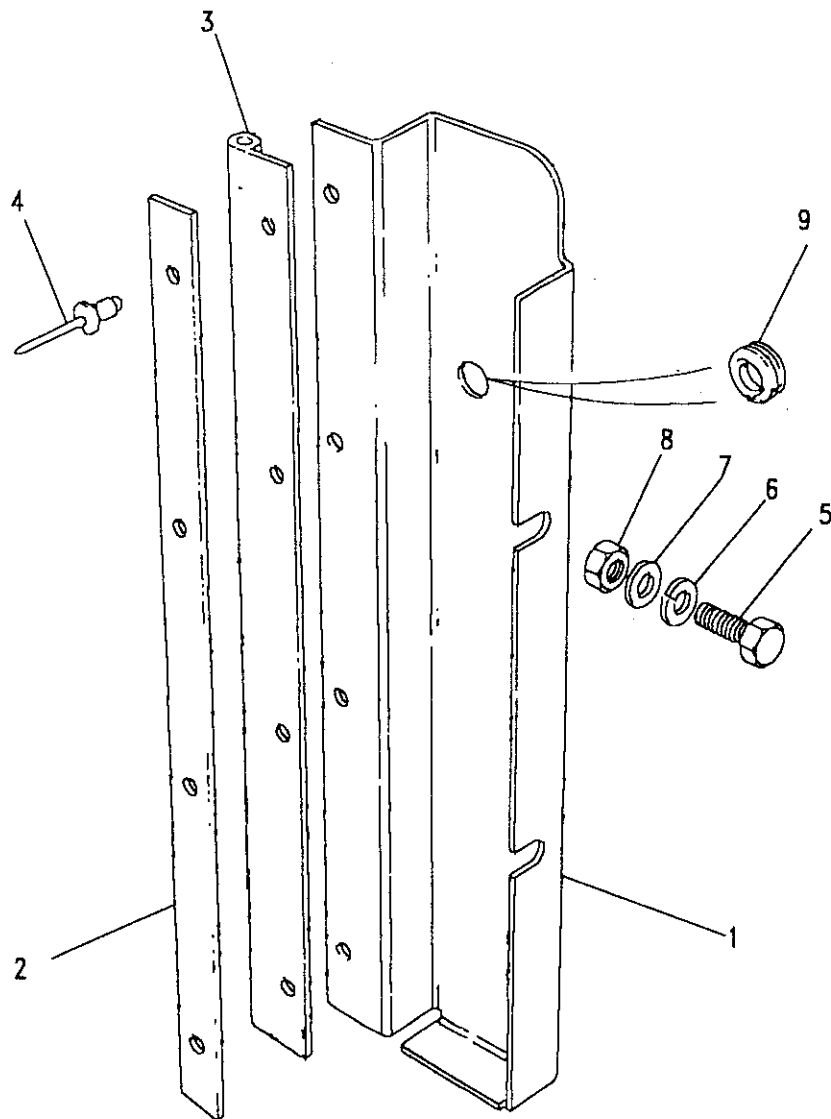
**BODY - HAND/CHAFF GUARD**

III. Part No.	Description	Qty	Remarks
1 MTC4220	Guard hand/chaff	1	
2 MTC4829	Seal	1	
3 MTC4826	Clamp Strip	1	
4 RA612253L	Rivet	7	
5 WA105001L	Washer plain	2	



**Model** DEFENDER 110 1987 onwards  
**Page** AFNXDA3A

**BODY - RADIATOR BAFFLE PLATE**



III. Part No.	Description	Qty	Remarks
1	MRC9393	1	Plate baffle RH
	MRC9394	1	Plate baffle LH
2	MRC8269	2	Plate backing
3	MRC8047	2	Seal
4	RA612183	8	Rivet
5	SH106161	4	Screw
6	WM106001	4	Washer spring
7	WA106041L	4	Washer plain
8	NH106041L	4	Nut
9	235113	1	Grommet

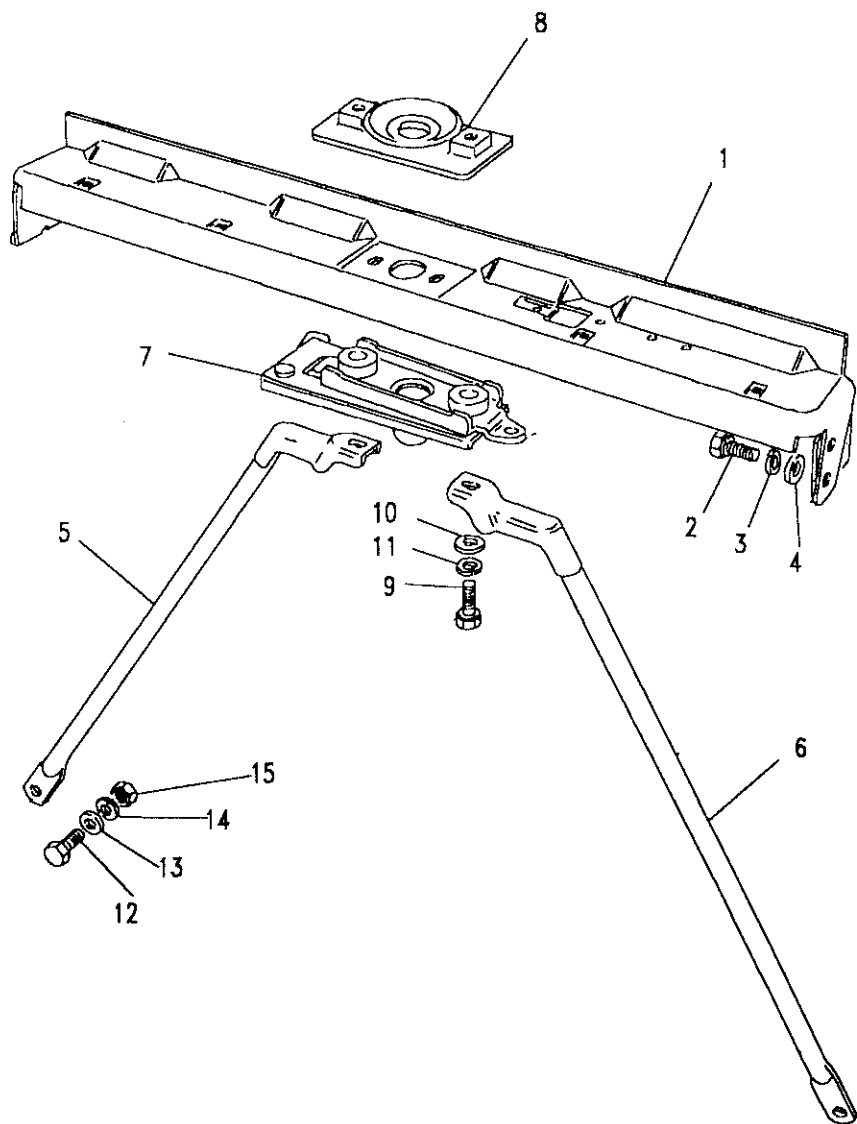
Note(1) Not applicable to Diesel and V8

Model DEFENDER 110 1987 onwards

Page AFNXDC1A

BODY - GRILLE TOP PANEL AND BRACES

III. Part No.	Description	Qty	Remarks
1 MUC4806	Panel grille top	1	Upto FA436664
MXC7732	Panel grille top	1	From FA436665
ALR4564	Panel grille top	1	Upto KA923603
2 FS108207L	Screw	4	From KA923604
FS108251L	Screw	4	Upto FA436664
SH108351L	Screw	4	Non Air Con
3 WL108001L	Washer spring	4	From FA436665
4 WA108051L	Washer plain	4	
5 MUC6658	Cross Brace RH	1	
6 MUC6659	Cross Brace LH	1	
7 ALR2385	Catch bonnet	1	Upto KA929745
STC925	Kit bonnet catch plate	1	From KA929746
8 MUC4804	Washer plate	1	
9 SH106301L	Screw	2	
10 WA106041L	Washer plain	2	
11 WL106001L	Washer spring	2	
12 FS108207L	Screw	2	
13 WA108051L	Washer plain	2	
14 WL108001L	Washer spring	2	
15 FN108041L	Nut	2	Non Air con
NY108041L	Nut	2	Air con

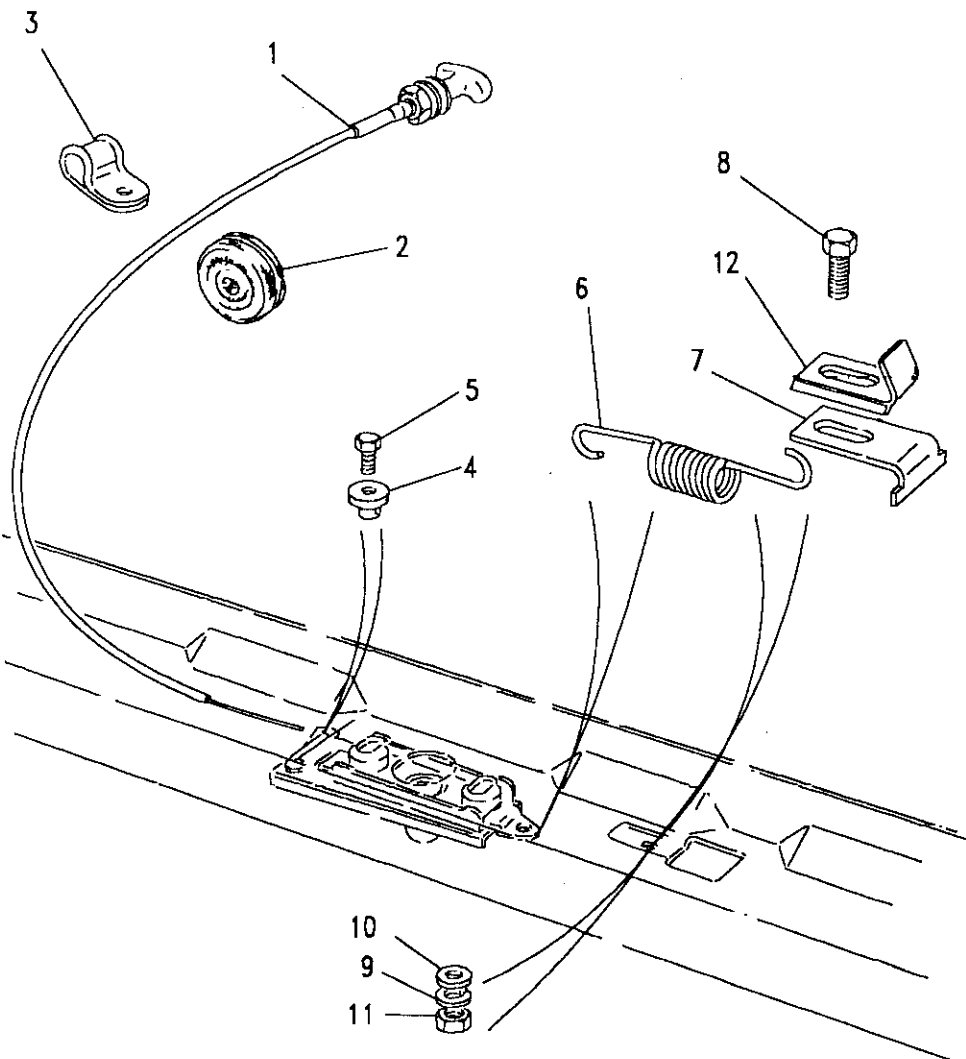


Model DEFENDER 110 1987 onwards

Page AFNXDC2A

**BODY - BONNET RELEASE**

III. Part No.	Description	Qty	Remarks
1 MXC7354	Cable bonnet release	1	
2 235113	Grommet	2	
<b>Suspension cover</b>			
3 3887	Clip cable	1	Upto 344771
MWC9380	Clip cable	1	From 344472
<b>Grille top panel</b>			
13H489L	Clip cable	1	
<b>All variants</b>			
4 STC926	Kit bonnet catch retainer	1	
STC926	Kit bonnet catch retainer	1	
STC925	Kit bonnet catch plate	1	
5 STC926	Kit bonnet catch retainer	1	
STC925	Kit bonnet catch plate	1	
6 351991	Spring	1	
7 393218	Plate adjusting	1	
8 FS106167L	Screw	1	
9 WL106001L	Washer spring	1	
10 WA106041L	Washer plain	1	
11 NH106041L	Nut	1	
12 MWC3339	Plate catch	1	From 321774





DEFENDER 110 1987 onwards

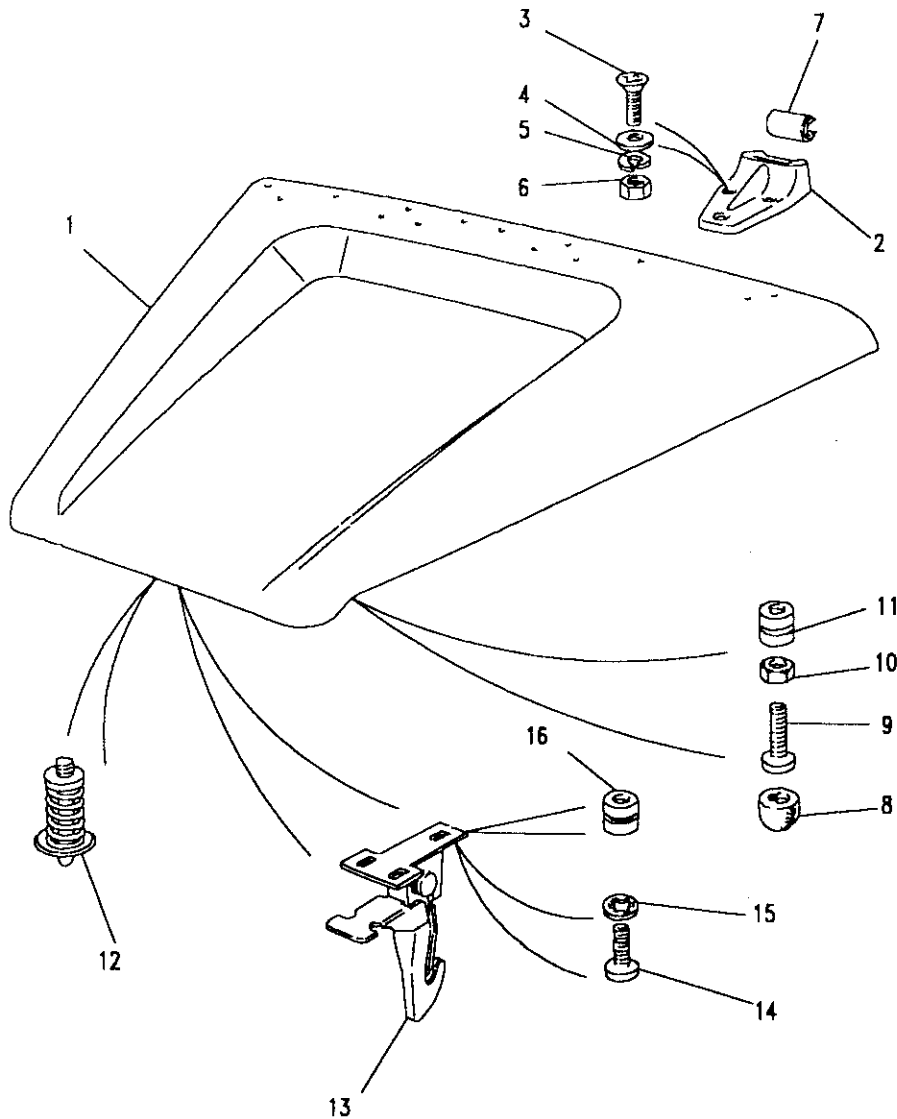
775

BODY AND CHASSIS

Model DEFENDER 110 1987 onwards  
Page AFNXDE1A

BODY - BONNET

III. Part No.	Description	Qty	Remarks
1	RTC6213	1	Bonnet
2	MRC9244	2	Hinge
3	SF106161	6	Screw
4	WB106041	6	Washer plain
5	WL106001L	6	Washer spring
6	NH106041L	6	Nut
7	346849	2	Bush
8	391287	4	Buffer rubber
9	SE108404L	4	Screw
10	NH108044	4	Nut
11	NN108021	4	Nutsert
12	MWC9361	1	Striker bonnet
13	MUC6457	1	Hook safety
14	SE106161L	3	Screw
15	WF106001L	3	Washer shakeproof
16	NN106021	3	Nutsert





Model DEFENDER 110 1987 onwards

Page AFNXDE2A

BODY - BONNET PROPS

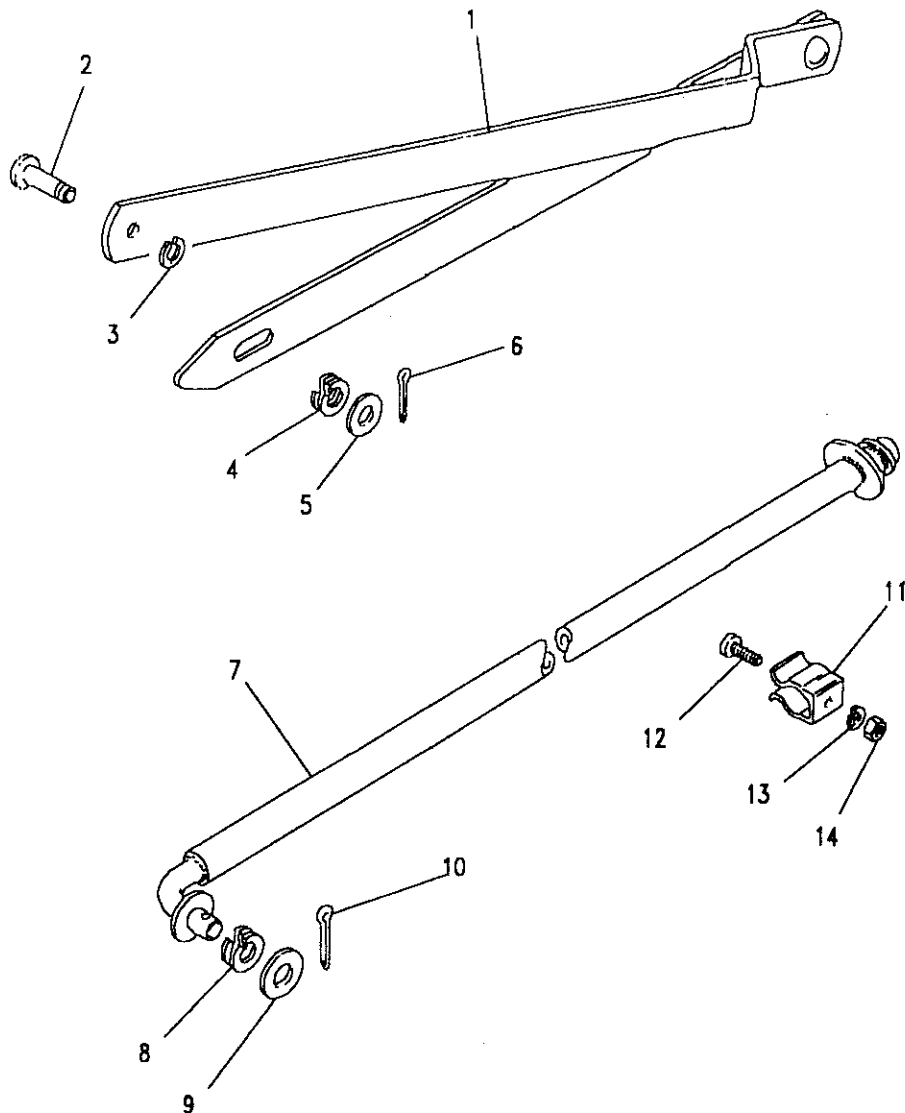
III. Part No. Description Qty Remarks

Scissor prop - Not suitable for bonnet mounted spare wheel

1	MUC4208	Prop bonnet	1
2	336535	Pin pivot	1
3	ADU3430	Clip retaining	1
4	WS108001L	Washer spring	1
5	AFU1104	Washer plain	1
6	PS104127	Pin split	1

Solid prop - Suitable for bonnet mounted spare wheel

7	MTC2220	Prop bonnet	1	Up to LA939975
	ALR6225	Prop bonnet	1	From MA939976
8	WS600061	Washer spring	1	
9	WA110061L	Washer plain	1	
10	PS106161	Pin split	1	
11	MRC7623	Clip prop stowage	1	
12	SP104101	Screw	1	
13	WL104001L	Washer spring	1	
14	NH104041L	Nut	1	

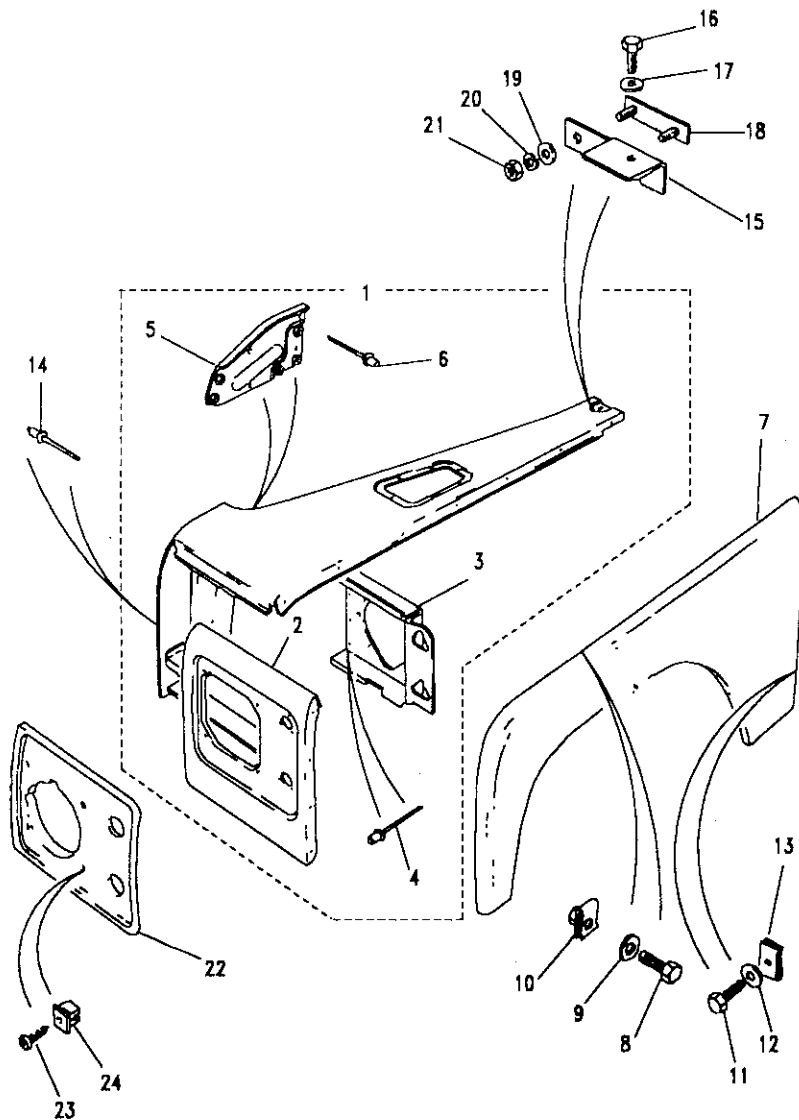


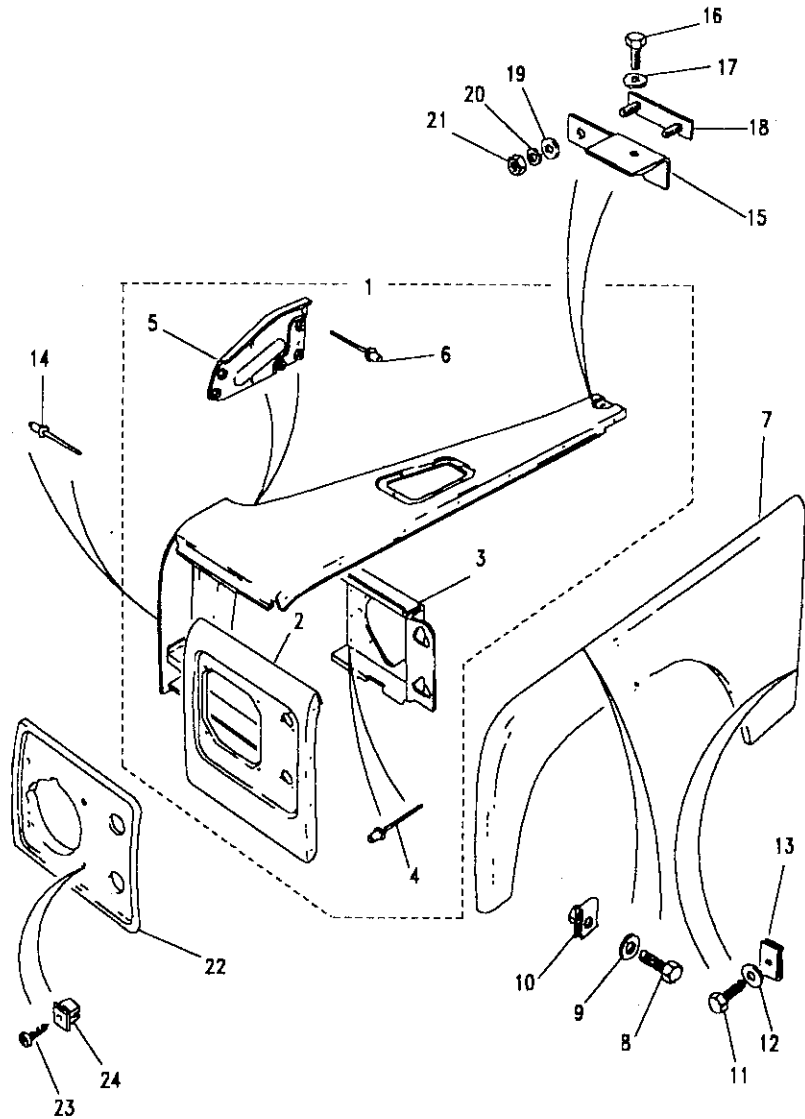


Model DEFENDER 110 1987 onwards  
 Page AFNXEA1A

**BODY - FRONT WINGS**

III. Part No.	Description	Qty	Remarks
1 MXC9343	Wing front RH	1	Up to LA939975
ALR6842	Wing front RH	1	From MA939976
MXC9400	Wing front LH	1	Up to LA939975
ALR6843	Wing front LH	1	From MA939976
<b>Air Con</b>			
MXC9402	Wing front LH	1	Up to LA939975
ALR6840	Wing front LH	1	From MA939976
2 RTC6353	Panel nose RH	1	)Up to
RTC6354	Panel nose LH	1	)LA939975
ALR5990	Panel nose RH	1	)From
ALR5989	Panel nose LH	1	)MA939976
MXC2932	Screw	6	Fixing nose panel
3900L	Washer panel	6	
302532	Nut spire	6	
3 MTC2062	Panel mounting RH	1	
MTC2063	Panel mounting LH	1	
4 78248	Rivet	8	
5 MRC6051	Tie plate RH	1	
MRC6052	Tie plate LH	1	
6 78248	Rivet	8	



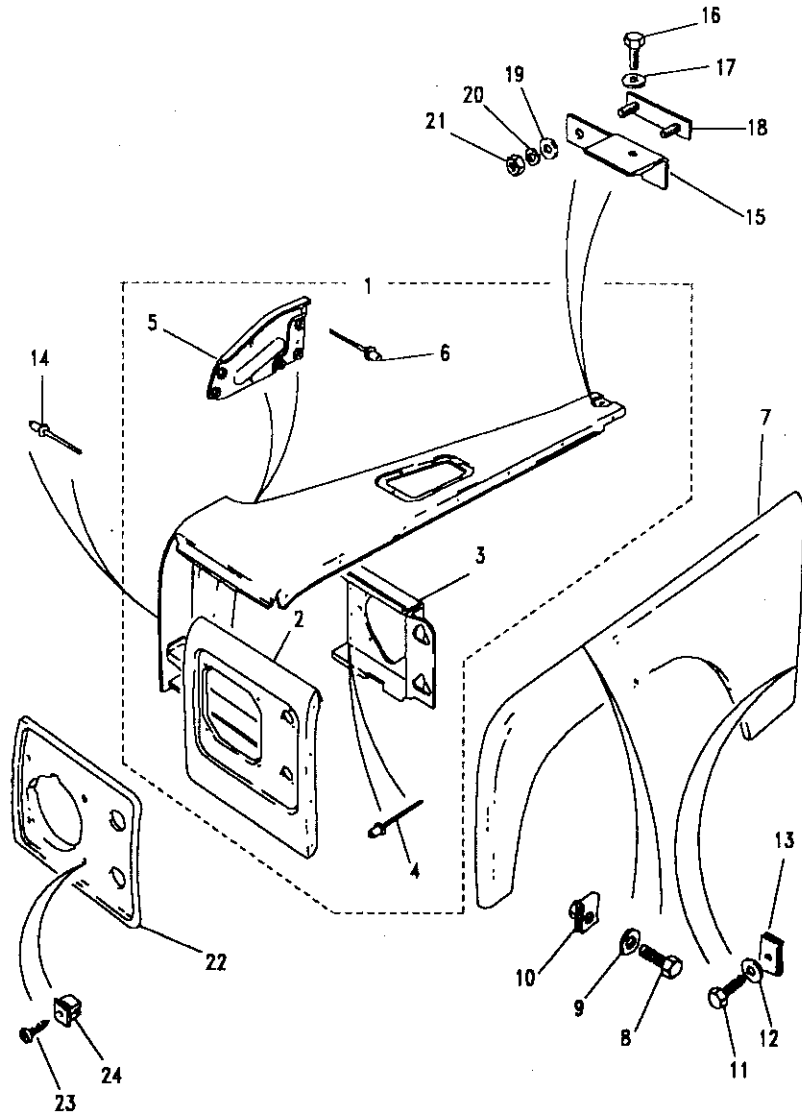


**Model** DEFENDER 110 1987 onwards

**Page** AFNXEA1A

**BODY - FRONT WINGS**

III. Part No.	Description	Qty	Remarks
<b>V8 &amp; 4 Cyl only</b>			
7 RTC6351	Panel outer RH	1	)Up to
RTC6350	Panel outer LH	1	)LA939975
ALR6678	Panel outer RH	1	)From
ALR6121	Panel outer LH	1	)MA939976
<b>Naturally Aspirated Diesel only</b>			
7 RTC6351	Panel outer RH	1	)Up to
RTC6352	Panel outer LH	1	)LA939975
ALR6678	Panel outer RH	1	)From
ALR6121	Panel outer LH	1	)MA939976
<b>200/300 TDi only</b>			
7 RTC6351	Panel outer RH	1	)Up to
RTC6350	Panel outer LH	1	)LA939975
ALR6121	Panel outer LH	1	)From
ALR6122	Panel outer RH	1	)MA939976
8 MXC2932	Screw	22	
9 3900L	Washer plain	22	
10 302532	Nut spire	20	
AH614011L	Nut spring	2	
MUC9339	Washer fibre	4	Diesel Turbo
MUC9339	Washer fibre	4	200Tdi
11 AM605061	Bolt	8	
12 WC108051L	Washer plain	8	
13 AK616011	Nut spire	8	
14 RU612373L	Rivet	8	
<b>Fixings - Wing to dash - Upto 321734</b>			
15 MTC2136	Bracket support RH	1	
MRC8926	Bracket support LH	1	
16 SH106167L	Screw	2	
17 AAU9036	Washer plain	2	
18 MTC2704	Stud plate	2	
19 RTC609	Washer plain	4	
20 WM106001L	Washer spring	4	



**Model** DEFENDER 110 1987 onwards  
**Page** AFNXEA1A

**BODY - FRONT WINGS**

III. Part No.	Description	Qty	Remarks
21 NH106041L	Nut	4	
<b>Fixings - Wing to dash - From 321735</b>			
FS106201L	Flange screw	2	
WL106001L	Spring Washer	2	
WM106001L	Spring Washer	2	
NN106021	Anchor Nut	2	





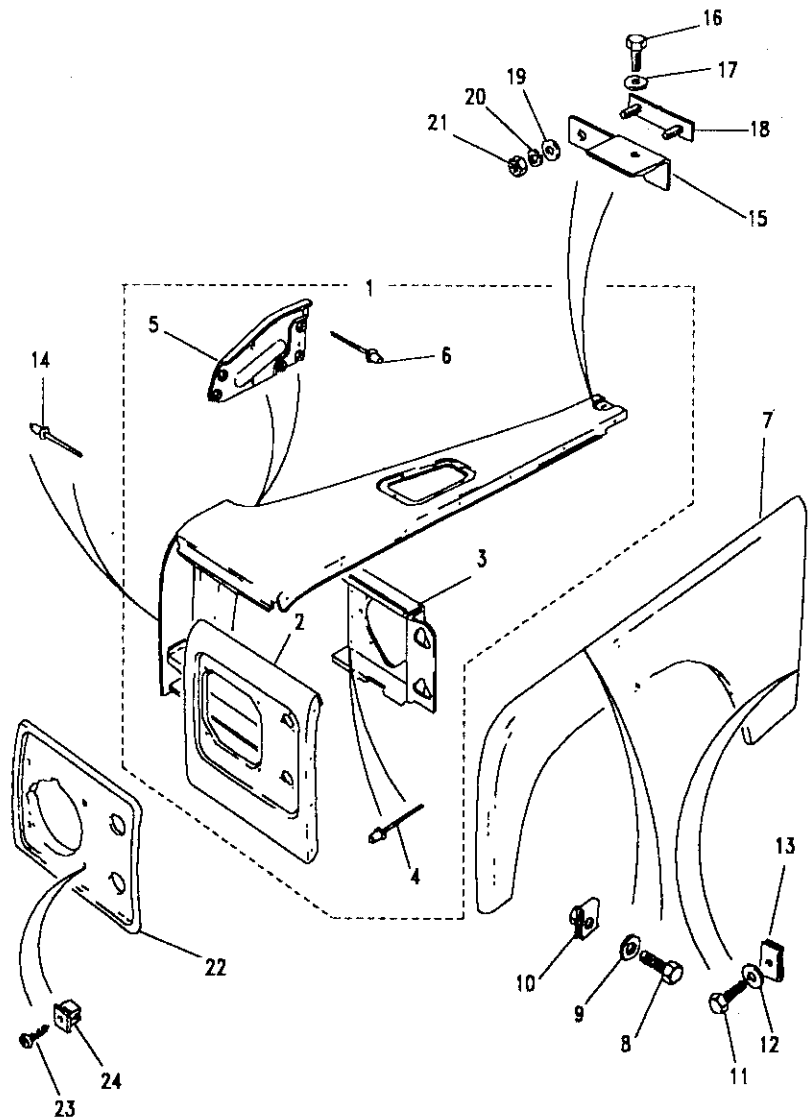
Model DEFENDER 110 1987 onwards  
 Page AFNXEA1A

**BODY - FRONT WINGS**

III. Part No. Description Qty Remarks

**Finisher headlamp surround**

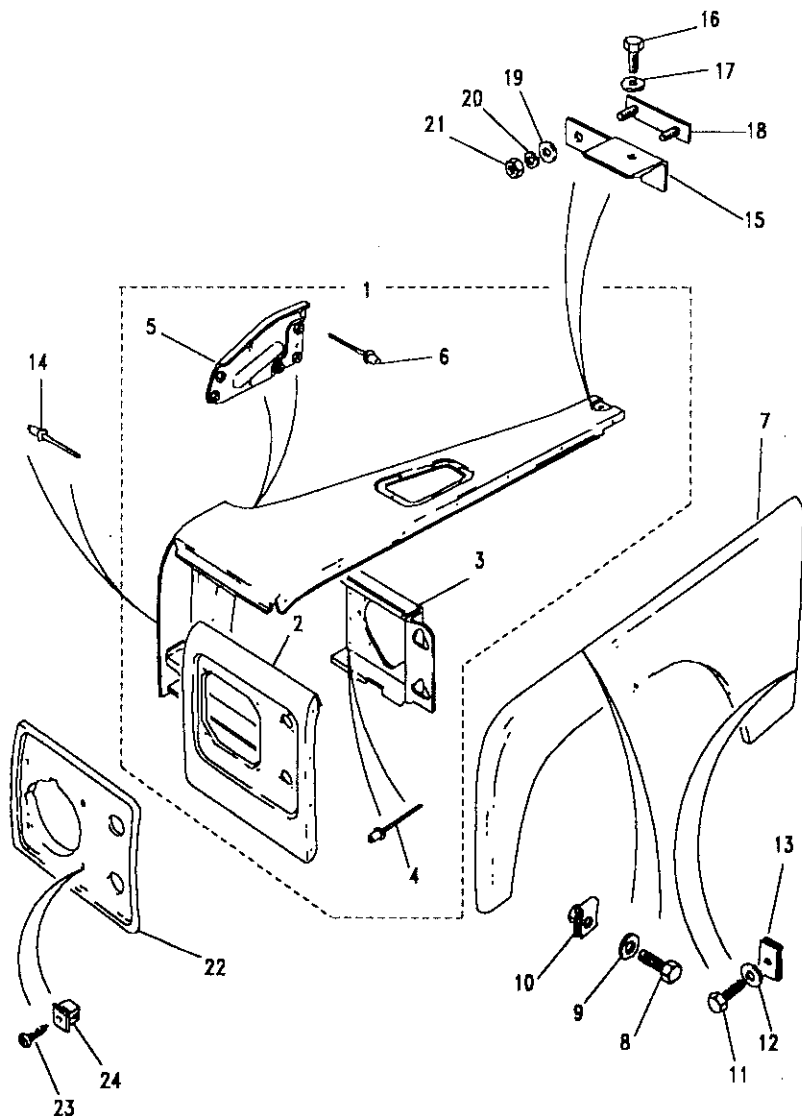
22	MTC7770	Finisher RH	1	
	MTC7769	Finisher LH	1	
	MWC8464CUF	Finisher RH	1	Arrow red
	MWC8465CUF	Finisher LH	1	Arrow red
	MWC8464HCC	Finisher RH	1	Bronze green
	MWC8465HCC	Finisher LH	1	Bronze green
	MWC8464HCN	Finisher RH	1	Trident green
	MWC8465HCN	Finisher LH	1	Trident green
	MWC8464JUG	Finisher RH	1	Shire blue
	MWC8465JUG	Finisher LH	1	Shire blue
	MWC8464LCN	Finisher RH	1	Slate grey
	MWC8465LCN	Finisher LH	1	Slate grey
	MWC8464NCM	Finisher RH	1	Ivory
	MWC8465NCM	Finisher LH	1	Ivory
	BTR7850PUC	Finisher RH	1	Black
	BTR7849PUC	Finisher LH	1	Black
	MWC8464HUJ	Finisher RH	1	Eastnor green
	MWC8465HUJ	Finisher LH	1	Eastnor green
	MWC8464SUB	Finisher RH	1	Arran beige
	MWC8465SUB	Finisher LH	1	Arran beige
	MWC8465JUH	Finisher RH	1	Pacific blue
	MWC8465JUH	Finisher LH	1	Pacific blue
	MWC8464NUC	Finisher RH	1	White
	MWC8465NUC	Finisher LH	1	White
	MWC8464LUS	Finisher RH	1	Grey
	MWC8465LUS	Finisher LH	1	Grey

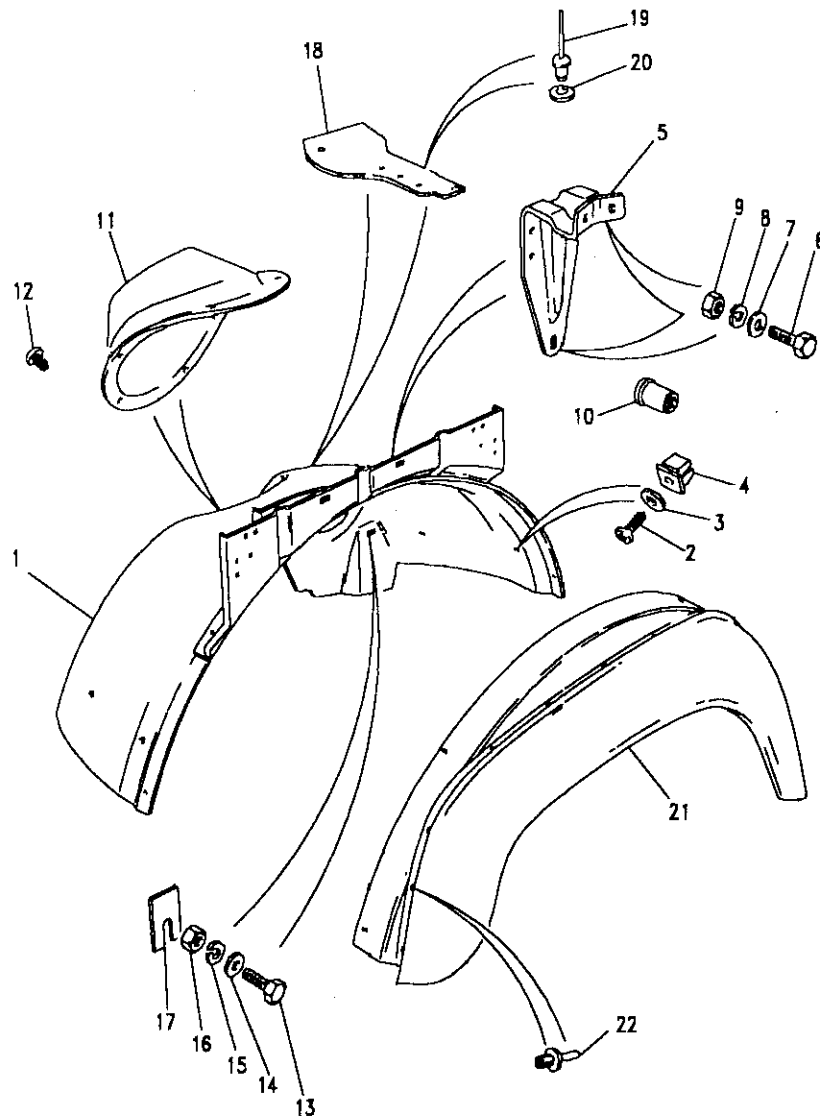


**Model** DEFENDER 110 1987 onwards  
**Page** AFNXEA1A

**BODY - FRONT WINGS**

III. Part No.	Description	Qty	Remarks
23	AB608044L AW606084 AB608044L MWC8567 MXC1684	12 4 4 4 4	)Up to )FA )From )FA )FA
24	79051 79051	12 4	Upto FA From FA
<b>Air con</b>			
MUC3590	Support wing	1	RHD
MUC3601	Cleat	1	RHD





**Model** DEFENDER 110 1987 onwards

**Page** AFNXEC1A

**BODY - FRONT WINGS - WHEELARCH AND EYEBROW**

**III. Part No. Description Qty Remarks**

**Non air conditioning**

1	ALR2261	Wheelarch RH	1	
	ALR2414	Wheelarch RH	1	200Tdi
	ALR4057	Wheelarch RH	1	300Tdi
	ALR2262	Wheelarch LH	1	
	ALR2265	Wheelarch LH	1	Diesel Turbo
	ALR2265	Wheelarch LH	1	200Tdi

**Air conditioning - LHS**

1	MXC4630	Wheelarch RH	1	
	ALR2415	Wheelarch RH	1	200Tdi
	ALR2262	Wheelarch LH	1	Up to LA939975
	ALR3970	Wheelarch LH	1	From MA939976
	ALR2265	Wheelarch LH	1	Diesel Turbo
	ALR2265	Wheelarch LH	1	200Tdi

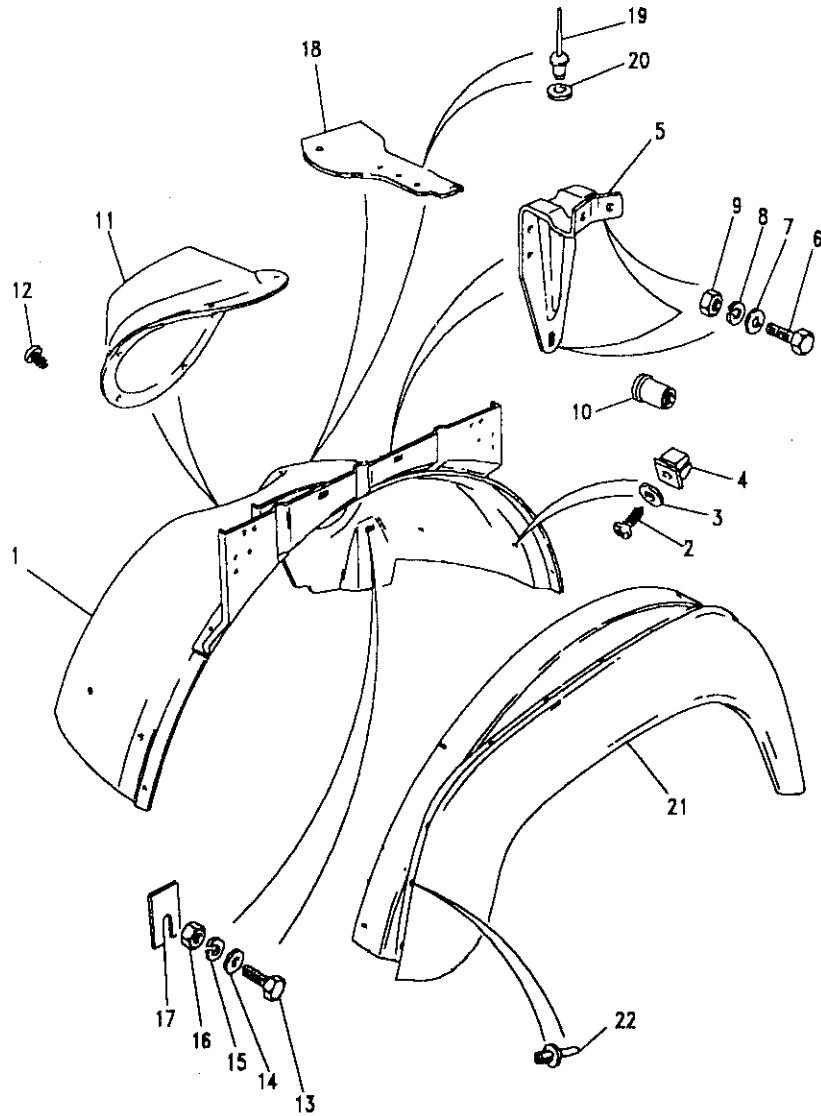
**Air Conditioning - RHS**

1	ALR2261	Wheelarch RH	1	
	ALR2414	Wheelarch RH	1	200Tdi
	ALR4057	Wheelarch RH	1	300Tdi
	MXC4631	Wheelarch LH	1	Up to JA909452
	ALR2264	Wheelarch LH	1	From JA909453



Model DEFENDER 110 1987 onwards  
Page AFNXEC1A

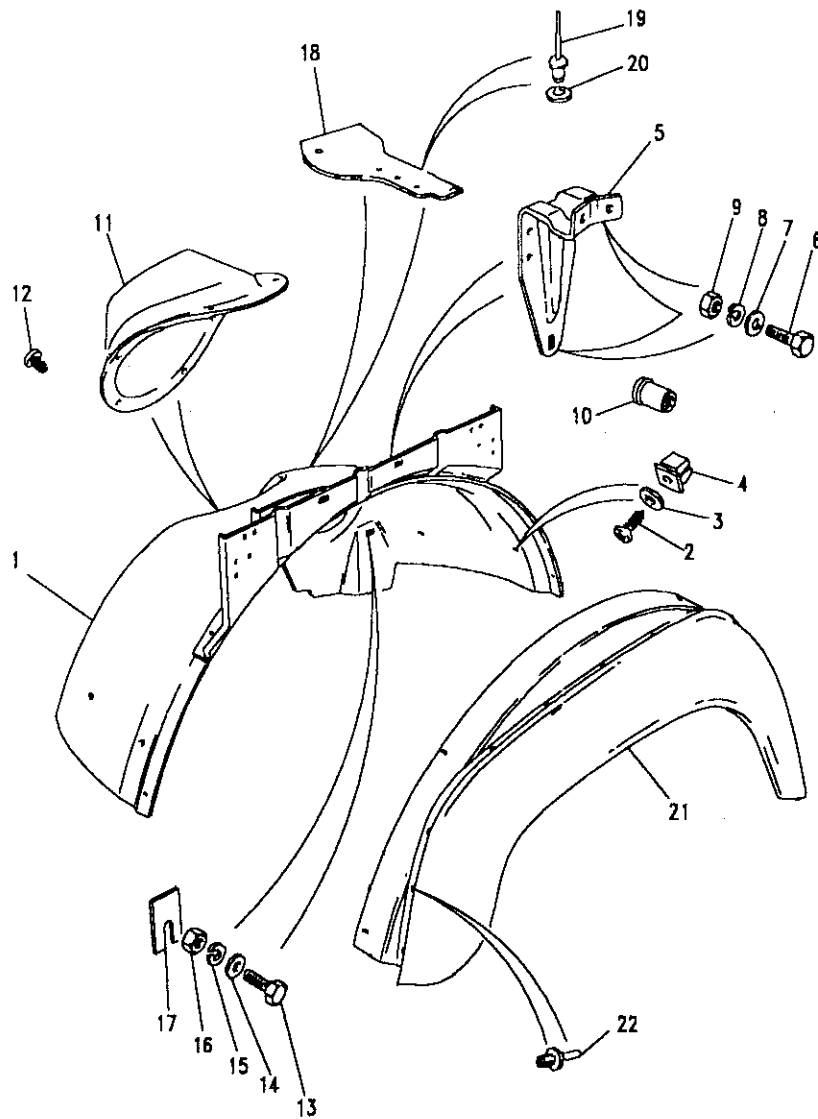
BODY - FRONT WINGS - WHEELARCH AND EYEBROW



III. Part No.	Description	Qty	Remarks
2	AB614061L Screw	8	
3	AFU1069 Washer plain	8	
4	RTC3744 Nut lokut	8	
5	MRC9735 Stay RH	1	RHS
	MRC9734 Stay LH	1	LHS
6	FS106167L Screw	4	
7	WA106041L Washer plain	4	
8	WL106001L Washer spring	4	
9	NH106041L Nut	2	
10	NN106021 Nut anchor	2	
11	MRC9520 Cover suspension	2	
	AAU3686 Cable tie	1	From HA906232
12	AR608021L Screw	12	Upto 344771
	AR608021L Screw	11	From 344772
	AR608031L Screw	1	From 344772
13	FS108251L Screw	8	
	SH108501L Screw	4	
14	AFU1079 Washer plain	8	
15	WM600051L Washer spring	12	
16	FN108041L Nut	12	
17	MRC4037 Shim	24	







Model DEFENDER 110 1987 onwards

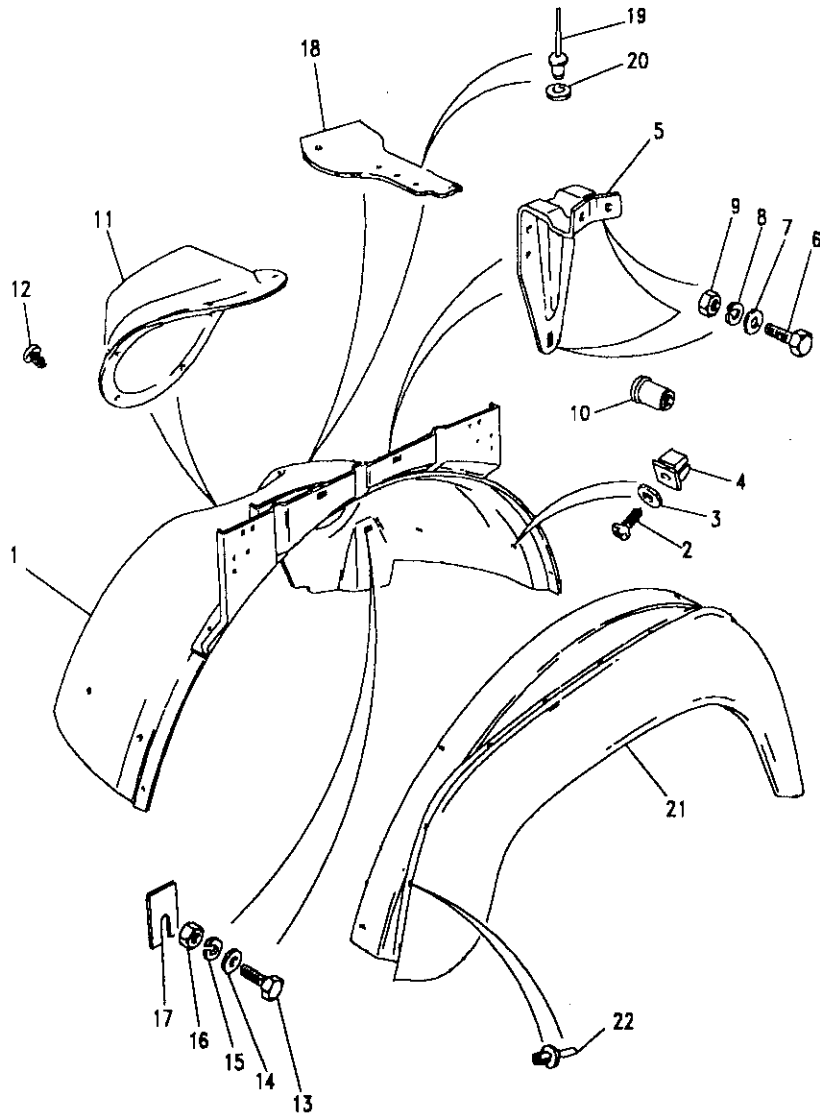
Page AFNXC1A

**BODY - FRONT WINGS - WHEELARCH AND EYEBROW**

Ill. Part No.	Description	Qty	Remarks
18 MUC9704	Closer inner wing	2	)Diesel Turbo
19 78248	Rivet	6	)
20 WA105001L	Washer plain	6	)

**Eyebrow moulding front wing**

21 MRC9378	Eyebrow RH	1	)Black
MRC9377	Moulding	1	)gloss
RRC3043	Eyebrow RH	1	)Black
RRC3044	Eyebrow LH	1	)matt
MTC6874AA	Eyebrow RH	1	Arizona tan
MTC6875AA	Eyebrow LH	1	Arizona tan
MTC6874CL	Eyebrow RH	1	Venetian red
MTC6875CL	Eyebrow LH	1	Venetian red
MTC6874HC	Eyebrow RH	1	Bronze green
MTC6875HC	Eyebrow LH	1	Bronze green
MTC6874HN	Eyebrow RH	1	Trident green
MTC6875HN	Eyebrow LH	1	Trident green
MTC6874JC	Eyebrow RH	1	Marine blue
MTC6875JC	Eyebrow LH	1	Marine blue
MTC6874JP	Eyebrow RH	1	Stratos blue
MTC6875JP	Eyebrow LH	1	Stratos blue
MTC6874LN	Eyebrow RH	1	Slate grey
MTC6875LN	Eyebrow LH	1	Slate grey
MTC6874NM	Eyebrow RH	1	Ivory
MTC6875NM	Eyebrow LH	1	Ivory
MTC6874CUF	Eyebrow RH	1	Arrow red
MTC6875CUF	Eyebrow LH	1	Arrow red

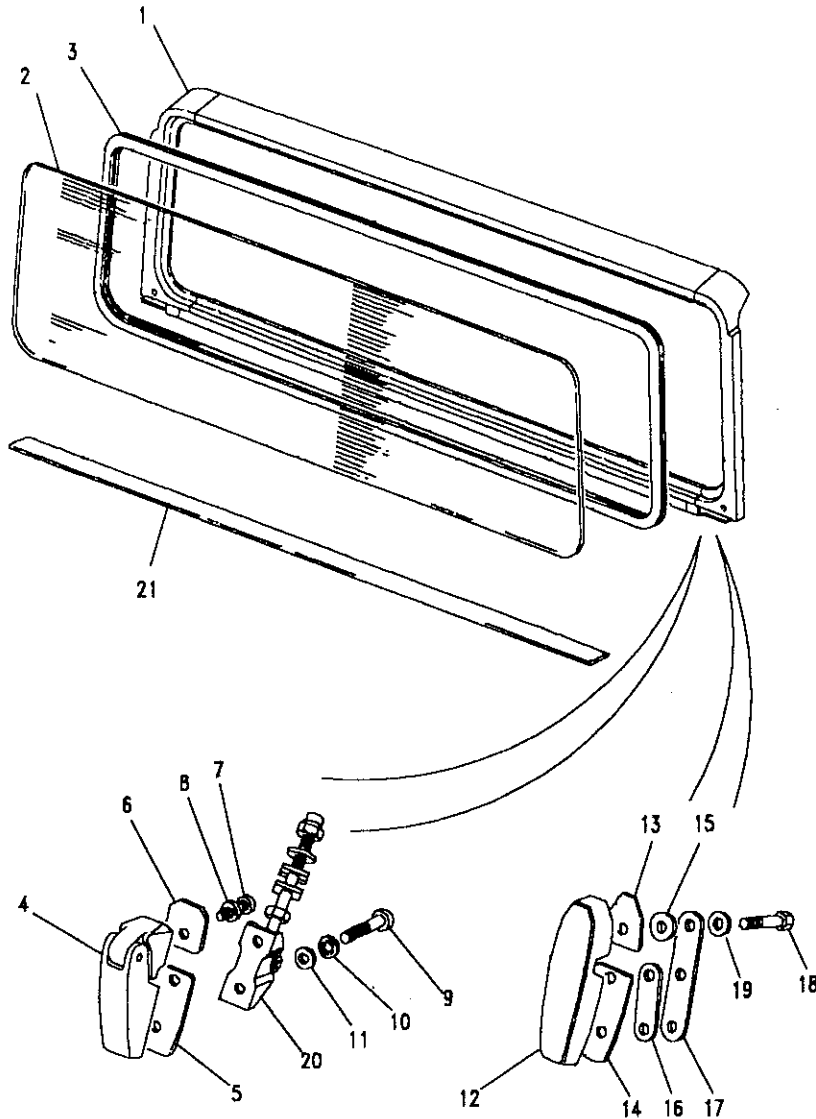


**Model** DEFENDER 110 1987 onwards  
**Page** AFNXC1A

**BODY - FRONT WINGS - WHEELARCH AND EYEBROW**

III. Part No.	Description	Qty	Remarks
MTC6874JUG	Eyebrow RH	1	Shire blue
MTC6875JUG	Eyebrow LH	1	Shire blue
MTC6874HUJ	Eyebrow RH	1	Eastnor green
MTC6875HUJ	Eyebrow LH	1	Eastnor green
MTC6874SUB	Eyebrow RH	1	Arran beige
MTC6875SUB	Eyebrow LH	1	Arran beige
MTC6874JUH	Eyebrow RH	1	Pacific blue
MTC6875JUH	Eyebrow LH	1	Pacific blue
MTC6874NUC	Eyebrow RH	1	White
MTC6875NUC	Eyebrow LH	1	White
MTC6874LUS	Eyebrow RH	1	Grey
MTC6875LUS	Eyebrow LH	1	Grey
MTC6874CUH	Eyebrow RH	1	County red
MTC6875CUH	Eyebrow LH	1	County red
MTC6874HUL	Eyebrow RH	1	County green
MTC6875HUL	Eyebrow LH	1	County green
MTC6874PUE	Eyebrow RH	1	County black
MTC6875PUE	Eyebrow LH	1	County black
MTC6874CUY	Eyebrow RH	1	Montpelier red
MTC6875CUY	Eyebrow LH	1	Montpelier red
MTC6874HYE	Eyebrow RH	1	Coniston green
MTC6875HYE	Eyebrow LH	1	Coniston green
22 AFU1075	Rivet plastic	32	

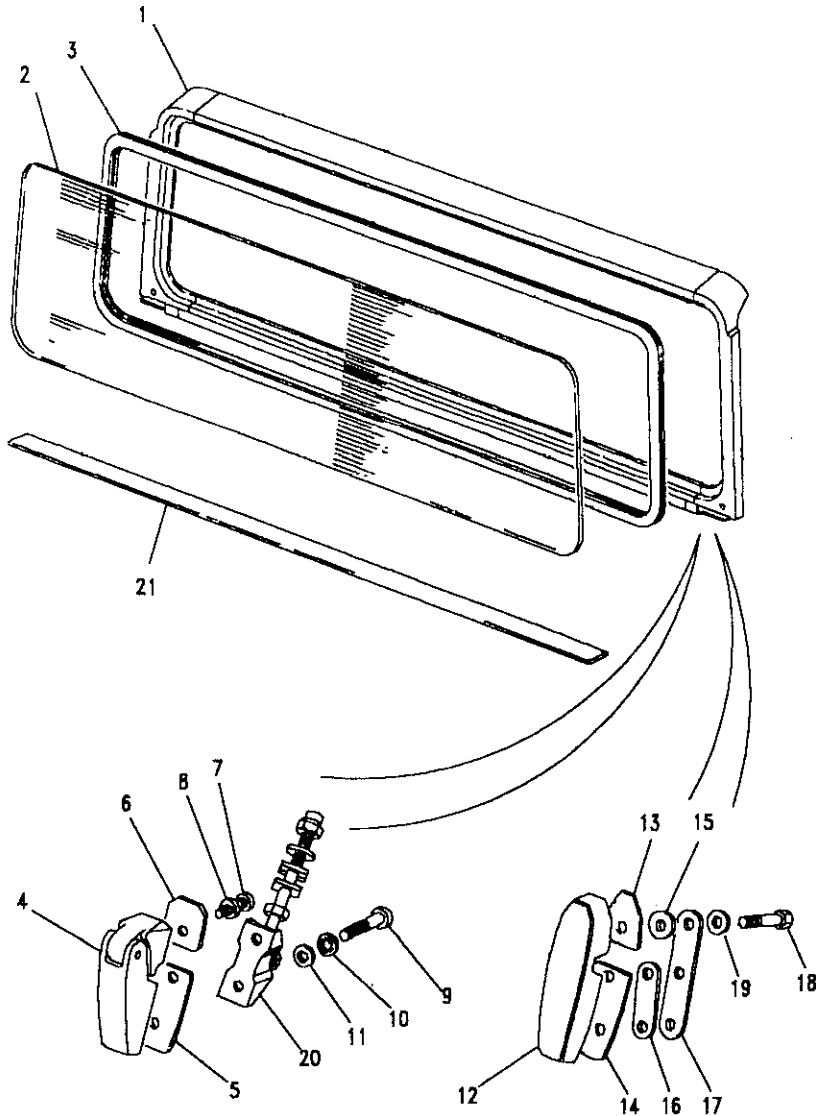
Note(1) Rear eyebrows see page 874 - 875



**Model** DEFENDER 110 1987 onwards  
**Page** AFNXFA1A

**BODY - WINDSCREEN**

III. Part No.	Description	Qty	Remarks
1	MUC2594	1	Windscreen frame
2	MTC3452	1	Glass laminated tint
	MTC2864	1	Glass laminated clear
	MTC2863	1	Glass toughened clear
3	MUC3733	1	Glazing rubber
<b>Upto JA912388</b>			
4	MXC7847	1	Hinge LH
	MXC7846	1	Hinge RH
5	MXC9982	2	Gasket
6	MUC7904	2	Gasket
	MXC9983	2	Gasket
7	SE110401	2	Screw
8	MUC3906	2	Washer nylon
9	SS108404	4	Screw
10	WF108004L	4	Washer shakeproof
11	WA108051L	4	Washer plain
			Upto HA466878
			From HA466879
			NLA

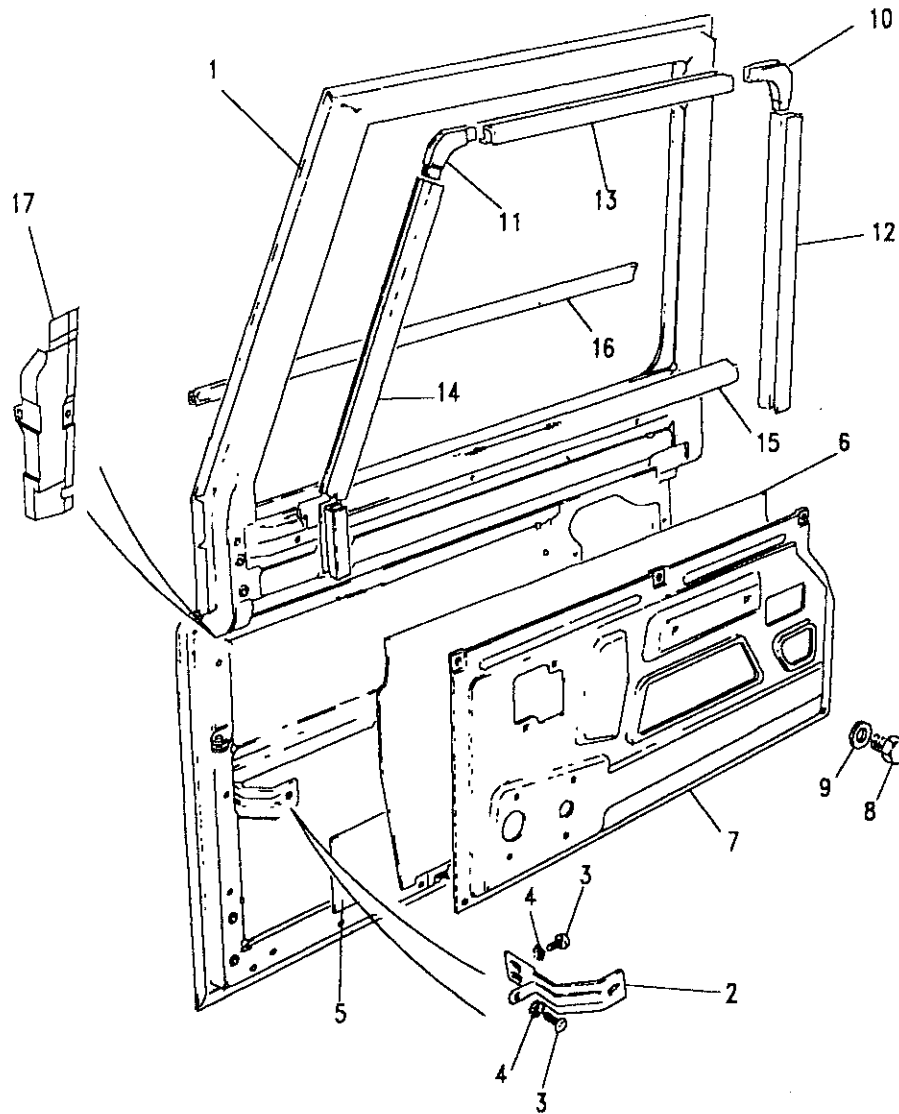


Model DEFENDER 110 1987 onwards  
 Page AFNXFA1A

BODY - WINDSCREEN

III. Part No.	Description	Qty	Remarks
<b>From JA912389</b>			
12 MUC7911	Bracket windscreen RH	1	
MUC7912	Bracket windscreen LH	1	
13 MXC9982	Gasket lower	2	
14 MXC9983	Gasket upper	2	
15 MUC7907	Washer packing	2	
16 MUC4289	Packing piece	2	
17 MUC4290	Strap	2	
18 FB108101	Bolt	6	
19 WA108051L	Washer plain	6	
20 RTC6159	Clamp	2	
21 ALR1737	Seal	1	Upto KA925389
ALR5058	Seal windscreen	1	From KA925390

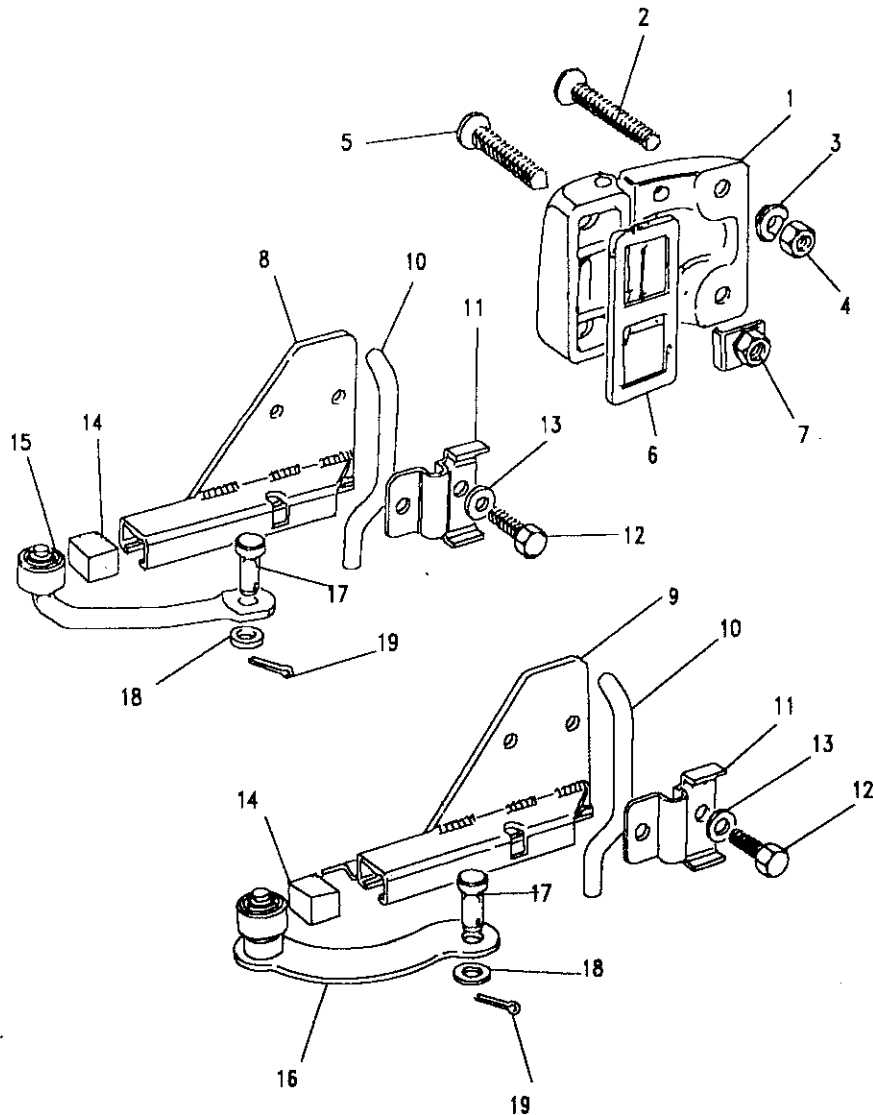




**Model** DEFENDER 110 1987 onwards  
**Page** AFNXGA1A

**BODY - FRONT DOOR CLINCHED ASSEMBLY**

Ill.	Part No.	Description	Qty	Remarks
1	MXC7958	Door RH	1	)Up to
	MXC7959	Door LH	1	)LA933876
	ALR6256	Door RH	1	)From
	ALR6257	Door LH	1	)LA933877
	ALR1800	Bracket pivot RH	1	
	ALR1801	Bracket pivot LH	1	
2	MWC8223	Bracket support	2	
	SE106161L	Screw	4	
4	WE106001L	Washer shakeproof	4	
5	MTC5463	Pad sound deadening	2	
6	MWC3293	Curtain water	2	
7	MWC8270	Panel inner RH	1	)Upto
	MWC8271	Panel inner LH	1	)LA932486
	ALR4541	Panel inner RH	1	)From
	ALR4540	Panel inner LH	1	)LA932487
8	SH106101L	Screw	10	
9	WA106041L	Washer plain	10	
10	201235	Filler rear corner	2	
11	201647	Filler front corner	2	
12	MUC1651	Filler vertical	2	
13	MUC1652	Filler top	2	
14	MUC1730	Filler sloping RH	1	
	MUC1731	Filler sloping LH	1	
15	MTC8473	Seal waist inner	2	
16	MTC8474	Seal waist outer	2	Up to LA937709
	ALR5980	Seal waist outer	2	From LA937710
17	MXC7570	Deflector RH	1	From FA429397
	MXC7571	Deflector LH	1	From FA429397



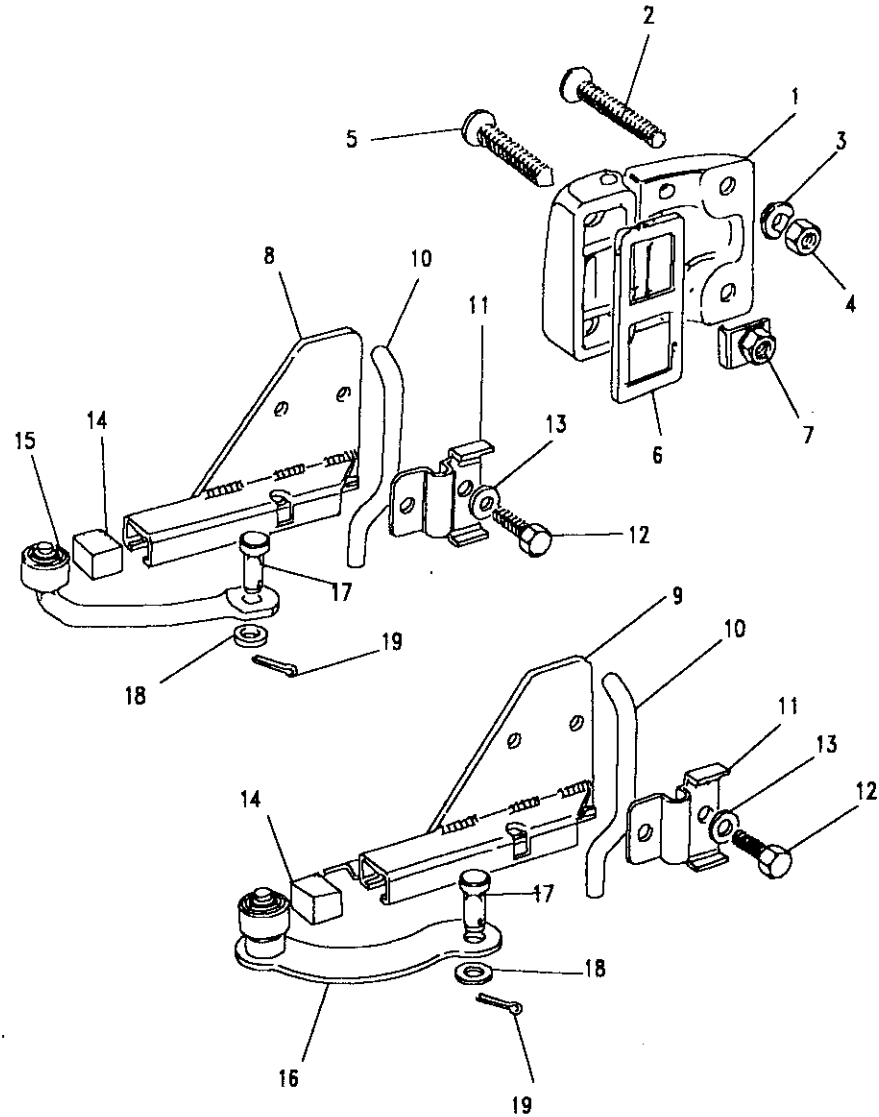
**Model** DEFENDER 110 1987 onwards  
**Page** AFNXGA2A

**BODY - FRONT DOOR - HINGES AND DOOR CHECK**

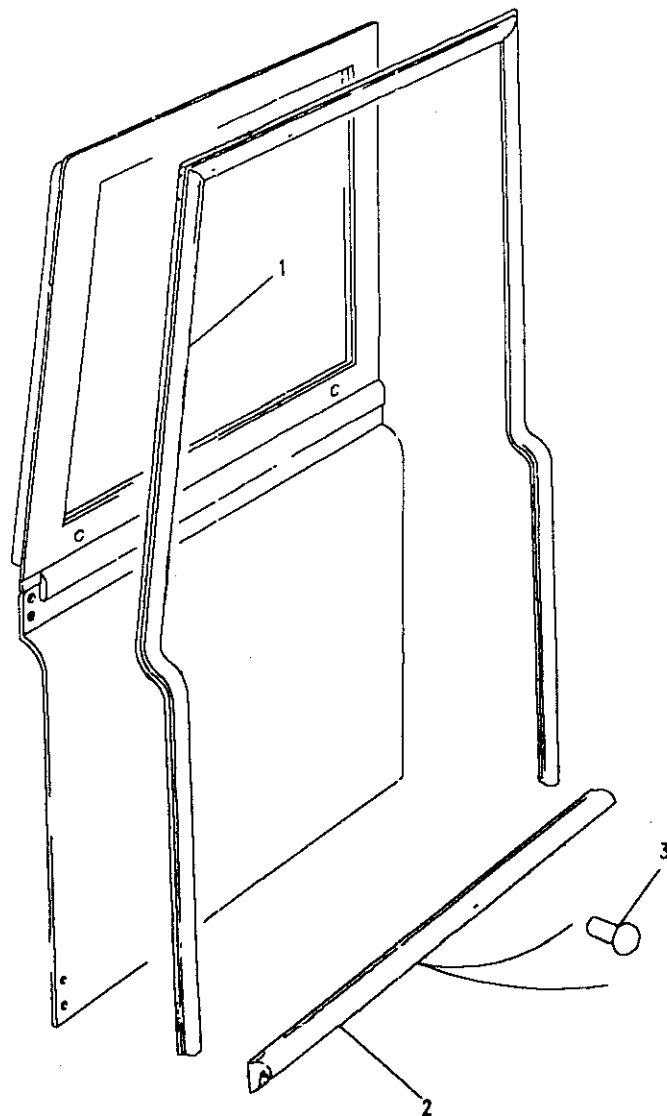
III. Part No.	Description	Qty	Remarks
1	MXC8284	1	Hinge door upper RH
	MXC8285	1	Hinge door upper LH
	MXC8282	1	Hinge door lower RH
	MXC8283	1	Hinge door lower LH
<b>Fixings - Hinge to door</b>			
2	MRC2762	8	Screw
	MWC1899	8	Screw
	MWC1898	4	Packing piece
3	MRC1980	8	Washer nylon
4	NH605041L	8	Nut
<b>Fixings - Hinge to body</b>			
5	79221	8	Screw
6	347369	4	Washer seating
7	MRC2178	8	J nut
<b>Two hole fixing</b>			
8	MUC6164	1	Channel checkstrap RH
	MUC6163	1	Channel checkstrap LH
			)Upto 303449
<b>Three hole fixing</b>			
9	MWC5018	1	Channel checkstrap RH
	MWC5019	1	Channel checkstrap LH
			)From 303450

**Model** DEFENDER 110 1987 onwards  
**Page** AFNXGA2A

**BODY - FRONT DOOR - HINGES AND DOOR CHECK**



III. Part No.	Description	Qty	Remarks
10 ALR2318	Torsion Bar RH	1	
MUC6159	Torsion Bar LH	1	Upto HA906550
ALR2319	Torsion Bar LH	1	From HA906551
11 MUC6157	Bracket pivot	2	
12 SH106301L	Screw	4	
13 WA106041L	Washer plain	4	
14 MWC5759	Buffer rubber	1	
<b>Rod type</b>			
15 MUC1888	Checklink RH	1	)Up to
MUC1889	Checklink LH	1	)303449
<b>Plate type</b>			
16 ALR2321	Checklink RH	1	)From
ALR2322	Checklink LH	1	)303450
17 306564	Pin clevis	2	Upto 303449
PC108321L	Pin clevis	2	From 303450
18 WA108051L	Washer plain	2	
302373	Washer rubber	2	
19 2393	Pin split	2	Upto HA455595
NTC6195	R clip	2	From HA455596



Model DEFENDER 110 1987 onwards  
Page AFNXGA3A

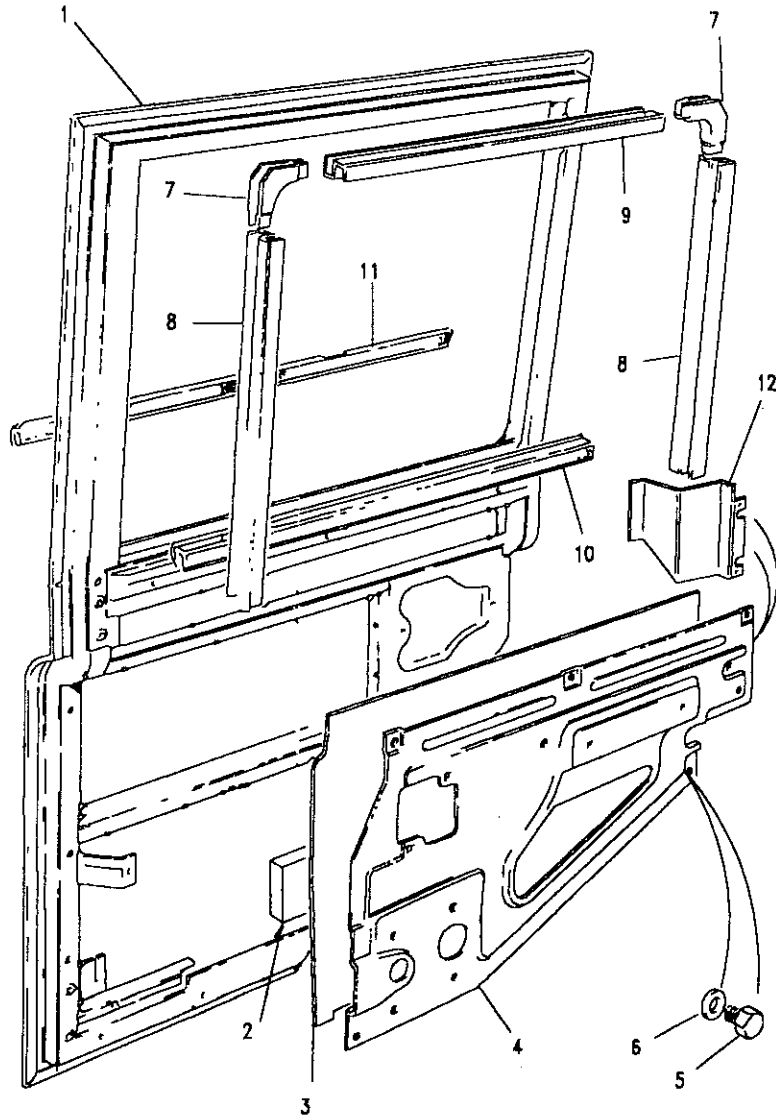
**BODY - FRONT DOOR - SEALS**

III. Part No.	Description	Qty	Remarks
1 MWC1080	Door seal front RH	1	)
MWC1081	Door seal front LH	1	)Note(1)
ALR4936	Door seal front RH	1	)
ALR4937	Door seal front LH	1	)Note(2)
2 MWC6130	Sill Seal	2	Note(1)
ALR6250	Sill seal	2	Note(2)
3 78248	Rivet	18	Note(1)
ALR6280	Rivet	20	Note(2)

Note(1) Up to LA933876  
Note(2) From LA933877



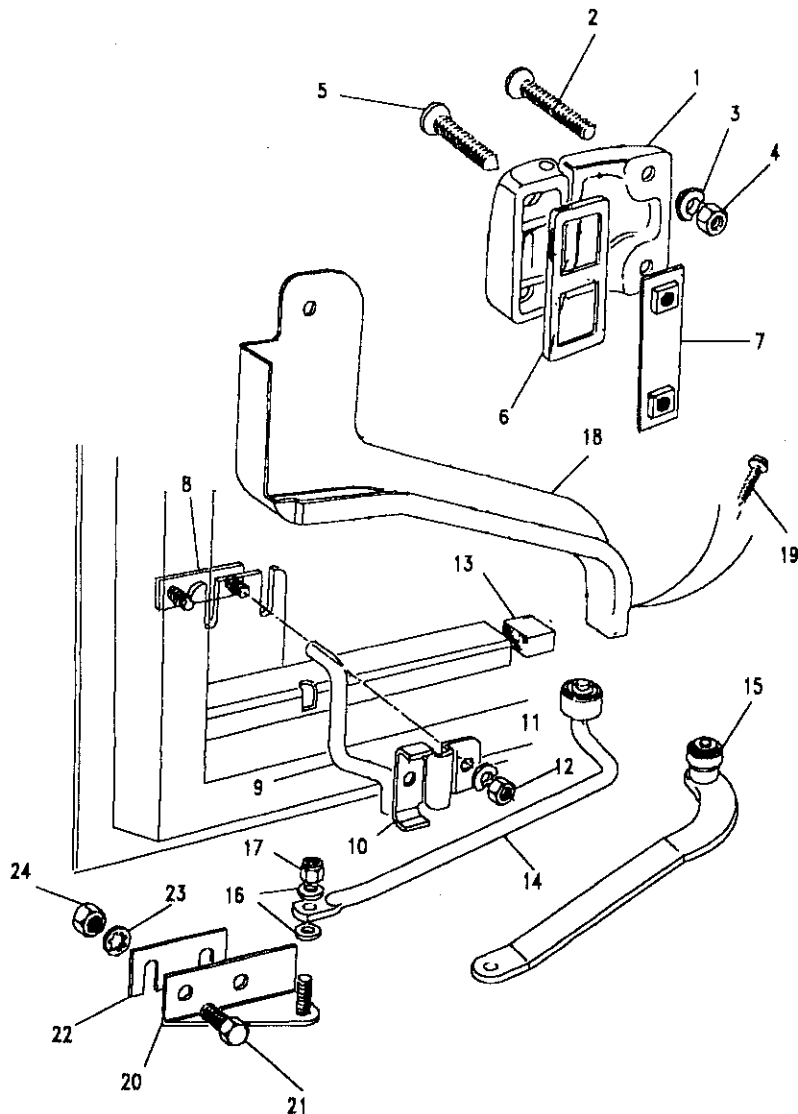




**Model** DEFENDER 110 1987 onwards  
**Page** AFNXG11A

**BODY - REAR SIDE DOOR CLINCHED ASSEMBLY**

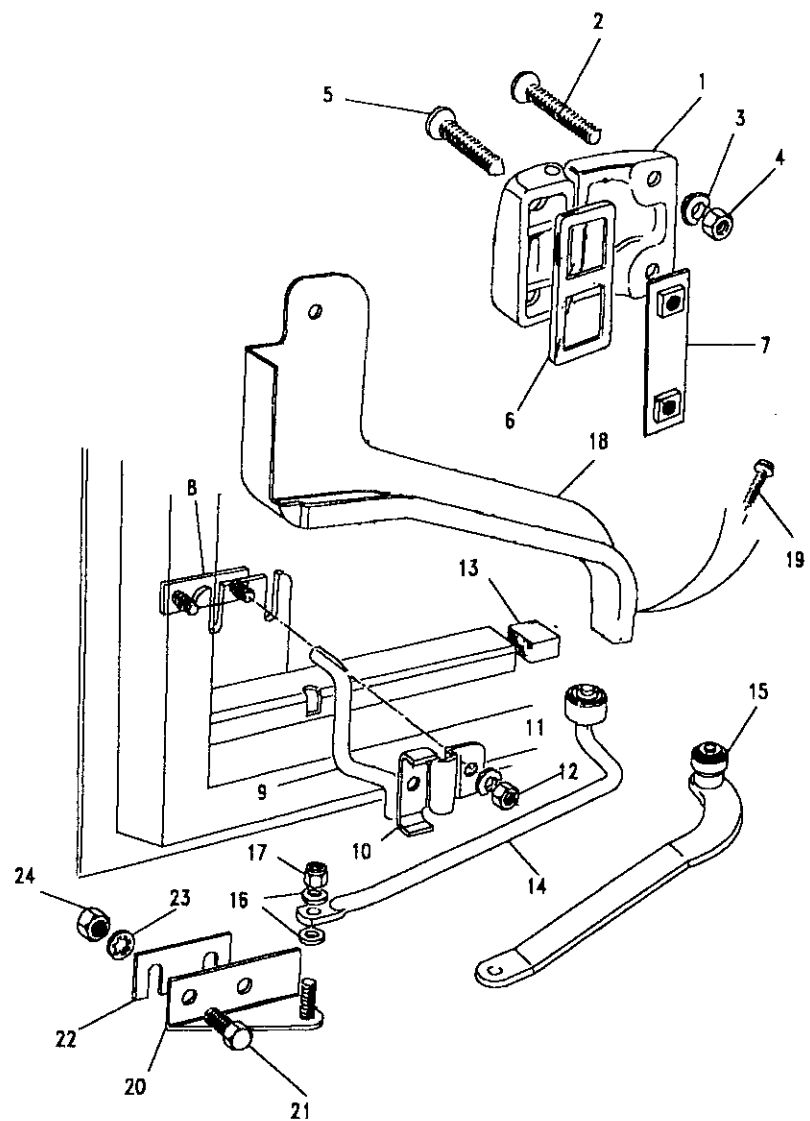
III. Part No.	Description	Qty	Remarks
1	MXC5194	1	)Up to
	MXC5195	1	)LA933876
	ALR6258	1	)From
	ALR6259	1	)LA933877
2	392743	2	
3	MWC3294	2	
4	MWC1602	1	)up to
	MWC1603	1	)in EA
	RTC6238	1	)From EA upto
	RTC6239	1	)LA932486
	ALR4543	1	)From
	ALR4542	1	)LA932487
5	FS106167L	10	
6	WA106041L	10	
7	201235	4	
8	MUC1651	4	
9	MTC8788	1	
	MTC8789	1	
10	MUC1322	1	
11	MUC1604	1	)Up to
	MUC1605	1	)LA937709
	ALR5982	1	)From
	ALR5981	1	)LA937710
12	MWC4412	1	
	MWC4413	1	



Model DEFENDER 110 1987 onwards  
 Page AFNXGI2A

**BODY - REAR SIDE DOOR - HINGES AND DOORCHECK**

III. Part No.	Description	Qty	Remarks
1	MXC8282 MXC8283	2 2	Hinge door RH Hinge door LH
<b>Fixings - Hinge to door</b>			
2	MRC2762	8	Screw
	MWC1899	8	Screw )Alternative
	MWC1898	4	Packing piece )fixings
3	MRC1980	8	Washer nylon
4	NH605041L	8	Nut
<b>Fixings - Hinge to body</b>			
5	AFU1036	8	Screw
	MXC1436	4	Screw (upper) )Alternative
	AFU1036	4	Screw (lower) )Fixings
6	347369	4	Washer seating
7	MUC9110	4	Nut plate
8	MUC1961	2	Bolt plate
9	ALR2318	1	Torsion bar RH
	MUC6159	1	Torsion Bar LH
	ALR2319	1	Torsion Bar LH
			Upto JA906550
			From JA906551



**Model** DEFENDER 110 1987 onwards

**Page** AFNXGI2A

**BODY - REAR SIDE DOOR - HINGES AND DOORCHECK**

Ill. Part No.	Description	Qty	Remarks
10	MUC6157	2	Note(1)
	MWC6450	2	Note(2)
11	WA106041L	4	
12	NH106041L	4	
13	306295	2	Note(1)
	MWC6291	2	Note(2)
<b>Rod type</b>			
14	MWC1838	1	)
	MWC1837	1	)Note(1)
<b>Plate type</b>			
15	MWC5742	1	)
	MWC5741	1	)Note(2)
16	AFU1262	4	
17	NY106041L	2	
18	MXC9586	1	
	MXC9587	1	
19	MUC3394	2	
20	MRC4753	1	
	MRC4754	1	
21	FS108251L	4	
22	305232	4	
23	WF108001L	4	
24	FN108041L	4	

Note(1) Up to DA314368  
 Note(2) From EA314369

Model DEFENDER 110 1987 onwards

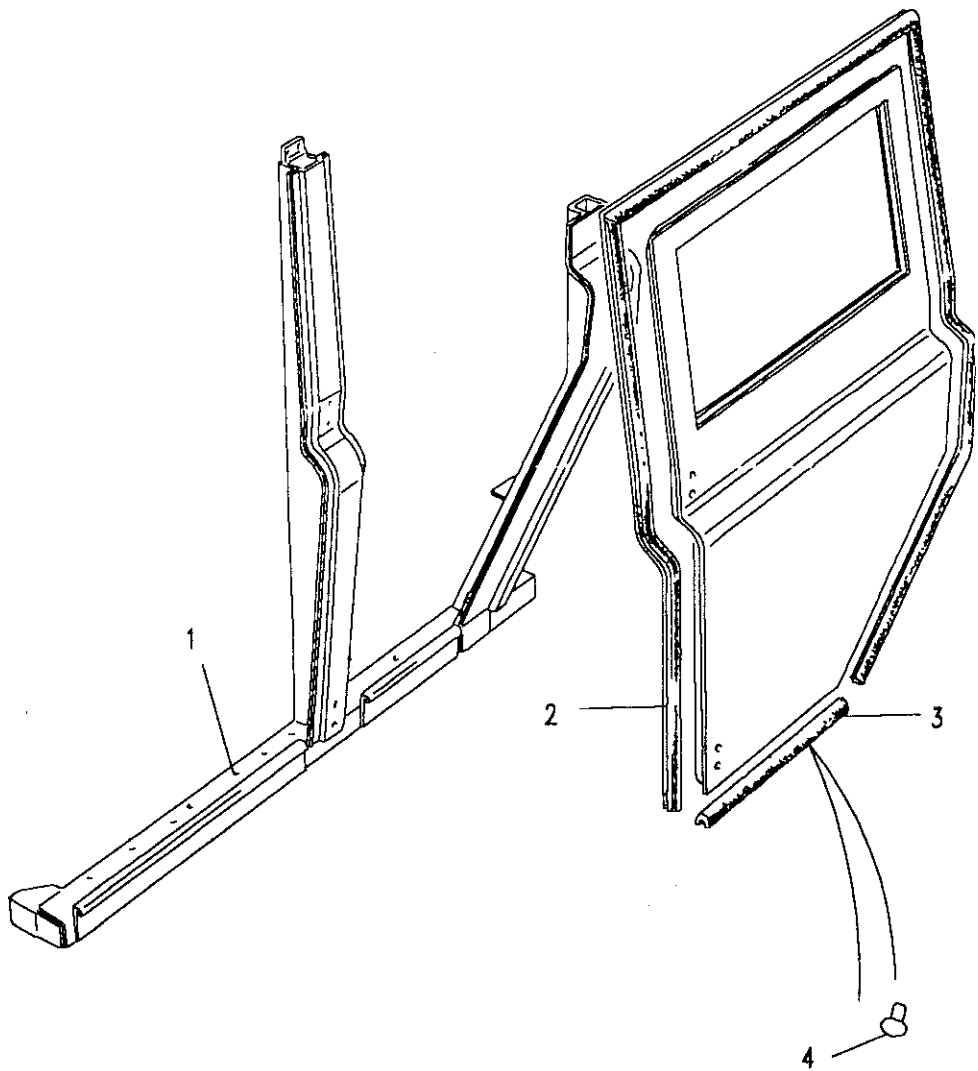
Page AFNXGK1A

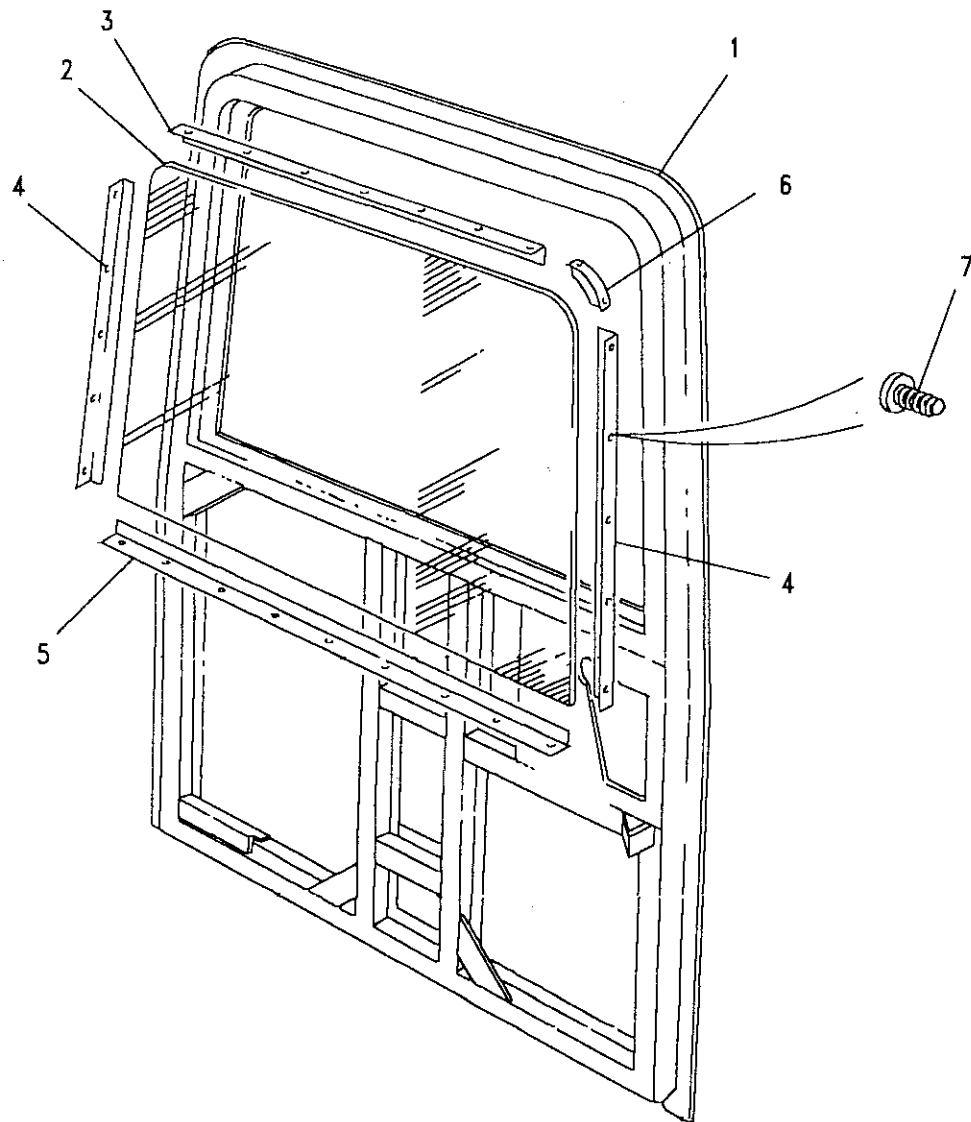
**BODY - REAR SIDE DOOR - FRAME AND SEALS**

III. Part No.	Description	Qty	Remarks
1 MWC3336	Frame side RH	1	Upto KA924784
ALR5308	Frame side RH	1	From KA924785
MWC3337	Frame side LH	1	Upto KA924784
ALR5309	Frame side LH	1	From KA924785
2 MWC1082	Seal rear side door RH	1	)Up to
MWC1083	Seal rear side door LH	1	)LA935726
ALR4938	Seal rear side door RH	1	)From
ALR4939	Seal rear side door LH	1	)LA935727
3 MWC6128	Seal sill RH	1	)Up to
MWC6129	Seal sill LH	1	)LA933876
ALR6251	Seal sill	2	From LA933877
4 RT612283	Rivet	8	

**Defender 130 - Crew Cab**

RRC6254	Frame side RH	1	Upto KA924784
ALR5312	Frame side RH	1	From KA924785
RRC6253	Frame side LH	1	Upto KA924784
ALR5313	Frame side LH	1	From KA924785





**Model** DEFENDER 110 1987 onwards  
**Page** AFNXGM1A

**BODY - REAR END DOOR**

Ill. Part No.	Description	Qty	Remarks
<b>With pierced panel (for spare wheel carrier)</b>			
1	RTC6266	1	Upto EA358790
	STC1423	1	From FA358791
			Upto KA929577
	STC1470	1	From KA929578
			Up to LA939975
	ALR6851	1	From MA939976
<b>With plain panel</b>			
1	STC1424	1	From EA358790
			Upto KA929577
	STC1471	1	From KA929578
			Up to LA939975
	ALR6852	1	From MA939976
<b>All variants</b>			
2	MTC3469	1	Glass clear
	MWC4712	1	Glass clear
	MTC3470	1	Glass sundym
	MTC8951	1	Glass sundym heated
	MWC4713	1	Glass sundym heated
	78159	A/R	Glazing strip

Note(1) 5mm glass - Upto VIN 342383 Hard Top,VIN 344754 Station Wagon  
 Note(2) 4mm glass - From VIN 342384 Hard Top,VIN 344755 Station Wagon



DEFENDER 110 1987 onwards

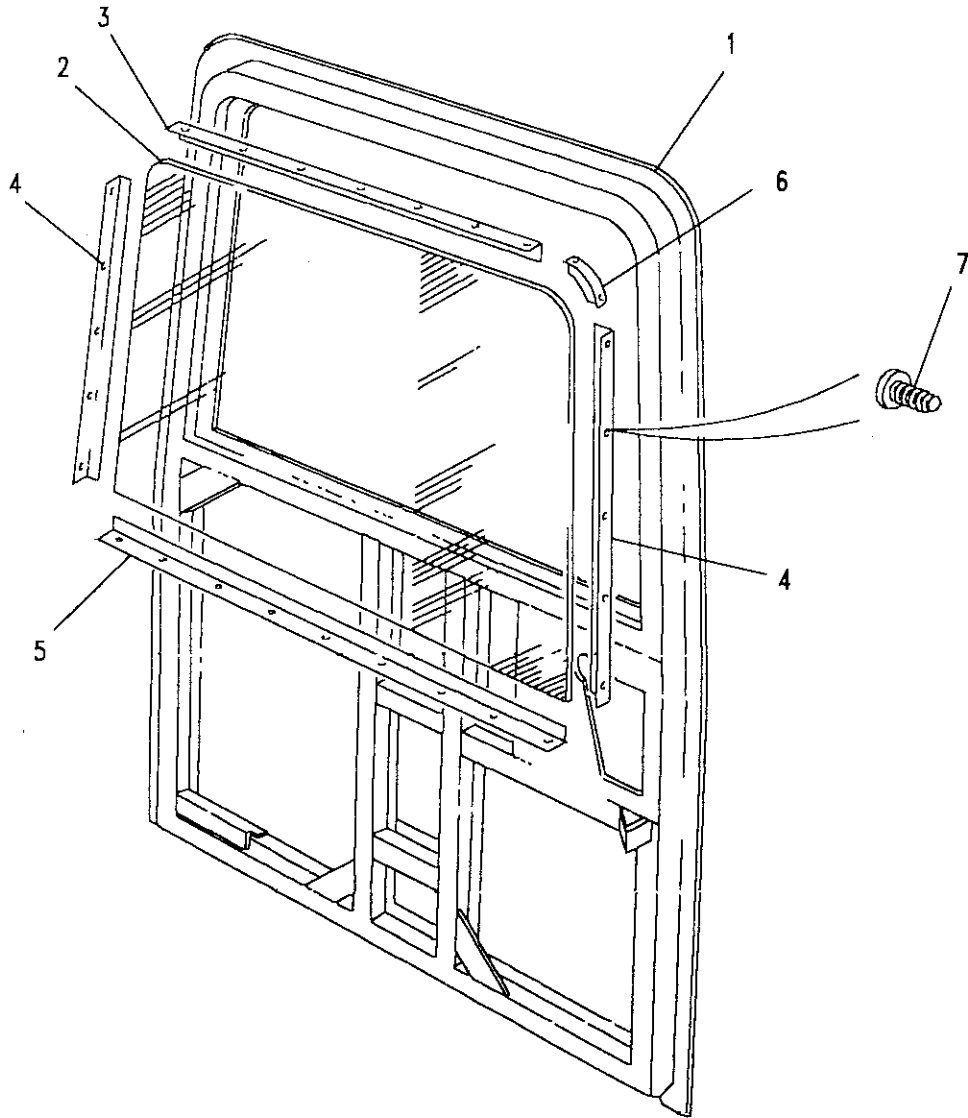
797

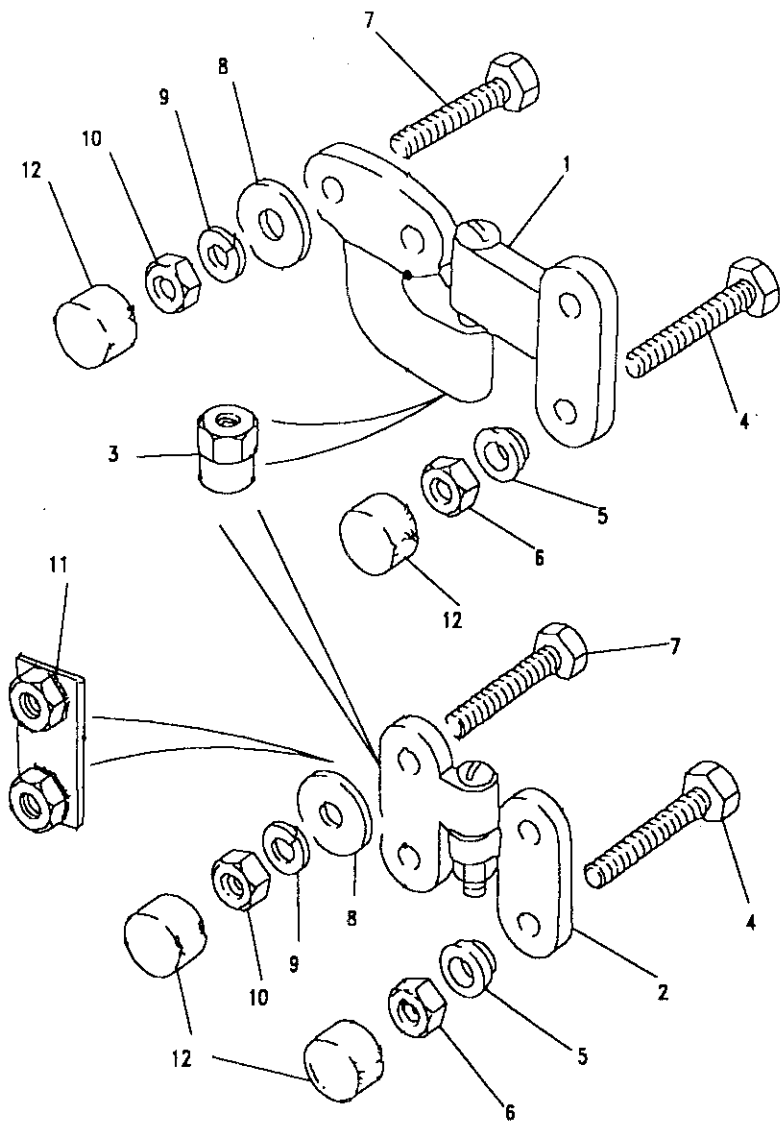
BODY AND CHASSIS

**Model** DEFENDER 110 1987 onwards  
**Page** AFNXGM1A

**BODY - REAR END DOOR**

III. Part No.	Description	Qty	Remarks
3 333034	Retainer top	1	
4 333033	Retainer side	2	
5 333032	Retainer bottom	1	
6 333035	Retainer corner	2	
7 AB606031L	Screw	30	





**Model** DEFENDER 110 1987 onwards  
**Page** AFNXGM2A

**BODY - REAR END DOOR**

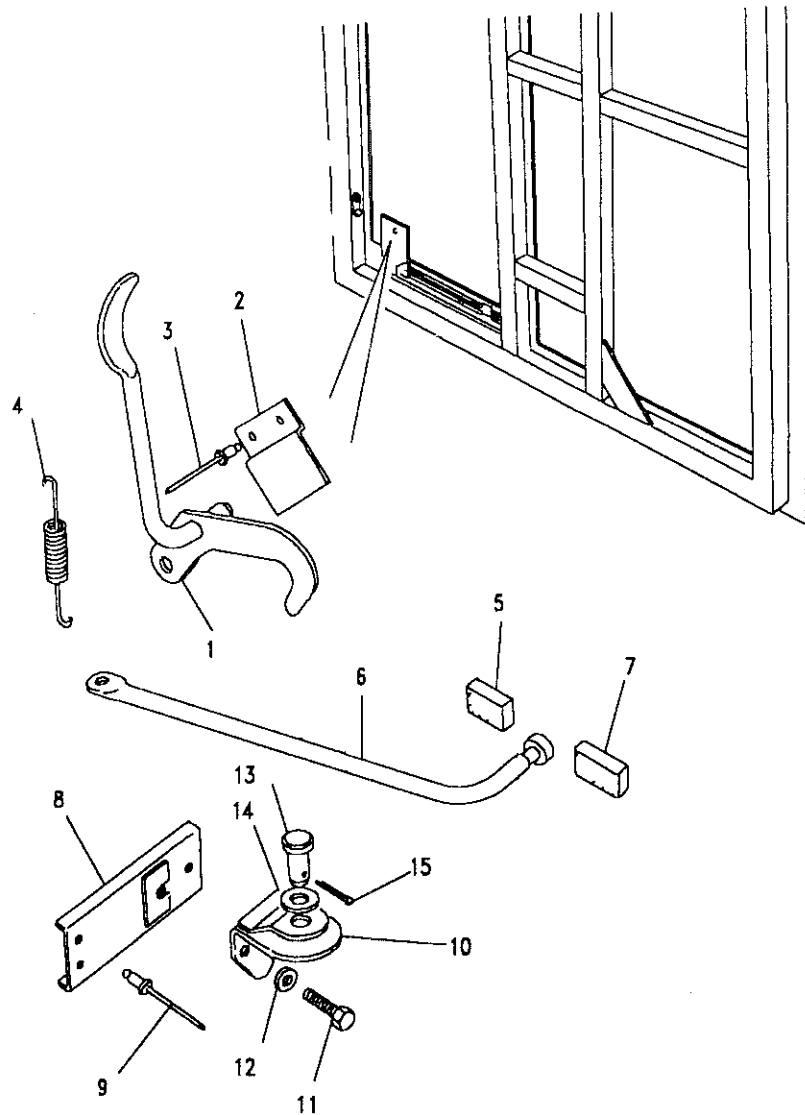
III. Part No.	Description	Qty	Remarks
1 333036	Hinge upper	1	
2 346341	Hinge centre	1	
3 346341	Hinge lower	1	
4 257450	Nut capped	3	
4 SE108501	Screw	6	Hinge to door
5 MRC1980	Washer nylon	6	
6 FN108041L	Nut	6	
7 SE108251	Screw	6	Hinge to body
8 WC108051L	Washer plain	6	
9 WL108001L	Washer spring	6	
10 FN108041L	Nut	4	
11 MTC1042	Nut plate	1	Centre hinge
<b>Germany</b>			
12 MTC6630	Cover nut	8	
MUC3798	Cover nut	2	



Model DEFENDER 110 1987 onwards  
 Page AFNXGM3A

**BODY - REAR END DOOR CHECK MECHANISM**

III. Part No.	Description	Qty	Remarks
<b>Upto FA358797 (Reg) FA358790 (S/W)</b>			
1	MUC4474	1	Lever release
2	MUC4486	1	Retainer
3	RA608177L	2	Rivet
4	MUC4481	1	Spring
5	MUC4545	1	Buffer rubber
6	MUC4471	1	Checklink
7	MUC4544	1	Buffer rubber
8	MUC4477	1	Bracket mounting
9	78248	2	Rivet
10	346878	1	Bracket retaining
11	FS106201L	2	Flange screw
12	WL106001L	2	Washer spring
13	306564	1	Pin clevis
14	349931	1	Washer plain
15	2393	1	Pin split





Model DEFENDER 110 1987 onwards

Page AFNXGM4A

**BODY - REAR END DOOR CHECK MECHANISM**

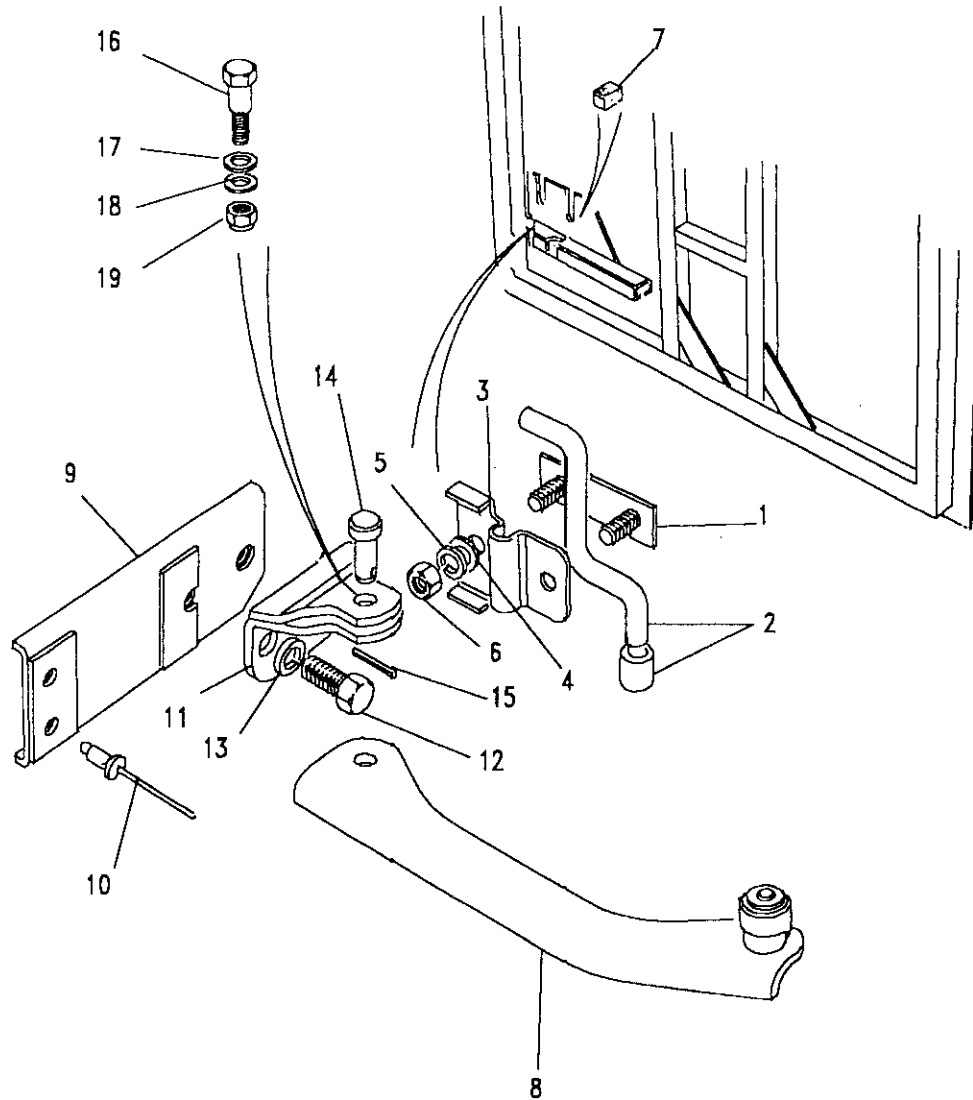
III. Part No. Description Qty Remarks

From FA358798 (Reg) FA358791 (S/W)

1	MUC1961	Stud plate	1
2	MXC1790	Torsion bar and collar	1
3	MWC6450	Bracket pivot	1
4	AFU1080	Washer plain	2
5	WL106001L	Washer spring	2
6	NH106041L	Nut	2
7	MWC5759	Buffer rubber	1
8	MXC5575	Checklink	1
9	MXC2044	Bracket mounting	1
10	78248	Rivet	2
11	MXC2047	Bracket pivot	1
12	FS108251L	Screw	2
13	WL108001L	Washer spring	2
14	306564	Pin clevis	1
15	2393	Pin split	1

**Fixings for MXC5575**

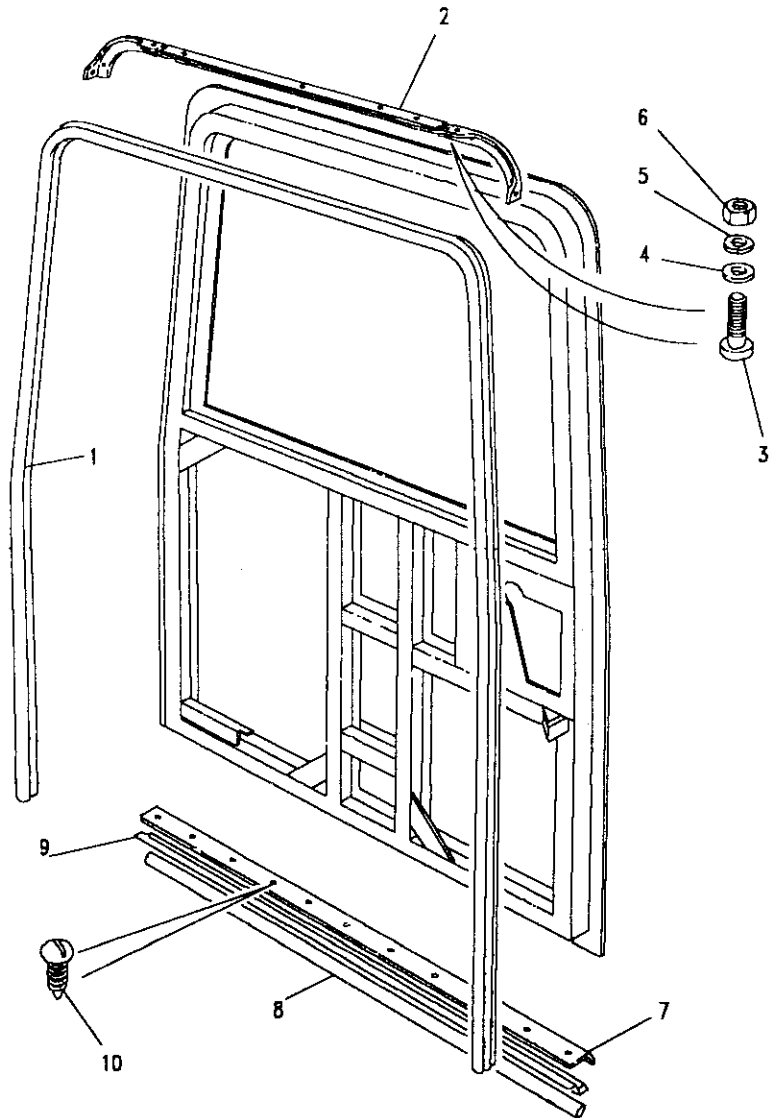
16	MXC5549	Bolt shouldered	1
17	WA108051L	Washer plain	1
18	WA106041L	Washer plain	1
19	NY106041L	Nut	1





Model DEFENDER 110 1987 onwards  
Page AFNXGM5A

**BODY - SEALS - REAR END DOOR**

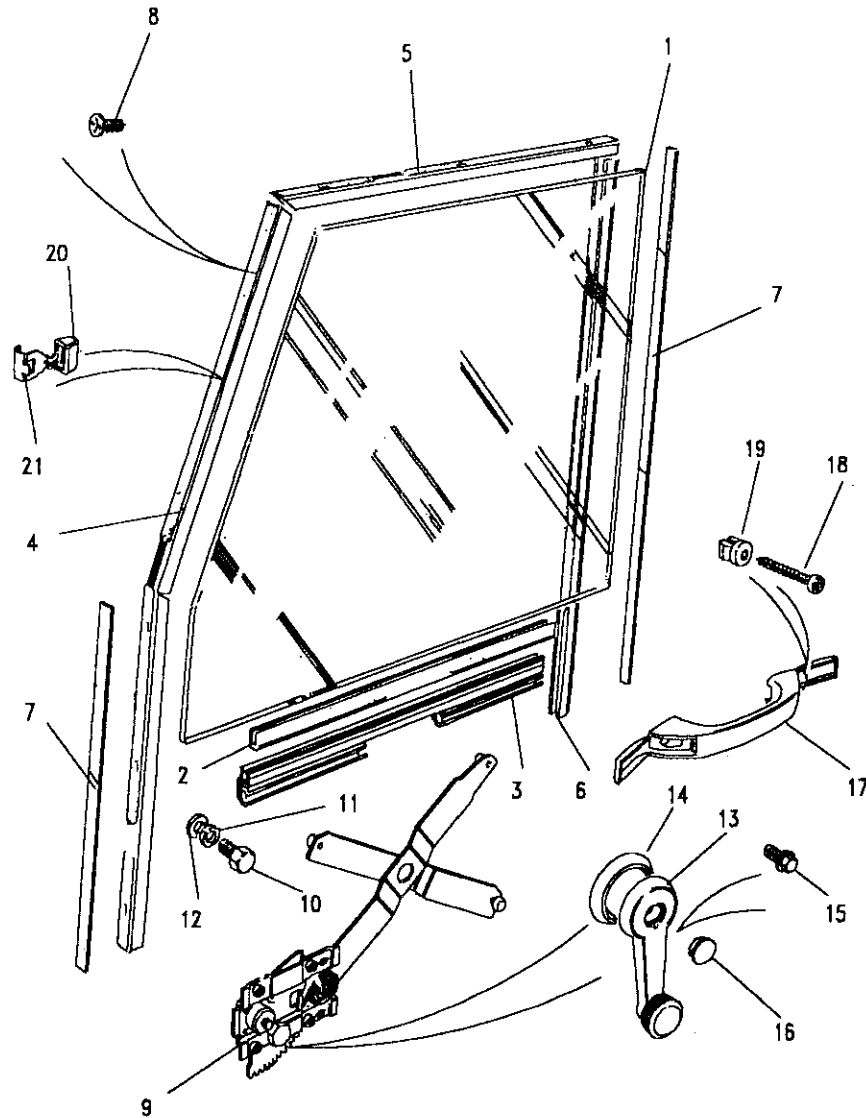


III. Part No.	Description	Qty	Remarks
1 MTC4111	Seal rear end door	1	Up to LA935726
ALR4929	Seal rear end door	1	From LA935727
2 MTC4290	Retainer seal	1	
3 SE105161	Screw	9	
4 AFU1256	Washer plain	9	
5 WL105001	Washer spring	9	
6 NH105041	Nut	9	
RU612373L	Rivet	9	)Alternative
AFU1256	Washer plain	9	)Fixings
7 333203	Protector	1	Upto KA922939
8 ALR4770	Seal	1	
9 ALR4769	Retainer seal	1	
10 AB606057	Screw	7	



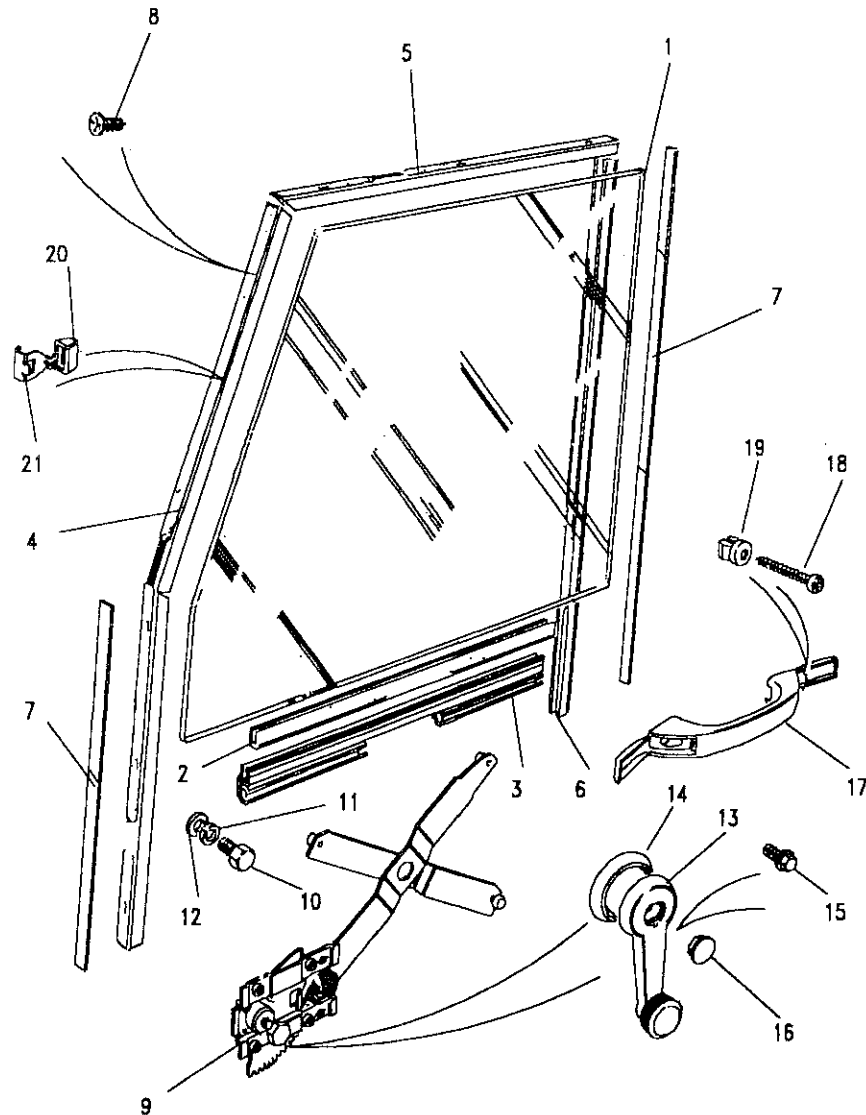
**Model** DEFENDER 110 1987 onwards  
**Page** AFNXHA1A

**BODY - FRONT DOOR - GLASS & WINDOW REGULATOR**



III. Part No.	Description	Qty	Remarks
1	MTC7825	2	Glass clear Note(1)
	MTC7826	2	Glass tinted Note(1)
	MWC4720	2	Glass clear Note(2 & 3)
	ALR4773	1	Glass clear RH )
	ALR4771	1	Glass clear LH )Note(4)
	MWC4721	2	Glass tinted Note(2 & 3)
	ALR4774	1	Glass tinted RH )
	ALR4772	1	Glass tinted LH )Note(4)
2	MUC1713	2	Glazing rubber lift chnrl Note(1)
	MWC4763	2	Glazing rubber lift chnrl Note(2)
3	MTC8477	2	Channel window lift
4	MUC4071	2	Channel vertical front Note(1)
	MXC5829	2	Channel vertical front Note(2)
5	MTC8468	2	Channel top Note(1)
	MXC5832	2	Channel top Note(2)
6	MUC4072	2	Channel vertical rear Note(1)
	MXC5836	2	Channel vertical rear Note(2)
7	MUC4073	A/R	Shim channel adjustment
8	AC606031L	22	Screw
	AC606041L	4	Screw

Note(1) 5mm Glass - Upto 342383 Regular, 344754 Station Wagon  
 Note(2) 4mm Glass - From 342384 Regular, 344755 Station Wagon  
 Note(3) Up to LA932486  
 Note(4) From LA932487



**Model** DEFENDER 110 1987 onwards  
**Page** AFNXHA1A

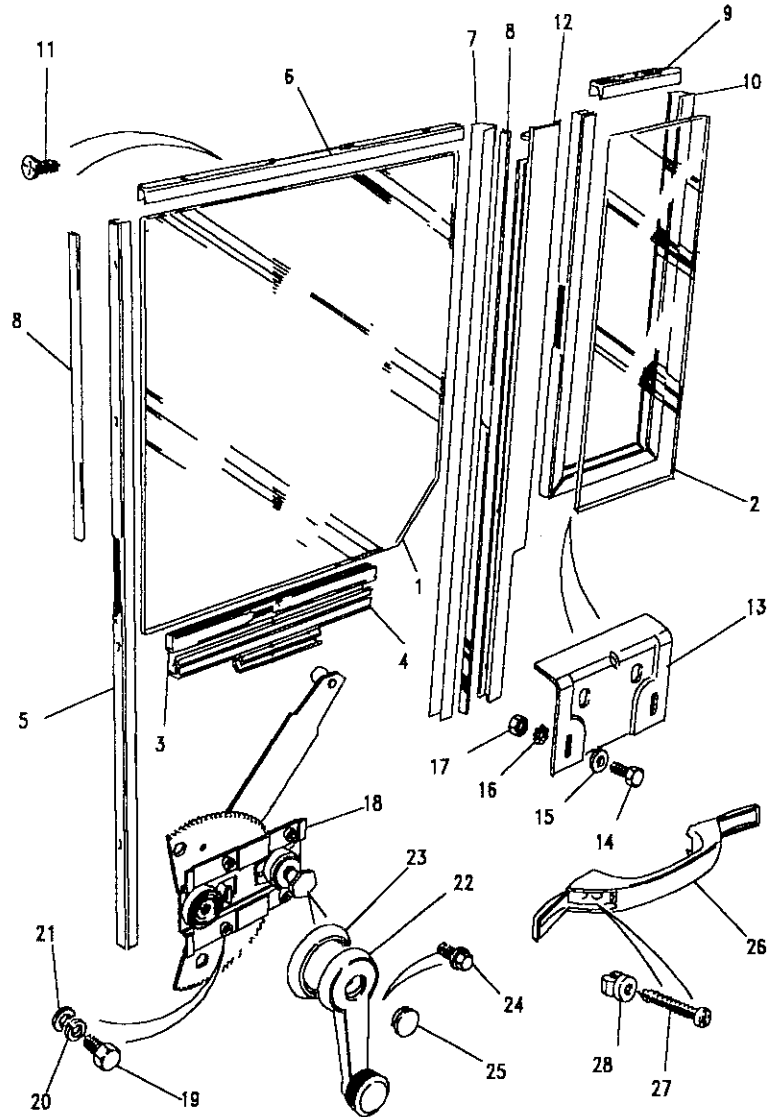
**BODY - FRONT DOOR - GLASS & WINDOW REGULATOR**

III. Part No.	Description	Qty	Remarks
9	MUC3024	1	Regulator RH Note(3)
	ALR4533	1	Regulator RH Note(4)
	STC1460	1	Kit conversion RH Note(5)
	MUC3025	1	Regulator LH Note(3)
	ALR4532	1	Regulator LH Note(4)
	STC1461	1	Kit conversion LH Note(5)
10	SH106101L	8	Screw
11	WL106001L	12	Washer spring
12	WA106041L	12	Washer plain
	NH106041L	4	Nut Note(4)
13	RTC3939PA	2	Handle window regulator Note(3)
	DBP6287PMA	2	Handle window regulator Note(4)
	BNP4556	2	Clip retaining
	ALR5821	2	Adaptor Note(4)
14	JPC9023PMA	2	Escutcheon Note(3)
	BTR6620PMA	2	Escutcheon regulator Note(4)
15	ADU5727L	2	Screw )
16	RTC3940PA	2	Cover handle )Note(3)
17	YGA451L	2	Door pull
18	AB610081L	4	Screw
19	RTC3748	4	Nut lokut
20	MWC4370	2	Clip window guide From 305617
21	MWC4371	2	Clip retaining From 305617
	ALR6219	4	Clip window guide Note(4)

Note(1) 5mm Glass - Upto 342383 Regular, 344754 Station Wagon  
 Note(2) 4mm Glass - From 342384 Regular, 344755 Station Wagon  
 Note(3) Up to LA932486  
 Note(4) From LA932487  
 Note(5) Contains all parts needed to convert to later type regulators

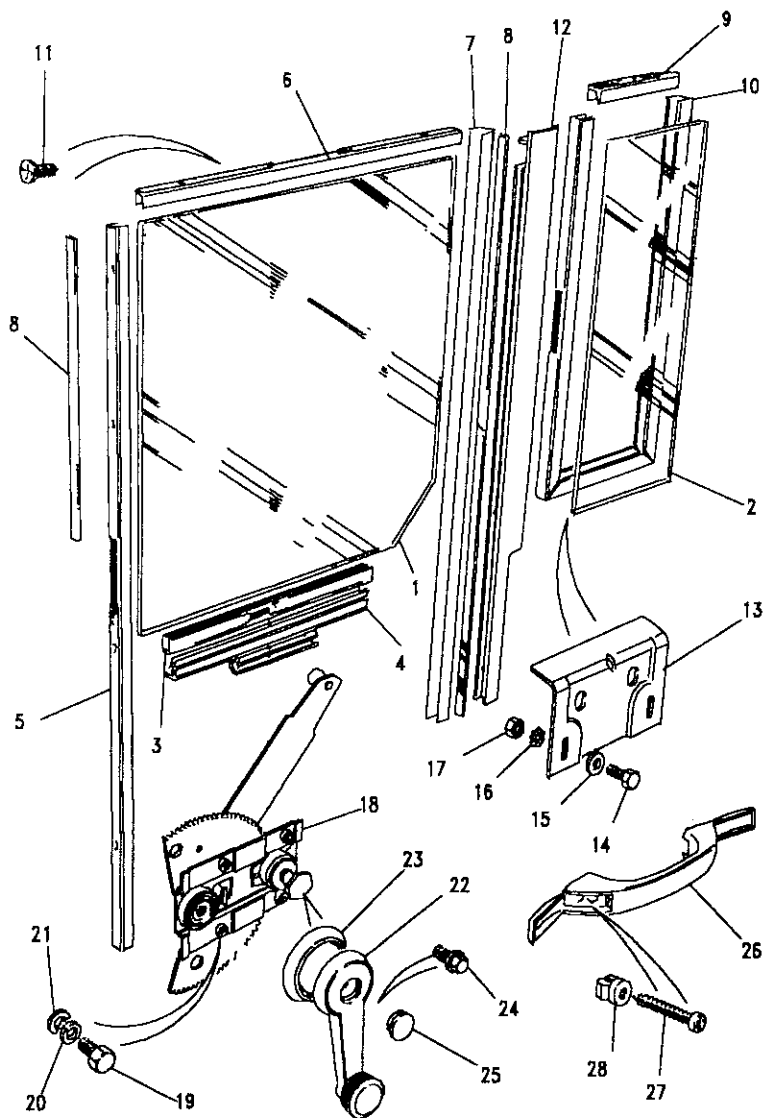
**Model** DEFENDER 110 1987 onwards  
**Page** AFNXHC1A

**BODY - REAR SIDE DOOR - GLASS & REGULATOR**



III. Part No.	Description	Qty	Remarks
1 MTC7828	Glass Clear	2	Note(1)
MTC7829	Glass Tinted	2	Note(1)
MWC4722	Glass Clear	2	Note(2 & 3)
ALR4777	Glass Clear RH	1	)
ALR4775	Glass Clear LH	1	)Note(4)
MWC4723	Glass Tinted	2	Note(2 & 3)
ALR4778	Glass Tinted RH	1	)
ALR4776	Glass Tinted LH	1	)Note(4)
2 MTC8460	Glass rear quarter clear	2	Note(1)
MTC8461	Glass rear quarter tinted	2	Note(1)
MWC4724	Glass rear quarter clear	2	Note(2)
MWC4725	Glass rear quarter tinted	2	Note(2)
3 MUC1714	Glazing rubber lift chnnl	2	Note(1)
MWC4764	Glazing rubber lift chnnl	2	Note(2)
4 MTC8478	Channel window lift	2	
5 MUC4072	Channel vertical front	2	Note(1)
MXC5837	Channel vertical front	2	Note(2)
6 MTC8471	Channel top	2	Note(1)
MXC5833	Channel top	2	Note(2)
7 MTC8472	Channel vertical rear	2	Note(1)
MXC5834	Channel vertical rear	2	Note(2)
8 MUC4073	Shim channel adjustment	A/R	

Note(1) 5mm glass - Upto 344754  
 Note(2) 4mm glass - From 344755  
 Note(3) Up to LA932486  
 Note(4) From LA932487



Model DEFENDER 110 1987 onwards

Page AFNXHC1A

**BODY - REAR SIDE DOOR - GLASS & REGULATOR**

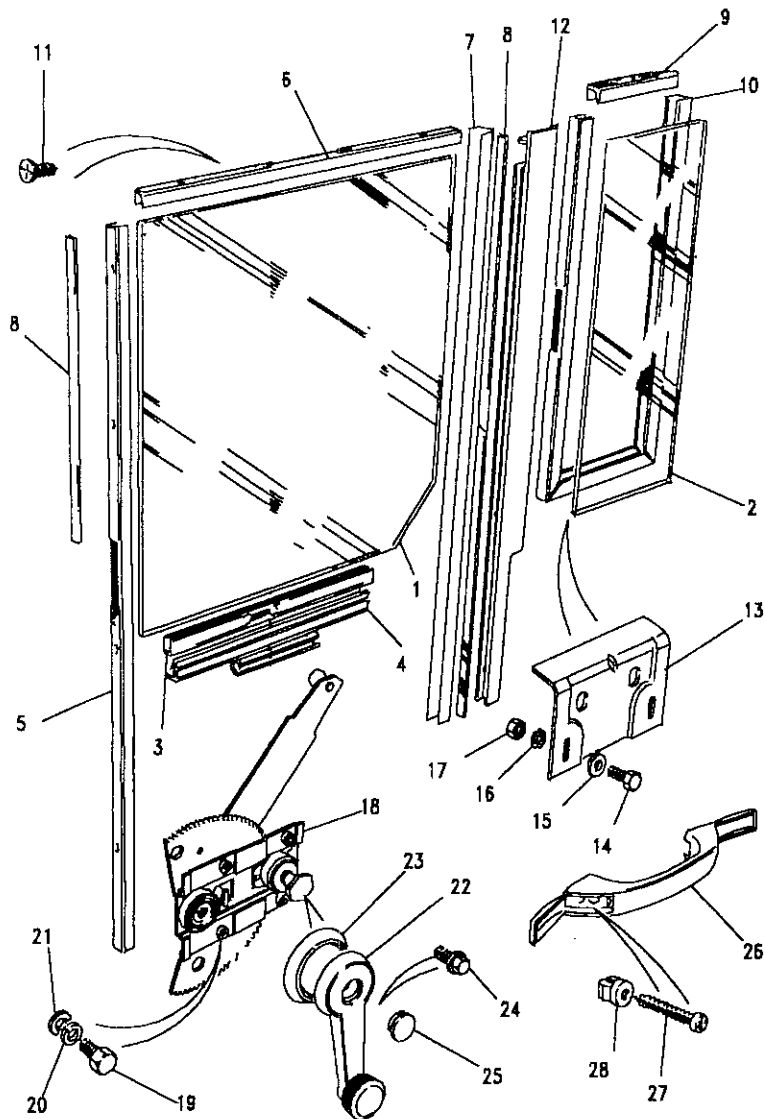
III. Part No.	Description	Qty	Remarks
9	MTC8790	2	Note(1)
	MXC5835	2	Note(2)
10	MTC8791	2	Note(1)
	MXC5830	2	Note(2)
11	AC606031L	2	
	AC606041L	16	
12	MUC3492	2	
	MUC3493	1	
13	MWC1627	1	
14	SH104101L	2	
15	WA104001L	4	
16	WE104001L	4	
17	NH104041L	4	

Note(1) 5mm glass - Upto 344754

Note(2) 4mm glass - From 344755

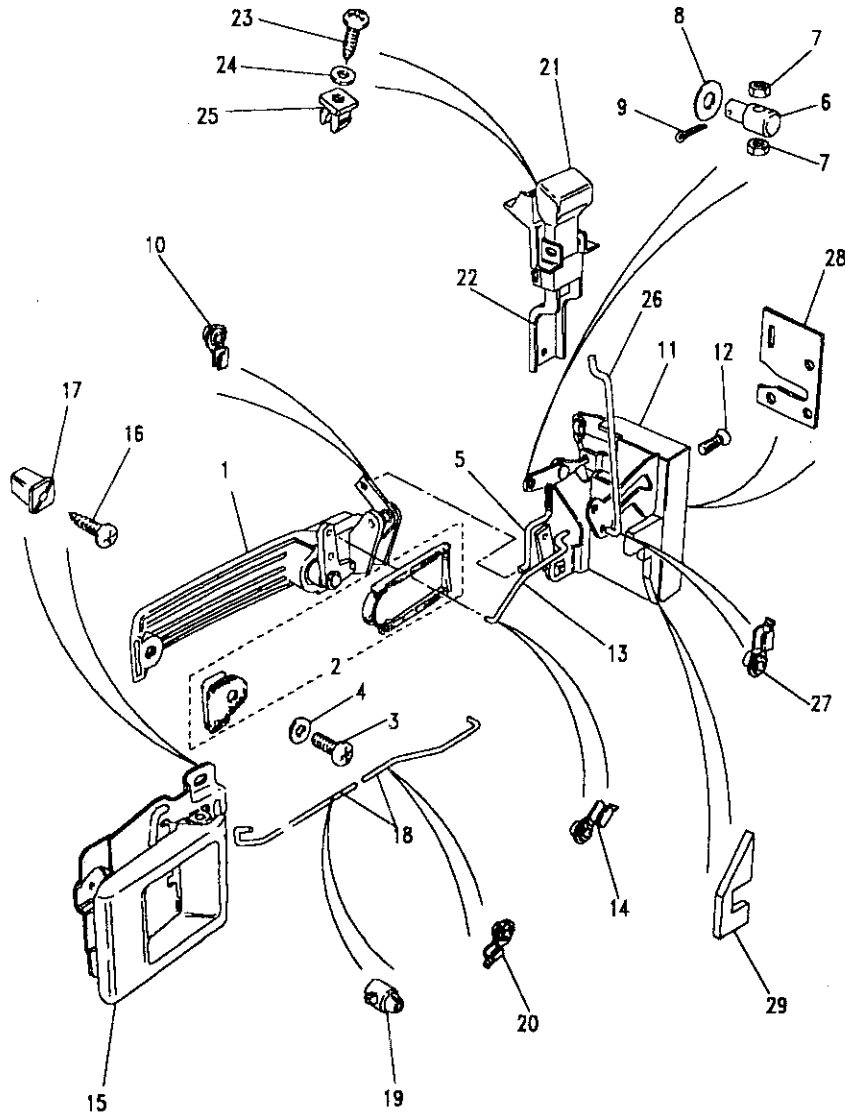
Model DEFENDER 110 1987 onwards  
 Page AFNXHC1A

**BODY - REAR SIDE DOOR - GLASS & REGULATOR**



Ill. Part No.	Description	Qty	Remarks
18	MUC3026	1	Regulator rear RH
	ALR4535	1	Regulator rear RH
	STC1462	1	Kit conversionRH
	MUC3027	1	Regulator rear LH
	ALR4534	1	Regulator rear LH
	STC1463	1	Kit conversion LH
19	SH106101L	8	Screw
20	WL106001L	8	Washer spring
21	WA106041L	8	Washer plain
22	RTC3939PA	2	Handle window regulator
	DBP6287PMA	2	Handle window regulator
	ALR5821	2	Adaptor
23	RTC3935PA	2	Escutcheon
	BTR6620PMA	2	Escutcheon regulator
	BNP4556	2	Clip retaining
24	ADU5727L	2	Screw powerlok
25	RTC3940PA	2	Cover handle
26	YGA451L	2	Door pull
27	AB610081L	4	Screw
28	RTC3748	4	Nut lokut

Note(1) Upto LA932486  
 Note(2) From LA932487  
 Note(3) Contains all parts needed to convert to new type regulators



**Model** DEFENDER 110 1987 onwards  
**Page** AFNXHE1A

**BODY - FRONT DOOR - LOCK MECHANISM**

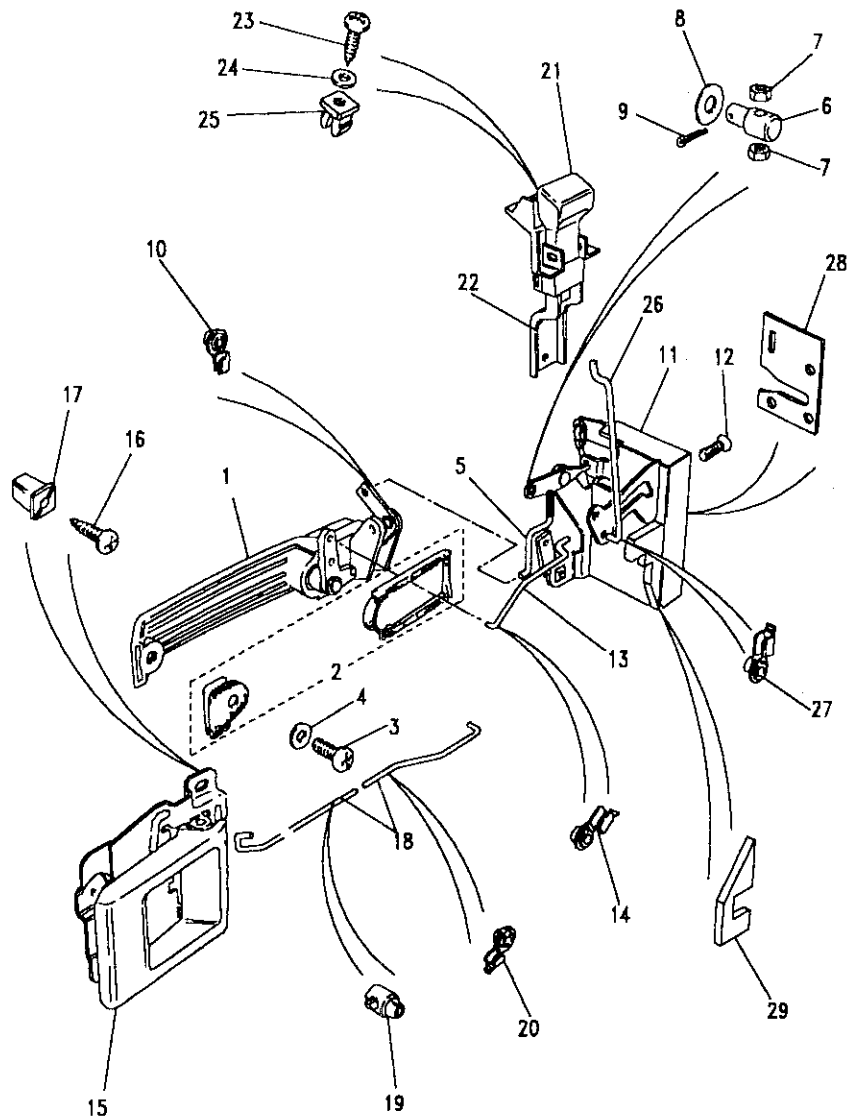
III. Part No.	Description	Qty	Remarks
1	MXC7652 MXC7651	1 1	Handle door outer RH Handle door outer LH Barrel lock and keys Key blank Note(1) Note(1)
2	STC617	2	Kit gasket handle
3	SE105101L	4	Screw
4	WA105001L WC105001L	4 4	Washer plain Washer plain
5	MWC4846 MWC4847	1 1	Link RH Link LH
6	MWC4850 ALR4065	2 2	Adjuster Adjuster threaded
7	NH104041L	4	Nut
8	MRC5525	2	Washer plain
9	PS603041L PS103101L	2 3	Pin split Pin split
10	634604 BRC1393	4 4	Clip linkage Clip linkage
11	MWC1476 MWC1477	1 1	Latch door RH Latch door LH
12	SF106161L	6	Screw

Note(1) Refer to Barrel & Key Sets on page 815

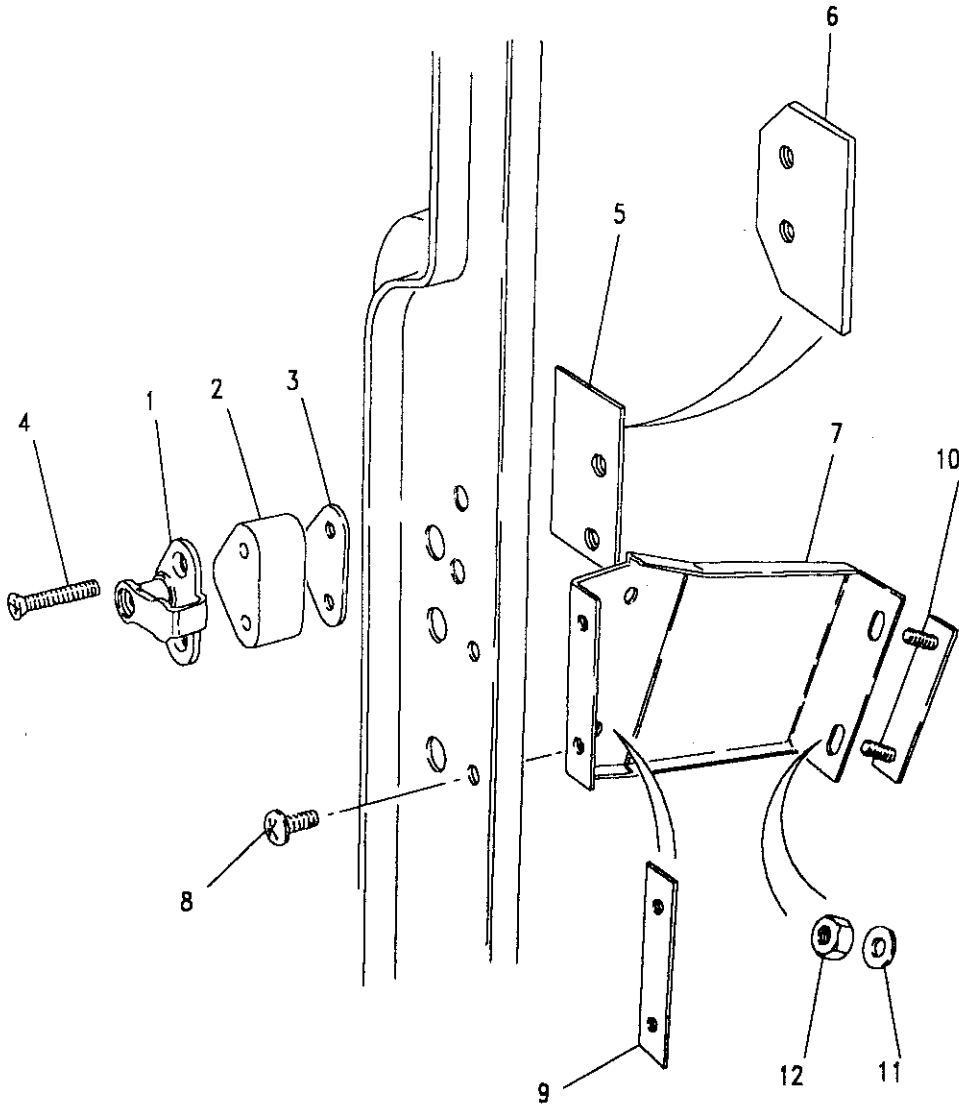


Model DEFENDER 110 1987 onwards  
 Page AFNXHE1A

**BODY - FRONT DOOR - LOCK MECHANISM**



III. Part No.	Description	Qty	Remarks
13	MWC1480	1	External lock
	MWC1481	1	External lock
14	634604	2	Upto HA904361
	BRC1393	2	From HA904362
15	DBP5840PMA	1	Handle door inner rh
	DBP5841PMA	1	Handle door inner LH
16	MUC3394	4	Screw sems
17	MWC1950	4	Nut lokut
18	MWC1486	1	Inner handle
	MWC1487	1	Inner handle
19	CRC1250L	2	Clip support
20	BFP1265L	2	Clip linkage
21	JRC1775PMA	2	Button sill
22	BRC8965PMA	2	Housing
23	AB606041L	4	Screw
24	WA104001L	4	Washer plain
25	MWC1950	4	Nut lokut
26	MWC1484	2	Link sill button
	ALR6224	2	From LA936069
27	BFP1265L	2	Clip linkage
28	MXC8222	1	Gasket door lockface RH
	MXC8223	1	Gasket door lockface LH
29	MXC8224	1	Seal lock aperture RH
	MXC8225	1	Seal lock aperture LH



**Model** DEFENDER 110 1987 onwards  
**Page** AFNXHE2A

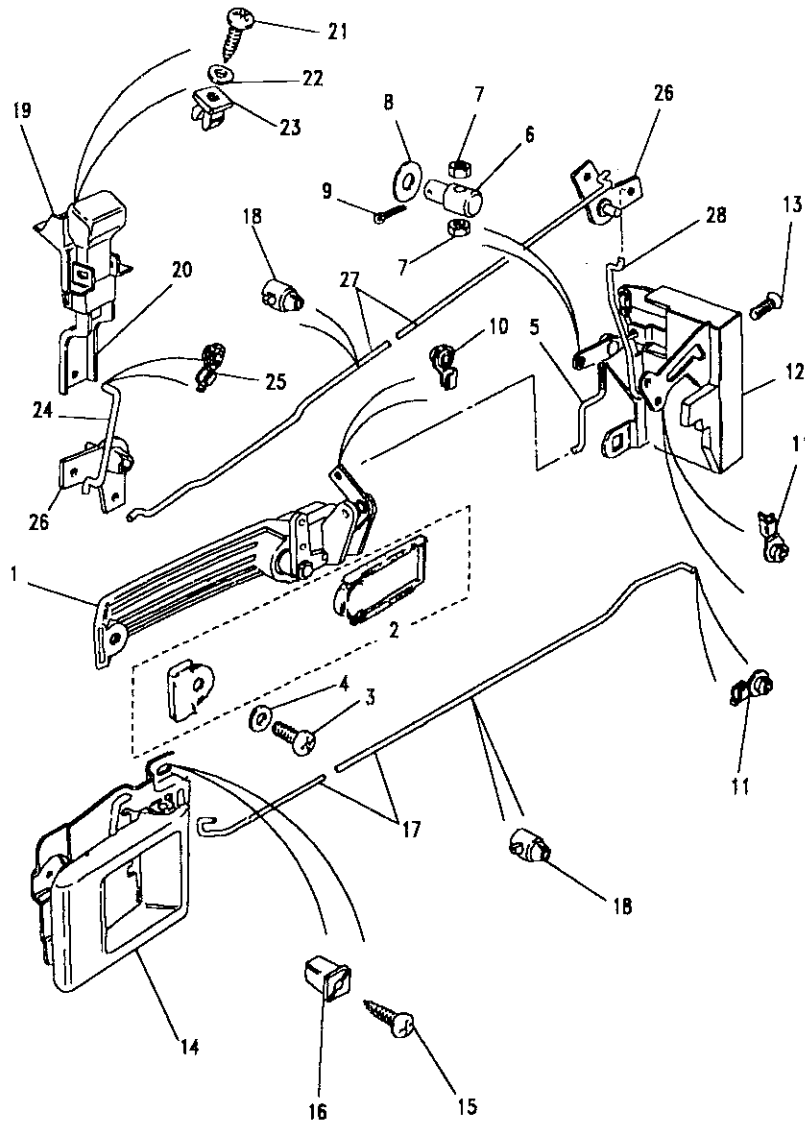
**BODY - FRONT DOOR - LOCK MECHANISM**

III. Part No.	Description	Qty	Remarks
1	MUC8526 Striker lock	2	
2	MUC7809 Spacer	2	
3	MWC3148 Packing piece	A/R	
4	SF106401 Screw	4	Upto HA481996
	MXC9689 Screw torx M6x40	4	From HA481997
5	MWC1812 Reinforcement RH	1	Note(1)
	MWC1813 Plate reinforcing	1	Note(1)
6	MWC1622 Nut plate	2	Note(2)
7	MWC1736 Bracket support RH	1	Note(1)
	MWC1737 Bracket support LH	1	Note(1)
8	SE106161L Screw	4	Note(1)
9	MRC9431 Nut plate	2	Note(1)
10	MUC1049 Stud plate	2	Note(1)
11	WA106041L Washer plain	4	Note(1)
12	NH106041L Nut	4	Note(1)

Note(1) Chassis Cab vehicles  
 Note(2) Station Wagon vehicles

Model DEFENDER 110 1987 onwards  
 Page AFNXHG1A

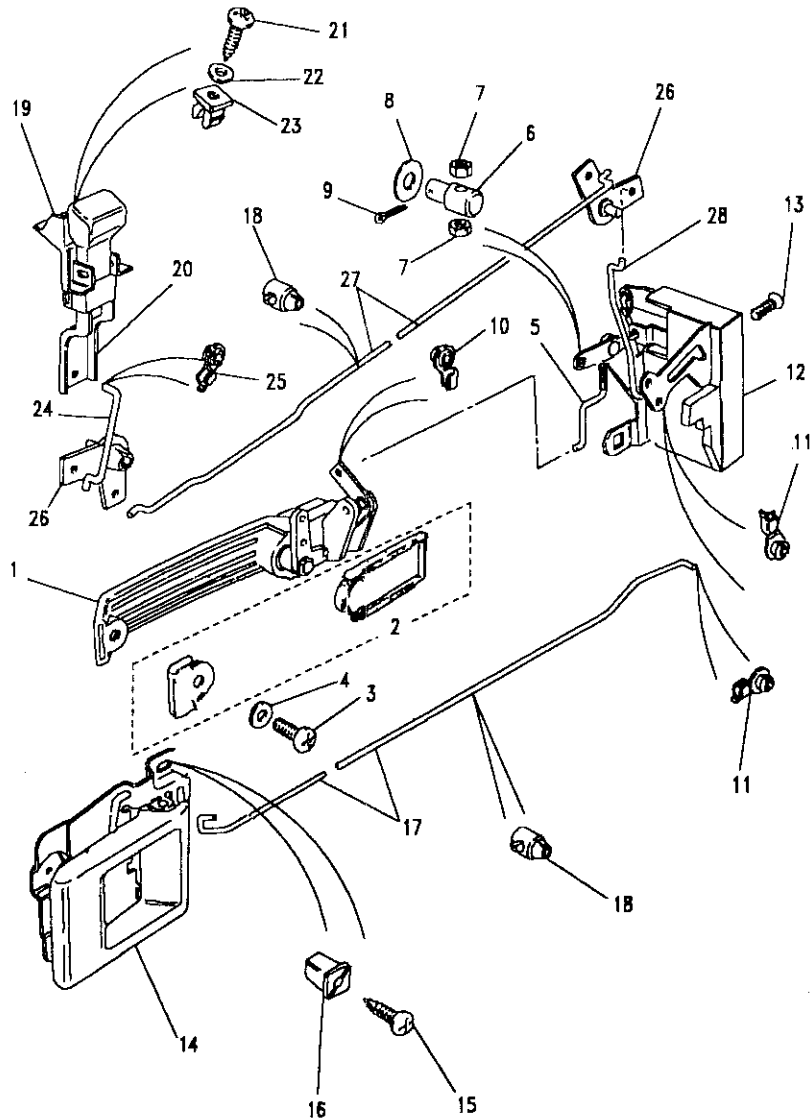
**BODY - REAR SIDE DOOR - LOCK MECHANISM**



III. Part No.	Description	Qty	Remarks
1	MXC2728	1	Handle door outer RH
	MXC2729	1	Handle assembly
2	STC617	2	Gasket handle kit
3	SE105101L	4	Screw
4	WA105001L	4	Washer plain
5	MWC5002	1	Link RH
	MWC5001	1	Link LH
6	MWC4850	2	Adjuster
	ALR4065	2	Adjuster threaded
7	NH104041L	4	Nut
8	MRC5525	2	Washer plain
9	PS603041L	2	Pin split
	PS103101L	2	Pin split
10	634604	4	Clip linkage
	BRC1393	4	Clip linkage
11	BFP1265L	4	Clip linkage
12	MWC1488	1	Latch door RH
	MWC1489	1	Latch door
13	SF106161L	6	Screw

**Model** DEFENDER 110 1987 onwards  
**Page** AFNXHG1A

**BODY - REAR SIDE DOOR - LOCK MECHANISM**

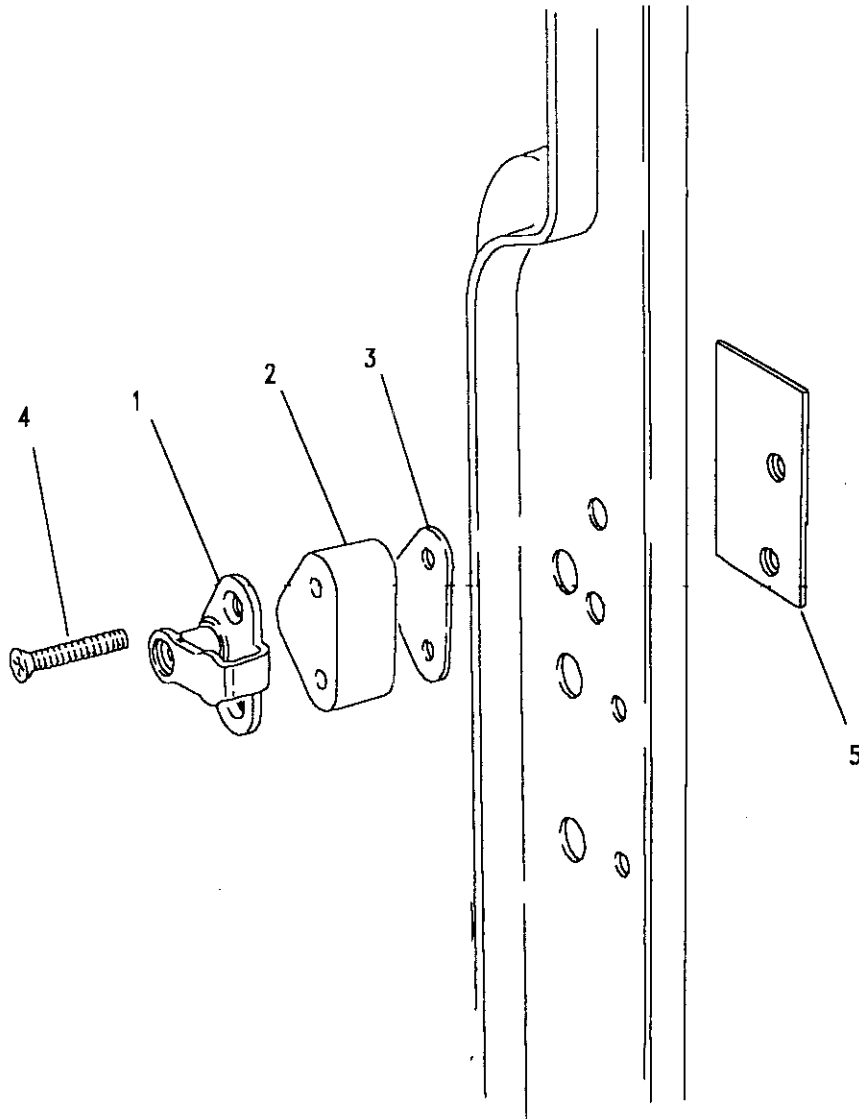


III. Part No.	Description	Qty	Remarks
14	DBP5840PMA	1	Handle door inner rh
	DBP5841PMA	1	Handle door inner LH
15	MUC3394	4	Screw serns
16	MWC1950	4	Nut lokut
17	MWC1492	1	Link RH
	MWC1493	1	Link LH
18	CRC1250L	4	Clip support
19	JRC1775PMA	2	Button sill
20	BRC8965PMA	2	Housing
21	AB606041L	4	Screw
22	WA104001L	4	Washer plain
23	MWC1950	4	Nut lokut
24	MUC8364	2	Link sill button
25	634604	2	Clip linkage
	BRC1393	2	Clip linkage
26	DZA1435L	4	Lever
27	MUC8365	2	Link intermediate
28	MWC1485	2	Link door latch

**Model** DEFENDER 110 1987 onwards  
**Page** AFNXHG2A

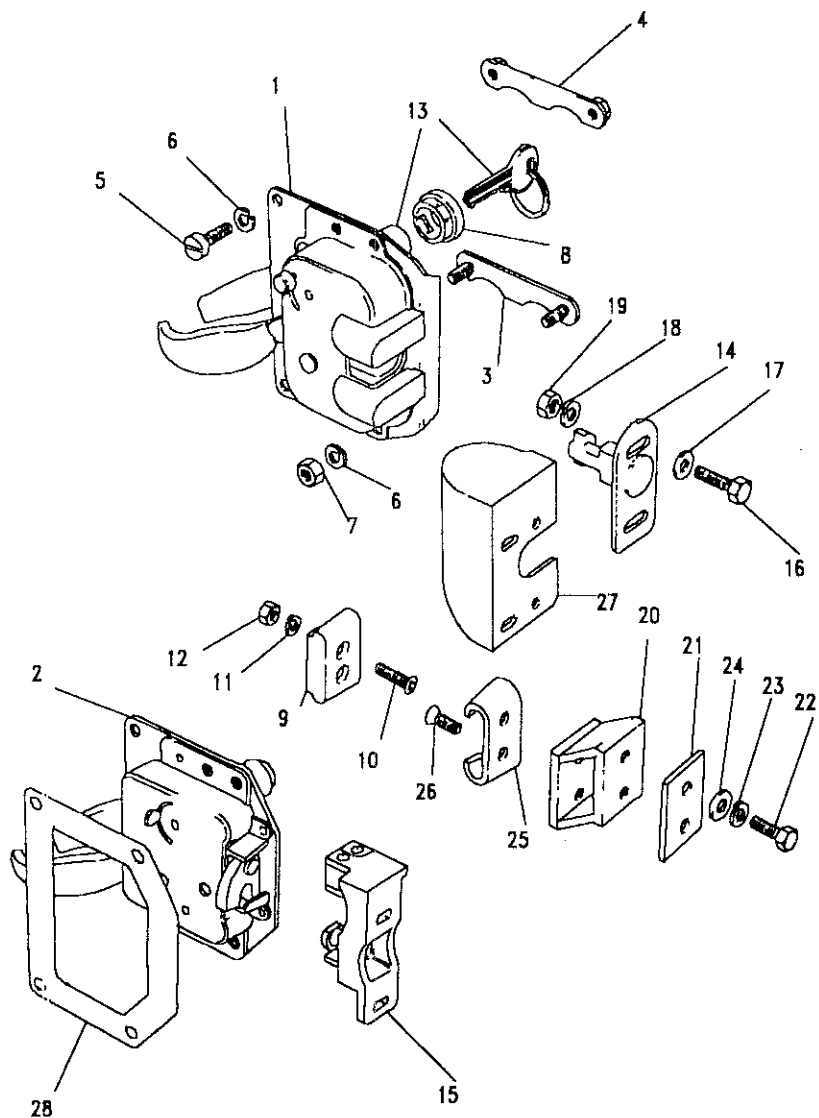
**BODY - REAR SIDE DOOR - LOCK MECHANISM**

III. Part No.	Description	Qty	Remarks
1 MUC8526	Striker lock	2	
2 MUC7809	Spacer	2	
3 MWC3148	Packing piece	A/R	
4 SF106401	Screw	4	Upto HA481996
MXC9689	Screw torx M6x40	4	From HA481997
5 MWC1622	Nut plate	2	



**Model** DEFENDER 110 1987 onwards  
**Page** AFNXH11A

**BODY - REAR END DOOR - LOCKING MECHANISM**

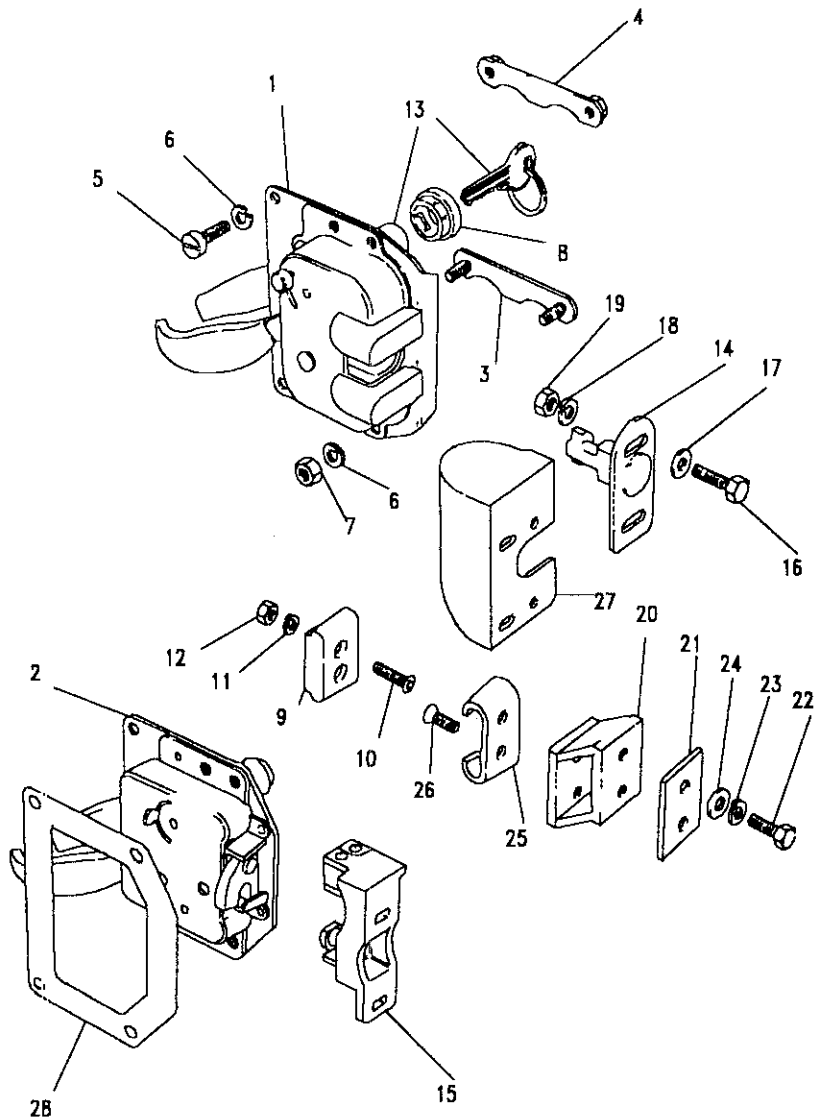


III. Part No.	Description	Qty	Remarks
1	MUC1030	1	Upto 314267
2	395037	1	From 314268
3	MRC9416	1	
4	MRC9417	1	
5	SE106161L	2	
6	WL106001L	4	
7	NH106041L	2	
8	347151	1	
9	332942	1	Upto KA929577
10	SA106251	2	Upto KA929577
11	WL106001L	2	Upto KA929577
12	NH106041L	2	Upto KA929577
13			Note(1)
			Key blank
			Note(1)
14	MRC8444	1	Upto 314267
15	395294	1	From 314268
			Upto KA929577
			From KA929578
	ALR4652	1	
	395078	A/R	
	MWC3312	1	From 289431
16	SH106351L	2	
17	AFU1259	2	Station Wagon
	MRC5525	2	Hard Top
18	WL106001L	2	
19	NH106041L	2	

Note(1) Refer to page 815

**Model** DEFENDER 110 1987 onwards  
**Page** AFNXH11A

**BODY - REAR END DOOR - LOCKING MECHANISM**



III. Part No.	Description	Qty	Remarks
20 MRC9619	Spacer	1	Upto KA929577
21 305232	Shim	2	Upto KA929577
22 FS106201L	Flange screw	2	Upto KA929577
23 WL106001L	Washer spring	2	Upto KA929577
24 AFU1080	Washer plain	2	Upto KA929577
25 332147	Dovetail female	1	Upto KA929577
26 SA106161	Screw	2	Upto KA929577
27 MRC9006	Shroud	1	
28 MXC9455	Seal	1	
<b>Germany</b> MTC7155	Cover striker/dovetail	1	



DEFENDER 110 1987 onwards

815

BODY AND CHASSIS

**Model** DEFENDER 110 1987 onwards  
**Page** AFNXHK1A

**BODY - BARREL LOCK AND KEYS**

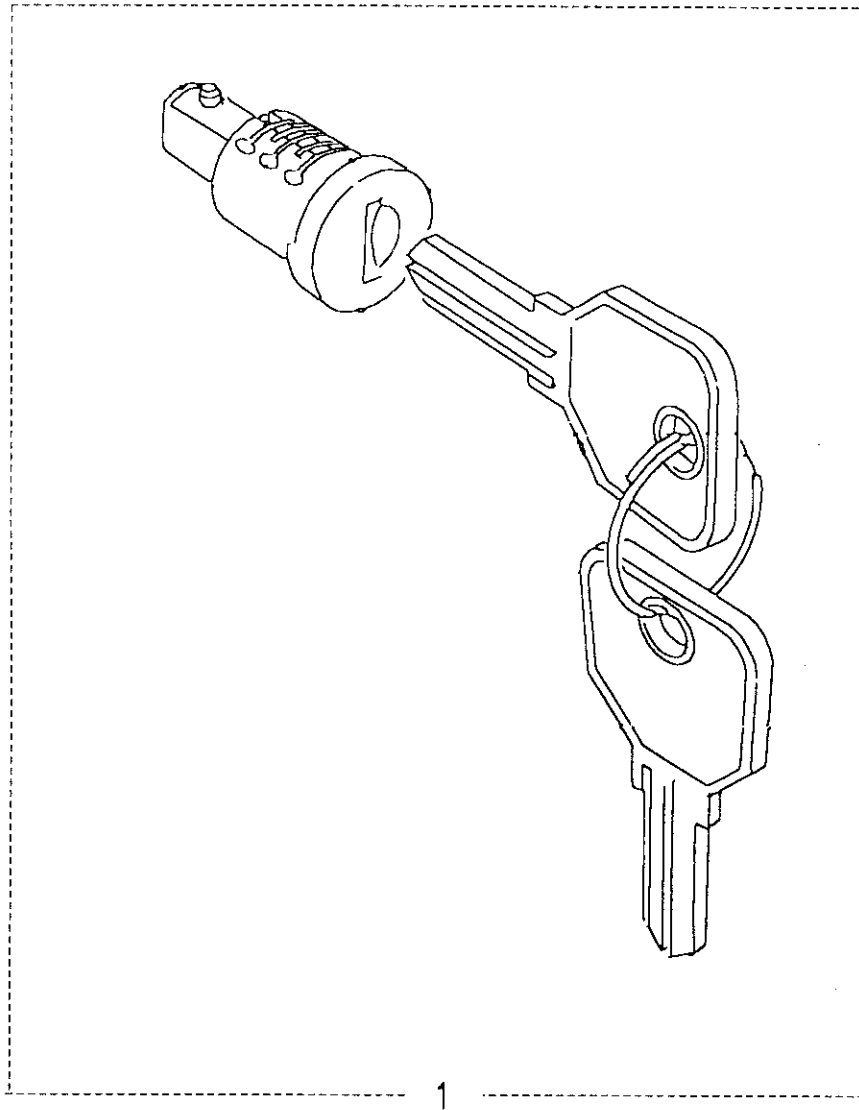
III. Part No.	Description	Qty	Remarks
1 RTC3022	Barrel lock and keys	1	
MTC6503	Barrel locks and keys	1	2 Barrels/2 keys
MTC6504	Barrel locks and keys	1	3 Barrels/2 keys
MTC6505	Barrel locks and keys	1	4 Barrels/2 keys
MTC6506	Barrel locks and keys	1	5 Barrels/2 keys
MTC6507	Barrel locks and keys	1	6 Barrels/2 keys
CZK3438L	Key blank	A/R	FT series

**Rear end door - From VIN 314268**

1 395141	Barrel lock and keys	1	
17H2475L	Key blank	1	FS series

**Tailboard side hinged with lock 395041**

1 395141	Barrel lock and keys	1	
17H2475L	Key blank	A/R	FS series

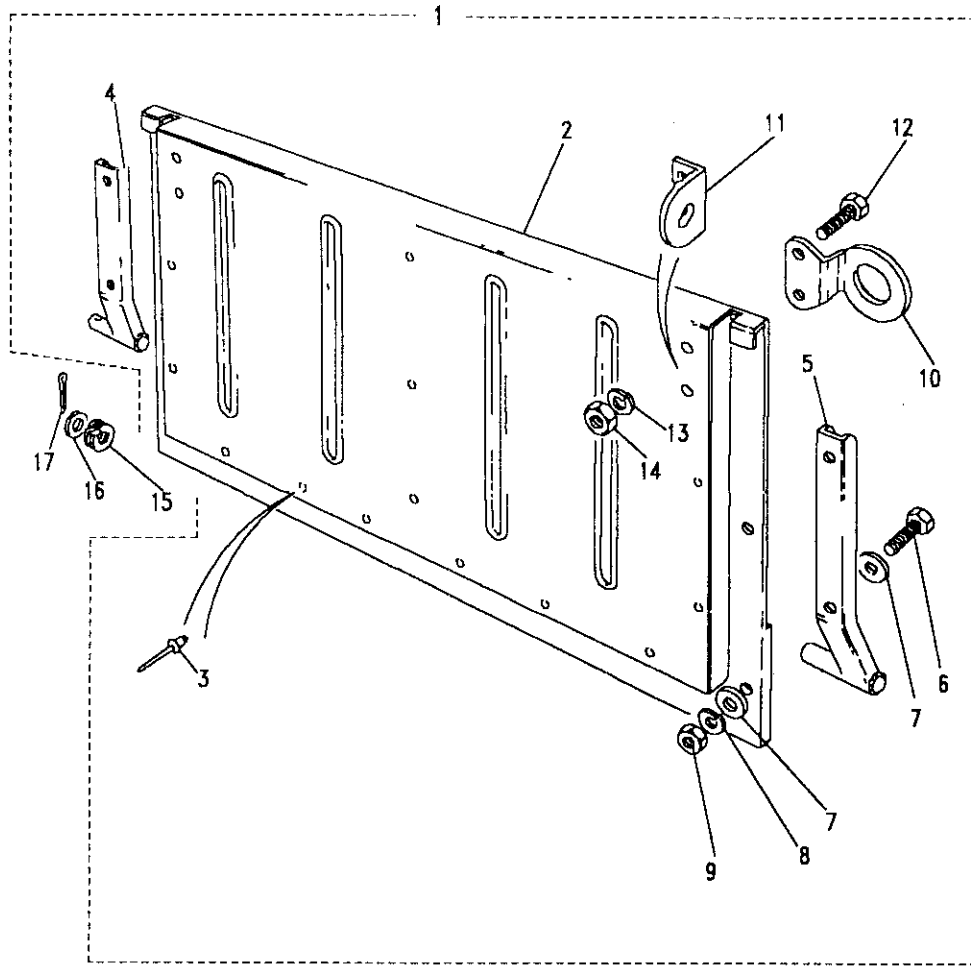


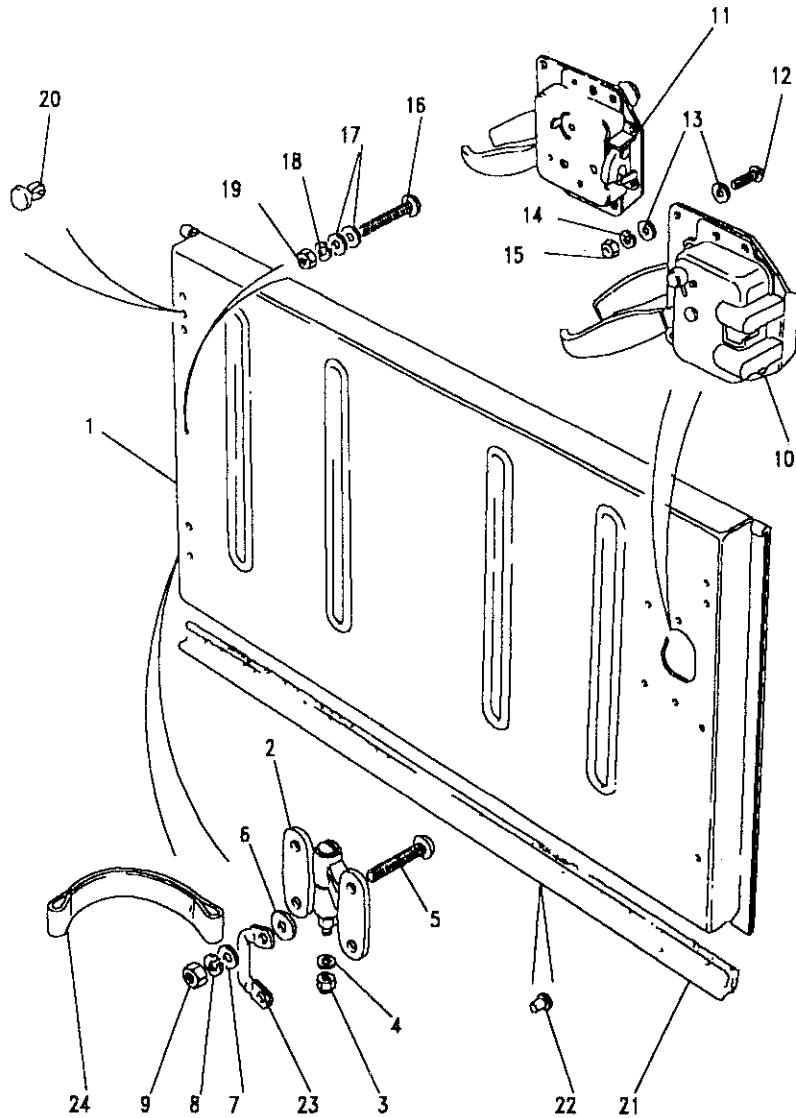


Model DEFENDER 110 1987 onwards  
 Page AFNXIA1A

**BODY - TAILBOARD - LOWER HINGED**

III. Part No.	Description	Qty	Remarks
1	MUC8736	1	Tailboard assembly
2	MUC8737	1	Panel reinforcing
3	78248	17	Rivet
	RR612063	8	Rivet
4	MUC8740	1	Hinge RH
5	MUC8741	1	Hinge LH
6	BH106111L	4	Bolt
7	MRC5528	10	Washer plain
8	WL106001L	4	Washer spring
9	NH106041L	4	Nut
10	MUC8746	2	Plate locking
11	MUC8738	1	Bracket RH
	MUC8739	1	Bracket LH
12	BH106111L	4	Bolt
13	WL106001L	4	Washer spring
14	NH106041L	4	Nut
15	WS600091	1	Washer spring
16	WA600091L	1	Washer plain
17	PS612080	1	Pin split





**Model** DEFENDER 110 1987 onwards  
**Page** AFNXIA2A

**BODY - TAILBOARD - SIDE HINGED**

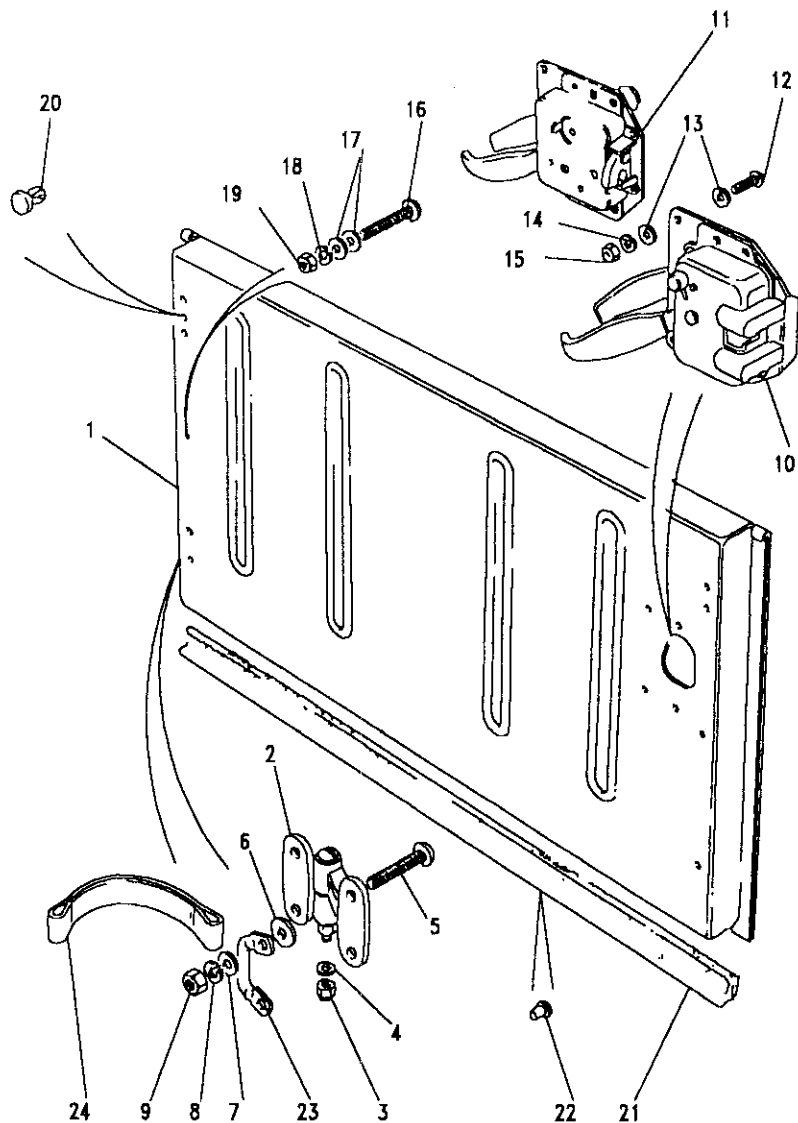
III. Part No.	Description	Qty	Remarks
1 MUC8707	Tailboard	1	
2 346341	Hinge	2	
3 257450	Nut capped	2	
4 WA106041L	Washer plain	2	
5 SE108601	Screw	4	
6 WC108051L	Washer plain	1	
7 WA108051L	Washer spring	2	
8 WL108001L	Washer spring	4	
9 NY108041L	Nut	4	
10 MUC1028	Lock	1	Note(1)(2)
11 395041	Lock	1	Note(1)(3)
	Barrel lock and keys		Note(4)
	Key Blank		Note(4)
12 SE106201L	Screw	4	
13 WA106041L	Washer plain	10	
14 WL106001L	Washer spring	4	
15 NY106041L	Nut	4	

Note(1) Alternatives check before ordering  
 Note(2) Use with Striker MRC8444  
 Note(3) Use with Striker 395294  
 Note(4) For details see page 815

**Model** DEFENDER 110 1987 onwards  
**Page** AFNXIA2A

**BODY - TAILBOARD - SIDE HINGED**

Ill. Part No.	Description	Qty	Remarks
16	SE106501 Screw	5	Redundant holes
17	WA106041L Washer plain	10	
18	WL106001L Washer spring	5	
19	NY106041L Nut	5	
20	79086 Rivet	1	Redundant holes
21	303975 Seal	1	
22	RT612283 Rivet	8	
23	MTC7523 Cleat	1	
24	398776 Check strap	1	



**Model** DEFENDER 110 1987 onwards  
**Page** AFNXIA3A

**BODY - TAILBOARD - SIDE HINGED**

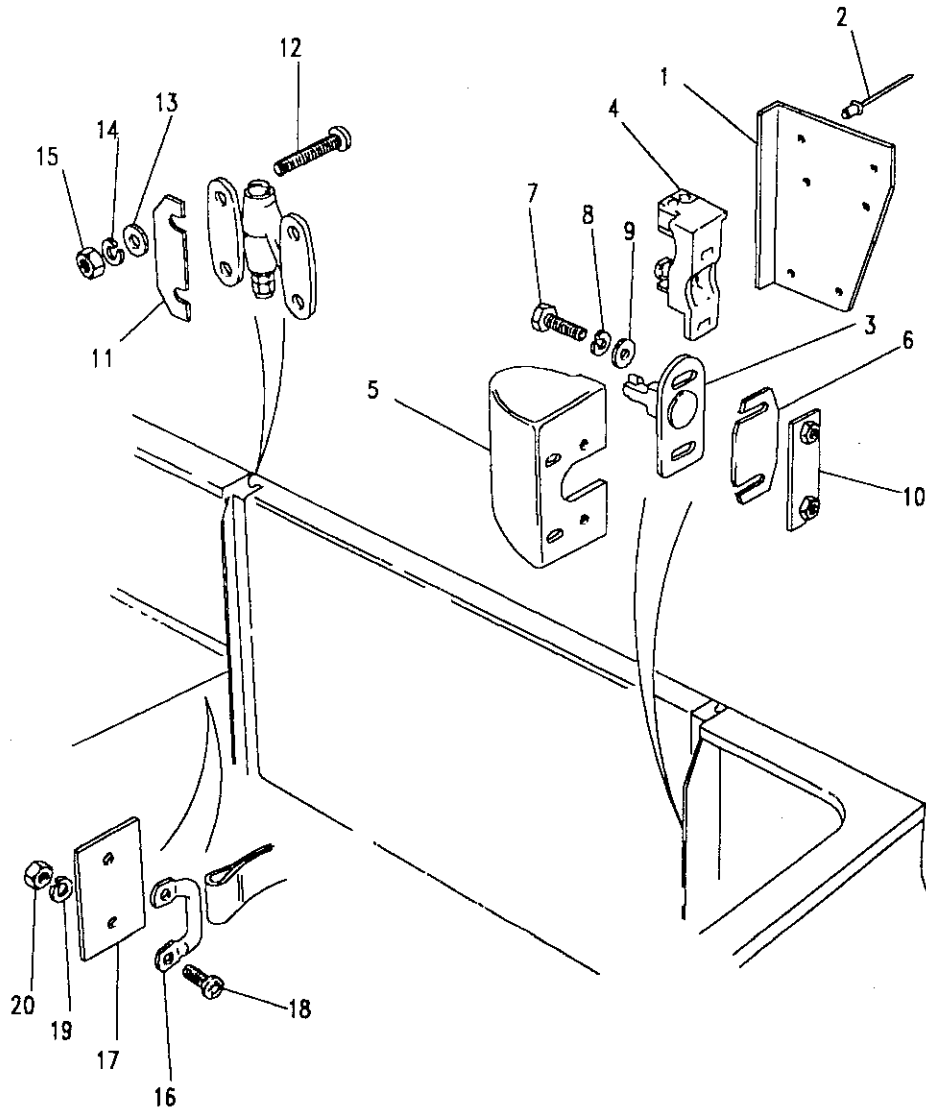
**III. Part No.**

**Description**

**Qty Remarks**

1	MUC9154	Corner Bracket RH	1	
	MUC9155	Corner Bracket LH	1	
2	78248	Rivet	5	
3	MRC8444	Striker lock	1	Note(1)
4	395294	Striker lock	1	Note(2)
	ALR4652	Striker lock	1	Upto KA929577
5	MRC9006	Shroud	1	From KA929578
6	347594	Packing piece	1	
7	SH106351	Screw	A/R	
	FS106201L	Flange screw	2	Note(3)
8	WL106001L	Washer spring	2	
9	WA106041L	Washer plain	2	Note(3)
	AFU1259	Washer plain	2	Note(4)
10	MRC9431	Nut plate	1	
11	395463	Plate cover	1	Upper hinge
12	SE108251	Screw	4	
13	WA108051L	Washer plain	4	
14	WL108001L	Washer spring	4	
15	FN108041L	Nut	4	

Note(1) Use with Lock MUC1028  
 Note(2) Use with Lock 395041  
 Note(3) Use with Striker MRC8444  
 Note(4) Use With Striker 395294

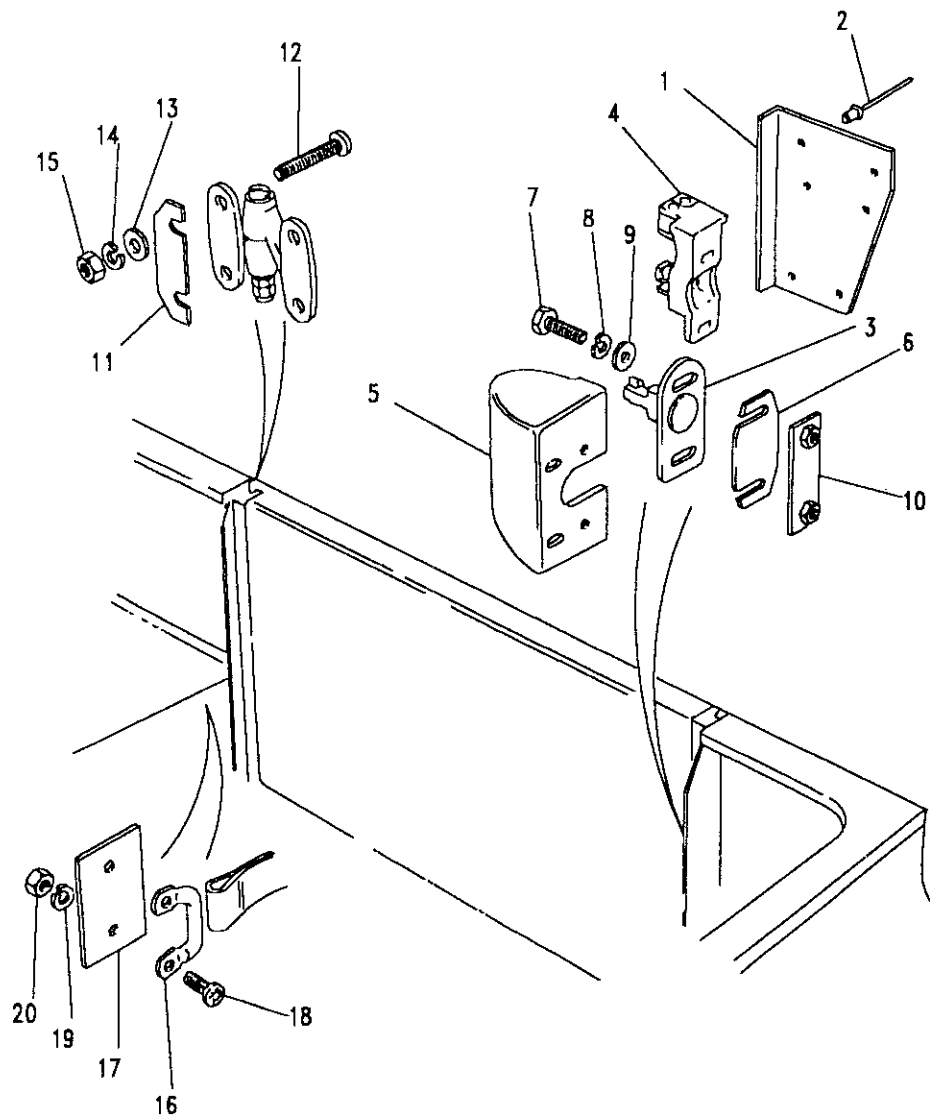




Model DEFENDER 110 1987 onwards  
Page AFNXIA3A

BODY - TAILBOARD - SIDE HINGED

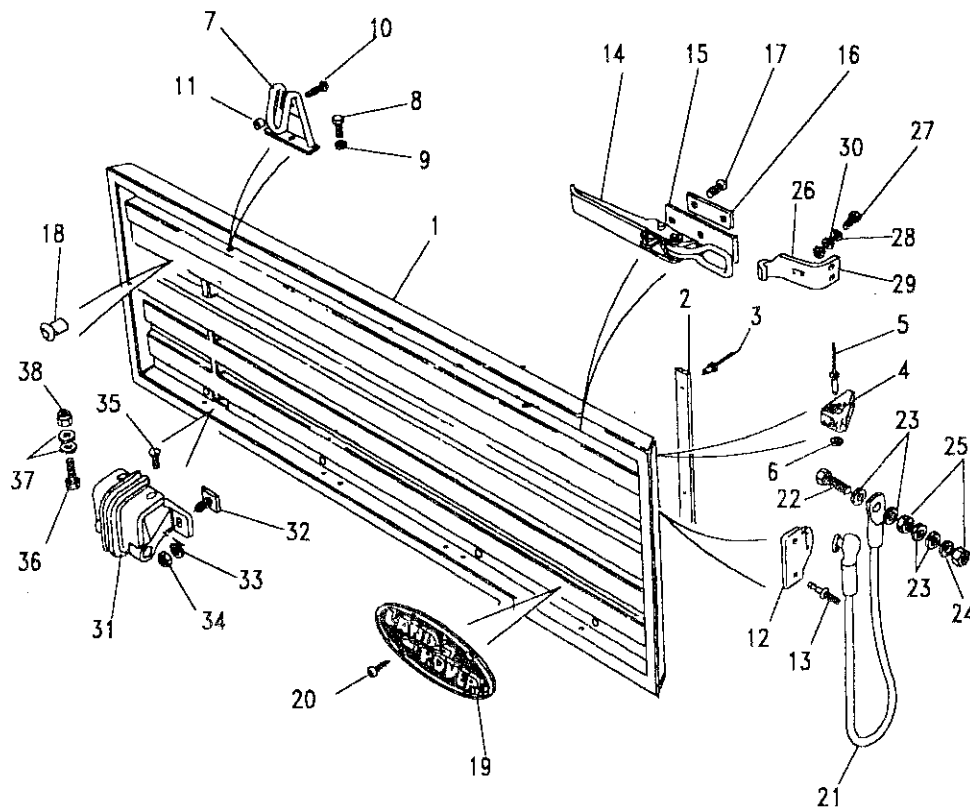
III. Part No.	Description	Qty	Remarks
16 MTC7523	Cleat	1	
17 MTC7525	Plate spreader	1	
18 SE108201	Screw	2	
19 WL108001L	Washer spring	2	
20 FN108041L	Nut	2	



Model DEFENDER 110 1987 onwards

Page AFNXIA4A

BODY - TAILGATE - HIGH CAPACITY PICK UP

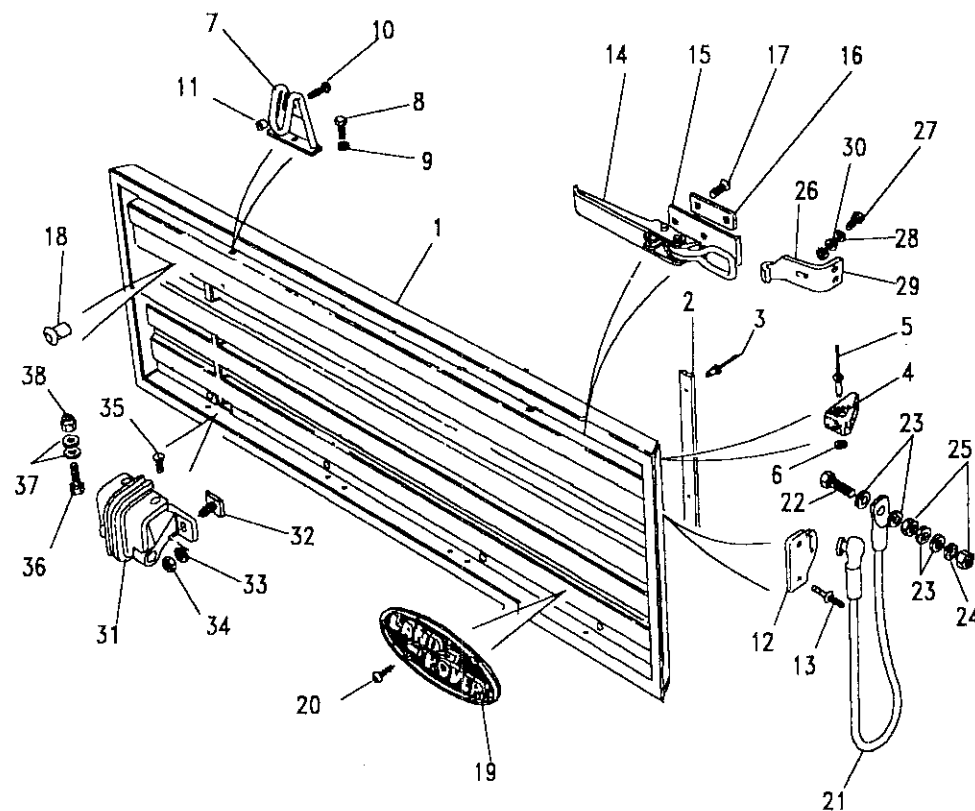


III. Part No.	Description	Qty	Remarks
1	MTC3908 Tailgate	1	
2	MTC3139 Strip wearing	3	
3	RU608183L Rivet	12	
4	MTC1531 Buffer stop	2	
5	RJ608603 Rivet	2	
6	WA103001L Washer plain	2	
7	MTC1439 Lashing bracket	2	
8	FS106201L Flange screw	2	
9	WL106001L Washer spring	2	
10	ACU3530 Rivet	2	
11	AAU6774 Collar	2	
12	MTC4824 Bracket cable	2	
13	AFU1841 Monobolt	4	
14	MTC3917 Latch	2	
15	MTC4846 Plate rubbing	2	
16	MTC4888 Plate spreader	2	
17	SF108251 Screw	4	
18	AFU1876 Rivet nut	2	Number plate lamp
19	MTC4460 Nameplate	1	Upto FA414615
20	AB606031L Screw	2	Upto FA414615

Note(1) When fitting later type tailgate, it will only be drilled to accept the two outer hinges. To fit the two centre hinges, leave them bolted to the body and use them as a template to drill into the tailgate.

Model DEFENDER 110 1987 onwards  
 Page AFNXIA4A

**BODY - TAILGATE - HIGH CAPACITY PICK UP**



III. Part No.	Description	Qty	Remarks
21	RRC5539 Retainer cable	2	
22	SH108301L Screw	2	
23	WA108051L Washer plain	8	
24	WL108001L Washer spring	2	
25	FN108041L Nut	4	
26	MTC4844 Catch RH	1	
	MTC4845 Catch LH	1	
27	SH106251L Screw	6	
28	WC106041L Washer plain	6	
29	WL106001L Washer spring	6	
30	WC106041L Washer plain	A/R	Adjustment
31	MTC3556 Hinge	4	
32	MTC3557 Tee bolt	8	Hinge to crossmber
33	WA108051L Washer plain	8	
34	FN108041L Nut	8	
35	SH106141L Screw	4	
36	FS108251L Screw	8	Hinge to tailboard
37	WA108051L Washer plain	16	
38	NY108041L Nut	8	
	MTC3923 Seal tailboard	1	

Note(1)

When fitting later type tailgate, it will only be drilled to accept the two outer hinges. To fit the two centre hinges, leave them bolted to the body and use them as a template to drill into the tailgate.

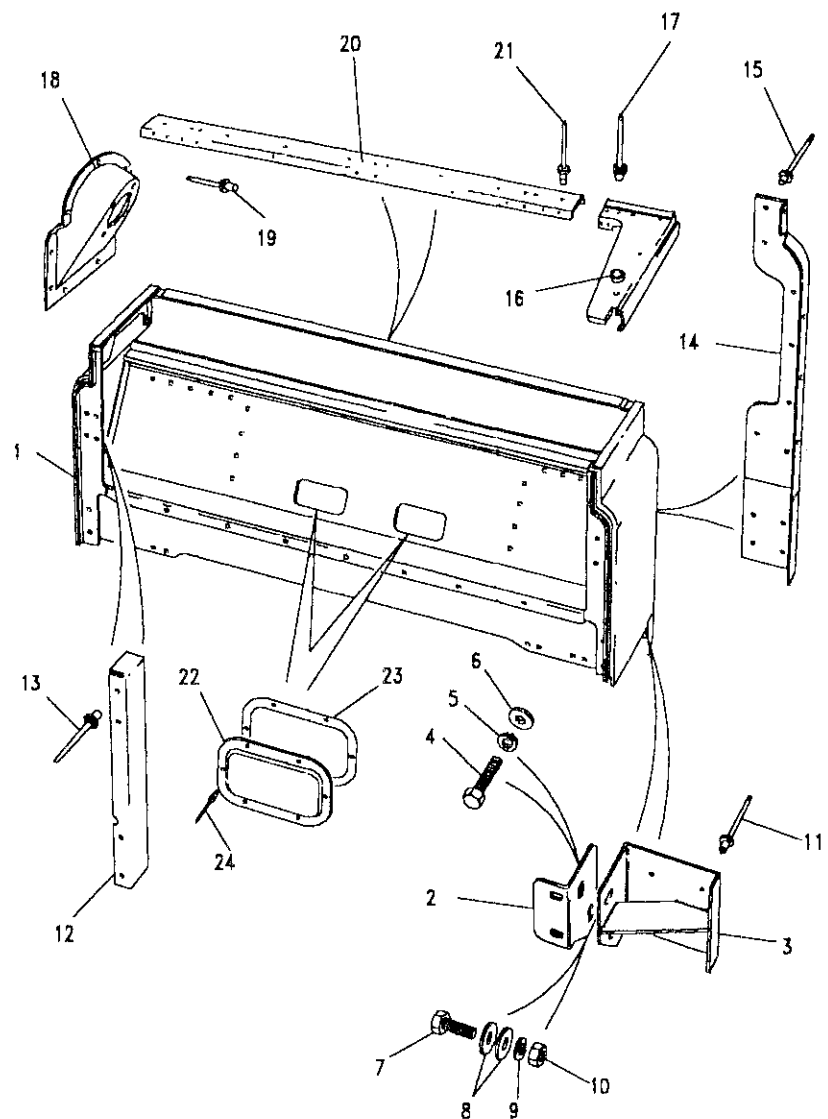


Model DEFENDER 110 1987 onwards

Page AFNXJA1A

**BODY - CAB BASE ASSEMBLY**

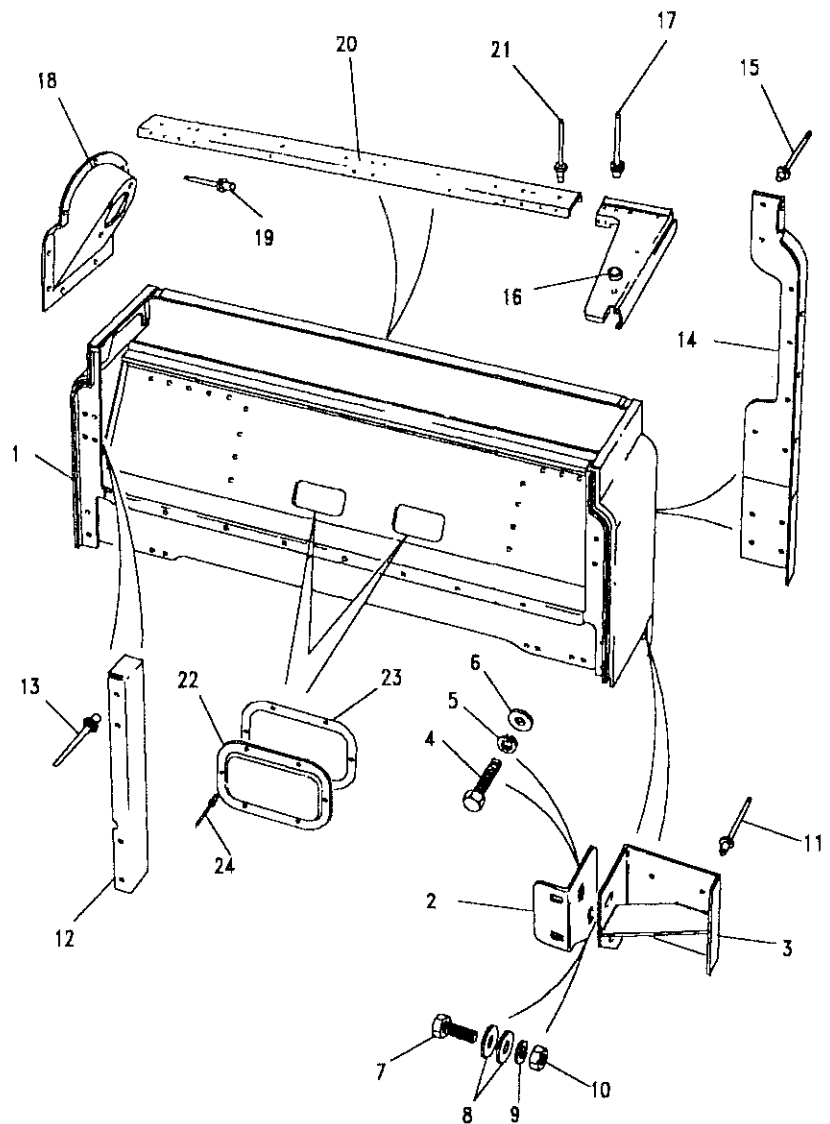
Ill. Part No.	Description	Qty	Remarks
<b>Defender 110</b>			
1 MWC9340	Cab base assembly	1	
<b>Defender 130</b>			
1 RRC2491	Cab base assembly	1	Upto 14-11-88
RRC6245	Cab base assembly	1	From 15-11-88
2 MTC2106	Angle mounting RH	1	
MTC2107	Angle mounting LH	1	
3 MTC2224	Angle reinforcing RH	1	
MTC2225	Angle reinforcing LH	1	
<b>Fixings - Angle mounting to chassis</b>			
4 FS106167L	Screw	4	
5 WL106001L	Washer spring	4	
6 WA106041L	Washer plain	4	
<b>Angle mounting to angle reinforcing</b>			
7 FS106167L	Screw	4	
8 MRC5527	Washer plain	8	
9 WL106001L	Washer spring	4	
10 NH106041L	Nut	4	
<b>Angle reinforcing to cab base</b>			
11 78248	Rivet	8	





Model DEFENDER 110 1987 onwards  
 Page AFNXJA1A

**BODY - CAB BASE ASSEMBLY**



III. Part No.	Description	Qty	Remarks
12 MWC1820	Stiffener door pillar RH	1	
MWC1821	Stiffener door pillar LH	1	
13 AFU1350	Monobolt	4	
14 MUC8756	Angle corner protctn LH	1	)Up to
MUC8755	Angle corner protctn RH	1	)Jan 1990
ALR1466	Angle corner protctn LH	1	)From
ALR1467	Angle corner protctn RH	1	)Jan 1990
ALR1468	Angle corner protctn RH	1	Note(1)
15 78248	Rivet	26	
16 MWC3321	Capping corner LH	1	Note(3)
MWC3320	Capping corner RH	1	Note(3)
17 78248	Rivet	8	
18 330366	Cowl side fuel filler	1	Note(1)and(2)
MUC9158	Cowl side fuel filler	1	Note(1)and(3)
19 78248	Rivet	9	
20 MWC2938	Capping bulkhead	1	Note(3)
21 RU612373L	Rivet	39	
22 MUC6519	Plate cover cab base	2	
23 MWC2129	Gasket	2	
24 78248	Rivet	12	

Note(1) Vehicles with additional fuel tank  
 Note(2) Galvanised-not suitable for painting  
 Note(3) Galvanised and treated-suitable for painting

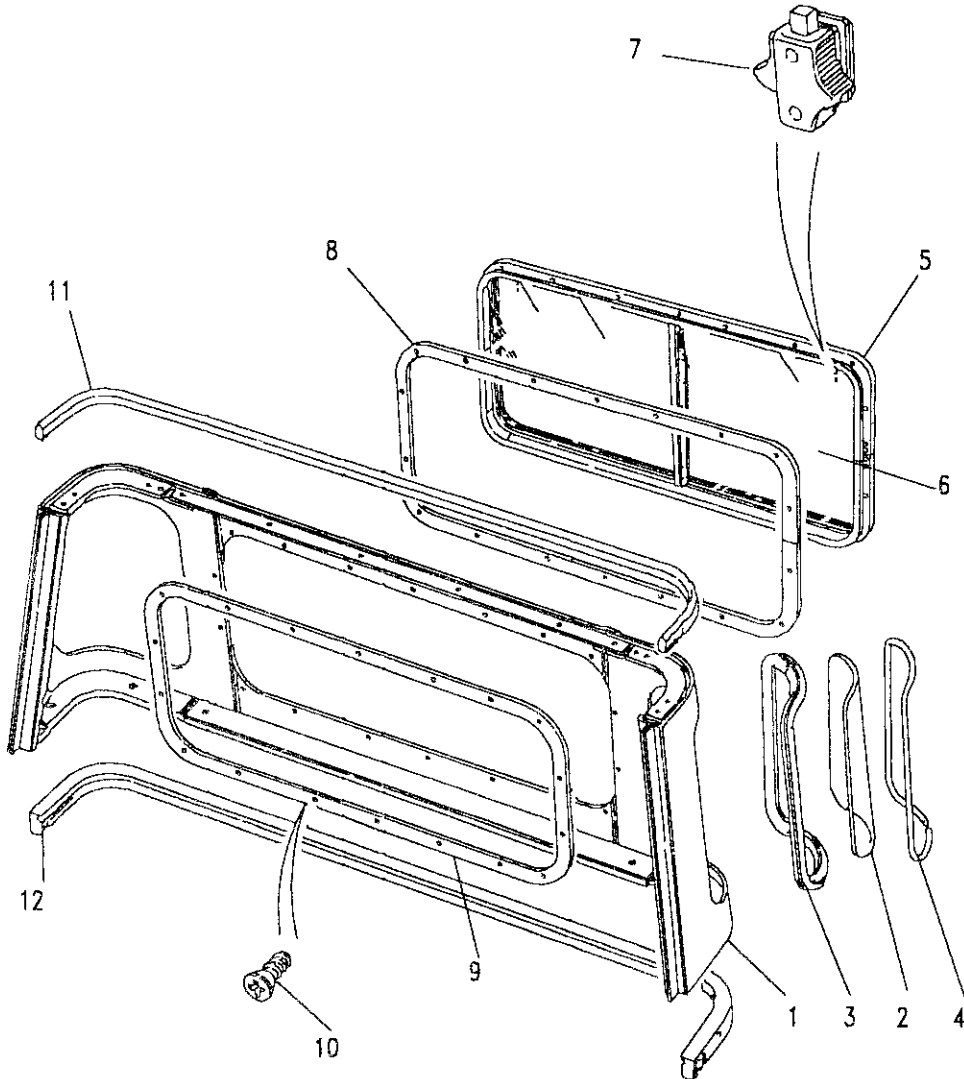


Model DEFENDER 110 1987 onwards  
Page AFNXJC1A

BODY - CAB REAR PANEL

III. Part No.	Description	Qty	Remarks
1	RTC6222	1	
2	MTC3461	1	Note(1)
	MTC3462	1	Note(1)
	MWC4710	1	Note(2)
	MWC4711	1	Note(2)
3	330790	2	Note(1)
	MWC4773	2	Note(2)
	ALR3966	1	Upto KA926003
4	330791	2	From KA926004
5	MTC5197	1	Note(1))
6	MTC6544	2	
7	AEU2805	1	
	AEU2806	1	
5	MWC4762	1	Note(2)
	ALR5080	1	Upto KA930143
			Note(2)
			From KA930144
6	MWC4726	2	
7	MWC7625	1	
	MWC7648	1	
	MWC7620	2	
	MWC7652	1	

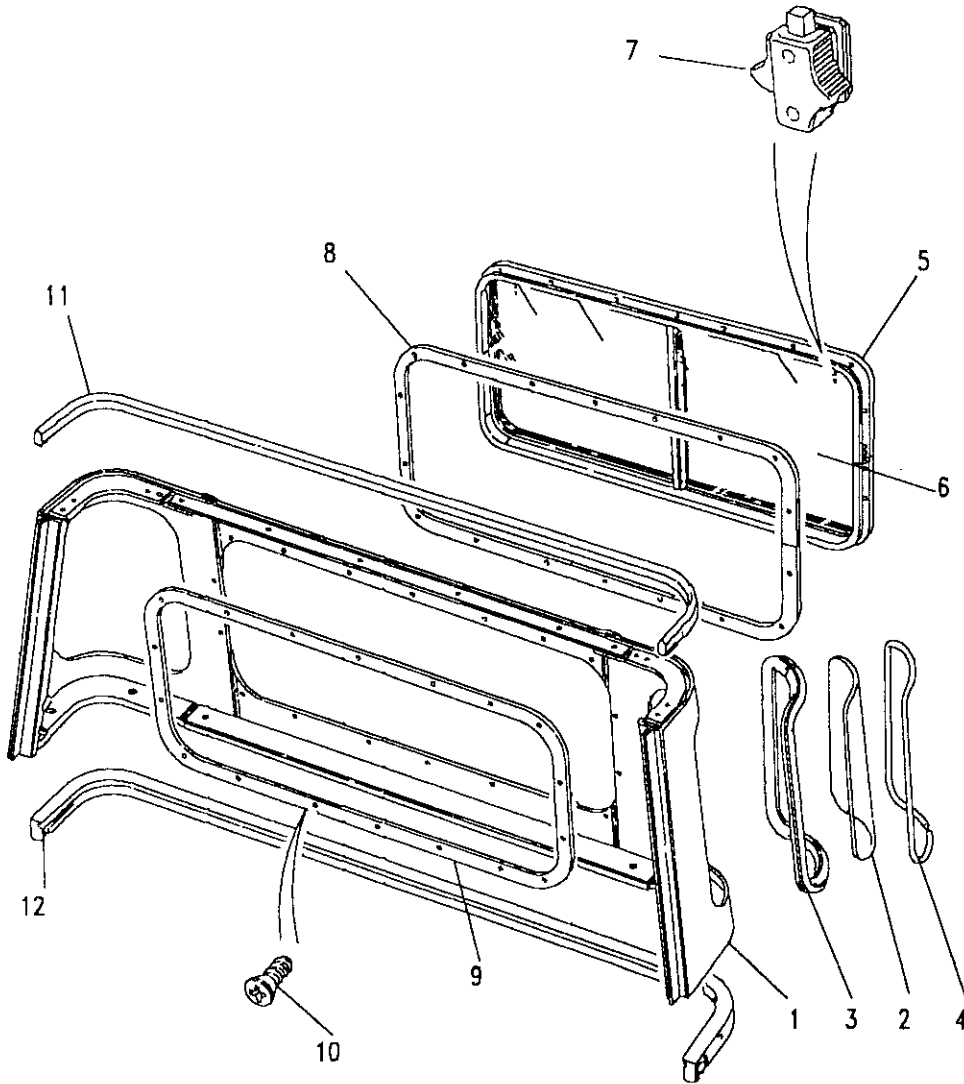
Note(1) 5mm glass - Upto 342383  
Note(2) 4mm glass - From 342384



**Model** DEFENDER 110 1987 onwards  
**Page** AFNXJC1A

**BODY - CAB REAR PANEL**

III. Part No.	Description	Qty	Remarks
8	MTC6233 Seal window	1	Upto 307407
	MWC7641 Seal window	1	From 307408
9	MTC6232 Finisher window	1	Upto KA930143
10	AS604044 Screw	18	Upto KA930143
	RU610253 Rivet	18	From KA930144
11	334614 Seal upper	1	
12	333486 Seal lower	1	Upto HA479376
	ALR1161 Seal lower	1	From HA479377
	ALR5057 Seal waist	1	Upto KA925389 From KA925390
	<b>Finisher - Top corner flanges of panel rear cab</b>		
	MTC7513 Strip edging	A/R	

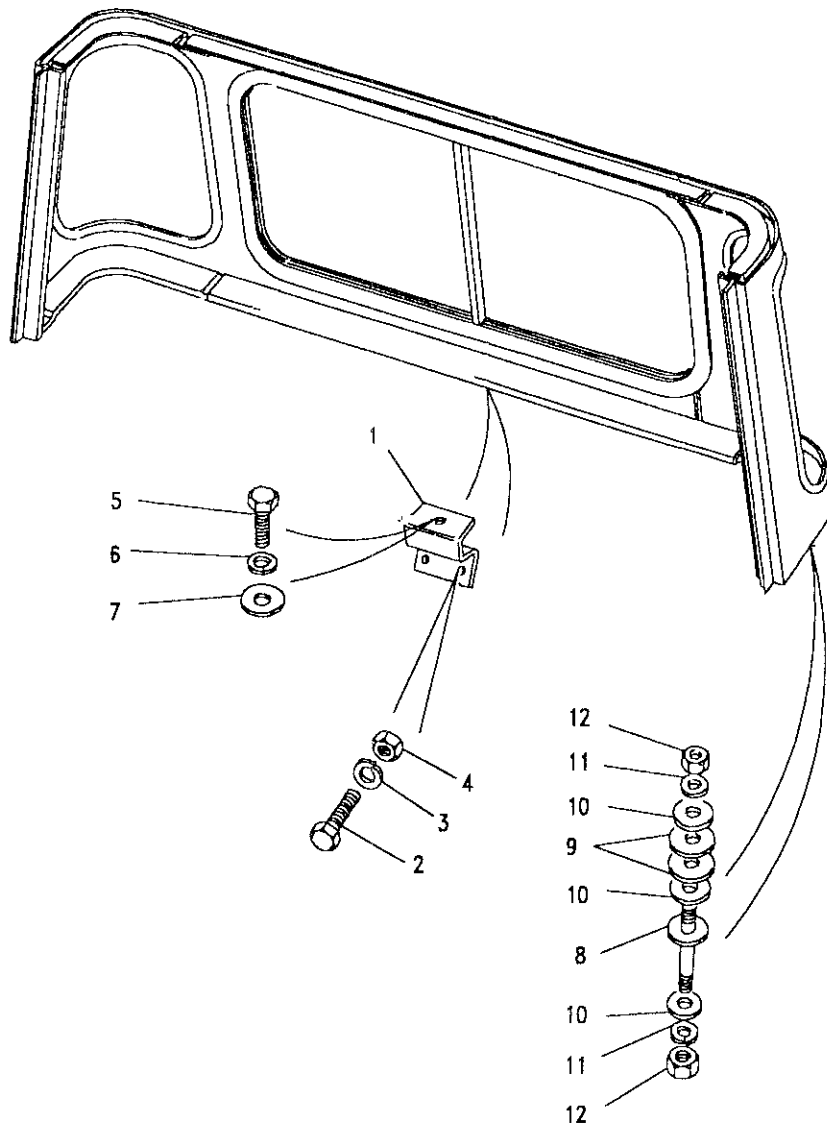




Model DEFENDER 110 1987 onwards

Page AFNXJC2A

BODY - CAB REAR PANEL



III. Part No.	Description	Qty	Remarks
1 336577	Bracket mounting	4	
2 SH106251L	Screw	8	
3 WL106001L	Washer spring	8	
4 NH106041L	Nut	8	
5 SH607091L	Screw	4	
6 WM600071L	Washer spring	4	
7 4580	Washer plain	4	
8 MUC8928	Stud mounting	2	
9 WP185L	Washer plain	4	
10 WC112081L	Washer plain	6	
11 WL108001L	Washer spring	4	
12 FN108041L	Nut	4	



Model DEFENDER 110 1987 onwards

Page AFNXKC1A

**BODY - REAR BODY LOWER - NON STATION WAGON**

III. Part No. Description Qty Remarks

**Rear Fuel filler aperture - WITH rope cleats**

1	MUC3958	Body rear lower assembly	1	
2	RTC6246	Panel front	1	
3	MUC3964	Bodyside & wheelarch RH	1	
4	MUC3302	Bodyside Panel RH	1	

**Rear Fuel filler aperture - NO rope cleats**

1	RTC5705	Body rear lower assembly	1	Up to MA
1	ALR7105	Body rear lower assembly	1	From MA
2	RTC6246	Panel front	1	
3	RTC5707	Bodyside & wheelarch RH	1	Up to MA
	ALR7106	Bodyside & wheelarch RH	1	From MA
4	RTC5710	Bodyside Panel RH	1	

**Front & rear fuel filler apertures - WITH rope cleats**

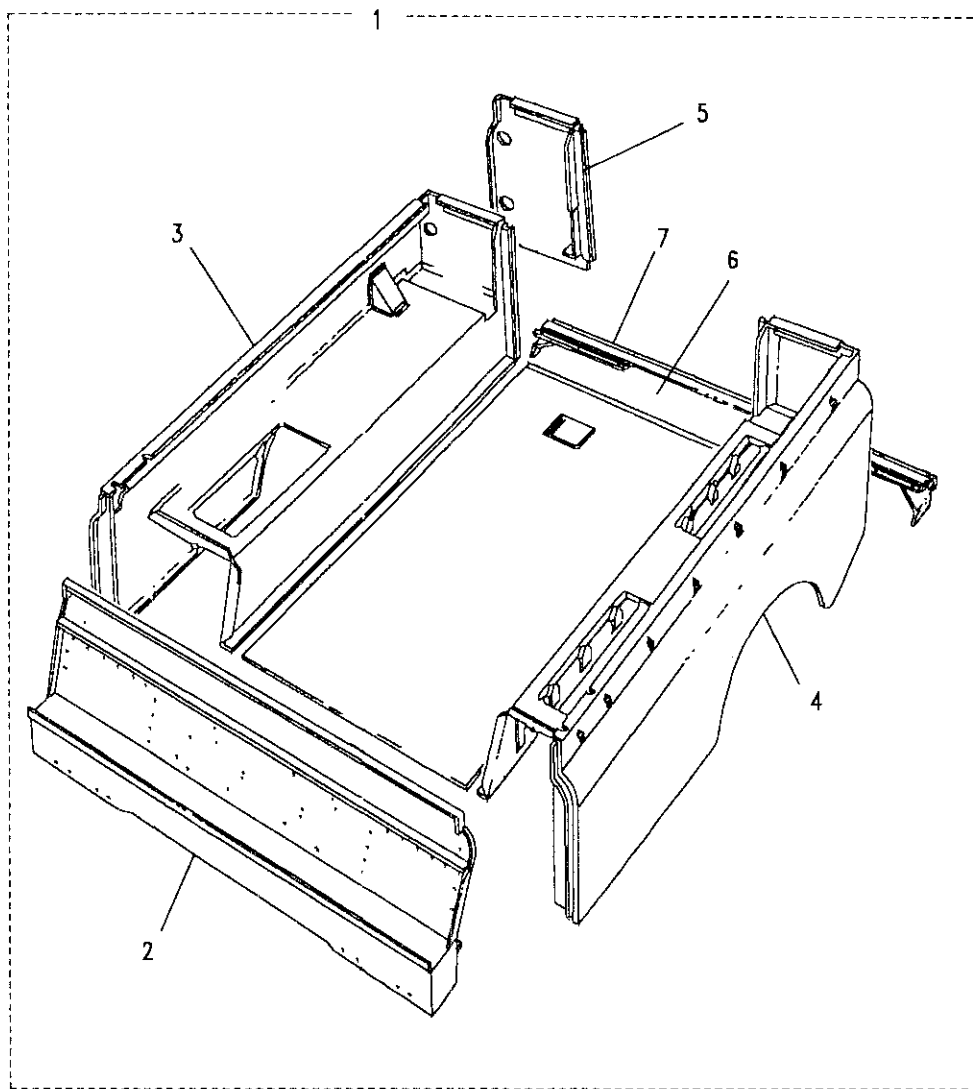
1	MUC3971	Body rear lower assembly	1	
2	MWC7665	Panel front	1	
3	MUC3974	Bodyside & Wheelarch RH	1	
4	MUC3309	Bodyside Panel RH	1	

**Front fuel filler apertures - WITH rope cleats**

1	MUC9142	Body rear lower assembly	1	
2	MWC7665	Panel front	1	
3	MUC9136	Bodyside & Wheelarch RH	1	
4	RTC6257	Bodyside Panel RH	1	

**No fuel filler apertures - NO rope cleats**

1	RTC5706	Body rear lower assembly	1	
2	MWC7665	Panel front	1	
3	RTC5708	Bodyside & Wheelarch RH	1	
4	RTC5711	Bodyside Panel RH	1	





Model DEFENDER 110 1987 onwards

Page AFNXXC1A

BODY - REAR BODY LOWER - NON STATION WAGON

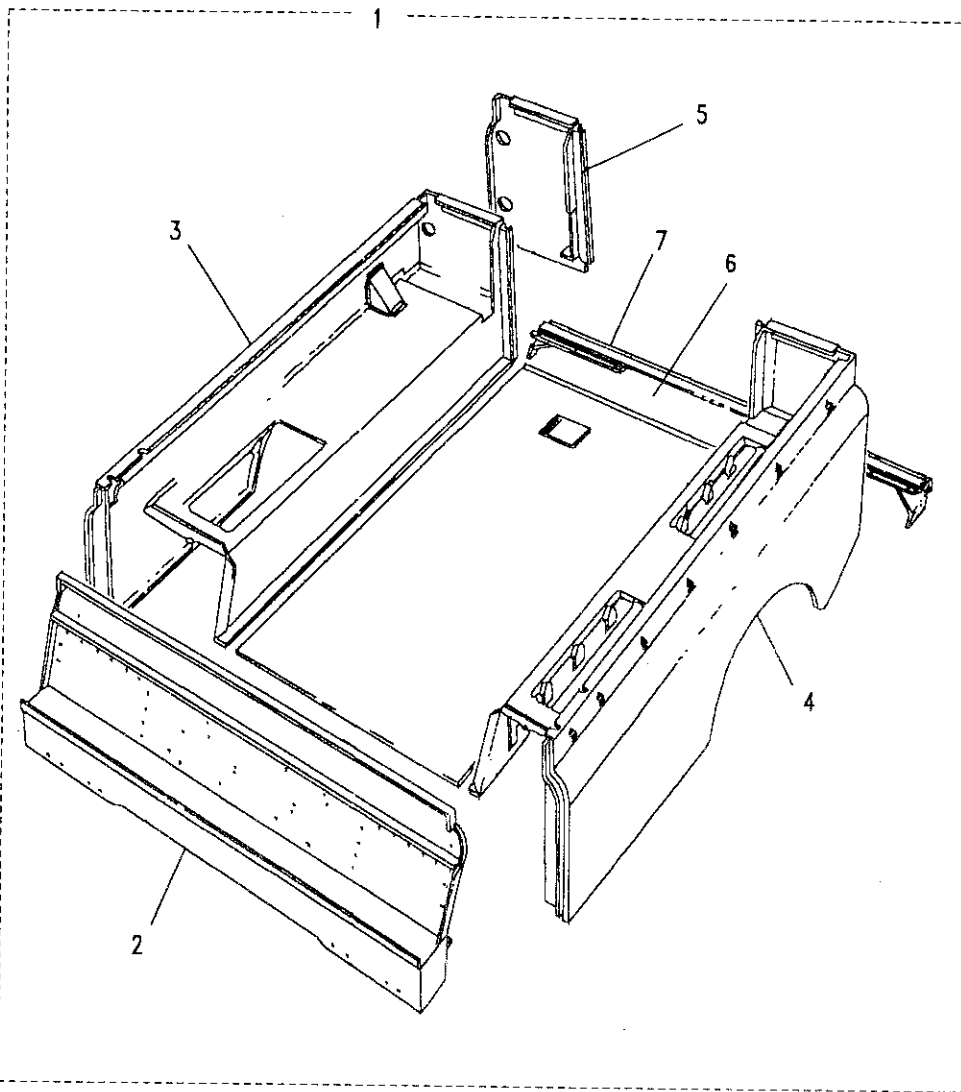
III. Part No. Description Qty Remarks

WITH rope cleats

3	MUC3963	Bodyside & Wheelarch LH	1	
4	MUC3303	Bodyside Panel LH	1	

NO rope cleats

3	RTC5709	Bodyside & Wheelarch LH	1	Up to MA
	ALR7107	Bodyside & Wheelarch LH	1	From MA
4	RTC5712	Bodyside Panel LH	1	
5	MTC7980	Panel rear end RH	1	
	MTC7981	Panel rear end LH	1	
6	MUC3962	Plate floor	1	
7	330271	Angle mounting rear	1	
	78248	Rivet	A/R	
	RU612373L	Rivet	A/R	





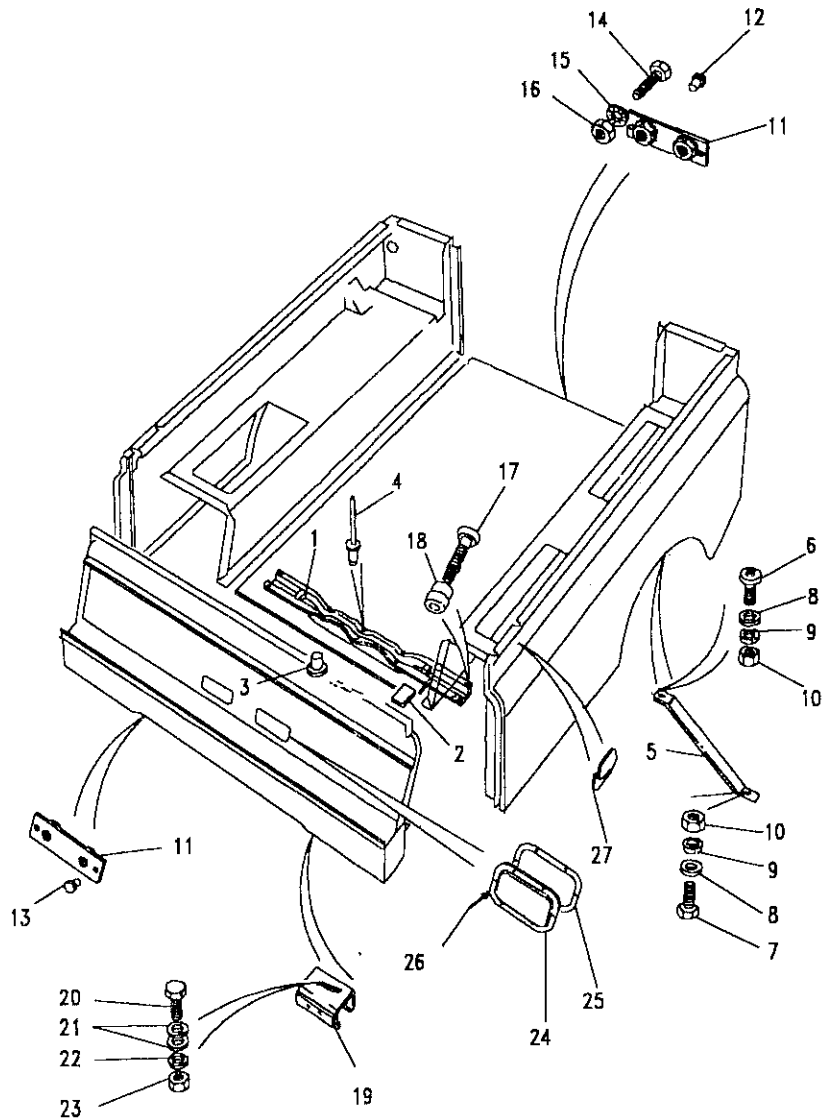
Model DEFENDER 110 1987 onwards  
 Page AFNXKC2A

**BODY - REAR BODY LOWER - NON STATION WAGON**

III. Part No.	Description	Qty	Remarks
1	MUC8949	6	Crossmember
2	332582	12	Pad mounting
3	RU612373L	24	Rivet
4	78248	36	Rivet
5	MRC6027	1	Stay RH
	MRC6028	1	Stay LH
6	SE106201L	2	Screw
			Stay to floor
7	FS106201L	2	Flange screw
8	WA106041L	4	Washer plain
9	WL106001L	4	Washer spring
10	NH106041L	4	Nut
11	MRC8736	7	Nut plate
12	RB610082	6	Rivet
			Front
13	78248	8	Rivet
			Rear

**Body to chassis at rear**

14	SX108251	10	Screw
15	WF600051L	14	Washer shakeproof
	WL108001L	14	Washer spring
16	FN108041L	10	Nut



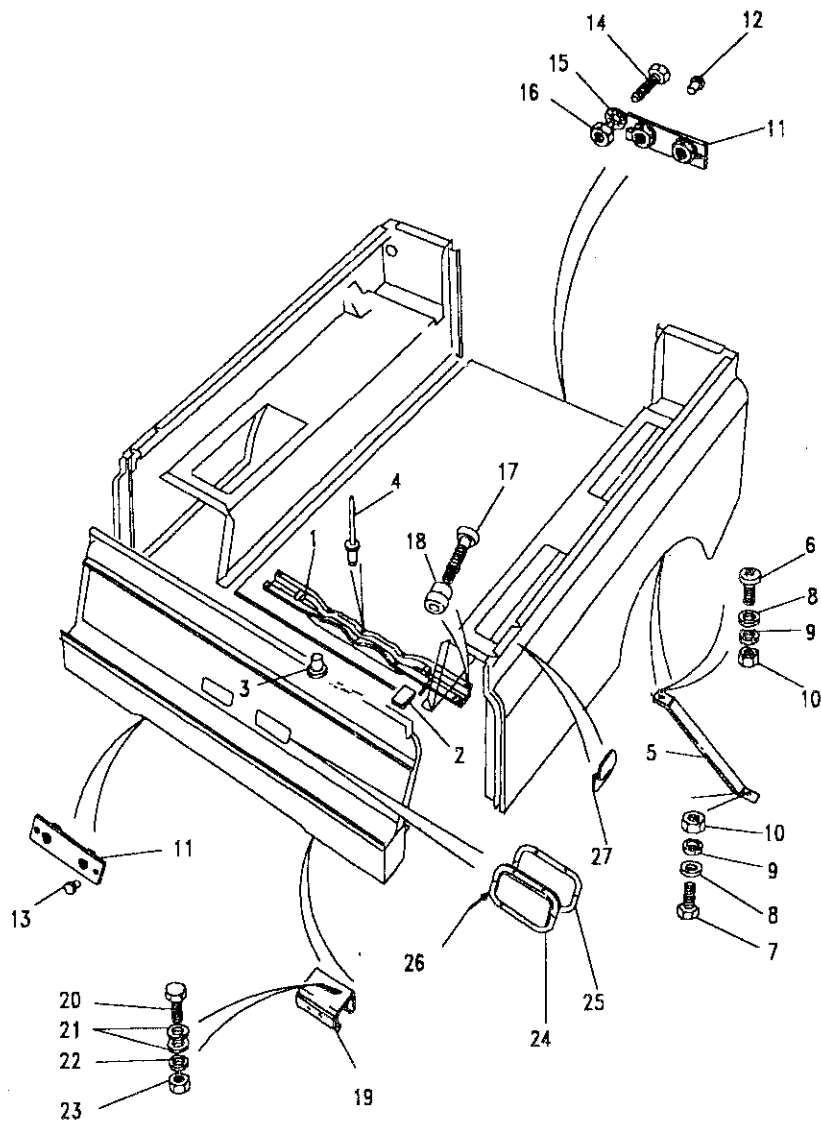
**Model** DEFENDER 110 1987 onwards

**Page** AFNXKC2A

**BODY - REAR BODY LOWER - NON STATION WAGON**

III. Part No.	Description	Qty	Remarks
17 79281	Pin	A/R	
79283	Pin	A/R	
79293	Pin	A/R	
18 79289	Collar	A/R	
19 MTC3046	Bracket mounting	2	
20 FS108207L	Screw	4	
21 WA108051L	Washer plain	8	
22 WL108001L	Washer spring	4	
23 FN108041L	Nut	4	
<b>Front mounting member to chassis</b>			
FS108207L	Screw	8	
WA108051L	Washer plain	8	
WL108001L	Washer spring	8	
FN108401	Nut	8	
24 MUC6519	Plate cover	2	
25 MWC2129	Gasket	2	
26 78248	Rivet	12	
27 301328	Rope cleat	10	Note(1)
MUC3932	Cover rope cleat	10	Germany

Note(1) Vehicles with hood assembly

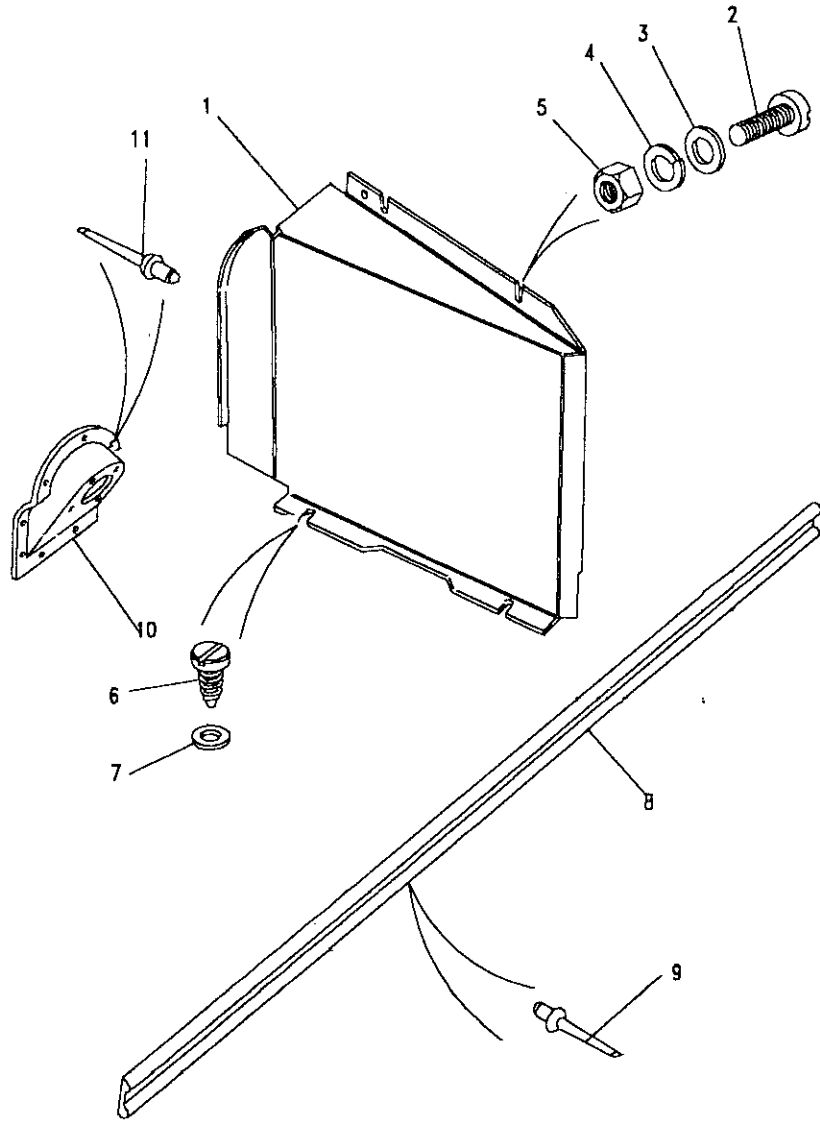






Model DEFENDER 110 1987 onwards  
Page AFNXKC3A

BODY - REAR BODY LOWER - NON STATION WAGON



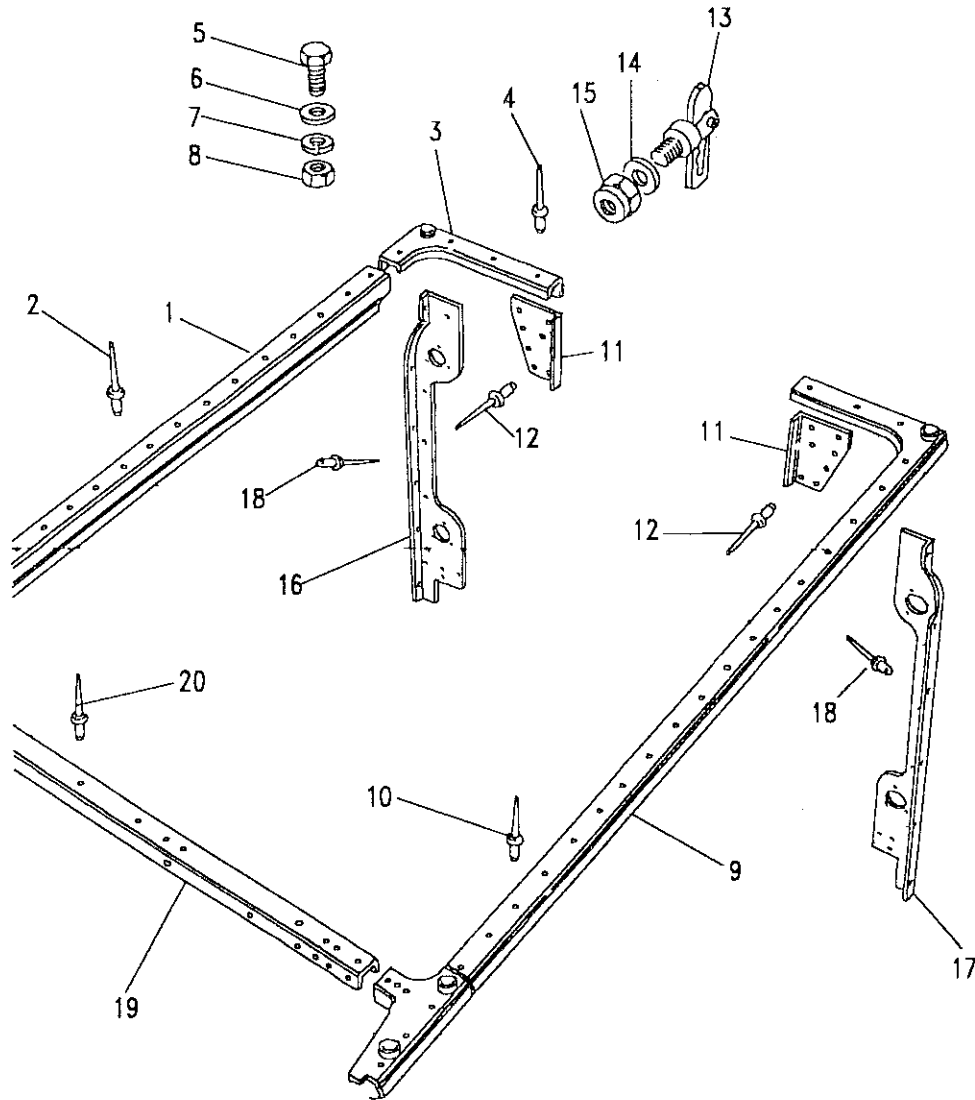
III. Part No.	Description	Qty	Remarks
1	MRC2244	1	Rear lamps
	MRC2245	1	Rear lamps
2	SP105121	4	
3	WC105001L	4	
4	WL105001L	4	
5	NM105011	4	
6	AB608031L	4	
7	WC105001L	4	
8	330615	3	
9	78248	39	
10	MUC9158	1	
11	RU612373L	9	



**Model** DEFENDER 110 1987 onwards

**Page** AFNXKC4A

**BODY - REAR BODY LOWER - NON STATION WAGON**



**III. Part No. Description Qty Remarks**

1	MWC2120	Top capping RH	1	
	MWC2121	Top capping LH	1	
2	78248	Rivet	38	
	RU612373L	Rivet	16	
3	MWC3316	Corner capping RH	1	
	MWC3317	Capping bodyside	1	
4	RA612373L	Rivet	12	
	78248	Rivet	4	
5	FS106201L	Flange screw	2	) Note(3)
6	WA106001L	Washer plain	4	
7	WL106001L	Washer spring	2	
8	NH106041L	Nut	2	)
9	MXC5973	Capping RH	1	
	MXC5974	Capping LH	1	
10	78248	Rivet	62	

**Pierced - Vehicles with tailboard**

11	MUC8730	Corner Bracket RH	1	
	MUC8731	Corner Bracket LH	1	

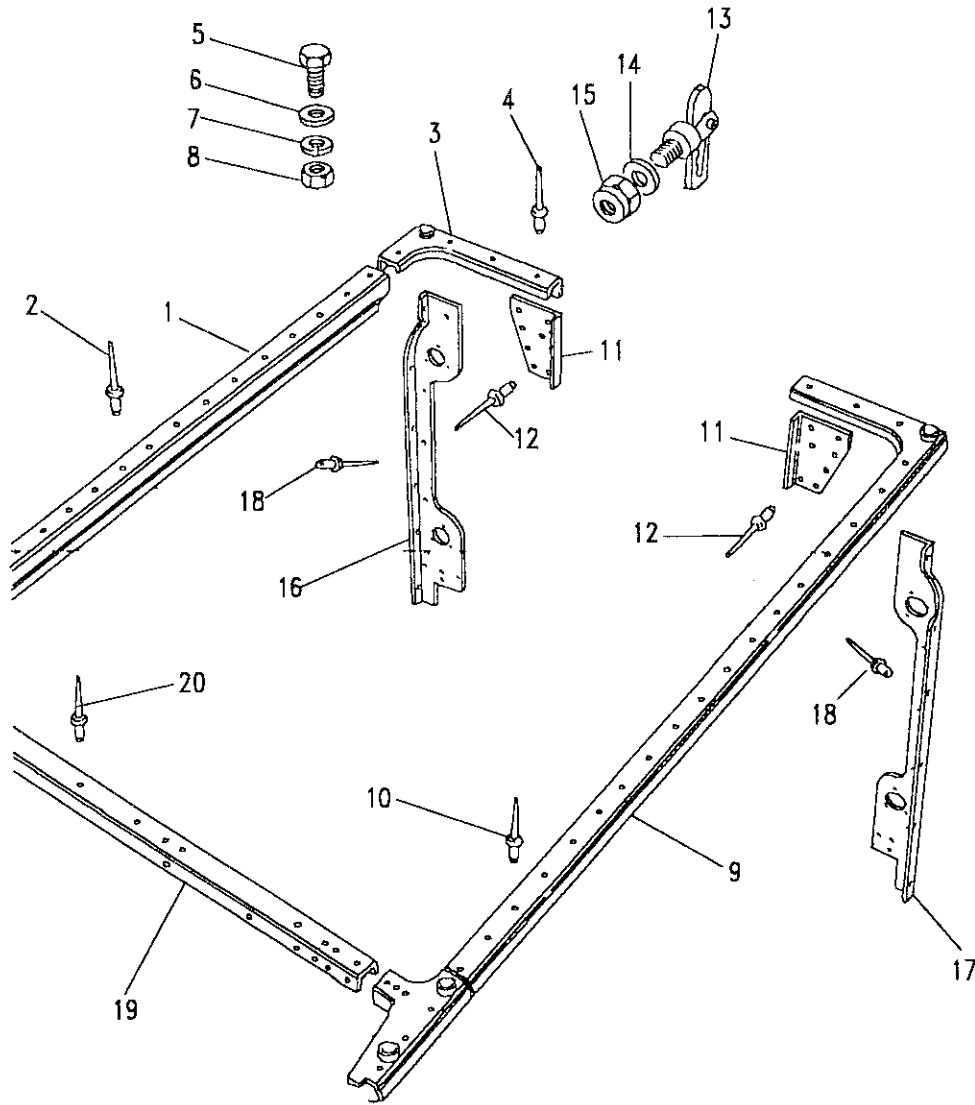
**Plain - Vehicles with rear end door**

	MUC9154	Corner Bracket RH	1	
	MUC9155	Corner Bracket LH	1	
12	RU612373L	Rivet	6	
	78248	Rivet	4	



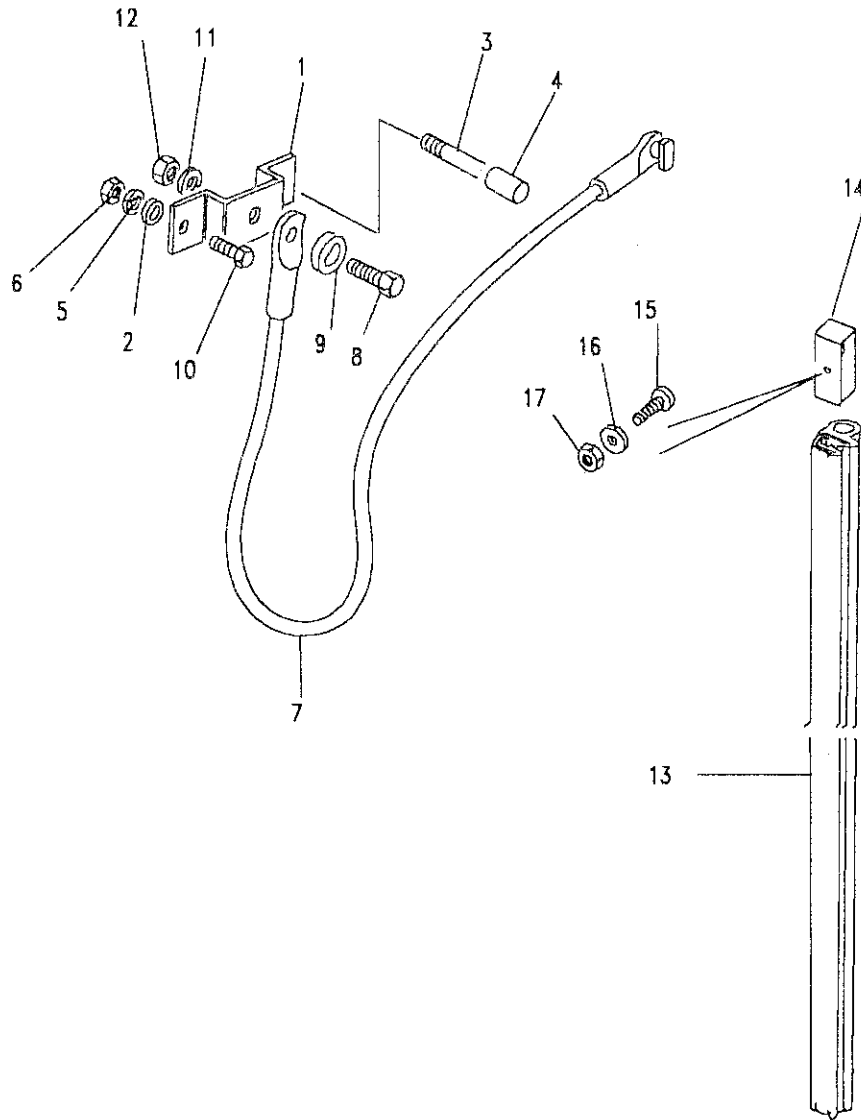
Model DEFENDER 110 1987 onwards  
Page AFNXKC4A

BODY - REAR BODY LOWER - NON STATION WAGON



III. Part No.	Description	Qty	Remarks
13	MUC8748 Antiluce cotter	2	
14	WA112081L Washer plain	2	
15	NY112041L Nut	2	
16	MUC8716 Angle protection RH	1	)Up to
	MUC8717 Angle protection LH	1	)March 1990
17	MXC8934 Angle protection RH	1	)From
	MXC8935 Angle protection LH	1	)March 1990
18	78248 Rivet	30	
19	MWC2938 Capping front panel	1	
20	RA612373L Rivet	39	
	MTC8334 Cover lower end	2	Germany
	RU608313L Rivet	2	Germany





Model DEFENDER 110 1987 onwards

Page AFNXKC5A

BODY - REAR BODY LOWER - NON STATION WAGON

III. Part No.	Description	Qty	Remarks
1	MUC8759	2	Bracket cable
2	FS106167L	4	Screw
3	RRC5533	2	Stud
4	RRC5677	2	Cap
5	WL106001L	4	Washer spring
6	NH106041L	4	Nut
7	RRC5539	2	Cable tailboard
8	FS108251L	2	Screw
9	WC108051L	2	Washer plain
10	NT108041L	2	Nut
11	WA108051L	2	Washer plain
12	FN108041L	2	Nut
	WC108051L	2	Washer plain
	NT108041L	2	Nut
13	MTC4164	1	Seal RH
	MTC4165	1	Seal LH
14	332146	2	Buffer tailboard
15	SP104121	2	Screw
16	WC104001L	2	Washer plain
17	NH104041L	2	Nut



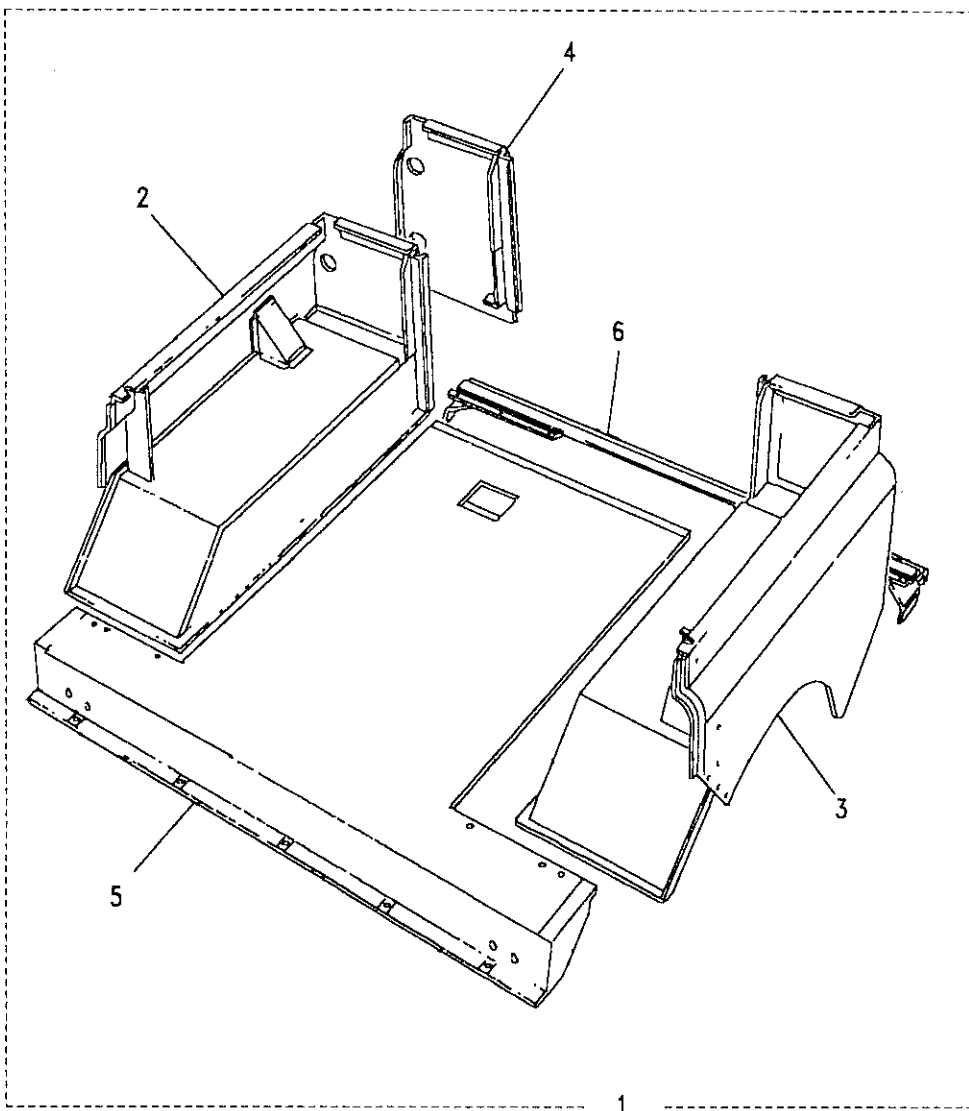


Model DEFENDER 110 1987 onwards

Page AFNXKE1A

BODY - REAR BODY LOWER - STATION WAGON

III. Part No.	Description	Qty	Remarks
1 MWC6143	Body rear lower assembly	1	Up to LA939975
ALR5987	Body rear lower assembly	1	From MA939976
2 MTC7886	Bodyside & wheelarch RH	1	
MTC7887	Bodyside & wheelarch LH	1	
3 RTC6291	Panel bodyside RH	1	
MRC5071	Panel bodyside LH	1	
4 MTC7980	Panel rear end RH	1	
MTC7981	Panel rear end LH	1	
5 MWC6145	Floor	1	
6 MTC1039	Angle mounting rear	1	
78248	Rivet	A/R	
RU612373L	Rivet	A/R	



Model DEFENDER 110 1987 onwards  
 Page AFNXKE2A

**BODY - REAR BODY LOWER - STATION WAGON**

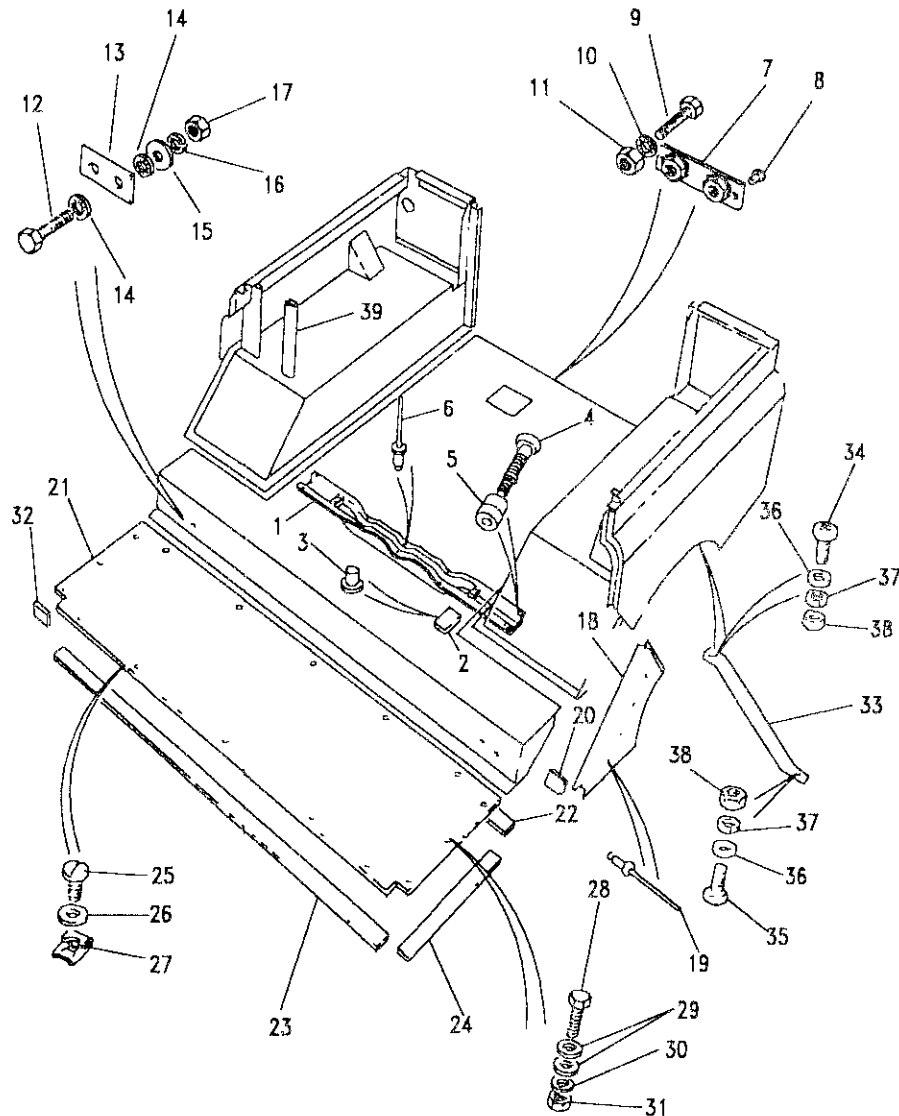
III. Part No.	Description	Qty	Remarks
1	MUC8949	4	Crossmember
2	332582	8	Pad mounting
3	RU612373L	16	Rivet
4	79283	A/R	Pin
	79293	A/R	Pin
5	79289	A/R	Collar
6	78248	24	Rivet
7	MRC8736	3	Nut plate
8	RB610082	6	Rivet

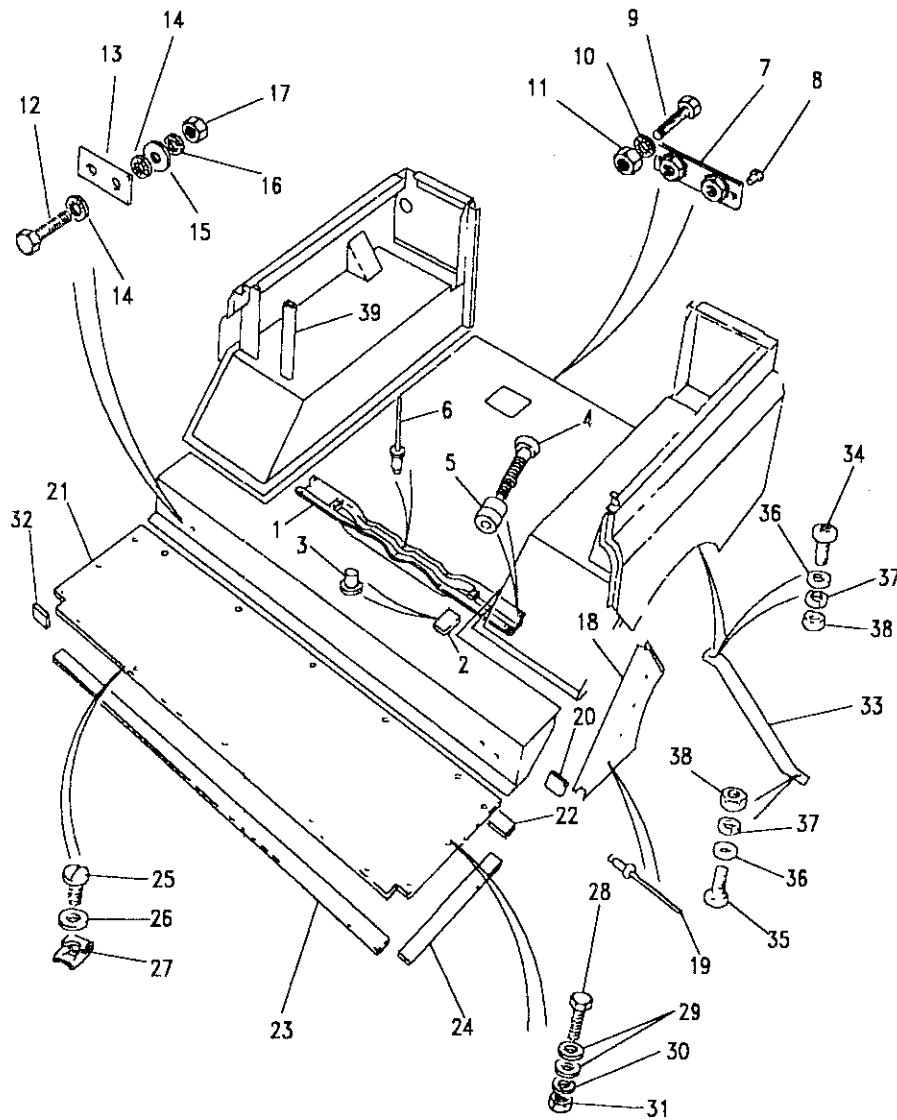
**Body to chassis at rear**

9	SX108251	10	Screw	
	SE108251	10	Screw	Germany
10	WF600051L	14	Washer shakeproof	
11	FN108041L	10	Nut	

**Rear heelboard to chassis**

12	SH108401L	4	Screw	
13	305232	10	Shim	
14	WF600051L	8	Washer shakeproof	
15	AFU1079	4	Washer plain	
16	WC108051L	4	Washer spring	
17	FN108041L	4	Nut	





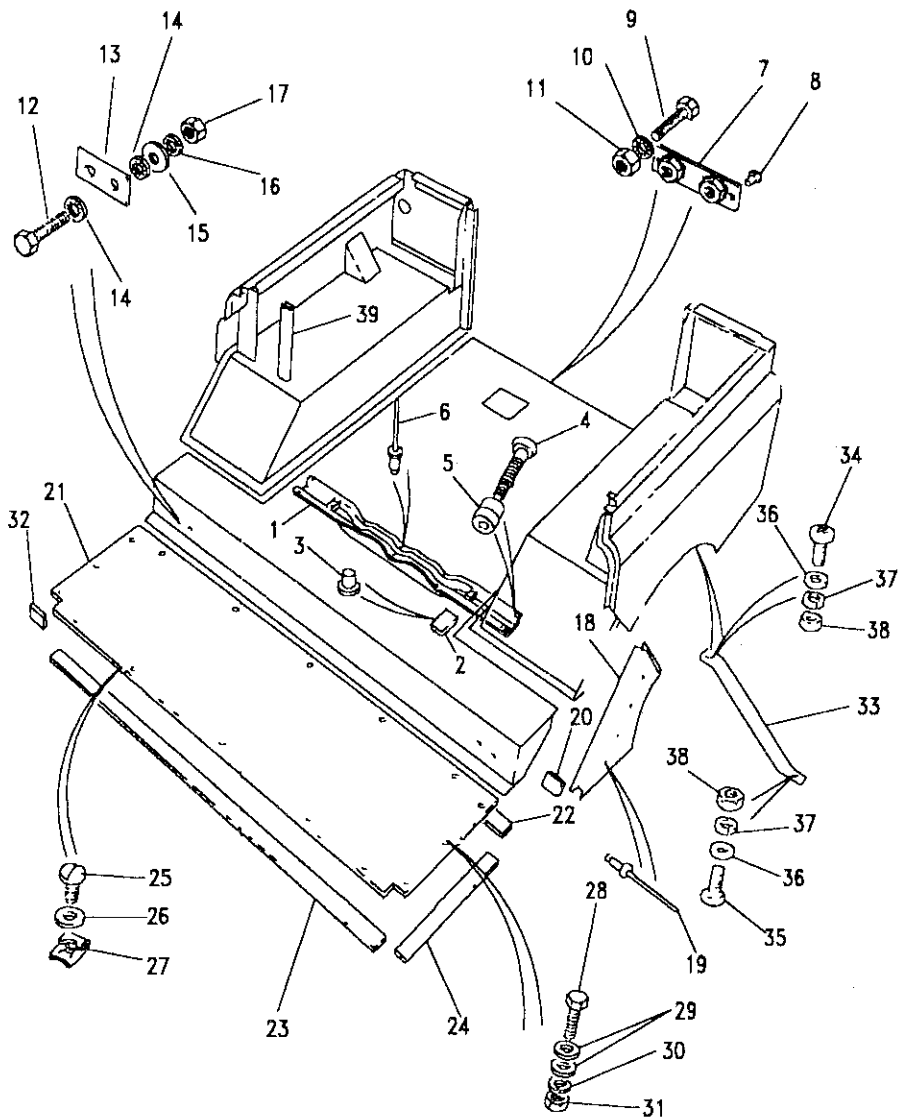
Model DEFENDER 110 1987 onwards

Page AFNXKE2A

**BODY - REAR BODY LOWER - STATION WAGON**

Ill. Part No.	Description	Qty	Remarks
<b>Front mounting member to chassis</b>			
FS108207L	Screw	8	
WA108051L	Washer plain	8	
WL108001L	Washer spring	8	
FN108041L	Nut	8	
<b>Defender 110</b>			
18 MRC6436	Panel extension RH	1	
MRC6437	Panel extension LH	1	
<b>Defender 130</b>			
18 RRC6216	Panel extension RH	1	
RRC6215	Panel extension LH	1	
19 78248	Rivet	22	
20 333263	Seal	2	
21 RTC6270	Floor intermediate	1	
22 MRC8626	Seal toe panel	1	
23 MRC8626	Seal heelboard	1	
24 MRC8626	Seal sill	2	
<b>Floor to heelboard and toe panel</b>			
25 320045	Bolt	6	
26 MRC5527	Washer plain	6	
27 302532	Nut spire	6	





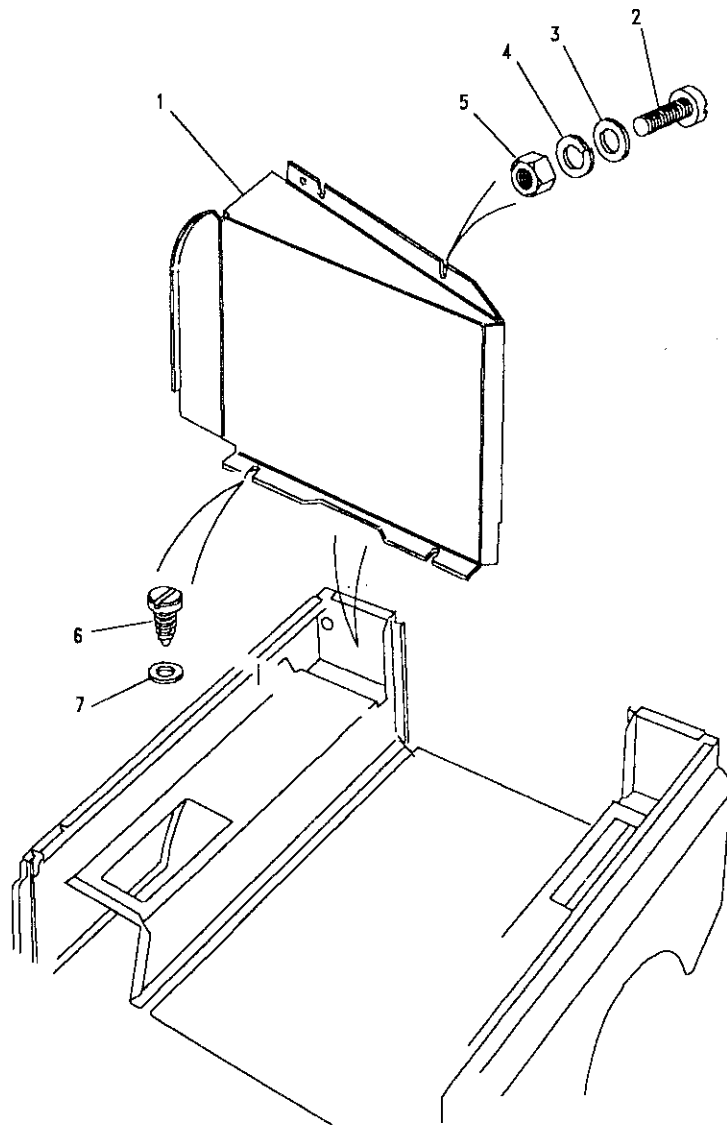
**Model** DEFENDER 110 1987 onwards  
**Page** AFNXKE2A

**BODY - REAR BODY LOWER - STATION WAGON**

III. Part No.	Description	Qty	Remarks
<b>Floor to sill</b>			
28	FS106201L	6	Flange screw
29	MRC5527	12	Washer plain
30	WM106001L	6	Washer spring
31	NH106041L	6	Nut
32	333745	2	Seal
33	MRC6027	1	Stay RH
	MRC6028	1	Stay LH
34	SE106201L	2	Screw
35	FS106201L	2	Flange screw
36	WA106041L	4	Washer plain
37	WL106001L	4	Washer spring
38	NH106041L	4	Nut
<b>Finisher - D post waist stiffener - Germany</b>			
39	MTC7513	A/R	Strip edging







Model DEFENDER 110 1987 onwards

Page AFNXKE3A

BODY - REAR BODY LOWER - STATION WAGON

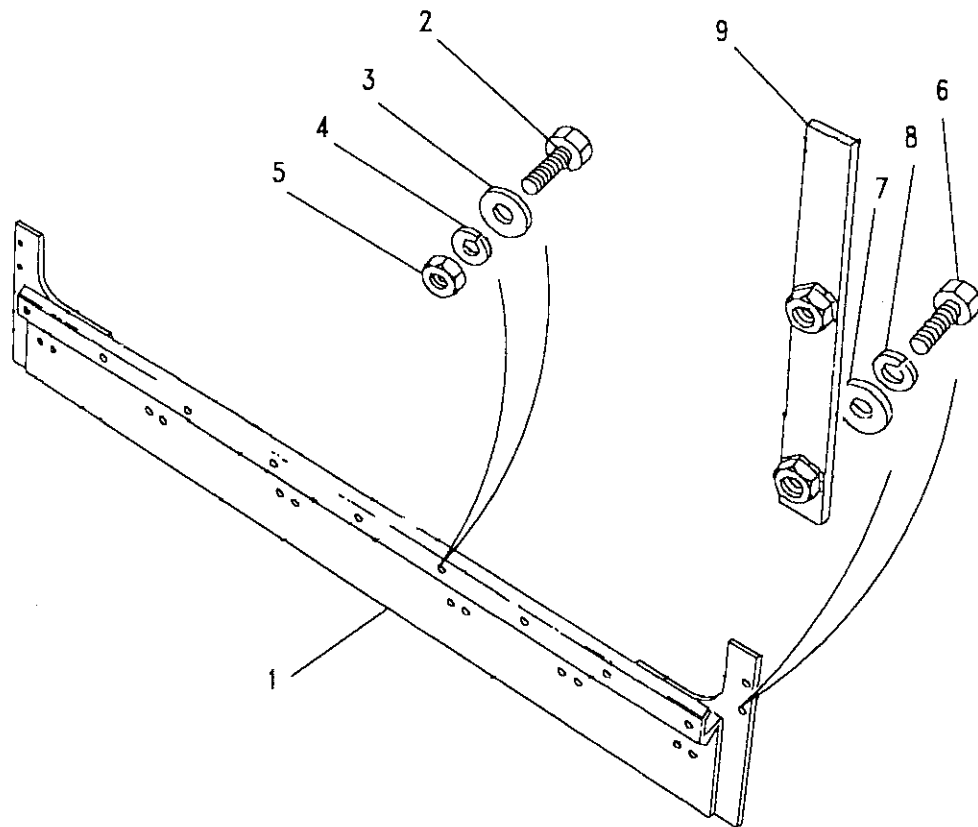
III. Part No.	Description	Qty	Remarks
<b>Cover Panels - Rear Lamps</b>			
1	MTC7878	1	Panel cover RH
	MTC7879	1	Panel cover LH
2	SP105121	4	Screw
3	WC105001L	4	Washer plain
4	WL105001L	4	Washer spring
5	NM1050H	4	Nut
6	AB608031L	4	Screw
7	WC105001L	4	Washer plain





Model DEFENDER 110 1987 onwards  
Page AFNXKE4A

BODY - REAR BODY LOWER - STATION WAGON



Ill. Part No.	Description	Qty	Remarks
1	395413 Toe panel gusset bracket	1	
<b>Toe panel to seat base</b>			
2	SH106201 Bolt	2	
	SH106161 Bolt	7	
3	RTC609 Washer plain	9	
4	WM600051L Washer spring	9	
5	NH106041L Nut	9	
6	SH106161 Bolt	4	
7	WC106041L Washer plain	4	
8	WM106001 Washer spring	4	
9	MRC9388 Nut plate	2	

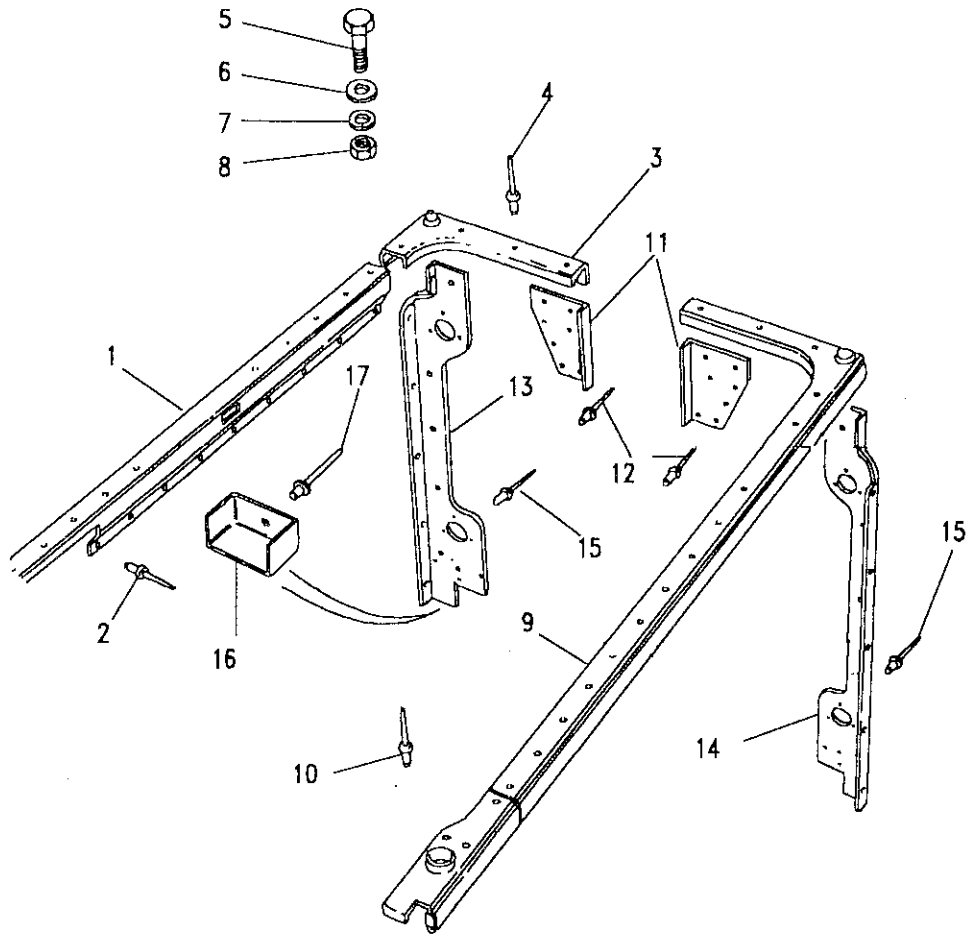




Model DEFENDER 110 1987 onwards

Page AFNXKE5A

BODY - REAR BODY LOWER - STATION WAGON



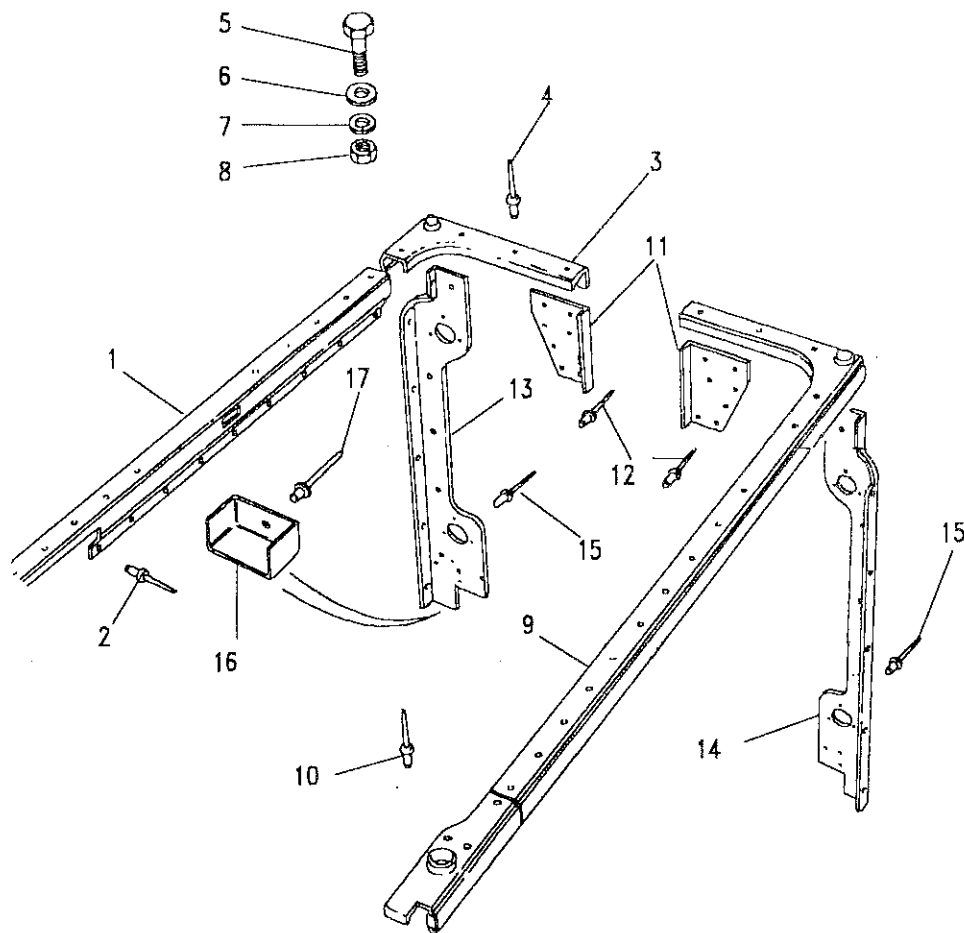
Ill. Part No.	Description	Qty	Remarks
1	RTC5066	1	Upto 314075
	RTC5067	1	Upto 314075
	MWC4662	1	From 314076
	MWC4663	1	From 314076
2	78248	32	
3	MWC3316	1	Corner capping RH
	MWC3317	1	Capping bodyside
4	RA612373L	12	Rivet
	78248	12	Rivet
5	FS106201L	2	Flange screw
6	WA106001L	4	Washer plain
7	WL106001L	2	Washer spring
8	NH106041L	2	Nut
9	MXC5968	1	Capping RH
	MXC5969	1	Capping LH
10	78248	38	Rivet
	RU612373L	6	Rivet





Model DEFENDER 110 1987 onwards  
 Page AFNXKE5A

BODY - REAR BODY LOWER - STATION WAGON



III. Part No.	Description	Qty	Remarks
11 MUC9154	Corner Bracket RH	1	
MUC9155	Corner Bracket LH	1	
12 78248	Rivet	6	
13 MUC8716	Angle protection RH	1	)Up to
MUC8717	Angle protection LH	1	)March 1990
14 MXC8934	Angle protection RH	1	)From March 1990
MXC8935	Angle protection LH	1	)Up to LA939975
ALR7128	Angle protection RH	1	)From
ALR7129	Angle protection LH	1	)MA939976
15 78248	Rivet	24	
16 MTC8334	Cover lower end	2	Germany
17 RU608313L	Rivet	2	Germany





DEFENDER 110 1987 onwards

844

BODY AND CHASSIS

**Model** DEFENDER 110 1987 onwards

**Page** AFNXKG1A

**BODY - REAR BODY LOWER - HIGH CAPACITY PICK UP**

**III. Part No.**

**Description**

**Qty Remarks**

**Defender 110**

1 MTC3902  
ALR6708

Body rear lower assembly  
Body rear lower assembly

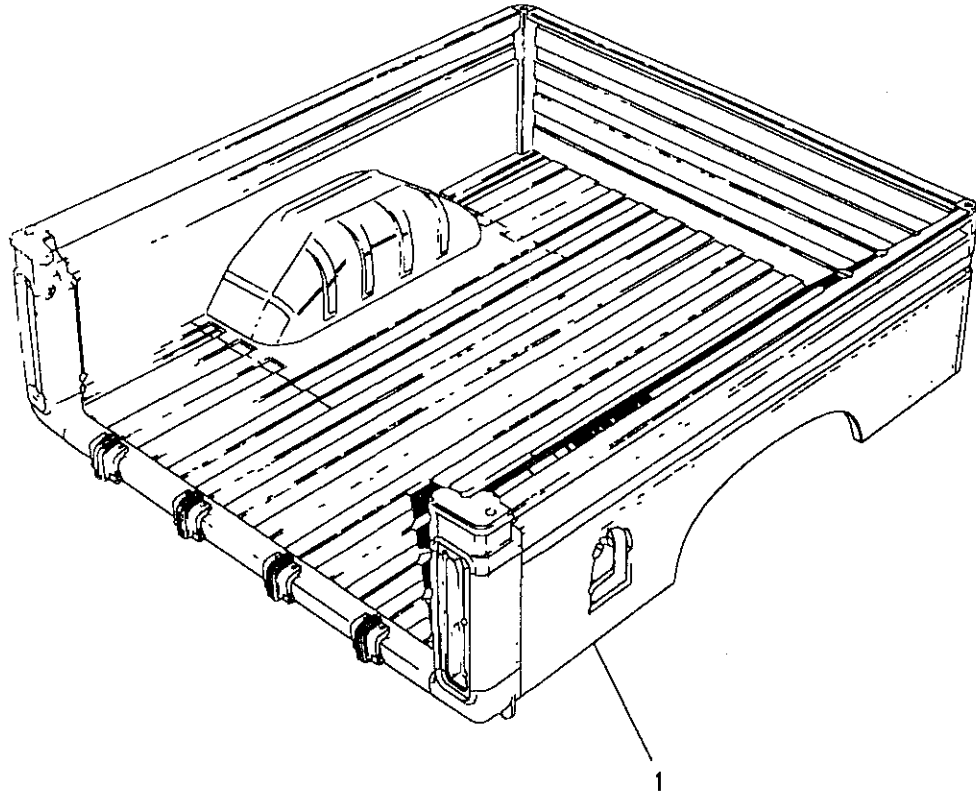
1 Up to LA939975  
1 From MA939976

**Defender 130**

1 RRC6292

Body rear lower assembly

1



Model DEFENDER 110 1987 onwards

Page AFNXKG2A

**BODY - REAR BODY LOWER - HIGH CAPACITY PICK UP**

III. Part No. Description Qty Remarks

**Defender 110**

1 MTC3538 Floor 1

**Defender 130**

1 RRC6296 Floor 1

2 MTC1409 Bulkhead 1

3 RU612183 Rivet 15

4 ACU3777 Monobolt 16

**Defender 110**

5 MTC1595 Pad mounting 12

**Defender 130**

5 RRC2443 Pad mounting 2

6 RJ612433 Rivet 24

7 MTC3569 Cowl fuel filler 1

8 RA612373L Rivet 4

9 WA105001L Washer plain 4

10 MTC1461 Cover fuel filler 1

11 MTC1462 Seal 1

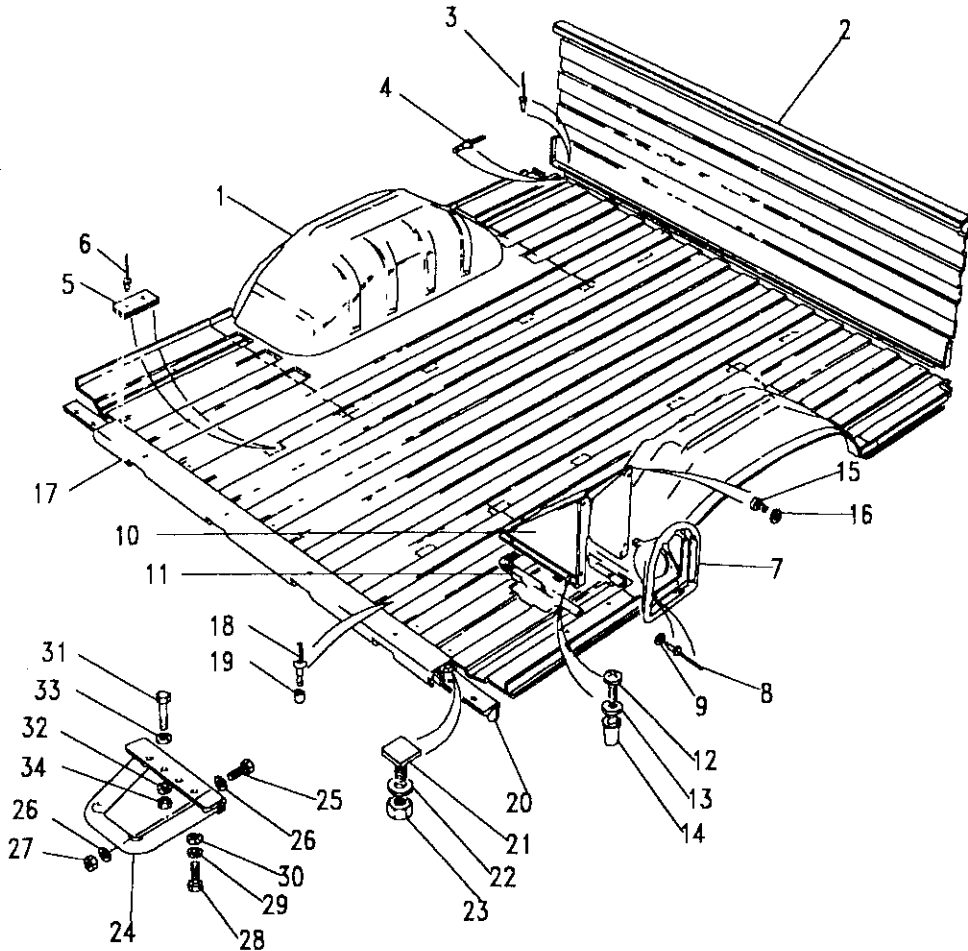
12 SE106161L Screw 4

13 WA106041L Washer plain 4

14 MR106300 Rivnut 4

15 AR606031L Screw 5

16 WA104001L Washer plain 5



Model DEFENDER 110 1987 onwards

Page AFNXKG2A

**BODY - REAR BODY LOWER - HIGH CAPACITY PICK UP**

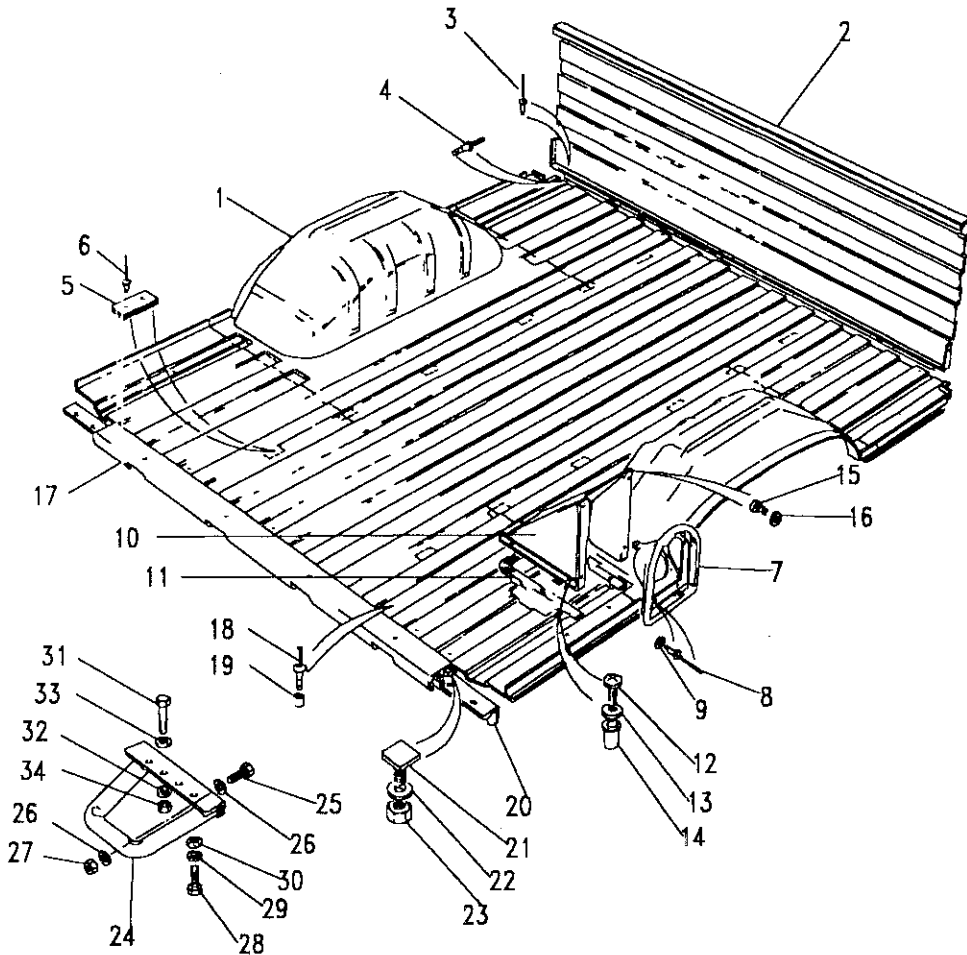
III. Part No.	Description	Qty	Remarks
17	MTC3521	1	Crossmember
18	AAU6919	12	Bolt avdelok
19	AAU6774	12	Collar
20	MTC4156	1	Angle reinforcing
21	MTC3558	4	Tee bolt
22	WA108051L	4	Washer plain
23	FN108041L	4	Nut
24	MTC3126	1	Bump Stop RH
	MTC3127	1	Bump Stop LH
	NTC5279	1	Bump Stop RH
	NTC5278	1	Bump Stop LH

**Bump stop to angle**

25	FS108251L	4	Screw
26	WA108051L	8	Washer plain
27	FN108041L	4	Nut

**Bump stop to body pillar**

28	FS108251L	2	Screw
29	WL108001L	2	Washer spring
30	WA108051L	2	Washer plain





Model DEFENDER 110 1987 onwards  
Page AFNXKG2A

**BODY - REAR BODY LOWER - HIGH CAPACITY PICK UP**

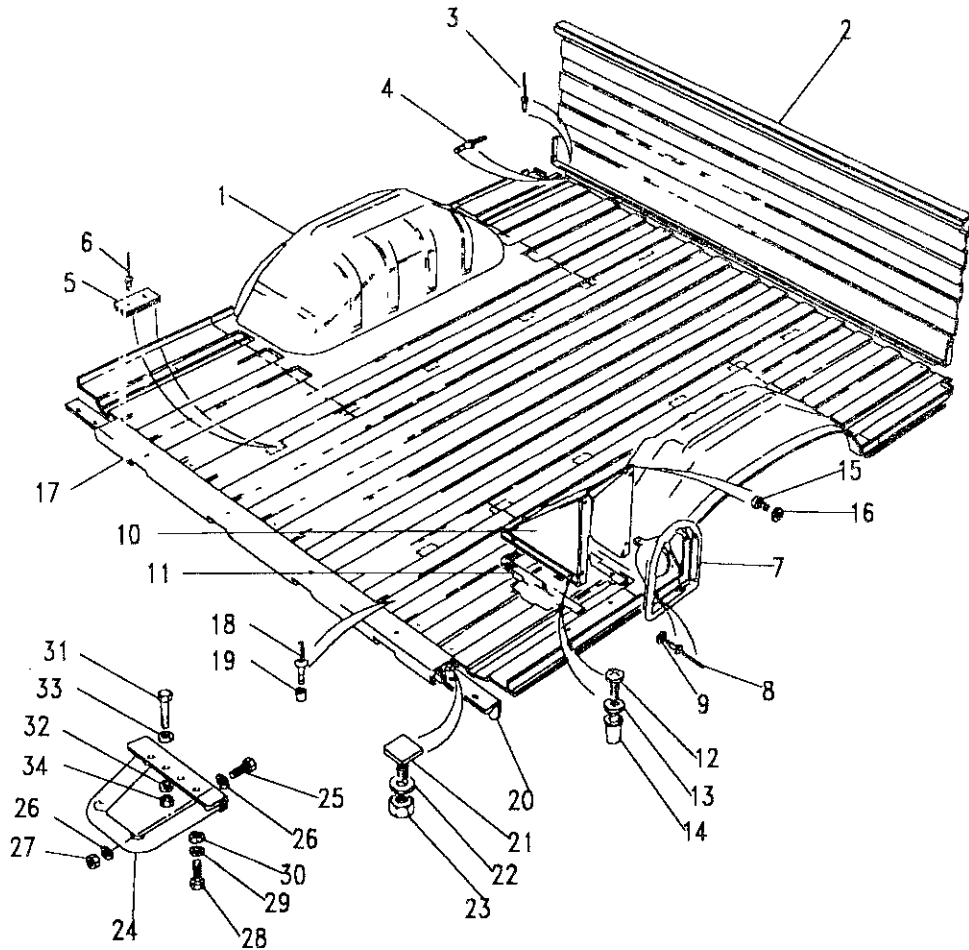
III. Part No. Description Qty Remarks

**Bump stop to body**

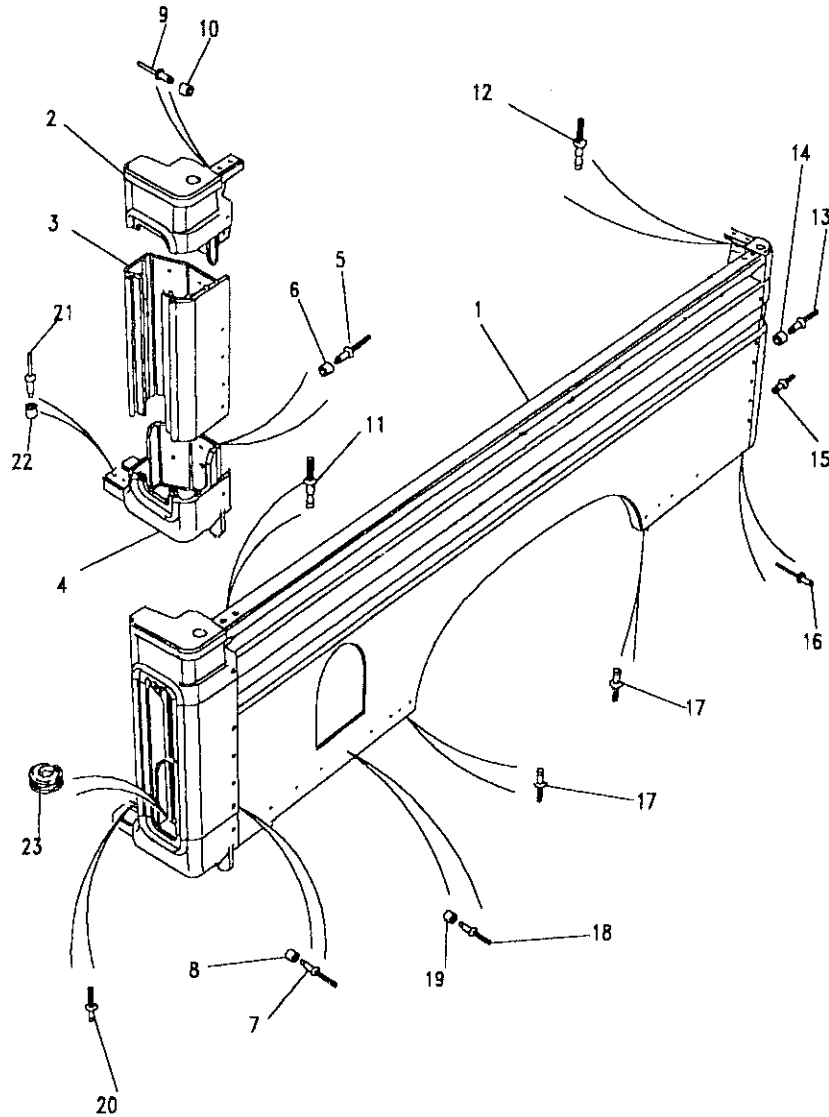
31	FB108121L	Flange bolt	2
32	WL108001L	Washer spring	2
33	WA108051L	Washer plain	2
34	FN108041L	Nut	2

**Defender 130**  
RRC6287

Crossmember body mounting	1	From 15-11-88
---------------------------	---	---------------







Model DEFENDER 110 1987 onwards

Page AFNXKG3A

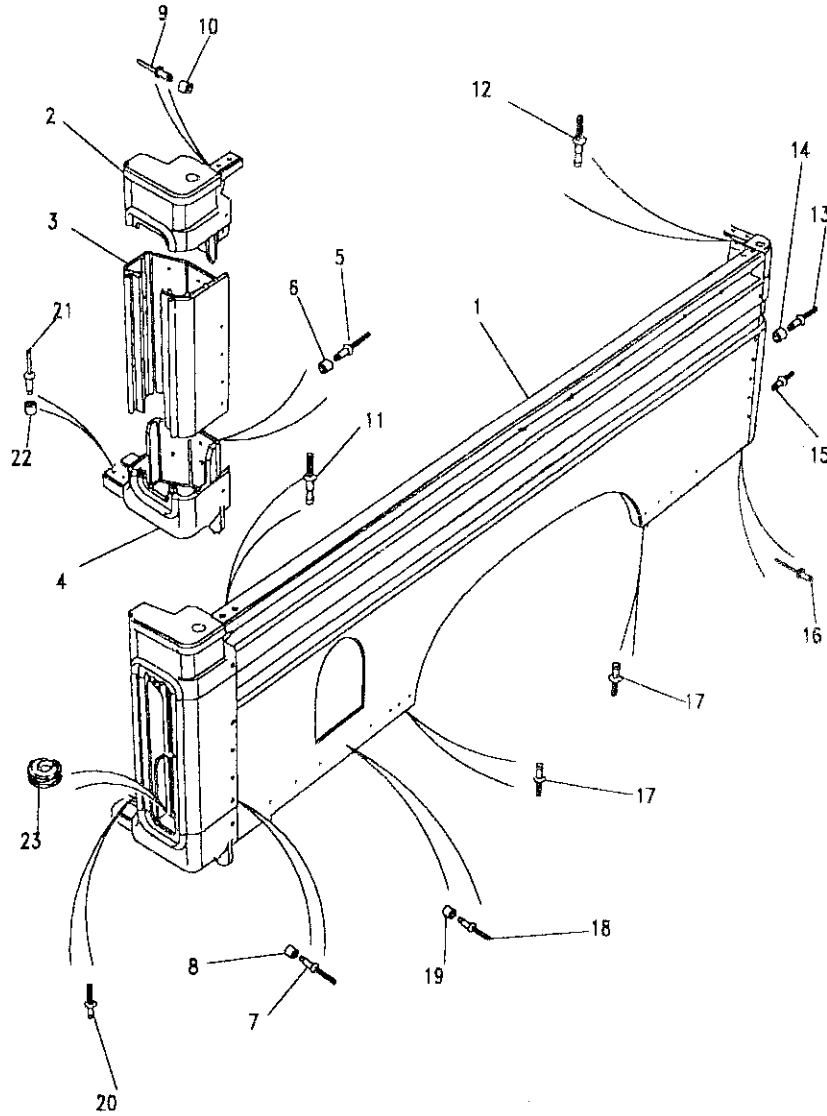
BODY - REAR BODY LOWER - HIGH CAPACITY PICK UP

III. Part No.	Description	Qty	Remarks
1	MTC3906	1	)Up to
	MTC3907	1	)LA939975
	ALR5506	1	)From
	ALR5507	1	)MA939976
	RRC6304	1	Defender 130
	RRC6305	1	Defender 130
2	MTC5038	1	
	MTC5039	1	
3	MTC1479	2	
4	MTC1481	1	
	MTC1482	1	
5	ACU3530	16	
6	AAU6774	16	
7	ACU1161	12	
8	AAU6774	12	
9	ACU3530	4	
10	AAU6774	4	
11	ACU1762	4	
12	ACU1762	4	
13	ACU2063	2	
	AAU8182	6	
14	AAU6774	8	
15	ACU3777	6	
	AFU1841	2	
16	RU612183	8	
17	ACU3777	22	



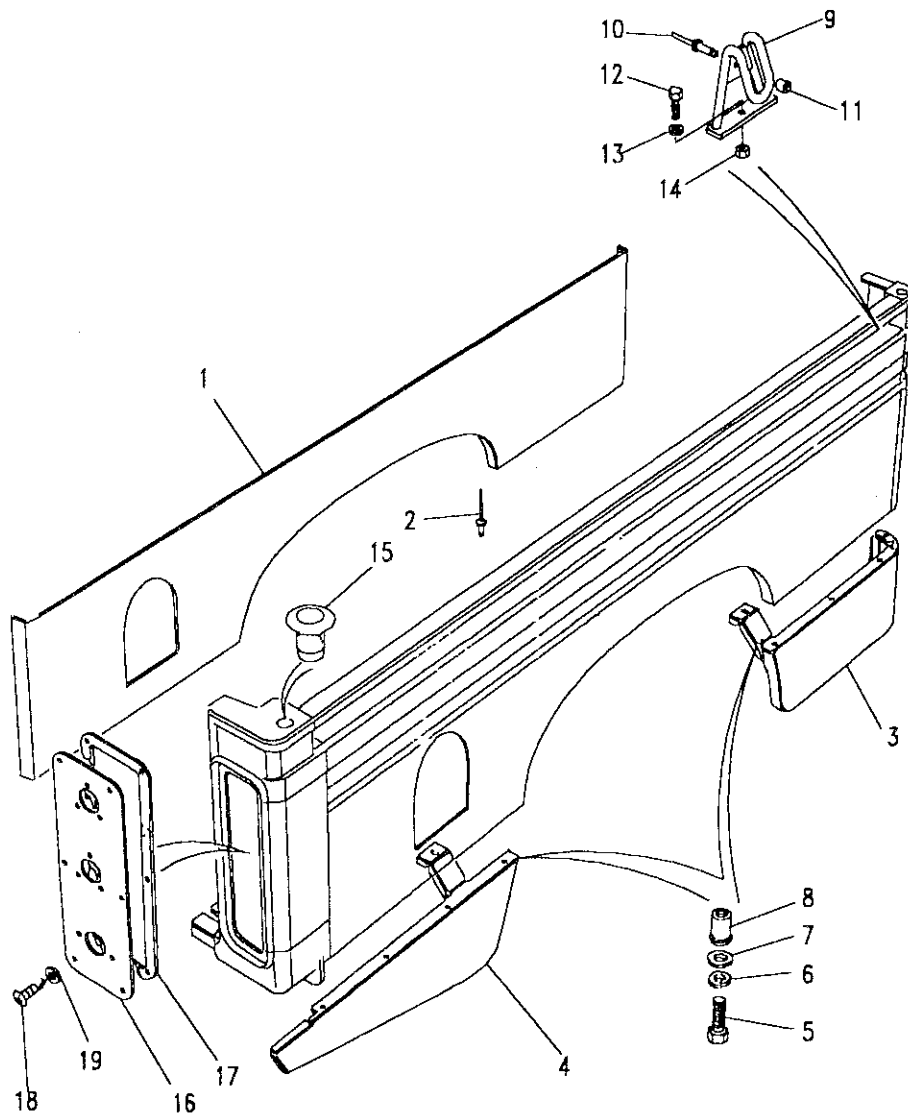
Model DEFENDER 110 1987 onwards  
Page AFNXKG3A

BODY - REAR BODY LOWER - HIGH CAPACITY PICK UP



III. Part No.	Description	Qty	Remarks
18 ACU1161	Bolt avdelok	58	
19 AAU6774	Collar	58	
20 ACU1762	Monobolt	4	
21 AAU6920	Bolt avdelok	4	
22 AAU6774	Collar	4	
23 3H822L	Grommet	2	





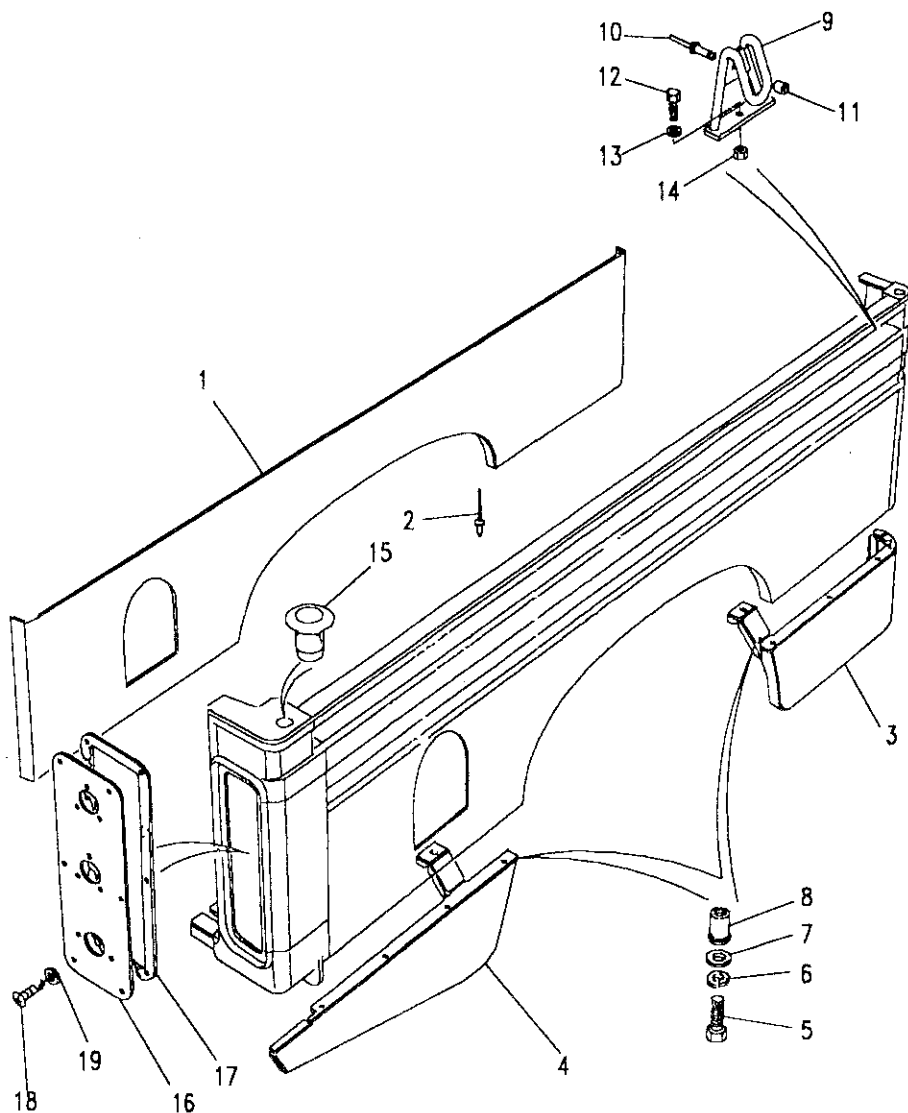
Model DEFENDER 110 1987 onwards

Page AFNXKG4A

**BODY - REAR BODY LOWER - HIGH CAPACITY PICK UP**

III. Part No.	Description	Qty	Remarks
<b>Defender 110</b>			
1 MTC3533	Panel inner RH	1	
MTC3534	Panel inner LH	1	
<b>Defender 130</b>			
1 RRC6294	Panel inner RH	1	
RRC6293	Panel inner LH	1	
2 RU612183	Rivet	58	
<b>Defender 110</b>			
3 MTC7480	Panel valance front RH	1	
MTC7481	Panel valance front LH	1	
<b>Defender 130</b>			
3 RRC6362	Panel valance front RH	1	
RRC6363	Panel valance front LH	1	
MTC7482	Panel valance rear RH	1	
MTC7483	Panel valance rear LH	1	
5 FS106201L	Flange screw	20	
6 WL106001	Washer spring	20	
7 WA106041L	Washer plain	20	
8 NN106021	Nut anchor	20	
9 MTC1439	Lashing bracket	6	
10 ACU3530	Bolt avdelok	6	
11 AAU6774	Collar	6	





**Model** DEFENDER 110 1987 onwards

**Page** AFNXKG4A

**BODY - REAR BODY LOWER - HIGH CAPACITY PICK UP**

III. Part No.	Description	Qty	Remarks
12 SH106141L	Screw	6	
13 WL106001L	Washer spring	6	
14 NH106041L	Nut	6	
15 MTC1594	Plug	2	

**Vehicles with fog lamp only or reverse lamp only**

16 MTC3350	Plate lamp mounting	2	Up to LA939975
ALR5330	Plate lamp mounting	1	From MA939976

**Vehicles with both fog lamp and reverse lamp**

MTC3515	Plate lamp mounting	1	Up to LA939975
ALR5329	Plate lamp mounting	1	From MA939976
17 MTC1448	Seal	2	
18 AR610051L	Screw	12	
19 WA105001L	Washer plain	12	

**Germany**

MTC7511	Capping corner LH	1	Rear valance
MTC7512	Capping corner RH	1	rear valance



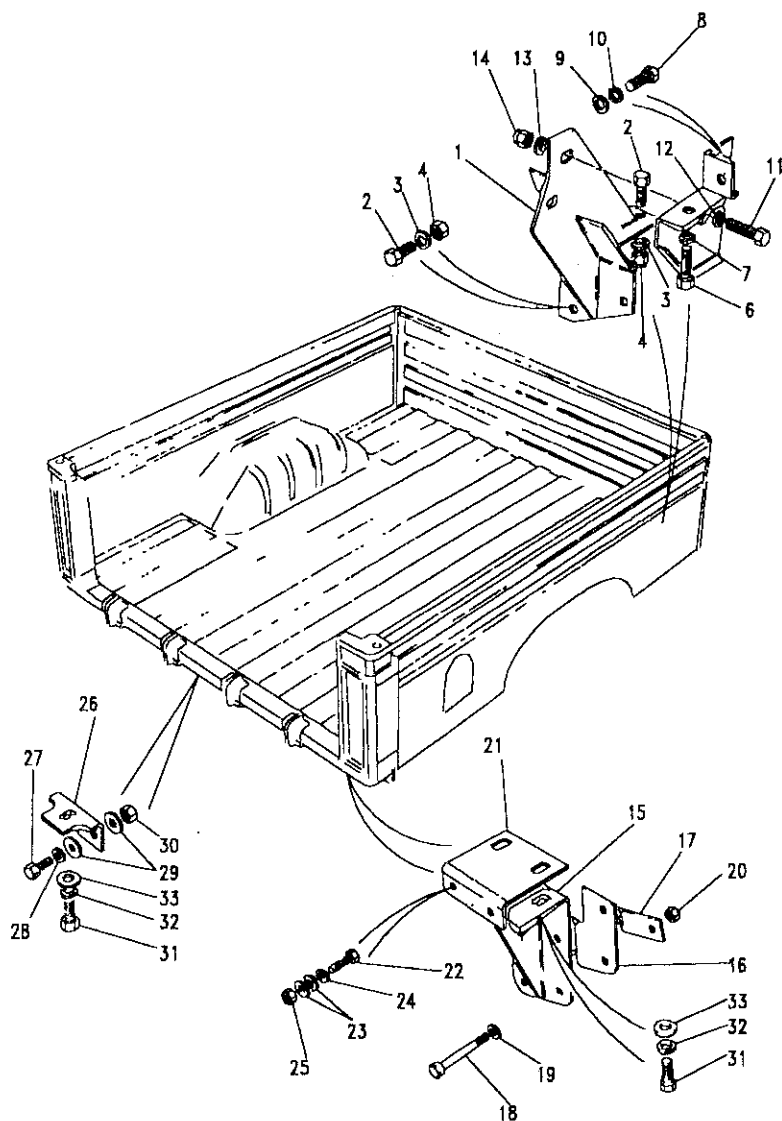


Model DEFENDER 110 1987 onwards

Page AFNXKG5A

## BODY - REAR BODY LOWER - HIGH CAPACITY PICK UP

III. Part No.	Description	Qty	Remarks
1	MTC3481	1	Bracket mounting front RH
	MTC3482	1	Bracket mounting front LH
<b>Front mounting bracket to chassis</b>			
2	SH110251L	6	Screw
3	WA110061L	6	Washer plain
4	NY110041L	6	Nut
5	MTC3486	2	Bracket anchor front
<b>Anchor bracket to body</b>			
6	SH110301L	2	Screw
7	WL110001L	2	Washer spring
8	SH110251L	2	Screw
9	WA110061L	2	Washer plain
10	WL110001L	2	Washer spring
<b>Anchor bracket to front mounting bracket</b>			
11	SH110251L	4	Screw
12	WL110001L	4	Washer spring
13	WA110061L	4	Washer plain
14	NY110041L	4	Nut
15	MTC4992	1	Bracket mounting rear RH
	MTC4993	1	Bracket mounting rear LH
16	MTC5086	2	Packing piece
17	MTC6154	4	Plate backing





**Model** DEFENDER 110 1987 onwards  
**Page** AFNXKG5A

**BODY - REAR BODY LOWER - HIGH CAPACITY PICK UP**

**Ill. Part No. Description Qty Remarks**

**Rear mounting bracket to chassis**

18	BH108141L	Bolt	8
19	WA108051L	Washer plain	8
20	FN108041L	Nut	8
21	MTC4002	Bracket mounting outer	2

**Outer mounting bracket to body**

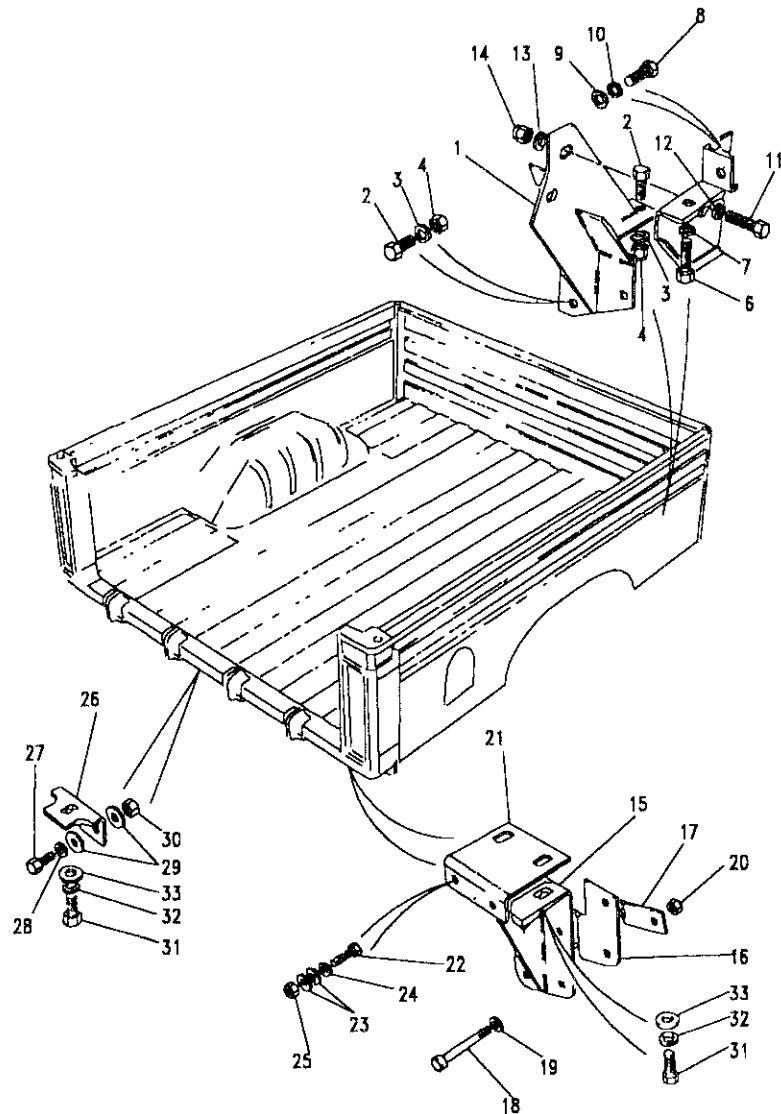
22	FS108207L	Screw	4
23	WA108051L	Washer plain	8
24	WL108001L	Washer spring	4
25	FN108041L	Nut	4
26	MTC4003	Bracket mounting inner	3

**Inner mounting bracket to chassis**

27	FS108207L	Screw	6
28	WL108001L	Washer spring	6
29	WA108051L	Washer plain	6
30	FN108041L	Nut	6

**Inner mounting bracket to body**

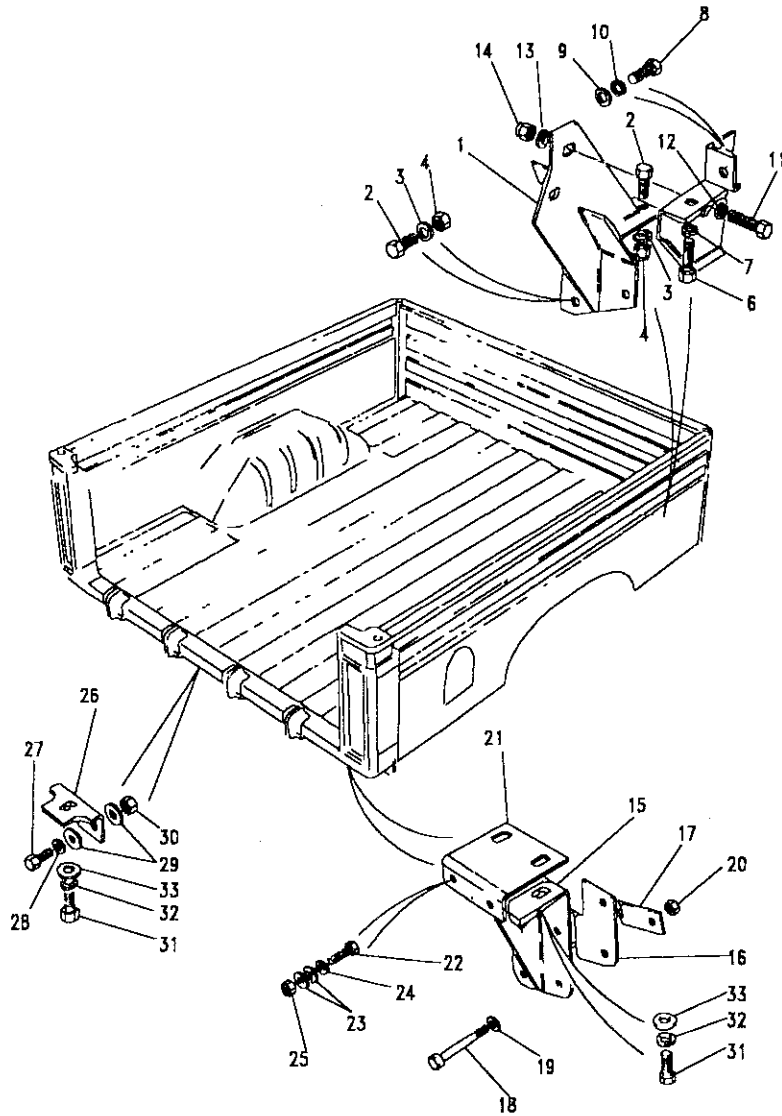
31	SH110301L	Screw	7
32	WL110001L	Washer spring	7
33	WA110061L	Washer plain	7

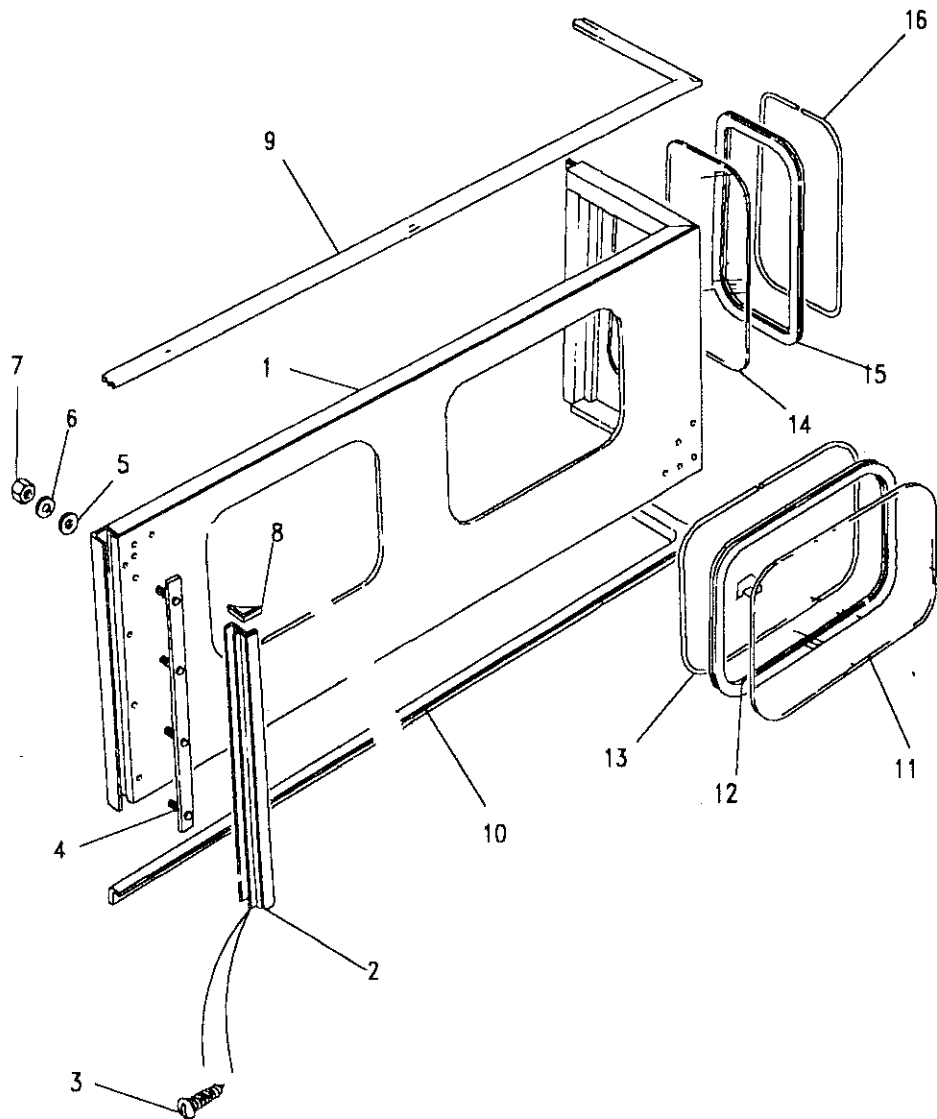


**Model** DEFENDER 110 1987 onwards  
**Page** AFNXKG5A

**BODY - REAR BODY LOWER - HIGH CAPACITY PICK UP**

III. Part No.	Description	Qty	Remarks
Defender 130			
RRC6168	Angle mounting	3	
RRC6154	Angle mounting	1	
RRC6155	Angle mounting	1	
RRC6169	Bracket mounting front	2	
RRC2440	Bracket mounting body	4	





**Model** DEFENDER 110 1987 onwards  
**Page** AFNXLC1A

**BODY - REAR BODY UPPER - HARD TOP**

III. Part No.	Description	Qty	Remarks
<b>Apertures-Rear end and fixed side window</b>			
1 MWC9418	Panel bodyside upper RH	1	
MTC4412	Panel bodyside upper LH	1	Upto FA
MWC9419	Panel bodyside upper LH	1	From FA
<b>Aperture-Rear end window only</b>			
1 MWC9420	Panel bodyside upper RH	1	
MWC9421	Panel bodyside upper LH	1	
<b>Apertures-Rear end and sliding side window</b>			
1 ALR2302	Panel bodyside upper RH	1	
ALR2303	Panel bodyside upper LH	1	



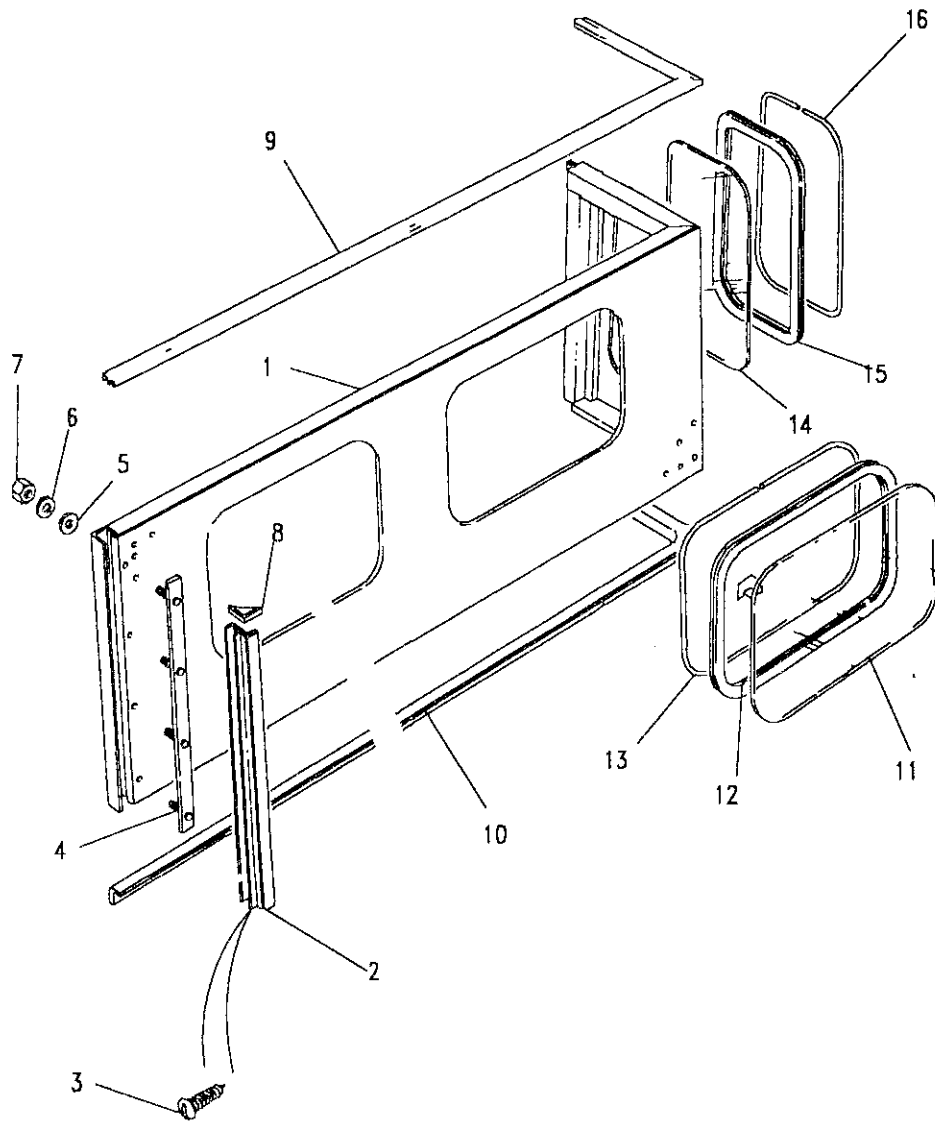


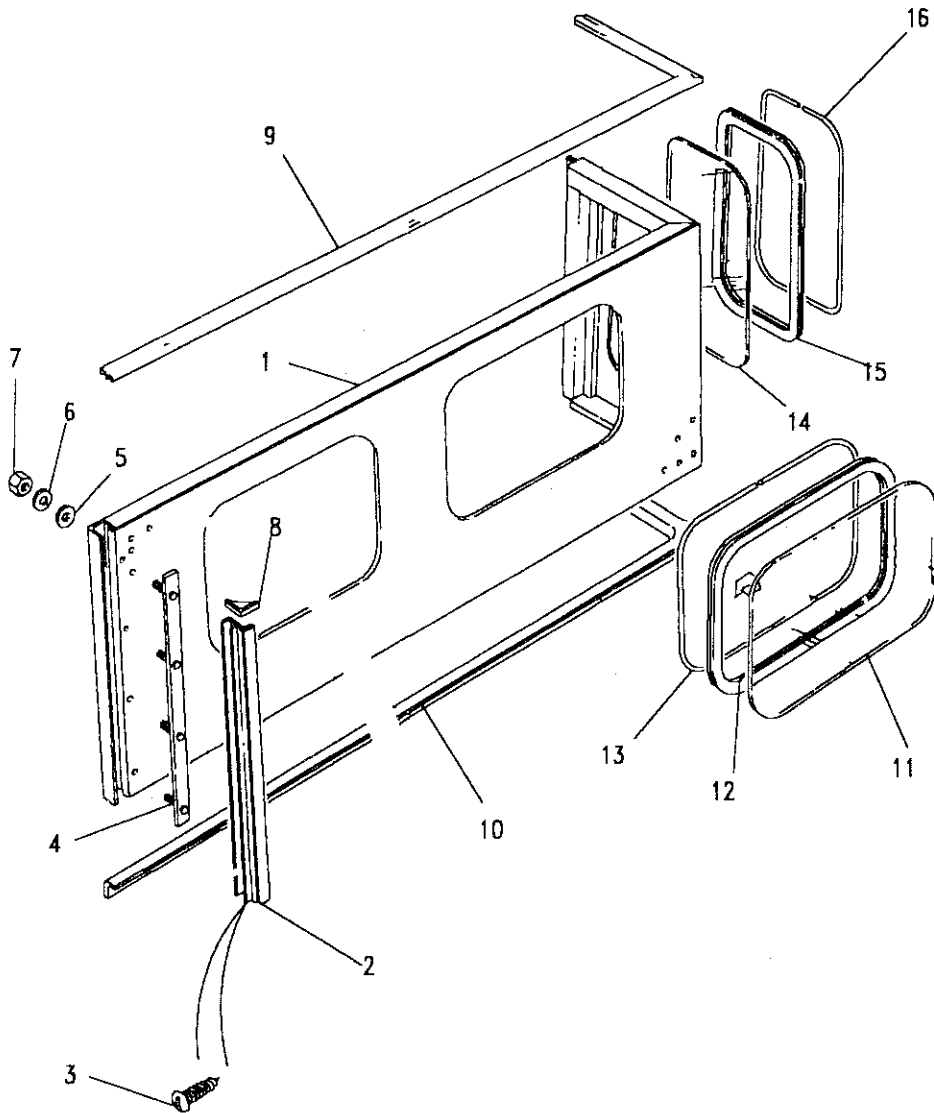


Model DEFENDER 110 1987 onwards  
Page AFNXC1A

**BODY - REAR BODY UPPER - HARD TOP**

III. Part No.	Description	Qty	Remarks
2	MTC5394	1	}
	MTC5395	1	
3	78832	6	}
	AFU1080	6	
4	MUC3566	2	)Upto FA
5	WA105001L	8	
6	WL105001L	8	}
7	NM105011	8	
8	332215	4	}
9	334610	1	
	334611	1	Upto FA
	MXC3680	1	}
	MXC3681	1	
	MXC3684	1	)From
	MXC3685	1	
10	333490	2	Upto FA
	MXC2033	2	From FA
	ALR1157	2	Upto HA479376
	ALR5054	2	From HA479377
			Upto KA925389
			From KA925390





**Model** DEFENDER 110 1987 onwards  
**Page** AFNXL1A

**BODY - REAR BODY UPPER - HARD TOP**

III. Part No.	Description	Qty	Remarks
<b>Fixed side window</b>			
11 MTC5312	Glass	4	Note(1)
MWC4717	Glass	4	Note(2)
12 302177	Glazing strip	4	Note(1)
MWC4771	Glazing strip	4	Note(2)
13 302178	Filler strip	4	
<b>Rear end window</b>			
14 MTC3476	Glass	2	Note(1)
MWC4715	Glass	2	Note(2)
15 306287	Glazing strip	2	Note(1)
MWC4772	Glazing strip	2	Note(2)
16 306289	Filler strip	2	
<b>Germany</b>			
MTC8333	Finisher 'D' post	2	
RU608313L	Screw	2	
MUC3810	Cover horizontal stiffner	2	Rear body

Note(1) 5mm glass - Upto 342383  
 Note(2) 4mm glass - From 342384

**Model** DEFENDER 110 1987 onwards

**Page** AFNXLG2A

**BODY - REAR BODY UPPER - HARD TOP**

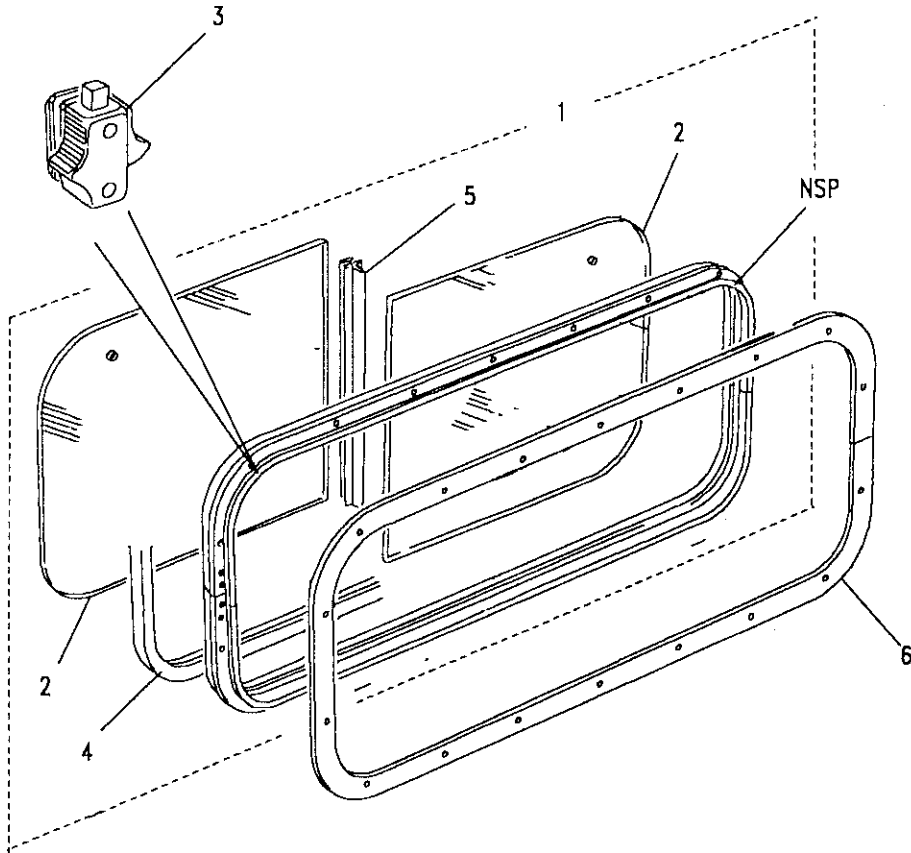
**III. Part No.**

**Description**

**Qty Remarks**

**Sliding side window assembly**

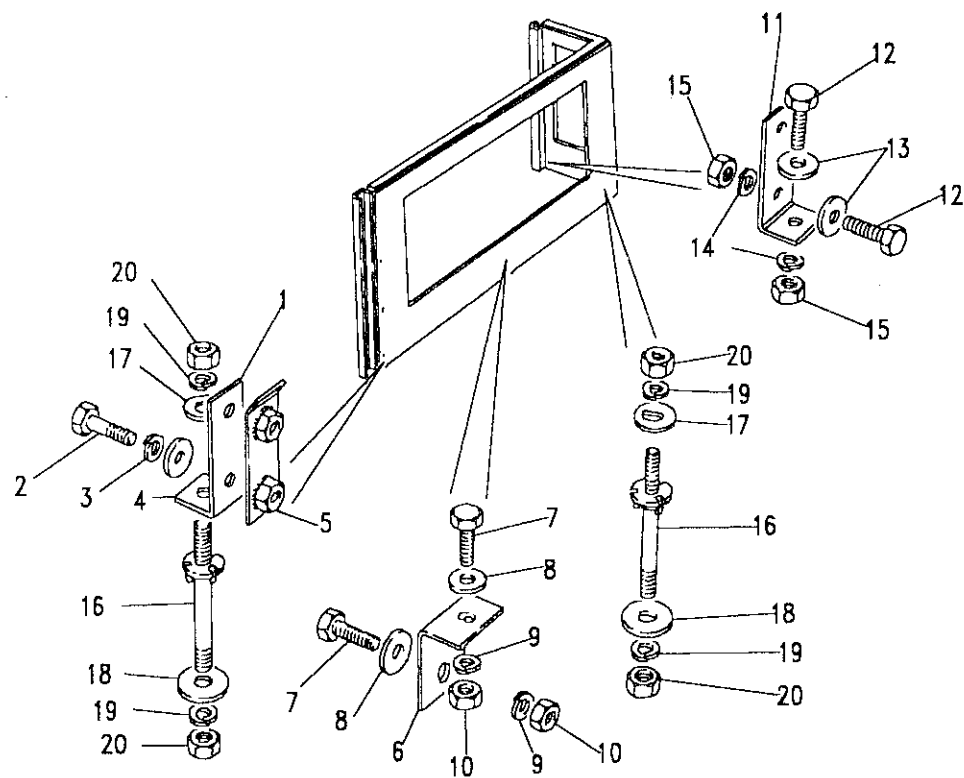
1	ZXC9386	Window assembly RH	2	Upto KA930143	
	ZXC9387	Window assembly LH	2	Upto KA930143	
	ALR5080	Window assembly RH	2	From KA930144	
	ALR5081	Window assembly LH	2	From KA930144	
2	MWC4726	Glass	8		
3	MWC7625	Catch LH	4		
	MWC7648	Catch RH	4		
4	MWC7620	Felt	8		
5	MWC7652	Seal draught rail	4		
6	MTC6232	Finisher window	4	Upto KA930143	09/
7	AS604044	Screw	72	Upto KA930143	
	RU610253	Rivet	72	From KA930144	





Model DEFENDER 110 1987 onwards  
Page AFNXLC3A

BODY - REAR BODY UPPER - HARD TOP

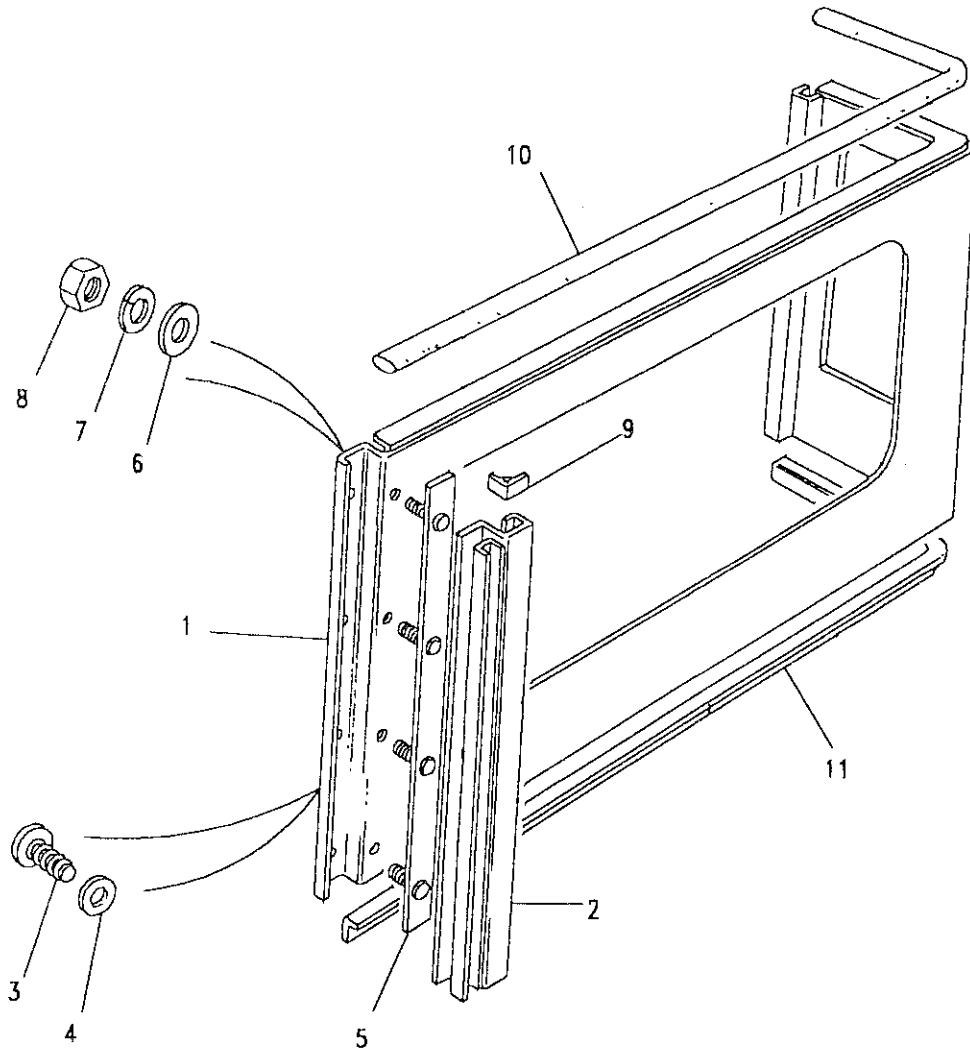


III. Part No.	Description	Qty	Remarks
1	338554	Angle mounting	2
2	SH108161L	Screw	4
3	WL108001L	Washer spring	4
4	WC108051L	Washer plain	4
5	MUC1324	Nut plate	2
6	332201	Bracket support	4
7	FS106201L	Flange screw	8
8	MRC5527	Washer plain	16
9	WL106001L	Washer spring	8
10	NH106041L	Nut	8
11	338552	Bracket support	2
12	FS106167L	Screw	6
13	MRC5525	Washer plain	8
14	WL106001L	Washer spring	6
15	NH106041L	Nut	6
16	MRC9833	Stud mounting	4
17	332293	Washer special	4
18	WC108051L	Washer plain	4
19	WL108001L	Washer spring	4
20	FN108041L	Nut	8



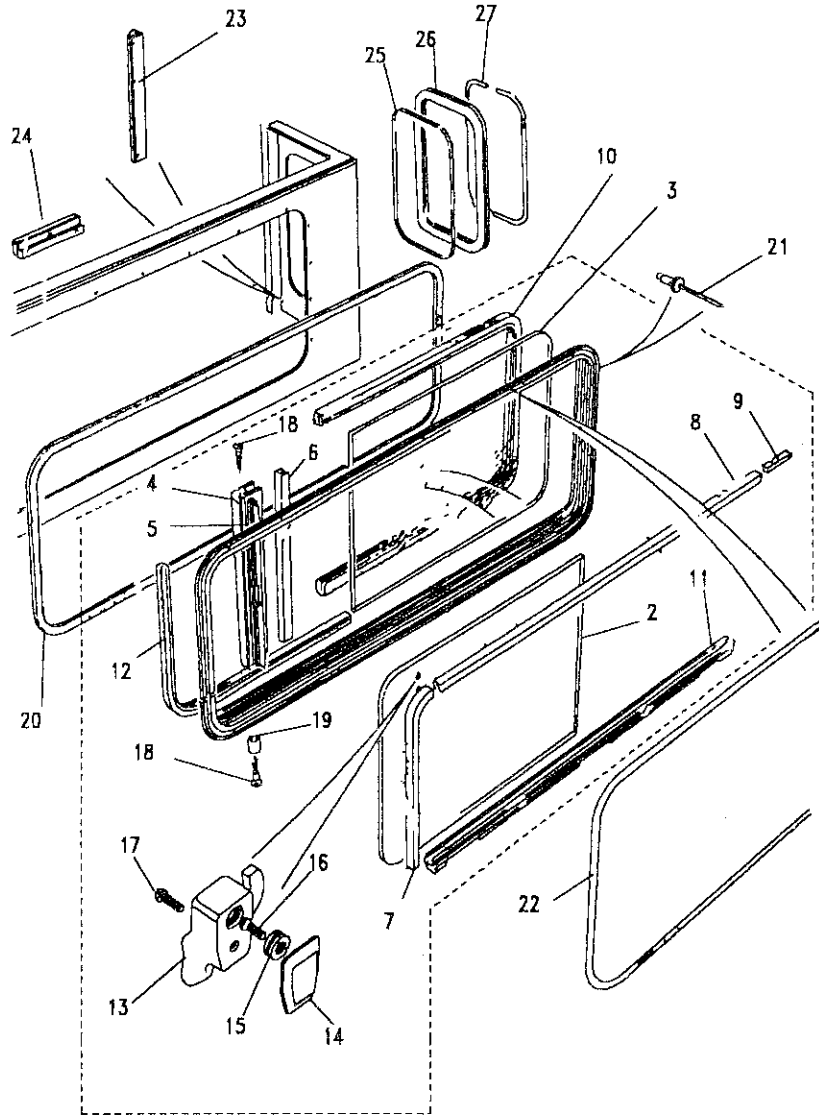
Model DEFENDER 110 1987 onwards  
 Page AFNXLE1A

**BODY - REAR BODY UPPER - STATION WAGON**



III. Part No.	Description	Qty	Remarks
1 MWC8966	Panel bodyside upper RH	1	
1 MWC8967	Panel bodyside upper LH	1	
2 MTC5394	Finisher/retainer RH	1	)
2 MTC5395	Finisher/retainer LH	1	)
3 78832	Screw	6	)
4 AFU1080	Washer plain	6	)
5 MUC3566	Stud plate	2	)Upto FA
6 WA105001L	Washer plain	8	)
7 WL105001L	Washer spring	8	)
8 NM105011	Nut	8	)
9 332215	Seal pillar	4	)
10 334610	Seal upper RH	1	)Upto
10 334611	Seal upper LH	1	)FA
MXC3676	Seal upper RH	1	)
MXC3677	Seal upper LH	1	)From
MXC3684	Seal upper front RH	1	)FA
MXC3685	Seal upper front LH	1	)
11 333487	Seal lower	2	Upto FA
11 MXC2031	Seal lower	2	From FA
ALR1158	Seal lower	2	Upto HA479385
ALR5055	Seal waist	2	From HA479385
			Upto KA925389
			From KA925390

Note(1) Introduction of 1989 Model Year - VIN FA

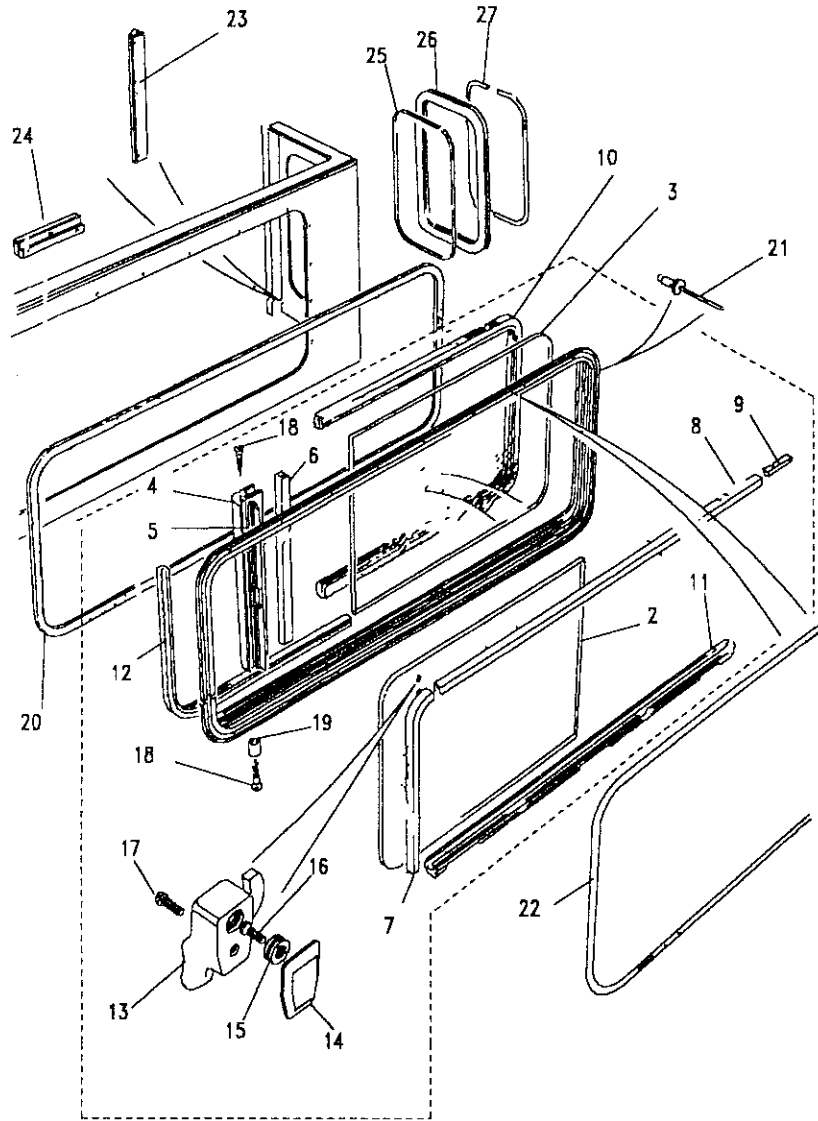


Model DEFENDER 110 1987 onwards  
 Page AFNXLE2A

**BODY - REAR BODY UPPER - STATION WAGON**

III. Part No.	Description	Qty	Remarks
<b>Sliding window assy - 5mm glass - upto 344754</b>			
1	MUC3766 Window assembly side	1	Clear
	MUC3767 Window assembly LH	1	Clear
	MUC3764 Window assembly RH	1	Tinted
	MUC3765 Window assembly LH	1	Tinted
2	MUC3791 Glass front	2	Clear
	MUC3794 Glass front	2	Tinted
3	MUC3792 Glass rear	2	Clear
	MUC3795 Glass rear	2	Tinted
4	MUC3770 Draught rail	2	
5	MUC3769 Seal draught rail	2	
6	MUC1098 Glazing strip draught rail	2	
7	MUC3097 Felt front	2	
8	MUC3096 Felt top	2	
9	MUC4025 Rubber stop	2	
10	MUC1484 Glazing rubber	2	
11	MTC8947 Bottom Runner	2	
12	MUC3768 Filler strip	2	

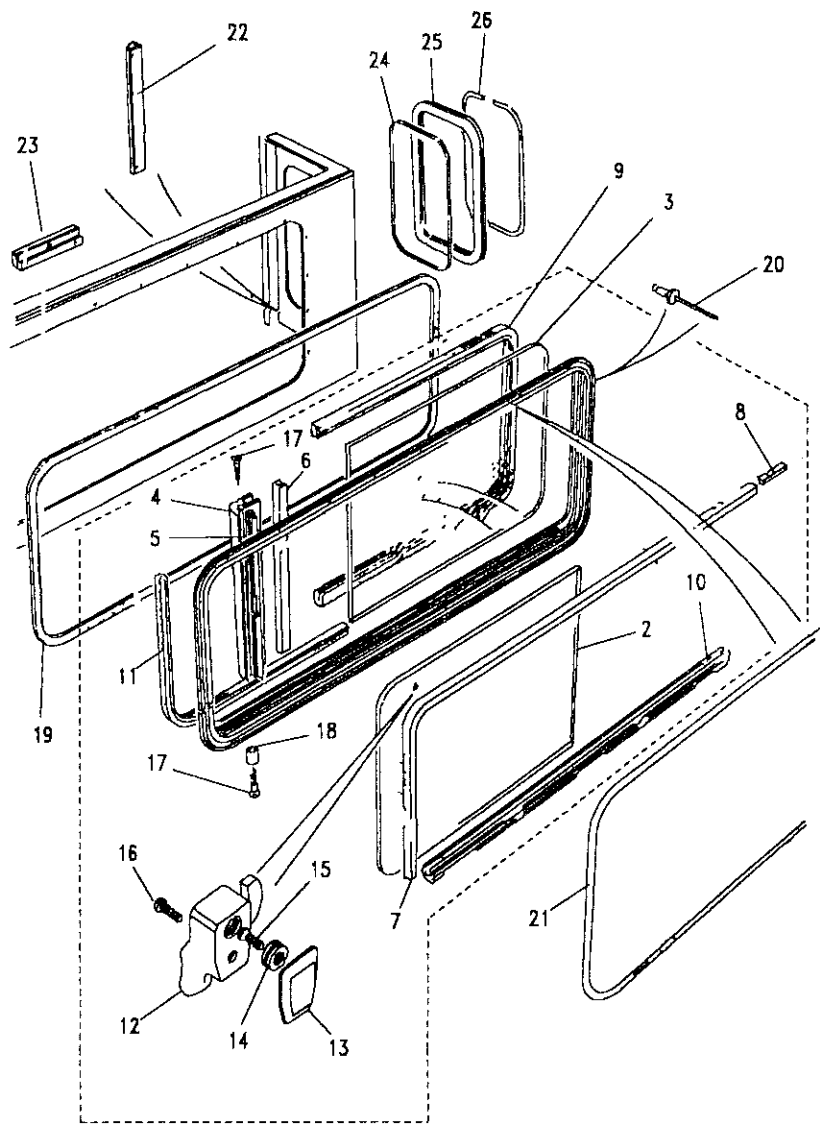




**Model** DEFENDER 110 1987 onwards  
**Page** AFNXLE2A

**BODY - REAR BODY UPPER - STATION WAGON**

III. Part No.	Description	Qty	Remarks
13	MTC8270	1	Catch RH
	MTC8271	1	Catch LH
14	MUC1704	2	Fixing block
15	MUC1705	2	Button
16	MUC1706	2	Screw
17	MUC1707	2	Screw
18	AC606081L	4	Draught rail
19	MUC3771	2	Spacer
20	MUC1008	2	Seal
21	RU610313L	48	Rivet
22	MUC1005	2	Filler strip
23	MUC4542	4	Finisher
24	MUC1501	12	Finisher
<b>Rear end window</b>			
25	MTC3476	2	Glass
	MTC5034	2	Glass
26	306287	2	Glazing strip
27	306289	2	Filler strip



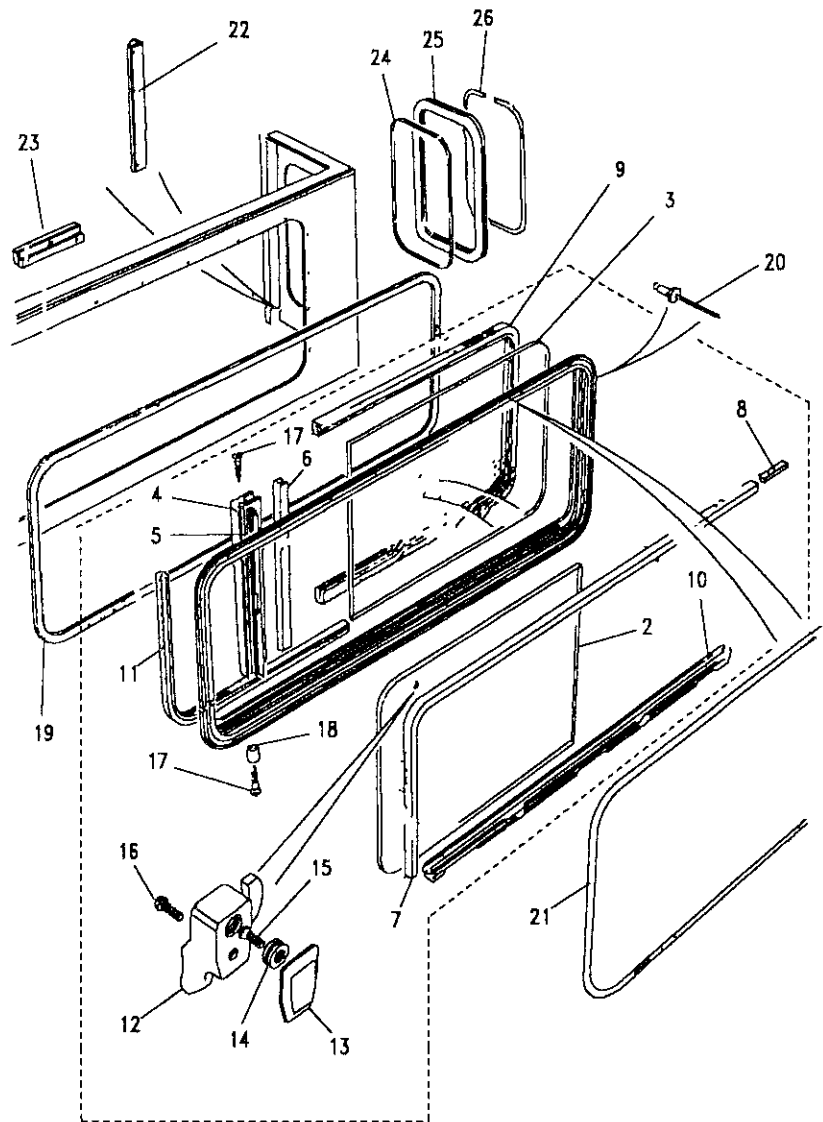
Model DEFENDER 110 1987 onwards

Page AFNXLE3A

**BODY - REAR BODY UPPER - STATION WAGON**

III. Part No.	Description	Qty	Remarks
<b>Sliding window assy - 4mm glass - From 344755</b>			
1	MWC4734 Window assembly RH	1	Clear
	MWC4735 Window assembly LH	1	Clear
	MWC4736 Window assembly RH	1	Tinted
	MWC4737 Window assembly LH	1	Tinted
2	MWC4728 Glass front	2	Clear
	MWC4729 Glass front	2	Tinted
3	MWC4730 Glass rear	2	Clear
	MWC4731 Glass rear	2	Tinted
4	MUC3770 Draught rail	2	
5	MWC7614 Seal draught rail	2	
6	MWC7615 Glazing strip draught rail	2	
7	RTC6462 Felt front and top	2	
8	MUC4025 Rubber stop	2	
9	MWC7617 Glazing rubber	2	
10	MWC7612 Bottom runner	2	
11	MUC3768 Filler strip	2	





**Model** DEFENDER 110 1987 onwards  
**Page** AFNXLE3A

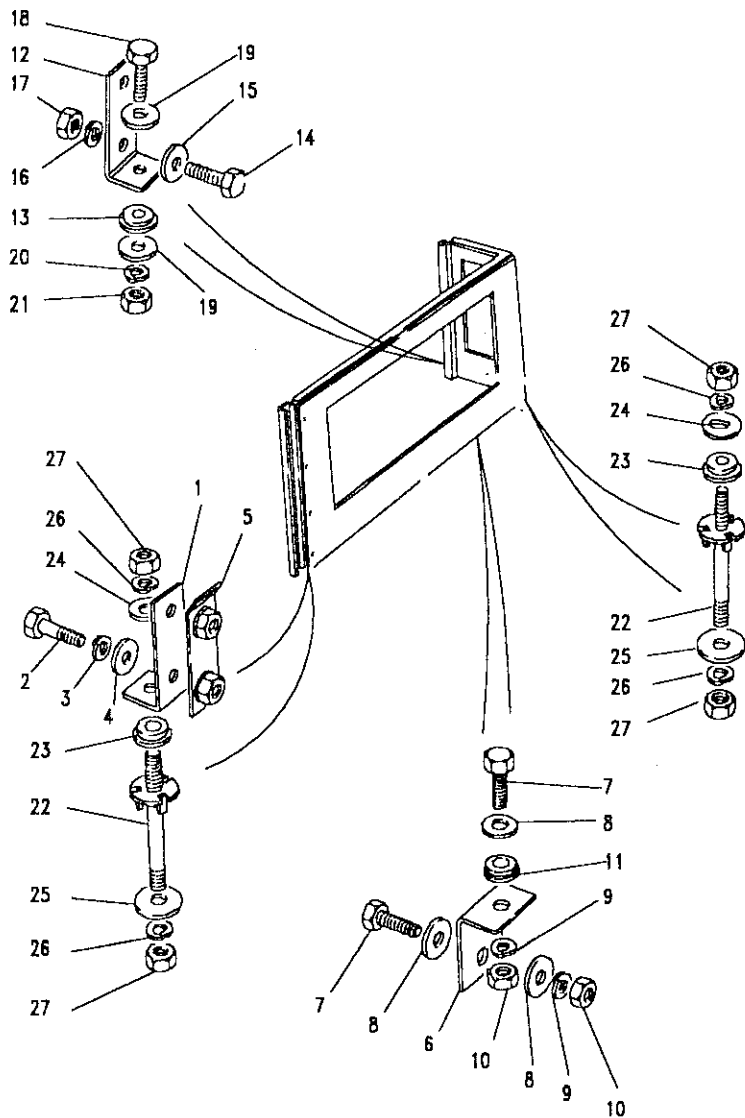
**BODY - REAR BODY UPPER - STATION WAGON**

III. Part No.	Description	Qty	Remarks
12	MTC8270	1	Catch RH
	MTC8271	1	Catch LH
13	MUC1704	2	Fixing block
14	MUC1705	2	Button
15	MUC1706	2	Screw
16	MUC1707	2	Screw
17	AC606081L	4	Screw
18	MUC3771	2	Spacer
19	MUC1008	2	Seal
20	RU610313L	48	Rivet
21	MUC1005	2	Filler strip
22	MUC4542	4	Finisher
23	MUC1501	12	Finisher
<b>Rear end window</b>			
24	MWC4715	2	Glass
	MWC4716	2	Glass
25	MWC4772	2	Glazing strip
26	306289	2	Filler strip



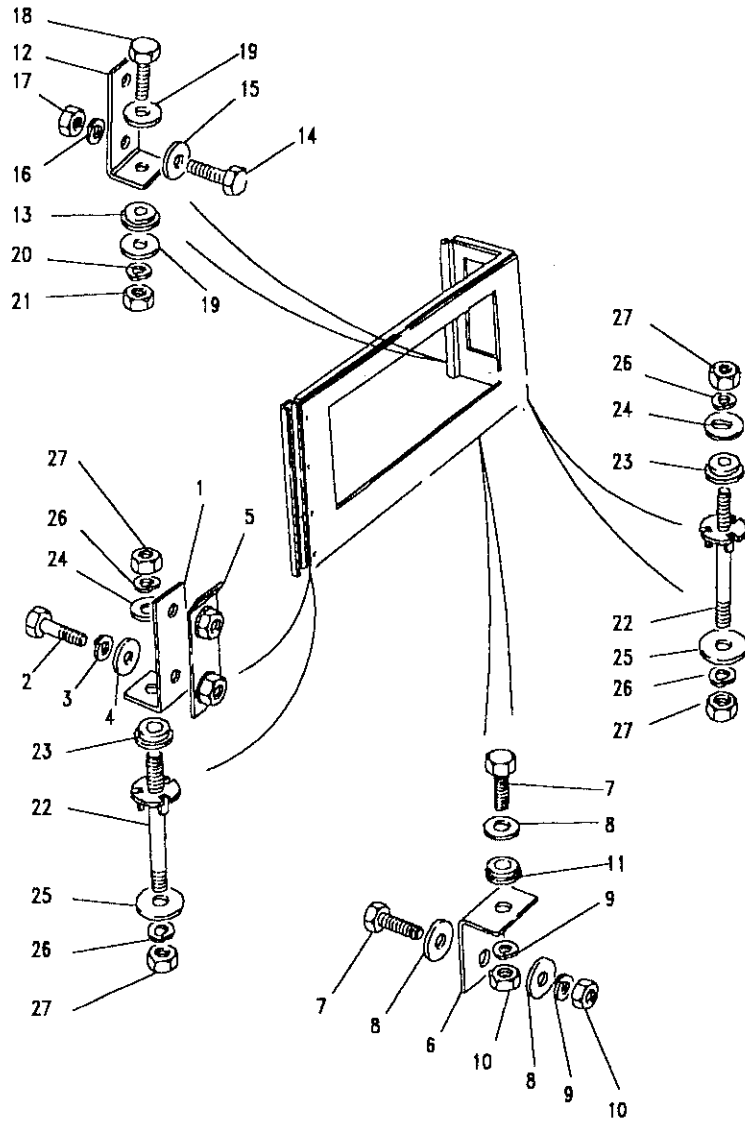
Model DEFENDER 110 1987 onwards  
Page AFNXLE4A

BODY - REAR BODY UPPER - STATION WAGON



III. Part No.	Description	Qty	Remarks
1	338554	Angle mounting	2
2	SH108161L	Screw	4
3	WL108001L	Washer spring	4
4	WC108051L	Washer plain	4
5	MUC1324	Nut plate	2
6	332201	Bracket support	2
7	FS106201L	Flange screw	4
8	AFU1080	Washer plain	6
9	WL106001L	Washer spring	4
10	NH106041L	Nut	4
11	338550	Buffer rubber	2
12	338552	Bracket support	2
13	338550	Buffer rubber	2
14	FS106167L	Screw	4
15	MRC5525	Washer plain	4
16	WL106001L	Washer spring	4
17	NH106041L	Nut	4
18	SH108301L	Screw	2
19	WC108051L	Washer plain	4
20	WL108001L	Washer spring	2
21	FN108041L	Nut	2



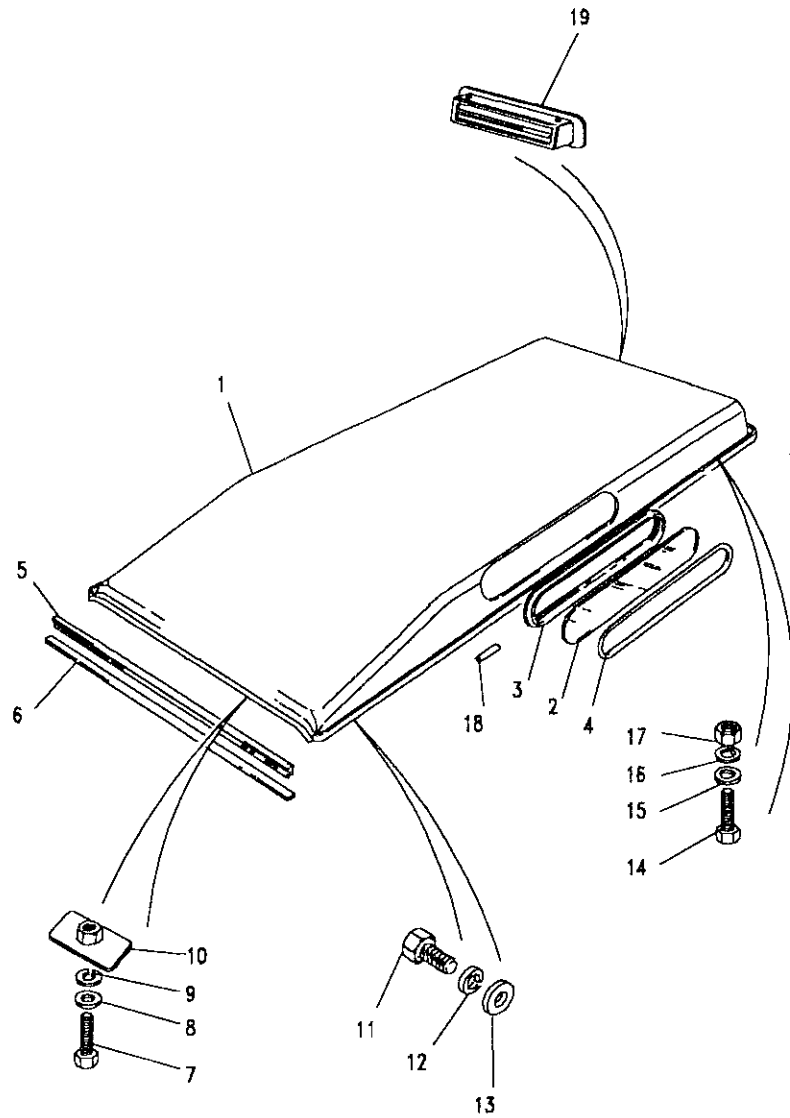


Model DEFENDER 110 1987 onwards  
 Page AFNXLE4A

**BODY - REAR BODY UPPER - STATION WAGON**

III. Part No.	Description	Qty	Remarks
22	MRC9833	4	
23	338553	4	
24	332293	4	
25	WC108051L	4	
26	WL108001L	8	
27	FN108041L	8	





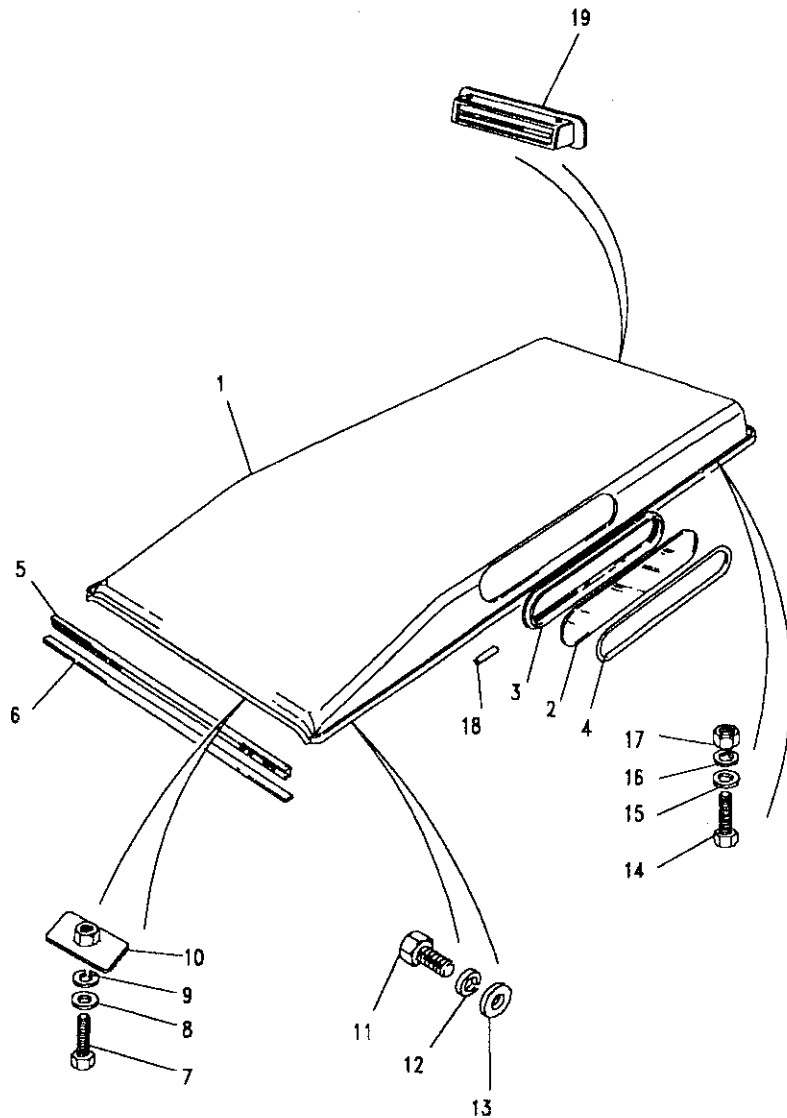
Model DEFENDER 110 1987 onwards  
Page AFNXMA1A

**BODY - ROOF - HARD TOP AND STATION WAGON**

III. Part No.	Description	Qty	Remarks
MWC5217	Roof - With external stiffeners - Sunroof aperture Roof assembly	1	Station Wagon with From EA314268
1 MWC6699	Roof - With internal stiffeners - From FA Roof assembly	1	Hard Top
MWC6698	Roof assembly	1	Station Wagon
MWC6908	Roof assembly	1	Station Wagon with sunroof aperture

Note(1) Hard top and Station wagon (minus sunroof aperture) NLA - use later part numbers





**Model** DEFENDER 110 1987 onwards  
**Page** AFNXMA1A

**BODY - ROOF - HARD TOP AND STATION WAGON**

III. Part No.	Description	Qty	Remarks
2 MTC3474	Glass tinted	2	5mm glass
MWC4714	Glass tinted	2	4mm glass
3 302177	Weatherstrip	2	5mm glass
MWC4771	Weathersrip	2	4mm glass
4 302178	Fillerstrip	2	
5 MTC4994	Seal inner	1	
6 MTC6568	Seal outer	1	
MUC6400	Seal corner	2	

**Fixings - Roof header to windscreen**

7 SH106251L	Screw	6	
8 WA106041L	Washer plain	6	
9 WL106001L	Washer spring	6	
10 MTC3203	Nut plate	6	

**Fixings - Roof cantrail to windscreen**

11 SH106251L	Screw	2	Up to HA903402
AB614081L	Screw	2	From HA903403
12 WA106041L	Washer plain	2	
13 WL106001L	Washer spring	2	Up to HA903402
302532	Spire nut	2	From HA903403



**Model** DEFENDER 110 1987 onwards  
**Page** AFNXMA1A

**BODY - ROOF - HARD TOP AND STATION WAGON**

**III. Part No. Description Qty Remarks**

**Fixings - Roof to upper body**

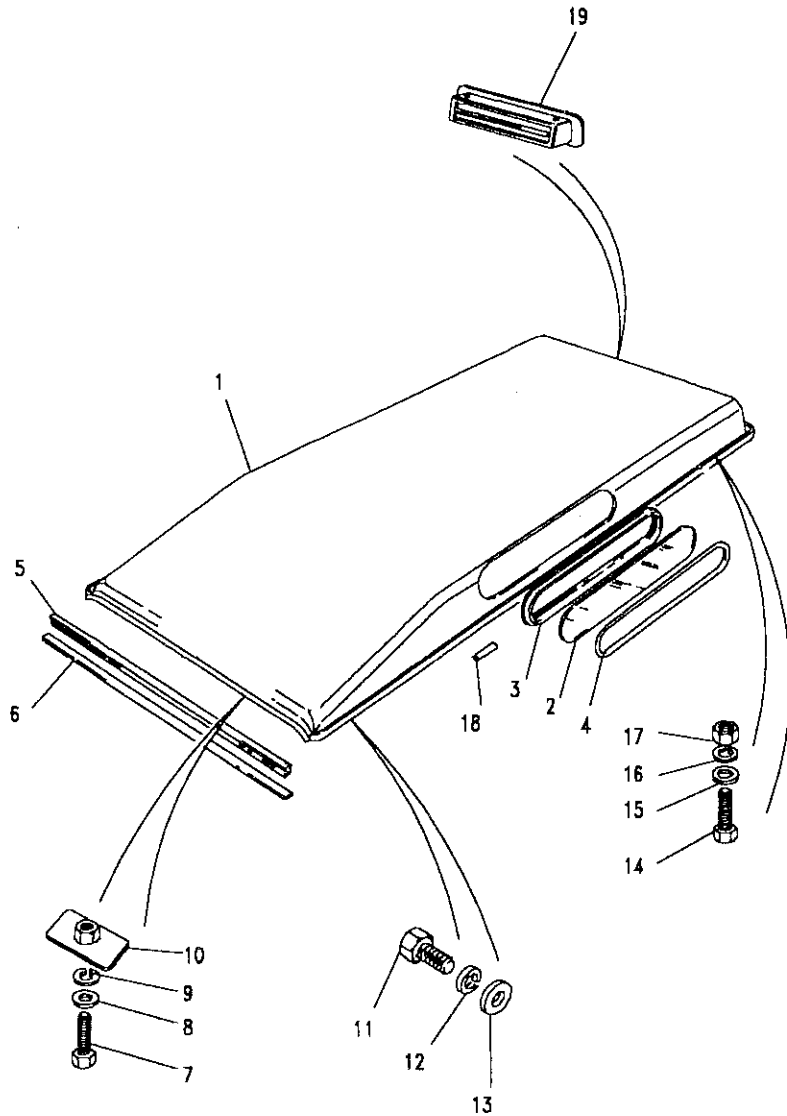
14	FS106201L	Flange screw	24	)
15	WA106041L	Washer plain	24	) Note(5)
16	WL106001L	Washer spring	24	)
17	NH106041L	Nut	24	)

**BC post to roof cantrail**

18	334615	Seal	2	Station Wagon
19	STC1346	Ventilator	2	Upto FA441847

**Applicable to Germany only**

MTC8332	Capping front corner RH	1
MTC8331	Capping front corner LH	1
RU608313L	Rivet	2
MTC7513	Strip edging cantrail	A/R
MUC3809	Cover bracket cantrail	2
MUC3882	Cover cantrail RH	1
MUC3883	Cover cantrail LH	1





**Model** DEFENDER 110 1987 onwards  
**Page** AFNXMG1A

**BODY - ROOF - TRUCK CAB**

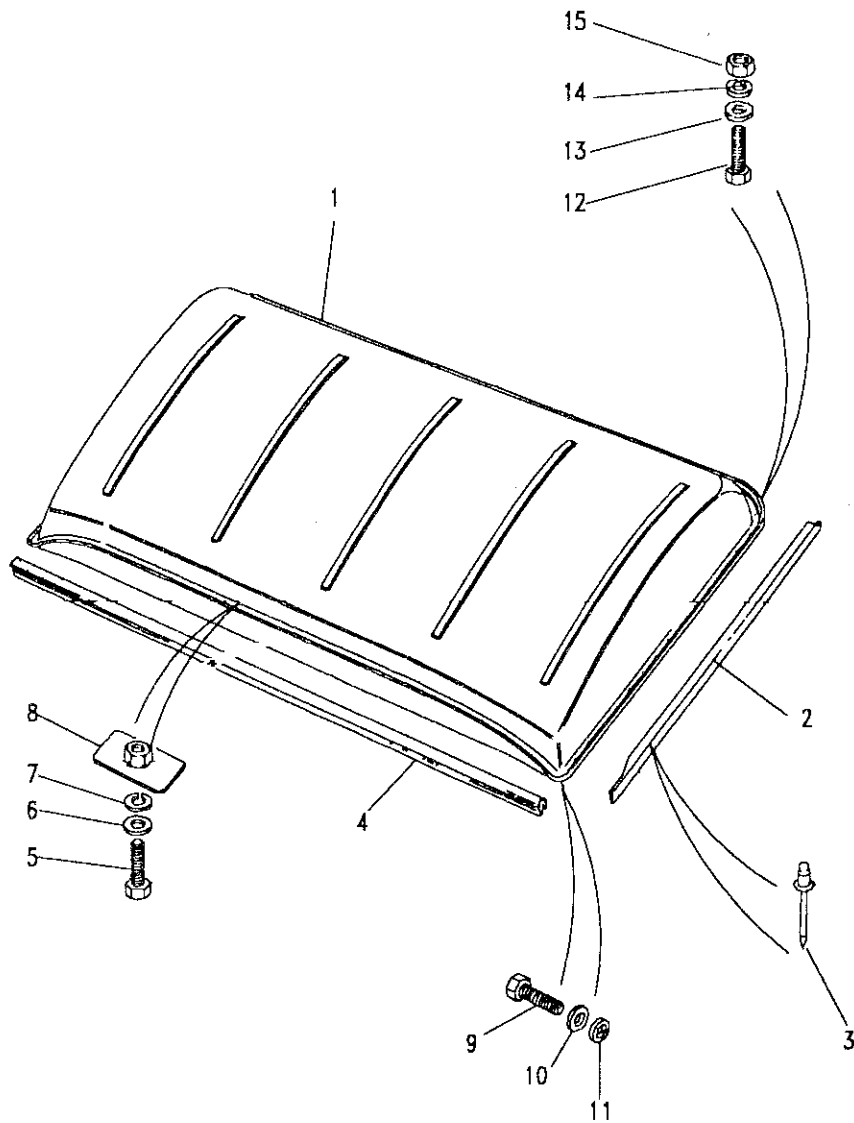
III. Part No.	Description	Qty	Remarks
1	MWC6055	1	Roof assembly
2	MUC9204	1	Retainer seal RH
	MUC9205	1	Retainer seal LH
3	78248	10	Rivet
4	MTC4994	1	Seal inner
	MTC6568	1	Seal outer
	MUC6400	2	Seal corner

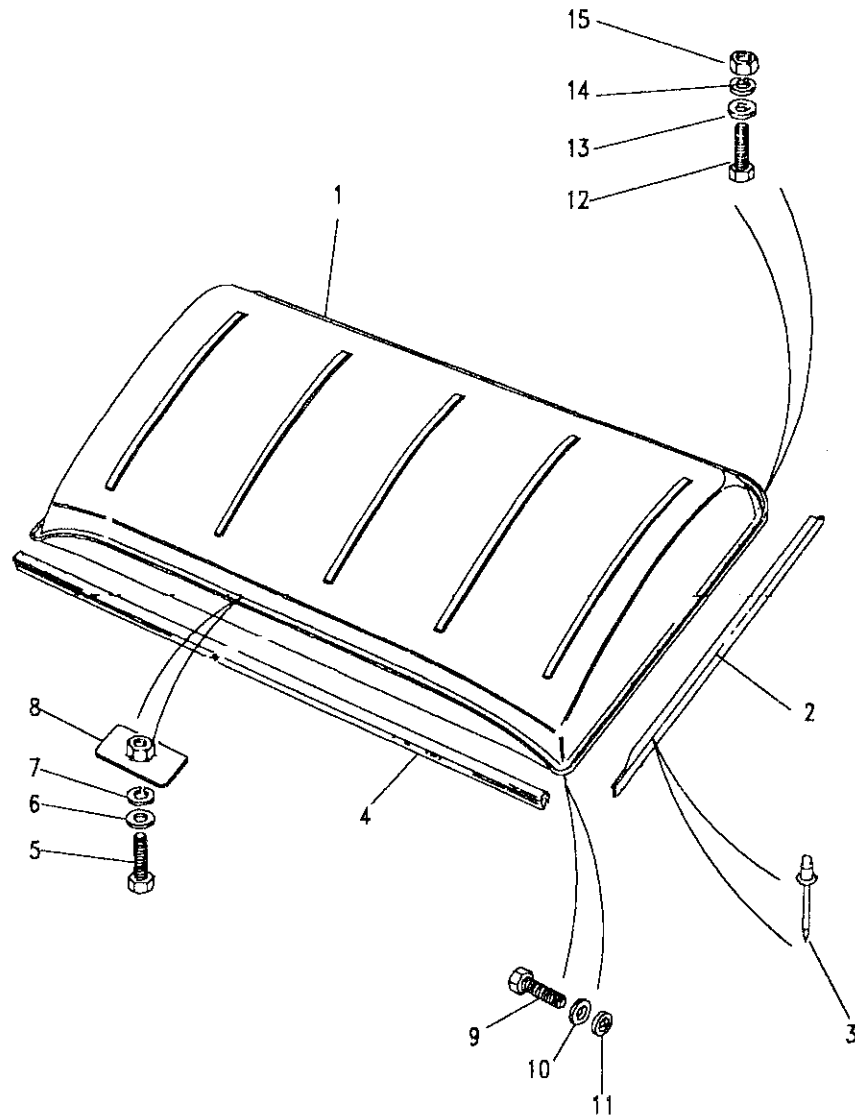
**Roof header to windscreen**

5	FS106167L	6	Screw
6	WA106041L	6	Washer plain
7	WL106001L	6	Washer spring
8	MTC3203	6	Nut plate

**Roof cantrail to windscreen**

9	SH106251L	2	Screw	Upto HA903402
	AB614081L	2	Screw	From HA903403
10	WA106041L	2	Washer plain	
11	WL106001L	2	Washer spring	Upto HA903402
	302532	2	Spire nut	





**Model** DEFENDER 110 1987 onwards  
**Page** AFNXMG1A

**BODY - ROOF - TRUCK CAB**

III. Part No.	Description	Qty	Remarks
<b>Roof to cab rear panel</b>			
12 FS106201L	Flange screw	8	
13 WA106041L	Washer plain	12	
14 WL106001L	Washer spring	12	
15 NH106041L	Nut	12	
<b>Applicable to Germany only</b>			
MTC7513	Strip edging cantrail	1/R	
MTC8331	Capping front corner LH	1	
MTC8332	Capping front corner RH	1	
RU608313L	Rivet	2	
<b>Defender 130</b>			
RRC6177	Roof assembly	1	Crew cab







Model DEFENDER 110 1987 onwards

Page AFNXNA1A

BODY - SUNROOF

III. Part No. Description Qty Remarks

Fitted from 1988 model year - VIN 314268

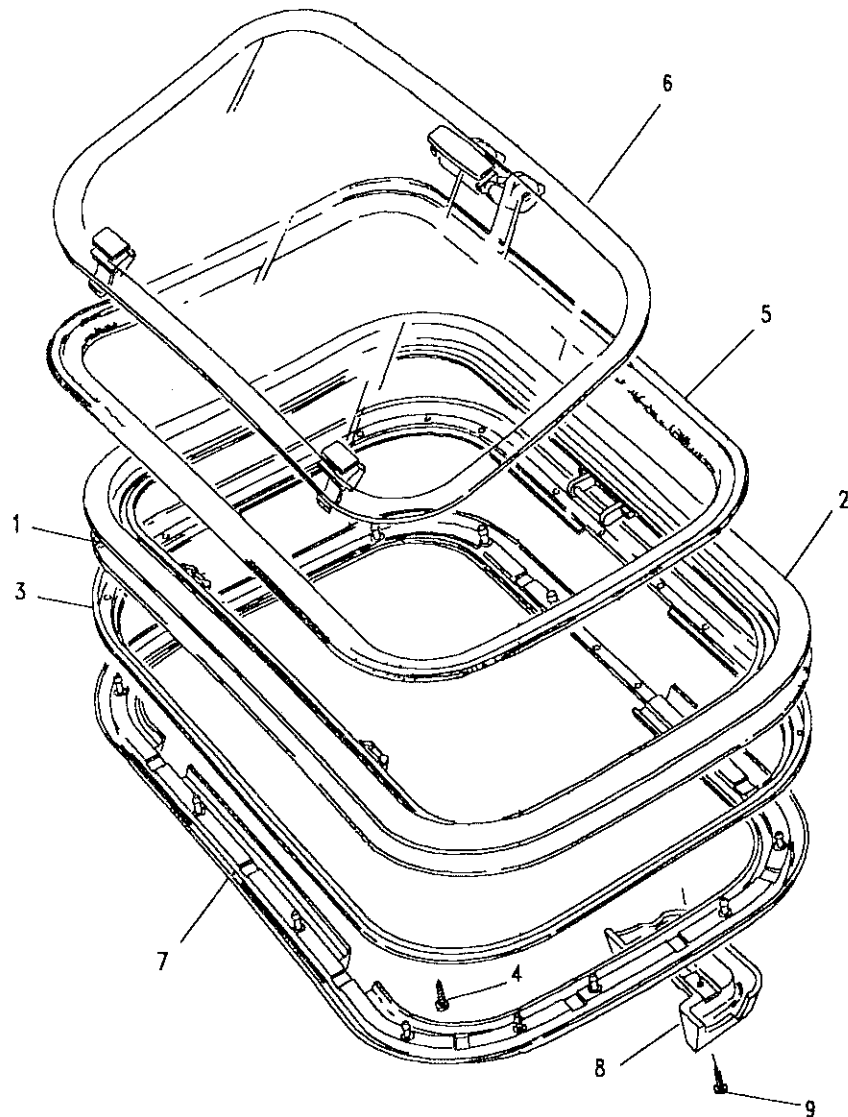
Part No.	Description	Qty	Remarks
1	MWC9500 Seal	1	
2	RTC5941 Frame assembly sunroof	1	
3	RTC6790 Frame clamping	1	
4	AA610031 Screw	14	
5	RTC5942 Seal sunroof frame	1	
6	RTC5943 Panel glass sunroof	1	
7	MWC5202 Trim ring sunroof	1	NLA use MXC5011
	MXC5011 Trim ring sunroof	1	Note(1)
8	MWC5201 Shroud handle	1	To fit MWC5202
	MXC5010 Shroud handle	1	To fit MXC5011
9	AB610041L Screw	2	

Note(1)

When replacing MWC5202 with MXC5011 fit also MXC5010

Note(2)

These parts are to service factory fit sun roof only. Sun roof cannot be retrospectively fitted.





Model DEFENDER 110 1987 onwards

Page AFNXNA2A

BODY - SUNROOF

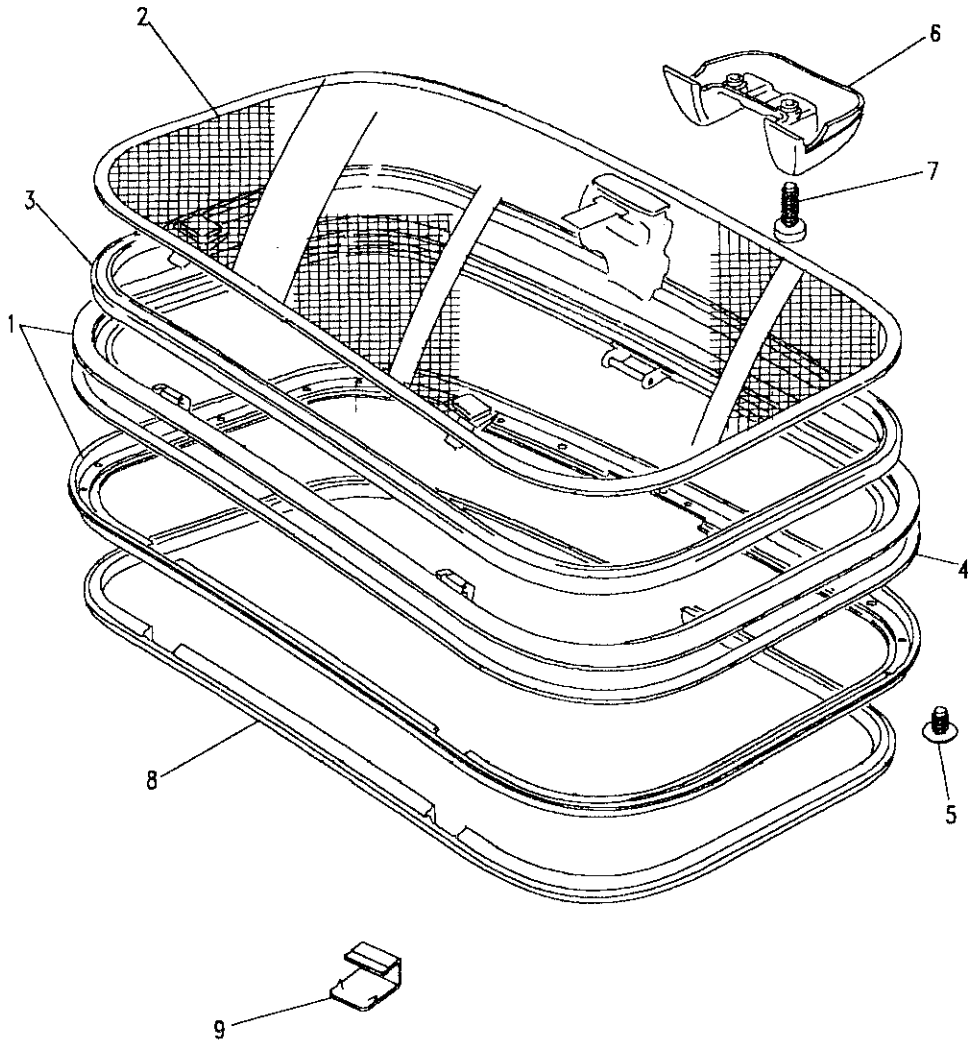
III. Part No.

Description

Qty Remarks

From 1992 Model Year - JA906592

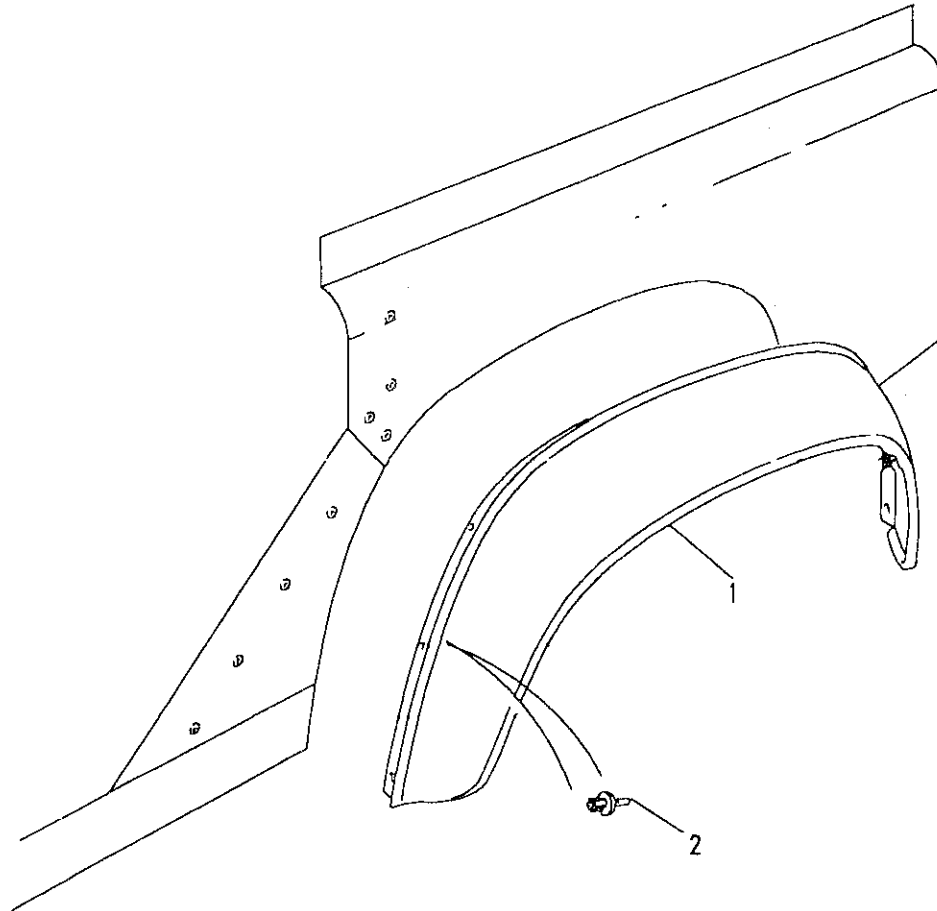
1	STC746	Frame and clamp assy	1	
2	STC747	Glass panel assy	1	
3	RTC5942	Seal	1	Glass to frame
4	MWC9500	Seal	1	Sunroof to roof
5	AA610031	Screw	14	
6	ALR1460	Shroud handle	1	
7	STC749	Screw	2	
8	STC748	Seal	1	Sunroof to heading
9	ALR2386	Clip retaining	8	





Model DEFENDER 110 1987 onwards  
Page AFNXOA1A

BODY - REAR EYEBROWS



III. Part No.	Description	Qty	Remarks
1 MRC8420	Eyebrow Black	2	Gloss
RRC3045	Eyebrow Black	2	Matt
MTC6873AA	Eyebrow	2	Arizona tan
MTC6873CL	Eyebrow	2	Venetian red
MTC6873HC	Eyebrow	2	Bronze green
MTC6873HN	Eyebrow	2	Trident green
MTC6873JC	Eyebrow	2	Marine blue
MTC6873JP	Eyebrow	2	Stratos blue
MTC6873LN	Eyebrow	2	Slate grey
MTC6873NM	Eyebrow	2	Ivory
MTC6873CUF	Eyebrow	2	Arrow red
MTC6873JUG	Eyebrow	2	Shire blue
MTC6873HUJ	Eyebrow	2	Eastnor green
MTC6873SUB	Eyebrow	2	Arran beige
MTC6873JUH	Eyebrow	2	Pacific blue





Model DEFENDER 110 1987 onwards

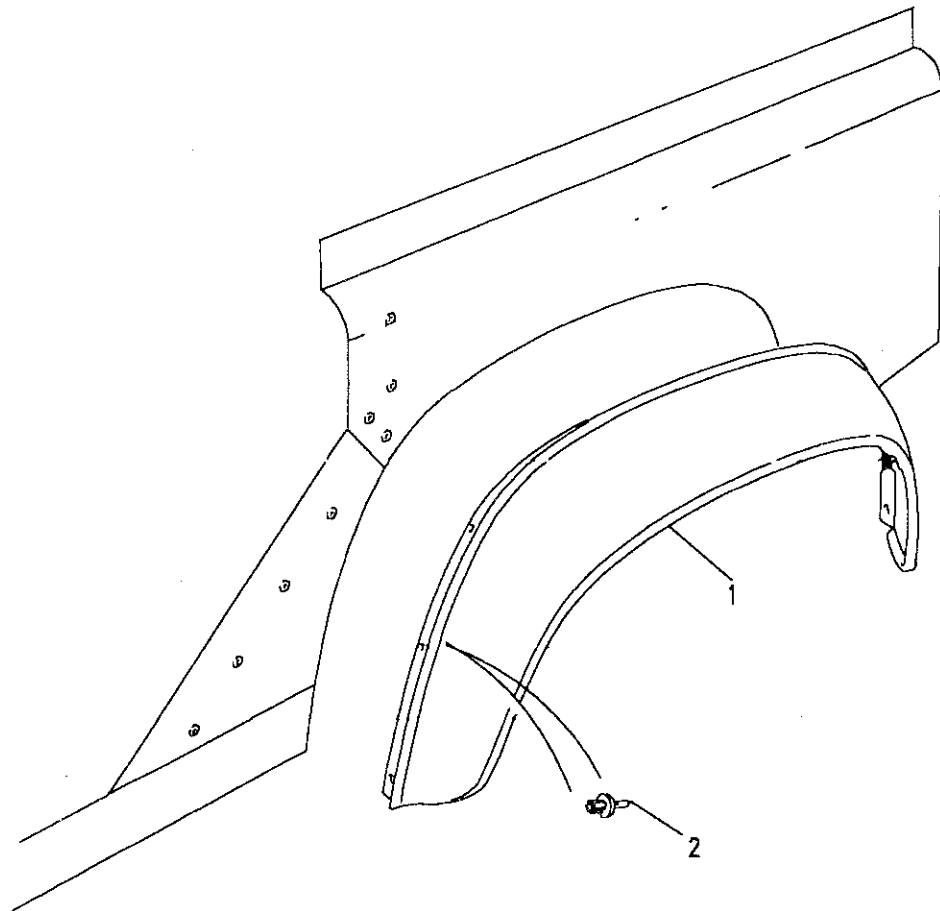
Page AFNXOA1A

BODY - REAR EYEBROWS

III. Part No.	Description	Qty	Remarks
---------------	-------------	-----	---------

Eyebrow moulding rear wing

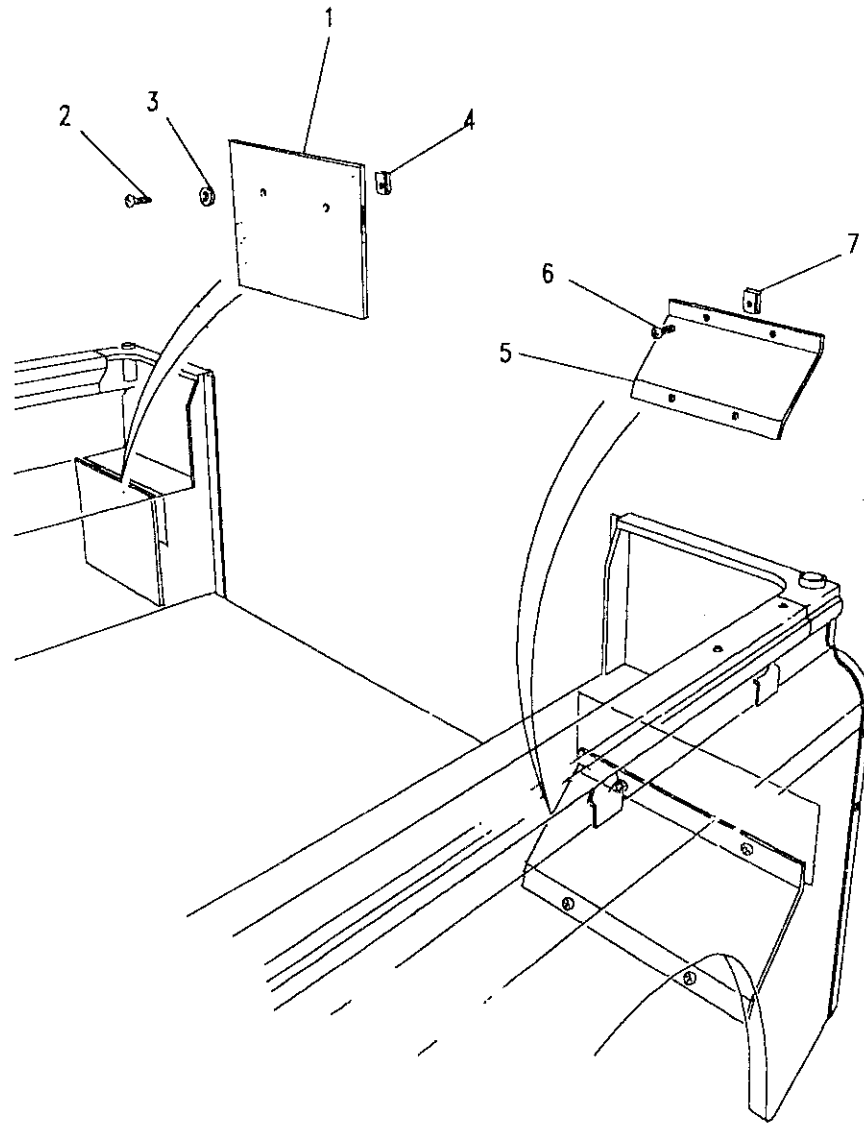
MTC6873NUC	Eyebrow	2	White
MTC6873LUS	Eyebrow	2	Grey
MTC6873CUH	Eyebrow	2	County red
MTC6873HUL	Eyebrow	2	County green
MTC6873PUE	Eyebrow	2	County black
MTC6873HYE	Eyebrow	2	Coniston green
MTC6873CUY	Eyebrow	2	Montpellier red
MTC6873HAF	Eyebrow	2	Epsom green
2 AFU1075	Rivet plastic	24	





Model DEFENDER 110 1987 onwards  
Page AFNXOB1A

BODY - REAR LAMPS PROTECTION



III. Part No.	Description	Qty	Remarks
1	MTC7861	1	Upto HA905083
	BTR1790	1	From HA905084
2	AR610051L	2	
3	AFU1218L	2	
4	AK610021L	2	
5	MRC8094	1	
6	AR610051L	4	
7	AK610021L	4	



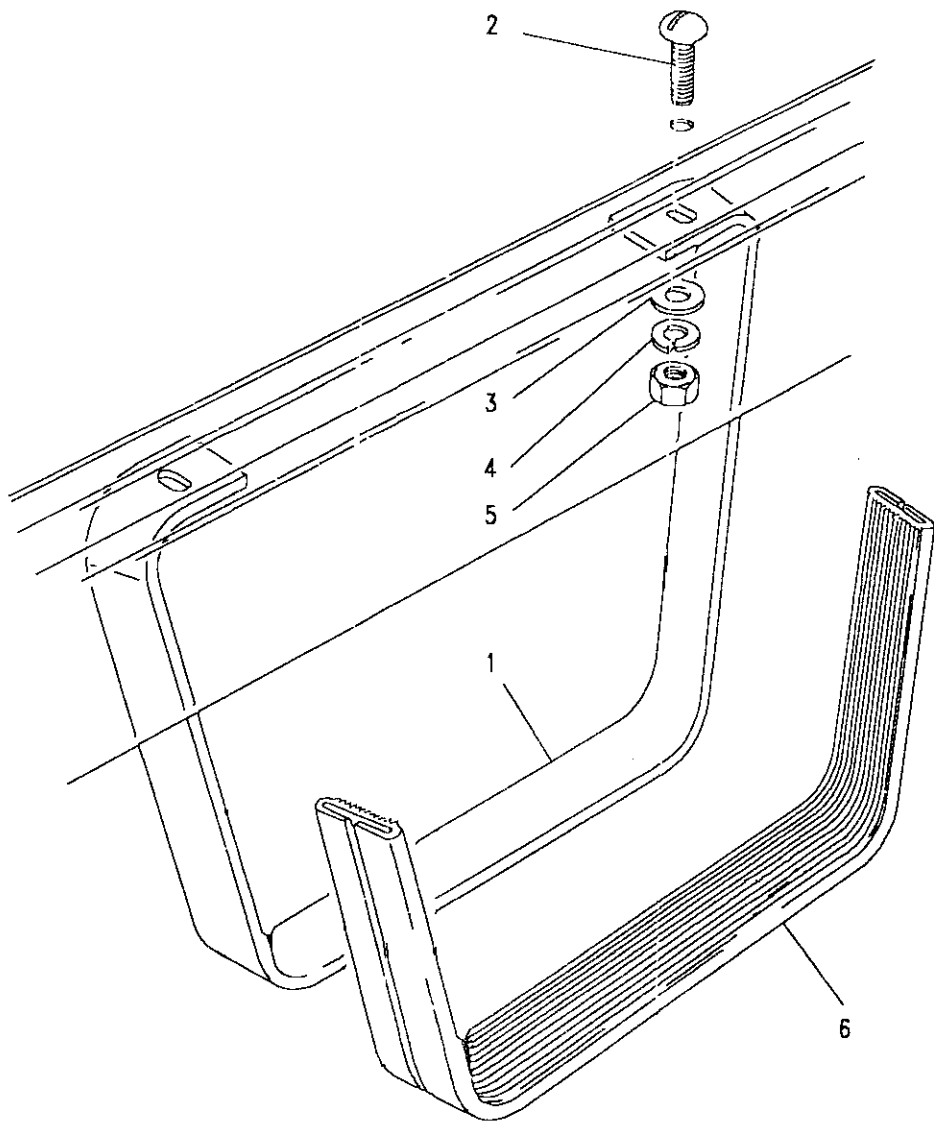


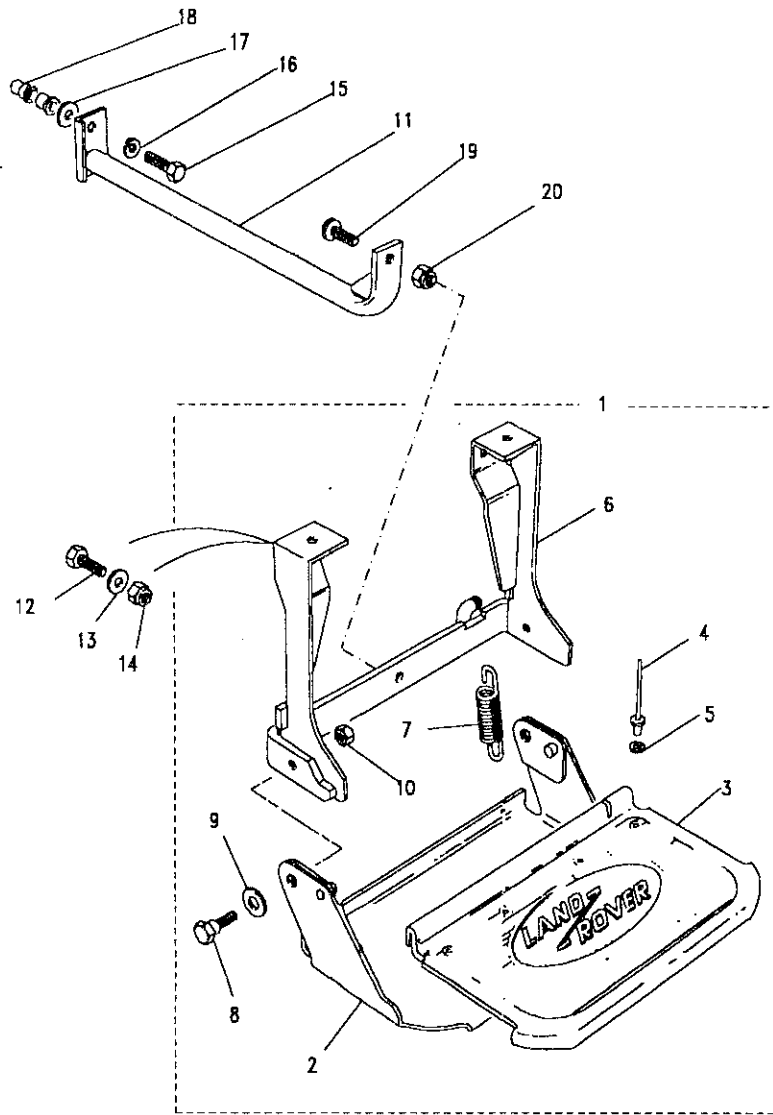
**Model** DEFENDER 110 1987 onwards  
**Page** AFNXPA1A

**BODY - STIRRUP STEP - SIDE DOORS**

Ill. Part No.	Description	Qty	Remarks
1	MTC2138 Step side	1	Stirrup type
<b>Fixings - Step to sill channel</b>			
2	SE108251 Bolt	2	
3	WC108051L Washer plain	2	
4	WL108001L Washer spring	2	
5	FN108041L Nut	2	
6	MTC2548 Finisher step	1	Germany

Note(1) Quantities shown are for one step only



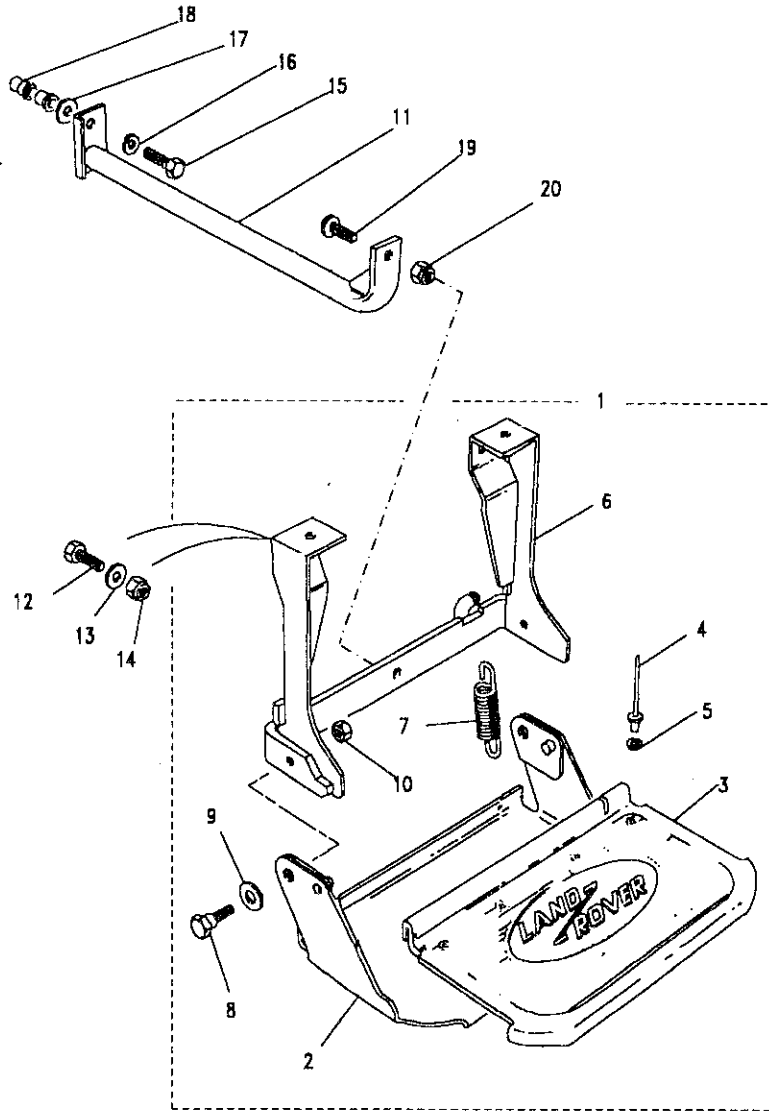


Model DEFENDER 110 1987 onwards  
 Page AFNXP2A

BODY - FOLDING STEP - SIDE DOORS - NOT GERMANY

Ill. Part No.	Description	Qty	Remarks
1	MTC7466	1	Step side
2	MTC3021	1	Step
3	MTC3076	1	Tread
4	RT612253	4	Rivet
5	WA105001L	4	Washer plain
6	MTC7465	1	Support
7	MTC1233	1	Spring
8	MTC7464	2	Bolt special
9	WB114001L	2	Washer plain
10	NY108041L	2	Nut
11	MXC1624	1	Brace
<b>Fixings - Step to sill</b>			
12	FS108251L	2	Screw
13	WA108051L	2	Washer plain
14	NY108041L	2	Nut





**Model** DEFENDER 110 1987 onwards  
**Page** AFNXP2A

**BODY - FOLDING STEP - SIDE DOORS - NOT GERMANY**

III. Part No.	Description	Qty	Remarks
<b>Fixings - Brace to chassis</b>			
15	FŠ108251L Screw	1	
16	WL108001L Washer spring	1	
17	WC108051L Washer packing	A/R	
18	NN108021 Nut anchor	1	
<b>Fixings - Brace to step</b>			
19	SE108201 Screw	1	
20	NY108041L Nut	1	

Note(1) Quantities shown are for one step only







Model DEFENDER 110 1987 onwards

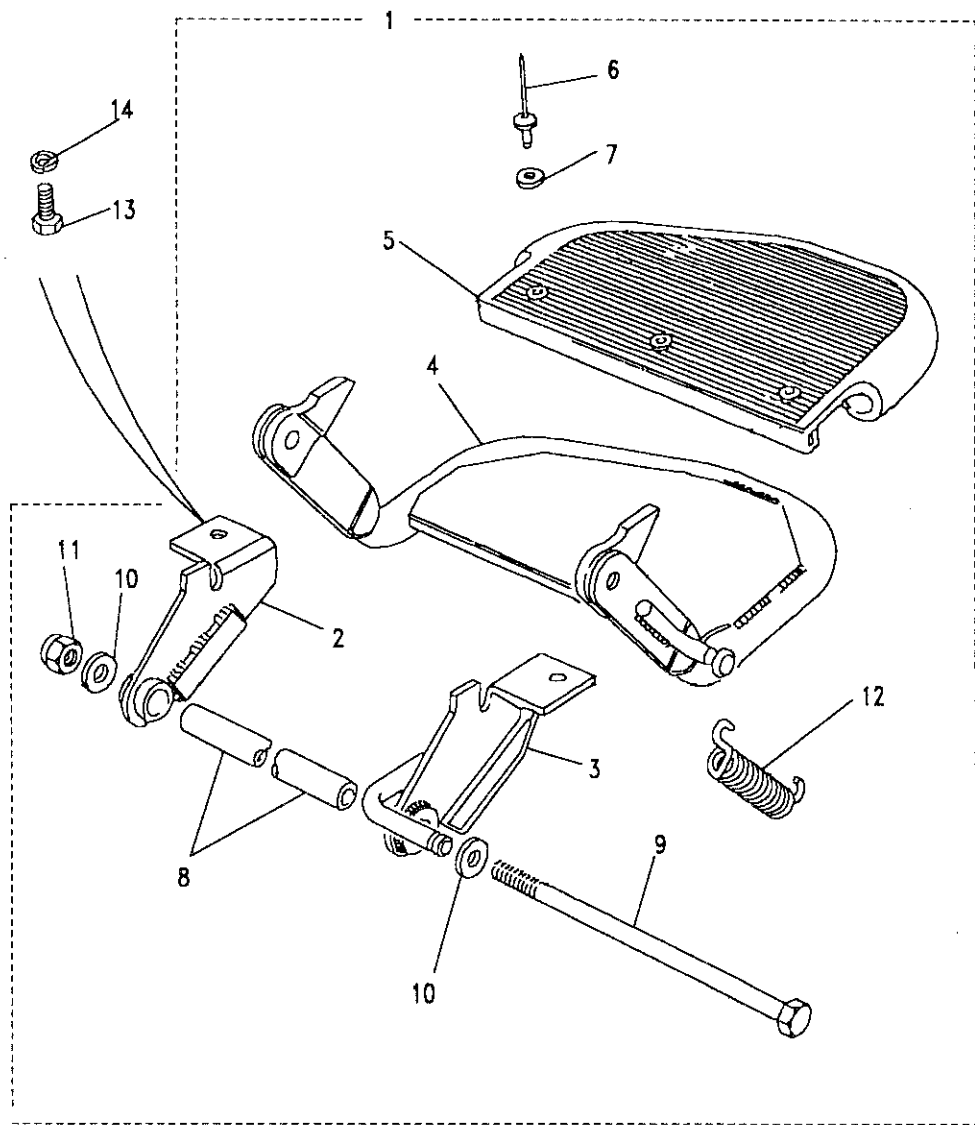
Page AFNXPA3A

BODY - FOLDING STEP - REAR END DOOR

III. Part No.	Description	Qty	Remarks
1	MTC3084	1	Folding type
2	MTC3086	1	
3	MTC3087	1	
4	MTC3085	1	
5	MTC3091	1	
6	RA612373L	7	
7	WA105001	7	
8	MTC3099	1	
9	BH110521	1	
10	WC110061	2	
11	NY110041L	1	
12	MTC1233	1	

Fixings - Step to chassis

13	SH110201	2	Screw
14	WL110001L	2	Washer spring



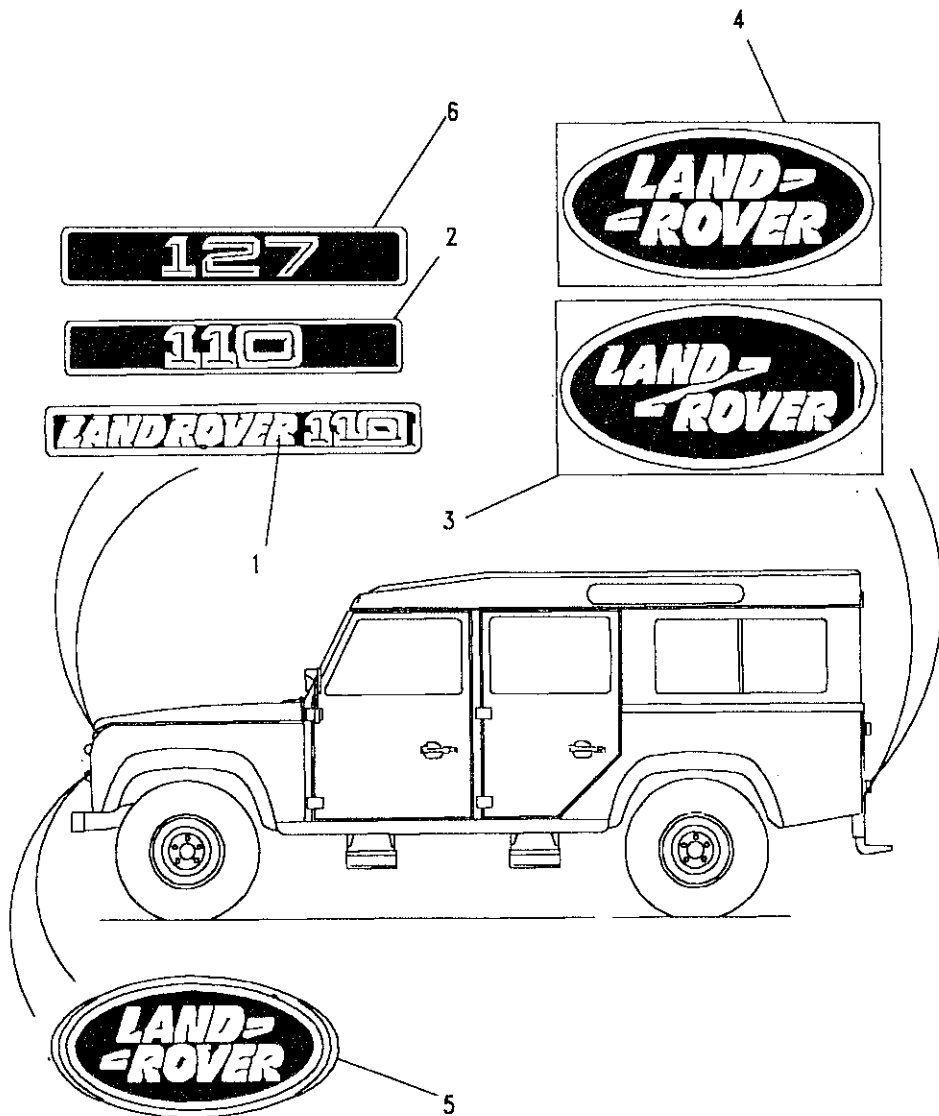


Model DEFENDER 110 1987 onwards  
 Page AFNXQA1B

BODY - DECALS - UP TO 1991 MODEL YEAR

III. Part No.	Description	Qty	Remarks
<b>Defender 110 and 130 - Upto FA414615</b>			
1 MUC2003	Nametape front	1	Note(1)
<b>Defender 110 - From FA414616</b>			
2 MXC6397	Nametape front	1	Note(1)
<b>Defender 130 - From FA414616</b>			
6 MXC6398	Nametape front	1	Note(1)
<b>Defender 110 and 130</b>			
3 MUC2002	Nametape rear	1	Note(1)
4 MXC6401	Nametape rear	1	Note(1)
5 MXC6402	Badge grille	1	Note(2)

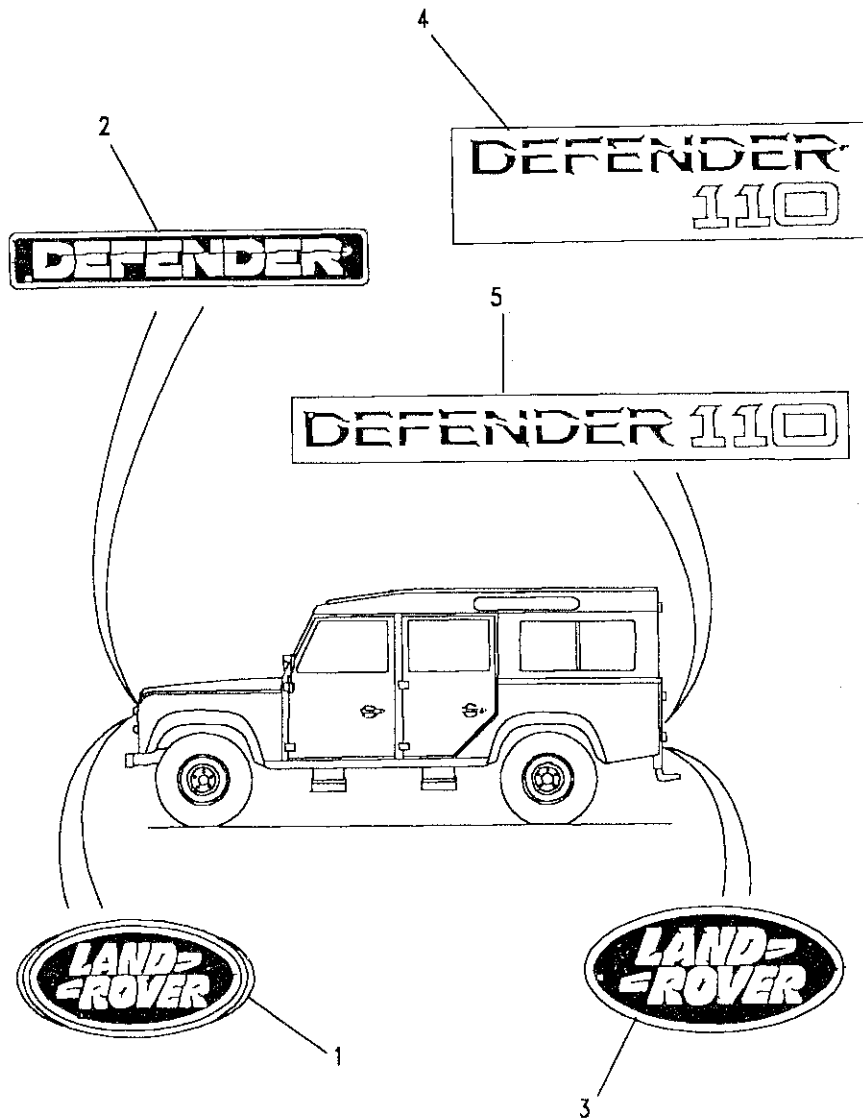
Note(1) Silver on black background  
 Note(2) Gold on green background





Model DEFENDER 110 1987 onwards  
Page AFNXQA2A

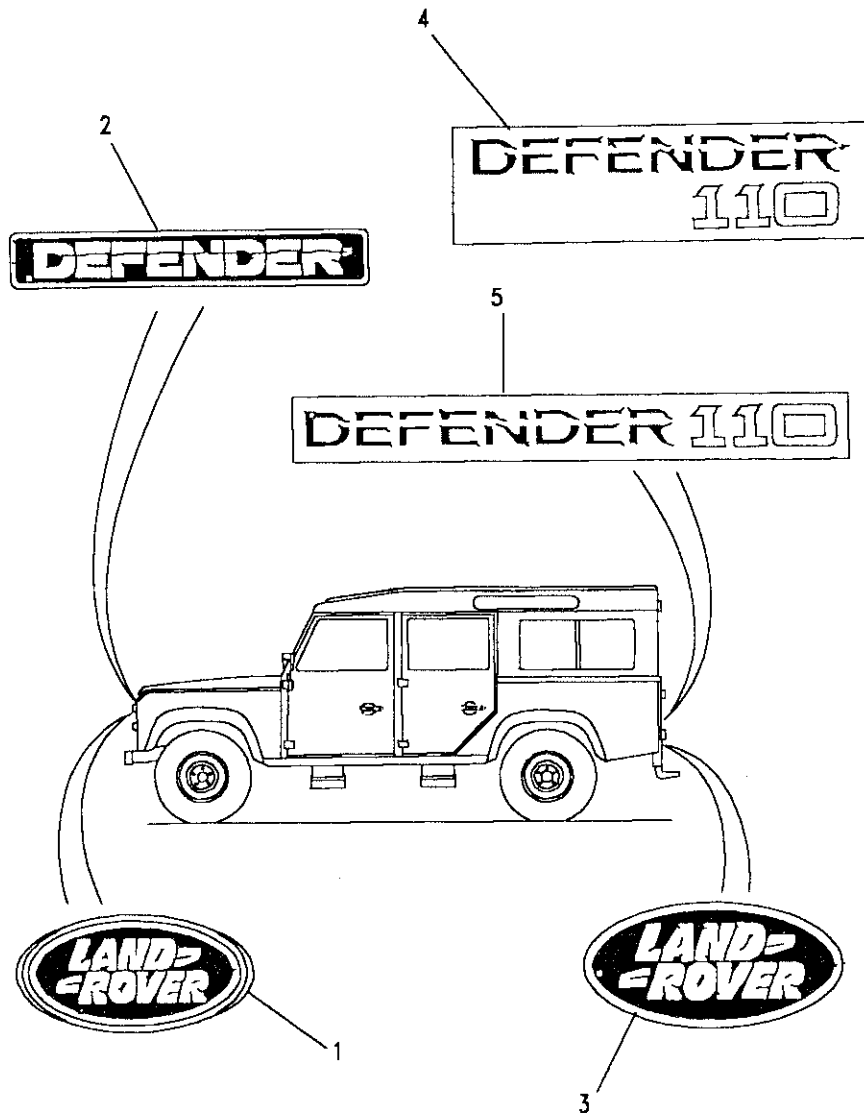
BODY - DECALS - FROM 1991 MODEL YEAR



III. Part No.	Description	Qty	Remarks
1 MXC6402	Badge grille	1	Note(1)
2 BTR1045	Tape front 'Defender'	1	Note(2)
3 BTR1047	Badge rear 'Land Rover'	1	Note(1)
<b>Defender 110 - 1991 Model Year</b>			
4 BTR1049	Tape rear 'Defender 110'	1	Note(3)
5 BTR1050	Tape rear 'Defender 110'	1	Note(3) HCPU
<b>Defender 130 - 1991 Model Year</b>			
BTR1051	Badge rear 'Defender 130'	1	Note(3)

- Note(1) Gold on green background
- Note(2) Silver on black background
- Note(3) Silver on clear background





**Model** DEFENDER 110 1987 onwards  
**Page** AFNXQA2A

**BODY - DECALS - FROM 1991 MODEL YEAR**

III. Part No.	Description	Qty	Remarks
<b>Defender 110 - 1992 Model Year</b>			
BTR2982LVA	Tape rear 'Defender 110'	1	Note(1)
BTR2983LVA	Tape rear 'Defender 110'	1	Note(1) HCPU Crew cab
<b>Defender 130 - 1992 Model Year</b>			
BTR2984LVA	Tape rear 'Defender 130'	1	Note(1)

Note(1) LVA = Light Grey on clear background

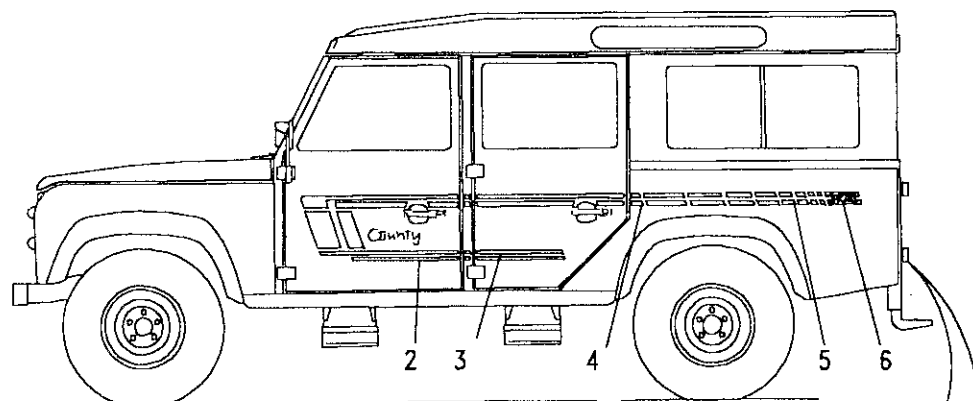




Model DEFENDER 110 1987 onwards

Page AFNXQA3A

## BODY - BODYTAPES

**TURBO**

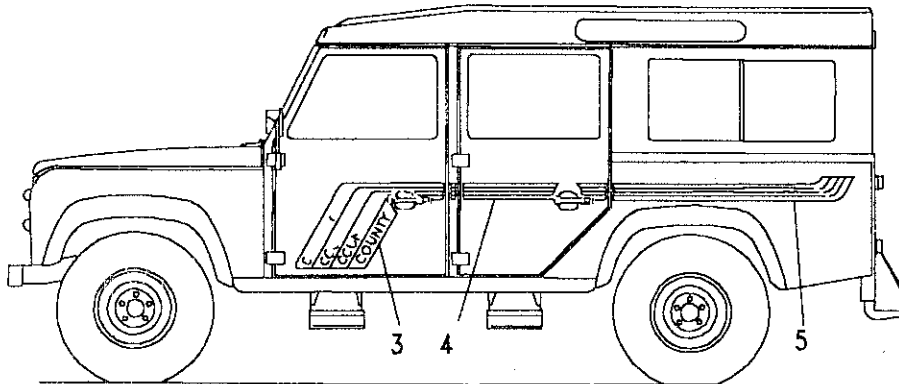
III. Part No.	Description	Qty	Remarks
<b>Upto 1988 Model Year</b>			
1 MUC6932	Badge rear-'Turbo'	1	Diesel turbo
2 MWC2237HA	Tape front door LH	1	Green
MWC2237LB	Tape front door LH	1	Grey
MWC2238HA	Tape front door RH	1	Green
MWC2238LB	Tape front door RH	1	Grey
3 MWC2239HA	Tape rear side door LH	1	Green
MWC2239LB	Tape rear side door LH	1	Grey
MWC2240HA	Tape rear side door RH	1	Green
MWC2240LB	Tape rear side door RH	1	Grey
4 MWC2241HA	Tape bodyside LH	1	Green
MWC2241LB	Tape bodyside LH	1	Grey
MWC2242HA	Tape bodyside RH	1	Green
MWC2242LB	Tape bodyside RH	1	Grey
5 MWC2243HA	Tape body strobe LH	1	Green
MWC2243LB	Tape body strobe LH	1	Grey
MWC2244HA	Tape body strobe RH	1	Green
MWC2244LB	Tape body strobe RH	1	Grey
6 MWC2245HA	Badge 'V8' LH	1	Green
MWC2245LB	Badge 'V8' LH	1	Grey
MWC2246HA	Badge 'V8' RH	1	Green
MWC2246LB	Badge 'V8' RH	1	Grey





Model DEFENDER 110 1987 onwards  
Page AFNXQA4A

BODY - BODYTAPES



III. Part No. Description Qty Remarks  
1988 Model Year upto 1989 Model Year - Non Station Wagon

1988 Model Year upto 1991 Model Year - Station Wagon

Part No.	Description	Qty	Remarks
1	MWC8256LUJ	1	Upto FA414615
	MWC8256MUB	1	From FA414616
2	MWC8257LUJ	1	Upto FA414615
	MWC8257MUB	1	From FA414616
3	MWC7188RUM	1	
	MWC7189RUM	1	
4	MWC7190RUM	1	
	MWC7191RUM	1	
5	MWC8590RUM	1	
	MWC8591RUM	1	

Note(1) 1988 Model Year - VIN EA  
Note(2) LUJ = Grey  
Note(3) MUB = Silver on black background  
Note(4) RUM = Dark grey/silver strobe



1

2

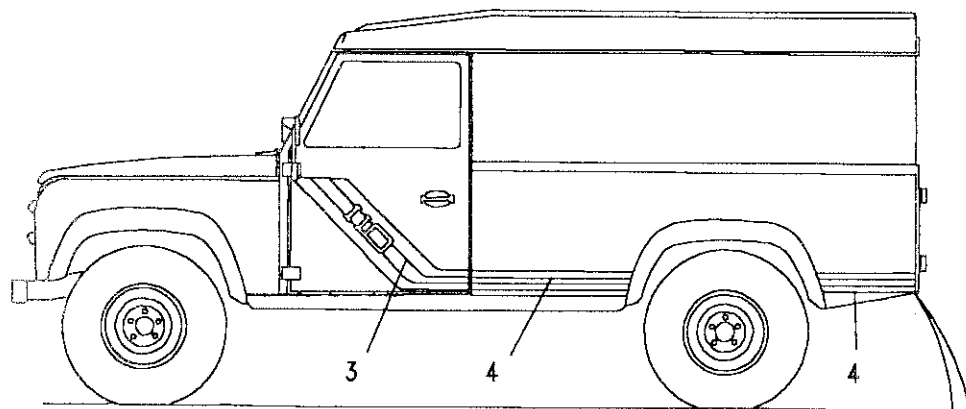




Model DEFENDER 110 1987 onwards

Page AFNXQA5A

BODY - BODYTAPES



III. Part No.	Description	Qty	Remarks
---------------	-------------	-----	---------

1989 Model Year upto 1991 Model Year - Non Station Wagon

1	MWC8256LUJ	Badge rear 'Turbo'	1 Upto FA414615
	MWC8256MUB	Badge rear 'Turbo'	1 From FA414616
2	MWC8257LUJ	Badge rear 'V8'	1 Upto FA414615
	MWC8257MUB	Badge rear 'V8'	1 From FA414616
3	MXC1874RUP	Tape front door RH	1
	MXC1875RUP	Tape front door LH	1
4	MXC5015RUP	Tape bodyside 1300mm	A/R Note(1)

Note(1)

1989 Model Year

Note(2)

Station Wagon refer to page 885

Note(3)

Chassis Cab = 500mm, Hard/Soft Top = 2600mm, HCPU = 3100mm

Note(4)

LUJ = Grey

Note(5)

MUB = Silver on black background

Note(6)

RUP = Silver/mid grey/dark grey on ivory background

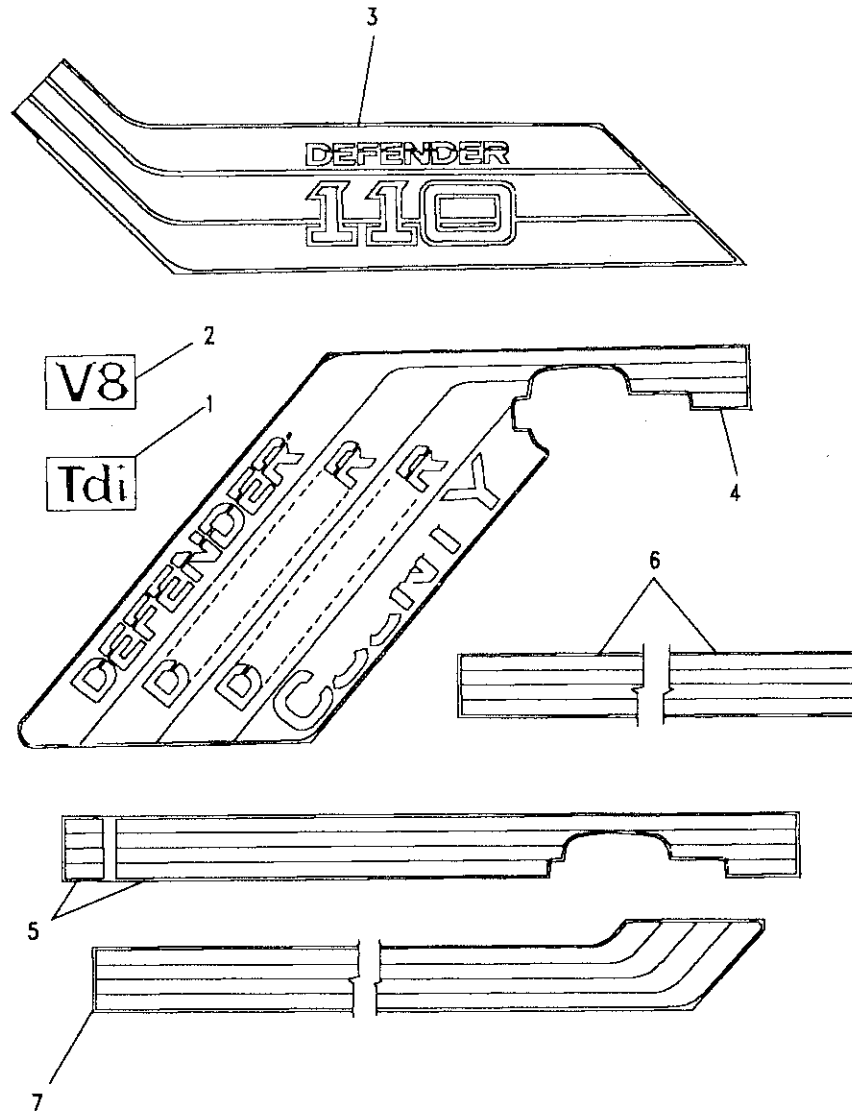
turbo

V8

1

2





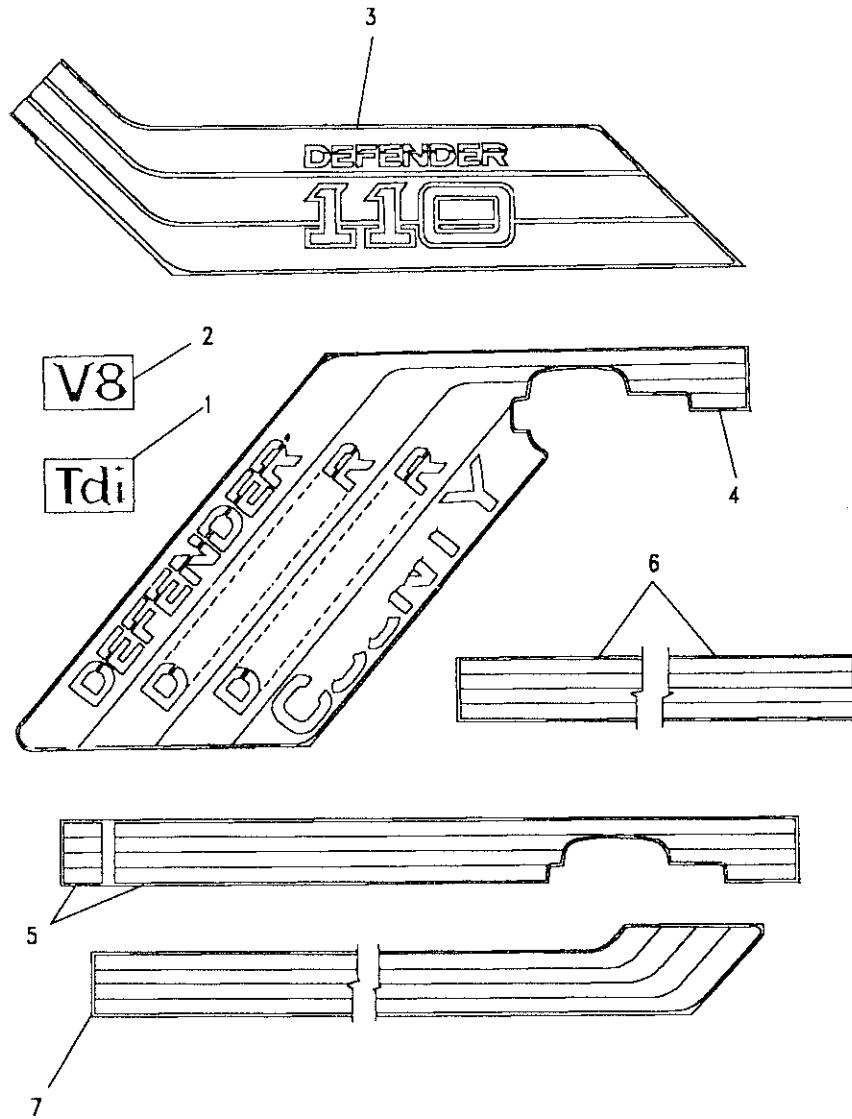
**Model** DEFENDER 110 1987 onwards  
**Page** AFNXQA6A

**BODY - BODYTAPES**

Ill. Part No.	Description	Qty	Remarks
<b>1991 Model Year</b>			
1	BTR516MUB	2	From HA455946
2	BTR514MUB	2	From HA455946
<b>Except County Station Wagon</b>			
3	BTR1054RUK	1	From HA455962
	BTR1055RUK	1	From HA455962
<b>County Station Wagon</b>			
4	BTR1056RUV	1	From HA455646
	BTR1057RUV	1	From HA455646
	BTR1056RUW	1	From HA455962
	BTR1057RUW	1	From HA455962
5	BTR164RUV	1	From HA455946
	BTR165RUV	1	From HA455946
	BTR164RUW	1	From HA455962
	BTR165RUW	1	From HA455962







**Model** DEFENDER 110 1987 onwards  
**Page** AFNXQA6A

**BODY - BODYTAPES**

III. Part No.	Description	Qty	Remarks
---------------	-------------	-----	---------

1991 Model Year

**Except County Station Wagon**

6	BTR98RUK	Tape bodyside 1300mm	A/R From HA455962
---	----------	----------------------	-------------------

**County Station Wagon**

7	BTR162RUV	Tape bodyside RH	1 From HA455946
	BTR163RUV	Tape bodyside LH	1 From HA455946
	BTR162RUW	Tape bodyside RH	1 From HA455962
	BTR163RUW	Tape bodyside LH	1 From HA455962

Note(1) Chassis Cab = 500mm, Pick Up, Hard/Soft Top = 2600mm, High Capacity Pick Up = 3100mm

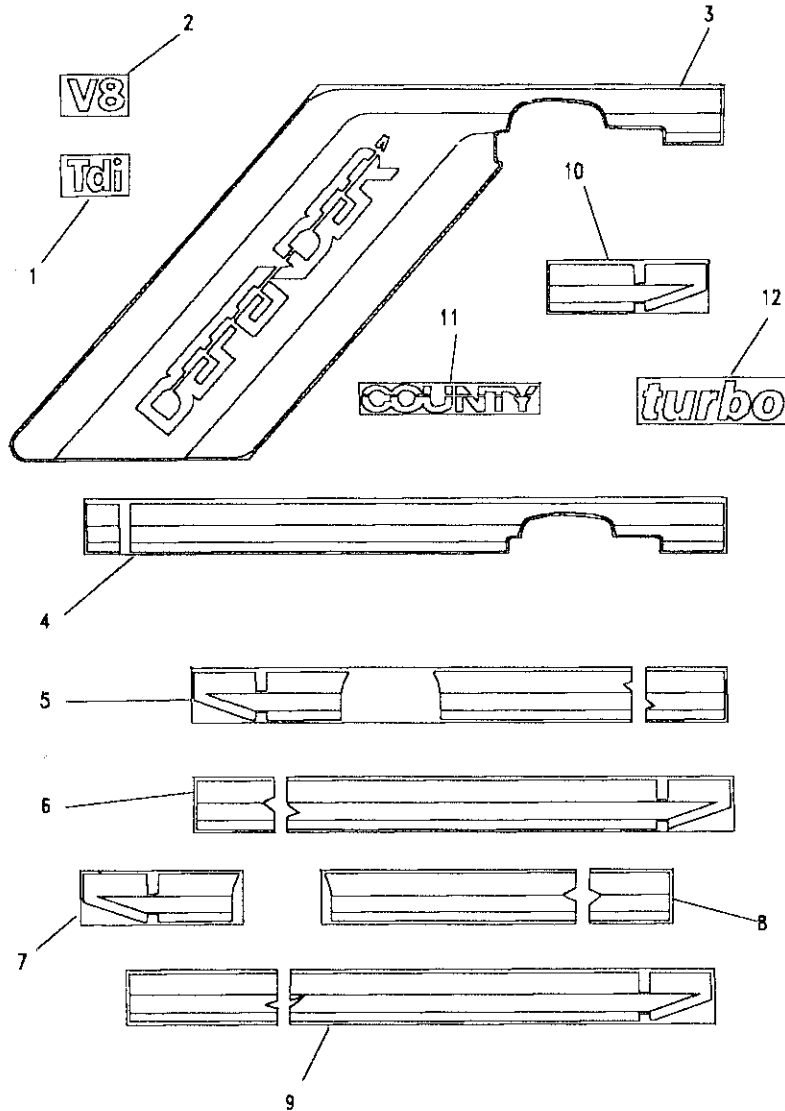
Note(2) MUB = Silver on Black background

Note(3) RUK = Multi Green (Light Red on Dark Green, Greenish White, and Turquoise)

Note(4) RUV = Strobe Blue (Greenish White, Pale Blue, Bright Blue, and Mid Blue)

Note(5) RUW = Strobe Green (Apple White, Light Green, Dark Green, Green)





**Model** DEFENDER 110 1987 onwards

**Page** AFNXQA7A

**BODY - BODYTAPES**

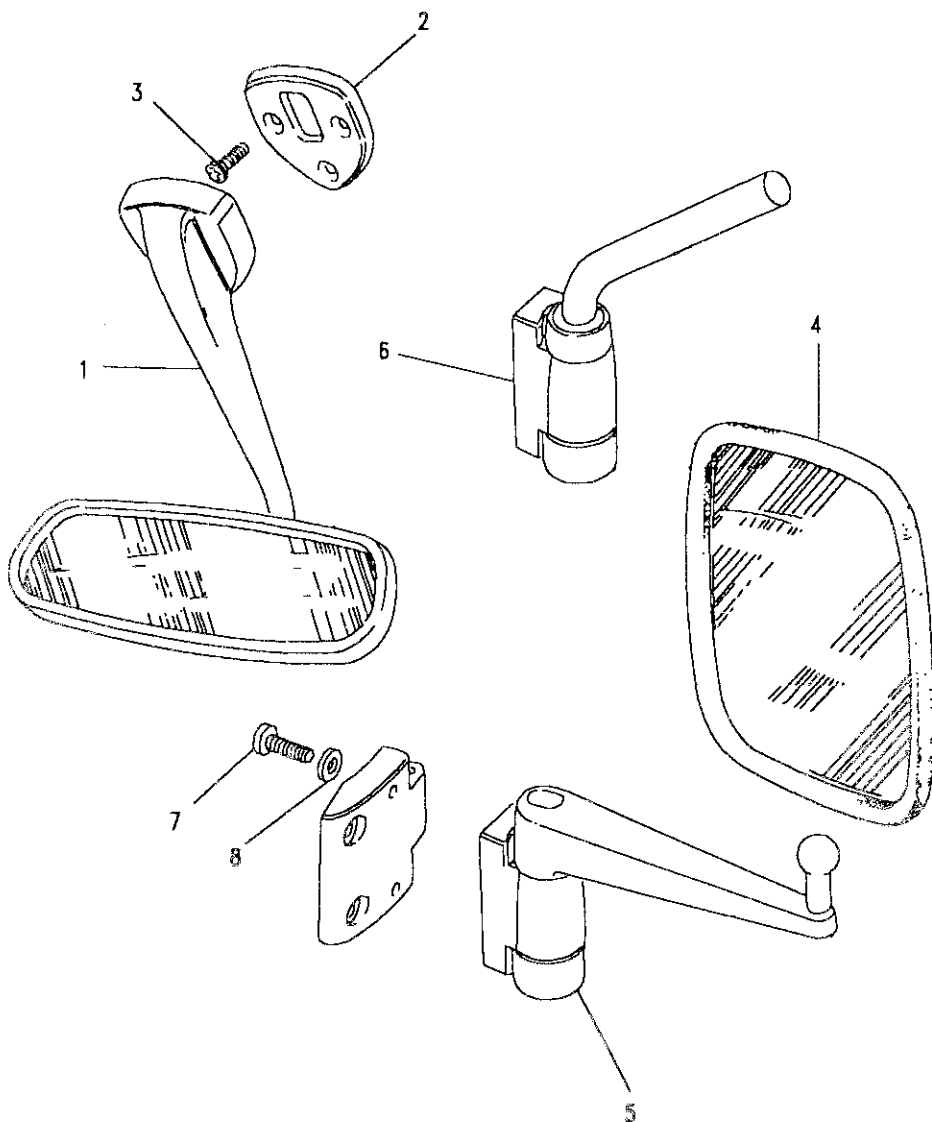
III. Part No.	Description	Qty	Remarks
<b>1992 Model Year</b>			
1 BTR516LVA	Badge front wing 'Tdi'	2	
2 BTR514LVA	Badge front wing 'V8'	2	
3 BTR2408RWF	Tape front door RH	1	
BTR2407RWF	Tape front door LH	1	
<b>Station Wagon</b>			
4 BTR2409RWF	Tape rear side door LH	1	
BTR2410RWF	Tape rear side door RH	1	
5 BTR2412RWF	Tape rear quarter RH	1	
6 BTR2411RWF	Tape rear quarter LH	1	
<b>Non Station Wagon</b>			
7 BTR2980RWF	Tape bodyside RH	1	
8 BTR2746RWF	Tape bodyside RH	1	
9 BTR2745RWF	Tape bodyside LH	1	
<b>High Capacity Pick Up and Chassis Cab</b>			
10 BTR2414RWF	Tape bodyside RH	1	
BTR2415RWF	Tape bodyside LH	1	
11 BTR2413SUJ	Tape bodyside 'County'	2	
12 MWC8256LVA	Badge rear 'Turbo'	1	

Note(1) LVA = Light Grey  
 Note(2) RWF = Dark/Light Grey  
 Note(3) SUJ = Beige



Model DEFENDER 110 1987 onwards  
 Page AFNXRA1A

BODY - MIRRORS - INTERIOR AND EXTERIOR

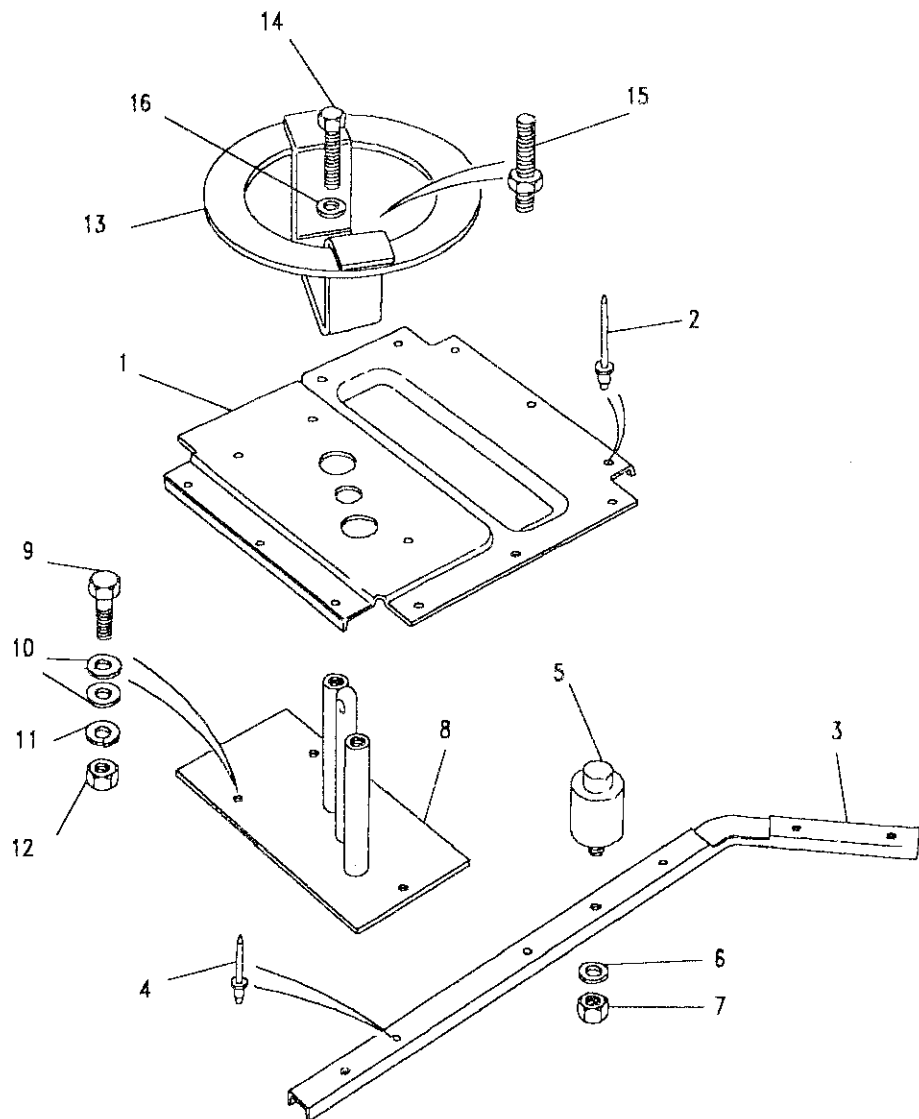


III. Part No.	Description	Qty	Remarks
1	MRC9564	1	
	MTC6376	1	Dipping
2	372336	1	
3	SF104204L	3	Vehicles with trim
	SF104164	3	Vehicles less trim
4	MTC5084	2	Convex
	MRC9747	2	Flat
	MUC3707	1	Flat-Australia
	MUC3708	1	Flat-Australia
	RTC4341	2	Mirror glass
	RTC4340	2	Mirror glass
	RTC4342	2	Mirror glass
5	MTC5083	2	Mirror arm
6	MRC4583	2	Mirror arm
	MTC5083	2	Mirror arm
7	SE604071L	4	Screw
8	MRC1979	4	Washer nylon

Model DEFENDER 110 1987 onwards  
 Page AFNXTA1A

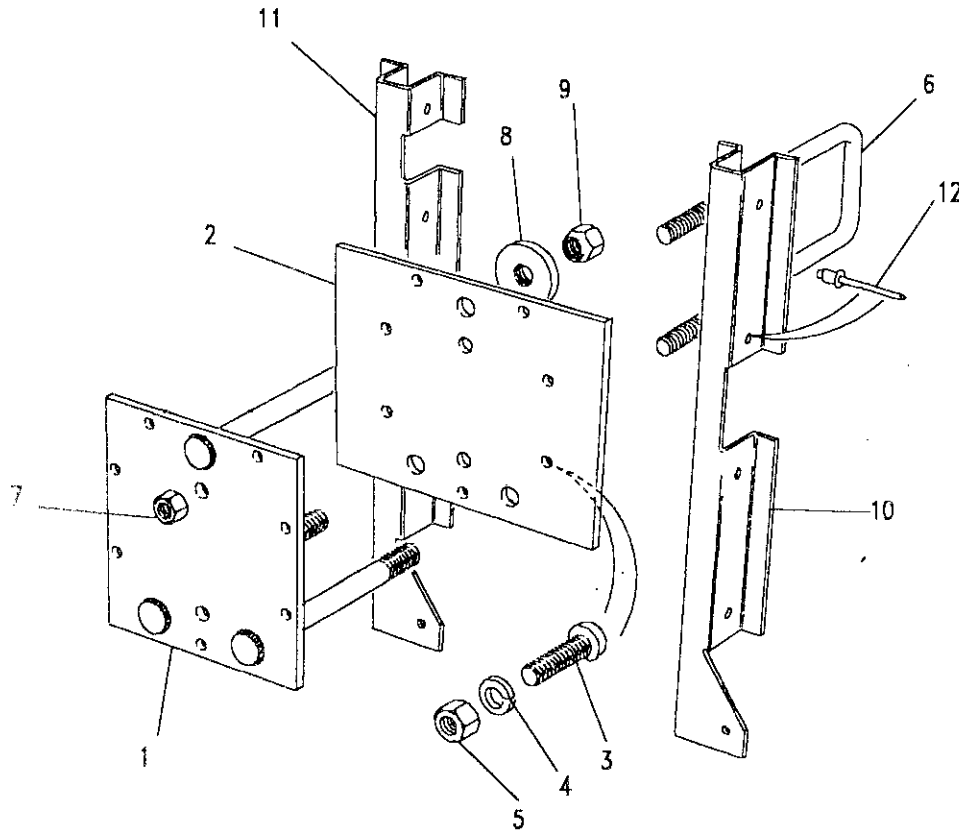
BODY - SPARE WHEEL CARRIER - BONNET

Ill. Part No.	Description	Qty	Remarks
1	MUC2443 Plate	1	
2	RA612183 Rivet	11	
3	MUC6418 Channel RH	1	
	MUC6419 Channel LH	1	
4	RA612183 Rivet	10	
5	MRC4619 Buffer rubber	4	
6	WB108051L Washer plain	4	
7	NY108041L Nut	4	
8	MUC2442 Plate clamping	1	
9	SH105161L Screw	3	
10	WA105001L Washer plain	6	
11	WL105001L Washer spring	3	
12	NH105041L Nut	3	
13	MUC2440 Retainer spare wheel	1	
14	MRC4473 Bolt	2	Upto 1991MY
	MRC4473 Bolt	1	1991MY
15	BTR549 Screw	1	1991MY
16	WD112081L Washer plain	2	



Model DEFENDER 110 1987 onwards  
 Page AFNXTA2A

BODY - SPARE WHEEL CARRIER - REAR END DOOR



III. Part No.	Description	Qty	Remarks
1	MUC2366	1	Carrier spare wheel
	ALR2377	1	Carrier spare wheel
2	MUC2934	1	Plate clamp
	MXC7228	1	Plate clamp
	ALR2378	1	Plate clamp
3	SE106251L	7	Screw
4	WL106001L	7	Washer spring
5	NH106041L	7	Nut
	SE106251L	11	Screw
	WL106001L	11	Washer spring
	NH106041L	11	Nut
6	MUC2364	1	U bolt
7	NH112041L	4	Nut
8	MUC2368	3	Washer threaded
	MUC4546	3	Nut M16
9	90577473	3	Wheel nut
10	MXC7226	1	Stiffener RH
11	MXC7227	1	Stiffener LH
12	78248	22	Rivet



Model DEFENDER 110 1987 onwards

Page AFNXUA1A

**BODY - HOOD - FULL LENGTH**

**Ill. Part No.**

**Description**

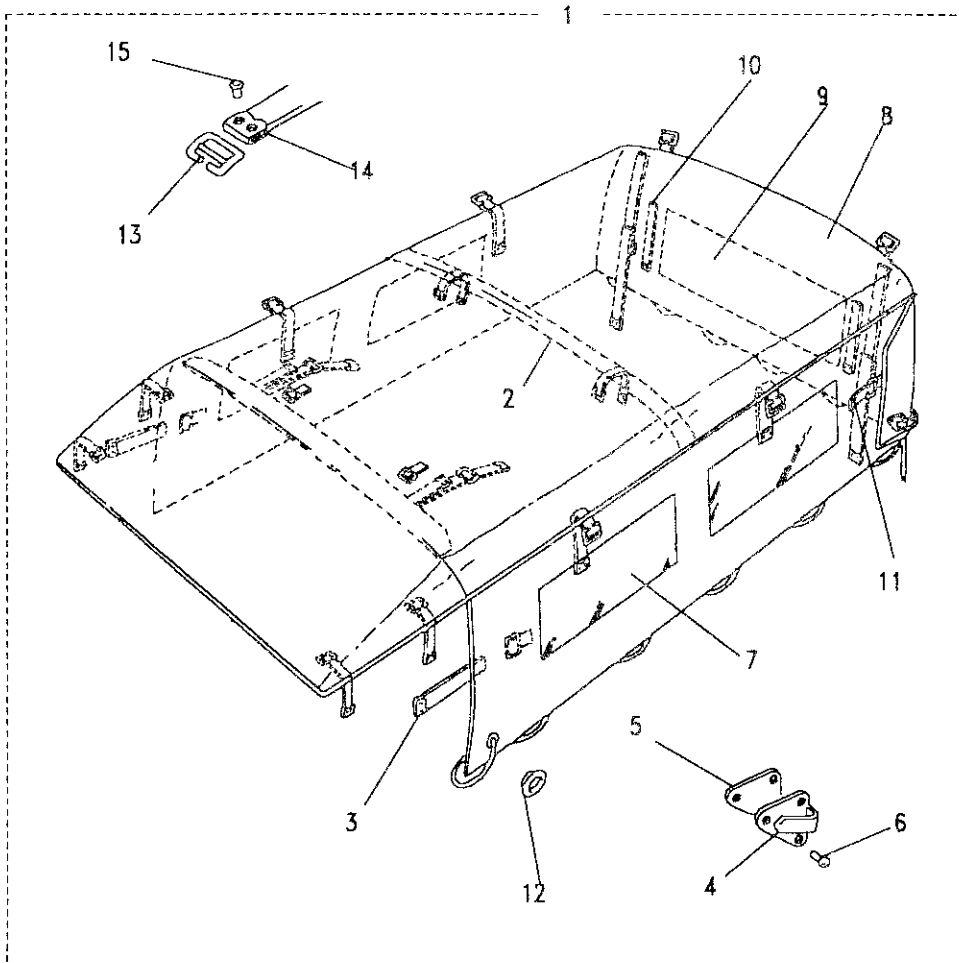
**Qty Remarks**

**With side windows**

1	MTC7710AG	Hood	1	Khaki green
	MTC7710AE	Hood	1	Matt sand

**With plain sides**

1	MTC7711AG	Hood	1	Khaki green
	MTC7711AE	Hood	1	Matt sand
2	331249	Support and Straps	1	NLA
3	90301332	Strap side curtain	2	Khaki green
4	304797	Rope Hook	2	
5	301343	Washer Plate	2	
6	3547	Rivet	6	
7	MTC4314	Sidelight	4	
8	MWC1092AG	Rear Curtain	1	Khaki green
	MTC7193AE	Rear curtain	1	Matt sand
9	MTC4313	Backlight	1	
10	339935	Strap rear curtain	2	Khaki green
				No longer serviced
11	90301332	Strap extension flap	2	Khaki green

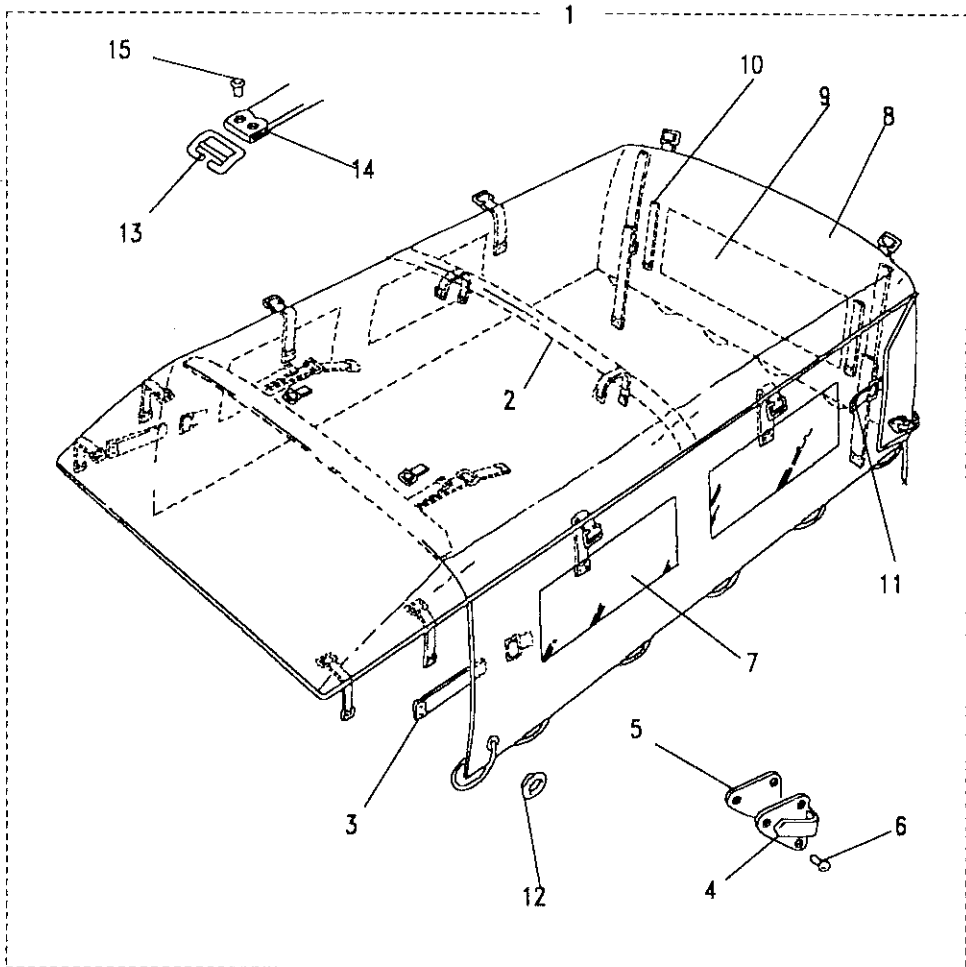




Model DEFENDER 110 1987 onwards  
Page AFNXUA1A

BODY - HOOD - FULL LENGTH

III. Part No.	Description	Qty	Remarks
331221	Rope rear curtain	1	
331222	Rope hood top and sides	1	
12 301321	Eyelet	A/R	
301320	Eyelet	A/R	No longer serviced
13 300953	Buckle	A/R	
14 300954	End Cap	A/R	
15 396800	Eyelet	A/R	

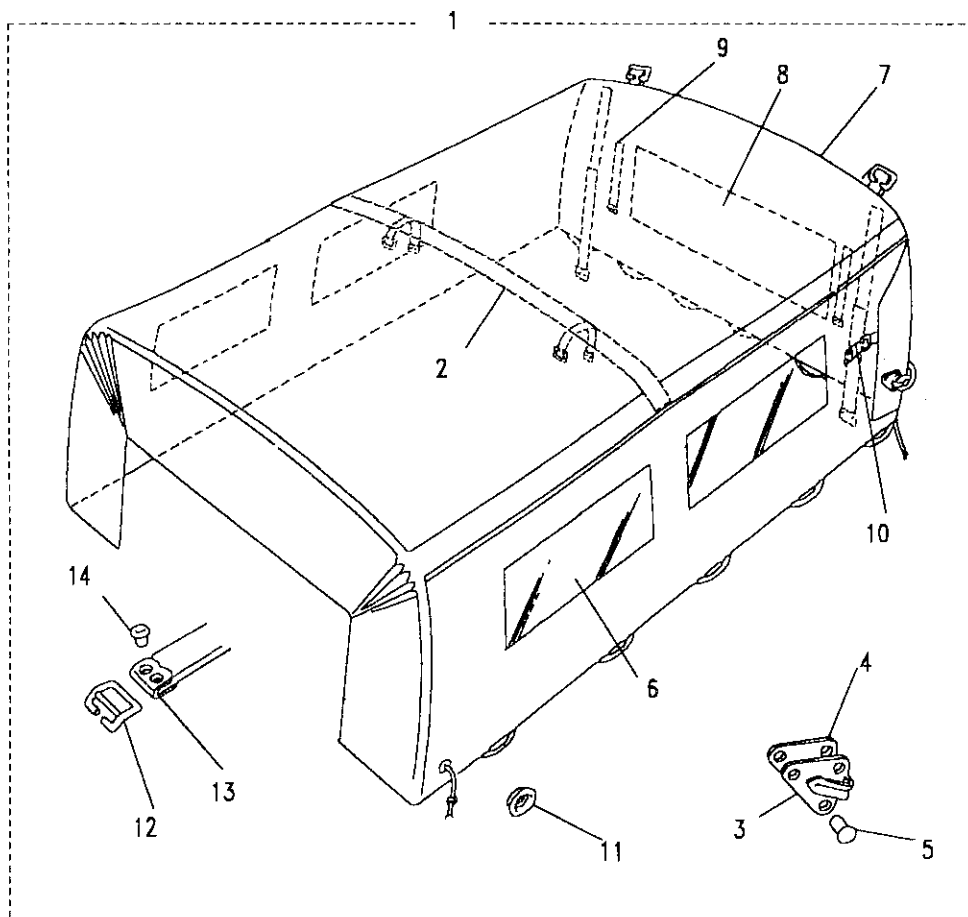




Model DEFENDER 110 1987 onwards

Page AFNXUA2A

**BODY - HOOD - THREE QUARTER LENGTH - CAB FIXING**



III. Part No.	Description	Qty	Remarks
<b>With sides windows - Upto VIN 283701</b>			
1 MTC7200AG	Hood	1	Khaki green
MTC7200AE	Hood	1	Matt sand
<b>With plain sides = Upto VIN 285842</b>			
1 MTC7471AG	Hood	1	Khaki green
MTC7471AE	Hood	1	Matt sand
2 331249	Support and straps	1	Khaki green No Longer serviced
3 304797	Rope hook	2	
4 301343	Washer plate	2	
5 RF608041	Rivet	6	
6 MTC4314	Sidelight	4	
7 MWC1092AG	Rear Curtain	1	Khaki green
MTC7193AE	Rear curtain	1	Matt sand
8 MTC4313	Backlight	1	
9 339935	Strap rear curtain	2	Khaki green No longer serviced
10 90301332	Strap extension flap	2	Khaki green

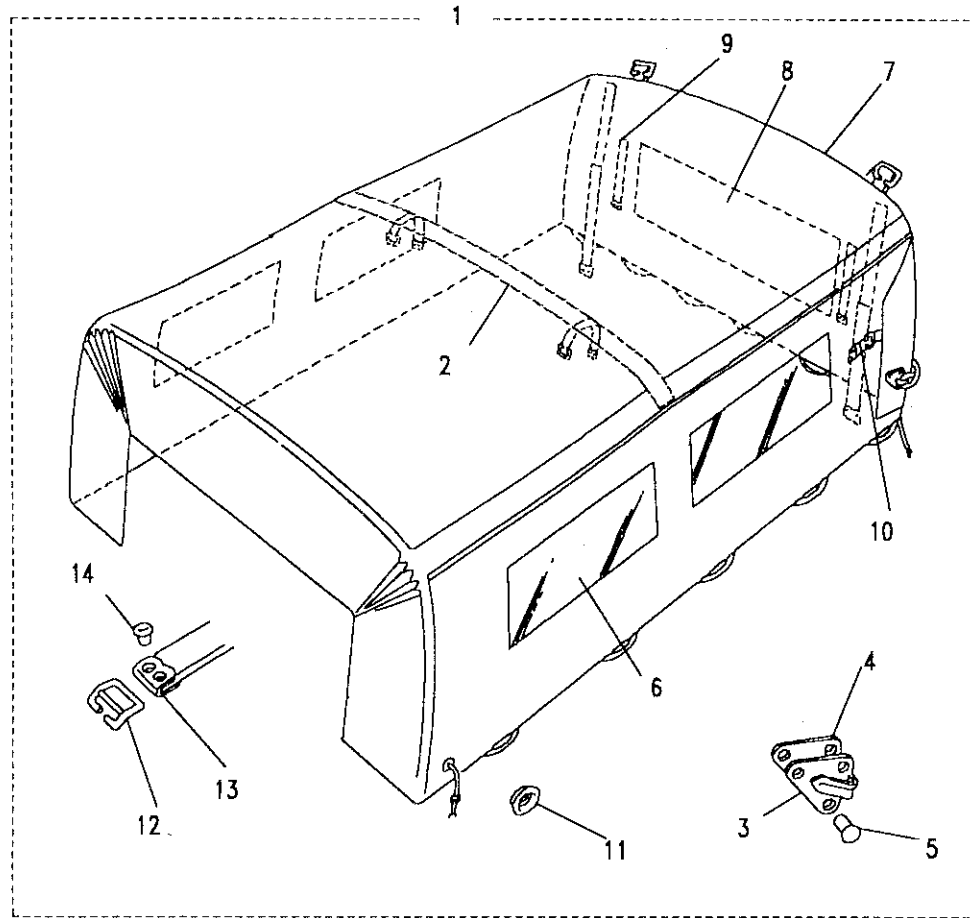






Model DEFENDER 110 1987 onwards  
Page AFNXUA2A

BODY - HOOD - THREE QUARTER LENGTH - CAB FIXING



Ill. Part No.	Description	Qty	Remarks
331221	Rope rear curtain	1	
331222	Rope hood top and sides	1	
11 301321	Eyelet	A/R	
301320	Eyelet	A/R	No longer serviced
12 300953	Buckle	A/R	
13 300954	End Cap	A/R	
14 396800	Eyelet	A/R	



**Model** DEFENDER 110 1987 onwards  
**Page** AFNXUA3A

**BODY - HOOD - THREE QUARTER LENGTH - BULKHEAD FIXING**

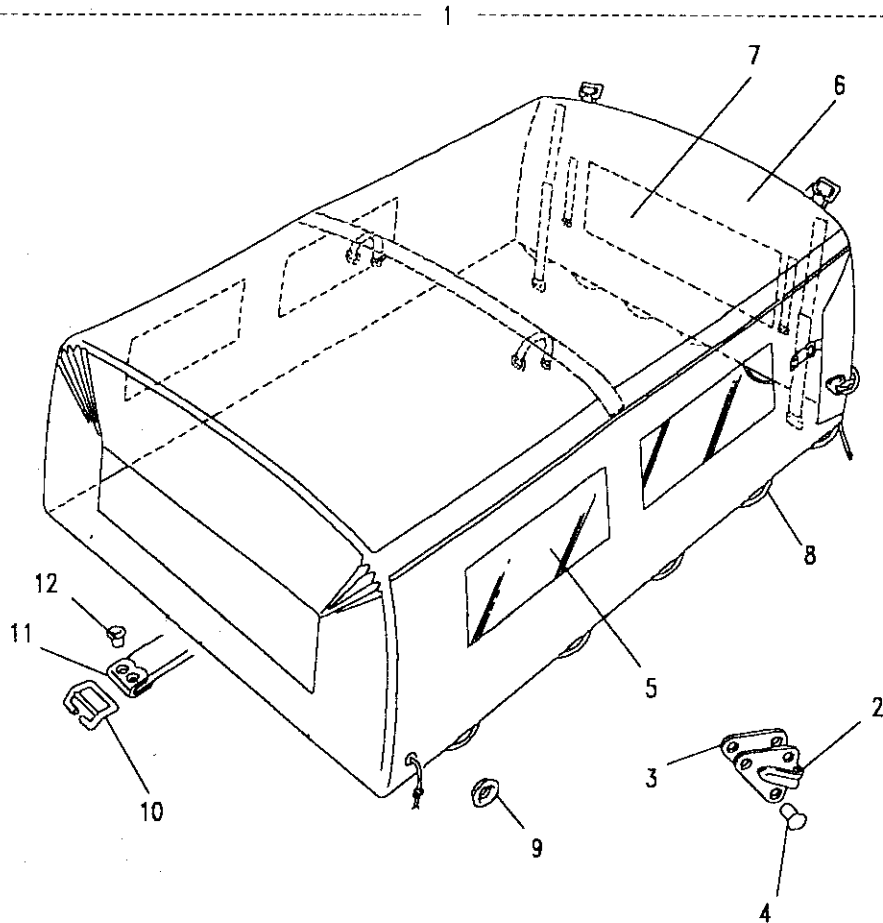
**III. Part No. Description Qty Remarks**

**With side windows - From VIN 283702**

1	MUC7916AG	Hood	1	Khaki green
	MUC7916AE	Hood	1	Matt sand

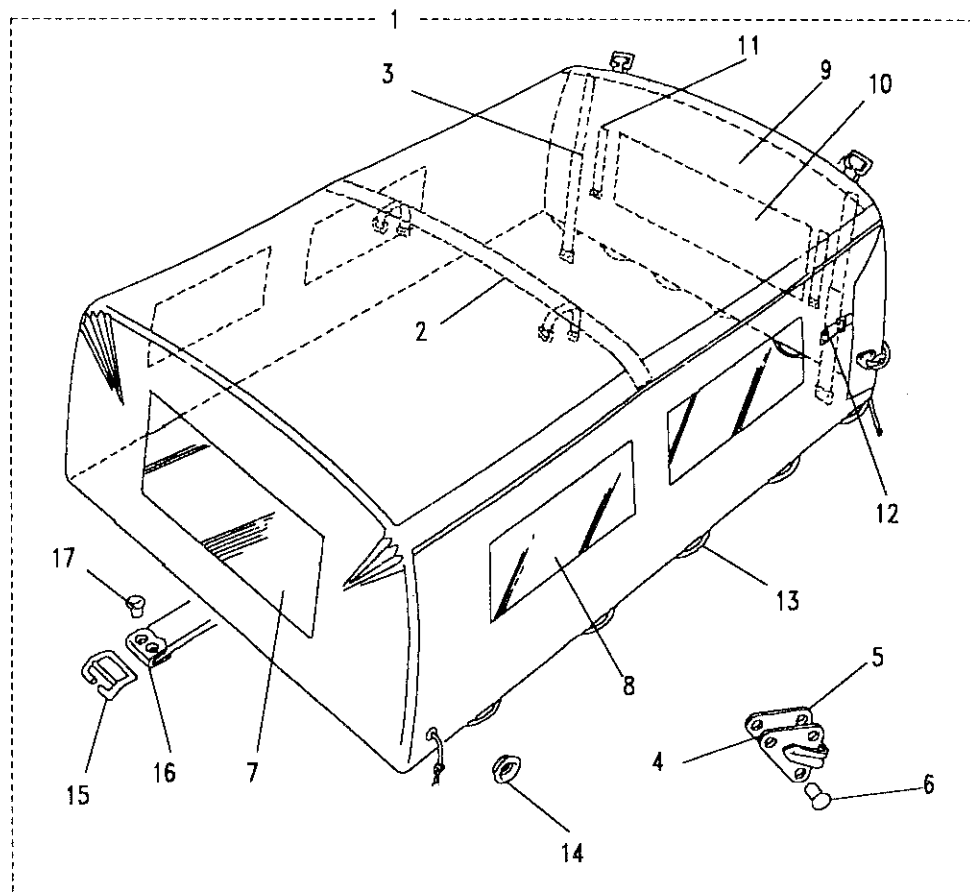
**With plain sides - From VIN 285843**

1	MUC7915AG	Hood	1	Khaki green
	MUC7915AE	Hood	1	Matt sand
2	304797	Rope hook	2	
3	301343	Washer plate	2	
4	RF608041	Rivet	6	
5	MTC4314	Sidelight	4	
6	MWC1092AG	Rear curtain	1	Khaki green
	MTC7193AE	Rear curtain	1	Matt sand
7	MTC4313	Backlight	1	
8	331221	Rope rear curtain	1	
	331222	Rope hood top and sides	1	
9	301321	Eyelet	A/R	
	301320	Eyelet	A/R	No longer serviced
10	300953	Buckle	A/R	
11	300954	End Cap	A/R	
12	396800	Eyelet	A/R	



**Model** DEFENDER 110 1987 onwards  
**Page** AFNXUA4A

**BODY - HOOD - HIGH CAPACITY PICK UP**



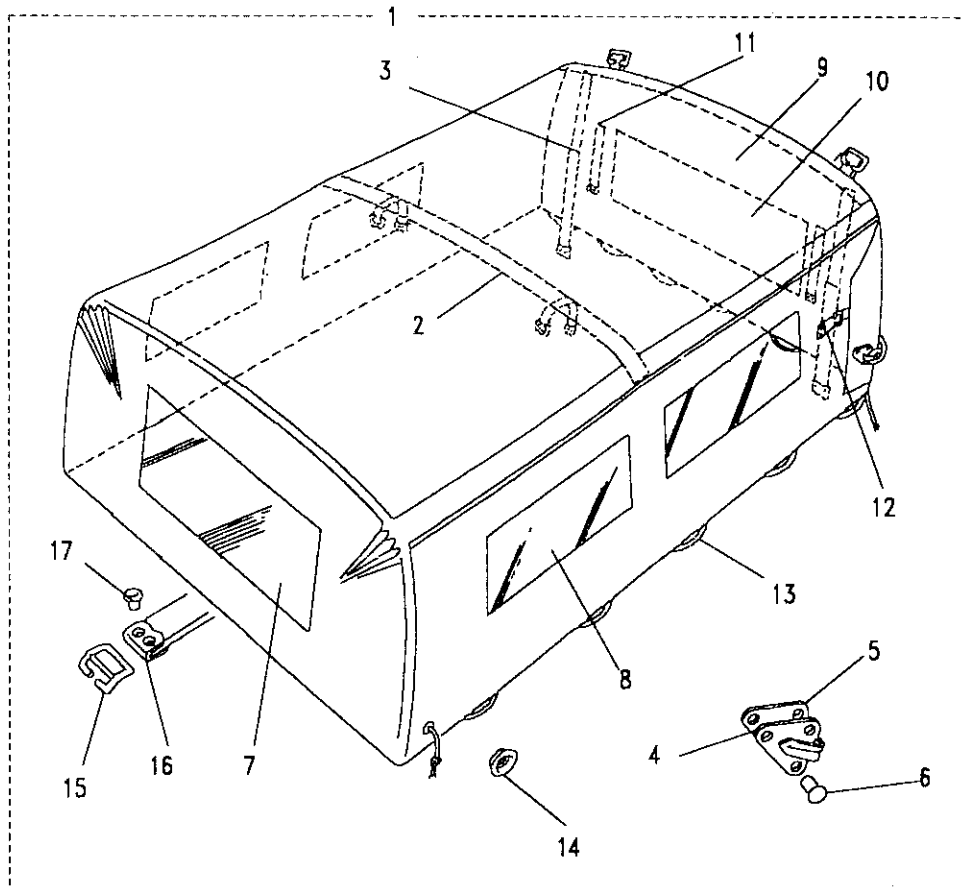
III. Part No.	Description	Qty	Remarks
<b>Defender 110 - With side windows</b>			
1 MTC2575AG	Hood	1	Khaki green
MTC2575AE	Hood	1	Matt sand
<b>Defender 110 - With plain sides</b>			
1 MTC2574AG	Hood	1	Khaki green
MTC2574AE	Hood	1	Matt sand
<b>Defender 130 - With side windows</b>			
1 RRC2963ABE	Hood	1	Matt sand
<b>Defender 130 - With plain sides</b>			
1 RRC2481ABE	Hood	1	Matt sand
2 MTC4063	Support and straps	1	Khaki green No longer serviced
3 MTC4317	Support and straps	1	Khaki green No longer available

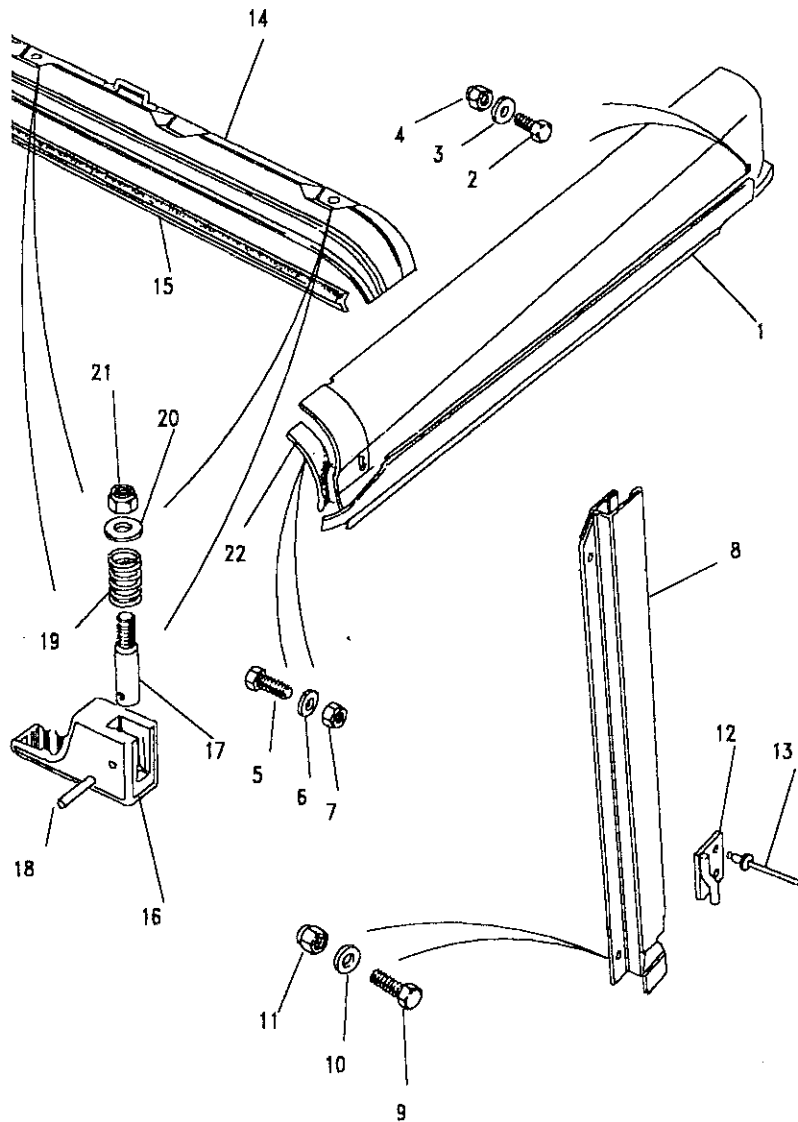
**Model** DEFENDER 110 1987 onwards  
**Page** AFNXUA4A

**BODY - HOOD - HIGH CAPACITY PICK UP**

III. Part No.	Description	Qty	Remarks
4	304797 Rope Hook	4	
5	301343 Washer Plate	4	
6	RF608041 Rivet	12	
7	MTC4313 Front light	1	
8	MTC4314 Side light	4	
9	MTC4061AG Rear curtain	1	Khaki green
	MTC4061AE Rear curtain	1	Matt sand
10	MTC4313 Back light	1	
11	339935 Strap rear curtain	2	Khaki green No longer serviced
12	90301332 Strap extension flap	2	Khaki green
13	MTC4315 Rope side curtain	2	
	331221 Rope rear curtain	1	
	MTC4319 Rope hood top and sides	1	
14	301321 Eyelet	A/R	
	301320 Eyelet	A/R	No longer serviced
15	300953 Buckle	A/R	
16	300954 End Cap	A/R	
17	396800 Eyelet	A/R	
	MTC8376 Pad wearing	1	Note(1)

Note(1) Side window protection - Fitted to spare wheel mounting bracket



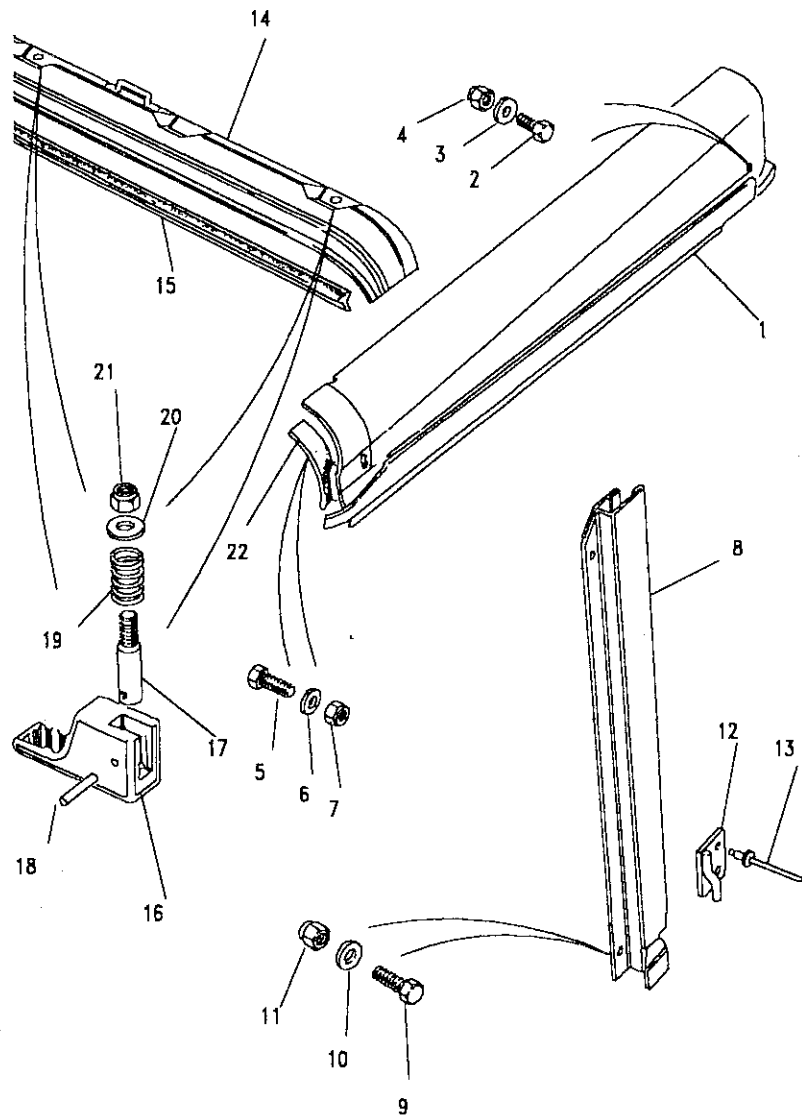


Model DEFENDER 110 1987 onwards  
 Page AFNXUC1A

**BODY - DRAIN CHANNELS - FULL LENGTH HOOD**

III. Part No.	Description	Qty	Remarks
1	RRC3972	1	Channel top drain RH
	RRC3973	1	Channel top drain LH
2	FS106201L	2	Flange screw
3	AFU1080	4	Washer plain
4	NY106041L	2	Nut
5	FS106167L	2	Screw
6	AFU1080	4	Washer plain
7	NY106041L	2	Nut
8	MTC5428	1	Channel side drain RH
	MTC5429	1	Channel side drain LH
9	FS106167L	4	Screw
10	AFU1080	8	Washer plain
11	NY106041L	4	Nut
12	330578	1	Hook RH
	330579	1	Hook LH
13	78248	4	Rivet





Model DEFENDER 110 1987 onwards  
 Page AFNXUC1A

**BODY - DRAIN CHANNELS - FULL LENGTH HOOD**

Ill. Part No.	Description	Qty	Remarks
14	MTC9773 Header rail	1	
15	MTC7252 Seal	1	
16	MTC4581 Handle	4	
17	MTC4583 Spindle	4	
18	PA106201 Pin spring	4	
19	MTC4584 Spring	4	
20	WC106041L Washer plain	4	
21	NY106041L Nut	4	
22	MTC7431 Seal corner	2	
	AFU4162 Hook	6	Top drain channel
<b>Top drain channel to hoodstick</b>			
	MUC4538 Seal	2	
<b>Hood to header rail</b>			
	MUC4061ACG Strap	2	Khaki green
	MUC4061ABE Strap	2	Matt sand



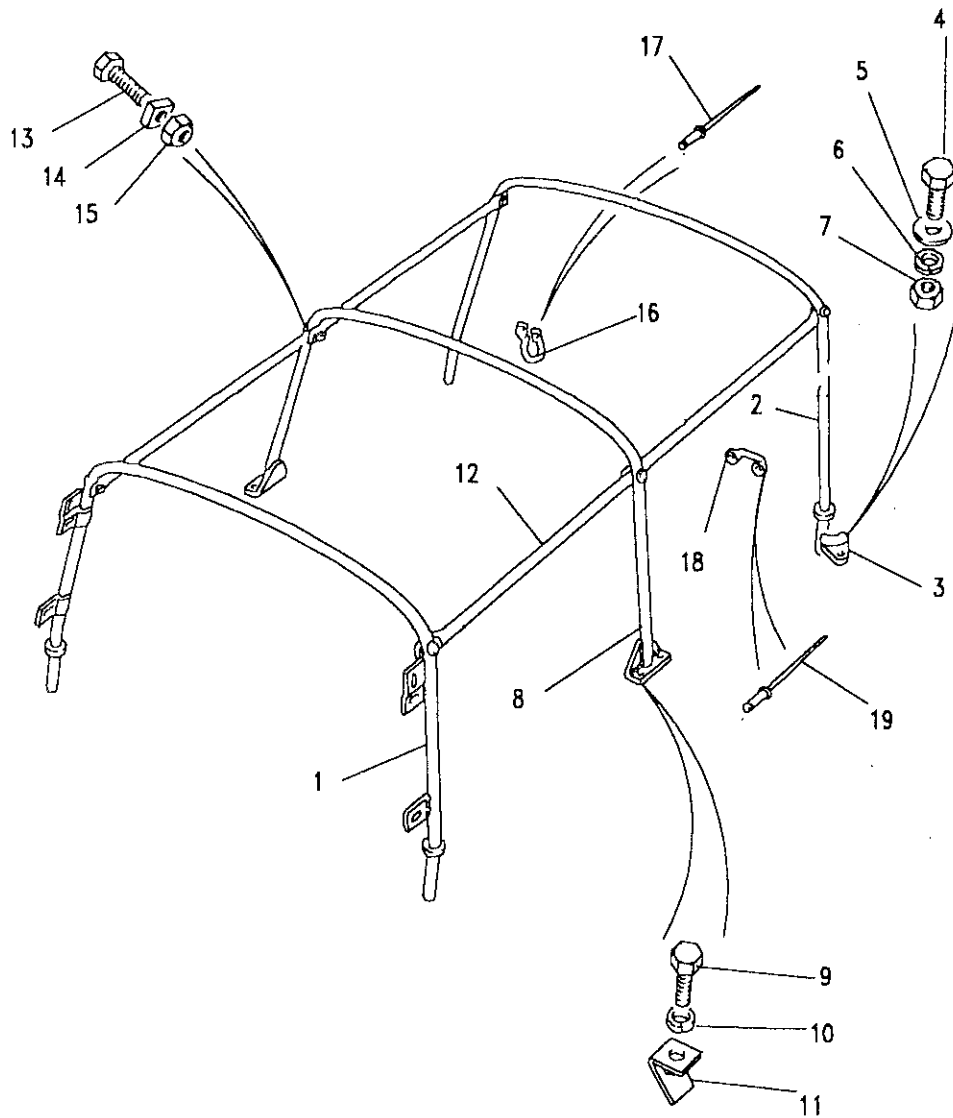


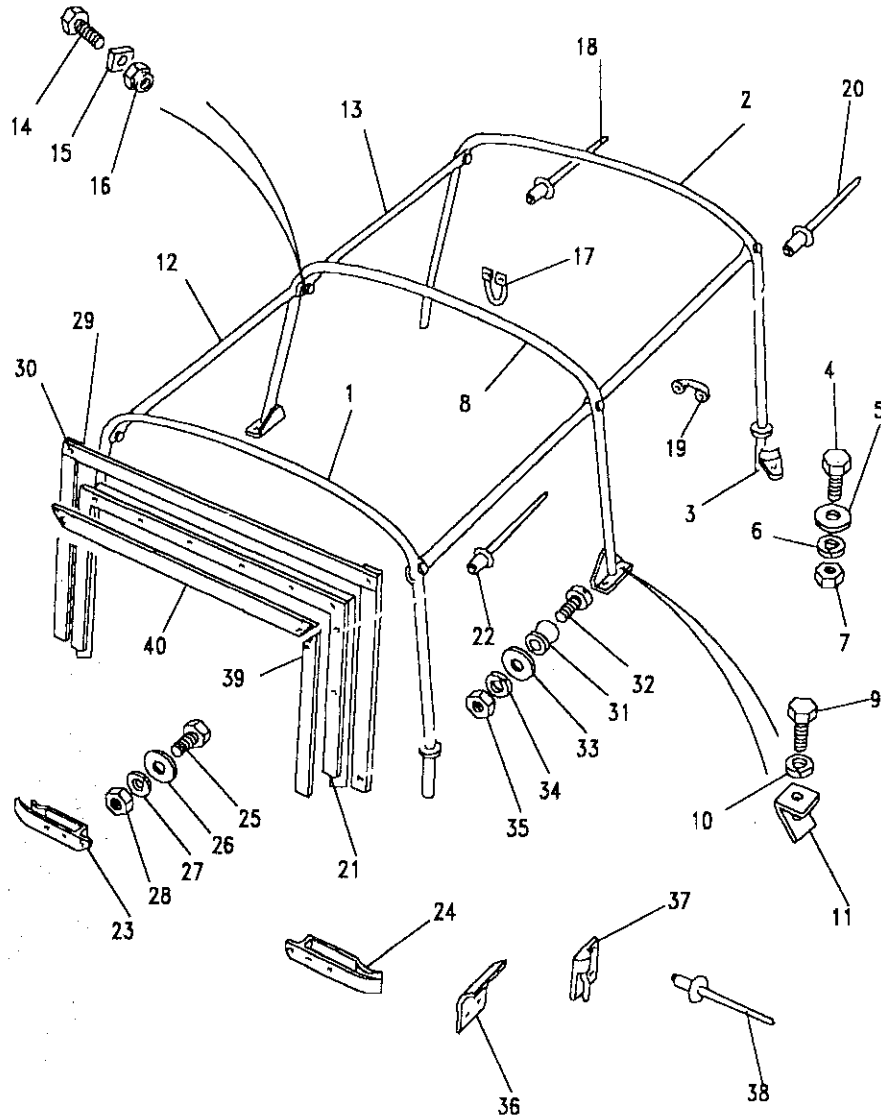
Model DEFENDER 110 1987 onwards  
Page AFNXUC2A

BODY - HOODSTICKS - FULL LENGTH HOOD

III. Part No. Description Qty Remarks

III. Part No.	Description	Qty	Remarks
1	MUC4524 Hoodstick front	1	
2	330553 Hoodstick rear	1	
3	304301 Clamp	4	
4	FS108251L Bolt	4	
5	WA108051L Washer plain	4	
6	WL108001L Washer spring	4	
7	FN108041L Nut	4	
8	330699 Hoodstick intermediate	1	
9	SR106201 Screw	4	
10	MRC5527 Washer plain	4	
11	WL106001L Washer spring	4	
12	MRC9603 Nut plate	4	
13	330896 Tie tube	4	
14	SA106401 Screw	2	Centre
15	SA106351 Screw	4	Front and rear
16	NS106011 Nut square	6	
17	NY106041L Nut	6	
18	345699 Rope hook	2	
19	RR612103 Rivet	4	
20	395143 Staple	2	
21	RA612373L Rivet	4	



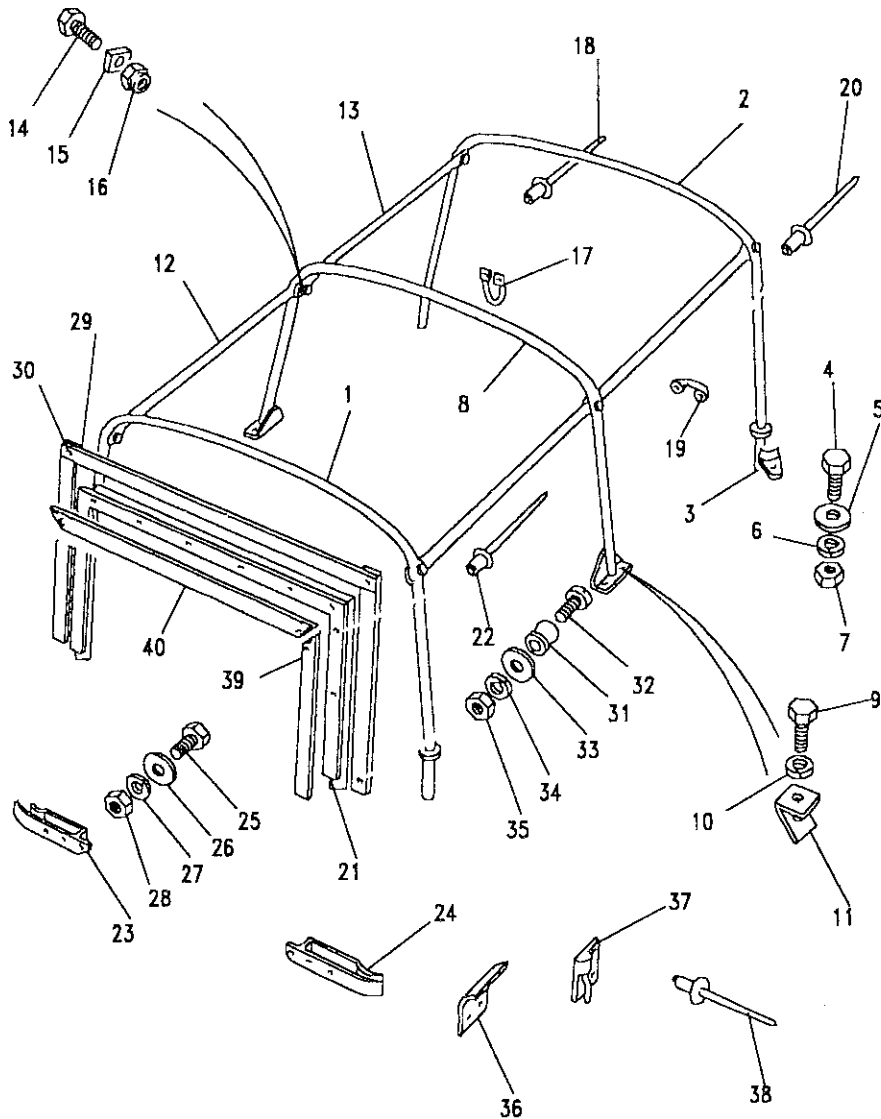


**Model** DEFENDER 110 1987 onwards  
**Page** AFNXUC3A

**BODY - HOODSTICKS - 3/4 HOOD - CAB FIXING**

Ill. Part No.	Description	Qty	Remarks
1	330553 Hoodstick front	1	
2	330553 Hoodstick rear	1	
3	304301 Clamp	4	
4	FS108251L Bolt	4	
5	WA108051L Washer plain	4	
6	WL108001L Washer spring	4	
7	FN108041L Nut	4	
8	330699 Hoodstick intermediate	1	
9	SR106201 Screw	4	
10	WL106001L Washer spring	4	
11	MRC9603 Nut plate	4	
12	330897 Tie tube front	2	
13	330896 Tie tube rear	2	
14	SA106401 Screw	2	Centre
	SA106351 Screw	4	Front and rear
15	NS106011 Nut square	6	
16	NY106041L Nut	6	
17	345699 Rope hook rear	2	
18	RR612103 Rivet	4	
19	395143 Staple	2	
20	RA612373L Rivet	4	
21	MTC7384 Frame hood	1	
22	RU612183 Rivet	12	





Model DEFENDER 110 1987 onwards  
 Page AFNXUC3A

BODY - HOODSTICKS - 3/4 HOOD - CAB FIXING

Ill. Part No.	Description	Qty	Remarks
23	331673	1	Channel drain RH
24	331674	1	Channel drain LH
25	SE106201L	4	Screw
26	AFU1080	4	Washer plain
27	WL106001L	4	Washer spring
28	NH106041L	4	Nut
29	331675	1	Strip retaining
30	331676	2	Strip retaining
31	348430	2	Stud
32	SE105351L	2	Screw
33	WA105001L	2	Washer plain
34	WL105001L	2	Washer spring
35	NM105011	2	Nut
36	334245	1	Hook RH
	334246	1	Hook LH
37	330578	1	Hook RH front
	330579	1	Hook LH front
38	78248	4	Rivet
39	MTC8145	2	Seal side
40	MTC8146	1	Seal front door



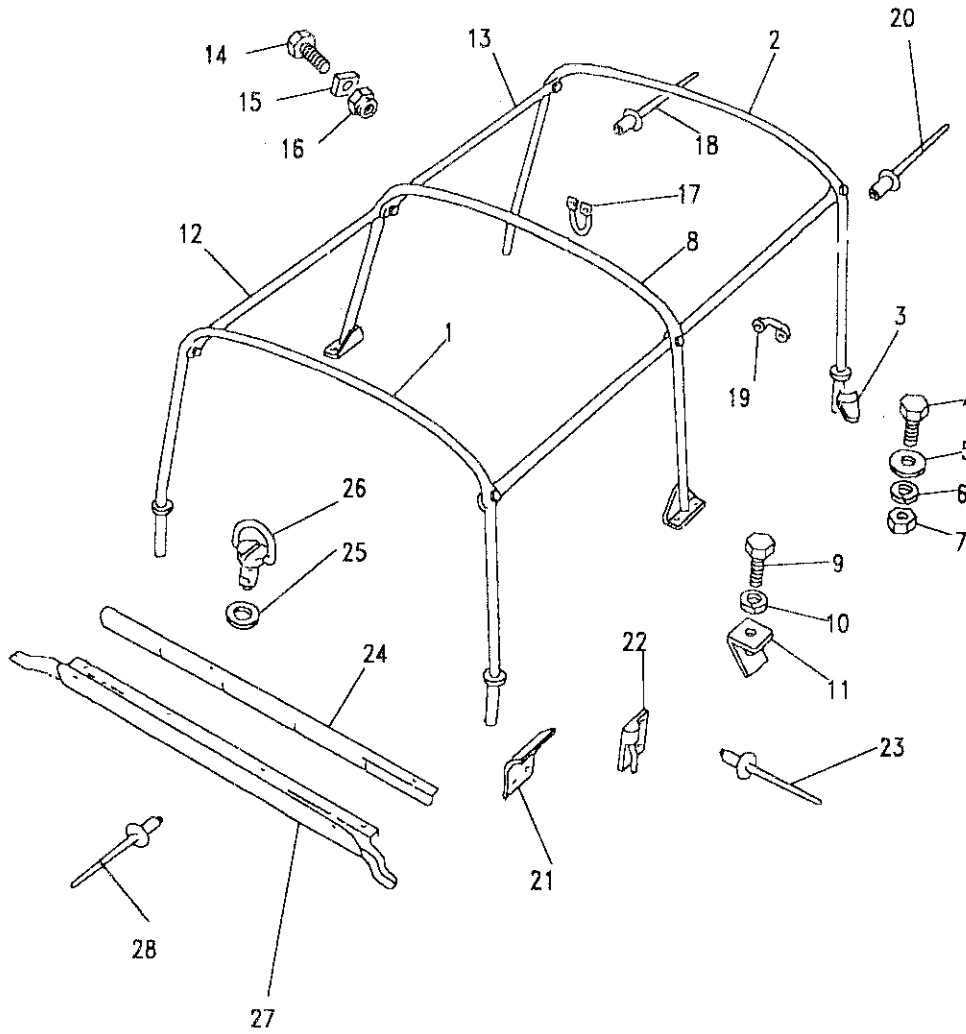
DEFENDER 110 1987 onwards

905

BODY AND CHASSIS

Model DEFENDER 110 1987 onwards  
Page AFNXUC4A

BODY - HOODSTICKS - 3/4 HOOD - BULKHEAD FIXING



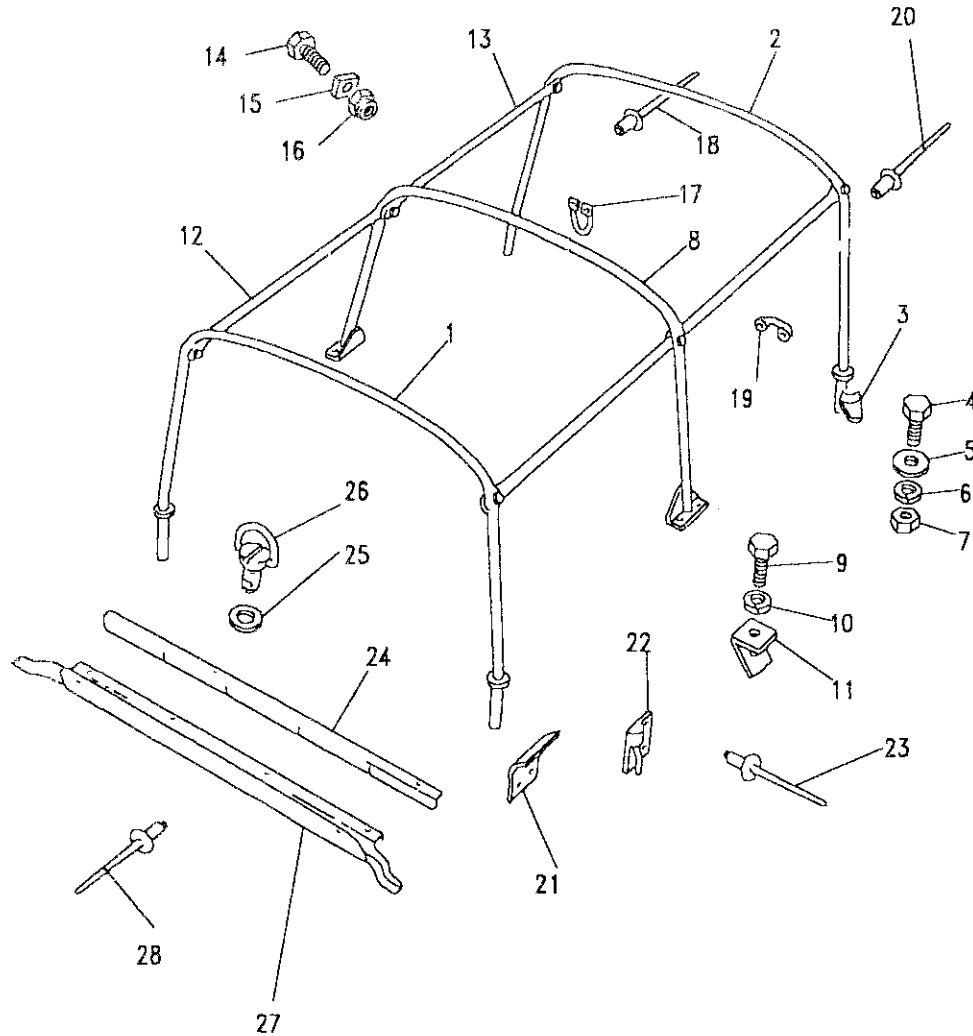
Ill. Part No.	Description	Qty	Remarks
1	330553 Hoodstick front	1	
2	330553 Hoodstick rear	1	
3	304301 Clamp	4	
4	FS108251L Bolt	4	
5	WA108051L Washer plain	4	
6	WL108001L Washer spring	4	
7	FN108041L Nut	4	
8	330699 Hoodstick intermediate	1	
9	SR106201 Screw	4	
10	WL106001L Washer spring	4	
11	MRC9603 Nut plate	4	
12	330897 Tie tube front	2	
13	330896 Tie tube rear	2	
14	SA106401 Screw	2	Centre
15	SA106351 Nut square	4	Front and rear
16	NS106011 Nut	6	
17	NY106041L Nut	6	
18	345699 Rope hook rear	2	
19	RR612103 Rivet	4	
20	395143 Staple	2	
	RA612373L Rivet	4	





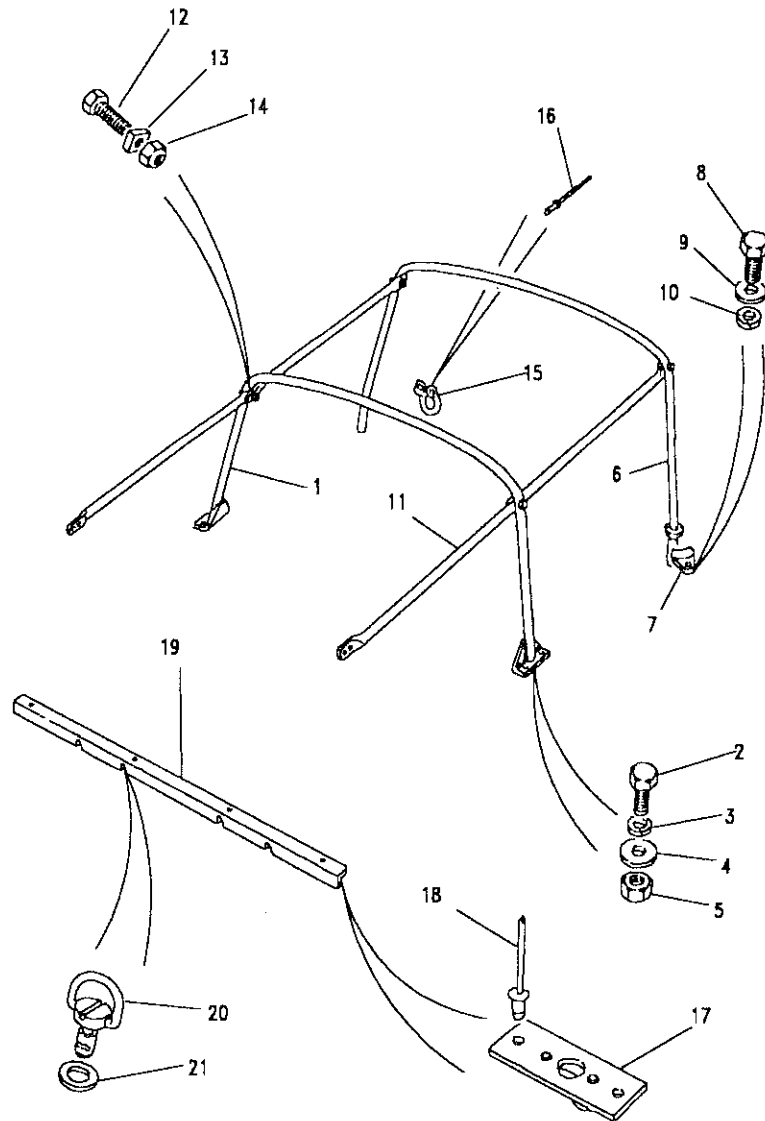
Model DEFENDER 110 1987 onwards  
 Page AFNXUC4A

BODY - HOODSTICKS - 3/4 HOOD - BULKHEAD FIXING



III. Part No.	Description	Qty	Remarks
21	334245	1	Hook RH
	334246	1	Hook LH
22	330578	1	Hook RH front
	330579	1	Hook LH front
23	78248	4	Rivet
24	MTC4054	1	Angle retaining
25	AAU2367	4	Retainer
26	AFU2503	4	Stud ring head
27	MUC7923	1	Channel drain
28	RU612373L	7	Rivet
	AFU2504	4	Spring plate
	RA610183	8	Rivet





**Model** DEFENDER 110 1987 onwards  
**Page** AFNXUC5A

**BODY - HOODSTICKS - HIGH CAPACITY PICK UP**

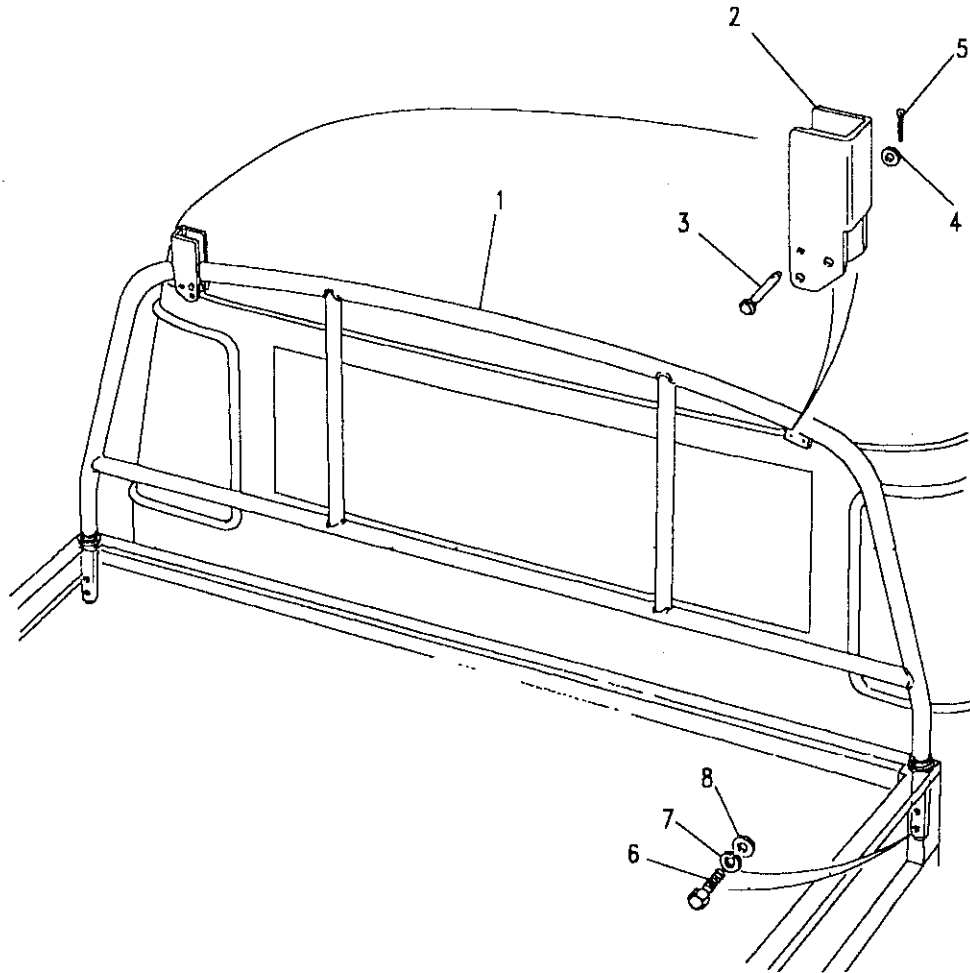
III. Part No.	Description	Qty	Remarks
1	MTC4943	1	Hoodstick intermediate
2	SH106201	4	Screw
3	WL106001L	4	Washer spring
4	WA106041L	4	Washer plain
5	NH106041L	4	Nut
6	MTC4944	1	Hoodstick rear
7	304301	2	Clamp
8	FS108207L	2	Screw
9	WA108051L	2	Washer plain
10	WL108001L	2	Washer spring
11	MTC4945	4	Tie tube
12	SA106451	6	Screw
13	NS106011	6	Nut square
14	NY106041L	6	Nut
15	345699	2	Rope hook
16	RU612373L	4	Rivet
17	AFU2504	4	Spring plate
18	RJ610243	8	Rivet
19	MTC4054	1	Angle retaining
20	AFU2503	4	Stud ring head
21	AAU2367	4	Retainer
<b>Defender 130</b>			
330897...	Tie bar front	2	Upto 20-8-89
RRC4422	Tie bar rear	2	Upto 20-8-89
RRC6365	Tie bar	4	From 21-8-89





Model DEFENDER 110 1987 onwards  
Page AFNXUC6A

BODY - LADDER RACK - HIGH CAPACITY PICK UP

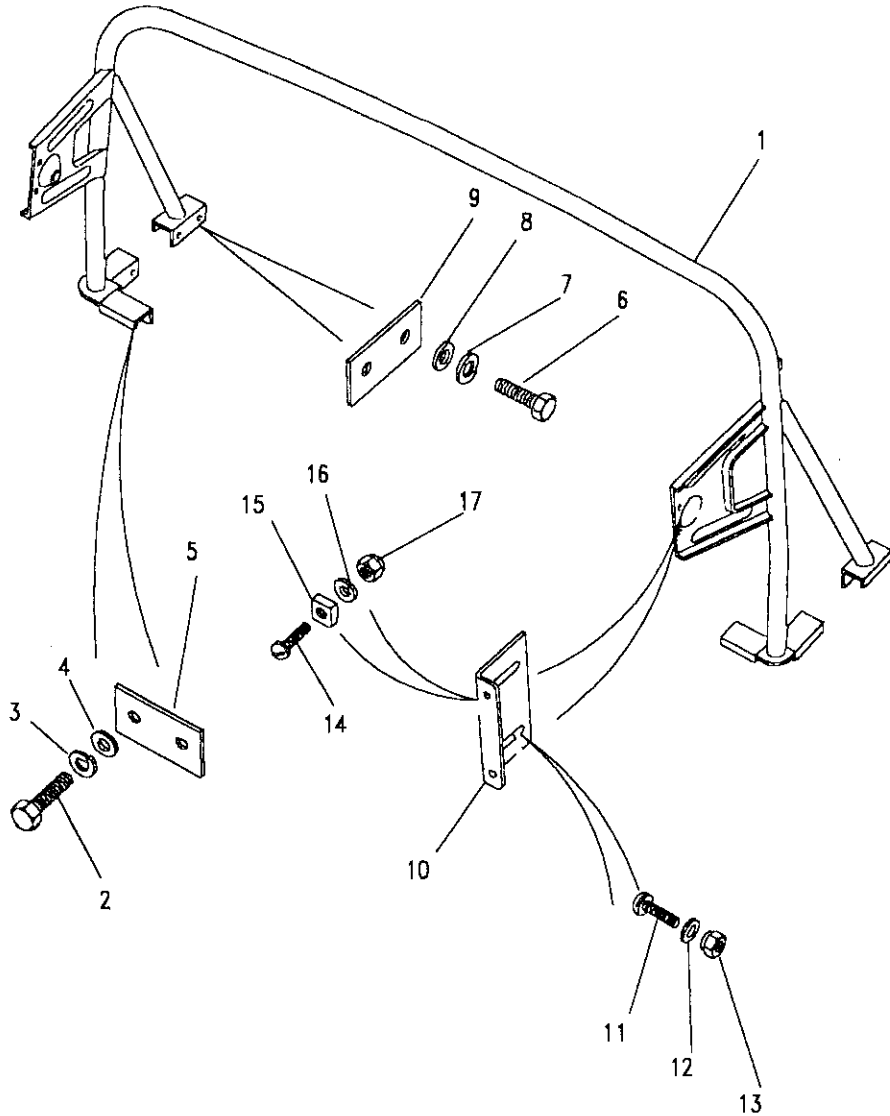


III. Part No.	Description	Qty	Remarks
1 MUC1086	Ladder rack	1	
2 MTC4942	Stop	2	
3 PC106641	Pin clevis	2	
4 WA106041L	Washer plain	2	
5 PS103121L	Pin split	2	
6 SH108301L	Screw	2	
7 WL108001L	Washer spring	2	
8 WA108051L	Washer plain	2	



**Model** DEFENDER 110 1987 onwards  
**Page** AFNXUC7A

**BODY - ROLL OVER BAR - HIGH CAPACITY PICK UP**



III. Part No.	Description	Qty	Remarks
1	RRC3264 Bar roll over	1	
2	BH110301L Bolt	8	
3	WL110001L Washer spring	8	
4	WA110061L Washer plain	8	
5	MTC5519 Nut plate	4	
6	BH110251 Bolt	4	
7	WL110001L Washer spring	4	
8	WA110061L Washer plain	4	
9	MTC5519 Nut plate	2	
10	RRC3584 Plate sliding	2	
11	SA106161 Screw	4	
12	WA106041L Washer plain	8	
13	NY106041L Nut	4	
14	SD106401L Screw	4	
15	NS106011 Nut square	4	
16	WA106041L Washer plain	4	
17	NY106041L Nut	4	



## MASTER INDEX

## GROUP P

	PAGES		
INTRODUCTION PAGES	1 - 7		
ALPHABETICAL INDEX	8 - 16		
ENGINE	17 - 66		
ENGINE	67 - 119		
ENGINE	120 - 166		
ENGINE	167 - 209		
ENGINE	210 - 245		
ENGINE	246 - 299		
GEARBOX	300 - 326		
GEARBOX	327 - 344		
GEARBOX	345 - 359		
TRANSFER BOX	360 - 378		
TRANSFER BOX	379 - 397		
AXLES AND SUSPENSION	398 - 444		
STEERING	445 - 471		
VEHICLE AND ENGINE CONTROLS	472 - 486		
BRAKES	487 - 517		
FUEL SYSTEM AND AIR CLEANER	518 - 579		
EXHAUST SYSTEM	580 - 593		
COOLING/HEATING	594 - 637		
COOLING/HEATING	638 - 641		
COOLING/HEATING	642 - 649		
COOLING/HEATING	650 - 655		
COOLING/HEATING	656 - 666		
BODY ELECTRICAL	667 - 740		
BODY AND CHASSIS	741 - 909		
INTERIOR TRIM	910 - 955		
SEATS	956 - 1036		
STOWAGE	1037 - 1046		
ACCESSORIES - PAINTS	1047 - 1074		
NUMERICAL INDEX	1076 - 1151		
		INTERIOR TRIM	
		UPPER CRASH PAD	911 - 912
		ASH TRAY	913
		PARCEL TRAY & HEATER DUCT	914 - 915
		CUBBY BOX - UPTO VIN 456099	916
		CUBBY BOX - FROM VIN 456100	917
		FRONT DOOR	918
		REAR SIDE DOOR	919
		REAR END DOOR	920 - 921
		STATION WAGON - BODYSIDE - FROM NOTE(1)	922 - 923
		DASH TRIM	924 - 927
		STATION WAGON - ROOF AND SIDE - UPTO VIN 314267	928
		STATION WAGON - ROOF AND SIDE - UPTO VIN 314267	929
		STATION WAGON - UP TO VIN 314267	930
		STATION WAGON - ROOF - FROM NOTE(1)	931 - 932
		HARD TOP	933
		CAB	934 - 935
		ROOF TRIM - DEFENDER 130 - 1991 MODEL YEAR	936
		SUNVISORS	937 - 938
		BONNET INSULATION	939
		HEAT INSULATION - TURBO DIESEL	940 - 941
		SEATBASE INSULATION	942
		CARPETS - FRONT FLOOR	943 - 945
		CARPETS - SEATBASE	946 - 949
		CARPETS - INTERMEDIATE FLOOR	950
		CARPETS - REAR FLOOR	951
		FRONT FLOOR COVERS - RUBBER	952
		INTERMEDIATE FLOOR COVER - NON CARPET	953
		REAR FLOOR COVER - NON CARPET	954
		ADDITIONAL FLOOR COVERS - UPTO VIN HA467836	955

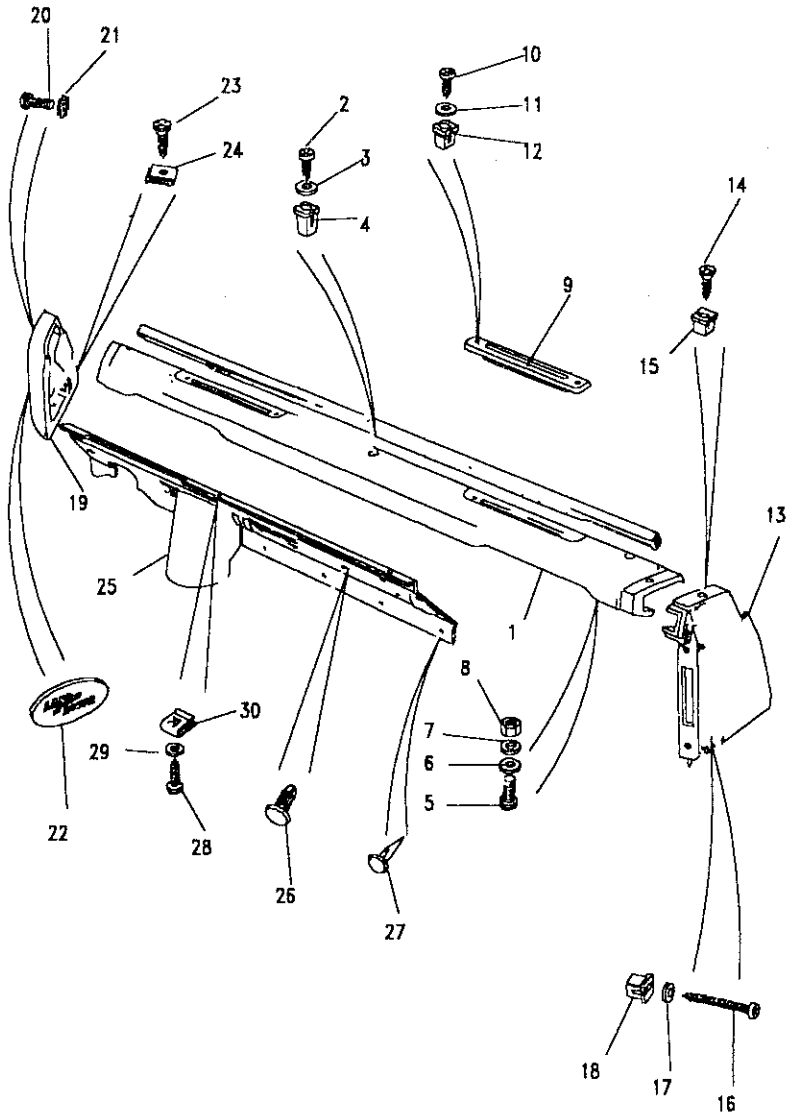




DEFENDER 110 1987 onwards

911

INTERIOR TRIM



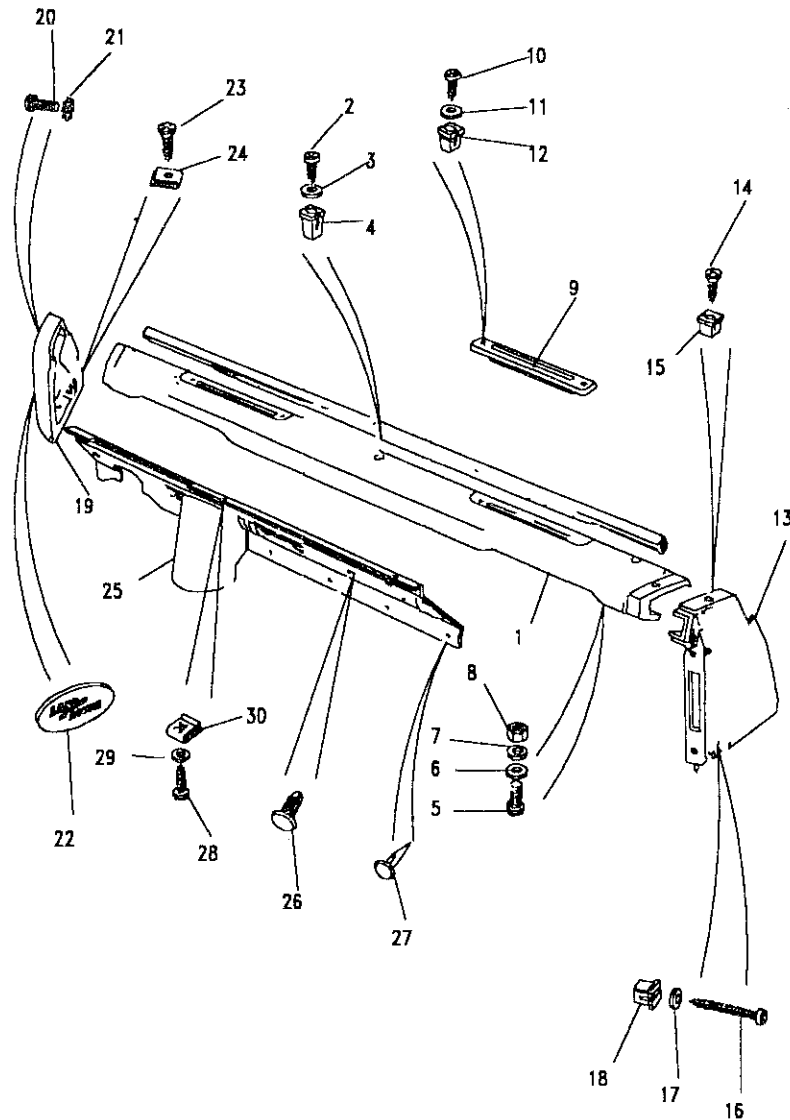
**Model** DEFENDER 110 1987 onwards  
**Page** AFPXAA1A

**FACIA - UPPER CRASH PAD**

III. Part No.	Description	Qty	Remarks
1	MWC9327PMA	1	Crash pad - upper
	MXC6084PMA	1	Crash pad - upper
2	AB614064	8	Screw
3	WC106044L	3	Washer plain
4	RTC3744	3	Nut lokut
5	SE104124L	2	Screw
6	WA104004L	2	Washer plain
7	WL104004	2	Washer spring
8	NH104044	2	Nut
<b>Fixings - Crash rail to front plate</b>			
	WC105001L	4	Washer plain
	WM702001L	2	Washer spring
	NH105041L	2	Nut
	AB608051L	2	Screw
	AK606031	1	Nut spring
	RTC3745	2	Nut
	SE105121L	2	Screw
9	MTC6040	2	Demister outlet
	BTR912	2	Demister Outlet
10	AB606064L	4	Screw
11	WA105001L	4	Washer plain
12	RTC3745	4	Nut
<b>Non Air conditioning only.</b>			
13	MWC9338PMA	1	Trim panel - RHS
	MWC9339PMA	1	Trim panel - LHS
14	AD606044L	1	Screw
15	RTC3745	1	Nut
16	AB610124L	1	Screw
17	AFU1248	1	Washer plain
18	RTC3744	1	Nut
19	MTC6142	1	Grab Handle RH
	MTC6143	1	Grab Handle LH







**Model** DEFENDER 110 1987 onwards  
**Page** AFPXAA1A

### FACIA - UPPER CRASH PAD

Ill. Part No.	Description	Qty	Remarks
---------------	-------------	-----	---------

#### Handle with Air conditioning

19	AWR1175	1	Grab handle RH
20	SE105121L	1	Screw
21	WF105001L	1	Washer lock
22	MTC5851	1	Badge
23	AC606104	1	Screw
24	AK606031	1	Nut spring

#### Non Air conditioning.

25	MTC4617LDQ	1	Trim panel RHS
	MTC4618LDQ	1	Trim panel LHS
26	AFU1897	2	Fastener
27	AFU2813	6	Fastener
28	AB606044L	2	Screw
29	WA104004L	2	Washer plain
30	AJ606011L	2	Nut spring
	AB608041L	6	Screw
	WA105001L	6	Washer plain

Note(1) When A/Con fitted item 13 is a vent, see heating & cooling.





DEFENDER 110 1987 onwards

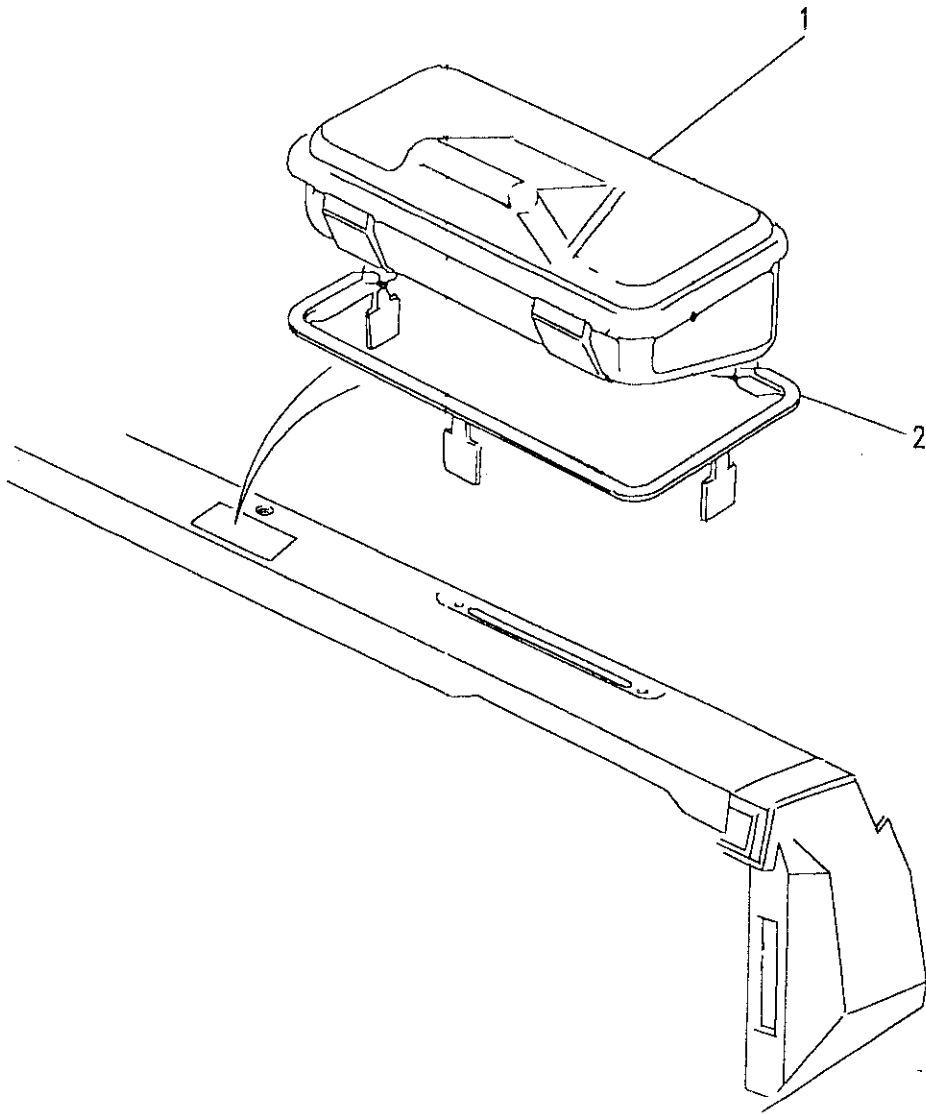
913

INTERIOR TRIM

**Model** DEFENDER 110 1987 onwards  
**Page** AFPXAA3A

**FACIA - ASH TRAY**

III. Part No.	Description	Qty	Remarks
1 DZA5097L	Ash Tray	1	
2 MUC1582	Retainer	1	





**Model** DEFENDER 110 1987 onwards  
**Page** AFPXAC1A

**FACIA - PARCEL TRAY & HEATER DUCT**

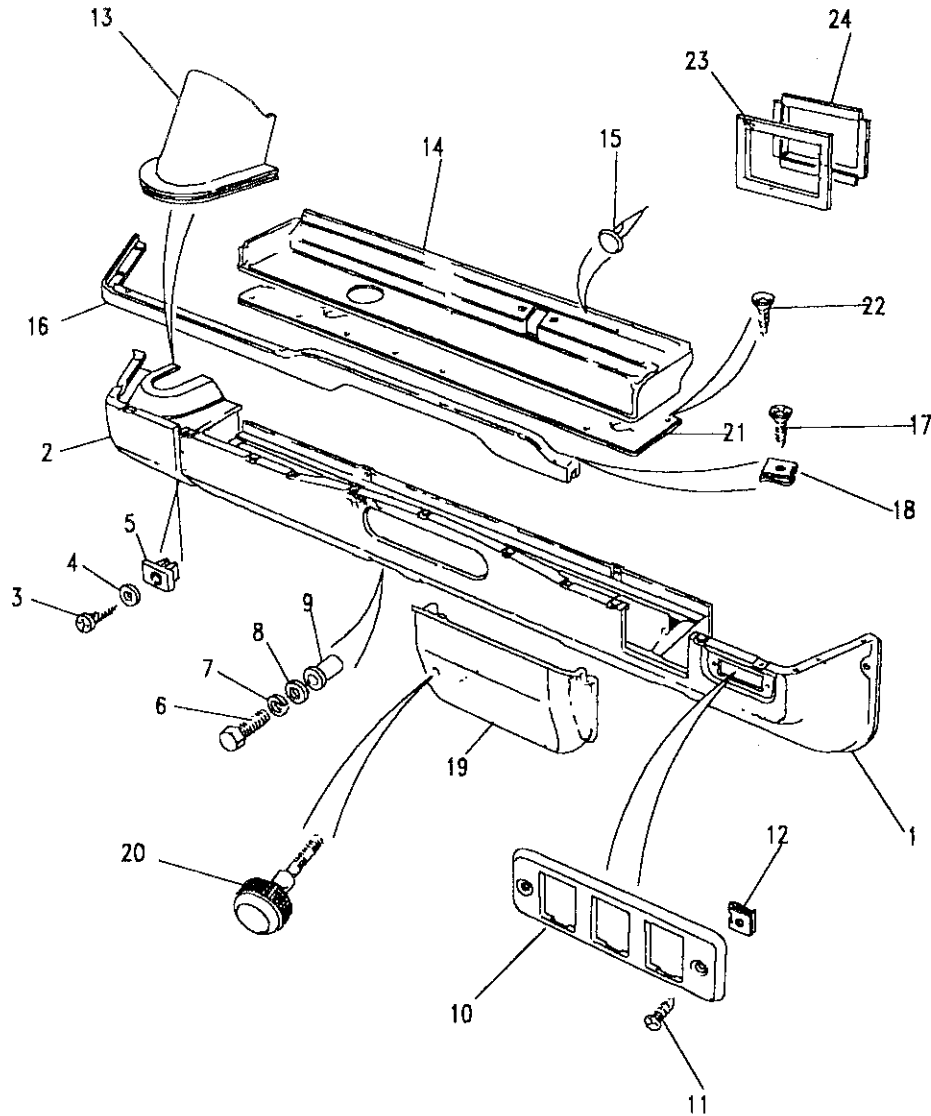
**III. Part No.**                      **Description**                      **Qty** **Remarks**

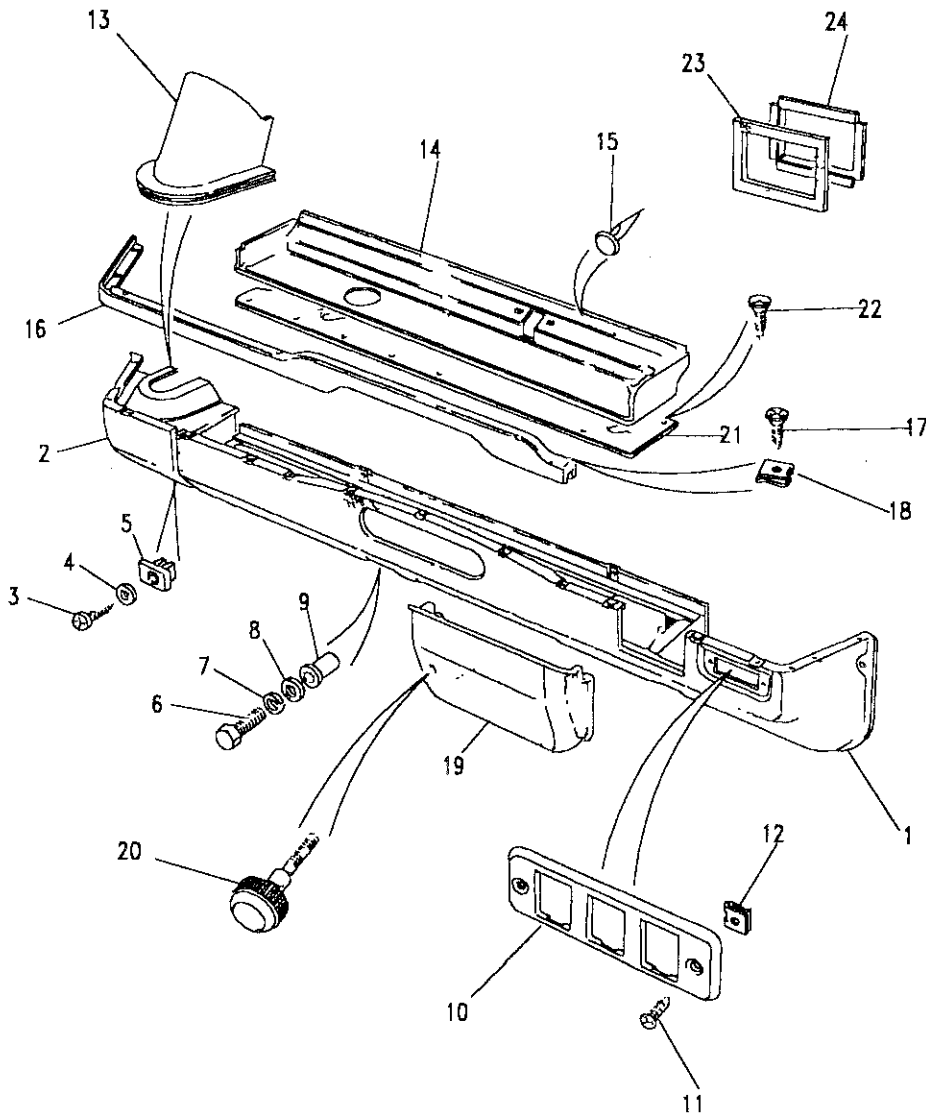
**Non Air Conditioning**

1	MTC2826	Heater duct RHS	1	
	MUC1384	Heater duct RHS	1	Speaker
	MTC2827	Heater duct LHS	1	
	MUC1383	Heater duct LHS	1	Speaker

**Air Conditioning**

1	MUC3249	Heater duct RHS	1	
	MUC3244	Heater duct RHS	1	Speaker
	MUC1703	Heater duct LHS	1	
	MUC1716	Heater duct LHS	1	Speaker
2	MTC3523	Cover wiper motor RHS	1	
	MUC1701	Cover wiper motor RHS	1	Speaker
	MTC6080	Cover wiper motor LHS	1	
	MUC1382	Cover wiper motor LHS	1	Speaker
3	AB608054L	Screw	10	
4	AFU1248	Washer plain	10	
5	AFU2692	Nut	10	
6	SH105201L	Screw	2	
7	WL105001L	Washer spring	2	
8	WC105001L	Washer plain	2	
9	NN105021L	Nutsert	2	
10	MTC2640	Switch panel	1	RHS
11	AD606041L	Screw	2	
12	AK606011L	Nut spring	2	
13	MTC3705LDQ	Cover	1	





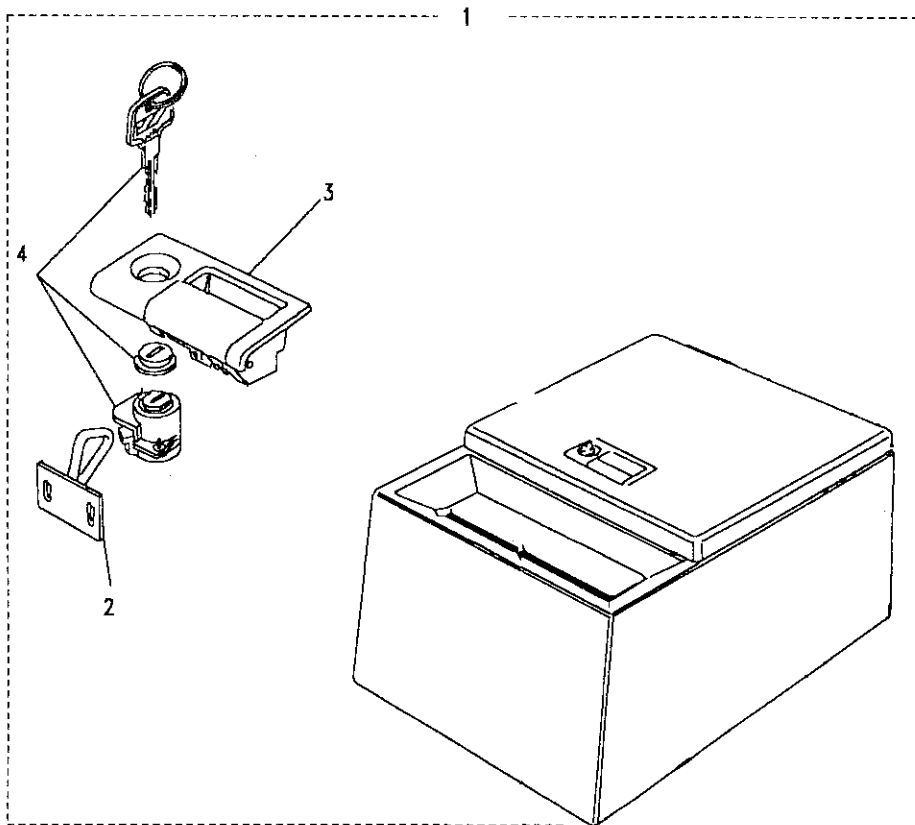
**Model** DEFENDER 110 1987 onwards  
**Page** AFPXAC1A

**FACIA - PARCEL TRAY & HEATER DUCT**

Ill. Part No.	Description	Qty	Remarks
14	MRC7282	1	RHS
	MRC7283	1	LHS
<b>Fixings - Parcel tray to Dash</b>			
15	RTC3750	5	RHS
	AFU2813	5	LHS
	AB606044L	5	)Alternative
	WA104004L	5	)Fixings
16	MTC6166	1	RHS
	MTC6167	1	LHS
17	AC606064L	3	
18	AK606031	3	
19	BTR2307	1	
	MTC5227	1	Note(1)
	BTR2308	1	Upto VIN HA905871
		1	Note(1)
		1	From VIN HA905872
20	MTC9968	2	
21	MRC8584	1	RHS
	MRC8585	1	LHS
22	AB606041L	22	
23	MTC6871	1	Non Air Con
	MTC7400	1	Air Con
24	MUC4801	1	Non Air Con

Note(1) Located on front of Fuse Box Cover

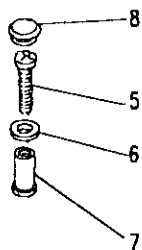




**Model** DEFENDER 110 1987 onwards  
**Page** AFPXCC1A

**TRIM - CUBBY BOX - UPTO VIN 456099**

III. Part No.	Description	Qty	Remarks
1	MUC6681 Console	1	
2	MUC6682 Striker lock	1	
3	MUC6452 Latch	1	
4	MUC6453 Barrel lock and keys	1	
	MUC2153 Key blank	A/R	
5	SE106351L Screw	4	
6	WA106041L Washer plain	4	
7	NN106021 Nut anchor	4	
8	AFU2501 Plug	4	



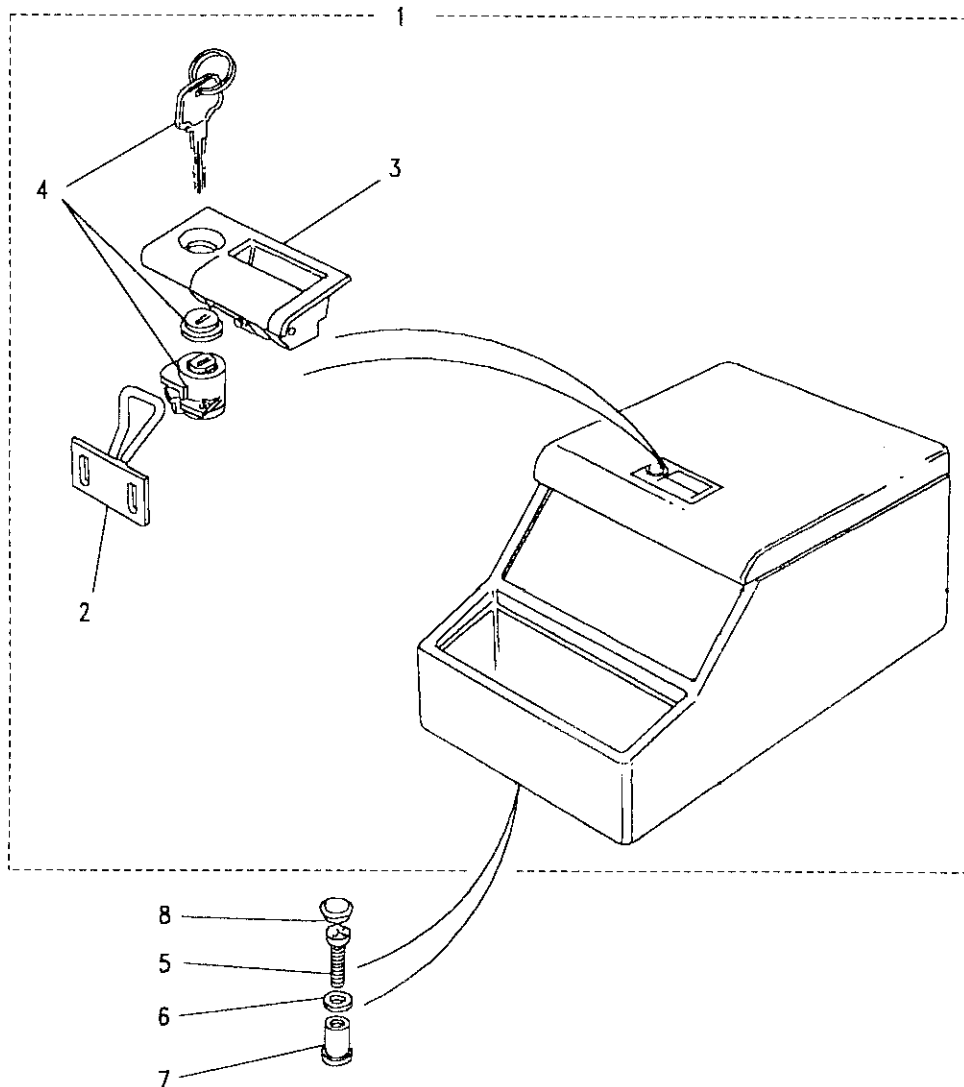


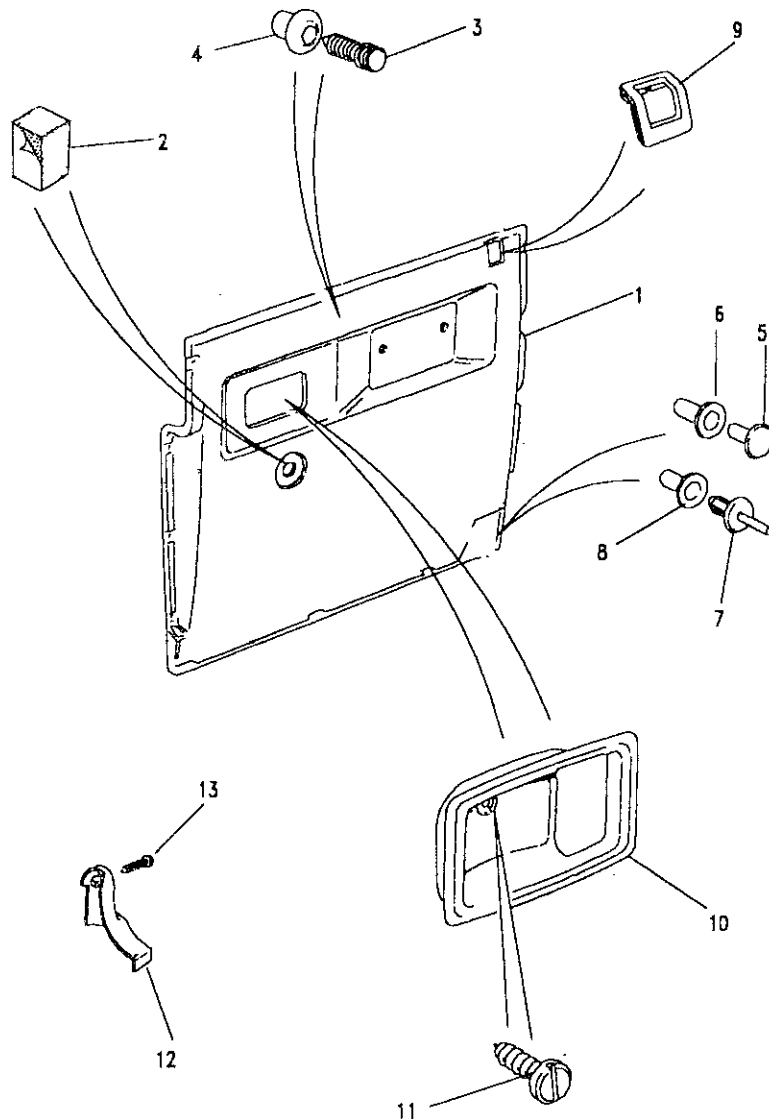
Model DEFENDER 110 1987 onwards

Page AFPXCC2A

TRIM - CUBBY BOX - FROM VIN 456100

III. Part No.	Description	Qty	Remarks
1 AWR1607	Cubby box	1	
2 BTR695	Striker lock	1	
3 MUC6452	Latch	1	
4 MUC6453	Barrel lock and keys	1	
MUC2153	Key blank	A/R	
5 SE106351L	Screw	4	
6 WA106041L	Washer plain	4	
7 NN106021	Nut anchor	4	
8 AFU2501	Plug	4	





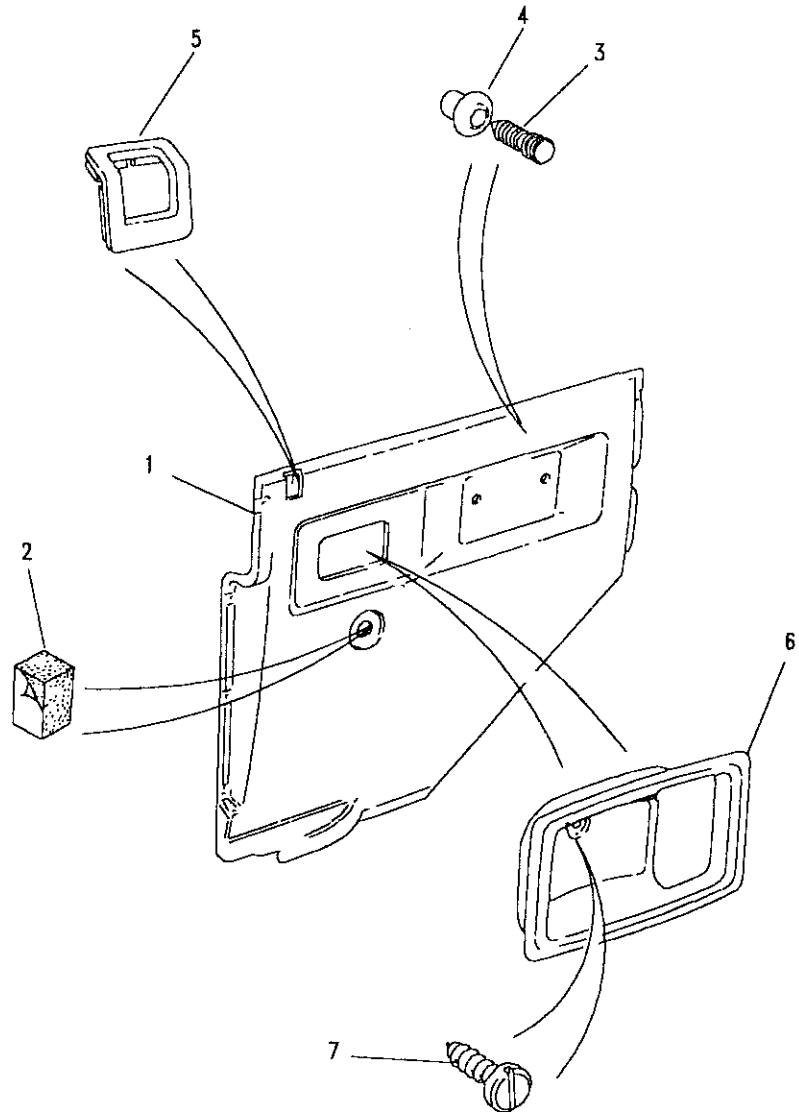
Model DEFENDER 110 1987 onwards

Page AFPXE1A

TRIM - FRONT DOOR

Ill. Part No.	Description	Qty	Remarks
<b>Black - Upto DA314292 (Reg) &amp; DA314268 (S/W)</b>			
1	MWC2780	1	Casing front door lh
	MWC2781	1	Casing front door rh
<b>Grey - From EA314293 (Reg) &amp; EA314269 (S/W)</b>			
1	MXC1858LCS	1	Casing front door RH
	MXC1859LCS	1	Casing front door LH
	BTR6700LCS	1	Casing front door RH
	BTR6701LCS	1	Casing front door LH
2	MWC3137	4	Spacer
3	MWC1474	24	Fastener
	MXC1800	24	Fastener
4	MWC3136	24	Snap Sac
5	79118PH	4	Trim Stud
6	13H2475L	4	Stud
7	MWC9918LCS	4	Lokut
8	MWC9917	4	Sac
9	MXC4738PMA	2	Escutcheon
10	DBP6532PMA	1	Escutcheon RH
	DBP6533PMA	1	Escutcheon LH
11	DA608044L	2	Screw
12	MUC3036	1	Checkstrap Cover RH
	MUC3037	1	Checkstrap Cover LH
13	AB608064L	2	Drive Screw





Model DEFENDER 110 1987 onwards

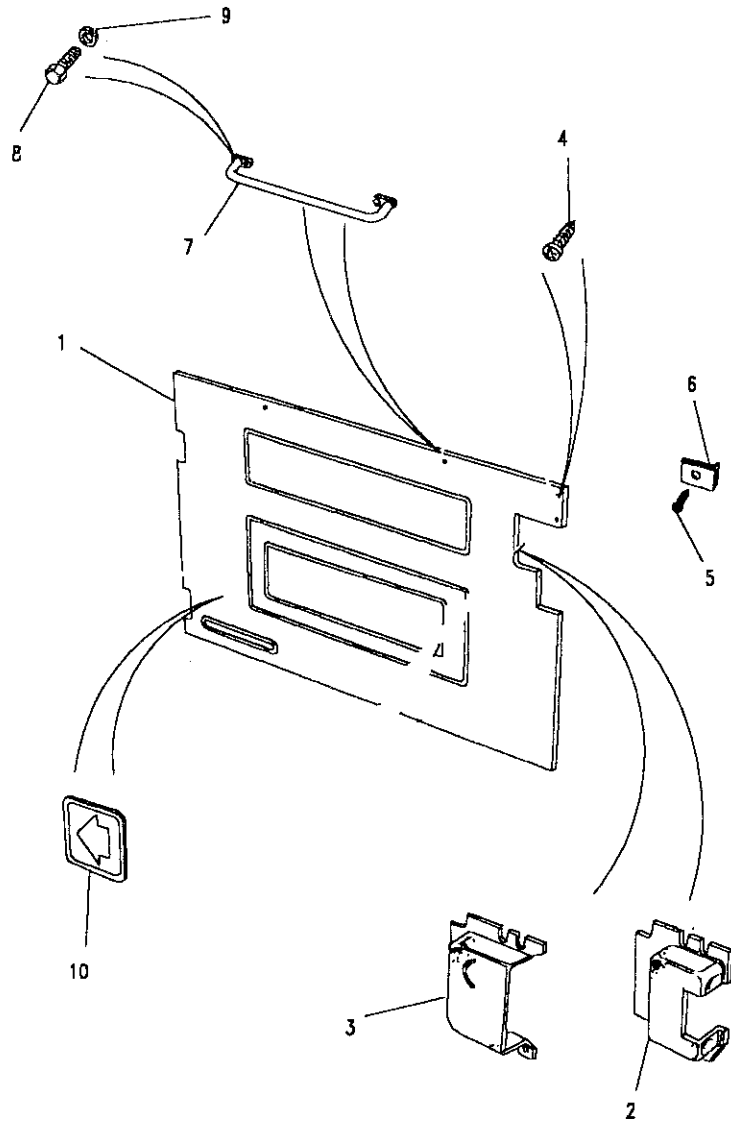
Page AFPXEE1A

TRIM - REAR SIDE DOOR

III. Part No.	Description	Qty	Remarks
<b>Black - Upto DA314291 (Reg) &amp; DA314267 (S/W)</b>			
1 MWC2782	Casing rear side door rh	1	
MWC2783	Casing rear side door lh	1	
<b>Grey - From EA314292 (Reg) &amp; DA314268 (S/W)</b>			
1 MXC1860LCS	Casing rear side door RH	1	)Up to
MXC1861LCS	Casing rear side door LH	1	)LA932486
BTR6702LCS	Casing rear side door RH	1	)From
BTR6703LCS	Casing rear side door LH	1	)LA932487
2 MWC3137	Foam spacer	4	
3 MWC1474	Fastener	24	Upto 344754
MXC1800	Fastener	24	From 344755
4 MWC3136	Snap sac	24	
5 MXC4738PMA	Escutcheon sill	2	
6 DBP6532PMA	Escutcheon RH handle	1	
DBP6533PMA	Escutcheon LH handle	1	
7 DA608044L	Screw	2	







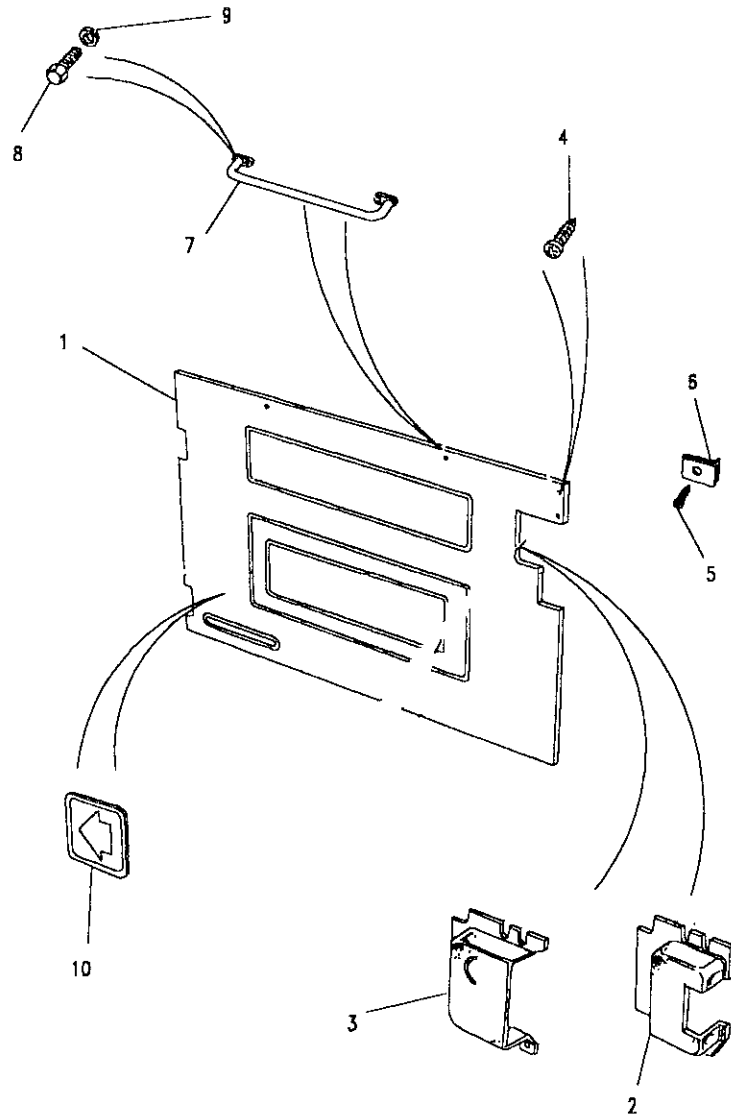
Model DEFENDER 110 1987 onwards

Page AFPXEG1A

TRIM - REAR END DOOR

III. Part No.	Description	Qty	Remarks
<b>Except Rear Wash Wipe/Heated Rear Window</b>			
1 MWC1743	Casing rearend door-Black	1	Upto Note(1)
MWC1743LCS	Casing rear end door-Grey	1	From Note(1) Upto Note(2)
MXC1989LCS	Casing rear end door	1	Note(4) From Note(2)
BTR7964LCS	Casing rear end door	1	Upto VIN KA929577 Note(4) From VIN KA929578
<b>With Rear Wash Wipe/Heated Rear Window</b>			
1 MWC1744	Casing rearend door-Black	1	Upto Note(1)
MWC1744LCS	Casing rear end door-Grey	1	From Note(1) Upto Note(2)
MXC1992LCS	Casing rear end door	1	Note(4) From Note(2)
BTR3793LCS	Casing rear end door	1	Upto VIN JA910750 Note(4) From VIN JA910751
BTR7959LCS	Casing rear end door	1	Upto VIN KA929577 Note(4)
73037	Clip retaining	8	From VIN KA929578





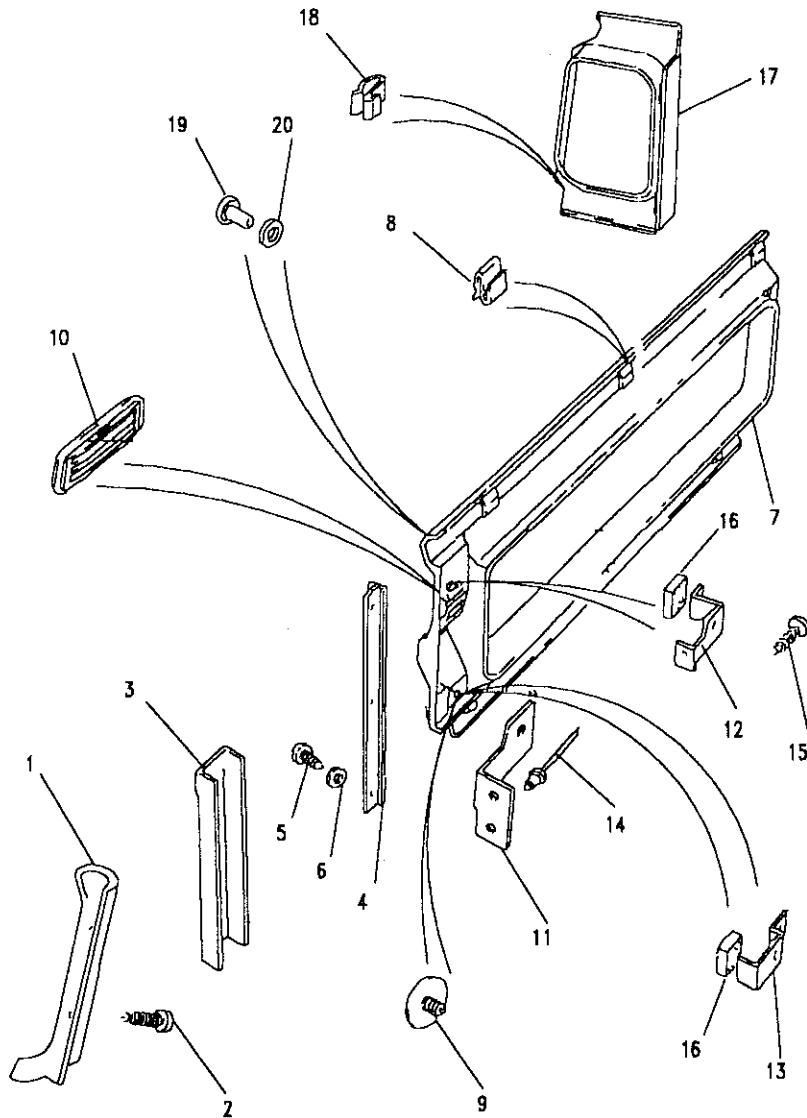
**Model** DEFENDER 110 1987 onwards  
**Page** AFPXEG1A

**TRIM - REAR END DOOR**

III. Part No.	Description	Qty	Remarks
2	MTC1710 Cover lock-Black	1	Upto Note(1)
3	395191LCS Cover lock-Grey	1	From Note(1)
4	AB606041 Screw	3	Except RWW/HRW
	AFU2636 Screw	1	
5	AA606044L Screw	2	RWW/HRW
6	AK606011L Nut spring	2	RWW/HRW
7	MUC1402 Grab handle	1	
8	SH106204 Screw	2	
9	WL106004 Washer spring	2	
10	MUC4525 Arrow label	1	

- Note(1) Introduction of 1988 Model Year - Regular VIN EA314292, Station Wagon VIN EA314268  
 Note(2) Introduction of 1989 Model Year - Regular VIN FA358798, Station Wagon VIN FA358791  
 Note(3) RWW/HRW = Rear wash wipe/heated rear window  
 Note(4) Includes checklink cover



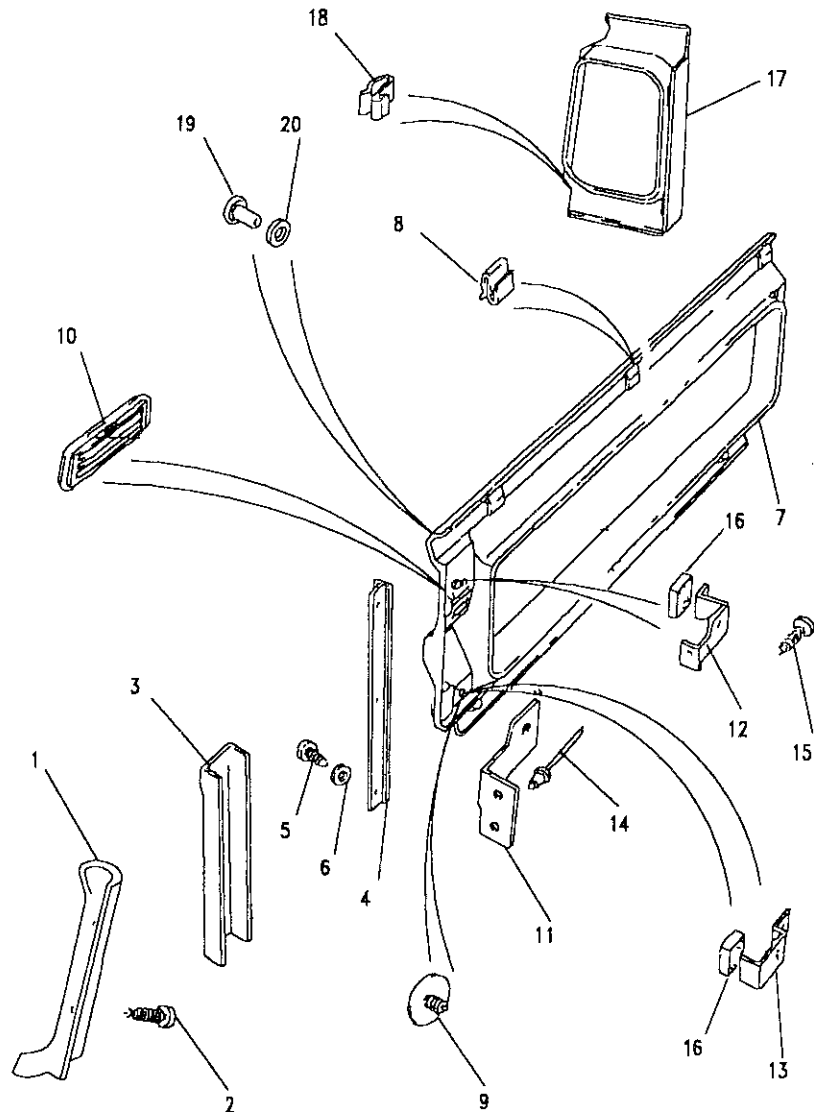


**Model** DEFENDER 110 1987 onwards  
**Page** AFPXGC1A

**TRIM - STATION WAGON - BODYSIDE - FROM NOTE(1)**

III. Part No.	Description	Qty	Remarks
1	MTC5212	1	Trim A post RH
	MWC2314	1	Trim A post LH
2	AB606084	4	Screw
3	MWC8901LNP	2	Trim BC post
4	MWC9823LNP	2	Trim front pillar
	MXC3319LNP	2	Trim front pillar
5	77869	6	Screw
6	3852L	6	Washer plain
7	BTR306LNP	1	Trim panel bodyside RH
	BTR305LNP	1	Trim panel bodyside LH
8	MWC6203	6	Edge clip
	SE106401	1	Screw
	WC600045L	2	Washer plain
	MTC3203	1	Nut plate
	SE106401	3	Screw
	WC600045L	6	Washer plain
	MTC3203	3	Nut plate
9	MWC5763LNP	4	Fastener
10	MWC5764	2	Guide seat belt





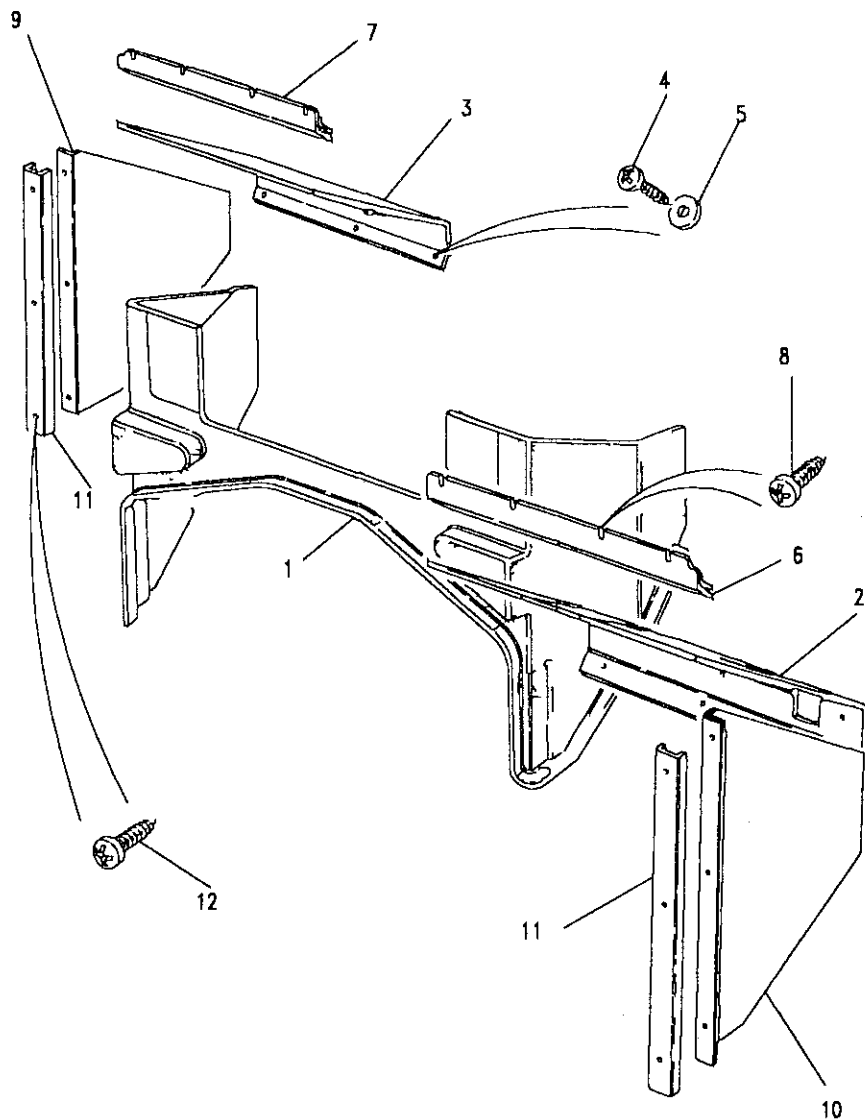
**Model** DEFENDER 110 1987 onwards  
**Page** AFPXGC1A

**TRIM - STATION WAGON - BODYSIDE - FROM NOTE(1)**

III. Part No.	Description	Qty	Remarks
11 MWC5798	Retainer trim upper RH	1	)Upto Note(2)
MWC5799	Retainer trim upper LH	1	
12 MXC3278	Retainer trim upper RH	1	)From Note(2)
MXC3279	Retainer trim upper LH	1	
13 MXC3277	Retainer trim lower	2	)Upto Note(2)
14 78248	Rivet	4	
15 AB608044L	Screw	4	From Note(2)
16 MUC6400	Pad	4	From Note(2)
17 MWC8910LNP	Trim panel rear end RH	1	
MWC8911LNP	Trim panel rear end LH	1	
18 MWC6204	Edge clip	4	
19 MXC1130PMA	Plug trim	2	From VIN 314292
20 MWC9482	Washer retaining	4	Note(3)

- Note(1) Introduction of 1988 Model Year - VIN EA314268
- Note(2) Introduction of 1989 Model Year - VIN FA
- Note(3) Required when seat belts for rear forward facing seats are not fitted
- Note(4) LNP = Mid grey
- Note(5) PMA = Black
- Note(6) Bodyside Trim upto VIN 314267 see page 928 - 930





**Model** DEFENDER 110 1987 onwards  
**Page** AFPXIA1A

**TRIM - DASH TRIM**

III. Part No.	Description	Qty	Remarks
<b>4 Cylinder</b>			
1 BTR341	Insulation dash centre	1	
1 MUC1356RD	Carpet dash centre	1	Upto Note(1)
1 MXC2949LDE	Carpet dash centre	1	From Note(1)
<b>V8</b>			
1 MUC1248	Insulation dash centre	1	Upto VIN FA423988
1 BTR360	Insulation dash centre	1	From VIN FA423989
1 MUC1256RD	Carpet dash centre	1	Upto Note(1)
1 MXC2948LDE	Carpet dash centre	1	From Note(1)
<b>Toebox Trim - RHS - Non Air Con</b>			
2 MUC9167	Panel toebox trim RH	1	Upto VIN FA440772
2 MXC6538	Panel toebox trim RH	1	From VIN FA440773
			Upto VIN KA922165
2 BTR5232	Panel toebox trim RH	1	From VIN KA922166
3 MTC4866	Panel toebox trim LH	1	Upto VIN FA440772
3 MXC6539	Panel toebox trim LH	1	From VIN FA440773
			Upto VIN KA922165
3 BTR5233	Panel toebox trim LH	1	From VIN KA922166





DEFENDER 110 1987 onwards

925

INTERIOR TRIM

Model DEFENDER 110 1987 onwards  
Page AFPXIA1A

TRIM - DASH TRIM

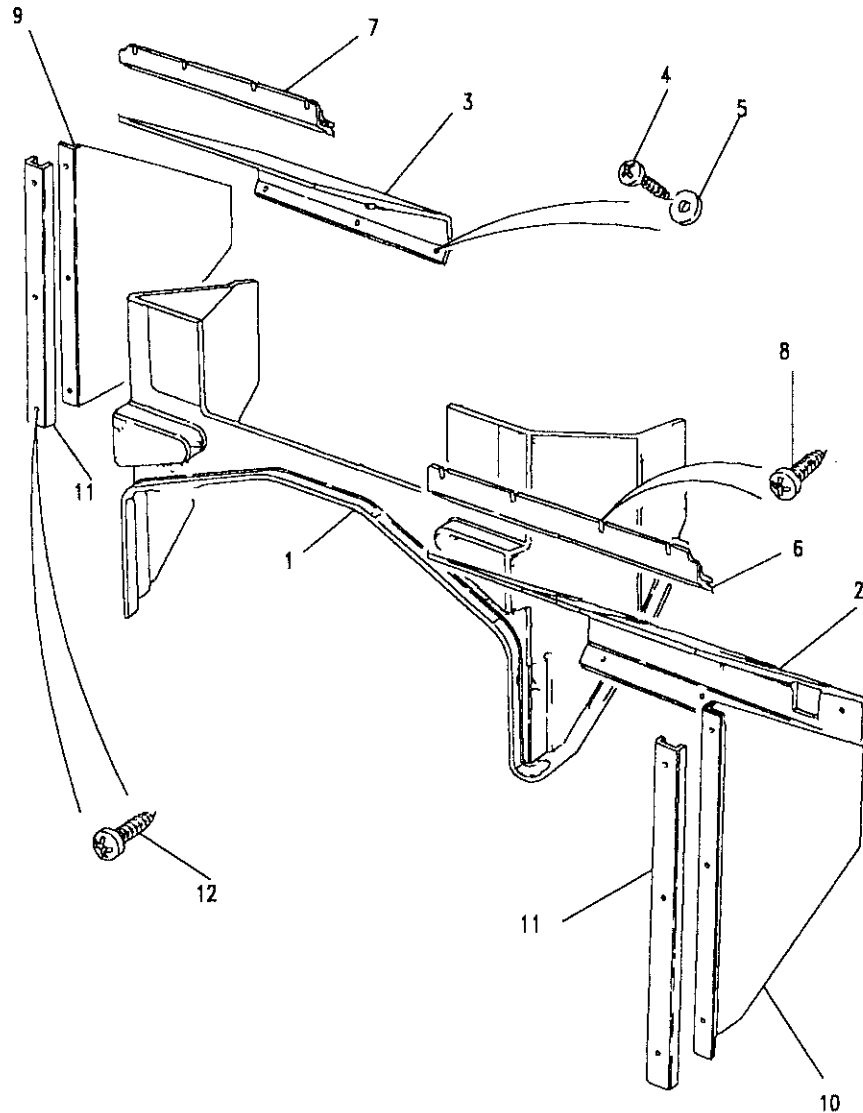
III. Part No. Description Qty Remarks

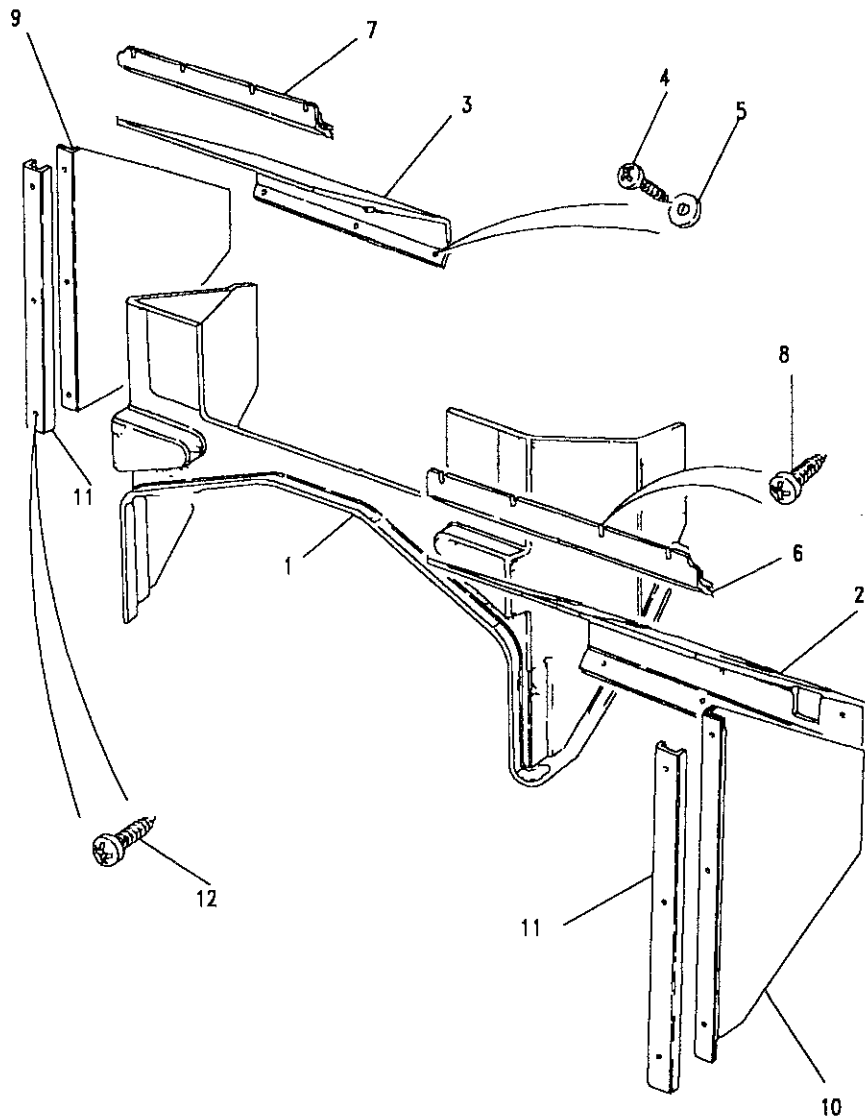
Toebox Trim - RHS - Air Con

2	MUC9167	Panel toebox trim RH	1	Upto VIN FA440772
2	MXC6538	Panel toebox trim RH	1	From VIN FA440773
				Upto VIN KA922165
2	BTR5232	Panel toebox trim RH	1	From VIN KA922166
3	MUC2210	Panel toebox trim LH	1	Upto VIN FA440772
3	MXC6543	Panel toebox trim LH	1	From VIN FA440773

Toebox Trim - LHS - Non Air Con

2	MUC9168	Panel toebox trim RH	1	Upto VIN FA440772
2	MXC6540	Panel toebox trim RH	1	From VIN FA440773
				Upto VIN KA922252
2	BTR5234	Panel toebox trim RH	1	From VIN KA922253
3	MTC4865	Panel toebox trim LH	1	Upto VIN FA440772
3	MXC6541	Panel toebox trim LH	1	From VIN FA440773
				Upto VIN KA922252
3	BTR5235	Panel toebox trim LH	1	From VIN KA922253





Model DEFENDER 110 1987 onwards

Page AFPXIA1A

TRIM - DASH TRIM

III. Part No.	Description	Qty	Remarks
<b>Toebox Trim - LHS - Air Con</b>			
2 MUC9169	Panel toebox trim RH	1	Upto VIN FA440772
2 MXC6542	Panel toebox trim RH	1	From VIN FA440773
			Upto VIN KA922252
2 BTR5236	Panel toebox trim RH	1	From VIN KA922253
3 MTC4865	Panel toebox trim LH	1	Upto VIN FA440772
3 MXC6541	Panel toebox trim LH	1	From VIN FA440773
			Upto VIN KA922252
3 BTR5235	Panel toebox trim LH	1	From VIN KA922253
3 MTC8349	Baffle	1	Air Con
4 AB606041L	Screw	6	
5 WC104001L	Washer plain	6	
6 MWC6254	Retainer RH	1	Upto VIN FA440772
6 MXC6550	Retainer RH	1	From VIN FA440773
	-RHS		Upto VIN KA922165
	-LHS		Upto VIN KA922252
6 BTR6194	Retainer trim panel	1	
	-RHS		From VIN KA922166
	-LHS		From VIN KA922253
7 396416	Retainer LH	1	Upto VIN 303449
7 MWC6253	Retainer LH	1	From VIN 303450
			Upto VIN FA440772
7 MXC6551	Retainer LH	1	From VIN FA440773
	-RHS		Upto VIN KA922165
	-LHS		Upto VIN KA922252
7 BTR6193	Retainer trim panel	1	
	-RHS		From VIN KA922166
	-LHS		From VIN KA922253
8 AB606031L	Drive Screw	6	Upto Note(2)

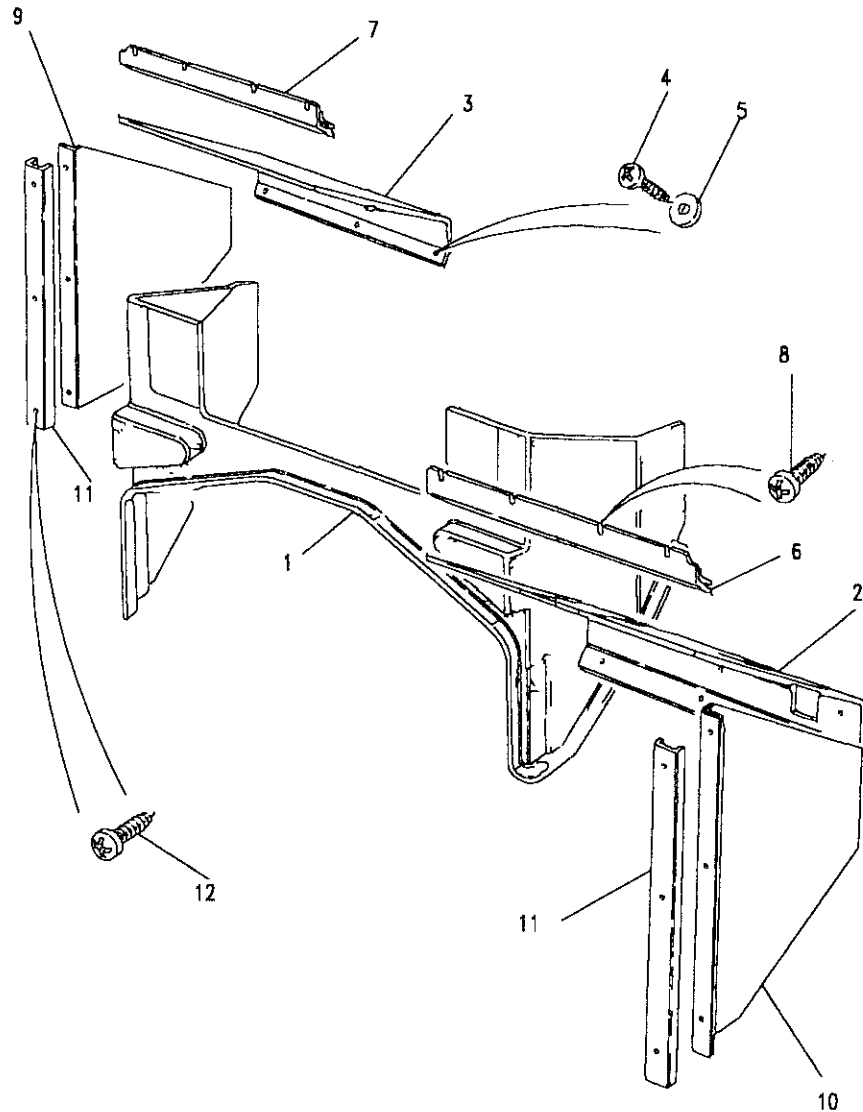




DEFENDER 110 1987 onwards

927

INTERIOR TRIM



Model DEFENDER 110 1987 onwards  
Page AFPXIA1A

TRIM - DASH TRIM

III. Part No.	Description	Qty	Remarks
9 MRC5394	Cover dash side LH	1	Upto VIN 455595
9 BTR981	Cover dash side LH	1	From VIN HA455596
10 MTC6820	Cover dash side RH	1	Upto VIN 455595
10 BTR980	Cover dash side RH	1	From VIN HA455596
11 MUC9347	Retainer	2	Upto VIN 455595
11 BTR978	Retainer RH	1	From VIN HA455596
11 BTR2372	Retainer RH	1	Upto VIN HA903278
11 BTR979	Retainer LH	1	From VIN HA455596
11 BTR2371	Retainer LH	1	Upto VIN HA903278
12 AB606041L	Screw	6	From VIN HA903279

Note(1)

Introduction of 1988 Model Year - VIN EA

Note(2)

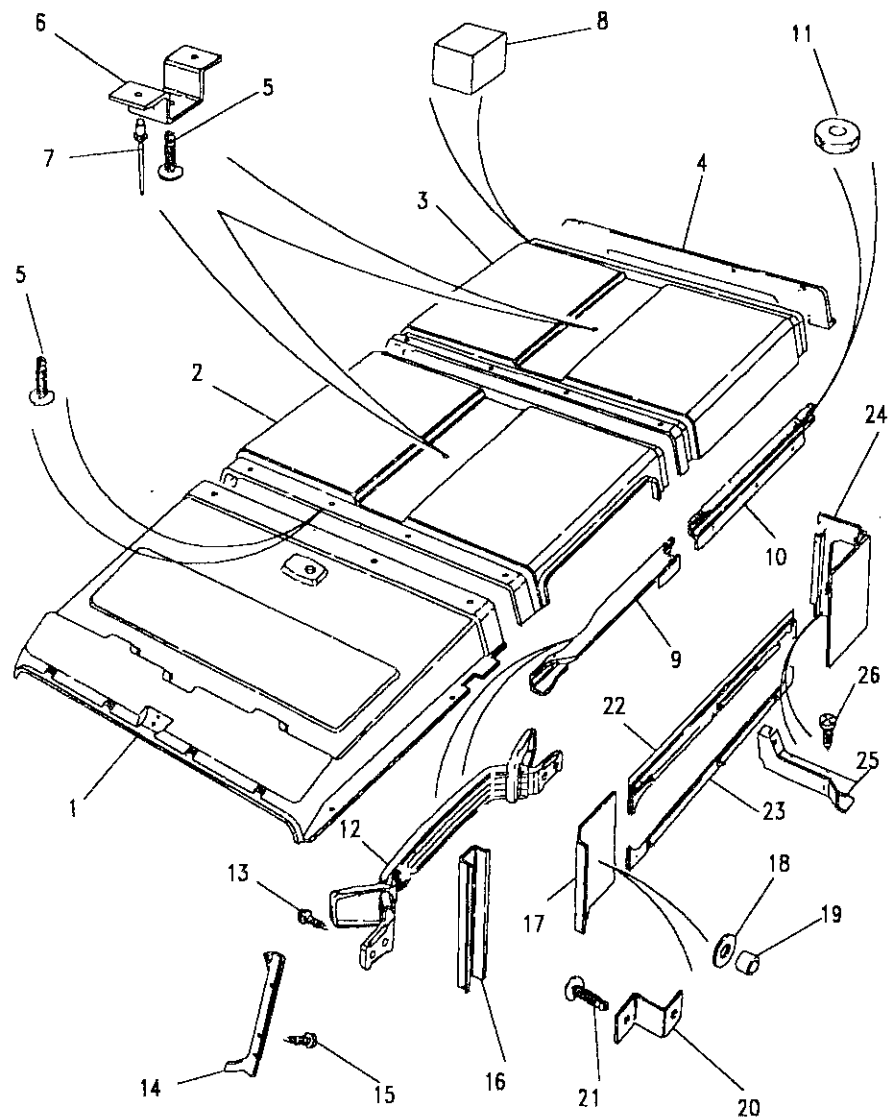
Upto VIN FA440772 only, From VIN FA440773 onwards use heater duct fixings items 3, 4 and 5 on page 914 - 915

Note(3)

RD = Brushwood, LDE = Slate







Model DEFENDER 110 1987 onwards  
 Page AFPXKA1A

TRIM - STATION WAGON - ROOF AND SIDE - UPTO VIN 314267

III. Part No.	Description	Qty	Remarks
1	MUC6484	1	Headlining
2	MUC6485	1	Headlining intermediate
3	MUC6486	1	Headlining rear
4	MUC6487	1	Lining rear end
	MWC2896	1	Lining rear end
5	AFU1900	20	Fastener
6	MTC6686	2	Bracket mounting
7	RU608123L	4	Rivet
8	MWC3317	2	Spacer foam
9	MUC6490	1	Trim cantrail RH interm
	MUC6491	1	Trim cantrail LH interm
10	MUC6488	1	Trim cantrail RH rear
	MUC6489	1	Trim cantrail LH rear
11	MUC1508	10	Felt spacer
12	YGA2682L	2	Grab handle
			Side
13	AB608061L	8	Screw
	YGA2682L	2	Grab handle
			Rear
	AB608061L	8	Screw
14	MTC5212	1	Trim 'A' post RH
	MWC2314	1	Trim 'A' post LH
15	AB606084	4	Screw

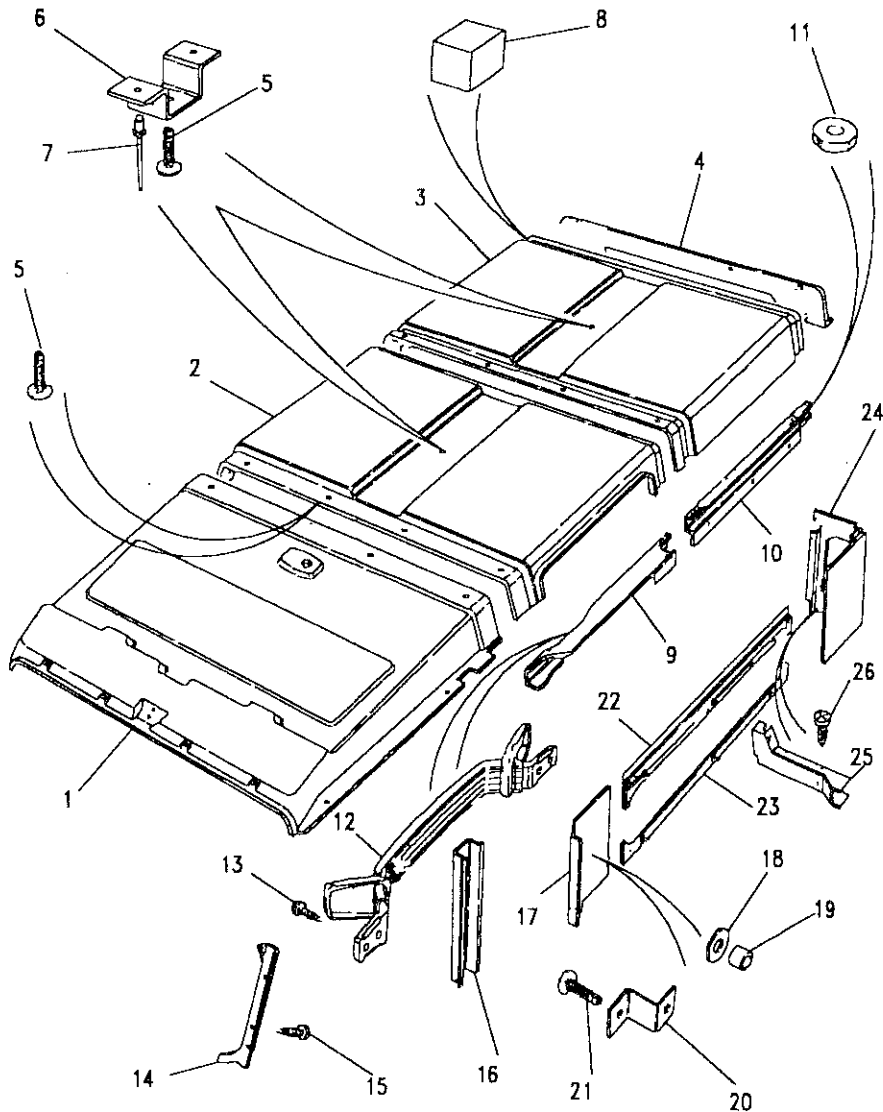




DEFENDER 110 1987 onwards

929

INTERIOR TRIM

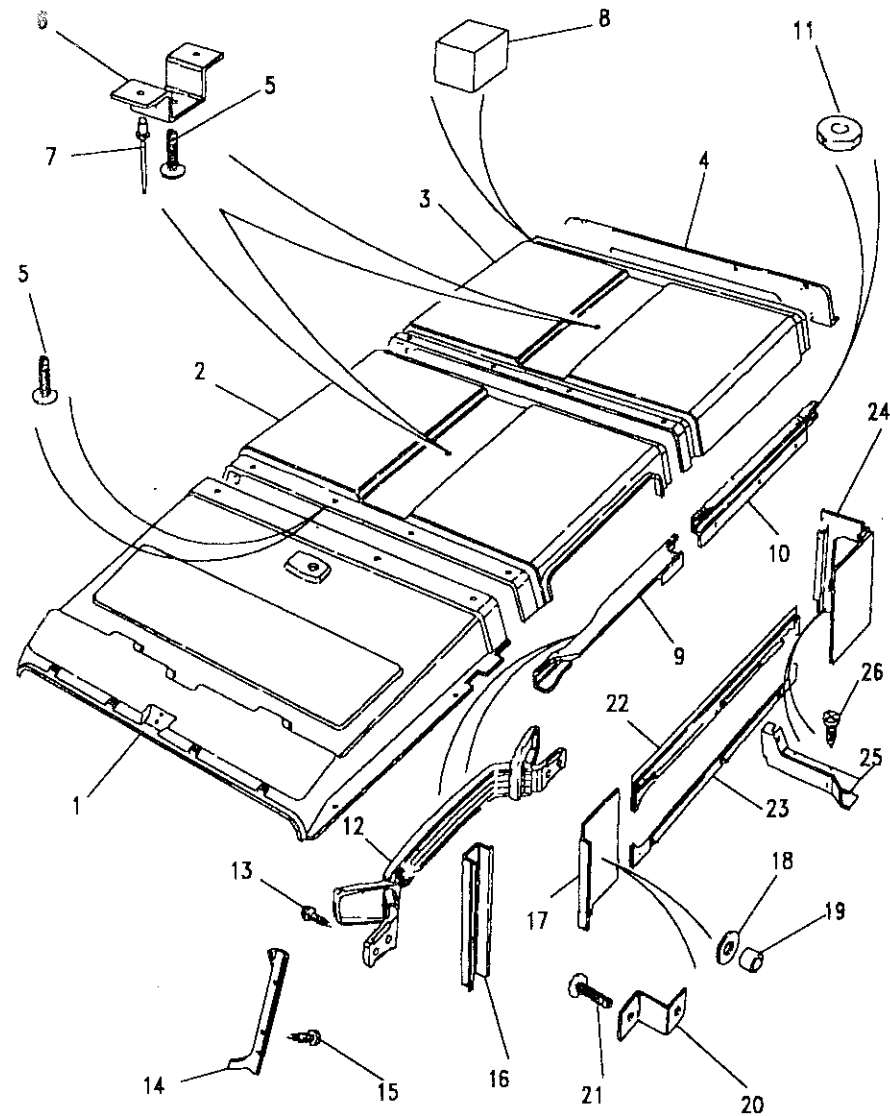


**Model** DEFENDER 110 1987 onwards  
**Page** AFPXKA1A

**TRIM - STATION WAGON - ROOF AND SIDE - UPTO VIN 314267**

Ill. Part No.	Description	Qty	Remarks
16 MUC2296	Trim 'BC' post	2	
17 MWC1628	Trim 'D' post RH	1	)Note(2)
MWC1629	Trim 'D' post LH	1	)
MWC1624	Trim 'D' post RH	1	)Note(3)
MWC1625	Trim 'D' post LH	1	)
<b>Upper fixings</b>			
18 MUC6075	Spacer	2	)Note(3)
19 WA112081L	Washer plain	2	)
<b>Lower fixings</b>			
20 MUC6074	Retainer trim	2	)Note(3)
21 AFU1900	Fastener	2	)
22 MUC1474	Trim sidelight upper	2	
23 MUC3242	Trim sidelight lower	2	
24 MUC1554	Trim rear quarter RH	1	
MUC1555	Trim rear quarter LH	1	





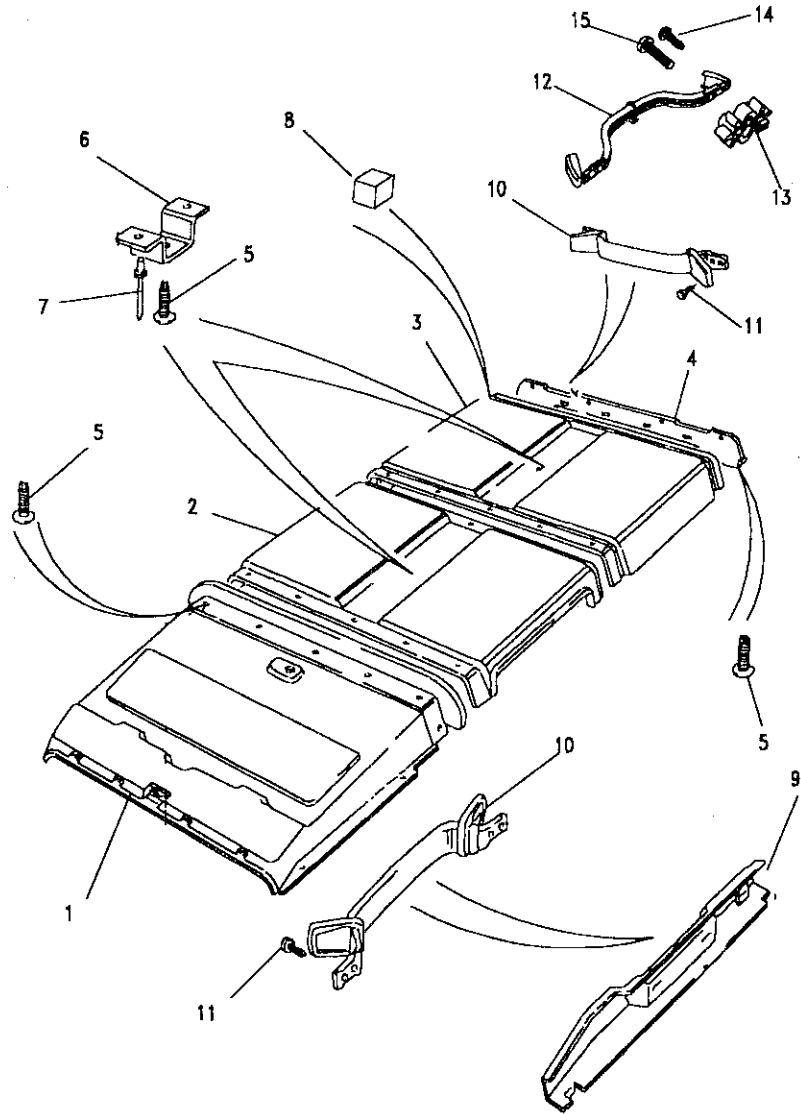
**Model** DEFENDER 110 1987 onwards  
**Page** AFPXKA1A

**TRIM - STATION WAGON - UP TO VIN 314267**

Ill. Part No.	Description	Qty	Remarks
<b>Germany</b>			
25 MUC3630	Cover rear quarter panel	1	
MUC3631	Cover rear quarter panel	1	
26 AB60804	Screw	4	

Note(1) With ventilator aperture provision.  
 Note(2) For vehicles without inertia seat belts  
 Note(3) For vehicles with inertia seat belts



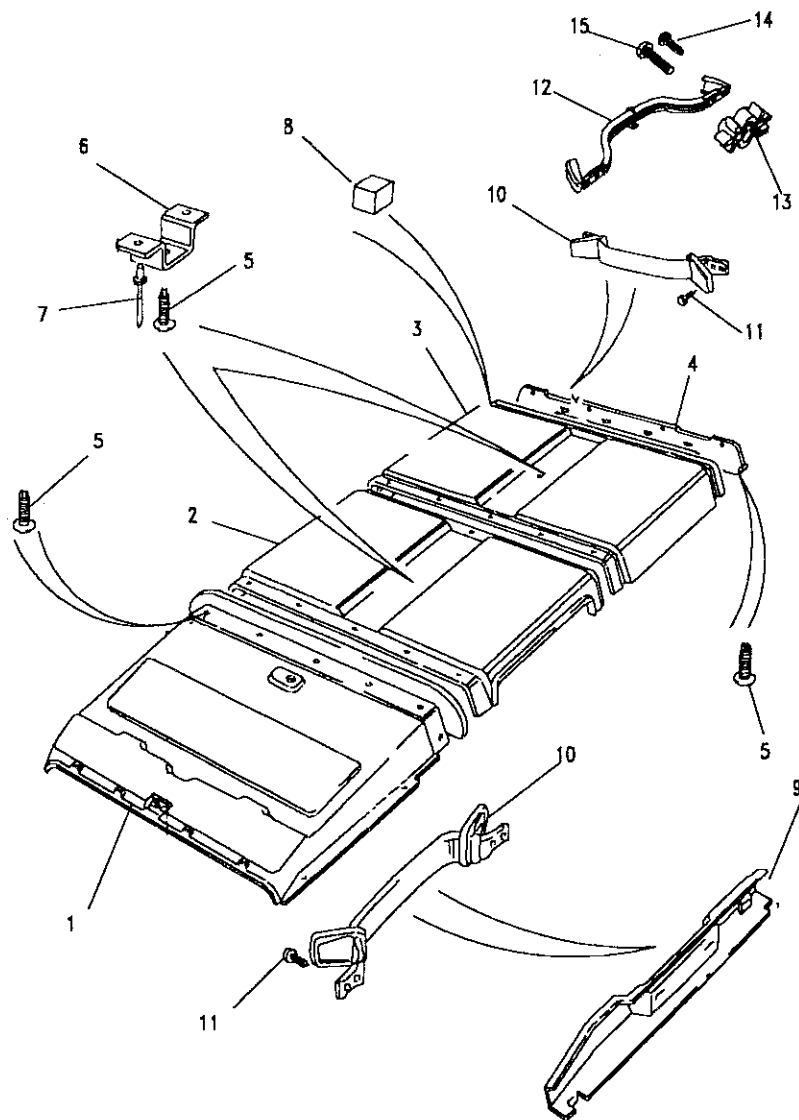


Model DEFENDER 110 1987 onwards  
Page AFPXKA2A

TRIM - STATION WAGON - ROOF - FROM NOTE(1)

III. Part No.	Description	Qty	Remarks
<b>Headlining front</b>			
1	MXC2343LUH	1	Headlining front
	BTR9176LUH	1	Headlining front SW From MA939976
<b>Headlining front - With sunroof aperture</b>			
1	MWC9490LUH	1	Headlining front Upto Note(2)
	MXC5856LUH	1	Headlining front From Note(2)
	MXC2344LUH	1	Headlining front Upto VIN 455595
	BTR1886LUH	1	Headlining front From VIN HA455596
	BTR4525LUH	1	Headlining front From 1992MY
	BTR9181LUH	1	Headlining front From VIN JA906592
		1	Headlining front From MA939976
<b>Headlining intermediate</b>			
2	MWC9484LUH	1	Headlining intermediate
<b>Headlining intermediate - Vehicles with sunroof</b>			
2	MXC2347LUH	1	Headlining intermediate
	BTR9385LUH	1	Headlining intermediate Vixen





Model DEFENDER 110 1987 onwards  
 Page AFPXKA2A

TRIM - STATION WAGON - ROOF - FROM NOTE(1)

III. Part No.	Description	Qty	Remarks
3	MWC9485LUH	1	Headlining rear
	BTR9180LUH	1	Headlining rear
4	MWC9486LUH	1	Lining rear end
	MXC1645LUH	1	Lining rear end
	BTR586LUH	1	Lining rear end
5	MWC9832LUH	30	Fastener
6	MTC6686	2	Bracket mounting
7	RU608123L	4	Rivet
8	MUC4199	2	Foam spacer
	MWC3137	2	Foam spacer
9	MWC8914LNP	1	Trim cantrail RH
	MWC8915LNP	1	Trim cantrail LH
10	YGA2682L	4	Grab handle
11	AB608061L	16	Screw
12	JPC5641LUN	4	Grab handle
			Note(5)
13	PAM4356L	8	Spacer
14	AB608107	8	Screw
15	SE105351L	8	Screw

Note(1) Introduction of 1988 Model Year - VIN EA314268  
 Note(2) Introduction of 1989 Model Year - VIN FA  
 Note(3) LUH = Ripple grey  
 Note(4) LNP = Mid grey  
 Note(5) LUN = Ash

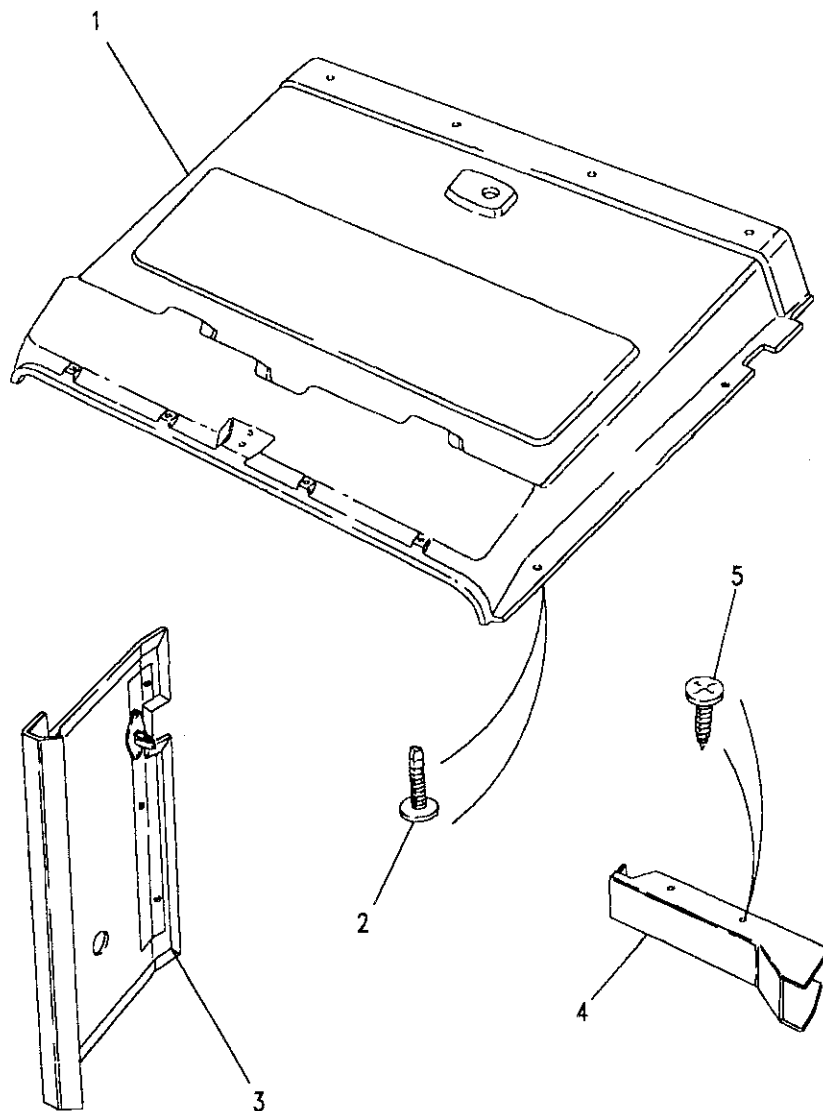




DEFENDER 110 1987 onwards

933

INTERIOR TRIM



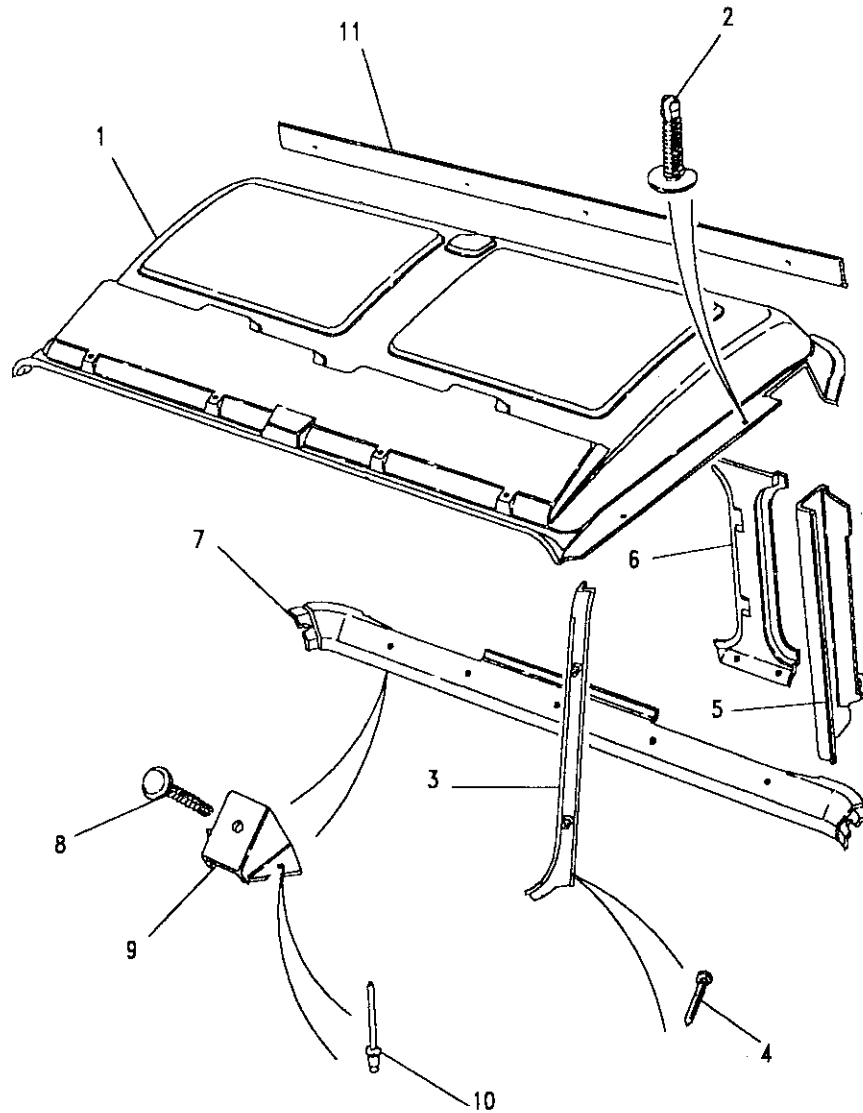
**Model** DEFENDER 110 1987 onwards  
**Page** AFPXKA3A

**TRIM - HARD TOP**

III. Part No.	Description	Qty	Remarks
<b>Headlining</b>			
1 MUC6651	Headlining front	1	Upto VIN 314291
MXC5857LUH	Headlining front	1	)From VIN 314292
			)Upto VIN 455595
MXC2345LUH	Headlining front	1	From VIN HA455596
BTR9178LUH	Headlining front	1	From MA939976
<b>Headlining with Sunroof Aperture</b>			
1 BTR1886LUH	Headlining front	1	From 1992MY
BTR4525LUH	Headlining front	1	From VIN JA906592
2 AFU1900	Fastener	8	Upto VIN 314291
MWC9832LUH	Fastener	8	From VIN 314292
<b>Germany - Upto VIN 314291</b>			
3 MUC3844	Trim 'B' post RH	1	
MUC3845	Trim 'B' post LH	1	
4 MUC3630	Cover rear quarter panel	1	
MUC3631	Cover rear quarter panel	1	
5 AB608047L	Screw	4	

Note(1) LUH = Ripple grey



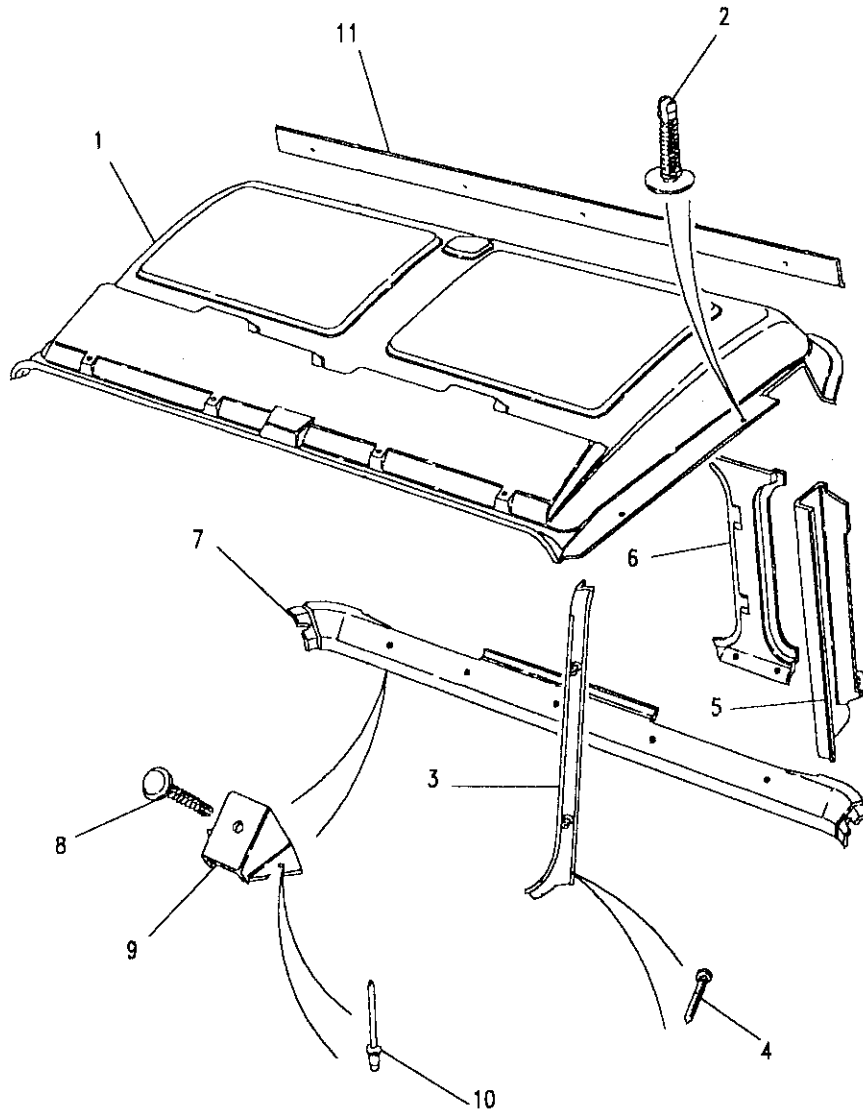


Model DEFENDER 110 1987 onwards  
 Page AFPXKA4A

TRIM - CAB

III. Part No.	Description	Qty	Remarks
1	MUC6496	1	Headlining
	MXC2348LUH	1	Headlining
	BTR9179LUH	1	Headlining
2	AFU1900	4	Fastener
	MWC9832LUH	4	Fastener
3	MTC5212	1	Trim 'A' post RH
	MWC2314	1	Trim 'A' post LH
4	AB606084	4	Screw
5	MUC6498	1	Trim 'B' post RH
	MUC6499	1	Trim 'B' post LH
	MWC5712LUH	1	Trim 'B' post RH
	MWC5713LUH	1	Trim 'B' post LH
6	MUC6652	1	Trim rear pillar RH
	MUC6653	1	Trim rear pillar LH
	MWC5710LUH	1	Trim rear pillar RH
	MWC5711LUH	1	Trim rear pillar LH
7	MUC6497	1	Trim rear lower
	MWC5708LUH	1	Trim rear lower
8	AFU1900	7	Fastener
	MWC9832LUH	7	Fastener





Model DEFENDER 110 1987 onwards  
Page AFPXKA4A

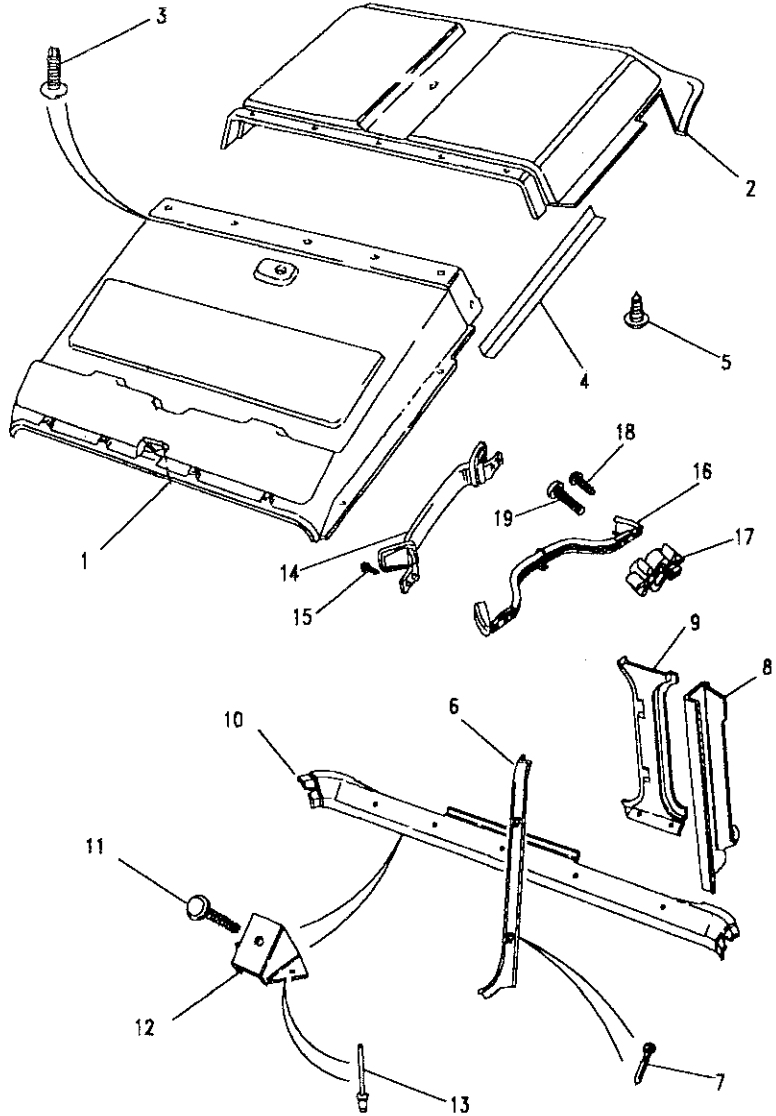
TRIM - CAB

III. Part No.	Description	Qty	Remarks
9	MTC5486	7	
10	RA608236L	14	
11	MWC9604	1	From VIN 314369
	AB608054L	4	Upto VIN KA930143 From VIN 314369 Upto VIN KA930143
<b>Defender 130 - Upto Note(1)</b>			
MUC6496	Headlining front	1	Upto VIN 314368
MXC2348LUH	Headlining front	1	From VIN 314369
RRC2409	Headlining centre	1	
RRC2476	Headlining rear	1	
RRC2595	Trim cab back RH	1	
RRC2596	Trim cab back LH	1	
RRC2626	Trim cantrail rear RH	1	
RRC2629	Trim cantrail rear LH	1	

Note(1) Upto introduction of 1991 Model Year  
Note(2) LUH = Ripple grey







Model DEFENDER 110 1987 onwards  
 Page AFPXKA5A

TRIM - ROOF TRIM - DEFENDER 130 - 1991 MODEL YEAR

III. Part No.	Description	Qty	Remarks
1	RRC7587LUH	1	Headlining front
	BTR9183LUH	1	Headlining front
2	RRC7190LUH	1	Headlining rear
	AWR1049LUH	1	Headlining rear
3	MWC9832LUH	17	Fastener
4	RRC7198LUH	2	Side angle
5	AB606051L	2	Screw
6	MTC5212	1	Trim 'A' post RH
	MWC2314	1	Trim 'A' post LH
7	AB606084	4	Screw
8	MWC5712LUH	1	Trim 'B' post RH
	MWC5713LUH	1	Trim 'B' post LH
9	MWC5710LUH	1	Trim rear pillar RH
	MWC5711LUH	1	Trim rear pillar LH
10	MWC5708LUH	1	Trim rear lower
11	AFU1900	7	Fastener
12	MTC5486	7	Bracket mounting
13	RA608236L	14	Rivet
14	YGA2682L	4	Handle grab
	YGA2682L	2	Handle grab
15	AB608061L	16	Screw
	AB608061L	8	Screw
16	JPC5641LUN	2	Grab handle
17	PAM4356L	4	Spacer
18	AB608107	4	Screw
19	SE105351L	4	Screw

Note(1) LUH = Ripple grey  
 Note(2) LUN = Ash





DEFENDER 110 1987 onwards

937

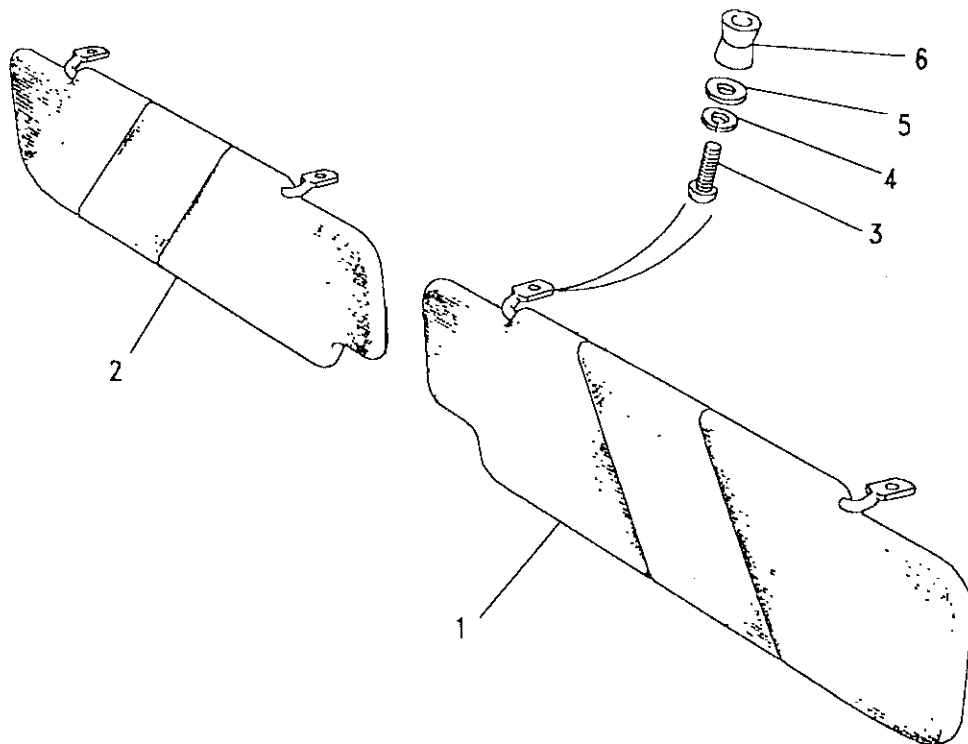
INTERIOR TRIM

Model DEFENDER 110 1987 onwards

Page AFPXKC1A

TRIM - SUNVISORS

III. Part No.	Description	Qty	Remarks
1	MTC5698 Sunvisor RH	1	Upto VIN 314291
2	MTC5699 Sunvisor LH	1	Upto VIN 314291
	MXC1394LUH Sunvisor RH	1	From VIN EA314292
	MWC5737LUH Sunvisor LH	1	Note(1) From VIN EA314292
<b>Untrimmed Vehicle - Upto VIN KA926047</b>			
3	SE106201L Screw	4	
4	WL106001L Washer spring	4	
5	WA106041L Washer plain	4	
6	NN106021 Nut anchor	4	From VIN FA413939
<b>Untrimmed Vehicle - From VIN KA926048</b>			
3	AB614061L Screw	4	
4	WL106001L Washer spring	4	
5	WA106041L Washer plain	4	
6	79246 Nut spire	4	
<b>Trimmed Vehicle - Upto VIN KA926047</b>			
3	SE106251L Screw	4	
4	WL106001L Washer spring	4	
5	WA106041L Washer plain	4	
6	NN106021 Nut anchor	4	From VIN FA413939





Model DEFENDER 110 1987 onwards

Page AFPXKC1A

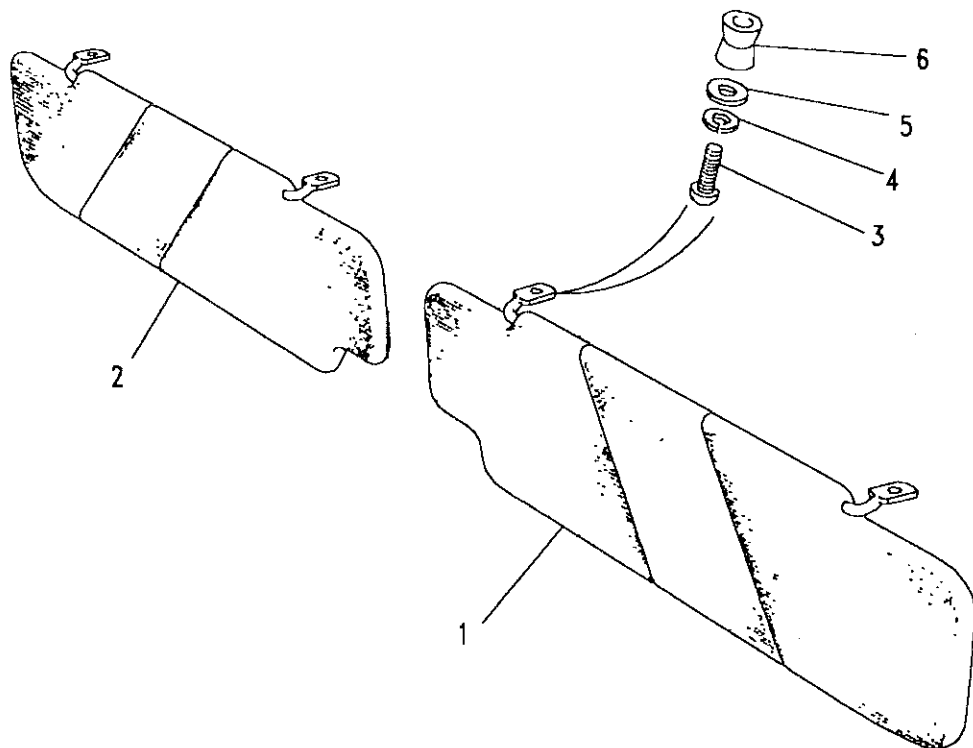
TRIM - SUNVISORS

III. Part No.	Description	Qty	Remarks
---------------	-------------	-----	---------

<b>Trimmed Vehicle - From VIN KA926048</b>			
3	AB614081L	Screw	4
4	WL106001L	Washer spring	4
5	WA106041L	Washer plain	4
6	79246	Nut spire	4

Note(1) Introduction of 1988 Model Year

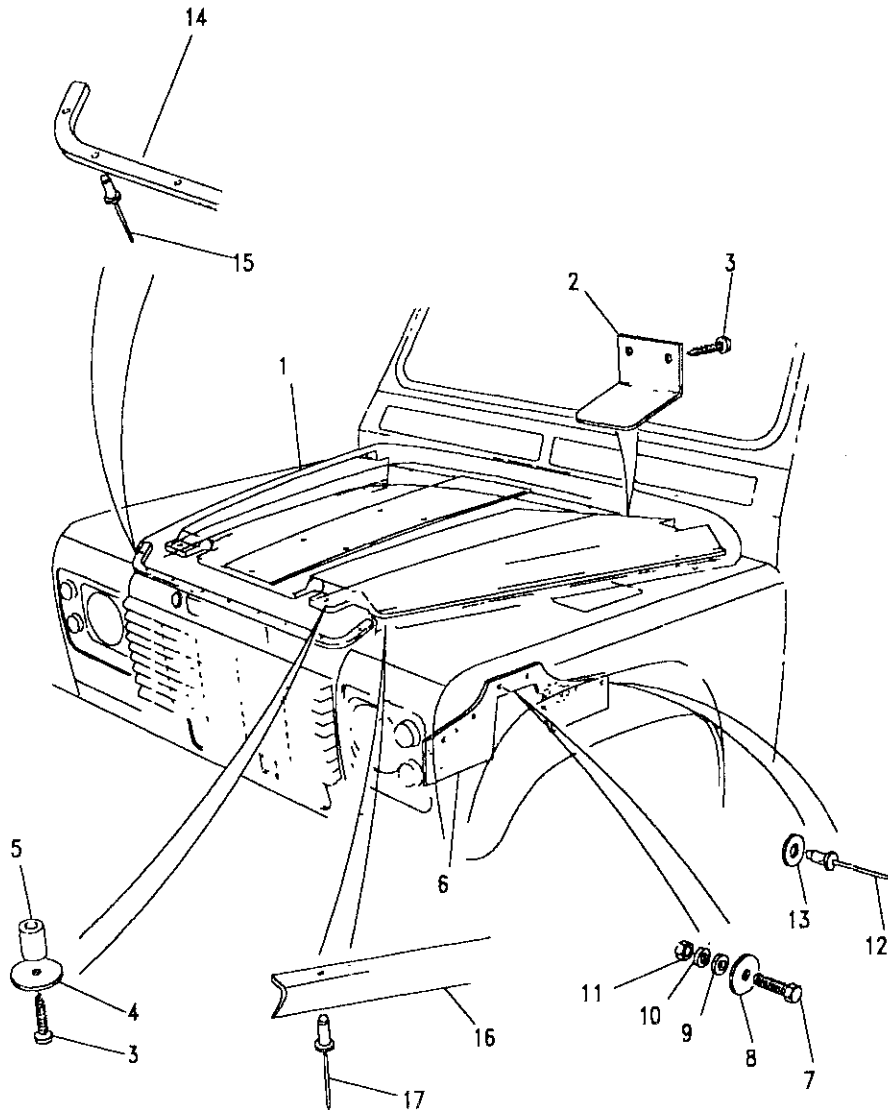
Note(2) LUH = Ripple grey





Model DEFENDER 110 1987 onwards  
 Page AFPXMA1A

TRIM - BONNET INSULATION



III. Part No.	Description	Qty	Remarks
1	BTR3415	1	Insulation bonnet
	BTR6189	1	Insulation bonnet
2	MTC4657	2	Bracket mounting
3	AR608061	13	Screw
	AR608061	9	From VIN JA915269
4	AFU1071	9	Washer
5	AFU1497	9	Spacer
	RU612373L	9	Rivet
	RU612373L	9	Alternative fixing
6	MTC6324	2	Insulation wheelarch
7	FS106201L	4	Flange screw
8	AFU1261	4	Washer plain
9	WA106041L	4	Washer plain
10	WL106001L	4	Washer spring
11	NH106041L	4	Nut
12	RA612346	8	Rivet
13	AFU1256	8	Washer plain
14	MRC7104	1	Finisher bonnet
15	AFU1172	9	Rivet
16	MTC6413	2	Seal bonnet side
17	RU612373L	16	Rivet

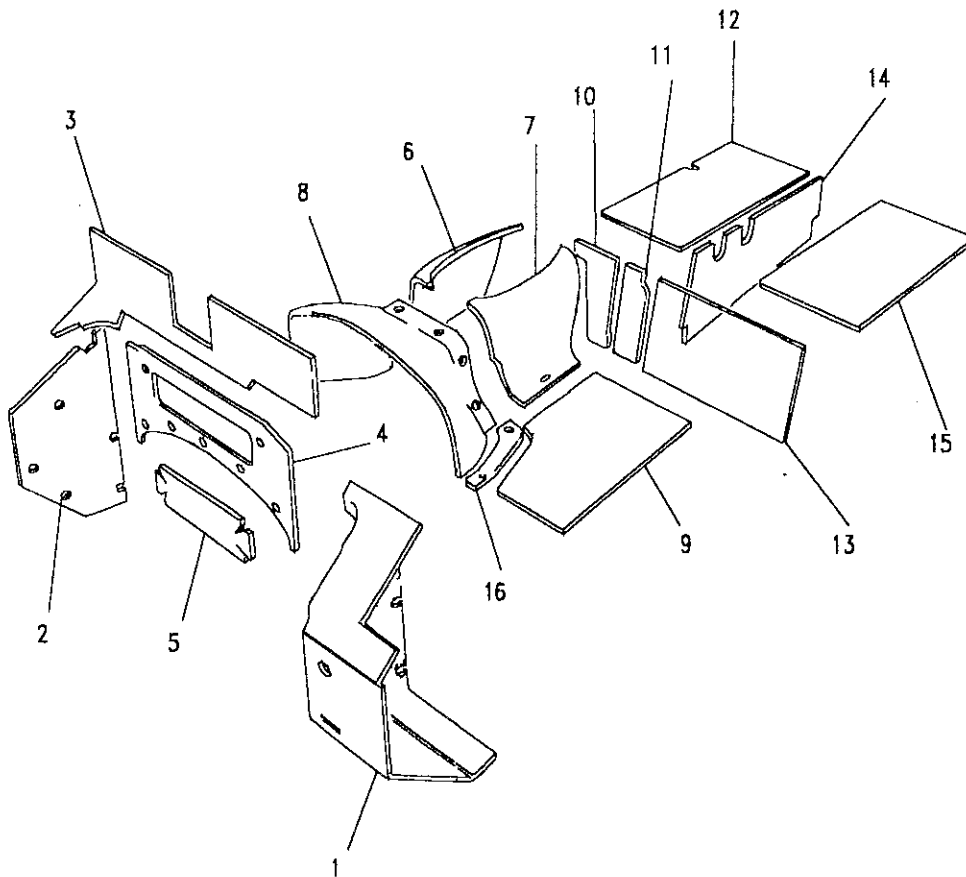




Model DEFENDER 110 1987 onwards

Page AFPXMA2A

## TRIM - HEAT INSULATION - TURBO DIESEL



III. Part No.	Description	Qty	Remarks
1	MWC8203	1	RHS
	MWC8201	1	LHS
2	MWC8202	1	
3	MWC8205	1	
4	MWC8206	1	
5	MWC8207	1	
6	MWC8208	1	
7	MWC8209	1	
8	MWC8210	1	
9	MWC8211	1	
10	MWC8212	1	RHS
	BTR362	1	Upto VIN 455595
	MWC8213	1	RHS
	BTR361	1	From VIN HA455596
			LHS
			Upto VIN 455595
			LHS
			From VIN HA455596
11	MWC8214	1	Upto VIN 455595
	BTR363	1	From VIN HA455596





DEFENDER 110 1987 onwards

941

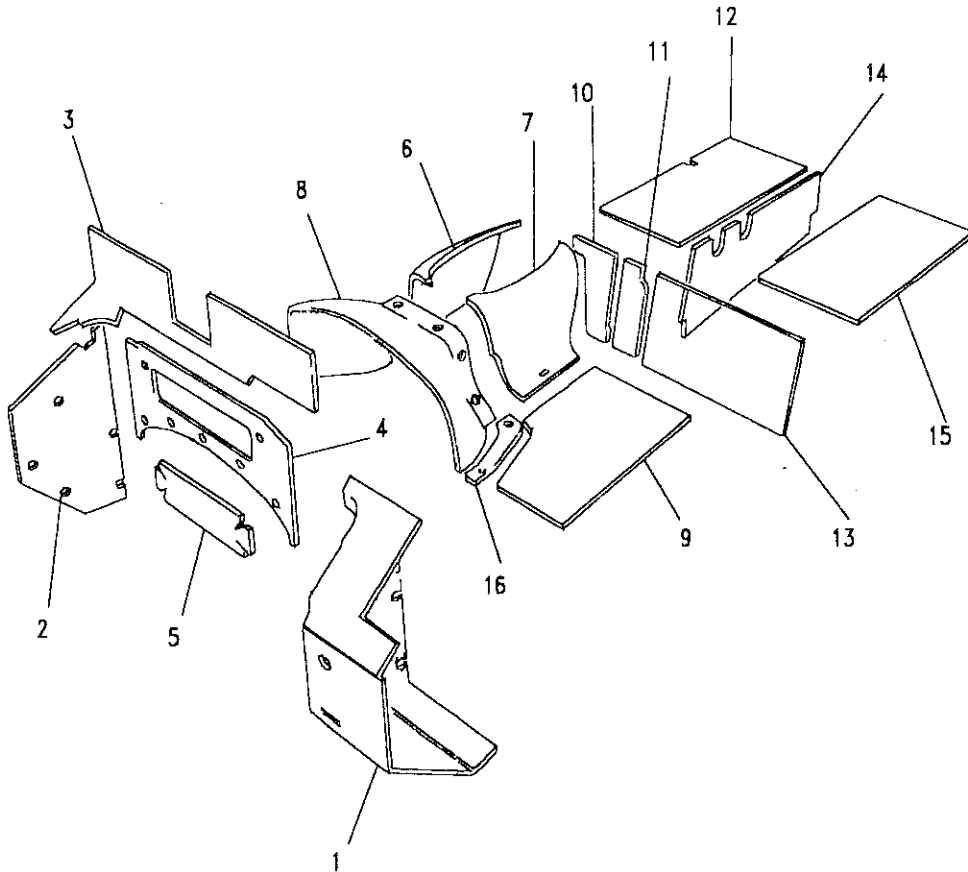
INTERIOR TRIM

Model DEFENDER 110 1987 onwards

Page AFPXMA2A

TRIM - HEAT INSULATION - TURBO DIESEL

III. Part No.	Description	Qty	Remarks
12 MWC8215	Insulation intmd panel LH	1	
13 MWC8216	Insulation batt box front	1	Upto VIN 455595
BTR364	Insulation batt box front	1	From VIN HA455596
14 MWC8217	Insulation batt box side	1	Upto VIN 455595
BTR365	Insulation batt box side	1	From VIN HA455596
15 MWC8218	Insulation batt box lid	1	
16 MWC8219	Insulation diaph flnge LH	1	





Model DEFENDER 110 1987 onwards

Page AFPXMA3A

TRIM - SEATBASE INSULATION

III. Part No.	Description	Qty	Remarks
---------------	-------------	-----	---------

Insulation seatbase front - Upto VIN 455595

1	MXC1804PMA	Insulation RH	1	4 cylinder
2	MXC1805PMA	Insulation LH	1	4 cylinder
	MXC1806PMA	Insulation	1	V8

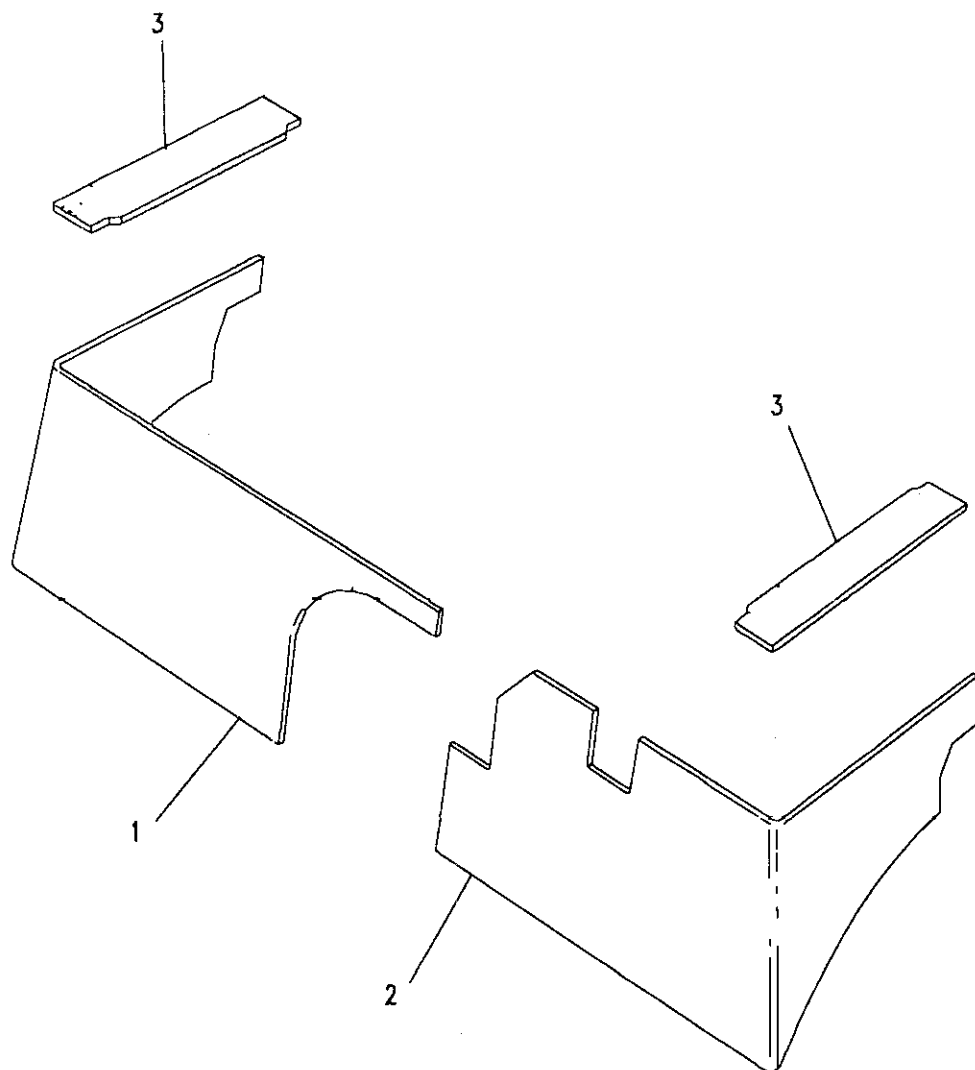
Insulation seatbase front - From VIN HA455596

1	MXC5088PMA	Insulation RH	1	4 cylinder
2	MXC5089PMA	Insulation LH	1	4 cylinder
	MXC5090PMA	Insulation	1	V8 LT85
	BTR1197PMA	Insulation	1	V8 LT77

Insulation seatbase top - Upto VIN 347052

3	396950	Insulation RH	1	
	396951	Insulation LH	1	

Note(1) PMA = Black





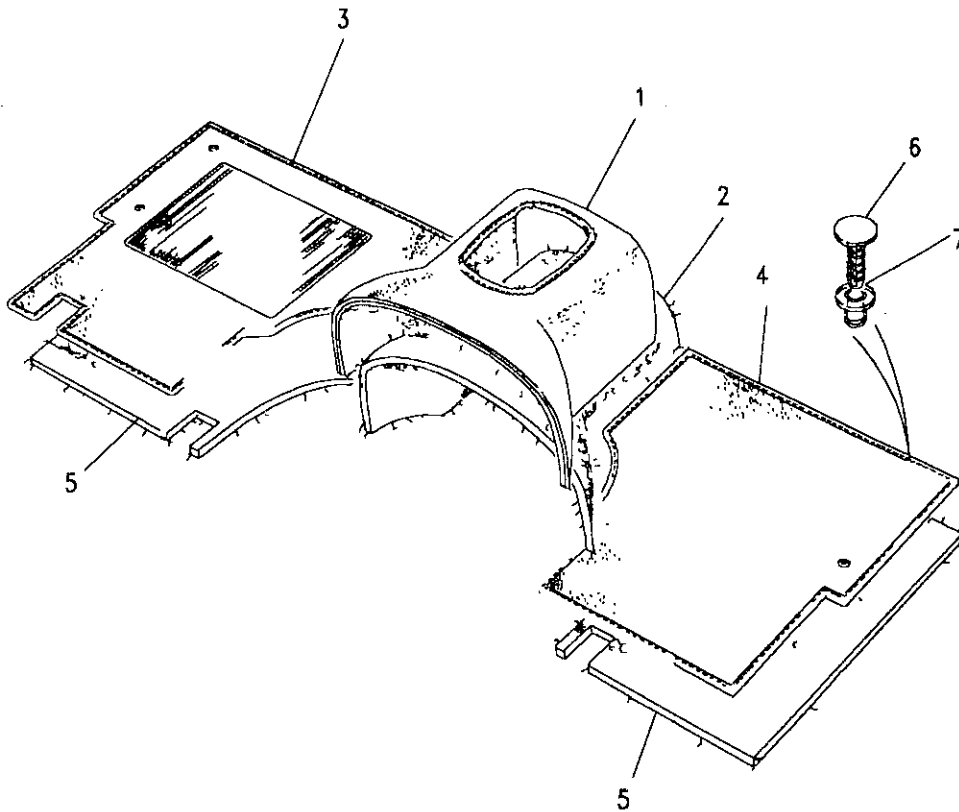
Model DEFENDER 110 1987 onwards

Page AFPXPA1A

## TRIM - CARPETS - FRONT FLOOR

III. Part No.	Description	Qty	Remarks
<b>Upto Note(1)</b>			
1 MUC1361RD	Carpet tunnel	1	4 cylinder
MUC1257RD	Carpet tunnel	1	V8
<b>From Note(1)</b>			
<b>4 Cylinder</b>			
1 MUC1361LDE	Carpet tunnel	1	Upto LA939975
BTR9321LDE	Carpet tunnel	1	From MA939976
<b>8 Cylinder</b>			
MUC1257LDE	Carpet tunnel	1	V8 LT85
BTR1200LDE	Carpet tunnel	1	V8 LT77
BTR9321LDE	Carpet tunnel	1	From MA939976
2 MUC1499	Felt tunnel	1	4 cylinder
MUC1494	Felt tunnel	1	V8
<b>Upto Note(1)</b>			
3 MUC1358RD	Carpet front floor RH	1	RHS 4 cylinder
MUC1362RD	Carpet front floor RH	1	LHS 4 cylinder
MUC1258RD	Carpet front floor RH	1	RHS V8
MUC1264RD	Carpet front floor RH	1	LHS V8

Note(1) For centre dash carpet see page 924 - 927







Model DEFENDER 110 1987 onwards

Page AFPXPA1A

TRIM - CARPETS - FRONT FLOOR

Ill. Part No. Description Qty Remarks

From Note(1)

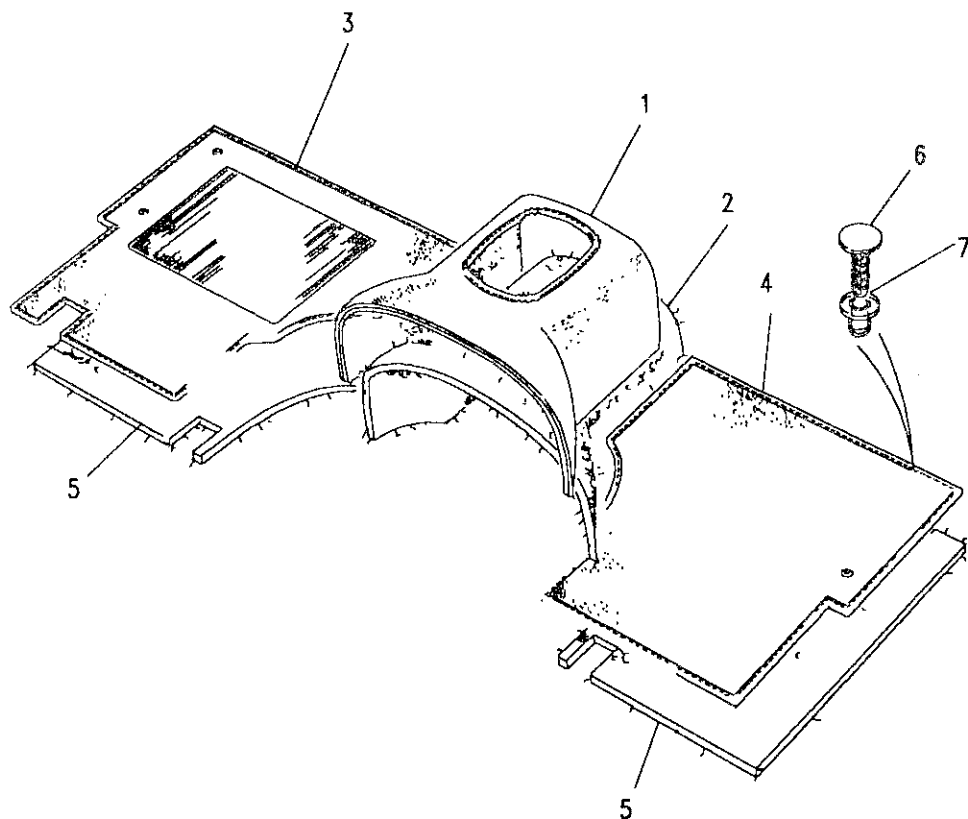
3	MUC1358LDE	Carpet front floor RH	1	RHS 4 cylinder
	MUC1362LDE	Carpet front floor RH	1	LHS 4 cylinder
	MUC1258LDE	Carpet front floor RH	1	RHS V8
	MUC1264LDE	Carpet front floor RH	1	LHS V8

Upto note(1)

4	MUC1357RD	Carpet front floor LH	1	RHS 4 cylinder
	MUC1363RD	Carpet front floor LH	1	LHS 4 cylinder
	MUC1259RD	Carpet front floor LH	1	RHS V8
	MUC1265RD	Carpet front floor LH	1	LHS V8

From Note(1)

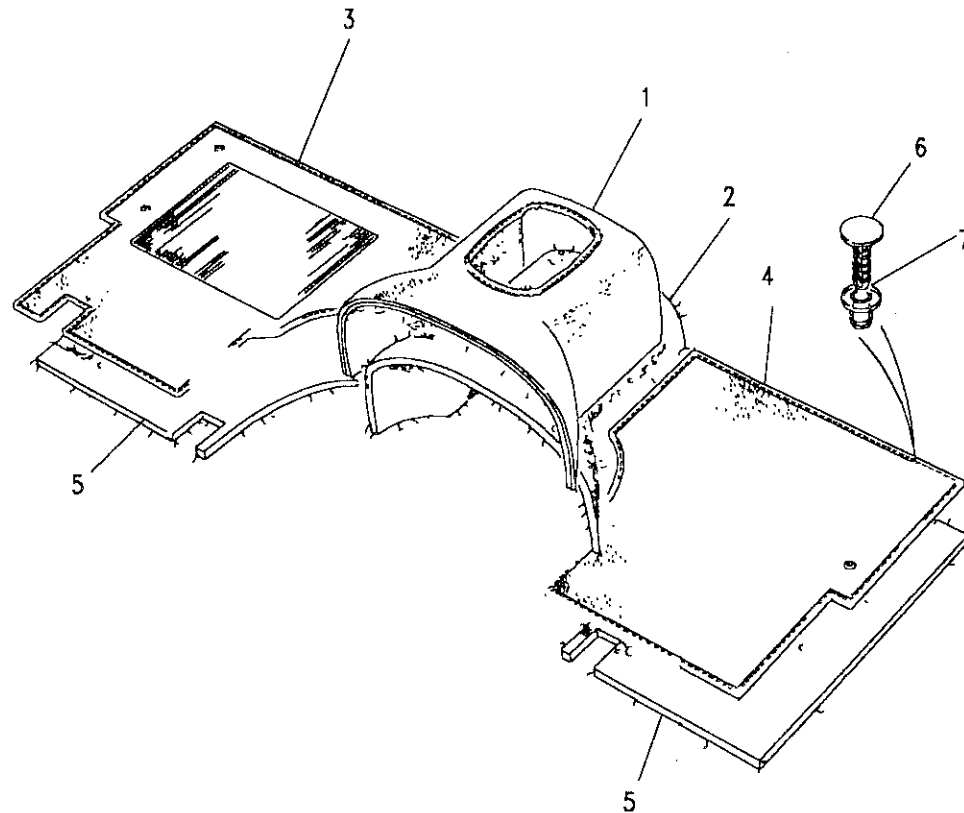
4	MUC1357LDE	Carpet front floor LH	1	RHS 4 cylinder
	MUC1363LDE	Carpet front floor LH	1	LHS 4 cylinder
	MUC1259LDE	Carpet front floor LH	1	RHS V8 LT85
	BTR1682LDE	Carpet front floor LH	1	RHS V8 LT77
	MUC1265LDE	Carpet front floor LH	1	LHS V8 LT85
	BTR1681LDE	Carpet front floor LH	1	LHS V8 LT77





**Model** DEFENDER 110 1987 onwards  
**Page** AFPXPA1A

## TRIM - CARPETS - FRONT FLOOR



III. Part No.	Description	Qty	Remarks
5 MUC1498	Felt front floor RH	1	4 cylinder Upto VIN KA929547
BTR8114	Felt floor front RH	1	LT77 From VIN KA929548
MUC1497	Felt front floor LH	1	4 cylinder Upto VIN KA929547
BTR8115	Felt floor front LH	1	LT77 From VIN KA929548
MUC1268	Felt front floor RH	1	V8 Upto VIN KA929547
BTR8116	Felt floor front RH	1	V8 From VIN KA929548
MUC1269	Felt front floor LH	1	V8 LT85
BTR1683	Felt front floor LH	1	V8 LT77 Upto VIN KA929547
BTR8117	Felt floor front LH	1	V8 From VIN KA929548
6 RTC3938AV	Fastener	4	Upto Note(1)
RTC3938LDE	Fastener	4	From Note(1)
7 13H2475L	Stud anchor	4	

Note(1) Introduction of 1988 Model Year - Regular VIN EA314292, Station Wagon VIN EA314268

Note(2) RD = Brushwood

Note(3) LDE = Slate

Note(4) AV = Brushwood





**Model** DEFENDER 110 1987 onwards

**Page** AFPXPA2A

**TRIM - CARPETS - SEATBASE**

**Ill. Part No. Description Qty Remarks**

**RHD 4 cylinder - Upto Note(2)**

1	MUC1360RD	Carpet seatbase front RH	1	
	MUC2160RD	Carpet seatbase front RH	1	Note(1)
	MUC1359RD	Carpet seatbase front LH	1	

**RHD 4 cylinder - From Note(2) upto VIN 347903**

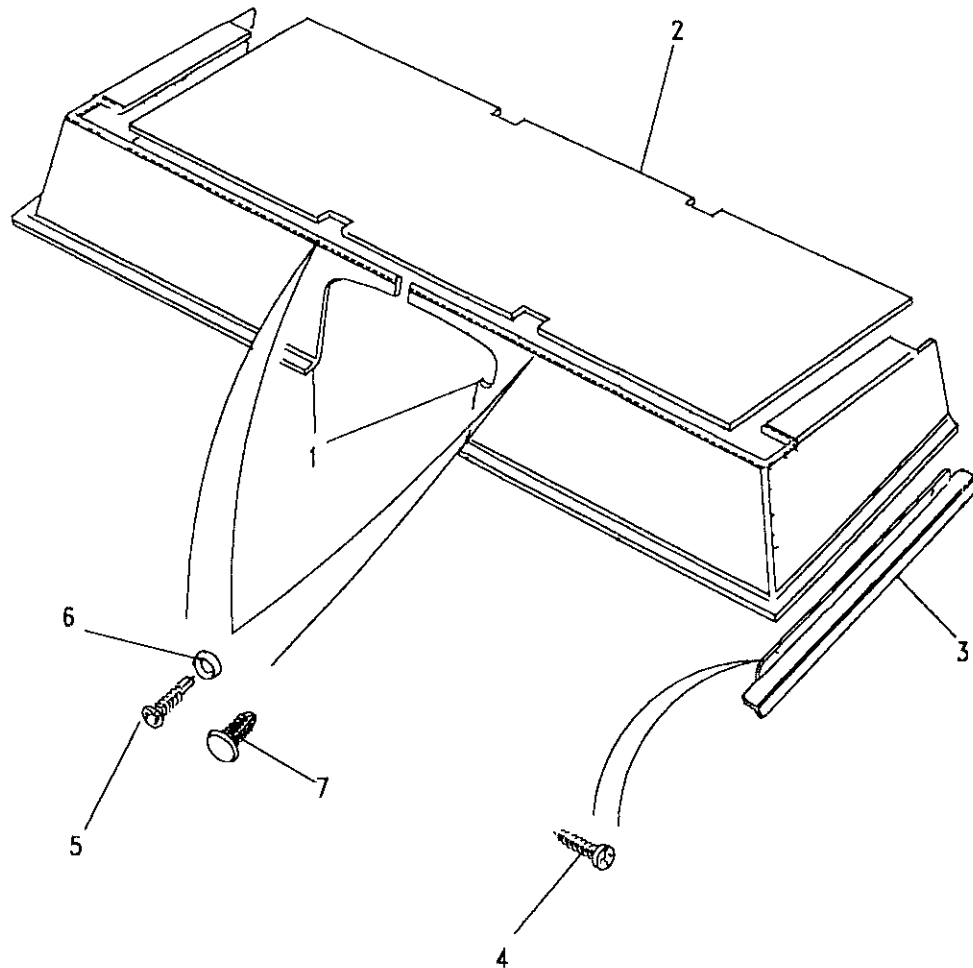
1	MWC7658LDE	Carpet seatbase front RH	1	
	MWC7658LDE	Carpet seatbase front RH	1	Note(1)
	MWC7657LDE	Carpet seatbase front LH	1	

**RHD V8 - Upto Note(2)**

1	MUC1260RD	Carpet seatbase front RH	1	
	MUC1260RD	Carpet seatbase front RH	1	Note(1)
	MUC1261RD	Carpet seatbase front LH	1	

**RHD V8 - From Note(2) upto VIN 347903**

1	MWC7660LDE	Carpet seatbase front RH	1	
	MWC7660LDE	Carpet seatbase front RH	1	Note(1)
	MWC7659LDE	Carpet seatbase front LH	1	



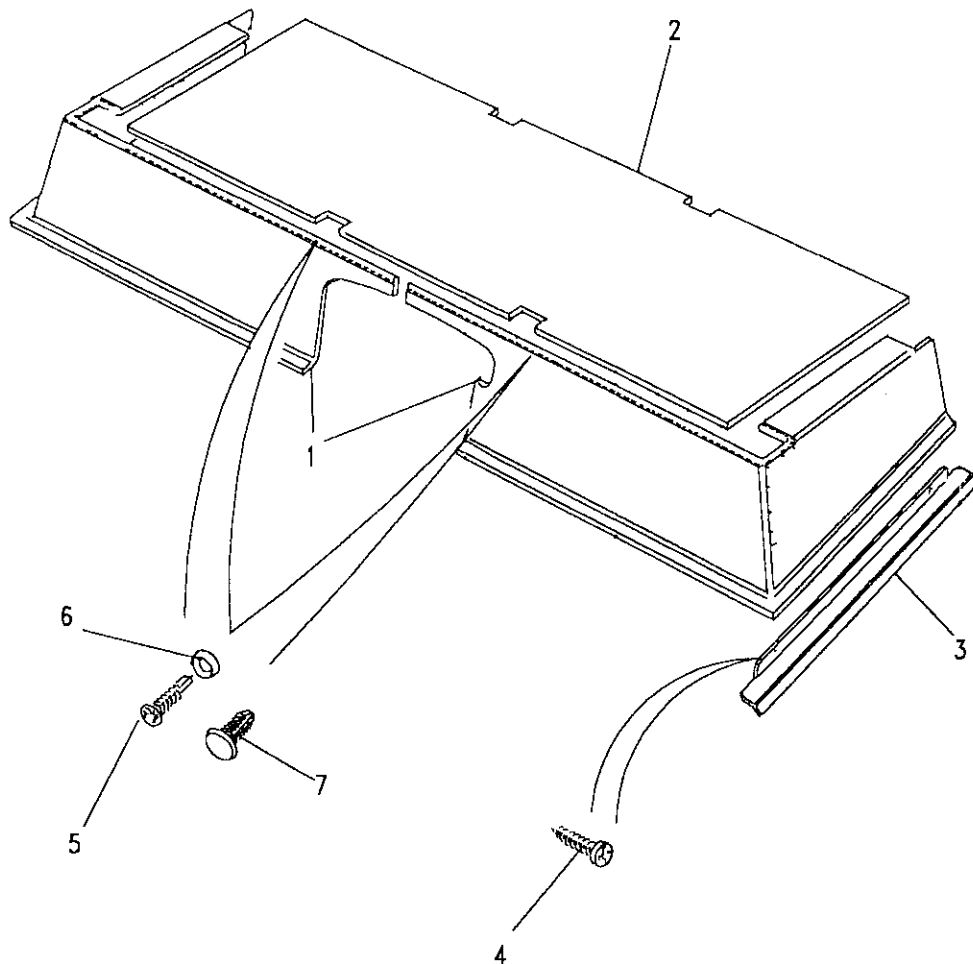


Model DEFENDER 110 1987 onwards

Page AFPXPA2A

TRIM - CARPETS - SEATBASE

III. Part No.	Description	Qty	Remarks
<b>LHD 4 cylinder - Upto Note(2)</b>			
1 MUC1364RD	Carpet seatbase front RH	1	
MUC2161RD	Carpet seatbase front RH	1	Note(1)
MUC1365RD	Carpet seatbase front LH	1	
<b>LHD 4 cylinder - From Note(2) upto VIN 347903</b>			
1 MWC7662LDE	Carpet seatbase front RH	1	
MWC7662LDE	Carpet seatbase front RH	1	Note(1)
MWC7661LDE	Carpet seatbase front LH	1	
<b>LHD V8 - Upto Note(2)</b>			
1 MUC1266RD	Carpet seatbase front	1	
MUC1266RD	Carpet seatbase front	1	Note(1)
<b>LHD V8 - From Note(2) upto VIN 347903</b>			
1 MWC7663LDE	Carpet seatbase front	1	
MWC7663LDE	Carpet seatbase front	1	Note(1)



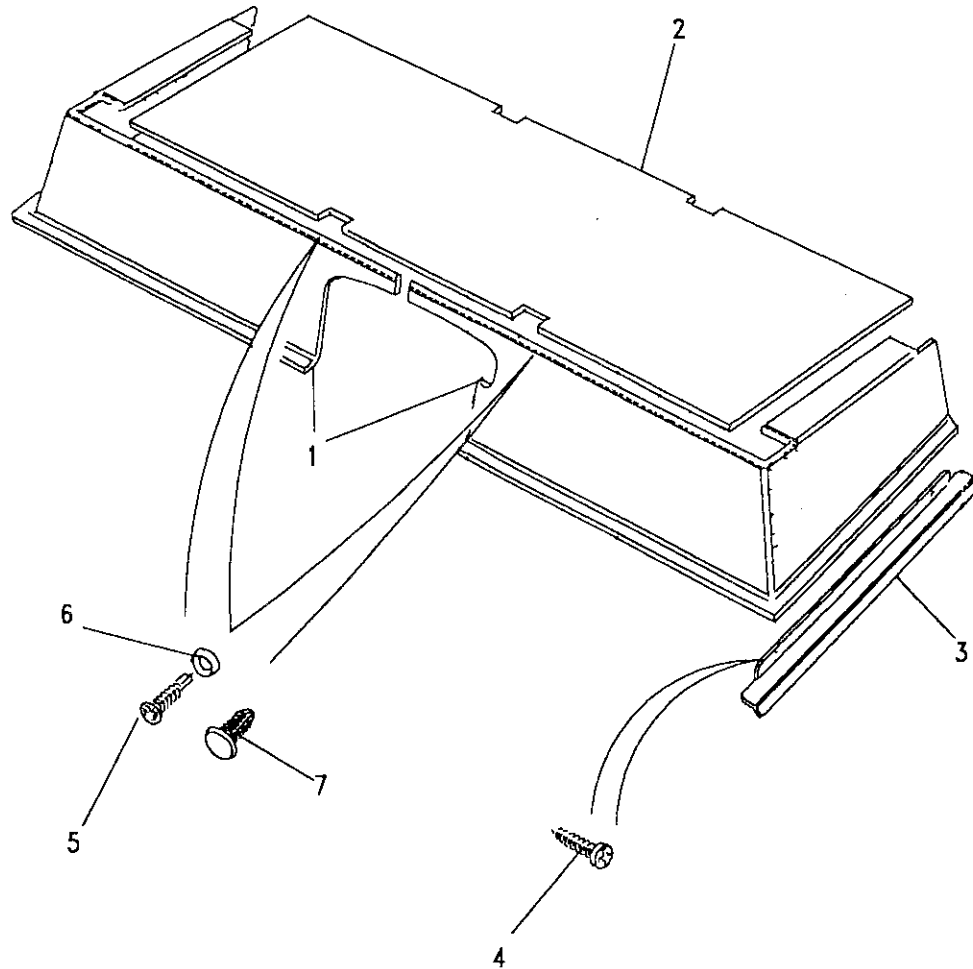


Model DEFENDER 110 1987 onwards

Page AFPXPA2A

## TRIM - CARPETS - SEATBASE

III. Part No.	Description	Qty	Remarks
<b>From VIN 347904 upto VIN 455595</b>			
1	MWC9370LDE	1	4 cylinder
	MWC9371LDE	1	4 cylinder
	MWC9369LDE	1	V8
<b>From VIN HA455596</b>			
1	MXC2338LDE	1	4 cylinder
	MXC2339LDE	1	4 cylinder
	MXC2340LDE	1	V8 LT85
	BTR1194LDE	1	V8 LT77
2	MUC1757	1	Upto Note(2)
	MUC1757LDE	1	From Note(2)
			Upto VIN 455595
	MXC2337LDE	1	From VIN HA455596





DEFENDER 110 1987 onwards

949

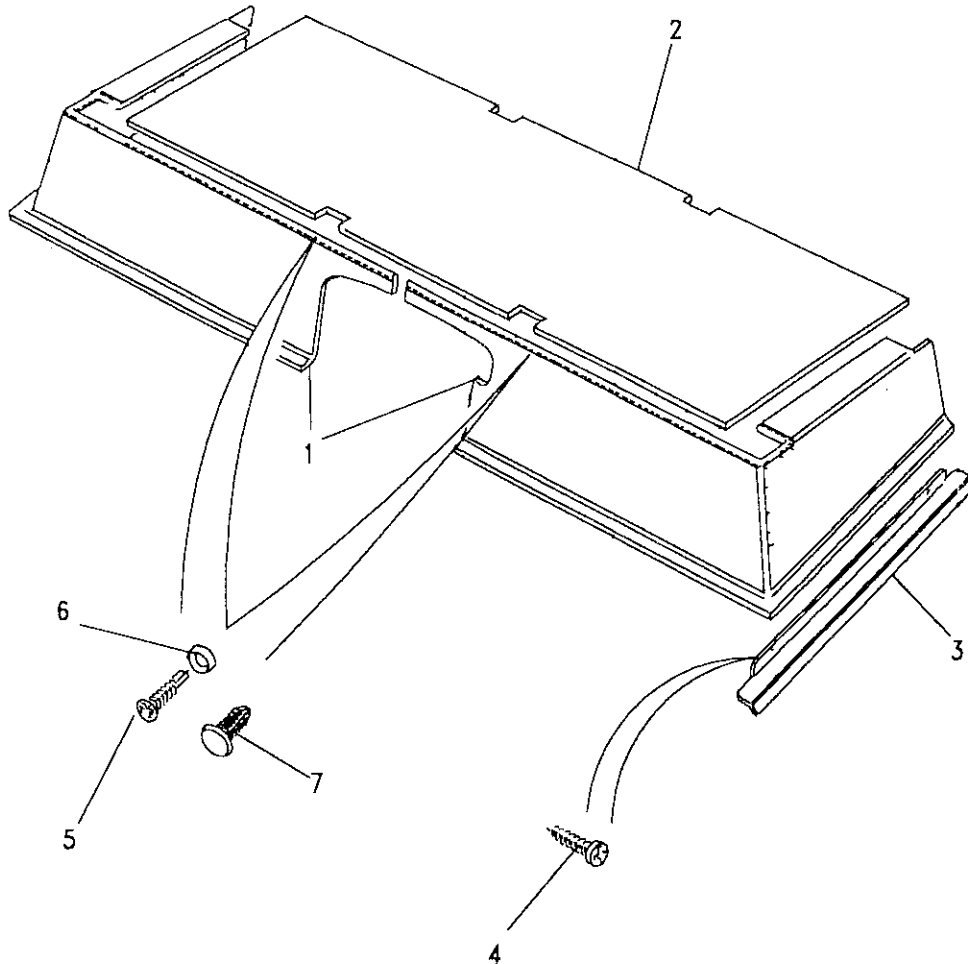
INTERIOR TRIM

Model DEFENDER 110 1987 onwards  
Page AFPXPA2A

TRIM - CARPETS - SEATBASE

III. Part No.	Description	Qty	Remarks
3 MUC1500	Retainer	2	Upto VIN KA924784
<b>Non Station Wagon only - From VIN 347904</b>			
3 MWC9376	Retainer	2	Upto VIN KA924784
4 AB606054L	Screw	6	Upto VIN KA924784
5 MTC9428	Screw tek	16	Upto Note(2)
6 MTC9429	Washer cup	16	Upto Note(2)
7 AFU1897LDE	Fastener	9	From Note(2)

Note(1) Vehicles with additional fuel tank  
 Note(2) Introduction of 1988 Model Year - Regular VIN EA314292, Station Wagon VIN EA314268  
 Note(3) RD = Brushwood  
 Note(4) LDE = Slate





Model DEFENDER 110 1987 onwards

Page AFPXPA3A

## TRIM - CARPETS - INTERMEDIATE FLOOR

III. Part No.	Description	Qty	Remarks
1	MUC6667RD	1	Upto Note(1)
	MUC6667LDE	1	From Note(1)
2	396541	2	
3	396542	1	
4	AB606041L	6	
5	MUC1353AV	1	Upto Note(1)
	MUC1353LDE	1	From Note(1)
6	MUC1495	1	
7	RTC3938AV	4	Upto Note(1)
	RTC3938LDE	4	From Note(1)
8	13H2475L	4	

## Carpet heelboard-Station Wagon - Upto Note(1)

9	MWC2315AV	1	10 seater
	MUC1759	1	12 seater

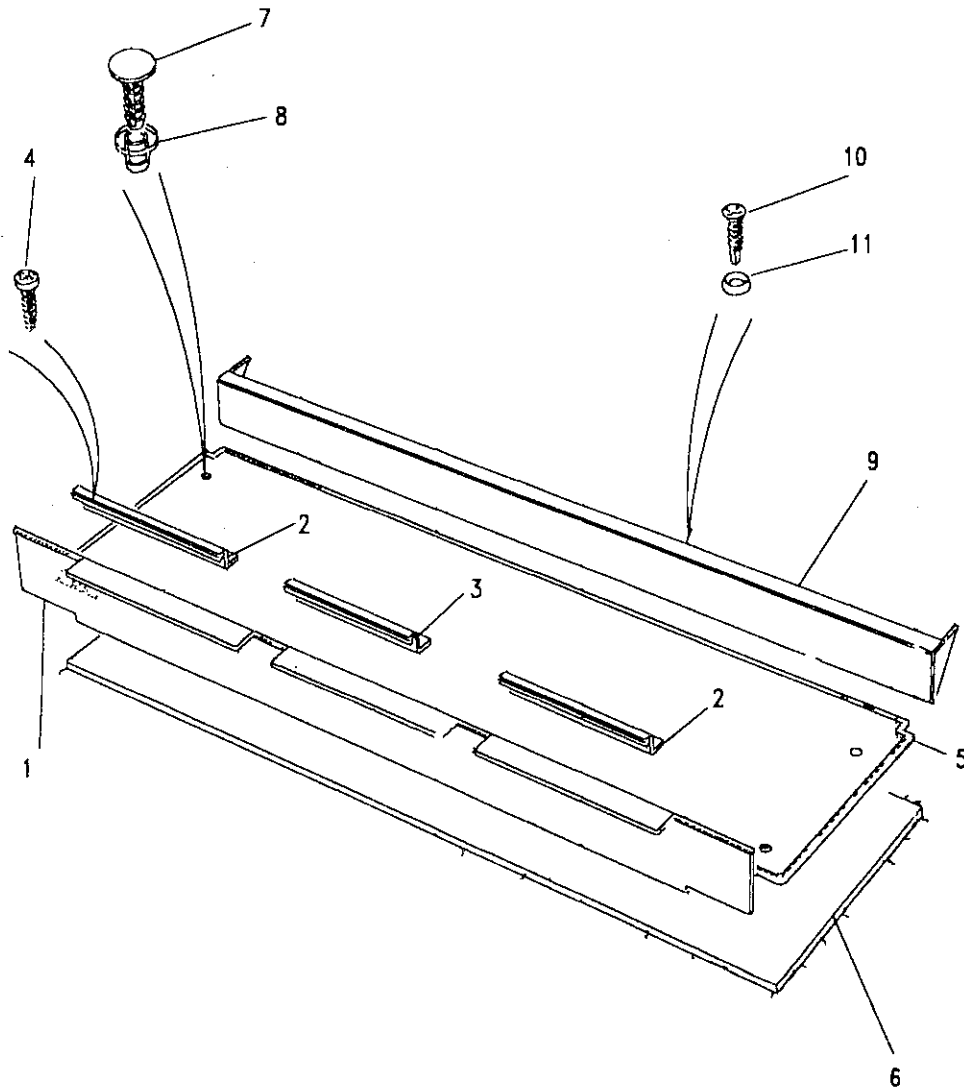
## Carpet heelboard-Station Wagon - From Note(1)

9	MWC2315LDE	1	10 seater
	MUC1759LDE	1	12 seater
10	MTC9428	12	
11	MTC9429	12	

Note(1) Introduction of 1988 Model Year - Regular VIN EA314292, Station Wagon VIN EA314268

Note(2) AV = Brushwood

Note(3) LDE = Slate





DEFENDER 110 1987 onwards

951

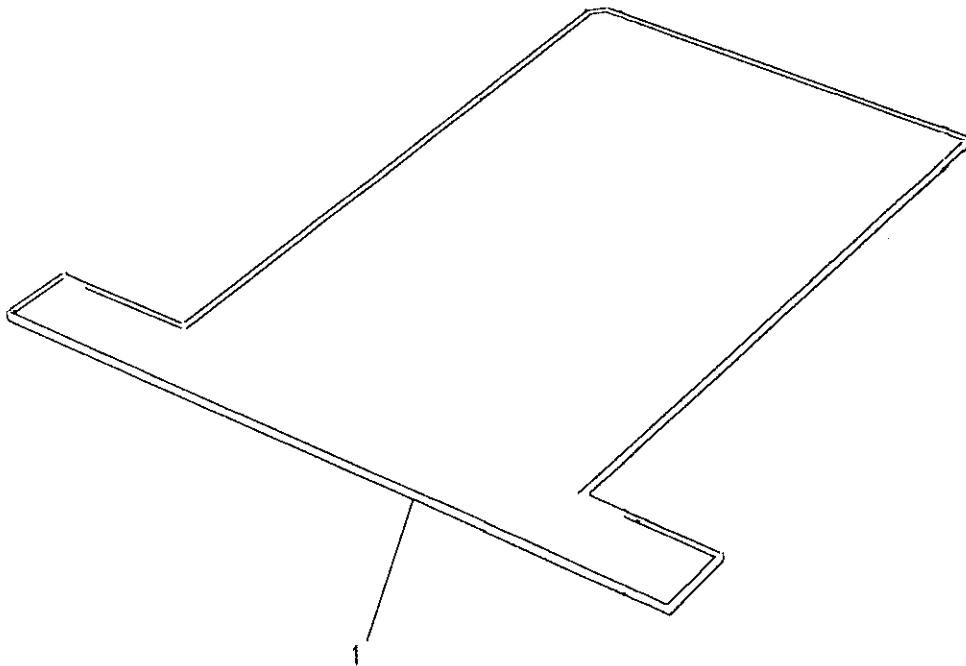
INTERIOR TRIM

**Model** DEFENDER 110 1987 onwards  
**Page** AFPXPC1A

**TRIM - CARPETS - REAR FLOOR**

III. Part No.	Description	Qty	Remarks
1 MUC1758RD	Carpet rear floor	1	Upto Note(1)
MUC1758LDE	Carpet rear floor	1	From Note(1)

Note(1) Introduction of 1988 Model Year - Regular VIN EA314292, Station Wagon VIN EA314268  
 Note(2) RD = Brushwood  
 Note(3) LDE = Slate





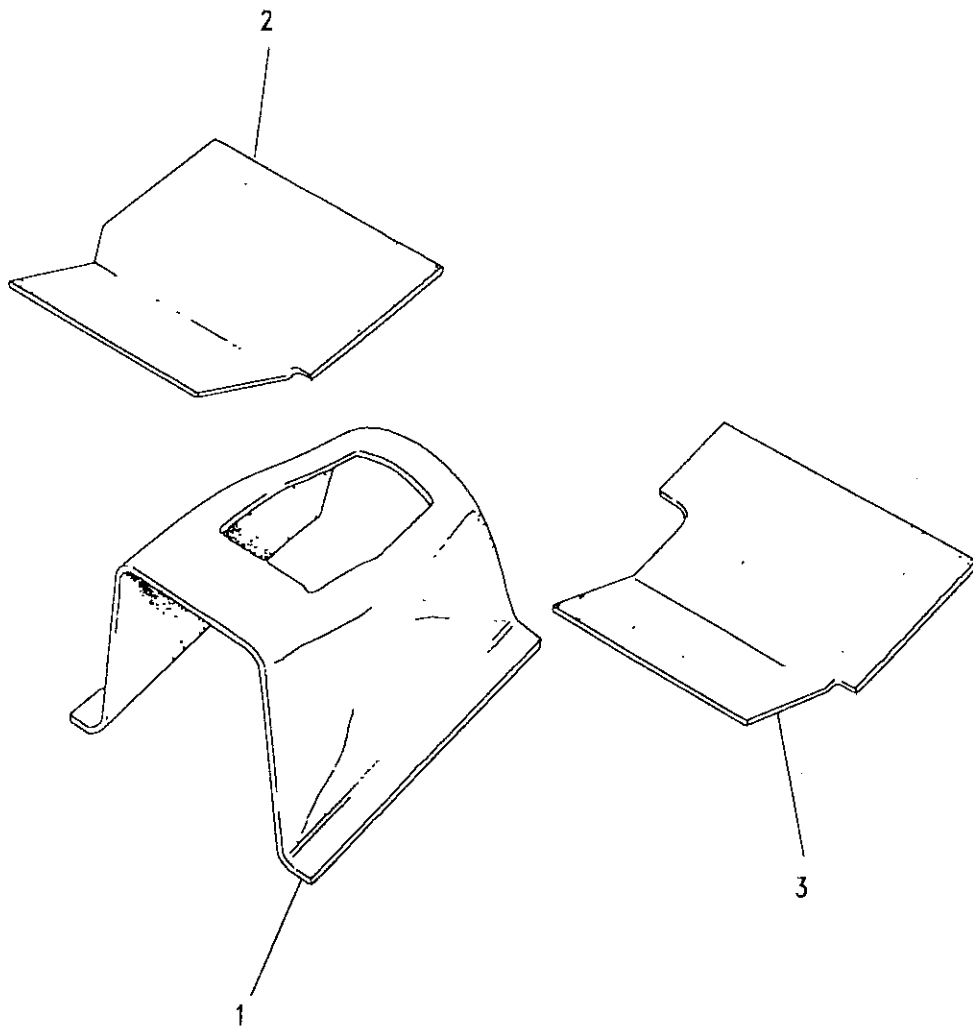


Model DEFENDER 110 1987 onwards

Page AFPXTA1A

## TRIM - FRONT FLOOR COVERS - RUBBER

III. Part No.	Description	Qty	Remarks
1 MUC1621	Cover tunnel	1	4 cylinder
MUC1253	Cover tunnel V8	1	LT85
BTR1198	Cover tunnel V8	1	LT77
BTR9320	Cover tunnel V8	1	From MA939976
<b>4 Cylinder</b>			
2 MUC2268	Cover floor RH RHS	1	Upto VIN KA929547
BTR7896	Cover floor RH	1	LT77
			From VIN KA929548
MUC2270	Cover floor RH LHS	1	Upto VIN KA929547
BTR7896	Cover floor RH	1	LT77
			From VIN KA929548
3 MUC2269	Cover floor LH RHS	1	Upto VIN KA929547
BTR7895	Cover floor LH	1	LT77
			From VIN KA929548
MUC2271	Cover floor LH LHS	1	Upto VIN KA929547
BTR7895	Cover floor LH	1	LT77
			From VIN KA929548
<b>V8</b>			
2 MUC1250	Cover floor RH RHS	1	Upto VIN KA929547
BTR7898	Cover floor RH	1	From VIN KA929548
MUC1254	Cover floor RH LHS	1	Upto VIN KA929547
BTR7898	Cover floor RH	1	From VIN KA929548
3 MUC1249	Cover floor LH RHS	1	LT85
BTR1680	Cover floor LH RHS	1	LT77
			Upto VIN KA929547
BTR7897	Cover floor LH	1	From VIN KA929548
MUC1255	Cover floor LH LHS	1	LT85
BTR1679	Cover floor LH LHS	1	LT77
			Upto VIN KA929547
BTR7897	Cover floor LH	1	From VIN KA929548





DEFENDER 110 1987 onwards

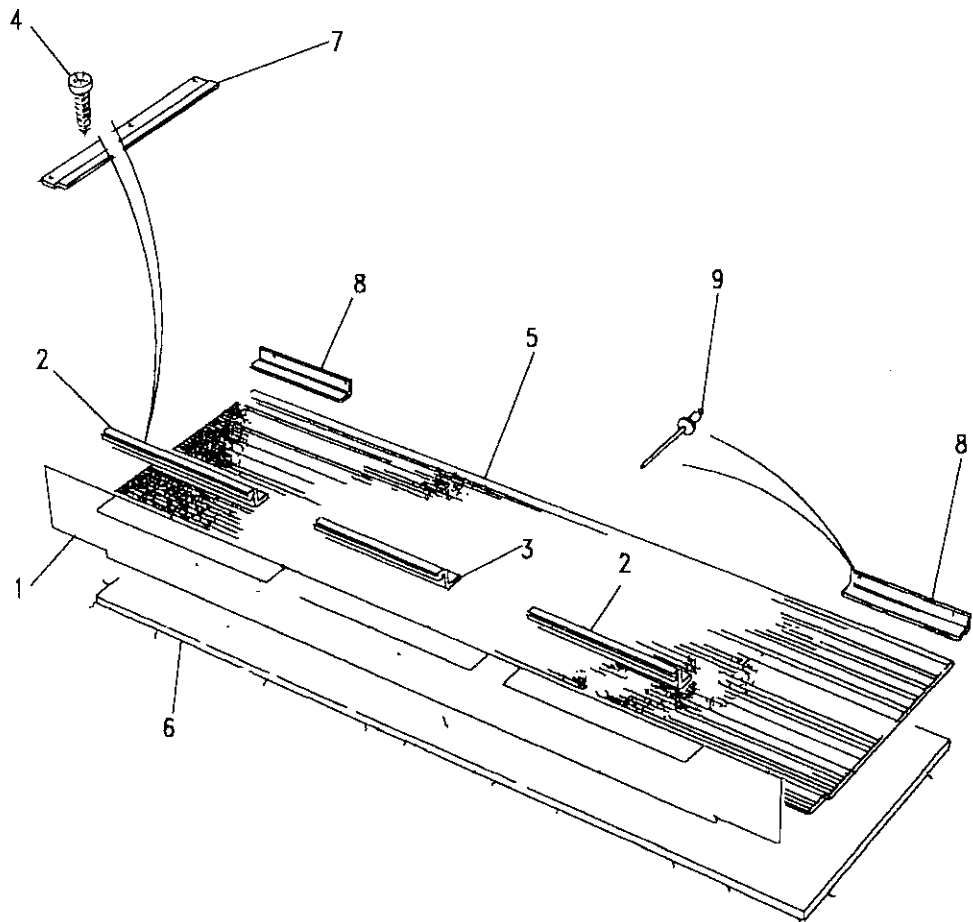
953

INTERIOR TRIM

Model DEFENDER 110 1987 onwards

Page AFPXTA2A

TRIM - INTERMEDIATE FLOOR COVER - NON CARPET



Ill. Part No.	Description	Qty	Remarks
1 396540	Cover toe panel	1	Upto VIN 455595
MXC6142PMA	Cover toe panel	1	From VIN HA455596
2 396541	Retainer outer	2	
3 396542	Retainer centre	1	
4 AB606041L	Screw	6	
5 331481	Mat intermediate floor	1	
6 MUC1495	Felt intermediate floor	1	
7 331480	Retainer side	2	
8 336780	Retainer heelboard RH	1	
336781	Retainer heelboard LH	1	
9 78248	Rivet	4	

Note(1) PMA = Black

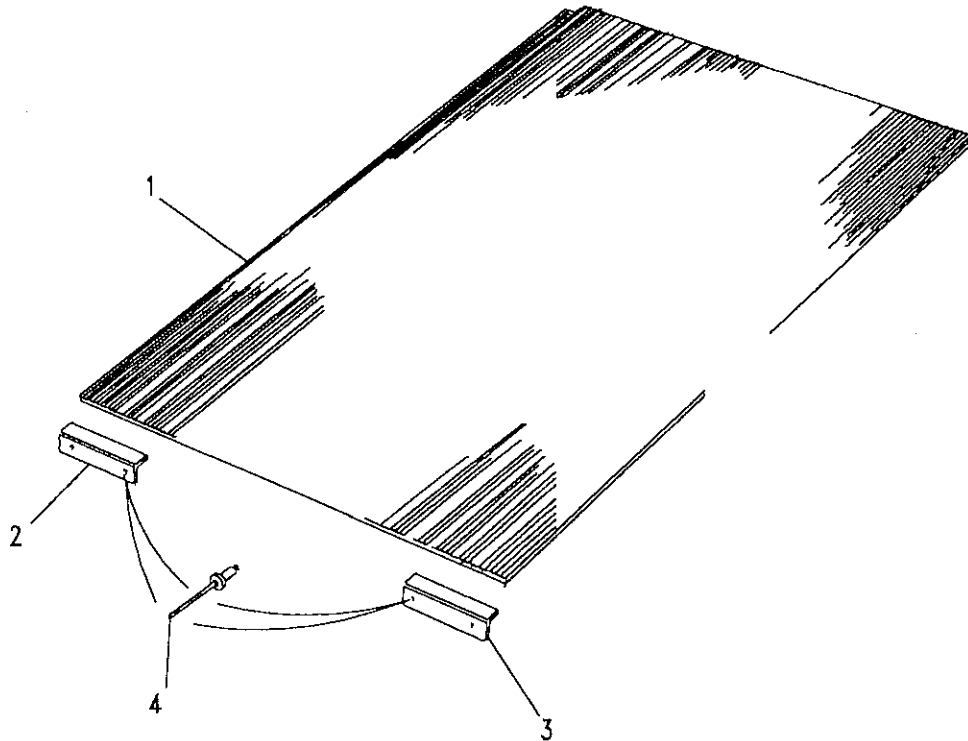




Model DEFENDER 110 1987 onwards  
Page AFPXTA3A

TRIM - REAR FLOOR COVER - NON CARPET

III. Part No.	Description	Qty	Remarks
1 331670	Mat rear floor	1	
2 336780	Retainer RH	1	
3 336781	Retainer LH	1	
4 78248	Rivet	4	
Defender 130 RRC6186	Mat rear cab floor	1	





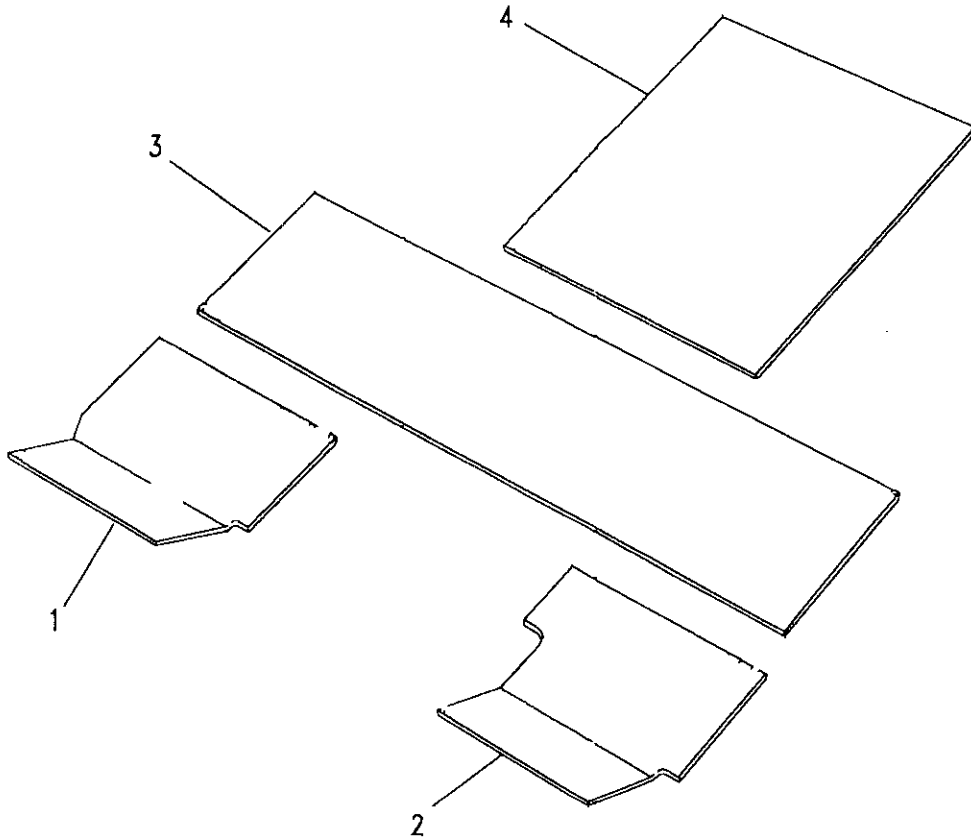
DEFENDER 110 1987 onwards

955

INTERIOR TRIM

Model DEFENDER 110 1987 onwards  
Page AFPXTA4A

TRIM - ADDITIONAL FLOOR COVERS - UPTO VIN HA467836



III. Part No.

Description

Qty Remarks

Additional floor mats

1	MUC2380	Mat front RH	1	RHS 4 cylinder
	MUC2382	Mat front RH	1	LHS 4 cylinder
	MUC4150	Mat front RH	1	RHS V8
	MUC4152	Mat front RH	1	LHS V8
2	MUC2379	Mat front LH	1	RHS 4 cylinder
	MUC2381	Mat front LH	1	LHS 4 cylinder
	MUC4149	Mat front LH	1	RHS V8
	MUC4153	Mat front LH	1	LHS V8
3	331481	Mat intermediate	1	
4	331670	Mat rear	1	





## MASTER INDEX

	PAGES
INTRODUCTION PAGES	1 - 7
ALPHABETICAL INDEX	8 - 16
ENGINE	17 - 66
ENGINE	67 - 119
ENGINE	120 - 166
ENGINE	167 - 209
ENGINE	210 - 245
ENGINE	246 - 299
GEARBOX	300 - 326
GEARBOX	327 - 344
GEARBOX	345 - 359
TRANSFER BOX	360 - 378
TRANSFER BOX	379 - 397
AXLES AND SUSPENSION	398 - 444
STEERING	445 - 471
VEHICLE AND ENGINE CONTROLS	472 - 486
BRAKES	487 - 517
FUEL SYSTEM AND AIR CLEANER	518 - 579
EXHAUST SYSTEM	580 - 593
COOLING/HEATING	594 - 637
COOLING/HEATING	638 - 641
COOLING/HEATING	642 - 649
COOLING/HEATING	650 - 655
COOLING/HEATING	656 - 666
BODY ELECTRICAL	667 - 740
BODY AND CHASSIS	741 - 909
INTERIOR TRIM	910 - 955
SEATS	956 - 1036
STOWAGE	1037 - 1046
ACCESSORIES - PAINTS	1047 - 1074
NUMERICAL INDEX	1076 - 1151

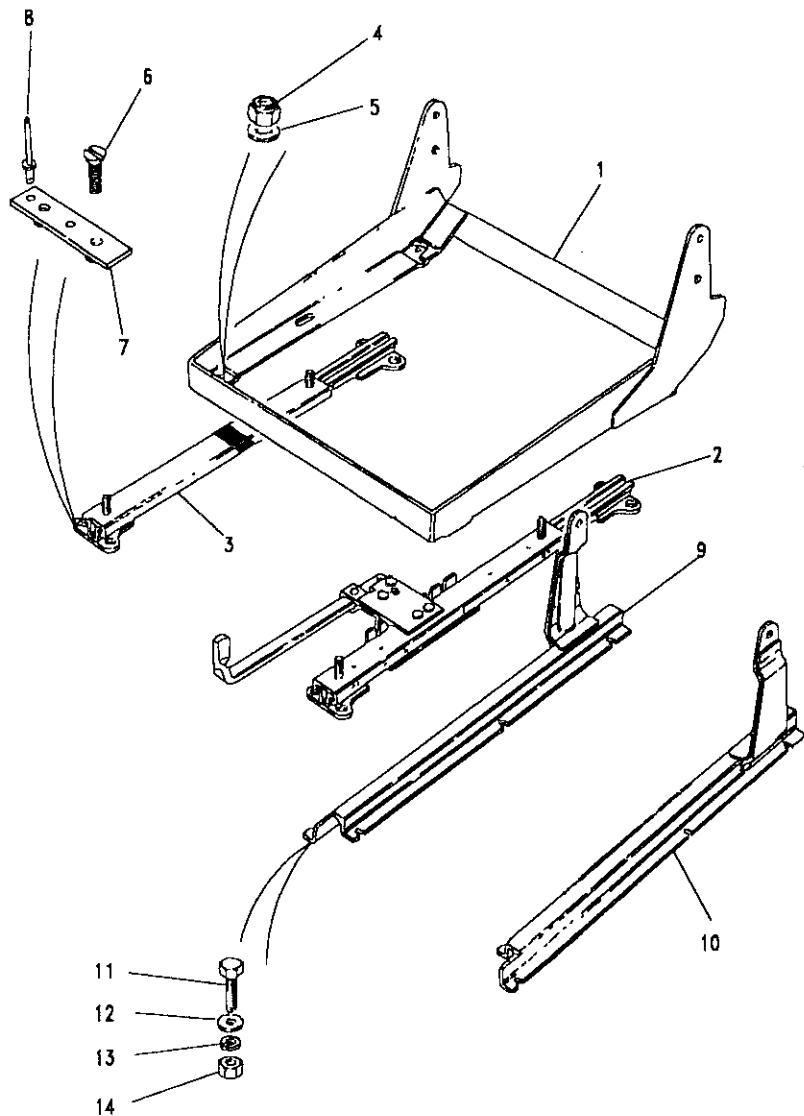
## GROUP R

## SEATS

## SEATS

SUPPORTS AND SLIDES - BASIC SEATS	957
BASIC - VINYL	958 - 962
OUTER - COUNTY - TYPE A	963 - 964
CENTRE - COUNTY - TYPE A	965 - 966
DRIVER - COUNTY - TYPE B - NOTE(1)	967 - 969
PASSENGER - COUNTY - TYPE B - NOTE(1)	970 - 972
CENTRE - COUNTY - TYPE B - NOTE(1)	973 - 974
RH/LH - COUNTY - 1988MY ONWARDS - NOTE(1)	975 - 977
CENTRE - COUNTY - 1988MY ONWARDS - NOTE(1)	978 - 979
GRAB RAIL	980
FORWARD FACING SPLIT SEAT	981 - 988
FORWARD FACING - INDIVIDUAL TYPE	989 - 992
SEAT LOCK - REAR FORWARD FACING SPLIT SEAT	993
SEAT LOCK - FORWARD FACING INDIVIDUAL SEATS	994
SQUAB LOCK - FORWARD FACING INDIVIDUAL SEATS	995 - 996
INWARD FACING - TWO SEATER BENCH TYPE	997 - 1003
INWARD FACING - THREE SEATER BENCH TYPE	1004 - 1010
INWARD FACING - INDIVIDUAL	1011 - 1014
INWARD FACING - DEFENDER 130	1015
FRONT SEAT OUTER	1016
FRONT SEAT OUTER MA939976 On	1017
FRONT SEAT OUTER	1018
FRONT SEATS OUTER	1019 - 1020
FRONT SEAT CENTRE	1021
REAR FORWARD FACING SEATS - OUTER	1022 - 1023
REAR FORWARD FACING SEATS - CENTRE	1024
REAR INWARD FACING SEATS	1025
FRONT SEATS - ANCHORAGE RAIL.	1026
FRONT SEATS - HARNESS GUIDE.	1027
FRONT SEATS - SHOULDER ANCHORAGE.	1028
FRONT SEATS - INERTIA REEL MOUNTING.	1029
FRONT SEATS - STATION WAGON	1030
FRONT SEATS - SEATBASE.	1031
FRONT SEATS - SHOULDER.	1032
FRONT SEATS - BASE ASSY.	1033
REAR FORWARD FACING SEATS	1034
CHILD SEAT BELT RETENTION	1035
REAR INWARD FACING SEATS	1036





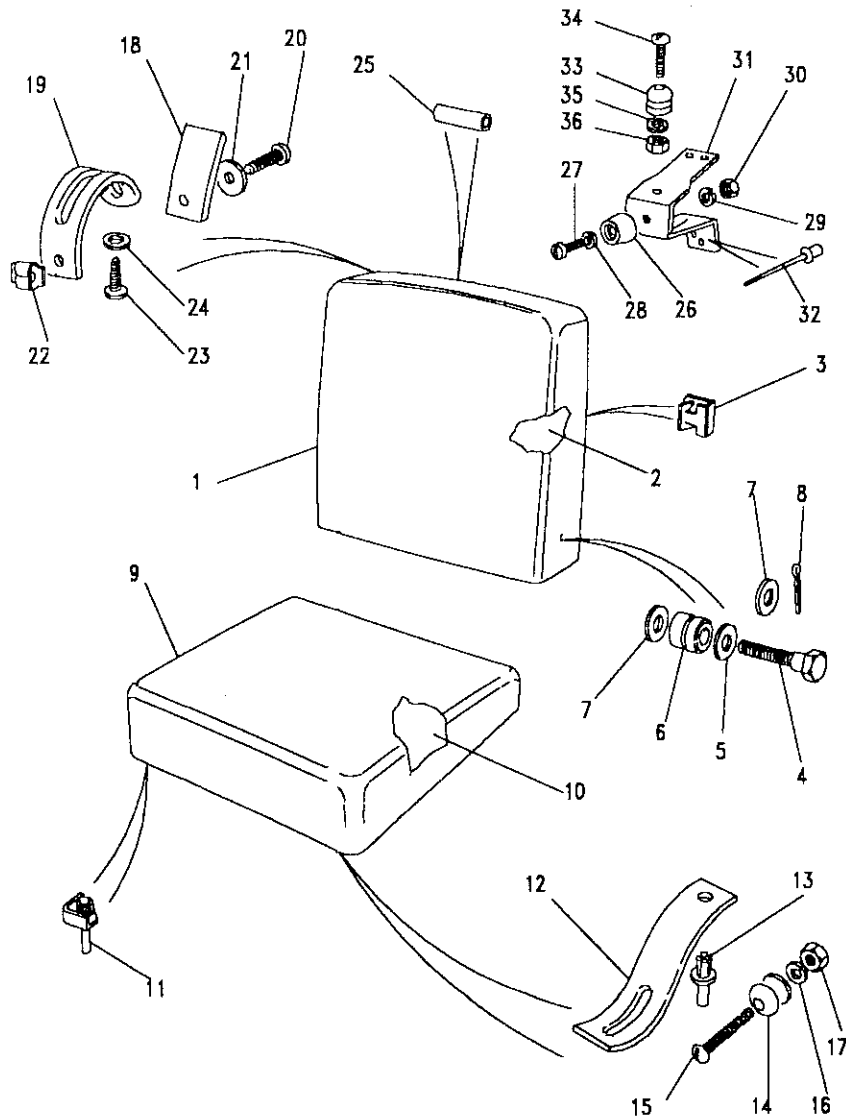
**Model** DEFENDER 110 1987 onwards  
**Page** AFRXCA1A

**FRONT SEATS - SUPPORTS AND SLIDES - BASIC SEATS**

III. Part No.	Description	Qty	Remarks
1	349996 Seat frame	2	
2	MRC9492 Seat slide RH control	1	Upto VIN 410573
	MRC9493 Seat slide LH control	1	Upto VIN 410573
	MXC3258 Seat slide RH control	2	From VIN 410574
3	MRC9481 Seat slide plain	2	Upto VIN 410573
	MXC3259 Seat slide LH plain	2	From VIN 410574
4	NT108041L Lock nut	8	
5	WF108001L Washer shakeproof 4075L	8	
		8	
6	SF106201L Screw	16	) Upto VIN 410573
7	MTC7631 Nut plate	8	
8	RU608253L Rivet	16	) Upto VIN 410573
	SA106201 Screw	8	
	MRC5525 Washer plain	8	) From VIN 410574
	WL106001L Washer spring	8	
	NH106041L Nut	8	) Upto Note(1)
9	MTC1714 Support RH centre	1	
10	MTC1715 Support LH centre	1	Upto Note(1)
11	SH106201 Screw	6	
12	MRC5525 Washer plain	12	
13	WL106001L Washer spring	6	
14	NH106041L Nut	6	

Note(1) Introduction of 1991 Model Year - Deletion of centre seat



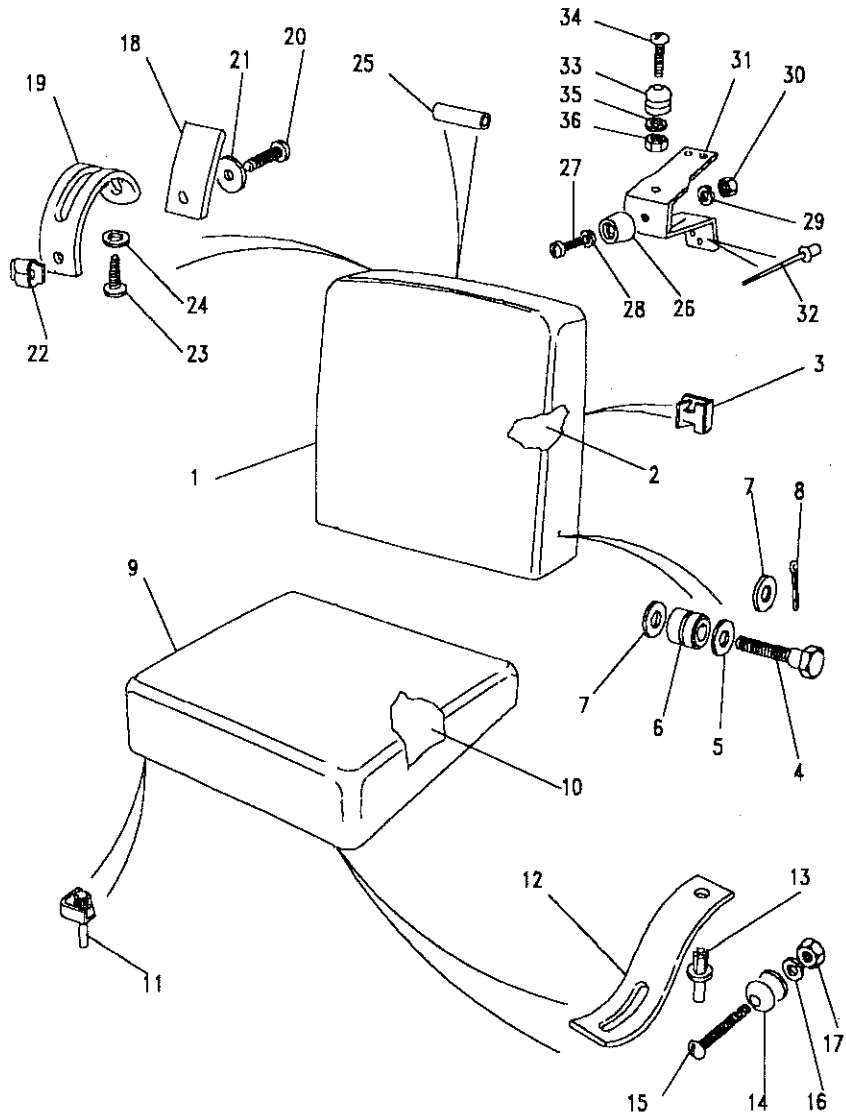


**Model** DEFENDER 110 1987 onwards  
**Page** AFRXE1A

**FRONT SEATS - BASIC - VINYL**

III. Part No.	Description	Qty	Remarks
<b>Seat squab-black - Upto Note(1)</b>			
1	MUC1520 Squab driver seat	1	
	MUC1520 Squab passenger seat	1	
	MUC1488 Squab centre seat	1	
<b>Seat squab-grey - From Note(1)</b>			
1	MWC5599LCS Squab driver seat	1	
	MWC5599LCS Squab passenger seat	1	
	MWC5607LCS Squab centre seat	1	Upto Note(2)
2	337873 Interior driver squab	1	
	337873 Interior passenger squab	1	
	337880 Interior centre squab	1	
3	RTC3764 Clip trim	24	Upto Note(2)
	RTC3764 Clip trim	16	From Note(2)
<b>Fixings - Driver and passenger squab</b>			
4	331709 Bolt	8	
5	WC108051L Washer plain	8	
6	345213 Washer rubber	4	
7	349931 Washer plastic	4	



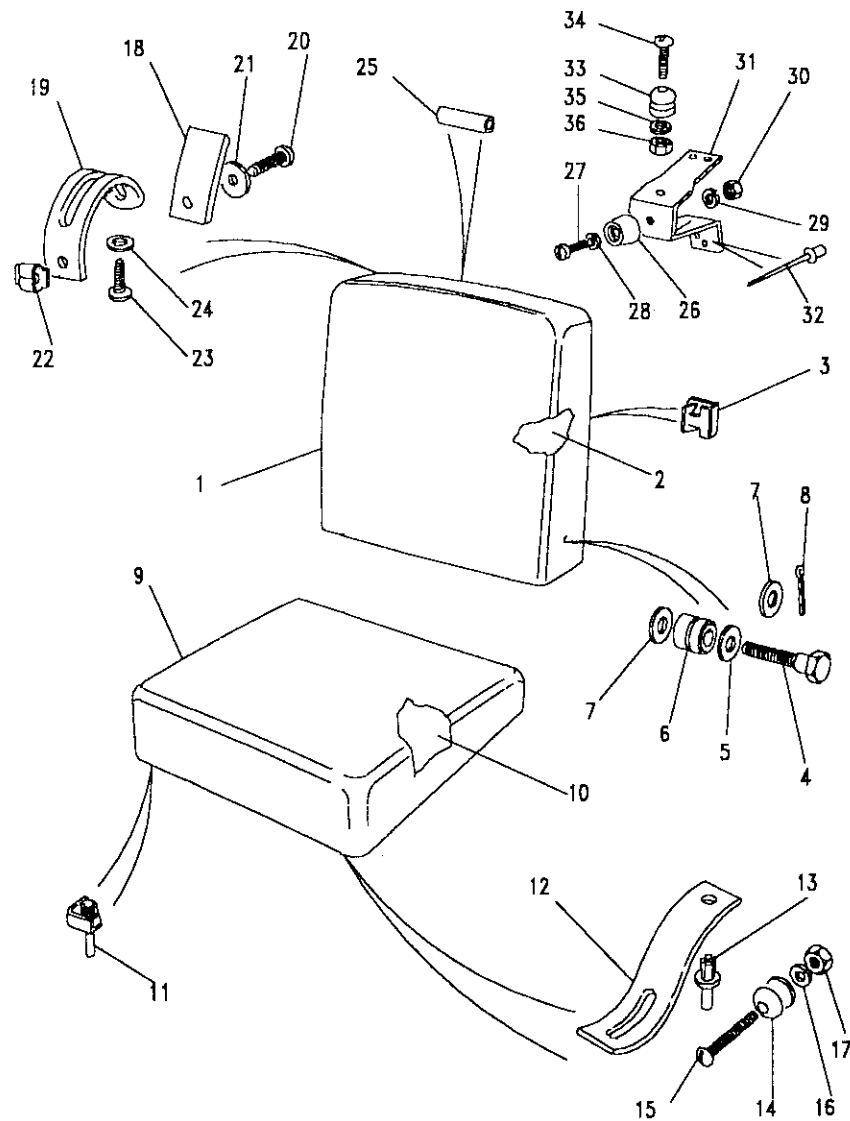


**Model** DEFENDER 110 1987 onwards  
**Page** AFRXE1A

**FRONT SEATS - BASIC - VINYL**

III. Part No.	Description	Qty	Remarks
<b>Fixings - Centre squab</b>			
7 349931	Washer plastic	2	
8 RTC614	Pin split	2	
349997	Stop seat squab	4	
SP604061	Screw	4	
WE600041L	Shakeproof Washer	4	
349998	Strip edging seat frame	4	
<b>Seat cushion-black - Upto Note(1)</b>			
9 320699	Cushion driver seat	1	
320699	Cushion passenger seat	1	
320726	Cushion centre seat	1	
<b>Seat cushion-grey - From Note(1)</b>			
9 MWC5573LCS	Cushion driver seat	1	
MWC5573LCS	Cushion passenger seat	1	
MWC5613LCS	Cushion centre seat	1	Upto Note(2)
10 337899	Interior driver cushion	1	
337899	Interior passgr cushion	1	
337859	Interior centre cushion	1	





Model DEFENDER 110 1987 onwards

Page AFRXE1A

FRONT SEATS - BASIC - VINYL

III. Part No.	Description	Qty	Remarks
11 349943	Capping corner	12	Upto Note(2)
349943	Capping corner	8	From Note(2)
12 331974	Strap centre cushion	1	
13 RTC3755	Rivet plastic	1	
14 348430	Stud	1	
15 SE105251	Screw	1	
16 WL105001	Washer spring	1	
17 NH105041	Nut	1	

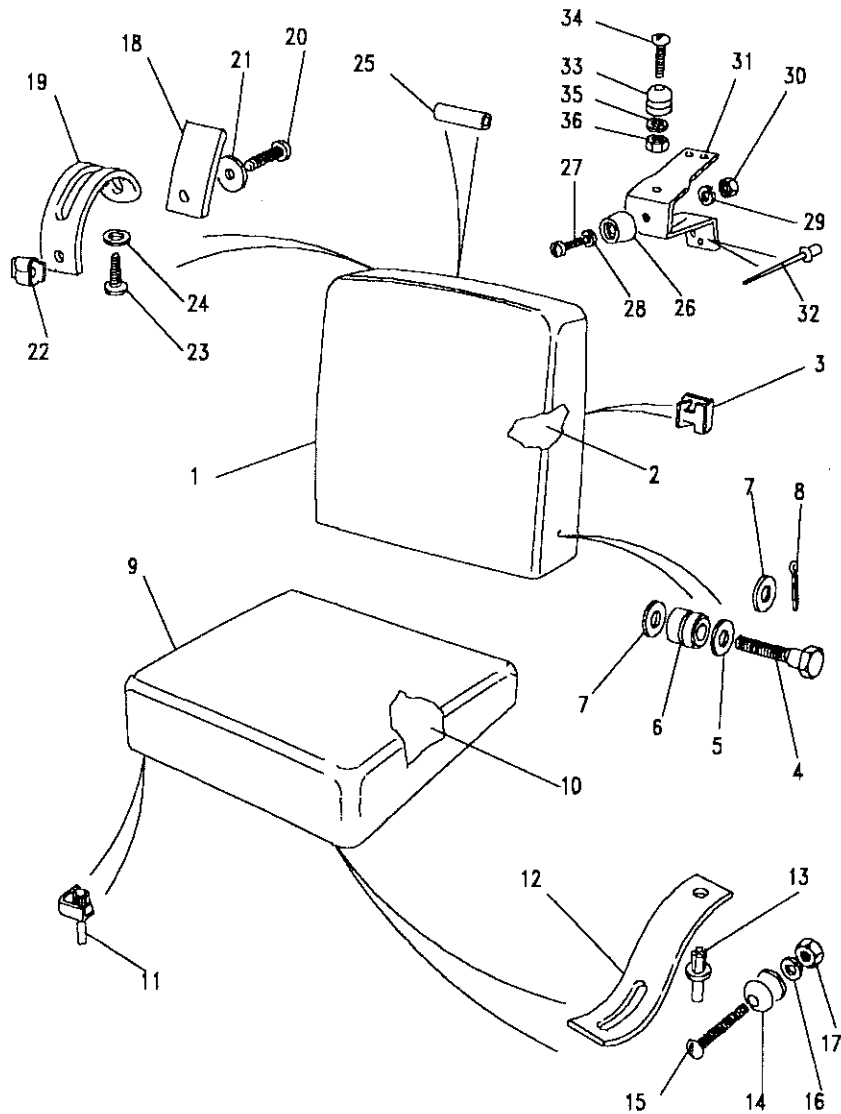
Fixings - Driver/Passenger squab - Station Wagon

18 339986	Packing rubber	4	
20 AB610081	Screw	4	
21 WJ105001	Washer plain	4	
22 78237	Nut spire	4	

Fixings - Centre squab - Station Wagon

18 347869	Packing rubber	1	
19 332355	Strap	1	
20 AB610061L	Screw	1	
21 WJ105001	Washer plain	2	
22 78237	Nut spire	2	





Model DEFENDER 110 1987 onwards  
 Page AFRXE1A

**FRONT SEATS - BASIC - VINYL**

III. Part No.	Description	Qty	Remarks
<b>Centr squab strap to grab rail - Station Wagon</b>			
23 AB606041L	Screw	1	
24 AFU1247	Washer plain	1	
<b>Fixings - Centre squab - Pick Up</b>			
19 331273	Strap	2	
20 AB610061L	Screw	2	
21 WJ105001	Washer plain	2	
22 78237	Nut spire	2	
25 346410	Tube	3	
26 304125	Buffer rubber	2	
27 SE105251	Screw	2	
28 WC702101	Washer plain	2	
29 WE702101	Washer shakeproof	2	
30 NH105041	Nut	2	
31 347553	Bracket squab buffer	2	Upto Note(2)
32 RU612373L	Rivet	8	Upto Note(2)



Model DEFENDER 110 1987 onwards  
Page AFRXEA1A

FRONT SEATS - BASIC - VINYL

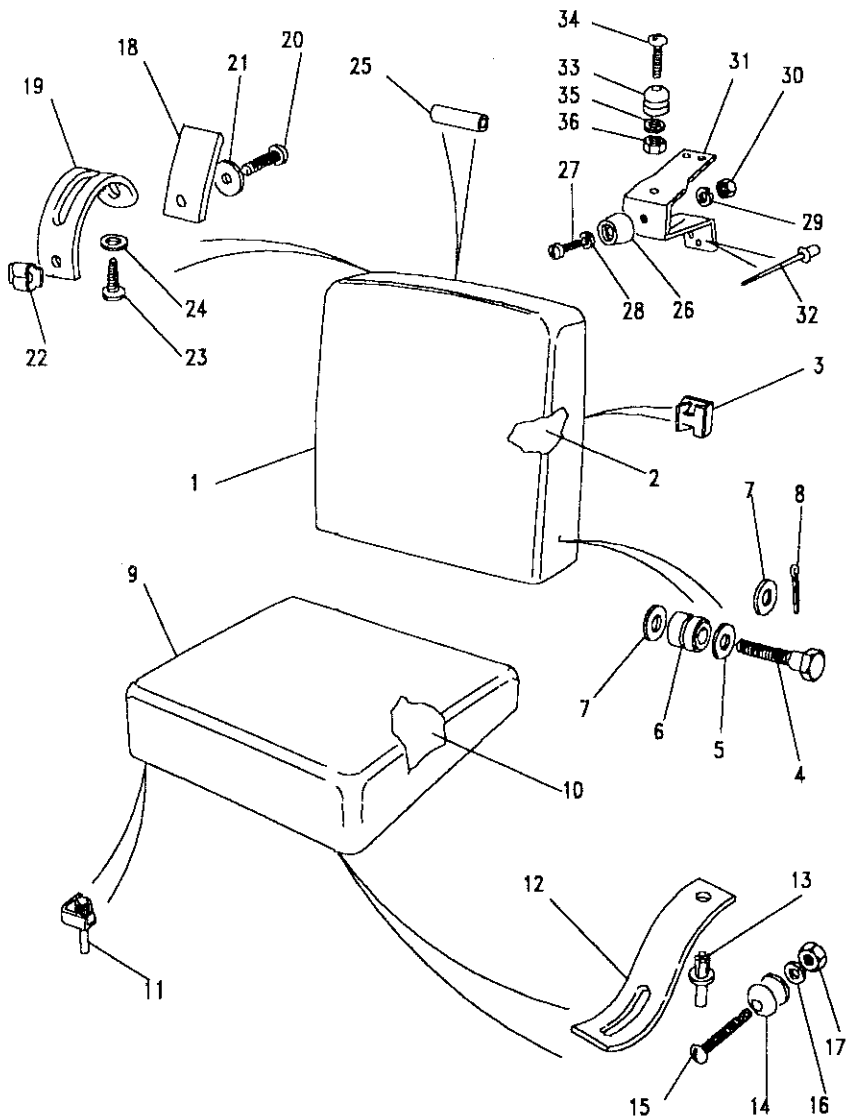
III. Part No. Description Qty Remarks

Pick Up

33	348430	Stud	2
34	SE105251	Screw	2
35	WL105001	Washer spring	2
36	NH105041	Nut	2

Note(1) Introduction of 1988 Model Year - Regular VIN EA314292, Station Wagon VIN EA314268

Note(2) Introduction of 1991 Model Year - Deletion of centre seat

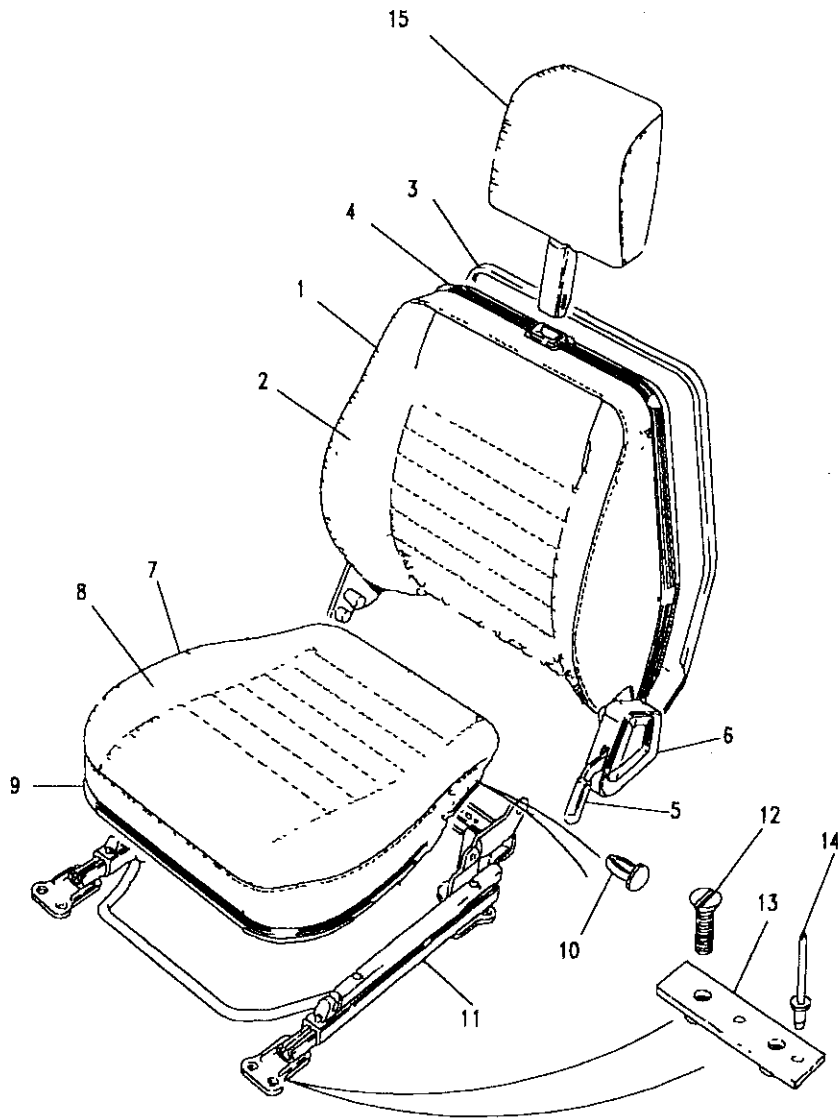




DEFENDER 110 1987 onwards

963

SEATS



Model DEFENDER 110 1987 onwards

Page AFRXEA2A

**FRONT SEATS - OUTER - COUNTY - TYPE A**

III. Part No.	Description	Qty	Remarks
<b>Front seat outer - Brushwood/Berber cloth</b>			
MTC1674RD	Seat assembly RH	1	Upto VIN 278331 No longer available
MTC1675RD	Seat assembly LH	1	Upto VIN 278331 No longer available
<b>Front seat outer - Black vinyl</b>			
MTC1670	Seat assembly RH	1	Upto VIN 277447 No longer available
MTC1671	Seat assembly LH	1	Upto VIN 277447 No longer available
1	MUC8448RD	1	Squab RH cloth
	MUC8449RD	1	Squab LH cloth
	MWC3302	1	Squab RH vinyl
	MWC3303	1	Squab LH vinyl
2	MTC1933RD	2	Cover squab cloth
	MWC4535	2	Cover squab vinyl
3	STC354AV	2	Panel back-brushwood
	STC354PB	2	Panel back-black
4	MTC9956	4	Trim locking
5	MUC8754	2	Knob-Black

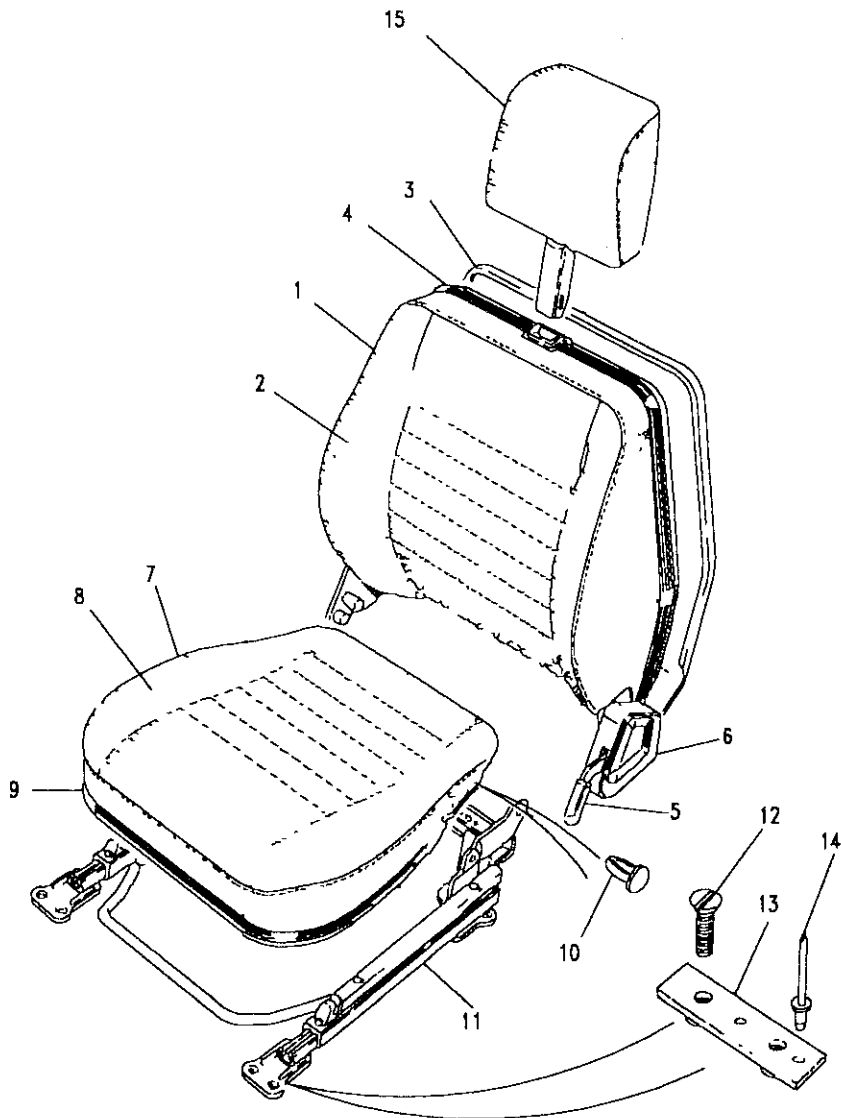




Model DEFENDER 110 1987 onwards

Page AFRXEA2A

FRONT SEATS - OUTER - COUNTY - TYPE A



III. Part No.	Description	Qty	Remarks
6	RTC3108	1	Cover mechanism LH
	RTC3107	1	Cover mechanism RH
7	MUC8780RD	2	Cushion cloth
	MWC4535	2	Cushion vinyl
8	MTC1932RD	2	Cover cushion cloth
	MWC4534	2	Cover cushion vinyl
9	MTC9967	2	Trim locking
10	MTC9962	12	Trim nail
	RTC4102	2	Retaining rod assy
11	MXC5778	1	Subframe & slide RH
	MXC5779	1	Subframe & slide LH
	MWC4537	2	Bracket stop RH seat
12	SF106201L	16	Screw
13	MTC7631	8	Nut plate
14	RU608253L	16	Rivet
15	MWC1018RD	2	Head restraint cloth
	MWC1010	2	Head restraint vinyl

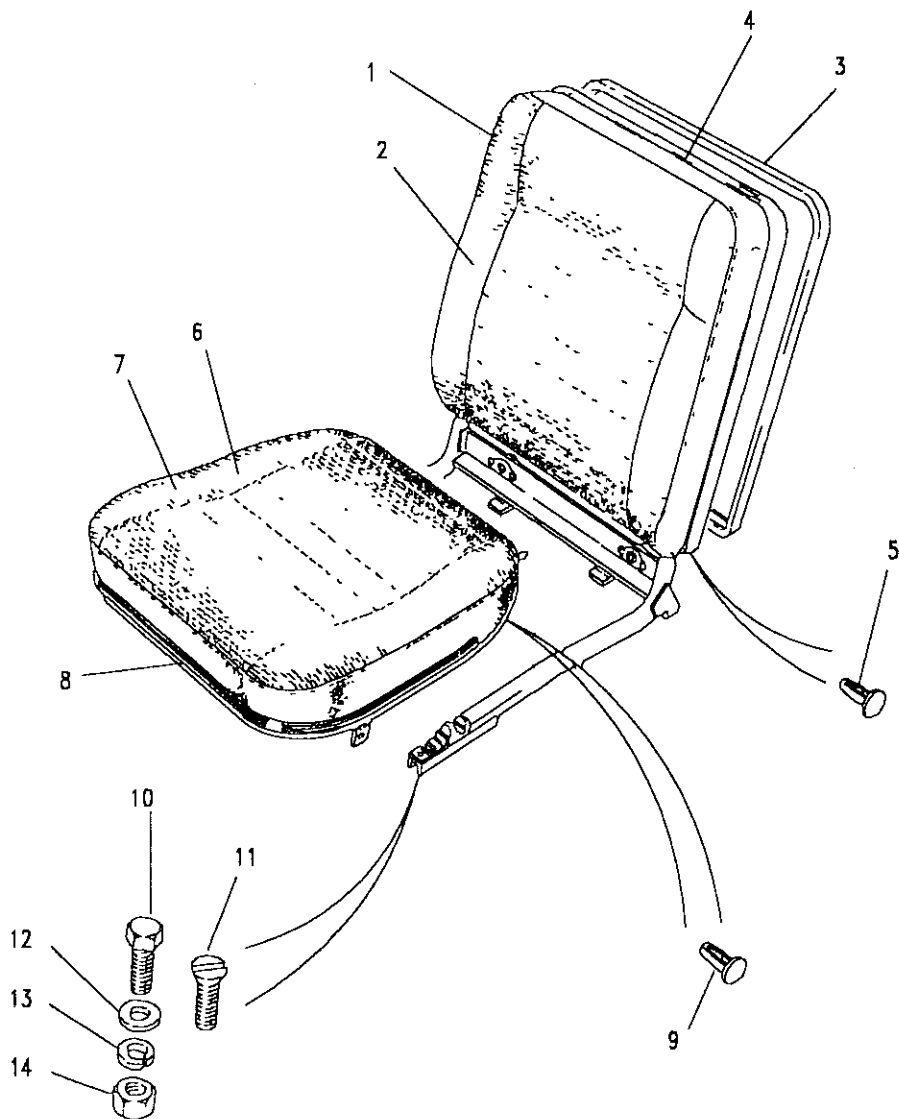




Model DEFENDER 110 1987 onwards  
Page AFRXEA3A

**FRONT SEATS - CENTRE - COUNTY - TYPE A**

Ill. Part No.	Description	Qty	Remarks
<b>Front seat centre - Brushwood/Berber cloth</b>			
MTC1673RD	Seat assembly centre	1	Upto VIN 278331 NLA use MUC8432RD
<b>Front seat centre - Black vinyl</b>			
MTC1672	Seat assembly centre	1	Upto VIN 278331 NLA use MWC4548 NLA-use MUC8450RD
1	MTC1948RD MUC8447	1	Squab cloth Squab vinyl
2	MTC1950RD MTC1944	1	Cover squab cloth Cover squab vinyl
3	STC355AV STC355PB	1	Panel back Brushwood Panel back Black
4	MTC9958	1	Trim locking
5	MTC9962	2	Trim nail

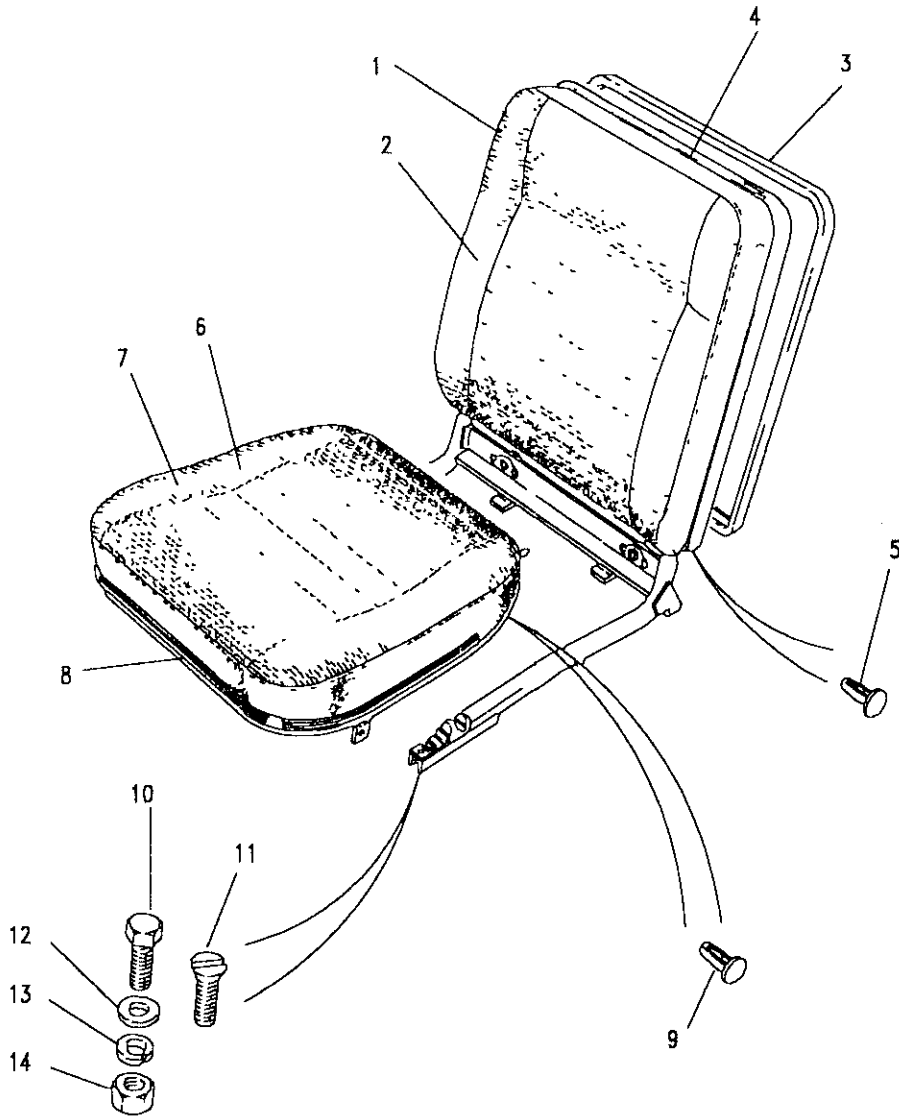




Model DEFENDER 110 1987 onwards  
 Page AFRXE3A

FRONT SEATS - CENTRE - COUNTY - TYPE A

III. Part No.	Description	Qty	Remarks
6	MUC8779RD Cushion cloth	1	
	MWC4549 Cushion vinyl	1	
7	MTC1949RD Cover cushion cloth	1	
	MTC1943 Cover cushion vinyl	1	
8	MTC9959 Trim locking	1	
9	MTC9962 Trim nail	4	
10	BH106071 Bolt	2	Front
11	SF106201L Screw	2	Rear
12	MRC5525 Washer plain	4	
13	WL106001L Washer spring	4	
14	NH106041L Nut	4	





Model DEFENDER 110 1987 onwards  
Page AFRXEA4A

FRONT SEATS - DRIVER - COUNTY - TYPE B - NOTE(1)

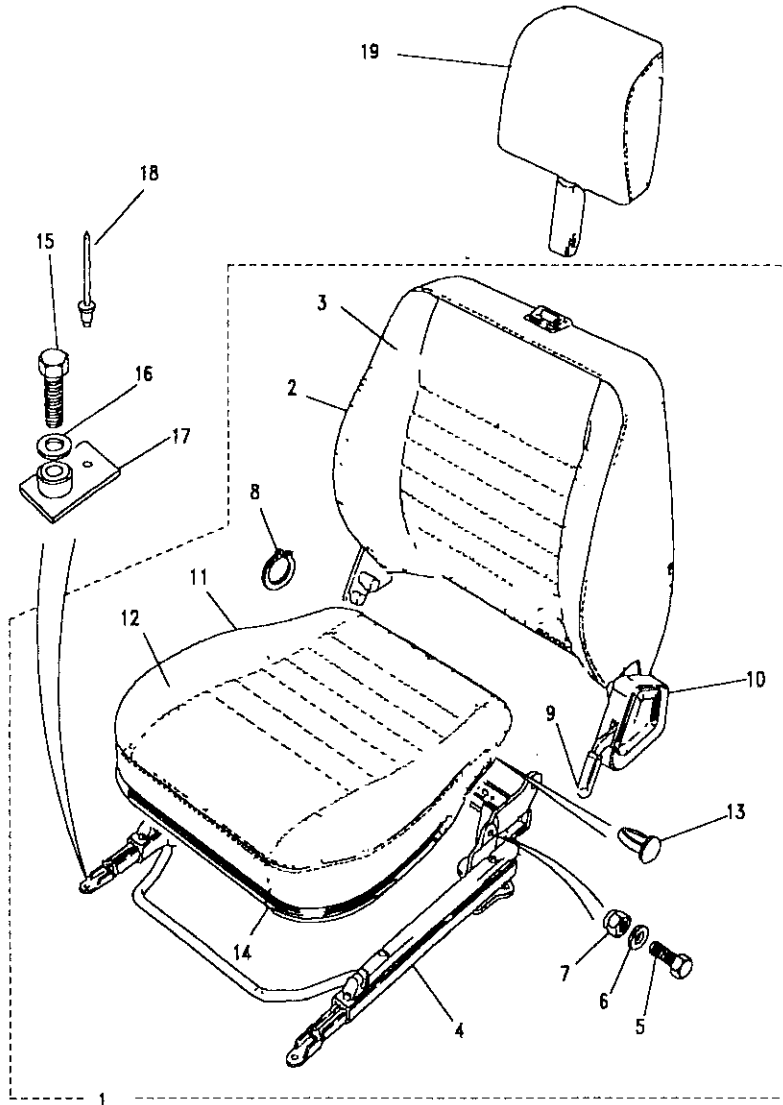
III. Part No. Description Qty Remarks

Drivers seat assy - Brushwood/Berber cloth

1	MUC8428RD	Seat assy RHS	1	From VIN 278331
	MUC8429RD	Seat assy LHS	1	From VIN 278331

Drivers seat assy - Black vinyl

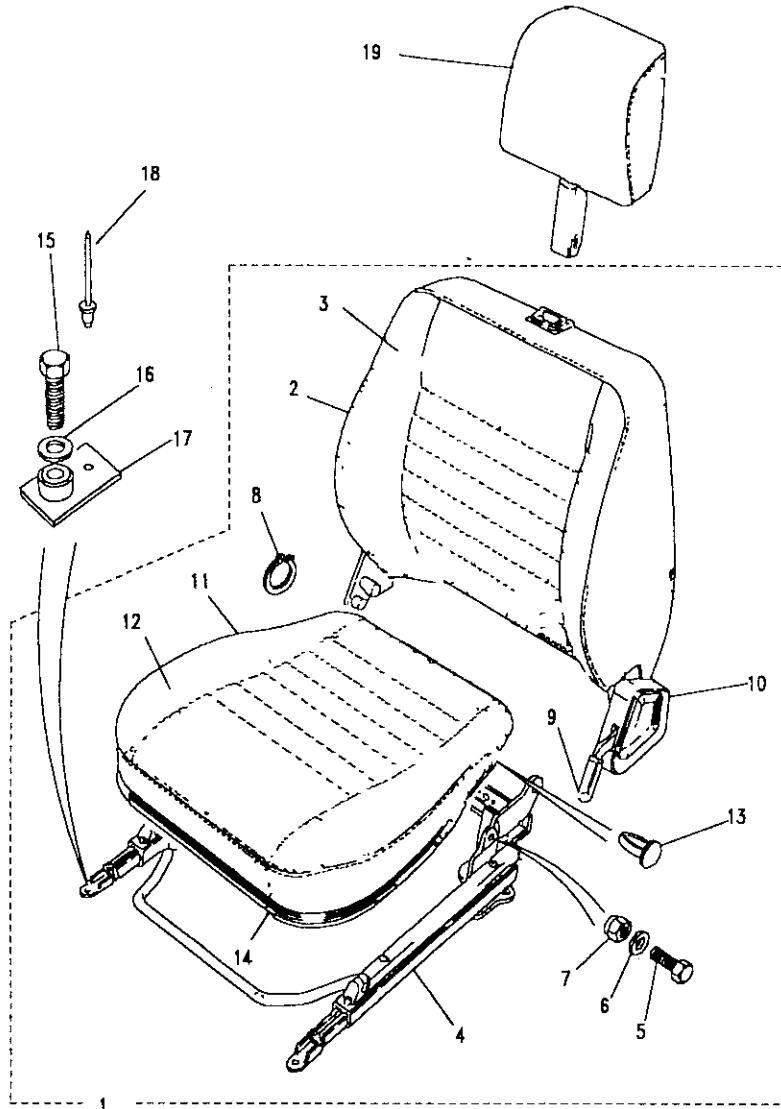
1	MWC3306	Seat assy RHS	1	From VIN 277447
	MWC3307	Seat assy LHS	1	From VIN 277447
2	MUC8448RD	Squab RHS cloth	1	
	MUC8449RD	Squab LHS cloth	1	
	MWC3302	Squab RHS vinyl	1	
	MWC3303	Squab LHS vinyl	1	
3	MUC8409RD	Cover squab cloth	1	
	MUC8414	Cover squab vinyl	1	
4	MXC5778	Subframe & slide RHS	1	
	MXC5779	Subframe & slide LHS	1	
	MWC4536	Bracket stop	2	RHS only





**Model** DEFENDER 110 1987 onwards  
**Page** AFRXEA4A

**FRONT SEATS - DRIVER - COUNTY - TYPE B - NOTE(1)**



III. Part No.	Description	Qty	Remarks
5	SH108151	2	Screw
6	WA108041	2	Washer plain
7	NY108041L	2	Nut
8	CR120205	1	Circlip
9	MUC8754	1	Knob recline lever
10	MUC7636	1	Cover mechanism RHS
	MWC7635	1	Cover mechanism LHS
11	MUC8780RD	1	Cushion cloth
	MWC4535	1	Cushion vinyl
12	MTC1932RD	1	Cover cushion cloth
	MWC4534	1	Cover cushion vinyl
13	MTC9962	4	Trim nail
14	MTC9967	1	Trim locking

**Fixings - When centre seat not fitted**

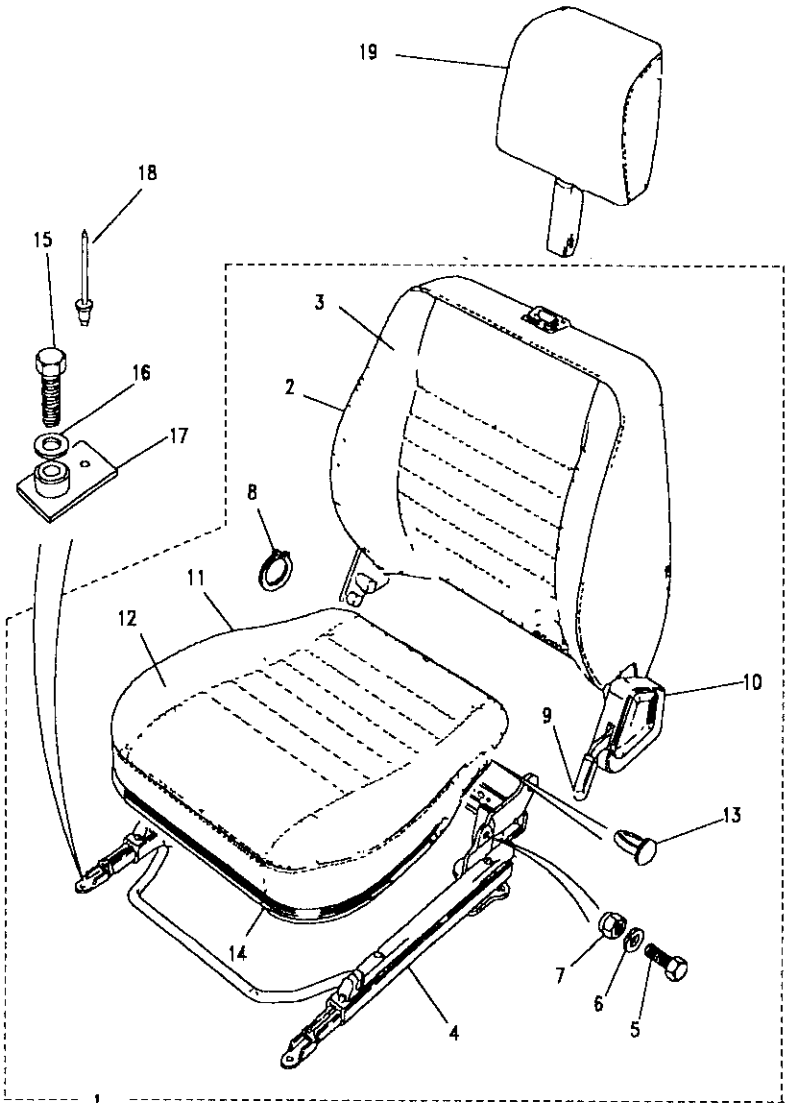
15	FS108251L	4	Screw
16	WA108051L	4	Washer plain
	4075L	4	Spacer
17	MUC7947	4	Bush and plate
18	RU608313L	4	Rivet

**Model** DEFENDER 110 1987 onwards  
**Page** AFRXE4A

**FRONT SEATS - DRIVER - COUNTY - TYPE B - NOTE(1)**

III. Part No.	Description	Qty	Remarks
<b>Fixings - When centre seat is fitted</b>			
FS108251L	Screw	4	
WA108051L	Plain Washer	5	
4075L	Spacer	4	
MUC7947	Bush and Plate	3	
RU608313L	Rivet	3	
FN108041L	Nut	1	
19 MWC1018RD	Head restraint cloth	1	
MWC1010	Head Restraint vinyl	1	

Note(1) Upto introduction of 1988 Model Year  
 Note(2) Drivers seats are adjustable and have recline mechanism

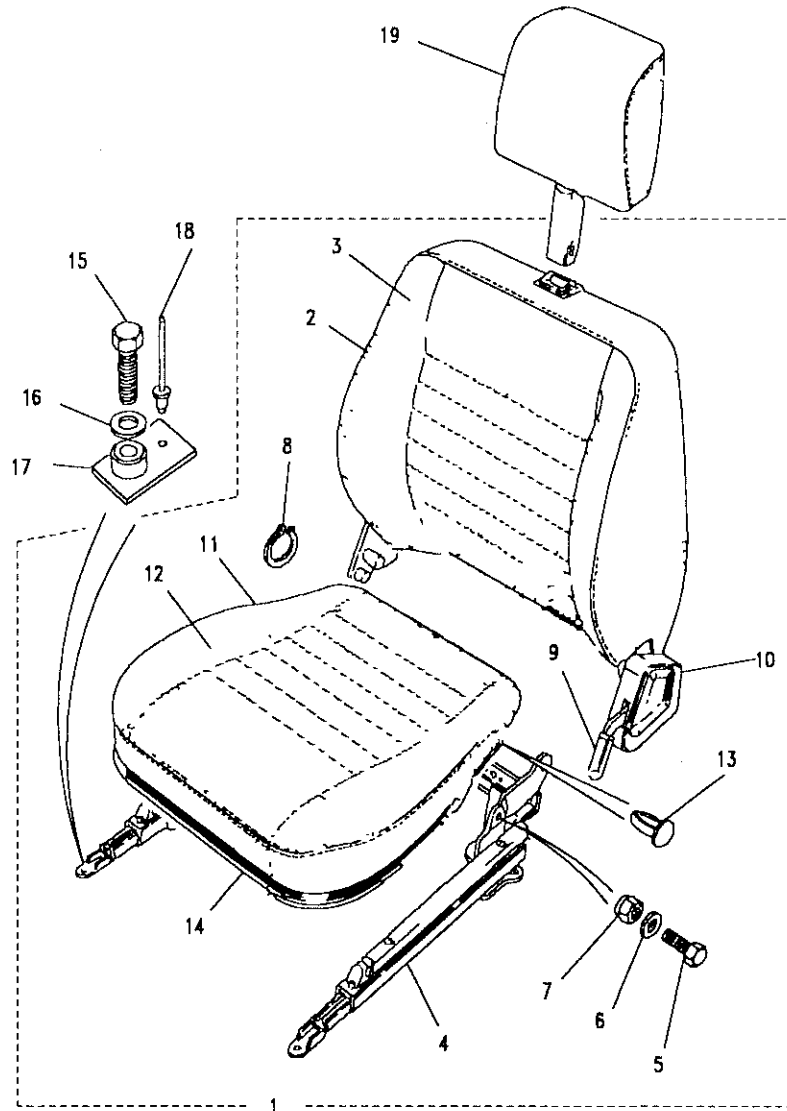




DEFENDER 110 1987 onwards

970

SEATS



**Model** DEFENDER 110 1987 onwards  
**Page** AFRXE5A

**FRONT SEATS - PASSENGER - COUNTY - TYPE B - NOTE(1)**

III. Part No.	Description	Qty	Remarks
<b>Passenger seat assy - Brushwood/Berber cloth</b>			
1 MUC8430RD	Seat assy RHS	1	From VIN 278331
MUC8431RD	Seat assy LHS	1	From VIN 278331
<b>Passenger seat assy - Black vinyl</b>			
1 MWC3301	Seat assy	1	From VIN 277447 NLA Use MWC3307
2 MUC8449RD	Squab RHS cloth	1	
MUC8448RD	Squab LHS cloth	1	
2 MWC3305	Squab and frame vinyl	1	
3 MUC8409RD	Cover squab cloth	1	
MUC8414	Cover squab vinyl	1	
4 MUC8439	Subframe-RHS	1	)
MUC8438	Subframe-LHS	1	)
5 SH108151	Screw	2	)
6 WA108041	Washer plain	2	)cloth seat only
7 NY108041L	Nut	2	)
8 CR120205	Circlip	1	)
9 MUC8754	Knob recline lever	1	)





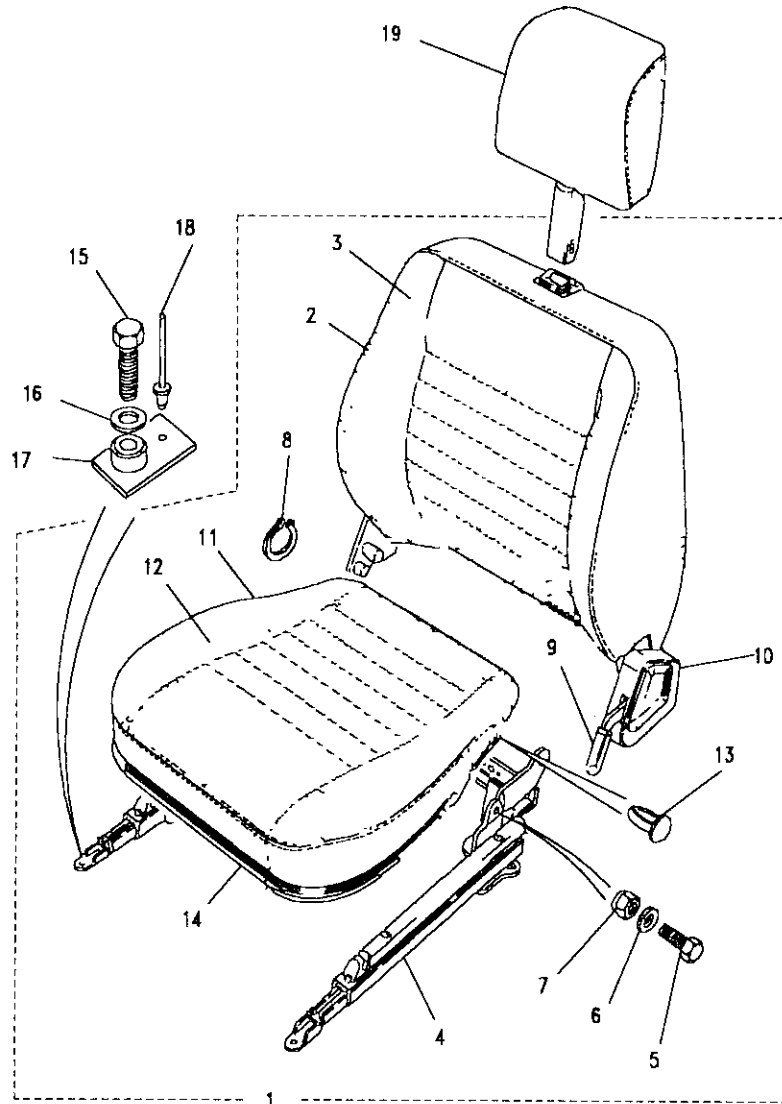
DEFENDER 110 1987 onwards

971

SEATS

**Model** DEFENDER 110 1987 onwards  
**Page** AFRXE5A

**FRONT SEATS - PASSENGER - COUNTY - TYPE B - NOTE(1)**



III. Part No.	Description	Qty	Remarks
10	MWC7635	1	Cover mechanism-RHS
	MWC7636	1	Cover mechanism-LHS
11	MUC8780RD	1	Cushion cloth
	MWC4535	1	Cushion vinyl
12	MTC1932RD	1	Cover cushion cloth
	MWC4534	1	Cover cushion vinyl
13	MTC9962	4	Trim nail
14	MTC9967	1	Trim locking

**Fixings - When centre seat not fitted**

15	FS108251L	4	Screw
16	WA108051L	4	Washer plain
	4075L	4	Spacer
17	MUC7947	4	Bush and plate
18	RU608313L	4	Rivet



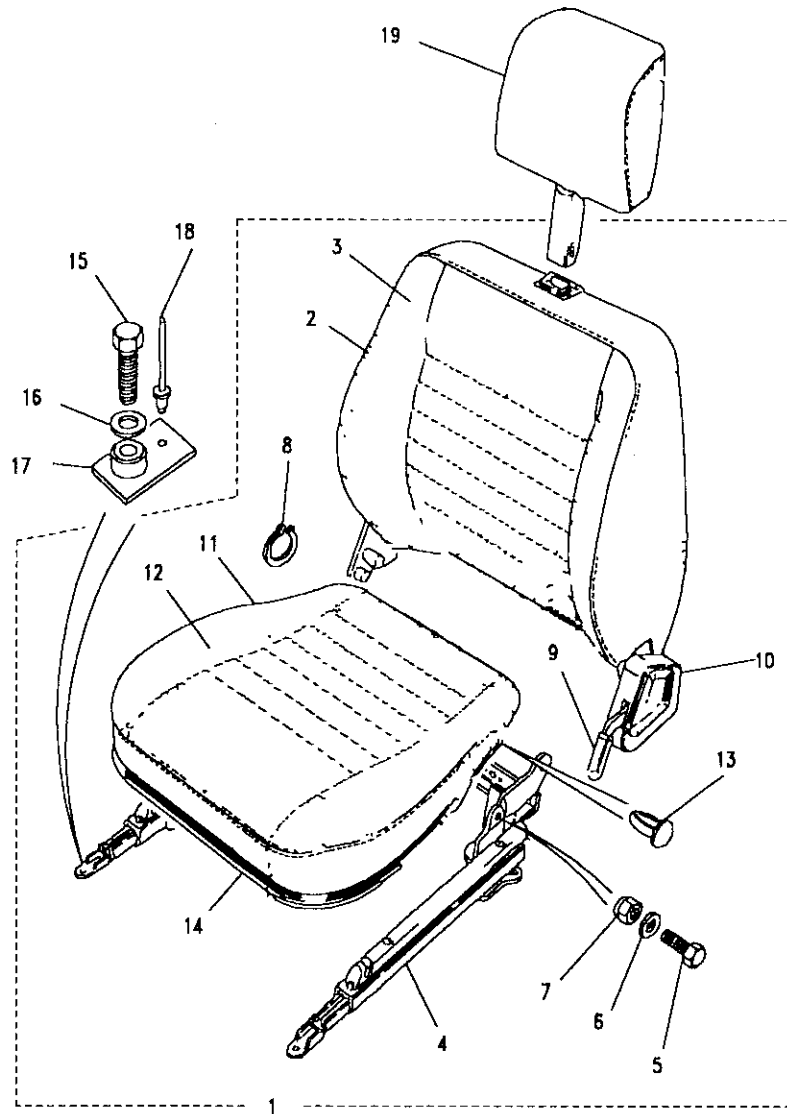


**Model** DEFENDER 110 1987 onwards  
**Page** AFRXE5A

**FRONT SEATS - PASSENGER - COUNTY - TYPE B - NOTE(1)**

III. Part No.	Description	Qty	Remarks
<b>fixings - When centre seat is fitted</b>			
FS108251L	Screw	4	
WA108051L	Washer plain	5	
4075L	Spacer	4	
MUC7947	Bush And plate	3	
RU608313L	Rivet	3	
FN108041L	Nut	1	
19 MWC1018RD	Head restraint cloth	1	
MWC1010	Head restraint vinyl	1	

Note(1) Upto introduction of 1988 Model Year  
 Note(2) Cloth seat is not adjustable but has recline mechanism  
 Note(3) Vinyl seat is not adjustable and non recline

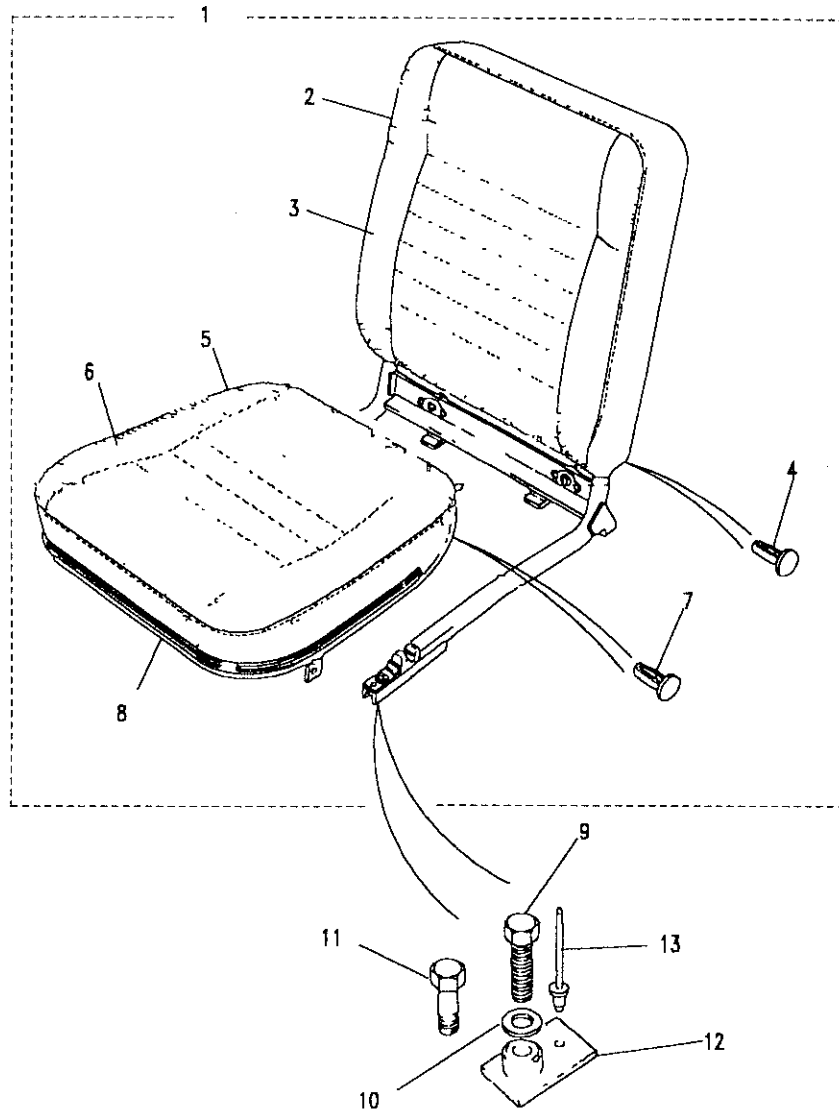




DEFENDER 110 1987 onwards

973

SEATS

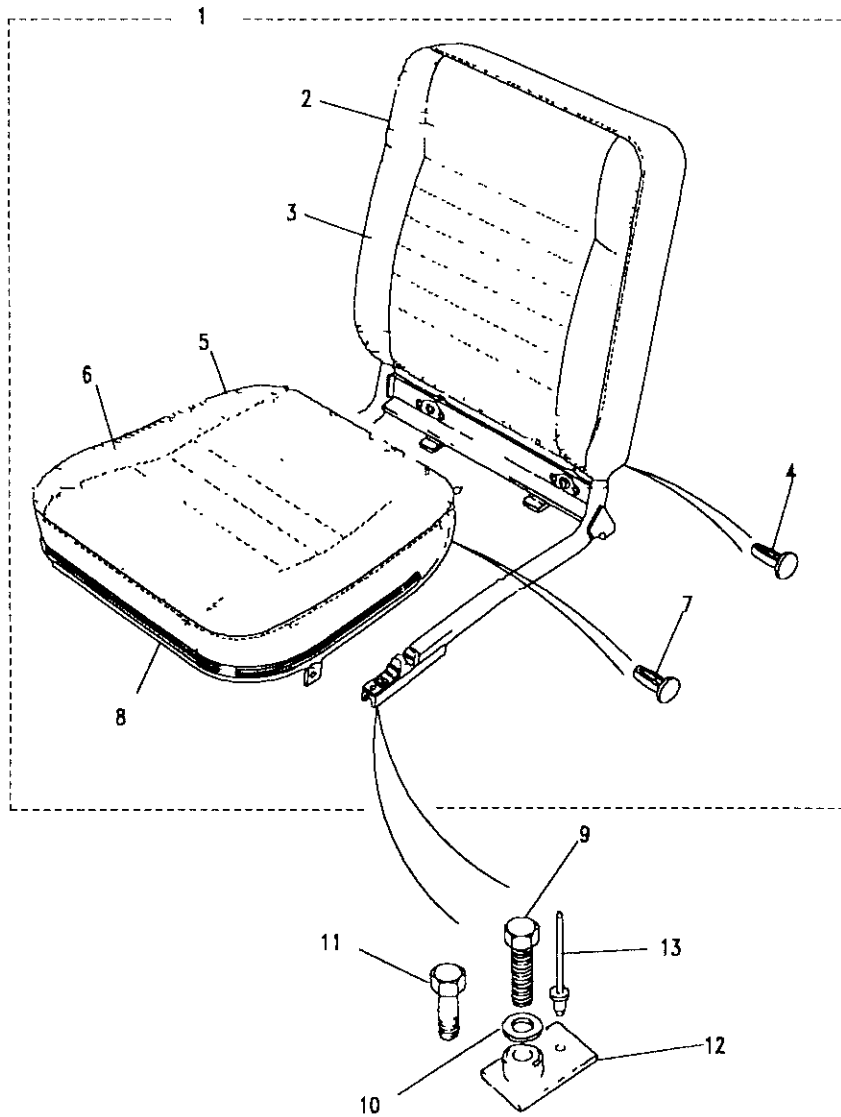


**Model** DEFENDER 110 1987 onwards  
**Page** AFRXEA6A

**FRONT SEATS - CENTRE - COUNTY - TYPE B - NOTE(1)**

III. Part No.	Description	Qty	Remarks
<b>Centre seat assy - Brushwood/Berber cloth</b>			
1 MUC8432RD	Seat assembly centre	1	From VIN 278331
<b>Centre seat assy - Black vinyl</b>			
1 MWC4548	Seat assembly centre	1	From VIN 278331
2 MUC8450RD	Squab cloth	1	
MUC8447	Squab vinyl	1	
3 MUC8411RD	Cover squab cloth	1	
MUC8412	Cover squab vinyl	1	
4 MTC9962	Trim nail	4	
5 MUC8779RD	Cushion cloth	1	
MWC4549	Cushion vinyl	1	
6 MTC1949RD	Cover cushion cloth	1	
MWC4950	Cover cushion vinyl	1	
7 MTC9962	Trim nail	4	
8 MTC9959	Trim locking	1	





Model DEFENDER 110 1987 onwards

Page AFRXEA6A

FRONT SEATS - CENTRE - COUNTY - TYPE B - NOTE(1)

III. Part No.	Description	Qty	Remarks
9	FS108251L Screw	2	Rear
10	WC108051L Washer plain	4	
11	FS108301L Bolt	2	Front
12	MUC7947 Bush and plate	2	Front
13	RU608313L Rivet	2	
	FN108041L Nut	2	Rear

Note(1) Upto introduction of 1988 Model Year





**Model** DEFENDER 110 1987 onwards  
**Page** AFRXE7A

**FRONT SEATS - RH/LH - COUNTY - 1988MY ONWARDS - NOTE(1)**

**III. Part No. Description Qty Remarks**

**Seat assy - Blue Grey/Grey cloth**

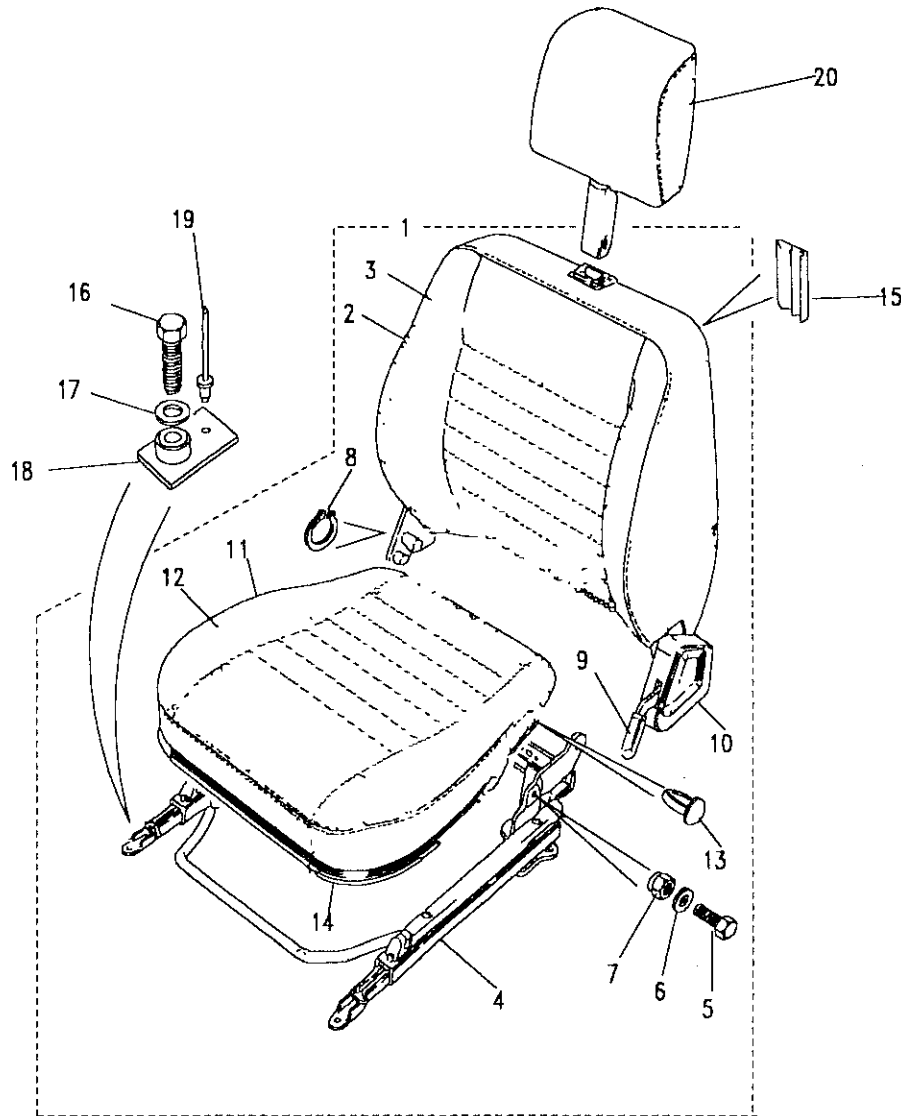
1	MWC5630RCF	Seat assembly RH	1	Upto Note(2)
	MWC5676RCF	Seat assembly LH	1	Upto Note(2)
	MWC8944RCF	Seat assembly RH	1	From Note(2) Upto VIN 455645
	MWC8945RCF	Seat assembly LH	1	From Note(2) Upto VIN 455645

**Seat assy - Moorland/Grey cloth**

1	MXC3254RUY	Seat assembly RH	1	From VIN HA455646
	MXC3255RUY	Seat assembly LH	1	From VIN HA455646
	BTR1764RUY	Seat assembly RH	1	Note(3) From VIN JA906601
	BTR1765RUY	Seat assembly LH	1	Note(3) From VIN JA906601

**Seat assy - Grey vinyl**

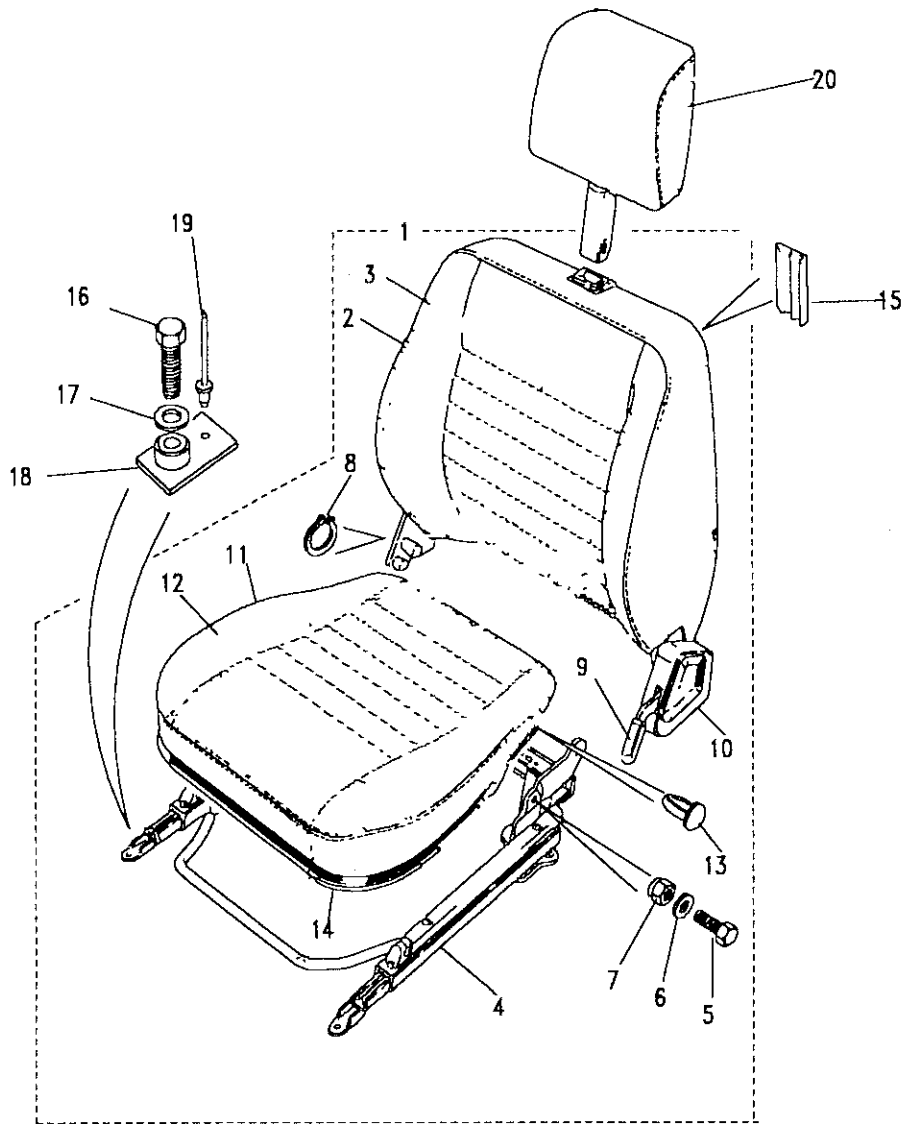
1	MWC5667LCS	Seat assembly RH	1	Upto Note(2)
	MWC5674LCS	Seat assembly LH	1	Upto Note(2)
	MWC8946LCS	Seat assembly RH	1	From Note(2) Upto VIN 456099
	MWC8947LCS	Seat assembly LH	1	From Note(2) Upto VIN 456099
	MXC3256LCS	Seat assembly RH	1	From VIN HA456100
	MXC3257LCS	Seat assembly LH	1	From VIN HA456100
	BTR1766LCS	Seat assembly RH	1	Note(3) From VIN JA906583
	BTR1767LCS	Seat assembly LH	1	Note(3) From VIN JA906583
2	MWC5677RCF	Squab RH cloth	1	Upto Note(2)
	MWC5679RCF	Squab LH cloth	1	Upto Note(2)
	MWC9842RCF	Squab RH cloth	1	From Note(2) Upto VIN 455645
	MWC9841RCF	Squab LH cloth	1	From Note(2) Upto VIN 455645
	MWC9842RUY	Squab RH cloth	1	From VIN HA455646





Model DEFENDER 110 1987 onwards  
 Page AFRXE7A

FRONT SEATS - RH/LH - COUNTY - 1988MY ONWARDS - NOTE(1)



III. Part No.	Description	Qty	Remarks
MWC9841RUY	Squab LH cloth	1	From VIN HA455646
BTR1760RUY	Squab RH cloth	1	Note(3)
			From VIN JA906601
BTR1761RUY	Squab LH cloth	1	Note(3)
			From VIN JA906601
MWC5668LCS	Squab RH vinyl	1	Upto Note(2)
MWC5675LCS	Squab LH vinyl	1	Upto Note(2)
MWC9844LCS	Squab RH vinyl	1	From Note(2)
MWC9843LCS	Squab LH vinyl	1	From Note(2)
BTR1762LCS	Squab RH vinyl	1	Note(3)
			From VIN JA906583
BTR1763LCS	Squab LH vinyl	1	Note(3)
			From VIN JA906583
3 MWC5632RCF	Cover squab cloth	2	Upto Note(2)
MWC8942RCF	Cover squab cloth	2	)From Note(2)
			)Upto VIN 455645
MWC8942RUY	Cover squab cloth	2	From VIN HA455646
BTR1758RUY	Cover squab cloth	2	Note(3)
			From VIN JA906601
MWC5669LCS	Cover squab vinyl	2	Upto Note(2)
MWC8943LCS	Cover squab vinyl	2	From Note(2)
BTR1759LCS	Cover squab vinyl	2	Note(3)
			From VIN JA906583
4 MXC5778	Subframe & slide RH	1	
MXC5779	Subframe & slide LH	1	
5 SH108151	Screw	4	
6 WA108041	Washer plain	4	
7 NY108041L	Nut	4	
8 CR120205	Circlip	2	
9 MUC8754	Knob recline lever	2	
10 MWC7636	Cover mechanism RH	1	
MWC7635	Cover mechanism LH	1	
11 MWC5648RCF	Cushion cloth	2	Upto VIN 455645
MWC5648RUY	Cushion cloth	2	From VIN HA455646
MWC5670LCS	Cushion vinyl	2	
12 MWC5649RCF	Cover cushion cloth	2	Upto VIN 455645
MWC5649RUY	Cover cushion cloth	2	From VIN HA455646



DEFENDER 110 1987 onwards

977

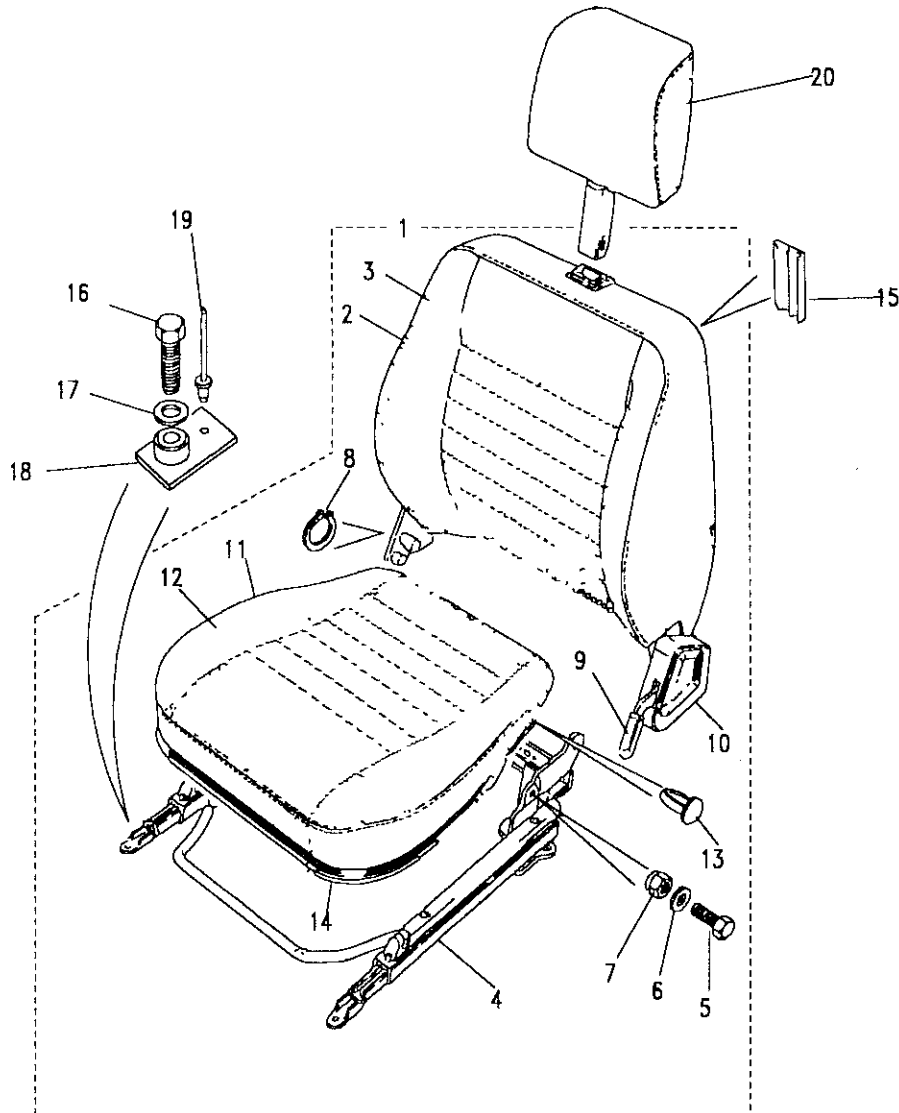
SEATS

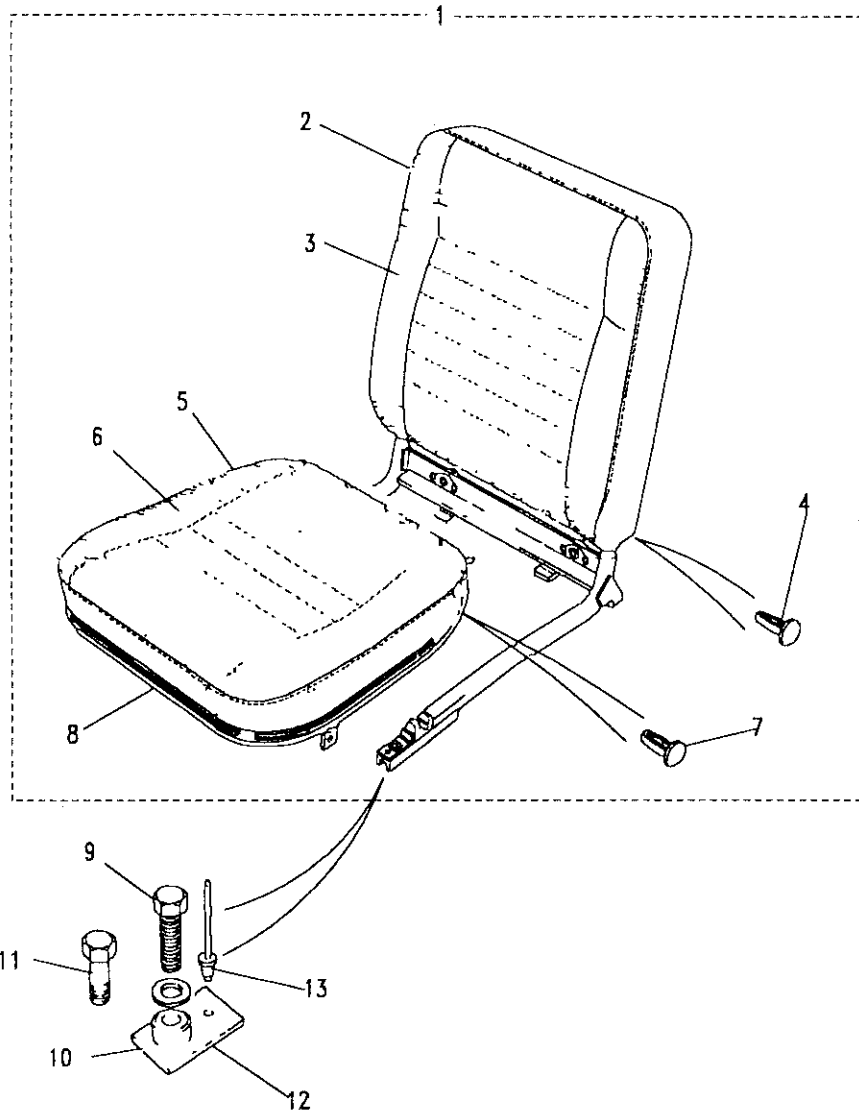
**Model** DEFENDER 110 1987 onwards  
**Page** AFRXE7A

**FRONT SEATS - RH/LH - COUNTY - 1988MY ONWARDS - NOTE(1)**

III. Part No.	Description	Qty	Remarks
MWC5671LCS	Cover cushion vinyl	2	
13 MTC9962	Trim nail	8	
14 MTC9967	Trim locking	2	
15 MWC6106PCB	Rubbing strip	4	
<b>When centre seat not fitted</b>			
16 FS108251L	Screw	8	
17 WA108051L	Washer plain	8	
4075L	Spacer	8	
18 MUC7947	Bush & plate	8	
19 RU608313L	Rivet	8	
<b>When centre seat is fitted</b>			
16 FS108251L	Screw	8	
17 WA108051L	Washer plain	10	
4075L	Spacer	8	
18 MUC7947	Bush & plate	6	
19 RU608313L	Rivet	6	
FN108041L	Nut	2	
MWC4536	Bracket stop	2	Driver seat
20 MWC5626RCF	Head restraint cloth	2	RHS only
MWC5626RUY	Head restraint cloth	2	Upto VIN 455645
MWC5628LCS	Head restraint vinyl	2	From VIN HA455646

Note(1) From - Regular VIN EA314292, Station Wagon VIN EA314268  
 Note(2) Introduction of 1989 Model Year - VIN FA  
 Note(3) With map pocket-Station Wagon only-1992MY-VIN JA





**Model** DEFENDER 110 1987 onwards  
**Page** AFRXEA8A

**FRONT SEATS - CENTRE - COUNTY - 1988MY ONWARDS - NOTE(1)**

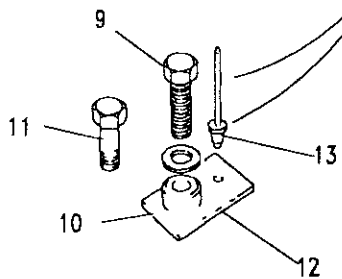
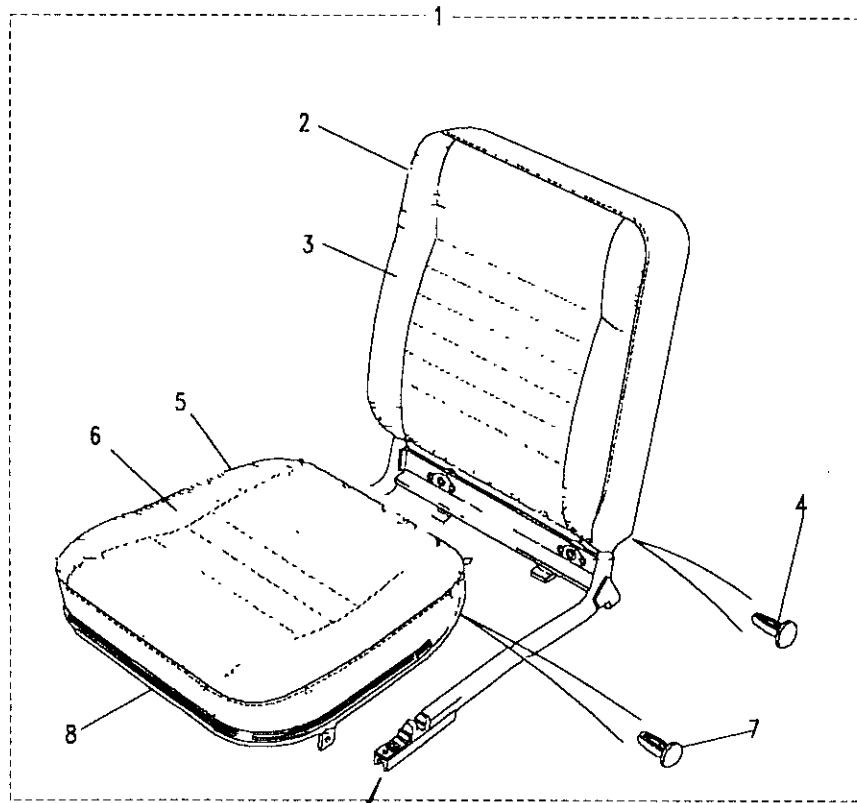
III. Part No.	Description	Qty	Remarks
<b>Centre seat assy - Blue Grey/Grey cloth</b>			
1 MWC5680RCF	Seat assembly	1	Upto VIN 455645
<b>Centre seat assy - Moorland/Grey cloth</b>			
1 MXC2646RUY	Seat assembly	1	From VIN HA455646
<b>Centre seat assy - Grey vinyl</b>			
1 MWC5685LCS	Seat assembly	1	Upto VIN 456099
1 MXC2645LCS	Seat assembly	1	From VIN HA456100
2 MWC5681RCF	Squab cloth	1	Upto VIN 455645
1 MXC2650RUY	Squab cloth	1	From VIN HA455646
1 MWC5686LCS	Squab vinyl	1	Upto VIN 456099
1 MXC2648LCS	Squab vinyl	1	From VIN HA456100
3 MWC5682RCF	Cover squab cloth	1	Upto VIN 455645
1 MXC2641RUY	Cover squab cloth	1	From VIN HA455646
1 MWC5687LCS	Cover squab vinyl	1	Upto VIN 456099
1 MXC2652LCS	Cover squab vinyl	1	From VIN HA456100
4 MTC9962	Trim nail	4	





DEFENDER 110 1987 onwards

979 SEATS



**Model** DEFENDER 110 1987 onwards  
**Page** AFRXE8A

**FRONT SEATS - CENTRE - COUNTY - 1988MY ONWARDS - NOTE(1)**

III. Part No.	Description	Qty	Remarks
5 MWC5683RCF	Cushion cloth	1	Upto VIN 455645
MXC2649RUY	Cushion cloth	1	From VIN HA455646
MWC5688LCS	Cushion vinyl	1	Upto VIN 456099
MXC2647LCS	Cushion vinyl	1	From VIN HA456100
6 MWC5684RCF	Cover cushion cloth	1	Upto VIN 455645
MXC2640RUY	Cover cushion cloth	1	From VIN HA455646
MWC5689LCS	Cover cushion vinyl	1	Upto VIN 456099
MXC2651LCS	Cover cushion vinyl	1	From VIN HA456100
7 MTC9962	Trim nail	4	
8 MTC9959	Trim locking	1	
9 FS108251L	Screw	2	Rear
10 WC108051L	Washer plain	4	
11 FS108301L	Bolt	2	Front
12 MUC7947	Bush and plate	2	Front
13 RU608313L	Rivet	2	
FN108041L	Nut	2	Rear

Note(1) From - Regular VIN EA314059 Station Wagon VIN EA314174





Model DEFENDER 110 1987 onwards

Page AFRXE9A

REAR SEATS - GRAB RAIL

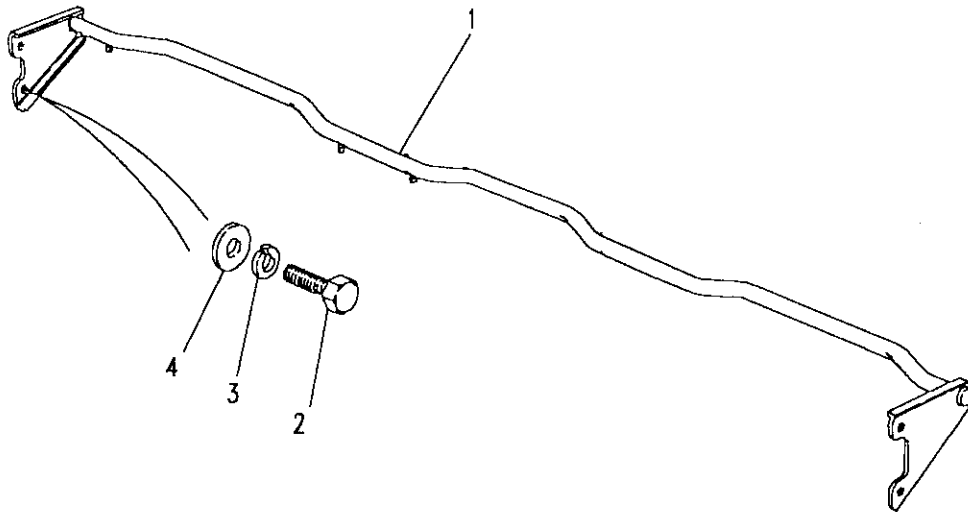
III. Part No. Description Qty Remarks

For rear forward facing seats - Station Wagon

1 MWC4380 Grab rail 1

Fixings - Grab rail to BC post

2 FS108201L Screw 4  
3 WC108051L Washer plain 4  
4 WL108001L Washer spring 4



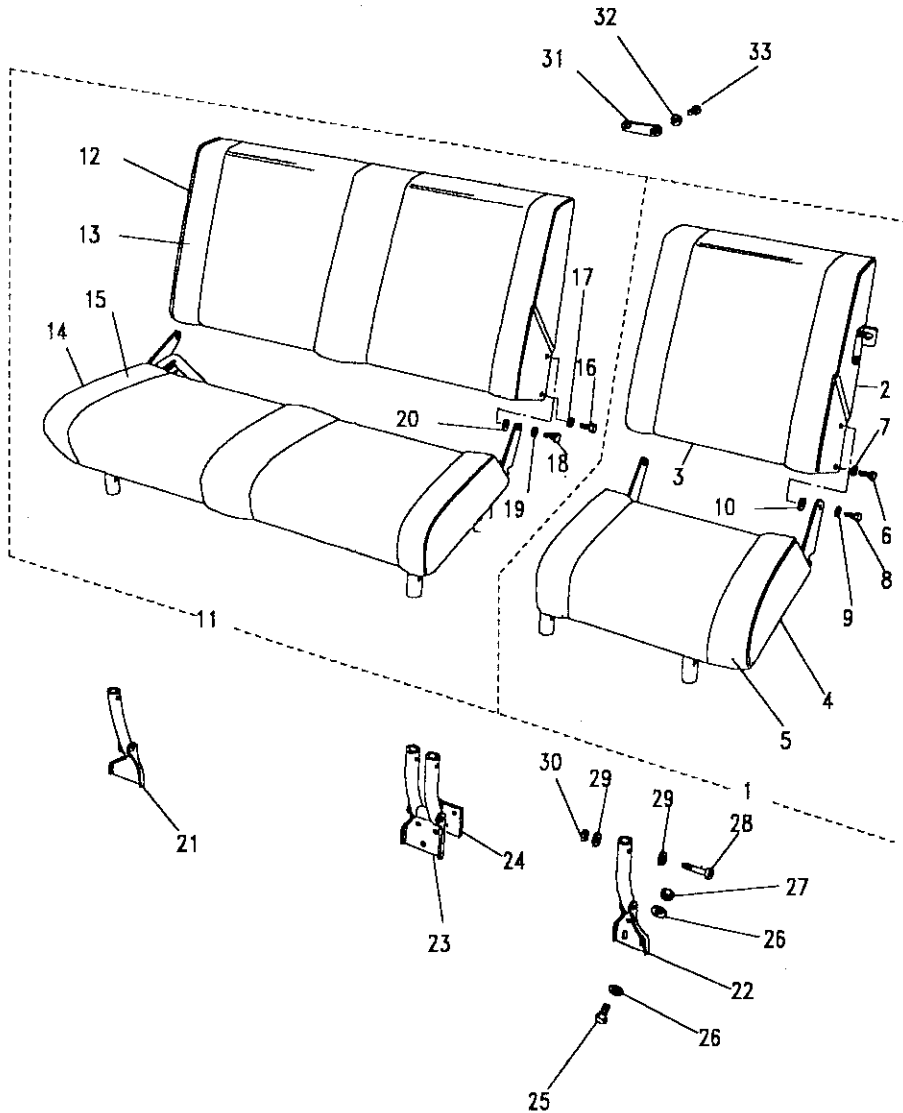


Model DEFENDER 110 1987 onwards  
Page AFRXGC1A

REAR SEATS - FORWARD FACING SPLIT SEAT

III. Part No.	Description	Qty	Remarks
<b>Forward facing seat assy - Short</b>			
<b>Brushwood/Berber cloth</b>			
1 MWC3111RD	Seat assembly short	1	Upto Note(1)
<b>Blue grey/Grey cloth</b>			
1 MWC5533RCF	Seat assembly short	1	From Note(1) Upto note(2)
<b>Moorland/Grey cloth</b>			
1 MXC5822RUY	Seat assembly short	1	From Note(2)
<b>Black vinyl</b>			
1 MWC3112PB	Seat assembly short	1	Upto note(1)
<b>Grey vinyl</b>			
MWC5534LCS	Seat assembly short	1	From Note(1) Upto Note(2)
MXC5823LCS	Seat assembly short	1	From Note(2)

Note(1) Introduction Of 1988 Model year - VIN EA314268  
Note(2) Introduction Of 1991 Model year - VIN FA418703 DEF110



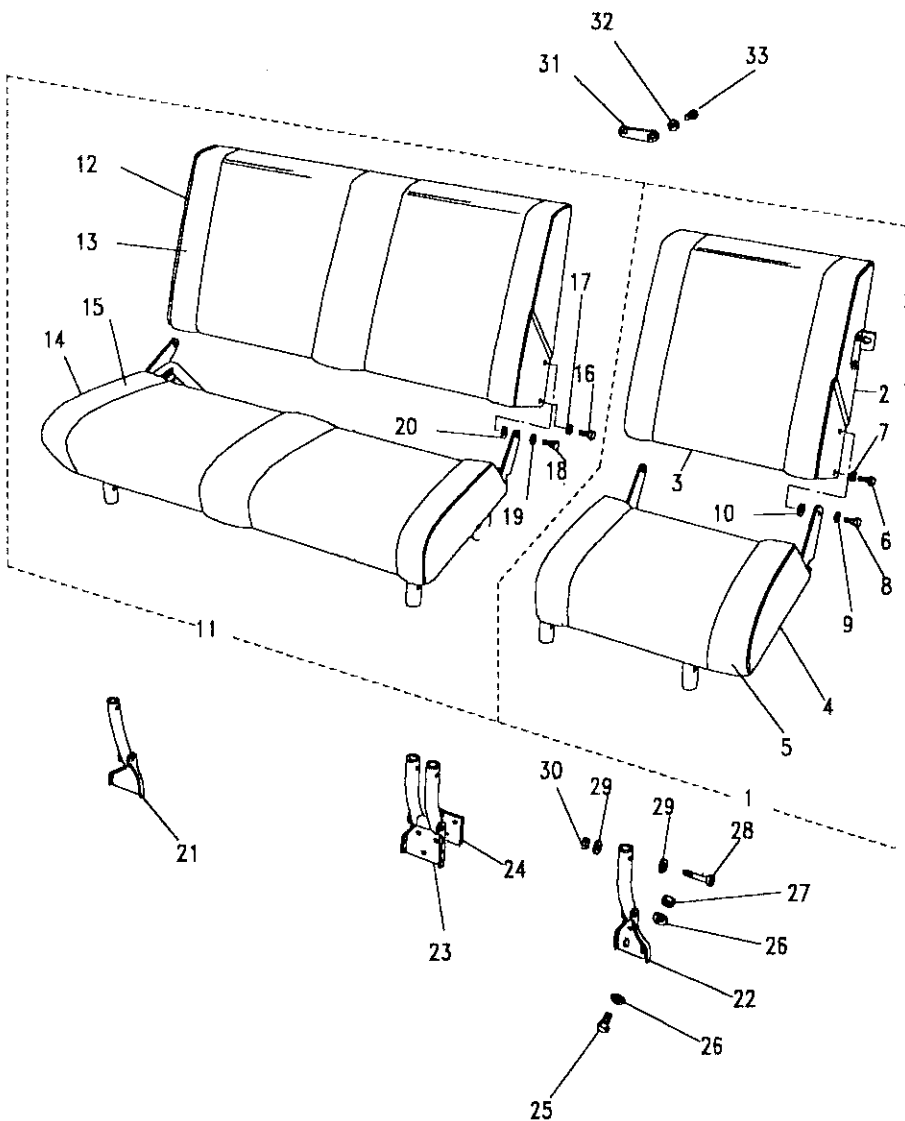


Model DEFENDER 110 1987 onwards  
Page AFRXGC1A

REAR SEATS - FORWARD FACING SPLIT SEAT

III. Part No.	Description	Qty	Remarks
2	MUC9974RD	1	Upto Note(1)
	MWC5536RCF	1	From Note(1)
			To Note(2)
	MXC3169RUY	1	From Note(2)
	MUC9975PB	1	Upto Note(1)
	MWC5537LCS	1	From Note(1)
			Upto Note(2)
	MXC3170LCS	1	From Note(2)
3	MWC1707RD	1	Upto Note(1)
	MWC5539RCF	1	From Note(1)
			Upto Note(2)
	MXC1827RUY	1	From Note(2)
	MWC1708PB	1	Upto Note(1)
	MWC5540LCS	1	From Note(1)
			Upto Note(2)
4	MXC1831LCS	1	From Note(2)
	MWC3107RD	1	Upto Note(1)
	MWC5546RCF	1	From Note(1)
			Upto Note(2)
	MXC5814RUY	1	From Note(2)
	MWC3108PB	1	Upto Note(1)
	MWC5547LCS	1	From Note(1)
			Upto Note(2)
	MXC5815LCS	1	From Note(2)

Note(1) Introduction of 1988 Model Year - VIN EA314268  
Note(2) Introduction of 1991 Model Year - VIN FA418703 DEF110



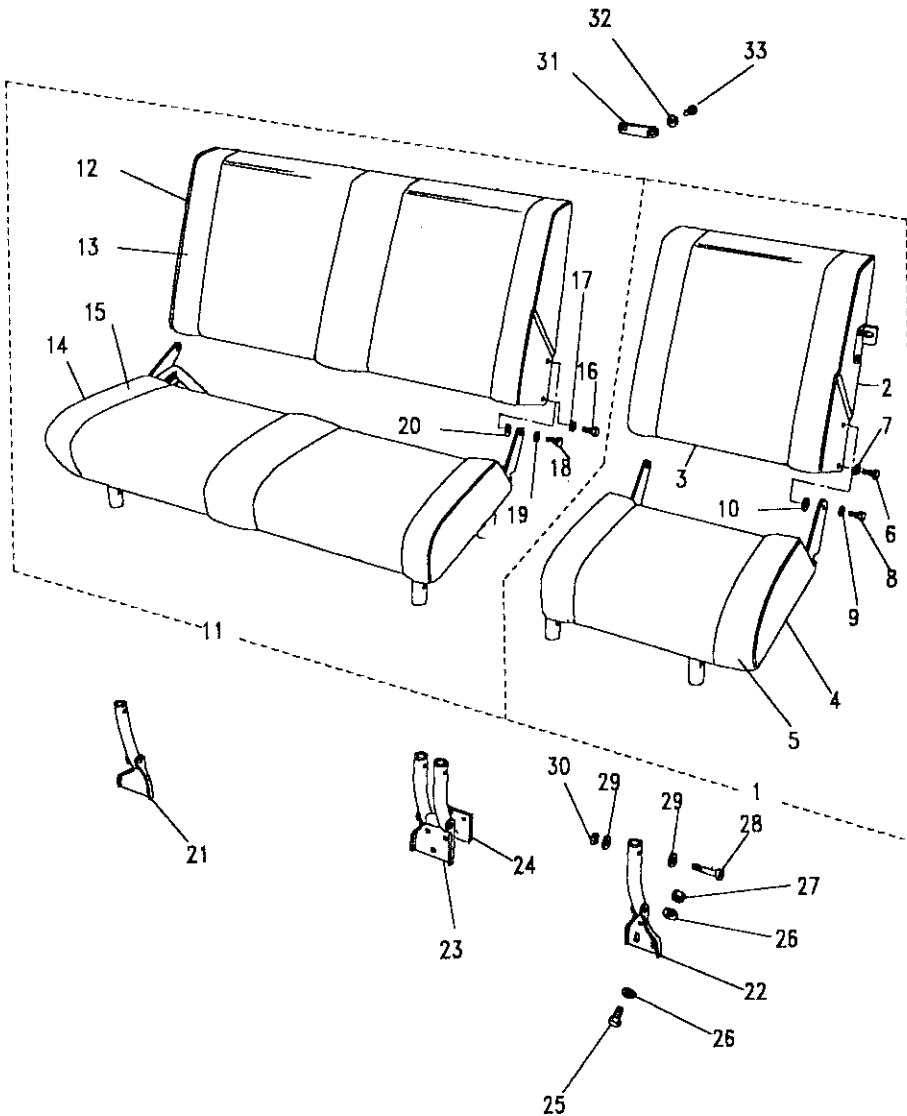


Model DEFENDER 110 1987 onwards  
Page AFRXGC1A

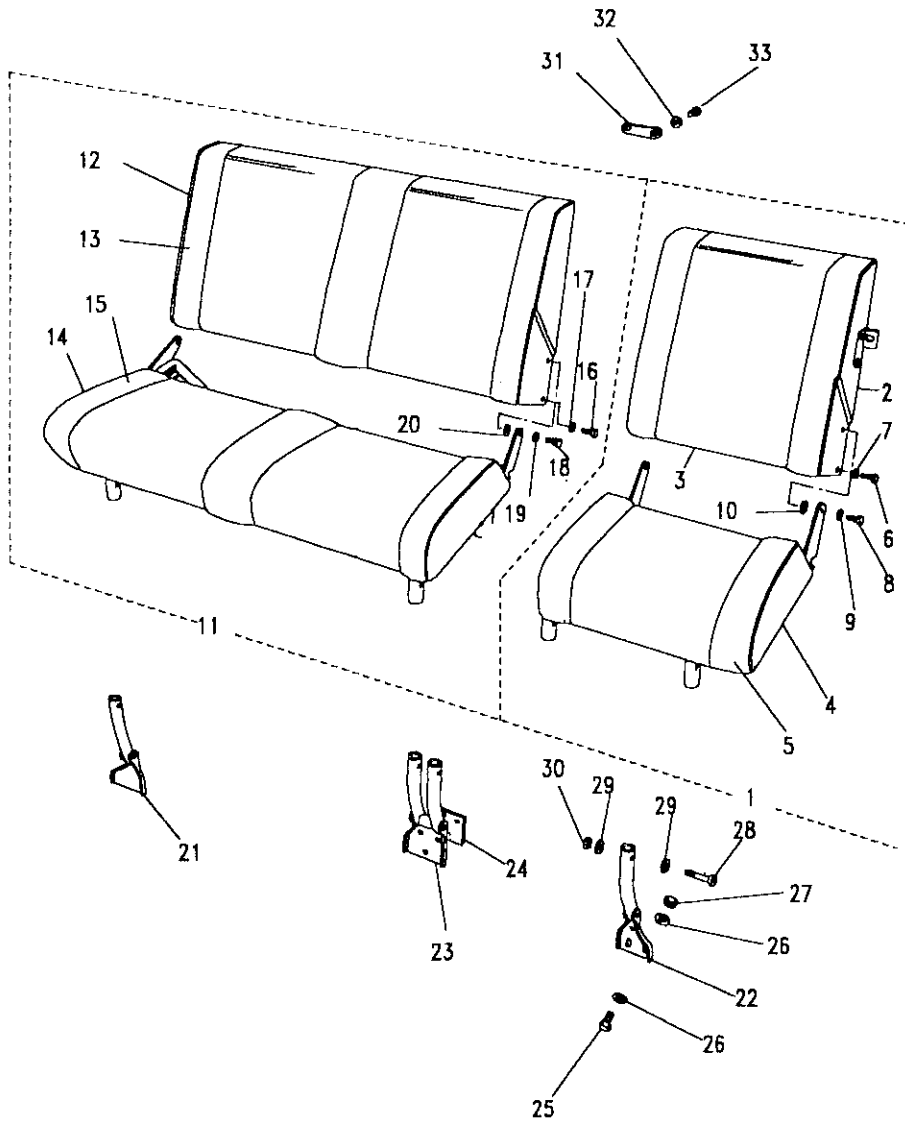
REAR SEATS - FORWARD FACING SPLIT SEAT

III. Part No.	Description	Qty	Remarks
5	MWC3103RD	1	Upto Note(1)
	MWC5549RCF	1	From Note(1)
			Upto Note(2)
	MXC1826RUY	1	From Note(2)
	MWC3105PB	1	Upto Note(1)
	MWC5550LCS	1	From Note(1)
			Upto Note(2)
	MXC1830LCS	1	From Note(2)
6	MWC2522	1	Bolt special
7	WC108051L	1	Washer plain
8	MWC2522	2	Bolt special
9	WC110061L	2	Washer plain
10	WJ108001L	2	Washer plain
<b>Defender 130</b>			
2	RRC6271RCF	1	Squab cloth
			From 11-11-88
			Upto 1991MY
	RRC6271RUY	1	Squab cloth
	RRC6270LCS	1	Squab vinyl
4	RRC6393RCF	1	Cushion cloth
			From 11-11-88
			Upto 1991MY
	RRC6393RUY	1	Cushion cloth
	RRC6392LCS	1	Cushion vinyl
			From 11-11-88

Note(1) Introduction of 1988 Model Year - VIN EA314268  
Note(2) Introduction of 1991 Model Year - VIN FA418703 DEF110







Model DEFENDER 110 1987 onwards

Page AFRXGC1A

REAR SEATS - FORWARD FACING SPLIT SEAT

Ill. Part No.	Description	Qty	Remarks
<b>Forward facing seat assy - Long</b>			
<b>Brushwood/Berber cloth</b>			
11 MWC3113RD	Seat assembly long	1	Upto Note(1)
<b>Blue Grey/Grey cloth</b>			
11 MWC5555RCF	Seat assembly long	1	From Note(1) Upto Note(2)
<b>Moorland/Grey cloth</b>			
11 MXC5820RUY	Seat assembly long	1	From Note(2)
<b>Black vinyl</b>			
11 MWC3114PB	Seat assembly long	1	Upto Note(1)
<b>Grey vinyl</b>			
11 MWC5556LCS	Seat assembly long	1	From Note(1) Up to Note(2)
MXC5821LCS	Seat assembly long	1	From Note(2)

Note(1) Introduction of 1988 Model Year - VIN EA314268

Note(2) Introduction of 1991 Model Year - VIN FA418703 DEF110





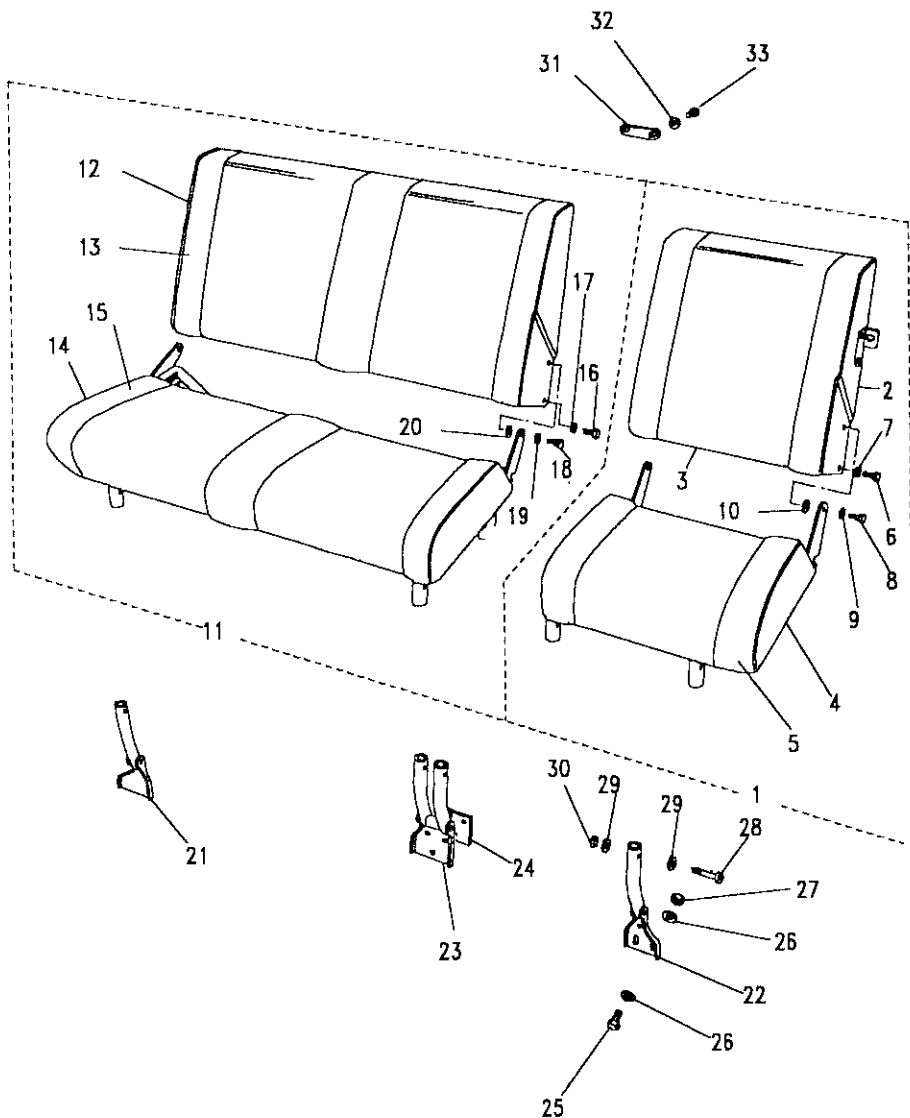
Model DEFENDER 110 1987 onwards

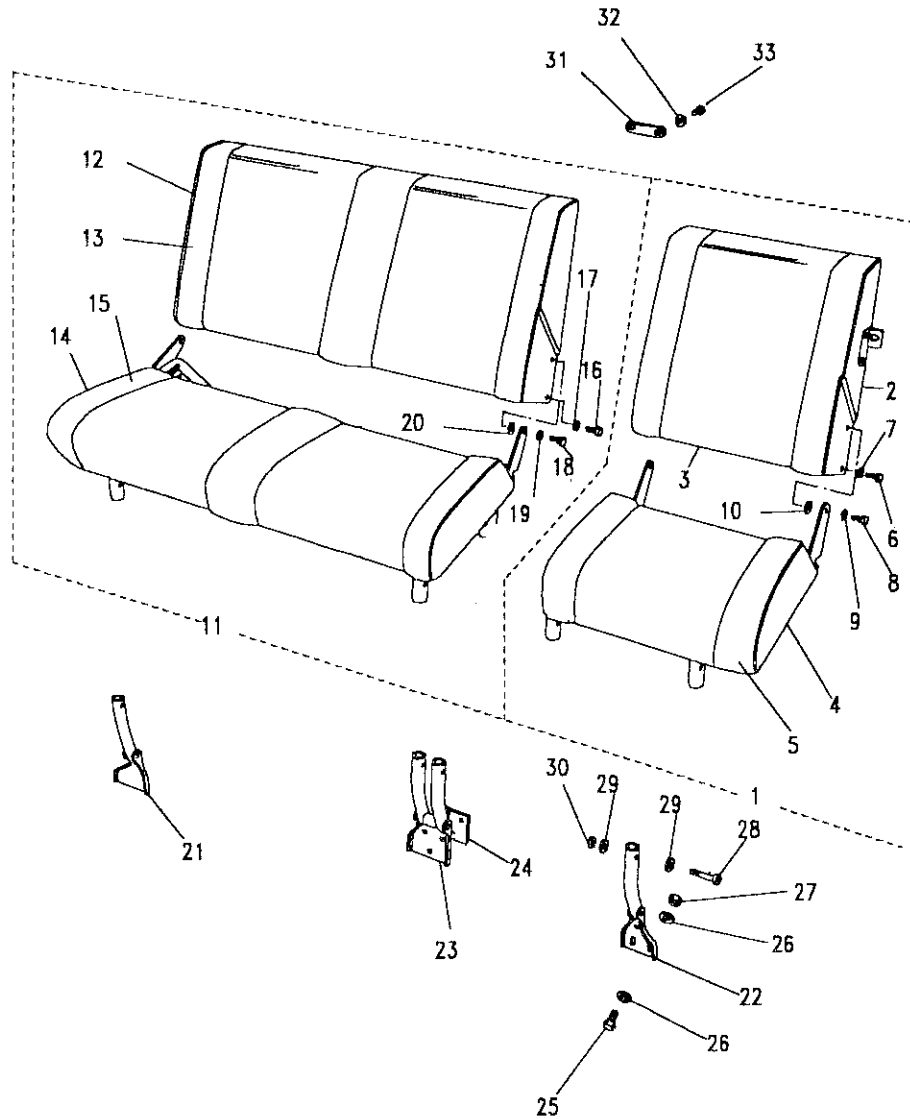
Page AFRXGC1A

REAR SEATS - FORWARD FACING SPLIT SEAT

III. Part No.	Description	Qty	Remarks
12	MUC9971RD	1	Upto Note(1)
	MWC5558RCF	1	From Note(1) Upto Note(2)
	MXC3167RUY	1	From Note(2)
	MUC9972PB	1	Upto Note(1)
	MWC5559LCS	1	From Note(1) Upto Note(2)
	MXC3168LCS	1	From Note(2)
13	MWC1705RD	1	Upto Note(1)
	MWC5561RCF	1	From Note(1) Upto Note(2)
	MXC1829RUY	1	From Note(2)
	MWC1706PB	1	Upto Note(1)
	MWC5562LCS	1	From Note(1) Upto Note(2)
	MXC1833LCS	1	From Note(2)
14	MWC3109RD	1	Upto Note(1)
	MWC5568RCF	1	From Note(1) Upto Note(2)
	MXC5812RUY	1	From Note(2)
	MWC3110PB	1	Upto Note(1)
	MWC5569LCS	1	From Note(1) Up to Note(2)
	MXC5813LCS	1	From Note(2)

Note(1) Introduction of 1988 Model Year - VIN EA314268  
 Note(2) Introduction of 1991 Model Year - VIN FA418703 DEF110





Model DEFENDER 110 1987 onwards  
 Page AFRXGC1A

**REAR SEATS - FORWARD FACING SPLIT SEAT**

III. Part No.	Description	Qty	Remarks
15 MWC3104RD	Cover cushion cloth	1	Upto Note(1)
MWC5592RCF	Cover cushion cloth	1	From Note(1)
MXC1828RUY	Cover cushion cloth	1	Upto Note(2)
MWC3106PB	Cover cushion vinyl	1	From Note(2)
MWC5593LCS	Cover cushion vinyl	1	Upto Note(1)
MXC1832LCS	Cover cushion vinyl	1	From Note(1)
16 MWC2522	Bolt special	1	Up to Note(2)
17 WC108051L	Washer plain	1	From Note(2)
18 MWC2522	Bolt special	2	
19 WC110061L	Washer plain	2	
20 WJ108001L	Washer plain	2	
<b>Defender 130</b>			
12 RRC6269RCF	Squab cloth	1	From 11-11-88
RRC6269RUY	Squab cloth	1	Upto FA419177
RRC6268LCS	Squab vinyl	1	From FA419178
14 RRC6391RCF	Cushion cloth	1	From 11-11-88
RRC6391RUY	Cushion cloth	1	Upto FA419177
RRC6390LCS	Cushion vinyl	1	From FA419178

Note(1) Introduction Of 1988 Model Year - VIN EA314268  
 Note(2) Introduction Of 1991 Model Year - VIN FA418703 DEF110





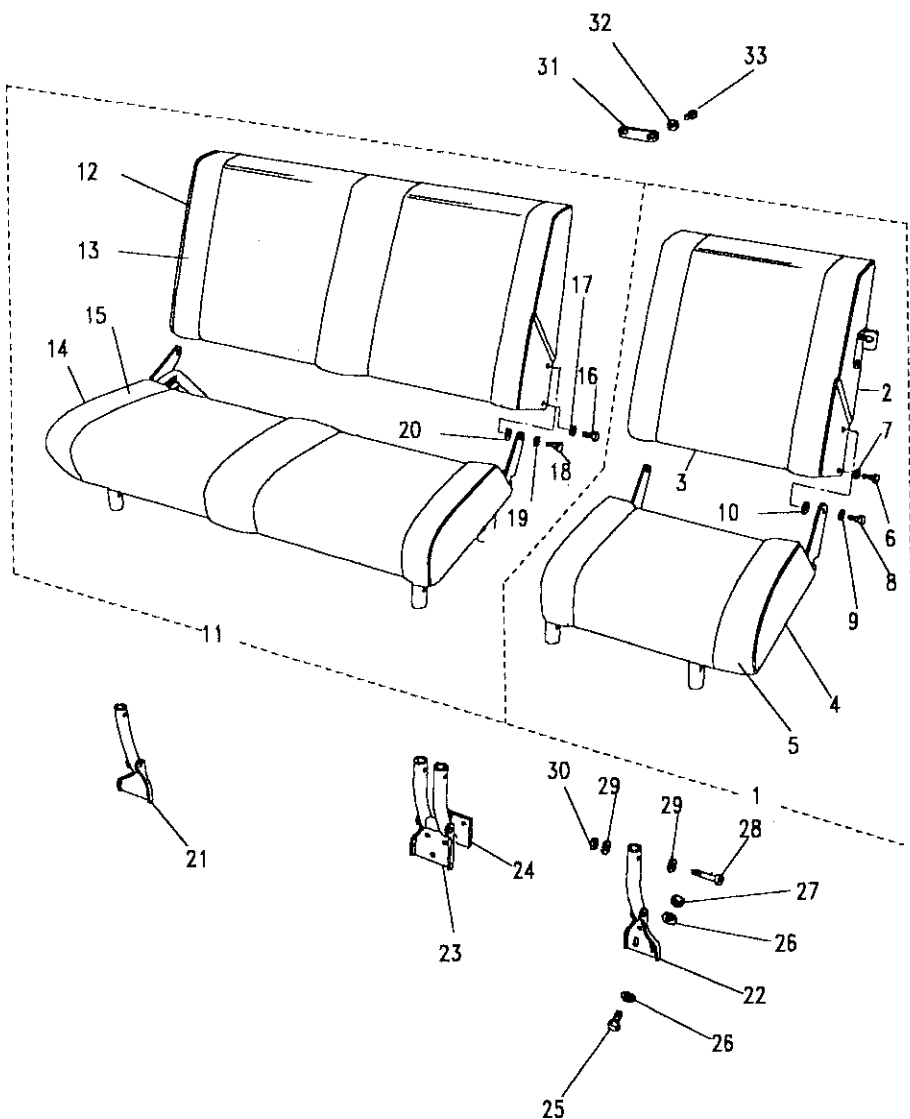
DEFENDER 110 1987 onwards

987 SEATS

Model DEFENDER 110 1987 onwards  
Page AFRXGC1A

REAR SEATS - FORWARD FACING SPLIT SEAT

III. Part No.	Description	Qty	Remarks
<b>Defender 110</b>			
21 MUC9874	Bracket mounting outer RH	1	
22 MUC9875	Bracket mounting outer LH	1	
23 MUC9864	Bracket mounting inner	1	
<b>Defender 130</b>			
21 RRC6104	Bracket mounting outer RH	1	From 22-7-88
22 RRC6105	Bracket mounting outer LH	1	From 22-7-88
23 RRC6106	Bracket mounting inner	1	From 22-7-88
RRC6111	Pad mounting	4	From 22-7-88
24 MWC1623	Plate reinforcement	1	
<b>Fixings - Brackets to floor</b>			
25 FS108251L	Screw	9	
26 WC108051L	Washer plain	18	
27 FN108041L	Nut	9	
<b>Fixings - Seats to brackets</b>			
28 SH108401L	Screw	4	
29 WC108051L	Washer plain	8	
30 FN108041L	Nut	4	

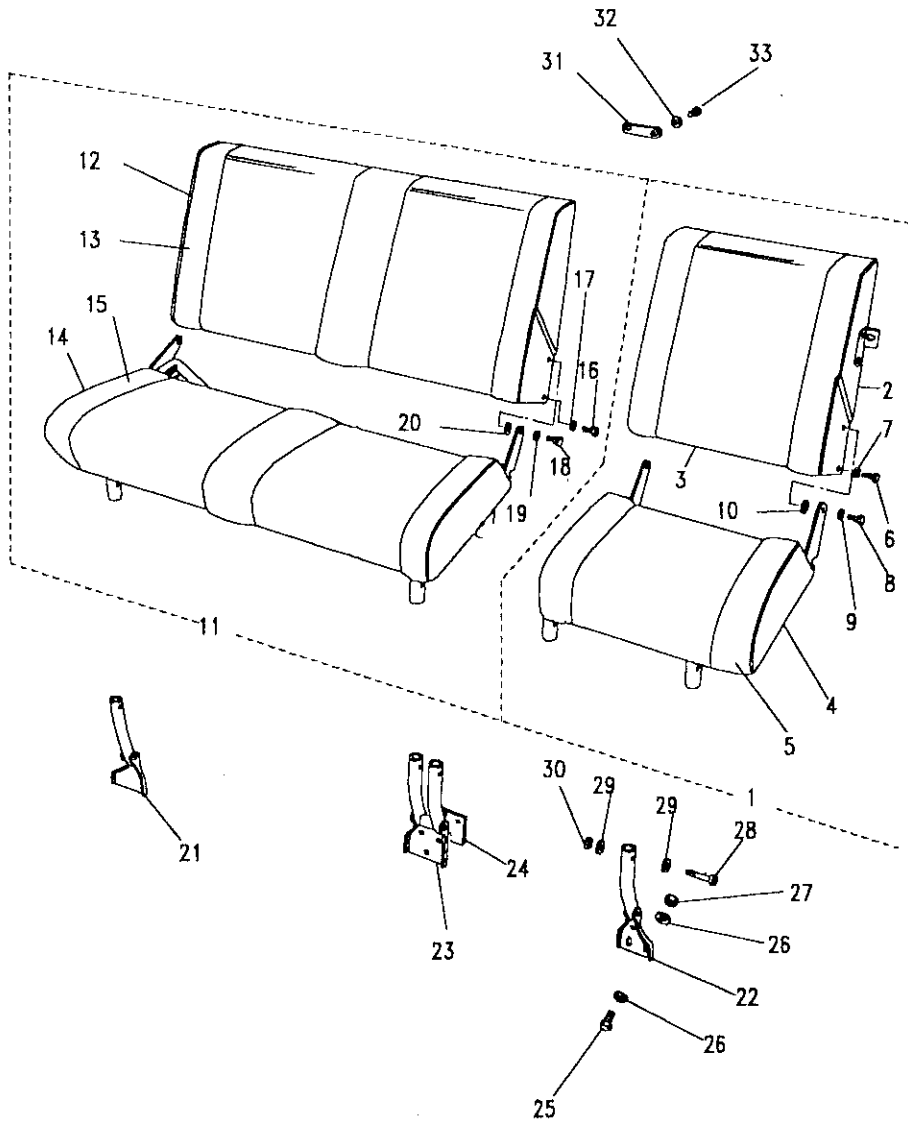




Model DEFENDER 110 1987 onwards  
Page AFRXGC1A

REAR SEATS - FORWARD FACING SPLIT SEAT

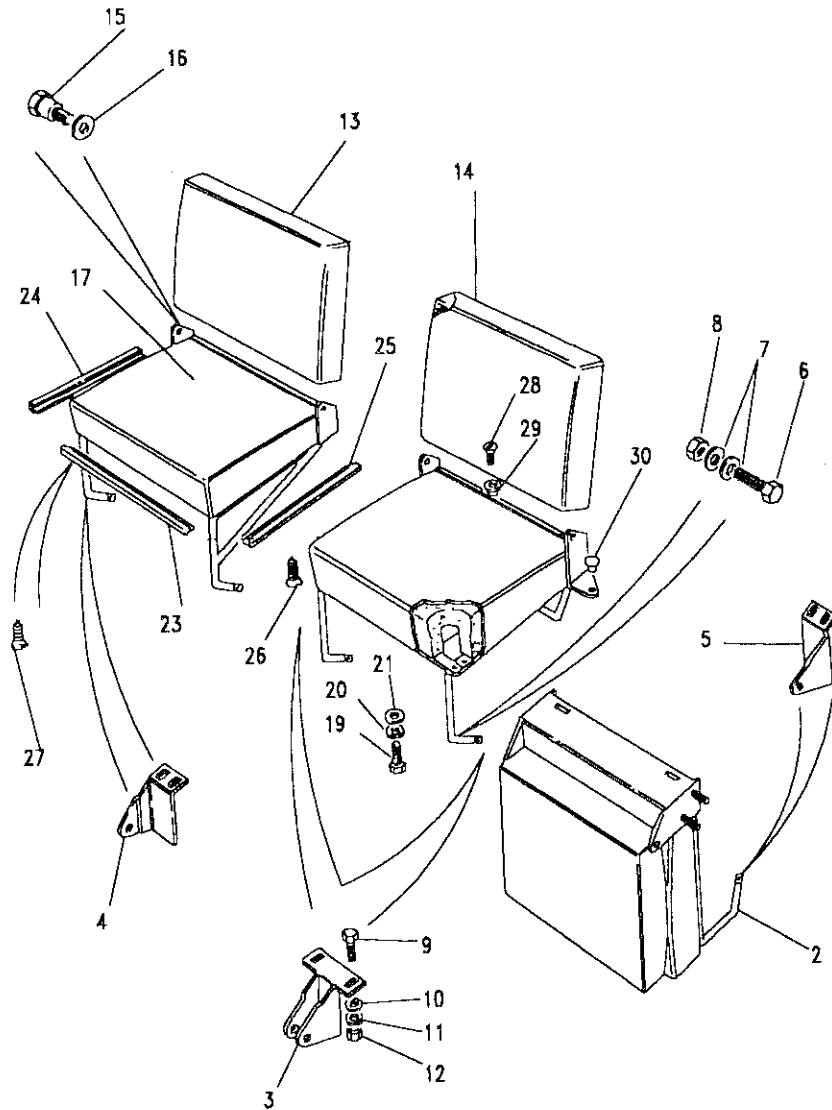
III. Part No.	Description	Qty	Remarks
Australia			
31 MWC1141	Plate squab retention	1	
32 SE108201	Screw	2	
33 WA108051L	Washer plain	2	





Model DEFENDER 110 1987 onwards  
 Page AFRXGE1A

REAR SEATS - FORWARD FACING - INDIVIDUAL TYPE



III. Part No.	Description	Qty	Remarks
1	347343	1	Seat frame centre
2	347344	2	Seat frame outer
3	MTC6793	2	Bracket support inner
4	MTC6794	1	Bracket support outer RH
5	MTC6795	1	Bracket support outer LH
6	331709	6	Bolt shouldered
7	AFU1263	12	Washer plain
8	NH106041L	6	Nut

Fixings - Brackets to floor

9	SE106204	14	Screw
10	WA106041L	14	Washer plain
11	WL106001L	14	Washer spring
12	NH106041L	14	Nut

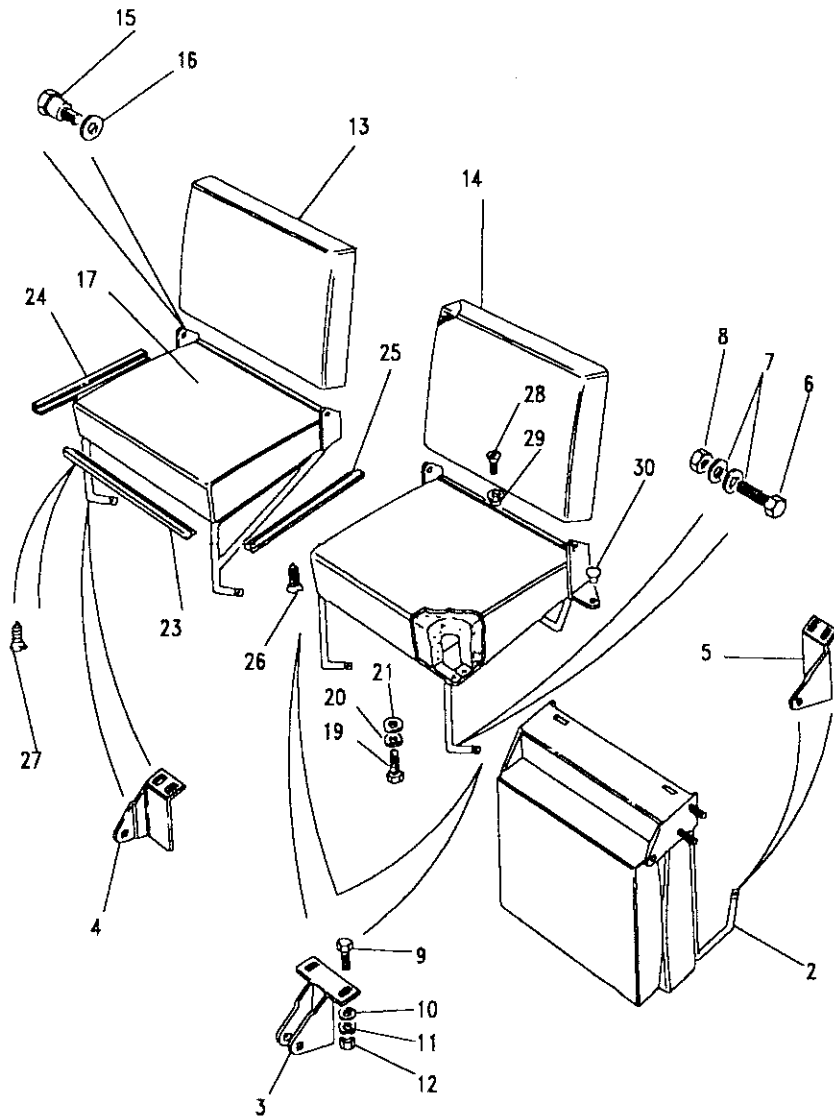
Seat squab - Brushwood/Berber cloth

13	MTC4489RD	3	Squab	Upto Note(1)
----	-----------	---	-------	--------------

Seat squab - Blue Grey/Grey cloth

13	MXC2780RCF	3	Squab	From Note(1) Upto Note(2)
----	------------	---	-------	------------------------------



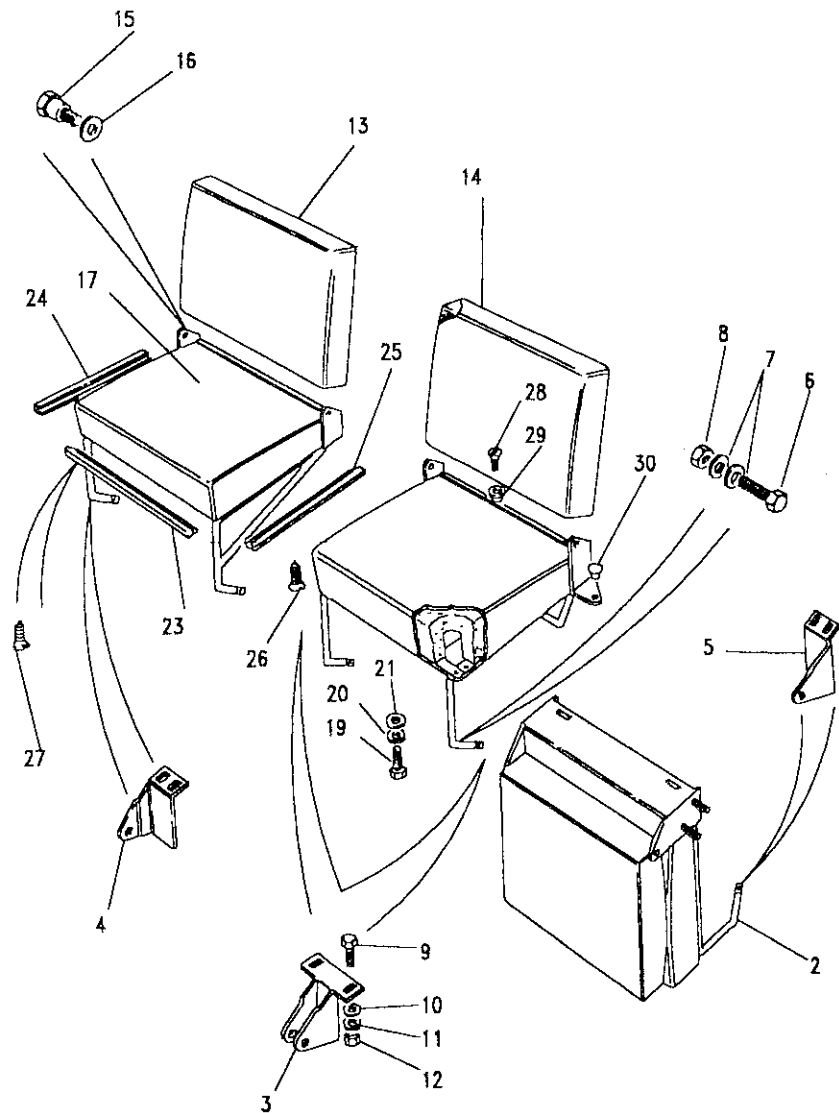


**Model** DEFENDER 110 1987 onwards  
**Page** AFRXGE1A

**REAR SEATS - FORWARD FACING - INDIVIDUAL TYPE**

Ill. Part No.	Description	Qty	Remarks
<b>Seat squab - Moorland/Grey cloth</b>			
13	MXC2780RUY Squab	3	From Note(2)
<b>Seat squab - Black vinyl</b>			
13	349514 Squab	3	Upto Note(1)
<b>Seat squab - Grey vinyl</b>			
13	MWC5525LCS Squab	3	From Note(1)
14	349529 Interior squab	3	
15	331709 Bolt shouldered	6	
16	3830L Washer steel	6	Upto Note(1)
	WC108051L Washer steel	6	From Note(1)
	349955 Washer rubber	6	
	349931 Washer plastic	6	
<b>Seat cushion - Brushwood/Berber cloth</b>			
17	MTC4483RD Cushion	3	Upto Note(1)





Model DEFENDER 110 1987 onwards

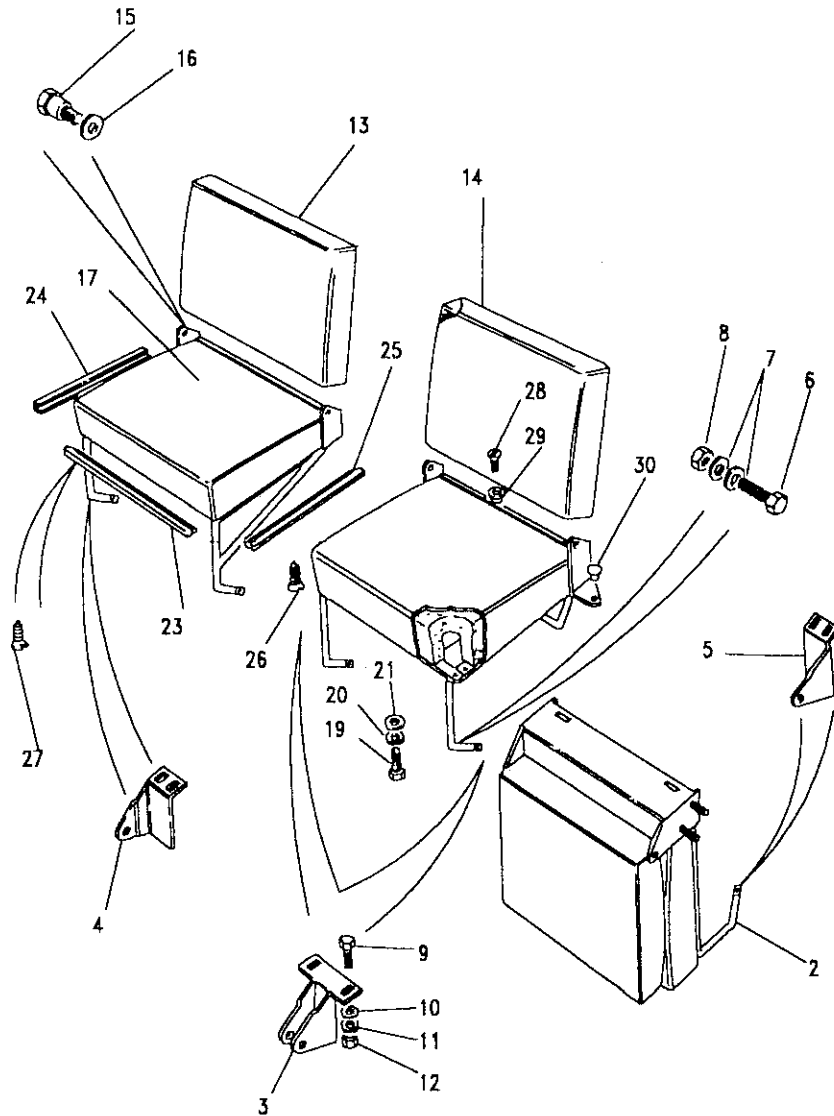
Page AFRXGE1A

REAR SEATS - FORWARD FACING - INDIVIDUAL TYPE

III. Part No.	Description	Qty	Remarks
17 MWC5507RCF	Seat cushion - Blue Grey/Grey cloth Cushion	3	From Note(1) Upto Note(2)
17 MWC5507RUY	Seat cushion - Moorland/Grey cloth Cushion	3	From Note(2)
17 349515	Seat cushion - Black vinyl Cushion	3	Upto Note(1)
17 MWC5530LCS	Seat cushion - Grey vinyl Cushion	3	From Note(1)
18 349516	Interior cushion	3	
19 BH604161L	Fixings - Cushion to frame Bolt	6	
20 WM600041L	Washer spring	6	
21 3900L	Washer plain	6	







**Model** DEFENDER 110 1987 onwards  
**Page** AFRXGE1A

**REAR SEATS - FORWARD FACING - INDIVIDUAL TYPE**

Ill. Part No.	Description	Qty	Remarks
22 306316	Panel seat base	3	
23 307418	Finisher front	3	
24 307419	Finisher side RH	3	
25 307420	Finisher side LH	3	
26 20138	Screw	6	
27 20147	Screw	12	
28 F608081	Screw	6	
29 WK608311	Washer cup	6	
30 301347	Plug	10	

**Fixings - Redundant holes in floor**

FS108201	Screw	2	
WL108001L	Washer spring	2	
WC108051L	Washer plain	2	
FN108041L	Nut	2	
MRC1300	Plug	2	

Note(1) Introduction of 1988 Model Year - VIN EA314268  
 Note(2) Introduction of 1991 Model Year - VIN HA

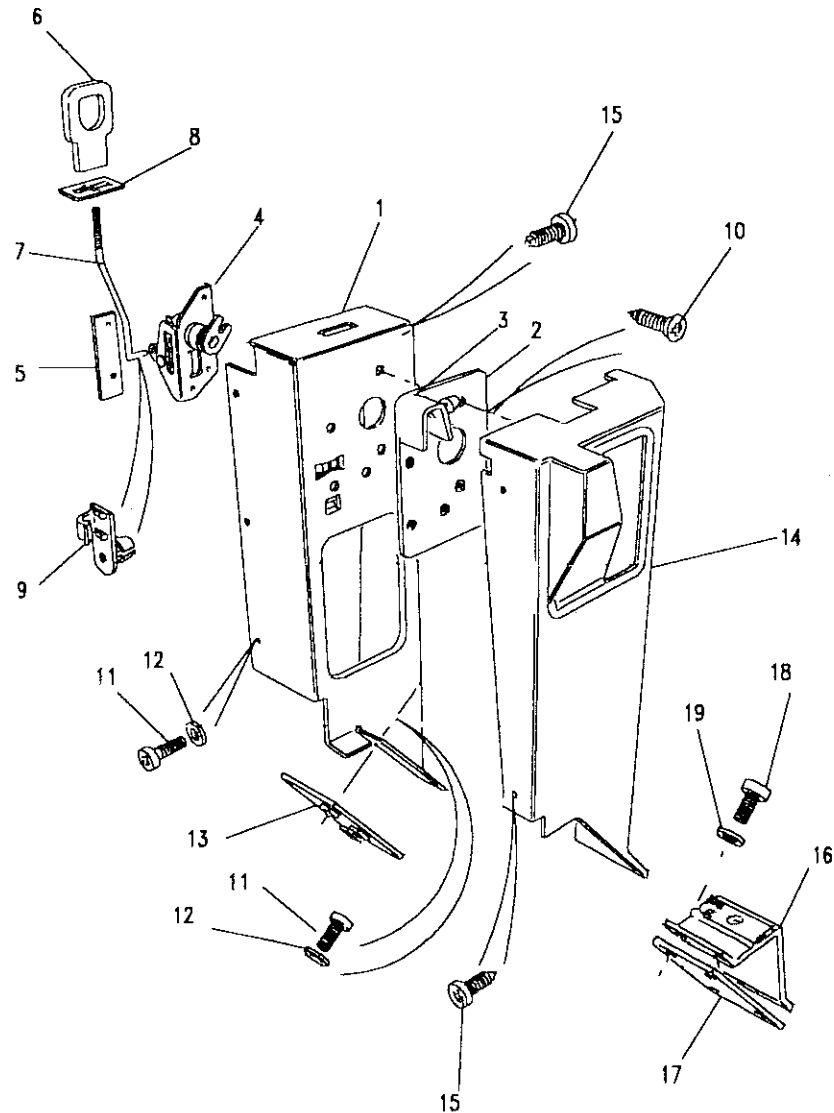




DEFENDER 110 1987 onwards

993

SEATS



Model DEFENDER 110 1987 onwards

Page AFRXIA1A

REAR SEATS - SEAT LOCK - REAR FORWARD FACING SPLIT SEAT

Ill. Part No.	Description	Qty	Remarks
1	MWC1496	1	Support latch RH
	MWC1497	1	Support latch LH
2	MWC3138	1	Latch Plate RH
	MWC3139	1	Latch Plate LH
3	MUC5456	2	Buffer rubber
4	MWC2532	1	Catch RH
	MWC2533	1	Catch LH
5	MUC9999	2	Plate tapped
6	MUC5743	2	Ring pull
7	MWC1614	1	Link RH
	MWC1615	1	Link LH
8	MWC2891	2	Washer retaining
9	ADU3469L	2	Clip linkage
10	SF910141L	10	Screw
11	SE105101L	16	Screw
12	WA105001L	16	Washer plain
13	MWC1608	1	Plate reinforcement RH
	MWC1609	1	Plate reinforcement LH
14	MWC1632	1	Cover RH
	MWC1633	1	Cover LH
15	AV608081L	12	Screw
16	MWC5417	2	Support outer
17	MWC5455	2	Plate support
18	SE105165L	8	Screw
19	WA105001L	8	Washer plate

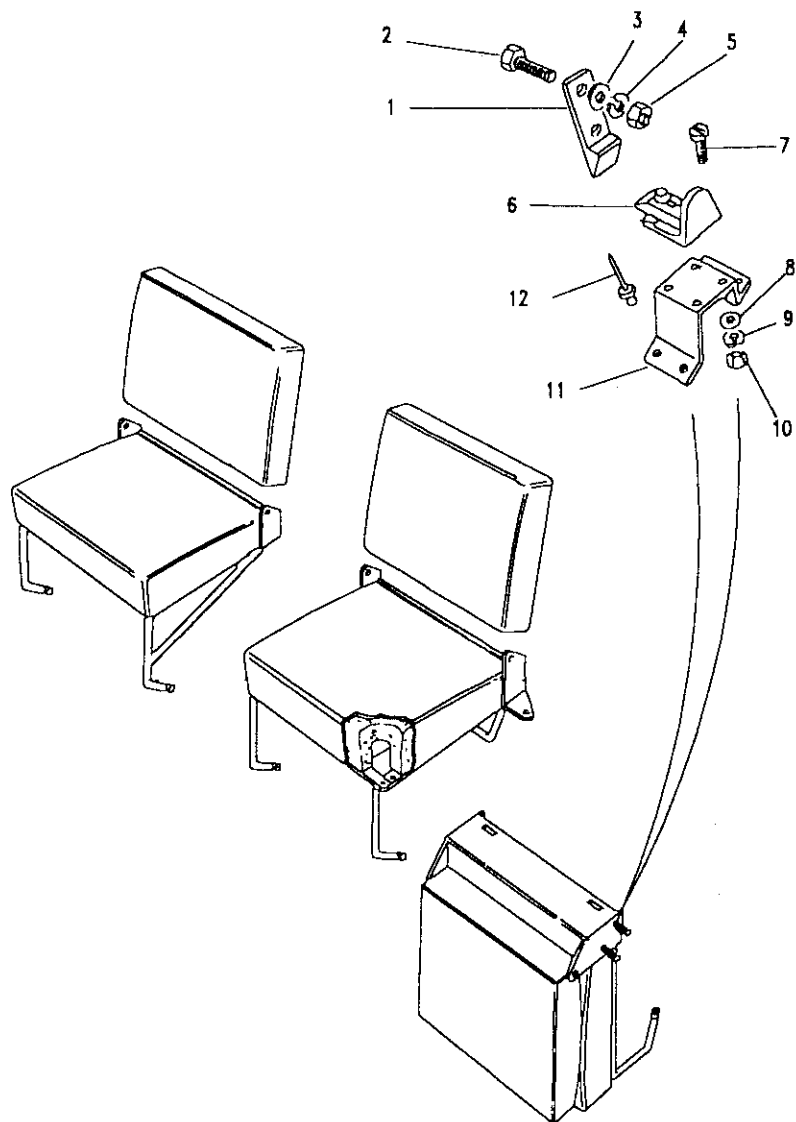




Model DEFENDER 110 1987 onwards

Page AFRXIA2A

REAR SEATS - SEAT LOCK - FORWARD FACING INDIVIDUAL SEATS



III. Part No.	Description	Qty	Remarks
1	336294	2	Striker seat lock
2	SH106161	4	Screw
3	MRC5525	4	Washer plain
4	WL106001L	4	Washer spring
5	NH106041L	4	Nut
6	336288	2	Catch seat lock
7	77869	8	Screw
8	WC702101L	8	Washer plain
9	WM702001L	8	Washer spring
10	RTC608	8	Nut
11	MTC6792	2	Bracket support
12	78248	8	Rivet





Model DEFENDER 110 1987 onwards  
Page AFRXIA3A

REAR SEATS - SQUAB LOCK - FORWARD FACING INDIVIDUAL SEATS

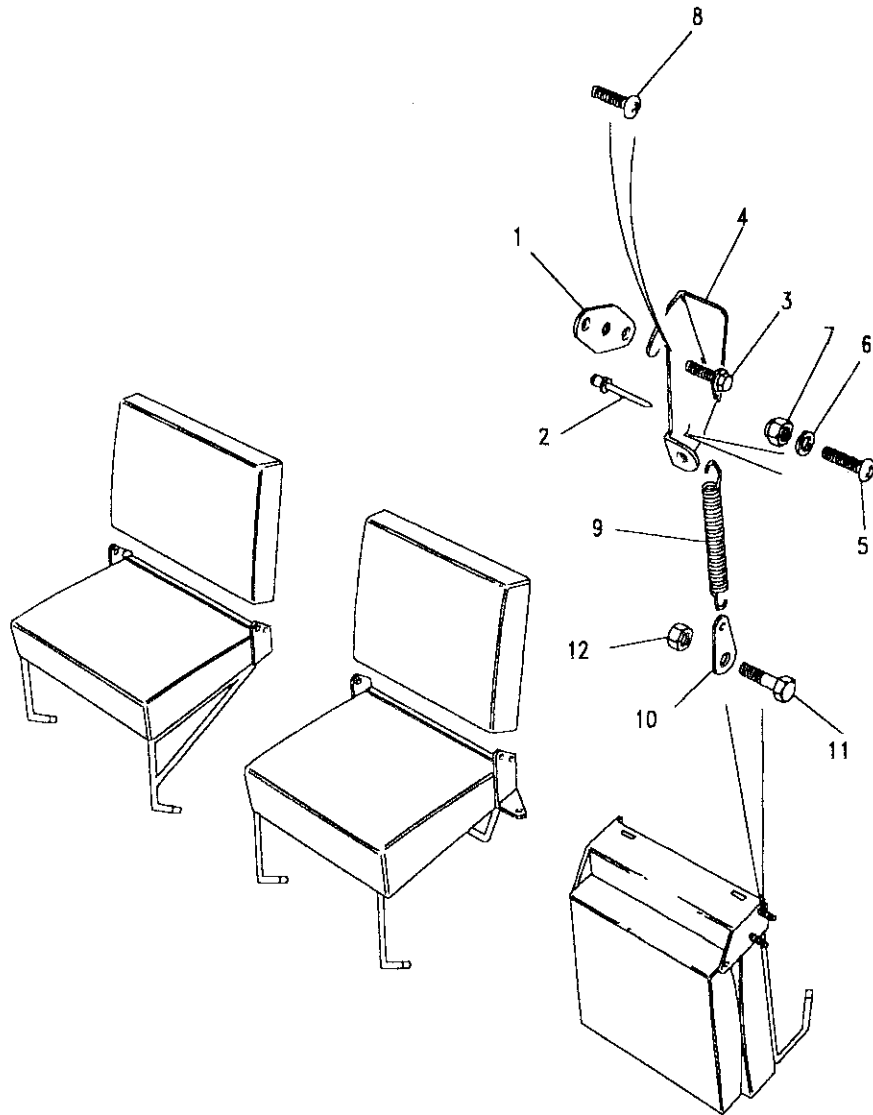
III. Part No. Description Qty Remarks

Upto VIN FA390314

1	347863	Nut plate	3
2	RA612156L	Rivet	6
3	MRC4798	Bolt shouldered	3
4	347861	Catch RH	1
	347861	Catch centre	1
	347862	Catch LH	1
5	SE106161L	Screw	3
6	AFU1080	Washer plain	6
7	NY106041L	Nut	3
8	79134	Screw catch stop	3
9	MTC6801	Spring	3
10	MTC6802	Plate anchor	3

Fixings - Anchor plate to centre seat

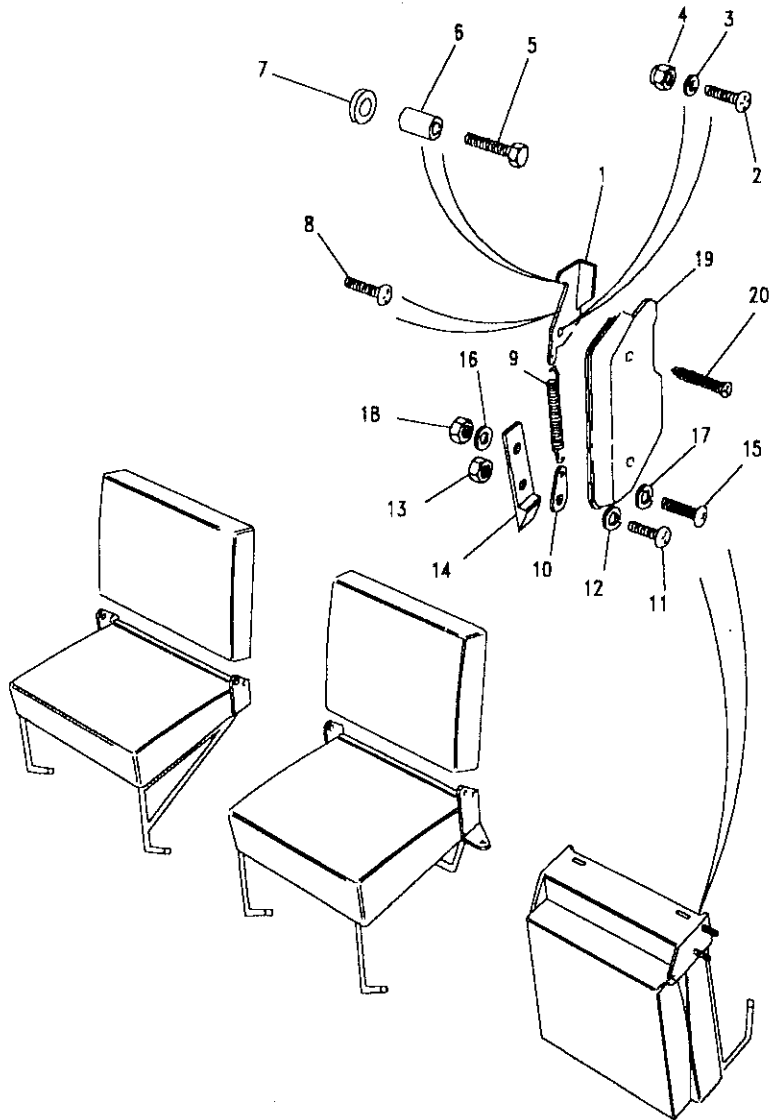
11	SH106204	Screw	1
12	NH106044	Nut	1





Model DEFENDER 110 1987 onwards  
Page AFRXIA4A

REAR SEATS - SQUAB LOCK - FORWARD FACING INDIVIDUAL SEATS



III. Part No.	Description	Qty	Remarks
<b>From VIN FA390315</b>			
1	MXC2744	1	Catch RH
	MXC2744	1	Catch centre
	MXC2745	1	Catch LH
2	SE106164	3	Screw
3	WC600045L	3	Washer plain
4	NY106041L	3	Nutoc Nut
5	SH604071L	3	Screw
6	MXC2751	3	Spacer
7	WC600045L	3	Washer plain
8	79134	3	Screw catch stop
9	MTC6801	3	Spring
10	MTC6802	3	Plate anchor
11	SE106164	3	Screw
12	WL106004L	3	Washer spring
13	NH106044	3	Nut
14	336294	2	Plate striker
15	SE106164	2	Screw
16	WC600045L	2	Washer plain
17	WL106004L	2	Washer spring
18	NH106044	2	Nut
19	MXC1813LCS	1	Cover RH squab
	MXC1813LCS	1	Cover centre squab
	MXC1814LCS	1	Cover LH squab
20	MTC9424	6	Screw
	SF104164	6	Screw
			From VIN FA419521
			) Except
			) centre squab
			)
			Upto VIN FA419520
			From VIN FA419521

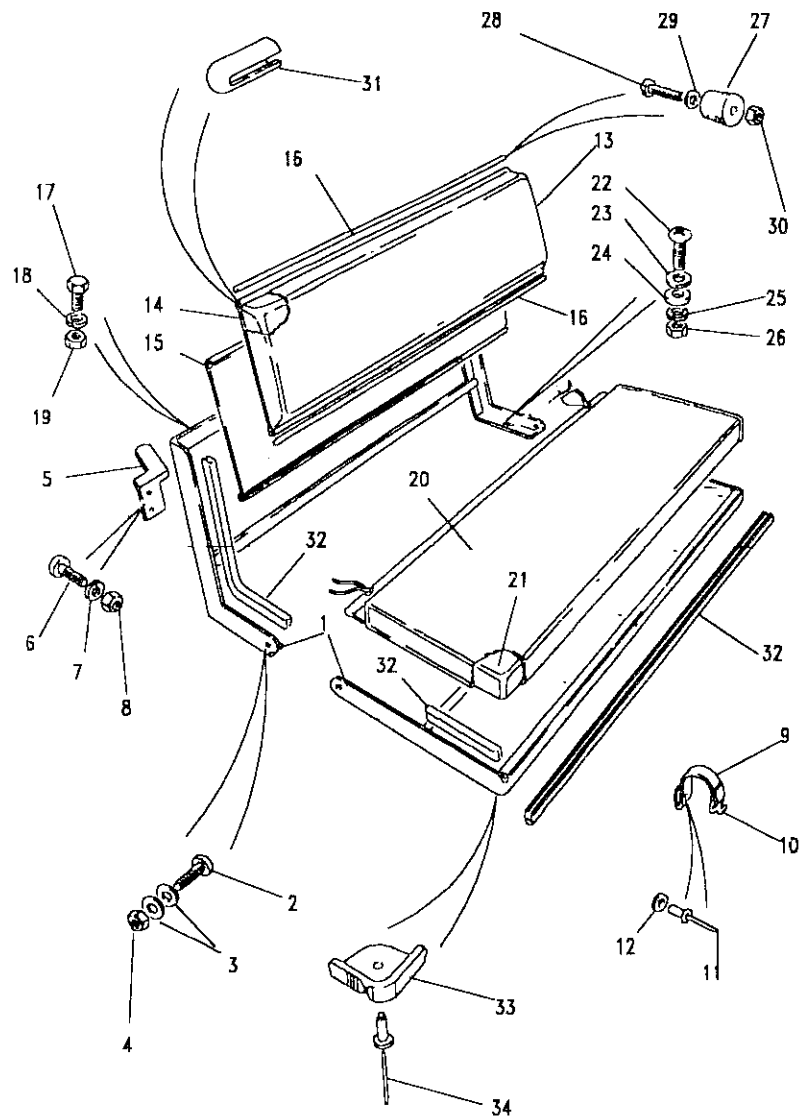




DEFENDER 110 1987 onwards

997

SEATS

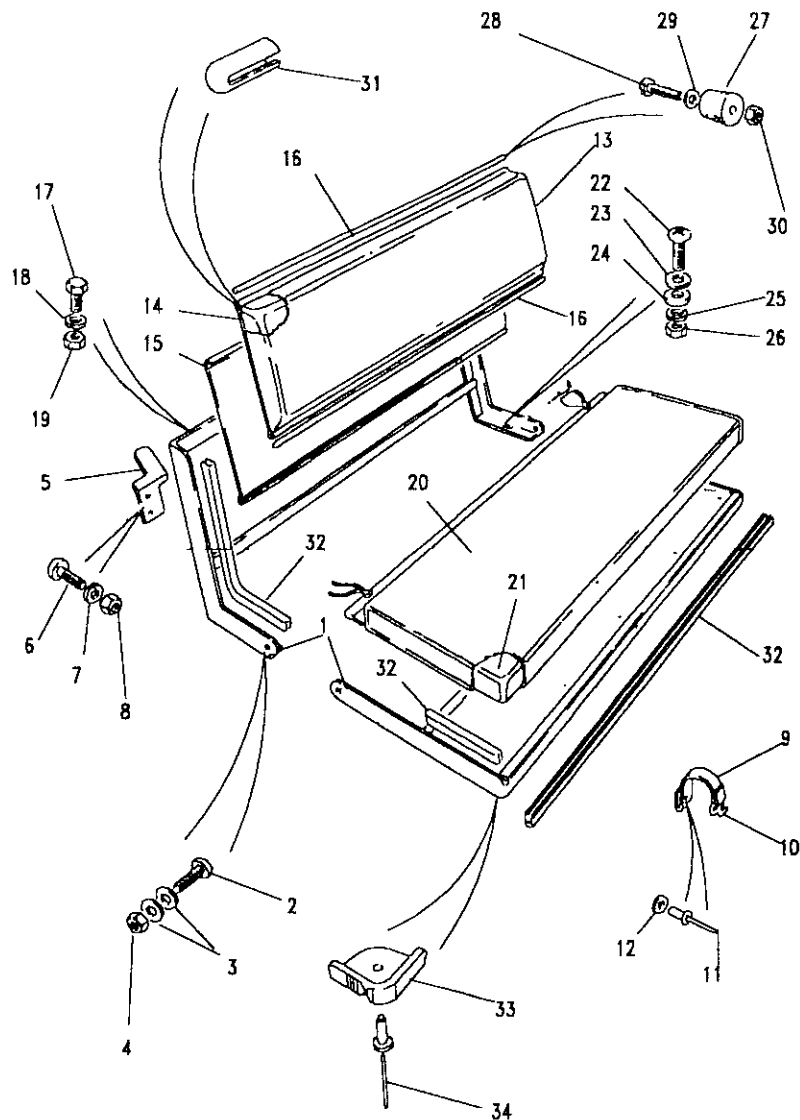


**Model** DEFENDER 110 1987 onwards  
**Page** AFRXKA1A

**REAR SEATS - INWARD FACING - TWO SEATER BENCH TYPE**

Ill. Part No.	Description	Qty	Remarks
<b>Upto introduction of 1988 Model Year</b>			
1	MTC6448	1	Seat frame
2	SE106204	2	Screw
3	AFU2651	6	Washer plain
4	NY106041L	2	Nut
5	MTC6452	1	Clip RH
	MTC6453	1	Clip LH
6	SE106164	4	Screw
7	WL106004L	4	Washer spring
8	NH106044	4	Nut
9	302648	1	Strap seat
10	301005	1	Hook
11	RU612373L	2	Rivet
12	WC702101L	2	Washer plain
<b>Seat backrest - Brushwood/Berber cloth</b>			
13	MTC4488RD	1	Backrest
<b>Seat backrest - Black vinyl</b>			
13	396739	1	Backrest





**Model** DEFENDER 110 1987 onwards  
**Page** AFRXKA1A

**REAR SEATS - INWARD FACING - TWO SEATER BENCH TYPE**

III. Part No.	Description	Qty	Remarks
14	396696 Pad	1	
15	STC1012 Panel	1	
16	301476 Rod	2	
<b>Fixings - Backrest to frame</b>			
17	SH106124 Screw	5	
18	WL106004L Washer spring	5	
19	NH106044 Nut	5	
<b>Seat cushion - Brushwood/Berber cloth</b>			
20	MWC2576RD Cushion	1	
<b>Seat cushion - Black vinyl</b>			
20	320674 Cushion	1	
21	331835 Pad	1	

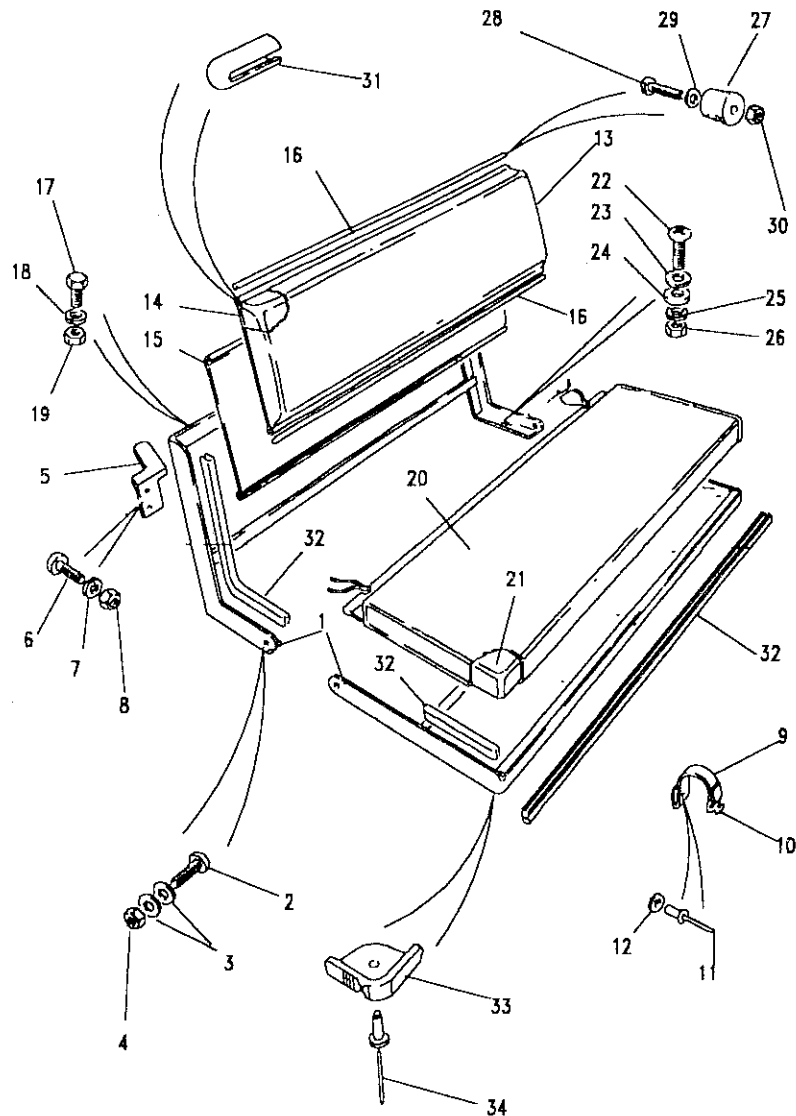




DEFENDER 110 1987 onwards

999

SEATS



**Model** DEFENDER 110 1987 onwards  
**Page** AFRXKA1A

**REAR SEATS - INWARD FACING - TWO SEATER BENCH TYPE**

**III. Part No. Description Qty Remarks**

**Fixings - Frame to wheelarch**

22	SE106201L	Screw	2	
23	MRC5528	Washer plain	2	
24	AFU1070	Washer packing	4	
25	WL106001L	Washer spring	2	
26	NH106041L	Nut	2	
27	304125	Buffer rubber	2	
28	SE105251L	Screw	2	
29	WA105001L	Washer plain	2	
30	NH105041L	Nut	2	

**Germany**

31	MTC8335	Cover edge	2	
32	MTC7513	Strip edging	A/R	
33	345683	Finisher corner	2	No longer serviced
34	RU608313L	Rivet	2	

Note(1) Quantities shown are for one seat only



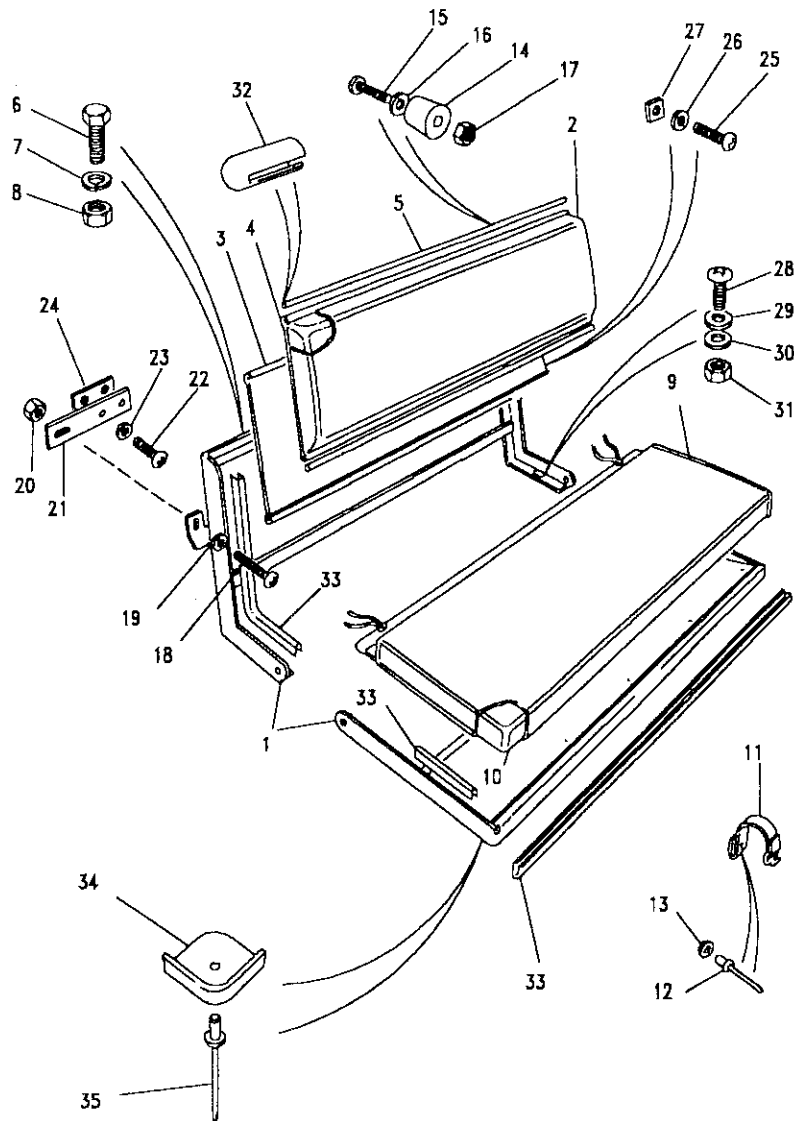




DEFENDER 110 1987 onwards

1000

SEATS



**Model** DEFENDER 110 1987 onwards  
**Page** AFRXKA2A

**REAR SEATS - INWARD FACING - TWO SEATER BENCH TYPE**

III. Part No.	Description	Qty	Remarks
<b>From 1988 Model Year VIN 314268 onwards</b>			
1	MWC4822 Seat frame	1	
2	MWC5466RCF Seat backrest - Blue Grey/Grey cloth Backrest	1	Upto Note(1)
2	MWC5466RUY Seat backrest - Moorland/Grey cloth Backrest	1	From Note(1)
	BTR2935RUY Backrest	1	From VIN HA905791
2	MWC5465LCS Seat backrest - Grey vinyl Backrest	1	Upto VIN HA905791
	BTR2934LCS Backrest	1	From VIN HA905792
3	STC1012 Panel	1	Upto VIN HA905791
4	396696 Pad	1	Upto VIN HA905791
5	301476 Rod	2	Upto VIN HA905791
<b>Fixings - Backrest to frame</b>			
6	SH106124 Screw	5	
7	WL106004L Washer spring	5	
8	NH106044 Nut	5	

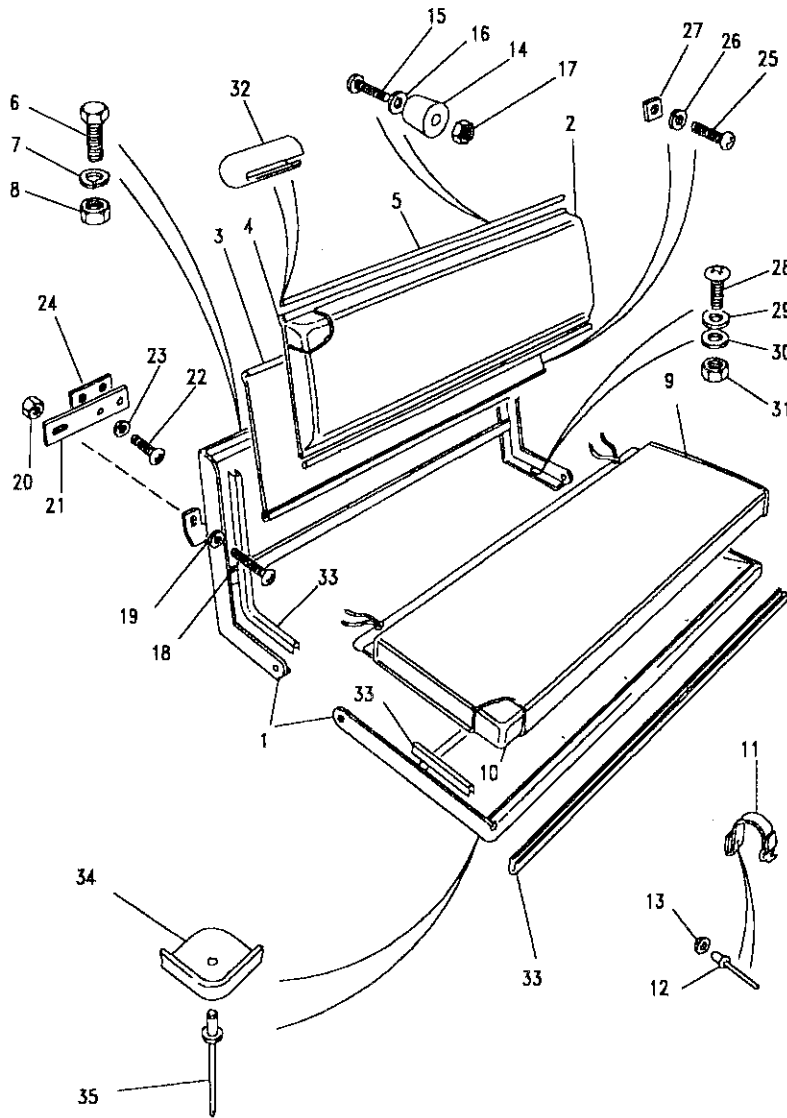




DEFENDER 110 1987 onwards

1001

SEATS

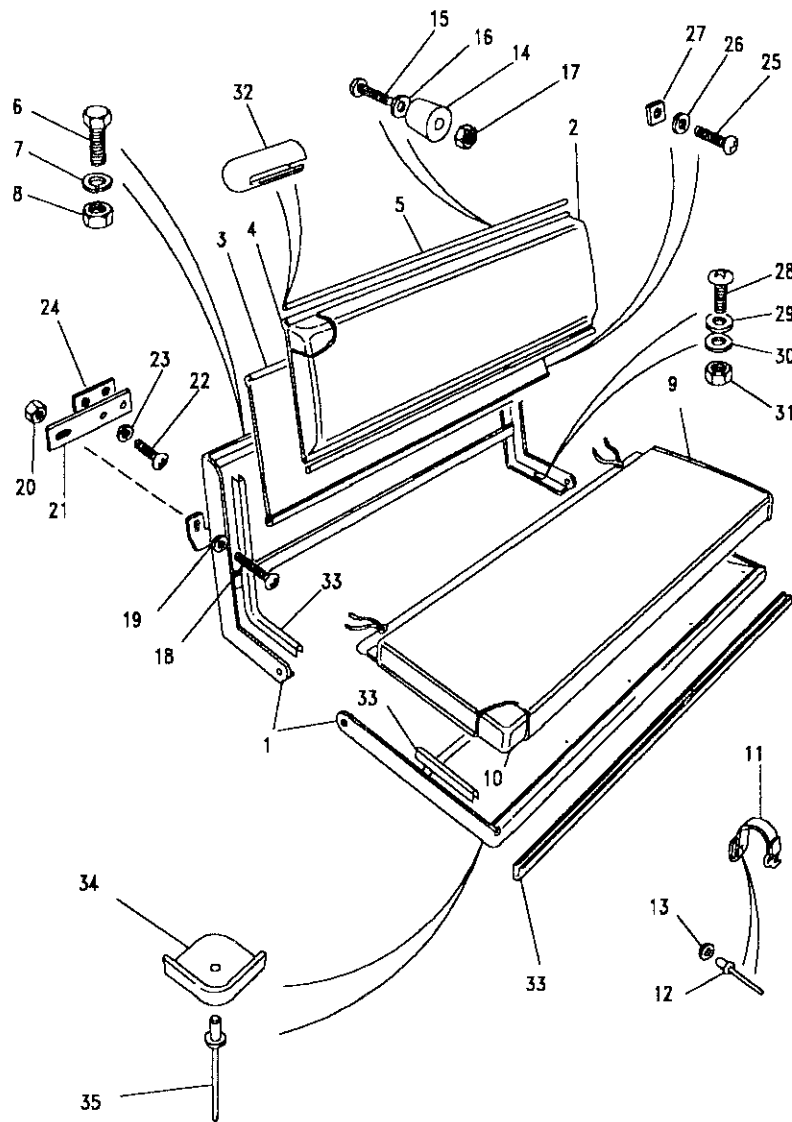


**Model** DEFENDER 110 1987 onwards  
**Page** AFRXKA2A

**REAR SEATS - INWARD FACING - TWO SEATER BENCH TYPE**

III. Part No.	Description	Qty	Remarks
<b>Seat cushion - Blue Grey/Grey cloth</b>			
9 MWC5464RCF	Cushion	1	Upto Note(1)
<b>Seat cushion - Moorland/Grey cloth</b>			
9 MWC5464RUJ	Cushion	1	From Note(1)
<b>Seat cushion - Grey vinyl</b>			
9 MWC5463LCS	Cushion	1	
10 331835	Pad	1	
11 302648	Strap	1	
12 RU612373L	Rivet	2	
13 WC702101L	Washer plain	2	
14 304125	Buffer rubber	2	
15 SE105251L	Screw	2	
16 WA105001L	Washer plain	2	
17 NH105041L	Nut	2	





Model DEFENDER 110 1987 onwards

Page AFRXKA2A

REAR SEATS - INWARD FACING - TWO SEATER BENCH TYPE

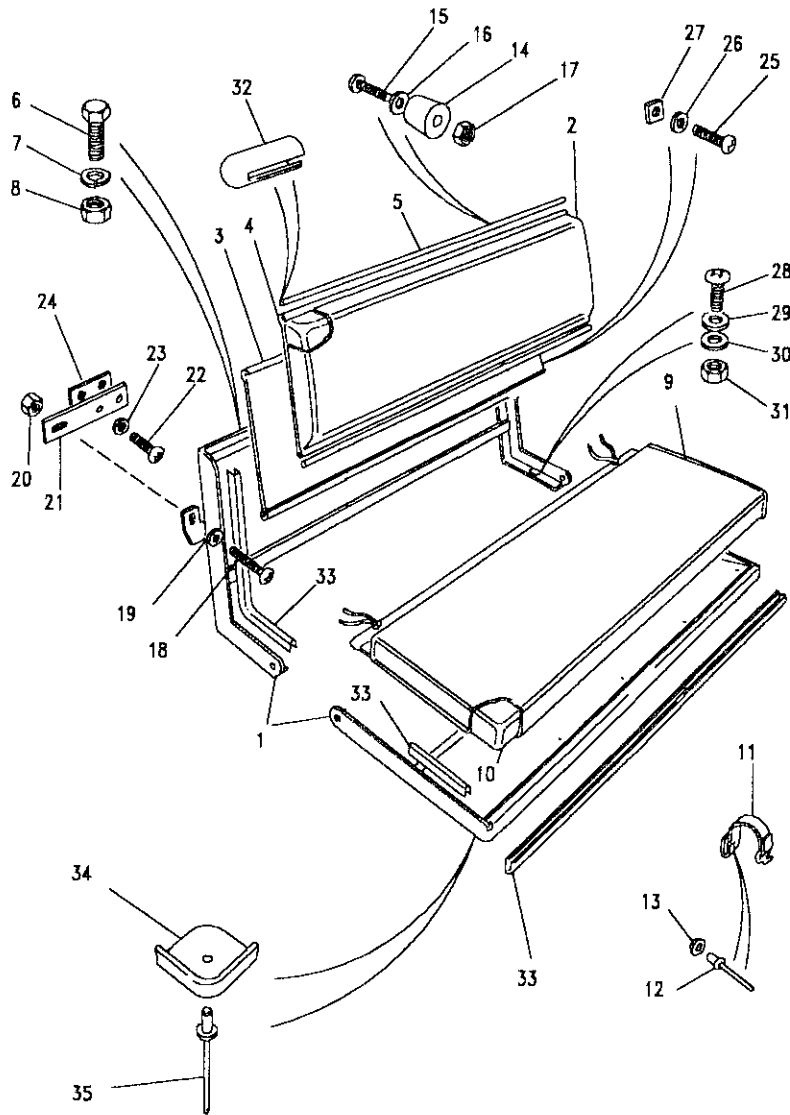
III. Part No.	Description	Qty	Remarks
<b>Fixings - Seat frame to bodyside front</b>			
18 SE106401	Screw	1	
19 WC600045L	Washer plain	1	
20 NH106041L	Nut	1	
21 MWC5661	Plate capping	1	
22 SE604051L	Screw	2	
23 WA106044L	Washer plain	2	
24 334177	Nut plate	1	
<b>Fixings - Seat frame to bodyside rear</b>			
25 SE106401	Screw	1	
26 WC600045L	Washer plain	2	
27 MTC3203	Nut plate	1	
<b>Fixings - Seat frame to wheelarch</b>			
28 SE106201L	Screw	2	
29 MRC5528	Washer plain	2	
30 AFU1070	Washer packing	2	
31 NH106041L	Nut	2	





DEFENDER 110 1987 onwards

1003 SEATS



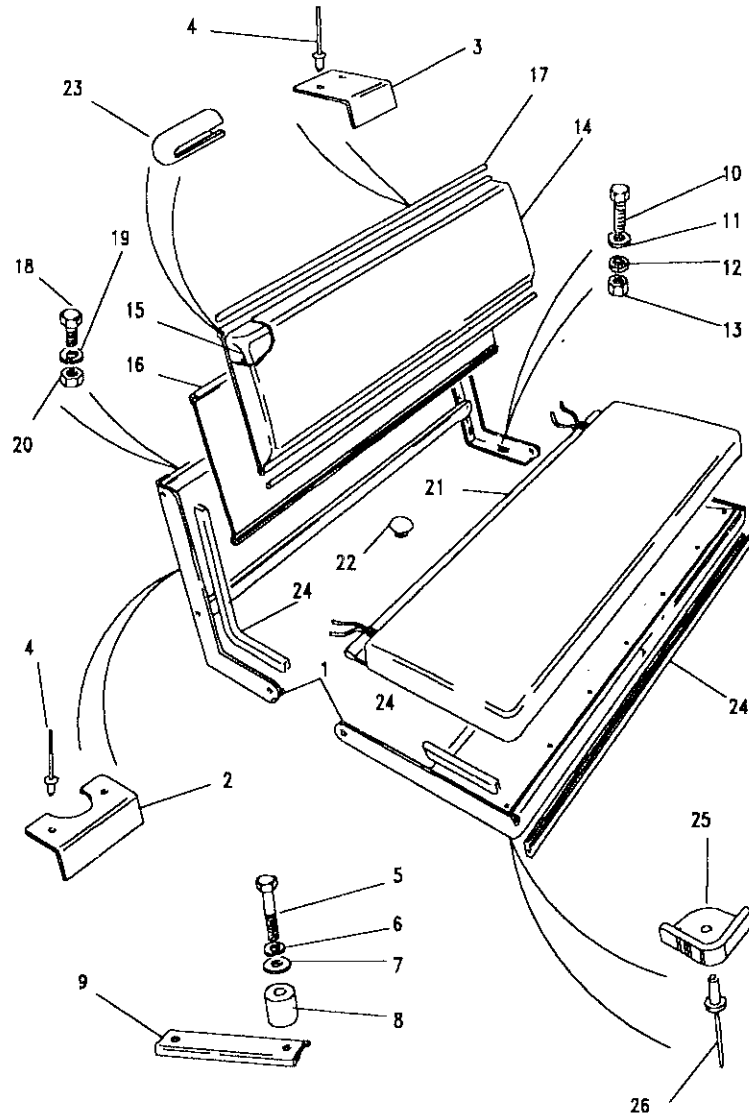
**Model** DEFENDER 110 1987 onwards  
**Page** AFRXKA2A

**REAR SEATS - INWARD FACING - TWO SEATER BENCH TYPE**

III. Part No.	Description	Qty	Remarks
<b>Germany</b>			
32 MTC8335	Cover edge	2	
33 MTC7513	Strip edging	A/R	
34 345683	Finisher corner	2	No longer serviced
35 RU608313L	Rivet	2	

Note(1) Introduction of 1991 Model Year  
 Note(2) Quantities shown are for one seat only





Model DEFENDER 110 1987 onwards  
 Page AFRXKA3A

**REAR SEATS - INWARD FACING - THREE SEATER BENCH TYPE**

Ill. Part No.	Description	Qty	Remarks
<b>Upto introduction of 1988 Model Year</b>			
1	MWC8548	1	Seat frame
2	334601	1	Bracket retaining front
3	333551	1	Bracket retaining rear
<b>Fixing - Bracket to bodyside capping</b>			
4	78248	4	Rivet
<b>Fixings - Seat frame to wheelarch front</b>			
5	FB108101	2	Bolt
6	WL108001L	2	Washer spring
7	WC108051L	2	Washer plain
8	MRC6845	2	Distance piece
9	MRC6843	1	Stiffener
<b>Fixings - Seat frame to wheelarch rear</b>			
10	FS108201L	2	Screw
11	WC108051L	2	Washer plain
12	WL108001L	2	Washer spring
13	FN108041L	2	Nut

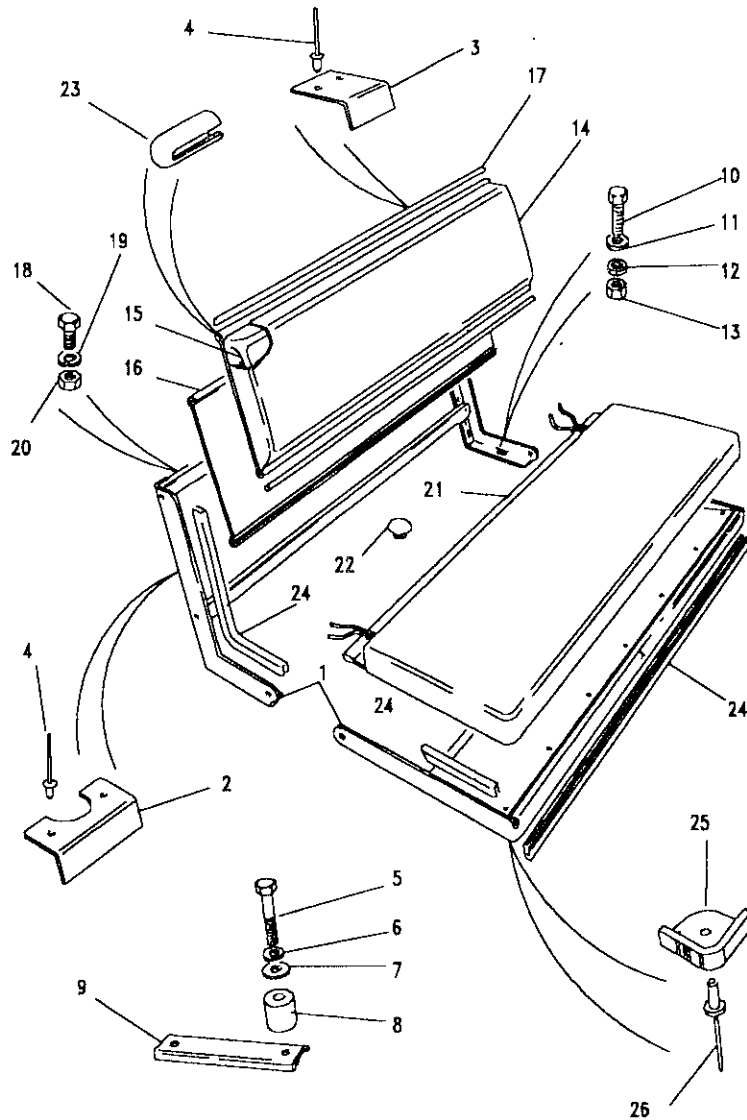






Model DEFENDER 110 1987 onwards  
Page AFRXKA3A

REAR SEATS - INWARD FACING - THREE SEATER BENCH TYPE



III. Part No.	Description	Qty	Remarks
<b>Seat cushion - Black vinyl</b>			
21 320719	Cushion	1	
<b>Redundant holes in wheelarch</b>			
22 73198	Plug	1	
<b>Germany</b>			
23 MTC8335	Cover edge	2	
24 MTC7513	Strip edging	A/R	
25 345683	Finisher corner	2	No longer serviced
26 RU608313L	Rivet	2	

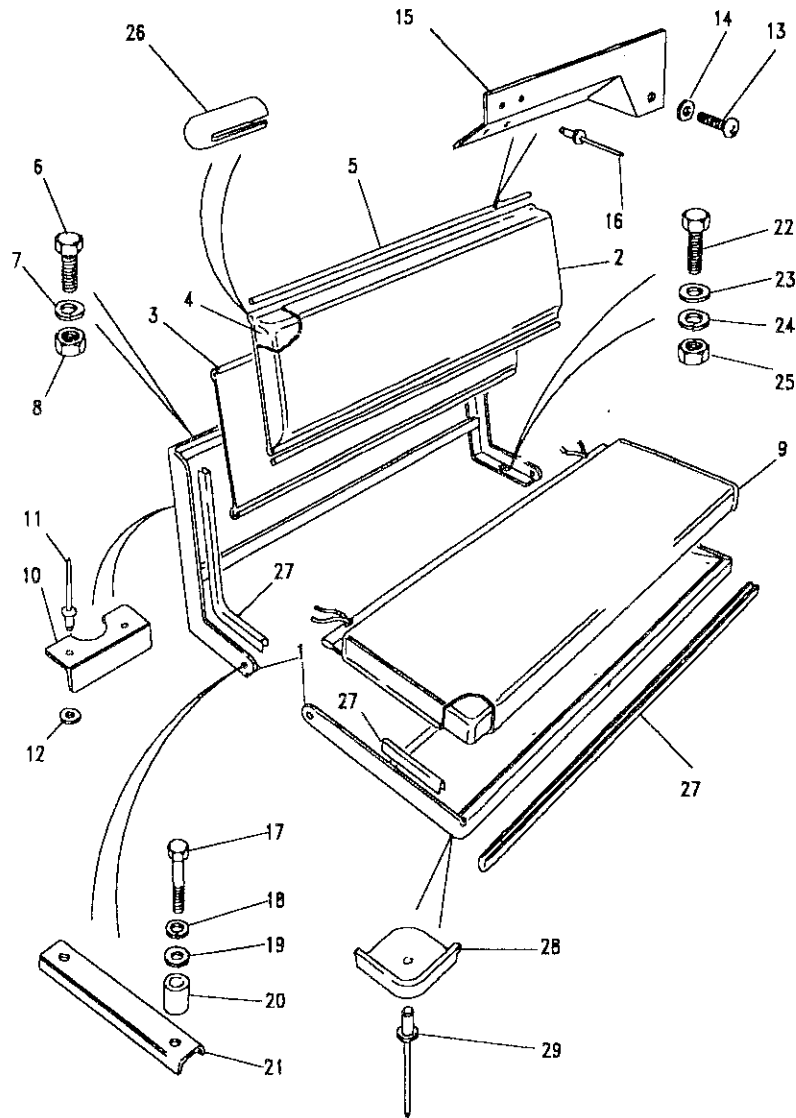
Note(1) Quantities shown are for one seat only





DEFENDER 110 1987 onwards

1007 SEATS



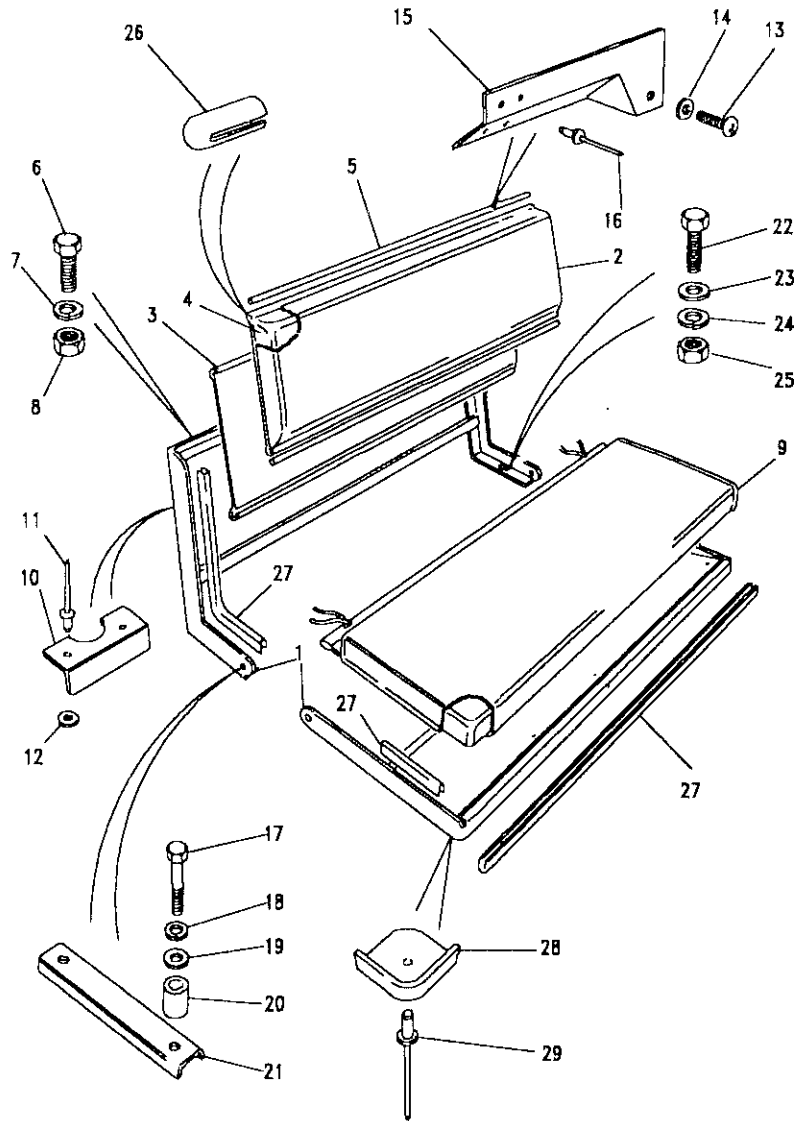
**Model** DEFENDER 110 1987 onwards  
**Page** AFRXKA4A

**REAR SEATS - INWARD FACING - THREE SEATER BENCH TYPE**

III. Part No.	Description	Qty	Remarks
<b>From 1988 Model Year VIN 314268 onwards</b>			
1 MWC8548	Seat frame RH	1	
MWC8547	Seat frame LH	1	
<b>Spanish hard top with 9 seats 1992 introduction</b>			
1 BTR5818	Seat frame LH	1	
<b>Seat backrest - Blue Grey/Grey cloth</b>			
2 MWC5494RCF	Backrest	1	Upto Note(1)
<b>Seat backrest - Moorland/Grey cloth</b>			
2 MWC5494RUY	Backrest	1	From Note(1)
BTR2937RUY	Backrest	1	Upto VIN HA906383
		1	From VIN HA906384
<b>Seat backrest - Grey vinyl</b>			
2 MWC5493LCS	Backrest	1	Upto VIN HA906383
BTR2936LCS	Backrest	1	From VIN HA906384
3 STC1013	Panel	1	Upto VIN HA906383
4 396697	Pad	1	Upto VIN HA906383
5 334540	Rod	2	Upto VIN HA906383







**Model** DEFENDER 110 1987 onwards  
**Page** AFRXKA4A

**REAR SEATS - INWARD FACING - THREE SEATER BENCH TYPE**

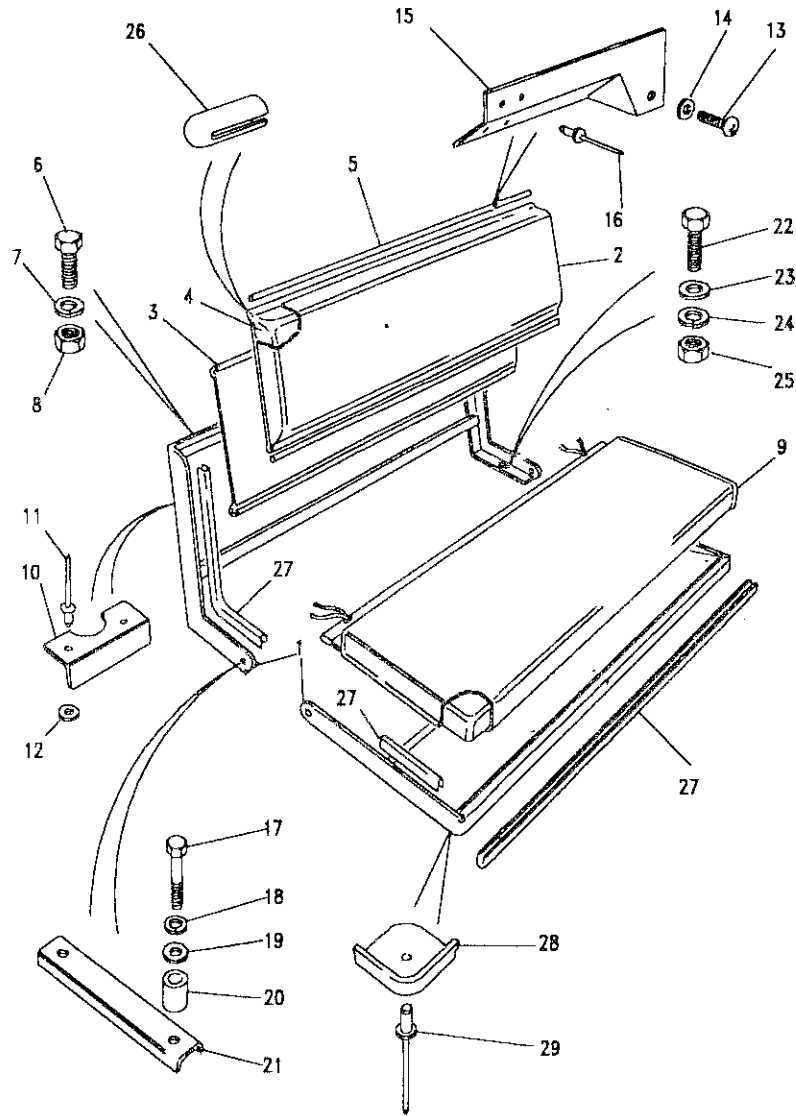
III. Part No.	Description	Qty	Remarks
<b>Fixings - Backrest to seat frame</b>			
6	SH106124 Screw	6	
7	WL106004L Washer spring	6	
8	NH106044 Nut	6	
<b>Seat cushion - Blue Grey/Grey cloth</b>			
9	MWC5492RCF Cushion	1	Upto Note(1)
<b>Seat cushion - Moorland/Grey cloth</b>			
9	MWC5492RUY Cushion	1	From Note(1)
<b>Seat cushion - Grey vinyl</b>			
9	MWC5491LCS Cushion	1	
<b>Fixings - Seat frame to bodyside front</b>			
10	334601 Bracket retaining	1	
11	RA612237 Rivet	2	
12	WA110061L Washer plain	2	





DEFENDER 110 1987 onwards

1009 SEATS



Model DEFENDER 110 1987 onwards  
Page AFRXKA4A

**REAR SEATS - INWARD FACING - THREE SEATER BENCH TYPE**

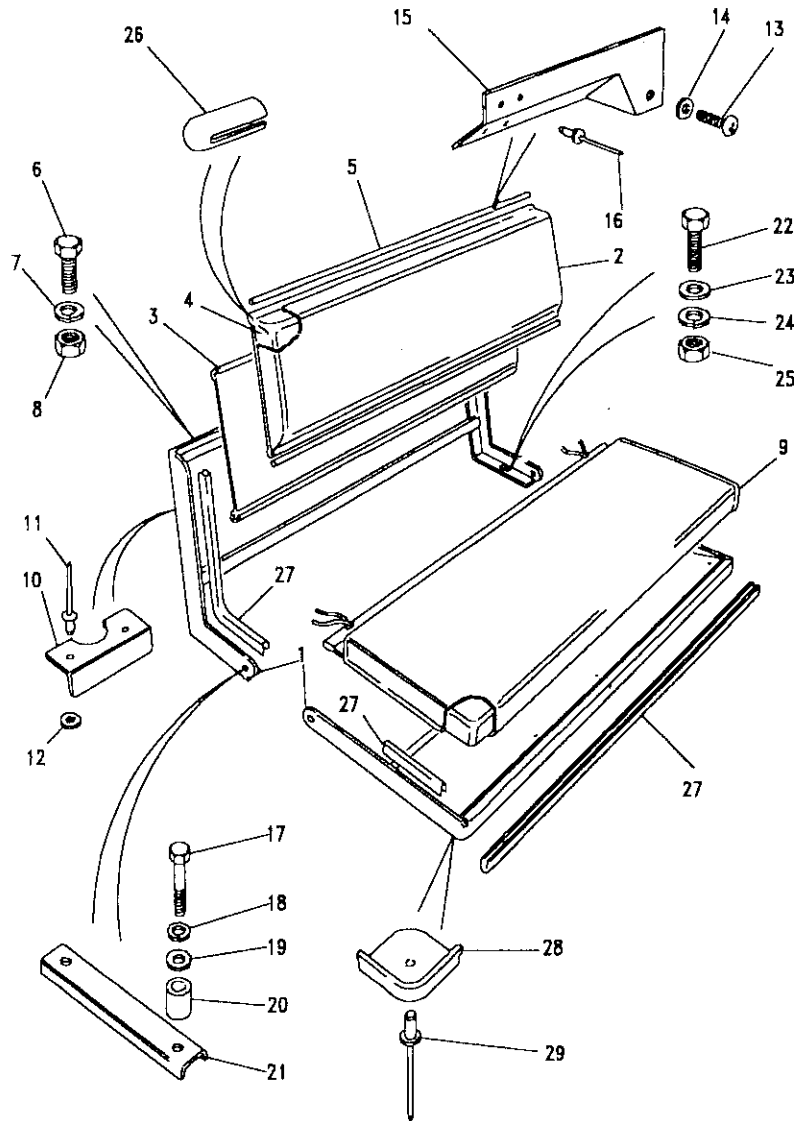
III. Part No.	Description	Qty	Remarks
<b>Fixings - Seat frame to bodyside rear</b>			
13	SE106164	1	Screw
14	WC600045L	1	Washer plain
15	MWC6924	1	Bracket capping RH
	MWC6925	1	Bracket capping LH
16	RA612157	4	Rivet
<b>Fixings - Seat frame to wheelarch front</b>			
17	FB108101	2	Bolt
18	WL108001L	2	Washer spring
19	WC108051L	2	Washer plain
20	MRC6845	2	Distance Piece
21	MRC6843	1	Stiffener
<b>Fixings - Seat frame to wheelarch rear</b>			
22	FS108201L	2	Screw
23	WC108051L	2	Washer plain
24	WL108001L	2	Washer spring
25	FN108041L	2	Nut
<b>Fixings - Seat frame to wheelarch Spanish 9 seat 1992 On</b>			
22	SE106201L	2	Screw
23	MRC5528	2	Washer plain
25	NH106041L	2	Nut
	AFU1070	2	Washer packing





Model DEFENDER 110 1987 onwards  
Page AFRXKA4A

REAR SEATS - INWARD FACING - THREE SEATER BENCH TYPE



Ill. Part No.	Description	Qty	Remarks
26	Cover edge	2	
27	Strip edging	A/R	
28	Finisher corner	2	No longer serviced
29	Rivet	2	

Note(1) Introduction of 1991 Model Year  
Note(2) Quantities shown are for one seat only





DEFENDER 110 1987 onwards

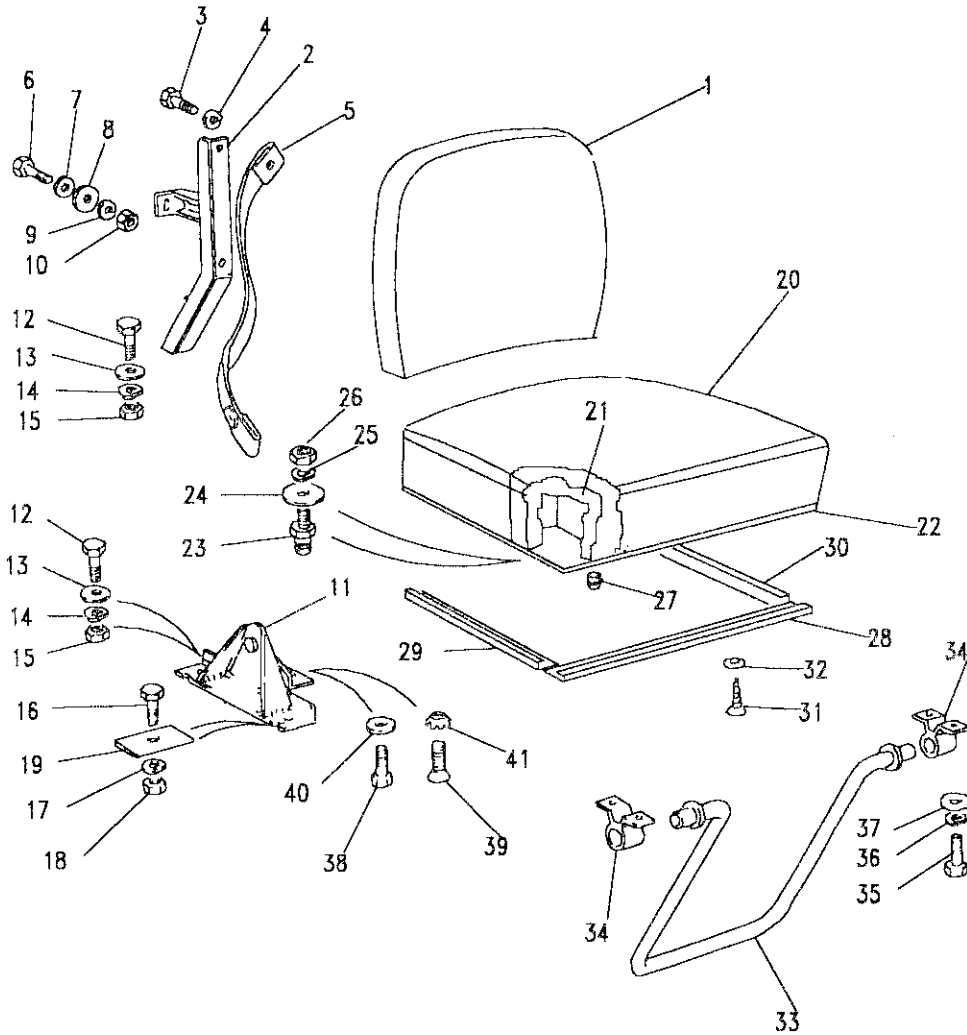
1011

SEATS

Model DEFENDER 110 1987 onwards  
Page AFRXKA5A

REAR SEATS - INWARD FACING - INDIVIDUAL

Ill. Part No.	Description	Qty	Remarks
<b>Moorland/Grey cloth</b>			
1	MWC5508RUY Backrest	4	
2	MWC8666 Support RH	4	
	MWC8667 Support LH	4	
<b>Fixings - Backrest to support</b>			
3	FS106167L Screw	16	
4	WL106001L Washer spring	16	
5	RTC6453 Strap retaining	4	





Model DEFENDER 110 1987 onwards

Page AFRXKA5A

REAR SEATS - INWARD FACING - INDIVIDUAL

III. Part No. Description Qty Remarks

Fixings - Support to capping

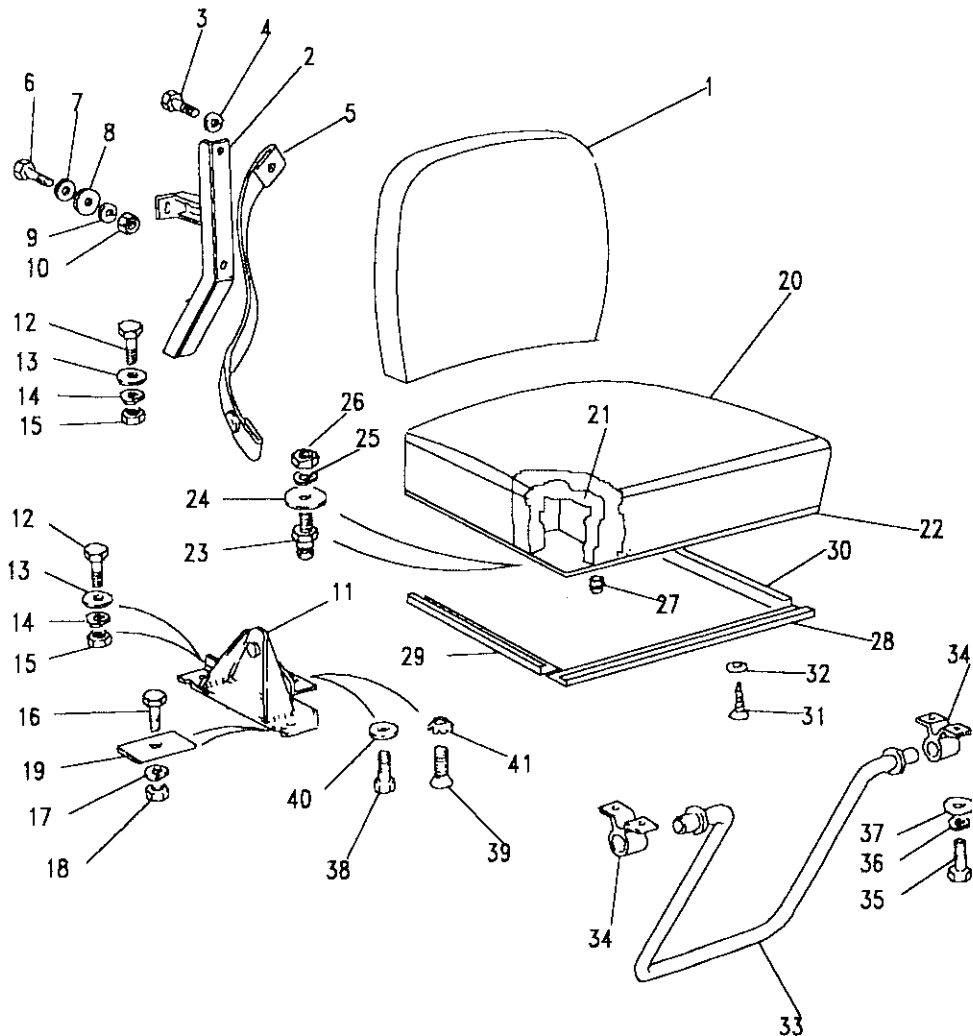
6	FS106167L	Screw	6
7	WB106041L	Washer plain	6
8	WC106041L	Washer plain	6
9	WL106001L	Washer spring	6
10	NH106041L	Nut	6
11	MUC4108	Bracket pivot RH	4
	MUC4109	Bracket pivot LH	4

Supports and outer brackets to wheelarch

12	SH604051L	Screw	16
13	WC600045L	Washer plain	16
14	WM600041L	Washer spring	16
15	NH604041L	Nut	16

Inner brackets to wheelarch

16	SH604071L	Screw	4
17	WM600041L	Washer spring	4
18	NH604041L	Nut	4
19	346804	Clamping bar	4

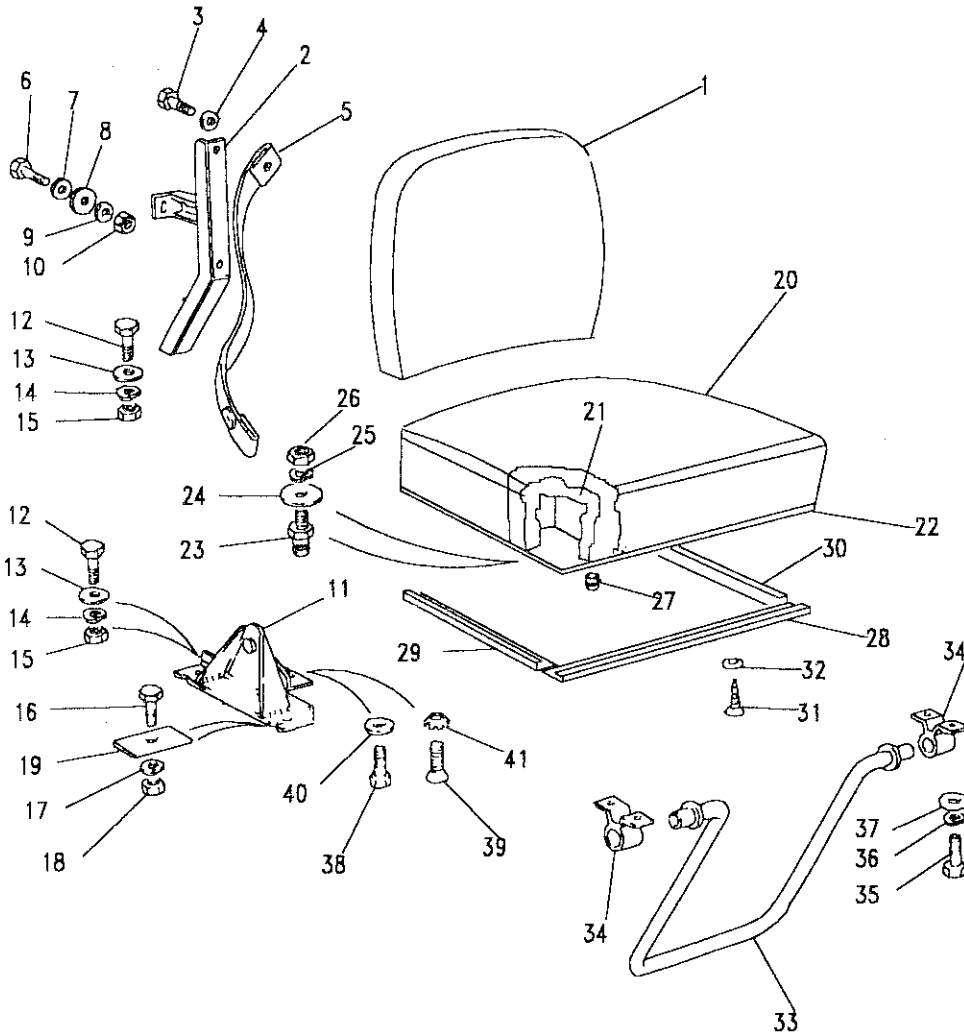




Model DEFENDER 110 1987 onwards  
Page AFRXKA5A

REAR SEATS - INWARD FACING - INDIVIDUAL

III. Part No.	Description	Qty	Remarks
<b>Moorland/Grey cloth</b>			
20 MWC5507RUY	Cushion	4	
21 349516	Interior	4	
22 306316	Panel seat base	4	
23 243618	Stud	4	
24 3852L	Washer plain	4	
25 WM702001L	Washer spring	4	
26 RTC608	Nut	4	
27 312028	Buffer rubber	4	
28 307418	Finisher	4	Front
29 307419	Finisher RH	4	Side
30 307420	Finisher LH	4	Side
31 20138	Screw	8	Finisher
20147	Screw	16	Finisher
AF608081	Screw	8	Seat base
32 WK608213	Washer cup	8	
33 MUC4083	Support tube	4	
34 90306199	Tube bearing	8	





Model DEFENDER 110 1987 onwards

Page AFRXKA5A

REAR SEATS - INWARD FACING - INDIVIDUAL

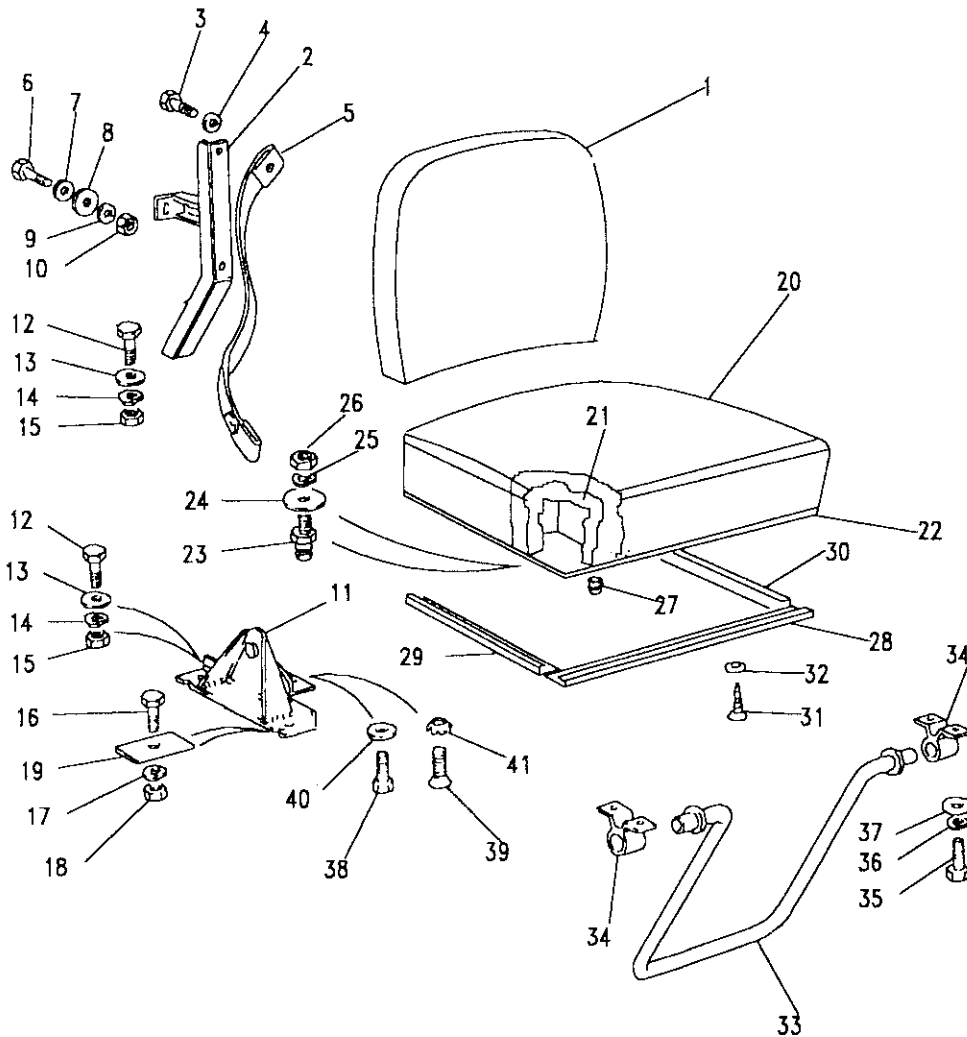
Ill. Part No.	Description	Qty	Remarks
---------------	-------------	-----	---------

Fixings - Bearing to cushion frame

35	SH604071L	Screw	16
36	WM600041L	Washer spring	16
37	WB106045	Washer plain	16

Fixings - Pivot bracket to cushion frame

38	SH604071	Screw	8
39	SF604101	Screw	8
40	WB106045	Washer plain	16
41	WH600041L	Washer shakeproof	8 Countersunk





DEFENDER 110 1987 onwards

1015

SEATS

**Model** DEFENDER 110 1987 onwards  
**Page** AFRXKA6A

**REAR SEATS - INWARD FACING - DEFENDER 130**

III. Part No.	Description	Qty	Remarks
RRC2485	Seat assembly slatted	2	







DEFENDER 110 1987 onwards

1016

SEATS

**Model** DEFENDER 110 1987 onwards  
**Page** AFRXPA1A

**SAFETY HARNESS - FRONT SEAT OUTER**

**III. Part No. Description Qty Remarks**

**Full Length Hood vehicle only**

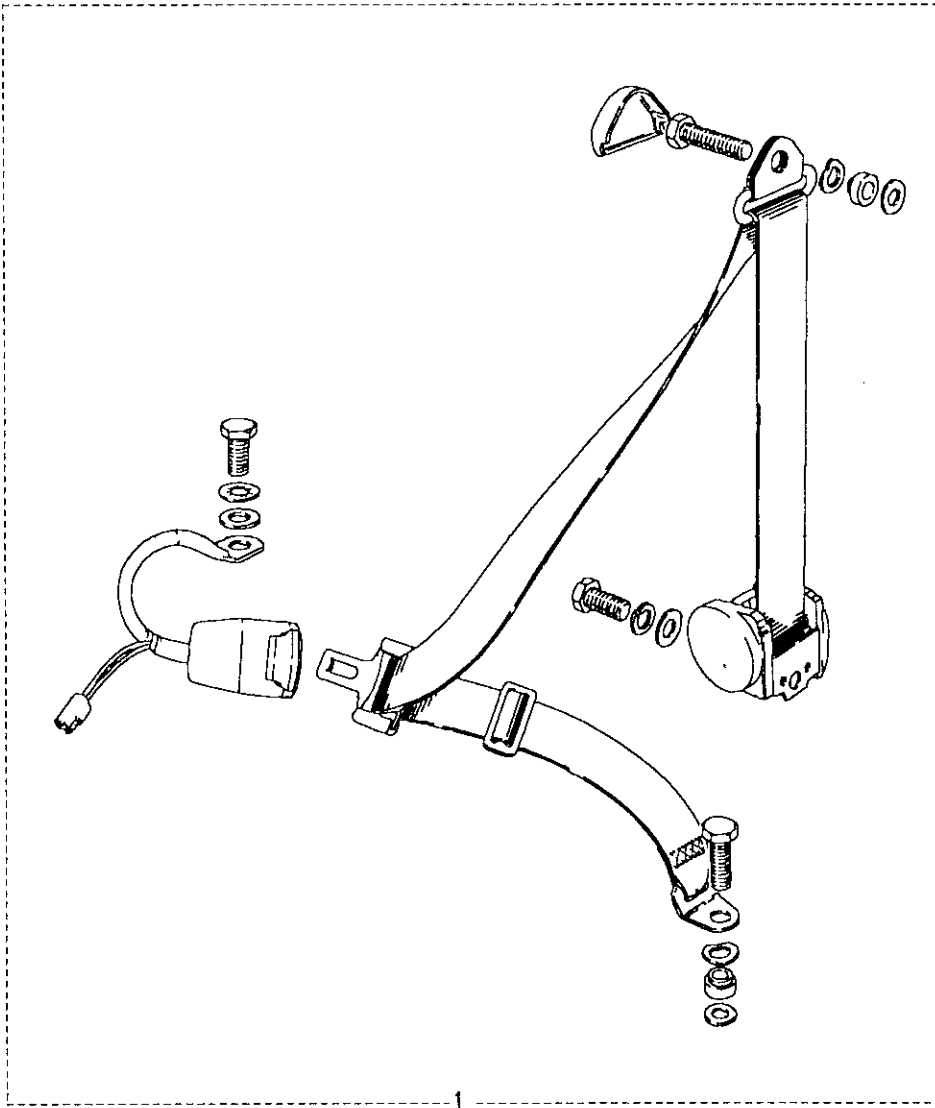
1	RTC6105	Seat belt RH	1	Upto VIN KA924692
	AWR2002	Seat belt RH	1	)
	BTR4372	Buckle assembly RH	1	)From VIN KA924693
	BTR1884PMA	Cap for bolt	2	)
	STC1180	Kit fixings	1	)
1	RTC6106	Seat belt LH	1	Upto VIN KA924692
	AWR2001	Seat belt LH	1	)
	BTR4373	Buckle assembly LH	1	)From VIN KA924693
	BTR1884PMA	Cap for bolt	2	)
	STC1180	Kit fixings	1	)
1	MUC9419	Seat belt LH	1	Audible warning

**Station Wagon only**

1	MXC5492	Seat belt RH	1	Upto VIN KA924692
	AWR2002	Seatbelt RH	1	)
	BTR4372	Buckle assembly RH	1	)From VIN KA924693
	BTR1884PMA	Cap for bolt	2	)
	STC1180	Kit fixings	1	)
1	MXC5493	Seat belt LH	1	Upto VIN KA924692
	AWR2001	Seat belt LH	1	)
	BTR4373	Buckle assembly LH	1	)From VIN KA924693
	BTR1884PMA	Cap for bolt	2	)
	STC1180	Kit fixings	1	)

**Fixings for AWR2001/2**

	WL106001L	Washer plain	1	
	SH106251L	Setscrew	1	
	NH106041L	Nut	2	
	MRC5527	Plain washer	1	





DEFENDER 110 1987 onwards

1017 SEATS

Model DEFENDER 110 1987 onwards

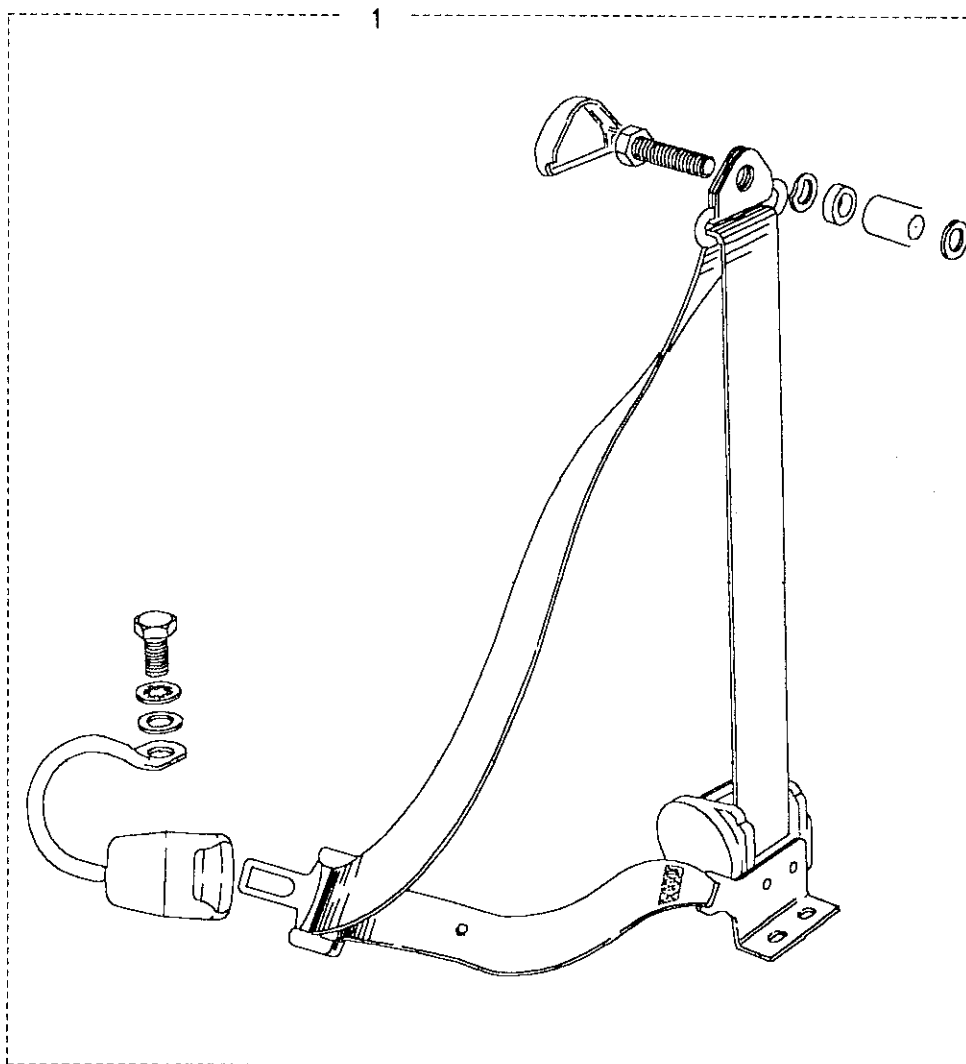
Page AFRXPA1B

SAFETY HARNESS - FRONT SEAT OUTER MA939976 On

III. Part No. Description Qty Remarks

Full Length Hood Vehicles

Part No.	Description	Qty	Remarks
1 BTR8410	Seat belt RH	1	
BTR8411	Seat belt LH	1	
BTR4372	Buckle assembly RH	1	
BTR4373	Buckle assembly LH	1	
BTR1884PMA	Cap for bolt	2	





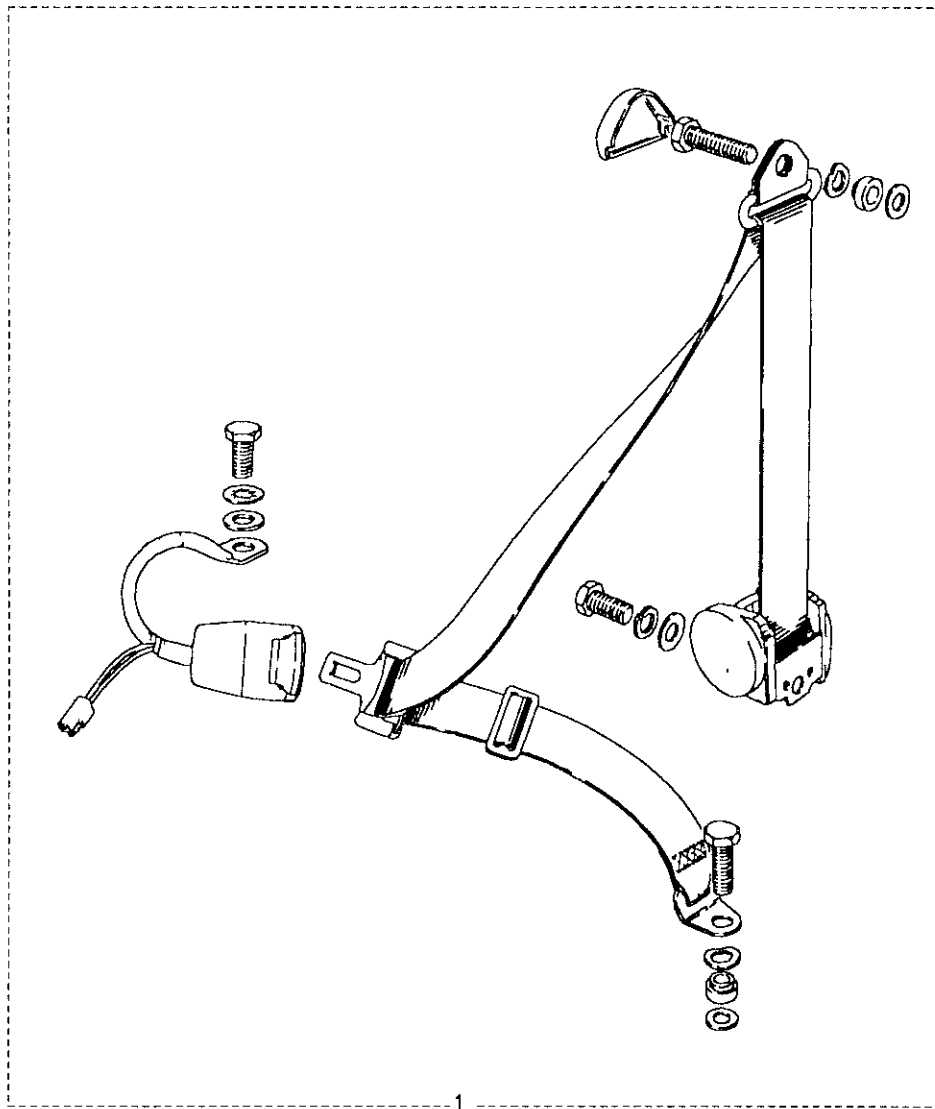
Model DEFENDER 110 1987 onwards

Page AFRXPA1A

## SAFETY HARNESS - FRONT SEAT OUTER

III. Part No.	Description	Qty	Remarks
<b>Station Wagon only</b>			
1 MXC5491	Seat belt LH	1	Audible warning Upto VIN KA924692
AWR2001	Seat belt LH	1	) From VIN KA924693
MXC5509	Buckle assembly LH	1	
BTR1884PMA	Cap for bolt	2	)
STC1180	Kit fixings	1	
AFU2875	Clip retaining	2	) On seatbase
AB610051L	Screw	4	
<b>Cab and Hard Top - Upto VIN EA352029 - Note(1)</b>			
1 MXC5492	Seat belt RH	1	Audible warning
MXC5493	Seat belt LH	1	
MXC5491	Seat belt LH	1	
<b>Defender 130 - 1991 model year</b>			
1 MXC5492	Seat belt RH	1	Audible warning
MXC5493	Seat belt LH	1	
MXC5491	Seat belt LH	1	

Note(1) From VIN EA352030 - see page 1019 - 1020





DEFENDER 110 1987 onwards

1019 SEATS

Model DEFENDER 110 1987 onwards  
Page AFRXPA2A

**SAFETY HARNESS - FRONT SEATS OUTER**

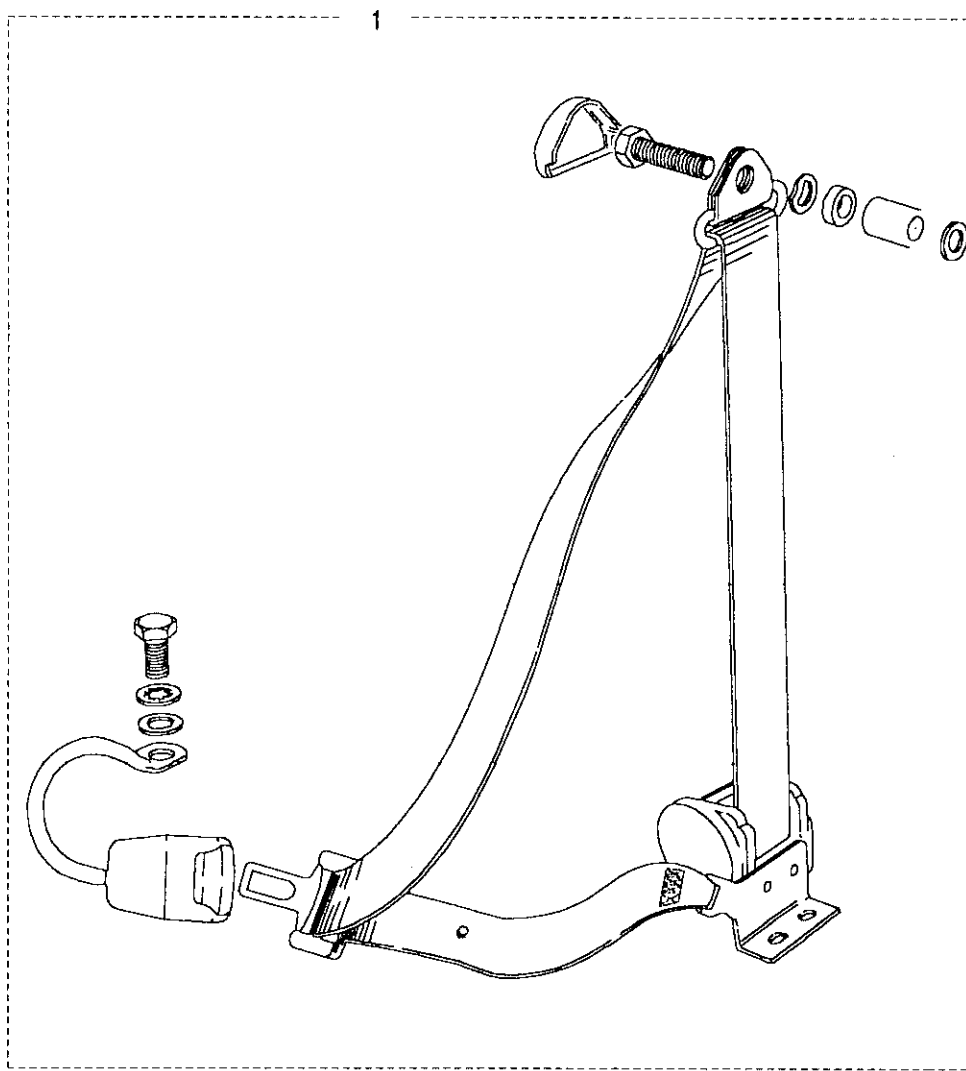
III. Part No. Description Qty Remarks

**Cab and Hard Top - From VIN EA352030**

1	MXC5488	Seat belt RH	1	Upto VIN KA924692
	BTR6562	Seat belt RH	1	)
	BTR4372	Buckle assembly RH	1	)From VIN KA924693
	BTR1884PMA	Cap for bolt	2	)
	STC1180	Kit fixings	1	)
1	MXC5489	Seat belt LH	1	Upto VIN KA924692
	BTR6561	Seat belt LH	1	)
	BTR4373	Buckle assembly LH	1	)From VIN KA924693
	BTR1884PMA	Cap for bolt	2	)
	STC1180	Kit fixings	1	)
1	MWC8615	Seat belt LH	1	Audible warning
				Upto VIN KA924692
	BTR6561	Seat belt LH	1	)
	MXC5509	Buckle assembly LH	1	)From VIN KA924693
	BTR1884PMA	Cap for bolt	2	)
	STC1180	Kit fixings	1	)

**Australia - Chassis Cab - Tdi**

1	BTR4376	Seat belt RH	1	From VIN JA907021
				Upto VIN KA924692
	BTR6562	Seat belt RH	1	)
	BTR4372	Buckle assembly RH	1	)From VIN KA924693
	BTR1884PMA	Cap for bolt	2	)
	STC1180	Kit fixings	1	)





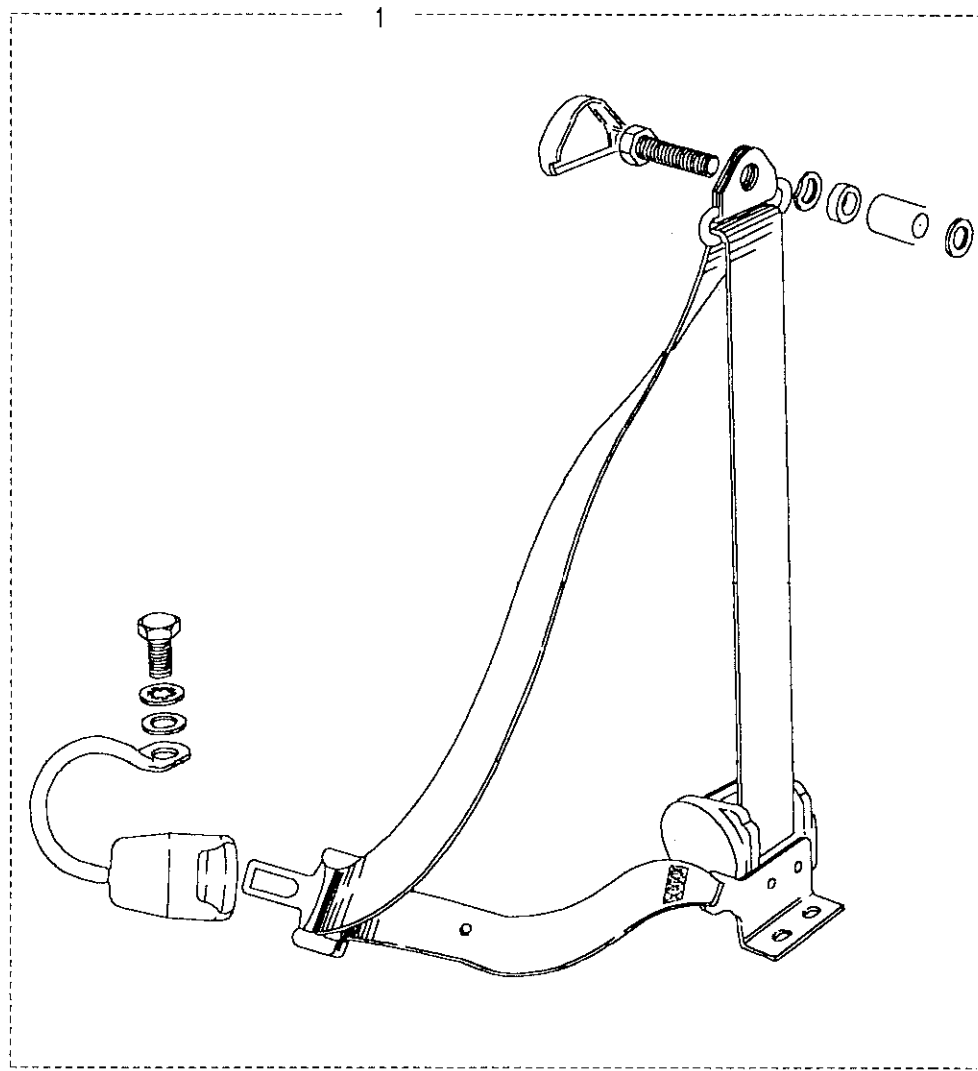
DEFENDER 110 1987 onwards

1020 SEATS

Model DEFENDER 110 1987 onwards  
Page AFRXPA2A

SAFETY HARNESS - FRONT SEATS OUTER

III. Part No.	Description	Qty	Remarks
Australia - Chassis Cab - Tdi			
1 BTR4377	Seat belt LH	1	From VIN JA907021 Upto VIN KA924692
BTR6561	Seat belt LH	1	)
BTR4373	Buckle assembly LH	1	)From VIN KA924693
BTR1884PMA	Cap for bolt	2	)
STC1180	Kit fixings	1	)
AFU2875	Clip restraining	2	On seatbase
AB610051L	Screw	4	





DEFENDER 110 1987 onwards

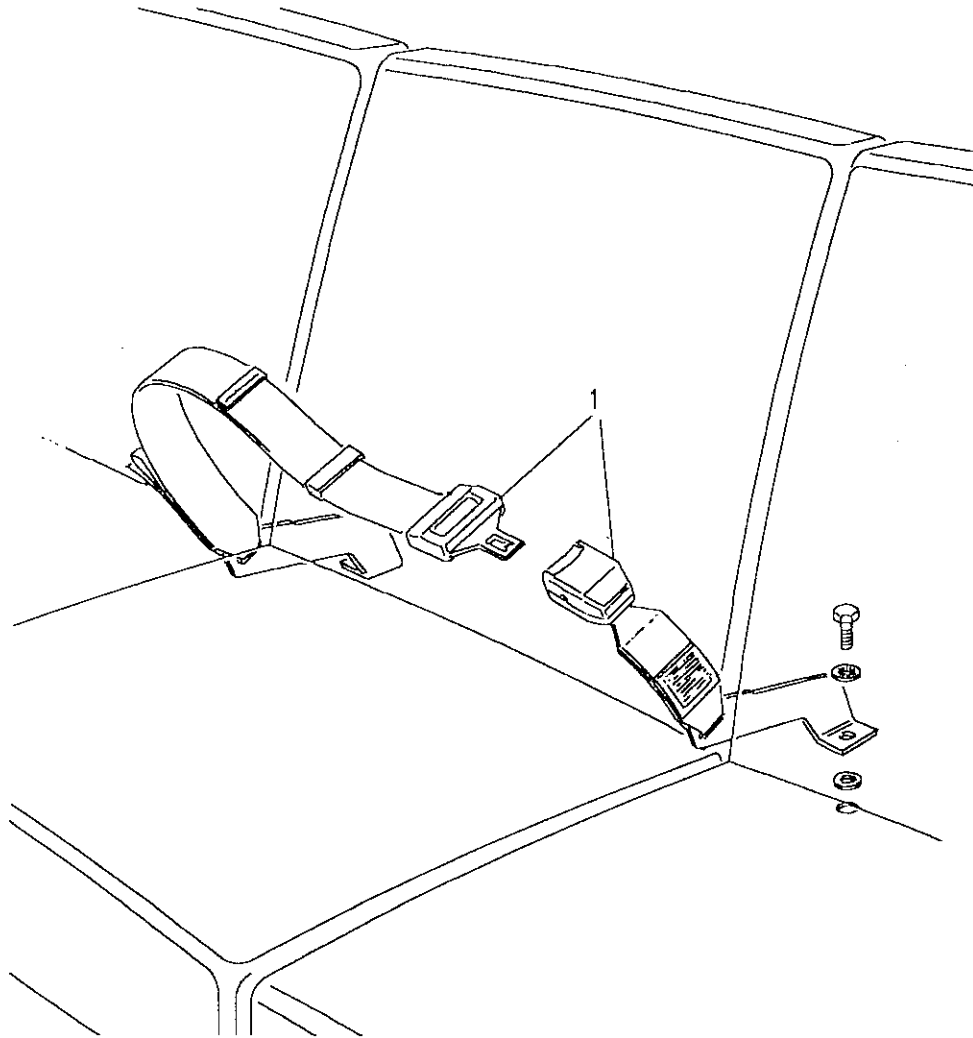
1021

SEATS

**Model** DEFENDER 110 1987 onwards  
**Page** AFRXPA4A

**SAFETY HARNESS - FRONT SEAT CENTRE**

Ill. Part No.	Description	Qty	Remarks
1 MXC2537	Lap strap	1	Upto VIN KA924692
BTR4348	Lap belt	1	)
BTR4346	Buckle lap belt	1	)From VIN KA924693
BTR4347	Tongue lap belt	1	)
STC1180	Kit fixings	1	)
<b>Defender 130</b>			
1 MXC2537	Lap strap	1	Upto VIN KA924692
BTR4348	Lap belt	1	)
BTR4346	Buckle lap belt	1	)From VIN KA924693
BTR4347	Tongue lap belt	1	)
STC1180	Kit fixings	1	)
<b>Australia - Chassis Cab - Tdi</b>			
1 BTR4348	Lap belt	1	From VIN JA907021
BTR4346	Buckle lap belt	1	)
BTR4347	Tongue lap belt	1	)
STC1180	Kit fixings	1	)





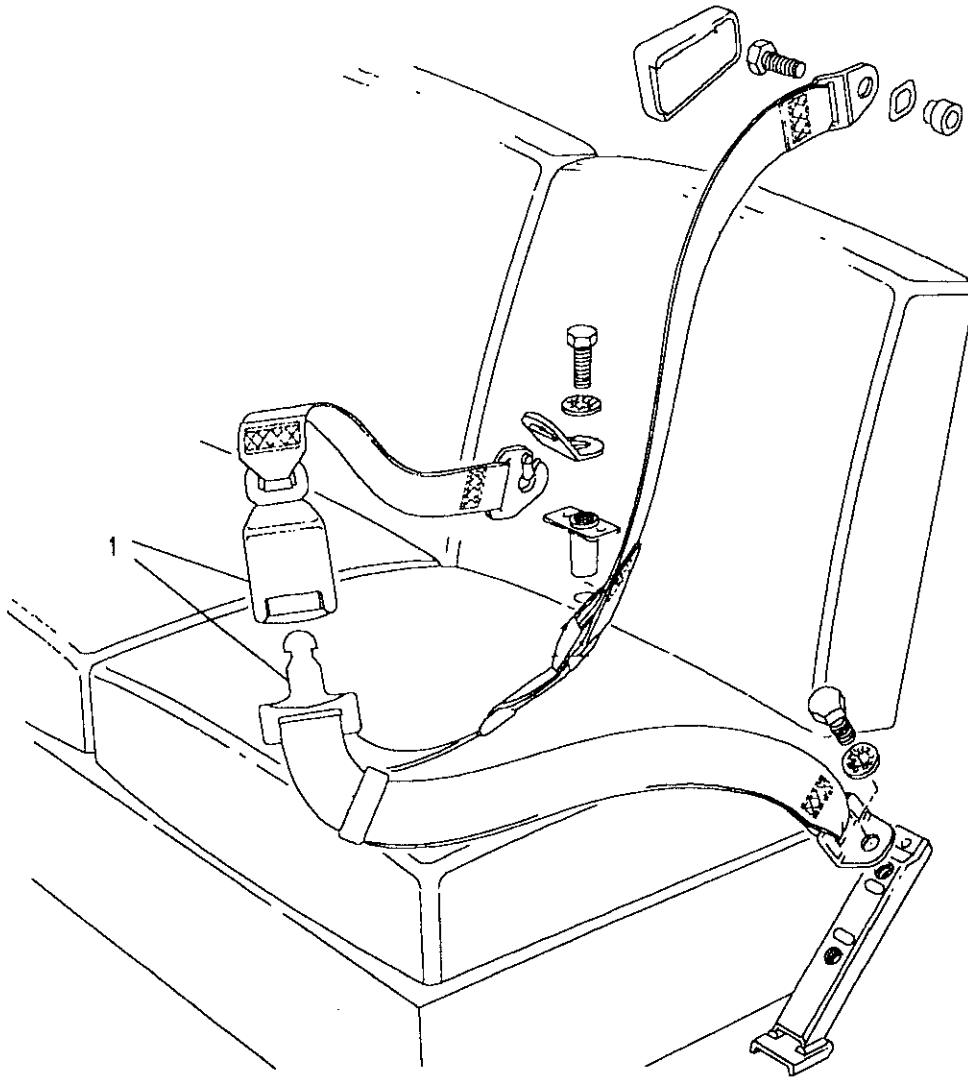
DEFENDER 110 1987 onwards

1022 SEATS

Model DEFENDER 110 1987 onwards  
Page AFRXPC1A

**SAFETY HARNESS - REAR FORWARD FACING SEATS - OUTER**

III. Part No.	Description	Qty	Remarks
1 STC79	Seat belt	2	Static type



**Model** DEFENDER 110 1987 onwards

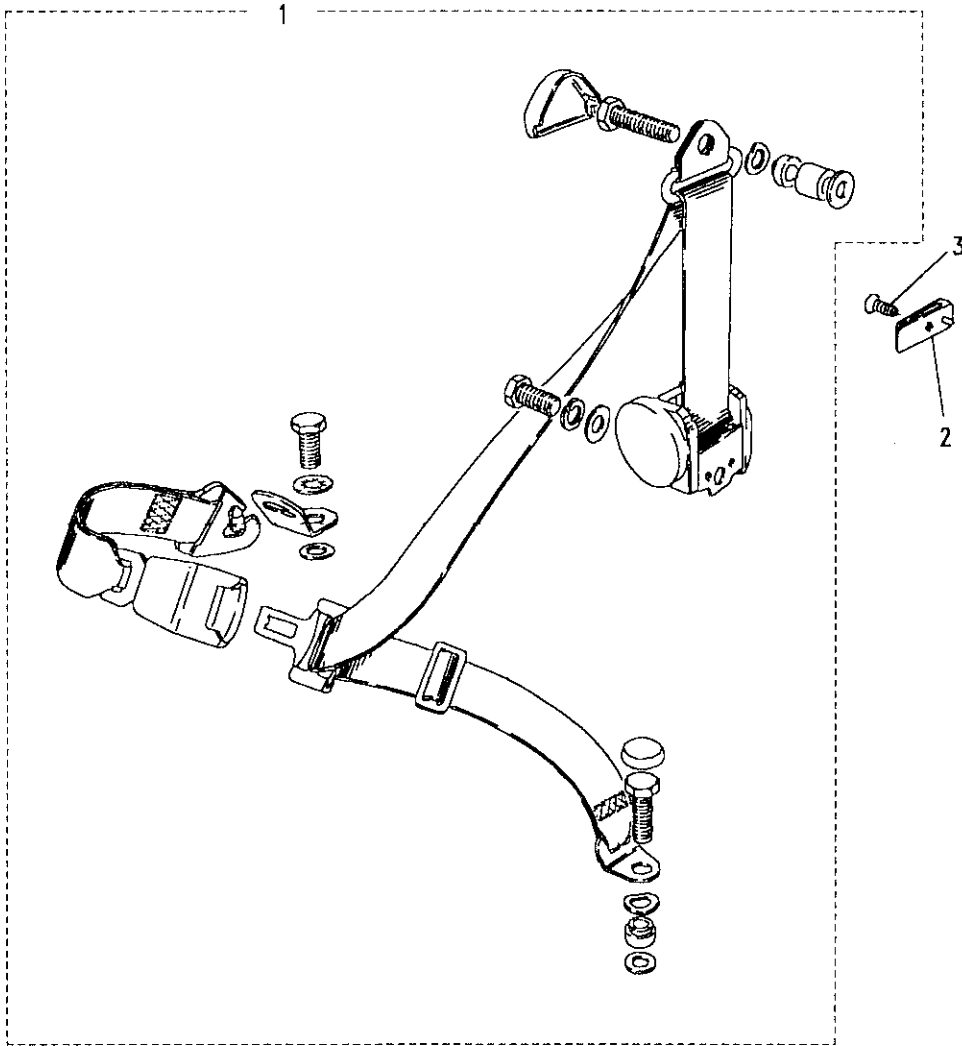
**Page** AFRXPC2A

**SAFETY HARNESS - REAR FORWARD FACING SEATS - OUTER**

III. Part No.	Description	Qty	Remarks
1 BTR304	Seat belt	2	Upto VIN KA924692
BTR5779	Seat belt	2	)
MXC5521	Buckle assembly	2	)From VIN KA924693
BTR1884PMA	Cap for bolt	4	)
2 MWC1055PMA	Stowage clip	2	
3 AC606044L	Screw	2	

**Defender 130 - 1991 model year**

1 MXC5488	Seat belt RH	1	Upto VIN KA924692
BTR6562	Seat belt RH	1	)
BTR4372	Buckle assembly RH	1	)From VIN KA924693
BTR1884PMA	Cap for bolt	2	)
STC1180	Fixing kit	1	)
1 MXC5489	Seat belt LH	1	Upto VIN KA924692
BTR6561	Seat belt LH	1	)
BTR4373	Buckle assembly LH	1	)From VIN KA924693
BTR1884PMA	Cap for bolt	2	)
STC1180	Fixing kit	1	)
AFU2875	Clip retaining	2	
AB610051L	Screw	4	





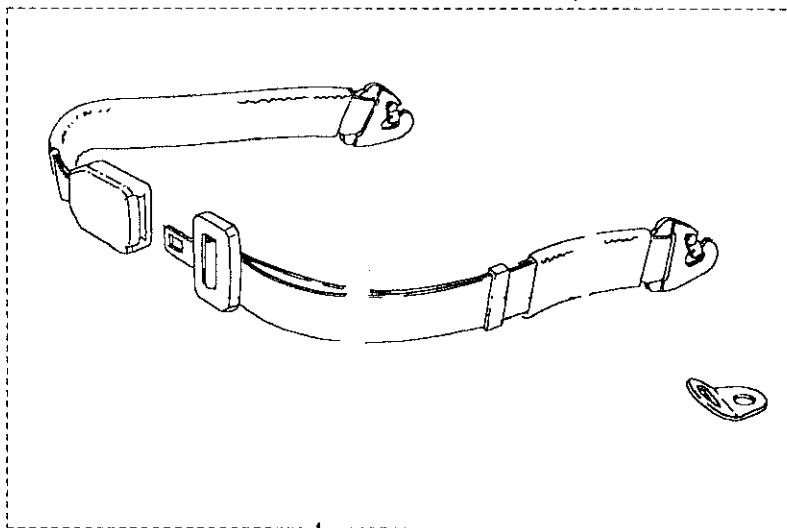


DEFENDER 110 1987 onwards

1024 SEATS

Model DEFENDER 110 1987 onwards  
Page AFRXPC3A

**SAFETY HARNESS - REAR FORWARD FACING SEATS - CENTRE**

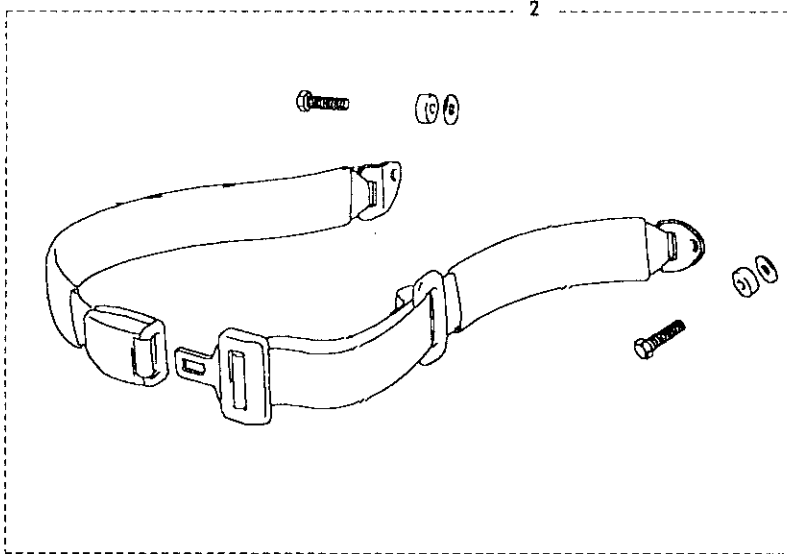


III. Part No.	Description	Qty	Remarks
1 MXC5497	Lap strap	1	Upto VIN KA924692
BTR5782	Lap belt-tongue	1	From VIN KA924693
BTR5781	Lap belt-buckle	1	From VIN KA924693

**Defender 130 - 1991 Model year**  
1 BTR1155 Lap strap 1

**Defender 130 - MA945908 On**  
2 AWR1587 Lap strap 1

Note(1) BTR5782 is a buckle & tongue  
Note(2) BTR5781 is a buckle & buckle





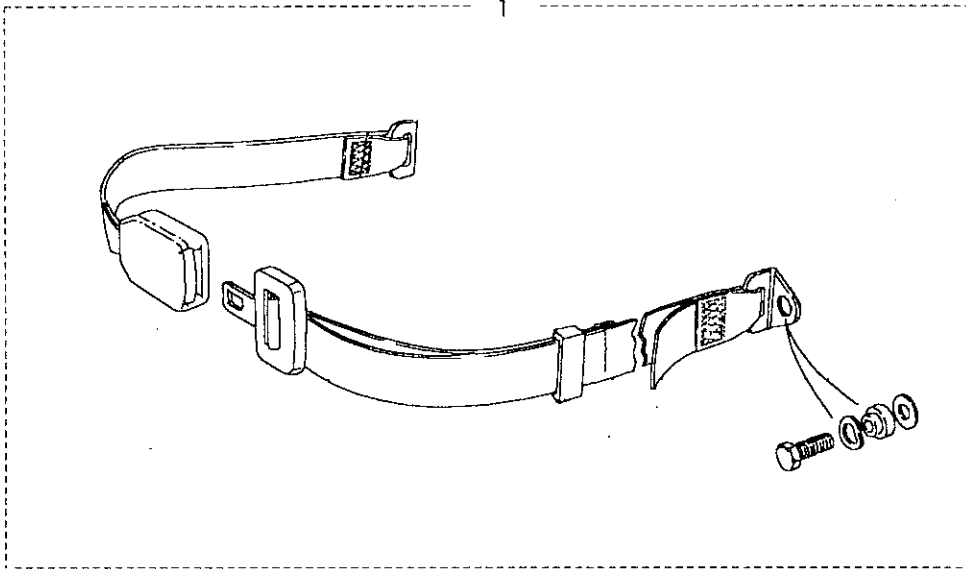
DEFENDER 110 1987 onwards

1025 SEATS

**Model** DEFENDER 110 1987 onwards  
**Page** AFRXPE1A

**SAFETY HARNESS - REAR INWARD FACING SEATS**

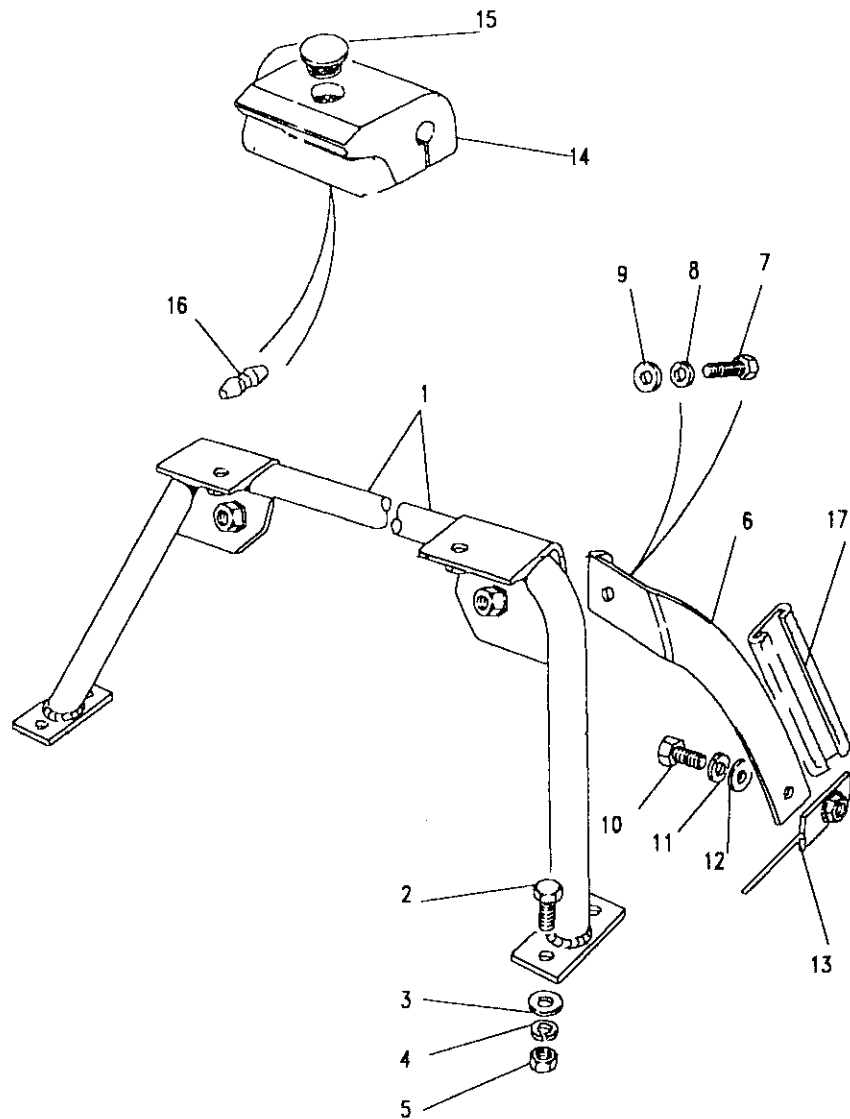
III. Part No.	Description	Qty	Remarks
1 MXC5495	Lap strap	4	
<b>Six inward facing seats option from 09/05/94</b>			
2 BTR9626	Tongue seat belt	6	
3 BTR9884	Buckle centre seat	2	
BTR9625	Buckle seat belt	4	





**Model** DEFENDER 110 1987 onwards  
**Page** AFRXRA1A

**SAFETY HARNESS - FRONT SEATS - ANCHORAGE RAIL.**



**III. Part No. Description Qty Remarks**

**Soft Top Only**

Part No.	Description	Qty	Remarks
1	MRC7354	1	Rail anchorage
2	FS108251L	4	Screw
3	WA108051L	4	Washer plain
4	WL108001L	4	Washer spring
5	FN108041L	4	Nut
6	MRC199	1	Tie bar RH
	MRC200	1	Tie bar LH
7	SH112251	2	Screw
8	WL112001L	2	Washer spring
9	WA112081L	2	Washer plain
10	SH110201	2	Screw
11	WL110001L	2	Washer spring
12	WA110061L	2	Washer plain
13	MRC7610	2	Nut Plate
14	MRC8329	1	Finishing cap RH
	MRC8330	1	Finishing cap LH
15	MRC8389	4	Plug
16	MRC8390	14	Fixing Lug
	MRC8392	1	Cover tie bar RH
17	MRC8393	1	Cover tie bar LH





DEFENDER 110 1987 onwards

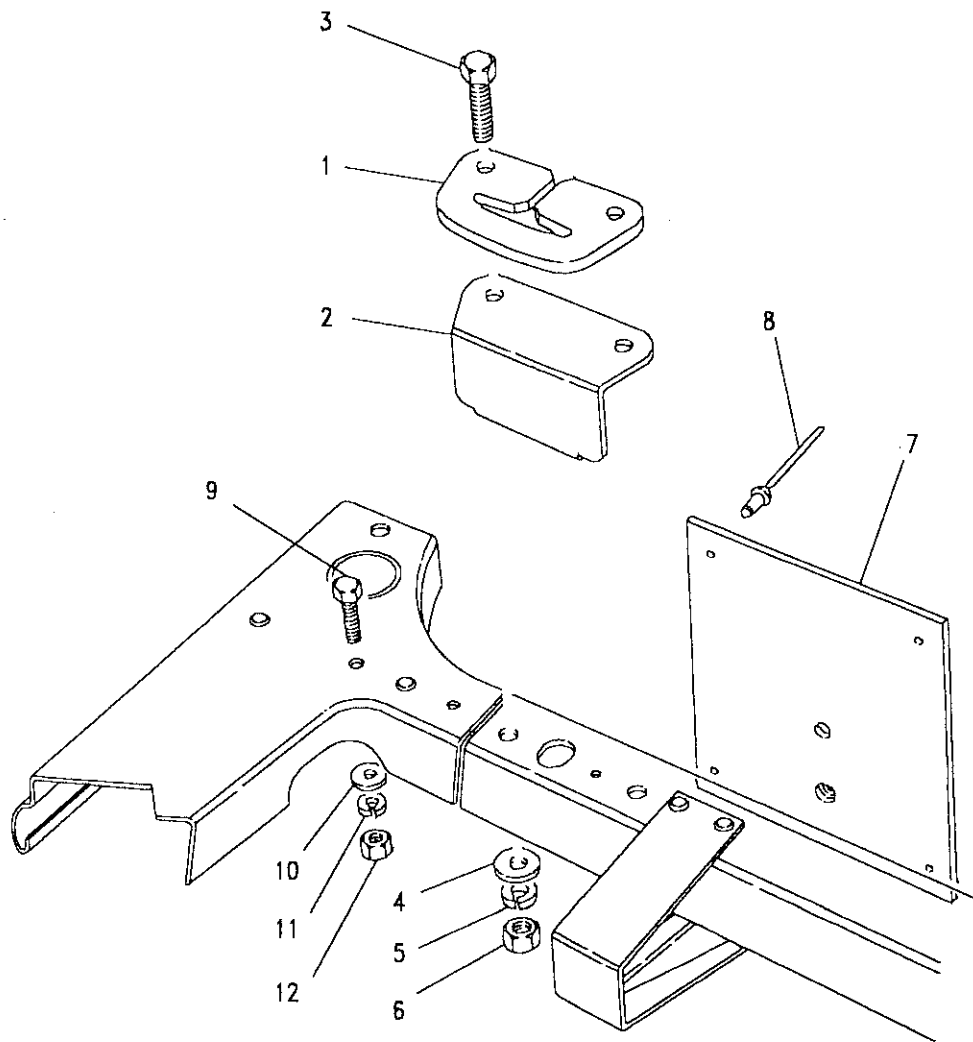
1027

SEATS

Model DEFENDER 110 1987 onwards

Page AFRXRA2A

**SAFETY HARNESS - FRONT SEATS - HARNESS GUIDE.**



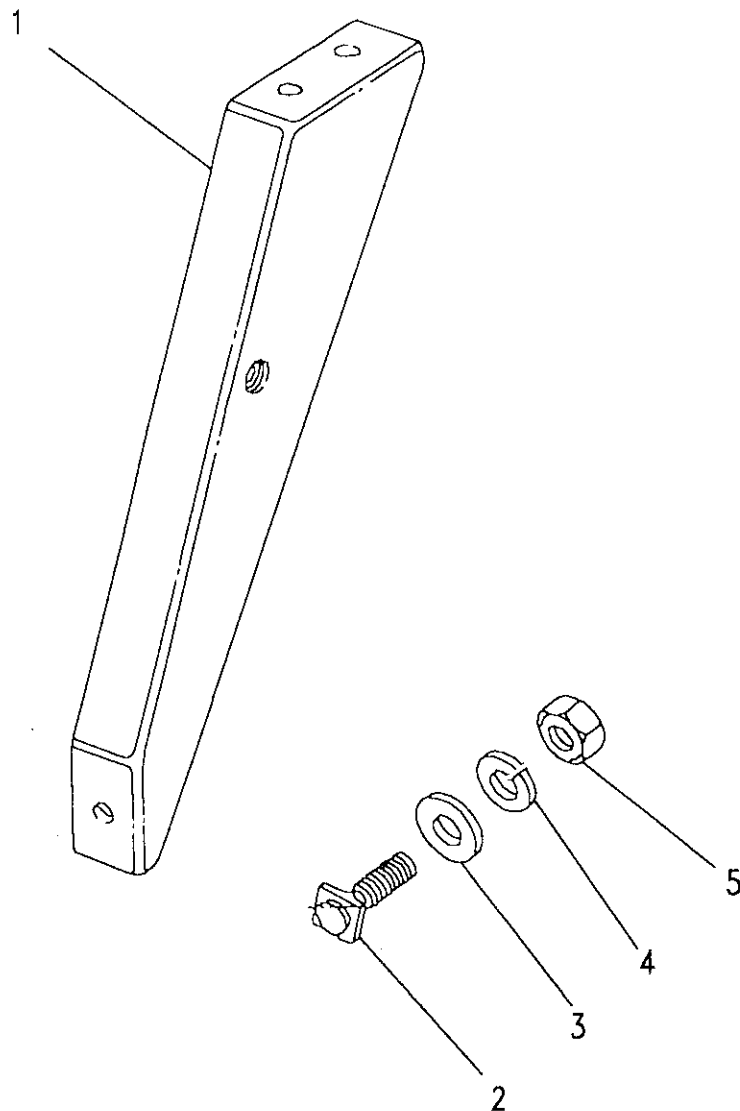
III. Part No.	Description	Qty	Remarks
<b>Soft Top Only</b>			
1	MRC7755	2	Guide
2	345937	2	Plate guide
3	BH605101L	4	Bolt
4	WA108051L	4	Washer plain
5	WL600051	4	Washer spring
6	NH605041L	4	Nut
7	MTC1631	2	Plate reinforcement
8	RU612373L	8	Rivet
9	SH106201	8	Screw
10	MRC5524	8	Washer plain
11	WL106001L	8	Washer spring
12	NH106041L	8	Nut





DEFENDER 110 1987 onwards

1028 SEATS



**Model** DEFENDER 110 1987 onwards  
**Page** AFRXRA3A

**SAFETY HARNESS - FRONT SEATS - SHOULDER ANCHORAGE.**

III. Part No.	Description	Qty	Remarks
<b>Hard Top Only</b>			
1 395586	Bracket mounting RH	1	
395587	Bracket mounting LH	1	
2 MRC7626	Bolt Plate	2	
3 WB106041L	Washer plain	2	
4 WL106001L	Washer spring	2	
5 NH106041L	Nut	2	

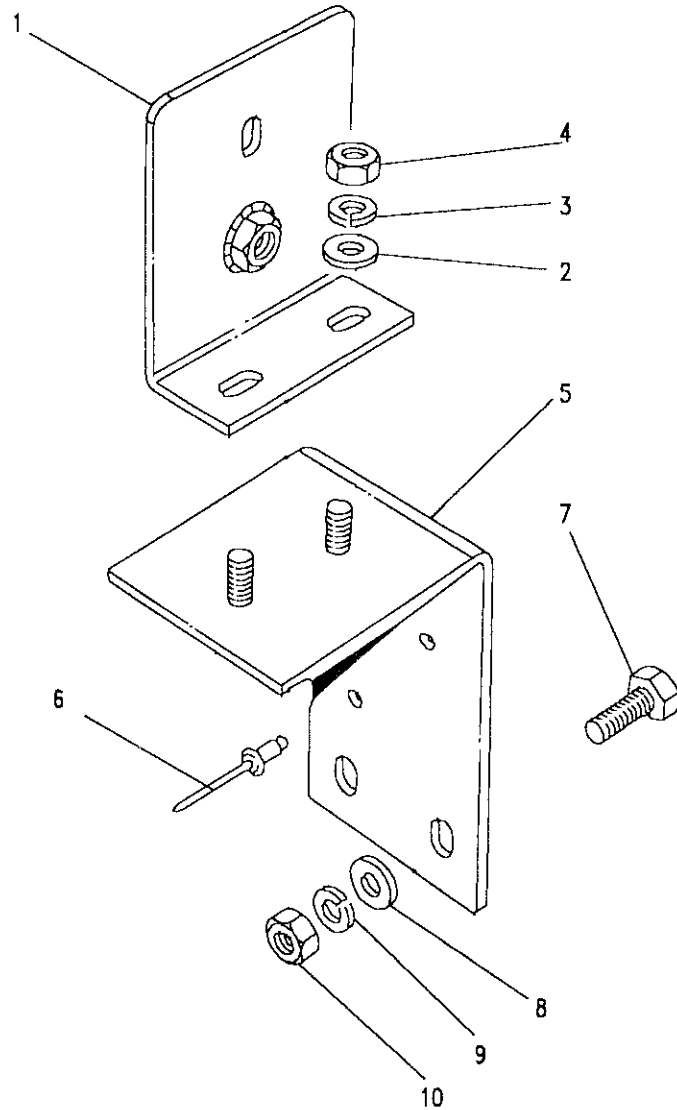




DEFENDER 110 1987 onwards

1029

SEATS



**Model** DEFENDER 110 1987 onwards  
**Page** AFRXRA4A

**SAFETY HARNESS - FRONT SEATS - INERTIA REEL MOUNTING.**

III. Part No.	Description	Qty	Remarks
<b>Chassis Cab &amp; Hard Top Only</b>			
1	MTC4090	2	Bracket mounting
2	WC108051L	4	Washer plain
3	WL108001L	4	Washer spring
4	FN108041L	4	Nut
5	MRC8524	2	Bracket mounting
6	RA612347	4	Rivet
7	FS108251L	4	Screw
8	WA108051L	4	Washer plain
9	WL108001L	4	Washer spring
10	FN108041L	4	Nut





DEFENDER 110 1987 onwards

1030

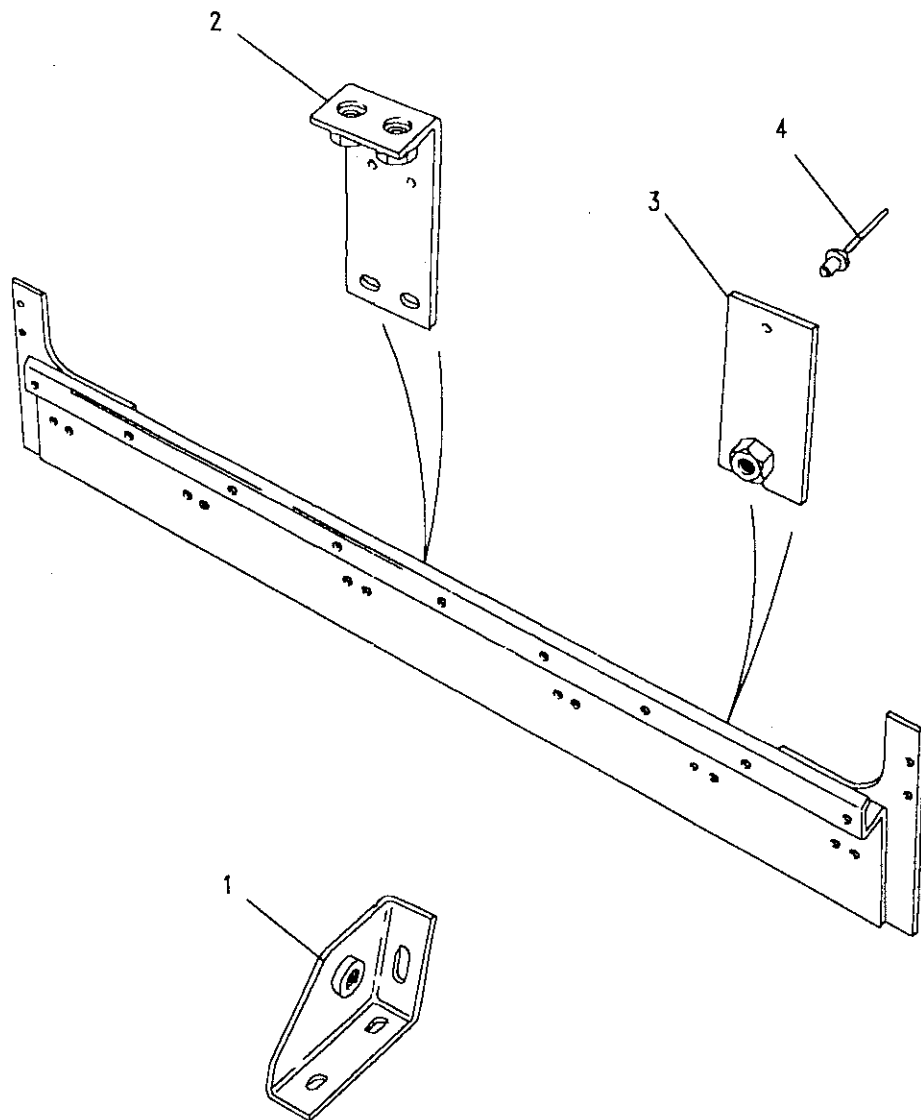
SEATS

Model DEFENDER 110 1987 onwards

Page AFRXRA5A

SAFETY HARNESS ANCHORAGES - FRONT SEATS - STATION WAGON

III. Part No.	Description	Qty	Remarks
1 345100	Gusset sill RH	1	
345101	Gusset sill LH	1	
2 395249	Bracket mounting	2	
3 MRC4731	Nut Plate	2	
4 RU612373L	Rivet	2	





Model DEFENDER 110 1987 onwards

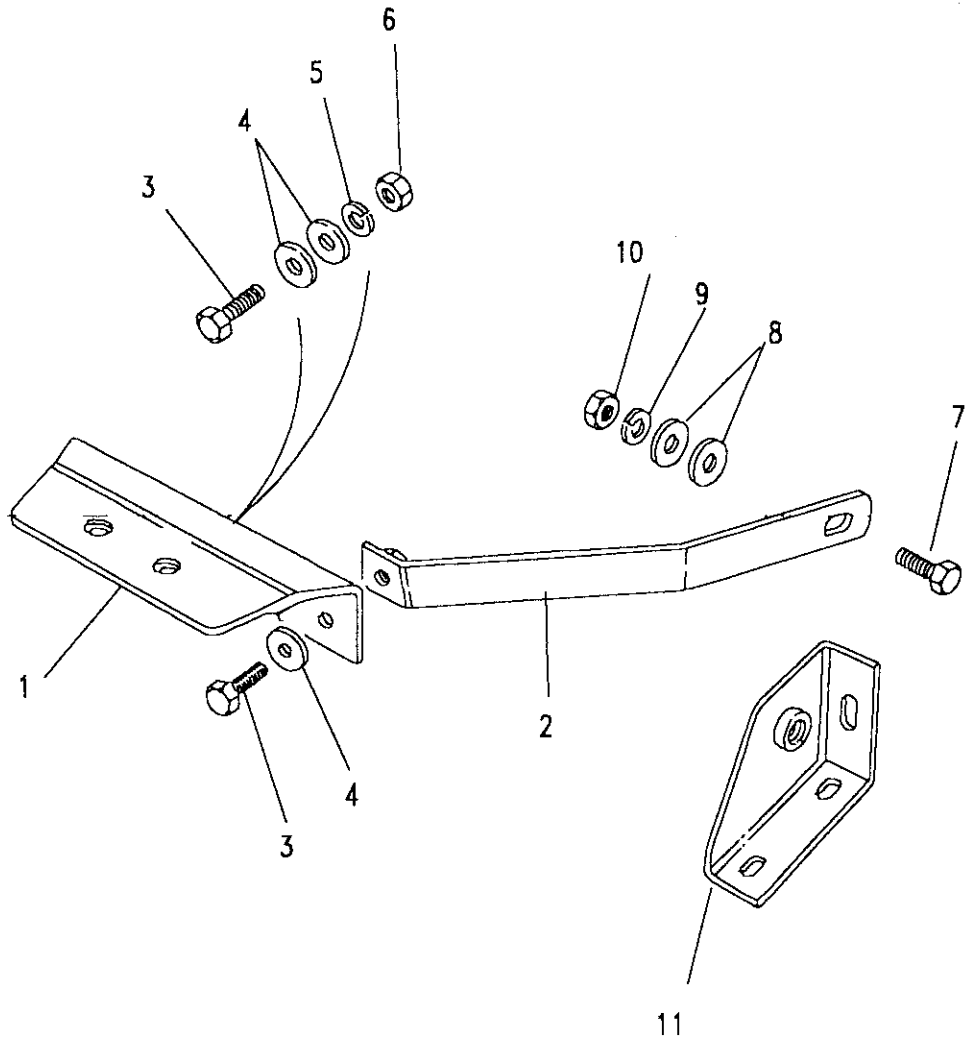
Page AFRXRA6A

SAFETY HARNESS ANCHORAGES - FRONT SEATS - SEATBASE.

III. Part No.	Description	Qty	Remarks
---------------	-------------	-----	---------

Soft & Hard Top

1	395252	Bracket mounting	2
	MRC4885	Tie bar RH	1
2	MRC4886	Tie bar LH	1
3	FB108071L	Bolt	4
4	AFU1079	Washer plain	6
5	WL108001L	Washer spring	4
6	FN108041L	Nut	2
7	FS108251L	Screw	2
8	AFU1079	Washer plain	4
9	WL108001L	Washer spring	2
10	FN108041L	Nut	2
11	345100	Gusset sill RH	1
	345101	Gusset sill LH	1

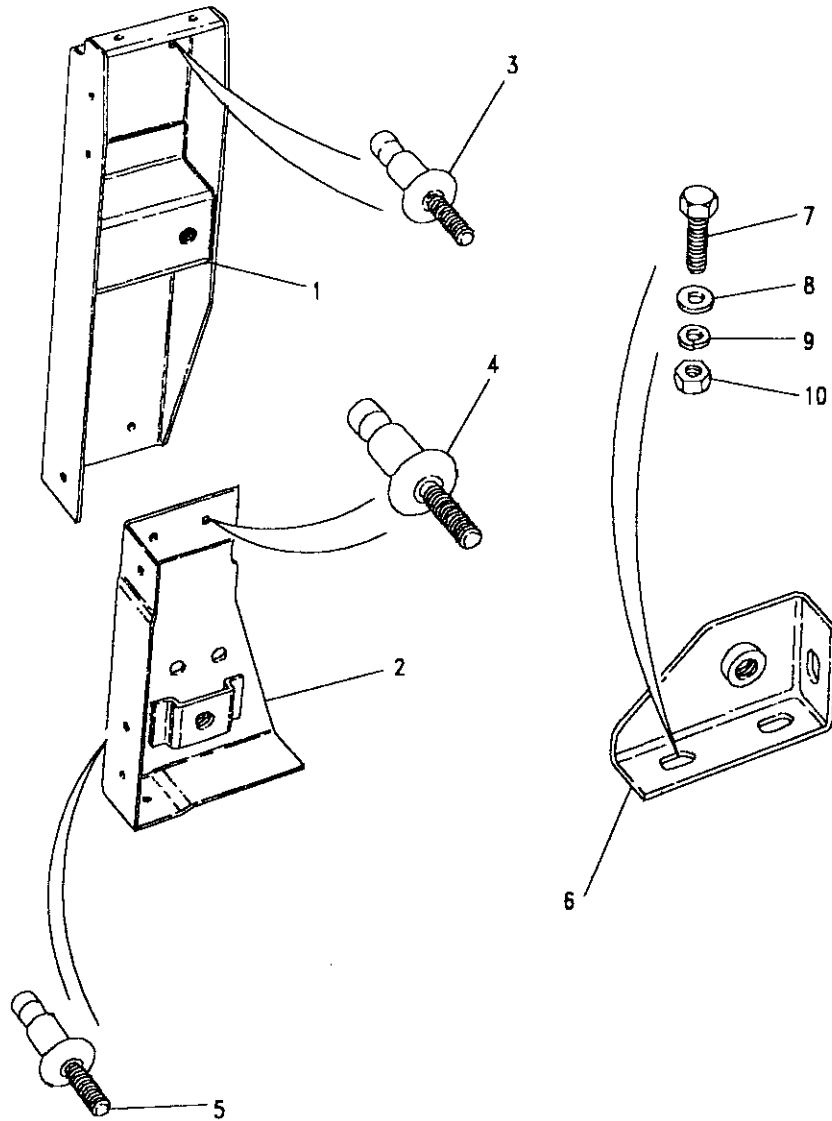






Model DEFENDER 110 1987 onwards  
 Page AFRXRA7A

**SAFETY HARNESS ANCHORAGES - FRONT SEATS - SHOULDER.**

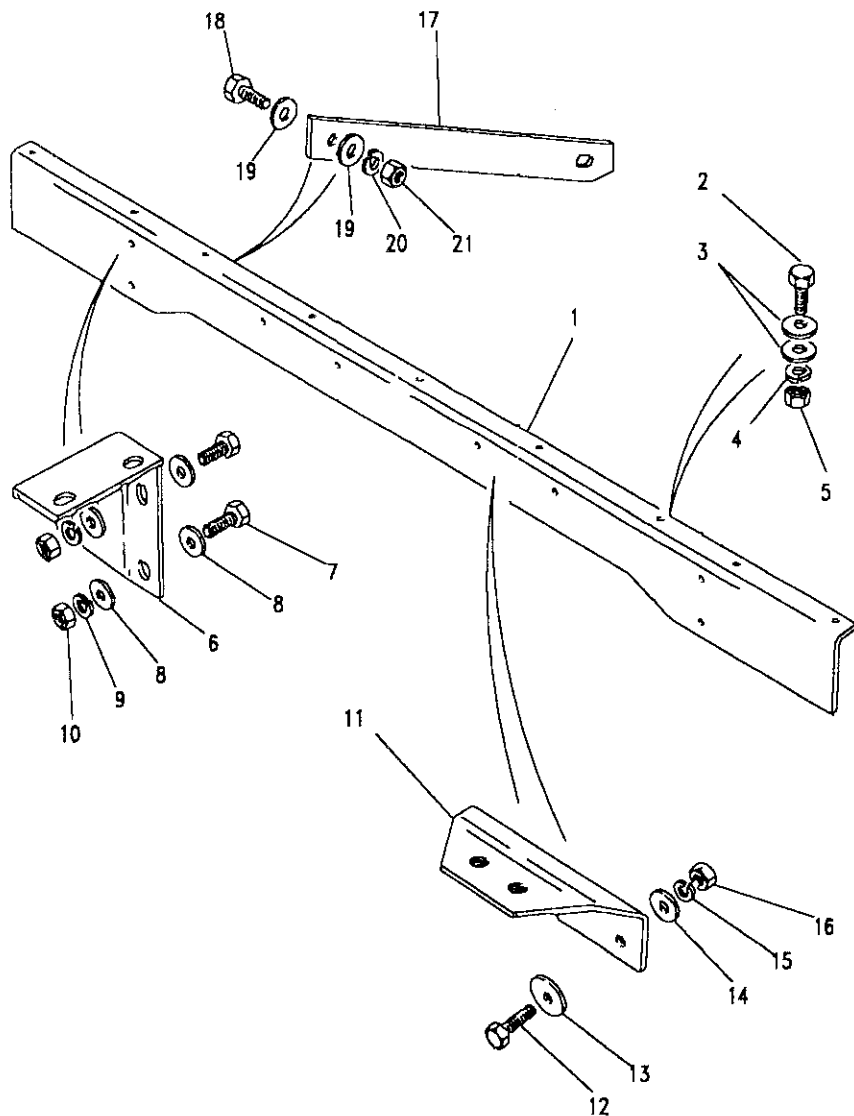


III. Part No.	Description	Qty	Remarks
<b>Truck Cab Only</b>			
1	MRC9361	1	Anchor upper LH
	MRC9362	1	Anchor upper RH
2	MRC9367	1	Anchor lower LH
	MRC9368	1	Anchor lower RH
3	AFU1298	12	Monobolt
4	AFU1350	6	Monobolt
5	AFU1298	12	Monobolt
6	345100	1	Gusset sill RH
	345101	1	Gusset sill LH
7	SH106251L	2	Screw
8	AFU1069	2	Washer plain
9	WL106001L	2	Washer spring
10	NH106041L	2	Nut



**Model** DEFENDER 110 1987 onwards  
**Page** AFRXRA8A

**SAFETY HARNESS ANCHORAGES - FRONT SEATS - BASE ASSY.**

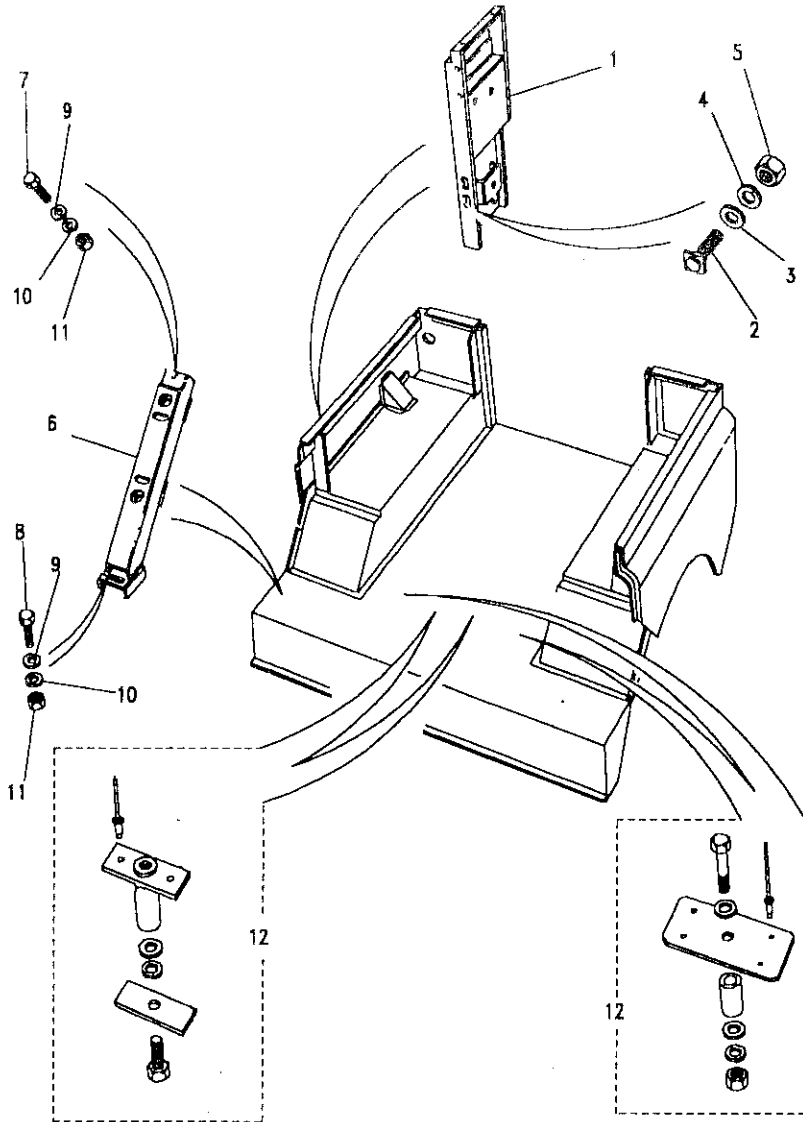


III. Part No.	Description	Qty	Remarks
<b>Truck Cab Only</b>			
1	MTC3042	1	Reinforcing Angle
2	FS108251L	9	Screw
3	WC108051L	18	Washer plain
4	WL108001L	9	Washer spring
5	FN108041L	9	Nut
6	MTC3051	1	Bracket RH
	MTC3052	1	Bracket LH
7	FS108251L	2	Screw
	SH108301L	2	Screw
8	WC108051L	8	Washer plain
9	WL108001L	4	Washer spring
10	FN108041L	4	Nut
11	395252	2	Bracket mounting
12	FS108251L	4	Screw
13	AFU1079	4	Washer plain
14	WC108051L	4	Washer plain
15	WL108001L	4	Washer spring
16	FN108041L	4	Nut
17	MTC3032	2	Tie bar
18	FS108251L	4	Screw
19	WC108051L	8	Washer plain
20	WL108001L	4	Washer spring
21	FN108041L	4	Nut



Model DEFENDER 110 1987 onwards  
Page AFRXRC1A

SAFETY HARNESS ANCHORAGES - REAR FORWARD FACING SEATS



III. Part No.	Description	Qty	Remarks
1	MWC5054	1	Note(1)
	MWC5055	1	Note(1)
	MXC3282	1	Note(2)
	MXC3283	1	Note(2)
2	MRC7626	2	
3	WB106041L	2	
4	WL106001L	2	
5	NH106041L	2	
6	347844	2	Wheelarch
7	255227	2	Upper
8	SH605081L	2	Lower
9	3830L	4	
10	WM600051L	4	
11	NH605041L	4	
12	RTC6065	1	Kit seat belt mounting

Note(1) Upto Vin FA  
Note(2) From Vin FA





Model DEFENDER 110 1987 onwards  
Page AFRXRC2A

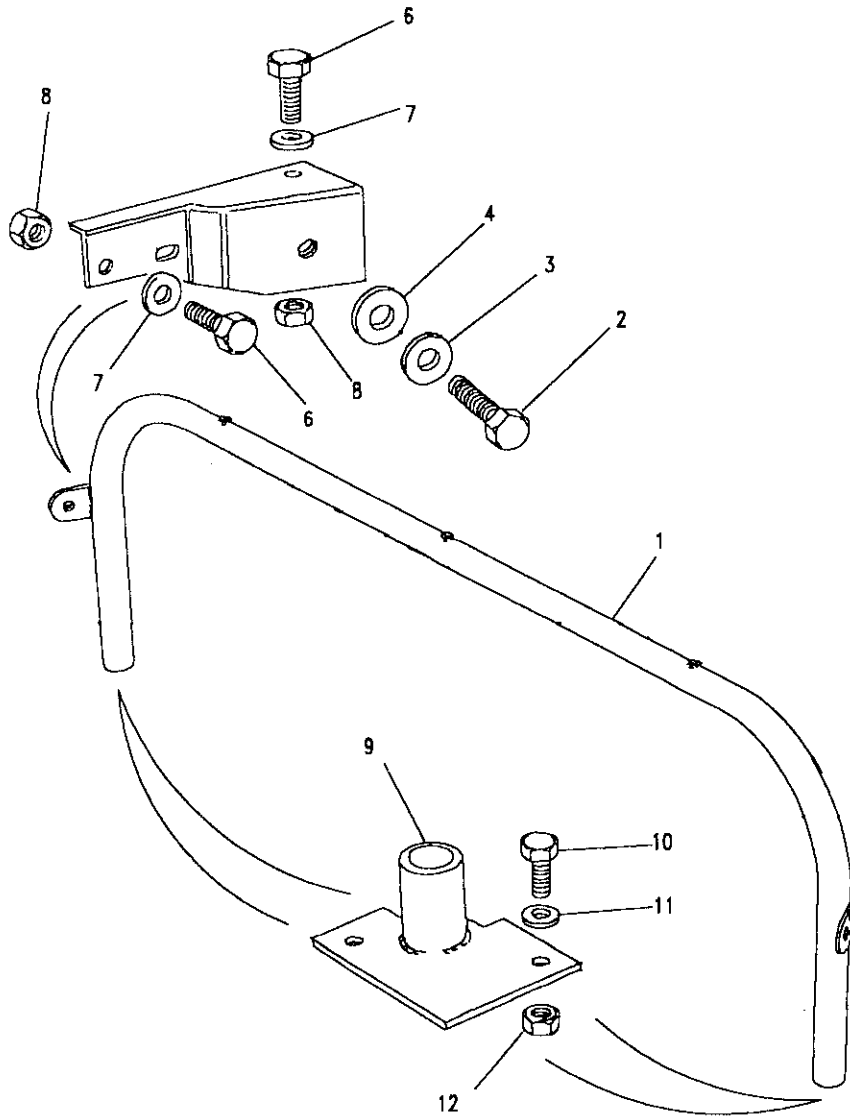
SAFETY HARNESS ANCHORAGES - CHILD SEAT BELT RETENTION

III. Part No. Description Qty Remarks  
REAR FORWARD FACING SEATS - AUSTRALIA ONLY

From introduction of 1988 Model Year

Part No.	Description	Qty	Remarks
1	MWC4393 Tube mounting	1	
2	SH110251L Screw	2	
3	WA110061L Washer plain	2	
4	WA110061L Washer packing	A/R	
5	MWC8276 Bracket RH	1	
	MWC8277 Bracket LH	1	
6	FS108201L Screw	4	
7	WA108051L Washer plain	4	
8	FN108041L Nut	4	
9	MWC4398 Foot RH	1	
	MWC4399 Foot LH	1	
10	FS108201L Screw	4	
11	WA108051L Washer plain	4	
12	FN108041L Nut	4	

Note(1) Cannot be fitted to 12 Seater Station Wagon.





Model DEFENDER 110 1987 onwards

Page AFRXRE1A

## SAFETY HARNESS ANCHORAGES - REAR INWARD FACING SEATS

## III. Part No. Description Qty Remarks

1	MTC6836	Stiffener wheelarch front	2
2	MTC6835	Stiffener wheelarch centr	2
3	MRC1638	Stiffener wheelarch rear	2
4	MTC6840	Angle bracket front	2
5	MTC6839	Angle bracket centre	2

## Fixings - Front stiffeners and angle brackets

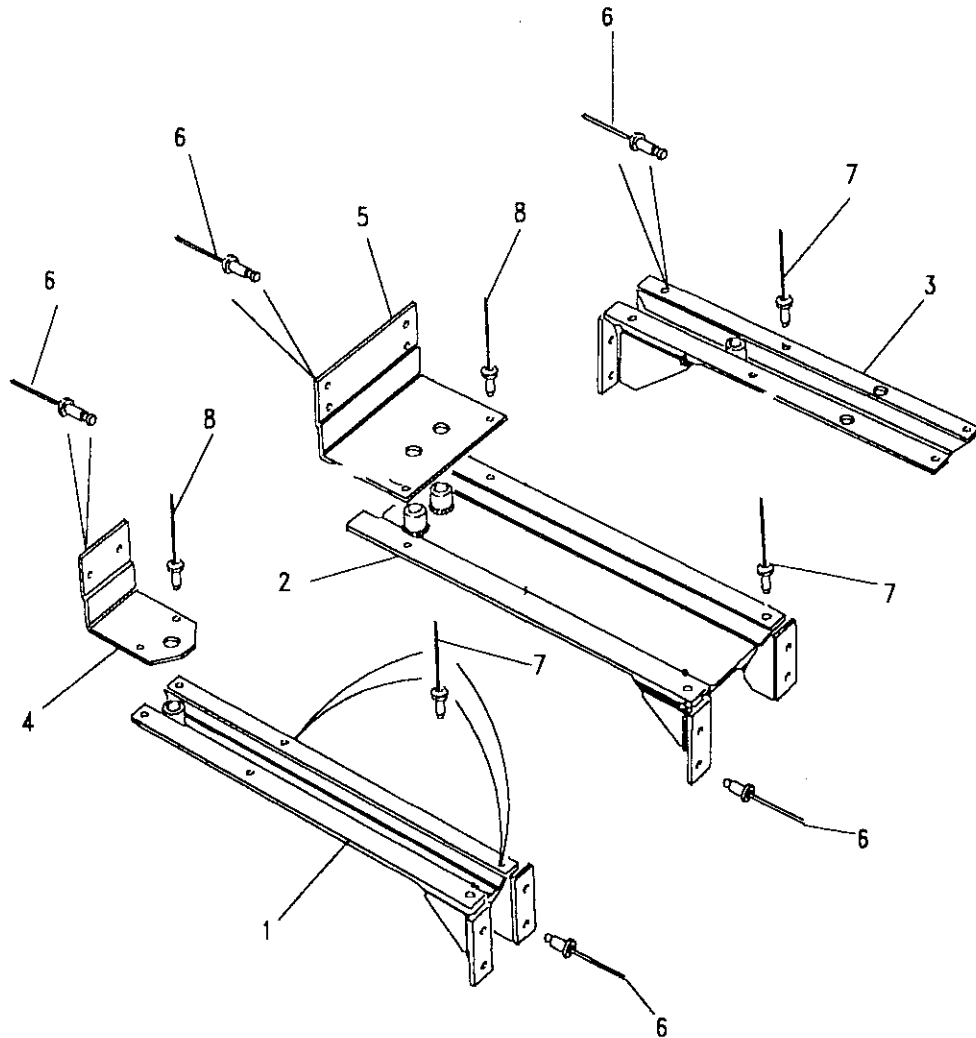
6	AFU1350	Monobolt	12
7	RA612156L	Rivet	8
8	RA612236	Rivet	4

## Fixings - Centre stiffeners and angle brackets

6	AFU1350	Monobolt	16
7	RA612156L	Rivet	4
8	RA612236	Rivet	4

## Fixings - Rear stiffener

6	AFU1350	Monobolt	8
7	RA612156L	Rivet	12





## MASTER INDEX

	PAGES	GROUP S
INTRODUCTION PAGES	1 - 7	
ALPHABETICAL INDEX	8 - 16	STOWAGE
ENGINE	17 - 66	
ENGINE	67 - 119	
ENGINE	120 - 166	
ENGINE	167 - 209	STOWAGE
ENGINE	210 - 245	TOOL STOWAGE - PICK UP, TRUCK CAB AND H.C.P.U.
ENGINE	246 - 299	
GEARBOX	300 - 326	TOOL CURTAIN - UPTO 1991MY
GEARBOX	327 - 344	
GEARBOX	345 - 359	TOOL CURTAIN - 1991MY
TRANSFER BOX	360 - 378	TOOL STOWAGE - STATION WAGON
TRANSFER BOX	379 - 397	
AXLES AND SUSPENSION	398 - 444	TOOLS
STEERING	445 - 471	SPARE WHEEL STOWAGE INTERIOR
VEHICLE AND ENGINE CONTROLS	472 - 486	
BRAKES	487 - 517	
FUEL SYSTEM AND AIR CLEANER	518 - 579	
EXHAUST SYSTEM	580 - 593	
COOLING/HEATING	594 - 637	
COOLING/HEATING	638 - 641	
COOLING/HEATING	642 - 649	
COOLING/HEATING	650 - 655	
COOLING/HEATING	656 - 666	
BODY ELECTRICAL	667 - 740	
BODY AND CHASSIS	741 - 909	
INTERIOR TRIM	910 - 955	
SEATS	956 - 1036	
STOWAGE	1037 - 1046	
ACCESSORIES - PAINTS	1047 - 1074	
NUMERICAL INDEX	1076 - 1151	





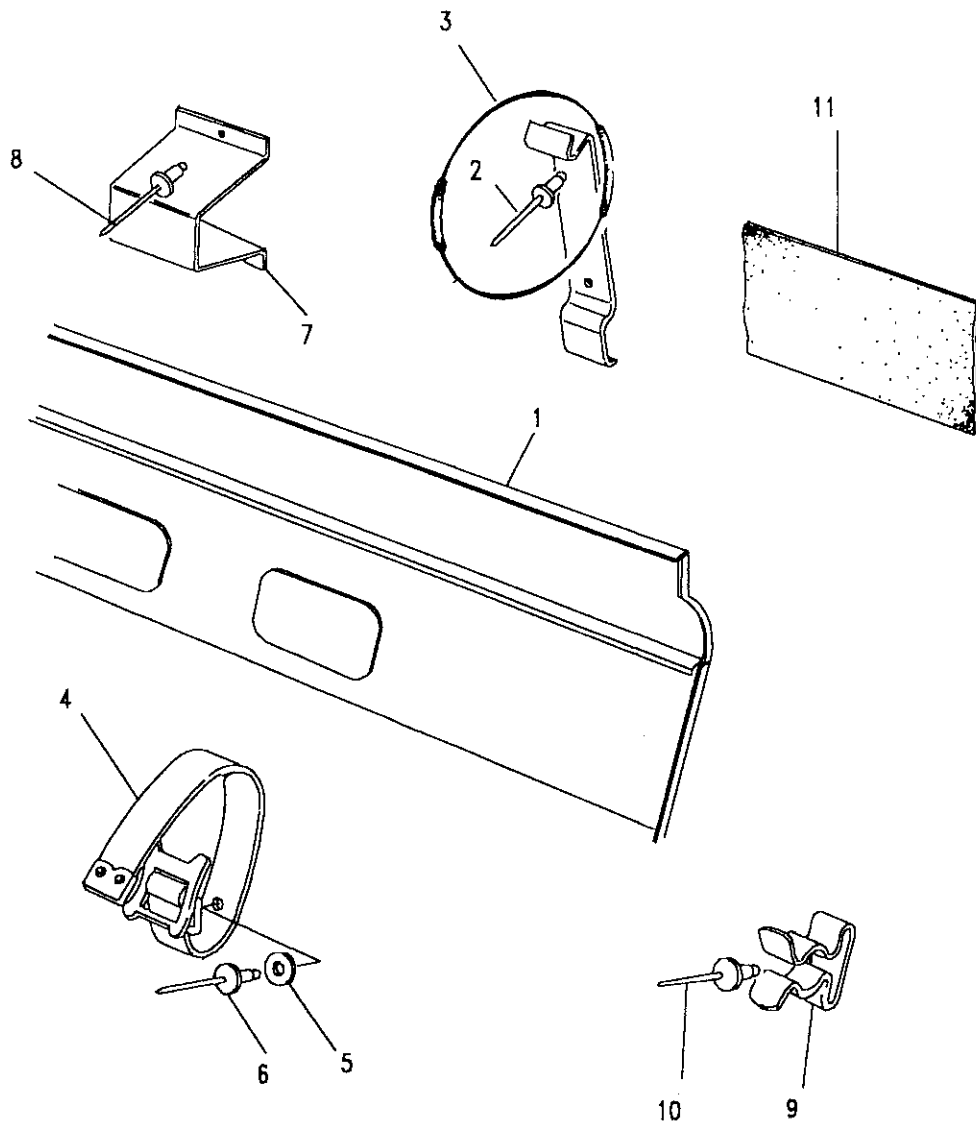
Model DEFENDER 110 1987 onwards

Page AFSXAA1A

## STOWAGE - TOOL STOWAGE - PICK UP, TRUCK CAB AND H.C.P.U.

Ill. Part No.	Description	Qty	Remarks
1 MWC9313	Bracket tool roll	1	)Note(1) & (2)
2 78248	Rivet	2	)
3 371144	Ring retention	1	)
MWC9313	Bracket jack base	1	)Note(1)
78248	Rivet	2	)
371144	Ring retention	1	)
MWC9313	Bracket jack retention	1	)Note(2)
78248	Rivet	2	)
371144	Ring retention	1	)
4 MTC1359	Strap jack retention	1	)Note(1)
5 AFU1256	Washer	1	)
6 78248	Rivet	1	)
7 MWC2145	Bracket jack retention LH	1	)Note(1)
MWC2146	Bracket jack Retention RH	1	)
8 78248	Rivet	2	)
9 90508035	Clip spring	4	)Note(2)
10 78248	Rivet	4	)
11 MTC7457	Pad anti rattle	A/R	)Note(2) )No longer )available

Note(1) Pick Up and Truck Cab  
 Note(2) High Capacity Pick Up





DEFENDER 110 1987 onwards

1039

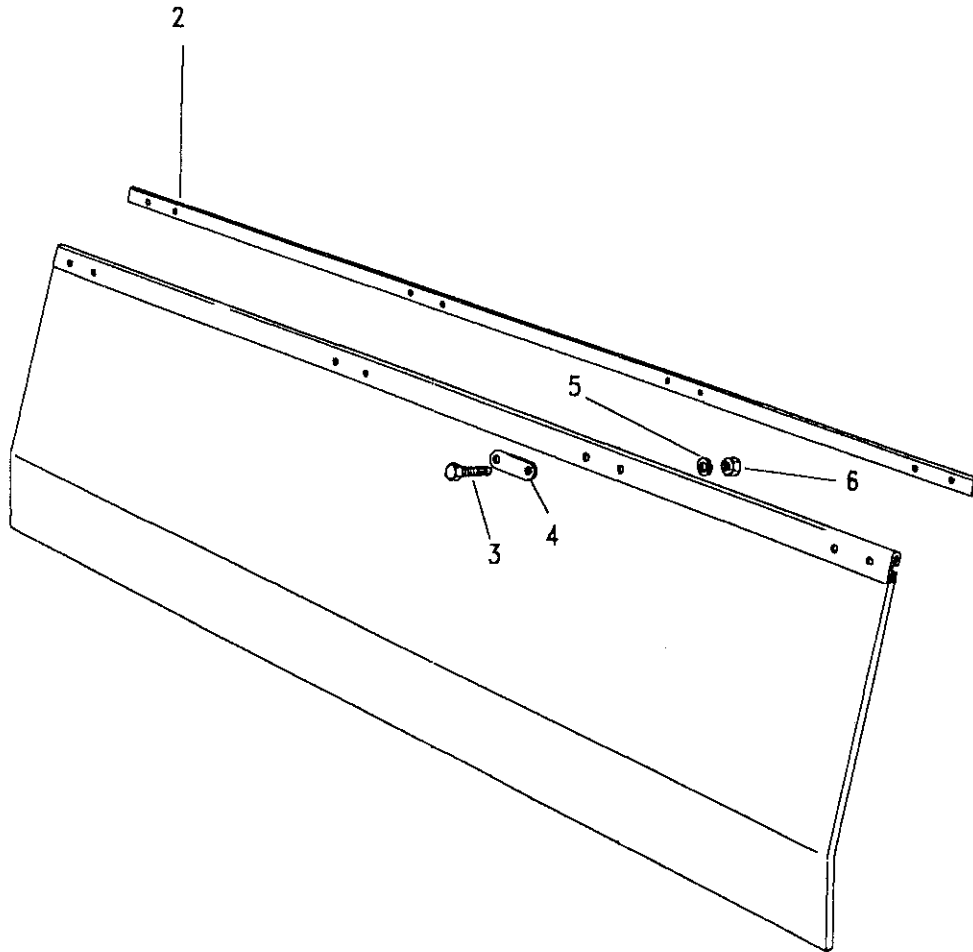
STOWAGE

Model DEFENDER 110 1987 onwards

Page AFSXAA2A

MISCELLANEOUS - TOOL CURTAIN - UPTO 1991MY

Ill. Part No.	Description	Qty	Remarks
<b>Germany</b>			
1	MTC3165	1	Tool curtain
2	MTC3166	1	Plate retaining
3	SH106251L	8	Screw
4	MTC4601	4	Washer plate
5	WL106001L	8	Washer spring
6	NH106041L	8	Nut



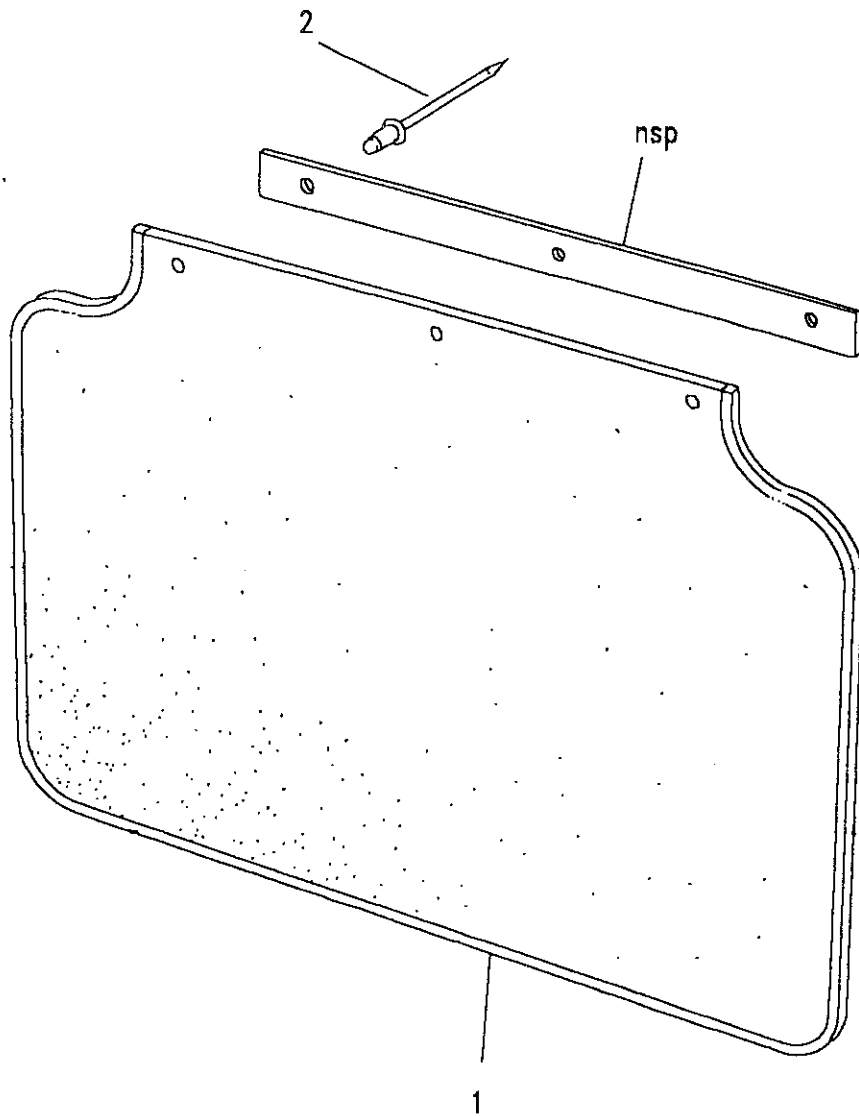




DEFENDER 110 1987 onwards

1040

STOWAGE



**Model** DEFENDER 110 1987 onwards  
**Page** AFSXAA3A

**MISCELLANEOUS - TOOL CURTAIN - 1991MY**

Ill. Part No.	Description	Qty	Remarks
1 MXC6321	Tool curtain	1	
2 78248	Rivet	3	





DEFENDER 110 1987 onwards

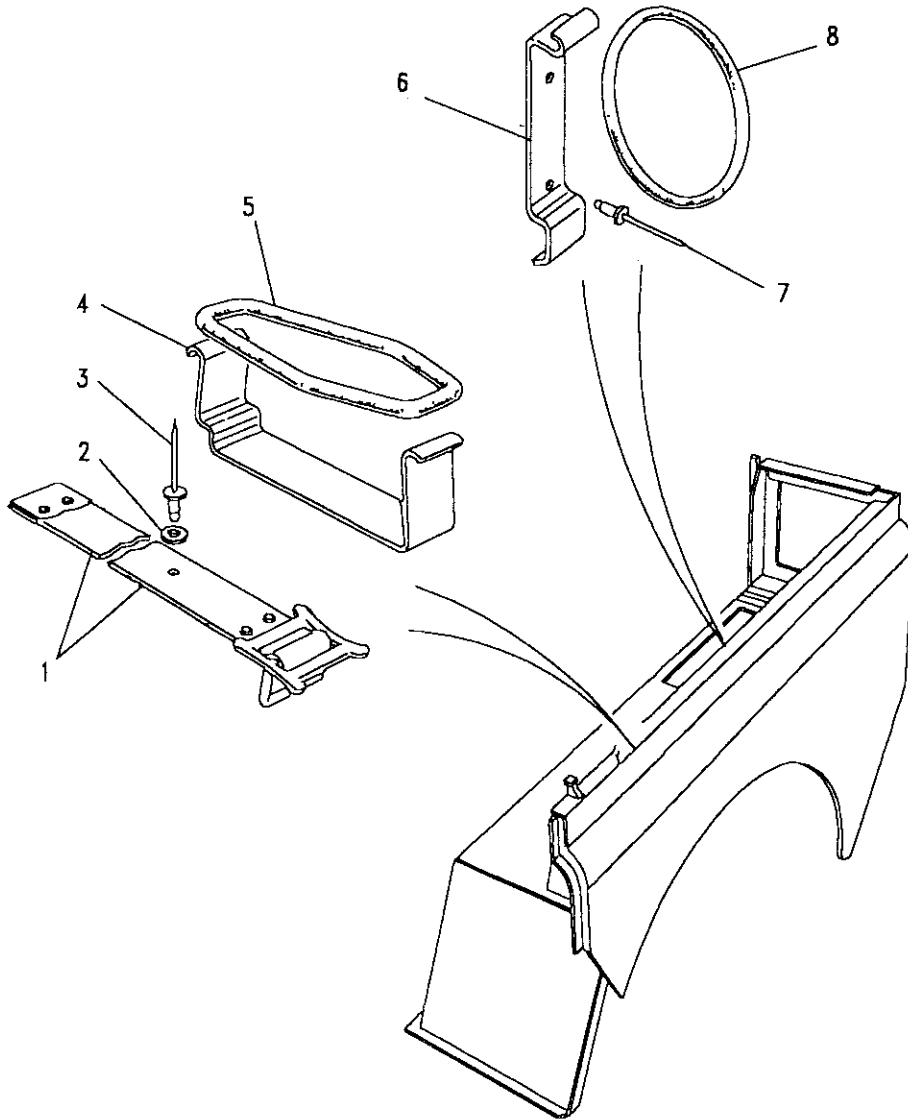
1041

STOWAGE

**Model** DEFENDER 110 1987 onwards  
**Page** AFSXAA4A

**MISCELLANEOUS - TOOL STOWAGE - STATION WAGON**

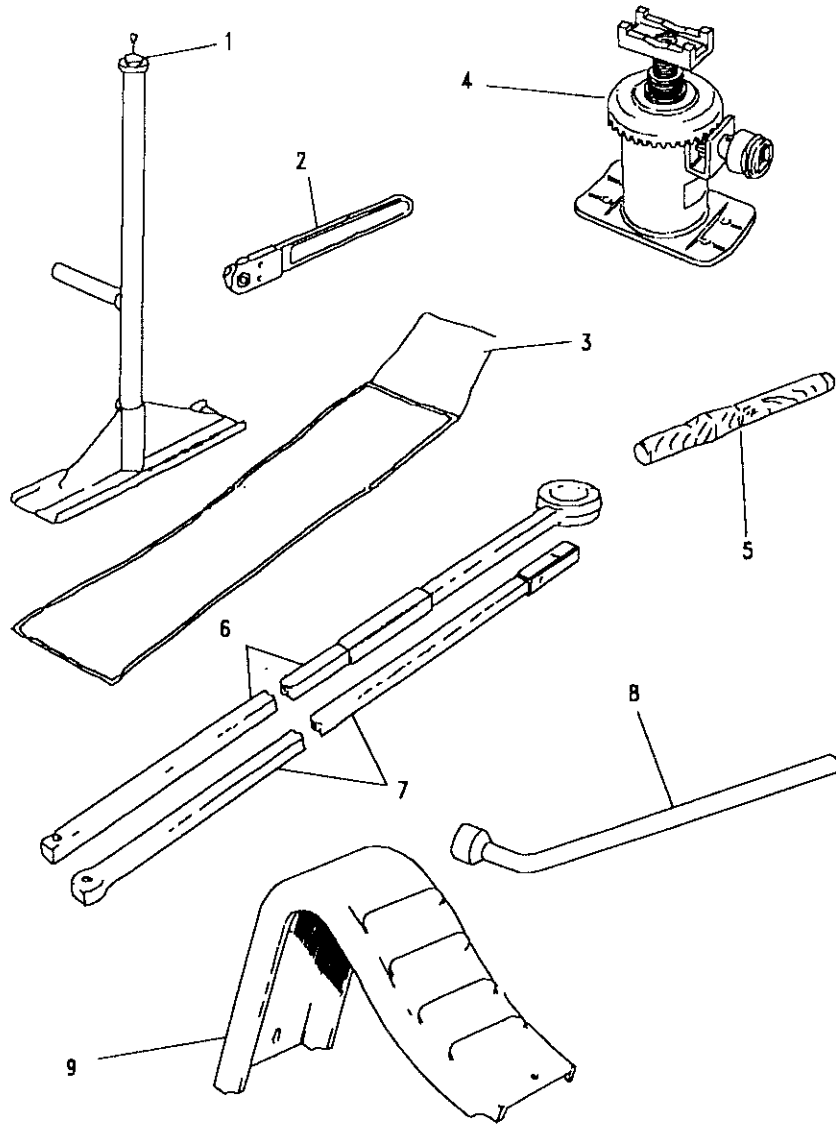
III. Part No.	Description	Qty	Remarks
1	MTC1359	2	Strap
2	78248	2	Rivet
3	AFU1256	2	Washer plain
4	MTC1357	1	Bracket
5	MTC1356	1	Ring retaining
6	MWC9313	2	Bracket
7	78248	4	Rivet
8	371144	2	Ring retaining





Model DEFENDER 110 1987 onwards  
Page AFSXAC1A

MISCELLANEOUS - TOOLS



III. Part No.	Description	Qty	Remarks
1 NTC7955	Jack side lift	1	
2 NRC6481	Spanner ratchet	1	
3 NRC7455	Bag stowage	1	
4 NTC7956	Jack triple lift	1	) H.C.P.U.
5 543301	Jack handle	1	
6 592514	Shaft jack	1	)
7 592513	Shaft jack	1	
8 NTC7829	Wheelbrace	1	
9 NTC7937	Chock roadwheel	1	Up to MA941926
ANR3052	Chock roadwheel	1	From MA941927





DEFENDER 110 1987 onwards

1043

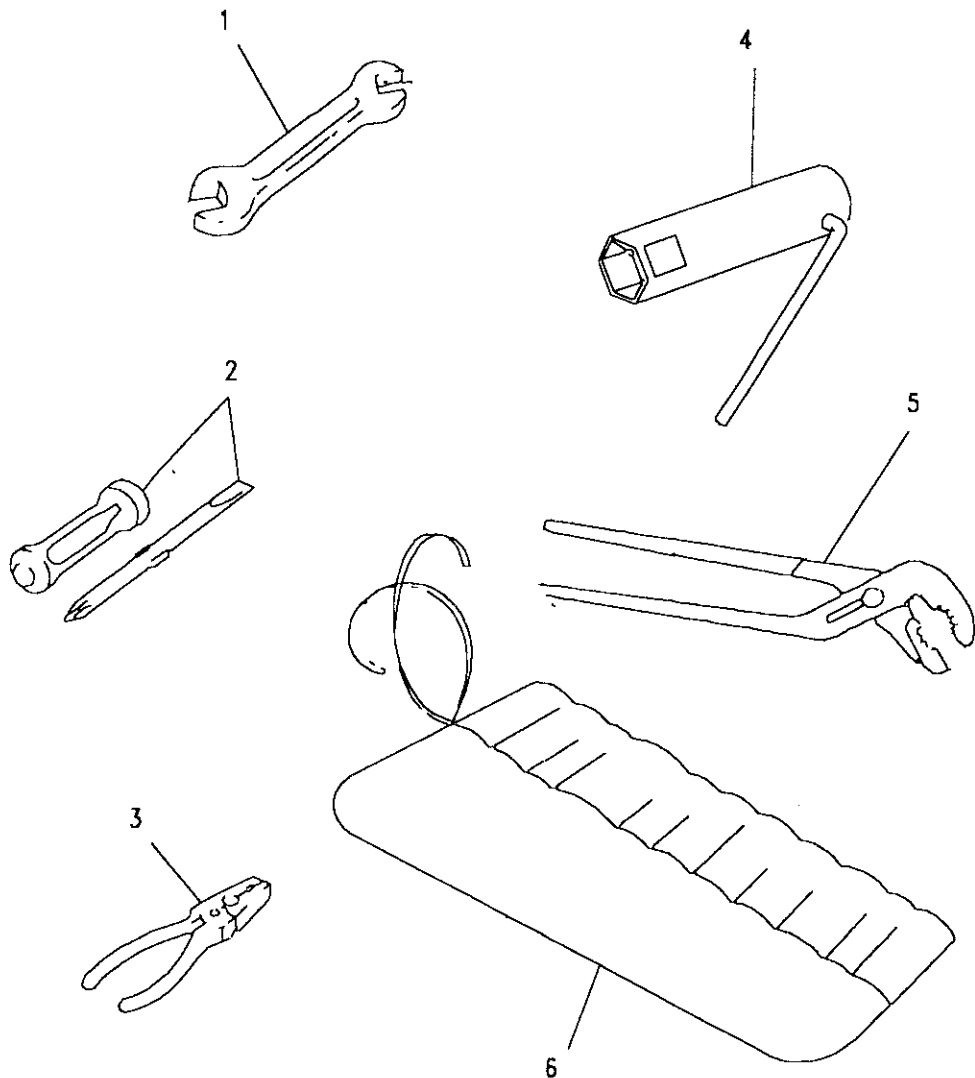
STOWAGE

Model DEFENDER 110 1987 onwards

Page AFSXAC2A

MISCELLANEOUS - TOOLS

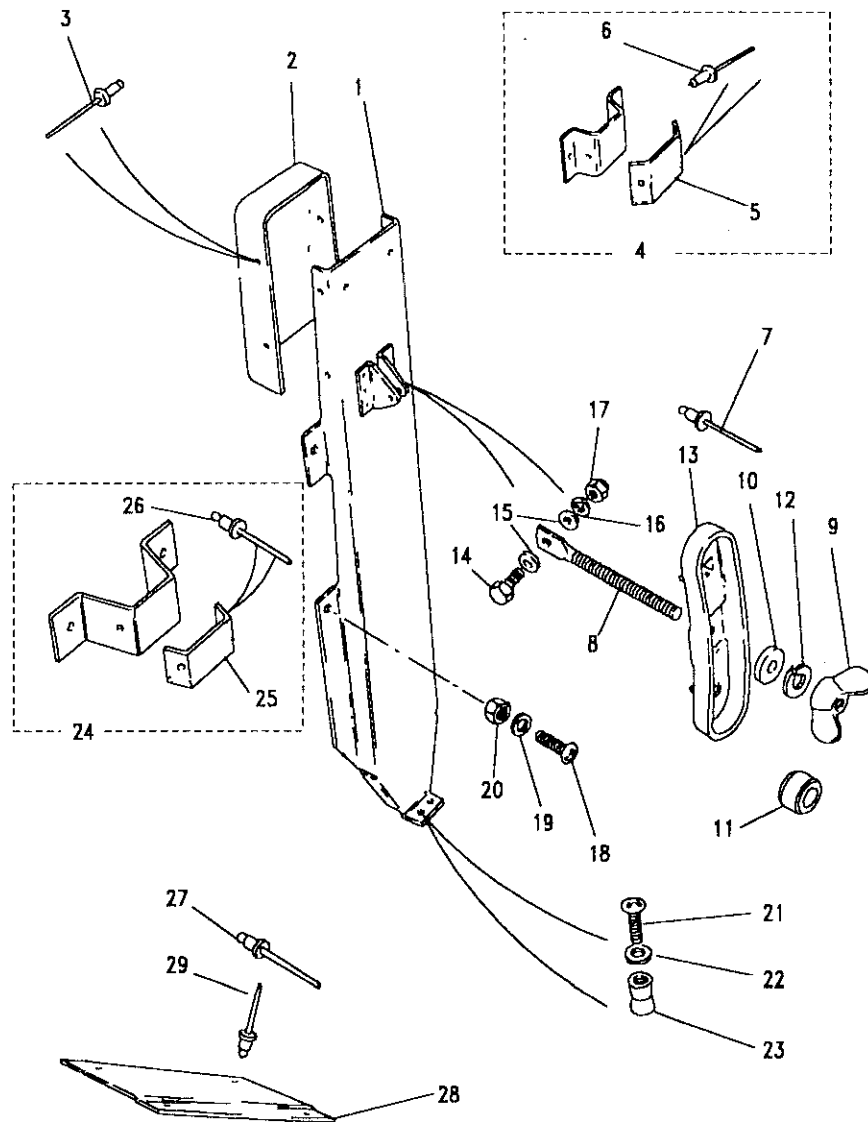
Ill. Part No.	Description	Qty	Remarks
1 AFU1004	Spanner 6mm x 8mm	1	
276396	Spanner 7/16 x 1/2 AF	1	
2 NRC6993	Screwdriver	1	
3 AFU1024L	Pliers	1	
4 MUC4275	Box spanner	1	
5 MUC4291	Pliers adjustable	1	
6 219704	Roll tool	1	
562019	Gauge tyre pressure	1	





Model DEFENDER 110 1987 onwards  
 Page AFSXCA1A

STOWAGE - SPARE WHEEL STOWAGE INTERIOR



III. Part No.	Description	Qty	Remarks
<b>High Capacity Pick Up vehicles</b>			
1	MTC1584	1	Bracket spare wheel mntng
2	MTC1416	1	Cover
3	RA608177L	4	Rivet
4	MTC1423	1	Bracket rubbing
5	MTC1490	1	Rubbing strip
6	RA612347L	2	Rivet
7	RA608177L	2	Rivet
8	302933	1	Tie bar 3/8" whit
	MXC5479	1	Tie Bar M16
9	302934	1	Nut wing 3/8" whit
	90577473	1	Wheel nut M16
10	3982L	1	Spacer
11	MXC5480	1	Spacer
12	WM600061L	1	Washer spring
13	303847	1	Clamp
	MXC5477	1	Clamp
14	BH604081	1	Bolt
	SH106251L	1	Screw
15	3842	2	Washer plain
	WC106041L	2	Washer plain
16	WS600041L	1	Washer spring
17	NY604041L	1	Nut
	NY106041L	1	Nut

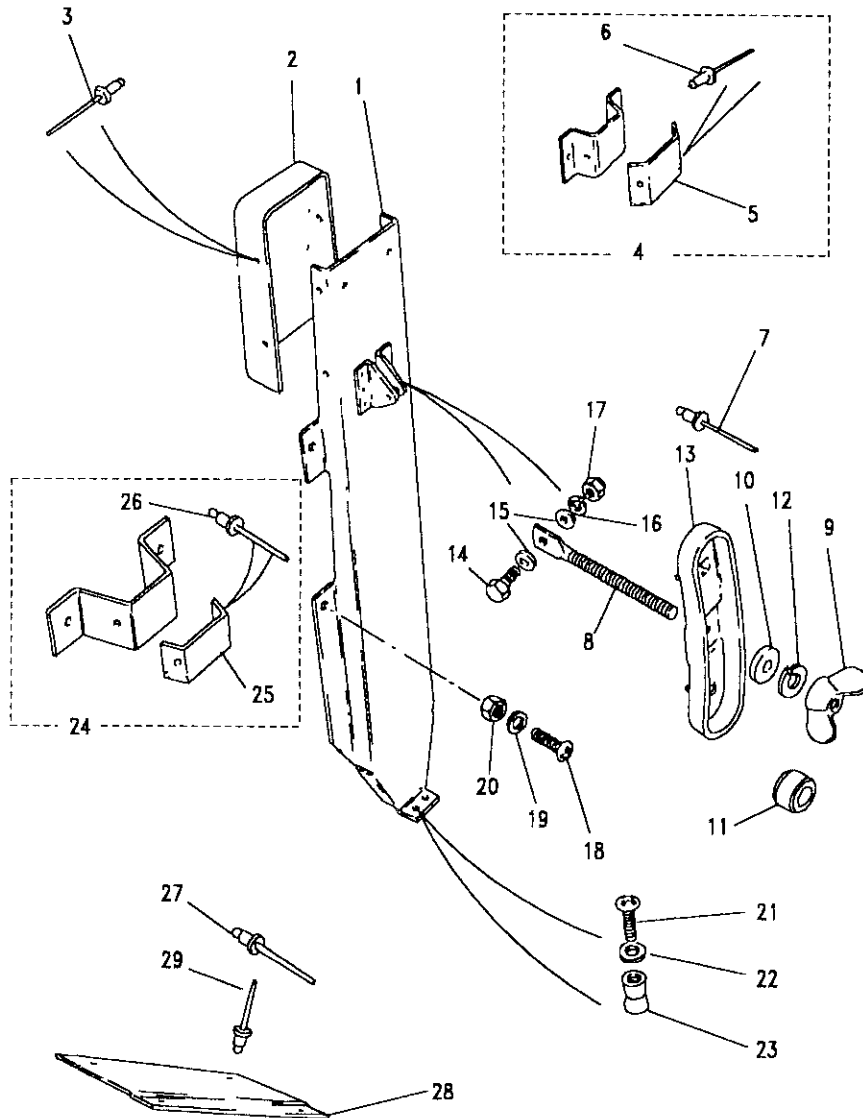




Model DEFENDER 110 1987 onwards  
Page AFSXCA1A

STOWAGE - SPARE WHEEL STOWAGE INTERIOR

iii. Part No.	Description	Qty	Remarks
<b>High Capacity Pick Up vehicles</b>			
18	SE106161L Screw	4	
19	WA106041L Washer plain	8	
20	NY106041L Nut	4	
21	SE106161L Screw	1	
22	WA106041L Washer plain	1	
23	MR106300 Rivnut	1	
24	332672 Bracket rubbing	2	Bodyside
25	332674 Rubbing strip	2	
26	78248 Rivet	4	
27	RU612503 Rivet	4	
28	MTC1592 Plate wearing	1	
29	RU612183 Rivet	4	





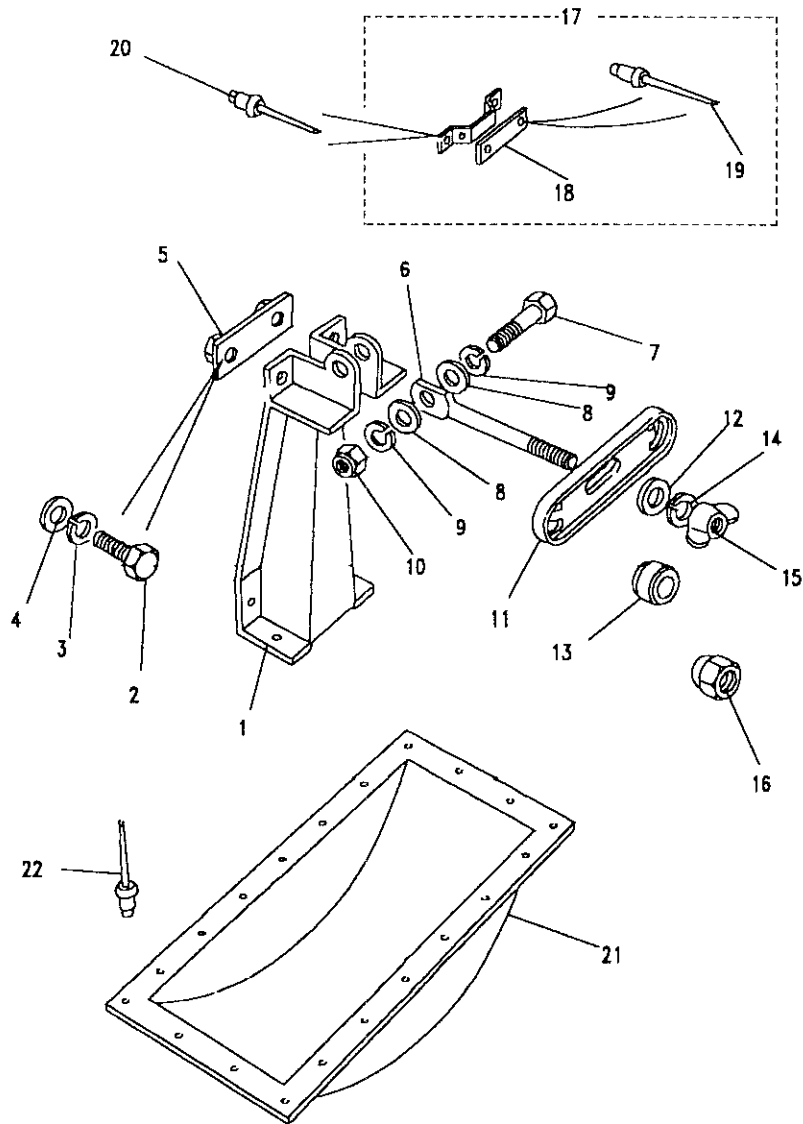
Model DEFENDER 110 1987 onwards  
Page AFSXCA2A

STOWAGE - SPARE WHEEL STOWAGE INTERIOR

III. Part No. Description Qty Remarks

Non Station Wagon vehicles

Part No.	Description	Qty	Remarks
1	MRC4846	1	Bracket spare wheel
2	FS108201L	2	Bolt
3	WC108051L	2	Washer plain
4	WL108001L	2	Washer spring
5	MRC5757	1	Plate nut
6	347866	1	Tie Bar 3/8" UNF
	MXC5479	1	Tie Bar M16
7	FB106081L	1	Flange bolt
8	WC106041L	2	Washer plain
9	WS106001	2	Washer spring
10	NY106041L	1	Nut
11	303847	1	Clamp
	MXC5477	1	Clamp
12	AFU1265	1	Washer plain
13	MXC5480	1	Spacer
14	WL110001L	1	Washer spring
15	250053	1	Nut wing 3/8" UNF
16	90577473	1	Wheel Nut-M16
17	332672	2	Bracket rubbing strip
18	332674	2	Strip rubbing
19	78248	4	Rivet
20	78248	4	Rivet
21	330602	1	Housing spare wheel
22	78248	14	Rivet





## MASTER INDEX

	PAGES
INTRODUCTION PAGES	1 - 7
ALPHABETICAL INDEX	8 - 16
ENGINE	17 - 66
ENGINE	67 - 119
ENGINE	120 - 166
ENGINE	167 - 209
ENGINE	210 - 245
ENGINE	246 - 299
GEARBOX	300 - 326
GEARBOX	327 - 344
GEARBOX	345 - 359
TRANSFER BOX	360 - 378
TRANSFER BOX	379 - 397
AXLES AND SUSPENSION	398 - 444
STEERING	445 - 471
VEHICLE AND ENGINE CONTROLS	472 - 486
BRAKES	487 - 517
FUEL SYSTEM AND AIR CLEANER	518 - 579
EXHAUST SYSTEM	580 - 593
COOLING/HEATING	594 - 637
COOLING/HEATING	638 - 641
COOLING/HEATING	642 - 649
COOLING/HEATING	650 - 655
COOLING/HEATING	656 - 666
BODY ELECTRICAL	667 - 740
BODY AND CHASSIS	741 - 909
INTERIOR TRIM	910 - 955
SEATS	956 - 1036
STOWAGE	1037 - 1046
ACCESSORIES - PAINTS	1047 - 1074
NUMERICAL INDEX	1076 - 1151

## GROUP T

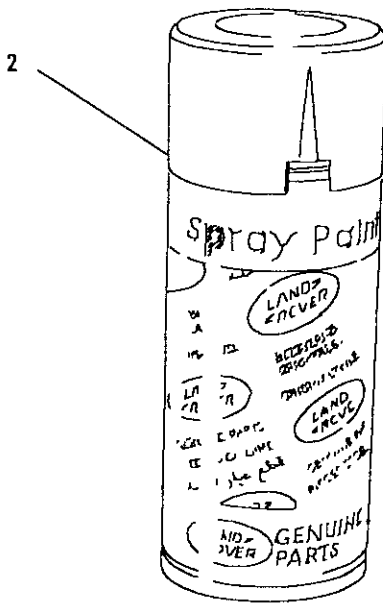
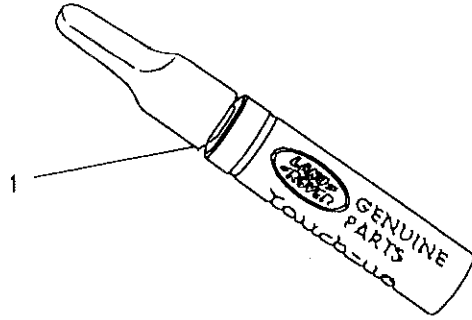
## ACCESSORIES - PAINTS

## ACCESSORIES - PAINTS

PAINT	1048 - 1049
TOWING BALL AND BRACKET	1050 - 1051
TOWING BALL AND BRACKET - H.C.P.U.	1052 - 1053
TOWING JAW	1054
TOWING HOOK	1055
TOWING PINTLE	1056
ROTATING TOWING PINTLE	1057
TRAILER SOCKET	1058 - 1060
CENTRE POWER TAKE OFF	1061 - 1062
LAMP GUARDS	1063
WHEELGUARDS - STANDARD PICK UP - TYPE A	1064
WHEELGUARDS - STANDARD PICK UP - TYPE B	1065
WHEELGUARDS - HCPU	1066
LUBRICANTS	1067
CAR CARE	1068
FIRE EXTINGUISHER	1069
SPARE WHEEL COVER	1070 - 1072
MUD FLAPS	1073 - 1074







**FLAMMABLE HARMFUL**  
**SPRAY PAINT WARNINGS**  
 Harmful by inhalation  
 Harmful in contact with skin  
 Keep out of reach of children  
 Keep away from heat and sources of ignition. When using do not smoke.  
 Do not breathe vapour or mist.  
 In case of contact with skin or eyes, rinse immediately with plenty of water and seek medical advice.  
 Do not spray on a naked flame or any other flammable material.  
 Precautionary measures  
 Protect from sunlight and do not expose to temperatures exceeding 50°C  
 Do not pour or burn empty containers

**Model** DEFENDER 110 1987 onwards  
**Page** AFTXAA1A

**MISCELLANEOUS - PAINT**

III. Part No.	Description	Qty	Remarks
<b>TOUCH UP PENCIL</b>			
1	RTC4035T	1	Paint Venetian Red
	RTC4042T	1	Paint Bronze Green
	RTC4043T	1	Paint Marine Blue
	RTC4047T	1	Paint Trident Green
	RTC4049T	1	Paint Stratos Blue
	RTC4051T	1	Paint Arizona Tan
	RTC4054T	1	Paint Slate Grey
	RTC4058T	1	Paint Ivory
	RTC4055T	1	Paint White Primer
	RTC4056T	1	Paint Grey Primer
	RTC4057T	1	Paint Red Primer
	RTC5727T	1	Paint Shire Blue
	RTC5728T	1	Paint Arrow Red
	RTC5980T	1	Paint Arran Beige
	RTC5981T	1	Paint Eastnor Green
	RTC6401T	1	Paint Pacific Blue
	RTC6870T	1	Paint White
	RTC6869T	1	Paint Grey
	RTC5983T	1	Paint County Red
	RTC6634T	1	Paint County Green
	RTC5979T	1	Paint County Black
	STC1349T	1	Paint Montpellier Red
	STC1348T	1	Paint Coniston Green

Note(1) NLS = No longer serviced

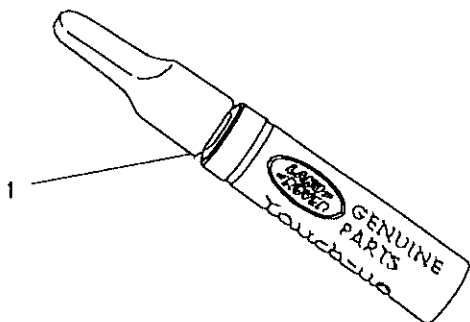




DEFENDER 110 1987 onwards

1049

ACCESSORIES - PAINTS



FLAMMABLE	HARMFUL
<b>SPRAY PAINT - WARNING</b> Harmful by inhalation Harmful in contact with skin Keep out of reach of children Keep away from heat and sources of ignition. When using, do not smoke. Do not breathe spray or mist. In case of contact with skin or eyes, wash immediately with plenty of water and seek medical advice. Do not spray on a sealed flame or any inflammable material. Pressured container - protect from sunlight and do not expose to temperatures exceeding 50°C. Do not pierce or burn even after use.	

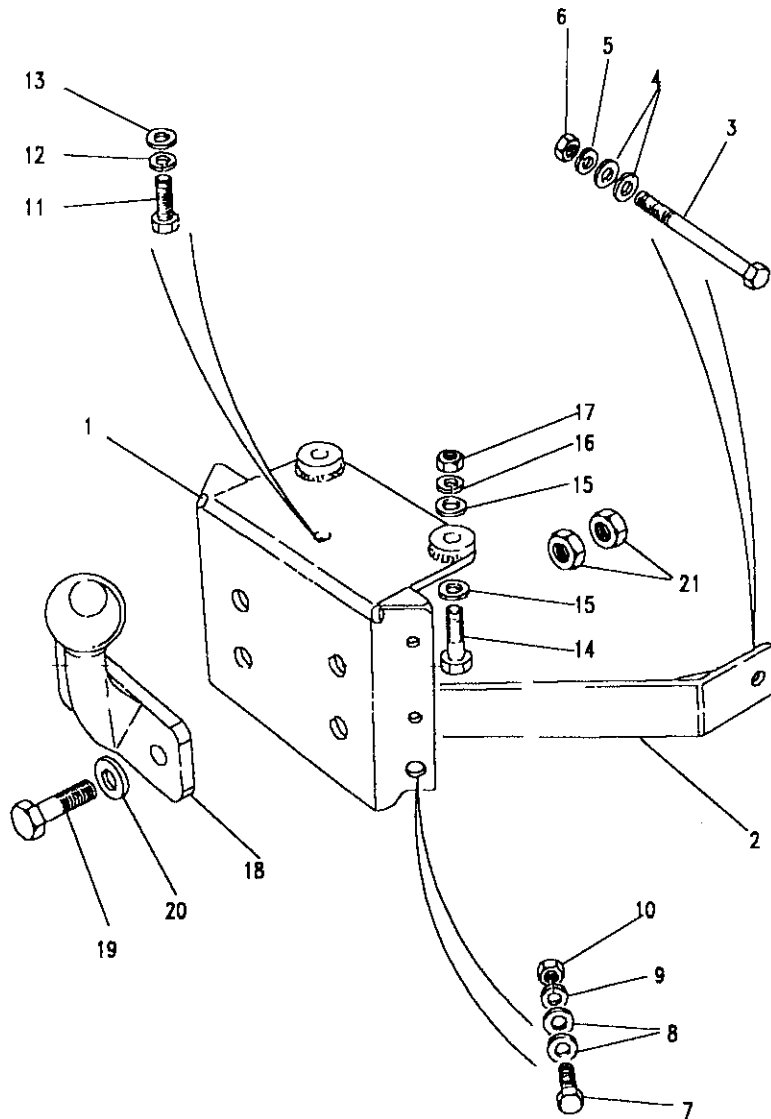
Model DEFENDER 110 1987 onwards

Page AFTXAA1A

MISCELLANEOUS - PAINT

III. Part No.	Description	Qty	Remarks
<b>AEROSOL</b>			
2	RTC4035A	1	Paint Venetian Red
	RTC4042A	1	Paint Bronze Green
	RTC4043A	1	Paint Marine Blue
	RTC4047A	1	Paint Trident Green
	RTC4049A	1	Paint Stratos Blue
	RTC4051A	1	Paint Arizona Tan
	RTC4054A	1	Paint Slate Grey
	RTC4058A	1	Paint Ivory
	RTC4055A	1	Paint White Primer
	RTC4056A	1	Paint Grey Primer
	RTC4057A	1	Paint Red Primer
	RTC5727A	1	Paint Shire Blue
	RTC5728A	1	Paint Arrow Red
	RTC5980A	1	Paint Arran Beige
	RTC5981A	1	Paint Eastnor Green
	RTC6401A	1	Paint Pacific Blue
	RTC6870A	1	Paint White
	RTC6869A	1	Paint Grey
	RTC5983A	1	Paint County Red
	RTC6634A	1	Paint County Green
	RTC5979A	1	Paint County Black
	STC1349A	1	Paint Montpellier Red
	STC1348A	1	Paint Coniston Green





Model DEFENDER 110 1987 onwards

Page AFTXCA1A

OPTIONAL EQUIPMENT - TOWING BALL AND BRACKET

III. Part No.	Description	Qty	Remarks
1	NRC8208	1	Bracket towing jaw
2	NRC8210	1	Tie bar RH
	NRC8211	1	Tie bar LH
<b>Fixings - Tie bar to chassis sidemember</b>			
3	BH110201L	2	Bolt
4	WA110061L	4	Washer plain
5	WL110001	2	Washer spring
6	NY110041L	2	Nut
<b>Fixings - Tie bar to bracket</b>			
7	SH110301	2	Screw
8	WA110061L	4	Washer plain
9	WL110001	2	Washer spring
10	NY110041L	2	Nut
<b>Fixings - Bracket to rear crossmember</b>			
11	SH110251L	1	Screw
12	WL110001	1	Washer spring
13	WA110061L	1	Washer plain
14	BH110081L	2	Bolt
15	WA110061L	4	Washer plain
16	WL110001	2	Washer spring
17	NY110041L	2	Nut
18	RTC8891	1	Ball towing 50mm
			Option

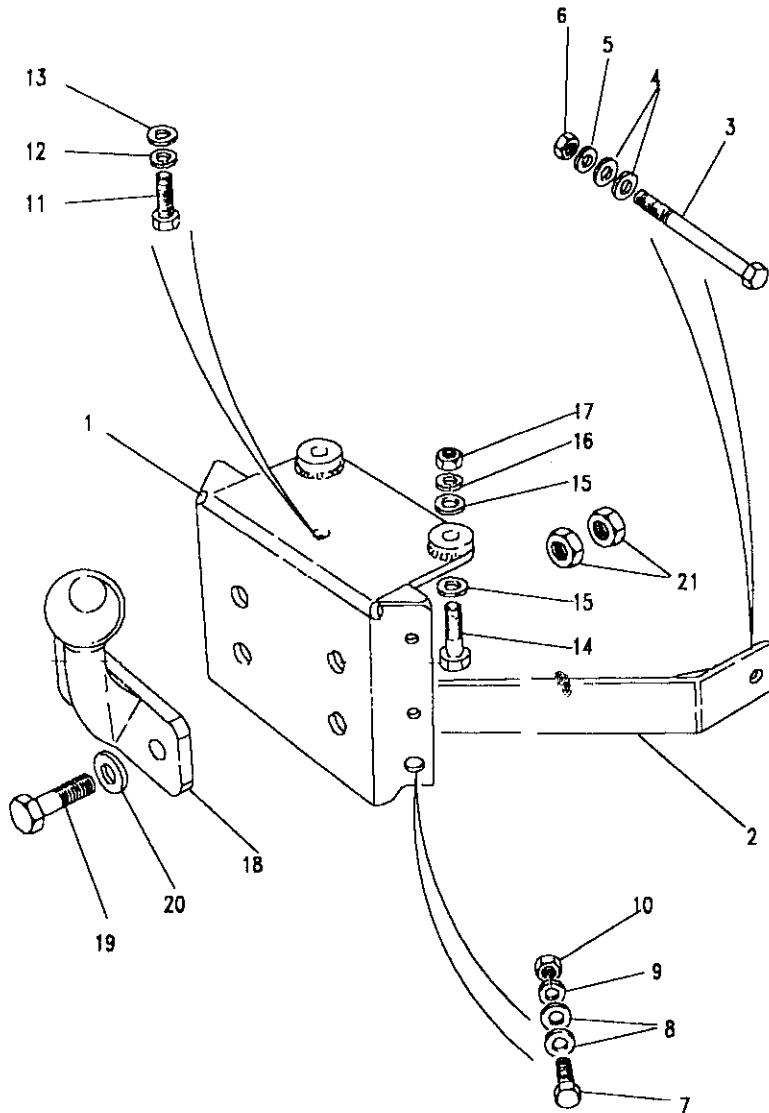


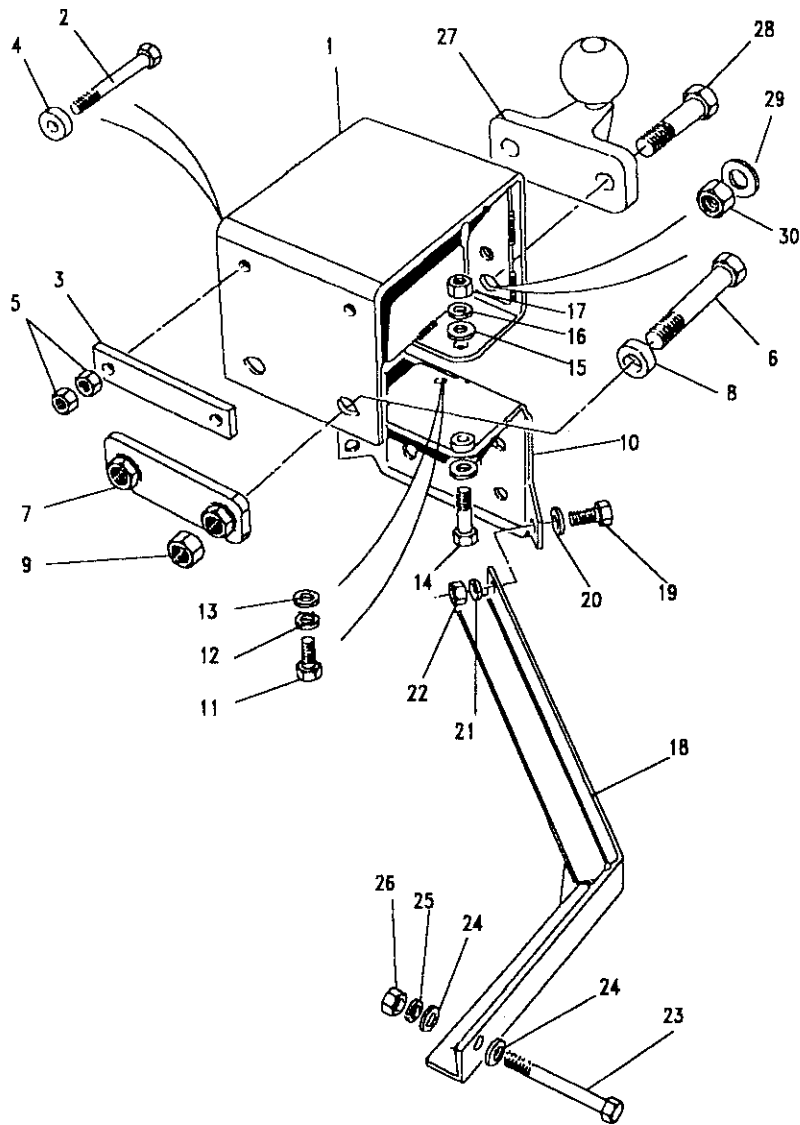


Model DEFENDER 110 1987 onwards  
Page AFTXCA1A

OPTIONAL EQUIPMENT - TOWING BALL AND BRACKET

III. Part No.	Description	Qty	Remarks
<b>Fixings - Towing ball to attachment bracket</b>			
19	BH116121L Bolt	2	
20	RTC625 Washer	2	
21	NY116041L Nut	4	





Model DEFENDER 110 1987 onwards

Page AFTXCA2A

**OPTIONAL EQUIPMENT - TOWING BALL AND BRACKET - H.C.P.U.**

III. Part No. Description Qty Remarks

1 NRC7758 Extension towing bracket 1

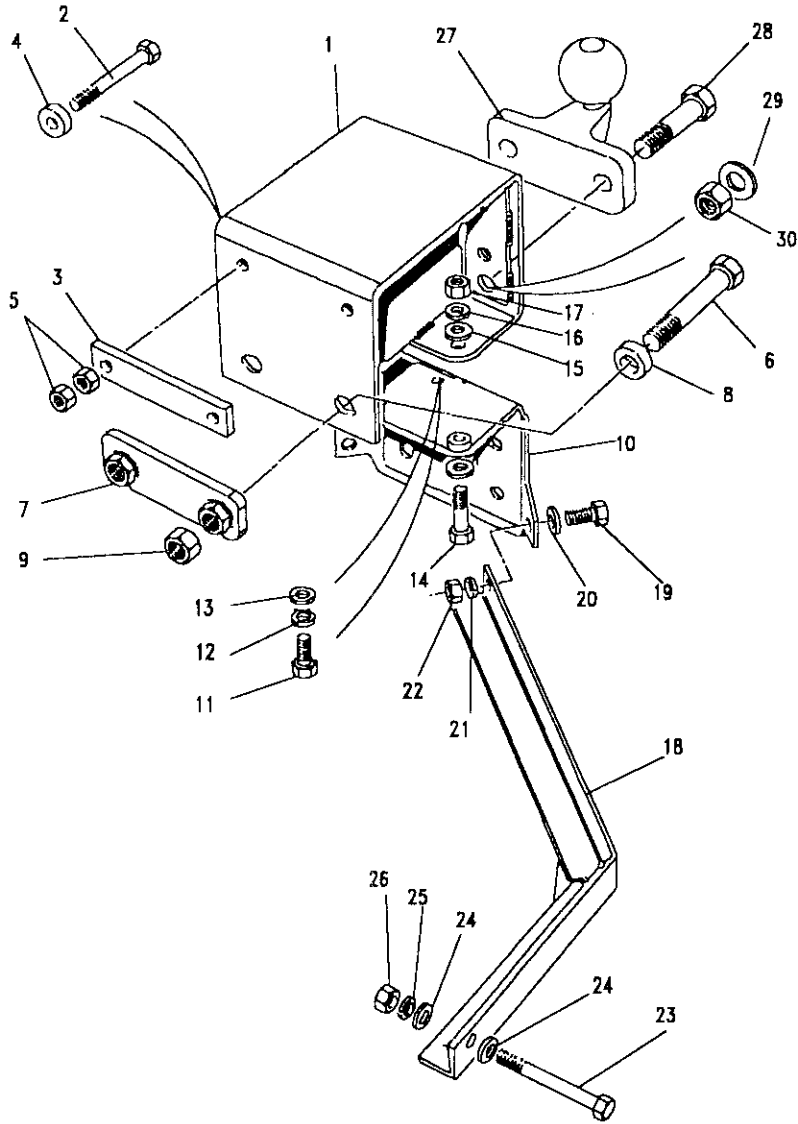
**Fixings - Extension to rear crossmembers**

2	BH110181L	Bolt upper fixing	2	
3		Plate	1	NLA
4	NRC6324	Spacer	2	
5	NY110041L	Nut	2	
6	BH116201	Bolt lower fixing	2	
7	NRC6636	Nut Plate	1	
8	4233	Washer	2	
9	NY116041L	Nut	2	
10	NRC8208	Bracket towing jaw	1	

**Fixings - Bracket to extension assembly**

11	SH110301	Screw	1	
12	WL110001	Washer spring	1	
13	WA110001L	Washer plain	1	
14	BX110071L	Bolt	2	
15	WA110001L	Washer plain	4	
16	WL110001	Washer spring	2	
17	NY110041L	Nut	2	
18	NRC8229	Tie bar LH	1	
	NRC8230	Tie bar RH	1	





**Model** DEFENDER 110 1987 onwards  
**Page** AFTXCA2A

**OPTIONAL EQUIPMENT - TOWING BALL AND BRACKET - H.C.P.U.**

III. Part No.	Description	Qty	Remarks	
<b>Fixings - Tie bar to bracket</b>				
19	SH110301	2	Screw	
20	WA110001L	4	Washer plain	
21	WL110001	2	Washer spring	
22	NY110041L	2	Nut	
<b>Fixings - Tie bar to chassis</b>				
23	BH110201L	2	Bolt	
24	WA110001L	4	Washer plain	
25	WL110001	2	Washer spring	
26	NY110041L	2	Nut	
27	RTC8891	1	Ball towing 50mm	
28	BH116101	2	Bolt	
29	RTC625	2	Washer	
30	NY116041L	2	Nut	
	RTC9580A	1	Tow bar adjustable	HCPU
	RTC9581	1	Pin & clip	

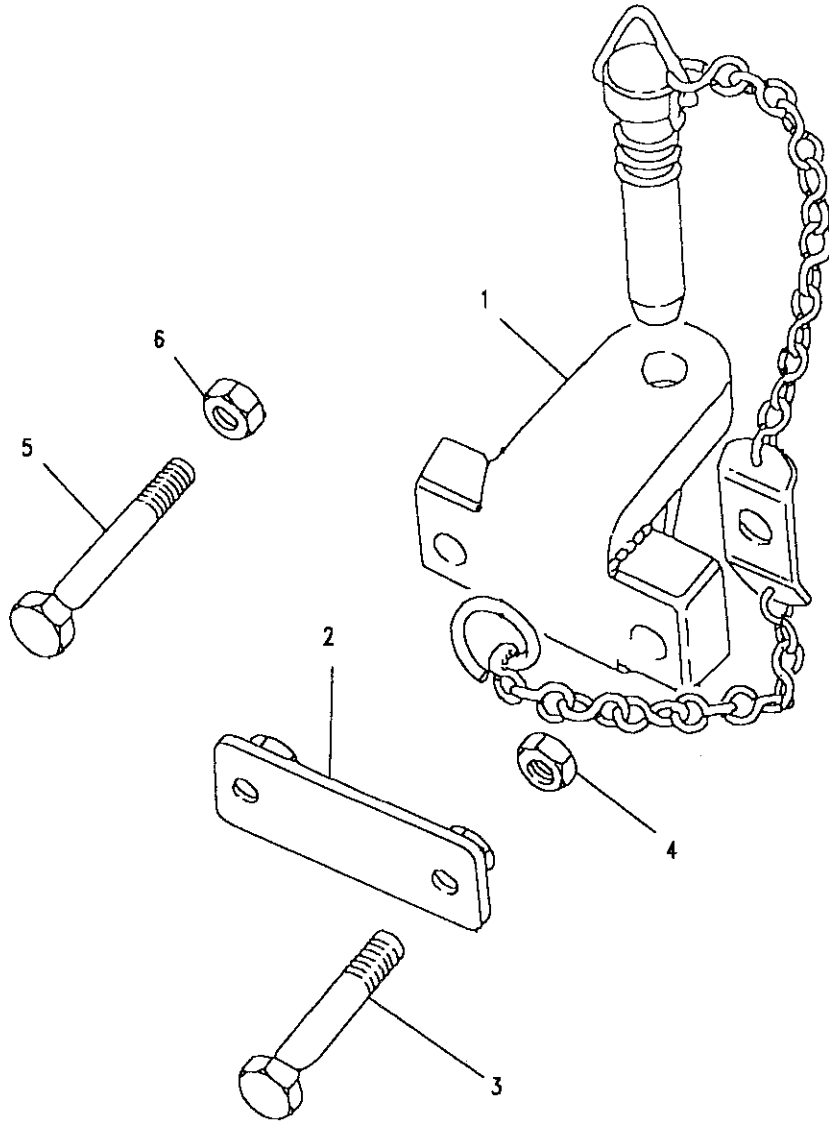




**Model** DEFENDER 110 1987 onwards  
**Page** AFTXCC1A

**OPTIONAL EQUIPMENT - TOWING JAW**

III. Part No.	Description	Qty	Remarks
1 559636	Jaw towing	1	
<b>Fixings - Towing jaw to rear crossmember</b>			
2 562756	Distance piece	1	
3 BH116261	Bolt	2	
4 NY116041L	Nut	2	
<b>Fixings - Towing jaw to bracket</b>			
5 BH116161L	Bolt	2	
6 NY116041L	Nut	4	





Model DEFENDER 110 1987 onwards

Page AFTXCE1A

OPTIONAL EQUIPMENT - TOWING HOOK

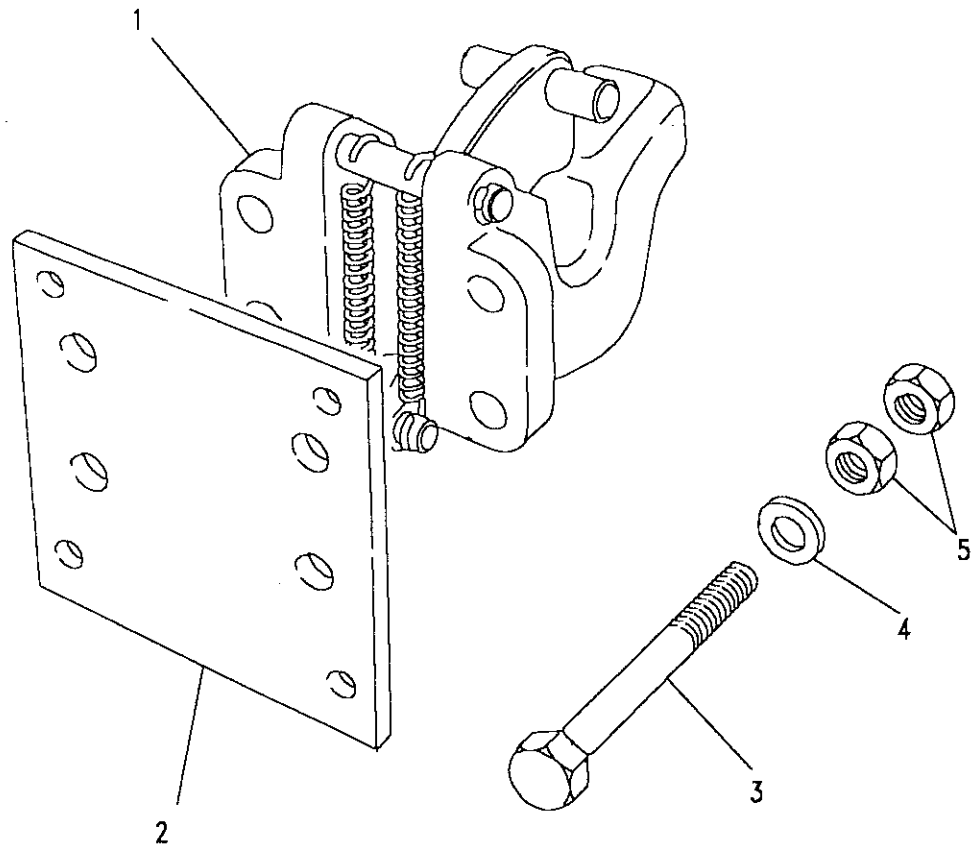
III. Part No.	Description	Qty	Remarks
1 246109	Hook towing	1	No longer available
2 NRC8323	Stiffener	1	

Fixings - Towing hook to crossmember

3 BH112201L	Bolt	4	
4 WA112081L	Washer	4	
5 NH112041L	Nut	8	

Fixings - Towing hook to drop plate

BH112101L	Bolt	4	
NH112041L	Nut	8	



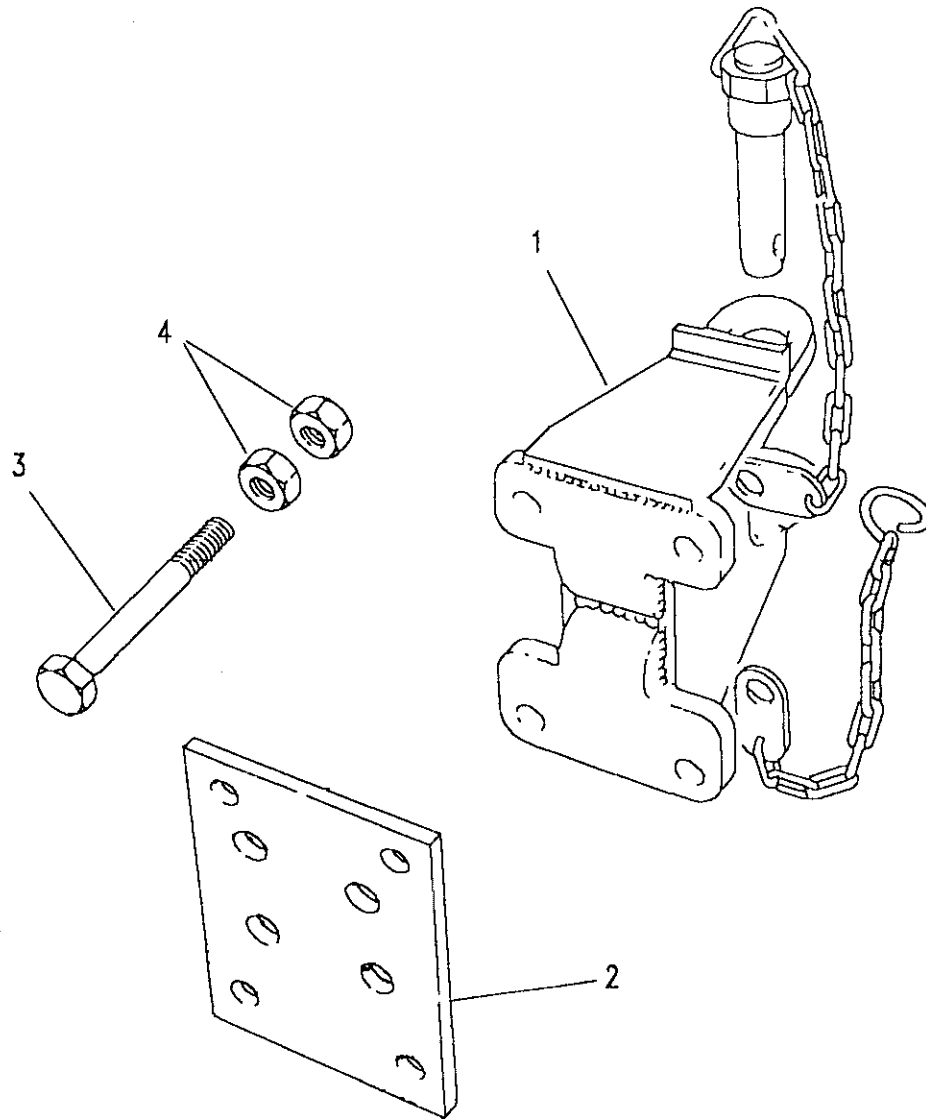




Model DEFENDER 110 1987 onwards  
Page AFTXC11A

OPTIONAL EQUIPMENT - TOWING PINTLE

Ill. Part No.	Description	Qty	Remarks
1	535068	1	Pintle towing
2	NRC8323	1	Stiffener
<b>Fixings - Pintle to crossmember</b>			
3	BH110181L	4	Bolt
4	NH110041L	8	Nut
<b>Fixings - Pintle to drop plate</b>			
	BH110081L	4	Bolt
	NH110041L	8	Nut





DEFENDER 110 1987 onwards

1057

ACCESSORIES - PAINTS

Model DEFENDER 110 1987 onwards  
Page AFTXCI2A

OPTIONAL EQUIPMENT - ROTATING TOWING PINTLE

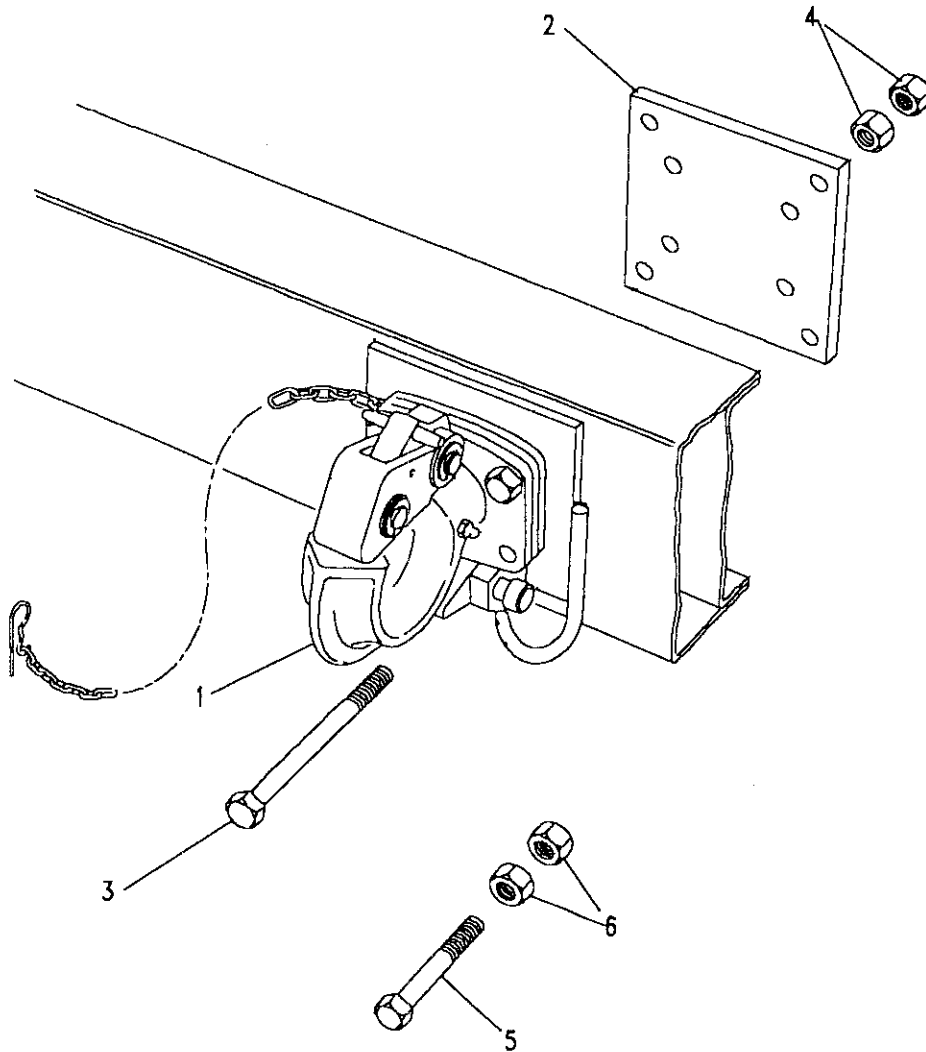
Ill. Part No.	Description	Qty	Remarks
1	NRC2051	1	Pintle towing rotating
2	NRC8323	1	Stiffener

Fixings - Pintle to crossmember

3	BH112241L	4	Bolt
4	NH112041L	8	Nut

Fixings - Pintle to drop plate

5	BH112141L	4	Bolt
6	NH112041L	8	Nut



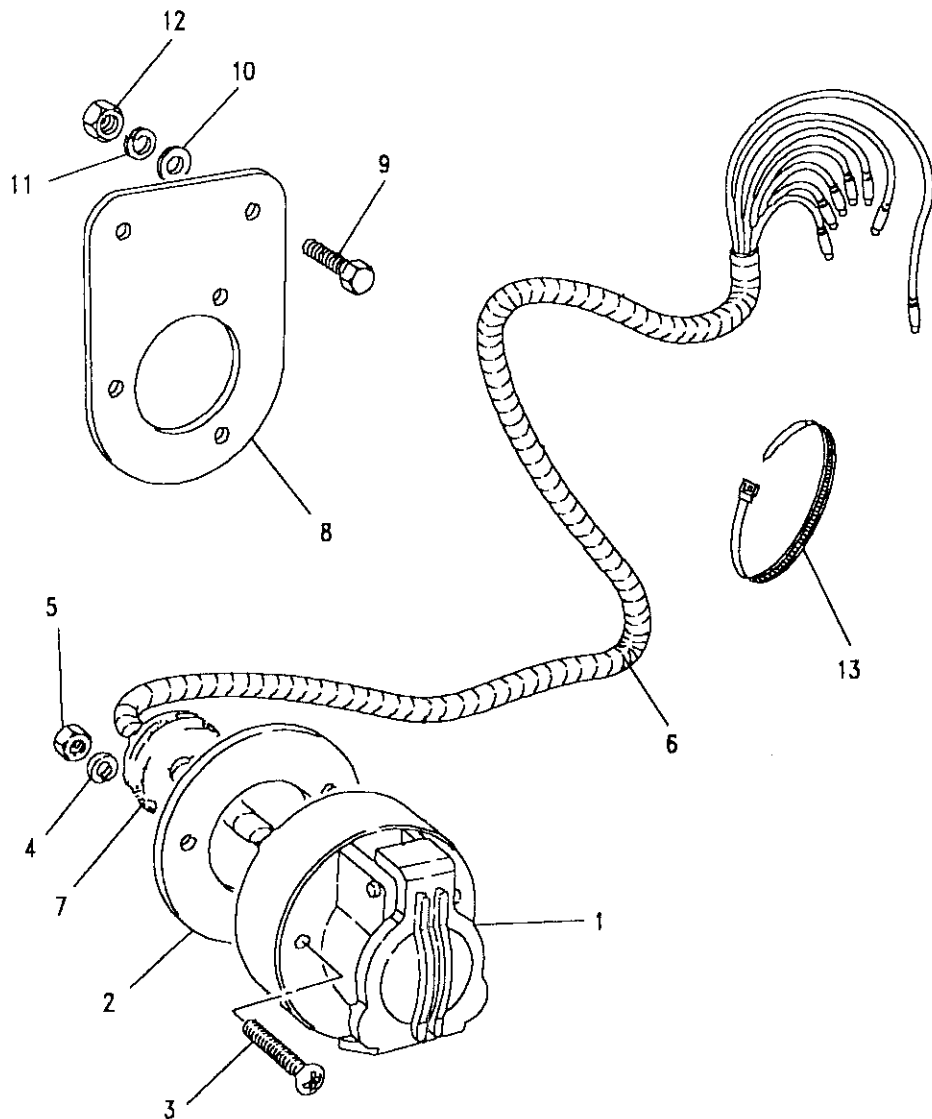
**Model** DEFENDER 110 1987 onwards

**Page** AFTXCK1A

**OPTIONAL EQUIPMENT - TRAILER SOCKET**

III. Part No.	Description	Qty	Remarks
<b>Except Switzerland</b>			
1 579409	Socket trailer	1	7 pin
RTC3729	Socket trailer	1	Additional Note(2)
2 560553	Seal	1	Note(1)
PRC4540	Seal	2	Note(2)
3 SE105351	Screw	6	
4 WL105001	Washer spring	6	
5 NH105041	Nut	6	
<b>UK and Europe.</b>			
6 PRC2403	Cable assembly	1	Note(1)
PRC3543	Cable assembly	1	Note(1) (3)
PRC5357	Cable assembly	1	Note(2)
PRC5874	Cable assembly	1	Note(2) (3)
<b>Rest of World.</b>			
6 PRC4209	Cable assembly	1	Note(1)
PRC3542	Cable assembly	1	Note(1) (3)
PRC5356	Cable assembly	1	Note(2)
PRC6167	Cable assembly	1	Note(2) (3)

Note(1) Upto VIN 283346  
 Note(2) From VIN 283347  
 Note(3) H.C.P.U.



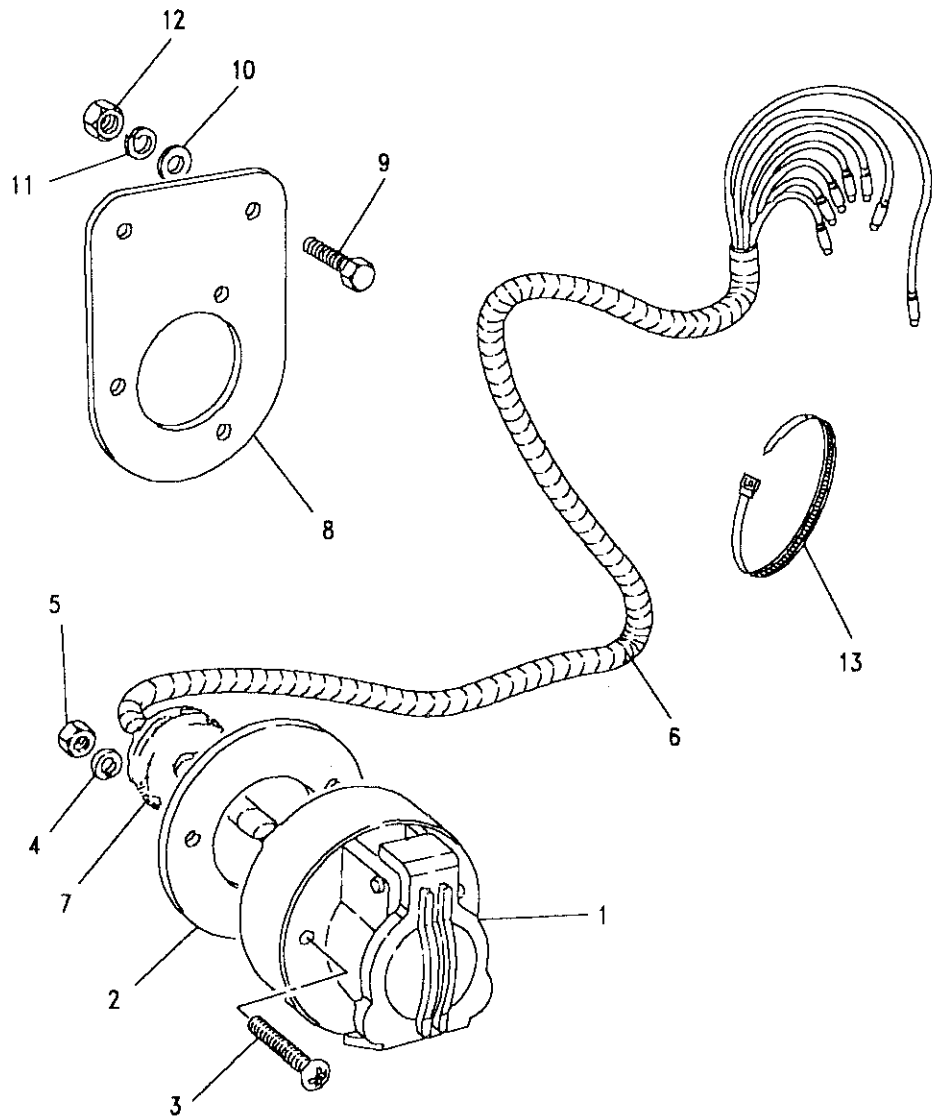


Model DEFENDER 110 1987 onwards

Page AFTXCK1A

OPTIONAL EQUIPMENT - TRAILER SOCKET

III. Part No.	Description	Qty	Remarks
7	PRC2439	1	Grommet
8	NRC8048	2	Bracket
9	SH106251	4	Screw
10	WA106041L	4	Washer plain
11	WL106001	4	Washer lock
12	NH106041L	4	Nut
13	UKC6684L	2	Tie cable



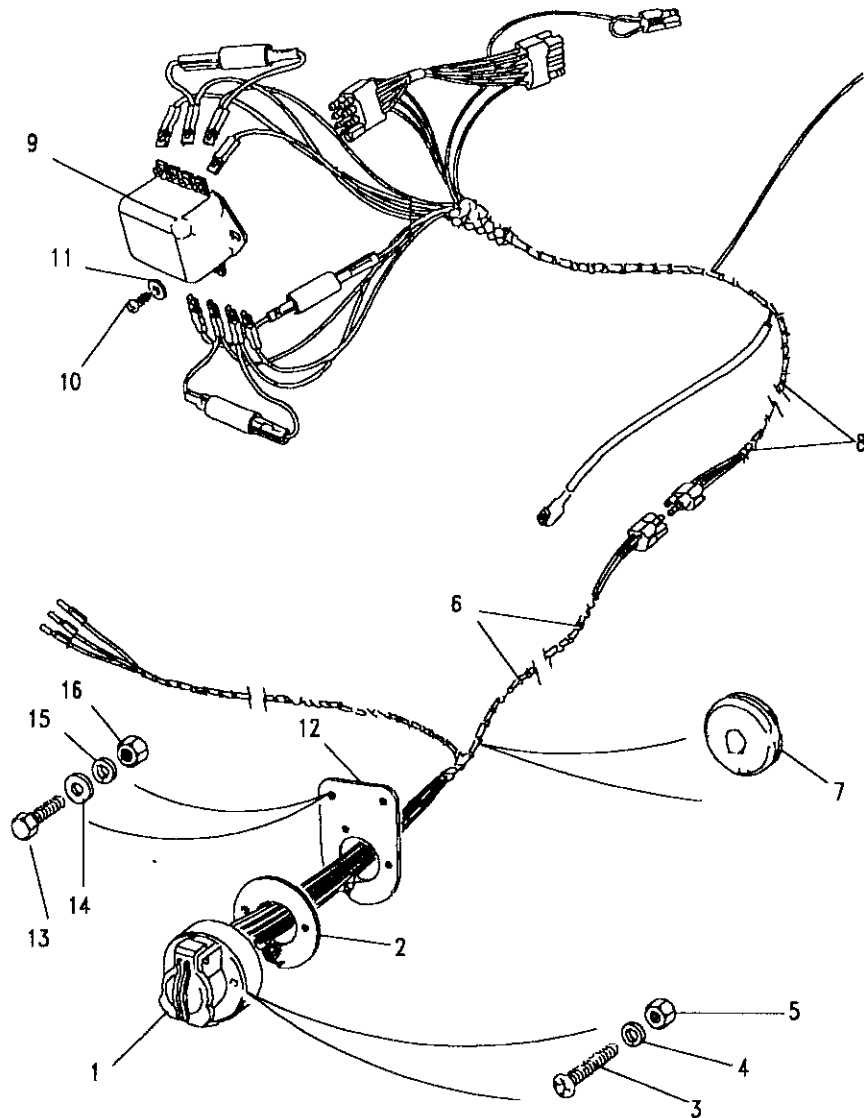


Model DEFENDER 110 1987 onwards  
Page AFTXCK2A

OPTIONAL EQUIPMENT - TRAILER SOCKET

Ill. Part No.	Description	Qty	Remarks
<b>Switzerland</b>			
1	579409	1	7 pin
	RTC3729	1	Additional Note(2)
2	560553	1	Note(1)
	PRC4540	2	Note(2)
3	SE105351	6	
4	WL105001	6	
5	NH105041	6	
6	PRC4127	1	Note(1)
	PRC4152	1	Note(1) (3)
	PRC5883	1	Note(2)
7	PRC2439	1	
8	PRC4151	1	
9	STC1956	1	
10	AB608031	2	
11	WA105001	2	
12	NRC8048	2	
13	SH106251	4	
14	WA106041L	4	
15	WL106001	4	
16	NH106041L	4	

Note(1) Upto VIN 283346  
Note(2) From VIN 283347  
Note(3) H.C.P.U. only.

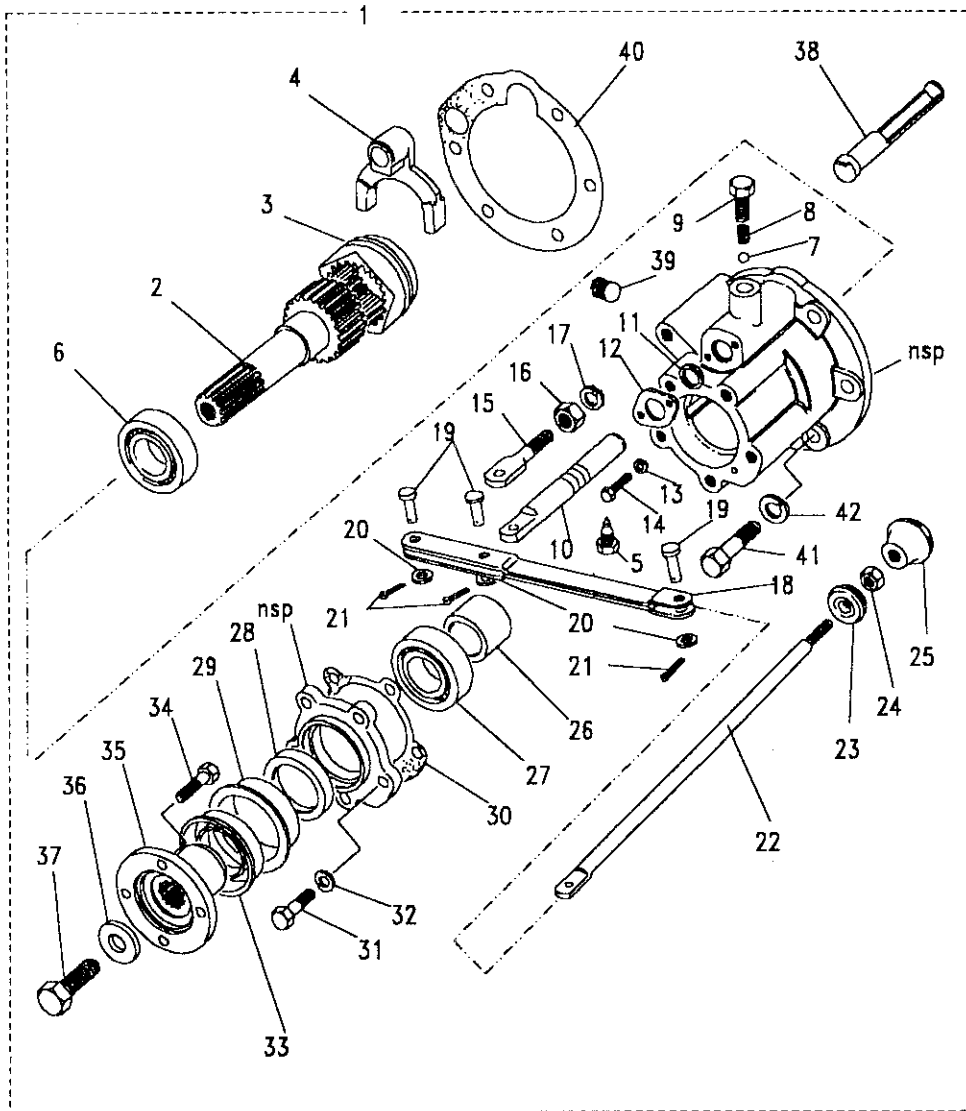


Model DEFENDER 110 1987 onwards

Page AFTXGA1A

OPTIONAL EQUIPMENT - CENTRE POWER TAKE OFF

Ill. Part No.	Description	Qty	Remarks
1	FTC988	1	4 Cylinder
	FRC8541	1	V8 5 speed
2	FRC5376	1	Shaft output
3	FRC5381	1	Dog
4	FRC5379	1	Fork selector
5	FRC7018	1	Screw retaining
6	217325	1	Bearing
7	1643	1	Ball detent
8	NRC255	1	Spring detent
9	SH112201	1	Screw detent
10	FRC5380	1	Shaft selector
11	FRC3477	1	O ring
12	FRC5388	1	Plate
13	WL106001L	2	Washer spring
14	SH106141L	2	Screw
15	576303	1	Pin pivot
16	NH110041L	1	Locknut
17	WM600071	1	Spring
18	FRC5383	1	Lever operating
19	PC106291	3	Pin clevis
20	WA106041L	3	Washer
21	PS103121	3	Pin split

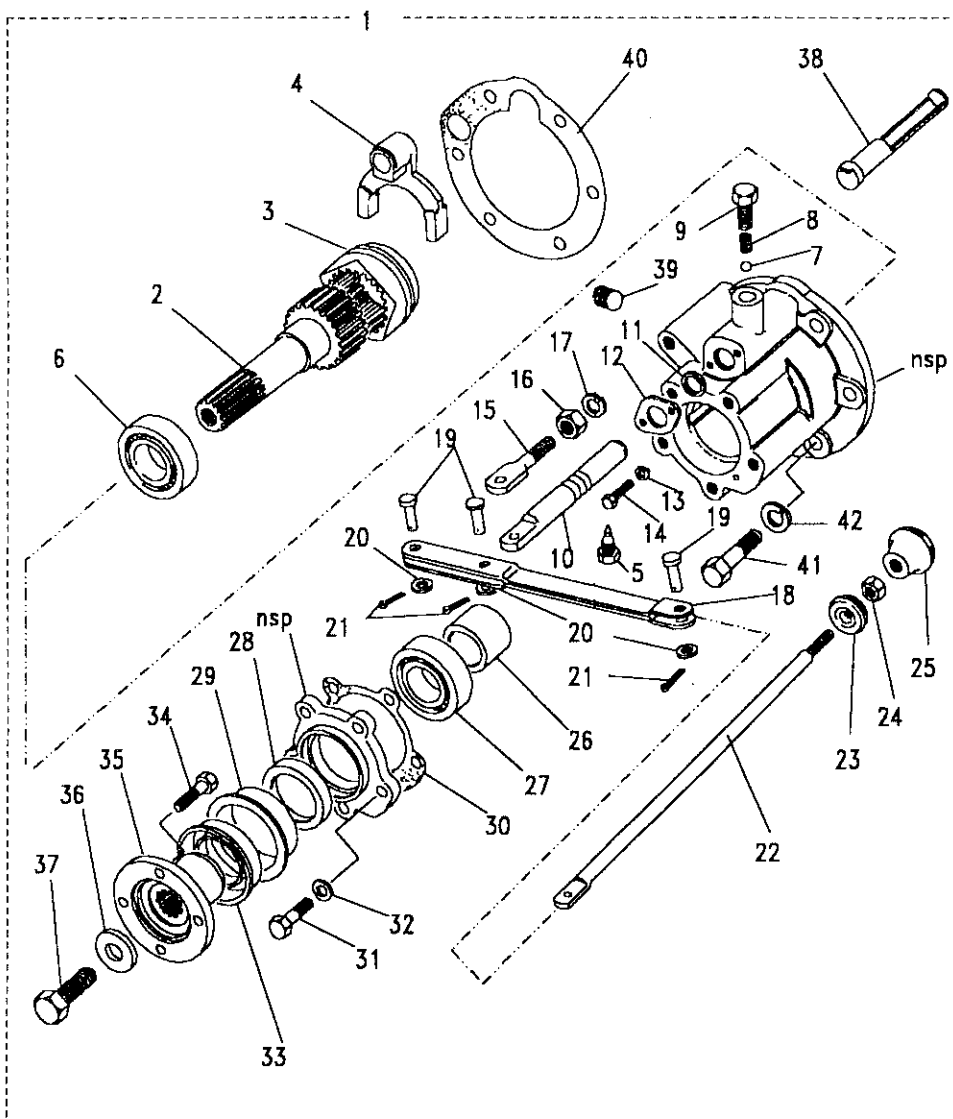


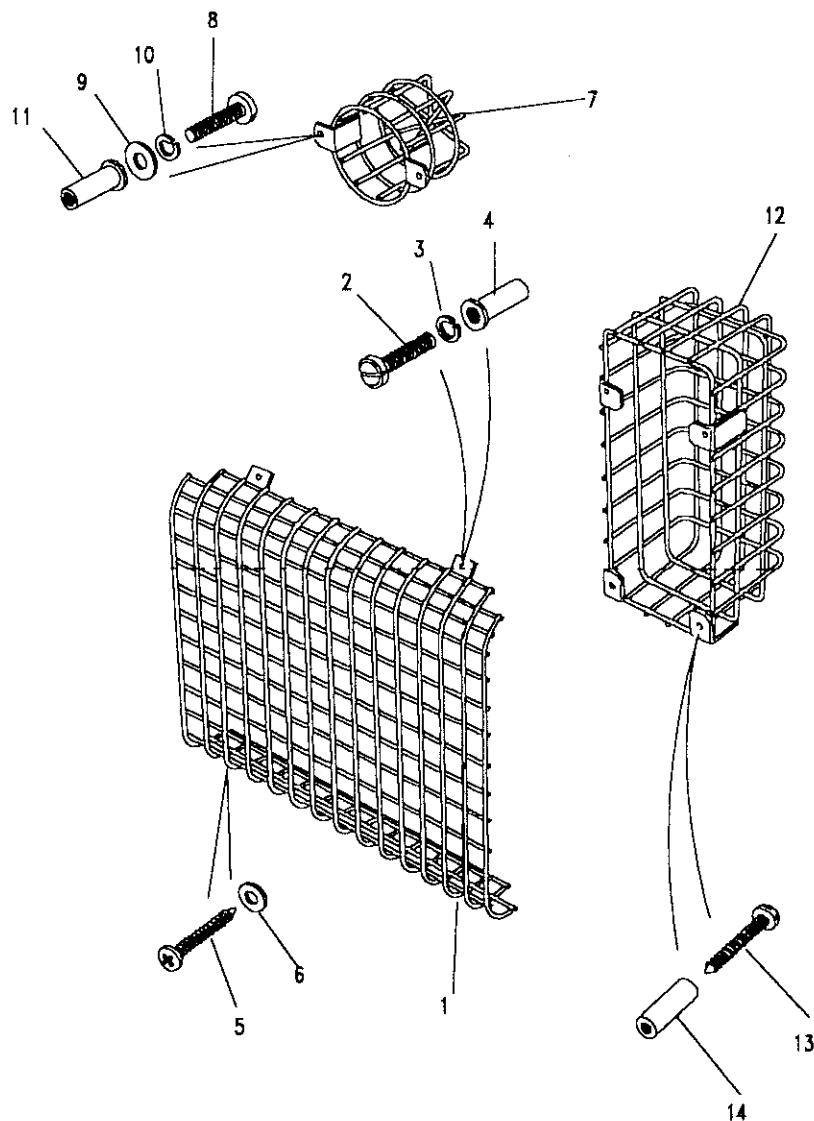
Model DEFENDER 110 1987 onwards

Page AFTXGA1A

OPTIONAL EQUIPMENT - CENTRE POWER TAKE OFF

III. Part No.	Description	Qty	Remarks
22 FRC5391	Rod operating	1	4 Cylinder
FRC8538	Rod operating	1	V8 5 speed
23 508571	Grommet	1	
24 NT110041L	Locknut	1	
25 FRC3470	Knob	1	
26 FRC5385	Spacer	1	
27 STC1130	Bearing	1	
28 FRC5387	Seal oil	1	
29 236548	Mudguard	1	
30 FRC5386	Gasket	1	
31 FS108251L	Screw	5	
32 WL108001L	Washer spring	5	
33 236074	Mudshield	1	
34 509045P	Bolt	4	
35 FRC5378	Flange	1	
36 571174	Washer	1	
37 SH116301	Screw	1	
38 FRC6933	Catcher oil	1	
39 SK110101	Grubscrew	1	No longer available
40 FRC5389	Washer joint	1	
41 BH110091L	Bolt	6	
42 WL110001	Washer spring	6	





Model DEFENDER 110 1987 onwards

Page AFTXIA1A

OPTIONAL EQUIPMENT - LAMP GUARDS

III. Part No.	Description	Qty	Remarks
1	345985	2	Guard lamp front
2	78384	4	Screw
3	WL700101L	4	Washer spring
4	AFU1876	4	Riv Nut
5	AB608047L	4	Screw
6	WC702101	4	Plain Washer
7	RTC8064	1	Kit lamp guard rear
8	78384	4	Screw
9	WC702101	4	Washer plain
10	WL700101L	4	Washer spring
11	AFU1876	4	Riv Nut
12	RTC8065	1	Kit lamp guard rear
13	AB608101L	8	Screw
14	244009	8	Spacer

Note(1) Two Kits Required Per Vehicle



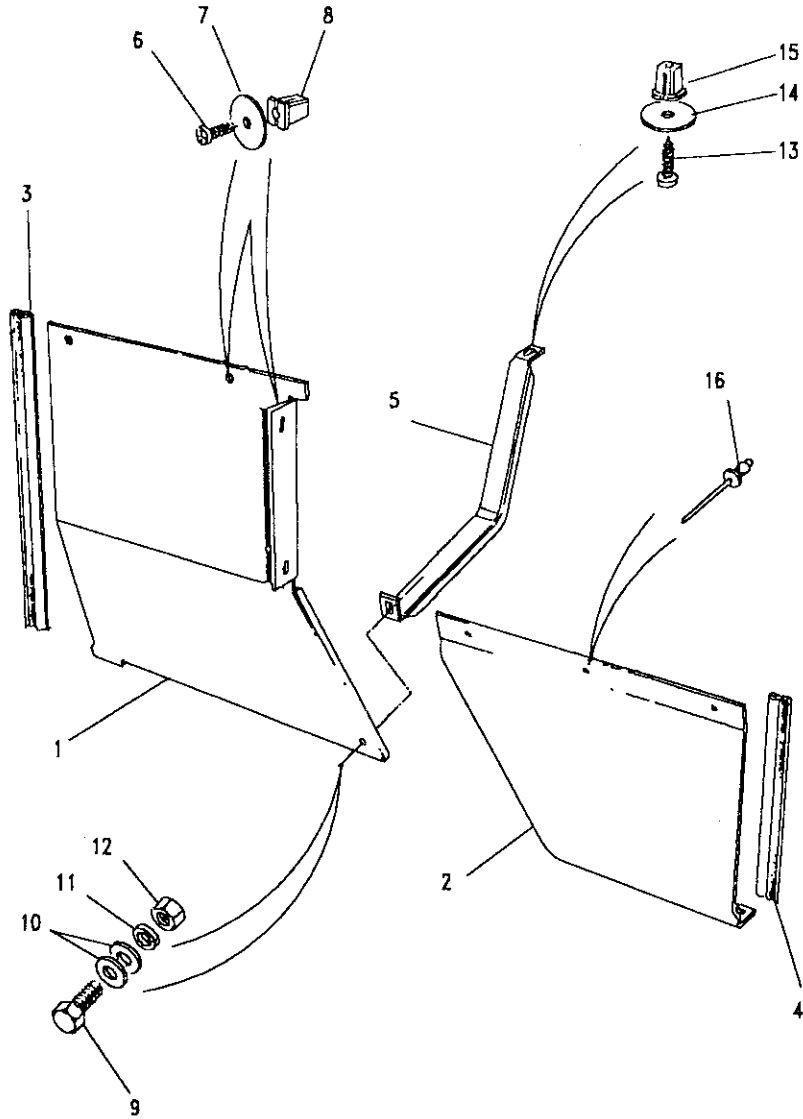




Model DEFENDER 110 1987 onwards  
 Page AFTXIG1A

OPTIONAL EQUIPMENT - WHEELGUARDS - STANDARD PICK UP - TYPE A

Ill. Part No.	Description	Qty	Remarks
1	MRC7359	1	Wheelguard RH
2	MRC7360	1	Wheelguard LH
3	MRC7361	1	Seal RH
4	MRC7362	1	Seal LH
5	MRC8732	1	Stay
6	AB608047L	4	Screw
7	AFU1218L	4	Washer plain
8	RTC3745	4	Nut lokut
9	FS106167L	1	Screw-RH wheelguard
10	WA106041L	2	Washer plain
11	WL106001L	1	Washer spring
12	NH106041L	1	Nut
13	AB608047L	1	Screw
14	AFU1218L	1	Washer plain
15	RTC3745	1	Nut lokut
16	78248	3	Rivet-LH wheelguard

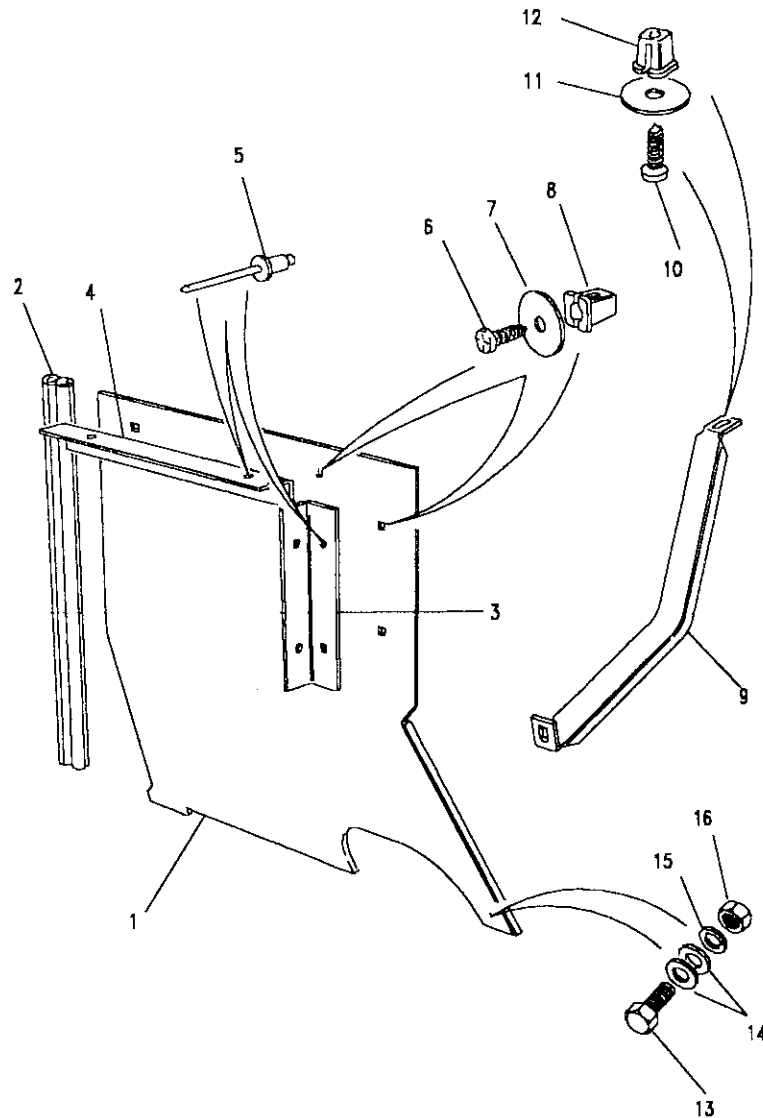




DEFENDER 110 1987 onwards

1065

ACCESSORIES - PAINTS



Model DEFENDER 110 1987 onwards

Page AFTXIG2A

OPTIONAL EQUIPMENT - WHEELGUARDS - STANDARD PICK UP - TYPE B

III. Part No.	Description	Qty	Remarks
1	MWC1058 Wheelguard RH	1	
	MWC1059 Wheelguard LH	1	
2	MRC7361 Seal	2	
3	MWC1062 Bracket mounting side	2	
4	MWC1063 Bracket mounting top	2	
5	78248 Rivet	8	
6	AB608047L Screw drive	8	
7	AFU1218L Washer plain	8	
8	RTC3745 Nut lokut	8	
9	MRC8732 Stay	2	
10	AB608047L Screw drive	2	
11	AFU1218L Washer plain	2	
12	RTC3745 Nut lokut	2	
13	FS106167L Screw	2	
14	WA106001L Washer plain	4	
15	WL106001L Washer spring	2	
16	NH106041L Nut	2	

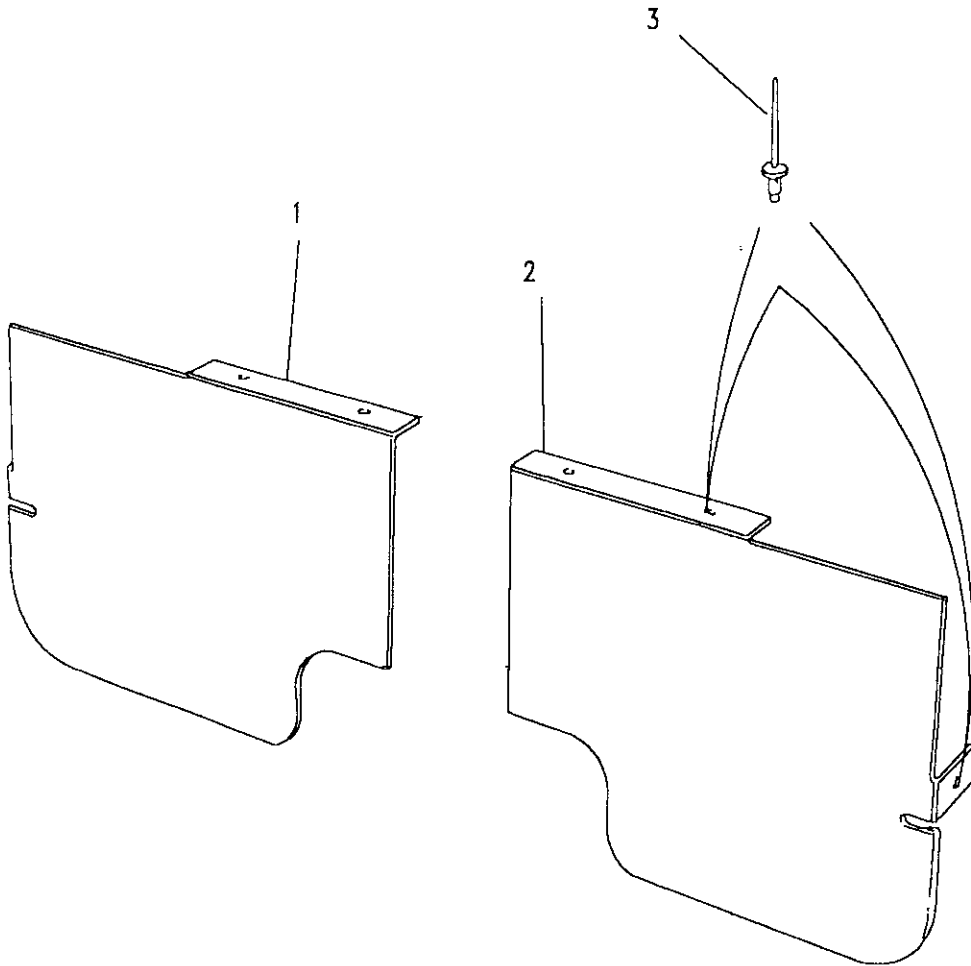




**Model** DEFENDER 110 1987 onwards  
**Page** AFTXIG3A

**OPTIONAL EQUIPMENT - WHEELGUARDS - HCPU**

III. Part No.	Description	Qty	Remarks
1 MTC7041	Panel wheelguard front RH	1	No longer available
MTC7040	Panel wheelguard rear RH	1	No longer available
2 MTC7040	Panel wheelguard front LH	1	No longer available
MTC7004	Panel wheelguard rear LH	1	No longer available
3 RU612183	Rivet	8	
78248	Rivet	8	





DEFENDER 110 1987 onwards

1067

ACCESSORIES - PAINTS

**Model** DEFENDER 110 1987 onwards

**Page** AFTXLG1A

**MISCELLANEOUS - LUBRICANTS**

III. Part No.	Description	Qty	Remarks
<b>Lubricants - UK only</b>			
STC8257	Oil engine shpd 1 litre	A/R	SHPD
STC8256	Oil engine shpd 5 litres	A/R	SHPD
STC8255	Oil engine 1 litre	A/R	15W40
STC8254	Oil engine 5 litres	A/R	15W40
STC8259	Oil gear	A/R	EP90
STC8261	Fluid auto trans	A/R	Dextron II
STC8263	Fluid auto trans	A/R	Type G

**Brake fluid - UK only**

STC8292	Brake fluid	A/R	
---------	-------------	-----	--

**Anti-freeze**

RTC5782A	Anti-freeze 205 ltr	A/R	
RTC5781A	Anti-freeze 5 ltr	A/R	
RTC5779A	Anti-freeze 1 ltr	A/R	

**Product guide**

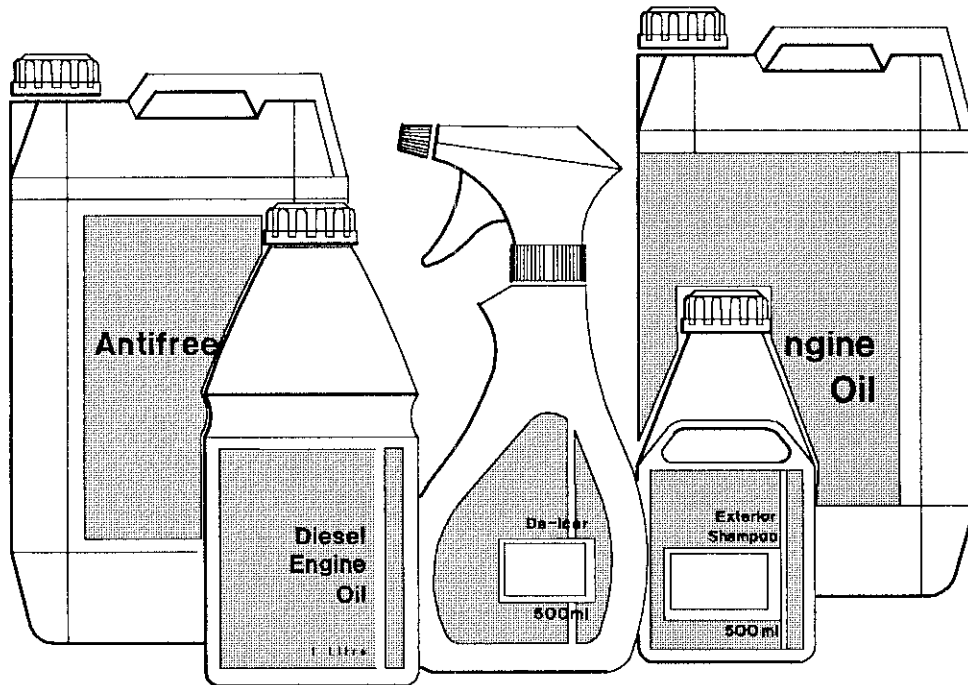
STC8352	Product guide	A/R	
---------	---------------	-----	--

Note(1)

Not available in all territories

Note(2)

For application details see product guide STC8352





DEFENDER 110 1987 onwards

1068

ACCESSORIES - PAINTS

Model DEFENDER 110 1987 onwards

Page AFTXLG1A

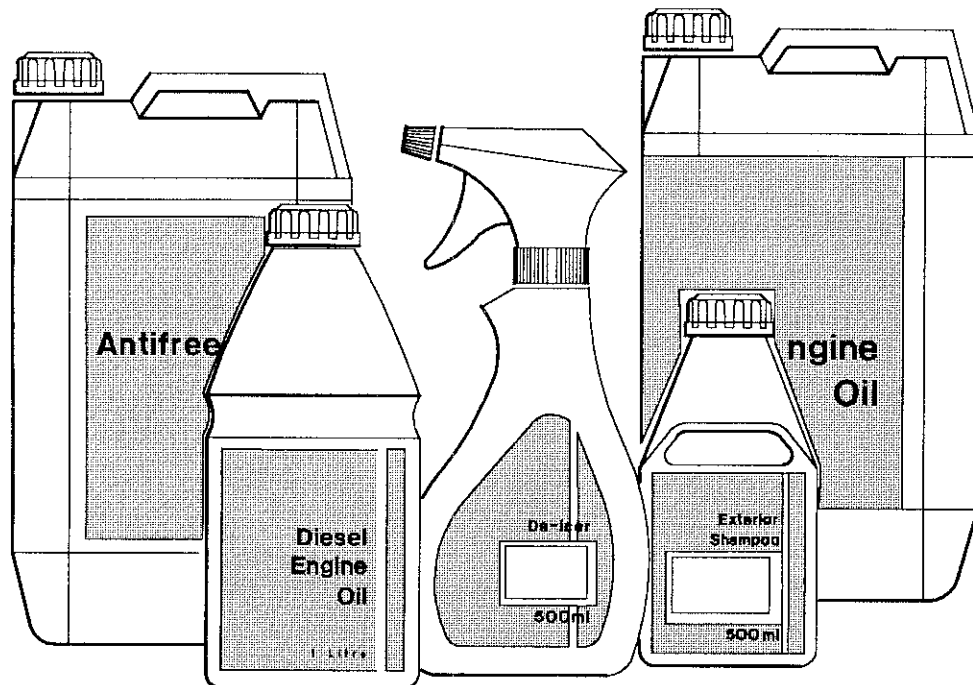
MISCELLANEOUS - CAR CARE

III. Part No. Description Qty Remarks

Europe only

STC8249	Screenwash	A/R	1 Bottle
STC717	De icer	A/R	500 ml trigger
STC718	Alloy wheel cleaner	A/R	500 ml trigger
STC719	Glass cleaner	A/R	500 ml trigger
STC721	Black bumper cleaner	A/R	500 ml bottle
STC722	Shampoo	A/R	500 ml bottle
STC723	Polish wax	A/R	500 ml bottle

Note(1) Not available in all territories





DEFENDER 110 1987 onwards

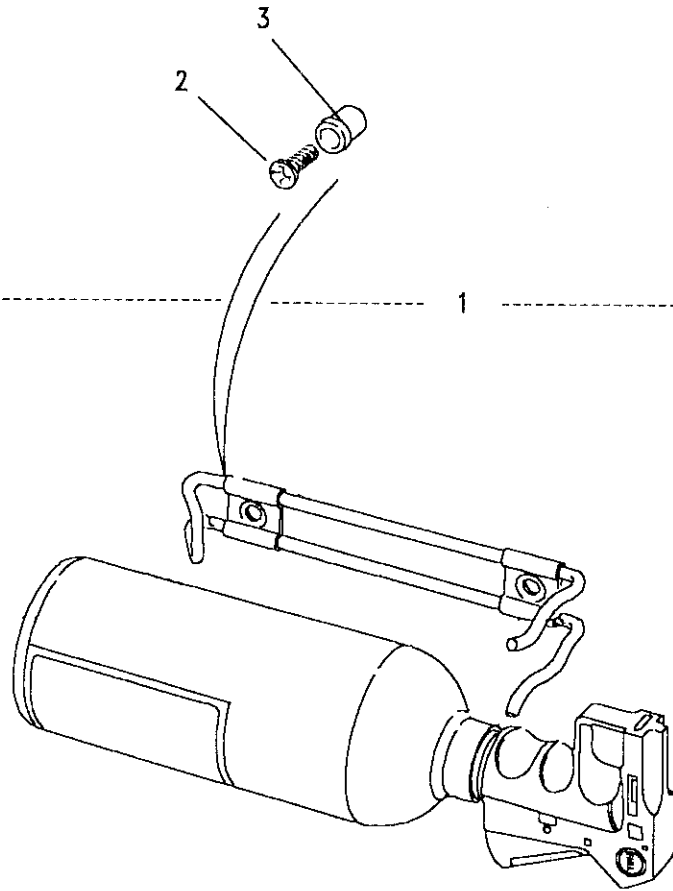
1069

ACCESSORIES - PAINTS

**Model** DEFENDER 110 1987 onwards  
**Page** AFTXMA1A

**OPTIONAL EQUIPMENT - FIRE EXTINGUISHER**

III. Part No.	Description	Qty	Remarks
1 MRC7350	Extinguisher fire with bracket	1	Upto VIN KA922469
2 SF106161	Screw	2	
3 MM106301L	Rivnut	2	
1 ANR2948	Extinguisher fire	1	From VIN KA922470
2 SF105201	Screw	2	
3 NN105021L	Rivnut	2	





DEFENDER 110 1987 onwards

1070

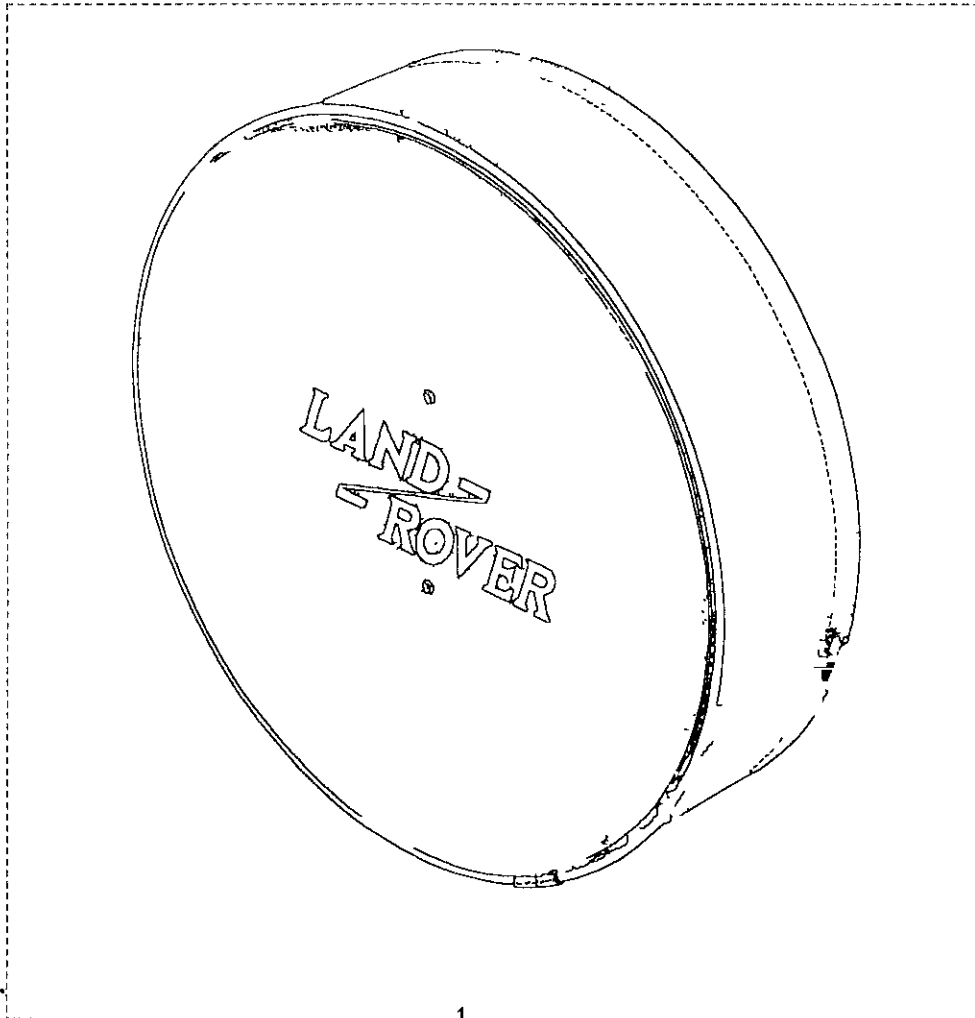
ACCESSORIES - PAINTS

Model DEFENDER 110 1987 onwards

Page AFTXPA1A

OPTIONAL EQUIPMENT - SPARE WHEEL COVER

III. Part No.	Description	Qty	Remarks
Upto VIN FA414615			
1 MRC7365	Cover spare wheel	1	Option No longer available Use MXC6407 SeeAFTXPA2A
1 MUC4161	Cover spare wheel	1	Germany





DEFENDER 110 1987 onwards

1071

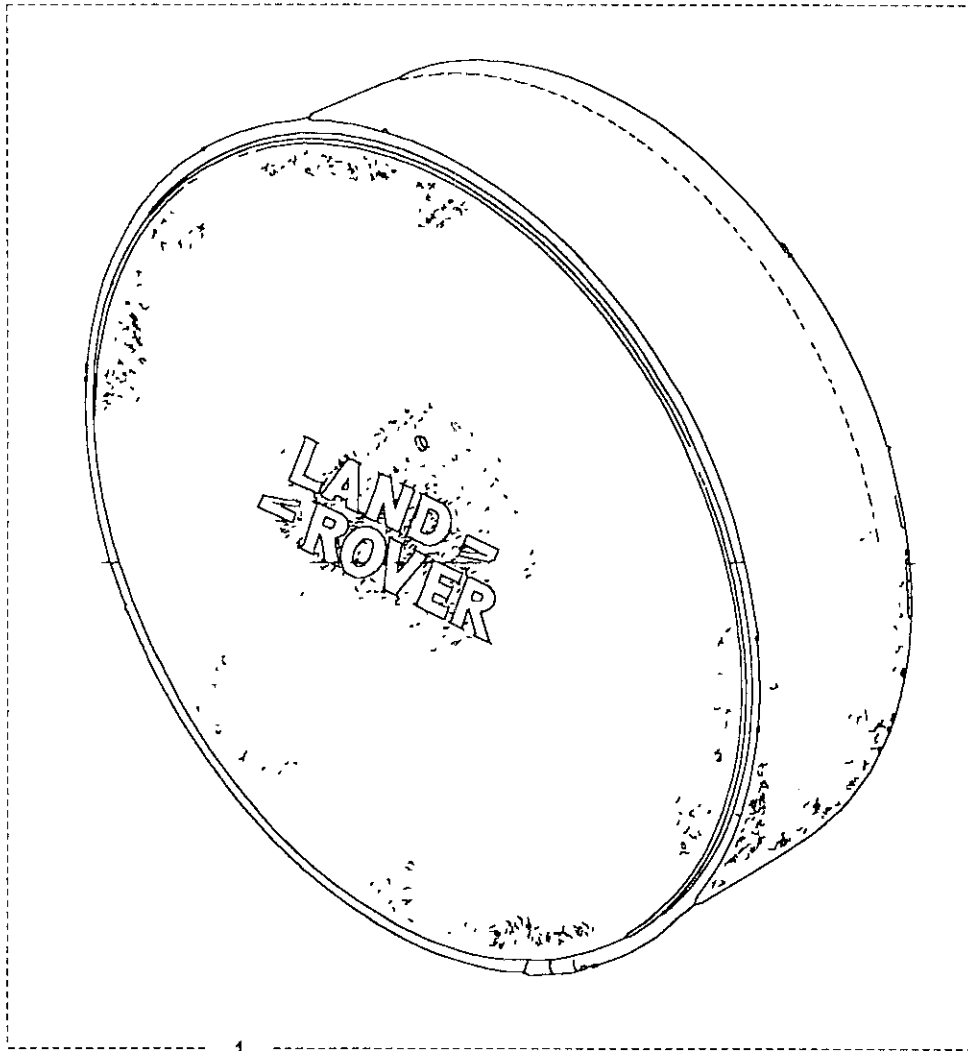
ACCESSORIES - PAINTS

Model DEFENDER 110 1987 onwards

Page AFTXPA2A

OPTIONAL EQUIPMENT - SPARE WHEEL COVER

III. Part No.	Description	Qty	Remarks
From VIN FA414616 upto VIN HA906578			
1 MXC6407	Cover spare wheel	1	Option
1 MXC6405	Cover spare wheel	1	Germany



1



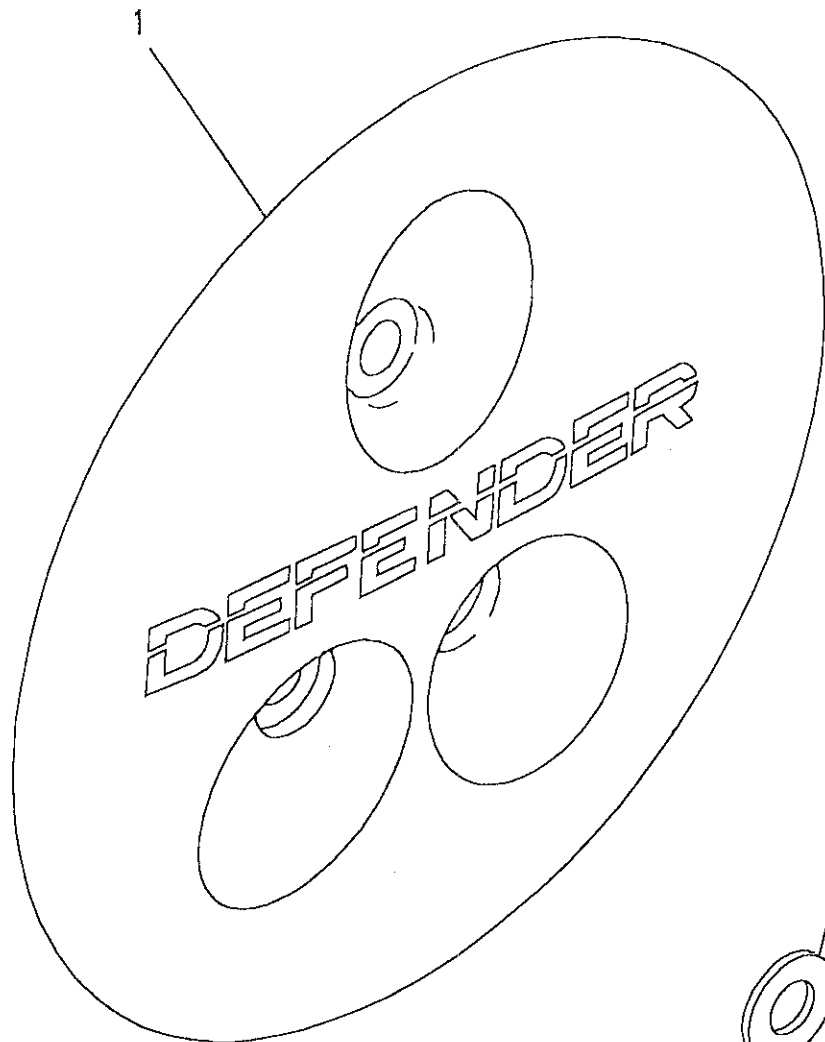




DEFENDER 110 1987 onwards

1072

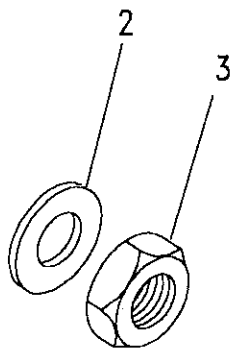
ACCESSORIES - PAINTS



**Model** DEFENDER 110 1987 onwards  
**Page** AFTXPA3A

**OPTIONAL EQUIPMENT - SPARE WHEEL COVER**

III. Part No.	Description	Qty	Remarks
<b>From VIN JA906579</b>			
1	BTR2129NUC	1	Cover spare wheel
2	MXC7335	3	Washer plastic
3	MXC7887	3	Nut M16

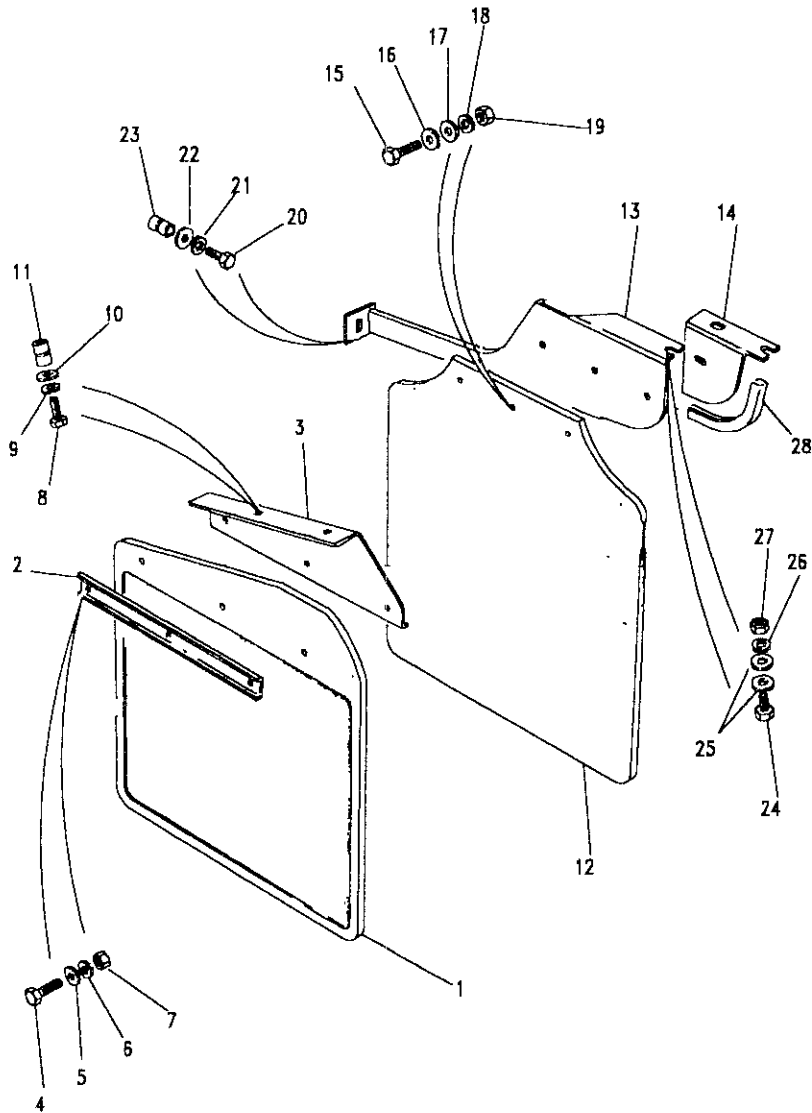




Model DEFENDER 110 1987 onwards

Page AFTXSA1A

OPTIONAL EQUIPMENT - MUD FLAPS



III. Part No.	Description	Qty	Remarks
1	RTC4685	1	
2	MTC3874	2	
3	MTC3000	1	
	MTC3001	1	
4	SH106251L	6	
5	WA106041L	6	
6	WL106001L	6	
7	NH106041L	6	
8	FS106201L	4	
9	WL106001L	4	
10	WA106041L	4	
11	NN106021	4	
12	RTC4686	1	Note(1)
	MXC6411	2	Note(2)
	BTR277	2	Note(2)
	BTR277	2	Note(3)
13	MTC8358	1	
	MTC8357	1	
14	MTC8440	1	HCPU
	MTC8441	1	HCPU
15	FS106167L	6	
16	WJ600041L	6	
17	2790	6	
18	WL106001L	6	

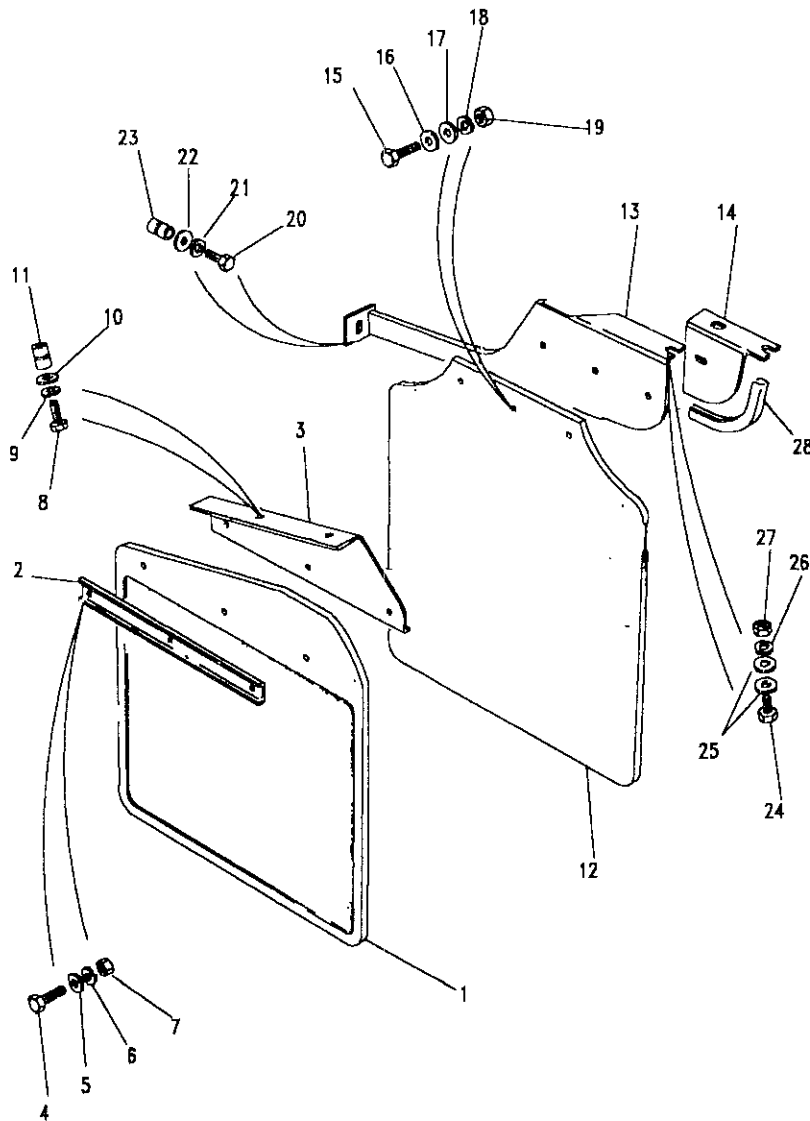
Note(1) Upto VIN FA414615  
 Note(2) From VIN FA414616  
 Note(3) From VIN FA417112-HCPU





Model DEFENDER 110 1987 onwards  
Page AFTXSA1A

OPTIONAL EQUIPMENT - MUD FLAPS



III. Part No.	Description	Qty	Remarks
19	NH106041L Nut	6	
20	FS106167L Screw	2	Note(1)
	FS106201L Flange screw	2	
21	WL106001L Washer spring	2	
22	WA106041L Washer plain	2	
23	NN106011 Nutsert	2	
24	FS106167L Screw	4	Note(1)
25	WA106041L Washer plain	8	
26	WL106001L Washer spring	4	
27	NH106041L Nut	4	
28	MTC7513 Strip edging	A/R	Germany

Note(1) Upto VIN FA414615  
Note(2) From VIN FA414616





**MASTER INDEX**

PAGES

INTRODUCTION PAGES	1 - 7
ALPHABETICAL INDEX	8 - 16
ENGINE	17 - 66
ENGINE	67 - 119
ENGINE	120 - 166
ENGINE	167 - 209
ENGINE	210 - 245
ENGINE	246 - 299
GEARBOX	300 - 326
GEARBOX	327 - 344
GEARBOX	345 - 359
TRANSFER BOX	360 - 378
TRANSFER BOX	379 - 397
AXLES AND SUSPENSION	398 - 444
STEERING	445 - 471
VEHICLE AND ENGINE CONTROLS	472 - 486
BRAKES	487 - 517
FUEL SYSTEM AND AIR CLEANER	518 - 579
EXHAUST SYSTEM	580 - 593
COOLING/HEATING	594 - 637
COOLING/HEATING	638 - 641
COOLING/HEATING	642 - 649
COOLING/HEATING	650 - 655
COOLING/HEATING	656 - 666
BODY ELECTRICAL	667 - 740
BODY AND CHASSIS	741 - 909
INTERIOR TRIM	910 - 955
SEATS	956 - 1036
STOWAGE	1037 - 1046
ACCESSORIES - PAINTS	1047 - 1074
NUMERICAL INDEX	1076 - 1151





## DEFENDER 110 1987 onwards

1076

## NUMERICAL INDEX

PART NO	PAGE	PART NO	PAGE	PART NO	PAGE	PART NO	PAGE	PART NO	PAGE	PART NO	PAGE
AAM222L	712	AAU5034	697	AB606022L	669	AB606084	922	AB608047L	752	AB610061L	960
AAM222L	722	AAU5034	713	AB606031L	797	AB606084	928	AB608047L	933	AB610061L	961
AAP810	626	AAU5034	740	AB606031L	821	AB606084	934	AB608051	665	AB610081	960
AAP811	626	AAU6774	821	AB606031L	926	AB606084	936	AB608051L	911	AB610081L	803
AAP817	626	AAU6774	846	AB606034	726	AB606124	728	AB608054L	629	AB610081L	806
AAP876	627	AAU6774	848	AB606034	728	AB608031	1060	AB608054L	666	AB610124L	911
AAP890	627	AAU6774	849	AB606041	921	AB608031L	482	AB608054L	752	AB612051L	716
AAP938	627	AAU6774	850	AB606041L	492	AB608031L	696	AB608054L	914	AB614061	728
AAP939	627	AAU6919	846	AB606041L	672	AB608031L	709	AB608054L	935	AB614061L	528
AAU1700	493	AAU6920	849	AB606041L	678	AB608031L	716	AB608061L	928	AB614061L	59
AAU1979	51	AAU7803	496	AB606041L	679	AB608031L	832	AB608061L	932	AB614061L	754
AAU1979	605	AAU7803	498	AB606041L	808	AB608031L	840	AB608061L	936	AB614061L	755
AAU1979	608	AAU7803	501	AB606041L	811	AB60804	930	AB608064L	918	AB614061L	756
AAU2249L	114	AAU8182	848	AB606041L	915	AB608041	567	AB608065L	625	AB614061L	783
AAU2249L	161	AAU8276	711	AB606041L	926	AB608041L	912	AB608067L	569	AB614061L	937
AAU2249L	205	AAU9036	778	AB606041L	927	AB608044L	722	AB608101L	1063	AB614064	911
AAU2249L	291	AAU9902	103	AB606041L	950	AB608044L	781	AB608107	932	AB614065L	769
AAU2249L	63	AAU9902	546	AB606041L	953	AB608044L	923	AB608107	936	AB614081L	868
AAU2304	369	AAU9902	549	AB606041L	961	AB608047	566	AB610031L	271	AB614081L	870
AAU2304	391	AAU9903	103	AB606044L	723	AB608047	669	AB610031L	280	AB614081L	938
AAU2367	906	AAU9903	546	AB606044L	912	AB608047	670	AB610031L	557	AB614088	770
AAU2367	907	AAU9903	549	AB606044L	915	AB608047	671	AB610041L	482	ACU1161	848
AAU2825	425	AA606044L	710	AB606051L	734	AB608047	689	AB610041L	710	ACU1161	849
AAU3509	534	AA606044L	921	AB606051L	736	AB608047L	1063	AB610041L	872	ACU1762	848
AAU3686	475	AA610031	872	AB606051L	936	AB608047L	1064	AB610051L	1018	ACU1762	849
AAU3686	690	AA610031	873	AB606054L	949	AB608047L	1065	AB610051L	1020	ACU2063	848
AAU3686	693	AB600031	556	AB606057	769	AB608047L	629	AB610051L	1023	ACU3530	821
AAU3686	702	AB605051L	737	AB606057	801	AB608047L	666	AB610051L	689	ACU3530	848
AAU3686	783	AB606021	664	AB606061L	29	AB608047L	676	AB610051L	751	ACU3530	850
AAU5034	688	AB606021L	659	AB606064L	911	AB608047L	695	AB610051L	761	ACU3777	845





## DEFENDER 110 1987 onwards

1077

## NUMERICAL INDEX

PART NO	PAGE	PART NO	PAGE	PART NO	PAGE	PART NO	PAGE	PART NO	PAGE	PART NO	PAGE
ACU3777	848	ADU4928L	113	AEU1192	285	AEU1688	285	AEU1710	111	AEU1778	54
ACU5037	730	ADU4928L	62	AEU1192	55	AEU1688	55	AEU1710	113	AEU1779	107
ACU5037	731	ADU5727L	803	AEU1198	663	AEU1689	108	AEU1710	60	AEU1779	156
ACU5037	732	ADU5727L	806	AEU1205	663	AEU1689	157	AEU1710	62	AEU1779	201
ACU5037	733	ADU6409L	734	AEU1213	640	AEU1689	202	AEU1725	113	AEU1779	284
ACU5037	734	ADU6409L	736	AEU1213	644	AEU1689	285	AEU1725	62	AEU1779	54
ACU5037	736	ADU6409L	737	AEU1214	640	AEU1689	55	AEU1726	113	AEU1780	107
ACU5037	737	ADU6418L	734	AEU1214	644	AEU1690	108	AEU1726	62	AEU1780	156
ACU5037	738	ADU6418L	736	AEU1248	461	AEU1690	157	AEU1742	669	AEU1780	201
ACU5431	665	ADU6418L	737	AEU1355	669	AEU1690	202	AEU1747	699	AEU1780	284
AC606031L	802	ADU6693L	733	AEU1446	517	AEU1690	285	AEU1750L	299	AEU1780	54
AC606031L	805	ADU6693L	734	AEU1488	426	AEU1690	55	AEU1775	107	AEU1782	107
AC606041L	802	ADU8363L	469	AEU1489	426	AEU1691	108	AEU1775	156	AEU1782	156
AC606041L	805	ADU8363L	470	AEU1527	113	AEU1691	157	AEU1775	201	AEU1782	201
AC606044L	1023	ADU8363L	471	AEU1527	62	AEU1691	202	AEU1775	284	AEU1782	284
AC606064L	915	ADU8846L	495	AEU1532	111	AEU1691	285	AEU1775	54	AEU1782	54
AC606081L	862	ADU8846L	497	AEU1532	113	AEU1691	55	AEU1776	107	AEU1784	107
AC606081L	864	ADU8846L	501	AEU1532	60	AEU1694	107	AEU1776	156	AEU1784	156
AC606104	912	ADU9081L	469	AEU1532	62	AEU1694	156	AEU1776	201	AEU1784	201
AC608041L	625	AD606041L	914	AEU1616	113	AEU1694	201	AEU1776	284	AEU1784	284
AC608065	665	AD606044L	723	AEU1616	62	AEU1694	284	AEU1776	54	AEU1784	54
ADU1784L	735	AD606044L	911	AEU1626	636	AEU1694	54	AEU1777	107	AEU1785	107
ADU1784L	736	AD606074L	727	AEU1626	647	AEU1706	111	AEU1777	156	AEU1785	156
ADU1784L	737	AD606074L	728	AEU1627	636	AEU1706	113	AEU1777	201	AEU1785	201
ADU2888L	514	AEU1034	58	AEU1627	647	AEU1706	60	AEU1777	284	AEU1785	284
ADU3430	776	AEU1044	488	AEU1628	647	AEU1706	62	AEU1777	54	AEU1785	54
ADU3469L	993	AEU1045	488	AEU1652	674	AEU1708	113	AEU1778	107	AEU1786	108
ADU3905	730	AEU1192	108	AEU1688	108	AEU1708	62	AEU1778	156	AEU1786	157
ADU3905	732	AEU1192	157	AEU1688	157	AEU1709	113	AEU1778	201	AEU1786	202
ADU3905	738	AEU1192	202	AEU1688	202	AEU1709	62	AEU1778	284	AEU1786	285





## DEFENDER 110 1987 onwards

1078

## NUMERICAL INDEX

PART NO	PAGE	PART NO	PAGE	PART NO	PAGE	PART NO	PAGE	PART NO	PAGE	PART NO	PAGE
AEU1786	55	AEU1942	60	AEU2573	47	AEU2737	397	AEU4019	453	AFU1080	800
AEU1787	108	AEU2129L	195	AEU2574	47	AEU2738	377	AEU4020	453	AFU1080	814
AEU1787	157	AEU2147L	547	AEU2575	46	AEU2738	397	AEU4021	453	AFU1080	856
AEU1787	202	AEU2147L	548	AEU2577	46	AEU2741	488	AEU4023	453	AFU1080	860
AEU1787	285	AEU2148L	547	AEU2578	46	AEU2761	452	AEU4024	453	AFU1080	865
AEU1787	55	AEU2148L	548	AEU2579	47	AEU2805	825	AEU4025	451	AFU1080	900
AEU1788	108	AEU2149L	547	AEU2580	46	AEU2806	825	AEU4025	453	AFU1080	904
AEU1788	157	AEU2149L	548	AEU2582	46	AEU3015	488	AEU4025	455	AFU1080	995
AEU1788	202	AEU2496	509	AEU2583	46	AEU3055	640	AEU4026	451	AFU1085L	576
AEU1788	285	AEU2497	509	AEU2584	46	AEU3055	644	AEU4026	453	AFU1085L	577
AEU1788	55	AEU2498	509	AEU2585	46	AEU3055	647	AEU4026	455	AFU1085L	578
AEU1790	108	AEU2507	111	AEU2718	105	AEU3056	636	AFU1004	1043	AFU1090L	24
AEU1790	157	AEU2507	60	AEU2718	154	AEU3056	647	AFU1024L	1043	AFU1090L	30
AEU1790	202	AEU2508	425	AEU2719	105	AEU3067	636	AFU1031	507	AFU1090L	66
AEU1790	285	AEU2515	425	AEU2719	154	AEU3068	636	AFU1036	793	AFU1090L	694
AEU1790	55	AEU2520	414	AEU2720	105	AEU3076	111	AFU1069	1032	AFU1090L	700
AEU1791	108	AEU2521	414	AEU2720	154	AEU3076	113	AFU1069	764	AFU1090L	703
AEU1791	157	AEU2522	414	AEU2721	725	AEU3076	60	AFU1069	783	AFU1090L	704
AEU1791	202	AEU2539	507	AEU2722	725	AEU4000	665	AFU1070	1002	AFU1104	776
AEU1791	285	AEU2539	508	AEU2723	725	AEU4001	665	AFU1070	1009	AFU1172	939
AEU1791	55	AEU2558	47	AEU2724	725	AEU4002	659	AFU1070	999	AFU1181	420
AEU1792	108	AEU2560	47	AEU2733	377	AEU4002	660	AFU1071	939	AFU1218L	1064
AEU1792	157	AEU2562	47	AEU2733	397	AEU4002	661	AFU1075	785	AFU1218L	1065
AEU1792	202	AEU2563	47	AEU2734	377	AEU4002	664	AFU1075	875	AFU1218L	722
AEU1792	285	AEU2564	47	AEU2734	397	AEU4013	453	AFU1077L	475	AFU1218L	876
AEU1792	55	AEU2565	46	AEU2735	377	AEU4014	453	AFU1077L	577	AFU1234	415
AEU1880	509	AEU2566	46	AEU2735	397	AEU4015	453	AFU1079	1031	AFU1234	417
AEU1891	488	AEU2569	47	AEU2736	377	AEU4016	453	AFU1079	1033	AFU1247	961
AEU1915	62	AEU2570	47	AEU2736	397	AEU4017	453	AFU1079	783	AFU1248	715
AEU1942	111	AEU2571	47	AEU2737	377	AEU4018	453	AFU1079	837	AFU1248	911





## DEFENDER 110 1987 onwards

1079

## NUMERICAL INDEX

PART NO	PAGE	PART NO	PAGE	PART NO	PAGE	PART NO	PAGE	PART NO	PAGE	PART NO	PAGE
AFU1248	914	AFU1876	1063	AFU1900	936	AH614011L	778	ALR1618	752	ALR2414	782
AFU1256	1038	AFU1876	821	AFU1926	567	AJU1136	567	ALR1619	752	ALR2415	782
AFU1256	1041	AFU1879L	125	AFU1926L	566	AJU1136L	569	ALR1737	787	ALR2622	739
AFU1256	801	AFU1879L	126	AFU1926L	673	AJ606011L	912	ALR1742	756	ALR3966	825
AFU1256	939	AFU1879L	172	AFU2501	916	AJ606041	723	ALR1743	756	ALR3970	782
AFU1257	752	AFU1879L	73	AFU2501	917	AJ608031	722	ALR1752	758	ALR4057	782
AFU1259	813	AFU1879L	74	AFU2503	906	AJ608041	625	ALR1753	758	ALR4065	807
AFU1259	819	AFU1882L	125	AFU2503	907	AK606011L	710	ALR1757	754	ALR4065	810
AFU1261	939	AFU1882L	172	AFU2504	906	AK606011L	914	ALR1800	788	ALR4532	803
AFU1262	794	AFU1882L	214	AFU2504	907	AK606011L	921	ALR1801	788	ALR4533	803
AFU1263	989	AFU1882L	28	AFU2627	478	AK606021L	672	ALR1982	598	ALR4534	806
AFU1265	1046	AFU1882L	73	AFU2636	722	AK606031	911	ALR2136	750	ALR4535	806
AFU1271	682	AFU1887L	125	AFU2636	753	AK606031	912	ALR2138	750	ALR4540	788
AFU1272	682	AFU1887L	126	AFU2636	921	AK606031	915	ALR2220	752	ALR4541	788
AFU1298	1032	AFU1887L	172	AFU2651	997	AK608021	629	ALR2261	782	ALR4542	792
AFU1350	1032	AFU1887L	224	AFU2692	914	AK608021	666	ALR2262	782	ALR4543	792
AFU1350	1036	AFU1887L	73	AFU2778	581	AK608141L	739	ALR2264	782	ALR4564	773
AFU1350	517	AFU1887L	74	AFU2813	912	AK610021L	876	ALR2265	782	ALR4652	813
AFU1350	824	AFU1890L	141	AFU2813	915	AK612011L	492	ALR2302	855	ALR4652	819
AFU1386	747	AFU1890L	37	AFU2875	1018	AK612011L	769	ALR2303	855	ALR4769	801
AFU1387	747	AFU1890L	38	AFU2875	1020	AK616011	778	ALR2318	790	ALR4770	801
AFU1400	377	AFU1890L	92	AFU2875	1023	ALR1157	856	ALR2318	793	ALR4771	802
AFU1400	378	AFU1897	728	AFU2879	740	ALR1158	860	ALR2319	790	ALR4772	802
AFU1400	397	AFU1897	912	AFU4162	901	ALR1161	826	ALR2319	793	ALR4773	802
AFU1497	939	AFU1897LDE	513	AFU4173	323	ALR1339	769	ALR2321	790	ALR4774	802
AFU1499	744	AFU1897LDE	949	AFU4173	344	ALR1460	873	ALR2322	790	ALR4775	804
AFU1841	821	AFU1900	928	AFU4173	755	ALR1466	824	ALR2377	892	ALR4776	804
AFU1841	848	AFU1900	929	AFU4241L	679	ALR1467	824	ALR2378	892	ALR4777	804
AFU1848L	45	AFU1900	933	AFU4241L	680	ALR1468	824	ALR2385	773	ALR4778	804
AFU1848L	99	AFU1900	934	AF608081	1013	ALR1522	769	ALR2386	873	ALR4929	801







## DEFENDER 110 1987 onwards

1080

## NUMERICAL INDEX

PART NO	PAGE	PART NO	PAGE	PART NO	PAGE	PART NO	PAGE	PART NO	PAGE	PART NO	PAGE
ALR4936	791	ALR5987	836	ALR7128	843	AMR2348	686	AMR2978	737	AMR3098	750
ALR4937	791	ALR5989	777	ALR7129	843	AMR2350	708	AMR2978	738	AMR3101	709
ALR4938	795	ALR5990	777	AL614011	757	AMR2351	696	AMR2979	733	AMR3104	683
ALR4939	795	ALR6121	778	AMR1054	739	AMR2357	670	AMR2979	734	AMR3124	710
ALR5054	856	ALR6122	778	AMR1421	672	AMR2358	720	AMR2980	705	AMR3135	708
ALR5055	860	ALR6219	803	AMR1421	675	AMR2358	721	AMR2981	701	AMR3138	689
ALR5057	826	ALR6224	808	AMR1422	675	AMR2393	720	AMR2982	700	AMR3142	680
ALR5058	787	ALR6225	776	AMR1425	232	AMR2411	721	AMR2982	703	AMR3155	680
ALR5080	825	ALR6250	791	AMR1487	686	AMR2416	720	AMR2983	691	AMR3158	680
ALR5080	858	ALR6251	795	AMR1488	686	AMR2416	721	AMR3012	730	AMR3247	671
ALR5081	858	ALR6256	788	AMR1491	692	AMR2425	184	AMR3012	731	AMR3294	728
ALR5110	760	ALR6257	788	AMR1492	692	AMR2425	225	AMR3012	732	AMR3321	232
ALR5113	762	ALR6258	792	AMR1493	693	AMR2449	712	AMR3012	733	AMR3322	680
ALR5117	750	ALR6259	792	AMR1494	693	AMR2474	730	AMR3012	734	AMR3324	708
ALR5118	750	ALR6280	791	AMR1495	521	AMR2474	732	AMR3012	736	AMR3325	708
ALR5294	765	ALR6365	758	AMR1496	521	AMR2475	709	AMR3012	737	AMR3412	243
ALR5295	765	ALR6366	758	AMR1518	692	AMR2532	708	AMR3012	738	AMR3414	728
ALR5308	795	ALR6374	750	AMR1637	691	AMR2625	709	AMR3025	730	AMR3417	728
ALR5309	795	ALR6375	750	AMR1647	709	AMR2628	725	AMR3025	731	AMR3418	728
ALR5312	795	ALR6678	778	AMR2070	724	AMR2631	724	AMR3025	732	AMR3443	726
ALR5313	795	ALR6708	844	AMR2090	671	AMR2956	705	AMR3025	733	AMR3444	709
ALR5329	851	ALR6840	777	AMR2092	264	AMR2959	701	AMR3025	734	AMR3448	692
ALR5330	851	ALR6842	777	AMR2217	243	AMR2962	700	AMR3025	736	AMR3449	692
ALR5506	848	ALR6843	777	AMR2341	717	AMR2962	703	AMR3025	738	AMR3450	692
ALR5507	848	ALR6851	796	AMR2342	670	AMR2972	695	AMR3026	732	AMR3480	687
ALR5821	803	ALR6852	796	AMR2343	670	AMR2973	695	AMR3026	733	AMR3481	687
ALR5821	806	ALR7005	754	AMR2344	670	AMR2976	697	AMR3026	734	AMR3482	687
ALR5980	788	ALR7105	828	AMR2345	670	AMR2977	697	AMR3026	737	AMR3483	687
ALR5981	792	ALR7106	828	AMR2346	670	AMR2978	731	AMR3039	740	AMR3484	687
ALR5982	792	ALR7107	829	AMR2347	686	AMR2978	736	AMR3098	689	AMR3727	680





## DEFENDER 110 1987 onwards

1081

## NUMERICAL INDEX

PART NO	PAGE	PART NO	PAGE	PART NO	PAGE	PART NO	PAGE	PART NO	PAGE	PART NO	PAGE
AMR3756	730	ANR1969	470	ANR2945	479	AR606031L	845	AWR1173	645	BAU1825	111
AMR3771	689	ANR1998	464	ANR2946	494	AR608021L	783	AWR1174	664	BAU1825	60
AMR3840	728	ANR2003	283	ANR2946	499	AR608031L	449	AWR1175	912	BAU2144	669
AMR3843	685	ANR2054	743	ANR2946	500	AR608031L	707	AWR1177	640	BAU2193	111
AMR3844	685	ANR2056	743	ANR2947	494	AR608031L	783	AWR1178	636	BAU2193	60
AMR3859	336	ANR2056	744	ANR2947	499	AR608041L	513	AWR1179	663	BAU2195	111
AMR3987	705	ANR2135	470	ANR2947	500	AR608041L	514	AWR1242	640	BAU2195	60
AMR3988	705	ANR2136	471	ANR2948	1069	AR608061	939	AWR1245	660	BAU4611L	101
AMR4019	705	ANR2157	240	ANR2994	452	AR610051L	851	AWR1247	659	BAU4611L	149
AMR4021	705	ANR2162	479	ANR2994	454	AR610051L	876	AWR1249	637	BAU4865	453
AMR4023	701	ANR2326	743	ANR2994	455	ASU1009	712	AWR1448	664	BAU4870	453
AMR4025	701	ANR2327	743	ANR2994	457	ASU1151	708	AWR1587	1024	BAU4871	453
AMR4027	700	ANR2485	470	ANR3036	444	AS604044	826	AWR1607	917	BDU1496	231
AMR4027	703	ANR2485	471	ANR3037	440	AS604044	858	AWR1666	660	BD155888	689
AMR4029	700	ANR2487	471	ANR3052	1042	ATU1005L	103	AWR2001	1016	BD155888	751
AMR4029	703	ANR2503	500	ANR3069	500	ATU1005L	750	AWR2001	1018	BFP1265L	808
AMR4042	705	ANR2512	483	ANR3231	446	ATU1017L	429	AWR2002	1016	BFP1265L	810
AMR4043	705	ANR2776	506	ANR3327	464	ATU1017L	430	AWR2332	653	BHA4790L	729
AM605061	778	ANR2777	506	ANR3400	477	ATU1017L	431	AWR2333	653	BHA5131L	710
ANR1338	482	ANR2778	506	ANR3410	435	ATU1041	648	AWR2334	653	BHM7058L	669
ANR1339	482	ANR2779	506	ANR3598	470	ATU1041	661	AWR2335	636	BHM7063L	303
ANR1415	501	ANR2780	499	ANR3615	499	AUD2437L	281	AW606084	781	BHM7063L	331
ANR1415	506	ANR2783	490	ANR3625	364	AUD3306L	275	AW606124	665	BHM7063L	347
ANR1419	474	ANR2784	490	ANR3692	511	AUD4398L	275	AW608081	727	BH106051L	136
ANR1534PM	433	ANR2847	711	ANR3693	511	AUD4771L	275	AW608081	728	BH106051L	252
ANR1799	439	ANR2848	711	ANR3770	500	AV608081L	993	AZ610081	722	BH106051L	33
ANR1808	131	ANR2858	462	ARA1501L	521	AWR1049LUH	936	BAU1689	358	BH106051L	373
ANR1808	177	ANR2859	462	ARA1501L	523	AWR1168	637	BAU1689	362	BH106051L	393
ANR1808	28	ANR2860	462	ARA1502L	523	AWR1169	665	BAU1689	381	BH106051L	84
ANR1808	79	ANR2868	218	AR606021	740	AWR1170	665	BAU1689	429	BH106051L	85





## DEFENDER 110 1987 onwards

1082

## NUMERICAL INDEX

PART NO	PAGE	PART NO	PAGE	PART NO	PAGE	PART NO	PAGE	PART NO	PAGE	PART NO	PAGE
BH106051L	86	BH108091L	588	BH108161L	136	BH108201L	325	BH110101L	56	BH112141L	1057
BH106061L	308	BH108091L	590	BH108161L	162	BH108201L	64	BH110121L	349	BH112141L	348
BH106061L	493	BH108091L	64	BH108161L	206	BH108201L	744	BH110121L	365	BH112201L	1055
BH106061L	502	BH108105L	29	BH108161L	32	BH108201L	80	BH110121L	385	BH112241L	1057
BH106061L	504	BH108105L	309	BH108161L	33	BH108251L	132	BH110121L	463	BH114161	435
BH106061L	505	BH108105L	44	BH108161L	64	BH108251L	80	BH110181L	1052	BH114167	435
BH106061L	506	BH108111L	132	BH108161L	83	BH110071L	363	BH110181L	1056	BH116101	1053
BH106071	966	BH108111L	373	BH108161L	84	BH110081L	1050	BH110181L	748	BH116121L	1051
BH106091L	493	BH108111L	381	BH108161L	85	BH110081L	1056	BH110201L	1050	BH116161L	1054
BH106091L	501	BH108111L	382	BH108161L	86	BH110081L	364	BH110201L	1053	BH116201	1052
BH106111L	493	BH108111L	80	BH108171L	135	BH110081L	382	BH110201L	109	BH116207	434
BH106111L	816	BH108131L	132	BH108171L	136	BH110081L	384	BH110201L	158	BH116261	1054
BH106141L	734	BH108131L	29	BH108171L	32	BH110091L	1062	BH110201L	203	BH504101L	258
BH106141L	736	BH108131L	582	BH108171L	33	BH110091L	116	BH110201L	56	BH504101L	259
BH106141L	737	BH108131L	80	BH108171L	83	BH110091L	118	BH110201L	745	BH504121L	283
BH106151L	146	BH108141L	45	BH108171L	84	BH110091L	163	BH110221L	286	BH504151L	258
BH106151L	43	BH108141L	589	BH108171L	85	BH110091L	165	BH110221L	334	BH504151L	259
BH106151L	98	BH108141L	853	BH108171L	86	BH110091L	207	BH110221L	441	BH504151L	287
BH108061L	477	BH108151L	135	BH108181L	106	BH110091L	209	BH110221L	749	BH504161L	258
BH108061M	417	BH108151L	136	BH108181L	109	BH110091L	349	BH110241L	286	BH504161L	259
BH108061M	419	BH108151L	29	BH108181L	155	BH110091L	363	BH110241L	747	BH505111L	276
BH108091L	115	BH108151L	32	BH108181L	158	BH110091L	364	BH110241L	749	BH505111L	293
BH108091L	162	BH108151L	33	BH108181L	200	BH110091L	382	BH110251	909	BH505121L	258
BH108091L	206	BH108151L	39	BH108181L	203	BH110091L	383	BH110301L	909	BH505121L	259
BH108091L	295	BH108151L	83	BH108181L	362	BH110091L	384	BH110351	444	BH505161L	259
BH108091L	448	BH108151L	84	BH108181L	381	BH110091L	520	BH110521	880	BH505201L	286
BH108091L	503	BH108151L	85	BH108181L	53	BH110101L	109	BH112091L	304	BH505241L	257
BH108091L	504	BH108151L	86	BH108181L	56	BH110101L	158	BH112101L	1055	BH505381L	258
BH108091L	515	BH108161L	115	BH108201L	132	BH110101L	203	BH112101L	406	BH505381L	259
BH108091L	583	BH108161L	135	BH108201L	29	BH110101L	349	BH112101L	408	BH505401L	258





## DEFENDER 110 1987 onwards

1083

## NUMERICAL INDEX

PART NO	PAGE	PART NO	PAGE	PART NO	PAGE	PART NO	PAGE	PART NO	PAGE	PART NO	PAGE
BH505401L	259	BH608461	435	BTR1047	882	BTR1599	666	BTR1884PMA	1017	BTR2980RWF	889
BH505401L	283	BH610281L	434	BTR1049	882	BTR1600	629	BTR1884PMA	1018	BTR2982LVA	883
BH505441L	287	BH610321L	438	BTR1050	882	BTR1600	666	BTR1884PMA	1019	BTR2983LVA	883
BH506111L	286	BH612321	439	BTR1051	882	BTR162RUV	888	BTR1884PMA	1020	BTR2984LVA	883
BH506111L	293	BLS108L	351	BTR1054RUK	887	BTR162RUW	888	BTR1884PMA	1023	BTR304	1023
BH506121L	272	BLS108L	352	BTR1055RUK	887	BTR163RUV	888	BTR1886LUH	931	BTR305LNP	922
BH506161L	272	BLS108L	353	BTR1056RUV	887	BTR163RUW	888	BTR1886LUH	933	BTR306LNP	922
BH506161L	334	BLS112L	321	BTR1056RUW	887	BTR164RUV	887	BTR2129NUC	1072	BTR341	924
BH506161L	480	BLS112L	332	BTR1057RUV	887	BTR164RUW	887	BTR213	649	BTR3415	939
BH506201L	293	BLS112L	343	BTR1057RUW	887	BTR165RUV	887	BTR214	649	BTR360	924
BH604081	1044	BMK1714	710	BTR1109	623	BTR165RUW	887	BTR2307	915	BTR361	940
BH604151L	462	BMK1903	478	BTR1116	623	BTR1679	952	BTR2308	915	BTR362	940
BH604151L	463	BMK2466	504	BTR1117	623	BTR1680	952	BTR2371	927	BTR363	940
BH604161L	991	BMK2466	505	BTR1130	633	BTR1681LDE	944	BTR2372	927	BTR364	941
BH605101L	1027	BMK2466	506	BTR1131	633	BTR1682LDE	944	BTR2407RWF	889	BTR365	941
BH605101L	204	BNP4556	803	BTR1132	634	BTR1683	945	BTR2408RWF	889	BTR3792LCS	739
BH605101L	287	BNP4556	806	BTR1133	634	BTR1698	344	BTR2409RWF	889	BTR3793LCS	920
BH605111L	294	BRC1393	807	BTR1134	630	BTR1698	755	BTR2410RWF	889	BTR4317	623
BH605121L	253	BRC1393	808	BTR1135	630	BTR1758RUY	976	BTR2411RWF	889	BTR4317	624
BH605131L	253	BRC1393	810	BTR1136	632	BTR1759LCS	976	BTR2412RWF	889	BTR4318	623
BH605131L	292	BRC1393	811	BTR1137	632	BTR1760RUY	976	BTR2413SUJ	889	BTR4318	624
BH605201L	292	BRC8089L	689	BTR1155	1024	BTR1761RUY	976	BTR2414RWF	889	BTR4346	1021
BH607161L	454	BRC8965PMA	808	BTR1194LDE	948	BTR1762LCS	976	BTR2415RWF	889	BTR4347	1021
BH607161L	456	BRC8965PMA	811	BTR1197PMA	942	BTR1763LCS	976	BTR2745RWF	889	BTR4348	1021
BH607161L	458	BTP1826	599	BTR1198	952	BTR1764RUY	975	BTR2746RWF	889	BTR4372	1016
BH607191	452	BTP1827	599	BTR1200LDE	943	BTR1765RUY	975	BTR277	1073	BTR4372	1017
BH607191L	454	BTP2275	599	BTR1347	666	BTR1766LCS	975	BTR2934LCS	1000	BTR4372	1019
BH607191L	456	BTP2282	599	BTR1348	666	BTR1767LCS	975	BTR2935RUY	1000	BTR4372	1023
BH607191L	458	BTP2284	599	BTR1349	629	BTR1790	876	BTR2936LCS	1007	BTR4373	1016
BH607381	452	BTR1045	882	BTR1599	629	BTR1884PMA	1016	BTR2937RUY	1007	BTR4373	1017





## DEFENDER 110 1987 onwards

1084

## NUMERICAL INDEX

PART NO	PAGE	PART NO	PAGE	PART NO	PAGE	PART NO	PAGE	PART NO	PAGE	PART NO	PAGE
BTR4373	1019	BTR6165	635	BTR8396	635	BTR9626	1025	BX110111L	428	CN100168L	531
BTR4373	1020	BTR6188	567	BTR8410	1017	BTR978	927	BX110111L	439	CN100168L	532
BTR4373	1023	BTR6189	939	BTR8411	1017	BTR979	927	BX112091	231	CN100168L	533
BTR4376	1019	BTR6193	926	BTR8505	241	BTR98RUK	888	BX112201	452	CN100168L	573
BTR4377	1020	BTR6194	926	BTR8593LDQ	728	BTR980	927	BX112201	454	CN100168L	574
BTR4433	627	BTR6561	1019	BTR8736	628	BTR981	927	BX112201	455	CN100168L	579
BTR4434	627	BTR6561	1020	BTR912	911	BTR982	633	BX112201	457	CN100208	622
BTR445	633	BTR6561	1023	BTR9176LUH	931	BTR983	634	BX116201L	434	CN100208L	189
BTR447	634	BTR6562	1019	BTR9178LUH	933	BTR984	653	CA600424	553	CN100208L	230
BTR4525LUH	931	BTR6562	1023	BTR9179LUH	934	BTR985	653	CA600424	556	CN100208L	41
BTR4525LUH	933	BTR6620PMA	803	BTR9180LUH	932	BTR986	653	CA600424	558	CN100208L	469
BTR514LVA	889	BTR6620PMA	806	BTR9181LUH	931	BTR987	653	CCN110L	410	CN100208L	470
BTR514MUB	887	BTR6700LCS	918	BTR9183LUH	936	BTR988	634	CCN110L	412	CN100208L	471
BTR516LVA	889	BTR6701LCS	918	BTR9270	344	BTR988	653	CDU51	336	CN100208L	607
BTR516MUB	887	BTR6702LCS	919	BTR9320	952	BTR9884	1025	CJ600041L	734	CN100208L	96
BTR5232	924	BTR6703LCS	919	BTR9321LDE	943	BT606101L	368	CJ600041L	736	CN100258	230
BTR5232	925	BTR695	917	BTR9385LUH	931	BT606101L	388	CJ600041L	737	CN100258	564
BTR5233	924	BTR7849PUC	780	BTR9400	649	BX110071L	1052	CJ600144L	271	CN100258L	146
BTR5234	925	BTR7850PUC	780	BTR9401	649	BX110071L	145	CJ600164L	559	CN100258L	152
BTR5235	925	BTR7895	952	BTR9402	649	BX110071L	190	CJ600224	144	CN100258L	189
BTR5235	926	BTR7896	952	BTR9419	107	BX110071L	383	CJ600304L	191	CN100258L	43
BTR5236	926	BTR7897	952	BTR9419	108	BX110071L	42	CJ600504	561	CN100258L	469
BTR549	891	BTR7898	952	BTR9419	284	BX110071L	428	CJ600504L	550	CN100258L	470
BTR5779	1023	BTR7959LCS	920	BTR9419	285	BX110071L	66	CJ600504L	559	CN100258L	471
BTR5781	1024	BTR7964LCS	920	BTR9419	54	BX110071L	97	CJ600504L	568	CN100258L	631
BTR5782	1024	BTR8114	945	BTR9419	55	BX110071M	417	CJ600564	561	CN100258L	634
BTR5818	1007	BTR8115	945	BTR9552	728	BX110071M	418	CLP3180	477	CN100258L	635
BTR586LUH	932	BTR8116	945	BTR9614	715	BX110091L	439	CN100148L	41	CN100258L	649
BTR6141	191	BTR8117	945	BTR9615	715	BX110095M	422	CN100168L	528	CN100258L	652
BTR6164	635	BTR8395	635	BTR9625	1025	BX110095M	428	CN100168L	530	CN100258L	653





## DEFENDER 110 1987 onwards

1085

## NUMERICAL INDEX

PART NO	PAGE	PART NO	PAGE	PART NO	PAGE	PART NO	PAGE	PART NO	PAGE	PART NO	PAGE
CN100258L	654	CN100508	608	CRC1487	493	CR120215	374	C43640	740	DRC1530	734
CN100258L	655	CN100608	601	CRC1487	495	CR120215L	394	C45099	570	DRC1530	736
CN100258L	96	CN100608L	607	CRC1487	496	CR120305	182	C45099	579	DRC1530	737
CN100258L	98	CN100708	564	CRC1487	497	CR120335L	321	C45099L	573	DRC1538	266
CN100308	600	CN100708	601	CRC1487	498	CR120335L	343	C45099L	709	DRC1538	514
CN100308	607	CN100908	564	CRC1487	499	CS600244L	489	C45759L	146	DRC2479	264
CN100308I	632	CN100908L	563	CRC1487	500	CS600244L	490	C457593	43	DRC2713L	731
CN100308L	279	CP105061	702	CRC1487	502	CS600244L	491	C457593L	271	DRC2713L	733
CN100308L	554	CP105081	574	CRC1487	504	CS600244L	492	C457593L	98	DRC2713L	734
CN100308L	605	CP105121L	491	CRC1487	505	CUD2399L	275	C46082	688	DRC2713L	736
CN100308L	607	CP106081	575	CRC1487	506	CUD2785L	275	DA608044L	739	DRC2713L	737
CN100308L	649	CP106121	620	CRC2015	446	CUD2788L	275	DA608044L	918	DRC8398	713
CN100308L	654	CP108081L	576	CRC2131	489	CZA4705L	722	DA608044L	919	DZA1435L	811
CN100308L	655	CP108081L	577	CRC2131	490	CZH0619	728	DA610051L	716	DZA5097L	913
CN100408	606	CP108081L	702	CRC2131	491	CZH619	672	DBP5840PMA	808	EAC32151	50
CN100408L	135	CP108251	226	CRC2131	492	CZH619	675	DBP5840PMA	811	EAM5549L	734
CN100408L	136	CP110161	152	CRC2133	491	CZK3164	728	DBP5841PMA	808	EAM5549L	736
CN100408L	180	CRC1226	270	CRC2134	491	CZK3438L	815	DBP5841PMA	811	EAM5549L	737
CN100408L	32	CRC1250	494	CRC2135	489	CZK619	625	DBP6287PMA	803	EDP7510L	477
CN100408L	33	CRC1250	502	CRC2135	490	C22257L	707	DBP6287PMA	806	EJP7738	342
CN100408L	83	CRC1250L	495	CRC2135	491	C34950L	734	DBP6532PMA	918	ERC1161L	281
CN100408L	84	CRC1250L	496	CRC2144	491	C34950L	736	DBP6532PMA	919	ERC1351	264
CN100408L	85	CRC1250L	497	CR120081L	484	C34950L	737	DBP6533PMA	918	ERC1353	288
CN100408L	86	CRC1250L	498	CR120105L	321	C37222L	111	DBP6533PMA	919	ERC1561	145
CN100508	556	CRC1250L	501	CR120105L	343	C37222L	60	DCP3212L	477	ERC1561	190
CN100508	558	CRC1250L	504	CR120115L	48	C38637L	712	DCP7384L	237	ERC1561	42
CN100508	600	CRC1250L	505	CR120171L	56	C39377L	689	DRC1245	716	ERC1561	97
CN100508	605	CRC1250L	506	CR120205	968	C39377L	693	DRC1245	717	ERC1637	267
CN100508	606	CRC1250L	808	CR120205	970	C393771L	694	DRC1245	740	ERC2042L	277
CN100508	607	CRC1250L	811	CR120205	976	C43640	719	DRC1530	698	ERC210	265





## DEFENDER 110 1987 onwards

1086

## NUMERICAL INDEX

PART NO	PAGE	PART NO	PAGE	PART NO	PAGE	PART NO	PAGE	PART NO	PAGE	PART NO	PAGE
ERC211	265	ERC3500	615	ERC3955	572	ERC4658	66	ERC5128	25	ERC5578	32
ERC2135	270	ERC3561	270	ERC3956	278	ERC4670	280	ERC5139	115	ERC5578	83
ERC2139	271	ERC3562	271	ERC3956	279	ERC4820	270	ERC5139	64	ERC5594	268
ERC2143	271	ERC3563	271	ERC3956	554	ERC4877	253	ERC5151	56	ERC5600	135
ERC2144	268	ERC3690	274	ERC3956	558	ERC4878	253	ERC5152	109	ERC5600	136
ERC215	265	ERC3724	615	ERC3964	649	ERC4879	253	ERC5152	158	ERC5600	180
ERC2226L	617	ERC3729	270	ERC3964	652	ERC4880	253	ERC5152	203	ERC5600	32
ERC224	265	ERC3884	556	ERC3964	654	ERC4949	267	ERC5152	56	ERC5600	33
ERC225	265	ERC3884	558	ERC3964	655	ERC4995	124	ERC5155	109	ERC5600	83
ERC2254	141	ERC3889	558	ERC4074	556	ERC4995	126	ERC5155	158	ERC5600	84
ERC2254	38	ERC3890	555	ERC416	253	ERC4995	22	ERC5155	203	ERC5600	85
ERC2254	92	ERC3890	557	ERC417	253	ERC4995	23	ERC5155	56	ERC5600	86
ERC2297	270	ERC3891	556	ERC4176	571	ERC4995	72	ERC5247	278	ERC5654	135
ERC2319	271	ERC3891	558	ERC4176	572	ERC4995	74	ERC5247	279	ERC5654	136
ERC2320	271	ERC3892	551	ERC4193	277	ERC4996	124	ERC5247	553	ERC5654	32
ERC256	270	ERC3893	551	ERC4293	556	ERC4996	126	ERC5247	554	ERC5654	33
ERC2734	583	ERC3894	554	ERC4293	558	ERC4996	171	ERC5293	66	ERC5654	83
ERC2838	269	ERC3896	551	ERC4294	556	ERC4996	213	ERC5349	25	ERC5654	84
ERC2839	269	ERC3897	551	ERC4294	558	ERC4996	22	ERC5361	29	ERC5654	85
ERC2869	24	ERC3899	553	ERC4480	102	ERC4996	23	ERC5386	56	ERC5654	86
ERC2920	266	ERC3899	554	ERC4591	555	ERC4996	72	ERC5387	56	ERC5655	135
ERC2973	252	ERC3899	556	ERC4591	557	ERC4996	74	ERC5400	553	ERC5655	136
ERC298	51	ERC3915	278	ERC4644	124	ERC5052	553	ERC5400	556	ERC5655	180
ERC2989	268	ERC3915	279	ERC4644	171	ERC5052	555	ERC5400	558	ERC5655	32
ERC3102	273	ERC3915	554	ERC4644	22	ERC5052	557	ERC5401	553	ERC5655	33
ERC3256	58	ERC3930	280	ERC4644	72	ERC5068	273	ERC5453	553	ERC5655	83
ERC3346L	265	ERC3931	280	ERC4658	119	ERC5086	125	ERC5512	268	ERC5655	84
ERC3458	274	ERC3946	551	ERC4658	166	ERC5086	28	ERC5545	32	ERC5655	85
ERC3489	271	ERC3954	552	ERC4658	209	ERC5086	73	ERC5545	83	ERC5655	86
ERC3493	270	ERC3955	552	ERC4658	25	ERC5127	25	ERC5545	85	ERC5705	259





## DEFENDER 110 1987 onwards

1087

## NUMERICAL INDEX

PART NO	PAGE	PART NO	PAGE	PART NO	PAGE	PART NO	PAGE	PART NO	PAGE	PART NO	PAGE
ERC5707	261	ERC5923	615	ERC6480	285	ERC6869	29	ERC7312	86	ERC8450	141
ERC5708	261	ERC5923	90	ERC6480	54	ERC6878	278	ERC7321	273	ERC8450	92
ERC5708	33	ERC6047	99	ERC6480	55	ERC6878	279	ERC7489	135	ERC8460	44
ERC5708	84	ERC6071	56	ERC6538	294	ERC6878	554	ERC7489	32	ERC8501	617
ERC5708	86	ERC6072	55	ERC6540	261	ERC6890	615	ERC7489	83	ERC8505	551
ERC5709	135	ERC614	268	ERC6545	286	ERC6934	251	ERC7510	146	ERC8626	281
ERC5709	136	ERC6200	41	ERC6547	294	ERC6939	99	ERC7510	43	ERC8639	271
ERC5709	180	ERC6266	115	ERC6551	119	ERC6974	106	ERC7510	98	ERC8645	44
ERC5709	261	ERC6266	162	ERC6551	166	ERC6974	155	ERC7530	137	ERC8663	140
ERC5709	33	ERC6266	206	ERC6551	209	ERC6974	53	ERC7530	34	ERC8663	91
ERC5709	84	ERC6266	64	ERC6551	66	ERC6996	49	ERC7530	87	ERC8712	45
ERC5709	86	ERC6337	142	ERC6552	269	ERC7082	109	ERC7548	294	ERC8722	45
ERC5749	269	ERC6337	39	ERC6720	615	ERC7082	158	ERC7834	33	ERC8722	65
ERC5761	251	ERC6337	93	ERC6722	615	ERC7082	203	ERC7834	86	ERC8758	146
ERC5786	274	ERC6341	142	ERC6723	615	ERC7082	56	ERC7865	265	ERC8758	43
ERC5830	292	ERC6341	39	ERC675	262	ERC7089	25	ERC7879	557	ERC8758	98
ERC5830	294	ERC6341	93	ERC675	263	ERC7144	555	ERC7881	557	ERC8847	145
ERC5830	296	ERC6380	37	ERC6761	101	ERC7144	557	ERC7882	557	ERC8847	190
ERC5875	274	ERC6399	555	ERC6761E	101	ERC7295	118	ERC7922	51	ERC8847	97
ERC5913	139	ERC6408	66	ERC6821	141	ERC7295	132	ERC7929	269	ERC8849	145
ERC5913	183	ERC6479	132	ERC6821	38	ERC7295	165	ERC7940	137	ERC8849	190
ERC5913	224	ERC6479	30	ERC6821	92	ERC7295	209	ERC7940	34	ERC8849	97
ERC5913	35	ERC6479	80	ERC6859	128	ERC7295	245	ERC7940	87	ERC8861	134
ERC5913	36	ERC6480	107	ERC6859	174	ERC7295	66	ERC7974	115	ERC8861	82
ERC5913	89	ERC6480	108	ERC6859	76	ERC7295	80	ERC7974	162	ERC8864	125
ERC5913	90	ERC6480	156	ERC6860	128	ERC7312	136	ERC7974	206	ERC8864	172
ERC5923	139	ERC6480	157	ERC6860	76	ERC7312	33	ERC8049	144	ERC8864	73
ERC5923	183	ERC6480	201	ERC6861	128	ERC7312	83	ERC8119	49	ERC8890	33
ERC5923	224	ERC6480	202	ERC6861	174	ERC7312	84	ERC8124	44	ERC8964	115
ERC5923	36	ERC6480	284	ERC6861	76	ERC7312	85	ERC8164	261	ERC8964	162







## DEFENDER 110 1987 onwards

1088

## NUMERICAL INDEX

PART NO	PAGE	PART NO	PAGE	PART NO	PAGE	PART NO	PAGE	PART NO	PAGE	PART NO	PAGE
ERC8964	206	ERC9103	39	ERC9404	66	ERC9708	48	ERR1125	238	ERR1274	178
ERC8964	29	ERC9106	39	ERC9404	703	ERC9728	95	ERR1125	548	ERR1291	176
ERC8973	38	ERC9107	39	ERC9404	704	ERC9765	128	ERR1156	187	ERR1299	183
ERC8980	130	ERC9137	142	ERC9410	125	ERC9765	76	ERR1156	228	ERR1304	195
ERC8980	176	ERC9137	93	ERC9410	172	ERC9884	35	ERR1157	187	ERR1330	209
ERC8980	27	ERC9138	39	ERC9410	214	ERC9884	89	ERR1178	181	ERR1333	194
ERC8980	78	ERC9188	23	ERC9410	28	ERR1019	185	ERR1181	128	ERR1347	139
ERC8986	113	ERC9188	74	ERC9410	73	ERR1019	226	ERR1181	174	ERR1347	36
ERC8986	62	ERC9188	77	ERC9432	141	ERR1040	219	ERR1181	25	ERR1347	90
ERC8987	113	ERC9199	133	ERC9432	92	ERR1041	219	ERR1181	76	ERR1351	230
ERC8987	62	ERC9199	81	ERC9448	141	ERR1063	137	ERR1197	186	ERR1390	175
ERC9031	41	ERC9220	144	ERC9448	37	ERR1063	181	ERR1200	195	ERR1391	175
ERC9032	41	ERC9220	41	ERC9448	92	ERR1063	34	ERR1200	237	ERR1424	180
ERC9033	41	ERC9220	95	ERC9468	29	ERR1063	87	ERR1201	186	ERR1435	192
ERC9037	555	ERC9240	118	ERC9480	127	ERR1084	219	ERR1202	186	ERR1436	633
ERC9054	142	ERC9240	165	ERC9480	173	ERR1085	219	ERR1203	186	ERR1436	653
ERC9054	39	ERC9240	209	ERC9480	24	ERR1086	219	ERR1203	227	ERR1440	209
ERC9054	93	ERC9278	39	ERC9480	703	ERR1088	137	ERR1208	192	ERR1454	41
ERC9055	142	ERC9294	49	ERC9480	704	ERR1088	181	ERR1209	186	ERR1454	95
ERC9055	93	ERC9398	279	ERC9480	75	ERR1088	34	ERR1209	227	ERR1458	197
ERC9056	142	ERC9404	118	ERC9501	140	ERR1088	87	ERR1210	186	ERR1471	189
ERC9056	93	ERC9404	125	ERC9501	91	ERR1092	221	ERR1223	140	ERR1471	230
ERC9059	142	ERC9404	132	ERC9631	140	ERR1094	214	ERR1253	178	ERR1471	96
ERC9059	93	ERC9404	165	ERC9631	91	ERR1107	186	ERR1256	178	ERR1475	127
ERC9060	142	ERC9404	209	ERC9693	48	ERR1117	137	ERR1259	150	ERR1475	173
ERC9060	93	ERC9404	226	ERC9704	48	ERR1117	34	ERR1260	151	ERR1475	75
ERC9069	44	ERC9404	236	ERC9706	137	ERR1117	87	ERR1264	200	ERR1499	191
ERC9073	127	ERC9404	239	ERC9706	181	ERR1125	151	ERR1266	102	ERR1509	195
ERC9073	75	ERC9404	245	ERC9706	34	ERR1125	194	ERR1266	150	ERR1510	140
ERC9102	39	ERC9404	30	ERC9706	87	ERR1125	196	ERR1273	178	ERR1510	37





## DEFENDER 110 1987 onwards

1089

## NUMERICAL INDEX

PART NO	PAGE	PART NO	PAGE	PART NO	PAGE	PART NO	PAGE	PART NO	PAGE	PART NO	PAGE
ERR1510	91	ERR1729	96	ERR2216	236	ERR2535	273	ERR3306	237	ERR3459	183
ERR1521	181	ERR1780	265	ERR2220	215	ERR2551	265	ERR3314	234	ERR3468	237
ERR1530	188	ERR1782	265	ERR2228	240	ERR2605	106	ERR3319	234	ERR3479	232
ERR1535	209	ERR1790	176	ERR2241	224	ERR2605	155	ERR333	197	ERR3481	233
ERR1535	25	ERR1885	296	ERR2264	299	ERR2605	200	ERR3339	237	ERR3490	232
ERR1535	66	ERR1919	213	ERR2266	223	ERR2605	53	ERR334	197	ERR3494	152
ERR1535	76	ERR1921	267	ERR2317	224	ERR2623	183	ERR3340	139	ERR3494	197
ERR1536	185	ERR1922L	252	ERR2337	234	ERR2640	251	ERR3340	183	ERR3495	152
ERR1553	178	ERR1939	225	ERR2337	565	ERR2732	227	ERR3340	224	ERR3495	197
ERR1560	220	ERR1972	221	ERR2344	220	ERR2767	213	ERR3340	264	ERR3539	239
ERR1561	220	ERR1973	221	ERR2375	178	ERR2789	223	ERR3340	35	ERR3545	231
ERR1564	215	ERR1976	106	ERR2378	222	ERR2798	242	ERR3340	36	ERR3545	236
ERR1574	296	ERR1976	155	ERR2393	188	ERR2803	191	ERR3340	89	ERR3547	231
ERR1605	189	ERR1976	200	ERR2396	225	ERR2850	565	ERR3340	90	ERR3579	234
ERR1605	96	ERR1976	53	ERR2405	227	ERR2851	565	ERR3342	227	ERR3580	234
ERR1607	132	ERR1990	264	ERR2409	229	ERR2860	140	ERR3343	227	ERR3581	234
ERR1607	178	ERR2023	236	ERR2410	216	ERR2861	140	ERR335	152	ERR3583	234
ERR1607	29	ERR2026	230	ERR2418	216	ERR2943	266	ERR335	197	ERR359	194
ERR1607	80	ERR2027	239	ERR2419	216	ERR2944	266	ERR335	238	ERR3604	133
ERR1621	188	ERR2028	100	ERR2428	258	ERR3	171	ERR3356	219	ERR3604	178
ERR1630	128	ERR2028	148	ERR2428	259	ERR3081	140	ERR3368	188	ERR3604	81
ERR1630	174	ERR2028	193	ERR2429	271	ERR3082	140	ERR3380	135	ERR3605	127
ERR1630	215	ERR2028	235	ERR244	534	ERR3084	230	ERR3380	136	ERR3605	173
ERR1630	76	ERR2073	263	ERR25	178	ERR309	182	ERR3380	180	ERR3605	24
ERR1632	257	ERR2073	291	ERR2530	179	ERR3283	224	ERR3380	84	ERR3605	75
ERR1642	174	ERR2100	215	ERR2532	119	ERR3284	222	ERR3417	217	ERR3606	138
ERR1653	214	ERR2109	238	ERR2532	128	ERR3286	220	ERR3419	213	ERR3606	182
ERR1653	217	ERR2112	215	ERR2532	166	ERR3287	223	ERR3424	229	ERR3606	34
ERR1662	194	ERR2215	241	ERR2532	66	ERR3291	232	ERR3457	227	ERR3606	88
ERR1729	189	ERR2216	231	ERR2533	273	ERR3299	217	ERR3458	183	ERR3607	139





## DEFENDER 110 1987 onwards

1090

## NUMERICAL INDEX

PART NO	PAGE	PART NO	PAGE	PART NO	PAGE	PART NO	PAGE	PART NO	PAGE	PART NO	PAGE
ERR3614	133	ERR3738	232	ERR4419	236	ERR4682	186	ERR4860	219	ERR5034	74
ERR3614	81	ERR3753	225	ERR4519L	292	ERR4685	232	ERR4861	213	ERR5041	188
ERR3615	133	ERR3754	231	ERR4524	286	ERR4686	232	ERR4862	234	ERR5041	229
ERR3615	81	ERR3756	231	ERR4531	635	ERR4687	227	ERR4883	227	ERR5055	234
ERR3616	133	ERR3777	228	ERR4537	225	ERR4688	565	ERR4894	238	ERR5057	235
ERR3616	81	ERR3779	227	ERR4538	225	ERR4691	229	ERR4895	238	ERR506	173
ERR3617	101	ERR3780	237	ERR4539	225	ERR4696	217	ERR4923	272	ERR506	189
ERR3617	149	ERR3785	233	ERR4543	242	ERR4697	217	ERR4926	230	ERR506	96
ERR3618	141	ERR3788	255	ERR4556	252	ERR4698	238	ERR4926	564	ERR5087	215
ERR3618	92	ERR3791	234	ERR4574	119	ERR4699	233	ERR4933	41	ERR5098	232
ERR362	99	ERR3807	242	ERR4574	166	ERR4706	230	ERR4934	35	ERR5099	222
ERR3622	222	ERR3809	217	ERR4574	209	ERR4707	215	ERR4934	36	ERR5259	222
ERR3622	232	ERR3920	118	ERR4574	245	ERR4708	222	ERR4934	89	ERR5261	184
ERR3633	217	ERR3924	209	ERR4574	66	ERR4709	231	ERR4934	90	ERR5262	184
ERR3648	265	ERR394	178	ERR4575	219	ERR4710	215	ERR4935	270	ERR5263	184
ERR3650	265	ERR3987	215	ERR4576	220	ERR4716	130	ERR4936	257	ERR528	182
ERR3652	195	ERR4047	234	ERR4578	220	ERR4716	27	ERR500	182	ERR530	182
ERR3677	255	ERR4120	220	ERR4621	195	ERR4716	78	ERR5009	117	ERR531	126
ERR3682	146	ERR4175	143	ERR4621	237	ERR4723	245	ERR5009	164	ERR531	182
ERR3682	191	ERR4175	187	ERR4628	267	ERR4725	236	ERR5009	208	ERR531	23
ERR3682	43	ERR4175	228	ERR4632	229	ERR4735	265	ERR5009	244	ERR531	74
ERR3682	98	ERR4175	40	ERR4633	255	ERR477	23	ERR5027	225	ERR532	182
ERR3683	217	ERR4175	94	ERR4638	241	ERR478	74	ERR5033	718	ERR535	105
ERR371	633	ERR4179	213	ERR4639	241	ERR479	126	ERR5034	124	ERR535	154
ERR371	653	ERR4285	288	ERR4640	143	ERR4802	238	ERR5034	126	ERR535	199
ERR3733	240	ERR4384	51	ERR4640	187	ERR4824	220	ERR5034	171	ERR539	51
ERR3734	222	ERR4385	44	ERR4640	228	ERR4834	229	ERR5034	213	ERR541	181
ERR3735	223	ERR4386	44	ERR4640	40	ERR4848	227	ERR5034	22	ERR551	192
ERR3736	222	ERR4387	44	ERR4640	94	ERR4852	238	ERR5034	23	ERR551	196
ERR3737	232	ERR4404	222	ERR4664	219	ERR4859	243	ERR5034	72	ERR559	186





## DEFENDER 110 1987 onwards

1091

## NUMERICAL INDEX

PART NO	PAGE	PART NO	PAGE	PART NO	PAGE	PART NO	PAGE	PART NO	PAGE	PART NO	PAGE
ERR560	186	ERR703	175	ERR878	189	ESR1287	527	ESR203	596	ESR2385	593
ERR560	227	ERR703	216	ERR878	96	ESR1287	573	ESR204	596	ESR2386	593
ERR561	143	ERR705	128	ERR879	189	ESR1287	579	ESR2055	601	ESR2422	233
ERR561	187	ERR705	174	ERR879	96	ESR1373	543	ESR208	591	ESR245	540
ERR561	228	ERR705	25	ERR886	194	ESR1373	565	ESR2087	592	ESR246	536
ERR561	40	ERR705	76	ERR886	233	ESR1554	612	ESR2087	593	ESR247	537
ERR561	94	ERR719	209	ERR886	236	ESR158	591	ESR2102	564	ESR255	593
ERR586	126	ERR719	245	ERR894	194	ESR159	587	ESR2119	601	ESR2623	564
ERR586	23	ERR736	144	ERR894	233	ESR1594	602	ESR2120	601	ESR2629	602
ERR586	74	ERR736	41	ERR894	236	ESR1617	581	ESR2125	605	ESR266	587
ERR593	129	ERR736	95	ERR896	152	ESR1650	526	ESR219	587	ESR266	591
ERR593	77	ERR737	144	ERR896	197	ESR1676	597	ESR219	591	ESR2662	600
ERR595	26	ERR737	95	ERR900	179	ESR1677	596	ESR2215	592	ESR2727	599
ERR597	192	ERR751	174	ERR900	221	ESR1678	596	ESR2215	593	ESR2728	601
ERR605	128	ERR765	185	ERR913	171	ESR1686	607	ESR228	563	ESR2729	601
ERR605	174	ERR806	207	ERR913	213	ESR169	589	ESR2297	591	ESR2730	601
ERR605	25	ERR807	207	ERR928	182	ESR1696	592	ESR2298	600	ESR2731	564
ERR605	76	ERR808	207	ERR978	185	ESR1800	599	ESR2308	599	ESR2733	619
ERR607	143	ERR848	182	ESR0063	622	ESR184	563	ESR2309	601	ESR2734	619
ERR607	187	ERR850	138	ESR1004	561	ESR1906	607	ESR2313	622	ESR2739	591
ERR607	228	ERR850	182	ESR1004	563	ESR1912	614	ESR2315	567	ESR276	563
ERR607	40	ERR850	34	ESR1127	569	ESR1913	614	ESR2343	622	ESR280	614
ERR607	94	ERR850	88	ESR1128	569	ESR1914	617	ESR2344	622	ESR281	614
ERR631	194	ERR852	615	ESR1225	569	ESR1915	617	ESR2345	622	ESR282	598
ERR635	178	ERR852	617	ESR1262	614	ESR1916	618	ESR2346	622	ESR282	599
ERR663	188	ERR874	189	ESR1262	617	ESR1917	618	ESR2348	622	ESR283	598
ERR666	190	ERR874	230	ESR1265	569	ESR1918	618	ESR2349	622	ESR283	599
ERR667	194	ERR874	96	ESR1269	569	ESR1919	618	ESR2383	592	ESR289	607
ERR678	192	ERR877	189	ESR1278	576	ESR1920	618	ESR2384	592	ESR298	607
ERR696	191	ERR877	96	ESR1278	577	ESR1931	602	ESR2384	593	ESR299	607





## DEFENDER 110 1987 onwards

1092

## NUMERICAL INDEX

PART NO	PAGE	PART NO	PAGE	PART NO	PAGE	PART NO	PAGE	PART NO	PAGE	PART NO	PAGE
ESR301	475	ESR3301	654	ESR527	618	ETC4022	36	ETC4077	76	ETC4308	102
ESR301	539	ESR3301	655	ESR530	618	ETC4022	90	ETC4105	128	ETC4308	150
ESR301	542	ESR3308	234	ESR531	618	ETC4033	139	ETC4105	76	ETC4330	253
ESR3028	564	ESR335	603	ESR536	607	ETC4033	89	ETC4133	65	ETC4354	253
ESR3032	564	ESR3495	591	ESR54	592	ETC4033	90	ETC4140	42	ETC4357	115
ESR3118	543	ESR352	537	ESR570	618	ETC4034	139	ETC4154	132	ETC4357	162
ESR3121	600	ESR352	541	ESR571	618	ETC4034	89	ETC4154	178	ETC4357	206
ESR3124	543	ESR354	535	ESR583	617	ETC4034	90	ETC4154	80	ETC4357	64
ESR3126	543	ESR354	548	ESR584	621	ETC4058	133	ETC4156	102	ETC4369	253
ESR3127	543	ESR359	592	ESR63	621	ETC4058	81	ETC4156	150	ETC4371	108
ESR3128	543	ESR359	593	ESR68	598	ETC4063	133	ETC4197	109	ETC4371	157
ESR3130	543	ESR360	592	ESR69	598	ETC4063	81	ETC4197	158	ETC4371	202
ESR3131	543	ESR360	593	ESR71	614	ETC4067	40	ETC4197	203	ETC4371	55
ESR3133	543	ESR361	591	ESR76	596	ETC4068	143	ETC4212	110	ETC4390	128
ESR3134	543	ESR370	563	ESR77	596	ETC4068	187	ETC4212	159	ETC4390	174
ESR3135	543	ESR394	535	ESR78	596	ETC4068	228	ETC4212	57	ETC4390	76
ESR3152	592	ESR395	535	ESR79	596	ETC4068	40	ETC4246	143	ETC4417	101
ESR3162	564	ESR398	617	ESR95	592	ETC4068	94	ETC4246	187	ETC4417	149
ESR3173	567	ESR399	617	ESR95	593	ETC4069	143	ETC4246	228	ETC4421	132
ESR3175	567	ESR400	607	ETC4006	486	ETC4069	187	ETC4246	40	ETC4421	80
ESR3206	548	ESR414	592	ETC4014	145	ETC4069	228	ETC4246	94	ETC4422	132
ESR3260	591	ESR414	593	ETC4014	97	ETC4069	40	ETC4276	264	ETC4422	80
ESR3277	523	ESR415	197	ETC4021	139	ETC4069	94	ETC4291	102	ETC4457	136
ESR3293	592	ESR415	563	ETC4021	183	ETC4070	101	ETC4291	150	ETC4457	84
ESR3293	593	ESR419	579	ETC4021	35	ETC4070	149	ETC4292	102	ETC4460	142
ESR3294	592	ESR421	579	ETC4021	36	ETC4076	145	ETC4292	150	ETC4460	39
ESR3294	593	ESR422	578	ETC4021	89	ETC4076	190	ETC4293	102	ETC4460	93
ESR3301	649	ESR439	593	ETC4021	90	ETC4076	97	ETC4293	150	ETC4466	58
ESR3301	652	ESR488	612	ETC4022	139	ETC4077	128	ETC4294	102	ETC4498	141
ESR3301	653	ESR489	612	ETC4022	183	ETC4077	174	ETC4294	150	ETC4498	38





## DEFENDER 110 1987 onwards

1093

## NUMERICAL INDEX

PART NO	PAGE	PART NO	PAGE	PART NO	PAGE	PART NO	PAGE	PART NO	PAGE	PART NO	PAGE
ETC4498	92	ETC4751	91	ETC5040	45	ETC5577	226	ETC5780	165	ETC5990	279
ETC4529	124	ETC4752	101	ETC5064	132	ETC5577	23	ETC5783	106	ETC5994	26
ETC4529	126	ETC4752	149	ETC5064	178	ETC5577	233	ETC5783	155	ETC6081	29
ETC4529	171	ETC4761	146	ETC5064	80	ETC5577	74	ETC5783	200	ETC6137	138
ETC4529	23	ETC4761	43	ETC5065	132	ETC5588	144	ETC5783	53	ETC6137	34
ETC4529	72	ETC4761	98	ETC5065	178	ETC5588	95	ETC5815	106	ETC6137	88
ETC4529	74	ETC4785	135	ETC5065	80	ETC5592	125	ETC5815	155	ETC6138	138
ETC4616	105	ETC4785	180	ETC5147	555	ETC5592	126	ETC5815	200	ETC6138	34
ETC4616	154	ETC4785	86	ETC5147	557	ETC5592	172	ETC5815	53	ETC6138	88
ETC4616	199	ETC4799	24	ETC5172	42	ETC5592	214	ETC5816	141	ETC6139	138
ETC4630	133	ETC4873	133	ETC5182	484	ETC5592	73	ETC5835	58	ETC6139	34
ETC4630	178	ETC4873	81	ETC5183	484	ETC5592	74	ETC5847	554	ETC6139	88
ETC4630	81	ETC4880	137	ETC5187	29	ETC5665	283	ETC5866	40	ETC6142	138
ETC4639	555	ETC4880	181	ETC5190	31	ETC5672	132	ETC5898	151	ETC6142	34
ETC4643	140	ETC4880	34	ETC5191	31	ETC5672	80	ETC5898	196	ETC6142	88
ETC4643	91	ETC4880	87	ETC5276	183	ETC5675	132	ETC5900N	19	ETC6155	50
ETC4649	140	ETC4882	109	ETC5312	99	ETC5675	80	ETC5918	279	ETC6156	50
ETC4649	91	ETC4882	158	ETC5329	273	ETC5700	121	ETC5955	41	ETC6243	50
ETC4650	85	ETC4882	203	ETC5330	44	ETC5710	151	ETC5958	146	ETC6249	279
ETC4670	145	ETC4922	171	ETC5331	99	ETC5710	196	ETC5958	191	ETC6278	37
ETC4670	190	ETC4922	213	ETC5337	581	ETC5717	101	ETC5958	43	ETC6350	46
ETC4670	97	ETC4922	22	ETC5340	531	ETC5717	149	ETC5958	98	ETC6394	66
ETC4678	484	ETC4959	51	ETC5340	533	ETC5739	143	ETC5965	146	ETC6408	283
ETC4686	484	ETC4989	604	ETC5347	35	ETC5739	94	ETC5965	43	ETC6438	144
ETC4697	73	ETC4993	604	ETC5347	89	ETC5740	143	ETC5965	98	ETC6438	95
ETC4706	138	ETC4994	29	ETC5397	570	ETC5740	94	ETC5967	146	ETC6471	265
ETC4706	88	ETC4995	29	ETC5397	571	ETC5752	152	ETC5967	191	ETC6474	266
ETC4728L	281	ETC4996	132	ETC5398	572	ETC5755	125	ETC5967	43	ETC6484	288
ETC4751	140	ETC4996	80	ETC5412	37	ETC5755	152	ETC5967	98	ETC6486	283
ETC4751	37	ETC5027	50	ETC5576	296	ETC5780	118	ETC5989	279	ETC6492	147





## DEFENDER 110 1987 onwards

1094

## NUMERICAL INDEX

PART NO	PAGE	PART NO	PAGE	PART NO	PAGE	PART NO	PAGE	PART NO	PAGE	PART NO	PAGE
ETC6510	141	ETC6841	136	ETC7123	275	ETC7201	279	ETC7398	614	ETC7929	75
ETC6510	38	ETC6849	269	ETC7126	276	ETC7201	554	ETC7503	147	ETC7934	128
ETC6510	92	ETC6850L	269	ETC7127	275	ETC7207	152	ETC7530	186	ETC7934	25
ETC6531	125	ETC6852	135	ETC7128	145	ETC7238	135	ETC7553L	261	ETC7934	76
ETC6531	126	ETC6852	136	ETC7128	190	ETC7238	136	ETC7554	180	ETC7939	111
ETC6531	172	ETC6881	121	ETC7128	42	ETC7238	180	ETC7558	152	ETC7939	112
ETC6531	214	ETC6882	121	ETC7128	97	ETC7286	175	ETC7596	124	ETC7939	113
ETC6531	73	ETC6883	121	ETC7135	38	ETC7331	151	ETC7596	22	ETC7939	114
ETC6531	74	ETC6884	121	ETC7135	92	ETC7333	134	ETC7596	72	ETC7939	135
ETC6532	125	ETC6885	121	ETC7136	149	ETC7333	82	ETC7633	147	ETC7939	136
ETC6532	126	ETC6886	121	ETC7136E	149	ETC7336	118	ETC7654	152	ETC7939	160
ETC6532	172	ETC6887	121	ETC7144	46	ETC7336	165	ETC7667	151	ETC7939	161
ETC6532	214	ETC6901	534	ETC7184	151	ETC7339	253	ETC7714	250	ETC7939	180
ETC6532	73	ETC6902	534	ETC7184	196	ETC7345	257	ETC7750	147	ETC7939	205
ETC6532	74	ETC6903	534	ETC7186	151	ETC7351	152	ETC7750	99	ETC7939	32
ETC6535	273	ETC6910	147	ETC7187	144	ETC7351	196	ETC7756	110	ETC7939	33
ETC6549	279	ETC6912	279	ETC7188	278	ETC7357	129	ETC7756	159	ETC7939	60
ETC6550	279	ETC6924	144	ETC7188	279	ETC7357	175	ETC7756	57	ETC7939	61
ETC6579	279	ETC6924	95	ETC7188	554	ETC7357	216	ETC7774	144	ETC7939	62
ETC6581	279	ETC6929	44	ETC7189	278	ETC7357	26	ETC7867	130	ETC7939	63
ETC6607	283	ETC6932	570	ETC7189	279	ETC7357	77	ETC7867	176	ETC7939	83
ETC6630	484	ETC6970	147	ETC7189	554	ETC7385	257	ETC7867	27	ETC7939	84
ETC6640	152	ETC6976	288	ETC7190	140	ETC7390	292	ETC7867	78	ETC7939	85
ETC6647	283	ETC7012	279	ETC7193	278	ETC7393	485	ETC7869	100	ETC7939	86
ETC6663	152	ETC7058	151	ETC7193	554	ETC7394	262	ETC7869	148	ETC7947	29
ETC6669	152	ETC7058	196	ETC7195	279	ETC7394	290	ETC7869	193	ETC7969	559
ETC6675	101	ETC7059	144	ETC7199	278	ETC7395	147	ETC7915	270	ETC7969	95
ETC6675	149	ETC7061	281	ETC7199	279	ETC7395	192	ETC7917	147	ETC7970	100
ETC6812	615	ETC7091	149	ETC7199	554	ETC7398	183	ETC7929	127	ETC7970	148
ETC6841	135	ETC7122	275	ETC7201	278	ETC7398	613	ETC7929	173	ETC7970	193





## DEFENDER 110 1987 onwards

1095

## NUMERICAL INDEX

PART NO	PAGE	PART NO	PAGE	PART NO	PAGE	PART NO	PAGE	PART NO	PAGE	PART NO	PAGE
ETC8001	184	ETC8440	294	ETC8765	296	FB106111L	230	FB108081L	56	FB108121L	292
ETC8002	184	ETC8441	292	ETC8767	124	FB106121L	189	FB108081L	585	FB108121L	80
ETC8003	184	ETC8441	296	ETC8808	184	FB106121L	96	FB108081L	64	FB108121L	847
ETC8003	225	ETC8442	126	ETC8808	225	FB108061	135	FB108081L	96	FB108131	222
ETC8007	191	ETC8442	171	ETC8809	184	FB108061	136	FB108101	1004	FB108131L	178
ETC8031	185	ETC8442	213	ETC8810	184	FB108061	329	FB108101	1009	FB108141L	178
ETC8031	226	ETC8442	23	ETC8810	225	FB108061	362	FB108101	178	FB108151L	178
ETC8036	184	ETC8442	74	ETC8820	152	FB108061	364	FB108101	186	FB108151L	180
ETC8036	226	ETC8445	248	ETC8820	197	FB108061	384	FB108101	220	FB108161L	192
ETC8074	126	ETC8470	195	ETC8829	128	FB108061	84	FB108101	227	FB108161L	219
ETC8074	171	ETC8511	281	ETC8829	25	FB108061	85	FB108101	236	FB108161L	330
ETC8074	213	ETC8513	281	ETC8829	76	FB108061	86	FB108101	307	FB108171	233
ETC8074	23	ETC8530	125	ETC8833	264	FB108061L	83	FB108101	330	FB108171	336
ETC8074	74	ETC8550	179	ETC8843	152	FB108071L	1031	FB108101	331	FB108171L	180
ETC8086	175	ETC8559	292	ETC8843	196	FB108071L	180	FB108101	435	FB108201L	178
ETC8095	186	ETC8559	294	ETC8847	184	FB108071L	219	FB108101	787	FB108201L	220
ETC8103	186	ETC8559	296	ETC8847	225	FB108071L	220	FB108111	336	FB108221	220
ETC8191	129	ETC8560	221	ETC8853	178	FB108081	337	FB108111L	142	FB108241	222
ETC8191	175	ETC8579	296	ETC8854	106	FB108081L	109	FB108111L	32	FB108251	176
ETC8191	216	ETC8586	136	ETC8854	155	FB108081L	115	FB108111L	324	FB108251	243
ETC8191	26	ETC8600	144	ETC8854	200	FB108081L	158	FB108111L	344	FB108251	448
ETC8191	77	ETC8620	91	ETC8854	53	FB108081L	162	FB108111L	362	FB108261	222
ETC8193	187	ETC8636	144	ETC9064	617	FB108081L	189	FB108111L	373	FB108301L	479
ETC8193	228	ETC8663	187	ETC9065	617	FB108081L	203	FB108111L	381	FB110071	245
ETC8194	184	ETC8663	228	ETC9077	106	FB108081L	206	FB108111L	382	FB110071M	363
ETC8352	171	ETC8666	152	ETC9077	155	FB108081L	220	FB108111L	393	FB110081M	364
ETC8352	213	ETC8676	129	ETC9077	53	FB108081L	292	FB108111L	83	FB110091M	363
ETC8362	23	ETC8720	288	FB105051L	375	FB108081L	295	FB108111L	93	FB110091M	364
ETC8362	74	ETC8751	196	FB106081L	1046	FB108081L	324	FB108121L	132	FB110131	221
ETC8412	195	ETC8751E	196	FB106081L	191	FB108081L	344	FB108121L	176	FB110141L	179







## DEFENDER 110 1987 onwards

1096

## NUMERICAL INDEX

PART NO	PAGE	PART NO	PAGE	PART NO	PAGE	PART NO	PAGE	PART NO	PAGE	PART NO	PAGE
FB110141L	748	FN108041L	511	FN108041L	798	FN110041	334	FRC2365	309	FRC2481	303
FC110107L	420	FN108041L	512	FN108041L	819	FN110041	364	FRC2365	326	FRC2481	330
FC110107L	427	FN108041L	514	FN108041L	820	FN110041L	207	FRC2365	349	FRC2481	331
FN105041L	243	FN108041L	522	FN108041L	822	FN110041L	244	FRC2365	366	FRC2481	347
FN106041	335	FN108041L	524	FN108041L	827	FN110041L	304	FRC2365	386	FRC2481	356
FN106047L	470	FN108041L	549	FN108041L	830	FN110041L	324	FRC2368	357	FRC2482	213
FN106047L	471	FN108041L	565	FN108041L	831	FN110041L	344	FRC2370	349	FRC2482	349
FN106047L	565	FN108041L	573	FN108041L	835	FN110041L	511	FRC2370	357	FRC2482	364
FN106047L	716	FN108041L	579	FN108041L	837	FRC1032	355	FRC2381	356	FRC2482	382
FN10804L	514	FN108041L	581	FN108041L	838	FRC1034	355	FRC2390	357	FRC2482	384
FN108041	227	FN108041L	583	FN108041L	846	FRC1035	355	FRC2402	303	FRC2487	358
FN108041	233	FN108041L	584	FN108041L	847	FRC1193	406	FRC2402	330	FRC2488	351
FN108041	236	FN108041L	585	FN108041L	853	FRC1195	406	FRC2402	331	FRC2488	352
FN108041	237	FN108041L	586	FN108041L	859	FRC1197	406	FRC2402	347	FRC2528	303
FN108041L	1004	FN108041L	588	FN108041L	865	FRC1199	406	FRC2445	351	FRC2528	331
FN108041L	1009	FN108041L	589	FN108041L	866	FRC1201	406	FRC2446	351	FRC2528	347
FN108041L	1026	FN108041L	590	FN108041L	877	FRC1203	406	FRC2447	351	FRC2542	349
FN108041L	1029	FN108041L	591	FN108041L	902	FRC167	381	FRC2448	351	FRC2554	351
FN108041L	1031	FN108041L	604	FN108041L	903	FRC2301	351	FRC2449	351	FRC2555	351
FN108041L	1033	FN108041L	609	FN108041L	905	FRC2301	352	FRC2454	427	FRC2556	351
FN108041L	1035	FN108041L	616	FN108041L	969	FRC2309	349	FRC2455	427	FRC2577	357
FN108041L	180	FN108041L	685	FN108041L	972	FRC2310	419	FRC2457	353	FRC2578	355
FN108041L	192	FN108041L	706	FN108041L	974	FRC2310	420	FRC2464	368	FRC2583	358
FN108041L	194	FN108041L	744	FN108041L	977	FRC2310	428	FRC2464	369	FRC2587	358
FN108041L	195	FN108041L	755	FN108041L	979	FRC2334	351	FRC2464	388	FRC2612	358
FN108041L	241	FN108041L	765	FN108041L	987	FRC2334	352	FRC2464	391	FRC2622	358
FN108041L	244	FN108041L	768	FN108041L	992	FRC2349	414	FRC2465	349	FRC2623	358
FN108041L	289	FN108041L	773	FN108401	831	FRC2349	416	FRC2468	349	FRC2626	324
FN108041L	435	FN108041L	783	FN110041	221	FRC2361	350	FRC2470	355	FRC2626	336
FN108041L	488	FN108041L	794	FN110041	222	FRC2365	307	FRC2479	352	FRC2626	344





## DEFENDER 110 1987 onwards

1097

## NUMERICAL INDEX

PART NO	PAGE	PART NO	PAGE	PART NO	PAGE	PART NO	PAGE	PART NO	PAGE	PART NO	PAGE
FRC2626	358	FRC3112	355	FRC3602	369	FRC4339	310	FRC4494	354	FRC4838	417
FRC2644	414	FRC3117	357	FRC3602	391	FRC4341	310	FRC4499	374	FRC4839	417
FRC2648	358	FRC3118	356	FRC3725	417	FRC4343	310	FRC4499	375	FRC4840	417
FRC2671	66	FRC3136	427	FRC3725	419	FRC4345	310	FRC4499	394	FRC4841	417
FRC2859	335	FRC3136	428	FRC3731	349	FRC4347	310	FRC4499	395	FRC4845	311
FRC2883	417	FRC3146	358	FRC3732	355	FRC4349	310	FRC4501	307	FRC4856	310
FRC2883	418	FRC3162	369	FRC3806	355	FRC4351	310	FRC4501	309	FRC4873	310
FRC2884	417	FRC3162	391	FRC3890	414	FRC4353	310	FRC4501	326	FRC4873	326
FRC2884	418	FRC3166	349	FRC3891	414	FRC4355	310	FRC4505	395	FRC4875	350
FRC2885	417	FRC3205	419	FRC3896	352	FRC4357	310	FRC4509	374	FRC4905	322
FRC2885	418	FRC3282	356	FRC3897	352	FRC4359	310	FRC4509	394	FRC4947	318
FRC2886	417	FRC3286	369	FRC3898	351	FRC4361	310	FRC4714	351	FRC4947	320
FRC2886	418	FRC3286	391	FRC3898	352	FRC4363	310	FRC4718	430	FRC4951	321
FRC2889	415	FRC3310	369	FRC3987	355	FRC4365	310	FRC4719	430	FRC4951	343
FRC2894	417	FRC3310	391	FRC3988	420	FRC4367	310	FRC4803	303	FRC5053	382
FRC2894	418	FRC3319	355	FRC3988	427	FRC4369	310	FRC4803	331	FRC5076	374
FRC2897	417	FRC3327	302	FRC4142	415	FRC4377	421	FRC4803	347	FRC5076	394
FRC2897	418	FRC3327	329	FRC4206	415	FRC4377	427	FRC4808	130	FRC5095	318
FRC2906	417	FRC3327	330	FRC4282	307	FRC4434	321	FRC4808	151	FRC5095	320
FRC2916	417	FRC3416	302	FRC4282	309	FRC4434	343	FRC4808	197	FRC5162	318
FRC2933	410	FRC3416	329	FRC4307	404	FRC4435	321	FRC4808	226	FRC5180	302
FRC2933	412	FRC3416	330	FRC4319	420	FRC4435	343	FRC4808	238	FRC5186	318
FRC2975	303	FRC3417	302	FRC4320	420	FRC4449	307	FRC4808	27	FRC5186	320
FRC2975	331	FRC3470	1062	FRC4321	315	FRC4449	308	FRC4808	363	FRC5204	406
FRC2975	347	FRC3477	1061	FRC4327	310	FRC4489	324	FRC4808	383	FRC5204	408
FRC3002	407	FRC3481	357	FRC4329	310	FRC4489	326	FRC4808	78	FRC5235	315
FRC3002	409	FRC3502	377	FRC4331	310	FRC4493	307	FRC4810	307	FRC5243	314
FRC3072	350	FRC3502	378	FRC4333	310	FRC4493	309	FRC4810	308	FRC5244	314
FRC3073	349	FRC3502	397	FRC4335	310	FRC4494	307	FRC4810	326	FRC5245	314
FRC3099	420	FRC3511	417	FRC4337	310	FRC4494	309	FRC4810	349	FRC5246	314





## DEFENDER 110 1987 onwards

1098

## NUMERICAL INDEX

PART NO	PAGE	PART NO	PAGE	PART NO	PAGE	PART NO	PAGE	PART NO	PAGE	PART NO	PAGE
FRC5247	314	FRC5388	1061	FRC5473	390	FRC5607	354	FRC6030	371	FRC6306	394
FRC5253	314	FRC5389	1062	FRC5478	373	FRC5608	354	FRC6030	390	FRC6316	323
FRC5255	302	FRC5391	1062	FRC5478	393	FRC5609	354	FRC6103	362	FRC6317	324
FRC5255	329	FRC5409	363	FRC5479	374	FRC5610	354	FRC6103	381	FRC6318	323
FRC5255	330	FRC5409	383	FRC5479	394	FRC5611	354	FRC6104	362	FRC6375	304
FRC5279	313	FRC5413	363	FRC5480	374	FRC5612	354	FRC6104	381	FRC6402	507
FRC5280	315	FRC5413	383	FRC5480	394	FRC5613	354	FRC6105	362	FRC6403	507
FRC5280	341	FRC5415	364	FRC5562	371	FRC5614	354	FRC6105	381	FRC6595	374
FRC5284	316	FRC5415	384	FRC5562	390	FRC5615	354	FRC6106	362	FRC6595	394
FRC5286	316	FRC5416	364	FRC5564	366	FRC5616	354	FRC6106	381	FRC6670	313
FRC5288	316	FRC5416	384	FRC5564	386	FRC5622	382	FRC6109	371	FRC6685	299
FRC5290	316	FRC5438	369	FRC5574	373	FRC5661	406	FRC6109	390	FRC6782	421
FRC5292	316	FRC5438	391	FRC5574	393	FRC5661	408	FRC6110	334	FRC6782	422
FRC5294	316	FRC5439	368	FRC5575	362	FRC5674	349	FRC6110	371	FRC6783	421
FRC5296	316	FRC5439	388	FRC5575	370	FRC5678	313	FRC6110	390	FRC6783	422
FRC5298	316	FRC5440	370	FRC5575	372	FRC5679	313	FRC6117	394	FRC6784	421
FRC5300	316	FRC5440	389	FRC5575	389	FRC5690	406	FRC6121	368	FRC6784	422
FRC5302	316	FRC5442	368	FRC5575	392	FRC5690	408	FRC6121	388	FRC6785	421
FRC5305	311	FRC5442	388	FRC5576	371	FRC5698	358	FRC6125	373	FRC6785	422
FRC5306	349	FRC5446	369	FRC5576	390	FRC5806	420	FRC6125	393	FRC6786	421
FRC5317	353	FRC5446	391	FRC5594	363	FRC5806	427	FRC6137	420	FRC6786	422
FRC5376	1061	FRC5449	370	FRC5594	383	FRC5859	321	FRC6137	427	FRC6787	421
FRC5378	1062	FRC5449	389	FRC5595	363	FRC5859	343	FRC6139	420	FRC6787	422
FRC5379	1061	FRC5450	369	FRC5595	383	FRC5864	321	FRC6145	305	FRC6788	421
FRC5380	1061	FRC5450	391	FRC5596	323	FRC5864	343	FRC6145	306	FRC6788	422
FRC5381	1061	FRC5468	371	FRC5602	354	FRC5926	422	FRC6145	332	FRC6789	421
FRC5383	1061	FRC5468	390	FRC5603	354	FRC5926	428	FRC6154	304	FRC6789	422
FRC5385	1062	FRC5469	371	FRC5604	354	FRC5928R	301	FRC6244	307	FRC6790	421
FRC5386	1062	FRC5469	390	FRC5605	354	FRC5978	352	FRC6244	308	FRC6790	422
FRC5387	1062	FRC5473	371	FRC5606	354	FRC6000	375	FRC6246	307	FRC6872	373





## DEFENDER 110 1987 onwards

1099

## NUMERICAL INDEX

PART NO	PAGE	PART NO	PAGE	PART NO	PAGE	PART NO	PAGE	PART NO	PAGE	PART NO	PAGE
FRC6872	393	FRC7202	507	FRC7452	367	FRC7871	390	FRC8093	397	FRC8232	312
FRC6873	373	FRC7202	508	FRC7452	387	FRC7884	367	FRC8104	307	FRC8232	313
FRC6873	393	FRC7214	318	FRC7453	367	FRC7885	372	FRC8104	308	FRC8232	315
FRC6933	1062	FRC7214	320	FRC7453	387	FRC7885	392	FRC8119	323	FRC8239	322
FRC6943	363	FRC7257	427	FRC7454	367	FRC7886	323	FRC8120	323	FRC8239	343
FRC6943	383	FRC7313	324	FRC7454	387	FRC7886	344	FRC8129	352	FRC8240	322
FRC6956	365	FRC7325	395	FRC7487	374	FRC7904R	346	FRC8139	351	FRC8246	318
FRC6956	385	FRC7329	507	FRC7493	324	FRC7926	365	FRC8141	317	FRC8246	320
FRC6958	365	FRC7330	321	FRC7493	344	FRC7926	385	FRC8154	407	FRC8250	358
FRC6958	385	FRC7332	321	FRC7499	365	FRC7929	372	FRC8154	409	FRC8270	357
FRC6960	365	FRC7333	321	FRC7499	385	FRC7929	392	FRC8170	322	FRC8271	358
FRC6960	385	FRC7333	343	FRC7752	351	FRC7930	362	FRC8170	343	FRC8285	318
FRC6968	365	FRC7334	321	FRC7752	352	FRC7930	374	FRC8176	353	FRC8285	320
FRC6968	385	FRC7334	343	FRC7752	353	FRC7930	394	FRC8202	375	FRC8290	363
FRC7018	1061	FRC7335	321	FRC7753	353	FRC7941	393	FRC8203	374	FRC8290	383
FRC7018	372	FRC7335	343	FRC7754	356	FRC7942	395	FRC8204	375	FRC8291	367
FRC7018	392	FRC7362	324	FRC7757	353	FRC7944	393	FRC8208	352	FRC8291	387
FRC7043	368	FRC7414	323	FRC7761	352	FRC7946	395	FRC8209	352	FRC8292	364
FRC7043	369	FRC7414	344	FRC7763	352	FRC7948	390	FRC8210	351	FRC8292	374
FRC7043	388	FRC7427	372	FRC7764	351	FRC7970	372	FRC8211	353	FRC8292	384
FRC7043	391	FRC7434	372	FRC7766	356	FRC7970	392	FRC8211	355	FRC8292	394
FRC7065	416	FRC7434	392	FRC7767	356	FRC7998	362	FRC8213	355	FRC8299	362
FRC7155	323	FRC7437	367	FRC7769	356	FRC7998	381	FRC8214	351	FRC8299	381
FRC7155	344	FRC7437	387	FRC7810	367	FRC8002	427	FRC8215	350	FRC8380	355
FRC7160	323	FRC7439	367	FRC7810	387	FRC8033	395	FRC8220	407	FRC8382	318
FRC7160	344	FRC7439	387	FRC7852	351	FRC8041	371	FRC8220	409	FRC8382	320
FRC7192	322	FRC7441	372	FRC7855	336	FRC8041	390	FRC8221	420	FRC8383	305
FRC7195	321	FRC7441	392	FRC7860	324	FRC8075	375	FRC8221	427	FRC8383	306
FRC7201	507	FRC7447	363	FRC7860	344	FRC8075	395	FRC8222	427	FRC8384	318
FRC7201	508	FRC7447	383	FRC7871	371	FRC8093	377	FRC8227	427	FRC8386	399





## DEFENDER 110 1987 onwards

1100

## NUMERICAL INDEX

PART NO	PAGE	PART NO	PAGE	PART NO	PAGE	PART NO	PAGE	PART NO	PAGE	PART NO	PAGE
FRC8389	400	FRC8555	427	FRC9389	315	FRC9568	331	FRC9938	386	FS105107	545
FRC8390	399	FRC8558	382	FRC9427	362	FRC9568	347	FRC9940	366	FS106101L	331
FRC8391	400	FRC8560	394	FRC9428	304	FRC9568	66	FRC9940	386	FS106121	416
FRC8397	349	FRC8561	373	FRC9428	337	FRC9620	350	FRC9942	366	FS106161	217
FRC8400	352	FRC8700	420	FRC9429	358	FRC9621	351	FRC9942	386	FS106161	224
FRC8401	352	FRC8700	422	FRC9430	337	FRC9758	320	FRC9944	366	FS106161	231
FRC8402	352	FRC8700	427	FRC9430	358	FRC9761	319	FRC9944	386	FS106161	344
FRC8403	352	FRC8700	428	FRC9460	367	FRC9792	312	FRC9946	366	FS106161	473
FRC8404	352	FRC8722	324	FRC9460	387	FRC9803	305	FRC9946	386	FS106161	483
FRC8405	352	FRC8722	358	FRC9462	367	FRC9803	332	FRC9948	366	FS106161	563
FRC8406	352	FRC8724	323	FRC9468N	380	FRC9812	316	FRC9948	386	FS106161	611
FRC8409	353	FRC8724	344	FRC9469N	361	FRC9851	365	FRC9950	366	FS106161L	323
FRC8421	355	FRC8751	382	FRC9470N	361	FRC9851	385	FRC9950	386	FS106161M	337
FRC8422	352	FRC8758	304	FRC9513	372	FRC9853	365	FRC9952	366	FS106161ML	332
FRC8452	356	FRC8766	374	FRC9513	392	FRC9853	385	FRC9952	386	FS106167	190
FRC8454	356	FRC8767	375	FRC9524	349	FRC9865	304	FRC9954	366	FS106167	289
FRC8455	357	FRC8768	375	FRC9526	316	FRC9926	363	FRC9954	386	FS106167	322
FRC8521	406	FRC8769	375	FRC9546	372	FRC9926	366	FRC9956	366	FS106167	42
FRC8529	348	FRC8773	323	FRC9546	392	FRC9926	383	FRC9956	386	FS106167	58
FRC8530	415	FRC8777	351	FRC9549	372	FRC9928	366	FRC9958	366	FS106167	73
FRC8530	416	FRC8777	352	FRC9549	392	FRC9928	386	FRC9958	386	FS106167	97
FRC8531	329	FRC8777	353	FRC9555	373	FRC9930	366	FRC9960	366	FS106167I	612
FRC8538	1062	FRC8782	402	FRC9556	352	FRC9930	386	FRC9960	386	FS106167L	1011
FRC8540	427	FRC8783	402	FRC9568	119	FRC9932	366	FRC9962	366	FS106167L	1012
FRC8541	1061	FRC8863	358	FRC9568	166	FRC9932	386	FRC9963	363	FS106167L	1064
FRC8544	371	FRC8899	392	FRC9568	209	FRC9934	366	FRC9963	383	FS106167L	1065
FRC8547	375	FRC8900	372	FRC9568	299	FRC9934	386	FS06167	763	FS106167L	1073
FRC8548	375	FRC8917	366	FRC9568	302	FRC9936	366	FS105101	233	FS106167L	1074
FRC8549	377	FRC8917	386	FRC9568	303	FRC9936	386	FS105107	207	FS106167L	283
FRC8549	397	FRC9386	313	FRC9568	330	FRC9938	366	FS105107	544	FS106167L	322





## DEFENDER 110 1987 onwards

1101

## NUMERICAL INDEX

PART NO	PAGE	PART NO	PAGE	PART NO	PAGE	PART NO	PAGE	PART NO	PAGE	PART NO	PAGE
FS106167L	470	FS106201L	200	FS106201L	814	FS108161L	565	FS108201L	367	FS108207L	838
FS106167L	471	FS106201L	29	FS106201L	819	FS108167	145	FS108201L	38	FS108207L	853
FS106167L	588	FS106201L	307	FS106201L	821	FS108201	214	FS108201L	387	FS108207L	907
FS106167L	591	FS106201L	323	FS106201L	830	FS108201	217	FS108201L	548	FS10825L	514
FS106167L	613	FS106201L	344	FS106201L	833	FS108201	226	FS108201L	549	FS108251	226
FS106167L	614	FS106201L	373	FS106201L	839	FS108201	236	FS108201L	565	FS108251	230
FS106167L	616	FS106201L	444	FS106201L	842	FS108201	238	FS108201L	581	FS108251	232
FS106167L	617	FS106201L	469	FS106201L	850	FS108201	239	FS108201L	584	FS108251	242
FS106167L	618	FS106201L	510	FS106201L	859	FS108201	240	FS108201L	609	FS108251	329
FS106167L	621	FS106201L	529	FS106201L	865	FS108201	435	FS108201L	75	FS108251	331
FS106167L	624	FS106201L	53	FS106201L	869	FS108201	438	FS108201L	80	FS108251	336
FS106167L	707	FS106201L	530	FS106201L	871	FS108201	439	FS108201L	87	FS108251L	1026
FS106167L	764	FS106201L	568	FS106201L	900	FS108201	992	FS108201L	980	FS108251L	1029
FS106167L	765	FS106201L	598	FS106201L	939	FS108201L	1004	FS108207	92	FS108251L	1031
FS106167L	766	FS106201L	609	FS106207	322	FS108201L	1009	FS108207L	127	FS108251L	1033
FS106167L	767	FS106201L	618	FS106207	393	FS108201L	1035	FS108207L	141	FS108251L	1062
FS106167L	774	FS106201L	619	FS106251	335	FS108201L	1046	FS108207L	162	FS108251L	173
FS106167L	783	FS106201L	620	FS106251	373	FS108201L	115	FS108207L	178	FS108251L	176
FS106167L	792	FS106201L	652	FS106255L	188	FS108201L	132	FS108207L	296	FS108251L	178
FS106167L	823	FS106201L	690	FS108121	220	FS108201L	137	FS108207L	45	FS108251L	182
FS106167L	835	FS106201L	755	FS108121	222	FS108201L	174	FS108207L	58	FS108251L	184
FS106167L	859	FS106201L	759	FS108121	223	FS108201L	181	FS108207L	589	FS108251L	185
FS106167L	865	FS106201L	760	FS108121	240	FS108201L	194	FS108207L	685	FS108251L	189
FS106167L	870	FS106201L	762	FS108161	226	FS108201L	206	FS108207L	706	FS108251L	191
FS106167L	900	FS106201L	764	FS108161	231	FS108201L	234	FS108207L	744	FS108251L	213
FS106201L	106	FS106201L	765	FS108161	236	FS108201L	24	FS108207L	755	FS108251L	219
FS106201L	1073	FS106201L	767	FS108161	240	FS108201L	283	FS108207L	765	FS108251L	220
FS106201L	1074	FS106201L	779	FS108161L	180	FS108201L	30	FS108207L	769	FS108251L	289
FS106201L	133	FS106201L	799	FS108161L	200	FS108201L	31	FS108207L	773	FS108251L	344
FS106201L	155	FS106201L	81	FS108161L	217	FS108201L	34	FS108207L	831	FS108251L	443





## DEFENDER 110 1987 onwards

1102

## NUMERICAL INDEX

PART NO	PAGE	PART NO	PAGE	PART NO	PAGE	PART NO	PAGE	PART NO	PAGE	PART NO	PAGE
FS108251L	450	FS108251L	96	FS110301	224	FTC1332	414	FTC1748	363	FTC2175	429
FS108251L	483	FS108251L	968	FS110301	241	FTC1333	414	FTC1752	314	FTC2176	429
FS108251L	511	FS108251L	969	FS110301	242	FTC1361	313	FTC1760	314	FTC2177	430
FS108251L	512	FS108251L	971	FS110301	245	FTC1368	508	FTC1765	321	FTC2177	431
FS108251L	514	FS108251L	972	FS110301L	183	FTC1368	510	FTC1791	315	FTC2178	430
FS108251L	515	FS108251L	974	FS110301L	207	FTC1378	428	FTC1814	321	FTC2178	431
FS108251L	522	FS108251L	977	FS110301L	209	FTC1403	308	FTC1919	364	FTC2190	308
FS108251L	524	FS108251L	979	FS110301L	244	FTC1404	309	FTC1967	510	FTC2192	306
FS108251L	549	FS108251L	987	FS110301L	442	FTC1406	311	FTC1989	314	FTC2193	321
FS108251L	573	FS108251M	338	FS110301L	547	FTC1416	319	FTC1994	209	FTC2210	308
FS108251L	579	FS108251M	363	FS110301L	548	FTC1420	311	FTC1994	245	FTC2212	423
FS108251L	591	FS108251ML	371	FS112401	334	FTC1428	311	FTC2005	314	FTC2282	313
FS108251L	592	FS108251ML	373	FS504047	281	FTC1435	320	FTC2005	339	FTC2283	314
FS108251L	593	FS108301	222	FTC1074	319	FTC1438	310	FTC2005	341	FTC2284	314
FS108251L	685	FS108301	235	FTC1084	372	FTC1441	309	FTC2006	314	FTC2352	423
FS108251L	719	FS108301L	176	FTC1112	311	FTC1441	336	FTC2007	314	FTC2353	423
FS108251L	721	FS108301L	200	FTC1249	400	FTC1446	311	FTC2008	314	FTC2383	336
FS108251L	746	FS108301L	243	FTC1250	400	FTC1455	315	FTC2009	314	FTC2385	342
FS108251L	773	FS108301L	302	FTC1250	401	FTC1488	343	FTC2061	363	FTC2392	336
FS108251L	783	FS108301L	32	FTC1271	330	FTC1489	322	FTC2061	383	FTC2396	339
FS108251L	794	FS108301L	323	FTC1282	311	FTC1490	321	FTC2084	314	FTC2396	340
FS108251L	800	FS108301L	337	FTC1293	311	FTC1518	307	FTC2089	314	FTC2397	339
FS108251L	822	FS108301L	381	FTC1301	314	FTC1518	308	FTC2090	314	FTC2397	340
FS108251L	835	FS108301L	548	FTC1310	312	FTC1533	308	FTC2102	308	FTC2450	321
FS108251L	846	FS108301L	549	FTC1311	313	FTC159	66	FTC2104	309	FTC2462	313
FS108251L	878	FS108301L	56	FTC1311	339	FTC160	299	FTC2104	336	FTC248	319
FS108251L	879	FS108301L	974	FTC1311	340	FTC1724	428	FTC2149	119	FTC248	342
FS108251L	902	FS108301L	979	FTC1311	341	FTC1725	428	FTC2149	166	FTC2504	312
FS108251L	903	FS108351L	292	FTC1312	313	FTC1740	428	FTC2149	209	FTC2505	312
FS108251L	905	FS108351L	294	FTC1313	312	FTC1741	372	FTC2149	245	FTC2528	417





## DEFENDER 110 1987 onwards

1103

## NUMERICAL INDEX

PART NO	PAGE	PART NO	PAGE	PART NO	PAGE	PART NO	PAGE	PART NO	PAGE	PART NO	PAGE
FTC2529	417	FTC279	319	FTC317	342	FTC3310	418	FTC3586	412	FTC3747	332
FTC2530	417	FTC281	319	FTC3179	422	FTC3311	418	FTC3587	337	FTC3749	332
FTC2531	417	FTC2822	310	FTC3179	428	FTC3320	510	FTC3620	412	FTC3751	332
FTC254	414	FTC283	319	FTC3183	419	FTC3321	510	FTC3623	308	FTC3753	332
FTC2582	342	FTC285	319	FTC3183	422	FTC3361	343	FTC3646	414	FTC3755	332
FTC263	319	FTC2859	372	FTC3185	422	FTC3366	338	FTC3646	416	FTC3757	332
FTC265	319	FTC2859	392	FTC3185	428	FTC3370	343	FTC3647	417	FTC3759	332
FTC267	319	FTC287	319	FTC3196	66	FTC3371	341	FTC3647	418	FTC3761	332
FTC2687	336	FTC2882	418	FTC3197	299	FTC3373	313	FTC3648	419	FTC3763	333
FTC269	319	FTC2885	343	FTC322N	346	FTC3375	508	FTC3648	420	FTC3765	333
FTC271	319	FTC2887	340	FTC322R	346	FTC3382	321	FTC3649	427	FTC3767	333
FTC2712	340	FTC289	319	FTC3232	424	FTC3382	332	FTC3649	428	FTC3769	333
FTC2714	339	FTC291	319	FTC3245	400	FTC3382	343	FTC3670	418	FTC3771	333
FTC2716	339	FTC293	319	FTC3267	412	FTC3387	336	FTC3674	371	FTC3773	333
FTC2725	342	FTC2941	342	FTC3268	412	FTC3391	342	FTC3696	338	FTC3775	333
FTC2727	341	FTC2945	342	FTC3269	412	FTC3401	415	FTC3697	341	FTC3777	333
FTC273	319	FTC2946	341	FTC3272	408	FTC3401	416	FTC3698	371	FTC3779	333
FTC2731	341	FTC2948	339	FTC3272R	408	FTC3454	415	FTC3699	341	FTC3781	333
FTC2733	339	FTC295	319	FTC3276	416	FTC3454	416	FTC3700	341	FTC3783	333
FTC2737	338	FTC2957	302	FTC3278	508	FTC3455	419	FTC3701	336	FTC3785	333
FTC275	319	FTC2957	330	FTC3279	508	FTC3456	415	FTC3703	338	FTC3787	333
FTC2750	406	FTC2974	342	FTC3280	402	FTC3456	416	FTC3711	337	FTC382	372
FTC2750R	406	FTC311	310	FTC3281	402	FTC347	311	FTC3713	337	FTC3846	510
FTC277	319	FTC3145	419	FTC3299	510	FTC357	313	FTC3721	423	FTC3847	342
FTC278	370	FTC3145	428	FTC3300	403	FTC358	312	FTC3721	424	FTC3848	332
FTC278	389	FTC3148	416	FTC3301	403	FTC3581	343	FTC3722	424	FTC3850	342
FTC2783	420	FTC3149	416	FTC3304	424	FTC3582	343	FTC3739	332	FTC3852	374
FTC2783	422	FTC316	310	FTC3306	510	FTC3583	343	FTC3741	332	FTC3852	394
FTC2783	427	FTC316	326	FTC3308	418	FTC3584	339	FTC3743	332	FTC3853	413
FTC2783	428	FTC317	319	FTC3309	418	FTC3584	340	FTC3745	332	FTC3855	413







## DEFENDER 110 1987 onwards

1104

## NUMERICAL INDEX

PART NO	PAGE	PART NO	PAGE	PART NO	PAGE	PART NO	PAGE	PART NO	PAGE	PART NO	PAGE
FTC3857	413	FTC3953	341	FTC4113	343	FTC4312	333	FTC736	370	FTC766	370
FTC3859	413	FTC3955	341	FTC4131	332	FTC4314	333	FTC736	389	FTC766	389
FTC3861	413	FTC3957	341	FTC4171	339	FTC4316	333	FTC738	370	FTC768	370
FTC3863	413	FTC3959	341	FTC4171	340	FTC4318	333	FTC738	389	FTC768	389
FTC3865	413	FTC3961	341	FTC4171	341	FTC4320	333	FTC740	370	FTC770	370
FTC3867	413	FTC3963	341	FTC4172	339	FTC4322	333	FTC740	389	FTC770	389
FTC3869	408	FTC3965	341	FTC4172	340	FTC4324	333	FTC742	370	FTC772	370
FTC3871	408	FTC3967	341	FTC4173	329	FTC4326	333	FTC742	389	FTC772	389
FTC3873	408	FTC3969	341	FTC4174	329	FTC4413	405	FTC744	370	FTC774	370
FTC3875	408	FTC4007	313	FTC4177	329	FTC4449	336	FTC744	389	FTC774	389
FTC3877	408	FTC4008	314	FTC4178	362	FTC4483	337	FTC746	370	FTC776	370
FTC3879	408	FTC4009	314	FTC4178	381	FTC4510	323	FTC746	389	FTC776	389
FTC3881	408	FTC4010	314	FTC4186	383	FTC4510	326	FTC748	370	FTC781	410
FTC3883	408	FTC4011	313	FTC4187	363	FTC4510	344	FTC748	389	FTC781	412
FTC3885	408	FTC4018	334	FTC4188	366	FTC4536	321	FTC750	370	FTC782N	406
FTC3887	408	FTC4021	336	FTC419	320	FTC4536	343	FTC750	389	FTC840	419
FTC3889	408	FTC4036	358	FTC4206	336	FTC503	324	FTC752	370	FTC859	422
FTC3891	408	FTC4036	374	FTC4229	329	FTC56	419	FTC752	389	FTC859	428
FTC3893	408	FTC4036	394	FTC4238	338	FTC575	119	FTC754	370	FTC861	419
FTC3895	408	FTC4037	373	FTC4241	336	FTC575	166	FTC754	389	FTC890	308
FTC3904	431	FTC4037	393	FTC4242	341	FTC575	209	FTC756	370	FTC902	508
FTC3905	400	FTC4053	336	FTC4245	341	FTC575	245	FTC756	389	FTC916	315
FTC3911	330	FTC4056	332	FTC4296	333	FTC726	370	FTC758	370	FTC918	306
FTC3912	330	FTC4095	375	FTC4298	333	FTC726	389	FTC758	389	FTC942	422
FTC3915	344	FTC4108	332	FTC4300	333	FTC730	370	FTC760	370	FTC942	428
FTC3921	334	FTC4108	343	FTC4302	333	FTC730	389	FTC760	389	FTC943	422
FTC3922	334	FTC4112	305	FTC4304	333	FTC732	370	FTC762	370	FTC943	428
FTC3927	338	FTC4112	306	FTC4306	333	FTC732	389	FTC762	389	FTC988	1061
FTC3928	338	FTC4112	326	FTC4308	333	FTC734	370	FTC764	370	FTP8030	599
FTC3951	341	FTC4112	332	FTC4310	333	FTC734	389	FTC764	389	FX108047L	243





## DEFENDER 110 1987 onwards

1105

## NUMERICAL INDEX

PART NO	PAGE	PART NO	PAGE	PART NO	PAGE	PART NO	PAGE	PART NO	PAGE	PART NO	PAGE
FX110041	222	LYQ100050	336	MRC4753	794	MRC5527	823	MRC7104	939	MRC8388	760
FX110041	233	LZX1505	275	MRC4754	794	MRC5527	838	MRC7132	682	MRC8388	762
FX110041	548	LZX1600L	275	MRC4798	995	MRC5527	839	MRC7279	666	MRC8389	1026
FX110041L	218	LZX1988L	275	MRC4846	1046	MRC5527	859	MRC7281	629	MRC8390	1026
FX112041L	218	LZX1989L	275	MRC4885	1031	MRC5527	902	MRC7281	666	MRC8392	1026
F608081	992	LZX2107L	275	MRC4886	1031	MRC5528	1002	MRC7282	915	MRC8393	1026
GG106251L	450	ML106015	568	MRC5049	763	MRC5528	1009	MRC7283	915	MRC8420	874
GG108251L	450	ML106015	569	MRC5050	763	MRC5528	759	MRC7350	1069	MRC8444	813
GG108251L	478	MM106301L	1069	MRC5071	836	MRC5528	765	MRC7354	1026	MRC8444	819
GG605081	476	MRC1300	992	MRC5153	765	MRC5528	816	MRC7359	1064	MRC8524	1029
GS108081L	350	MRC1525	629	MRC5153	767	MRC5528	999	MRC7360	1064	MRC8564	734
GS110501	324	MRC1525	666	MRC5394	927	MRC5695	575	MRC7361	1064	MRC8564	736
GS110501	344	MRC1638	1036	MRC5509	762	MRC5757	1046	MRC7361	1065	MRC8564	737
GS112141L	358	MRC1979	890	MRC5524	1027	MRC5757	744	MRC7362	1064	MRC8584	915
HAM4301L	690	MRC1980	789	MRC5525	759	MRC5765	768	MRC7365	1070	MRC8585	915
HN2005L	252	MRC1980	793	MRC5525	760	MRC6019	765	MRC7411	755	MRC8626	754
HN2005L	268	MRC1980	798	MRC5525	762	MRC6027	830	MRC7610	1026	MRC8626	755
HN2005L	674	MRC199	1026	MRC5525	807	MRC6027	839	MRC7623	776	MRC8626	757
JPC5641LUN	932	MRC200	1026	MRC5525	810	MRC6028	830	MRC7626	1028	MRC8626	759
JPC5641LUN	936	MRC2178	789	MRC5525	813	MRC6028	839	MRC7626	1034	MRC8626	838
JPC9023PMA	803	MRC2244	832	MRC5525	859	MRC6051	777	MRC7755	1027	MRC8732	1064
JRC1775PMA	808	MRC2245	832	MRC5525	865	MRC6052	777	MRC8047	772	MRC8732	1065
JRC1775PMA	811	MRC2481	765	MRC5525	957	MRC6359	768	MRC8094	876	MRC8736	830
JS660L	529	MRC2762	789	MRC5525	966	MRC6360	768	MRC8136	760	MRC8736	837
JS660L	530	MRC2762	793	MRC5525	994	MRC6436	838	MRC8136	762	MRC8926	778
JZX1039L	275	MRC4037	783	MRC5527	1016	MRC6437	838	MRC8225	724	MRC9006	814
JZX1181L	275	MRC4473	891	MRC5527	728	MRC6843	1004	MRC8269	772	MRC9006	819
JZX1303L	275	MRC4583	890	MRC5527	754	MRC6843	1009	MRC8329	1026	MRC9244	775
JZX1394L	275	MRC4619	891	MRC5527	755	MRC6845	1004	MRC8330	1026	MRC9361	1032
KTP9024	597	MRC4731	1030	MRC5527	756	MRC6845	1009	MRC8378	625	MRC9362	1032





## DEFENDER 110 1987 onwards

1106

## NUMERICAL INDEX

PART NO	PAGE	PART NO	PAGE	PART NO	PAGE	PART NO	PAGE	PART NO	PAGE	PART NO	PAGE
MRC9367	1032	MRC9720	756	MTC1448	851	MTC1948RD	965	MTC2863	786	MTC3469	796
MRC9368	1032	MRC9734	783	MTC1461	845	MTC1949RD	966	MTC2864	786	MTC3470	796
MRC9377	784	MRC9735	783	MTC1462	845	MTC1949RD	973	MTC3000	1073	MTC3474	868
MRC9378	784	MRC9747	890	MTC1479	848	MTC1950RD	965	MTC3001	1073	MTC3476	857
MRC9388	841	MRC9833	859	MTC1481	848	MTC2062	777	MTC3021	878	MTC3476	862
MRC9393	772	MRC9833	866	MTC1482	848	MTC2063	777	MTC3032	1033	MTC3481	852
MRC9394	772	MRC9851	653	MTC1490	1044	MTC2106	823	MTC3042	1033	MTC3482	852
MRC9416	813	MRC9922	628	MTC1531	821	MTC2107	823	MTC3046	831	MTC3486	852
MRC9417	813	MRC9938	625	MTC1584	1044	MTC2136	778	MTC3051	1033	MTC3499	449
MRC9420	750	MRC9939	625	MTC1592	1045	MTC2138	877	MTC3052	1033	MTC3515	851
MRC9431	809	MRC9940	625	MTC1594	851	MTC2202	761	MTC3076	878	MTC3521	846
MRC9431	819	MRC9941	625	MTC1595	845	MTC2203	761	MTC3084	880	MTC3523	914
MRC9438	764	MRC9998	625	MTC1631	1027	MTC2220	776	MTC3085	880	MTC3533	850
MRC9438	767	MR106300	1045	MTC1650	482	MTC2224	823	MTC3086	880	MTC3534	850
MRC9481	957	MR106300	845	MTC1650	750	MTC2225	823	MTC3087	880	MTC3538	845
MRC9492	957	MTC1039	836	MTC1670	963	MTC2248	756	MTC3091	880	MTC3556	822
MRC9493	957	MTC1042	798	MTC1671	963	MTC2252	754	MTC3099	880	MTC3557	822
MRC9520	783	MTC1078	450	MTC1672	965	MTC2548	877	MTC3126	846	MTC3558	846
MRC9544	769	MTC1233	878	MTC1673RD	965	MTC2574AE	898	MTC3127	846	MTC3569	845
MRC9564	890	MTC1233	880	MTC1674RD	963	MTC2574AG	898	MTC3139	821	MTC3611	482
MRC9570	513	MTC1356	1041	MTC1675RD	963	MTC2575AE	898	MTC3165	1039	MTC3705LDQ	914
MRC9570	514	MTC1357	1041	MTC1710	921	MTC2575AG	898	MTC3166	1039	MTC3801	449
MRC9571	513	MTC1359	1038	MTC1714	957	MTC2607	729	MTC3203	1002	MTC3862	770
MRC9603	902	MTC1359	1041	MTC1715	957	MTC2640	914	MTC3203	868	MTC3874	1073
MRC9603	903	MTC1382	450	MTC1932RD	964	MTC2704	778	MTC3203	870	MTC3902	844
MRC9603	905	MTC1409	845	MTC1932RD	968	MTC2799	752	MTC3203	922	MTC3906	848
MRC9619	814	MTC1416	1044	MTC1932RD	971	MTC2805	628	MTC3350	851	MTC3907	848
MRC9664	759	MTC1423	1044	MTC1933RD	963	MTC2808	722	MTC3452	786	MTC3908	821
MRC9668	629	MTC1439	821	MTC1943	966	MTC2826	914	MTC3461	825	MTC3917	821
MRC9669	629	MTC1439	850	MTC1944	965	MTC2827	914	MTC3462	825	MTC3923	822





## DEFENDER 110 1987 onwards

1107

## NUMERICAL INDEX

PART NO	PAGE	PART NO	PAGE	PART NO	PAGE	PART NO	PAGE	PART NO	PAGE	PART NO	PAGE
MTC4002	853	MTC4320	526	MTC4993	852	MTC5573	663	MTC6452	997	MTC6873AA	874
MTC4003	853	MTC4412	855	MTC4994	868	MTC5578	666	MTC6453	997	MTC6873CL	874
MTC4054	906	MTC4460	821	MTC4994	870	MTC5581	665	MTC6503	815	MTC6873CUF	874
MTC4054	907	MTC4483RD	990	MTC5034	862	MTC5698	937	MTC6504	815	MTC6873CUH	875
MTC4061AE	899	MTC4488RD	997	MTC5038	848	MTC5699	937	MTC6505	815	MTC6873CUY	875
MTC4061AG	899	MTC4489RD	989	MTC5039	848	MTC5851	912	MTC6506	815	MTC6873HAF	875
MTC4063	898	MTC4491RD	1005	MTC5083	890	MTC6006	628	MTC6507	815	MTC6873HC	874
MTC4090	1029	MTC4581	901	MTC5084	890	MTC6007	628	MTC6544	825	MTC6873HN	874
MTC4095	754	MTC4583	901	MTC5086	852	MTC6015	753	MTC6568	868	MTC6873HUJ	874
MTC4111	801	MTC4584	901	MTC5197	825	MTC6040	911	MTC6568	870	MTC6873HUL	875
MTC4132	678	MTC4601	1039	MTC5212	922	MTC6080	914	MTC6630	798	MTC6873HYE	875
MTC4156	846	MTC4617LDQ	912	MTC5212	928	MTC6109	753	MTC6686	928	MTC6873JC	874
MTC4164	835	MTC4618LDQ	912	MTC5212	934	MTC6142	911	MTC6686	932	MTC6873JP	874
MTC4165	835	MTC4657	939	MTC5212	936	MTC6143	911	MTC6792	994	MTC6873JUG	874
MTC4196	760	MTC4771	450	MTC5227	915	MTC6154	852	MTC6793	989	MTC6873JUH	874
MTC4197	761	MTC4824	821	MTC5312	857	MTC6166	915	MTC6794	989	MTC6873LN	874
MTC4215	761	MTC4826	771	MTC5394	856	MTC6167	915	MTC6795	989	MTC6873LUS	875
MTC4220	771	MTC4829	771	MTC5394	860	MTC6194	628	MTC6798	754	MTC6873NM	874
MTC4290	801	MTC4844	822	MTC5395	856	MTC6232	826	MTC6801	995	MTC6873NUC	875
MTC4313	893	MTC4845	822	MTC5395	860	MTC6232	858	MTC6801	996	MTC6873PUE	875
MTC4313	895	MTC4846	821	MTC5428	900	MTC6233	826	MTC6802	995	MTC6873SUB	874
MTC4313	897	MTC4865	925	MTC5429	900	MTC6302	681	MTC6802	996	MTC6874AA	784
MTC4313	899	MTC4865	926	MTC5458	723	MTC6305	759	MTC6820	927	MTC6874CL	784
MTC4314	893	MTC4866	924	MTC5459	723	MTC6324	939	MTC6827	770	MTC6874CUF	784
MTC4314	895	MTC4888	821	MTC5463	788	MTC6332	769	MTC6835	1036	MTC6874CUH	785
MTC4314	897	MTC4942	908	MTC5486	935	MTC6340	758	MTC6836	1036	MTC6874CUY	785
MTC4314	899	MTC4943	907	MTC5486	936	MTC6376	890	MTC6839	1036	MTC6874HC	784
MTC4315	899	MTC4944	907	MTC5519	909	MTC6382	629	MTC6840	1036	MTC6874HN	784
MTC4317	898	MTC4945	907	MTC5525	763	MTC6413	939	MTC6871	915	MTC6874HUJ	785
MTC4319	899	MTC4992	852	MTC5571	661	MTC6448	997	MTC6872	755	MTC6874HUL	785





## DEFENDER 110 1987 onwards

1108

## NUMERICAL INDEX

PART NO	PAGE	PART NO	PAGE	PART NO	PAGE	PART NO	PAGE	PART NO	PAGE	PART NO	PAGE
MTC6874HYE	785	MTC6875SUB	785	MTC7513	568	MTC7981	829	MTC8473	788	MTC9962	973
MTC6874JC	784	MTC7004	1066	MTC7513	826	MTC7981	836	MTC8474	788	MTC9962	977
MTC6874JP	784	MTC7040	1066	MTC7513	839	MTC8145	904	MTC8477	802	MTC9962	978
MTC6874JUG	785	MTC7041	1066	MTC7513	869	MTC8146	904	MTC8478	804	MTC9962	979
MTC6874JUH	785	MTC7155	814	MTC7513	871	MTC8270	862	MTC8500	636	MTC9967	964
MTC6874LN	784	MTC7193AE	893	MTC7513	999	MTC8270	864	MTC8788	792	MTC9967	968
MTC6874LUS	785	MTC7193AE	895	MTC7516	665	MTC8271	862	MTC8789	792	MTC9967	971
MTC6874NM	784	MTC7193AE	897	MTC7523	818	MTC8271	864	MTC8790	805	MTC9967	977
MTC6874NUC	785	MTC7200AE	895	MTC7523	820	MTC8331	869	MTC8791	805	MTC9968	915
MTC6874PUE	785	MTC7200AG	895	MTC7525	820	MTC8331	871	MTC8947	861	MUC1005	862
MTC6874SUB	785	MTC7252	901	MTC7631	957	MTC8332	869	MTC8951	796	MUC1005	864
MTC6875AA	784	MTC7384	903	MTC7631	964	MTC8332	871	MTC9424	996	MUC1008	862
MTC6875CL	784	MTC7400	915	MTC7710AE	893	MTC8333	857	MTC9428	949	MUC1008	864
MTC6875CUF	784	MTC7431	901	MTC7710AG	893	MTC8334	834	MTC9428	950	MUC1028	817
MTC6875CUH	785	MTC7457	1038	MTC7711AE	893	MTC8334	843	MTC9429	949	MUC1030	813
MTC6875CUY	785	MTC7464	878	MTC7711AG	893	MTC8335	1003	MTC9429	950	MUC1049	809
MTC6875HC	784	MTC7465	878	MTC7737	628	MTC8335	1006	MTC9773	901	MUC1086	908
MTC6875HN	784	MTC7466	878	MTC7769	780	MTC8335	1010	MTC9914	710	MUC1098	861
MTC6875HUJ	785	MTC7471AE	895	MTC7770	780	MTC8335	999	MTC9915	710	MUC1139	666
MTC6875HUL	785	MTC7471AG	895	MTC7825	802	MTC8349	926	MTC9915LCS	710	MUC1227	756
MTC6875HYE	785	MTC7480	850	MTC7826	802	MTC8357	1073	MTC9956	963	MUC1228	756
MTC6875JC	784	MTC7481	850	MTC7828	804	MTC8358	1073	MTC9958	965	MUC1233	761
MTC6875JP	784	MTC7482	850	MTC7829	804	MTC8376	899	MTC9959	966	MUC1234	761
MTC6875JUG	785	MTC7483	850	MTC7861	876	MTC8440	1073	MTC9959	973	MUC1237	754
MTC6875JUH	785	MTC7511	851	MTC7878	840	MTC8441	1073	MTC9959	979	MUC1248	924
MTC6875LN	784	MTC7512	851	MTC7879	840	MTC8460	804	MTC9962	964	MUC1249	952
MTC6875LUS	785	MTC7513	1003	MTC7886	836	MTC8461	804	MTC9962	965	MUC1250	952
MTC6875NM	784	MTC7513	1006	MTC7887	836	MTC8468	802	MTC9962	966	MUC1253	952
MTC6875NUC	785	MTC7513	1010	MTC7980	829	MTC8471	804	MTC9962	968	MUC1254	952
MTC6875PUE	785	MTC7513	1074	MTC7980	836	MTC8472	804	MTC9962	971	MUC1255	952





## DEFENDER 110 1987 onwards

1109

## NUMERICAL INDEX

PART NO	PAGE	PART NO	PAGE	PART NO	PAGE	PART NO	PAGE	PART NO	PAGE	PART NO	PAGE
MUC1256RD	924	MUC1361RD	943	MUC1582	913	MUC1678	699	MUC1961	800	MUC3023	722
MUC1257LDE	943	MUC1362LDE	944	MUC1583	714	MUC1679	492	MUC2002	881	MUC3024	803
MUC1257RD	943	MUC1362RD	943	MUC1584	714	MUC1679	648	MUC2003	881	MUC3025	803
MUC1258LDE	944	MUC1363LDE	944	MUC1604	792	MUC1680	660	MUC2153	916	MUC3026	806
MUC1258RD	943	MUC1363RD	944	MUC1605	792	MUC1682	637	MUC2153	917	MUC3027	806
MUC1259LDE	944	MUC1364RD	947	MUC1621	952	MUC1682	641	MUC2160RD	946	MUC3036	918
MUC1259RD	944	MUC1365RD	947	MUC1651	788	MUC1701	914	MUC2161RD	947	MUC3037	918
MUC1260RD	946	MUC1367	714	MUC1651	792	MUC1703	914	MUC2165	714	MUC3096	861
MUC1261RD	946	MUC1368	714	MUC1652	788	MUC1704	862	MUC2210	925	MUC3097	861
MUC1264LDE	944	MUC1382	914	MUC1657	662	MUC1704	864	MUC2268	952	MUC3242	929
MUC1264RD	943	MUC1383	914	MUC1658	662	MUC1705	862	MUC2269	952	MUC3244	914
MUC1265LDE	944	MUC1384	914	MUC1659	662	MUC1705	864	MUC2270	952	MUC3249	914
MUC1265RD	944	MUC1402	921	MUC1660	662	MUC1706	862	MUC2271	952	MUC3278	666
MUC1266RD	947	MUC1412	760	MUC1661	640	MUC1706	864	MUC2296	929	MUC3302	828
MUC1268	945	MUC1474	929	MUC1661	645	MUC1707	862	MUC2364	892	MUC3303	829
MUC1269	945	MUC1484	861	MUC1663	637	MUC1707	864	MUC2366	892	MUC3309	828
MUC1286	739	MUC1488	958	MUC1665	659	MUC1713	802	MUC2368	892	MUC3394	794
MUC1322	792	MUC1494	943	MUC1666	660	MUC1714	804	MUC2379	955	MUC3394	808
MUC1324	859	MUC1495	950	MUC1667	660	MUC1716	914	MUC2380	955	MUC3394	811
MUC1324	865	MUC1495	953	MUC1668	658	MUC1730	788	MUC2381	955	MUC3492	805
MUC1353AV	950	MUC1497	945	MUC1669	660	MUC1731	788	MUC2382	955	MUC3493	805
MUC1353LDE	950	MUC1498	945	MUC1670	660	MUC1757	948	MUC2417	566	MUC3498	753
MUC1356RD	924	MUC1499	943	MUC1671	648	MUC1757LDE	948	MUC2417	625	MUC3566	856
MUC1357LDE	944	MUC1500	949	MUC1672	699	MUC1758LDE	951	MUC2418	625	MUC3566	860
MUC1357RD	944	MUC1501	862	MUC1673	659	MUC1758RD	951	MUC2419	625	MUC3590	781
MUC1358LDE	944	MUC1501	864	MUC1674	659	MUC1759	950	MUC2440	891	MUC3601	781
MUC1358RD	943	MUC1508	928	MUC1675	637	MUC1759LDE	950	MUC2442	891	MUC3630	930
MUC1359RD	946	MUC1520	958	MUC1675	641	MUC1888	790	MUC2443	891	MUC3630	933
MUC1360RD	946	MUC1554	929	MUC1676	699	MUC1889	790	MUC2594	786	MUC3631	930
MUC1361LDE	943	MUC1555	929	MUC1677	699	MUC1961	793	MUC2934	892	MUC3631	933





## DEFENDER 110 1987 onwards

1110

## NUMERICAL INDEX

PART NO	PAGE	PART NO	PAGE	PART NO	PAGE	PART NO	PAGE	PART NO	PAGE	PART NO	PAGE
MUC3695	659	MUC3962	829	MUC4319	754	MUC4866	648	MUC6040	641	MUC6419	891
MUC3707	890	MUC3963	829	MUC4358	640	MUC4871	648	MUC6042	637	MUC6452	916
MUC3708	890	MUC3964	828	MUC4358	645	MUC4872	647	MUC6042	641	MUC6452	917
MUC3733	786	MUC3971	828	MUC4358	647	MUC4874	647	MUC6050	637	MUC6453	916
MUC3764	861	MUC3974	828	MUC4375	637	MUC4875	647	MUC6050	641	MUC6453	917
MUC3765	861	MUC4025	861	MUC4375	641	MUC4878	648	MUC6052	637	MUC6457	775
MUC3766	861	MUC4025	863	MUC4455	648	MUC4880	660	MUC6052	641	MUC6484	928
MUC3767	861	MUC4027	755	MUC4455	661	MUC4881	659	MUC6053	637	MUC6485	928
MUC3768	861	MUC4061ABE	901	MUC4471	799	MUC4882	659	MUC6053	641	MUC6486	928
MUC3768	863	MUC4061ACG	901	MUC4474	799	MUC4883	658	MUC6054	637	MUC6487	928
MUC3769	861	MUC4071	802	MUC4477	799	MUC4884	658	MUC6054	641	MUC6488	928
MUC3770	861	MUC4072	802	MUC4481	799	MUC4886	658	MUC6055	637	MUC6489	928
MUC3770	863	MUC4072	804	MUC4486	799	MUC4888	658	MUC6055	641	MUC6490	928
MUC3771	862	MUC4073	802	MUC4499	762	MUC4891	659	MUC6056	637	MUC6491	928
MUC3771	864	MUC4073	804	MUC4524	902	MUC4892	659	MUC6056	641	MUC6496	934
MUC3791	861	MUC4083	1013	MUC4525	921	MUC4895	660	MUC6074	929	MUC6496	935
MUC3792	861	MUC4108	1012	MUC4538	901	MUC5376	762	MUC6075	929	MUC6497	934
MUC3794	861	MUC4109	1012	MUC4542	862	MUC5456	993	MUC6112	769	MUC6498	934
MUC3795	861	MUC4149	955	MUC4542	864	MUC5525	766	MUC6157	790	MUC6499	934
MUC3798	798	MUC4150	955	MUC4544	799	MUC5743	993	MUC6157	794	MUC6519	824
MUC3809	869	MUC4152	955	MUC4545	799	MUC6001	660	MUC6159	790	MUC6519	831
MUC3810	857	MUC4153	955	MUC4546	892	MUC6011	660	MUC6159	793	MUC6651	933
MUC3844	933	MUC4161	1070	MUC4801	915	MUC6012	660	MUC6163	789	MUC6652	934
MUC3845	933	MUC4199	932	MUC4804	773	MUC6013	660	MUC6164	789	MUC6653	934
MUC3882	869	MUC4208	776	MUC4806	773	MUC6021	659	MUC6166	758	MUC6658	773
MUC3883	869	MUC4275	1043	MUC4860	637	MUC6037	637	MUC6167	758	MUC6659	773
MUC3906	786	MUC4289	787	MUC4860	641	MUC6037	641	MUC6400	868	MUC6667LDE	950
MUC3932	831	MUC4290	787	MUC4865	492	MUC6038	637	MUC6400	870	MUC6667RD	950
MUC3933	729	MUC4291	1043	MUC4865	648	MUC6038	641	MUC6400	923	MUC6681	916
MUC3958	828	MUC4299	752	MUC4866	492	MUC6040	637	MUC6418	891	MUC6682	916





## DEFENDER 110 1987 onwards

1111

## NUMERICAL INDEX

PART NO	PAGE	PART NO	PAGE	PART NO	PAGE	PART NO	PAGE	PART NO	PAGE	PART NO	PAGE
MUC6905	751	MUC8409RD	967	MUC8731	833	MUC9154	843	MWC1055PMA	1023	MWC1497	993
MUC6932	884	MUC8409RD	970	MUC8736	816	MUC9155	819	MWC1058	1065	MWC1602	792
MUC7000	450	MUC8411RD	973	MUC8737	816	MUC9155	833	MWC1059	1065	MWC1603	792
MUC7505	476	MUC8412	973	MUC8738	816	MUC9155	843	MWC1062	1065	MWC1608	993
MUC7506	478	MUC8414	967	MUC8739	816	MUC9158	824	MWC1063	1065	MWC1609	993
MUC7513	681	MUC8414	970	MUC8740	816	MUC9158	832	MWC1080	791	MWC1614	993
MUC7514	682	MUC8428RD	967	MUC8741	816	MUC9167	924	MWC1081	791	MWC1615	993
MUC7598	722	MUC8429RD	967	MUC8746	816	MUC9167	925	MWC1082	795	MWC1622	809
MUC7599	722	MUC8430RD	970	MUC8748	834	MUC9168	925	MWC1083	795	MWC1622	812
MUC7636	968	MUC8431RD	970	MUC8754	963	MUC9169	926	MWC1086	765	MWC1623	987
MUC7809	809	MUC8432RD	973	MUC8754	968	MUC9204	870	MWC1087	765	MWC1624	929
MUC7809	812	MUC8438	970	MUC8754	970	MUC9205	870	MWC1092AG	893	MWC1625	929
MUC7904	786	MUC8439	970	MUC8754	976	MUC9339	778	MWC1092AG	895	MWC1627	805
MUC7907	787	MUC8447	965	MUC8755	824	MUC9347	927	MWC1092AG	897	MWC1628	929
MUC7911	787	MUC8447	973	MUC8756	824	MUC9419	1016	MWC1141	988	MWC1629	929
MUC7912	787	MUC8448RD	963	MUC8759	835	MUC9704	784	MWC1474	918	MWC1632	993
MUC7915AE	897	MUC8448RD	967	MUC8779RD	966	MUC9864	987	MWC1474	919	MWC1633	993
MUC7915AG	897	MUC8448RD	970	MUC8779RD	973	MUC9874	987	MWC1476	807	MWC1705RD	985
MUC7916AE	897	MUC8449RD	963	MUC8780RD	964	MUC9875	987	MWC1477	807	MWC1706PB	985
MUC7916AG	897	MUC8449RD	967	MUC8780RD	968	MUC9971RD	985	MWC1480	808	MWC1707RD	982
MUC7923	906	MUC8449RD	970	MUC8780RD	971	MUC9972PB	985	MWC1481	808	MWC1708PB	982
MUC7947	968	MUC8450RD	973	MUC8928	827	MUC9974RD	982	MWC1484	808	MWC1722	676
MUC7947	969	MUC8526	809	MUC8949	830	MUC9975PB	982	MWC1485	811	MWC1736	809
MUC7947	971	MUC8526	812	MUC8949	837	MUC9999	993	MWC1486	808	MWC1737	809
MUC7947	972	MUC8707	817	MUC9110	768	MWC1010	964	MWC1487	808	MWC1743	920
MUC7947	974	MUC8716	834	MUC9110	793	MWC1010	969	MWC1488	810	MWC1743LCS	920
MUC7947	977	MUC8716	843	MUC9136	828	MWC1010	972	MWC1489	810	MWC1744	920
MUC7947	979	MUC8717	834	MUC9142	828	MWC1018RD	964	MWC1492	811	MWC1744LCS	920
MUC8364	811	MUC8717	843	MUC9154	819	MWC1018RD	969	MWC1493	811	MWC1812	809
MUC8365	811	MUC8730	833	MUC9154	833	MWC1018RD	972	MWC1496	993	MWC1813	809







## DEFENDER 110 1987 onwards

1112

## NUMERICAL INDEX

PART NO	PAGE	PART NO	PAGE	PART NO	PAGE	PART NO	PAGE	PART NO	PAGE	PART NO	PAGE
MWC1820	824	MWC2243HA	884	MWC2896	928	MWC3302	967	MWC4535	968	MWC4731	863
MWC1821	824	MWC2243LB	884	MWC2926	769	MWC3303	963	MWC4535	971	MWC4734	863
MWC1826	566	MWC2244HA	884	MWC2938	824	MWC3303	967	MWC4536	967	MWC4735	863
MWC1827	566	MWC2244LB	884	MWC2938	834	MWC3305	970	MWC4536	977	MWC4736	863
MWC1837	794	MWC2245HA	884	MWC3103RD	983	MWC3306	967	MWC4537	964	MWC4737	863
MWC1838	794	MWC2245LB	884	MWC3104RD	986	MWC3307	967	MWC4548	973	MWC4762	825
MWC1898	789	MWC2246HA	884	MWC3105PB	983	MWC3312	813	MWC4549	966	MWC4763	802
MWC1898	793	MWC2246LB	884	MWC3106PB	986	MWC3316	833	MWC4549	973	MWC4764	804
MWC1899	789	MWC2309	751	MWC3107RD	982	MWC3316	842	MWC4662	842	MWC4771	857
MWC1899	793	MWC2314	922	MWC3108PB	982	MWC3317	833	MWC4663	842	MWC4771	868
MWC1950	808	MWC2314	928	MWC3109RD	985	MWC3317	842	MWC4710	825	MWC4772	857
MWC1950	811	MWC2314	934	MWC3110PB	985	MWC3317	928	MWC4711	825	MWC4772	864
MWC2120	833	MWC2314	936	MWC3111RD	981	MWC3320	824	MWC4712	796	MWC4773	825
MWC2121	833	MWC2315AV	950	MWC3112PB	981	MWC3321	824	MWC4713	796	MWC4822	1000
MWC2129	824	MWC2315LDE	950	MWC3113RD	984	MWC3336	795	MWC4714	868	MWC4846	807
MWC2129	831	MWC2501	566	MWC3114PB	984	MWC3337	795	MWC4715	857	MWC4847	807
MWC2145	1038	MWC2522	983	MWC3136	513	MWC3339	774	MWC4715	864	MWC4850	807
MWC2146	1038	MWC2522	986	MWC3136	918	MWC4370	803	MWC4716	864	MWC4850	810
MWC2237HA	884	MWC2526	727	MWC3136	919	MWC4371	803	MWC4717	857	MWC4854	492
MWC2237LB	884	MWC2530	727	MWC3137	918	MWC4380	980	MWC4720	802	MWC4860	658
MWC2238HA	884	MWC2532	993	MWC3137	919	MWC4393	1035	MWC4721	802	MWC4950	973
MWC2238LB	884	MWC2533	993	MWC3137	932	MWC4398	1035	MWC4722	804	MWC5001	810
MWC2239HA	884	MWC2567	751	MWC3138	993	MWC4399	1035	MWC4723	804	MWC5002	810
MWC2239LB	884	MWC2576RD	998	MWC3139	993	MWC4412	792	MWC4724	804	MWC5018	789
MWC2240HA	884	MWC2580RD	1005	MWC3148	809	MWC4413	792	MWC4725	804	MWC5019	789
MWC2240LB	884	MWC2780	918	MWC3148	812	MWC4534	964	MWC4726	825	MWC5054	1034
MWC2241HA	884	MWC2781	918	MWC3293	788	MWC4534	968	MWC4726	858	MWC5055	1034
MWC2241LB	884	MWC2782	919	MWC3294	792	MWC4534	971	MWC4728	863	MWC5201	872
MWC2242HA	884	MWC2783	919	MWC3301	970	MWC4535	963	MWC4729	863	MWC5202	872
MWC2242LB	884	MWC2891	993	MWC3302	963	MWC4535	964	MWC4730	863	MWC5217	867





## DEFENDER 110 1987 onwards

1113

## NUMERICAL INDEX

PART NO	PAGE	PART NO	PAGE	PART NO	PAGE	PART NO	PAGE	PART NO	PAGE	PART NO	PAGE
MWC5417	993	MWC5555RCF	984	MWC5675LCS	976	MWC5764	922	MWC7620	825	MWC8210	940
MWC5455	993	MWC5556LCS	984	MWC5676RCF	975	MWC5798	923	MWC7620	858	MWC8211	940
MWC5463LCS	1001	MWC5558RCF	985	MWC5677RCF	975	MWC5799	923	MWC7625	825	MWC8212	940
MWC5464RCF	1001	MWC5559LCS	985	MWC5679RCF	975	MWC6055	870	MWC7625	858	MWC8213	940
MWC5464RUY	1001	MWC5561RCF	985	MWC5680RCF	978	MWC6106PCB	977	MWC7635	968	MWC8214	940
MWC5465LCS	1000	MWC5562LCS	985	MWC5681RCF	978	MWC6128	795	MWC7635	971	MWC8215	941
MWC5466RCF	1000	MWC5568RCF	985	MWC5682RCF	978	MWC6129	795	MWC7635	976	MWC8216	941
MWC5466RUY	1000	MWC5569LCS	985	MWC5683RCF	979	MWC6130	791	MWC7636	971	MWC8217	941
MWC5491LCS	1008	MWC5573LCS	959	MWC5684RCF	979	MWC6143	836	MWC7636	976	MWC8218	941
MWC5492RCF	1008	MWC5592RCF	986	MWC5685LCS	978	MWC6145	836	MWC7641	826	MWC8219	941
MWC5492RUY	1008	MWC5593LCS	986	MWC5686LCS	978	MWC6203	922	MWC7648	825	MWC8223	788
MWC5493LCS	1007	MWC5599LCS	958	MWC5687LCS	978	MWC6204	923	MWC7648	858	MWC8256LUJ	885
MWC5494RCF	1007	MWC5607LCS	958	MWC5688LCS	979	MWC6253	926	MWC7652	825	MWC8256LUJ	886
MWC5494RUY	1007	MWC5613LCS	959	MWC5689LCS	979	MWC6254	926	MWC7652	858	MWC8256LVA	889
MWC5507RCF	991	MWC5626RCF	977	MWC5708LUH	934	MWC6291	794	MWC7657LDE	946	MWC8256MUB	885
MWC5507RUY	1013	MWC5626RUY	977	MWC5708LUH	936	MWC6450	794	MWC7658LDE	946	MWC8256MUB	886
MWC5507RUY	991	MWC5628LCS	977	MWC5710LUH	934	MWC6450	800	MWC7659LDE	946	MWC8257LUJ	885
MWC5508RUY	1011	MWC5630RCF	975	MWC5710LUH	936	MWC6698	867	MWC7660LDE	946	MWC8257LUJ	886
MWC5525LCS	990	MWC5632RCF	976	MWC5711LUH	934	MWC6699	867	MWC7661LDE	947	MWC8257MUB	885
MWC5530LCS	991	MWC5648RCF	976	MWC5711LUH	936	MWC6908	867	MWC7662LDE	947	MWC8257MUB	886
MWC5533RCF	981	MWC5648RUY	976	MWC5712LUH	934	MWC6924	1009	MWC7663LDE	947	MWC8270	788
MWC5534LCS	981	MWC5649RCF	976	MWC5712LUH	936	MWC6925	1009	MWC7665	828	MWC8271	788
MWC5536RCF	982	MWC5649RUY	976	MWC5713LUH	934	MWC7188RUM	885	MWC8201	940	MWC8276	1035
MWC5537LCS	982	MWC5661	1002	MWC5713LUH	936	MWC7189RUM	885	MWC8202	940	MWC8277	1035
MWC5539RCF	982	MWC5667LCS	975	MWC5737LUH	937	MWC7190RUM	885	MWC8203	940	MWC8464CUF	780
MWC5540LCS	982	MWC5668LCS	976	MWC5741	794	MWC7191RUM	885	MWC8205	940	MWC8464HCC	780
MWC5546RCF	982	MWC5669LCS	976	MWC5742	794	MWC7612	863	MWC8206	940	MWC8464HCN	780
MWC5547LCS	982	MWC5670LCS	976	MWC5759	790	MWC7614	863	MWC8207	940	MWC8464HUJ	780
MWC5549RCF	983	MWC5671LCS	977	MWC5759	800	MWC7615	863	MWC8208	940	MWC8464JUG	780
MWC5550LCS	983	MWC5674LCS	975	MWC5763LNP	922	MWC7617	863	MWC8209	940	MWC8464LCN	780





## DEFENDER 110 1987 onwards

1114

## NUMERICAL INDEX

PART NO	PAGE	PART NO	PAGE	PART NO	PAGE	PART NO	PAGE	PART NO	PAGE	PART NO	PAGE
MWC8464LUS	780	MWC8567	781	MWC9340	823	MWC9842RUY	975	MXC1861LCS	919	MXC2651LCS	979
MWC8464NCM	780	MWC8590RUM	885	MWC9361	775	MWC9843LCS	976	MXC1874RUP	886	MXC2652LCS	978
MWC8464NUC	780	MWC8591RUM	885	MWC9369LDE	948	MWC9844LCS	976	MXC1875RUP	886	MXC2728	810
MWC8464SUB	780	MWC8615	1019	MWC9370LDE	948	MWC9917	918	MXC1989LCS	920	MXC2729	810
MWC8465CUF	780	MWC8666	1011	MWC9371LDE	948	MWC9918LCS	918	MXC1992LCS	920	MXC2744	996
MWC8465HCC	780	MWC8667	1011	MWC9376	949	MXC1130PMA	923	MXC2031	860	MXC2745	996
MWC8465HCN	780	MWC8901LNP	922	MWC9380	774	MXC1394LUH	937	MXC2033	856	MXC2751	996
MWC8465HUJ	780	MWC8910LNP	923	MWC9418	855	MXC1436	793	MXC2044	800	MXC2780RCF	989
MWC8465JUG	780	MWC8911LNP	923	MWC9419	855	MXC1624	878	MXC2047	800	MXC2780RUY	990
MWC8465JUH	780	MWC8914LNP	932	MWC9420	855	MXC1645LUH	932	MXC2337LDE	948	MXC2932	777
MWC8465LCN	780	MWC8915LNP	932	MWC9421	855	MXC1684	781	MXC2338LDE	948	MXC2932	778
MWC8465LUS	780	MWC8942RCF	976	MWC9482	923	MXC1790	800	MXC2339LDE	948	MXC2948LDE	924
MWC8465NCM	780	MWC8942RUY	976	MWC9484LUH	931	MXC1800	918	MXC2340LDE	948	MXC2949LDE	924
MWC8465NUC	780	MWC8943LCS	976	MWC9485LUH	932	MXC1800	919	MXC2341	679	MXC3167RUY	985
MWC8465SUB	780	MWC8944RCF	975	MWC9486LUH	932	MXC1804PMA	942	MXC2342	679	MXC3168LCS	985
MWC8466CUF	770	MWC8945RCF	975	MWC9490LUH	931	MXC1805PMA	942	MXC2343LUH	931	MXC3169RUY	982
MWC8466HCC	770	MWC8946LCS	975	MWC9500	872	MXC1806PMA	942	MXC2344LUH	931	MXC3170LCS	982
MWC8466HCN	770	MWC8947LCS	975	MWC9500	873	MXC1813LCS	996	MXC2345LUH	933	MXC3188	629
MWC8466HUJ	770	MWC8966	860	MWC9601	678	MXC1814LCS	996	MXC2347LUH	931	MXC3188	666
MWC8466JUG	770	MWC8967	860	MWC9601	679	MXC1826RUY	983	MXC2348LUH	934	MXC3189	629
MWC8466JUH	770	MWC9301	714	MWC9604	935	MXC1827RUY	982	MXC2348LUH	935	MXC3189	666
MWC8466LCN	770	MWC9303	714	MWC9606	673	MXC1828RUY	986	MXC2537	1021	MXC3254RUY	975
MWC8466LUS	770	MWC9304	714	MWC9823LNP	922	MXC1829RUY	985	MXC2640RUY	979	MXC3255RUY	975
MWC8466NCM	770	MWC9306	714	MWC9832LUH	932	MXC1830LCS	983	MXC2641RUY	978	MXC3256LCS	975
MWC8466NUC	770	MWC9313	1038	MWC9832LUH	933	MXC1831LCS	982	MXC2645LCS	978	MXC3257LCS	975
MWC8466PUC	770	MWC9313	1041	MWC9832LUH	934	MXC1832LCS	986	MXC2646RUY	978	MXC3258	957
MWC8466SUB	770	MWC9322	723	MWC9832LUH	936	MXC1833LCS	985	MXC2647LCS	979	MXC3259	957
MWC8547	1007	MWC9327PMA	911	MWC9841RCF	975	MXC1858LCS	918	MXC2648LCS	978	MXC3277	923
MWC8548	1004	MWC9338PMA	911	MWC9841RUY	976	MXC1859LCS	918	MXC2649RUY	979	MXC3278	923
MWC8548	1007	MWC9339PMA	911	MWC9842RCF	975	MXC1860LCS	919	MXC2650RUY	978	MXC3279	923





## DEFENDER 110 1987 onwards

1115

## NUMERICAL INDEX

PART NO	PAGE	PART NO	PAGE	PART NO	PAGE	PART NO	PAGE	PART NO	PAGE	PART NO	PAGE
MXC3282	1034	MXC5480	1044	MXC5821LCS	984	MXC6407	1071	MXC8224	808	MXC9587	794
MXC3283	1034	MXC5480	1046	MXC5822RUY	981	MXC6411	1073	MXC8225	808	MXC9689	809
MXC3319LNP	922	MXC5488	1019	MXC5823LCS	981	MXC6538	924	MXC8282	789	MXC9689	812
MXC3357	660	MXC5488	1023	MXC5829	802	MXC6538	925	MXC8282	793	MXC9982	786
MXC3358	660	MXC5489	1019	MXC5830	805	MXC6539	924	MXC8283	789	MXC9982	787
MXC3418	660	MXC5489	1023	MXC5832	802	MXC6540	925	MXC8283	793	MXC9983	786
MXC3676	860	MXC5491	1018	MXC5833	804	MXC6541	925	MXC8284	789	MXC9983	787
MXC3677	860	MXC5492	1016	MXC5834	804	MXC6541	926	MXC8285	789	NAD10038	298
MXC3680	856	MXC5492	1018	MXC5835	805	MXC6542	926	MXC8551	758	NAD10040	65
MXC3681	856	MXC5493	1016	MXC5836	802	MXC6543	925	MXC8552	758	NC112041	437
MXC3684	856	MXC5493	1018	MXC5837	804	MXC6550	926	MXC8554	758	NC112041	443
MXC3684	860	MXC5495	1025	MXC5856LUH	931	MXC6551	926	MXC8555	758	NC112041	462
MXC3685	856	MXC5497	1024	MXC5857LUH	933	MXC7226	892	MXC8556	759	NC112041	463
MXC3685	860	MXC5509	1018	MXC5968	842	MXC7227	892	MXC8573	752	NH104041L	225
MXC4630	782	MXC5509	1019	MXC5969	842	MXC7228	892	MXC8574	752	NH104041L	38
MXC4631	782	MXC5521	1023	MXC5973	833	MXC7335	1072	MXC8575	753	NH104041L	469
MXC4738PMA	918	MXC5549	800	MXC5974	833	MXC7354	774	MXC8934	834	NH104041L	533
MXC4738PMA	919	MXC5575	800	MXC6084PMA	911	MXC7373	762	MXC8934	843	NH104041L	708
MXC5010	872	MXC5746	759	MXC6142PMA	953	MXC7570	788	MXC8935	834	NH104041L	725
MXC5011	872	MXC5778	964	MXC6312	761	MXC7571	788	MXC8935	843	NH104041L	753
MXC5015RUP	886	MXC5778	967	MXC6315	760	MXC7651	807	MXC9012	750	NH104041L	776
MXC5088PMA	942	MXC5778	976	MXC6321	1040	MXC7652	807	MXC9013	750	NH104041L	805
MXC5089PMA	942	MXC5779	964	MXC6338	760	MXC7732	773	MXC9015	750	NH104041L	807
MXC5090PMA	942	MXC5779	967	MXC6338	762	MXC7846	786	MXC9116	760	NH104041L	810
MXC5194	792	MXC5779	976	MXC6397	881	MXC7847	786	MXC9117	761	NH104041L	835
MXC5195	792	MXC5812RUY	985	MXC6398	881	MXC7887	1072	MXC9343	777	NH104044	911
MXC5477	1044	MXC5813LCS	985	MXC6401	881	MXC7958	788	MXC9400	777	NH105041	1058
MXC5477	1046	MXC5814RUY	982	MXC6402	881	MXC7959	788	MXC9402	777	NH105041	1060
MXC5479	1044	MXC5815LCS	982	MXC6402	882	MXC8222	808	MXC9455	814	NH105041	449
MXC5479	1046	MXC5820RUY	984	MXC6405	1071	MXC8223	808	MXC9586	794	NH105041	517





## DEFENDER 110 1987 onwards

1116

## NUMERICAL INDEX

PART NO	PAGE	PART NO	PAGE	PART NO	PAGE	PART NO	PAGE	PART NO	PAGE	PART NO	PAGE
NH105041	599	NH106041	622	NH106041L	506	NH106041L	730	NH106041L	841	NH108041L	109
NH105041	675	NH106041I	530	NH106041L	507	NH106041L	732	NH106041L	842	NH108041L	149
NH105041	728	NH106041L	1002	NH106041L	529	NH106041L	746	NH106041L	851	NH108041L	150
NH105041	740	NH106041L	1009	NH106041L	544	NH106041L	755	NH106041L	859	NH108041L	151
NH105041	801	NH106041L	1012	NH106041L	550	NH106041L	756	NH106041L	865	NH108041L	158
NH105041	960	NH106041L	1016	NH106041L	559	NH106041L	759	NH106041L	869	NH108041L	203
NH105041	961	NH106041L	1027	NH106041L	560	NH106041L	760	NH106041L	871	NH108041L	27
NH105041	962	NH106041L	1028	NH106041L	561	NH106041L	762	NH106041L	892	NH108041L	283
NH105041L	1001	NH106041L	1032	NH106041L	562	NH106041L	763	NH106041L	904	NH108041L	29
NH105041L	101	NH106041L	1034	NH106041L	563	NH106041L	764	NH106041L	907	NH108041L	292
NH105041L	149	NH106041L	1039	NH106041L	568	NH106041L	765	NH106041L	939	NH108041L	294
NH105041L	152	NH106041L	1059	NH106041L	575	NH106041L	766	NH106041L	957	NH108041L	295
NH105041L	196	NH106041L	1060	NH106041L	588	NH106041L	767	NH106041L	966	NH108041L	296
NH105041L	334	NH106041L	1064	NH106041L	591	NH106041L	772	NH106041L	989	NH108041L	31
NH105041L	486	NH106041L	1065	NH106041L	609	NH106041L	774	NH106041L	994	NH108041L	325
NH105041L	51	NH106041L	1073	NH106041L	611	NH106041L	775	NH106041L	999	NH108041L	375
NH105041L	544	NH106041L	1074	NH106041L	612	NH106041L	779	NH106044	1000	NH108041L	44
NH105041L	545	NH106041L	252	NH106041L	620	NH106041L	783	NH106044	1005	NH108041L	45
NH105041L	604	NH106041L	289	NH106041L	621	NH106041L	794	NH106044	1008	NH108041L	56
NH105041L	676	NH106041L	323	NH106041L	624	NH106041L	800	NH106044	995	NH108041L	73
NH105041L	693	NH106041L	344	NH106041L	631	NH106041L	803	NH106044	996	NH108041L	78
NH105041L	694	NH106041L	348	NH106041L	632	NH106041L	809	NH106044	997	NH108041L	99
NH105041L	702	NH106041L	444	NH106041L	649	NH106041L	813	NH106044	998	NH108044	775
NH105041L	714	NH106041L	468	NH106041L	652	NH106041L	816	NH106045	508	NH108065L	147
NH105041L	715	NH106041L	473	NH106041L	654	NH106041L	823	NH106047	289	NH108065L	196
NH105041L	717	NH106041L	493	NH106041L	655	NH106041L	827	NH106047	620	NH110041	511
NH105041L	726	NH106041L	501	NH106041L	682	NH106041L	830	NH106047L	562	NH110041L	1056
NH105041L	891	NH106041L	502	NH106041L	689	NH106041L	833	NH106047L	563	NH110041L	1061
NH105041L	911	NH106041L	504	NH106041L	690	NH106041L	835	NH106047L	569	NH110041L	116
NH105041L	999	NH106041L	505	NH106041L	707	NH106041L	839	NH108041L	102	NH110041L	118





## DEFENDER 110 1987 onwards

1117

## NUMERICAL INDEX

PART NO	PAGE	PART NO	PAGE	PART NO	PAGE	PART NO	PAGE	PART NO	PAGE	PART NO	PAGE
NH110041L	131	NH604041L	49	NM105011	856	NN108021	624	NRC2864	270	NRC4772	488
NH110041L	163	NH604041L	556	NM105011	860	NN108021	719	NRC3301	252	NRC4775	488
NH110041L	177	NH604041L	558	NM105011	904	NN108021	721	NRC3314	256	NRC4776	576
NH110041L	256	NH605041L	583	NN105011	574	NN108021	750	NRC3406	603	NRC4776	577
NH110041L	28	NH605041L	1027	NN105021L	1069	NN108021	775	NRC3662	603	NRC4776	578
NH110041L	305	NH605041L	1034	NN105021L	914	NN108021	879	NRC3908	711	NRC4837	606
NH110041L	306	NH605041L	253	NN106011	1074	NRC1302	256	NRC3923	440	NRC4839	598
NH110041L	325	NH605041L	257	NN106011	444	NRC1360	620	NRC3977	603	NRC4842	606
NH110041L	349	NH605041L	276	NN106011	468	NRC2015	575	NRC4162	616	NRC4843	606
NH110041L	382	NH605041L	292	NN106011	613	NRC2051	1057	NRC4171	746	NRC4844	606
NH110041L	441	NH605041L	436	NN106011	614	NRC2087	575	NRC4219	583	NRC4853	748
NH110041L	448	NH605041L	473	NN106011	616	NRC2089	565	NRC4251	493	NRC4854	748
NH110041L	488	NH605041L	509	NN106011	618	NRC2089	575	NRC4251	502	NRC4966	746
NH110041L	520	NH605041L	765	NN106011L	560	NRC2159	573	NRC4251	504	NRC5104	515
NH110041L	65	NH605041L	789	NN106011L	562	NRC2159	574	NRC4251	505	NRC5220	473
NH110041L	66	NH605041L	793	NN106021	1073	NRC2159	579	NRC4251	506	NRC5281	446
NH110041L	745	NH606041L	359	NN106021	470	NRC2195	574	NRC4317	442	NRC5294	619
NH110041L	79	NH606045L	283	NN106021	471	NRC2211	480	NRC4318	442	NRC5295	619
NH110041LD	359	NH608061L	141	NN106021	545	NRC2214	574	NRC4365	436	NRC5338	681
NH112041L	101	NH608061L	92	NN106021	730	NRC2383	464	NRC4475	473	NRC5346	425
NH112041L	1055	NH614041	454	NN106021	732	NRC2383	609	NRC4514	434	NRC5387	681
NH112041L	1057	NH910011L	281	NN106021	775	NRC2383	728	NRC4515	434	NRC5396	749
NH112041L	149	NH910241L	281	NN106021	779	NRC2536	573	NRC4516	435	NRC5403	581
NH112041L	750	NJ108061L	769	NN106021	783	NRC2536	574	NRC4661	746	NRC5403	583
NH112041L	892	NK106081	447	NN106021	850	NRC255	1061	NRC4665	478	NRC5403	585
NH116041L	749	NK106081	759	NN106021	916	NRC2652	573	NRC4693	746	NRC5403	589
NH604041L	1012	NK106081	765	NN106021	917	NRC2652	574	NRC4733	747	NRC5403	590
NH604041L	295	NM105011	840	NN106021	937	NRC2652	579	NRC4757	520	NRC5414	525
NH604041L	476	NM105011	697	NN108021	450	NRC2744	511	NRC4765	522	NRC5415	529
NH604041L	477	NM105011	832	NN108021	546	NRC2744	514	NRC4765	524	NRC5415	539





## DEFENDER 110 1987 onwards

1118

## NUMERICAL INDEX

PART NO	PAGE	PART NO	PAGE	PART NO	PAGE	PART NO	PAGE	PART NO	PAGE	PART NO	PAGE
NRC5415	542	NRC5823	616	NRC6320	444	NRC6526	522	NRC7066	444	NRC7436	744
NRC5415	576	NRC5824	616	NRC6324	1052	NRC6558	524	NRC7124	515	NRC7439	747
NRC5415	577	NRC5844	576	NRC6339	544	NRC6561	444	NRC7127	448	NRC7441	329
NRC5415	578	NRC5844	577	NRC6352	632	NRC6636	1052	NRC7131	744	NRC7441	480
NRC5434	131	NRC5886	747	NRC6353	632	NRC6653	512	NRC7133	620	NRC7448	605
NRC5434	177	NRC5985	608	NRC6353	655	NRC6658	443	NRC7139	480	NRC7455	1042
NRC5434	28	NRC6058	478	NRC6372	436	NRC6692	619	NRC7154	568	NRC7457	568
NRC5434	79	NRC6097	520	NRC6374	581	NRC6747	446	NRC7164	744	NRC7457	569
NRC5478	746	NRC62	520	NRC6374	583	NRC6747	447	NRC7165	744	NRC7458	611
NRC5485	745	NRC62	522	NRC6374	589	NRC6795	511	NRC7227	604	NRC7459	611
NRC5494	474	NRC62	524	NRC6388	442	NRC6795	514	NRC7230	544	NRC7459	612
NRC5502	475	NRC6221	443	NRC6389	442	NRC6799	482	NRC7232	545	NRC7571	747
NRC5503	606	NRC6235	441	NRC6417	631	NRC6836	525	NRC7235	544	NRC7578PM	433
NRC5544	597	NRC6254	568	NRC6417	649	NRC6902	632	NRC7238	544	NRC7608	585
NRC5544	599	NRC6302	468	NRC6418	631	NRC6902	654	NRC7240	545	NRC7608	590
NRC5593	441	NRC6302	470	NRC6418	649	NRC6903	654	NRC7249	544	NRC7609	585
NRC5602	441	NRC6302	471	NRC6419	631	NRC6904	442	NRC7249	545	NRC7609	590
NRC5603	441	NRC6306	630	NRC6419	632	NRC6919	568	NRC7303	539	NRC7635	447
NRC5606	749	NRC6306	649	NRC6419	649	NRC6919	569	NRC7310	538	NRC7636	446
NRC5607	749	NRC6306	652	NRC6419	654	NRC6920	568	NRC7310	542	NRC7648	516
NRC5623	549	NRC6307	630	NRC6420	630	NRC6920	569	NRC7311	544	NRC7661	439
NRC5627	747	NRC6307	649	NRC6420	649	NRC6935	745	NRC7318	541	NRC7704	448
NRC5665	746	NRC6308	630	NRC6421	630	NRC6951	746	NRC7319	541	NRC7741	610
NRC5674	443	NRC6308	654	NRC6422	630	NRC6993	1043	NRC7351	538	NRC7758	1052
NRC5707	444	NRC6309	630	NRC6430	604	NRC6994	747	NRC7351	542	NRC7768	745
NRC5742	325	NRC6311	632	NRC6432	583	NRC7000	442	NRC7372	549	NRC7778	581
NRC5743	325	NRC6312	632	NRC6466	581	NRC7009	747	NRC7387	448	NRC7799	494
NRC5758	444	NRC6313	632	NRC6467	581	NRC7044	515	NRC7422	711	NRC7799	495
NRC5804	749	NRC6314	632	NRC6481	1042	NRC7050	444	NRC7425	749	NRC7799	496
NRC5818	577	NRC6314	654	NRC6515	493	NRC7053	746	NRC7435	744	NRC7799	497





## DEFENDER 110 1987 onwards

1119

## NUMERICAL INDEX

PART NO	PAGE	PART NO	PAGE	PART NO	PAGE	PART NO	PAGE	PART NO	PAGE	PART NO	PAGE
NRC7799	498	NRC8024	425	NRC8247	652	NRC8509	613	NRC9098	655	NRC9472	573
NRC7801	493	NRC8044	436	NRC8248	652	NRC8510	613	NRC9107	568	NRC9472	579
NRC7827	473	NRC8045	436	NRC8323	1055	NRC8518	444	NRC9115	511	NRC9474	522
NRC7835	449	NRC8048	1059	NRC8323	1056	NRC8560	482	NRC9121	473	NRC9492	468
NRC7836	449	NRC8048	1060	NRC8323	1057	NRC8588	451	NRC9138	524	NRC9501	359
NRC7869	476	NRC8059	515	NRC8329	479	NRC8589	451	NRC9169	478	NRC9507	576
NRC7869	478	NRC8087	539	NRC8330	479	NRC8593	491	NRC9211	747	NRC9508	573
NRC7871	493	NRC8103	540	NRC8332	188	NRC8609	598	NRC9233	478	NRC9543	523
NRC7874	493	NRC8104	537	NRC8332	481	NRC8618	139	NRC9238	550	NRC9543	525
NRC7874	495	NRC8104	542	NRC8332	634	NRC8618	183	NRC9238	559	NRC9557	131
NRC7874	496	NRC8108	541	NRC8332	635	NRC8618	36	NRC9238	561	NRC9557	177
NRC7874	497	NRC8198	616	NRC8333	481	NRC8618	613	NRC9239	550	NRC9557	28
NRC7874	498	NRC8199	616	NRC8346	649	NRC8618	614	NRC9239	559	NRC9557	79
NRC7874	499	NRC8201	610	NRC8346	652	NRC8618	90	NRC9239	563	NRC9560	131
NRC7874	500	NRC8204	325	NRC8346	653	NRC8620	655	NRC9239	564	NRC9560	325
NRC7880	545	NRC8208	1050	NRC8346	654	NRC8629	491	NRC9246	429	NRC9560	79
NRC7893	537	NRC8208	1052	NRC8346	655	NRC8690	488	NRC9246	430	NRC9561	325
NRC7901	493	NRC8210	1050	NRC8347	652	NRC8707	632	NRC9246	431	NRC9562	523
NRC7902	493	NRC8211	1050	NRC8349	491	NRC8721	493	NRC9284	482	NRC9575	494
NRC7903	493	NRC8213	503	NRC8349	492	NRC8734	482	NRC9285	482	NRC9575	495
NRC7904	493	NRC8214	503	NRC8352	491	NRC8897	504	NRC9302	468	NRC9575	496
NRC7905	502	NRC8215	503	NRC8352	492	NRC8955	550	NRC9338	489	NRC9575	497
NRC7905	504	NRC8215	504	NRC8375	444	NRC8955	559	NRC9338	490	NRC9575	498
NRC7905	505	NRC8215	506	NRC8404	468	NRC8955	563	NRC9448	436	NRC9595	480
NRC7906	502	NRC8229	1052	NRC8405	468	NRC8955	564	NRC9449	436	NRC9607	425
NRC7979	536	NRC8230	1052	NRC8405	471	NRC8962	559	NRC9456	502	NRC9668	666
NRC7981	441	NRC8231	462	NRC8408	468	NRC8984	568	NRC9456	504	NRC9669	666
NRC7984	511	NRC8232	462	NRC8462	540	NRC8987	559	NRC9456	505	NRC9678	525
NRC7984	514	NRC8238	585	NRC8507	613	NRC9035	503	NRC9456	506	NRC9700	436
NRC8007	444	NRC8245	652	NRC8508	613	NRC9091	655	NRC9461	517	NRC9710	608







## DEFENDER 110 1987 onwards

1120

## NUMERICAL INDEX

PART NO	PAGE	PART NO	PAGE	PART NO	PAGE	PART NO	PAGE	PART NO	PAGE	PART NO	PAGE
NRC9711	448	NRC9862	577	NTC1177	497	NTC1800K	585	NTC2224	530	NTC2706	439
NRC9713	407	NRC9863	577	NTC1177	498	NTC1888	437	NTC2225	531	NTC2707	439
NRC9713	409	NRC9865	578	NTC1177	501	NTC1888	443	NTC2225	532	NTC2723	464
NRC9722	584	NR604090L	274	NTC1201	325	NTC1963	745	NTC2227	531	NTC2726	583
NRC9724	584	NSS	233	NTC1201	359	NTC2017	520	NTC2229	526	NTC2731	585
NRC9726	605	NS106011	902	NTC1210	478	NTC2022	592	NTC2263	531	NTC2736	605
NRC9726	608	NS106011	903	NTC1212	654	NTC2022	593	NTC2263	532	NTC2736	608
NRC9728	435	NS106011	905	NTC1224	512	NTC2029	605	NTC2278	581	NTC2743	474
NRC9729	435	NS106011	907	NTC1224	514	NTC2069	528	NTC2278	589	NTC2757	526
NRC9731	493	NS106011	909	NTC1384	481	NTC2069	530	NTC2292	276	NTC2830	561
NRC9741	462	NTC1030	581	NTC1385	481	NTC2072	529	NTC2333	525	NTC2832	590
NRC9742	462	NTC1030	583	NTC1518	547	NTC2072	530	NTC2334	525	NTC2837	520
NRC9743	462	NTC1030	588	NTC1518	548	NTC2073	528	NTC2337	527	NTC2876	528
NRC9749	744	NTC1030	590	NTC1557	511	NTC2086	474	NTC2590	451	NTC2876	530
NRC9770	521	NTC1048	576	NTC1563	514	NTC2087	474	NTC2590E	451	NTC2876	531
NRC9770	528	NTC1048	578	NTC1582	455	NTC2089	522	NTC2591	451	NTC2876	532
NRC9770	531	NTC1088	655	NTC1582E	455	NTC2093	532	NTC2591E	451	NTC2876	533
NRC9770	532	NTC1089	655	NTC1583	455	NTC2096	533	NTC2595	465	NTC2914	526
NRC9770	539	NTC1090	655	NTC1583E	455	NTC2097	533	NTC2595	470	NTC2927	614
NRC9770	542	NTC1112	476	NTC1612	521	NTC2099	533	NTC2595	471	NTC2928	614
NRC9771	521	NTC1133K	583	NTC1643	515	NTC2110	524	NTC2597	466	NTC3066	465
NRC9771	528	NTC1136K	583	NTC1650	550	NTC2122	530	NTC2597	470	NTC3333	576
NRC9771	531	NTC1154	439	NTC1666	590	NTC2156	521	NTC2655	526	NTC3333	578
NRC9771	532	NTC1175	495	NTC1691	465	NTC2157	536	NTC2660	561	NTC3333	579
NRC9771	539	NTC1175	497	NTC1772	438	NTC2157	540	NTC2676	526	NTC3346	535
NRC9771	542	NTC1176	495	NTC1773	439	NTC2179	538	NTC2681	520	NTC3346	548
NRC9772	528	NTC1176	497	NTC1775	463	NTC2179	542	NTC2690	526	NTC3372	489
NRC9786	529	NTC1176	501	NTC1792	502	NTC2180	523	NTC2699	527	NTC3372	490
NRC9786	530	NTC1177	495	NTC1793K	581	NTC2223	528	NTC2701K	585	NTC3372	492
NRC9787	439	NTC1177	496	NTC1794K	581	NTC2224	528	NTC2705	434	NTC3391	525





## DEFENDER 110 1987 onwards

1121

## NUMERICAL INDEX

PART NO	PAGE	PART NO	PAGE	PART NO	PAGE	PART NO	PAGE	PART NO	PAGE	PART NO	PAGE
NTC3396	474	NTC3793	276	NTC4578	505	NTC5017	478	NTC5897	618	NTC7503	525
NTC3453	605	NTC3794	276	NTC4580	582	NTC5116	749	NTC5900	325	NTC7503	526
NTC3455	545	NTC3858	597	NTC4586	582	NTC5171	597	NTC5900	359	NTC7731	446
NTC3457	545	NTC3858	614	NTC4595	539	NTC5205	581	NTC6168	597	NTC7731	447
NTC3459	474	NTC3858	617	NTC4596	538	NTC5205	589	NTC6195	790	NTC7829	1042
NTC3460	474	NTC3862	571	NTC4596	542	NTC5278	846	NTC6660	563	NTC7843	743
NTC3480	515	NTC3863	571	NTC4597	541	NTC5279	846	NTC6730	467	NTC7844	743
NTC3483	482	NTC3866	528	NTC4599	539	NTC5351	524	NTC6731	466	NTC7855	711
NTC3484	482	NTC3867	528	NTC4604	536	NTC5401	747	NTC6750	531	NTC7933	478
NTC3489	538	NTC3891	572	NTC4604	540	NTC5582	592	NTC6750	532	NTC7937	1042
NTC3489	542	NTC3932	481	NTC4609	597	NTC5582	593	NTC6751	532	NTC7955	1042
NTC3491	536	NTC3933	481	NTC4611	560	NTC5624	617	NTC6752	532	NTC7956	1042
NTC3491	540	NTC3937	603	NTC4611	562	NTC5627	607	NTC6776	437	NTC7961	500
NTC3543	608	NTC4183	550	NTC4612	559	NTC5628	607	NTC6781	434	NTC7962	500
NTC3608	587	NTC4183	559	NTC4614	585	NTC5685	603	NTC6790	467	NTC7964	506
NTC3608	591	NTC4183	561	NTC4617	585	NTC5686	608	NTC6828	437	NTC7968	500
NTC3650	592	NTC4187	560	NTC4618	439	NTC5687	608	NTC6837	437	NTC7970	500
NTC3650	593	NTC4187	562	NTC4655	561	NTC5708	496	NTC6847	602	NTC8011	483
NTC3692	530	NTC4221	588	NTC4657	747	NTC5708	498	NTC6847	614	NTC8191	467
NTC3751	550	NTC4224	560	NTC4720	438	NTC5708	499	NTC6847	617	NTC8192	465
NTC3751	559	NTC4224	562	NTC4833	587	NTC5708	500	NTC6863	465	NTC8193	466
NTC3751	561	NTC4257	568	NTC4833	591	NTC5709	495	NTC6944	419	NTC8202	437
NTC3763	571	NTC4257	569	NTC4844	446	NTC5709	497	NTC7097	483	NTC8223	454
NTC3764	571	NTC4260	439	NTC4893	597	NTC5711	495	NTC7161	621	NTC8224	454
NTC3766	571	NTC4414	490	NTC4895	607	NTC5711	497	NTC7161	622	NTC8263	469
NTC3778	561	NTC4426	587	NTC4898	607	NTC5711	499	NTC7224	469	NTC8263	470
NTC3778	563	NTC4548	587	NTC4944	474	NTC5729	537	NTC7240	483	NTC8263	471
NTC3791	468	NTC4571	436	NTC4945	474	NTC5729	541	NTC7307	434	NTC8287	106
NTC3791	470	NTC4571	441	NTC5000	467	NTC5750	538	NTC7331	434	NTC8287	155
NTC3791	471	NTC4578	504	NTC5001	466	NTC5750	542	NTC7398	545	NTC8287	200





## DEFENDER 110 1987 onwards

1122

## NUMERICAL INDEX

PART NO	PAGE	PART NO	PAGE	PART NO	PAGE	PART NO	PAGE	PART NO	PAGE	PART NO	PAGE
NTC8287	53	NTC9070	155	NTC9932	439	NV110041L	593	NY106041L	818	NY108041L	504
NTC8328	438	NTC9070	200	NT108041L	142	NV114047	435	NY106041L	900	NY108041L	520
NTC8450	496	NTC9070	53	NT108041L	375	NV116041	437	NY106041L	901	NY108041L	522
NTC8450	498	NTC9071	470	NT108041L	39	NV116047	434	NY106041L	902	NY108041L	64
NTC8451	496	NTC9071	471	NT108041L	395	NV605041L	583	NY106041L	903	NY108041L	746
NTC8452	495	NTC9072	470	NT108041L	835	NV608041L	436	NY106041L	905	NY108041L	773
NTC8453	496	NTC9073	470	NT108041L	93	NV608041L	441	NY106041L	907	NY108041L	817
NTC8453	498	NTC9073	471	NT108041L	957	NY105041	375	NY106041L	909	NY108041L	82
NTC8453	499	NTC9074	471	NT110041L	1062	NY105041L	373	NY106041L	995	NY108041L	822
NTC8454	495	NTC9099	471	NT110041L	192	NY105041L	393	NY106041L	996	NY108041L	878
NTC8454	497	NTC9198	283	NT110041L	371	NY105041L	634	NY106041L	997	NY108041L	879
NTC8454	499	NTC9208	471	NT110041L	390	NY105041L	653	NY108041	601	NY108041L	891
NTC8455	504	NTC9224	325	NT110041L	633	NY106041	464	NY108041L	101	NY108041L	968
NTC8456	504	NTC9262	745	NT110041L	653	NY106041	602	NY108041L	115	NY108041L	970
NTC8543	505	NTC9359	474	NT110041L	677	NY106041L	1044	NY108041L	134	NY108041L	976
NTC8544	483	NTC9360	474	NT112041	417	NY106041L	1045	NY108041L	149	NY110041	438
NTC8553	482	NTC9366	743	NT112041L	415	NY106041L	1046	NY108041L	162	NY110041L	1050
NTC8554	482	NTC9415	218	NT112041L	475	NY106041L	234	NY108041L	206	NY110041L	1052
NTC8592	492	NTC9416	218	NT112041L	508	NY106041L	469	NY108041L	259	NY110041L	1053
NTC8847	446	NTC9461	435	NT604041L	479	NY106041L	503	NY108041L	371	NY110041L	324
NTC8848	446	NTC9462	435	NT605041L	258	NY106041L	576	NY108041L	375	NY110041L	325
NTC8848	447	NTC9481	743	NT605041L	259	NY106041L	577	NY108041L	390	NY110041L	344
NTC8860	468	NTC9485	743	NT605041L	292	NY106041L	578	NY108041L	395	NY110041L	358
NTC8860	471	NTC9493	743	NT605041L	479	NY106041L	614	NY108041L	435	NY110041L	427
NTC8861	468	NTC9500	744	NT607041L	479	NY106041L	617	NY108041L	438	NY110041L	428
NTC8861	470	NTC9501	744	NT608041L	436	NY106041L	619	NY108041L	443	NY110041L	437
NTC9027	438	NTC9502	743	NT614041L	457	NY106041L	621	NY108041L	448	NY110041L	444
NTC9055	480	NTC9704	471	NV108041L	592	NY106041L	794	NY108041L	479	NY110041L	463
NTC9068	447	NTC9726	499	NV108041L	593	NY106041L	800	NY108041L	490	NY110041L	547
NTC9070	106	NTC9726	500	NV110041L	592	NY106041L	817	NY108041L	503	NY110041L	747





## DEFENDER 110 1987 onwards

1123

## NUMERICAL INDEX

PART NO	PAGE	PART NO	PAGE	PART NO	PAGE	PART NO	PAGE	PART NO	PAGE	PART NO	PAGE
NY110041L	748	NY607041L	456	PC108291L	513	PRC2497	712	PRC3030	737	PRC3543	1058
NY110041L	749	NY607041L	458	PC108291L	514	PRC2505	141	PRC3037	689	PRC3588	674
NY110041L	852	NY608041L	435	PC108291L	516	PRC2505	35	PRC3085	677	PRC3617	674
NY110041L	880	NY608041L	436	PC108321L	394	PRC2505	36	PRC3095	709	PRC3625	685
NY110051L	439	NY608041L	440	PC108321L	395	PRC2505	38	PRC3098	525	PRC3671	729
NY112041L	441	NY608041L	441	PC108321L	790	PRC2505	92	PRC3131	289	PRC3672	729
NY112041L	834	NY608041L	454	PC112291	478	PRC2506	271	PRC3180	685	PRC3678	724
NY114041	435	NY608041L	455	PKX100030	276	PRC2507	264	PRC3180	707	PRC3702	700
NY116041	407	NY608041L	458	PRC1039	349	PRC2516	676	PRC3180	724	PRC3737	698
NY116041	409	NY610041	434	PRC1039	677	PRC2734	712	PRC3247	707	PRC3737	713
NY116041L	1051	NY610041L	438	PRC1333	689	PRC2735	711	PRC3250	734	PRC3738	697
NY116041L	1052	NY612041	439	PRC1333	750	PRC2854	731	PRC3250	736	PRC3794	731
NY116041L	1053	NZX8076L	275	PRC1794	702	PRC2854	733	PRC3250	737	PRC3794	736
NY116041L	1054	NZ606041L	399	PRC1859	684	PRC2854	734	PRC3299	676	PRC3794	737
NY116041L	443	NZ606041L	401	PRC1860	683	PRC2854	736	PRC3353	514	PRC3794	738
NY116051L	434	PAM4356L	932	PRC1984	719	PRC2854	737	PRC3359	146	PRC3813	678
NY120041L	368	PAM4356L	936	PRC2015	685	PRC2876	677	PRC3359	191	PRC3833	724
NY120041L	369	PA105101	615	PRC2057	719	PRC2911	371	PRC3359	271	PRC3875	712
NY120041L	388	PA105101L	140	PRC2167	669	PRC2911	390	PRC3366	43	PRC3900	712
NY120041L	391	PA105101L	91	PRC2167	670	PRC2911	677	PRC3366	98	PRC3905	697
NY120041L	435	PA105161L	473	PRC2230	683	PRC2964	678	PRC3389	689	PRC4021	700
NY120041L	438	PA106201	901	PRC2239	717	PRC2978	334	PRC3430	712	PRC4021	703
NY604041L	1044	PA108101L	341	PRC2291	734	PRC2978	707	PRC3432	712	PRC4021	704
NY604041L	462	PA120801L	323	PRC2291	736	PRC2979	226	PRC3494	700	PRC4021	706
NY604041L	463	PA120801L	344	PRC2291	737	PRC2979	724	PRC3505	146	PRC4043	139
NY605041L	479	PCD100150	619	PRC2403	1058	PRC2980	724	PRC3505	271	PRC4043	89
NY606041L	406	PC105401L	395	PRC2439	1059	PRC3025	685	PRC3537	694	PRC4043	90
NY606041L	408	PC106291	1061	PRC2439	1060	PRC3025	724	PRC3541	43	PRC4082	706
NY607041L	452	PC106561L	357	PRC2443	689	PRC3030	734	PRC3541	98	PRC4083	706
NY607041L	454	PC106641	908	PRC2471	729	PRC3030	736	PRC3542	1058	PRC4084	706





## DEFENDER 110 1987 onwards

1124

## NUMERICAL INDEX

PART NO	PAGE	PART NO	PAGE	PART NO	PAGE	PART NO	PAGE	PART NO	PAGE	PART NO	PAGE
PRC4085	706	PRC4427	714	PRC5109	116	PRC5736	732	PRC5877	708	PRC6295	92
PRC4092	706	PRC4430	271	PRC5109E	116	PRC5736	733	PRC5878	701	PRC6311	686
PRC4096	700	PRC4433	714	PRC5109E	163	PRC5736	734	PRC5878	708	PRC6336	716
PRC4096	703	PRC4433	715	PRC5109E	207	PRC5736	736	PRC5879	708	PRC6348	727
PRC4096	704	PRC4442	514	PRC5109N	163	PRC5736	738	PRC5880	708	PRC6387	139
PRC4127	1060	PRC4449	713	PRC5109N	207	PRC5738	730	PRC5883	1060	PRC6387	183
PRC4151	1060	PRC4454	713	PRC5141	735	PRC5738	732	PRC5912	719	PRC6387	224
PRC4152	1060	PRC4456	719	PRC5141	736	PRC5739	733	PRC6021	724	PRC6387	35
PRC4208	697	PRC4471	710	PRC5141	737	PRC5739	734	PRC6022	724	PRC6387	36
PRC4209	1058	PRC4473	677	PRC5356	1058	PRC5741	730	PRC6023	724	PRC6387	89
PRC4268	740	PRC4497	740	PRC5357	1058	PRC5741	732	PRC6036	740	PRC6387	90
PRC4276	729	PRC4540	1058	PRC5499	685	PRC5742	730	PRC6037	740	PRC6574	289
PRC4277	729	PRC4540	1060	PRC5524	684	PRC5742	732	PRC6080	700	PRC6613N	65
PRC4282	740	PRC4612	739	PRC5537	712	PRC5744	730	PRC6080	703	PRC6663	141
PRC4297	478	PRC4613	739	PRC5538	116	PRC5744	737	PRC6080	704	PRC6663	38
PRC4298	740	PRC4613LCS	739	PRC5538	163	PRC5747	732	PRC6081	700	PRC6663	92
PRC4299	740	PRC4616	683	PRC5538	207	PRC5756	731	PRC6081	703	PRC6779	686
PRC4301	740	PRC4720	713	PRC5543	533	PRC5765	733	PRC6081	704	PRC6785	684
PRC4304	740	PRC4785	700	PRC5544	693	PRC5773	736	PRC6082	700	PRC6864	717
PRC4306	698	PRC4785	703	PRC5600	695	PRC5773	737	PRC6082	703	PRC6913	716
PRC4311	698	PRC4785	704	PRC5602	693	PRC5777	734	PRC6082	704	PRC6947	184
PRC4324	726	PRC4795	708	PRC5603	695	PRC5802	732	PRC6082	708	PRC7002	695
PRC4327	727	PRC4952	701	PRC5670	689	PRC5802	733	PRC6083	696	PRC7003	692
PRC4370	726	PRC4954	701	PRC5679	712	PRC5802	734	PRC6133	289	PRC7004	692
PRC4372	139	PRC4970	692	PRC5680	696	PRC5802	737	PRC6141	289	PRC7011	693
PRC4372	89	PRC4993	692	PRC5685	709	PRC5852	521	PRC6144	289	PRC7012	693
PRC4372	90	PRC4994	701	PRC5723	708	PRC5852	523	PRC6167	1058	PRC7018	523
PRC4376	700	PRC4995	706	PRC5724	708	PRC5852	525	PRC6228	727	PRC7019	525
PRC4412	690	PRC4996	701	PRC5736	730	PRC5874	1058	PRC6290	710	PRC7020	521
PRC4427	708	PRC5003	708	PRC5736	731	PRC5877	701	PRC6295	141	PRC7022	695





## DEFENDER 110 1987 onwards

1125

## NUMERICAL INDEX

PART NO	PAGE	PART NO	PAGE	PART NO	PAGE	PART NO	PAGE	PART NO	PAGE	PART NO	PAGE
PRC7044	673	PRC8231	679	PRC8928	694	PS103121L	357	RA608236L	935	RB613102	762
PRC7060	709	PRC8243	686	PRC9096	688	PS103121L	371	RA608236L	936	RF608041	895
PRC7100	708	PRC8245	689	PRC9188	727	PS103121L	908	RA610123	708	RF608041	897
PRC7173	708	PRC8246	713	PRC9224	684	PS104121L	394	RA610123	752	RF608041	899
PRC7175	684	PRC8295	717	PRC9226	684	PS104121L	395	RA610167	739	RJ608603	821
PRC7204	264	PRC8385	686	PRC9324	697	PS104127	776	RA610183	770	RJ610243	907
PRC7255	675	PRC8410	709	PRC9325	697	PS104127L	374	RA610183	906	RJ612433	845
PRC7277	697	PRC8452	713	PRC9327	695	PS104127L	513	RA612156L	1036	RKC5098L	315
PRC7311	724	PRC8463	521	PRC9329	695	PS104127L	514	RA612156L	995	RRC2281	435
PRC7313	724	PRC8470	712	PRC9331	693	PS104127L	516	RA612157	1009	RRC2303	400
PRC7315	724	PRC8495	729	PRC9332	693	PS104161	515	RA612183	772	RRC2409	935
PRC7318	726	PRC8548	680	PRC9334	713	PS105251	437	RA612183	891	RRC2432	758
PRC7319	726	PRC8558	739	PRC9410	713	PS105251	443	RA612207L	504	RRC2440	854
PRC7320	726	PRC8559	729	PRC9809	686	PS105321L	462	RA612207L	739	RRC2443	845
PRC7326	709	PRC8559	739	PRC9810	686	PS106161	776	RA612236	1036	RRC2475	540
PRC7329	709	PRC8593	191	PRC9902	689	PS106201	478	RA612237	1008	RRC2476	935
PRC7370	712	PRC8664	730	PRC9916	673	PS106321L	439	RA612253L	771	RRC2479	502
PRC7371	712	PRC8664	732	PRC9937	727	PS603041L	475	RA612346	939	RRC2481ABE	898
PRC7373	724	PRC8664	737	PRC9938	727	PS603041L	483	RA612347	1029	RRC2485	1015
PRC7374	724	PRC8707	521	PRC9939	727	PS603041L	807	RA612347L	1044	RRC2486	528
PRC7542	692	PRC8708	523	PRC9941	727	PS603041L	810	RA612373L	833	RRC2487	531
PRC7851	696	PRC8816	671	PRC9941	728	PS606101L	267	RA612373L	834	RRC2488	530
PRC7867	695	PRC8868	686	PRC9993	671	PS608101L	407	RA612373L	842	RRC2491	823
PRC7992	669	PRC8869	692	PS102081	482	PS608101L	439	RA612373L	845	RRC2497	757
PRC7994	669	PRC8870	692	PS102081L	475	PS612080	816	RA612373L	880	RRC2579	682
PRC8072	689	PRC8872	692	PS103081L	475	PYC101120	234	RA612373L	902	RRC2593	527
PRC8123	716	PRC8873	309	PS103101L	395	RA607076	551	RA612373L	903	RRC2595	935
PRC8125	671	PRC8873	337	PS103101L	807	RA608177L	1044	RA612373L	905	RRC2596	935
PRC8204	677	PRC8876	717	PS103101L	810	RA608177L	522	RB610082	830	RRC2626	935
PRC8230	711	PRC8879	725	PS103121	1061	RA608177L	799	RB610082	837	RRC2629	935





## DEFENDER 110 1987 onwards

1126

## NUMERICAL INDEX

PART NO	PAGE	PART NO	PAGE	PART NO	PAGE	PART NO	PAGE	PART NO	PAGE	PART NO	PAGE
RRC2635	683	RRC4419	586	RRC6245	823	RRC6874	743	RTC222	733	RTC299310	216
RRC2636	682	RRC4419	590	RRC6253	795	RRC7190LUH	936	RTC2348	268	RTC299310	26
RRC2637	763	RRC4422	907	RRC6254	795	RRC7198LUH	936	RTC2349	268	RTC299310	77
RRC2637	766	RRC5528	561	RRC6268LCS	986	RRC7587LUH	936	RTC2408	254	RTC3022	526
RRC2638	763	RRC5533	835	RRC6269RCF	986	RRO2125L	597	RTC240820	254	RTC3022	712
RRC2638	766	RRC5539	822	RRC6269RUY	986	RRO2126L	597	RTC2726	410	RTC3022	815
RRC2644	536	RRC5539	835	RRC6270LCS	983	RR612063	816	RTC2726	412	RTC3107	964
RRC2645	536	RRC5677	835	RRC6271RCF	983	RR612103	902	RTC2825	128	RTC3108	964
RRC2800	562	RRC5727	562	RRC6271RUY	983	RR612103	903	RTC2825	174	RTC3176	509
RRC2963ABE	898	RRC5728	144	RRC6287	847	RR612103	905	RTC2825	215	RTC3197	288
RRC2970	748	RRC6104	987	RRC6292	844	RTC1139	425	RTC2825	25	RTC3215	111
RRC2971	748	RRC6105	987	RRC6293	850	RTC1148	525	RTC2825	76	RTC3215	60
RRC3011	560	RRC6106	987	RRC6294	850	RTC1526	507	RTC2889	52	RTC3278	58
RRC3011	562	RRC6111	987	RRC6296	845	RTC1718	253	RTC2890	52	RTC3292	113
RRC3043	784	RRC6149	530	RRC6304	848	RTC171810	253	RTC2913	282	RTC3292	62
RRC3044	784	RRC6150	531	RRC6305	848	RTC171820	253	RTC2914	316	RTC3354	744
RRC3045	874	RRC6154	854	RRC6362	850	RTC1956	373	RTC2972N	249	RTC3397	365
RRC3264	909	RRC6155	854	RRC6363	850	RTC1956	393	RTC2972R	249	RTC3397	385
RRC3266	442	RRC6168	854	RRC6365	907	RTC198	729	RTC2991	72	RTC3403	377
RRC3352	442	RRC6169	854	RRC6390LCS	986	RTC2057	307	RTC2992	25	RTC3403	397
RRC3355	442	RRC6177	871	RRC6391RCF	986	RTC210	674	RTC2992	76	RTC3418	509
RRC3584	909	RRC6186	954	RRC6391RUY	986	RTC2104	282	RTC299210	25	RTC3429	420
RRC3746	550	RRC6198	757	RRC6392LCS	983	RTC2117	254	RTC299210	76	RTC3429	422
RRC3746	559	RRC6215	838	RRC6393RCF	983	RTC211710	254	RTC2993	129	RTC3429	427
RRC3746	561	RRC6216	838	RRC6393RUY	983	RTC211720	254	RTC2993	175	RTC3429	428
RRC3972	900	RRC6233	763	RRC6716	533	RTC2186S	254	RTC2993	216	RTC3458	399
RRC3973	900	RRC6233	766	RRC6744	540	RTC218620	254	RTC2993	26	RTC3458	401
RRC4002	550	RRC6234	763	RRC6745	537	RTC222	730	RTC2993	77	RTC3474	58
RRC4002	559	RRC6234	766	RRC6746	538	RTC222	731	RTC299310	129	RTC3479	551
RRC4418	527	RRC6239	758	RRC6747	541	RTC222	732	RTC299310	175	RTC3497	271





## DEFENDER 110 1987 onwards

1127

## NUMERICAL INDEX

PART NO	PAGE	PART NO	PAGE	PART NO	PAGE	PART NO	PAGE	PART NO	PAGE	PART NO	PAGE
RTC3499	95	RTC3665	47	RTC3826	432	RTC4054T	1048	RTC4398	460	RTC4502	688
RTC3502	553	RTC3682	669	RTC3867	729	RTC4055A	1049	RTC4399	460	RTC4502	713
RTC3502	556	RTC3683	669	RTC3890	376	RTC4055T	1048	RTC4400	460	RTC4503	688
RTC3502	558	RTC3729	1058	RTC3890	396	RTC4056A	1049	RTC4401	460	RTC4504	688
RTC3518	278	RTC3729	1060	RTC3935PA	806	RTC4056T	1048	RTC4402	461	RTC4505	688
RTC3518	279	RTC3744	755	RTC3938AV	945	RTC4057A	1049	RTC4403	461	RTC4507	698
RTC3518	553	RTC3744	756	RTC3938AV	950	RTC4057T	1048	RTC4404	461	RTC4510	688
RTC3518	555	RTC3744	770	RTC3938LDE	945	RTC4058A	1049	RTC4405	461	RTC4510	698
RTC3518	557	RTC3744	783	RTC3938LDE	950	RTC4058T	1048	RTC4406	461	RTC4595R	20
RTC3518	568	RTC3744	911	RTC3939PA	803	RTC4059E	70	RTC4407	461	RTC4608N	249
RTC3519	432	RTC3745	1064	RTC3939PA	806	RTC4102	964	RTC4408	461	RTC4615	669
RTC3519	554	RTC3745	1065	RTC3940PA	803	RTC4183	676	RTC4409	461	RTC4637	436
RTC3562	717	RTC3745	666	RTC3940PA	806	RTC4184	676	RTC4410	461	RTC4638	441
RTC3566	275	RTC3745	726	RTC3959	730	RTC4185	676	RTC4419	46	RTC4639	441
RTC3610	619	RTC3745	752	RTC3959	732	RTC4198	452	RTC4420	46	RTC4685	1073
RTC3614	58	RTC3745	769	RTC3959	738	RTC4198	454	RTC4421	46	RTC4686	1073
RTC3626	509	RTC3745	911	RTC3985	22	RTC4198	455	RTC4425	480	RTC4734S	26
RTC3627	509	RTC3748	803	RTC4035A	1049	RTC4198	457	RTC4428	488	RTC473420	26
RTC3635	713	RTC3748	806	RTC4035T	1048	RTC4200	626	RTC4472	463	RTC4738	448
RTC3635	725	RTC3750	915	RTC4042A	1049	RTC4201	626	RTC4477	264	RTC4740	526
RTC3637R	249	RTC3755	960	RTC4042T	1048	RTC4340	890	RTC4480	729	RTC4741	526
RTC3650	730	RTC3764	958	RTC4043A	1049	RTC4341	890	RTC4482	688	RTC4778S	77
RTC3650	731	RTC3772	30	RTC4043T	1048	RTC4342	890	RTC4488	426	RTC477820	77
RTC3650	732	RTC3772	700	RTC4047A	1049	RTC4373	372	RTC4490	365	RTC4783	128
RTC3650	733	RTC3772	702	RTC4047T	1048	RTC4373	392	RTC4490	385	RTC4783	174
RTC3650	734	RTC3772	703	RTC4049A	1049	RTC4391	459	RTC4497	688	RTC4783	215
RTC3650	736	RTC3772	704	RTC4049T	1048	RTC4392	459	RTC4498	688	RTC4783	25
RTC3650	737	RTC3772	80	RTC4051A	1049	RTC4393	459	RTC4500	688	RTC4783	76
RTC3650	738	RTC3812	288	RTC4051T	1048	RTC4394	460	RTC4500	698	RTC478310	128
RTC3663	47	RTC3812	58	RTC4054A	1049	RTC4395	459	RTC4501	688	RTC478310	174







## DEFENDER 110 1987 onwards

1128

## NUMERICAL INDEX

PART NO	PAGE	PART NO	PAGE	PART NO	PAGE	PART NO	PAGE	PART NO	PAGE	PART NO	PAGE
RTC478310	215	RTC4908	47	RTC5068	456	RTC5629	59	RTC5681E	291	RTC5687	160
RTC478310	25	RTC4978	116	RTC5069	456	RTC5670	112	RTC5681N	291	RTC5687	161
RTC478310	76	RTC4978	163	RTC5070	456	RTC5670	114	RTC5682E	112	RTC5687	205
RTC4785	688	RTC4978	207	RTC5071	456	RTC5670	160	RTC5682E	160	RTC5687	291
RTC4820	414	RTC4979	116	RTC5072	456	RTC5670	161	RTC5682E	205	RTC5687	61
RTC4825	468	RTC4979	163	RTC5073	456	RTC5670	205	RTC5682E	61	RTC5687	63
RTC4826	466	RTC4979	207	RTC5074	456	RTC5670	291	RTC5682N	112	RTC5688	290
RTC4826	467	RTC4980	116	RTC5077	101	RTC5670	61	RTC5682N	160	RTC5688	291
RTC4848	734	RTC4980	163	RTC5077	149	RTC5670	63	RTC5682N	205	RTC5689	112
RTC4848	736	RTC4980	207	RTC5083E	111	RTC5671	114	RTC5682N	61	RTC5689	114
RTC4848	737	RTC4981	116	RTC5083E	60	RTC5671	161	RTC5683E	290	RTC5689	160
RTC4849	46	RTC4981	163	RTC5089	288	RTC5671	205	RTC5683N	290	RTC5689	161
RTC4850	46	RTC4981	207	RTC5090	288	RTC5671	291	RTC5684	112	RTC5689	205
RTC4851	47	RTC4982	116	RTC5092	288	RTC5671	63	RTC5684	160	RTC5689	290
RTC4852	46	RTC4982	163	RTC5099	151	RTC5674	106	RTC5684	61	RTC5689	291
RTC4853	47	RTC4982	207	RTC5099	197	RTC5674	155	RTC5685	112	RTC5689	61
RTC4857	46	RTC4983	116	RTC5218E	113	RTC5674	53	RTC5685	160	RTC5689	63
RTC4858	46	RTC4983	163	RTC5218E	62	RTC5675	106	RTC5685	290	RTC5700	297
RTC4859	46	RTC4983	207	RTC5265R	122	RTC5675	155	RTC5685	61	RTC5705	828
RTC4860	47	RTC5001	507	RTC5519	751	RTC5675	53	RTC5686	112	RTC5706	828
RTC4861	47	RTC5012	672	RTC5523	674	RTC5680E	114	RTC5686	114	RTC5707	828
RTC4896	46	RTC5013	672	RTC5524	674	RTC5680E	161	RTC5686	160	RTC5708	828
RTC4897	46	RTC5044	290	RTC5563	297	RTC5680E	205	RTC5686	161	RTC5709	829
RTC4898	46	RTC5045	290	RTC5563	65	RTC5680E	291	RTC5686	205	RTC5710	828
RTC4899	46	RTC5048	297	RTC5572	507	RTC5680E	63	RTC5686	290	RTC5711	828
RTC4900	46	RTC5048	65	RTC5573	507	RTC5680N	114	RTC5686	291	RTC5712	829
RTC4901	46	RTC5049	297	RTC5574	507	RTC5680N	161	RTC5686	61	RTC5727A	1049
RTC4903	46	RTC5049	65	RTC5577	297	RTC5680N	205	RTC5686	63	RTC5727T	1048
RTC4904	47	RTC5066	842	RTC5577	65	RTC5680N	291	RTC5687	112	RTC5728A	1049
RTC4906	47	RTC5067	842	RTC5628	289	RTC5680N	63	RTC5687	114	RTC5728T	1048





## DEFENDER 110 1987 onwards

1129

## NUMERICAL INDEX

PART NO	PAGE	PART NO	PAGE	PART NO	PAGE	PART NO	PAGE	PART NO	PAGE	PART NO	PAGE
RTC5774	153	RTC5925	291	RTC5981T	1048	RTC610	768	RTC6238	792	RTC6545	521
RTC5775	153	RTC5925	61	RTC5983A	1049	RTC6105	1016	RTC6239	792	RTC6545	523
RTC5779A	1067	RTC5925	63	RTC5983T	1048	RTC6106	1016	RTC6246	828	RTC6545	525
RTC5781A	1067	RTC5926	112	RTC599320	129	RTC6110	459	RTC625	1051	RTC6545	693
RTC5782A	1067	RTC5926	114	RTC601	765	RTC6115	256	RTC625	1053	RTC6545	695
RTC5816	481	RTC5926	160	RTC601	768	RTC6115	359	RTC6257	828	RTC6564	187
RTC5827	731	RTC5926	161	RTC6061N	297	RTC6129	453	RTC6266	796	RTC6564	228
RTC5827	733	RTC5926	205	RTC6065	1034	RTC613	274	RTC6270	838	RTC6627	58
RTC5827	734	RTC5926	290	RTC6072	275	RTC613	768	RTC6291	836	RTC6634A	1049
RTC5827	736	RTC5926	291	RTC6077	110	RTC6130	453	RTC6324	726	RTC6634T	1048
RTC5827	737	RTC5926	61	RTC6077	159	RTC614	959	RTC6350	778	RTC6635	170
RTC5828	733	RTC5926	63	RTC6077	57	RTC6159	787	RTC6351	778	RTC6702	194
RTC5828	734	RTC5935	106	RTC608	1013	RTC6164	709	RTC6352	778	RTC6702	236
RTC5841	414	RTC5935	155	RTC608	526	RTC6167	138	RTC6353	777	RTC6751	311
RTC5856N	249	RTC5935	200	RTC608	994	RTC6167	88	RTC6354	777	RTC6754	414
RTC5856R	249	RTC5935	283	RTC609	257	RTC6168	138	RTC6398	451	RTC6755	414
RTC5863	47	RTC5935	53	RTC609	274	RTC6168	88	RTC6398	455	RTC6760	283
RTC5869	462	RTC5941	872	RTC609	49	RTC6174S	129	RTC6399	451	RTC6790	872
RTC5870	462	RTC5942	872	RTC609	764	RTC617420	129	RTC6399	455	RTC6793	21
RTC5891	101	RTC5942	873	RTC609	766	RTC6179	377	RTC6401A	1049	RTC6794	71
RTC5891	149	RTC5943	872	RTC609	767	RTC6179	397	RTC6401T	1048	RTC6795	123
RTC5908	453	RTC5947	58	RTC609	778	RTC6205	763	RTC6442S	77	RTC6797	326
RTC5909	453	RTC5970	47	RTC609	841	RTC6205	766	RTC644220	77	RTC6799	508
RTC5918	269	RTC5971	288	RTC6093	151	RTC6206	763	RTC6453	1011	RTC6800N	20
RTC5925	112	RTC5978	628	RTC6093	196	RTC6206	766	RTC6457	175	RTC6800R	20
RTC5925	114	RTC5979A	1049	RTC6094	151	RTC6209	766	RTC6462	863	RTC6801N	70
RTC5925	160	RTC5979T	1048	RTC6094	196	RTC6210	766	RTC6540	151	RTC6801R	70
RTC5925	161	RTC5980A	1049	RTC610	476	RTC6213	775	RTC6541	151	RTC6802N	122
RTC5925	205	RTC5980T	1048	RTC610	624	RTC6218	758	RTC6542	151	RTC6802R	122
RTC5925	290	RTC5981A	1049	RTC610	765	RTC6222	825	RTC6543	151	RTC6826	754





## DEFENDER 110 1987 onwards

1130

## NUMERICAL INDEX

PART NO	PAGE	PART NO	PAGE	PART NO	PAGE	PART NO	PAGE	PART NO	PAGE	PART NO	PAGE
RTC6851	141	RTC7423	636	RTC7452	645	RTC7470	637	RU608123L	762	RU612183	850
RTC6851	35	RTC7424	636	RTC7452	647	RTC7470	641	RU608123L	928	RU612183	903
RTC6851	89	RTC7425	636	RTC7453	640	RTC7470	646	RU608123L	932	RU612373L	1001
RTC6851	92	RTC7426	636	RTC7453	645	RTC7470	658	RU608183L	821	RU612373L	1027
RTC6856	739	RTC7427	636	RTC7454	640	RTC7470	661	RU608253L	957	RU612373L	1030
RTC6862	414	RTC7428	636	RTC7454	644	RTC7471	640	RU608253L	964	RU612373L	778
RTC6868R	301	RTC7429	636	RTC7454	699	RTC7471	645	RU608313L	1003	RU612373L	801
RTC6869A	1049	RTC7430	636	RTC7455	640	RTC7472	640	RU608313L	1006	RU612373L	824
RTC6869T	1048	RTC7433	640	RTC7455	644	RTC7472	645	RU608313L	1010	RU612373L	829
RTC6870A	1049	RTC7433	644	RTC7456	640	RTC7473	640	RU608313L	834	RU612373L	830
RTC6870T	1048	RTC7434	640	RTC7456	644	RTC7473	645	RU608313L	843	RU612373L	832
RTC6896	184	RTC7434	644	RTC7457	640	RTC7474	641	RU608313L	857	RU612373L	833
RTC6999R	301	RTC7436	640	RTC7457	644	RTC7474	646	RU608313L	869	RU612373L	836
RTC7408	664	RTC7436	644	RTC7457	647	RTC7588	640	RU608313L	871	RU612373L	837
RTC7409	664	RTC7439	640	RTC7458	640	RTC7588	644	RU608313L	968	RU612373L	842
RTC7410	665	RTC7439	644	RTC7458	644	RTC773	426	RU608313L	969	RU612373L	906
RTC7411	660	RTC7440	641	RTC7459	661	RTC8064	1063	RU608313L	971	RU612373L	907
RTC7411	665	RTC7440	646	RTC7460	661	RTC8065	1063	RU608313L	972	RU612373L	939
RTC7412	665	RTC7441	641	RTC7461	661	RTC844	425	RU608313L	974	RU612373L	961
RTC7413	665	RTC7441	646	RTC7462	664	RTC845	425	RU608313L	977	RU612373L	997
RTC7414	640	RTC7442	641	RTC7463	664	RTC8891	1050	RU608313L	979	RU612503	1045
RTC7414	645	RTC7442	646	RTC7464	664	RTC8891	1053	RU608313L	999	RU612503	526
RTC7415	664	RTC7443	663	RTC7465	660	RTC9535	433	RU610253	826	SA106161	814
RTC7416	636	RTC7445	663	RTC7465	665	RTC9580A	1053	RU610253	858	SA106161	909
RTC7417	636	RTC7446	641	RTC7466	663	RTC9581	1053	RU610313L	862	SA106201	957
RTC7418	636	RTC7446	646	RTC7467	658	RT612253	878	RU610313L	864	SA106251	813
RTC7419	636	RTC7448	663	RTC7468	641	RT612283	795	RU612183	1045	SA106351	902
RTC7420	636	RTC7450	665	RTC7468	646	RT612283	818	RU612183	1066	SA106351	903
RTC7421	636	RTC7451	663	RTC7469	641	RU608123L	751	RU612183	845	SA106351	905
RTC7422	636	RTC7452	640	RTC7469	646	RU608123L	760	RU612183	848	SA106401	902





## DEFENDER 110 1987 onwards

1131

## NUMERICAL INDEX

PART NO	PAGE	PART NO	PAGE	PART NO	PAGE	PART NO	PAGE	PART NO	PAGE	PART NO	PAGE
SA106401	903	SE105161	517	SE106161L	788	SE108201	879	SF108251	821	SH106121L	31
SA106401	905	SE105161	801	SE106161L	809	SE108201	988	SF108251L	363	SH106121L	415
SA106451	907	SE105161L	628	SE106161L	813	SE108251	798	SF108251L	383	SH106121L	468
SA108161	509	SE105161L	770	SE106161L	845	SE108251	819	SF604101	1014	SH106121L	507
SA108201L	377	SE105165L	993	SE106161L	995	SE108251	837	SF910141L	993	SH106121L	508
SA108201L	378	SE105201L	513	SE106164	1009	SE108251	877	SG103084	628	SH106121L	550
SA108201L	397	SE105201L	514	SE106164	996	SE108404L	775	SH104081L	469	SH106121L	559
SA506081L	266	SE105204	728	SE106164	997	SE108501	798	SH104101L	805	SH106121L	560
SA506081L	294	SE105251	960	SE106167	289	SE108601	817	SH104121L	38	SH106121L	561
SB108201L	355	SE105251	961	SE106201L	1002	SE110401	786	SH104201L	533	SH106121L	562
SD106401L	909	SE105251	962	SE106201L	1009	SE604051L	1002	SH105121	449	SH106121L	568
SE104124L	514	SE105251L	1001	SE106201L	707	SE604071L	890	SH105121	574	SH106121L	611
SE104124L	911	SE105251L	999	SE106201L	756	SE808244	628	SH105121L	544	SH106121L	612
SE104161L	708	SE105351	1058	SE106201L	817	SFR47	91	SH105121L	634	SH106121L	689
SE105101L	717	SE105351	1060	SE106201L	830	SF104164	890	SH105121L	653	SH106121L	690
SE105101L	807	SE105351L	904	SE106201L	839	SF104164	996	SH105121L	694	SH106121L	730
SE105101L	810	SE105351L	932	SE106201L	904	SF104204L	890	SH105121L	752	SH106121L	732
SE105101L	993	SE105351L	936	SE106201L	937	SF105201	1069	SH105161L	334	SH106124	1000
SE105121	740	SE105401	449	SE106201L	999	SF106161	1069	SH105161L	702	SH106124	1005
SE105121L	521	SE106101L	178	SE106204	989	SF106161	775	SH105161L	891	SH106124	1008
SE105121L	523	SE106121L	133	SE106204	997	SF106161L	807	SH105201L	486	SH106124	998
SE105121L	525	SE106121L	447	SE106251L	892	SF106161L	810	SH105201L	914	SH106141L	1061
SE105121L	693	SE106121L	689	SE106251L	937	SF106201L	374	SH105251L	152	SH106141L	139
SE105121L	694	SE106121L	717	SE106351L	916	SF106201L	394	SH105251L	197	SH106141L	183
SE105121L	697	SE106121L	81	SE106351L	917	SF106201L	957	SH105551	675	SH106141L	35
SE105121L	698	SE106161	575	SE106401	1002	SF106201L	964	SH106101L	303	SH106141L	36
SE105121L	717	SE106161L	1045	SE106401	922	SF106201L	966	SH106101L	347	SH106141L	545
SE105121L	911	SE106161L	289	SE106501	818	SF106401	809	SH106101L	788	SH106141L	576
SE105121L	912	SE106161L	729	SE108161L	749	SF106401	812	SH106101L	803	SH106141L	577
SE105161	449	SE106161L	775	SE108201	820	SF108201L	378	SH106101L	806	SH106141L	578





## DEFENDER 110 1987 onwards

1132

## NUMERICAL INDEX

PART NO	PAGE	PART NO	PAGE	PART NO	PAGE	PART NO	PAGE	PART NO	PAGE	PART NO	PAGE
SH106141L	719	SH106207L	619	SH106351L	813	SH108251L	109	SH108251L	75	SH108401L	987
SH106141L	720	SH106207L	620	SH106451	473	SH108251L	127	SH108251L	76	SH108451L	296
SH106141L	822	SH106251	1059	SH108121L	132	SH108251L	128	SH108251L	80	SH108501L	783
SH106141L	851	SH106251	1060	SH108121L	178	SH108251L	132	SH108251L	88	SH108701	585
SH106141L	89	SH106251L	1016	SH108121L	555	SH108251L	138	SH108301L	103	SH108701	590
SH106141L	90	SH106251L	1032	SH108141L	106	SH108251L	149	SH108301L	1033	SH108701	746
SH106161	575	SH106251L	1039	SH108141L	155	SH108251L	155	SH108301L	106	SH108701L	581
SH106161	602	SH106251L	1044	SH108141L	200	SH108251L	158	SH108301L	155	SH108701L	583
SH106161	622	SH106251L	1073	SH108141L	334	SH108251L	200	SH108301L	200	SH110141L	587
SH106161	772	SH106251L	358	SH108141L	45	SH108251L	203	SH108301L	309	SH110141L	591
SH106161	841	SH106251L	464	SH108141L	53	SH108251L	283	SH108301L	355	SH110161	587
SH106161	994	SH106251L	503	SH108141L	588	SH108251L	294	SH108301L	356	SH110161L	448
SH106161L	468	SH106251L	631	SH108141L	591	SH108251L	302	SH108301L	357	SH110201	1026
SH106161L	560	SH106251L	649	SH108151	968	SH108251L	303	SH108301L	45	SH110201	880
SH106161L	562	SH106251L	759	SH108151	970	SH108251L	310	SH108301L	53	SH110201L	189
SH106161M	343	SH106251L	822	SH108151	976	SH108251L	322	SH108301L	546	SH110201L	96
SH106167	289	SH106251L	827	SH108161	601	SH108251L	324	SH108301L	615	SH110251L	1035
SH106167L	778	SH106251L	868	SH108161L	125	SH108251L	34	SH108301L	64	SH110251L	1050
SH106201	1027	SH106251L	870	SH108161L	130	SH108251L	347	SH108301L	822	SH110251L	436
SH106201	746	SH106301	444	SH108161L	135	SH108251L	362	SH108301L	865	SH110251L	442
SH106201	841	SH106301L	348	SH108161L	27	SH108251L	371	SH108301L	908	SH110251L	745
SH106201	907	SH106301L	654	SH108161L	30	SH108251L	381	SH108351L	522	SH110251L	747
SH106201	957	SH106301L	655	SH108161L	624	SH108251L	382	SH108351L	773	SH110251L	852
SH106204	921	SH106301L	773	SH108161L	749	SH108251L	390	SH108401L	296	SH110301	1050
SH106204	995	SH106301L	790	SH108161L	768	SH108251L	393	SH108401L	303	SH110301	1052
SH106205	599	SH106351	819	SH108161L	78	SH108251L	395	SH108401L	309	SH110301	1053
SH106207L	562	SH106351L	335	SH108161L	859	SH108251L	53	SH108401L	347	SH110301	438
SH106207L	563	SH106351L	576	SH108161L	865	SH108251L	56	SH108401L	350	SH110301L	115
SH106207L	569	SH106351L	577	SH108251L	101	SH108251L	592	SH108401L	358	SH110301L	116
SH106207L	598	SH106351L	578	SH108251L	106	SH108251L	64	SH108401L	837	SH110301L	118





## DEFENDER 110 1987 onwards

1133

## NUMERICAL INDEX

PART NO	PAGE	PART NO	PAGE	PART NO	PAGE	PART NO	PAGE	PART NO	PAGE	PART NO	PAGE
SH110301L	139	SH116301	1062	SH506101L	296	SP104101	776	STC1004N	301	STC1180	1021
SH110301L	162	SH214141	364	SH506121L	288	SP104121	835	STC1005N	301	STC1180	1023
SH110301L	163	SH214141	384	SH507091L	256	SP105121	545	STC1007R	301	STC1182	720
SH110301L	165	SH406061L	407	SH604031L	252	SP105121	832	STC1012	1000	STC1184	288
SH110301L	206	SH406061L	409	SH604031L	476	SP105121	840	STC1012	998	STC1188	672
SH110301L	286	SH504041L	271	SH604041L	268	SP105204	714	STC1013	1005	STC1188	675
SH110301L	35	SH504041L	277	SH604051L	1012	SP105204	715	STC1013	1007	STC1189	675
SH110301L	36	SH504051L	257	SH604051L	49	SP105204	726	STC1036	306	STC1207	626
SH110301L	363	SH504051L	260	SH604071	1014	SP604061	959	STC1040	460	STC1209	670
SH110301L	383	SH504051L	485	SH604071L	1012	SR106201	902	STC1041	461	STC1210	670
SH110301L	448	SH504051L	486	SH604071L	1014	SR106201	903	STC1042	460	STC1210	671
SH110301L	66	SH504061L	270	SH604071L	996	SR106201	905	STC1044	454	STC1212	288
SH110301L	852	SH505041L	557	SH604081L	476	SR106251L	739	STC1044	457	STC1227	672
SH110301L	853	SH505051	551	SH604081L	477	SS106161L	587	STC1045	454	STC1228	672
SH110301L	89	SH505051L	135	SH605051L	274	SS106161L	591	STC1045	457	STC1229	675
SH110301L	90	SH505051L	136	SH605071	632	SS108161L	587	STC1055	453	STC1230	675
SH110351L	437	SH505051L	702	SH605081L	1034	SS108161L	591	STC1086	222	STC1241	298
SH110401L	382	SH505061L	260	SH605081L	439	SS108201	234	STC1120	551	STC1242	298
SH112201	1061	SH505071L	256	SH606061L	299	SS108201	238	STC1121	265	STC1243	298
SH112201	218	SH505071L	283	SH606061L	516	SS108251L	199	STC1122	265	STC1244	117
SH112201	325	SH505081L	618	SH607081L	299	SS108301L	100	STC1130	1062	STC1244	164
SH112251	1026	SH505091L	257	SH607091L	827	SS108301L	105	STC1130	368	STC1244	208
SH112251L	131	SH505091L	271	SH910101	281	SS108301L	148	STC1130	369	STC1245	117
SH112251L	177	SH506031	324	SH910241L	281	SS108301L	154	STC1130	388	STC1245	164
SH112251L	28	SH506071L	266	SK110101	1062	SS108301L	193	STC1130	391	STC1245	208
SH112251L	325	SH506071L	268	SL106121	746	SS108404	786	STC1172	198	STC1246	117
SH112251L	359	SH506071L	294	SL510031	502	SS108701S	336	STC1180	1016	STC1246	164
SH112251L	79	SH506071L	296	SL510031	504	SS110801	209	STC1180	1018	STC1246	208
SH112301L	304	SH506081L	255	SL510031	505	SS506060	283	STC1180	1019	STC1247	117
SH112505	508	SH506101L	273	SL510031	506	SS506121L	297	STC1180	1020	STC1247	164





## DEFENDER 110 1987 onwards

1134

## NUMERICAL INDEX

PART NO	PAGE	PART NO	PAGE	PART NO	PAGE	PART NO	PAGE	PART NO	PAGE	PART NO	PAGE
STC1247	208	STC1348A	1049	STC1557	198	STC1747	728	STC354AV	963	STC611	176
STC1250	117	STC1348T	1048	STC1558	153	STC1786N	301	STC354PB	963	STC617	807
STC1250	164	STC1349A	1049	STC1559	104	STC1787N	301	STC355AV	965	STC617	810
STC1250	208	STC1349T	1048	STC1562	104	STC1851	670	STC355PB	965	STC618	438
STC1250	298	STC1423	796	STC1566	282	STC1851	671	STC359	509	STC635	135
STC1251	117	STC1424	796	STC1601	510	STC1857	288	STC360	509	STC635	136
STC1251	164	STC1460	803	STC1602	412	STC1889	311	STC361	509	STC635	33
STC1251	208	STC1461	803	STC1611	258	STC1896	197	STC363	198	STC635	84
STC1252	298	STC1462	806	STC1612	670	STC1956	1060	STC398	457	STC635	86
STC1253	298	STC1463	806	STC1612	671	STC197	690	STC416	459	STC637	32
STC1254	117	STC1467	52	STC1613	670	STC199	26	STC417	459	STC637	83
STC1254	164	STC1470	796	STC1613	671	STC19920	26	STC418	459	STC637	85
STC1254	208	STC1471	796	STC1614	670	STC201	507	STC439	712	STC639	180
STC1255	117	STC1482	521	STC1614	671	STC205	275	STC441	490	STC640	33
STC1255	164	STC1485	670	STC1628	338	STC244	377	STC442	490	STC643	669
STC1255	208	STC1485	671	STC1633	106	STC244	397	STC443	739	STC700	353
STC1257	69	STC1486	670	STC1633	155	STC245	377	STC456	623	STC712	729
STC1266	508	STC1486	671	STC1633	200	STC245	397	STC471	305	STC717	1068
STC1267	508	STC1525	378	STC1633	283	STC246	377	STC487	259	STC718	1068
STC1268	510	STC1526	378	STC1633	53	STC246	397	STC488	259	STC719	1068
STC1269	510	STC1527	378	STC1639	282	STC251	679	STC491	490	STC721	1068
STC1270	510	STC1530	515	STC1640	52	STC262	194	STC492	490	STC722	1068
STC1275	508	STC1532	378	STC1675	212	STC290	436	STC493	490	STC723	1068
STC128	527	STC1533	378	STC1694	237	STC291	441	STC509	275	STC733	713
STC128	563	STC1536	378	STC1695	237	STC292	441	STC510	275	STC737	727
STC1280	508	STC1538	378	STC1696	237	STC293	441	STC579	414	STC742	65
STC1281	510	STC1546N	328	STC1697	237	STC307	682	STC579	416	STC746	873
STC130	113	STC1547N	328	STC1736N	211	STC308	168	STC581	353	STC747	873
STC130	62	STC1548N	328	STC1738	237	STC309N	169	STC582	353	STC748	873
STC1346	869	STC1549N	328	STC1739	237	STC309R	169	STC603	453	STC749	873





## DEFENDER 110 1987 onwards

1135

## NUMERICAL INDEX

PART NO	PAGE	PART NO	PAGE	PART NO	PAGE	PART NO	PAGE	PART NO	PAGE	PART NO	PAGE
STC760	637	STC8355	744	STC950	670	SX110301	428	TE108071L	91	TKC4635L	317
STC760	641	STC8356	744	STC951	670	SY504072L	268	TE108081L	39	TKC4637	317
STC761	637	STC8358	119	STC951	671	TD108091L	142	TE108081L	44	TKC4639	317
STC761	641	STC8358	166	STC952	624	TD108091L	93	TE108131L	45	TKC4641	317
STC762	637	STC8358	209	STC953	624	TD108181	180	TE108221	241	TKC4643L	317
STC762	641	STC8359	66	STC958	216	TE108031L	124	TE110051	245	TKC4645	317
STC79	1022	STC8361	299	STC960	196	TE108031L	126	TE110051L	184	TKC4647L	317
STC793	195	STC8362	299	STC963	377	TE108031L	171	TE110051L	192	TKC4649	317
STC794	195	STC837	457	STC963	397	TE108031L	23	TE110051L	220	TKC4651L	317
STC795	195	STC8383E	457	STC964	377	TE108031L	72	TE110061L	118	TKC4653L	317
STC796	195	STC8384E	457	STC964	397	TE108031L	74	TE110061L	165	TKC4655L	317
STC803	140	STC851	410	STC976	479	TE108031L	78	TE110061L	209	TKC4657L	317
STC803	91	STC851	412	STC987	729	TE108041L	127	TE110061L	245	TKC4659L	317
STC820	349	STC8577	313	STC99E	151	TE108041L	173	TE110061L	66	TKC4661L	317
STC822	308	STC873	712	STC99N	151	TE108041L	24	TE110071	225	TKC4663L	317
STC8249	1068	STC875	461	SU112101L	371	TE108041L	259	TE110071	233	TKC5779L	305
STC8254	1067	STC876	460	SU112101L	390	TE108041L	75	TE110071L	184	TKC5779L	306
STC8255	1067	STC876	461	SU112101M	371	TE108051L	184	TE110071L	192	TKC6932L	312
STC8256	1067	STC887	457	SX108201L	119	TE108051L	192	TE110151	222	TRS1114L	615
STC8257	1067	STC888	457	SX108201L	166	TE108051L	225	TE505105L	276	UAM2857L	217
STC8259	1067	STC889	461	SX108201L	209	TE108051L	233	TE506101L	283	UAM2957	217
STC8261	1067	STC890	461	SX108201L	245	TE108051L	273	TKC1229	326	UKC1060	326
STC8263	1067	STC892	454	SX108201L	66	TE108051L	31	TKC1229L	305	UKC1060L	310
STC8267	681	STC897	454	SX108251	750	TE108051L	37	TKC1229L	306	UKC1060L	338
STC8268	681	STC925	773	SX108251	768	TE108051L	91	TKC1235	326	UKC1689L	318
STC8269	681	STC925	774	SX108251	830	TE108061L	134	TKC1235L	305	UKC1690L	318
STC8270	681	STC926	774	SX108251	837	TE108061L	178	TKC1235L	306	UKC170L	305
STC8292	1067	STC948	637	SX108351L	356	TE108061L	220	TKC2596	322	UKC170L	306
STC8352	1067	STC948	641	SX110251M	419	TE108061L	82	TKC290L	322	UKC170L	332
STC8354	744	STC949	670	SX110251M	420	TE108071L	140	TKC4633	317	UKC18L	318







## DEFENDER 110 1987 onwards

1136

## NUMERICAL INDEX

PART NO	PAGE	PART NO	PAGE	PART NO	PAGE	PART NO	PAGE	PART NO	PAGE	PART NO	PAGE
UKC18L	320	UKC3798L	572	UTP1883	627	WA105001L	101	WA105001L	752	WA106041L	1060
UKC2089L	322	UKC3799L	278	WA103001L	821	WA105001L	149	WA105001L	771	WA106041L	1061
UKC2089L	356	UKC3799L	279	WA104001L	225	WA105001L	152	WA105001L	784	WA106041L	1064
UKC2105L	322	UKC3802L	279	WA104001L	38	WA105001L	196	WA105001L	807	WA106041L	1073
UKC2105L	356	UKC3803L	151	WA104001L	469	WA105001L	334	WA105001L	810	WA106041L	1074
UKC24L	305	UKC3803L	197	WA104001L	533	WA105001L	373	WA105001L	845	WA106041L	133
UKC24L	306	UKC3803L	233	WA104001L	727	WA105001L	393	WA105001L	851	WA106041L	139
UKC25L	304	UKC3803L	276	WA104001L	728	WA105001L	395	WA105001L	856	WA106041L	183
UKC25L	305	UKC3803L	570	WA104001L	734	WA105001L	513	WA105001L	860	WA106041L	252
UKC25L	334	UKC3803L	572	WA104001L	736	WA105001L	514	WA105001L	878	WA106041L	289
UKC2738L	307	UKC6683L	570	WA104001L	737	WA105001L	521	WA105001L	891	WA106041L	35
UKC2738L	308	UKC6683L	573	WA104001L	753	WA105001L	523	WA105001L	904	WA106041L	357
UKC30L	305	UKC6683L	579	WA104001L	805	WA105001L	525	WA105001L	911	WA106041L	36
UKC30L	306	UKC6684L	1059	WA104001L	808	WA105001L	544	WA105001L	912	WA106041L	371
UKC30L	332	UKC6684L	482	WA104001L	811	WA105001L	569	WA105001L	993	WA106041L	373
UKC3092	323	UKC73L	321	WA104001L	845	WA105001L	628	WA105001L	999	WA106041L	375
UKC31L	312	UKC75L	321	WA104004	665	WA105001L	634	WA105004L	628	WA106041L	393
UKC31L	313	UKC8L	311	WA104004	728	WA105001L	653	WA105041	740	WA106041L	450
UKC31L	315	UKC8L	338	WA104004L	752	WA105001L	676	WA106001L	1065	WA106041L	462
UKC3115	322	UKC8677L	303	WA104004L	911	WA105001L	693	WA106001L	234	WA106041L	463
UKC3530L	312	UKC8677L	331	WA104004L	912	WA105001L	694	WA106001L	308	WA106041L	464
UKC3530L	315	UKC8677L	347	WA104004L	915	WA105001L	695	WA106001L	322	WA106041L	468
UKC3531L	313	ULC1796L	317	WA105001	1060	WA105001L	696	WA106001L	415	WA106041L	469
UKC3660L	322	UTP1125	627	WA105001	449	WA105001L	697	WA106001L	618	WA106041L	473
UKC37L	311	UTP1126	627	WA105001	574	WA105001L	698	WA106001L	833	WA106041L	485
UKC37L	314	UTP1258	626	WA105001	599	WA105001L	709	WA106001L	842	WA106041L	486
UKC3794L	571	UTP1259	626	WA105001	629	WA105001L	710	WA106041	602	WA106041L	503
UKC3795L	572	UTP1281	626	WA105001	666	WA105001L	717	WA106041	622	WA106041L	504
UKC3796L	152	UTP1282	626	WA105001	880	WA105001L	727	WA106041L	1045	WA106041L	505
UKC3798L	570	UTP1725	626	WA105001L	1001	WA105001L	728	WA106041L	1059	WA106041L	506





## DEFENDER 110 1987 onwards

1137

## NUMERICAL INDEX

PART NO	PAGE	PART NO	PAGE	PART NO	PAGE	PART NO	PAGE	PART NO	PAGE	PART NO	PAGE
WA106041L	507	WA106041L	767	WA106041L	909	WA108051L	127	WA108051L	310	WA108051L	514
WA106041L	508	WA106041L	772	WA106041L	916	WA108051L	132	WA108051L	322	WA108051L	516
WA106041L	529	WA106041L	773	WA106041L	917	WA108051L	137	WA108051L	325	WA108051L	520
WA106041L	530	WA106041L	774	WA106041L	937	WA108051L	147	WA108051L	34	WA108051L	522
WA106041L	560	WA106041L	783	WA106041L	938	WA108051L	148	WA108051L	356	WA108051L	524
WA106041L	562	WA106041L	788	WA106041L	939	WA108051L	149	WA108051L	357	WA108051L	53
WA106041L	563	WA106041L	790	WA106041L	989	WA108051L	151	WA108051L	362	WA108051L	544
WA106041L	568	WA106041L	792	WA106044L	1002	WA108051L	155	WA108051L	364	WA108051L	546
WA106041L	588	WA106041L	794	WA106045L	769	WA108051L	158	WA108051L	367	WA108051L	549
WA106041L	591	WA106041L	800	WA106045L	770	WA108051L	173	WA108051L	371	WA108051L	56
WA106041L	609	WA106041L	803	WA106047L	289	WA108051L	178	WA108051L	374	WA108051L	573
WA106041L	611	WA106041L	806	WA106047L	562	WA108051L	181	WA108051L	381	WA108051L	579
WA106041L	612	WA106041L	809	WA106047L	563	WA108051L	193	WA108051L	384	WA108051L	58
WA106041L	614	WA106041L	81	WA106047L	569	WA108051L	194	WA108051L	387	WA108051L	587
WA106041L	617	WA106041L	817	WA106061L	281	WA108051L	196	WA108051L	390	WA108051L	591
WA106041L	618	WA106041L	818	WA108001	706	WA108051L	200	WA108051L	394	WA108051L	604
WA106041L	621	WA106041L	819	WA108041	601	WA108051L	203	WA108051L	395	WA108051L	609
WA106041L	624	WA106041L	823	WA108041	968	WA108051L	257	WA108051L	435	WA108051L	616
WA106041L	682	WA106041L	830	WA108041	970	WA108051L	258	WA108051L	438	WA108051L	618
WA106041L	707	WA106041L	839	WA108041	976	WA108051L	259	WA108051L	44	WA108051L	685
WA106041L	73	WA106041L	845	WA108051L	100	WA108051L	281	WA108051L	443	WA108051L	702
WA106041L	730	WA106041L	850	WA108051L	101	WA108051L	283	WA108051L	45	WA108051L	720
WA106041L	732	WA106041L	868	WA108051L	1026	WA108051L	289	WA108051L	450	WA108051L	721
WA106041L	735	WA106041L	869	WA108051L	1027	WA108051L	29	WA108051L	477	WA108051L	744
WA106041L	736	WA106041L	870	WA108051L	1029	WA108051L	292	WA108051L	478	WA108051L	746
WA106041L	737	WA106041L	871	WA108051L	103	WA108051L	293	WA108051L	479	WA108051L	749
WA106041L	739	WA106041L	89	WA108051L	1035	WA108051L	295	WA108051L	484	WA108051L	75
WA106041L	746	WA106041L	90	WA108051L	106	WA108051L	296	WA108051L	490	WA108051L	750
WA106041L	755	WA106041L	907	WA108051L	109	WA108051L	309	WA108051L	503	WA108051L	769
WA106041L	765	WA106041L	908	WA108051L	125	WA108051L	31	WA108051L	513	WA108051L	773





## DEFENDER 110 1987 onwards

1138

## NUMERICAL INDEX

PART NO	PAGE	PART NO	PAGE	PART NO	PAGE	PART NO	PAGE	PART NO	PAGE	PART NO	PAGE
WA108051L	786	WA110001L	442	WA110061L	463	WA702101L	268	WC105001L	914	WC108051L	1009
WA108051L	787	WA110061	334	WA110061L	547	WA702101L	277	WC105004	728	WC108051L	1029
WA108051L	790	WA110061	511	WA110061L	56	WA702101L	281	WC105007	714	WC108051L	1033
WA108051L	80	WA110061	587	WA110061L	587	WA704061	708	WC105007	726	WC108051L	1046
WA108051L	800	WA110061L	1008	WA110061L	591	WB106041	775	WC105007	769	WC108051L	115
WA108051L	817	WA110061L	1026	WA110061L	66	WB106041L	1012	WC106041L	1012	WC108051L	162
WA108051L	819	WA110061L	1035	WA110061L	747	WB106041L	1028	WC106041L	1044	WC108051L	206
WA108051L	822	WA110061L	1050	WA110061L	748	WB106041L	1034	WC106041L	1046	WC108051L	448
WA108051L	831	WA110061L	109	WA110061L	776	WB106041L	268	WC106041L	258	WC108051L	522
WA108051L	835	WA110061L	118	WA110061L	852	WB106041L	58	WC106041L	259	WC108051L	524
WA108051L	838	WA110061L	158	WA110061L	853	WB106045	1014	WC106041L	483	WC108051L	56
WA108051L	846	WA110061L	165	WA110061L	909	WB108051L	110	WC106041L	493	WC108051L	64
WA108051L	847	WA110061L	192	WA110065	633	WB108051L	159	WC106041L	502	WC108051L	73
WA108051L	853	WA110061L	203	WA110065	653	WB108051L	57	WC106041L	598	WC108051L	744
WA108051L	87	WA110061L	209	WA112081L	1026	WB108051L	711	WC106041L	620	WC108051L	768
WA108051L	878	WA110061L	245	WA112081L	1055	WB108051L	891	WC106041L	682	WC108051L	778
WA108051L	902	WA110061L	286	WA112081L	304	WB114001L	878	WC106041L	730	WC108051L	798
WA108051L	903	WA110061L	296	WA112081L	452	WB120001	439	WC106041L	732	WC108051L	817
WA108051L	905	WA110061L	297	WA112081L	454	WB600071L	48	WC106041L	746	WC108051L	835
WA108051L	907	WA110061L	304	WA112081L	455	WC104001L	835	WC106041L	756	WC108051L	837
WA108051L	908	WA110061L	305	WA112081L	457	WC104001L	926	WC106041L	757	WC108051L	859
WA108051L	968	WA110061L	306	WA112081L	475	WC105001	665	WC106041L	761	WC108051L	865
WA108051L	969	WA110061L	324	WA112081L	478	WC105001	715	WC106041L	822	WC108051L	866
WA108051L	971	WA110061L	325	WA112081L	750	WC105001L	482	WC106041L	841	WC108051L	877
WA108051L	972	WA110061L	358	WA112081L	834	WC105001L	752	WC106041L	901	WC108051L	879
WA108051L	977	WA110061L	363	WA112081L	929	WC105001L	770	WC106044L	911	WC108051L	958
WA108051L	988	WA110061L	383	WA120001	438	WC105001L	807	WC106045	599	WC108051L	974
WA108051L	99	WA110061L	437	WA600071	452	WC105001L	832	WC106047	598	WC108051L	979
WA110001L	1052	WA110061L	442	WA600091L	816	WC105001L	840	WC106047	620	WC108051L	980
WA110001L	1053	WA110061L	448	WA702101L	252	WC105001L	911	WC108051L	1004	WC108051L	983





## DEFENDER 110 1987 onwards

1139

## NUMERICAL INDEX

PART NO	PAGE	PART NO	PAGE	PART NO	PAGE	PART NO	PAGE	PART NO	PAGE	PART NO	PAGE
WC108051L	986	WC600045L	996	WF106001L	775	WH600041L	1014	WL105001L	517	WL106001	588
WC108051L	987	WC702101	1063	WF108001L	794	WJ105001	960	WL105001L	521	WL106001	591
WC108051L	990	WC702101	506	WF108001L	957	WJ105001	961	WL105001L	523	WL106001	632
WC108051L	992	WC702101	526	WF108004L	786	WJ106001L	528	WL105001L	525	WL106001	746
WC110061	880	WC702101	961	WF110001L	493	WJ106001L	587	WL105001L	544	WL106001	850
WC110061L	131	WC702101L	1001	WF110001L	495	WJ106001L	591	WL105001L	545	WL106001L	1011
WC110061L	177	WC702101L	502	WF110001L	496	WJ106007	59	WL105001L	674	WL106001L	1012
WC110061L	256	WC702101L	504	WF110001L	497	WJ108001	588	WL105001L	676	WL106001L	1016
WC110061L	28	WC702101L	505	WF110001L	498	WJ108001	591	WL105001L	693	WL106001L	1027
WC110061L	344	WC702101L	994	WF110001L	499	WJ108001L	147	WL105001L	694	WL106001L	1028
WC110061L	439	WC702101L	997	WF110001L	500	WJ108001L	983	WL105001L	697	WL106001L	1032
WC110061L	441	WD110061L	359	WF110001L	502	WJ108001L	986	WL105001L	698	WL106001L	1034
WC110061L	745	WD112081L	891	WF110001L	504	WJ110001L	463	WL105001L	702	WL106001L	1039
WC110061L	79	WE104001L	225	WF110001L	505	WJ600041L	1073	WL105001L	717	WL106001L	105
WC110061L	983	WE104001L	725	WF110001L	506	WK606214L	723	WL105001L	722	WL106001L	106
WC110061L	986	WE104001L	805	WF112001L	475	WK608213	1013	WL105001L	752	WL106001L	1061
WC110061LD	359	WE106001L	788	WF116001L	515	WK608311	992	WL105001L	832	WL106001L	1064
WC112081	443	WE600041L	716	WF600041L	689	WL100001L	707	WL105001L	840	WL106001L	1065
WC112081	747	WE600041L	959	WF600041L	717	WL104001L	533	WL105001L	856	WL106001L	1073
WC112081L	435	WE600071L	479	WF600041L	731	WL104001L	776	WL105001L	860	WL106001L	1074
WC112081L	437	WE600081	446	WF600041L	733	WL104004	911	WL105001L	891	WL106001L	135
WC112081L	462	WE600101L	480	WF600041L	734	WL105001	1058	WL105001L	904	WL106001L	136
WC112081L	463	WE702101	961	WF600041L	736	WL105001	1060	WL105001L	914	WL106001L	145
WC112081L	582	WE703081	707	WF600041L	737	WL105001	574	WL105004	714	WL106001L	146
WC112081L	827	WF104001L	514	WF600051L	830	WL105001	801	WL105004	726	WL106001L	154
WC116101	443	WF105001L	717	WF600051L	837	WL105001	960	WL105004	728	WL106001L	155
WC600045L	1002	WF105001L	770	WF600071L	479	WL105001	962	WL106001	1059	WL106001L	180
WC600045L	1009	WF105001L	912	WF702108	722	WL105001L	334	WL106001	1060	WL106001L	190
WC600045L	1012	WF106001L	289	WF703084	722	WL105001L	486	WL106001	415	WL106001L	200
WC600045L	922	WF106001L	717	WF704064	723	WL105001L	51	WL106001	575	WL106001L	252





## DEFENDER 110 1987 onwards

1140

## NUMERICAL INDEX

PART NO	PAGE	PART NO	PAGE	PART NO	PAGE	PART NO	PAGE	PART NO	PAGE	PART NO	PAGE
WL106001L	29	WL106001L	598	WL106001L	767	WL106001L	86	WL106005L	770	WL108001L	142
WL106001L	307	WL106001L	611	WL106001L	773	WL106001L	865	WL106007L	289	WL108001L	150
WL106001L	32	WL106001L	613	WL106001L	774	WL106001L	868	WL106007L	563	WL108001L	155
WL106001L	322	WL106001L	614	WL106001L	775	WL106001L	869	WL106007L	620	WL108001L	158
WL106001L	33	WL106001L	616	WL106001L	779	WL106001L	870	WL106041	502	WL108001L	162
WL106001L	358	WL106001L	620	WL106001L	783	WL106001L	871	WL106041	746	WL108001L	166
WL106001L	43	WL106001L	624	WL106001L	799	WL106001L	892	WL106047	289	WL108001L	173
WL106001L	444	WL106001L	631	WL106001L	800	WL106001L	902	WL106047L	562	WL108001L	180
WL106001L	450	WL106001L	649	WL106001L	803	WL106001L	903	WL108001L	1004	WL108001L	181
WL106001L	468	WL106001L	652	WL106001L	806	WL106001L	904	WL108001L	1009	WL108001L	200
WL106001L	473	WL106001L	654	WL106001L	813	WL106001L	905	WL108001L	102	WL108001L	203
WL106001L	493	WL106001L	655	WL106001L	814	WL106001L	907	WL108001L	1026	WL108001L	206
WL106001L	501	WL106001L	689	WL106001L	816	WL106001L	937	WL108001L	1029	WL108001L	209
WL106001L	507	WL106001L	690	WL106001L	817	WL106001L	938	WL108001L	103	WL108001L	24
WL106001L	529	WL106001L	707	WL106001L	818	WL106001L	939	WL108001L	1031	WL108001L	245
WL106001L	53	WL106001L	719	WL106001L	819	WL106001L	957	WL108001L	1033	WL108001L	27
WL106001L	530	WL106001L	720	WL106001L	821	WL106001L	966	WL108001L	1046	WL108001L	29
WL106001L	544	WL106001L	730	WL106001L	822	WL106001L	97	WL108001L	106	WL108001L	294
WL106001L	545	WL106001L	732	WL106001L	823	WL106001L	98	WL108001L	1062	WL108001L	296
WL106001L	550	WL106001L	735	WL106001L	827	WL106001L	989	WL108001L	109	WL108001L	30
WL106001L	559	WL106001L	736	WL106001L	83	WL106001L	994	WL108001L	115	WL108001L	302
WL106001L	560	WL106001L	737	WL106001L	830	WL106001L	999	WL108001L	119	WL108001L	303
WL106001L	561	WL106001L	739	WL106001L	833	WL106004	921	WL108001L	127	WL108001L	307
WL106001L	562	WL106001L	755	WL106001L	835	WL106004L	1000	WL108001L	128	WL108001L	309
WL106001L	563	WL106001L	756	WL106001L	839	WL106004L	1005	WL108001L	130	WL108001L	32
WL106001L	568	WL106001L	759	WL106001L	84	WL106004L	1008	WL108001L	132	WL108001L	322
WL106001L	576	WL106001L	763	WL106001L	842	WL106004L	996	WL108001L	135	WL108001L	323
WL106001L	577	WL106001L	764	WL106001L	85	WL106004L	997	WL108001L	136	WL108001L	324
WL106001L	578	WL106001L	765	WL106001L	851	WL106004L	998	WL108001L	137	WL108001L	325
WL106001L	58	WL106001L	766	WL106001L	859	WL106005L	769	WL108001L	141	WL108001L	33





DEFENDER 110 1987 onwards

1141

NUMERICAL INDEX

PART NO	PAGE	PART NO	PAGE	PART NO	PAGE	PART NO	PAGE	PART NO	PAGE	PART NO	PAGE
WL108001L	335	WL108001L	555	WL108001L	769	WL108001L	907	WL110001L	35	WL112001L	348
WL108001L	34	WL108001L	557	WL108001L	773	WL108001L	908	WL110001L	364	WL112001L	359
WL108001L	347	WL108001L	56	WL108001L	78	WL108001L	92	WL110001L	382	WL112001L	507
WL108001L	350	WL108001L	573	WL108001L	798	WL108001L	93	WL110001L	384	WL112001L	508
WL108001L	355	WL108001L	579	WL108001L	80	WL108001L	980	WL110001L	420	WL112001L	79
WL108001L	358	WL108001L	58	WL108001L	800	WL108001L	99	WL110001L	427	WL112201L	325
WL108001L	373	WL108001L	581	WL108001L	817	WL108001L	992	WL110001L	448	WL600041L	556
WL108001L	38	WL108001L	583	WL108001L	819	WL110001	1050	WL110001L	488	WL600051	1027
WL108001L	382	WL108001L	584	WL108001L	820	WL110001	1052	WL110001L	507	WL600051L	551
WL108001L	39	WL108001L	585	WL108001L	822	WL110001	1053	WL110001L	520	WL600061L	359
WL108001L	393	WL108001L	586	WL108001L	827	WL110001	1062	WL110001L	56	WL700101	526
WL108001L	417	WL108001L	588	WL108001L	83	WL110001	417	WL110001L	65	WL700101	552
WL108001L	419	WL108001L	589	WL108001L	830	WL110001L	1026	WL110001L	66	WL700101L	1063
WL108001L	435	WL108001L	590	WL108001L	831	WL110001L	1046	WL110001L	745	WM106001	772
WL108001L	438	WL108001L	591	WL108001L	838	WL110001L	109	WL110001L	748	WM106001	841
WL108001L	44	WL108001L	604	WL108001L	84	WL110001L	116	WL110001L	79	WM106001L	303
WL108001L	443	WL108001L	609	WL108001L	846	WL110001L	131	WL110001L	852	WM106001L	347
WL108001L	45	WL108001L	616	WL108001L	847	WL110001L	139	WL110001L	853	WM106001L	609
WL108001L	450	WL108001L	624	WL108001L	85	WL110001L	158	WL110001L	880	WM106001L	764
WL108001L	478	WL108001L	64	WL108001L	853	WL110001L	163	WL110001L	89	WM106001L	766
WL108001L	488	WL108001L	66	WL108001L	859	WL110001L	177	WL110001L	90	WM106001L	767
WL108001L	511	WL108001L	685	WL108001L	86	WL110001L	183	WL110001L	909	WM106001L	778
WL108001L	512	WL108001L	706	WL108001L	865	WL110001L	203	WL110001LD	359	WM106001L	779
WL108001L	514	WL108001L	719	WL108001L	866	WL110001L	207	WL110301L	36	WM106001L	839
WL108001L	515	WL108001L	721	WL108001L	87	WL110001L	256	WL112001L	1026	WM110001L	436
WL108001L	522	WL108001L	744	WL108001L	877	WL110001L	28	WL112001L	131	WM110001L	441
WL108001L	524	WL108001L	75	WL108001L	879	WL110001L	305	WL112001L	177	WM110001L	442
WL108001L	53	WL108001L	755	WL108001L	902	WL110001L	306	WL112001L	28	WM600041L	1012
WL108001L	546	WL108001L	76	WL108001L	903	WL110001L	325	WL112001L	304	WM600041L	1014
WL108001L	549	WL108001L	765	WL108001L	905	WL110001L	349	WL112001L	325	WM600041L	255





## DEFENDER 110 1987 onwards

1142

## NUMERICAL INDEX

PART NO	PAGE	PART NO	PAGE	PART NO	PAGE	PART NO	PAGE	PART NO	PAGE	PART NO	PAGE
WM600041L	257	WM600051L	476	WM702001L	694	YEB10026	721	ZXC9386	858	18G8619L	111
WM600041L	260	WM600051L	509	WM702001L	911	YEB10027	720	ZXC9387	858	18G8619L	60
WM600041L	268	WM600051L	583	WM702001L	994	YEB10027	721	1H106301	632	18G8951L	488
WM600041L	270	WM600051L	632	WM704001L	673	YGA2682L	928	10211	672	18G8953L	488
WM600041L	271	WM600051L	702	WP105L	581	YGA2682L	932	10802070	141	2K8686L	480
WM600041L	277	WM600051L	765	WP105L	583	YGA2682L	936	10802070	92	201235	788
WM600041L	299	WM600051L	768	WP105L	585	YGA451L	803	11H1781L	473	201235	792
WM600041L	49	WM600051L	783	WP105L	589	YGA451L	806	11011L	460	20138	1013
WM600041L	558	WM600051L	841	WP105L	590	YQG10007	691	11820L	502	20138	992
WM600041L	599	WM600061	407	WP185	768	YQG10008	691	12H220L	102	20147	1013
WM600041L	991	WM600061	409	WP185L	325	YQG10011L	691	12H220L	150	20147	992
WM600051L	1034	WM600061L	1044	WP185L	522	YUJ10037L	713	13H1515L	103	201647	788
WM600051L	105	WM600061L	266	WP185L	592	YWB10027L	697	13H1515L	546	213700	37
WM600051L	154	WM600061L	268	WP185L	593	YWB10027L	714	13H2023L	318	213961	176
WM600051L	199	WM600061L	283	WP185L	827	YWB10027L	715	13H2023L	320	213961	23
WM600051L	204	WM600061L	293	WS105001	604	YWB10032L	695	13H2475L	918	213961	255
WM600051L	256	WM600061L	294	WS106001	1046	YWB10032L	696	13H2475L	945	213961	35
WM600051L	258	WM600061L	295	WS108001L	544	YWB10032L	697	13H2475L	950	213961	74
WM600051L	259	WM600061L	296	WS108001L	776	YWB10032L	709	13H489L	774	213961	89
WM600051L	260	WM600061L	297	WS600041L	1044	YWB10032L	714	13H7343L	627	214228	49
WM600051L	271	WM600061L	480	WS600041L	604	YWB10032L	717	13H7343L	628	214229	49
WM600051L	276	WM600061L	516	WS600047L	604	YWC10050L	716	13H9157	707	216708	556
WM600051L	283	WM600071	1061	WS600051	544	YWT10003	717	139082	479	216962	368
WM600051L	287	WM600071L	256	WS600061	776	YWZ10003L	716	150844	729	216962	369
WM600051L	292	WM600071L	827	WS600091	816	ZXC9117	725	154545	257	216962	388
WM600051L	293	WM702001	675	WW104001	753	ZXC9118	725	154545	267	216962	391
WM600051L	294	WM702001L	1013	WZX1505	275	ZXC9119	725	156206	669	217245	452
WM600051L	295	WM702001L	252	XBL10003L	716	ZXC9120	725	1643	1061	217245	454
WM600051L	436	WM702001L	270	XQJ10002	728	ZXC9121	725	17H2475L	815	217245	456
WM600051L	439	WM702001L	281	YEB10026	720	ZXC9328	725	17H8764L	507	217245	458





## DEFENDER 110 1987 onwards

1143

## NUMERICAL INDEX

PART NO	PAGE	PART NO	PAGE	PART NO	PAGE	PART NO	PAGE	PART NO	PAGE	PART NO	PAGE
217245	749	232039	362	235113	720	242522	401	247040	93	247723	141
217325	1061	232039	429	235113	721	243618	1013	247051	141	247723	92
217352	420	232039	430	235113	772	243958	44	247051	37	247726	102
217353	420	232039	90	235113	774	243958	520	247051	92	247726	150
219704	1043	232042	237	235770	128	243958	522	247127	124	247737	142
22G1988L	323	232042	309	235770	174	243958	524	247127	126	247737	93
22G1988L	344	232042	336	235770	25	243959	124	247127	171	247738	142
22G1989L	323	232042	337	235770	76	243959	146	247127	213	247738	93
22G1989L	344	232042	364	236022	270	243959	185	247127	22	247742	34
2204L	272	232042	384	236070	418	243959	22	247127	23	247755	72
2215L	444	232043	270	236074	1062	243959	43	247127	72	247766	257
2215L	510	232043	271	236257	137	243959	72	247127	74	247766	29
2217L	283	232044	137	236257	181	243959	98	247153	142	247874	146
2217L	292	232044	181	236257	34	243960	141	247153	93	247874	43
2222	747	232044	34	236257	87	243960	92	247179	102	247874	98
2265L	522	232044	87	236408	176	243967	264	247179	150	247965	124
2265L	524	232046	136	236548	1062	243968	264	247212	58	247965	22
2266L	115	232046	33	236632	407	244009	1063	247554	24	247965	72
2266L	162	232046	83	2393	790	244487	138	247555	173	250053	1046
2266L	206	232046	84	2393	799	244487	182	247555	189	250830	140
2266L	504	232046	85	2393	800	244487	34	247555	96	250830	91
2266L	64	232046	86	239600	276	244487	88	247583	129	252164	452
230313	145	233220	479	239600	609	244488	138	247583	77	252164	747
230313	190	233243	673	239673	485	244488	181	247614	39	252513	251
230313	42	233244	675	239673	486	244488	34	247665	138	252514	270
230313	97	234532	399	240407	475	244488	88	247665	182	252516	258
230511	418	234532	401	240407	489	245003	58	247665	34	252516	259
232039	139	234957	509	240407	490	246109	1055	247665	88	252623	273
232039	358	235113	674	240708	476	247040	142	247683	141	253942	277
232039	36	235113	719	242522	399	247040	39	247683	92	253952	435







## DEFENDER 110 1987 onwards

1144

## NUMERICAL INDEX

PART NO	PAGE	PART NO	PAGE	PART NO	PAGE	PART NO	PAGE	PART NO	PAGE	PART NO	PAGE
253952	440	267837	525	275679	141	301321	894	303975	818	307419	992
253952	747	269257	694	275679	38	301321	896	304125	1001	307420	1013
253963	452	269783	476	275679	92	301321	897	304125	961	307420	992
255227	1034	269783	477	276396	1043	301321	899	304125	999	3101	523
257017	252	27H2403L	673	276426	568	301328	831	304301	902	3101	525
257064	270	27H5311	710	276426	569	301343	893	304301	903	312028	1013
257071	277	27H8207L	669	276484	399	301343	895	304301	905	312856	678
257203	673	272632	476	277956	142	301343	897	304301	907	320045	757
257302	674	272712	476	277956	39	301343	899	304797	893	320045	838
257450	798	272712	477	277956	93	301347	992	304797	895	320608	678
257450	817	272713	476	2790	1073	301476	1000	304797	897	320674	998
264024	437	272713	477	279648	37	301476	998	304797	899	320699	959
264024	443	272714	476	2995	145	302177	857	3052	476	320719	1006
264590	674	272714	477	2995	42	302177	868	305232	794	320726	959
264590	675	272819	476	2995	97	302178	857	305232	814	3259	407
264591	672	272819	477	3H822L	849	302178	868	305232	837	3261	452
264591	674	273069	102	300816	749	302373	790	306287	857	3261	454
264591	675	273069	143	300953	894	302532	777	306287	862	3261	456
264591	676	273069	144	300953	896	302532	778	306289	857	3261L	458
264591	678	273069	150	300953	897	302532	838	306289	862	3290	251
264591	679	273069	187	300953	899	302532	868	306289	864	3290	348
264767	479	273069	233	300954	894	302532	870	306295	794	3290	417
265175	26	273069	40	300954	896	302648	1001	306316	1013	3291	417
265295	678	273069	41	300954	897	302648	997	306316	992	3292	305
266945	129	273069	94	300954	899	302933	1044	306564	790	3292	306
266945	175	273069	95	301005	997	302934	1044	306564	799	3292	349
266945	216	273370	276	301320	894	3036L	273	306564	800	3292	358
266945	77	273521	102	301320	896	3036L	293	307418	1013	3292	418
267604	270	273521	150	301320	897	303847	1044	307418	992	330271	829
267837	523	275234	31	301320	899	303847	1046	307419	1013	330366	824





DEFENDER 110 1987 onwards

1145

NUMERICAL INDEX

PART NO	PAGE	PART NO	PAGE	PART NO	PAGE	PART NO	PAGE	PART NO	PAGE	PART NO	PAGE
330553	902	331249	893	332672	1045	334611	860	338554	859	346786	726
330553	903	331249	895	332672	1046	334614	826	338554	865	346796	666
330553	905	331273	961	332674	1045	334615	869	339935	893	346804	1012
330578	900	331480	953	332674	1046	334966	760	339935	895	346849	775
330578	904	331481	953	332942	813	336288	994	339935	899	346878	799
330578	906	331481	955	333032	797	336294	994	339986	960	346894	629
330579	900	331670	954	333033	797	336294	996	345100	1030	346924	628
330579	904	331670	955	333034	797	336535	776	345100	1031	346941	752
330579	906	331673	904	333035	797	336577	827	345100	1032	346976	629
330602	1046	331674	904	333036	798	336780	953	345101	1030	347151	813
330615	832	331675	904	333203	801	336780	954	345101	1031	347343	989
330699	902	331676	904	333263	838	336781	953	345101	1032	347344	989
330699	903	331709	958	333486	826	336781	954	345213	958	347369	789
330699	905	331709	989	333487	860	337812	763	345597	674	347369	793
330790	825	331709	990	333490	856	337813	763	345597	675	347436	765
330791	825	331835	1001	333551	1004	337859	959	345683	1003	347553	961
330896	902	331835	998	333745	839	337873	958	345683	1006	347586	628
330896	903	331974	960	334121	752	337880	958	345683	1010	347594	819
330896	905	332146	835	334177	1002	337899	959	345683	999	347844	1034
330897	903	332147	814	334245	904	338013	478	345699	902	347861	995
330897	905	332201	859	334245	906	338015	750	345699	903	347862	995
330897	907	332201	865	334246	904	338015	762	345699	905	347863	995
331083	449	332215	856	334246	906	338017	762	345699	907	347866	1046
331221	894	332215	860	334540	1005	338023	689	345937	1027	347869	960
331221	896	332293	859	334540	1007	338023	751	345985	1063	347939	628
331221	897	332293	866	334601	1004	338028	762	346341	798	348430	904
331221	899	332355	960	334601	1008	338550	865	346341	817	348430	960
331222	894	332582	830	334610	856	338552	859	346410	961	348430	962
331222	896	332582	837	334610	860	338552	865	346576	752	348747	450
331222	897	332647	750	334611	856	338553	866	346722	450	349514	990





## DEFENDER 110 1987 onwards

1146

## NUMERICAL INDEX

PART NO	PAGE	PART NO	PAGE	PART NO	PAGE	PART NO	PAGE	PART NO	PAGE	PART NO	PAGE
349515	991	37H8119L	103	395143	903	396800	896	4589L	84	501593	74
349516	1013	37H8119L	546	395143	905	396800	897	4589L	86	502116	118
349516	991	371144	1038	395185	752	396800	899	4594	553	502116	165
349529	990	371144	1041	395191LCS	921	396950	942	4594L	134	502116	209
349931	799	372336	890	395249	1030	396951	942	4594L	270	502116	245
349931	958	3830L	1034	395252	1031	3972	525	4594L	283	502116	66
349931	959	3830L	707	395252	1033	3982L	1044	4594L	294	502473	143
349931	990	3830L	990	395294	813	398776	818	4594L	296	502473	187
349943	960	3842	1044	395294	819	4034L	689	4594L	476	502473	228
349955	990	3852L	1013	395413	841	4067	286	4594L	82	502473	40
349996	957	3852L	922	395463	819	4075L	257	4866L	286	502473	94
349997	959	3887	774	395586	1028	4075L	957	4866L	294	502951	526
349998	959	3890	523	395587	1028	4075L	968	4868L	292	503352	709
351991	774	3890	525	395829	629	4075L	969	4868L	719	503805	351
3547	893	3898	744	395829	666	4075L	971	4868L	721	503805	352
359526	566	3900L	483	395830	629	4075L	972	4905	452	503805	353
359526	567	3900L	777	395830	666	4075L	977	4905	454	504006	124
367078	664	3900L	778	396416	926	4095	110	4905	455	504006	22
37H3694L	729	3900L	991	396540	953	4095	159	4905	458	504006	72
37H4558L	377	390939	226	396541	950	4095	57	500201	479	504233	527
37H4558L	397	390939	690	396541	953	4233	1052	500447	520	50446	476
37H5208L	729	391287	775	396542	950	4233	749	500746	436	50446	477
37H575L	103	392743	792	396542	953	4421	258	500746	441	50446	478
37H575L	546	393218	774	396696	1000	4421	259	501593	124	504673	527
37H770	549	395037	813	396696	998	4580	827	501593	126	505205	729
37H770L	103	395041	817	396697	1005	4589L	135	501593	171	50641	276
37H770L	546	395078	813	396697	1007	4589L	136	501593	213	507829	143
37H7920	546	395141	712	396698	1005	4589L	180	501593	22	507829	40
37H7920	549	395141	815	396739	997	4589L	261	501593	23	507829	94
37H8119	549	395143	902	396800	894	4589L	33	501593	72	508571	1062





## DEFENDER 110 1987 onwards

1147

## NUMERICAL INDEX

PART NO	PAGE	PART NO	PAGE	PART NO	PAGE	PART NO	PAGE	PART NO	PAGE	PART NO	PAGE
509045P	1062	521452	281	528004	26	538132	215	546798	40	552818	436
509045P	399	521452	485	53K3039L	761	538132	25	546799	143	552818	441
509045P	401	521453	281	531586	669	538132	76	546799	187	552819	437
51K400IL	711	522745	138	531604	707	538134	128	546799	228	552819	443
510267	545	522745	34	531689	482	538134	174	546799	94	554621	37
512646	49	522745	88	531893	509	538134	25	546841	78	554880	283
513171	44	52278	58	532387	130	538134	76	548169	509	554971	110
515060	673	522932	270	532387	176	538890L	481	549229	399	554971	159
515466	377	522932	484	532387	27	539706	410	549229	401	554971	57
515466	397	522940	103	532387	78	539706	412	549230	410	557523	31
515467	377	522940	546	532736	707	539707	407	549232	410	559625	545
515467	397	522940	549	532943	322	539707	409	549234	410	559636	1054
515468	377	523203	276	533765	369	539718	406	549236	410	559882	747
515468	397	524765	140	533765	391	539720	406	549238	410	560553	1058
515470	377	524765	184	534790	275	539722	406	549240	410	560553	1060
515470	397	524765	225	534897	270	539724	406	549242	410	561195	404
517646	729	524765	233	535068	1056	539745	407	549244	410	561195	405
517689	103	524765	37	536577	124	539745	409	549246	410	561196	404
517689	546	524765	91	536577	72	541010	127	549248	410	561196	405
517689	549	525389	39	538039	132	541010	189	549250	410	562019	1043
517706	103	525428	147	538039	178	541010	75	549252	410	562481	475
517706	534	525428	192	538039	29	542636	29	549473	421	562481	482
517706	546	525428	99	538039	80	542846	539	549473	422	562748	549
517706	549	525497	140	538131	128	542846	542	549473	427	562756	1054
517976	103	525497	184	538131	174	543301	1042	549473	428	562756	749
517976	149	525497	225	538131	215	543589	38	549611	58	562979	604
517976	150	525497	37	538131	25	543589	575	549702	37	563190	103
517976	546	525497	91	538131	76	543765	527	549911	253	563190	546
519965	521	525569	707	538132	128	543767	527	550732	479	563195	102
520160	729	527269	22	538132	174	543819	463	551508	712	564258	268





## DEFENDER 110 1987 onwards

1148

## NUMERICAL INDEX

PART NO	PAGE	PART NO	PAGE	PART NO	PAGE	PART NO	PAGE	PART NO	PAGE	PART NO	PAGE
564307	44	568680	429	570822	672	571468	388	572168	581	576159	408
564308	147	568680	430	570822	673	571468	391	572168	583	576203	303
564308	45	568680	431	570822	674	571536	364	572168	585	576203	331
564308	99	568680	489	570822	675	571536	384	572168	589	576203	347
564332E	102	568680	490	570829	673	571665	369	572168	590	576220	349
564332E	150	568680	492	571043	357	571665	391	572312	597	576236	411
564455	137	568680	614	571134	334	571682	369	572312	599	576237	411
564455	181	568680	696	571134	350	571682	391	572548	489	576238	411
564455	34	568680	700	571134	382	571718	414	572548	490	576239	411
564455	87	568680	702	571142	351	571752	422	572839	527	576303	1061
564456	137	568680	703	571146	323	571752	428	572994	551	576476	299
564456	181	568680	704	571146	357	571755	416	573246	677	576557	66
564456	34	568686	37	571146	371	571944	349	573246	702	576723	303
564456	87	568687	37	571146	372	571970	369	573246	720	576723	331
564724	620	568688	140	571146	390	571970	391	573246	721	576723	347
564813	478	568688	91	571146	392	572077	452	573289	660	576973	509
564816	478	568689	140	571158	357	572077	454	573289	709	577458	276
565540	619	568788	111	571160	303	572077	455	574469	29	577458	570
565847	707	568788	60	571160	331	572077	457	574654	147	577458	573
56667	491	568858	463	571160	347	572087	436	574654	99	577458	574
566724L	571	568883	476	571161	303	572166	581	575014	707	577458	576
566902	628	568883	477	571161	331	572166	583	575047	729	577458	577
567959	717	569006	525	571161	347	572166	585	575615	439	577458	578
568333	25	569291	478	571163	303	572166	589	575616	439	577458	579
568431	118	569522	448	571163	331	572166	590	575707	435	577459	573
568431	165	569701	476	571163	347	572167	581	575882	444	577459	579
568431	209	569714	489	571174	1062	572167	583	576137	303	577643	480
568431	245	569714	490	571439	323	572167	586	576137	331	577703	444
568630	430	570351	729	571468	368	572167	589	576137	347	577846	252
568630	431	570753	694	571468	369	572167	590	576159	406	577873	502





## DEFENDER 110 1987 onwards

1149

## NUMERICAL INDEX

PART NO	PAGE	PART NO	PAGE	PART NO	PAGE	PART NO	PAGE	PART NO	PAGE	PART NO	PAGE
577873	504	591227	349	594594	562	597586	324	602146	364	602687	271
577873	505	591231	302	594594	567	597586	344	602146	384	602687	43
577873	506	591394	350	594637	613	597586	72	602148	267	602687	98
577898	462	591519	355	594637	614	597586	74	602152	251	602910	264
577898	463	591988	302	594637	616	598006	270	602152	270	602912	264
578023	551	592324	488	594637	618	599552	130	602153	267	602913	264
578293	534	592326	575	594637	652	599552	27	602154	267	602953	288
578620	270	592358	479	594637	655	599552	363	602172	267	603031	266
579085	711	592443	491	594753	527	599552	383	602186	267	603127	268
579409	1058	592445	439	594946	452	599552	78	602191	266	603184	268
579409	1060	592513	1042	594946	454	599945	410	602192	266	603224	270
586438	680	592514	1042	594946	455	599945	412	602193	266	603224	271
586440	268	592773	443	594946	457	600226L	669	602199	255	603237	485
586440	334	593692	410	594947	452	600265	454	602200	266	603277	270
587405	135	593692	412	594947	454	600265	457	602200	295	603301	253
587405	136	593693	410	594947	455	602040	265	602201	257	603330	280
587405	292	593693	412	594947	457	602061	254	602212	251	603378	267
587405	44	593802	357	595199	463	602067	264	602236	272	603428	260
587405	45	594087	335	595199	604	602070	255	602289	140	603431	539
589026	674	594091	330	595478	358	602071	264	602289	265	603431	542
589026	675	594134	335	595478	362	602076	272	602289	91	603441	270
589143	673	594493	410	595478	429	602082	254	602388	257	603446	288
589202	674	594594	276	595478	430	602097	267	602411	253	603535	253
589254	276	594594	278	595478	431	602098	266	602512	268	603554	265
589284	672	594594	279	596490	45	602099	272	602545	252	603561	270
589285	672	594594	429	597586	124	602123	265	602582	260	603622	281
589452	693	594594	430	597586	126	602130	251	602587	253	603659	176
589783	669	594594	431	597586	171	602141	251	602609	254	603659	255
589783	670	594594	481	597586	22	602142	267	602634	276	603672	271
589783	671	594594	554	597586	23	602146	251	602687	146	603672	288





## DEFENDER 110 1987 onwards

1150

## NUMERICAL INDEX

PART NO	PAGE	PART NO	PAGE	PART NO	PAGE	PART NO	PAGE	PART NO	PAGE	PART NO	PAGE
603673	288	607168	426	608246	406	612064	275	614718	204	6397	351
603675	268	607169	426	608246	408	612435	276	614718	287	6860L	475
603713	263	607173	425	608246	425	612898	251	614866	555	73037	920
603713	285	607177	426	608311	673	612989	253	614866	557	7316	411
603734	267	607178	426	608312	673	613087	260	614891	277	73198	1006
603796	265	607179	426	608395	297	613402	280	614891	555	77869	922
603851	553	607180	426	608395	65	613540	287	614891	557	77869	994
603887	573	607181	425	608400	509	613601	557	614892	555	77932	674
603887	574	607182	425	61K738	476	613620	293	614939	292	77941	526
603962	552	607183	425	61K738	477	613671	253	622324	334	78122	539
605011	546	607185	425	61K738	478	613718L	280	622324	358	78159	796
605011	549	607187	426	610178	253	613857	288	622324	430	78210	731
605012	103	607188	426	610246	270	613910	485	622324	431	78210	733
605013	103	607189	426	610289	269	613910	486	622388	356	78210	734
606168	562	607190	426	610489	252	613915	484	624091	146	78210	736
606168	571	607191	426	610578	260	613915	485	624091	185	78210	737
606211	674	607197	426	611019	253	613915	486	624091	226	78227	476
608247	551	607357	425	611089	251	613916	485	624091	43	78227	477
606474	372	607567	461	611092	278	613916	486	624091	98	78237	960
606474	392	608000	461	611092	279	614037	264	625038	268	78237	961
606544	460	608004	672	611092	554	614106	283	634604	807	78248	1004
606545	460	608004	674	611097	278	614154	287	634604	808	78248	1038
606551	459	608065	460	611097	279	614188	269	634604	810	78248	1040
606666	417	608066	459	611097	554	614202	264	634604	811	78248	1041
606666	419	608246	324	611110	575	614443	273	6395L	132	78248	1045
606733	330	608246	349	611323	299	614538L	281	6395L	178	78248	1046
607163	425	608246	363	611351	280	614585	252	6395L	219	78248	1064
607165	426	608246	383	611514	264	614617	489	6395L	29	78248	1065
607166	426	608246	404	611659L	267	614617	490	6395L	299	78248	1066
607167	426	608246	405	611786	271	614670	263	6395L	80	78248	517





## DEFENDER 110 1987 onwards

1151

## NUMERICAL INDEX

PART NO	PAGE	PART NO	PAGE	PART NO	PAGE	PART NO	PAGE	PART NO	PAGE	PART NO	PAGE
78248	747	78248	954	79122	530	79246	937	90518466	141	90576928	418
78248	759	78248	994	79122	531	79246	938	90518466	92	90577473	1044
78248	761	78384	1063	79122	533	79281	831	90519054	124	90577473	1046
78248	777	78593	268	79122	542	79283	831	90519054	22	90577473	433
78248	784	78782	257	79122	576	79283	837	90519054	72	90577473	892
78248	791	78832	856	79122	577	79289	831	90519055	124	90577509	749
78248	799	78832	860	79122	578	79289	837	90519055	126	90577642	480
78248	800	78861	268	79122	579	79293	831	90519055	171	90577704	444
78248	816	78862	252	79123	429	79293	837	90519055	213	90602025	253
78248	819	78862	268	79123	430	8G7019L	377	90519055	22	90602064	264
78248	823	79004	429	79123	431	8G7019L	397	90519055	23	90602072	264
78248	824	79004	430	79123	479	8G8837L	479	90519055	72	90602202	257
78248	829	79004	431	79127	496	850641	520	90519055	74	90602372	253
78248	830	79004	502	79127	498	8566L	128	90568054	191	90607170	426
78248	831	79026	189	79127	501	8566L	174	90568054	271	90608545	425
78248	832	79026	96	79127	502	8566L	215	90571086	349	90611504	272
78248	833	79027	230	79127	504	8566L	25	90571104	307	90611812	266
78248	834	79051	669	79127	505	8566L	76	90571104	308	90613049	56
78248	836	79051	670	79127	506	90301332	893	90571104	349	90613442	294
78248	837	79051	671	79134	552	90301332	895	90575015	707	90613913	485
78248	838	79051	781	79134	995	90301332	899	90575511	583	90613913	486
78248	842	79086	665	79134	996	90306199	1013	90575585	325	90614584	266
78248	843	79086	818	79158	529	90508035	1038	90575585	359		
78248	870	79106	752	79158	530	90508545	522	90575597	463		
78248	892	79118PH	918	79158	531	90508545	524	90575748	581		
78248	900	79121	475	79158	533	90513220	280	90575748	583		
78248	904	79121	482	79158	576	90513454	407	90575748	589		
78248	906	79121	530	79158	577	90513454	409	90575789	438		
78248	923	79121	539	79158	578	90517711	103	90575878	444		
78248	953	79121	542	79221	789	90517711	546	90575977	608		











**LAND ROVER  
PARTS**

**Land Rover Parts** Lode Lane, Solihull, West Midlands, B92 8NW, England. Tel:- 021 722 2424